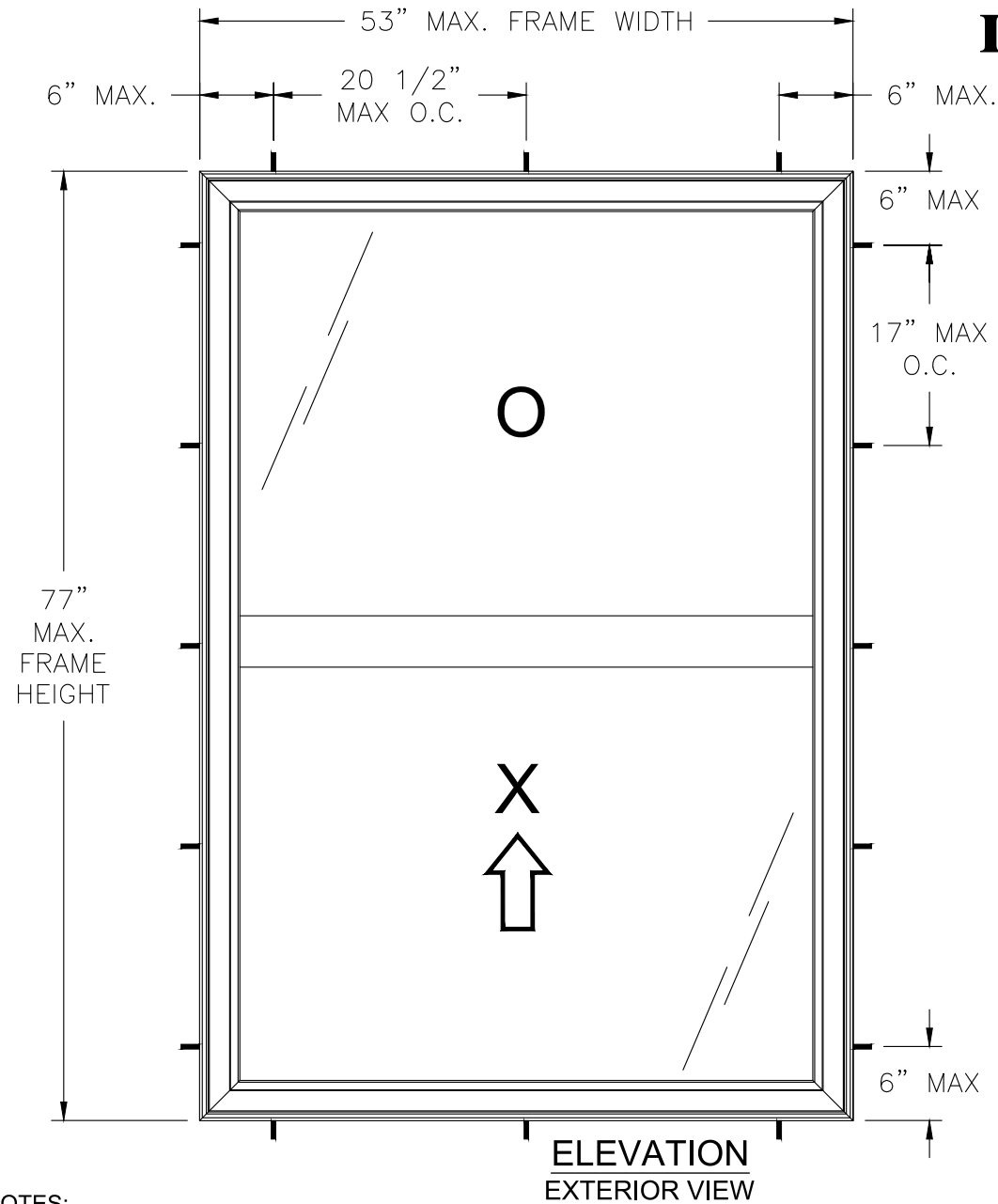


# REGENCY PLUS, INC.

## SERIES 2000 VINYL TILT SINGLE HUNG WINDOW

### INSTALLATION ANCHORAGE DETAILS



**NOTES:**

1. MAXIMUM TOP FIXED LITE SIZE.: 47-1/2" X 33-1/4".
2. MAXIMUM BOTTOM SASH SIZE: 50" X 37" WITH D.L.O. 46-1/2" X 33-1/4".
3. (1) 1/2" X 1/2" TRIANGULAR WEEP HOLE AT EACH END OF CENTER SILL LEG.
4. (1) 1-1/2" X 1/4" WEEP HOLE WITH PLASTIC WEEP COVER AT 2-3/4" FROM EACH END EXTERIOR SILL FACE
5. (1) 3/4" X 1/4" WEEP HOLE AT EACH END OF EXTERIOR SILL TRACK AND THROUGH EXTERIOR HORIZONTAL SILL FACE.
6. (1) 1/2" X 1/4" WEEP HOLE AT EACH END OF GLAZING CHANNELS OF EXTERIOR MEETING RAIL AND BOTTOM RAIL.
7. (1) 1/4" X 1/4" WEEP HOLE AT EACH END OF EXTERIOR MEETING RAIL AND BOTTOM RAIL.

HARDWARE SCHEDULE	
A.	(1) METAL CAM-TYPE SWEEP LOCK 12" FROM EACH END OF INTERIOR MEETING RAIL
B.	(1) METAL KEEPER AT EXTERIOR MEETING STILE
C.	(1) PLASTIC TILT LATCH AT EACH END OF INTERIOR MEETING RAIL AND TOP RAIL
D.	(1) T-SHAPED METAL PIVOT BAR AT EACH END OF INTERIOR BOTTOM RAIL
E.	(1) STEEL REINFORCEMENT AT INTERIOR TOP RAIL SASH

**NOTES:**

1. THE PRODUCT SHOWN HEREIN IS DESIGNED AND MANUFACTURED TO COMPLY WITH REQUIREMENTS OF THE CURRENT FLORIDA BUILDING CODE EXCLUDING THE HIGH VELOCITY HURRICANE ZONE (HVHZ).
2. WOOD FRAMING, 2X WOOD BUCK, METAL FRAMING AND CONCRETE/MASONRY OPENING TO BE DESIGNED AND ANCHORED TO PROPERLY TRANSFER ALL LOADS TO STRUCTURE. FRAMING AND CONCRETE/MASONRY OPENING IS THE RESPONSIBILITY OF THE ARCHITECT OR ENGINEER OF RECORD.
3. 1X BUCK OVER CONCRETE/MASONRY IS OPTIONAL. WHERE 1X BUCKS ARE USED, INSTALLATION ANCHORS WILL PASS THROUGH WINDOW FRAME AND 1X BUCK INTO CONCRETE/MASONRY SUBSTRATE. WHERE 1X BUCK IS NOT USED, INSTALLATION ANCHORS WILL PASS THROUGH WINDOW FRAME INTO CONCRETE/MASONRY SUBSTRATE. DISSIMILAR MATERIALS MUST BE SEPARATED WITH APPROVED COATING OR MEMBRANE. SELECTION OF COATING OR MEMBRANE IS THE RESPONSIBILITY OF THE ARCHITECT OR ENGINEER OF RECORD.
4. THE PRODUCT SHOWN HEREIN HAS BEEN TESTED TO AAMA/NWDA 101/I.S.2-97. SEE TEST REPORT NO. NCTL-210-2728-1 DATED 1/11/02 BY NATIONAL CERTIFIED TESTING LABORATORIES, ORLANDO, FL FOR DETAILS.
5. MATERIAL:
  - 5.1. FRAME: EXTRUDED RIGID PVC.
  - 5.2. REINFORCEMENT: GALVANIZED STEEL TUBE - TOP SASH RAIL.
6. GLAZING:
  - 6.1. GLAZING DETAIL AS TESTED: 7/8" NOMINAL O.A. IGU COMPRISED OF 2 LITES OF 3/16" TEMPERED GLASS AND DESICCANT STEEL SPACER. SASH INTERIOR GLAZED WITH TWO (2) LEAF DUAL DUROMETER BACK-BEDDING AND A SNAP-IN TWO (2) LEAF DUAL DUROMETER GLAZING BEAD. THE TOP FIXED LITE INTERIOR GLAZED USING DOUBLE SIDED ADHESIVE FOAM TAPE BACK-BEDDING AND A SNAP IN DOUBLE LEAFED DUAL DUROMETER RIGID VINYL GLAZING BEAD.
  - 6.2. AS TESTED GLAZING MEETS ASTM E1300-09a FOR THE DESIGN CONDITIONS SHOWN IN THIS PRODUCT APPROVAL DOCUMENT.
  - 6.3. ALTERNATE GLAZING MEETING THE REQUIREMENTS OF AAMA/WDMA/CSA 101/I.S.2/A440 SHALL BE ALLOWED PER ASTM E1300.
7. APPROVED IMPACT PROTECTIVE SYSTEM IS REQUIRED FOR THIS PRODUCT IN WIND BORNE DEBRIS REGIONS.
8. SHIM AS REQUIRED AT EACH INSTALLATION ANCHOR WITH LOAD BEARING SHIM. SHIM WHERE SPACE OF 1/16" OR GREATER OCCURS. MAXIMUM ALLOWABLE SHIM STACK TO BE 1/4".
9. FOR ANCHORING INTO CONCRETE/MASONRY USE 3/16" HEX HEAD TAPCONS WITH SUFFICIENT LENGTH TO ACHIEVE A 1 1/2" MINIMUM EMBEDMENT INTO CONCRETE WITH 1 1/8" MINIMUM EDGE DISTANCE AND 1" MINIMUM EMBEDMENT INTO MASONRY WITH 2" MINIMUM EDGE DISTANCE. LOCATE ANCHORS AS SHOWN IN ELEVATIONS AND INSTALLATION DETAILS. ANCHOR LOCATIONS HAVE +/- 1" TOLERANCE.
10. FOR ANCHORING INTO WOOD FRAMING OR 2X BUCK USE #10 PAN HEAD WOOD SCREWS WITH SUFFICIENT LENGTH TO ACHIEVE A 1 3/8" MINIMUM EMBEDMENT INTO SUBSTRATE WITH 3/4" MINIMUM EDGE DISTANCE. LOCATE ANCHORS AS SHOWN IN ELEVATIONS AND INSTALLATION DETAILS. ANCHOR LOCATIONS HAVE +/- 1" TOLERANCE.
11. FOR ANCHORING INTO METAL STRUCTURE USE #10 PAN OR HEX HEAD SMS OR SELF DRILLING SCREWS WITH SUFFICIENT LENGTH TO ACHIEVE 3 THREADS MINIMUM BEYOND STRUCTURE INTERIOR WALL WITH 3/4" MINIMUM EDGE DISTANCE. LOCATE ANCHORS AS SHOWN IN ELEVATIONS AND INSTALLATION DETAILS. ANCHOR LOCATIONS HAVE +/- 1" TOLERANCE.
12. ALL FASTENERS TO BE CORROSION RESISTANT.
13. INSTALLATION ANCHORS SHALL BE INSTALLED IN ACCORDANCE WITH ANCHOR MANUFACTURER'S INSTALLATION INSTRUCTIONS AND ANCHORS SHALL NOT BE USED IN SUBSTRATES WITH STRENGTHS LESS THAN THE MINIMUM STRENGTH SPECIFIED BELOW:
  - 13.1. WOOD - MINIMUM SPECIFIC GRAVITY (G) OF 0.42
  - 13.2. CONCRETE - MINIMUM COMPRESSIVE STRENGTH OF 2500 PSI
  - 13.3. MASONRY - STRENGTH CONFORMANCE TO ASTM C-90, MEDIUM WEIGHT WITH DENSITY > 117 PCF
  - 13.4. METAL STRUCTURE: STEEL 18GA (0.0428"), 33KSI OR ALUMINUM 6063-T5 0.048" THICK MINIMUM

TABLE OF CONTENT	
SHEET	DESCRIPTION
1	ELEVATION, ANCHORING AND NOTES
2	INSTALLATION DETAILS

DESIGN PRESSURE RATING (PSF)	IMPACT RATING
+40.0/-40.0	NONE

PROJECT #417-0906

DATE	BY
1/22/18	RJA
DESCRIPTION	REVISION
UPDATE TO CURRENT EDITION OF FBC	C

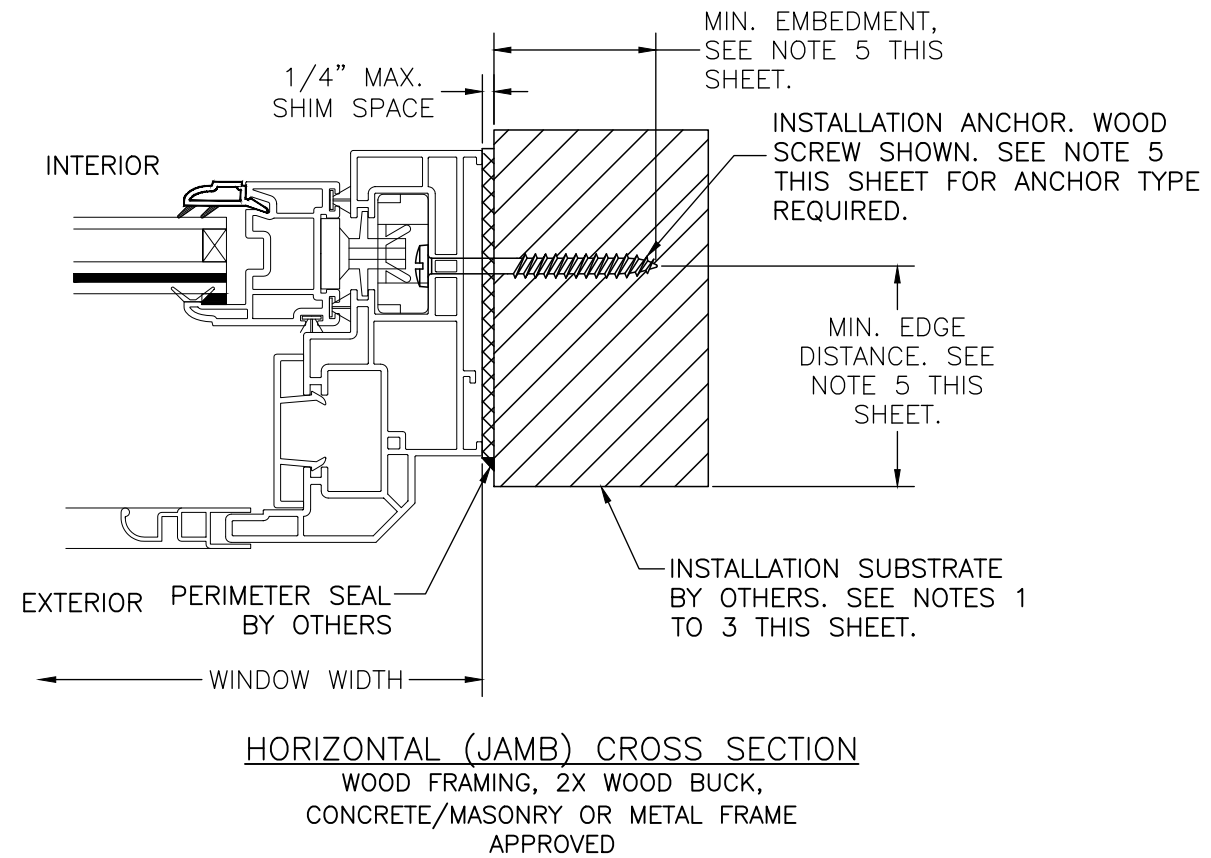
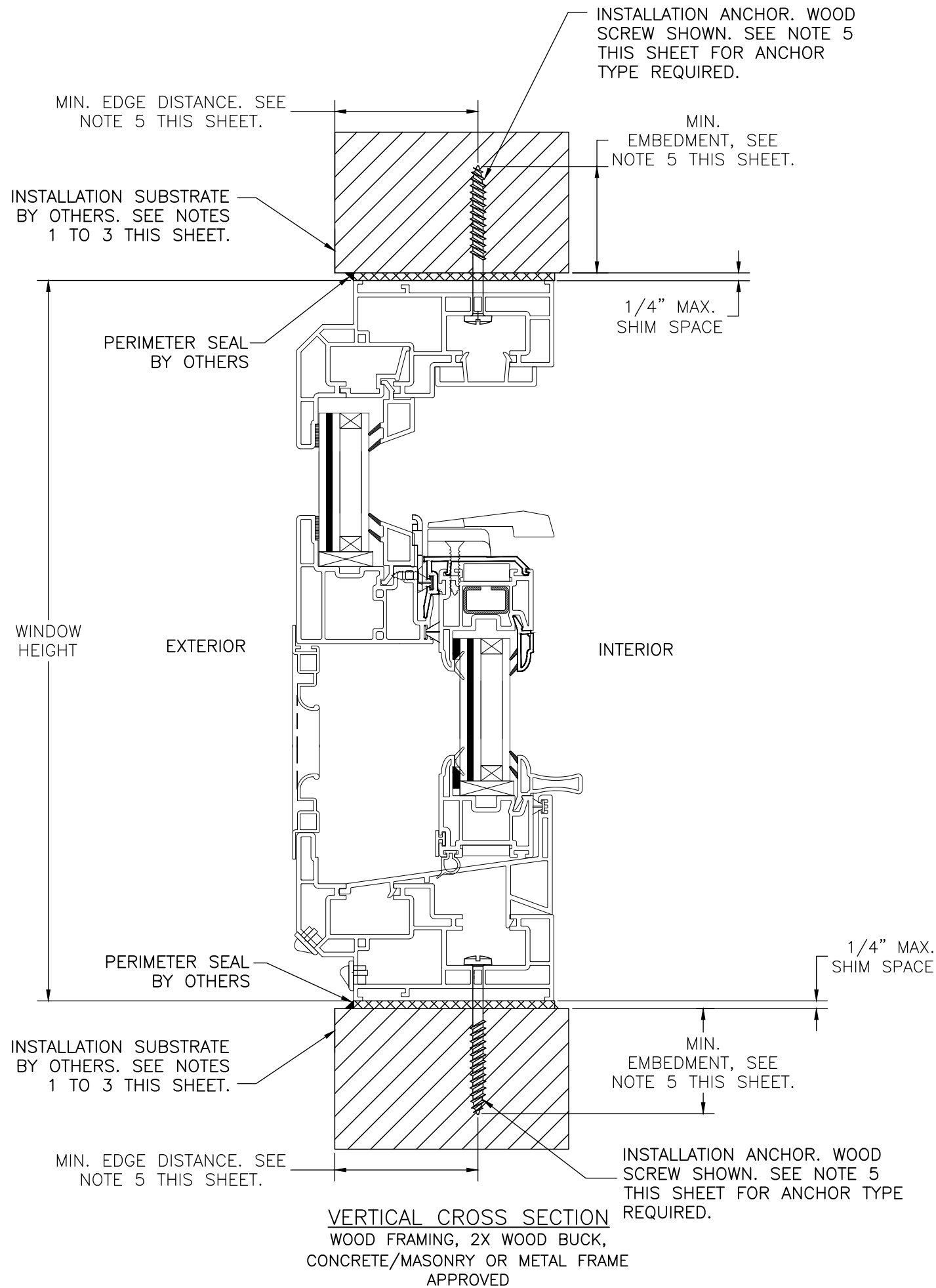
REGENCY PLUS, INC.  
2000 LOCUST GAP HIGHWAY  
MT. CARMEL, PA 17851

TITLE:	SERIES 2000 VINYL TILT SINGLE HUNG WINDOW ELEVATION, ANCHORING AND NOTES
DATE:	1/11/18
DRAWN BY:	RJA
SCALE:	N.T.S.
DRAWING NO.:	RPLS0047
REV:	C
SHEET:	1 OF 2

Prepared by: **FBPE**

Robert J. Amoruso, P.E.  
Florida P.E. No. 49752

PTC Product Design Group, LLC  
PO Box 520775  
Longwood, FL 32752-0775  
321-690-1788 info@ptc-corp.com  
FBPE Certificate of Authorization  
No. 25935



**INSTALLATION NOTES:**

1. APPROVED INSTALLATION SUBSTRATES INCLUDE THE FOLLOWING:
  - 1.1. WOOD FRAMING
  - 1.2. STEEL STUD FRAMING AND
  - 1.3. CONCRETE AND/OR MASONRY
2. SUBSTRATE OPENING TO BE DESIGNED AND ANCHORED TO PROPERLY TRANSFER ALL LOADS TO STRUCTURE. FRAMING AND CONCRETE/MASONRY OPENING IS THE RESPONSIBILITY OF THE ARCHITECT OR ENGINEER OF RECORD.
3. 1X BUCK OVER CONCRETE/MASONRY IS OPTIONAL. WHERE 1X BUCK IS NOT USED, DISSIMILAR MATERIALS MUST BE SEPARATED WITH APPROVED COATING OR MEMBRANE. SELECTION OF COATING OR MEMBRANE IS THE RESPONSIBILITY OF THE ARCHITECT OR ENGINEER OF RECORD.
4. SHIM AS REQUIRED AT EACH INSTALLATION ANCHOR WITH LOAD BEARING SHIM. SHIM WHERE SPACE OF 1/16" OR GREATER OCCURS. MAXIMUM ALLOWABLE SHIM STACK TO BE 1/4".
5. SUBSTRATE ANCHORING METHODS:
  - 5.1. FOR ANCHORING INTO CONCRETE/MASONRY USE 3/16" HEX HEAD TAPCONS WITH SUFFICIENT LENGTH TO ACHIEVE A 1 1/2" MINIMUM EMBEDMENT INTO CONCRETE WITH 1 1/8" MINIMUM EDGE DISTANCE AND 1" MINIMUM EMBEDMENT INTO MASONRY WITH 2" MINIMUM EDGE DISTANCE. LOCATE ANCHORS AS SHOWN IN ELEVATIONS AND INSTALLATION DETAILS. ANCHOR LOCATIONS HAVE +/- 1" TOLERANCE.
  - 5.2. FOR ANCHORING INTO WOOD FRAMING OR 2X BUCK USE #10 PAN HEAD WOOD SCREWS WITH SUFFICIENT LENGTH TO ACHIEVE A 1 3/8" MINIMUM EMBEDMENT INTO SUBSTRATE WITH 3/4" MINIMUM EDGE DISTANCE. LOCATE ANCHORS AS SHOWN IN ELEVATIONS AND INSTALLATION DETAILS. ANCHOR LOCATIONS HAVE +/- 1" TOLERANCE.
  - 5.3. FOR ANCHORING INTO METAL STRUCTURE USE #10 PAN OR HEX HEAD SMS OR SELF DRILLING SCREWS WITH SUFFICIENT LENGTH TO ACHIEVE 3 THREADS MINIMUM BEYOND STRUCTURE INTERIOR WALL WITH 3/4" MINIMUM EDGE DISTANCE. LOCATE ANCHORS AS SHOWN IN ELEVATIONS AND INSTALLATION DETAILS. ANCHOR LOCATIONS HAVE +/- 1" TOLERANCE.
6. INTERIOR AND EXTERIOR FINISHES BY OTHERS. NOT SHOWN FOR CLARITY.
7. PERIMETER AND JOINT SEALANT BY OTHERS TO BE DESIGNED AND/OR SPECIFIED IN ACCORDANCE WITH ASTM E2112.

PROJECT #417-0906

REGENCY PLUS, INC.  
2000 LOCUST GAP HIGHWAY  
MT. CARMEL, PA 17851

TITLE: SERIES 2000 VINYL TILT SINGLE HUNG WINDOW  
INSTALLATION DETAILS

DRAWN BY: RJA  
SCALE: N.T.S.  
REV: C

DATE: 1/11/18  
DRAWING NO: RPLS0047  
SHEET: 2 OF 2



Robert J. Amoruso, P.E.  
Florida P.E. No. 49752

PTC Product Design Group, LLC  
PO Box 520775  
Longwood, FL 32752-0775  
321-690-1788 info@ptc-corp.com  
FBPE Certificate of Authorization  
No. 25935

BY	RJA	DATE	1/22/18
DESCRIPTION	UPDATE TO CURRENT EDITION OF FBC	REV	C