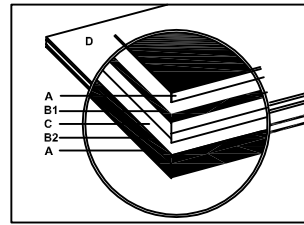


GENERAL NOTES:

These Reynobond® composite panels shall be used for wall, soffit, canopy, fascia construction, or as a wall cladding system. Each actual wall project shall be constructed using the details shown on these drawings as minimum required specifications. Panels can run horizontally or vertically. Steel metal frames must be 90 degrees relative to the stiffener / retainer. Over CMU or concrete no restrictions apply.

- A - METAL SKIN
- B - TIE LAYER BETWEEN SKIN AND CORE
- C - CORE POLYMERIC COMPOUND (FR - Fire Retardant)
(PE - Polyethylene)
(NC - No Core Material Used)
(Core thickness may vary upon material skin type)
- D - FINISH - paint finish or natural metal surface



PERFORMED TESTS

| DESCRIPTION | TEST |
|---|--------------|
| a) Tensile Test | ASTM E-8 |
| b) Self Ignition | ASTM D-1929 |
| c) Flame Spread 1 | ASTM E-84 |
| d) Smoke Developed 1 | ASTM E-84 |
| e) Thermal Barrier | ASTM E119 |
| f) Interior Finish Application | |
| Fire Test | UL 1715 |
| g) Multi-story Fire Test | NFPA 285 |
| h) Fire Test of Building Construction & Materials | UL 263 R8343 |

BILL OF MATERIALS

1. PANEL MATERIAL: **Reynobond®** metal composite material, PE or FR 4 mm and 6mm thick, or NC 3.3 mm thick, as manufactured by Alcoa Architectural Products.
 - a) FR ALUMINUM PANEL SKIN THICKNESS 0.020" inches (3105-H25)
 - b) PE ALUMINUM PANEL SKIN THICKNESS 0.020" inches (3105-H25)
 - c) FR ZINC PANEL SKIN THICKNESS 0.028" ZINC ALLOY (NOTES: 1) ONLY UP TO 100 PSF,
 - d) PE or FR STAINLESS STEEL PANEL SKIN THICKNESS 0.018" SS ALLOY 304 or 316L
 - e) PE or FR TITANIUM PANEL SKIN THICKNESS 0.018", back skin Stainless Steel .0018"
 - f) NC TWO ALUMINUM SKINS OF THICKNESS 0.063", BONDED DIRECTLY TOGETHER WITH SINGLE TIE LAYER (NO CORE MATERIAL)
2. ALUMINUM EXTRUSIONS. Aluminum alloy 6063 - T6 temper, mill finish
 - a) FRAME (CONTINUOUS)
 - b) CLIP (CONTINUOUS)
 - c) STIFFENER (CONTINUOUS)
 - d) RETAINER
 - e) CORNER ANGLE
3. METAL STUDS 16ga galvanized or painted steel (per applicable codes to prevent corrosion) with minimum properties of 50 Ksi yield, 65 Ksi ultimate. Minimum 1 5/8" flange, 6" web. Calculations must be provided by a registered engineer
4. STUD TO TRACK FASTENERS and ANGLE TO BRIDGING FASTENERS and ANGLE TO STUD FASTENERS #8-18 x 3/4" Phillips Head Galvanized Steel Pan Tek Screw or similar.
5. PANEL TO FRAME FASTENERS. #10 x 1" wafer head, self drilling, self tapping, galvanized steel screws, at 16" O.C., at all Panel Perimeter Returns.
6. HORIZONTAL AND VERTICAL JOINT SILICONE (as needed).
 - a) Dow Corning #995 - 170 PSI - One part.
 - b) Dow Corning #983 - 170 PSI - Two parts.
 - c) Dow Corning #795 - 100 PSI - One part. Horizontal, Vertical and perimeter joint - Weather seal.
 - d) Dow Corning #795 - 100 PSI - One part. Cap Bead - Weather seal.
 - e) Dow Corning #795 - 100 PSI - One part. Panel to frame, frame and corner weather seal.
(Only for dry seal system. For wet seal system do not apply)
Dow Corning #795 can be replaced by Dow Corning "CWS"
 - f) Where water intrusion is not a requirement, the system can be used as rain screen, see Detail 14, Sht 21
No "weather sealant" silicone required - B.O.M. # 15, # 06d, # 06e, # 06c, # 07a
Recommended use of stainless steel screws B.O.M. # 05, # 08
7. BACKER ROD. (as needed)
 - a) 5/8" diameter, open cell. b) 1 1/2" diameter, open cell. c) 2" diameter, open cell.

8. CLIP AND RETAINER TO SUBSTRATE FASTENER (as needed)
 - a) 1 # 14 - HEX WASHER HEAD - 1 1/2" - DRILL POINT
 - b) 1 # 14 - HEX WASHER HEAD - 1" - SHARP POINT
 - c) 1 # 14 - HEX WASHER HEAD - 2 1/2" - DRILL POINT
 - d) 2 # 14 - HEX WASHER HEAD - 2 1/2" - DRILL POINT
 - e) 2 # 12 - HEX WASHER HEAD - 1 1/2" - DRILL POINT
 - f) 2 # 12 - HEX WASHER HEAD - 2 1/2" - DRILL POINT
 - g) 2 # 12 - HEX WASHER HEAD - 1" - SHARP POINT
 - h) 1 1/4" - ELCO ULTRACON - 2 1/2"
 - i) NOT USED
 - j) 2 # 14 - HEX WASHER HEAD - 1 1/2" - DRILL POINT
 - k) 2 # 12 - HEX WASHER HEAD - 2 1/2" - DRILL POINT
 (Note: Increase anchor length as needed for full penetration)

CHART AND SCHEDULE (Aluminum clip to stud)

| Reynobond® Product | Substrate Backer | Stud Spacing | Max Screw Spacing "other than perimeter" | Design Pressure PSF | Impact Rating | Building Applicability |
|--|--------------------------------------|--------------|--|---------------------|------------------------------|------------------------|
| Reynobond® PE and FR Aluminum Titanium Stainless Steel Zinc** or Reynobond® NC | 7.2" RIB 20 ga. steel panel | 36" O.C. | (1) 24" O.C. vert. 14.4" O.C. Horz. | 100 | Small & Large Missile Impact | Above & Below 30 feet |
| | | | 16" O.C. Vert. (2) 14.4" O.C. Horz. | 130 | | |
| | PLYWOOD MIN. 5/8" | 24" O.C. | (1) 24" O.C. | 100 | | |
| | | 16" O.C. | (1) 16" O.C. (2) 16" O.C. | 120 130 | | |
| CMU Concrete | N/A | (1) 24" O.C. | 100 | | | |
| | N/A | (1) 16" O.C. | 130 | | | |

Note a) Perimeter (1) #14 screw spacing 16" O.C. up to 130 psf
b) Perimeter (1) #14 screw spacing 24" O.C. up to 100 psf

Joint Sizes (other than perimeter) 1/2" to 3/4" (1) #14 screw
1-1/2" (2) #12 screws
Joint Sizes (perimeter) up to 2.5" (1) #14 screw

9. TRACK TO WOOD FRAME FASTENER. 5/16" x 2.5" galvanized steel LAG screw with washer. At 12" O.C. MAX.
10. 2 x 12" YELLOW PINE WOOD.
11. METAL TRACK 16ga galvanized steel or painted (per applicable codes to prevent corrosion) with minimum properties of 50 Ksi yield, 65 Ksi ultimate.
12. BRIDGING CHANNEL. 16ga galvanized or painted (per applicable codes to prevent corrosion) steel with minimum properties of 50 Ksi yield, 65 Ksi ultimate. Standard 1/2" flange, 1 1/2" web. WALLS UP TO 10' HEIGHT 1 ROW @ MID-HEIGHT. WALLS EXCEEDING 10' HEIGHT BRIDGING ROW SPACED NOT TO EXCEED 5' 0" O.C.
13. UTILITY ANGLE. 16ga galvanized or painted (per applicable codes to prevent corrosion) steel with minimum properties of 50 Ksi yield, 65 Ksi ultimate. Standard 6" wide, 2" leg dimensions. (Bridge Clip or equal).
14. SHIMS Standard glazing shims as needed. (Max. Perimeter 3/4"; Other than perimeter 1/2")
15. Uni-Grip 1/4" neoprene hollow gasket.
16. 7.2" RIB 20 GAUGE STEEL GALVANIZED OR PAINTED PROFILE PANEL OR METAL DECK MIN 1.5" RIB DEPTH. (Framing must be calculated by a Professional Engineer)
17. STEEL BUCK.
18. Rebar Reinforced Concrete as per Florida Building Code
19. Rebar Reinforced CMU block as per Florida Building Code
20. PLYWOOD 5/8" - Option to be Pressure Treated and/or Fire Prof.

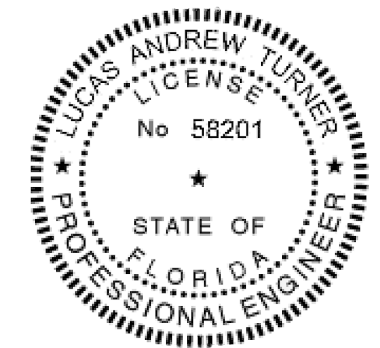
Notes Screw 08h: ASTM C-90 CMU and 2.85 ksi min. CONCRETE edge condition restrictions
(All references and limitations are measured from the CONCRETE or CMU edge)

- 1) Minimum fastener embedment required: 1.75" in CONCRETE, 1.25" in hollow CMU, 2.25" in grout-filled CMU.
- 2) Ensure min. center-to-center distance between any two Ultracons of: 4" in CONCRETE, 6" in hollow CMU, and 4.5" in grout-filled CMU
- 3) With Ultracons at 1" minimum edge distance, in CONCRETE follow Max Screw Spacing of 16" or 24" as shown in charts. For CMU, if chart requires 16" OC then stagger fasteners at 7.75" OC for hollow CMU and 9" for grout-filled CMU. If chart requires 24" OC then stagger fasteners at 10" OC for hollow CMU and 11.75" OC for grout-filled CMU.
- 4) Fasteners installed on both sides of an outside corner condition must have a minimum stagger between the screws on opposing sides of the corner, of 4" min. in CONCRETE and 4.5" min. in grout-filled CMU.
- 5) Reference drawings: #8 on pg 12, #10 on pg 15, #9 on pg. 21

| Reynobond® Product | Substrate Backer | Stud Spacing | Max Screw Spacing "other than perimeter" | Design Pressure PSF | Impact Rating | Building Applicability |
|--|------------------|--------------|--|---------------------|------------------------------|------------------------|
| Reynobond® NC Flat wall construction applications only | NONE | 24" O.C. | (1) 24" O.C. | 90 | Small & Large Missile Impact | Above & Below 30 feet |
| | | 16" O.C. | (1) 16" O.C. | 120 | | |

Note a) For Reynobond NC with no backer, the details shown in these drawings with Plywood Backer may be used, with the plywood omitted from the construction (the plywood backer may optionally also be replaced with 5/8" gypsum wall board).
b) Perimeter (1) #14 screw spacing 16" O.C. min.
c) Requires Continuous Retainer, BOM # 2d
d) Max. 1/2" Wet Joint or 1/2" Rain Screen Joint (w/ Rain Screen, approved weather resistant barrier by others, and sheathing/backer by others to support WRB if needed, is required for water infiltration rated product, see Detail 14, Sheet 21)

Joint Sizes (other than perimeter) 1/2" (1) #14 screw
Joint Sizes (perimeter) up to 1.5" (1) #14 screw

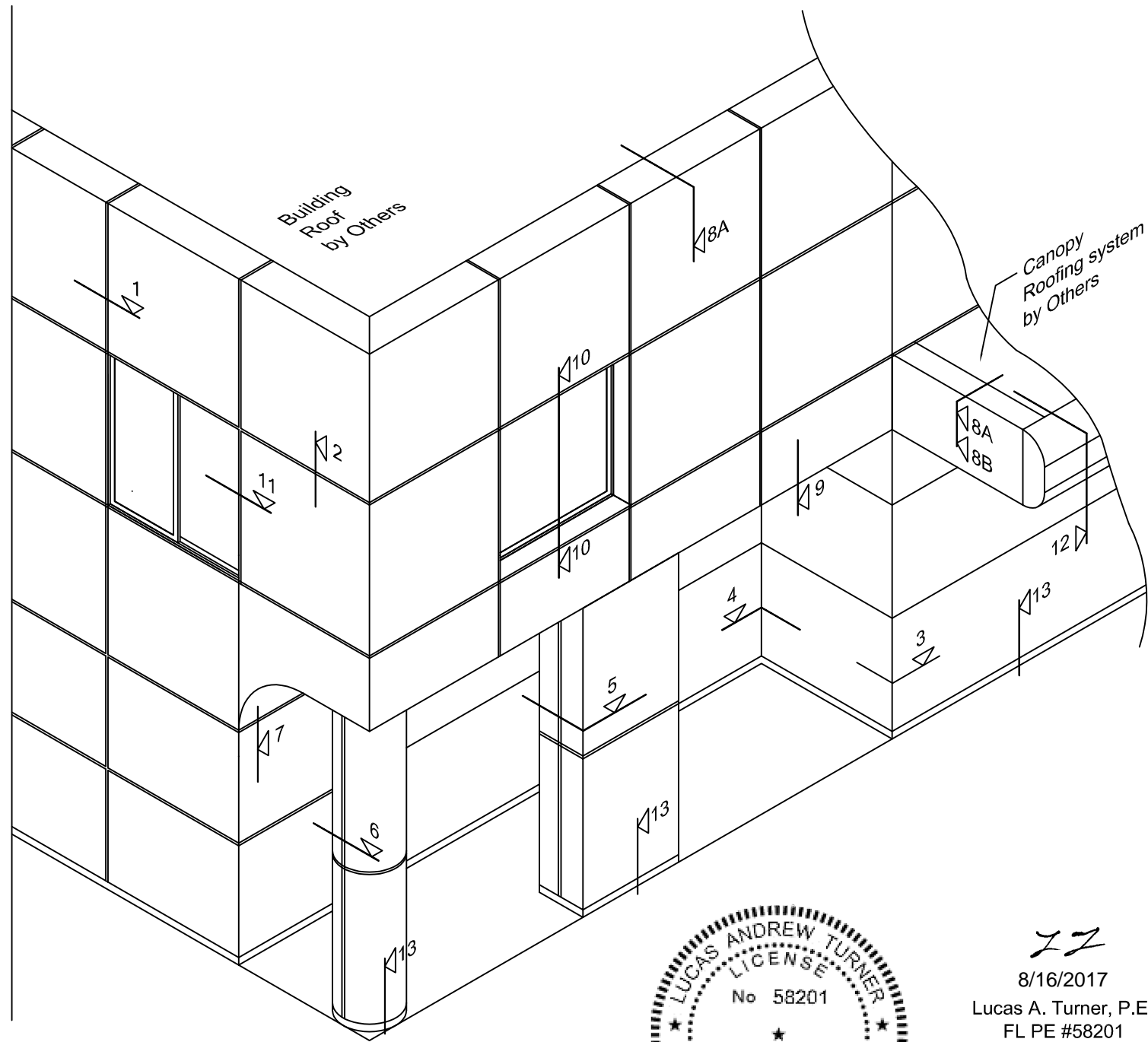


LT
8/16/2017

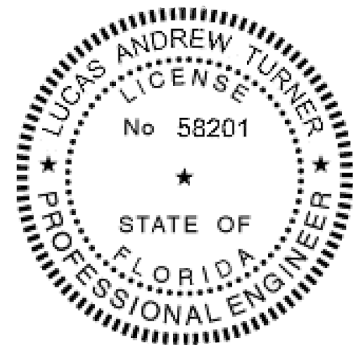
Lucas A. Turner, P.E.
FL PE #58201
1239 Jabara Ave.
North Port, FL 34288
Ph. 941-380-1574
Turner Engineering
& Consulting, Inc.
FBPE COA #29779

| | | |
|--|--|---|
| Arconic Architectural Products 50 Industrial Boulevard Eastman, Georgia 31023 USA Tel: (478) 374 6871 CONFIDENTIAL AND PROPRIETARY PROPERTY OF ARCONIC ARCHITECTURAL PRODUCTS Which May Be Used Only For Its Benefit And Which May Not Be Reproduced Or Disclosed To Others. This Document And All Copies Must Be Returned On Demand. | SUBMITTAL DWG. DWG. NO. REYNO-LM-FPA HVHZ AND NON-HVHZ | DATE: 12-16-15 |
| | REYNOBOND® w/ PE/FR/NC - LARGE MISSILE IMPACT BACKER SUPPORTS: CMU, 7.2" RIB PANEL 20ga, PLYWOOD 5/8" BILL OF MATERIALS ANCHOR QUANTITIES | REVISION: SHEET: 01 OF 21 |


REYNOBOND® PE/FR/NC w/BACKER SUPPORTS: CMU, 7.2" RIB PANEL 20ga, PLYWOOD 5/8".
 BUILDING DETAILS. NOTE REYNOBOND NC WITHOUT BACKER SUPPORTS IS ALLOWED FOR FLAT
 VERTICAL WALL CONDITIONS ONLY.



| BUILDING CONDITION | | |
|--------------------|--------------------------|------------------|
| 1 | VERTICAL JOINT CONDITION | |
| 2 | HORIZONTAL JOINT | |
| 3 | EXTERNAL CORNER | |
| 4 | INTERNAL CORNER | |
| 5 | COLUMN COVER | |
| 6 | CURVED CONVEX | |
| 7 | CURVED CONCAVE | |
| 8 | PARAPET | w/ FLASHING (A) |
| | | w/ REYNOBOND (B) |
| 9 | SOFFIT | |
| 10 | RECESS OPENING | |
| 11 | FLASH OPENING | |
| 12 | CANOPY | |
| 13 | BASE BOARD | |



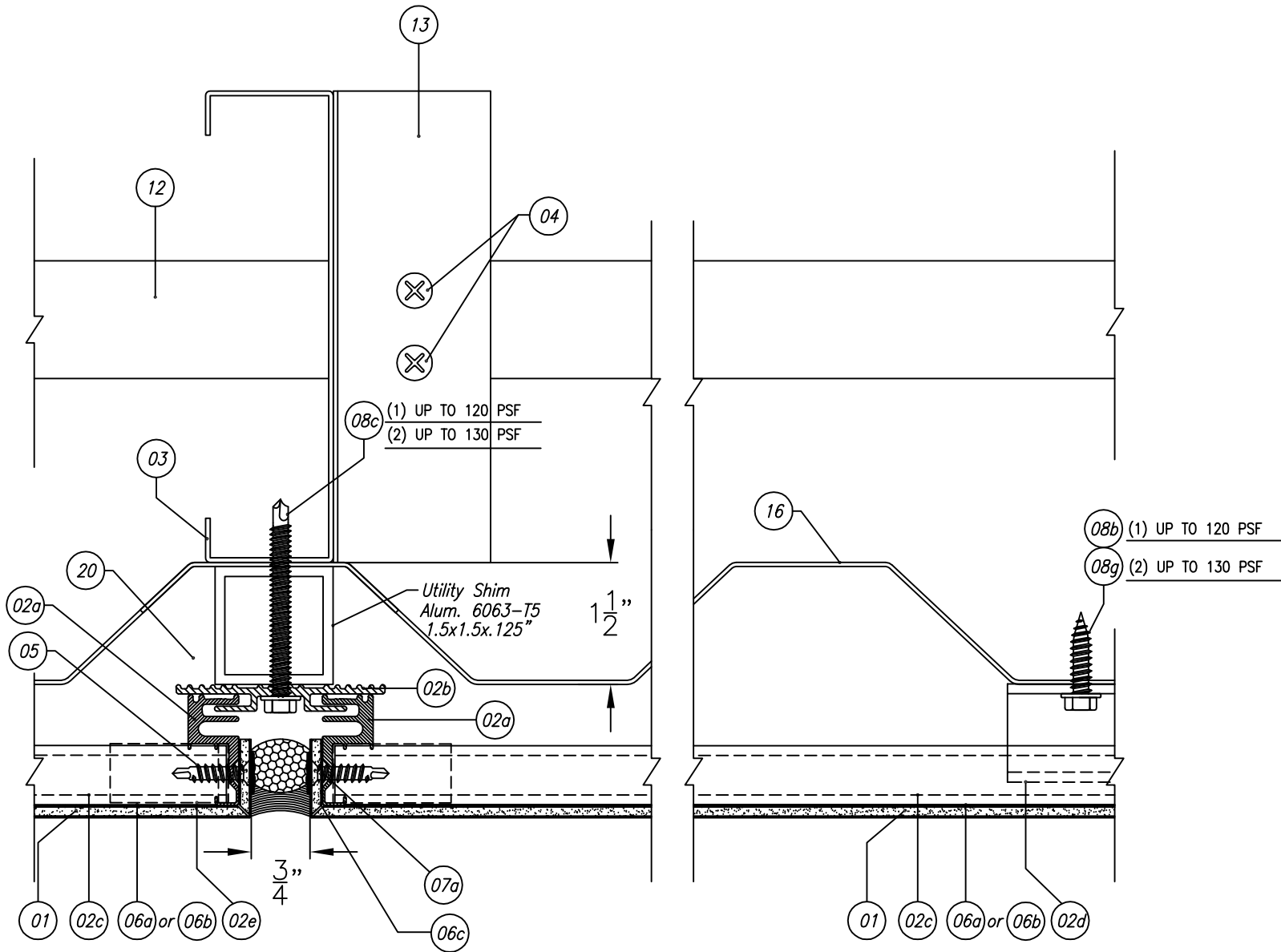
LT
 8/16/2017
 Lucas A. Turner, P.E.
 FL PE #58201
 1239 Jabara Ave.
 North Port, FL 34288
 Ph. 941-380-1574
 Turner Engineering
 & Consulting, Inc.
 FBPE COA #29779

| | | |
|---|---|--|
|  Arconic Architectural Products 50 Industrial Boulevard Eastman, Georgia 31023 USA Tel: (478) 374 6871 | SUBMITTAL DWG. DWG. NO. REYNO-LM-FPA HVHZ AND NON-HVHZ | DATE: 12-16-15 |
| | CONFIDENTIAL AND PROPRIETARY PROPERTY OF ARCONIC ARCHITECTURAL PRODUCTS Which May Be Used Only For Its Benefit And Which May Not Be Reproduced Or Disclosed To Others. This Document And All Copies Must Be Returned On Demand. | REYNOBOND® w/ PE/FR/NC - LARGE MISSILE IMPACT BACKER SUPPORTS: CMU, 7.2" RIB PANEL 20ga, PLYWOOD 5/8" 3D VIEW AND SECTIONS DRY AND WET SEAL |
| | | SHEET: 02 OF 21 |

REYNOBOND® PE/FR/NC w/BACKER SUPPORTS: CMU, 7.2" RIB PANEL 20ga, PLYWOOD 5/8".

VERTICAL JOINT – 3/4" WET
NOTE: ALL JOINTS APPLY TO ANY BUILDING CONDITION

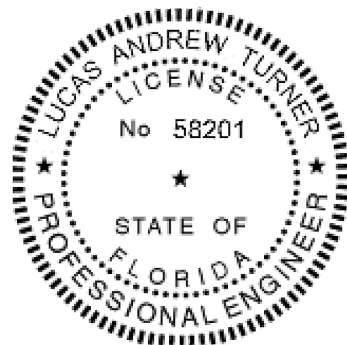
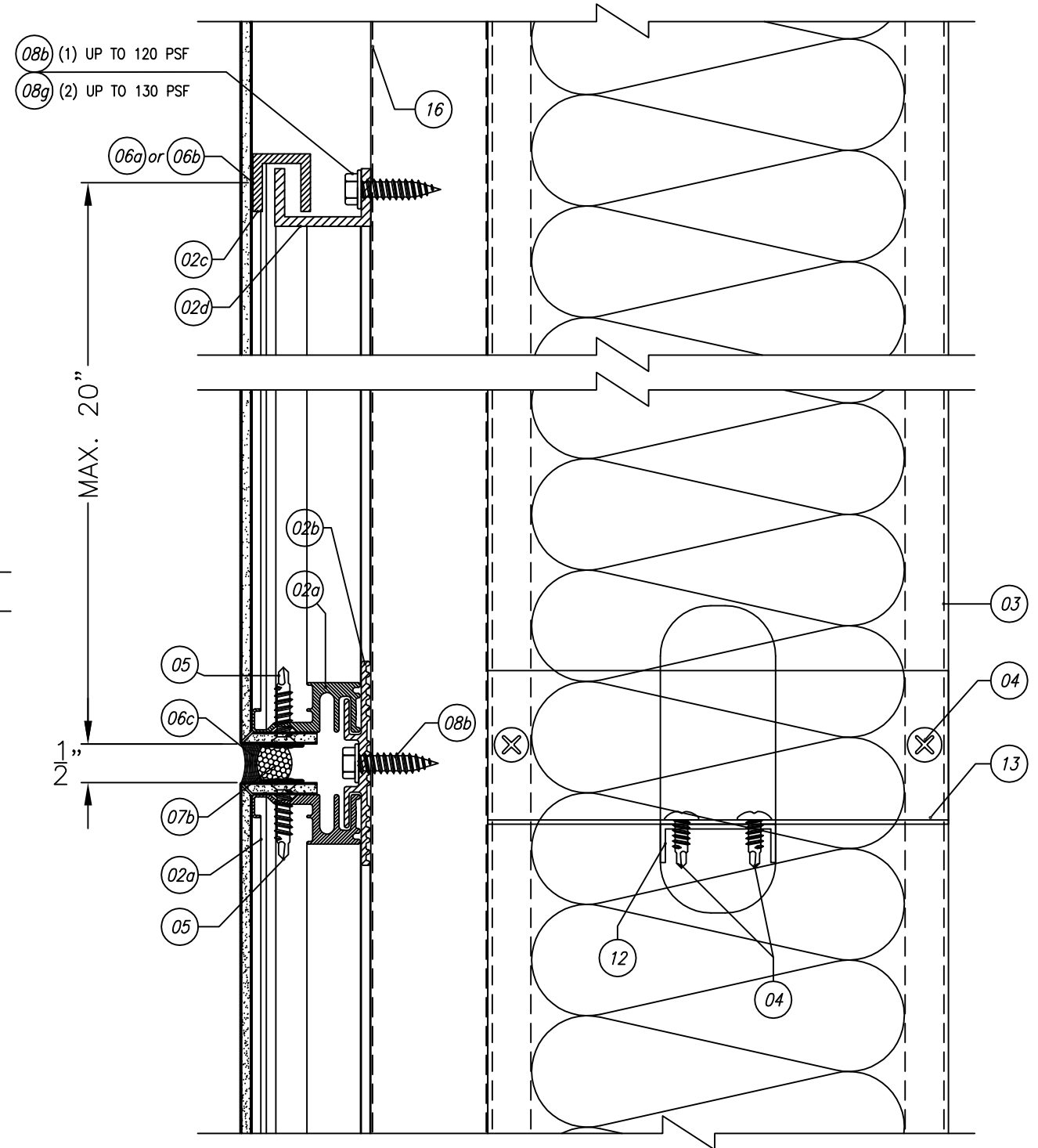
1 SECTION DETAIL
TOP / BOTTOM



REYNOBOND® PE/FR/NC or NC w/BACKER SUPPORTS: CMU, 7.2" RIB PANEL 20ga, PLYWOOD 5/8".

HORIZONTAL JOINT – 1/2" WET
NOTE: ALL JOINTS APPLY TO ANY BUILDING CONDITION

2 SECTION DETAIL
RIGHT / LEFT



21
8/16/2017
Lucas A. Turner, P.E.
FL PE #58201
1239 Jabara Ave.
North Port, FL 34288
Ph. 941-380-1574
Turner Engineering
& Consulting, Inc.
FBPE COA #29779



Arconic Architectural Products
50 Industrial Boulevard
Eastman, Georgia 31023 USA
Tel: (478) 374 6871

CONFIDENTIAL AND PROPRIETARY
PROPERTY OF ARCONIC ARCHITECTURAL
PRODUCTS
Which May Be Used Only For Its Benefit
And Which May Not Be Reproduced Or
Disclosed To Others. This Document And
All Copies Must Be Returned On Demand.

SUBMITTAL DWG.
DWG. NO. REYNO-LM-FPA
HVHZ AND NON-HVHZ

REYNOBOND® w/ PE/FR/NC – LARGE MISSILE IMPACT
BACKER SUPPORTS: CMU, 7.2" RIB PANEL 20ga, PLYWOOD 5/8"
ALL BUILDING CONDITIONS, DRY AND WET SEAL

DATE: 12-16-15

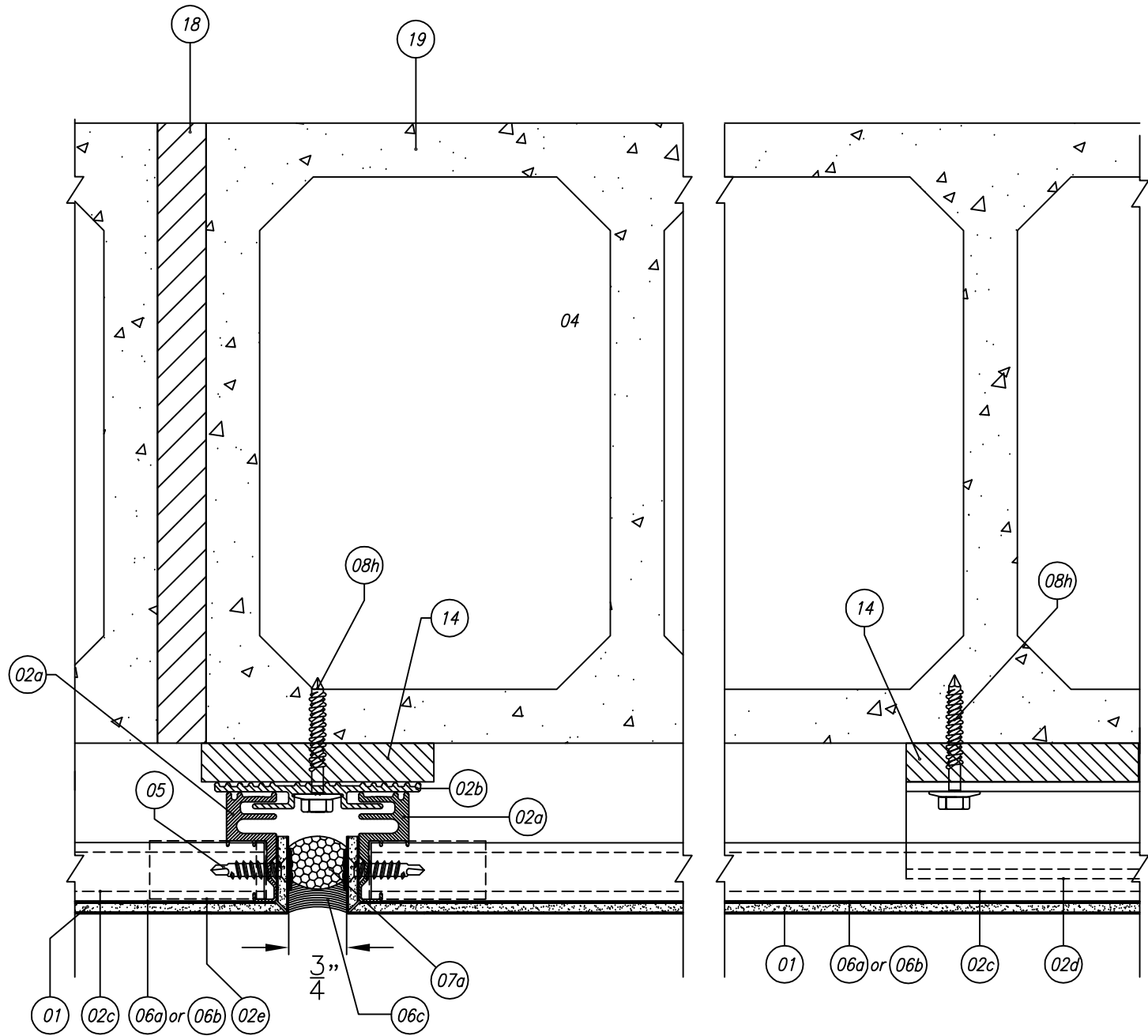
REVISION:

SHEET:

03 OF 21

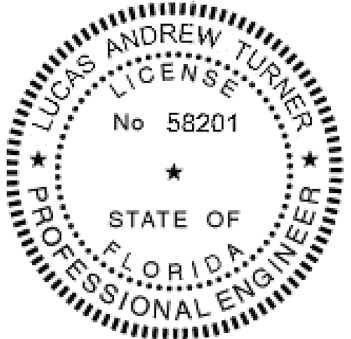
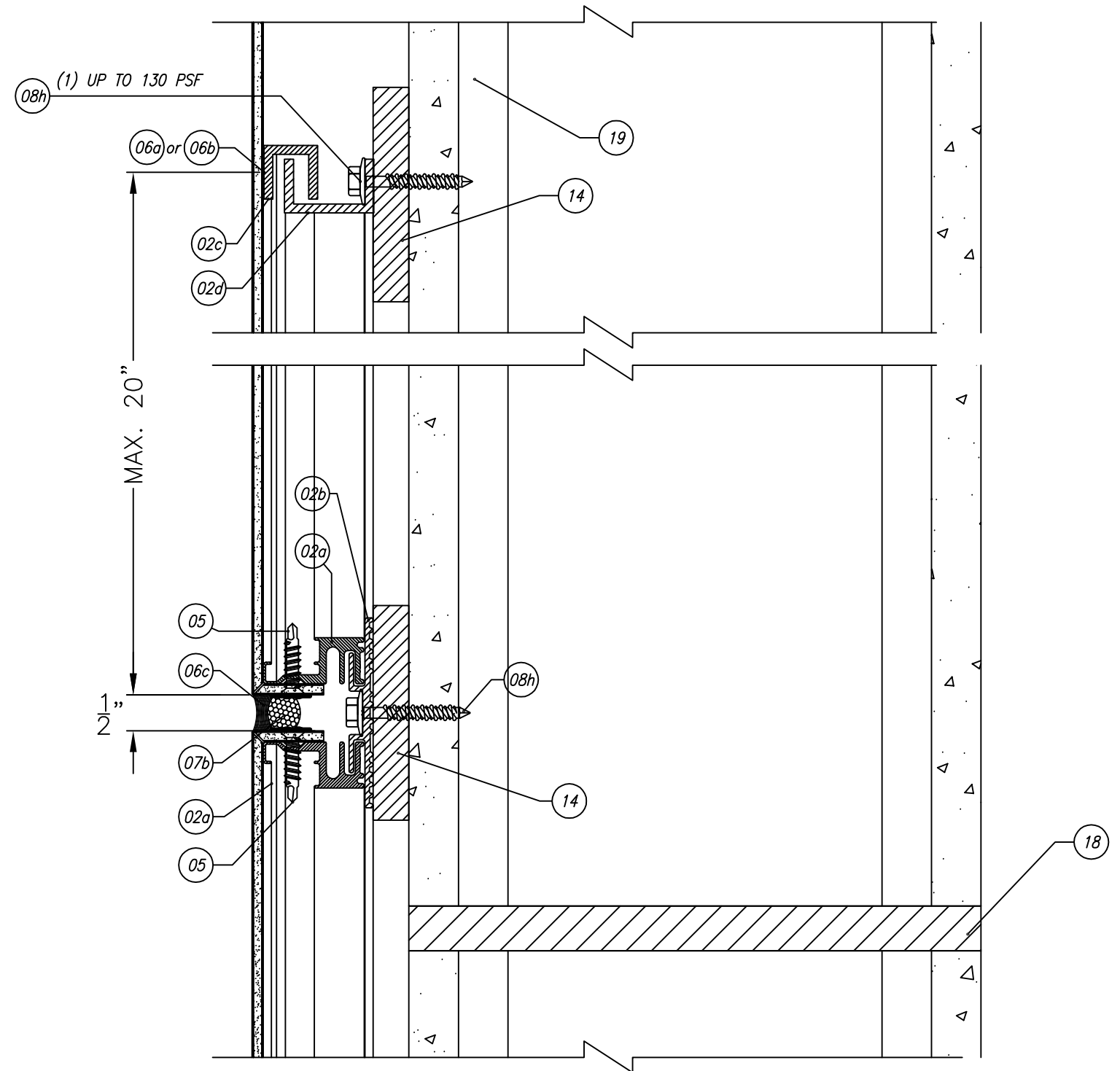
REYNOBOND® PE/FR/NC w/BACKER SUPPORT
OVER CMU
VERTICAL JOINT – 3/4" WET
NOTE: ALL JOINTS APPLY TO ANY BUILDING CONDITION

1 SECTION DETAIL
TOP / BOTTOM



REYNOBOND® PE/FR/NC w/BACKER SUPPORT
OVER CMU
HORIZONTAL JOINT – 1/2" WET
NOTE: ALL JOINTS APPLY TO ANY BUILDING CONDITION

2 SECTION DETAIL
RIGHT / LEFT



ZZ
8/16/2017
Lucas A. Turner, P.E.
FL PE #58201
1239 Jabara Ave.
North Port, FL 34288
Ph. 941-380-1574
Turner Engineering
& Consulting, Inc.
FBPE COA #29779

Arconic Architectural Products
50 Industrial Boulevard
Eastman, Georgia 31023 USA
Tel: (478) 374 6871

CONFIDENTIAL AND PROPRIETARY
PROPERTY OF ARCONIC ARCHITECTURAL
PRODUCTS
Which May Be Used Only For Its Benefit
And Which May Not Be Reproduced Or
Disclosed To Others. This Document And
All Copies Must Be Returned On Demand.

SUBMITTAL DWG.
DWG. NO. REYNO-LM-FPA
HVHZ AND NON-HVHZ

REYNOBOND® w/ PE/FR/NC – LARGE MISSILE IMPACT
BACKER SUPPORTS: CMU / CONCRETE
ALL BUILDING CONDITIONS, DRY AND WET SEAL

DATE: 12-16-15

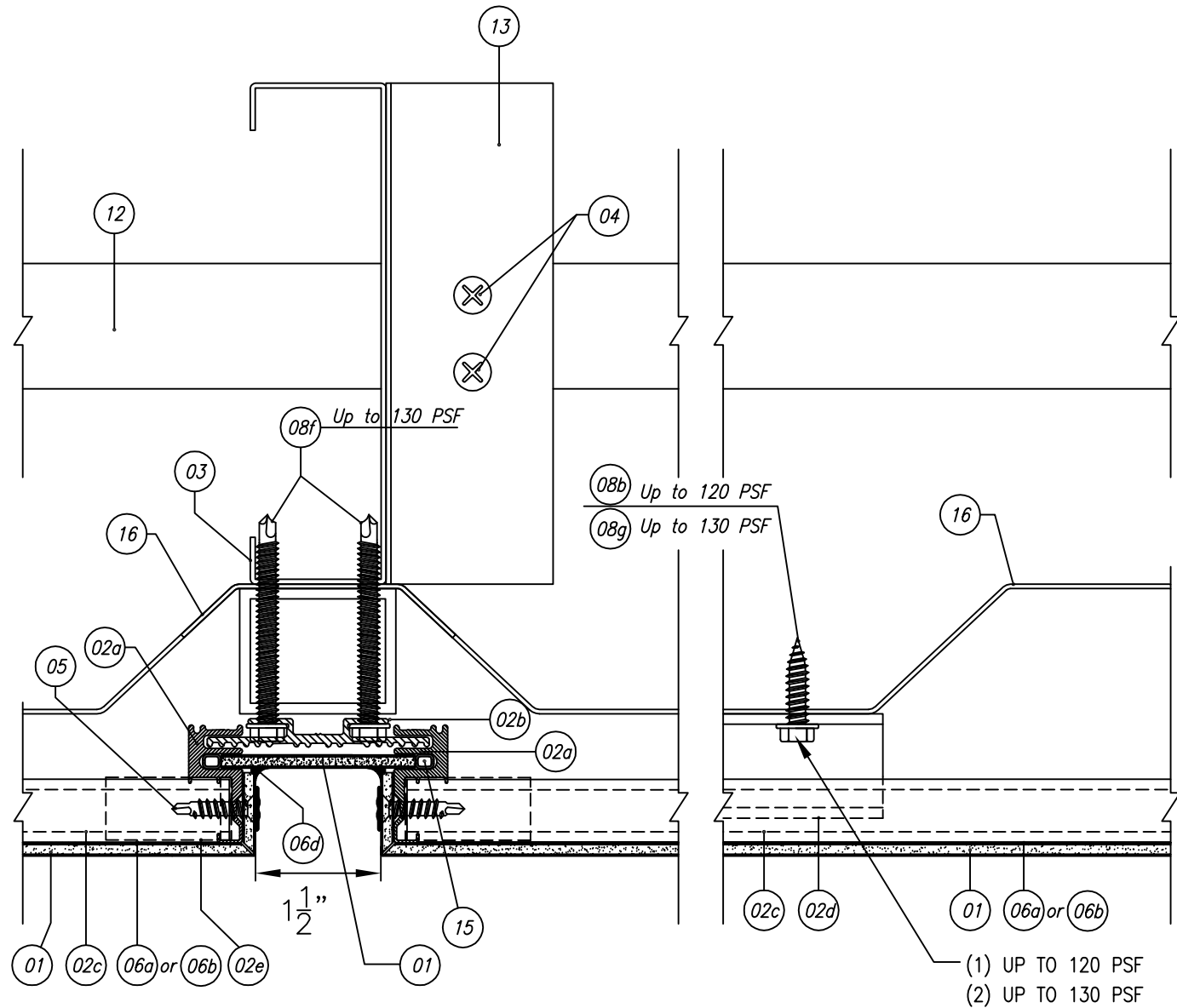
REVISION:

SHEET:

04 OF 21

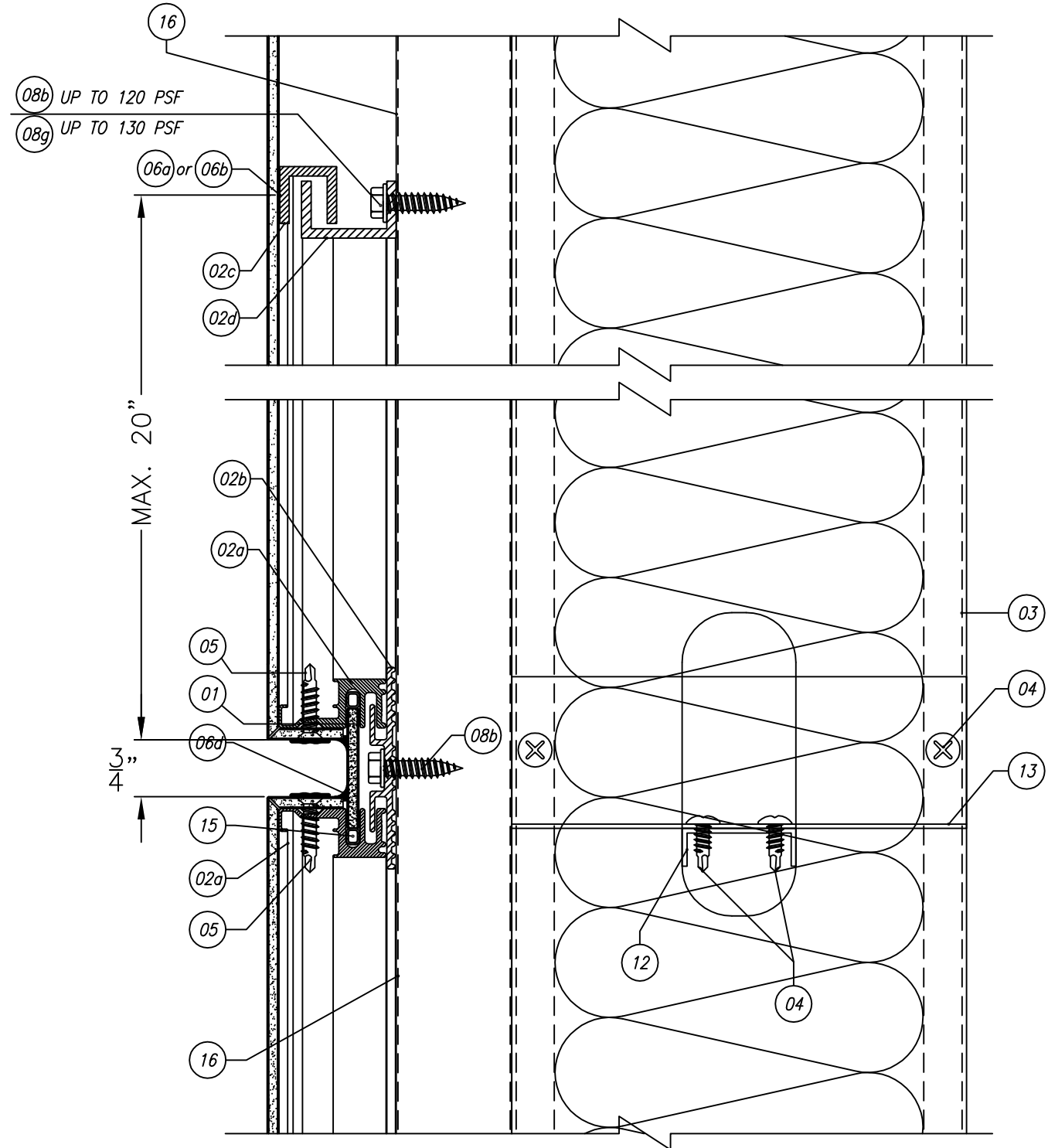
REYNOBOND® PE/FR/NC w/BACKER SUPPORT OVER
 7.2" RIB PANEL 20ga
 VERTICAL JOINT - 1 1/2" DRY
 NOTE: ALL JOINTS APPLY TO ANY BUILDING CONDITION

1 SECTION DETAIL
 TOP / BOTTOM



REYNOBOND® PE/FR/NC w/BACKER SUPPORT OVER
 7.2" RIB PANEL 20ga
 HORIZONTAL JOINT - 3/4" DRY
 NOTE: ALL JOINTS APPLY TO ANY BUILDING CONDITION

2 SECTION DETAIL
 RIGHT / LEFT



LT
 8/16/2017
 Lucas A. Turner, P.E.
 FL PE #58201
 1239 Jabara Ave.
 North Port, FL 34288
 Ph. 941-380-1574
 Turner Engineering
 & Consulting, Inc.
 FBPE COA #29779

Arconic Architectural Products
 50 Industrial Boulevard
 Eastman, Georgia 31023 USA
 Tel: (478) 374 6871

CONFIDENTIAL AND PROPRIETARY
 PROPERTY OF ARCONIC ARCHITECTURAL
 PRODUCTS
 Which May Be Used Only For Its Benefit
 And Which May Not Be Reproduced Or
 Disclosed To Others. This Document And
 All Copies Must Be Returned On Demand.

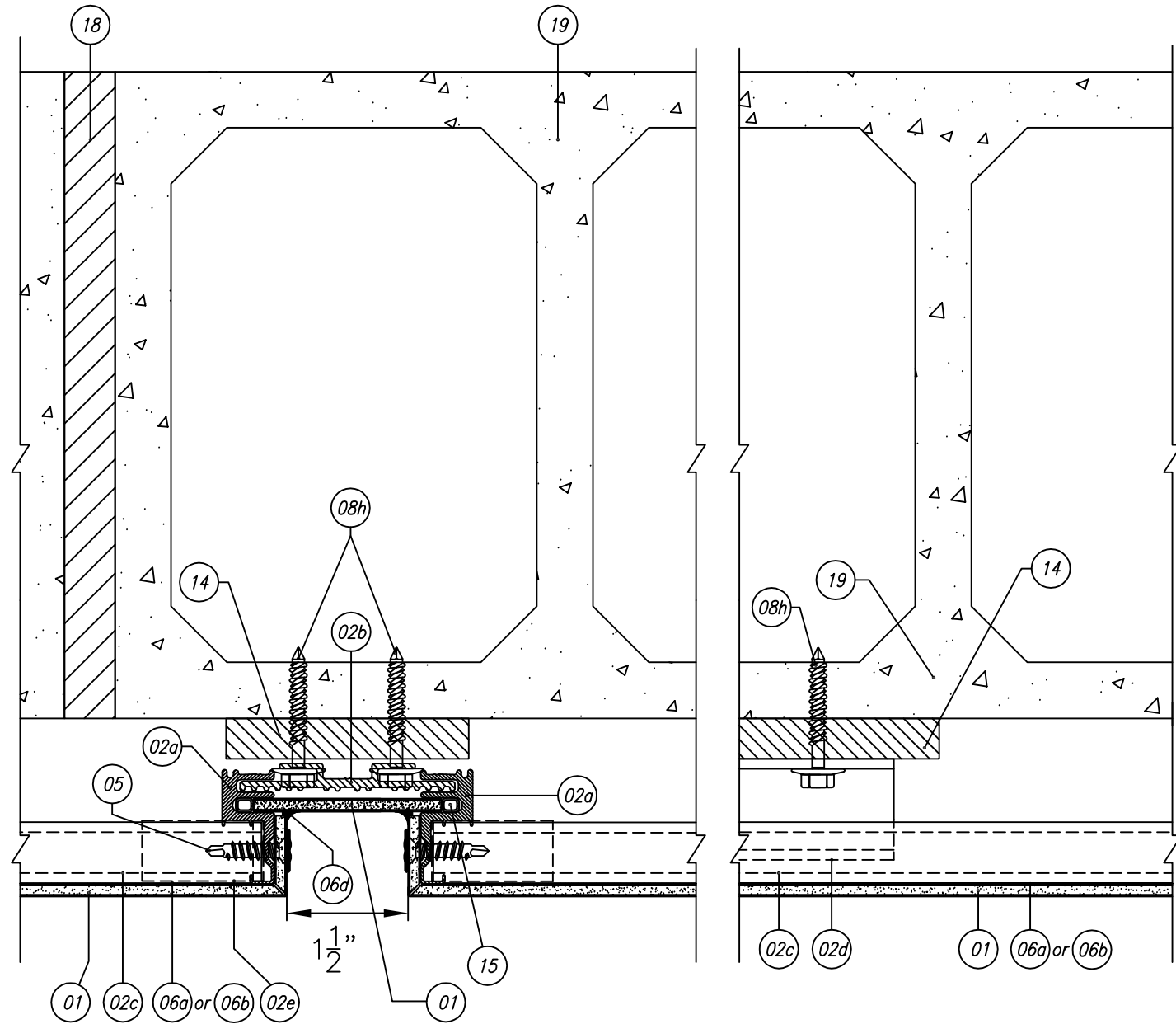
SUBMITTAL DWG.
 DWG. NO. REYNO-LM-FPA
 HVHZ AND NON-HVHZ

REYNOBOND® w/ PE/FR/NC - LARGE MISSILE IMPACT
 BACKER SUPPORTS: 7.2" RIB PANEL
 ALL BUILDING CONDITIONS, DRY AND WET SEAL

DATE: 12-16-15
 REVISION:
 SHEET:
 05 OF 21

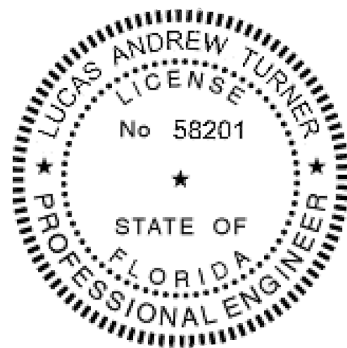
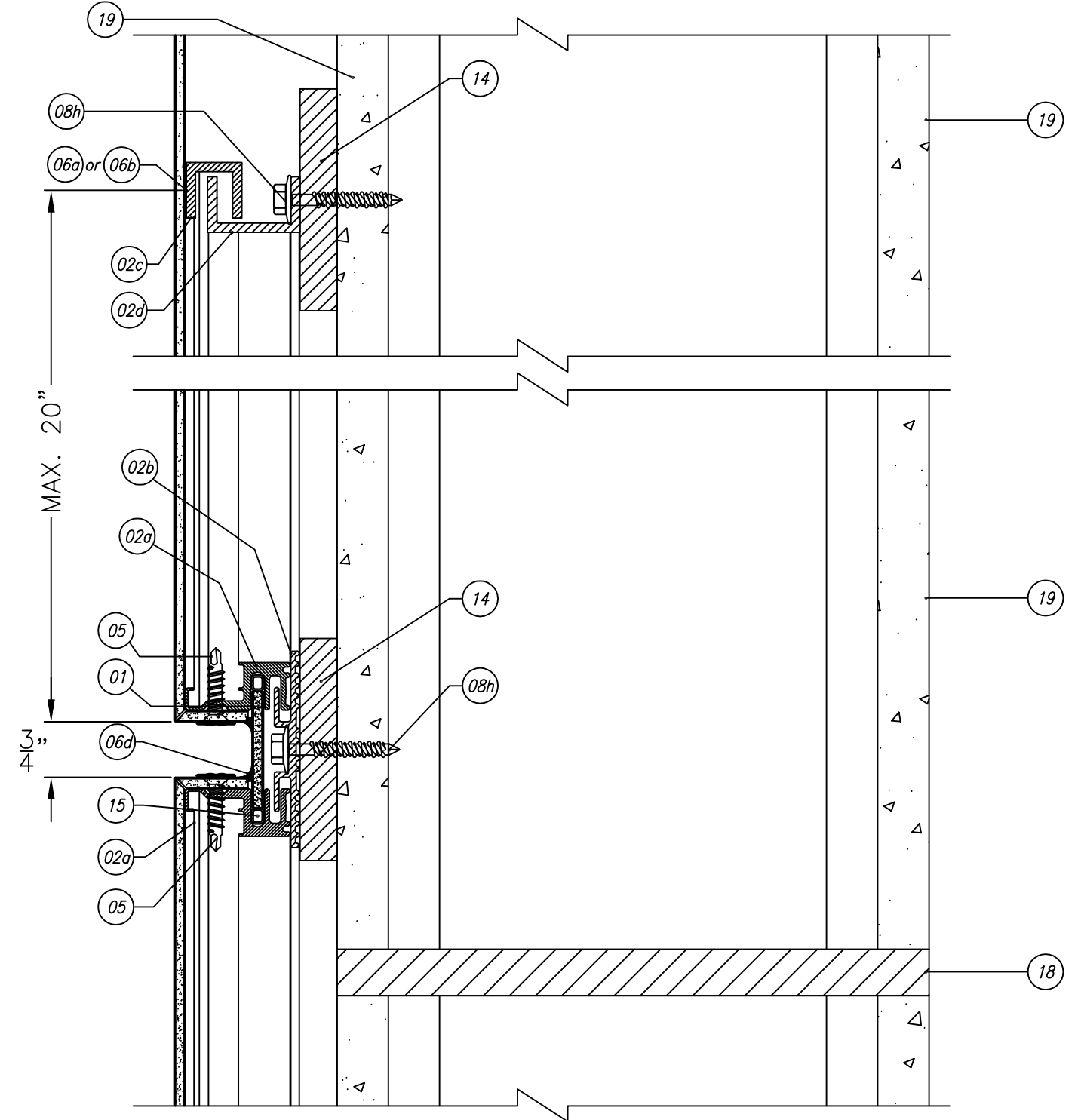
REYNOBOND® PE/FR/NC w/ BACKER SUPPORT
OVER CMU
VERTICAL JOINT - 1 1/2" DRY
NOTE: ALL JOINTS APPLY TO ANY BUILDING CONDITION

1 SECTION DETAIL
TOP / BOTTOM



REYNOBOND® PE/FR/NC w/ BACKER SUPPORT
OVER CMU
HORIZONTAL JOINT - 3/4" DRY
NOTE: ALL JOINTS APPLY TO ANY BUILDING CONDITION

2 SECTION DETAIL
RIGHT / LEFT



27
8/16/2017
Lucas A. Turner, P.E.
FL PE #58201
1239 Jabara Ave.
North Port, FL 34288
Ph. 941-380-1574
Turner Engineering
& Consulting, Inc.
FBPE COA #29779



Arconic Architectural Products
50 Industrial Boulevard
Eastman, Georgia 31023 USA
Tel: (478) 374 6871

CONFIDENTIAL AND PROPRIETARY
PROPERTY OF ARCONIC ARCHITECTURAL
PRODUCTS
Which May Be Used Only For Its Benefit
And Which May Not Be Reproduced Or
Disclosed To Others. This Document And
All Copies Must Be Returned On Demand.

SUBMITTAL DWG.
DWG. NO. REYNO-LM-FPA
HVHZ AND NON-HVHZ

REYNOBOND® w/ PE/FR/NC - LARGE MISSILE IMPACT
BACKER SUPPORTS: CMU, 7.2" RIB PANEL 20ga, PLYWOOD 5/8"
ALL BUILDING CONDITIONS, DRY AND WET SEAL

DATE: 12-16-15

REVISION:

SHEET:

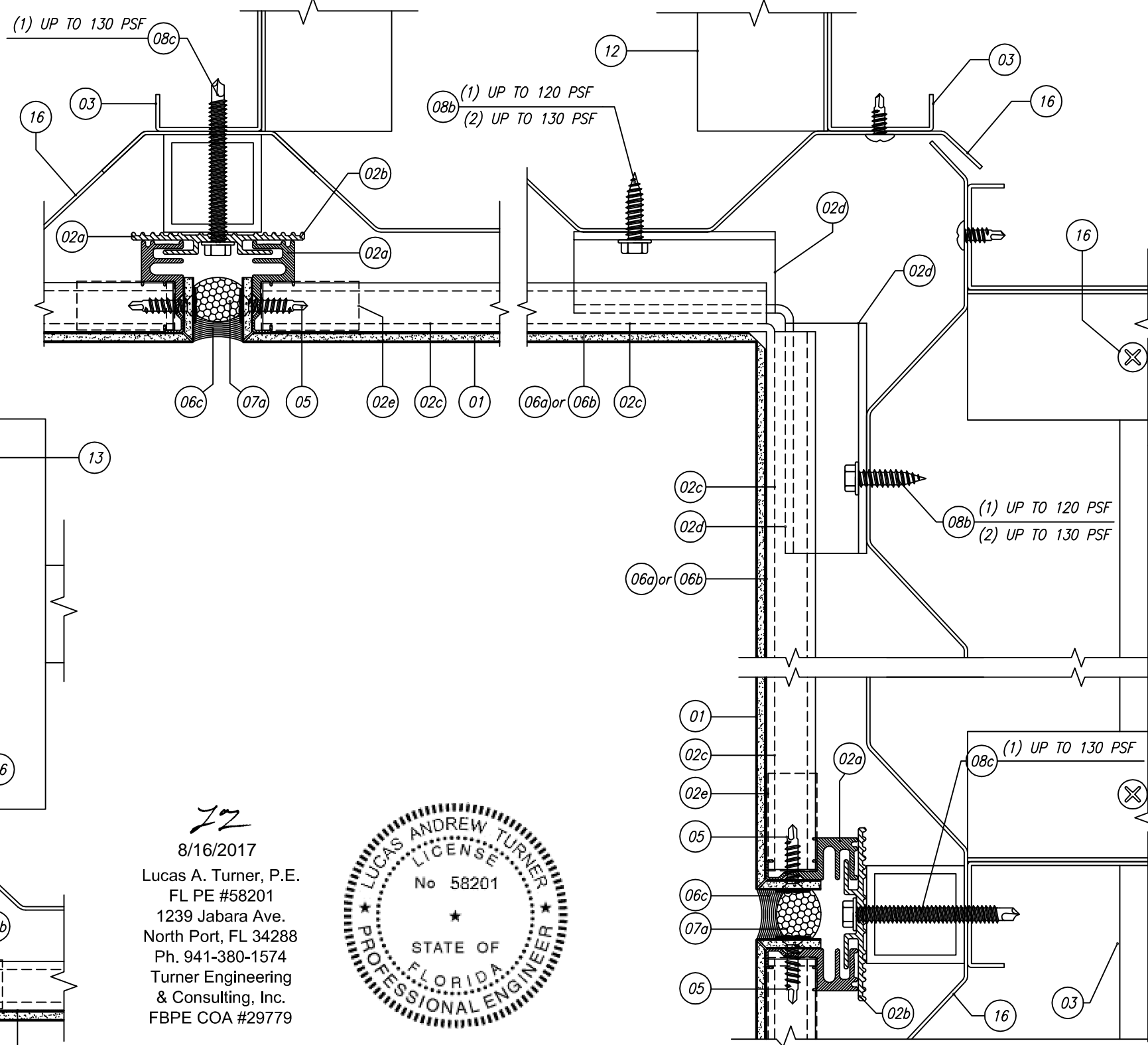
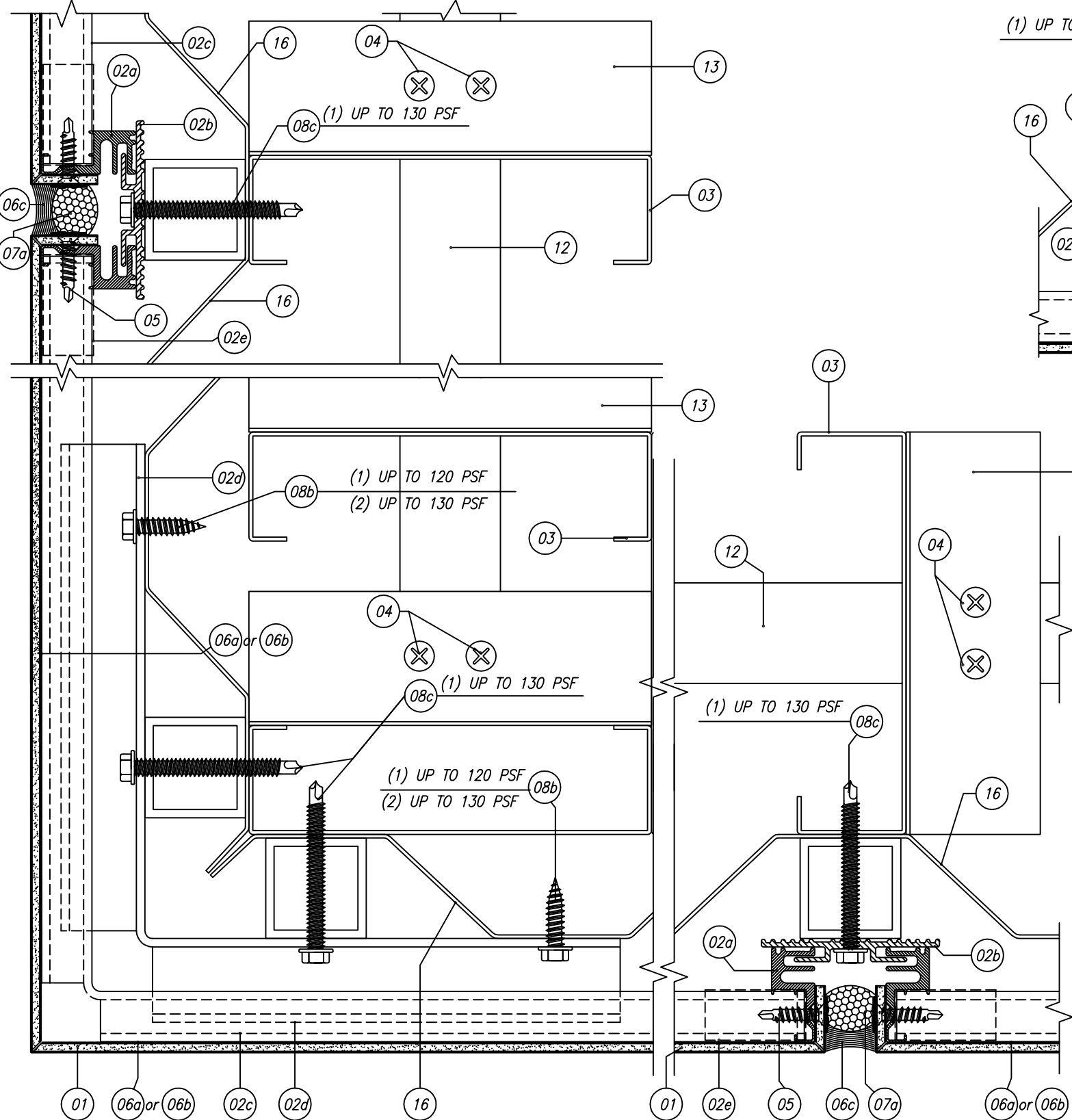
06 OF 21

REYNOBOND® PE/FR/NC w/ BACKER SUPPORT
 7.2" RIB PANEL 20ga
 EXTERNAL CORNER

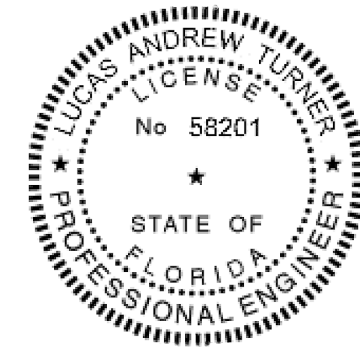
3 SECTION DETAIL
 TOP / BOTTOM

REYNOBOND® PE/FR/NC w/ BACKER SUPPORT
 7.2" RIB PANEL 20ga
 INTERNAL CORNER

4 SECTION DETAIL
 TOP / BOTTOM



72
 8/16/2017
 Lucas A. Turner, P.E.
 FL PE #58201
 1239 Jabara Ave.
 North Port, FL 34288
 Ph. 941-380-1574
 Turner Engineering
 & Consulting, Inc.
 FBPE COA #29779



Arconic Architectural Products
 50 Industrial Boulevard
 Eastman, Georgia 31023 USA
 Tel: (478) 374 6871

CONFIDENTIAL AND PROPRIETARY
 PROPERTY OF ARCONIC ARCHITECTURAL
 PRODUCTS
 Which May Be Used Only For Its Benefit
 And Which May Not Be Reproduced Or
 Disclosed To Others. This Document And
 All Copies Must Be Returned On Demand.

SUBMITTAL DWG.
 DWG. NO. REYNO-LM-FPA
 HVHZ AND NON-HVHZ

REYNOBOND® w/ PE/FR/NC - LARGE MISSILE IMPACT
 BACKER SUPPORTS: 7.2" RIB PANEL 20ga
 ALL BUILDING CONDITIONS, DRY AND WET SEAL

DATE: 12-16-15

REVISION:

SHEET:

07 OF 21

REYNOBOND® PE/FR/NC w/BACKER SUPPORT
OVER CMU

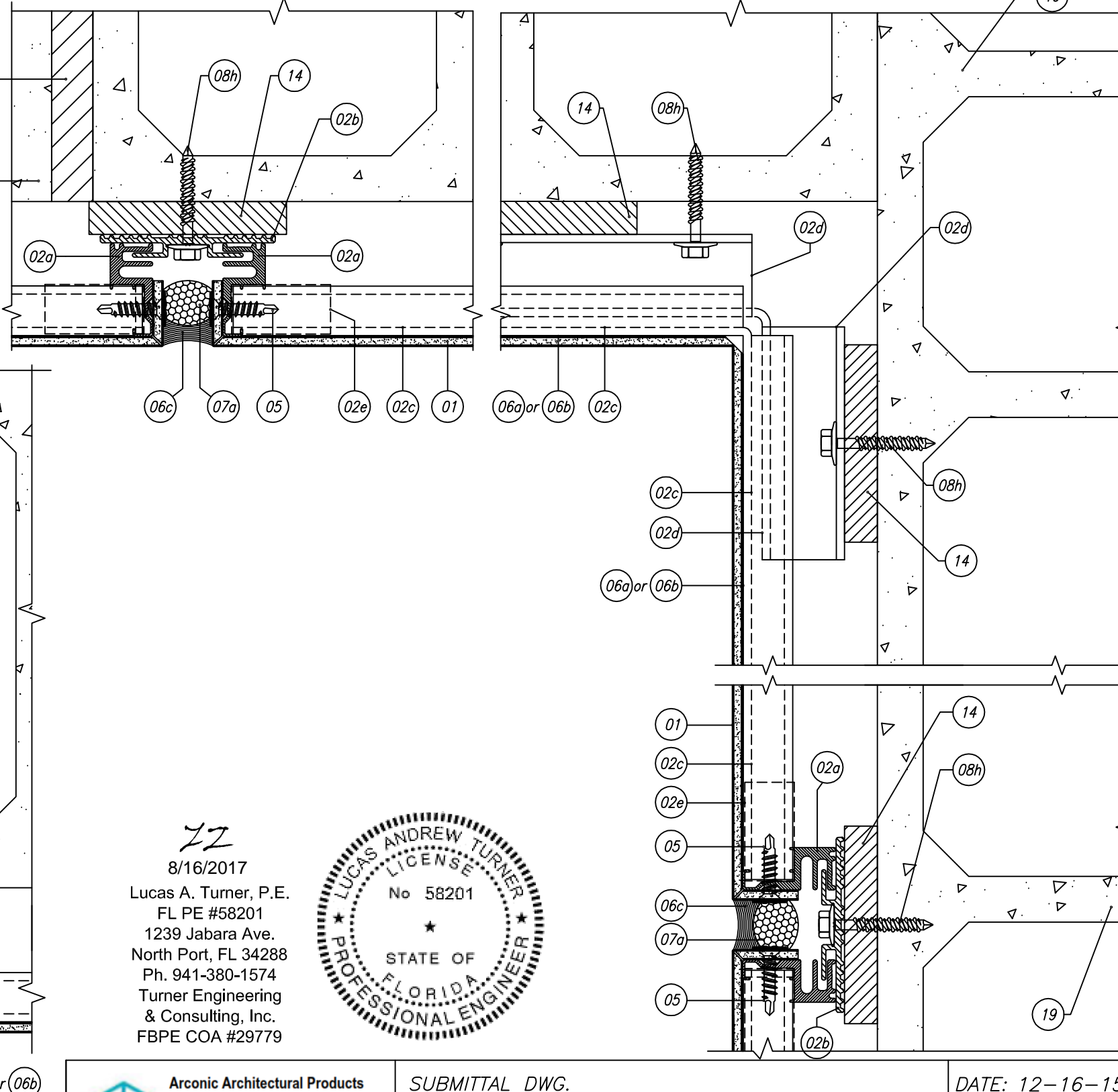
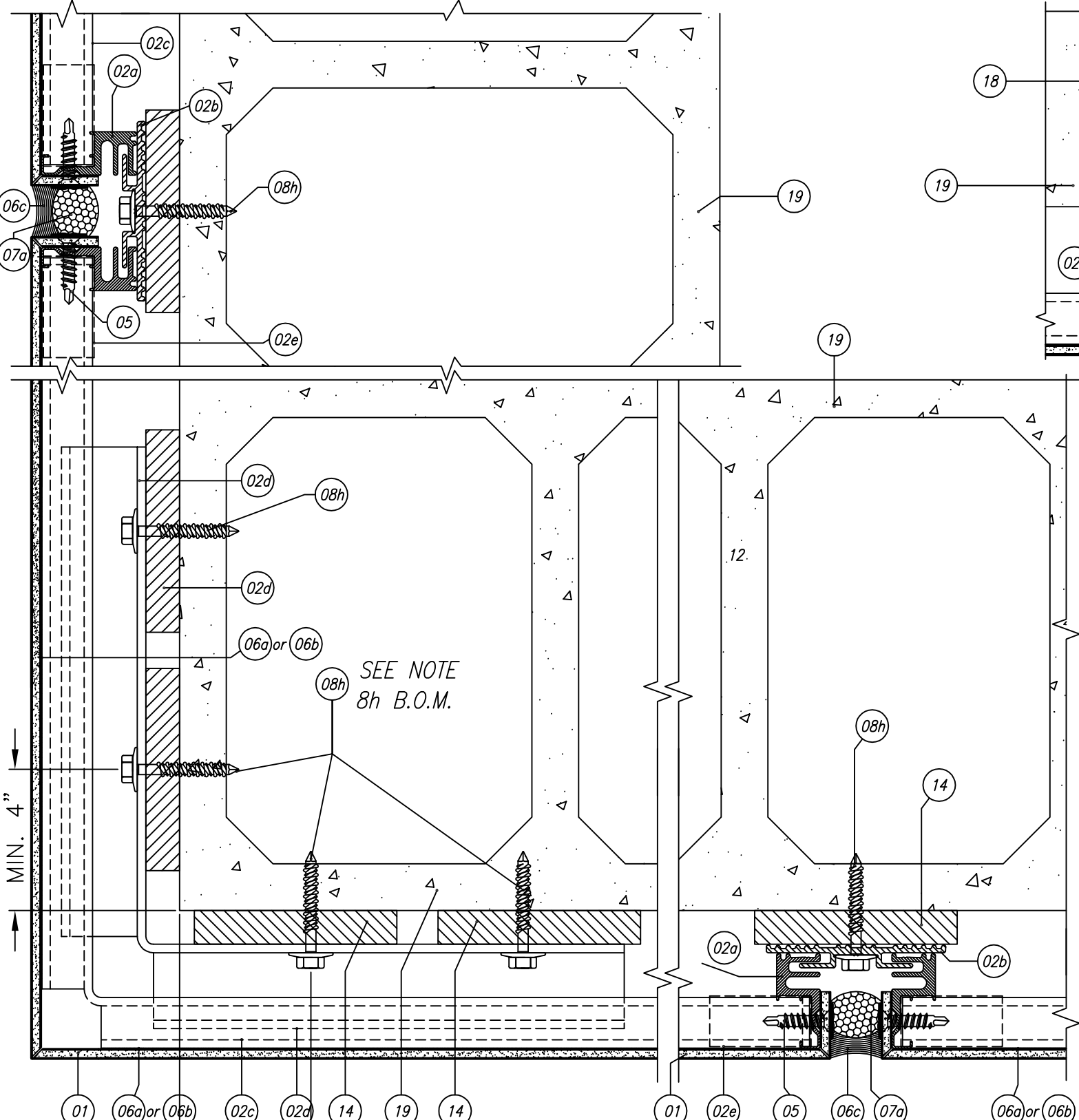
EXTERNAL CORNER

3 SECTION DETAIL
TOP / BOTTOM

REYNOBOND® PE/FR/NC w/BACKER SUPPORT
OVER CMU

INTERNAL CORNER

4 SECTION DETAIL
TOP / BOTTOM




MIN. 4"

SEE NOTE
8h B.O.M.

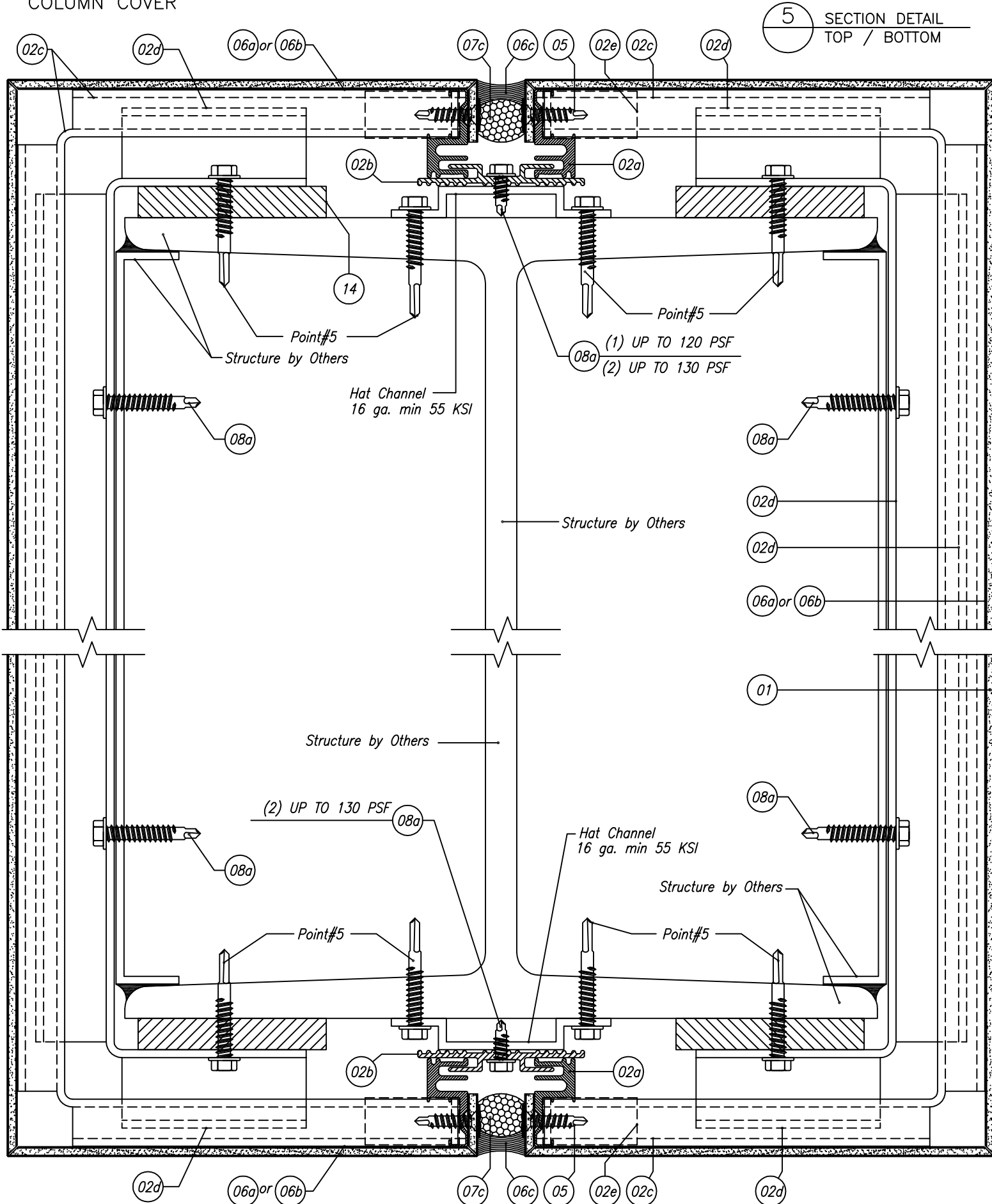
MIN. 1"
SEE NOTE 8h B.O.M.

ZZ
8/16/2017
Lucas A. Turner, P.E.
FL PE #58201
1239 Jabara Ave.
North Port, FL 34288
Ph. 941-380-1574
Turner Engineering
& Consulting, Inc.
FBPE COA #29779

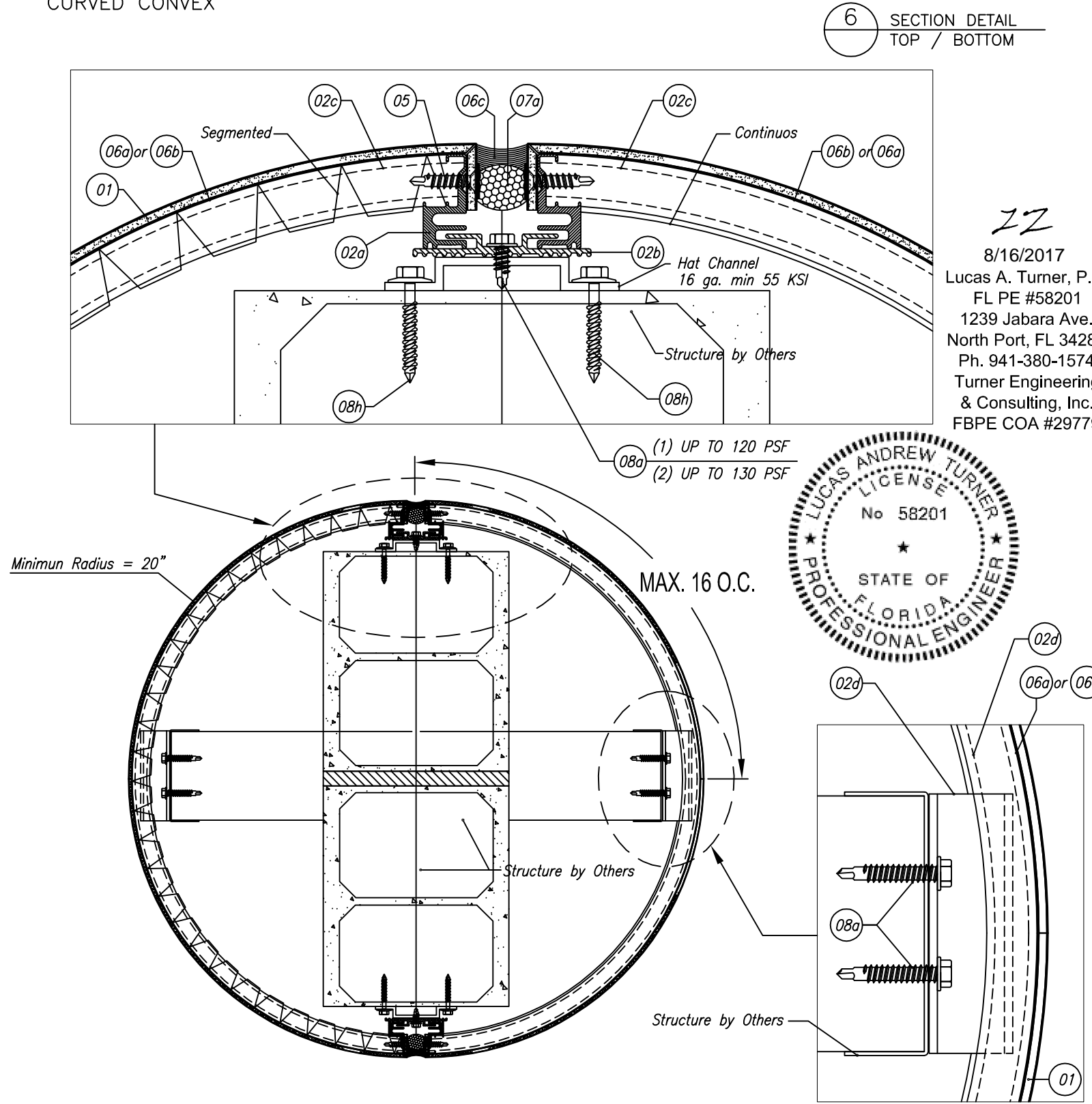


| | | |
|---|--|----------------------------|
|  <p>Arconic Architectural Products 50 Industrial Boulevard Eastman, Georgia 31023 USA Tel: (478) 374 6871</p> <p><small>CONFIDENTIAL AND PROPRIETARY PROPERTY OF ARCONIC ARCHITECTURAL PRODUCTS Which May Be Used Only For Its Benefit And Which May Not Be Reproduced Or Disclosed To Others. This Document And All Copies Must Be Returned On Demand.</small></p> | <p>SUBMITTAL DWG. DWG. NO. REYNO-LM-FPA HVHZ AND NON-HVHZ</p> | <p>DATE: 12-16-15</p> |
| | <p>REYNOBOND® w/ PE/FR/NC - LARGE MISSILE IMPACT BACKER SUPPORTS: CMU/CONCRETE ALL BUILDING CONDITIONS, DRY AND WET SEAL</p> | <p>REVISION:</p> |
| | | <p>SHEET: 08 OF 21</p> |

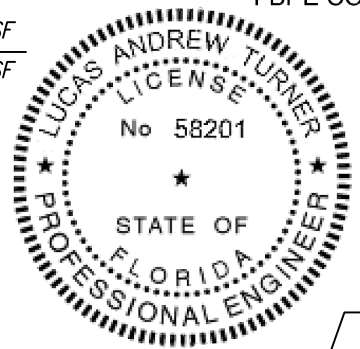
REYNOBOND® PE/FR/NC w/BACKER SUPPORTS: CMU, 7.2" RIB PANEL 20ga, 5/8" PLYWOOD COLUMN COVER




REYNOBOND® PE/FR/NC w/BACKER SUPPORTS: CMU, 7.2" RIB PANEL 20ga, 5/8" PLYWOOD CURVED CONVEX



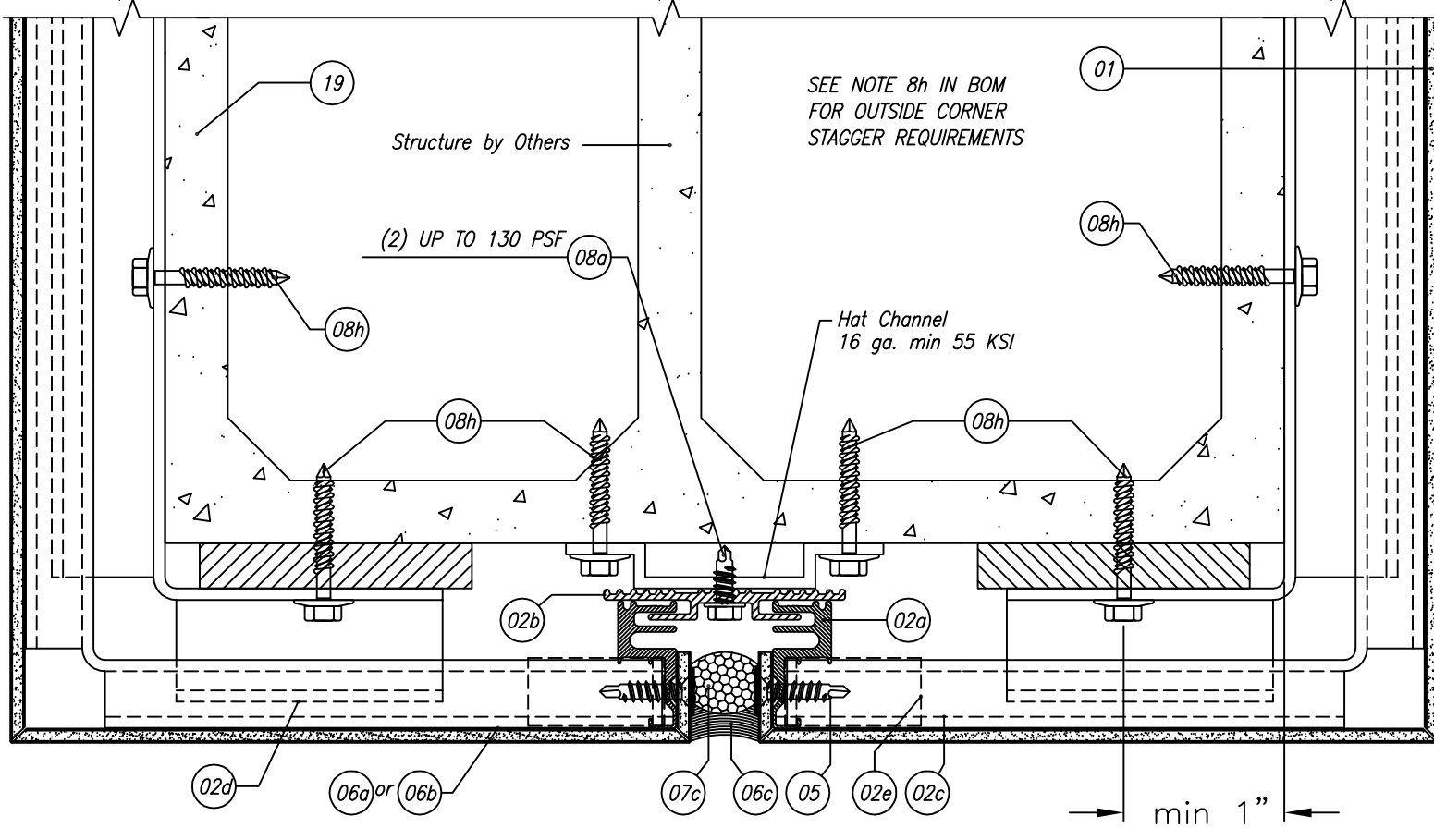
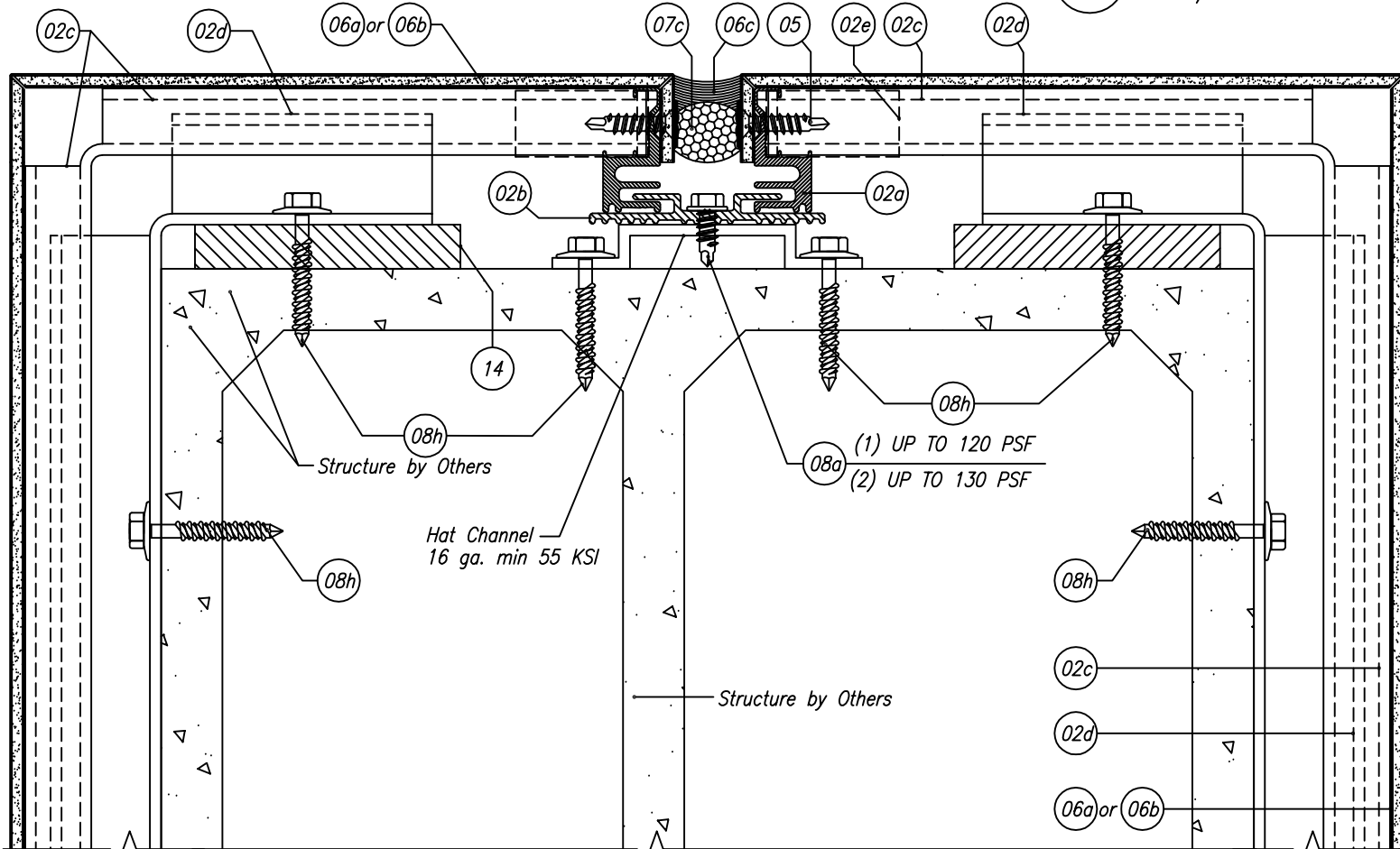
22
 8/16/2017
 Lucas A. Turner, P.E.
 FL PE #58201
 1239 Jabara Ave.
 North Port, FL 34288
 Ph. 941-380-1574
 Turner Engineering
 & Consulting, Inc.
 FBPE COA #29779



| | | |
|--|---|------------------------|
|  Arconic Architectural Products 50 Industrial Boulevard Eastman, Georgia 31023 USA Tel: (478) 374 6871 | SUBMITTAL DWG. DWG. NO. REYNO-LM-FPA HVHZ AND NON-HVHZ REYNOBOND® w/ PE/FR/NC - LARGE MISSILE IMPACT BACKER SUPPORTS: CMU, 7.2" RIB PANEL 20ga, PLYWOOD 5/8" ALL BUILDING CONDITIONS, DRY AND WET SEAL | DATE: 12-16-15 |
| | | REVISION: |
| <small>CONFIDENTIAL AND PROPRIETARY PROPERTY OF ARCONIC ARCHITECTURAL PRODUCTS Which May Be Used Only For Its Benefit And Which May Not Be Reproduced Or Disclosed To Others. This Document And All Copies Must Be Returned On Demand.</small> | | SHEET: 09 OF 21 |

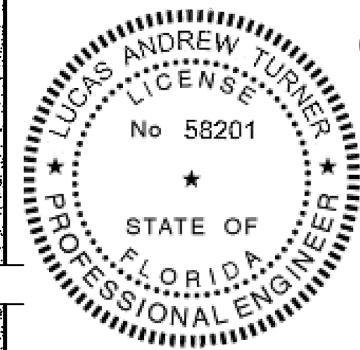
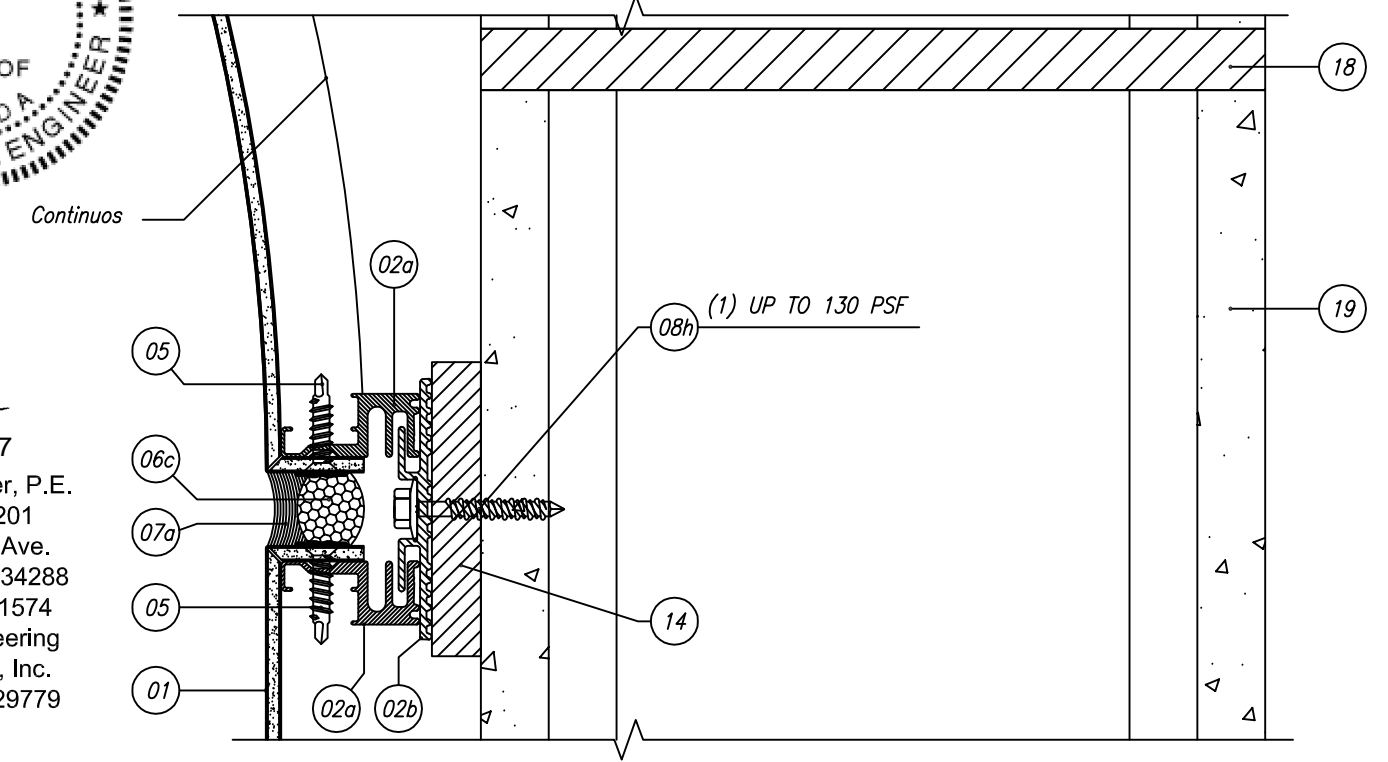
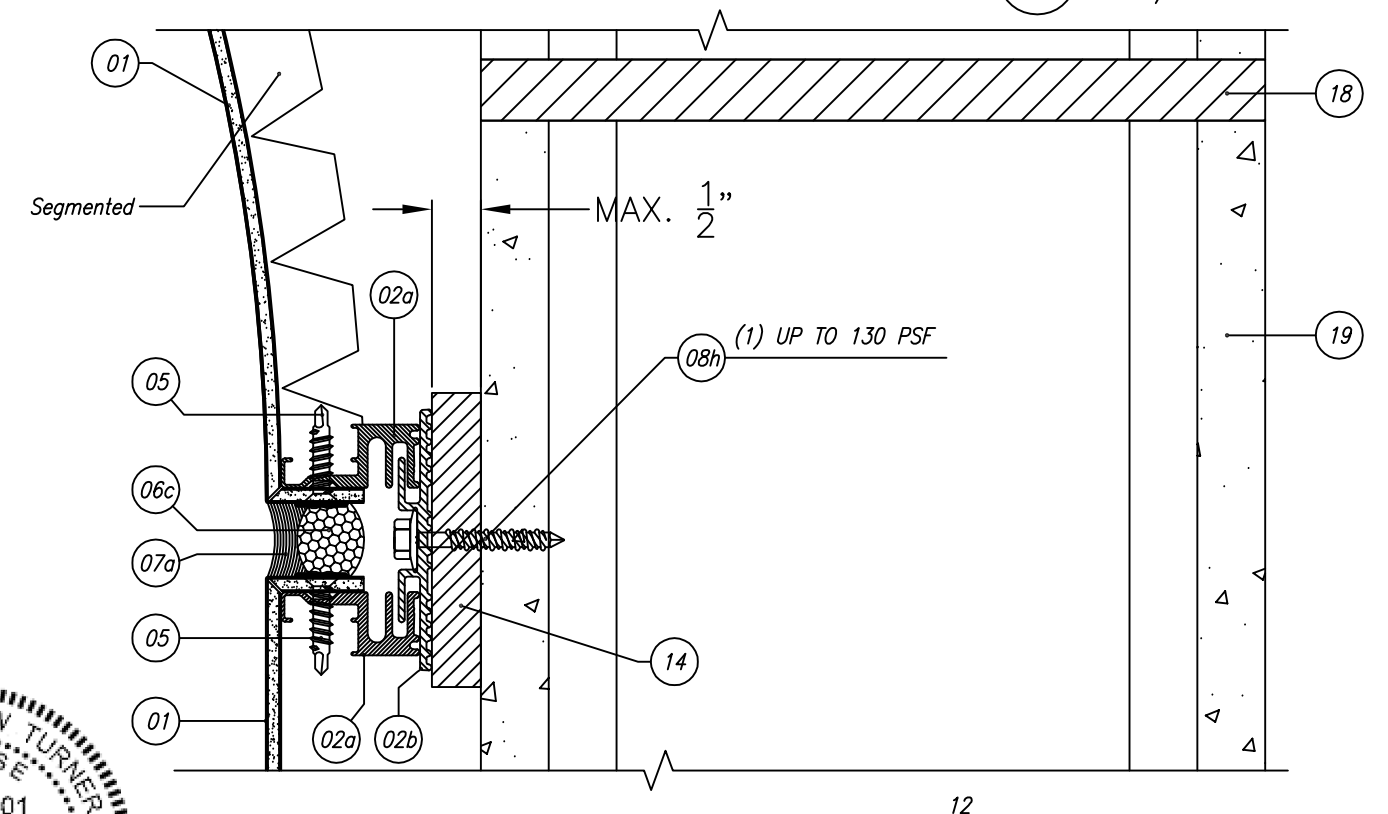
REYNOBOND® PE/FR/NC w/ BACKER SUPPORT OVER CMU COLUMN COVER

5 SECTION DETAIL
TOP / BOTTOM



REYNOBOND® PE/FR/NC w/ BACKER SUPPORT OVER CMU CURVED CONCAVE

7 SECTION DETAIL
TOP / BOTTOM



LT
8/16/2017
Lucas A. Turner, P.E.
FL PE #58201
1239 Jabara Ave.
North Port, FL 34288
Ph. 941-380-1574
Turner Engineering
& Consulting, Inc.
FBPE COA #29779

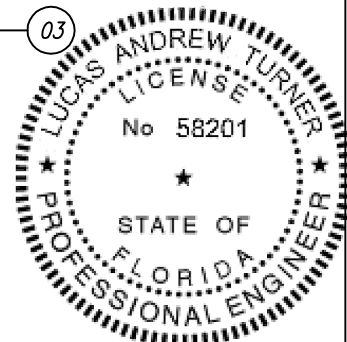
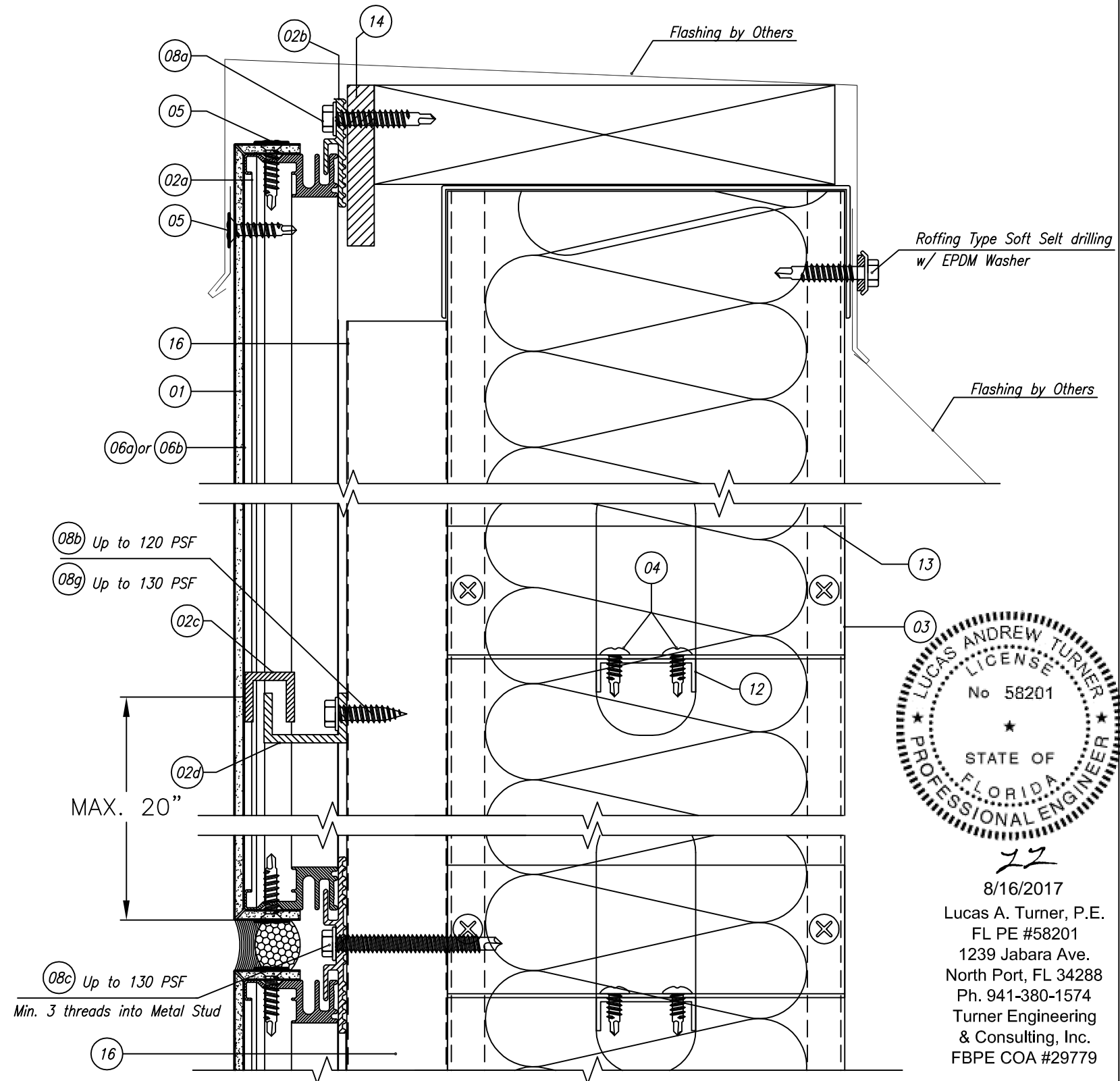
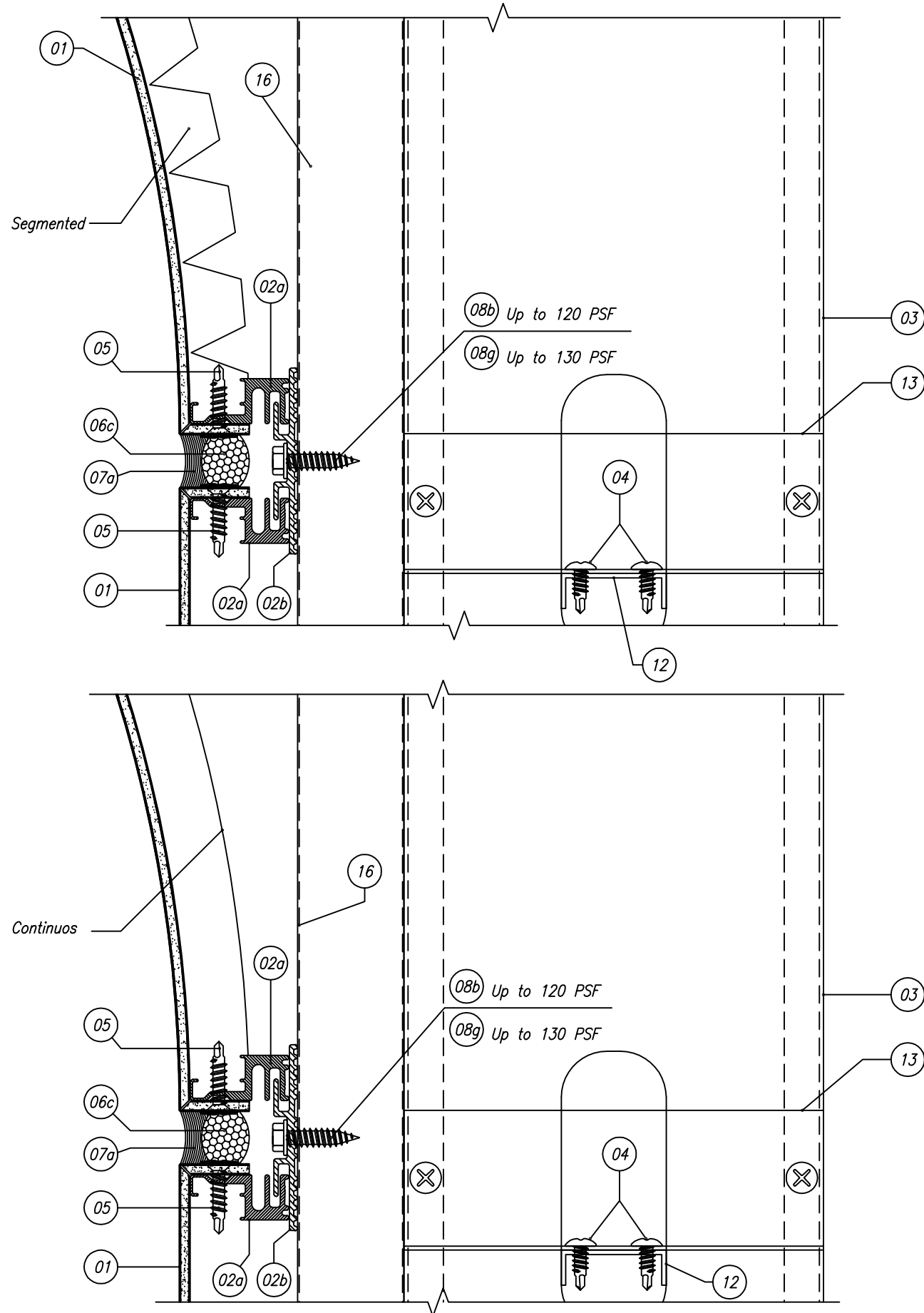
Arconic Architectural Products
50 Industrial Boulevard
Eastman, Georgia 31023 USA
Tel: (478) 374 6871

CONFIDENTIAL AND PROPRIETARY
PROPERTY OF ARCONIC ARCHITECTURAL
PRODUCTS
Which May Be Used Only For Its Benefit
And Which May Not Be Reproduced Or
Disclosed To Others. This Document And
All Copies Must Be Returned On Demand.


SUBMITTAL DWG.
DWG. NO. REYNO-LM-FPA
HVHZ AND NON-HVHZ

REYNOBOND® w/ PE/FR/NC - LARGE MISSILE IMPACT
BACKER SUPPORTS: CMU / CONCRETE
ALL BUILDING CONDITIONS, DRY AND WET SEAL

DATE: 12-16-15
REVISION:
SHEET:
10 OF 21

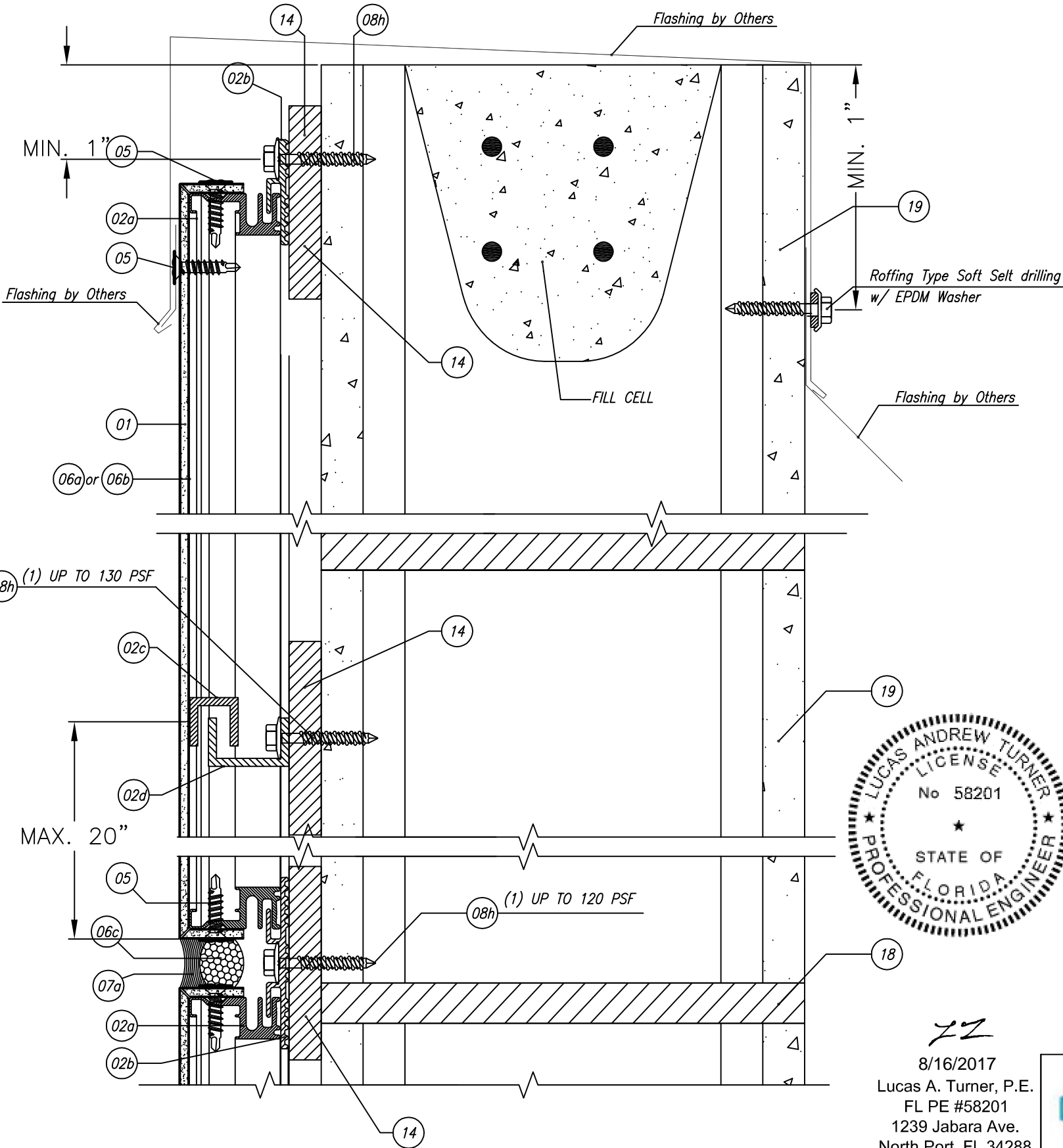


22
8/16/2017
Lucas A. Turner, P.E.
FL PE #58201
1239 Jabara Ave.
North Port, FL 34288
Ph. 941-380-1574
Turner Engineering
& Consulting, Inc.
FBPE COA #29779

| | | |
|---|---|----------------------------|
|  <p>Arconic Architectural Products 50 Industrial Boulevard Eastman, Georgia 31023 USA Tel: (478) 374 6871</p> <p><small>CONFIDENTIAL AND PROPRIETARY PROPERTY OF ARCONIC ARCHITECTURAL PRODUCTS Which May Be Used Only For Its Benefit And Which May Not Be Reproduced Or Disclosed To Others. This Document And All Copies Must Be Returned On Demand.</small></p> | <p>SUBMITTAL DWG. DWG. NO. REYNO-LM-FPA HVHZ AND NON-HVHZ</p> | <p>DATE: 12-16-15</p> |
| | <p>REYNOBOND® w/ PE/FR/NC - LARGE MISSILE IMPACT BACKER SUPPORTS: 7.2" RIB PANEL 20ga ALL BUILDING CONDITIONS, DRY AND WET SEAL</p> | <p>REVISION:</p> |
| | | <p>SHEET: 11 OF 21</p> |

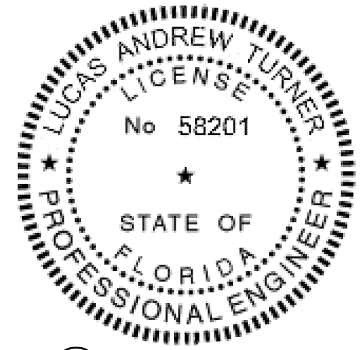
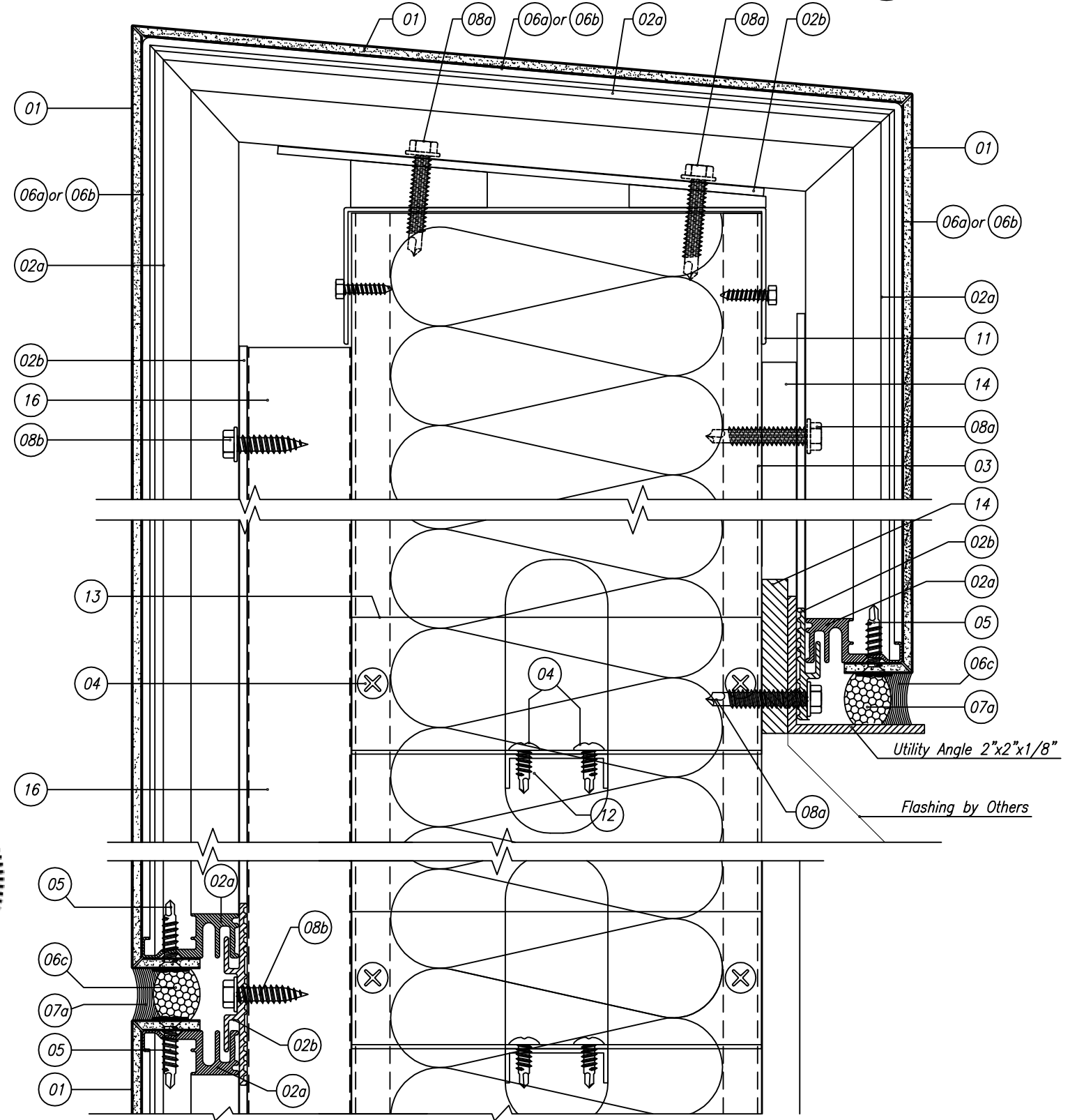
REYNOBOND® PE/FR/NC w/BACKER SUPPORT OVER CMU
PARAPET W/ FLASHING

8 SECTION DETAIL
A RIGHT / LEFT



REYNOBOND® PE/FR/NC w/BACKER SUPPORT OVER 7.2" RIB PANEL 20ga
PARAPET W/ REYNOBOND

8 SECTION DETAIL
B RIGHT / LEFT



8/16/2017
Lucas A. Turner, P.E.
FL PE #58201
1239 Jabara Ave.
North Port, FL 34288
Ph. 941-380-1574
Turner Engineering
& Consulting, Inc.
FBPE COA #29779

Arconic Architectural Products
50 Industrial Boulevard
Eastman, Georgia 31023 USA
Tel: (478) 374 6871

CONFIDENTIAL AND PROPRIETARY
PROPERTY OF ARCONIC ARCHITECTURAL
PRODUCTS
Which May Be Used Only For Its Benefit
And Which May Not Be Reproduced Or
Disclosed To Others. This Document And
All Copies Must Be Returned On Demand.

SUBMITTAL DWG.
DWG. NO. REYNO-LM-FPA
HVHZ AND NON-HVHZ

REYNOBOND® w/ PE/FR/NC - LARGE MISSILE IMPACT
BACKER SUPPORTS: CMU, 7.2" RIB PANEL 20ga, PLYWOOD 5/8"
PARAPET, DRY AND WET SEAL

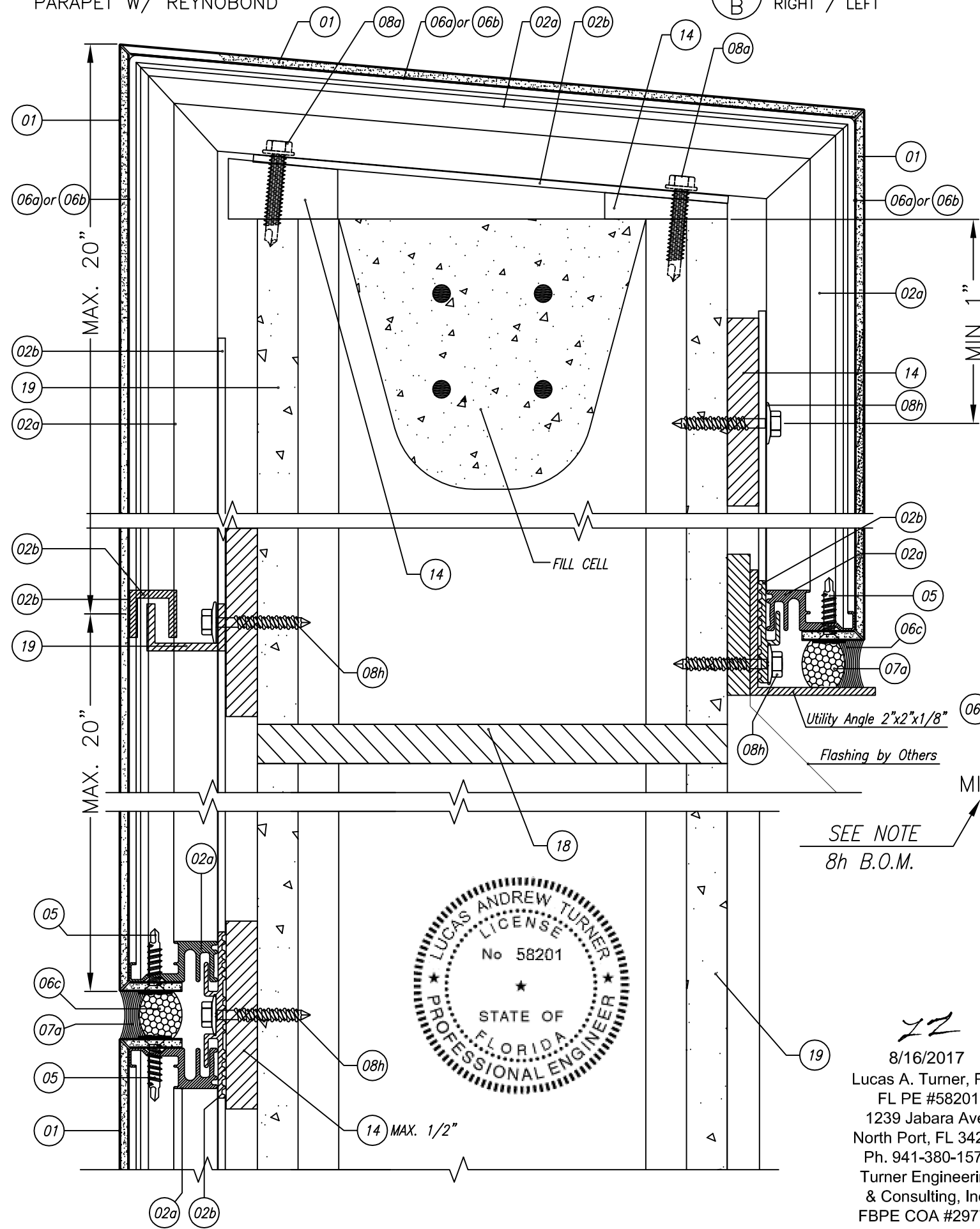
DATE: 12-16-15

REVISION:

SHEET:

REYNOBOND® PE/FR/NC w/BACKER SUPPORT OVER CMU
PARAPET W/ REYNOBOND

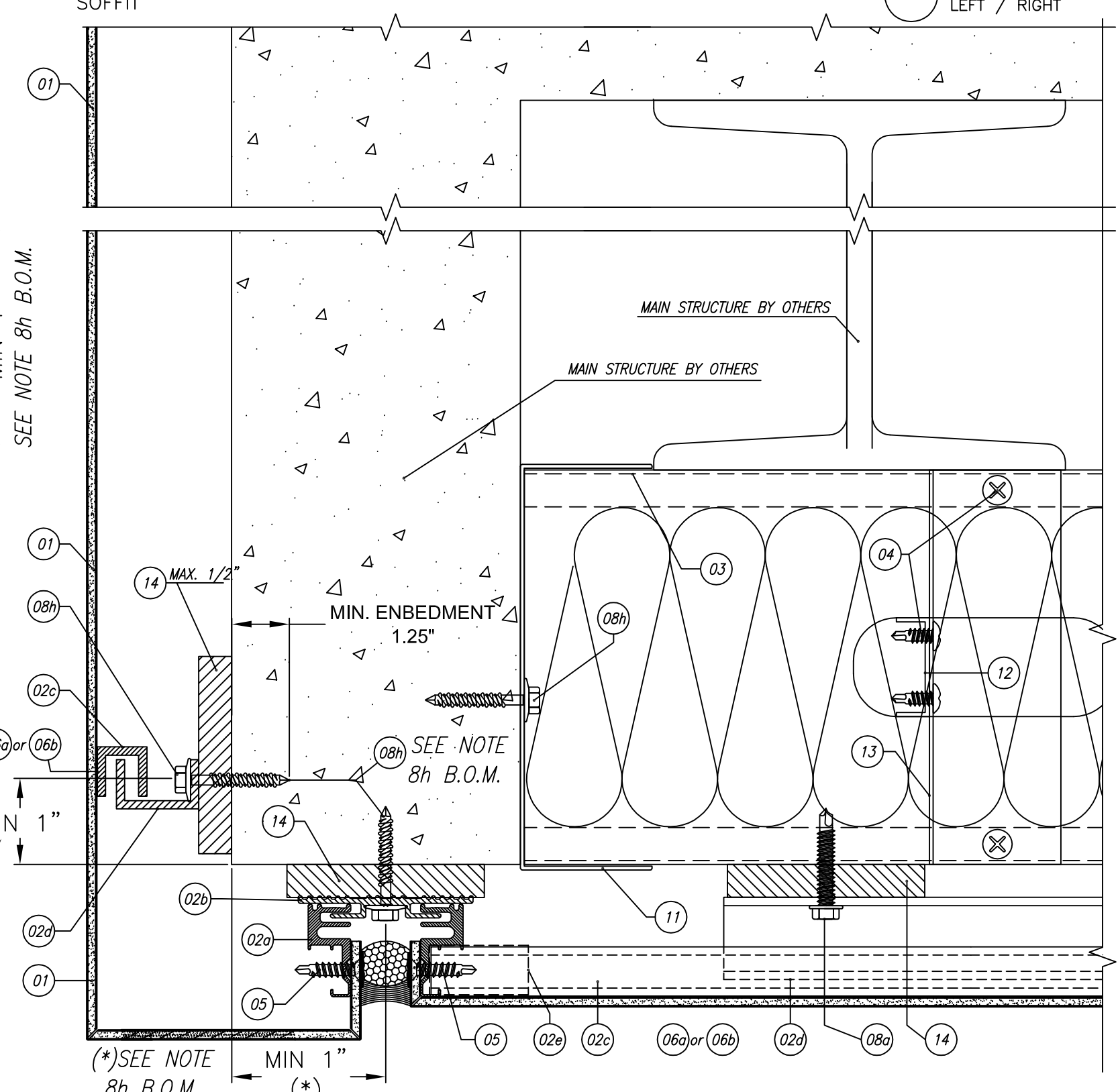
8 SECTION DETAIL
RIGHT / LEFT




8/16/2017
Lucas A. Turner, P.E.
FL PE #58201
1239 Jabara Ave.
North Port, FL 34288
Ph. 941-380-1574
Turner Engineering
& Consulting, Inc.
FBPE COA #29779

REYNOBOND® PE/FR/NC w/BACKER SUPPORT OVER CMU OR CONCRETE
SOFFIT

9 SECTION DETAIL
LEFT / RIGHT



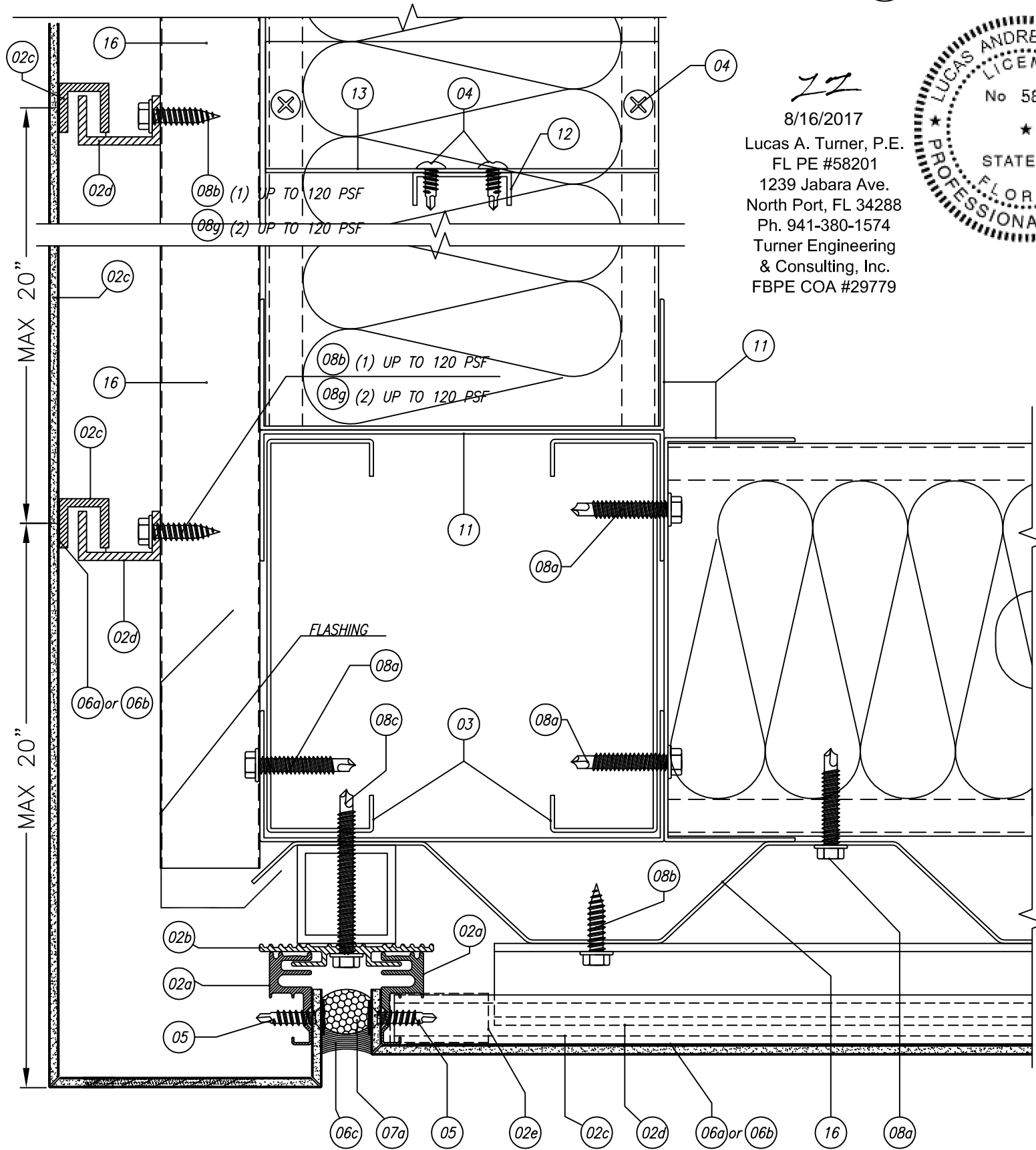
| | | |
|---|---|----------------------------|
|  <p>Arconic Architectural Products 50 Industrial Boulevard Eastman, Georgia 31023 USA Tel: (478) 374 6871</p> <p><small>CONFIDENTIAL AND PROPRIETARY PROPERTY OF ARCONIC ARCHITECTURAL PRODUCTS Which May Be Used Only For Its Benefit And Which May Not Be Reproduced Or Disclosed To Others. This Document And All Copies Must Be Returned On Demand.</small></p> | <p>SUBMITTAL DWG. DWG. NO. REYNO-LM-FPA HVHZ AND NON-HVHZ</p> | <p>DATE: 12-16-15</p> |
| | <p>REYNOBOND® w/ PE/FR/NC - LARGE MISSILE IMPACT BACKER SUPPORTS: CMU/CONCRETE PARAPET/SOFFIT, DRY AND WET SEAL</p> | <p>REVISION:</p> |
| | | <p>SHEET: 13 OF 21</p> |

REYNOBOND® PE/FR/NC w/BACKER SUPPORT OVER 7.2" RIB PANEL 20ga SOFFIT

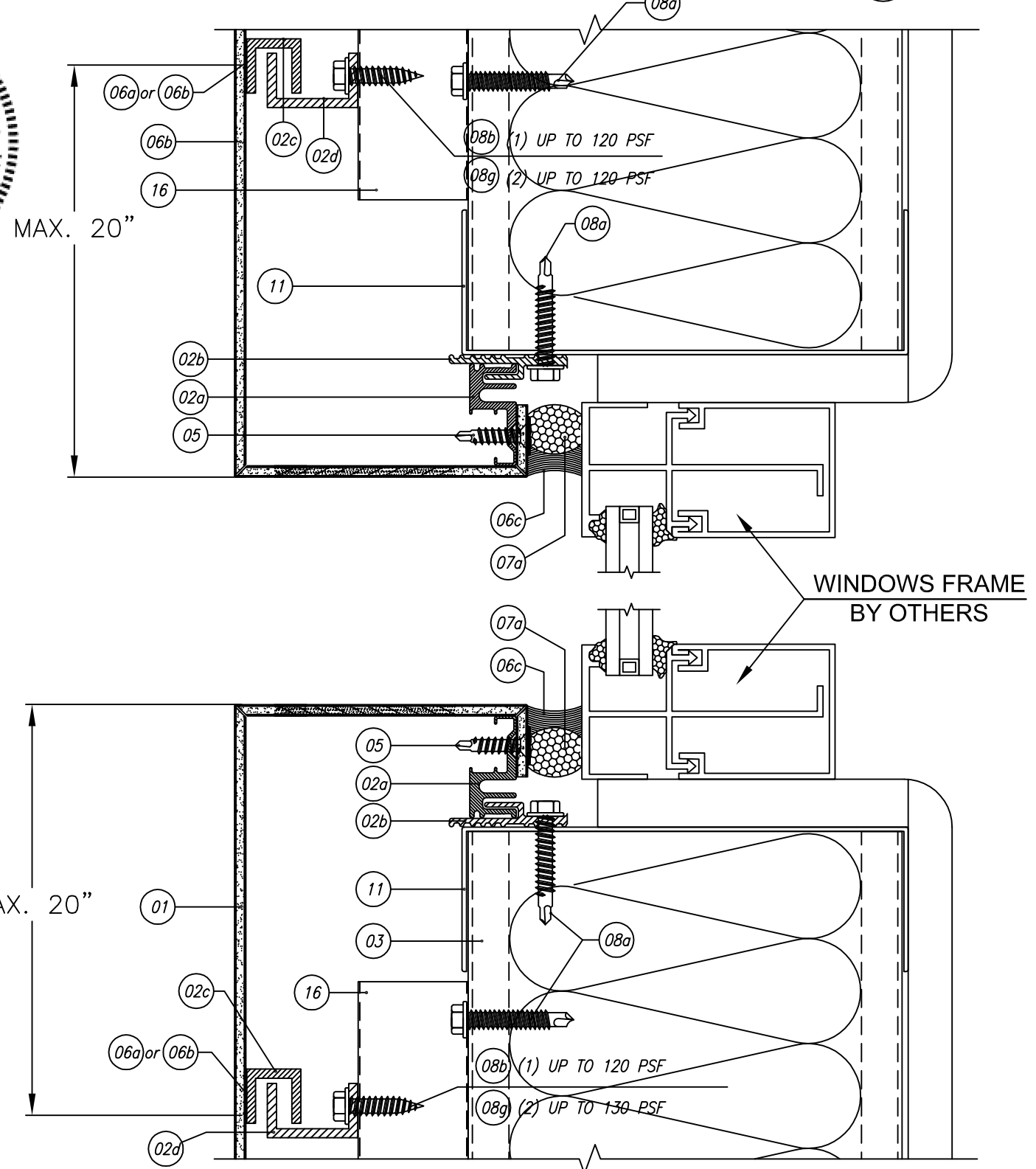
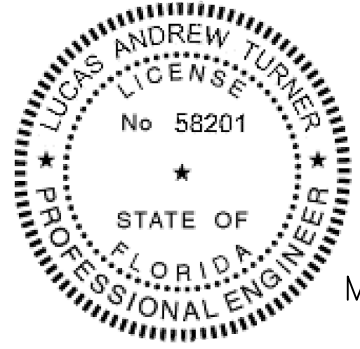
9 SECTION DETAIL LEFT / RIGHT


REYNOBOND® PE/FR/NC w/BACKER SUPPORT OVER 7.2" RIB PANEL 20ga RECESS OPENING

10 SECTION DETAIL TOP / BOTTOM



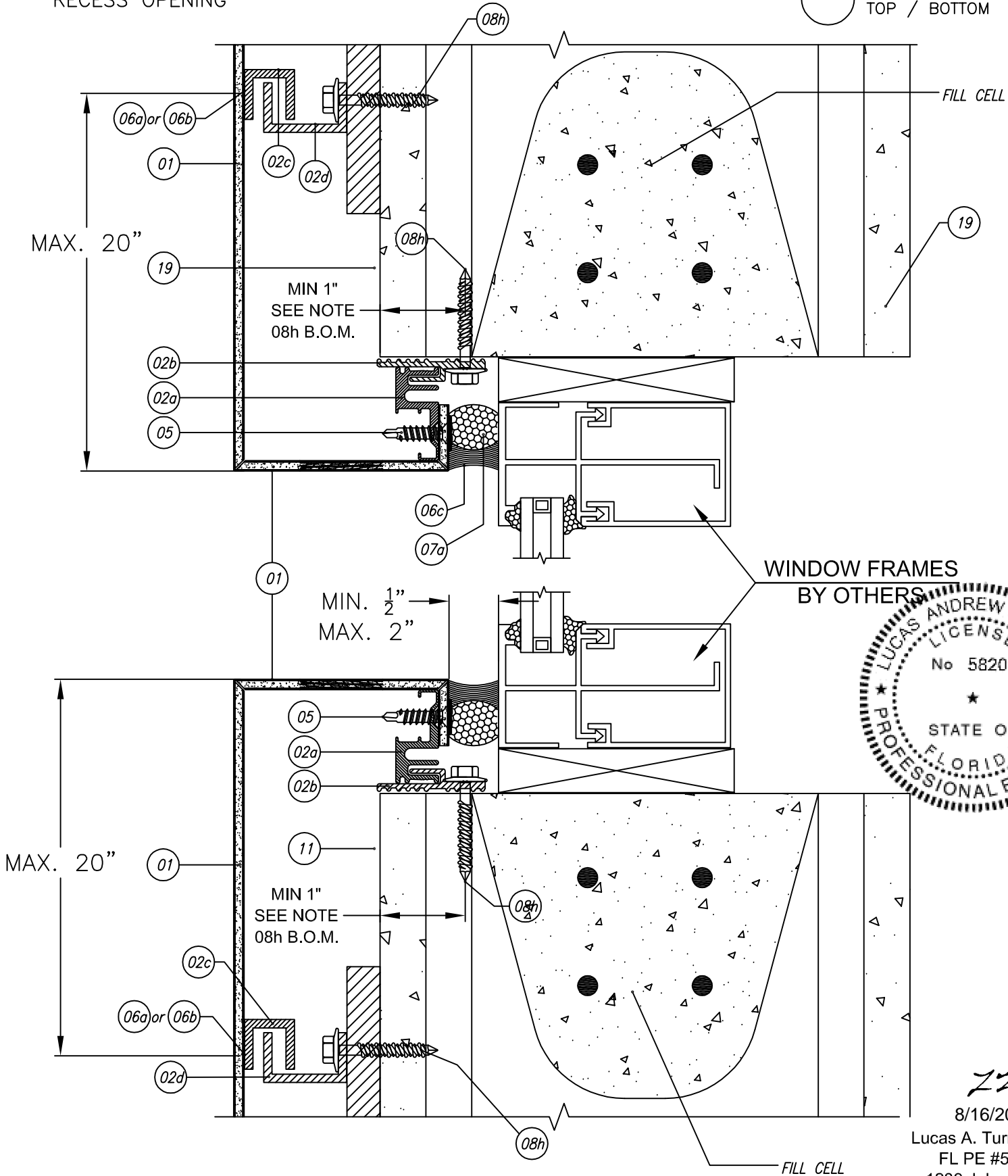
8/16/2017
 Lucas A. Turner, P.E.
 FL PE #58201
 1239 Jabara Ave.
 North Port, FL 34288
 Ph. 941-380-1574
 Turner Engineering
 & Consulting, Inc.
 FBPE COA #29779



| | | |
|--|---|----------------|
|  <p>Arconic Architectural Products 50 Industrial Boulevard Eastman, Georgia 31023 USA Tel: (478) 374 6871</p> | <p>SUBMITTAL DWG. DWG. NO. REYNO-LM-FPA HVHZ AND NON-HVHZ</p> | DATE: 12-16-15 |
| | | REVISION: |
| <p>CONFIDENTIAL AND PROPRIETARY PROPERTY OF ARCONIC ARCHITECTURAL PRODUCTS Which May Be Used Only For Its Benefit And Which May Not Be Reproduced Or Disclosed To Others. This Document And All Copies Must Be Returned On Demand.</p> | <p>REYNOBOND® w/ PE/FR/NC - LARGE MISSILE IMPACT BACKER SUPPORTS: 7.2" RIB PANEL 20ga ALL BUILDING CONDITIONS, DRY AND WET SEAL</p> | SHEET: |
| | | 14 OF 21 |

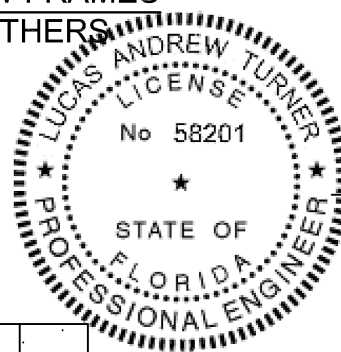
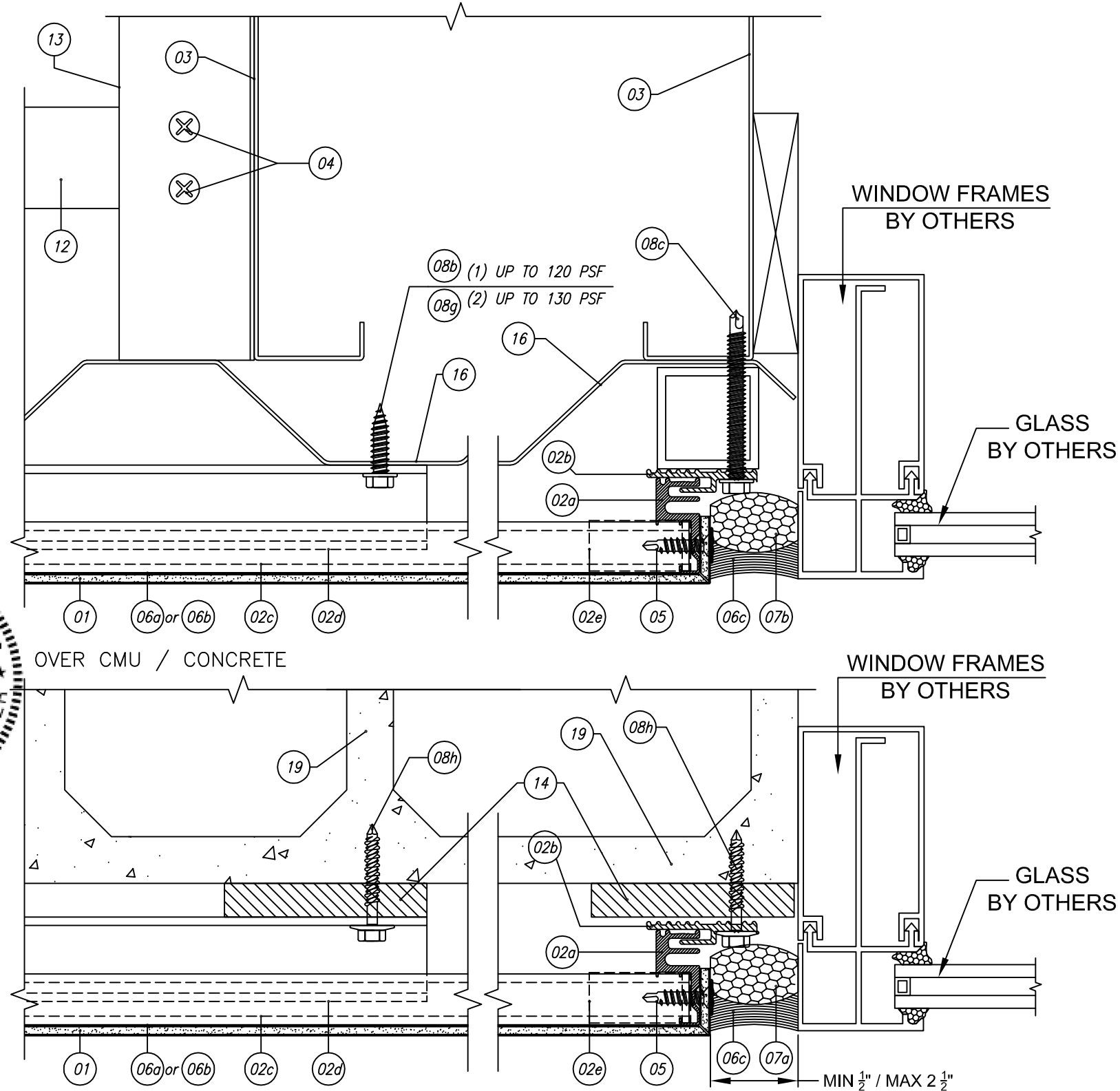
REYNOBOND® PE/FR/NC w/BACKER SUPPORT OVER CMU RECESS OPENING

10 SECTION DETAIL TOP / BOTTOM



REYNOBOND® PE/FR/NC w/BACKER SUPPORT OVER 7.2" RIB PANEL 20ga FLASH OPENING

11 SECTION DETAIL TOP / BOTTOM



ZZ

8/16/2017
 Lucas A. Turner, P.E.
 FL PE #58201
 1239 Jabara Ave.
 North Port, FL 34288
 Ph. 941-380-1574
 Turner Engineering
 & Consulting, Inc.
 FBPE COA #29779

Arconic Architectural Products
 50 Industrial Boulevard
 Eastman, Georgia 31023 USA
 Tel: (478) 374 6871

CONFIDENTIAL AND PROPRIETARY
 PROPERTY OF ARCONIC ARCHITECTURAL
 PRODUCTS
 Which May Be Used Only For Its Benefit
 And Which May Not Be Reproduced Or
 Disclosed To Others. This Document And
 All Copies Must Be Returned On Demand.

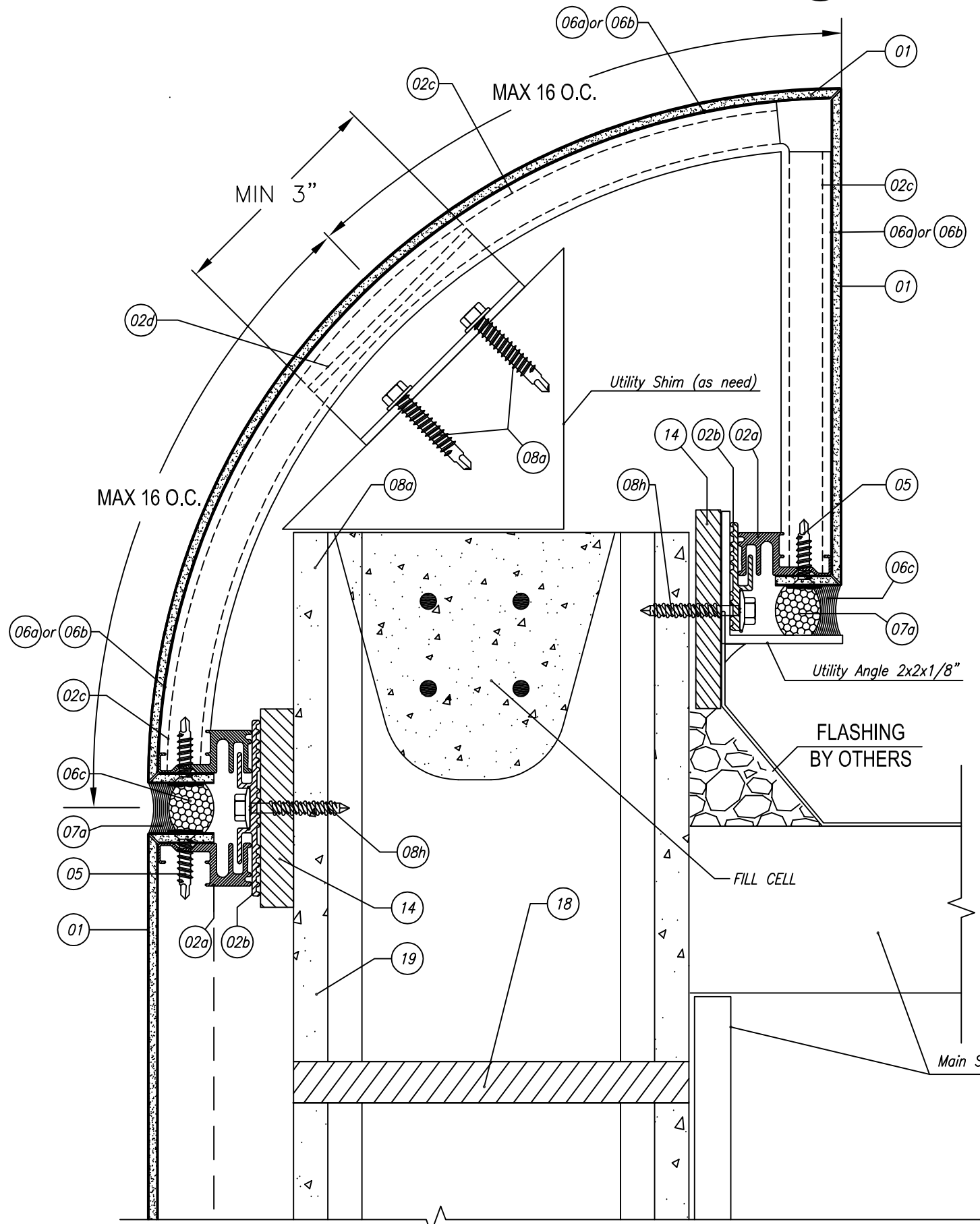
SUBMITTAL DWG.
 DWG. NO. REYNO-LM-FPA
 HVHZ AND NON-HVHZ

REYNOBOND® w/ PE/FR/NC - LARGE MISSILE IMPACT
 BACKER SUPPORTS: CMU, 7.2" RIB PANEL 20ga
 ALL BUILDING CONDITIONS, DRY AND WET SEAL

DATE: 12-16-15
 REVISION:
 SHEET:
 15 OF 21

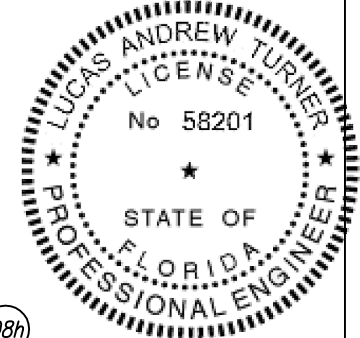
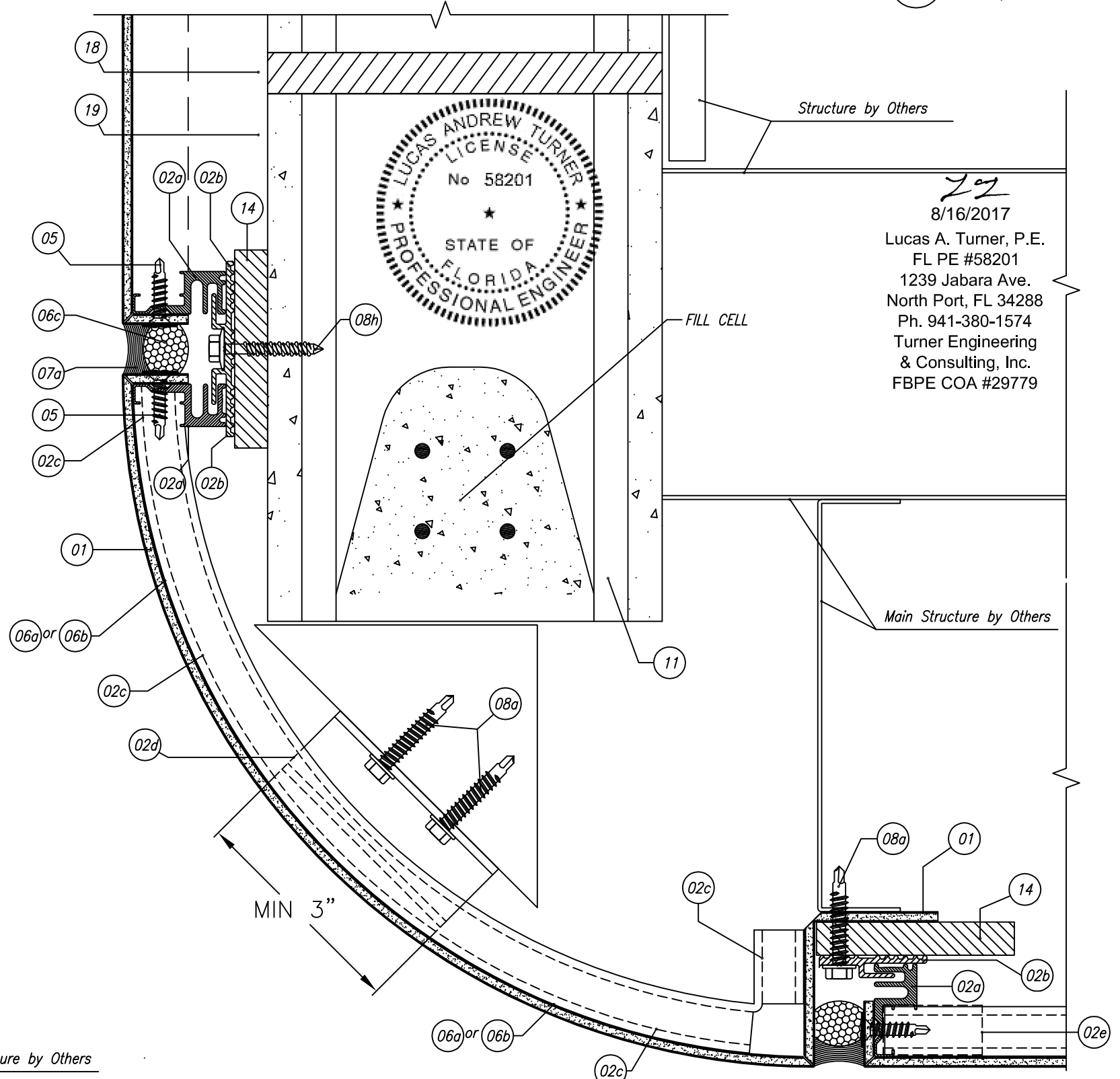
REYNOBOND® PE/FR/NC w/BACKER SUPPORT OVER CMU CANOPY (SUPERIOR)

12 SECTION DETAIL LEFT / RIGHT



REYNOBOND® PE/FR/NC w/BACKER SUPPORT OVER CMU CANOPY (INFERIOR)

12 SECTION DETAIL LEFT / RIGHT



8/16/2017
 Lucas A. Turner, P.E.
 FL PE #58201
 1239 Jabara Ave.
 North Port, FL 34288
 Ph. 941-380-1574
 Turner Engineering
 & Consulting, Inc.
 FBPE COA #29779

Arconic Architectural Products
 50 Industrial Boulevard
 Eastman, Georgia 31023 USA
 Tel: (478) 374 6871

CONFIDENTIAL AND PROPRIETARY
 PROPERTY OF ARCONIC ARCHITECTURAL
 PRODUCTS
 Which May Be Used Only For Its Benefit
 And Which May Not Be Reproduced Or
 Disclosed To Others. This Document and
 All Copies Must Be Returned On Demand.

SUBMITTAL DWG.
 DWG. NO. REYNO-LM-FPA
 HVHZ AND NON-HVHZ

REYNOBOND® w/ PE/FR/NC - LARGE MISSILE IMPACT
 BACKER SUPPORTS: CMU/CONCRETE
 CANOPY, DRY AND WET SEAL

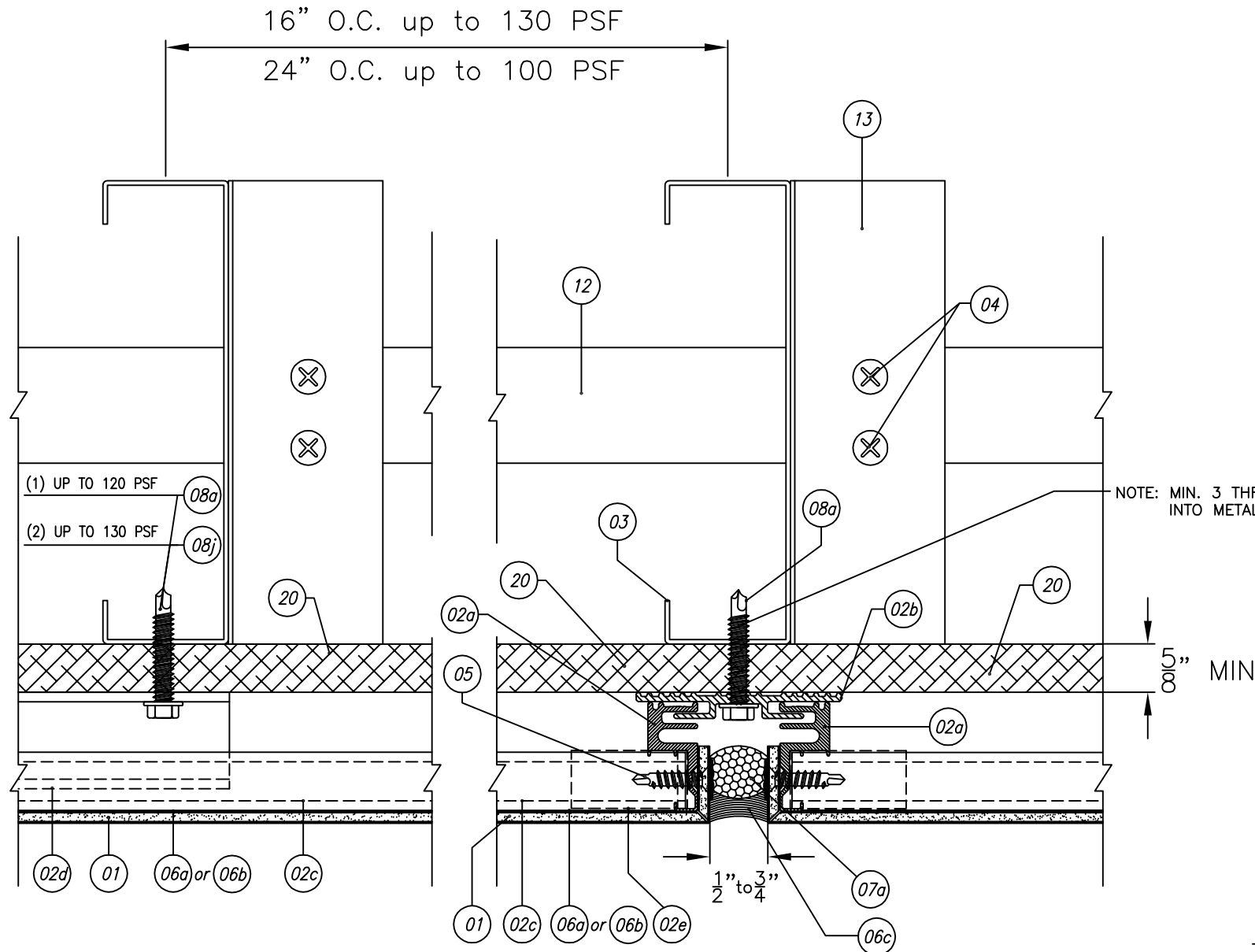
DATE: 12-16-15

REVISION:

SHEET:

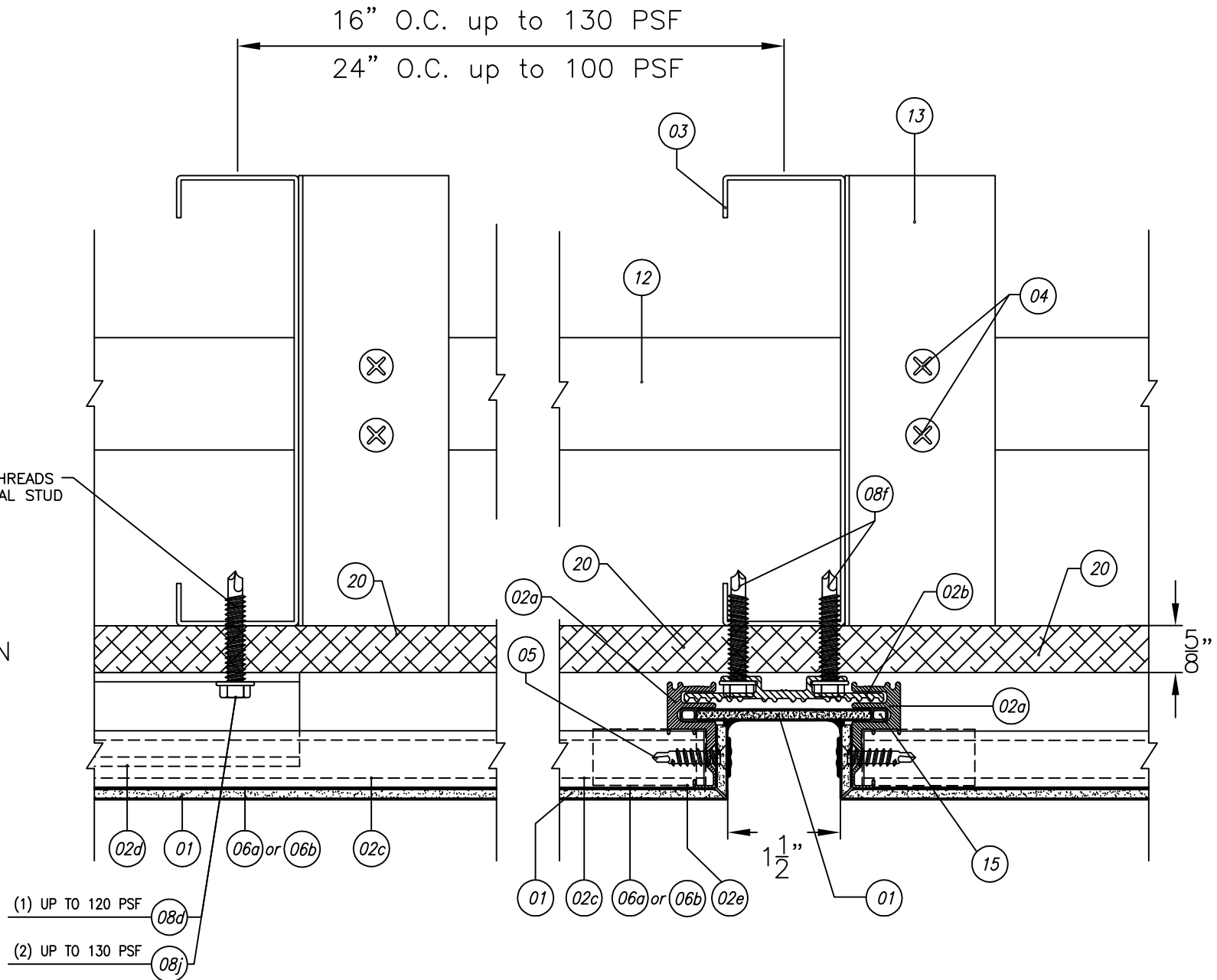
REYNOBOND® w/ PE/FR/NC BACKER SUPPORT OVER
 PLYWOOD 5/8"
 VERTICAL JOINT – 1/2" to 3/4" WET
 NOTE: ALL JOINTS APPLY TO ANY BUILDING CONDITION

A SECTION DETAIL
 TOP / BOTTOM



REYNOBOND® w/ PE/FR/NC BACKER SUPPORT OVER
 PLYWOOD 5/8"
 VERTICAL JOINT – 1-1/2" DRY
 NOTE: ALL JOINTS APPLY TO ANY BUILDING CONDITION

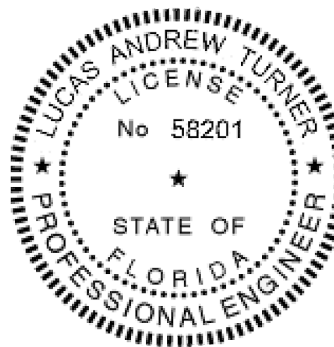
B SECTION DETAIL
 RIGHT / LEFT



77

8/16/2017

Lucas A. Turner, P.E.
 FL PE #58201
 1239 Jabara Ave.
 North Port, FL 34288
 Ph. 941-380-1574
 Turner Engineering
 & Consulting, Inc.
 FBPE COA #29779



Arconic Architectural Products
 50 Industrial Boulevard
 Eastman, Georgia 31023 USA
 Tel: (478) 374 6871

CONFIDENTIAL AND PROPRIETARY
 PROPERTY OF ARCONIC ARCHITECTURAL
 PRODUCTS
 Which May Be Used Only For Its Benefit
 And Which May Not Be Reproduced Or
 Disclosed To Others. This Document and
 All Copies Must Be Returned On Demand.

SUBMITTAL DWG.
 DWG. NO. REYNO-LM-FPA
 HVHZ AND NON-HVHZ

REYNOBOND® w/ PE/FR/NC – LARGE MISSILE IMPACT
 BACKER SUPPORTS: CMU, 7.2" RIB PANEL 20ga, PLYWOOD 5/8"
 ALL BUILDING CONDITIONS, DRY AND WET SEAL

DATE: 12-16-15

REVISION:

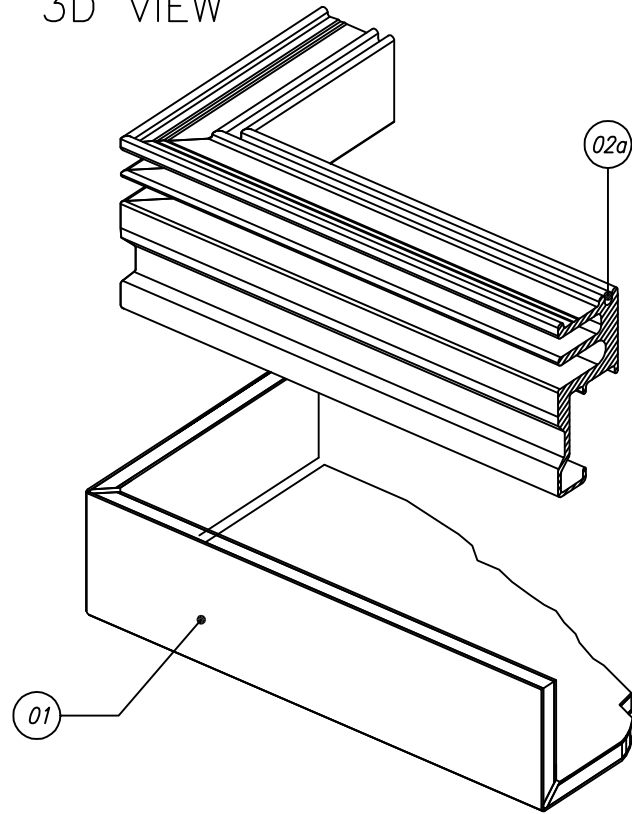
SHEET:

17 OF 21

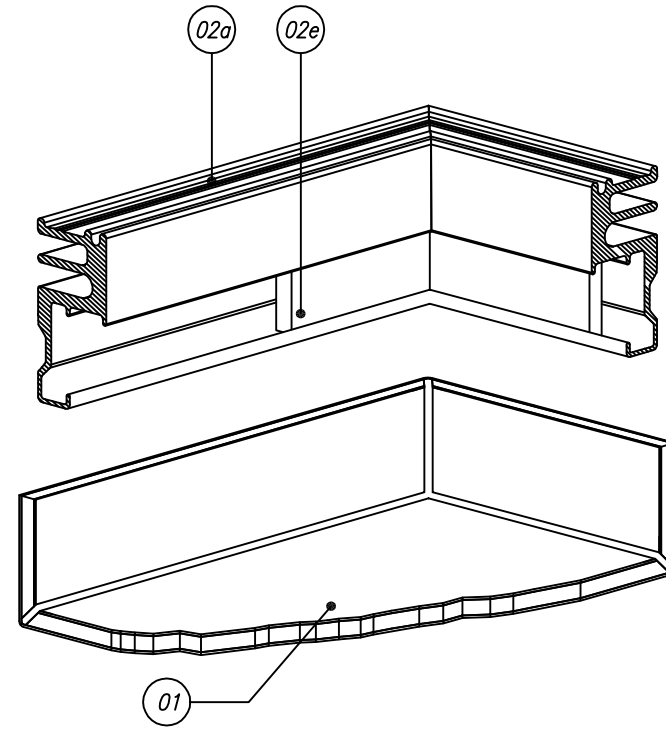
REYNOBOND® PE/FR/NC w/BACKER SUPPORTS: CMU, 7.2" RIB PANEL 20ga, 5/8" PLYWOOD.
 3D VIEW AND SECTIONS – CORNER (ONLY WET SEAL)

REYNOBOND® PE/FR/NC w/BACKER SUPPORTS: CMU, 7.2" RIB PANEL 20ga, 5/8" PLYWOOD.
 3D VIEW AND SECTIONS – CORNER (ONLY DRY SEAL)

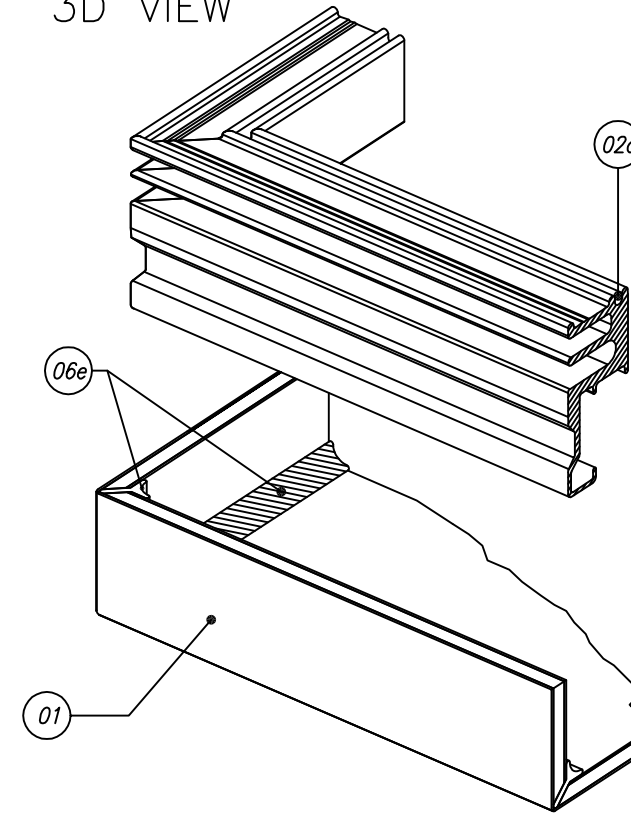
3D VIEW



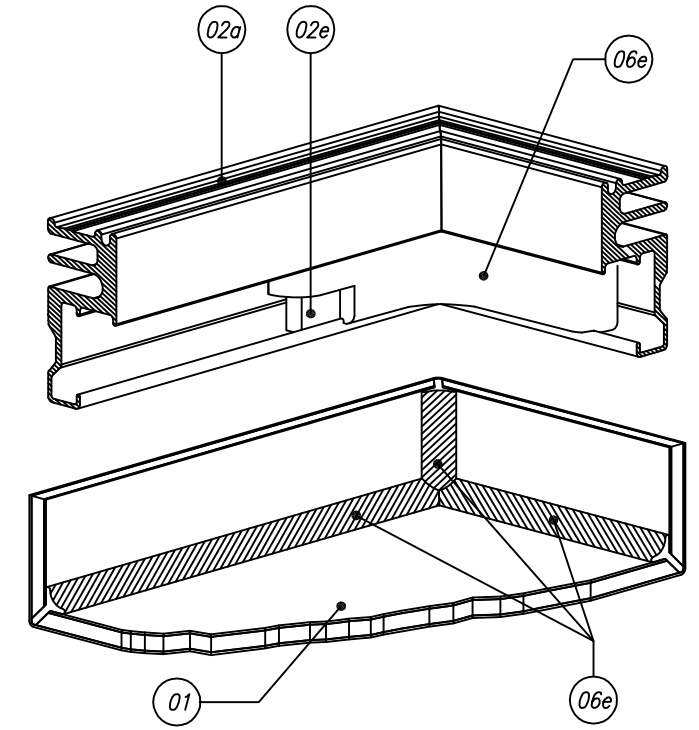
3D VIEW



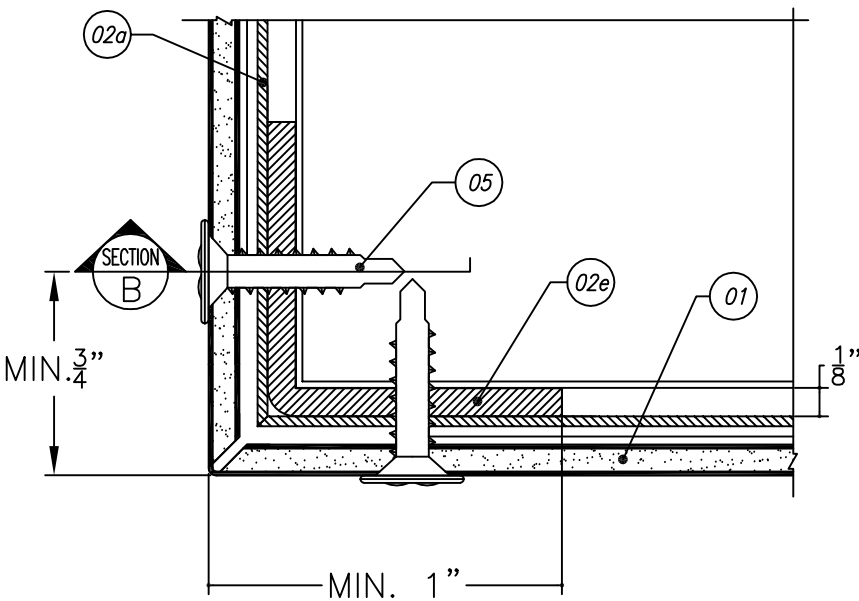
3D VIEW



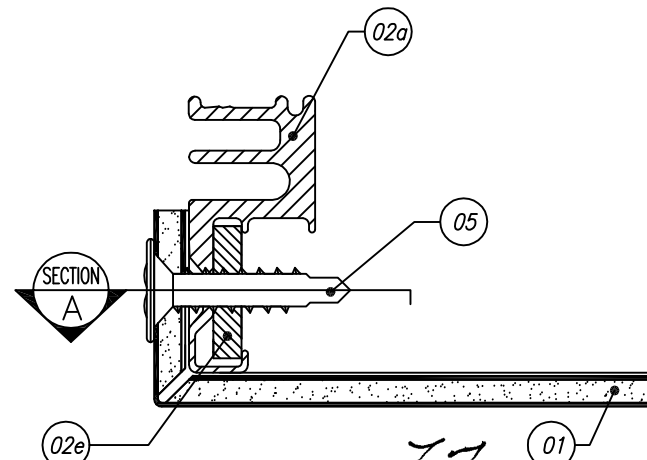
3D VIEW



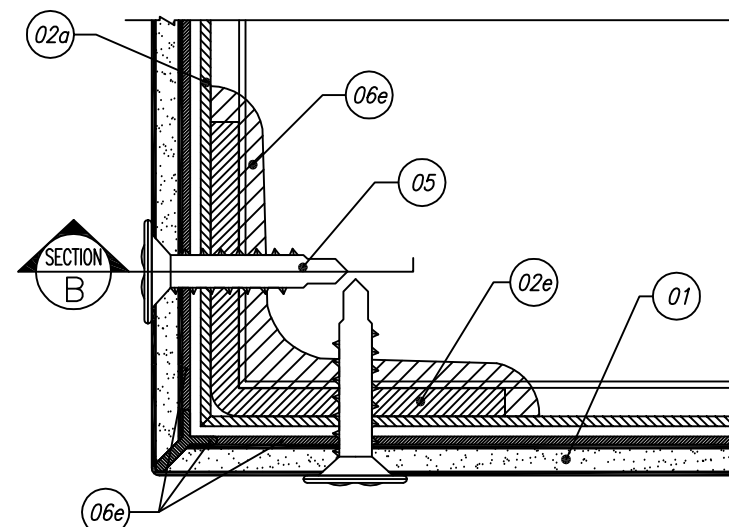
SECTION A



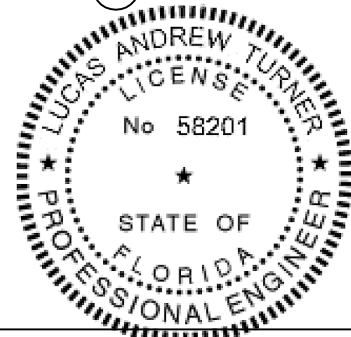
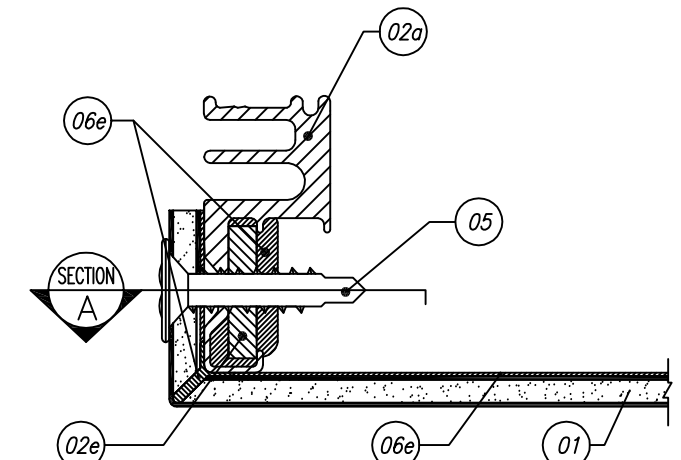
SECTION B



SECTION A



SECTION B



8/16/2017
 Lucas A. Turner, P.E.
 FL PE #58201
 1239 Jabara Ave.
 North Port, FL 34288
 Ph. 941-380-1574
 Turner Engineering
 & Consulting, Inc.
 FBPE CoA #29779



Arconic Architectural Products
 50 Industrial Boulevard
 Eastman, Georgia 31023 USA
 Tel: (478) 374 6871

CONFIDENTIAL AND PROPRIETARY
 PROPERTY OF ARCONIC ARCHITECTURAL
 PRODUCTS
 Which May Be Used Only For Its Benefit
 And Which May Not Be Reproduced Or
 Disclosed To Others. This Document And
 All Copies Must Be Returned On Demand.

SUBMITTAL DWG.
 DWG. NO. REYNO-LM-FPA
 HVHZ AND NON-HVHZ

REYNOBOND® w/ PE/FR/NC – LARGE MISSILE IMPACT
 BACKER SUPPORTS: CMU, 7.2" RIB PANEL 20ga, PLYWOOD 5/8"
 3D VIEW, SECTIONS, CORNER FRAME, DRY & WET SEAL

DATE: 12-16-15

REVISION:

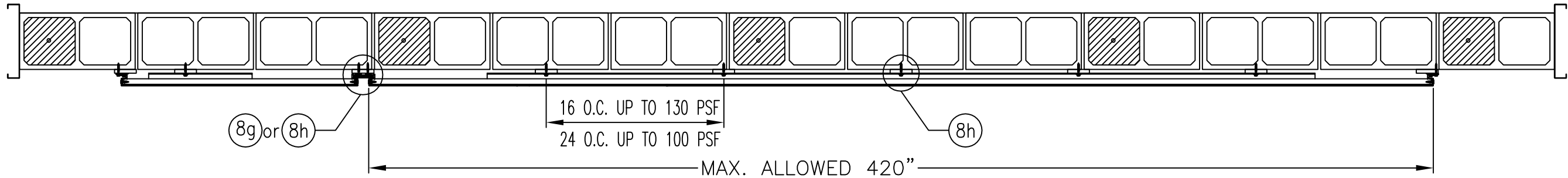
SHEET:

18 OF 21

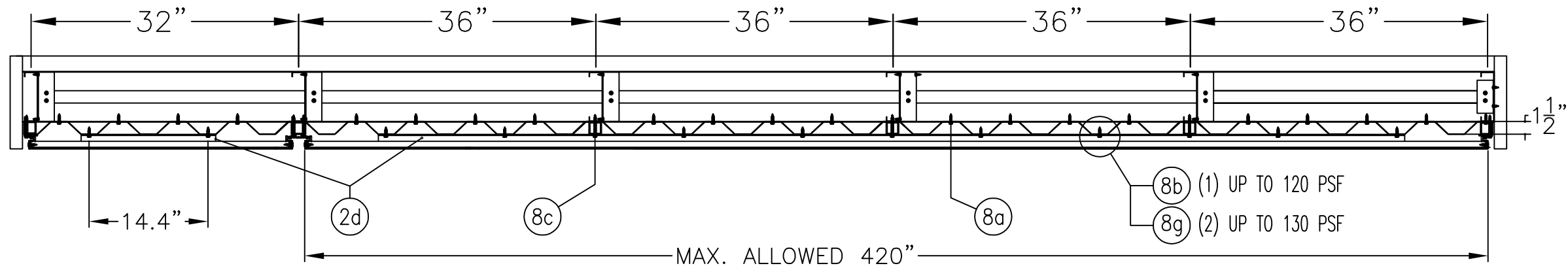
REYNOBOND® w/ PE/FR/NC w/BACKER SUPPORTS:
 CMU, 7.2" RIB PANEL 20ga, PLYWOOD 5/8".

HORIZONTAL SECTION

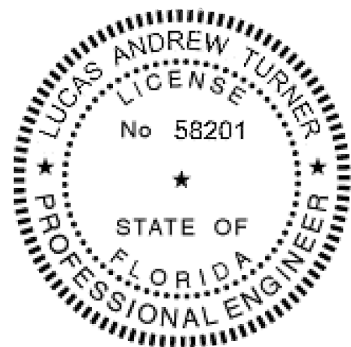
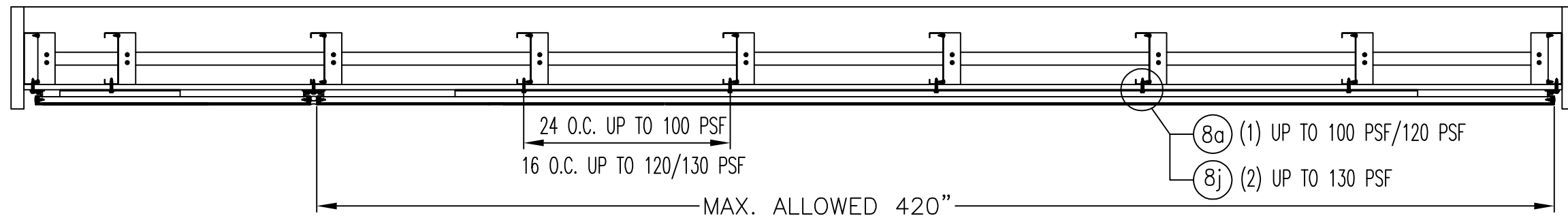
(A) REYNOBOND® PE/FR/NC w/BACKER SUPPORT OVER CMU or CONCRETE



(B) REYNOBOND® PE/FR/NC w/BACKER SUPPORT OVER 7.2" RIB PANEL 20ga



(C) REYNOBOND® PE/FR/NC w/BACKER SUPPORT OVER METAL STUD/ 5/8" PLYWOOD, OR REYNOBOND® NC OVER 5/8" GYPSUM



LT
 8/16/2017
 Lucas A. Turner, P.E.
 FL PE #58201
 1239 Jabara Ave.
 North Port, FL 34288
 Ph. 941-380-1574
 Turner Engineering
 & Consulting, Inc.
 FBPE COA #29779



Arconic Architectural Products
 50 Industrial Boulevard
 Eastman, Georgia 31023 USA
 Tel: (478) 374 6871

CONFIDENTIAL AND PROPRIETARY
 PROPERTY OF ARCONIC ARCHITECTURAL
 PRODUCTS
 Which May Be Used Only For Its Benefit
 And Which May Not Be Reproduced Or
 Disclosed To Others. This Document And
 All Copies Must Be Returned On Demand.

SUBMITTAL DWG.
DWG. NO. REYNO-LM-FPA
HVHZ AND NON-HVHZ

*REYNOBOND® w/ PE/FR/NC - LARGE MISSILE IMPACT
 BACKER SUPPORTS: CMU, 7.2" RIB PANEL 20ga, PLYWOOD 5/8"
 ALL BUILDING CONDITIONS, DRY AND WET SEAL*

DATE: 12-16-15

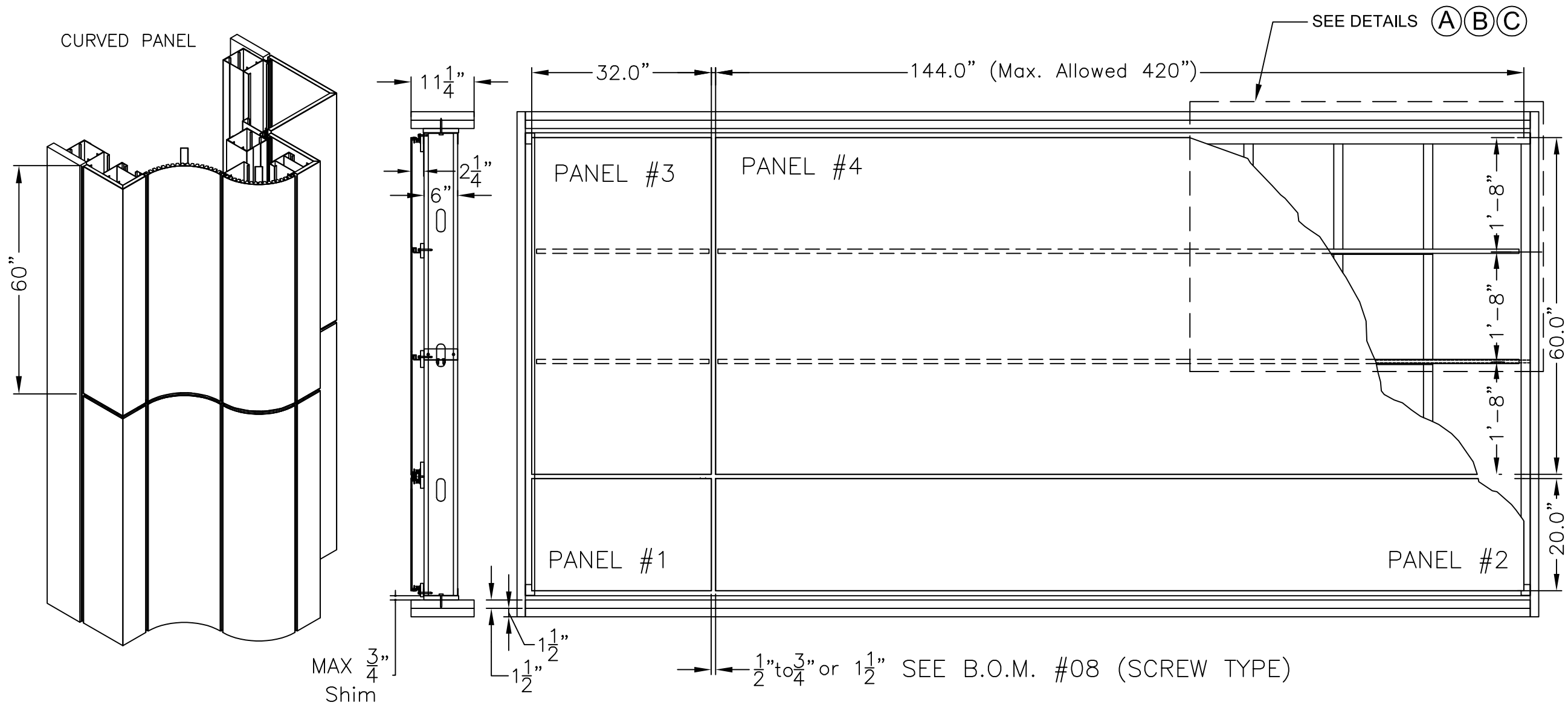
REVISION:

SHEET:

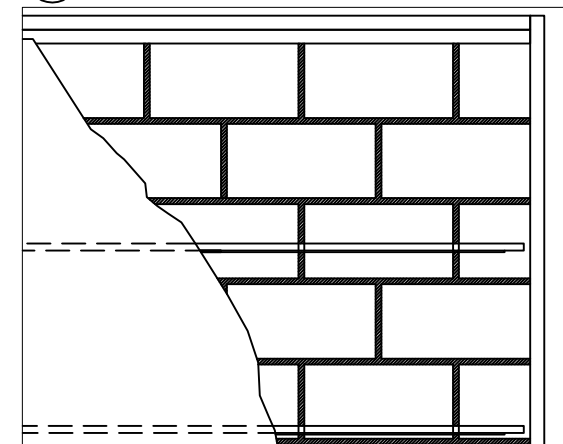
19 OF 21

REYNOBOND® w/ PE/FR/NC w/BACKER SUPPORTS:
 CMU, 7.2" RIB PANEL 20ga, PLYWOOD 5/8".

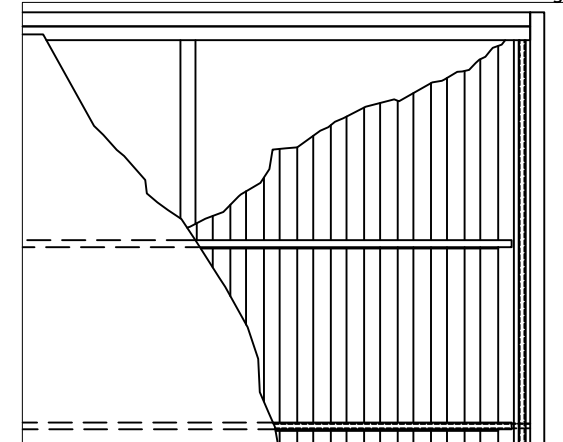
PANEL ELEVATION



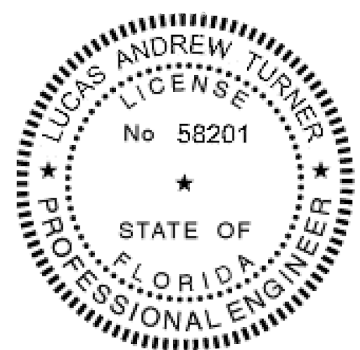
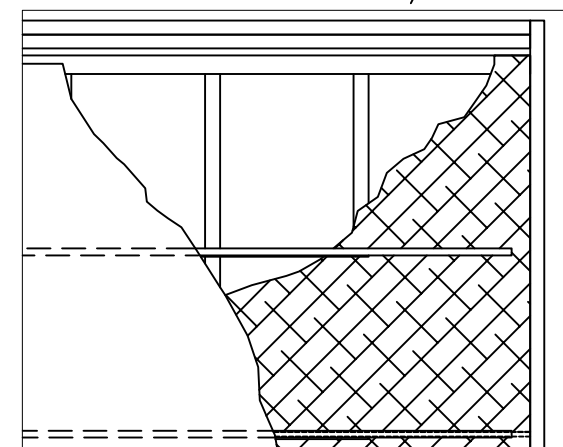
(A) REYNOBOND® PE/FR/NC w/BACKER SUPPORT OVER CMU or CONCRETE



(B) REYNOBOND® PE/FR/NC w/BACKER SUPPORT OVER 7.2" RIB PANEL 20ga



(C) REYNOBOND® PE/FR/NC w/BACKER SUPPORT OVER METAL STUD/ 5/8" PLYWOOD OR REYNOBOND® NC OVER 5/8" GYPSUM



8/16/2017
 Lucas A. Turner, P.E.
 FL PE #58201
 1239 Jabara Ave.
 North Port, FL 34288
 Ph. 941-380-1574
 Turner Engineering
 & Consulting, Inc.
 FBPE COA #29779

Arconic Architectural Products
 50 Industrial Boulevard
 Eastman, Georgia 31023 USA
 Tel: (478) 374 6871

CONFIDENTIAL AND PROPRIETARY
 PROPERTY OF ARCONIC ARCHITECTURAL
 PRODUCTS
 Which May Be Used Only For Its Benefit
 And Which May Not Be Reproduced Or
 Disclosed To Others. This Document And
 All Copies Must Be Returned On Demand.

SUBMITTAL DWG.
 DWG. NO. REYNO-LM-FPA
 HVHZ AND NON-HVHZ

REYNOBOND® w/ PE/FR/NC - LARGE MISSILE IMPACT
 BACKER SUPPORTS: CMU, 7.2" RIB PANEL 20ga, PLYWOOD 5/8"
 ALL BUILDING CONDITIONS, DRY AND WET SEAL

DATE: 12-16-15

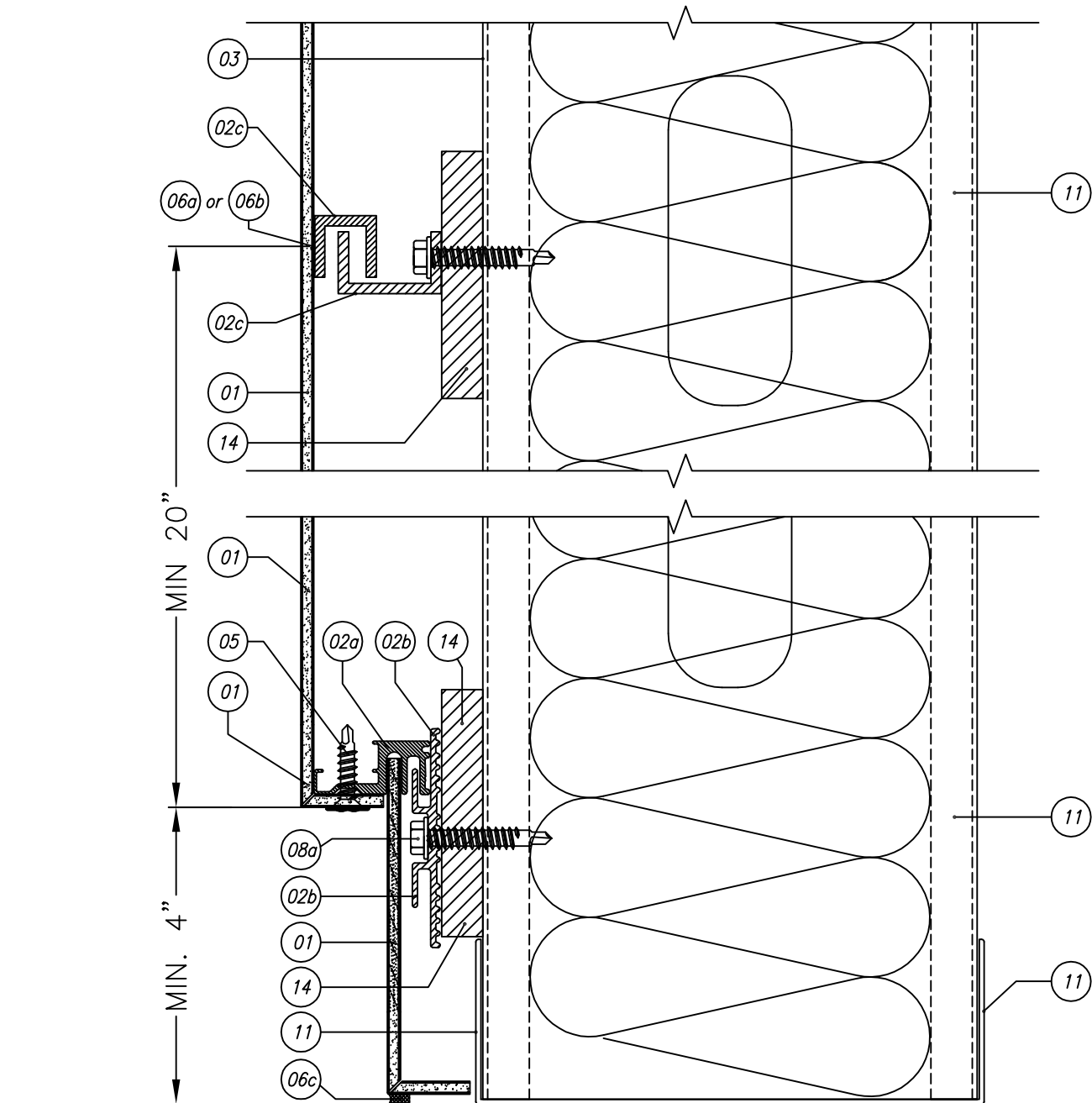
REVISION:

SHEET:

REYNOBOND® PE/FR/NC w/BACKER SUPPORTS: CMU, 7.2" RIB PANEL 20ga, PLYWOOD 5/8".

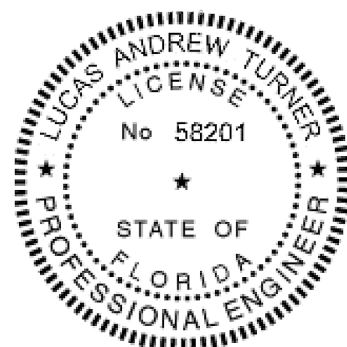
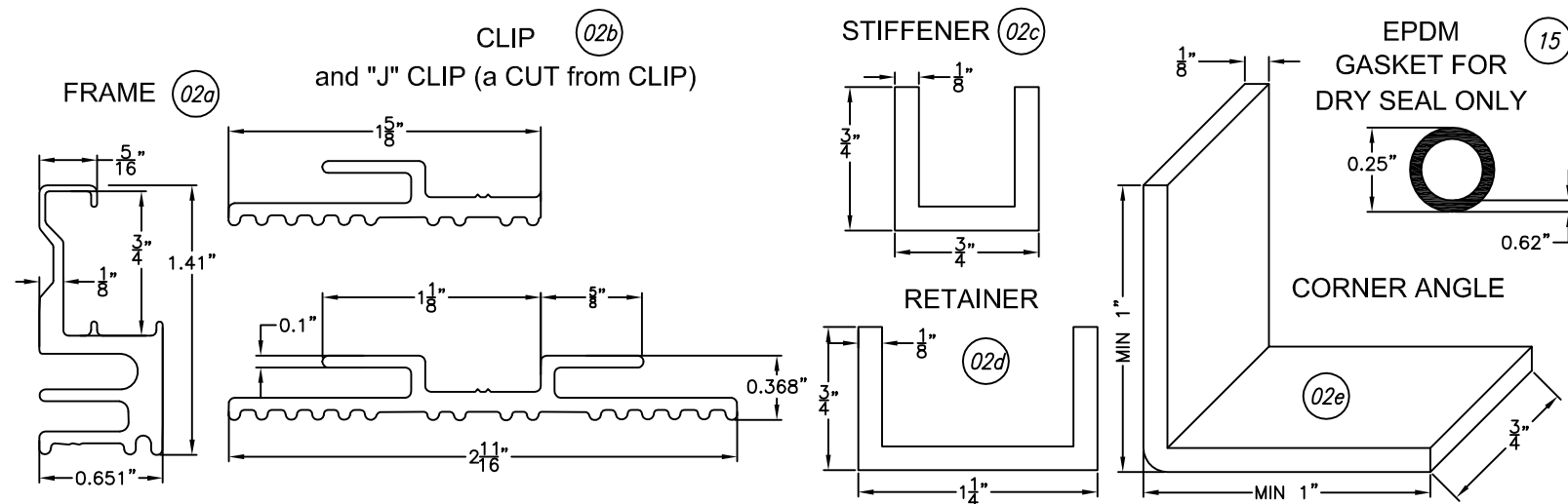
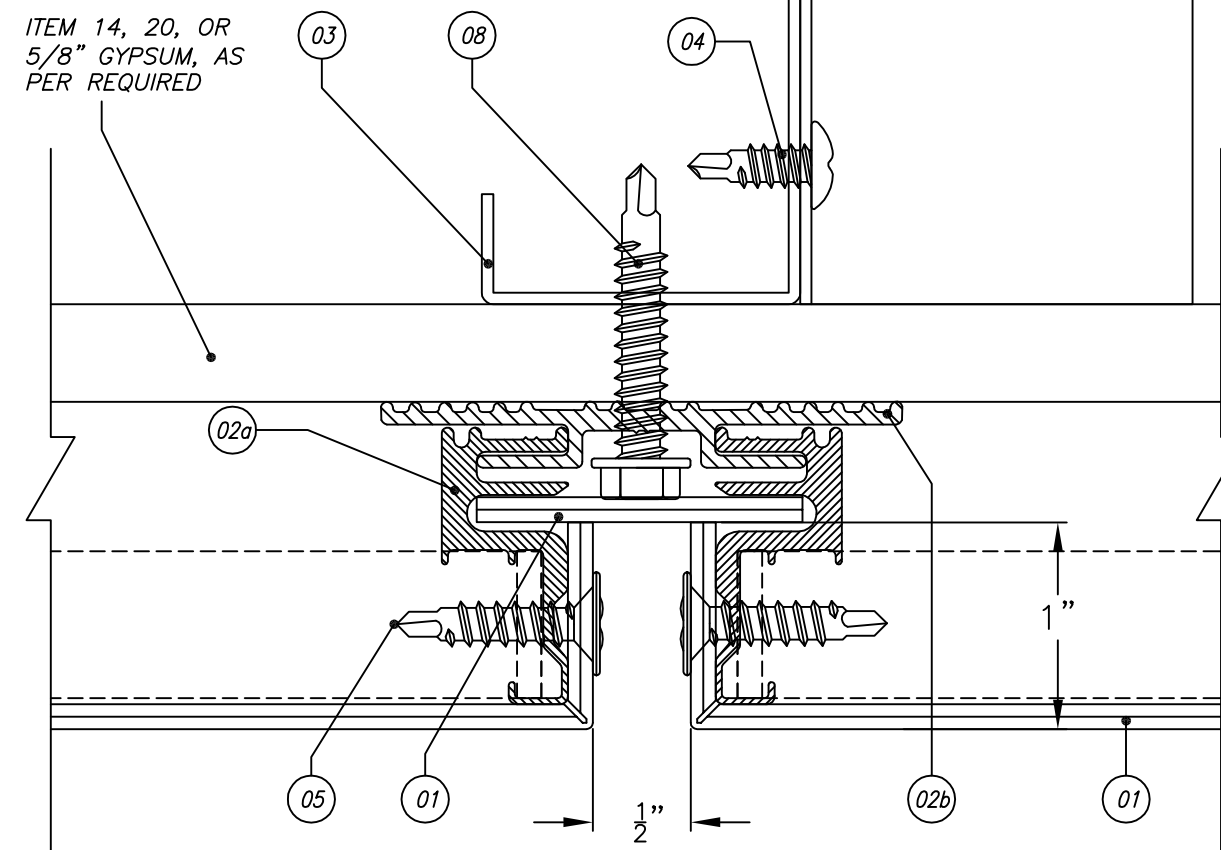
PANEL TERMINATION

13 SECTION DETAIL
TOP / BOTTOM




REYNOBOND® PE/FR/NC (NC SHOWN) OPTIONAL RAIN SCREEN JOINT, APPLIES TO ANY BUILDING CONDITION AND MAY BE USED FOR VERTICAL OR HORIZONTAL JOINTS, SEE NOTE 6.f, SHEET 1

14 SECTION DETAIL



ZZ
8/16/2017
Lucas A. Turner, P.E.
FL PE #58201
1239 Jabara Ave.
North Port, FL 34288
Ph. 941-380-1574
Turner Engineering
& Consulting, Inc.
FBPE COA #29779

| | | | |
|---|--|--|----------------------------|
|  <p>Arconic Architectural Products 50 Industrial Boulevard Eastman, Georgia 31023 USA Tel: (478) 374 6871</p> | <p>CONFIDENTIAL AND PROPRIETARY PROPERTY OF ARCONIC ARCHITECTURAL PRODUCTS Which May Be Used Only For Its Benefit And Which May Not Be Reproduced Or Disclosed To Others. This Document And All Copies Must Be Returned On Demand.</p> | <p>SUBMITTAL DWG. DWG. NO. REYNO-LM-FPA HVHZ AND NON-HVHZ</p> | <p>DATE: 12-16-15</p> |
| | | <p>REYNOBOND® w/ PE/FR/NC - LARGE MISSILE IMPACT BACKER SUPPORTS: CMU, 7.2" RIB PANEL 20ga, PLYWOOD 5/8" TERMINATIONS, RAIN SCREEN, PART DWGS. DRY/WET</p> | <p>REVISION:</p> |
| | | | <p>SHEET: 21 OF 21</p> |