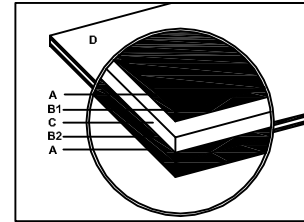


GENERAL NOTES:

These Reynobond® composite panels shall be used for wall, soffit, canopy or fascia construction, or as cladding system. This system has been tested and designed in compliance with the Florida Building Code. Each actual wall project shall be constructed using the details shown on these drawings as minimum required specifications. Panels can run horizontal or vertical (steel metal frame application must be 90 degree to the stiffener/retainer).

- A - METAL SKIN
- B1 - B2 - TIE LAYER BETWEEN SKIN AND CORE
- C - CORE POLYMERIC COMPOUND (FR - Fire Retardant)
- D - FINISH - Reverse Roll Coated Paint



REQUIRED TESTS

DESCRIPTION	TEST
a) Tensile Test	ASTM E-8
b) Self Ignition	ASTM D-1929
c) Flame Spread 1	ASTM E-84
d) Smoke Developed 1	ASTM E-84
e) Thermal Barrier	ASTM E119
f) Interior Finish Application	
Fire Test	UL 1715
g) Multi-story Fire Test	NFPA 285
h) Fire Test of Building Construction & Materials	UL 263 R8343

BILL OF MATERIALS

1. PANEL MATERIAL:

- Reynobond® metal composite material 4 mm and 6mm thick as manufactured by ARCONIC Architectural Products.
- a) FR ALUMINUM PANEL SKIN THICKNESS 0.020" ALUMINUM ALLOY
- b) FR ZINC PANEL SKIN THICKNESS 0.028" ZINC ALLOY Rheinzink(R) Titanium Zinc
- NOTES: 1) ONLY UP TO 100 PSF, 2) Zinc is NOT a Fire Retardant product per IBC 1407
- c) FR STAINLESS STEEL PANEL SKIN THICKNESS 0.018" SS ALLOY 304 or 316L
- d) FR TITANIUM SKIN THICKNESS 0.018", back skin SS ALLOY 304 or 316L

2. ALUMINUM EXTRUSIONS:

- Aluminum alloy 6063 - T6 Temper, mill finish as manufactured by ARCONIC or others.
- a) FRAME (CONTINUOUS)
- b) CLIP (CONTINUOUS)
- c) STIFFENER (CONTINUOUS, max. 2 unit per panel all length @max 20" O.C.spacing)
- d) RETAINER (CONTINUOUS)
- e) CORNER ANGLE

3. METAL STUDS:

16ga galvanized or painted steel (per applicable codes to prevent corrosion); With minimum properties of 50 Ksi yield, 65 Ksi ultimate. (Calculations must be provided by professional Engineer.)

4. STUD TO TRACK FASTENERS And ANGLE TO BRIDGING FASTENERS And ANGLE TO STUD FASTENERS

#8-18 x 3/4" Phillips Head Galvanized Steel Pan Tek Screw or similar.

5. PANEL TO FRAME FASTENERS.

#10 x 1" wafer head, self drilling, self tapping, galvanized steel screw at 16" O.C. All Panel Perimeter Returns.

6. HORIZONTAL AND VERTICAL JOINT SILICONE (as needed).

- a) Dow Corning #995 - 170 PSI - One part.
- b) Dow Corning #983 - 170 PSI - Two parts.
- c) Dow Corning #795 - 100 PSI - One part. Horizontal, Vertical and perimeter joint - Weather seal.
- d) Dow Corning #795 - 100 PSI - One part. Cap Bead - Weather seal.
- e) Dow Corning #795 - 100 PSI - One part. Panel to frame, frame and corner weather seal. (Only for dry seal system wet seal do not apply)
- f) Where water intrusion is not required the system can be used as rain screen
- No weather silicone will be required - B.O.M. # 06c, # 06d, # 06e, # 07a, # 15
- Use stainless steel screw recommended B.O.M. # 05, # 08

7. BACKER ROD. (as needed)

- a) 5/8" diameter, open cell. b) 1 1/2" diameter, open cell. c) 2" diameter, open cell.

8. CLIP AND RETAINER TO STEEL SUBSTRATE FASTENER (as needed)

- a) # 14 - HEX WASHER HEAD - 1 1/2" - DRILL POINT galvanized TEK Steel or equivalent
- NOTE: Where two screws are required per location, maintain min. 3/4" on center spacing.

SCREW CHART AND SCHEDULE

Reynobond Product	Substrate Backer	Stud Spacing	Max Screw Spacing	Design Pressure PSF	Impact Rating	Building Applicability
Reynobond FR Aluminum Titanium Stainless Steel Zinc*	Metal Stud 24" O.C. NO Backer Required	24" OC	(1) 24" OC	100	Small	Above 30 Feet Only
			(1) 16" OC	120		
Metal Stud 16" O.C. NO Backer Required	16" OC	(2) 16" OC	130			

* Reynobond Zinc is approved for all applicable installation conditions however, only at a design pressure of 100 psf
Note: See B.O.M. # 1 b

9. TRACK TO WOOD FRAME FASTENER. 5/16" x 2.5" galvanized steel LAG screw with washer at 12" O.C. MAX.

10. SOUTHERN YELLOW PINE MINIMUM.

11. METAL TRACK 16ga galvanized steel or painted (per applicable codes to prevent corrosion) with minimum properties of 50 Ksi yield, 65 Ksi ultimate.

12. BRIDGING CHANNEL. 16ga galvanized or painted (per applicable codes to prevent corrosion) steel with minimum properties of 50 Ksi yield, 65 Ksi ultimate. Standard 1/2" flange, 1 1/2" web. WALLS UP TO 10' HEIGHT 1 ROW @ MID-HEIGHT. WALLS EXCEEDING 10' HEIGHT BRIDGING ROW SPACED NOT TO EXCEED 5' 0" O.C.

13. UTILITY ANGLE. 16ga galvanized or painted (per applicable codes to prevent corrosion) steel with minimum properties of 50 Ksi yield, 65 Ksi ultimate, 2" leg dimensions. (Bridge Clip or equal).

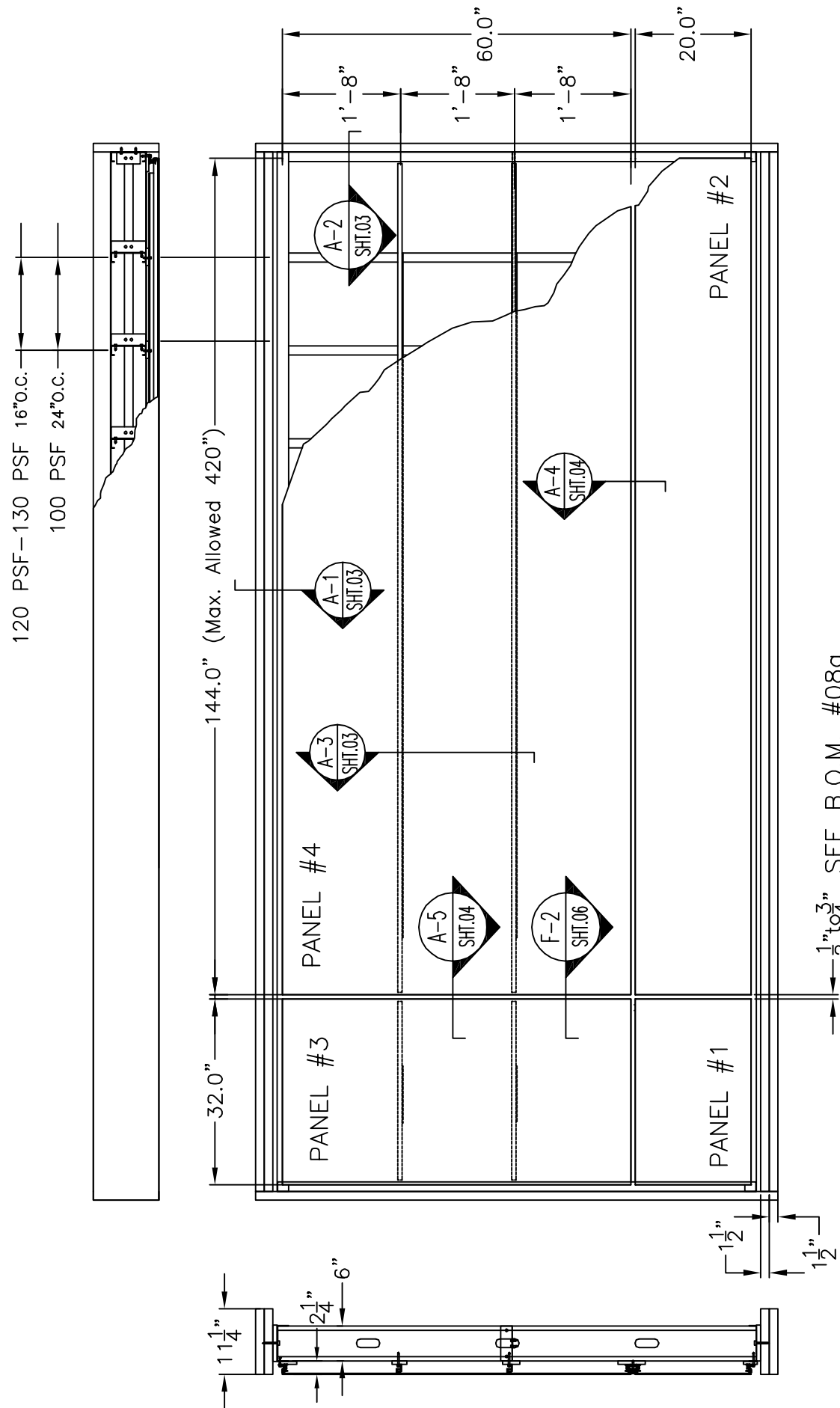
14. SHIMS Standard glazing shims as needed.

15. Uni-Grip 1/4" neoprene hollow gasket.

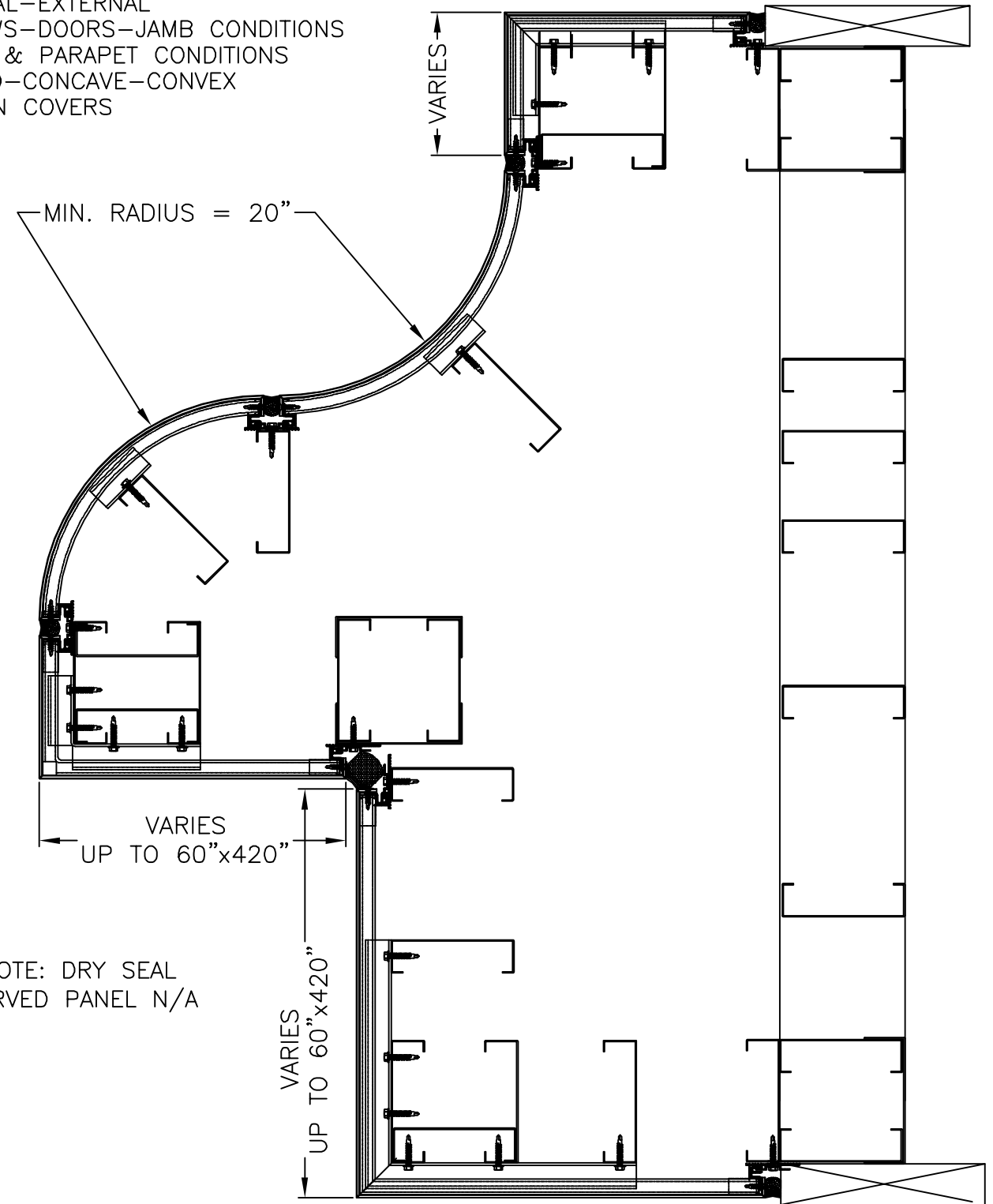


<p>Arconic Architectural Products 50 Industrial Boulevard Eastman, Georgia 31023 USA Tel: (478) 374 6871</p>	<p>SUBMITTAL DWG. # Reyno-SM-FPA</p>	<p>8/12/2019 Lucas A. Turner, P.E. FL PE #58201 Turner Engineering & Consulting, Inc. 2428 Old Natchez Trc Trl, Camden, TN Ph. 941-380-1574 FBPE COA #29779</p>	DATE: 08/12/19
		<p>CONFIDENTIAL AND PROPRIETARY PROPERTY OF ARCONIC ARCHITECTURAL PRODUCTS Which May Be Used Only For Its Benefit And Which May Not Be Reproduced Or Disclosed To Others. This Document And All Copies Must Be Returned On Demand.</p>	<p>REYNOBOND® BILL OF MATERIALS DESIGN PRESSURES</p>
			SHEET: 01 OF 07

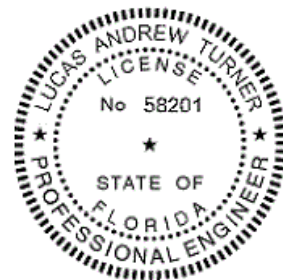
REYNOBOND®
 PANEL ELEVATION — OVER STEEL METAL FRAME




REYNOBOND®
 CORNER CONDITIONS
 INTERNAL-EXTERNAL
 WINDOWS-DOORS-JAMB CONDITIONS
 SOFFIT & PARAPET CONDITIONS
 CURVED-CONCAVE-CONVEX
 COLUMN COVERS



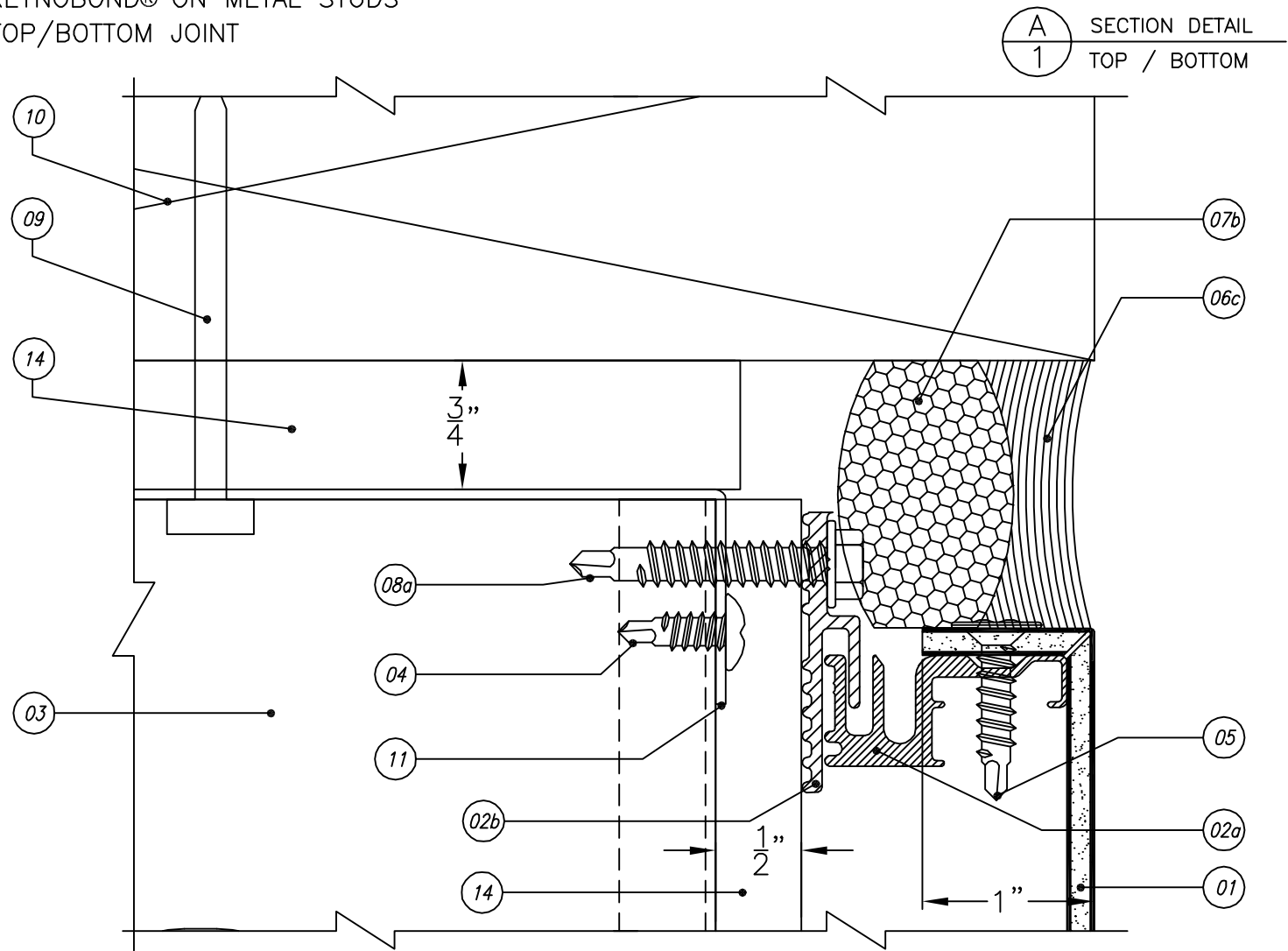
NOTE: DRY SEAL
 CURVED PANEL N/A



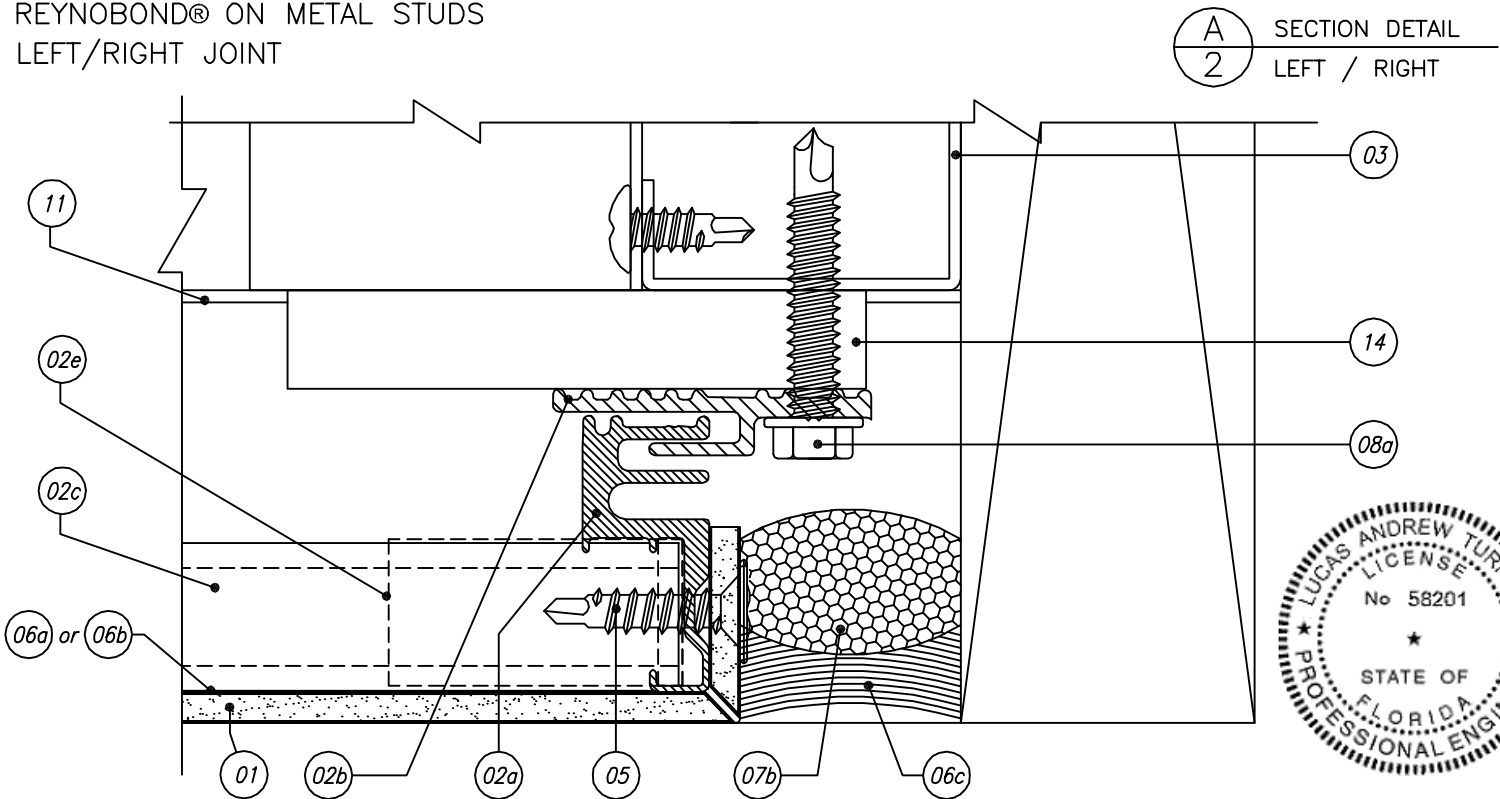
 Arconic Architectural Products 50 Industrial Boulevard Eastman, Georgia 31023 USA Tel: (478) 374 6871	SUBMITTAL DWG. # Reyno-SM-FPA	8/12/2019 Lucas A. Turner, P.E. FL PE #58201 Turner Engineering & Consulting, Inc. 2428 Old Natchez Trc Trl, Camden, TN Ph. 941-380-1574 FBPE COA #29779	DATE: 08/12/19
	REYNOBOND® PANEL ELEVATION CURVED PANEL AND CORNER CONDITION DETAIL	REVISION:	SHEET: 02 OF 07

27

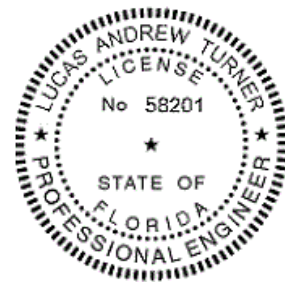
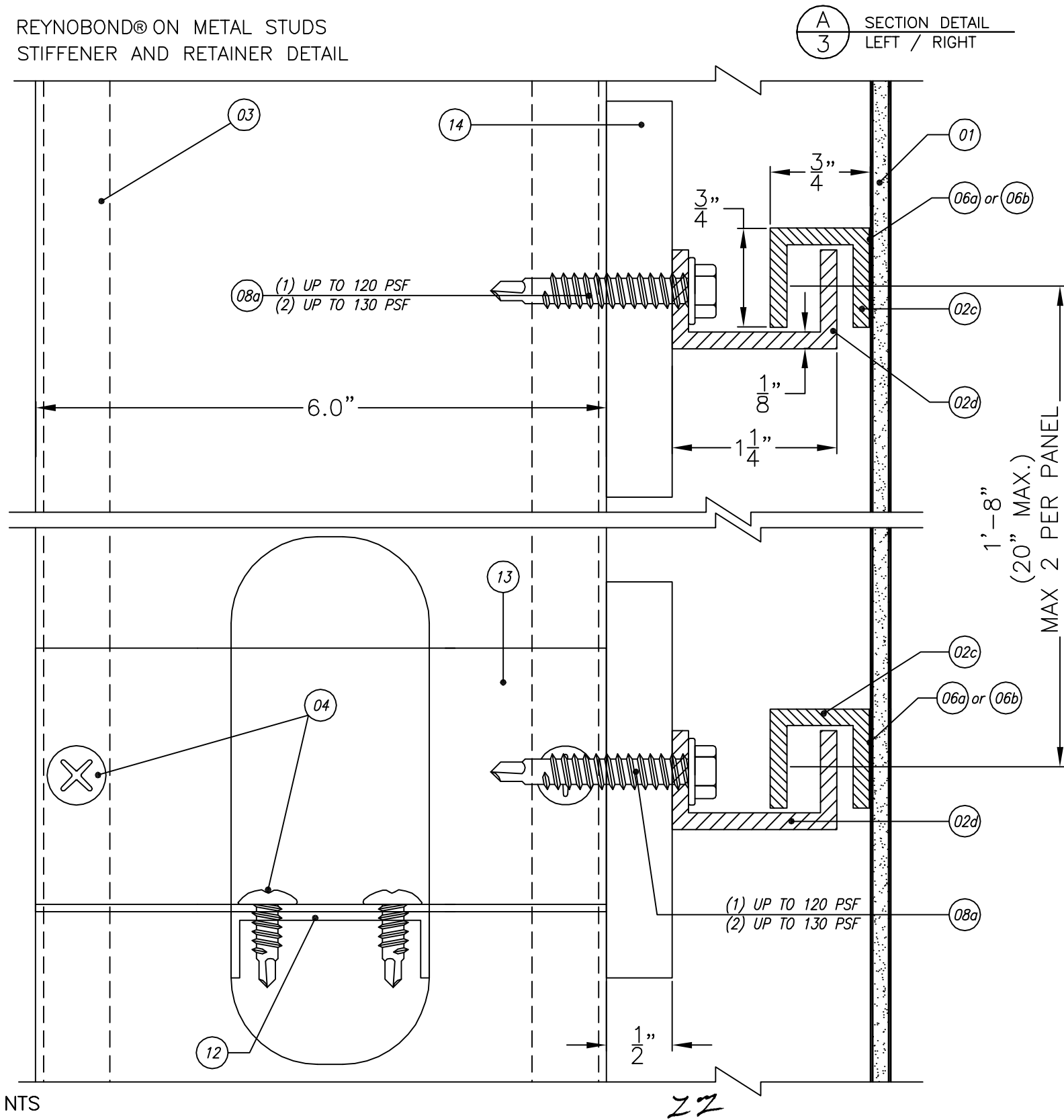
REYNOBOND® ON METAL STUDS
TOP/BOTTOM JOINT




REYNOBOND® ON METAL STUDS
LEFT/RIGHT JOINT



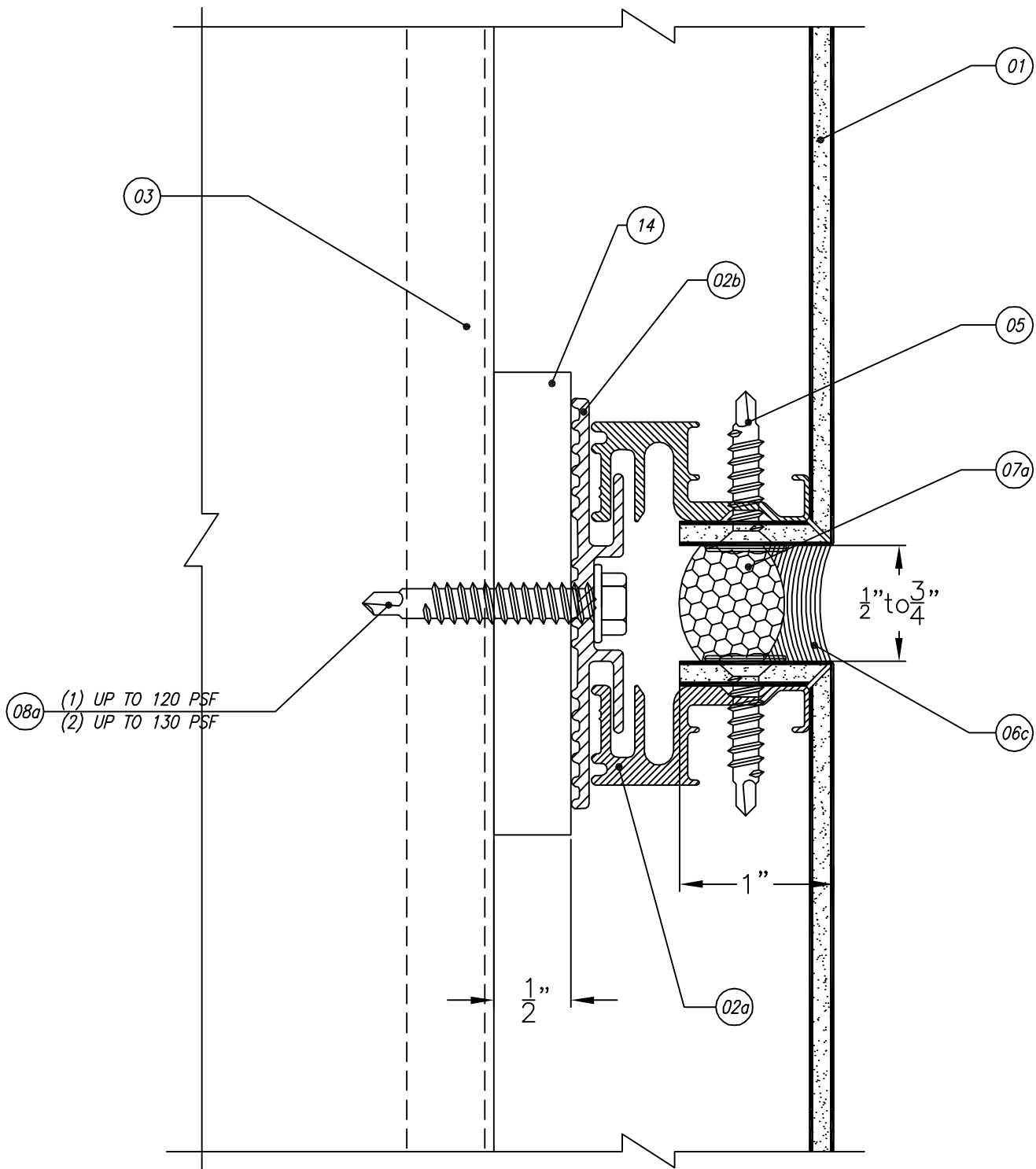
REYNOBOND® ON METAL STUDS
STIFFENER AND RETAINER DETAIL



 <p>Arconic Architectural Products 50 Industrial Boulevard Eastman, Georgia 31023 USA Tel: (478) 374 6871</p>	<p>SUBMITTAL DWG. # <i>Reyno-SM-FPA</i></p>	<p>8/12/2019 Lucas A. Turner, P.E. FL PE #58201 Turner Engineering & Consulting, Inc. 2428 Old Natchez Trc Trl, Camden, TN Ph. 941-380-1574 FBPE COA #29779</p>	<p>DATE: 08/12/19</p>
		<p>CONFIDENTIAL AND PROPRIETARY PROPERTY OF ARCONIC ARCHITECTURAL PRODUCTS Which May Be Used Only For Its Benefit And Which May Not Be Reproduced Or Disclosed To Others. This Document And All Copies Must Be Returned On Demand.</p>	<p>REYNOBOND® SECTION DETAIL STIFFENER AND RETAINER DETAIL OVER METAL STUDS</p>
			<p>SHEET: 03 OF 07</p>

REYNOBOND® ON METAL STUDS
HORIZONTAL WET JOINT (1/2" to 3/4")

A
4 SECTION DETAIL
LEFT / RIGHT

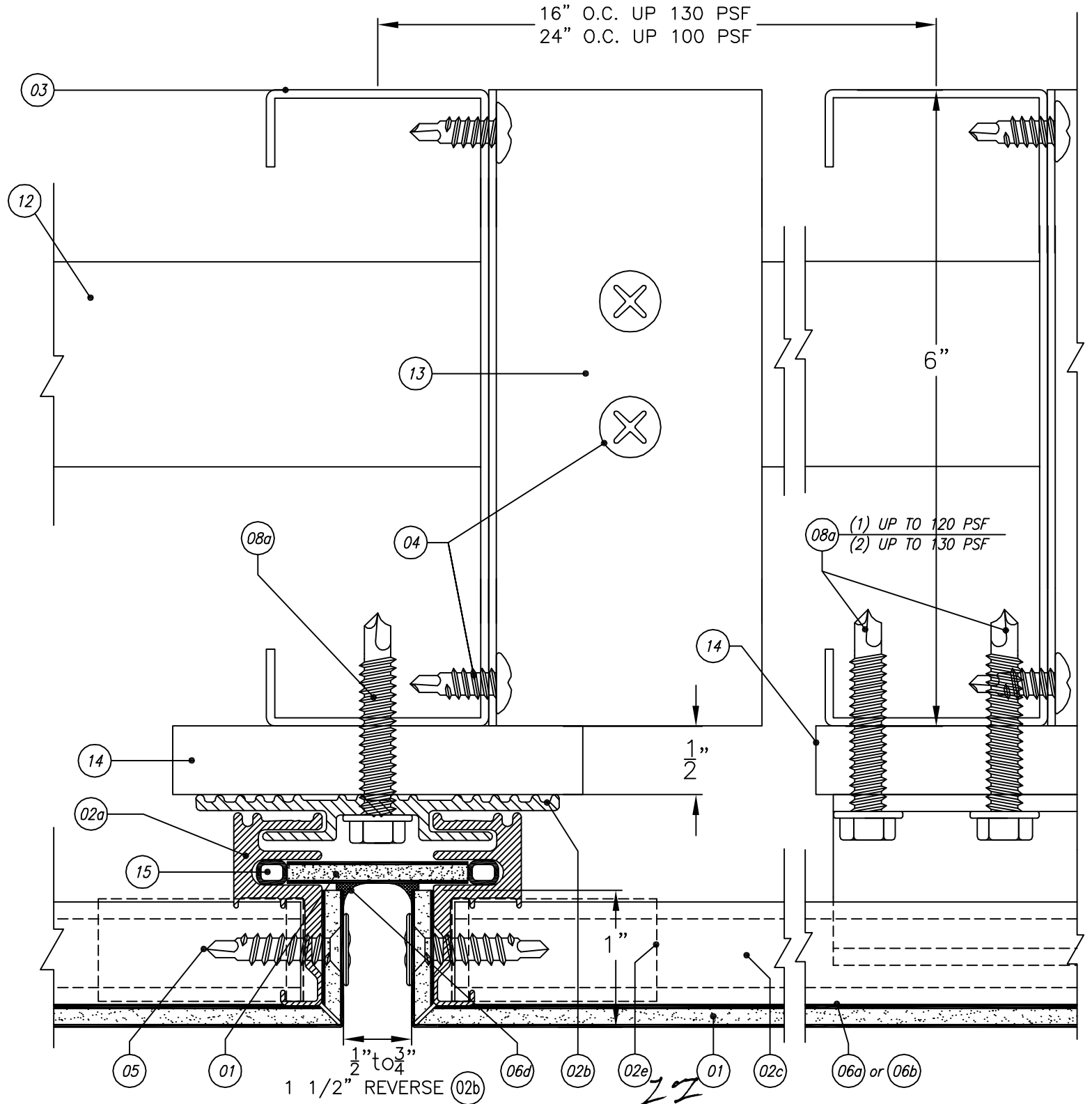


08a (1) UP TO 120 PSF
(2) UP TO 130 PSF

NTS

REYNOBOND® ON METAL STUDS
VERTICAL DRY JOINT (1/2")

A
5 SECTION DETAIL
LEFT / RIGHT




16" O.C. UP 130 PSF
24" O.C. UP 100 PSF

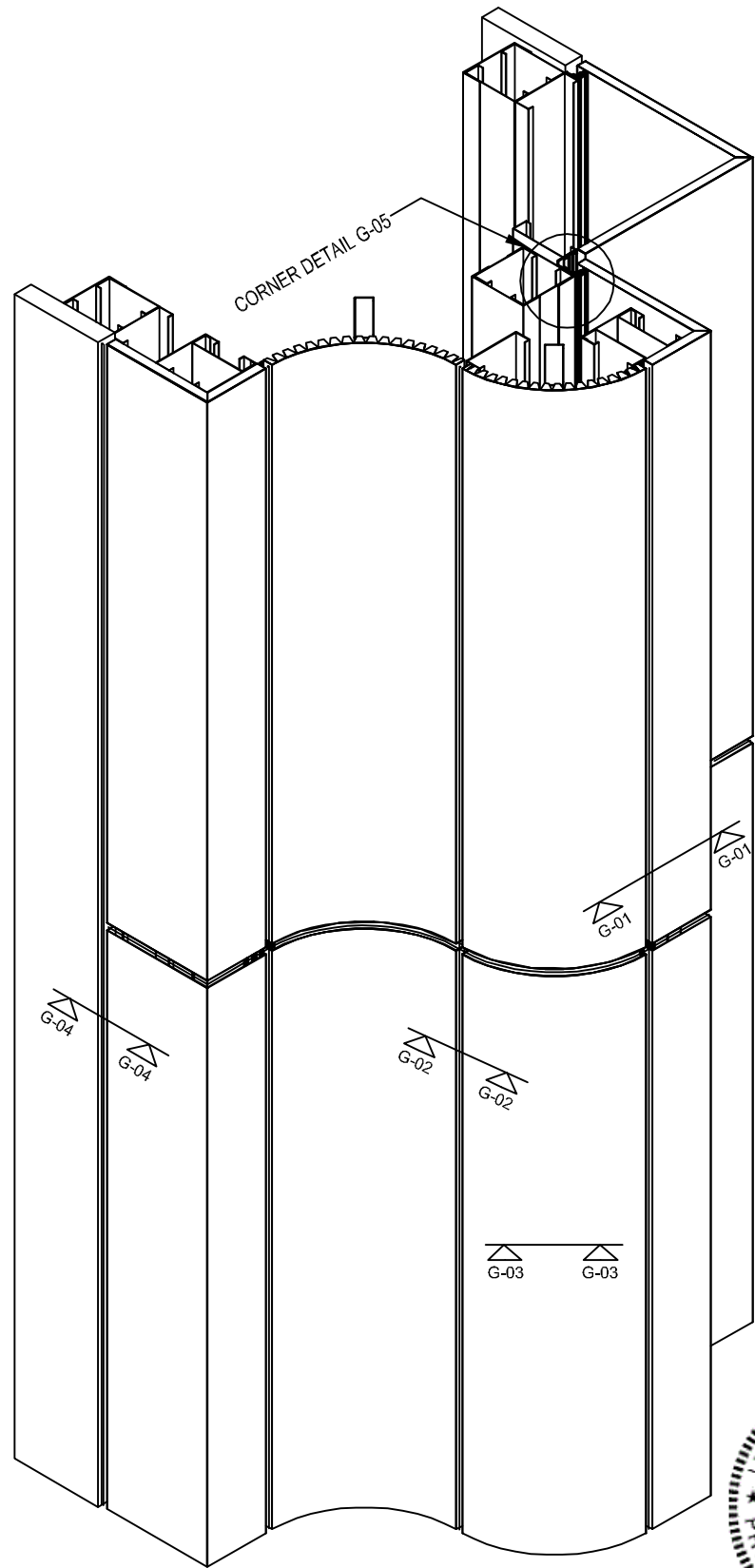
08a (1) UP TO 120 PSF
(2) UP TO 130 PSF

1 1/2" REVERSE

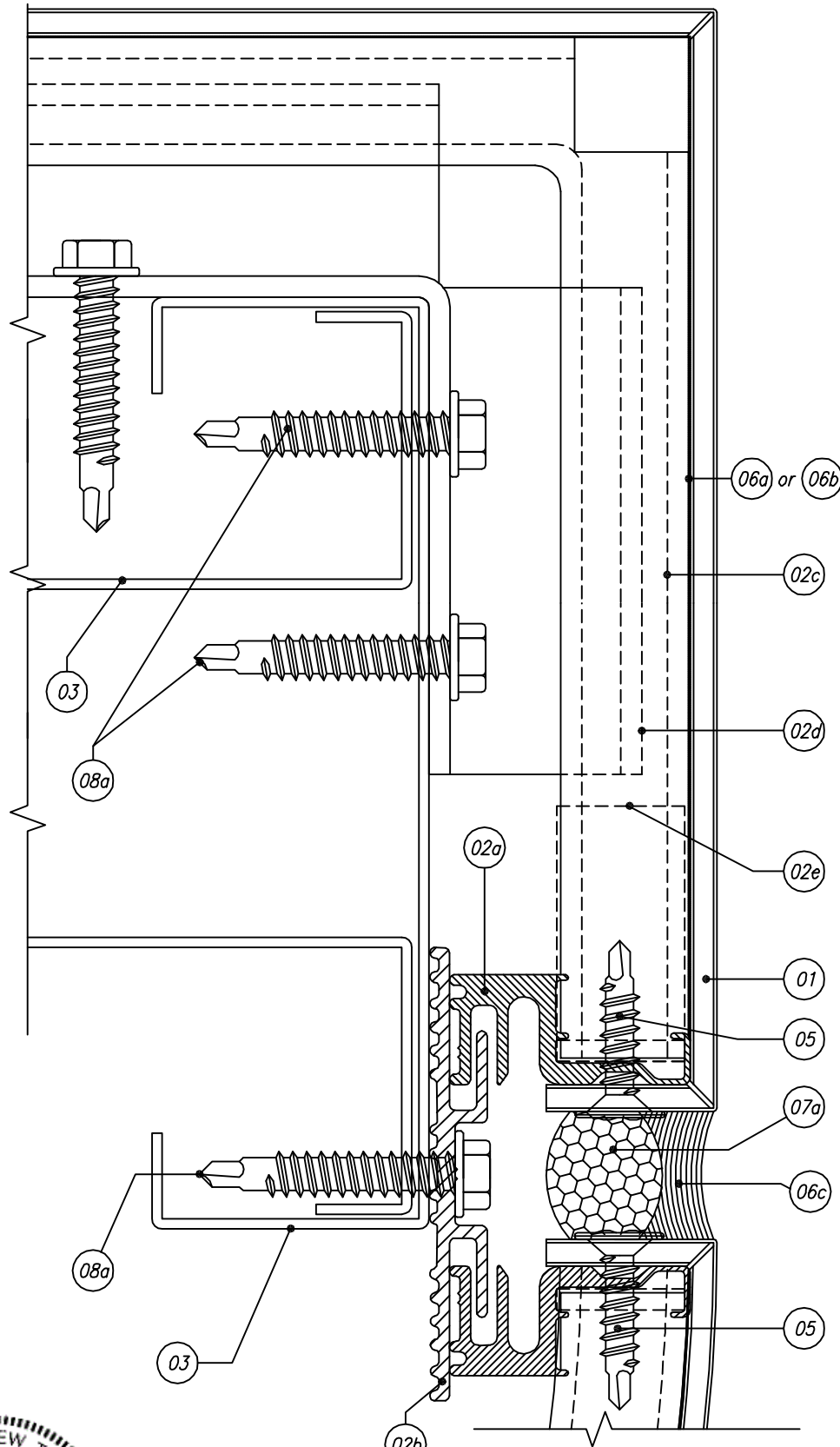


 <p>Arconic Architectural Products 50 Industrial Boulevard Eastman, Georgia 31023 USA Tel: (478) 374 6871</p>	<p>SUBMITTAL DWG. # <i>Reyno-SM-FPA</i></p>	<p>8/12/2019 Lucas A. Turner, P.E. FL PE #58201 Turner Engineering & Consulting, Inc. 2428 Old Natchez Trc Trl, Camden, TN Ph. 941-380-1574 FBPE COA #29779</p>	<p>DATE: 08/12/19</p>
	<p>CONFIDENTIAL AND PROPRIETARY PROPERTY OF ARCONIC ARCHITECTURAL PRODUCTS Which May Be Used Only For Its Benefit And Which May Not Be Reproduced Or Disclosed To Others. This Document And All Copies Must Be Returned On Demand.</p>	<p>REYNOBOND® HORIZONTAL WET JOINT ON METAL STUD VERTICAL DRY JOINT ON METAL STUD</p>	<p>REVISION:</p>

REYNOBOND®
CURVED PANEL & CORNER
APPLICATION



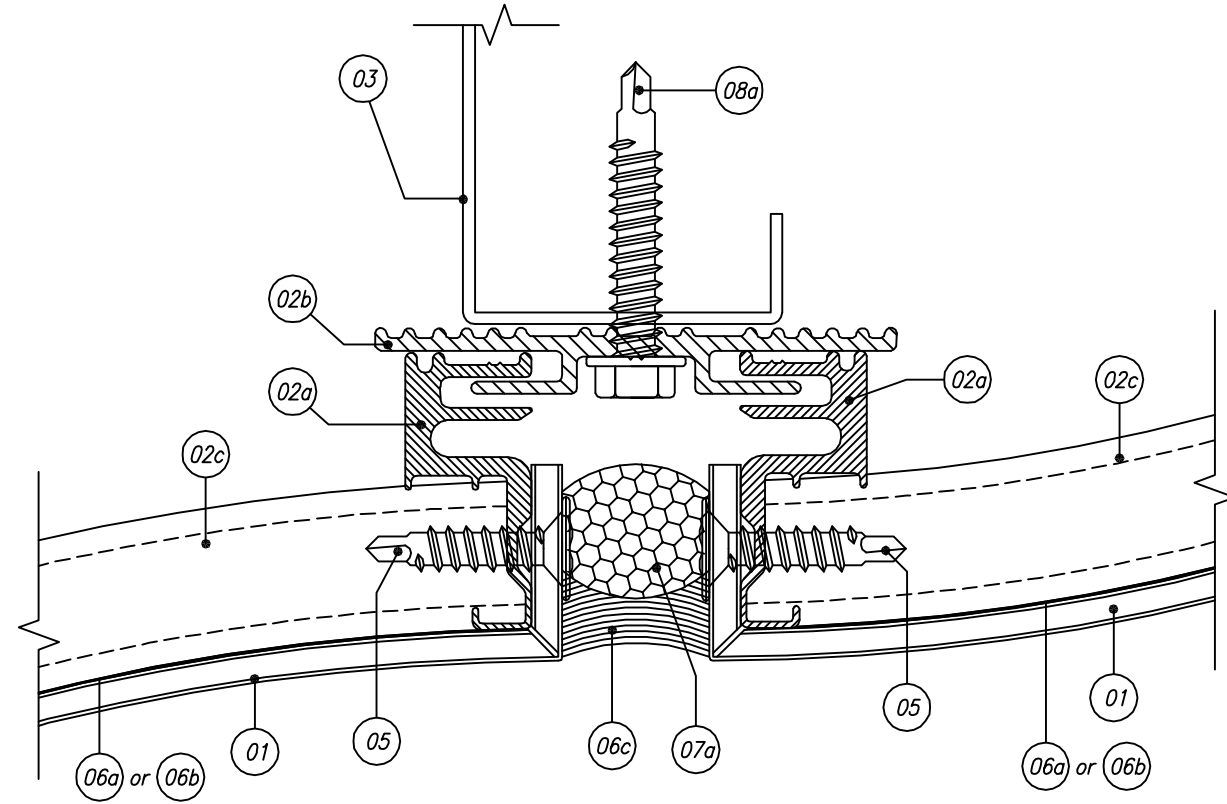
SCALE: NTS



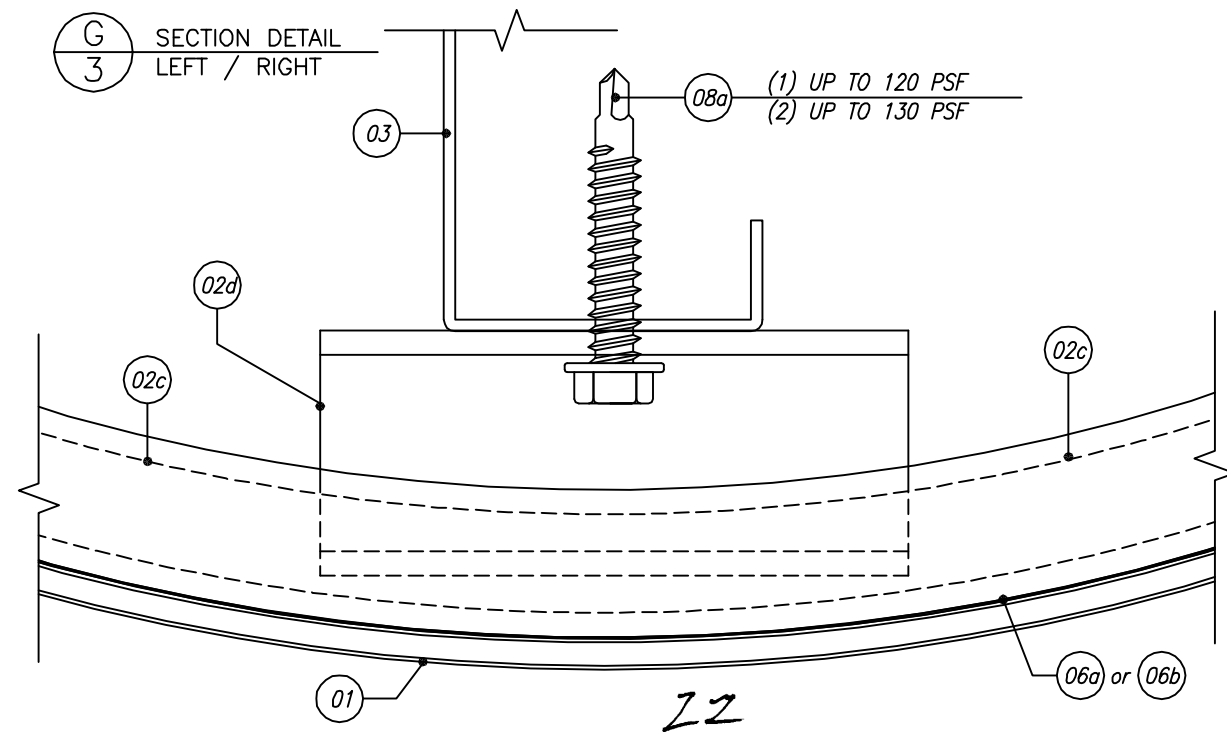
SECTION DETAIL
G 1
LEFT / RIGHT

SCALE: NTS

SECTION DETAIL
G 2
LEFT / RIGHT



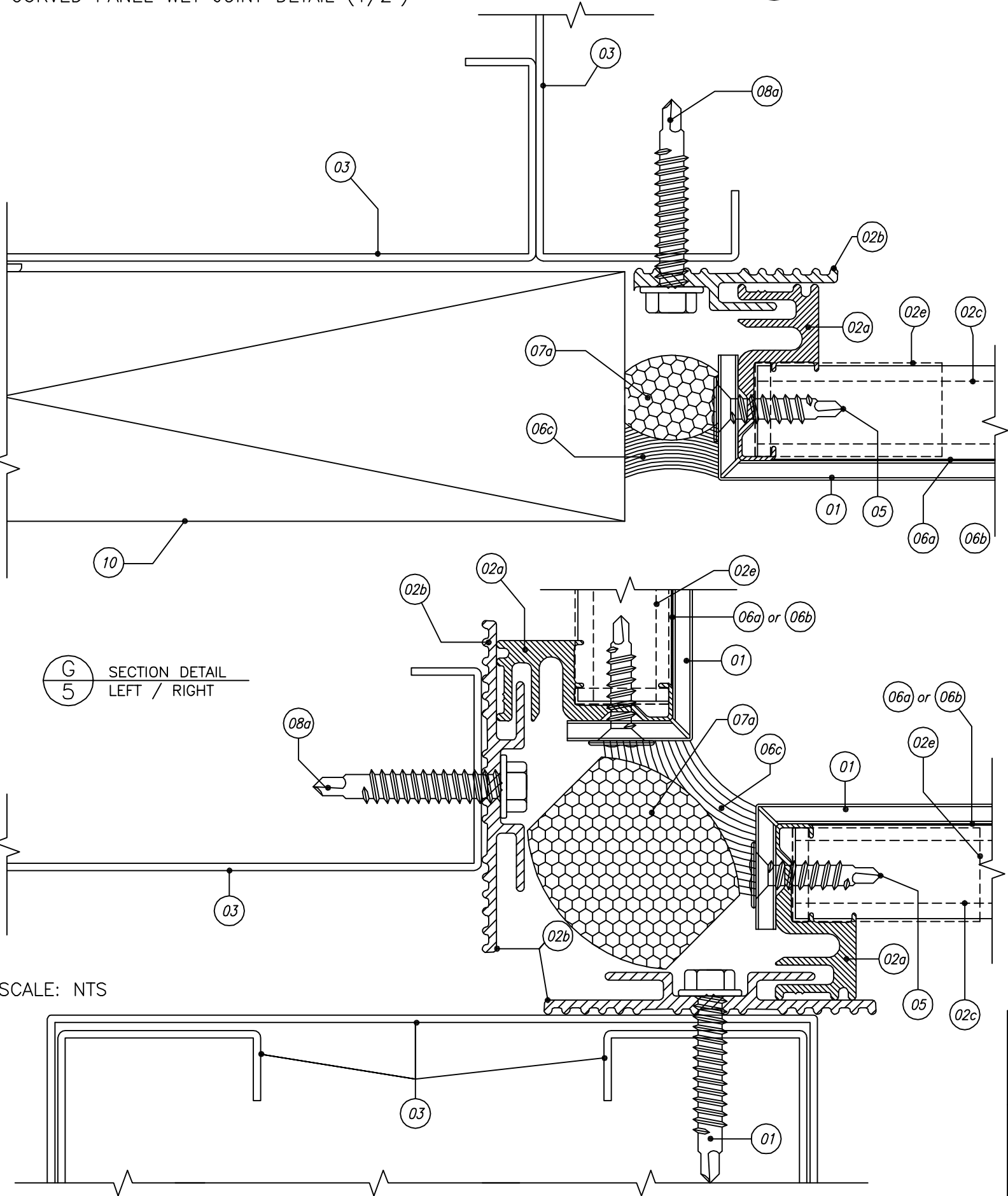
SECTION DETAIL
G 3
LEFT / RIGHT



<p>Arconic Architectural Products 50 Industrial Boulevard Eastman, Georgia 31023 USA Tel: (478) 374 6871</p>	<p>SUBMITTAL DWG. # <i>Reyno-SM-FPA</i></p>	<p>8/12/2019 Lucas A. Turner, P.E. FL PE #58201 Turner Engineering & Consulting, Inc. 2428 Old Natchez Trc Trl, Camden, TN Ph. 941-380-1574 FBPE COA #29779</p>	<p>DATE: 08/12/19</p>
		<p>REVISION:</p>	<p>SHEET: 05 OF 07</p>
<p>CONFIDENTIAL AND PROPRIETARY PROPERTY OF ARCONIC ARCHITECTURAL PRODUCTS Which May Be Used Only For Its Benefit And Which May Not Be Reproduced Or Disclosed To Others. This Document And All Copies Must Be Returned On Demand.</p>		<p>REYNOBOND® CURVED PANEL ELEVATION AND JOINT DETAILS</p>	

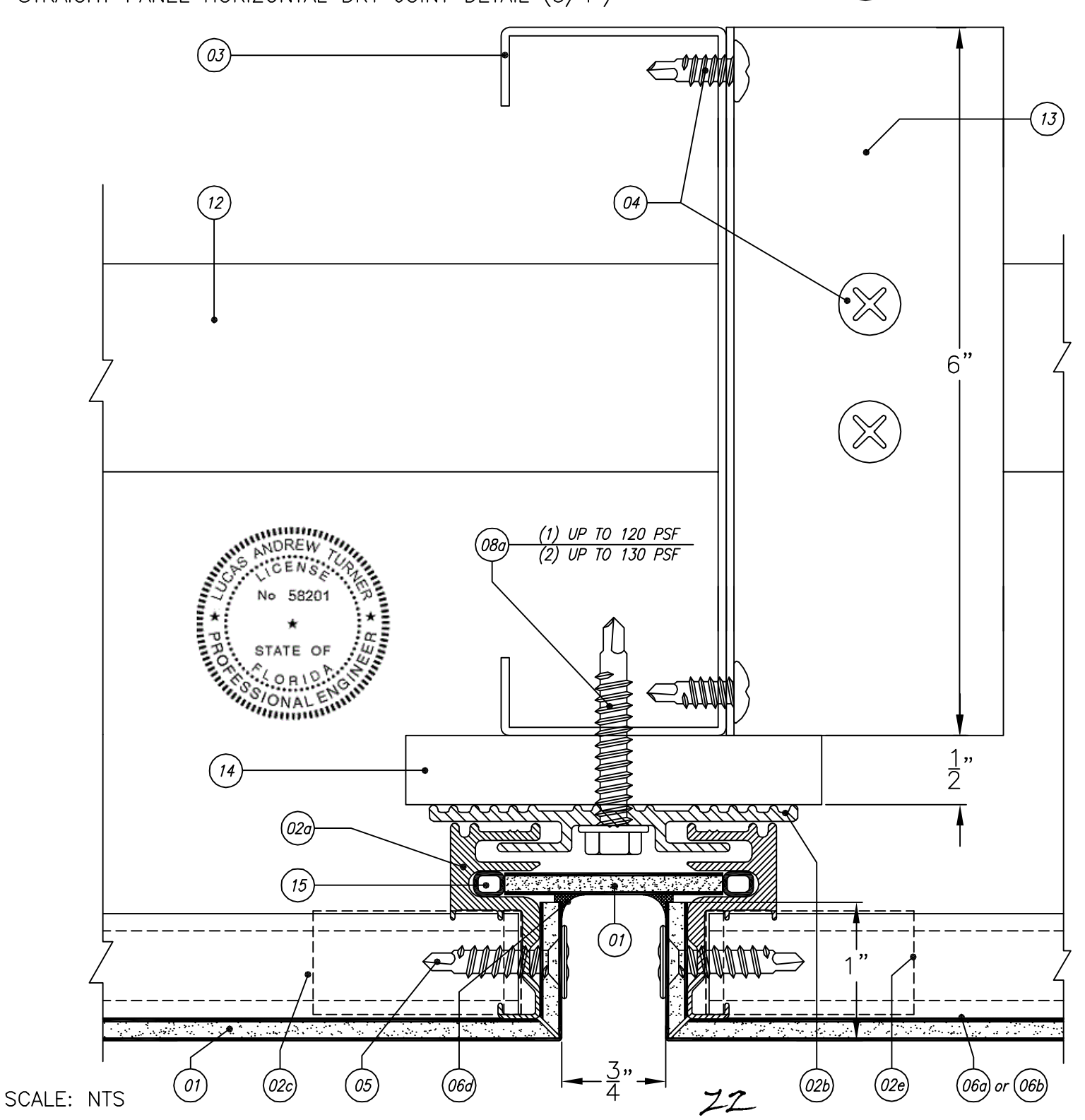
REYNOBOND®
CURVED PANEL WET JOINT DETAIL (1/2")

G
4 SECTION DETAIL
LEFT / RIGHT




REYNOBOND®
STRAIGHT PANEL HORIZONTAL DRY JOINT DETAIL (3/4")

F
2 SECTION DETAIL
LEFT / RIGHT



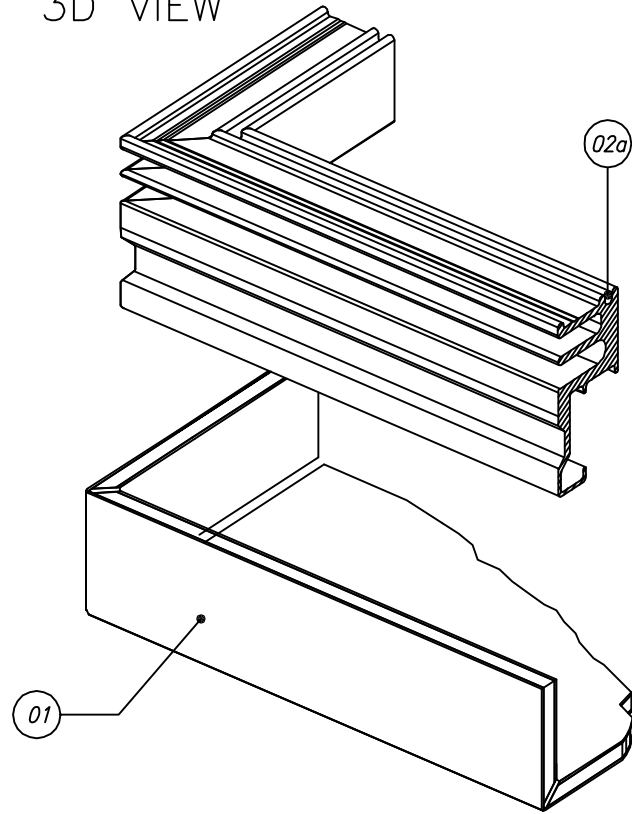
SCALE: NTS

 <p>Arconic Architectural Products 50 Industrial Boulevard Eastman, Georgia 31023 USA Tel: (478) 374 6871</p>	<p>SUBMITTAL DWG. # <i>Reyno-SM-FPA</i></p>	<p>8/12/2019 Lucas A. Turner, P.E. FL PE #58201 Turner Engineering & Consulting, Inc. 2428 Old Natchez Trc Trl, Camden, TN Ph. 941-380-1574 FBPE COA #29779</p>	<p>DATE: 08/12/19</p>
		<p>REVISION:</p>	<p>SHEET: 06 OF 07</p>
<p>CONFIDENTIAL AND PROPRIETARY PROPERTY OF ARCONIC ARCHITECTURAL PRODUCTS Which May Be Used Only For Its Benefit And Which May Not Be Reproduced Or Disclosed To Others. This Document And All Copies Must Be Returned On Demand.</p>	<p>REYNOBOND® CURVED PANEL JOINT DETAILS G-4 AND G-5 STRAIGHT PANEL HORIZONTAL DRY JOINT DETAIL</p>		

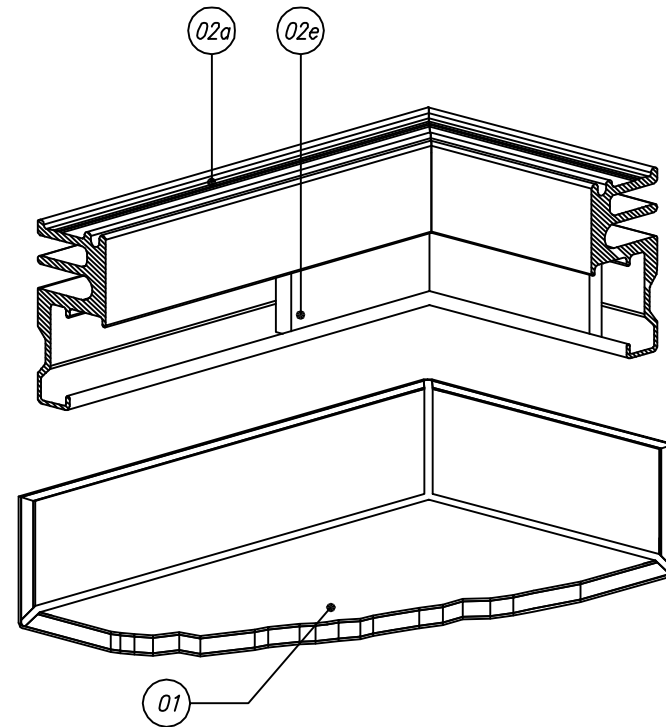
REYNOBOND®
3D VIEW AND SECTIONS – CORNER (ONLY WET SEAL)

REYNOBOND®
3D VIEW AND SECTIONS – CORNER (ONLY DRY SEAL)

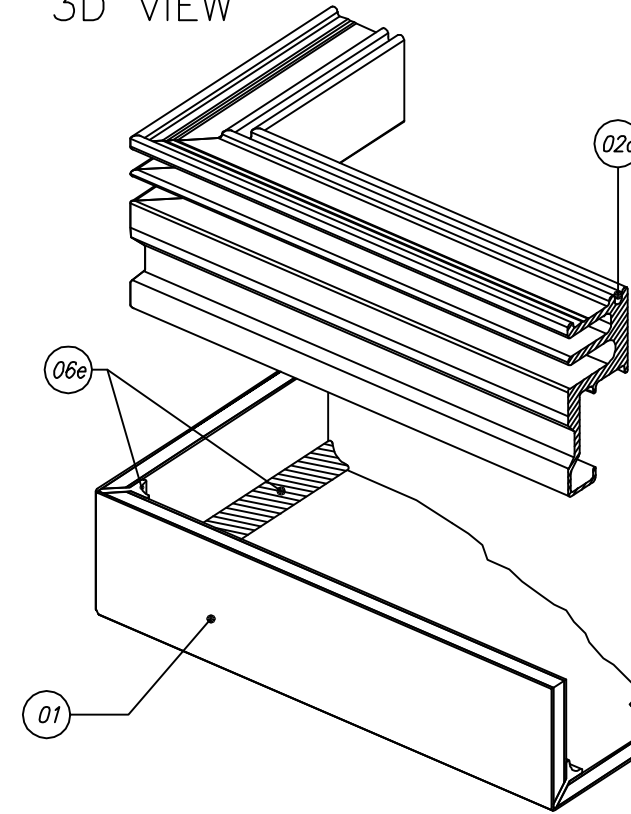
3D VIEW



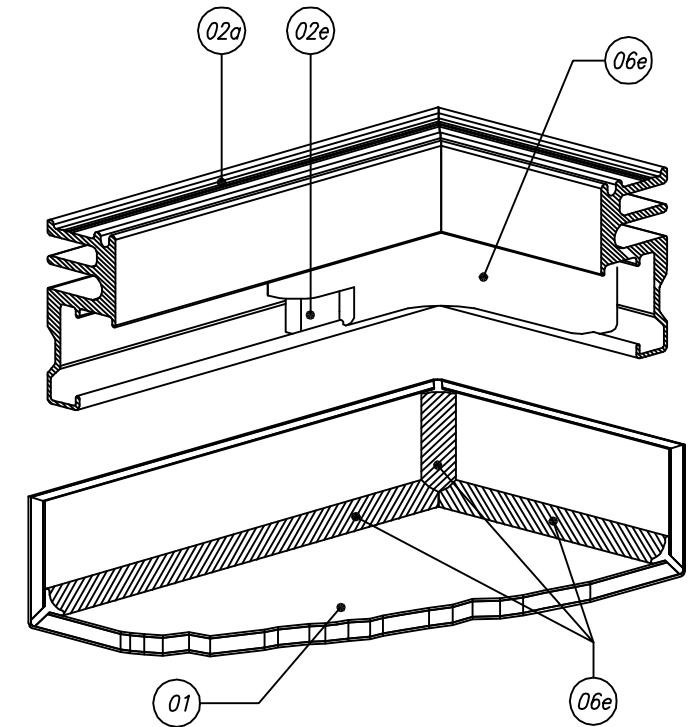
3D VIEW



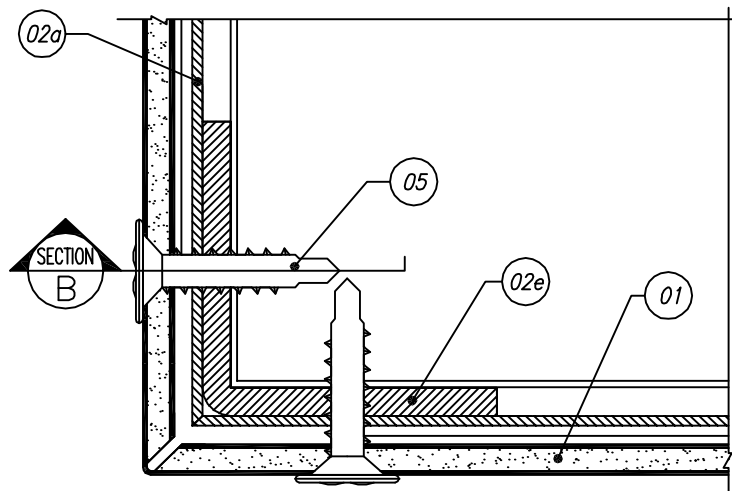
3D VIEW



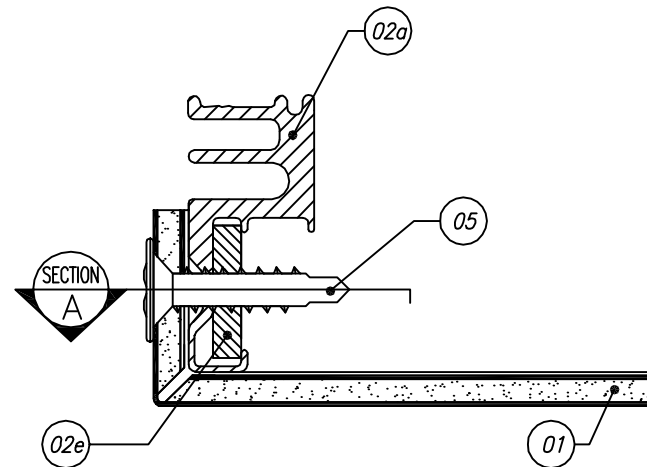
3D VIEW



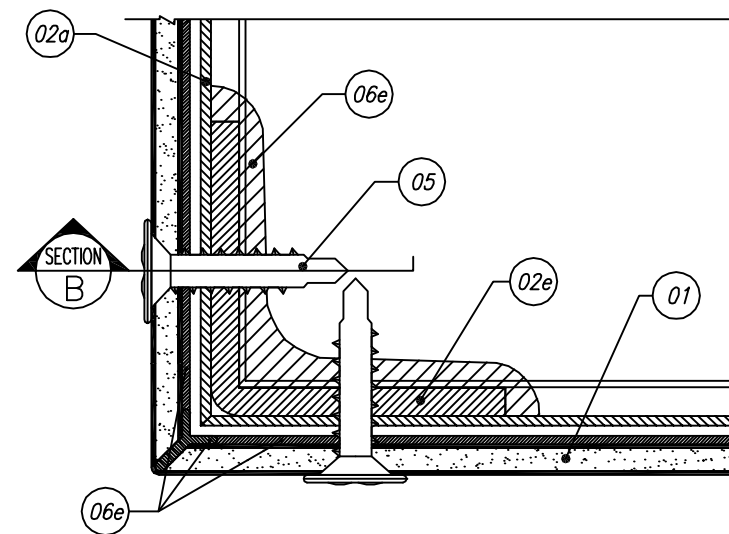
SECTION A



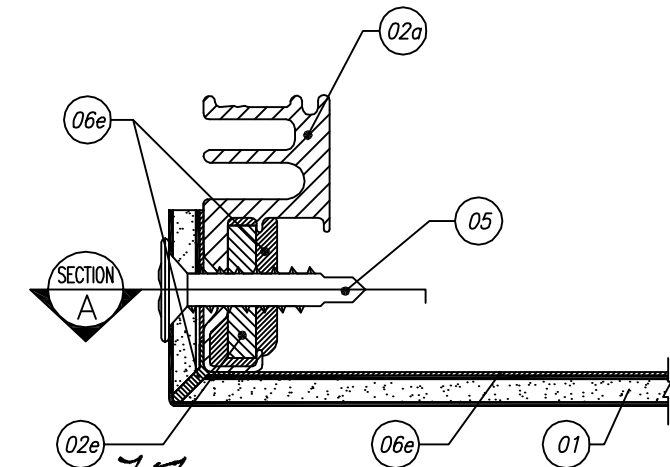
SECTION B




SECTION A



SECTION B



 <p>Arconic Architectural Products 50 Industrial Boulevard Eastman, Georgia 31023 USA Tel: (478) 374 6871</p>	<p>SUBMITTAL DWG. # <i>Reyno-SM-FPA</i></p>	<p>8/12/2019 Lucas A. Turner, P.E. FL PE #58201 Turner Engineering & Consulting, Inc. 2428 Old Natchez Trc Trl, Camden, TN Ph. 941-380-1574 FBPE COA #29779</p>	<p>DATE: 08/12/19</p>
		<p>REVISION:</p>	<p>SHEET: 07 OF 07</p>

CONFIDENTIAL AND PROPRIETARY
PROPERTY OF ARCONIC ARCHITECTURAL
PRODUCTS
Which May Be Used Only For Its Benefit
And Which May Not Be Reproduced Or
Disclosed To Others. This Document And
All Copies Must Be Returned On Demand.

REYNOBOND®
3D VIEW AND SECTIONS – CORNER FRAME DETAIL
DRY AND WET SEAL