

REVISIONS			
REV	DESCRIPTION	DATE	APPROVED
E	REVISED PER NEW REQUIREMENTS	12/04/2020	R.L.

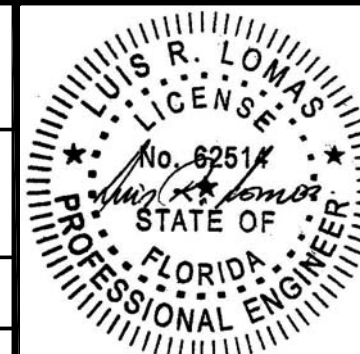
NOTES:

1. THE PRODUCT SHOWN HEREIN IS DESIGNED AND MANUFACTURED TO COMPLY WITH REQUIREMENTS OF THE FLORIDA BUILDING CODE INCLUDING THE HVHZ.
2. WOOD FRAMING AND MASONRY OPENING TO BE DESIGNED AND ANCHORED TO PROPERLY TRANSFER ALL LOADS TO STRUCTURE. FRAMING AND MASONRY OPENING IS THE RESPONSIBILITY OF THE ARCHITECT OR ENGINEER OF RECORD.
3. 1X BUCK OVER MASONRY/CONCRETE IS OPTIONAL. WHERE 1X BUCK IS NOT USED DISSIMILAR MATERIALS MUST BE SEPARATED WITH APPROVED COATING OR MEMBRANE. SELECTION OF COATING OR MEMBRANE IS THE RESPONSIBILITY OF THE ARCHITECT OR ENGINEER OF RECORD.
4. ALLOWABLE STRESS INCREASE OF 1/3 WAS NOT USED IN THE DESIGN OF THE PRODUCT SHOWN HEREIN. WIND LOAD DURATION FACTOR  $C_d=1.6$  WAS USED FOR WOOD ANCHOR CALCULATIONS.
5. FRAME MATERIAL: ALUMINUM 6063-T6, 6063-T5 AND 6005A-T5.
6. UNITS MUST BE GLAZED PER ASTM E1300, SEE SHEET 7 FOR GLASS DETAILS.
7. APPROVED IMPACT PROTECTIVE SYSTEM IS NOT REQUIRED FOR THIS PRODUCT IN WIND BORNE DEBRIS REGIONS.
8. SHIM AS REQUIRED AT EACH INSTALLATION ANCHOR WITH LOAD BEARING SHIM. SHIM WHERE SPACE OF 1/16" OR GREATER OCCURS. MAXIMUM ALLOWABLE SHIM STACK TO BE 1/4".
9. FOR ANCHORING INTO WOOD FRAMING OR 2X BUCK USE #14 WOOD SCREWS WITH SUFFICIENT LENGTH TO ACHIEVE A 1 3/4" MINIMUM EMBEDMENT INTO SUBSTRATE. LOCATE ANCHORS AS SHOWN IN ELEVATIONS AND INSTALLATION DETAILS.
10. FOR ANCHORING INTO MASONRY/CONCRETE USE 1/4" TAPCONS WITH SUFFICIENT LENGTH TO ACHIEVE A 1 1/4" MINIMUM EMBEDMENT INTO SUBSTRATE WITH 2" MINIMUM EDGE DISTANCE. LOCATE ANCHORS AS SHOWN IN ELEVATIONS AND INSTALLATION DETAILS.
11. FOR ANCHORING INTO METAL STRUCTURE USE #14 SMS OR SELF DRILLING SCREWS WITH SUFFICIENT LENGTH TO ACHIEVE 3 THREADS MINIMUM BEYOND STRUCTURE INTERIOR WALL. LOCATE ANCHORS AS SHOWN IN ELEVATIONS AND INSTALLATION DETAILS.
12. ALL FASTENERS TO BE CORROSION RESISTANT.
13. INSTALLATION ANCHORS SHALL BE INSTALLED IN ACCORDANCE WITH ANCHOR MANUFACTURER'S INSTALLATION INSTRUCTIONS AND ANCHORS SHALL NOT BE USED IN SUBSTRATES WITH STRENGTHS LESS THAN THE MINIMUM STRENGTH SPECIFIED BELOW:
  - A. WOOD – MINIMUM SPECIFIC GRAVITY OF  $G=0.42$
  - B. CONCRETE – MINIMUM COMPRESSIVE STRENGTH OF 3,000 PSI.
  - C. MASONRY – STRENGTH CONFORMANCE TO ASTM C-90, GRADE N, TYPE 1 (OR GREATER).
  - D. METAL STRUCTURE: STEEL 18GA, 33KSI OR ALUMINUM 6063-T5 .125" THICK MINIMUM

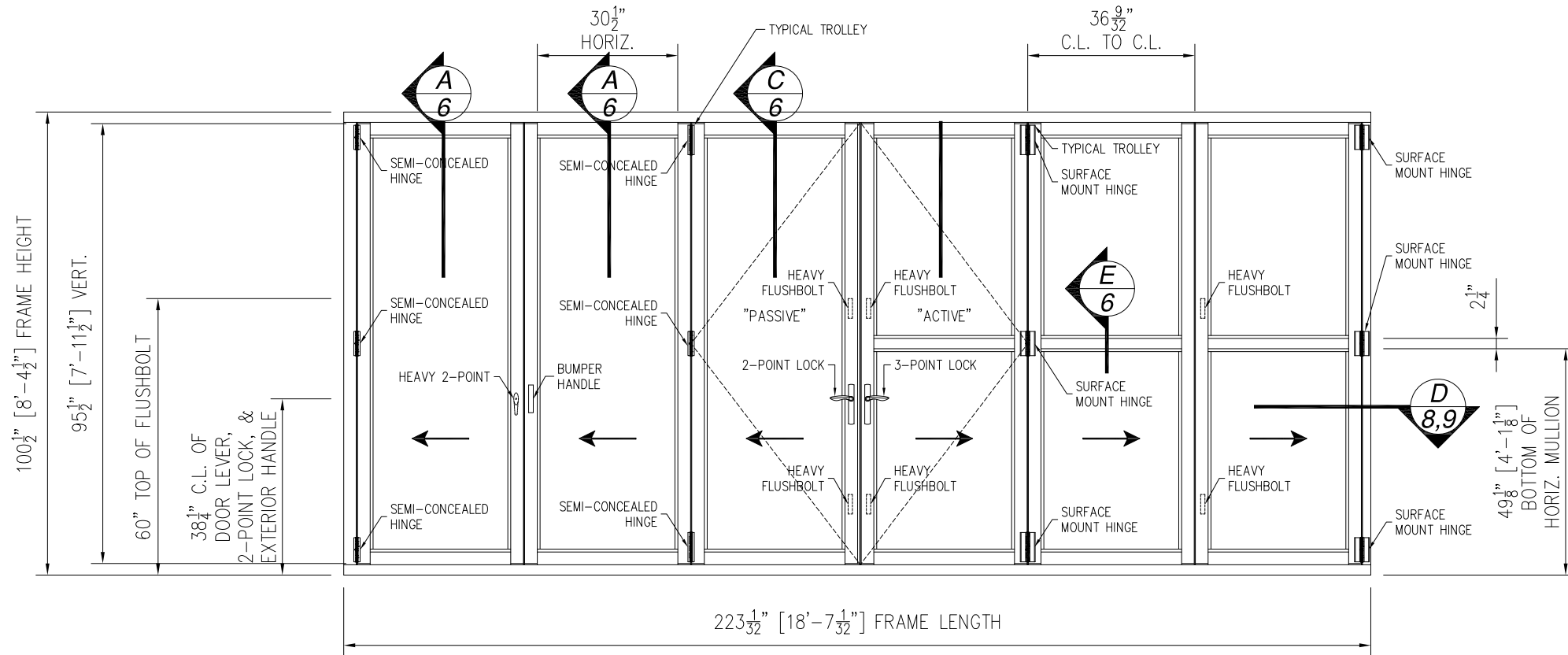
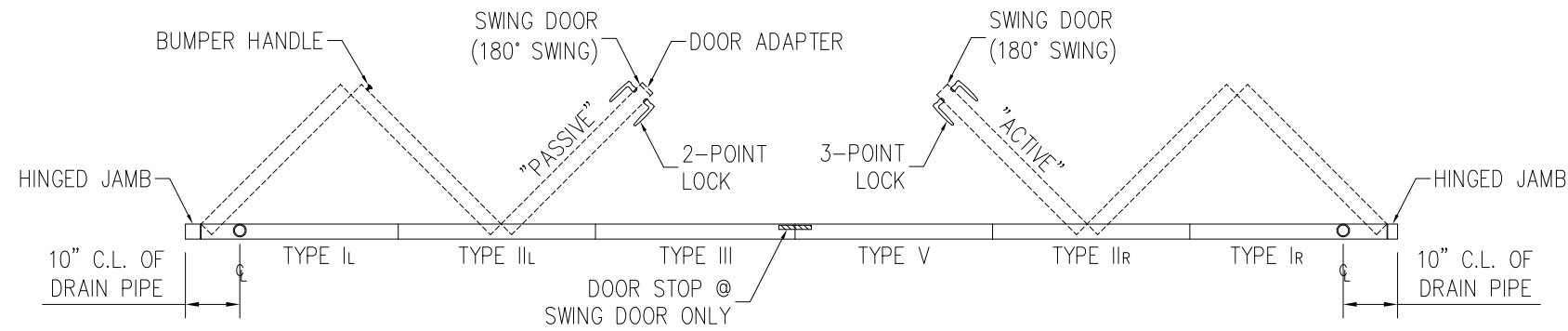
TABLE OF CONTENTS	
SHEET NO.	DESCRIPTION
1	NOTES
2 – 3	ELEVATIONS
4	ANCHORING LAYOUT AND DESIGN PRESSURE CHARTS
5	B.O.M.
6 – 11	CROSS SECTIONS
12 – 15	INSTALLATION DETAILS
16	WEEP DETAILS
17	COMPONENTS

<b>SOLAR INNOVATIONS, INC.</b> 31 ROBERTS RD PINE GROVE, PA 17963		
SERIES SI3000 FGW 3X8 PANEL INFOLD ALUMINUM REINFORCED – IMPACT – HVHZ NOTES		
DRAWN: V.L.	DWG NO. 08-01792	REV E
SCALE NTS	DATE 09/19/12	SHEET 1 OF 17
L. ROBERTO LOMAS P.E. 1432 WOODFORD RD LEWISVILLE, NC 27023 434-688-0609 rllomas@lrlomaspe.com		

SIGNED: 12/18/2020



Luis R. Lomas P.E.  
 FL No.: 62514



**SERIES SI3000 FGW 3X8 PANEL INFOLD ALUMINUM REINFORCED**

EXTERIOR VIEW

UNLIMITED NUMBER OF PANELS IN UNLIMITED CONFIGURATION ARE APPROVED AS LONG AS INDIVIDUAL PANEL AREA DOES NOT EXCEED 24.06 FT<sup>2</sup> AND USES VERTICAL CONDITIONS AS SHOWN.

REVISIONS			
REV	DESCRIPTION	DATE	APPROVED
E	REVISED PER NEW REQUIREMENTS	12/04/2020	R.L.

DESIGN PRESSURE RATING	IMPACT RATING
+60.0/-80.0PSF	LARGE AND SMALL MISSILE IMPACT

MISSILE LEVEL D, WIND ZONE 4, AND HVHZ WHERE WATER RESISTANCE IS REQUIRED, SEE CHART #1 SHEET 4

DESIGN PRESSURE RATING	IMPACT RATING
±80.0PSF	LARGE AND SMALL MISSILE IMPACT

MISSILE LEVEL D, WIND ZONE 4, AND HVHZ WHERE WATER RESISTANCE IS NOT REQUIRE, SEE CHART #2 SHEET 4

DESIGN PRESSURE RATING	IMPACT RATING
+60.0/-70.0PSF	LARGE AND SMALL MISSILE IMPACT

MISSILE LEVEL D, WIND ZONE 4, AND HVHZ WITH FLUSH SILL, SEE CHART #3 SHEET 4

DESIGN PRESSURE RATING	IMPACT RATING
+60.0/-70.0PSF	LARGE AND SMALL MISSILE IMPACT

MISSILE LEVEL D, WIND ZONE 4, AND HVHZ WITH NON-THERMAL PANELS, SEE CHART #3 SHEET 4

**HARDWARE SCHEDULE**

A. SEMI-CONCEALED HINGE BY SOLAR INNOVATIONS
B. 2 POINT HANDLE & LOCK MS000487-XX BY SOLAR INNOVATIONS
C. 3 POINT HANDLE & LOCK BY SOLAR INNOVATIONS
D. HEAVY FLUSH BOLTS MD000442-00-XX BY SOLAR INNOVATIONS
E. SURFACE MOUNT HINGE BY SOLAR INNOVATIONS

SOLAR INNOVATIONS, INC.

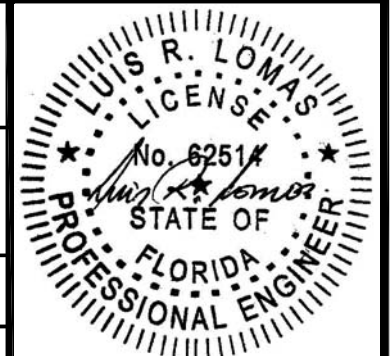
31 ROBERTS RD  
PINE GROVE, PA 17963

SERIES SI3000 FGW 3X8 PANEL INFOLD  
ALUMINUM REINFORCED - IMPACT - HVHZ  
ELEVATION

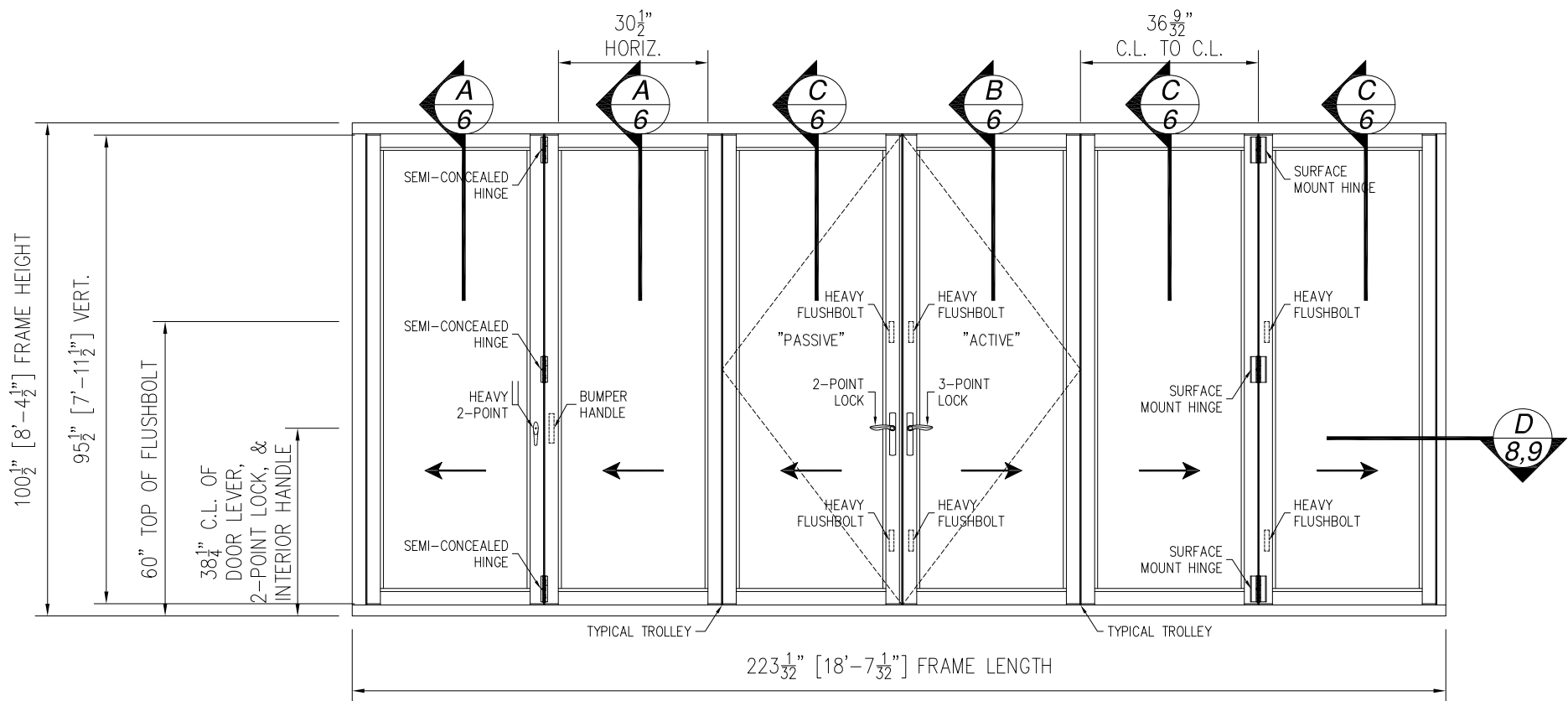
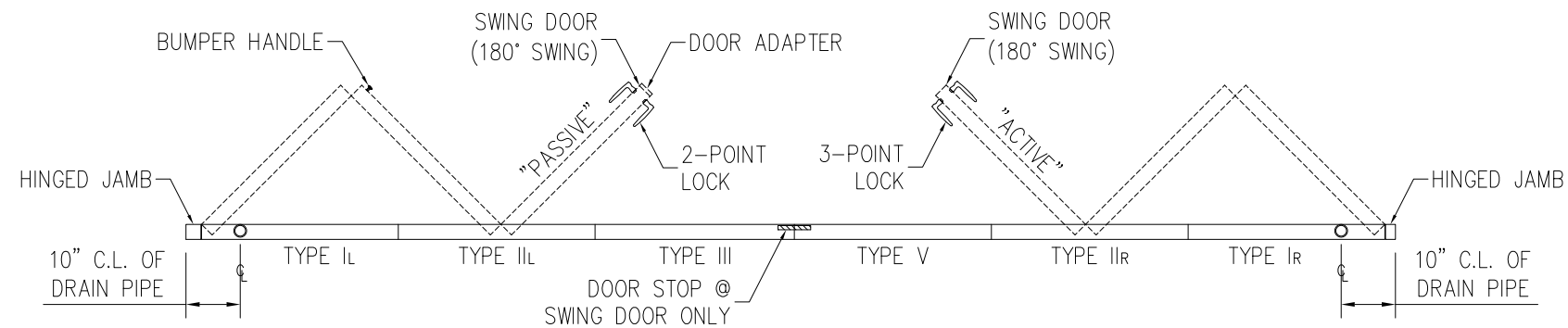
DRAWN: V.L.	DWG NO. 08-01792	REV E
SCALE NTS	DATE 09/19/12	SHEET 2 OF 17

L. ROBERTO LOMAS P.E.  
1432 WOODFORD RD LEWISVILLE, NC 27023  
434-688-0609 rllomas@rlomaspe.com

SIGNED: 12/18/2020



Luis R. Lomas P.E.  
FL No.: 62514



**SERIES SI3000 FGW 3x8 PANEL INFOLD ALUMINUM REINFORCED**

EXTERIOR VIEW

UNLIMITED NUMBER OF PANELS IN UNLIMITED CONFIGURATION ARE APPROVED AS LONG AS INDIVIDUAL PANEL AREA DOES NOT EXCEED 24.06 FT<sup>2</sup> AND USES VERTICAL CONDITIONS AS SHOWN.

REVISIONS			
REV	DESCRIPTION	DATE	APPROVED
E	REVISED PER NEW REQUIREMENTS	12/04/2020	R.L.

DESIGN PRESSURE RATING	IMPACT RATING
+60.0/-80.0PSF	LARGE AND SMALL MISSILE IMPACT

MISSILE LEVEL D, WIND ZONE 4, AND HVHZ WHERE WATER RESISTANCE IS REQUIRED, SEE CHART #1 SHEET 4

DESIGN PRESSURE RATING	IMPACT RATING
±80.0PSF	LARGE AND SMALL MISSILE IMPACT

MISSILE LEVEL D, WIND ZONE 4, AND HVHZ WHERE WATER RESISTANCE IS NOT REQUIRED, SEE CHART #2 SHEET 4

DESIGN PRESSURE RATING	IMPACT RATING
+60.0/-70.0PSF	LARGE AND SMALL MISSILE IMPACT

MISSILE LEVEL D, WIND ZONE 4, AND HVHZ WITH FLUSH SILL, SEE CHART #3 SHEET 4

DESIGN PRESSURE RATING	IMPACT RATING
+60.0/-70.0PSF	LARGE AND SMALL MISSILE IMPACT

MISSILE LEVEL D, WIND ZONE 4, AND HVHZ WITH NON-THERMAL PANELS, SEE CHART #3 SHEET 4

**HARDWARE SCHEDULE**

A. SEMI-CONCEALED HINGE BY SOLAR INNOVATIONS
B. 2 POINT HANDLE & LOCK MS000487-XX BY SOLAR INNOVATIONS
C. 3 POINT HANDLE & LOCK BY SOLAR INNOVATIONS
D. HEAVY FLUSH BOLTS MD000442-00-XX BY SOLAR INNOVATIONS
E. SURFACE MOUNT HINGE BY SOLAR INNOVATIONS

**SOLAR INNOVATIONS, INC.**

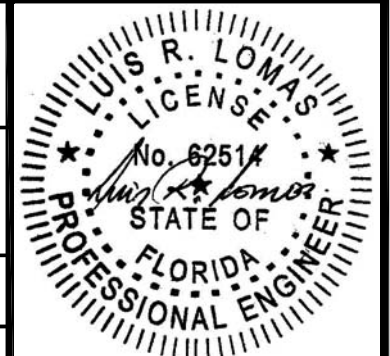
31 ROBERTS RD  
PINE GROVE, PA 17963

SERIES SI3000 FGW 3X8 PANEL INFOLD  
ALUMINUM REINFORCED - IMPACT - HVHZ  
ELEVATION

DRAWN: V.L.	DWG NO. 08-01792	REV E
SCALE NTS	DATE 09/19/12	SHEET 3 OF 17

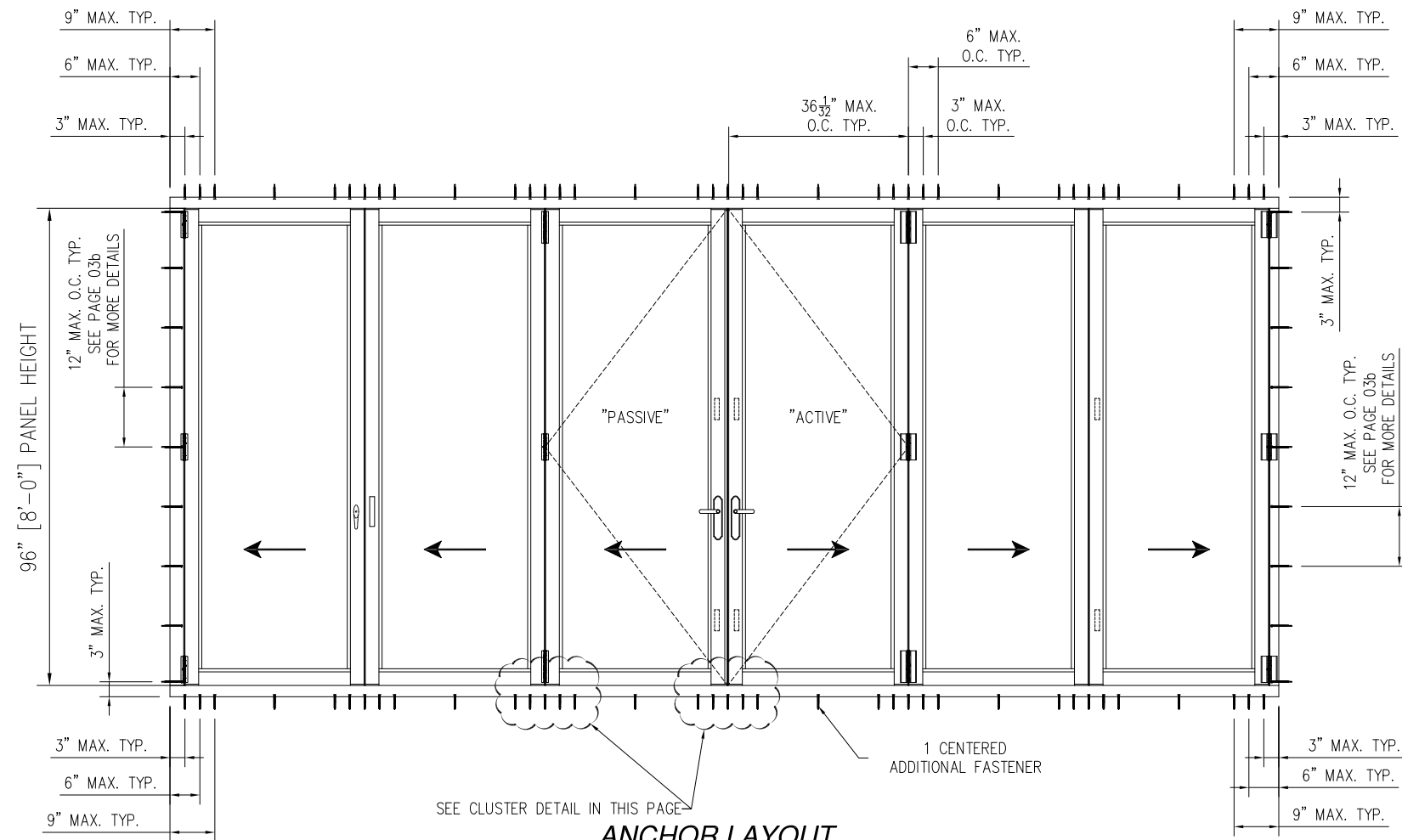
L. ROBERTO LOMAS P.E.  
1432 WOODFORD RD LEWISVILLE, NC 27023  
434-688-0609 rllomas@rlomaspe.com

SIGNED: 12/18/2020

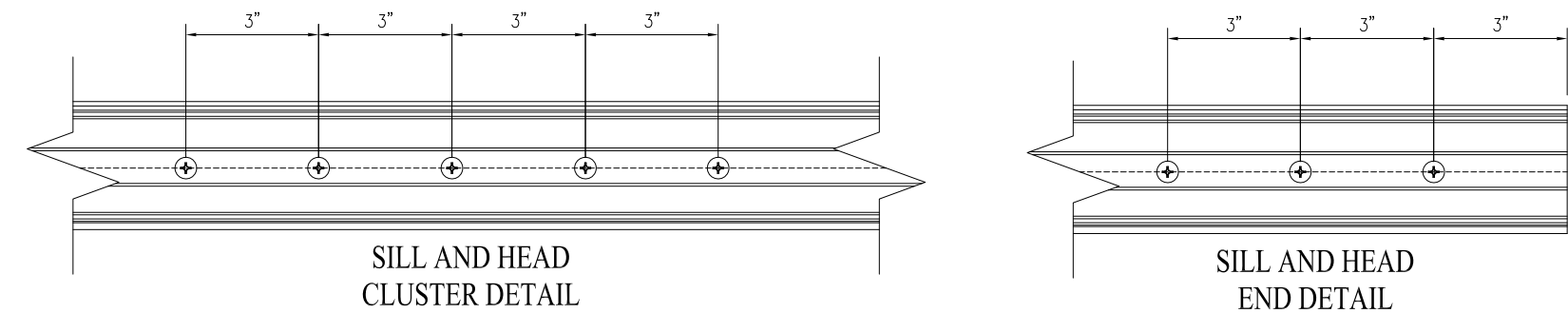


Luis R. Lomas P.E.  
FL No.: 62514

REVISIONS			
REV	DESCRIPTION	DATE	APPROVED
E	REVISED PER NEW REQUIREMENTS	12/04/2020	R.L.



**ANCHOR LAYOUT**  
APPLICABLE TO ALL CONFIGURATIONS.



**Chart # 3**

Panel Height (in)	Maximum Design pressure (psf)									
	Single Panel Width (in)									
	24.0		30.0		36.281		42.0		44.0	
	Pos	Neg	Pos	Neg	Pos	Neg	Pos	Neg	Pos	Neg
78.0	60.0	80.0	60.0	80.0	60.0	80.0	60.0	74.0	60.0	70.7
84.0	60.0	80.0	60.0	80.0	60.0	79.6	-	-	-	-
90.0	60.0	80.0	60.0	80.0	60.0	74.3	-	-	-	-
95.5	60.0	80.0	60.0	80.0	60.0	70.0	-	-	-	-
96.0	60.0	80.0	60.0	80.0	-	-	-	-	-	-
102.0	60.0	80.0	60.0	67.9	-	-	-	-	-	-
108.0	60.0	70.4	56.9	56.9	-	-	-	-	-	-
114.0	59.7	59.7	48.3	48.3	-	-	-	-	-	-
120.0	51.1	51.1	-	-	-	-	-	-	-	-
126.0	44.1	44.1	-	-	-	-	-	-	-	-
132.0	38.3	38.3	-	-	-	-	-	-	-	-
138.0	33.5	33.5	-	-	-	-	-	-	-	-
144.0	29.4	29.4	-	-	-	-	-	-	-	-

**Chart # 1**

Panel Height (in)	Maximum Design pressure (psf)									
	Single Panel Width (in)									
	24.0		30.0		36.281		42.0		44.0	
	Pos	Neg	Pos	Neg	Pos	Neg	Pos	Neg	Pos	Neg
78.0	60.0	80.0	60.0	80.0	60.0	80.0	60.0	80.0	60.0	80.0
84.0	60.0	80.0	60.0	80.0	60.0	80.0	-	-	-	-
90.0	60.0	80.0	60.0	80.0	60.0	80.0	-	-	-	-
95.5	60.0	80.0	60.0	80.0	60.0	80.0	-	-	-	-
96.0	60.0	80.0	60.0	80.0	-	-	-	-	-	-
102.0	60.0	80.0	60.0	77.5	-	-	-	-	-	-
108.0	60.0	80.0	60.0	65.1	-	-	-	-	-	-
114.0	60.0	68.3	55.2	55.2	-	-	-	-	-	-
120.0	58.4	58.4	-	-	-	-	-	-	-	-
126.0	50.4	50.4	-	-	-	-	-	-	-	-
132.0	43.8	43.8	-	-	-	-	-	-	-	-
138.0	38.3	38.3	-	-	-	-	-	-	-	-
144.0	33.6	33.6	-	-	-	-	-	-	-	-

**Chart # 2**

Panel Height (in)	Maximum Design pressure (psf)									
	Single Panel Width (in)									
	24.0		30.0		36.281		42.0		44.0	
	Pos	Neg	Pos	Neg	Pos	Neg	Pos	Neg	Pos	Neg
78.0	80.0	80.0	80.0	80.0	80.0	80.0	80.0	80.0	80.0	80.0
84.0	80.0	80.0	80.0	80.0	80.0	80.0	-	-	-	-
90.0	80.0	80.0	80.0	80.0	80.0	80.0	-	-	-	-
95.5	80.0	80.0	80.0	80.0	80.0	80.0	-	-	-	-
96.0	80.0	80.0	80.0	80.0	-	-	-	-	-	-
102.0	80.0	80.0	77.5	77.5	-	-	-	-	-	-
108.0	80.0	80.0	65.1	65.1	-	-	-	-	-	-
114.0	68.3	68.3	55.2	55.2	-	-	-	-	-	-
120.0	58.4	58.4	-	-	-	-	-	-	-	-
126.0	50.4	50.4	-	-	-	-	-	-	-	-
132.0	43.8	43.8	-	-	-	-	-	-	-	-
138.0	38.3	38.3	-	-	-	-	-	-	-	-
144.0	33.6	33.6	-	-	-	-	-	-	-	-

SOLAR INNOVATIONS, INC.

31 ROBERTS RD  
PINE GROVE, PA 17963

SERIES SI3000 FGW 3X8 PANEL INFOLD  
ALUMINUM REINFORCED - IMPACT - HVHZ  
ANCHORING LAYOUT AND DESIGN PRESSURE CHARTS

DRAWN: V.L.	DWG NO. 08-01792	REV E
SCALE NTS	DATE 09/19/12	SHEET 4 OF 17

L. ROBERTO LOMAS P.E.  
1432 WOODFORD RD LEWISVILLE, NC 27023  
434-688-0609 rllomas@rlomaspe.com

SIGNED: 12/18/2020



Luis R. Lomas P.E.  
FL No.: 62514

PARTS LIST				
NO.	PART NUMBER	DESCRIPTION	MANUFACTURER	MATERIAL
1	H-12498-A	DUAL WHEEL HEAD/SILL ASSY	KEYMARK	ALUMINUM 6063-T5
2	S45004	FRAME	KEYMARK	ALUMINUM 6063-T5
3	S54168	FRAME CAP	KEYMARK	ALUMINUM 6063-T5
4	H07559	FRAME LUG	KEYMARK	ALUMINUM 6063-T5
5	NOT USED			
6	47086	HANDLE - LOW PROFILE	KEYMARK	ALUMINUM 6063-T5
7		HANDLE - RECESSED/FLUSH	KEYMARK	ALUMINUM 6063-T5
8	34713	GLASS STOP 1"	KEYMARK	ALUMINUM 6063-T5
9	34715	GLASS STOP 9/16"	KEYMARK	ALUMINUM 6063-T5
10		JAMB REINFORCEMENT	SOLAR	STEEL
11	H10686	HINGE EXTENSION	KEYMARK	ALUMINUM 6063-T5
12	S50311	TROLLY BODY	KEYMARK	ALUMINUM 6063-T6
13	34717	IDLER BODY	KEYMARK	ALUMINUM 6063-T5
14	H07606	HINGE	KEYMARK	ALUMINUM 6063-T5
15	S34841	HINGE COVER	KEYMARK	ALUMINUM 6063-T5
16	H07562	HINGE BARREL	KEYMARK	ALUMINUM 6063-T5
17		HINGE SEMI CONOEALD	KEYMARK	ALUMINUM 6063-T5
18	S47543	FRAME LOW PROFILE	KEYMARK	ALUMINUM 6063-T5
19	4498-02-00	MULTIFIN GASKET	EPG	EPDM 70 SHORE A
20		#10-32 X 1/2" FH SS SCREW		
22		1/8" SETTING BLOCK		
23		FLASHING		
24		#8 X 1/2" PH SELF DRILLING SCREW		
25		TROLLY COVER	KEYMARK	ALUMINUM 6063-T5
26		#8-32 X 3/8" FH SMS		
27		3/4" ARROW SHIM		
28		1/8" HARD SHIM		
29		SILPRUF	GE	
30		TROLLY ASSY BOTTOM LOAD		ALUMINUM 6063-T5
31		NOT USED		

REVISIONS			
REV	DESCRIPTION	DATE	APPROVED
E	REVISED PER NEW REQUIREMENTS	12/04/2020	R.L.

PARTS LIST				
NO.	PART NUMBER	DESCRIPTION	MANUFACTURER	MATERIAL
32		#10-24 X 1/2" FH SMS		
33		#12 X 1 FH SELF DRILLING SCREW		
34	GA000247-00-02	GASKET		
35		2 POINT LOCK		
36		#10-32 X 1" FH SMS		
37	49050	SLIDE-IN DOOR STOP	KEYMARK	ALUMINUM 6063-T5
38	GA000022-00-02	BULB GASKET		
39	40921	DOOR ADAPTER	KEYMARK	ALUMINUM 6063-T5
40		FLUSH BOLT		
41		DOOR SWEEP GASKET		
42		DOOR LEVER "MILAN" 2POINT LOCK		
43	44793	MULLION	KEYMARK	ALUMINUM 6063-T5
44		SURFACE MOUNT HINGE	KEYMARK	ALUMINUM 6063-T5
45		#10-32 X 3/8 FH SMS		
46		DOOR LEVER TORONTO 2 POINT LOCK		
47		REINFORCEMENT	KEYMARK	ALUMINUM 6063-T5
48	12497/12498	FLUSH SILL	KEYMARK	ALUMINUM 6063-T5
49	12862	NON-THERMAL FRAME	KEYMARK	ALUMINUM 6063-T5

**SOLAR INNOVATIONS, INC.**  
31 ROBERTS RD  
PINE GROVE, PA 17963

---

SERIES SI3000 FGW 3X8 PANEL INFOLD  
ALUMINUM REINFORCED - IMPACT - HVHZ  
B.O.M.

DRAWN: V.L.	DWG NO. 08-01792	REV E
SCALE NTS	DATE 09/19/12	SHEET 5 OF 17

L. ROBERTO LOMAS P.E.  
1432 WOODFORD RD LEWISVILLE, NC 27023  
434-688-0609 rllomas@rlomaspe.com

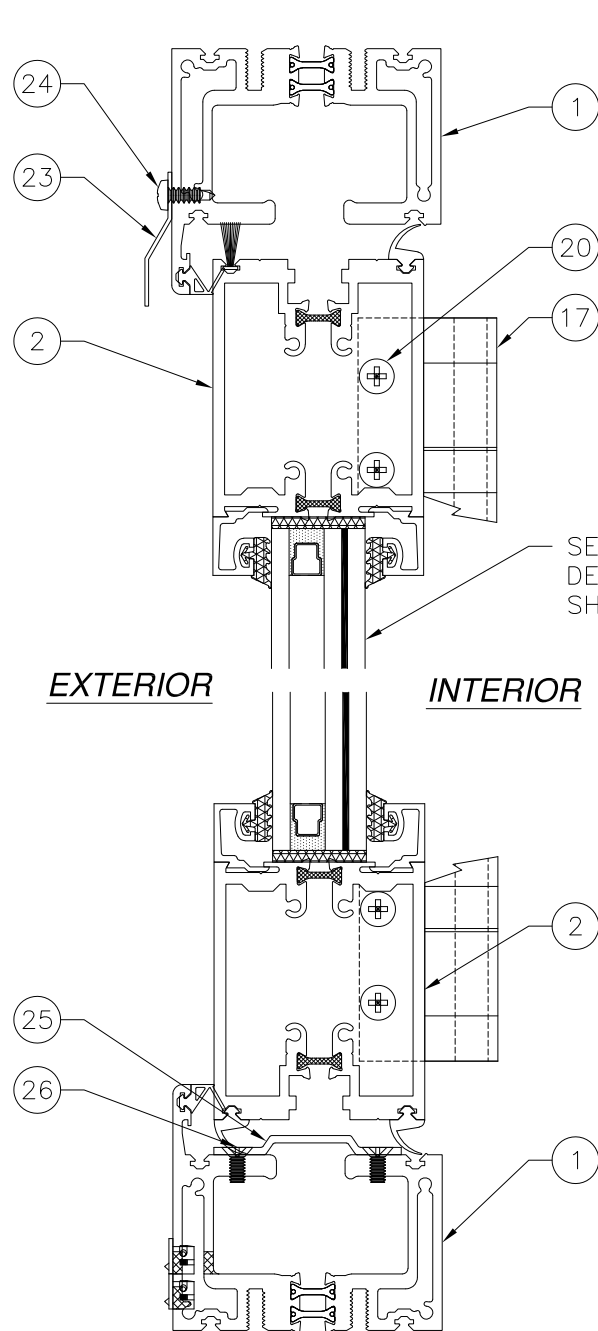
SIGNED: 12/18/2020



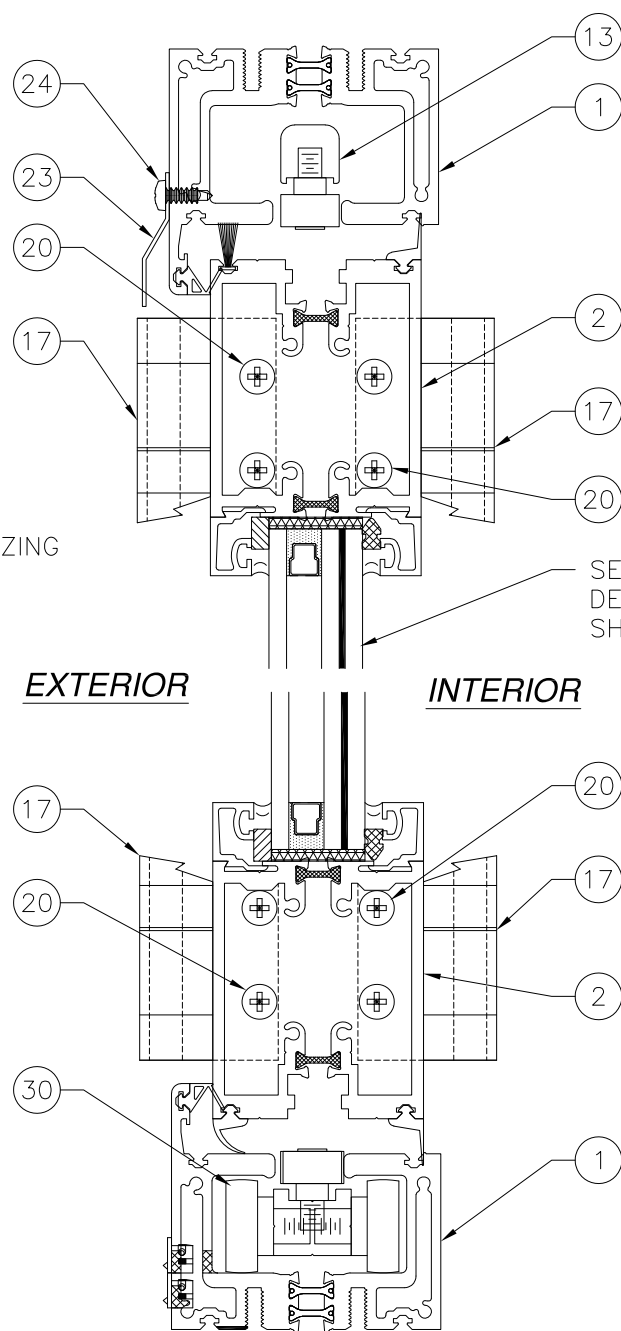
Luis R. Lomas P.E.  
FL No.: 62514

**FOR ILLUSTRATION PURPOSES ONLY  
FOR INSTALLATION DETAILS REFER TO SHEETS 12 -15**

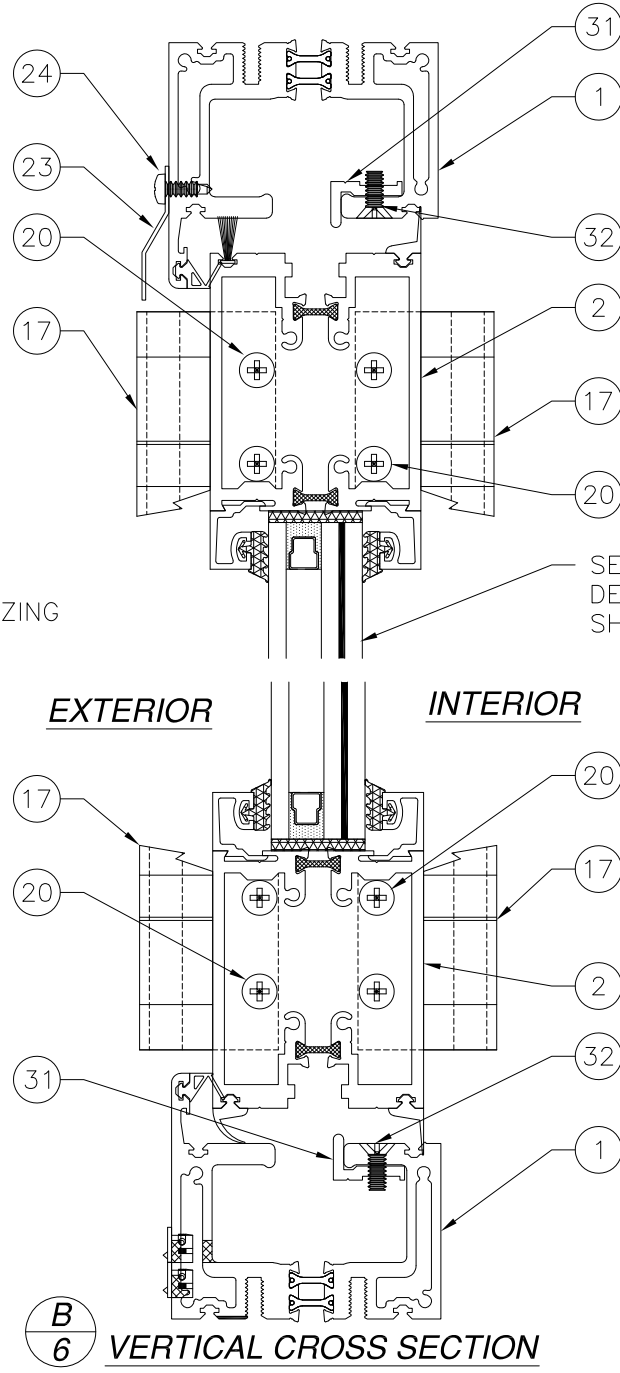
REVISIONS			
REV	DESCRIPTION	DATE	APPROVED
E	REVISED PER NEW REQUIREMENTS	12/04/2020	R.L.



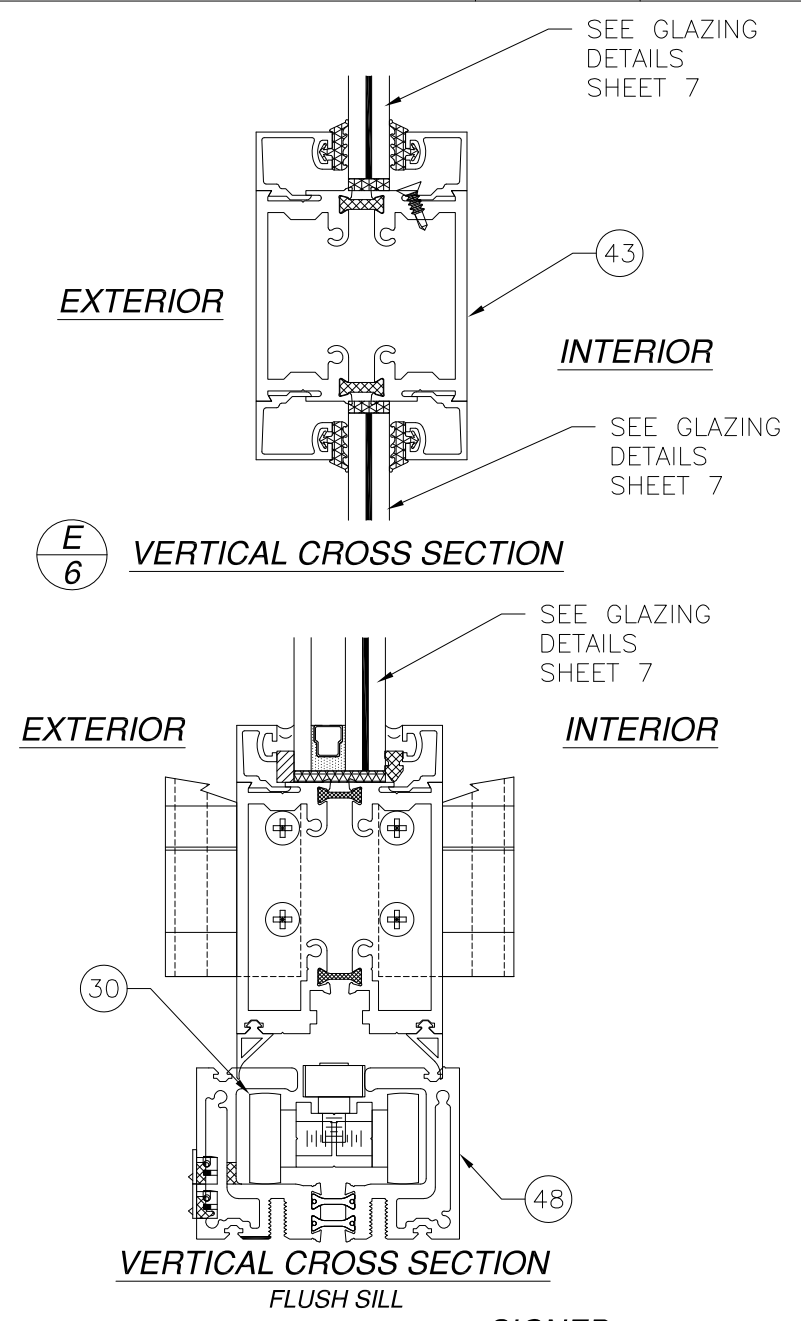
**A**  
**6** VERTICAL CROSS SECTION



**C**  
**6** VERTICAL CROSS SECTION  
BOTTOM LOAD



**B**  
**6** VERTICAL CROSS SECTION



**E**  
**6** VERTICAL CROSS SECTION

VERTICAL CROSS SECTION  
FLUSH SILL

SIGNED: 12/18/2020

SOLAR INNOVATIONS, INC.  
31 ROBERTS RD  
PINE GROVE, PA 17963

SERIES SI3000 FGW 3X8 PANEL INFOLD  
ALUMINUM REINFORCED - IMPACT - HVHZ  
VERTICAL CROSS SECTIONS

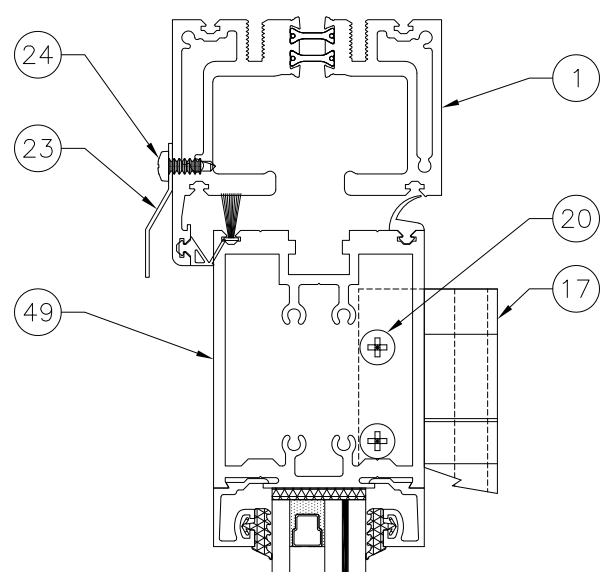
DRAWN: V.L.	DWG NO. 08-01792	REV E
SCALE NTS	DATE 09/19/12	SHEET 6 OF 17

L. ROBERTO LOMAS P.E.  
1432 WOODFORD RD LEWISVILLE, NC 27023  
434-688-0609 rllomas@rlomaspe.com

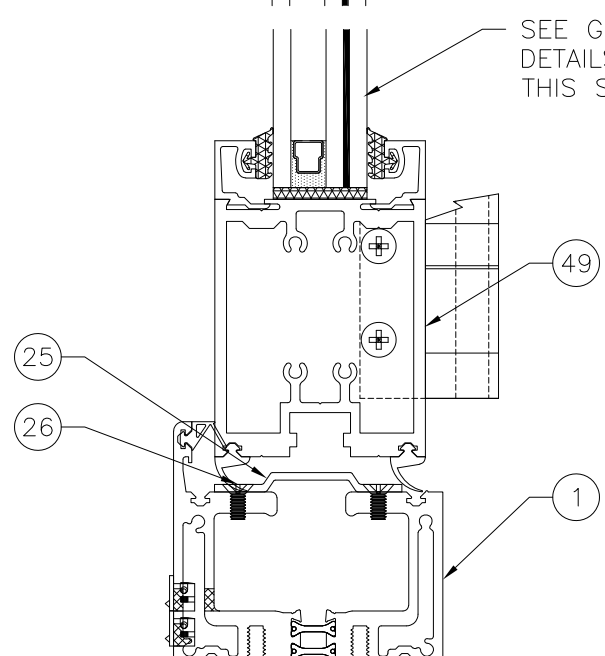
Luis R. Lomas P.E.  
FL No.: 62514

**FOR ILLUSTRATION PURPOSES ONLY  
FOR INSTALLATION DETAILS REFER TO SHEETS 12 -15**

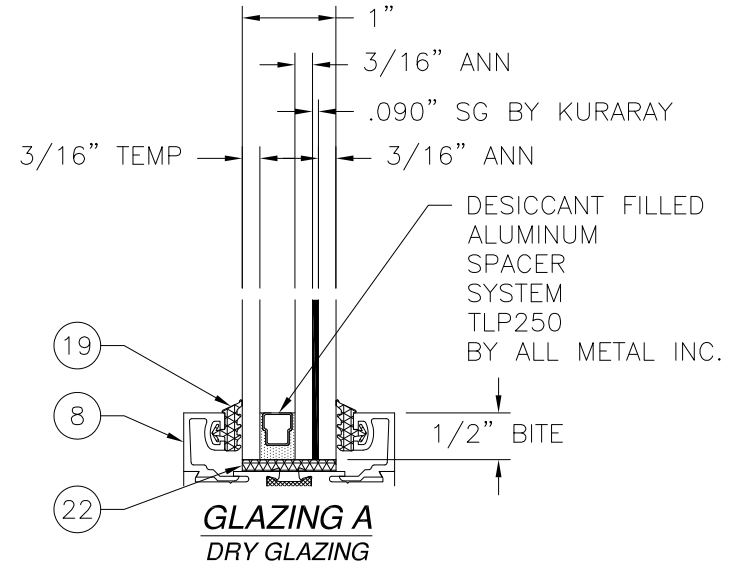
REVISIONS			
REV	DESCRIPTION	DATE	APPROVED
E	REVISED PER NEW REQUIREMENTS	12/04/2020	R.L.



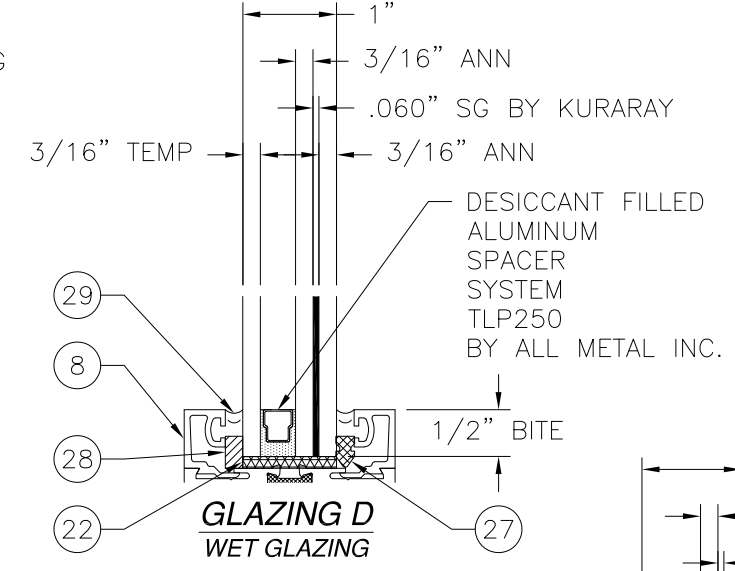
**EXTERIOR** **INTERIOR**



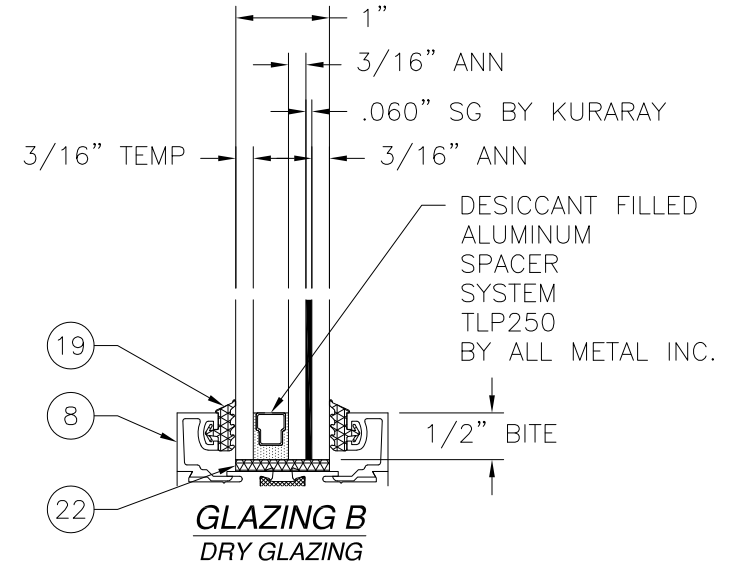
**A**  
**7** **VERTICAL CROSS SECTION  
WITH NON-THERMAL PANELS**



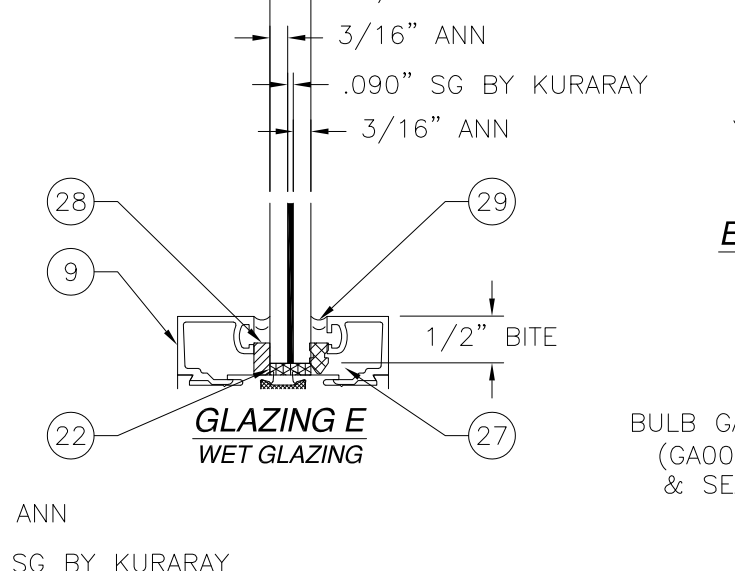
**GLAZING A  
DRY GLAZING**



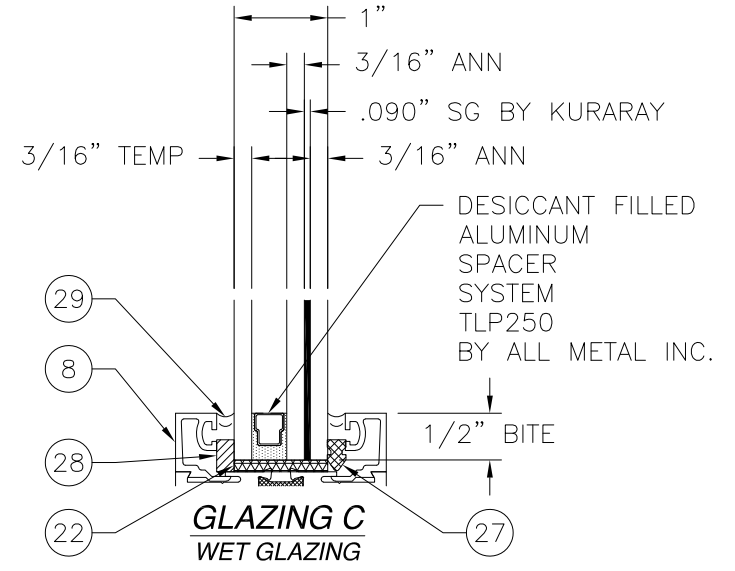
**GLAZING D  
WET GLAZING**



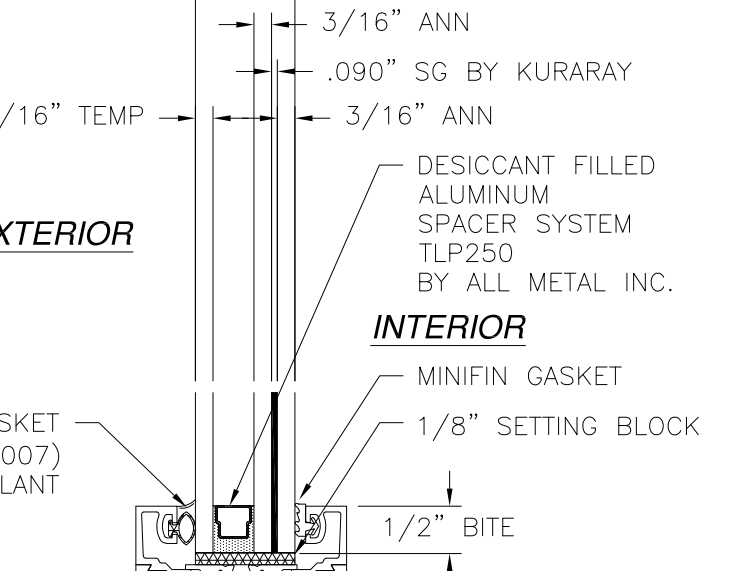
**GLAZING B  
DRY GLAZING**



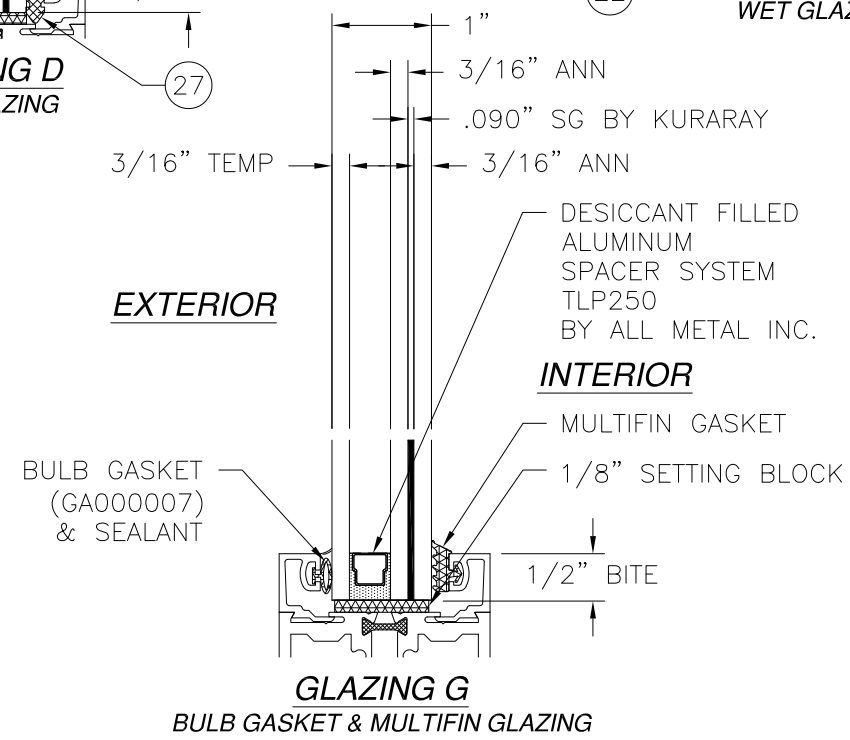
**GLAZING E  
WET GLAZING**



**GLAZING C  
WET GLAZING**



**GLAZING F  
BULB GASKET & MINIFIN GLAZING**



**GLAZING G  
BULB GASKET & MULTIFIN GLAZING**

**SOLAR INNOVATIONS, INC.**  
31 ROBERTS RD  
PINE GROVE, PA 17963

SERIES SI3000 FGW 3X8 PANEL INFOLD  
ALUMINUM REINFORCED - IMPACT - HVHZ  
CROSS SECTIONS & GLAZING DETAILS

DRAWN: V.L.	DWG NO. 08-01792	REV E
SCALE NTS	DATE 09/19/12	SHEET 7 OF 17

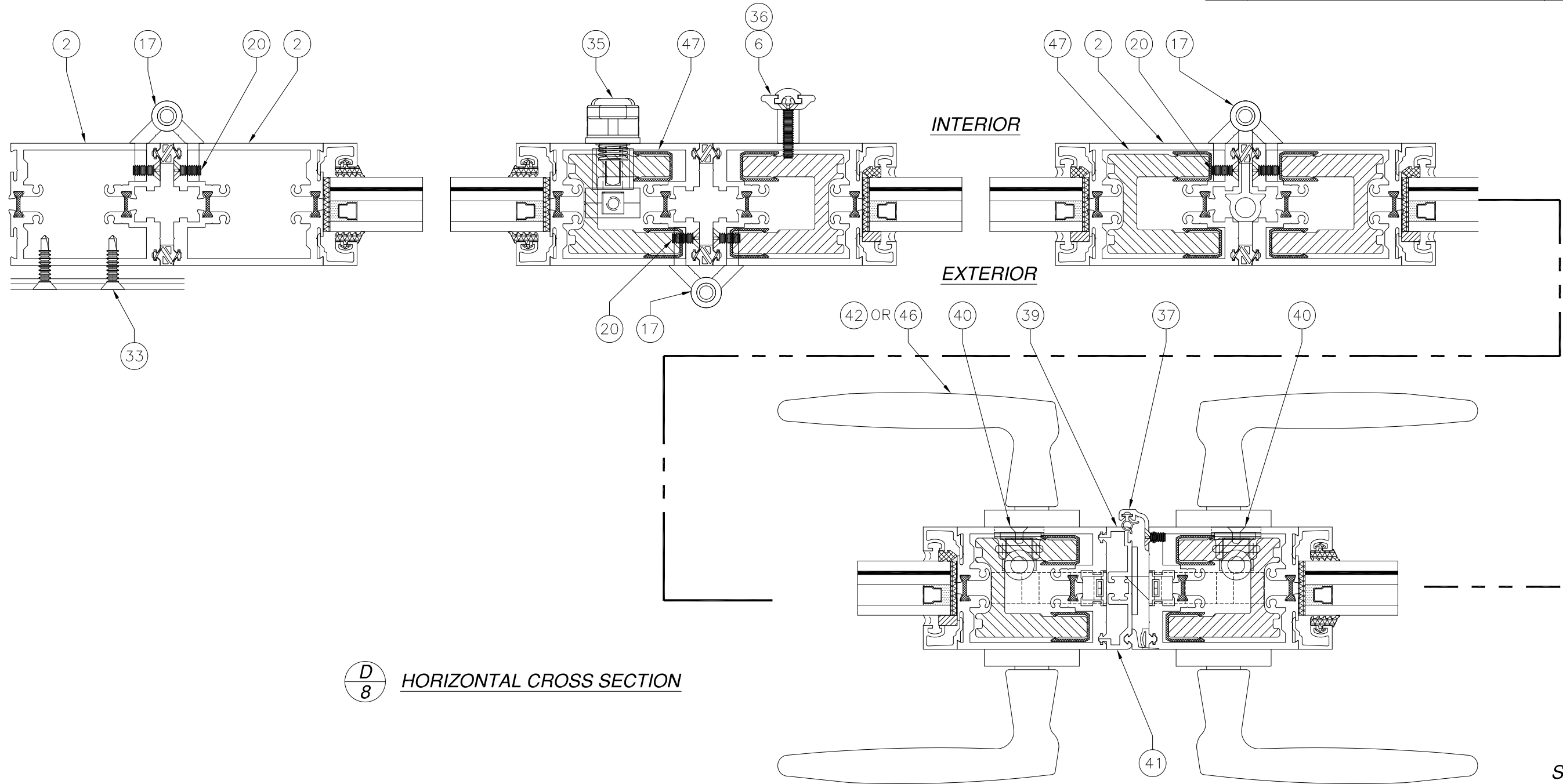
L. ROBERTO LOMAS P.E.  
1432 WOODFORD RD LEWISVILLE, NC 27023  
434-688-0609 rllomas@rlomaspe.com

SIGNED: 12/18/2020

Luis R. Lomas P.E.  
FL No.: 62514

FOR ILLUSTRATION PURPOSES ONLY  
 FOR INSTALLATION DETAILS REFER TO SHEETS 12 -15

REVISIONS			
REV	DESCRIPTION	DATE	APPROVED
E	REVISED PER NEW REQUIREMENTS	12/04/2020	R.L.



$\frac{D}{8}$  HORIZONTAL CROSS SECTION

CONTINUED  
 IN SHEET 9

SIGNED: 12/18/2020

SOLAR INNOVATIONS, INC.  
 31 ROBERTS RD  
 PINE GROVE, PA 17963

SERIES SI3000 FGW 3X8 PANEL INFOLD  
 ALUMINUM REINFORCED - IMPACT - HVHZ  
 HORIZONTAL CROSS SECTIONS

DRAWN: V.L.	DWG NO. 08-01792	REV E
SCALE NTS	DATE 09/19/12	SHEET 8 OF 17

L. ROBERTO LOMAS P.E.  
 1432 WOODFORD RD LEWISVILLE, NC 27023  
 434-688-0609 rllomas@rlomaspe.com

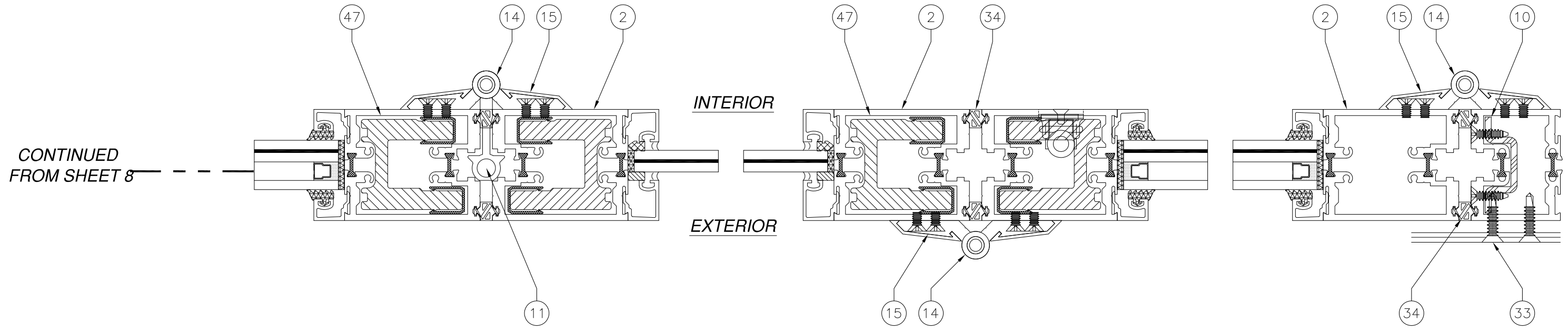


Luis R. Lomas P.E.  
 FL No.: 62514



REVISIONS			
REV	DESCRIPTION	DATE	APPROVED
E	REVISED PER NEW REQUIREMENTS	12/04/2020	R.L.

FOR ILLUSTRATION PURPOSES ONLY  
FOR INSTALLATION DETAILS REFER TO SHEETS 12 -15



$\frac{D}{9}$  HORIZONTAL CROSS SECTION

SIGNED: 12/18/2020

SOLAR INNOVATIONS, INC.  
31 ROBERTS RD  
PINE GROVE, PA 17963

SERIES SI3000 FGW 3X8 PANEL INFOLD  
ALUMINUM REINFORCED - IMPACT - HVHZ  
HORIZONTAL CROSS SECTIONS

DRAWN: V.L.	DWG NO. 08-01792	REV E
SCALE NTS	DATE 09/19/12	SHEET 9 OF 17

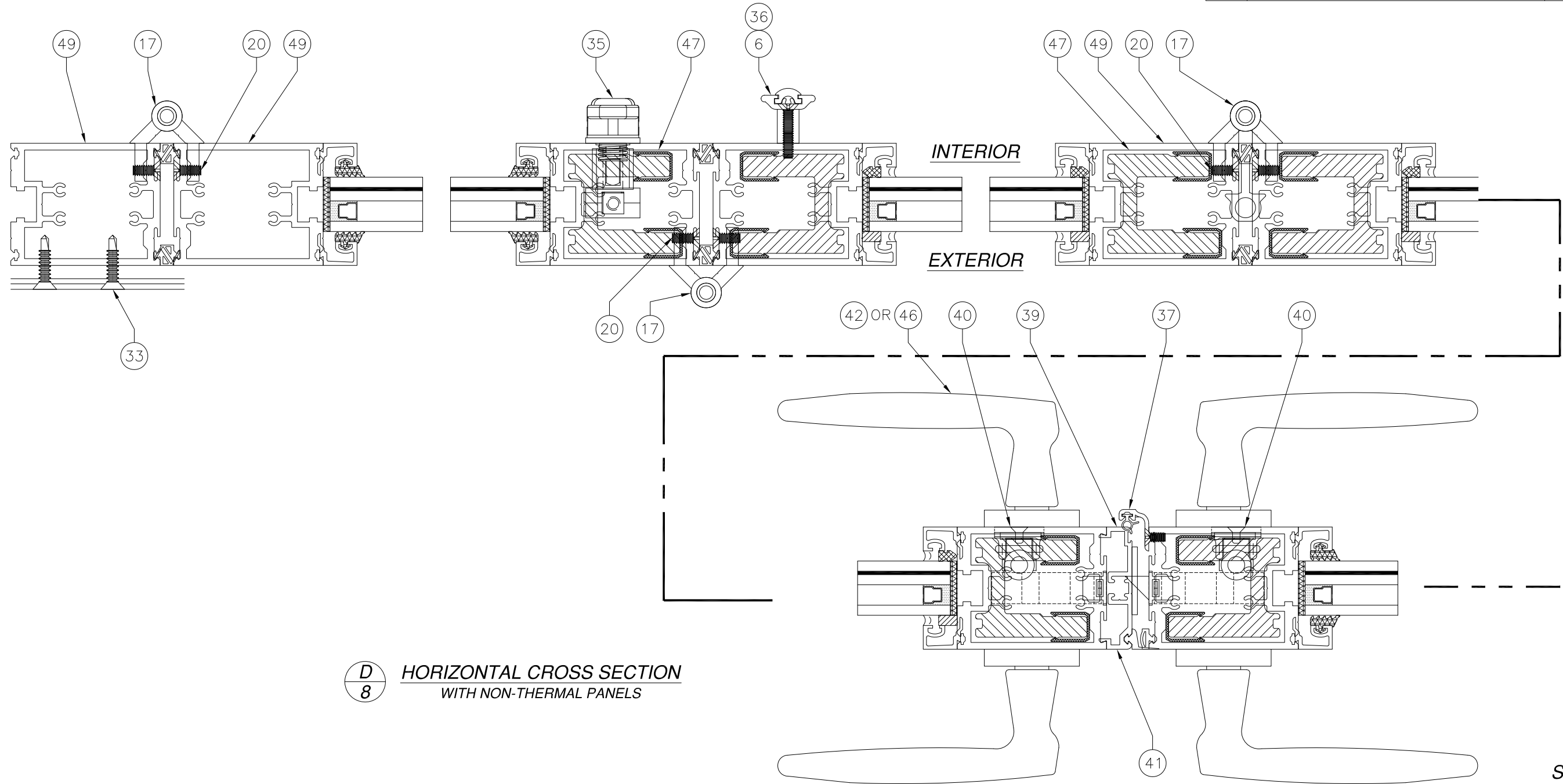
L. ROBERTO LOMAS P.E.  
1432 WOODFORD RD LEWISVILLE, NC 27023  
434-688-0609 rllomas@lrlomaspe.com



Luis R. Lomas P.E.  
FL No.: 62514

FOR ILLUSTRATION PURPOSES ONLY  
 FOR INSTALLATION DETAILS REFER TO SHEETS 12 -15

REVISIONS			
REV	DESCRIPTION	DATE	APPROVED
E	REVISED PER NEW REQUIREMENTS	12/04/2020	R.L.



**D**  
**8** HORIZONTAL CROSS SECTION  
 WITH NON-THERMAL PANELS

CONTINUED  
 IN SHEET 11

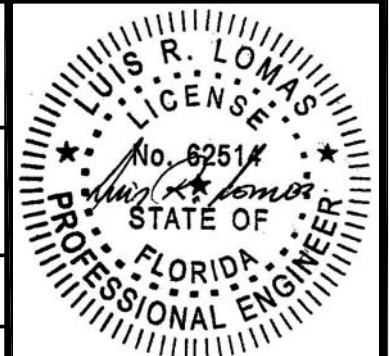
SIGNED: 12/18/2020

SOLAR INNOVATIONS, INC.  
 31 ROBERTS RD  
 PINE GROVE, PA 17963

SERIES SI3000 FGW 3X8 PANEL INFOLD  
 ALUMINUM REINFORCED - IMPACT - HVHZ  
 HORIZONTAL CROSS SECTIONS

DRAWN: V.L.	DWG NO. 08-01792	REV E
SCALE NTS	DATE 09/19/12	SHEET 10 OF 17

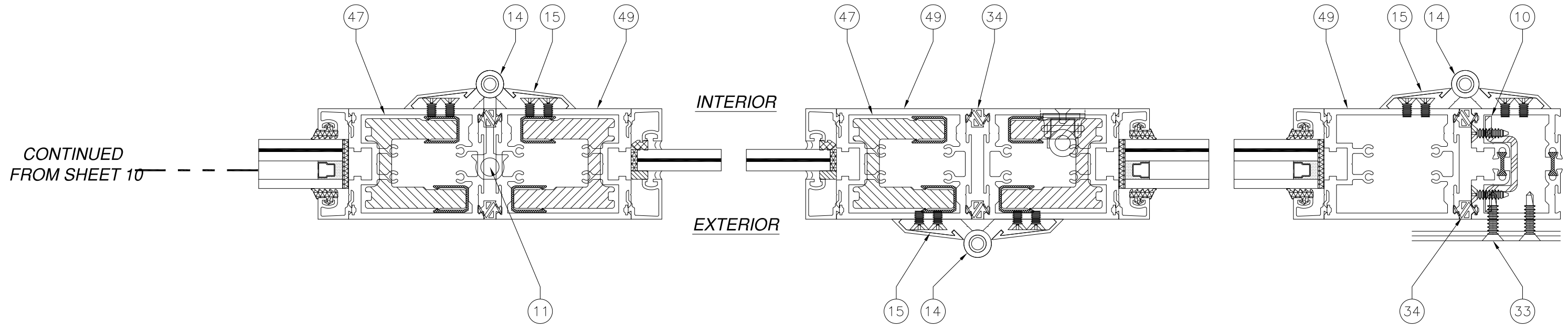
L. ROBERTO LOMAS P.E.  
 1432 WOODFORD RD LEWISVILLE, NC 27023  
 434-688-0609 rllomas@rlomaspe.com



Luis R. Lomas P.E.  
 FL No.: 62514

REVISIONS			
REV	DESCRIPTION	DATE	APPROVED
E	REVISED PER NEW REQUIREMENTS	12/04/2020	R.L.

FOR ILLUSTRATION PURPOSES ONLY  
FOR INSTALLATION DETAILS REFER TO SHEETS 12 -15



$\frac{D}{9}$  HORIZONTAL CROSS SECTION  
WITH NON-THERMAL PANELS

SIGNED: 12/18/2020

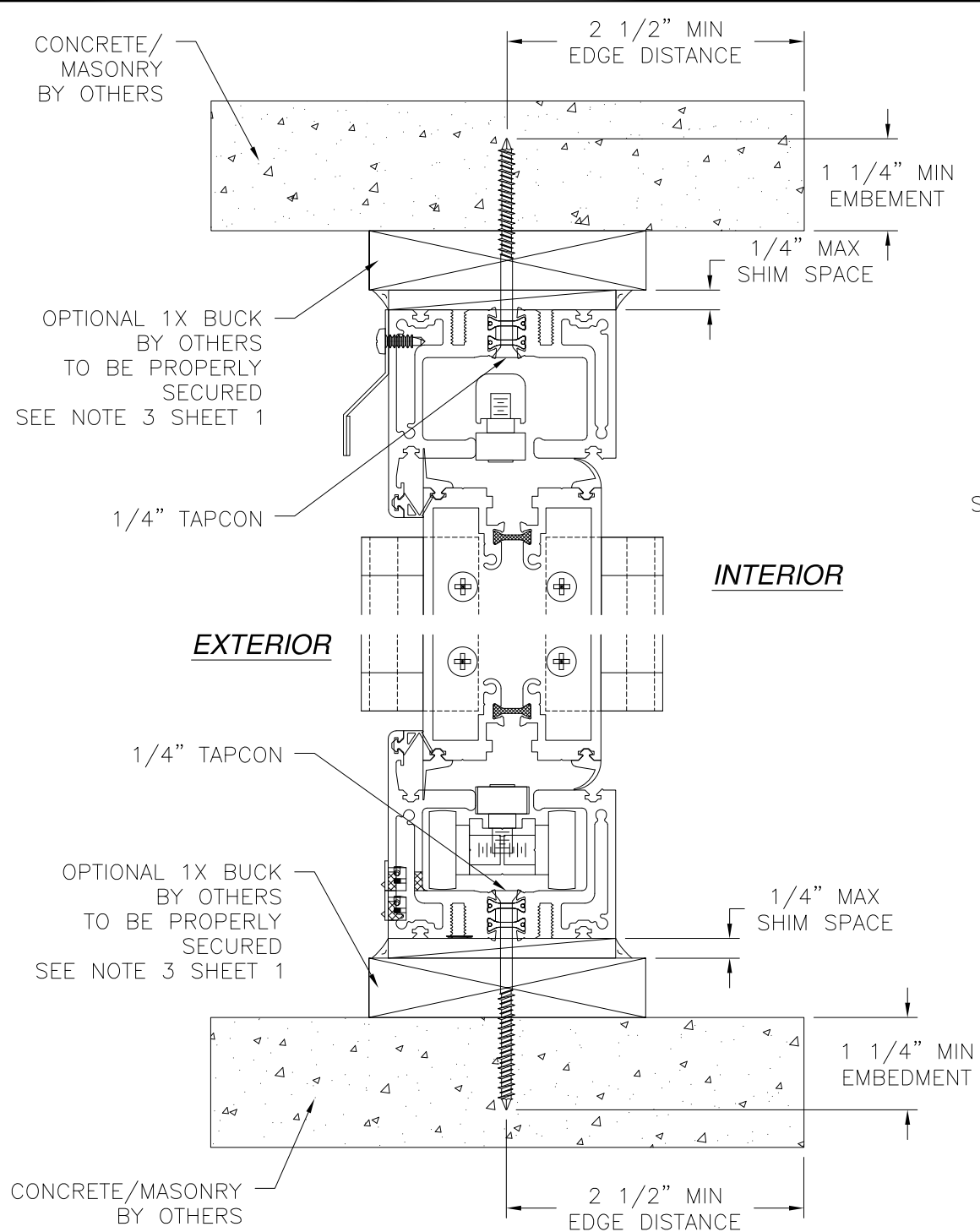
SOLAR INNOVATIONS, INC.  
31 ROBERTS RD  
PINE GROVE, PA 17963

SERIES SI3000 FGW 3X8 PANEL INFOLD  
ALUMINUM REINFORCED - IMPACT - HVHZ  
HORIZONTAL CROSS SECTIONS

DRAWN: V.L.	DWG NO. 08-01792	REV E
SCALE NTS	DATE 09/19/12	SHEET 11 OF 17

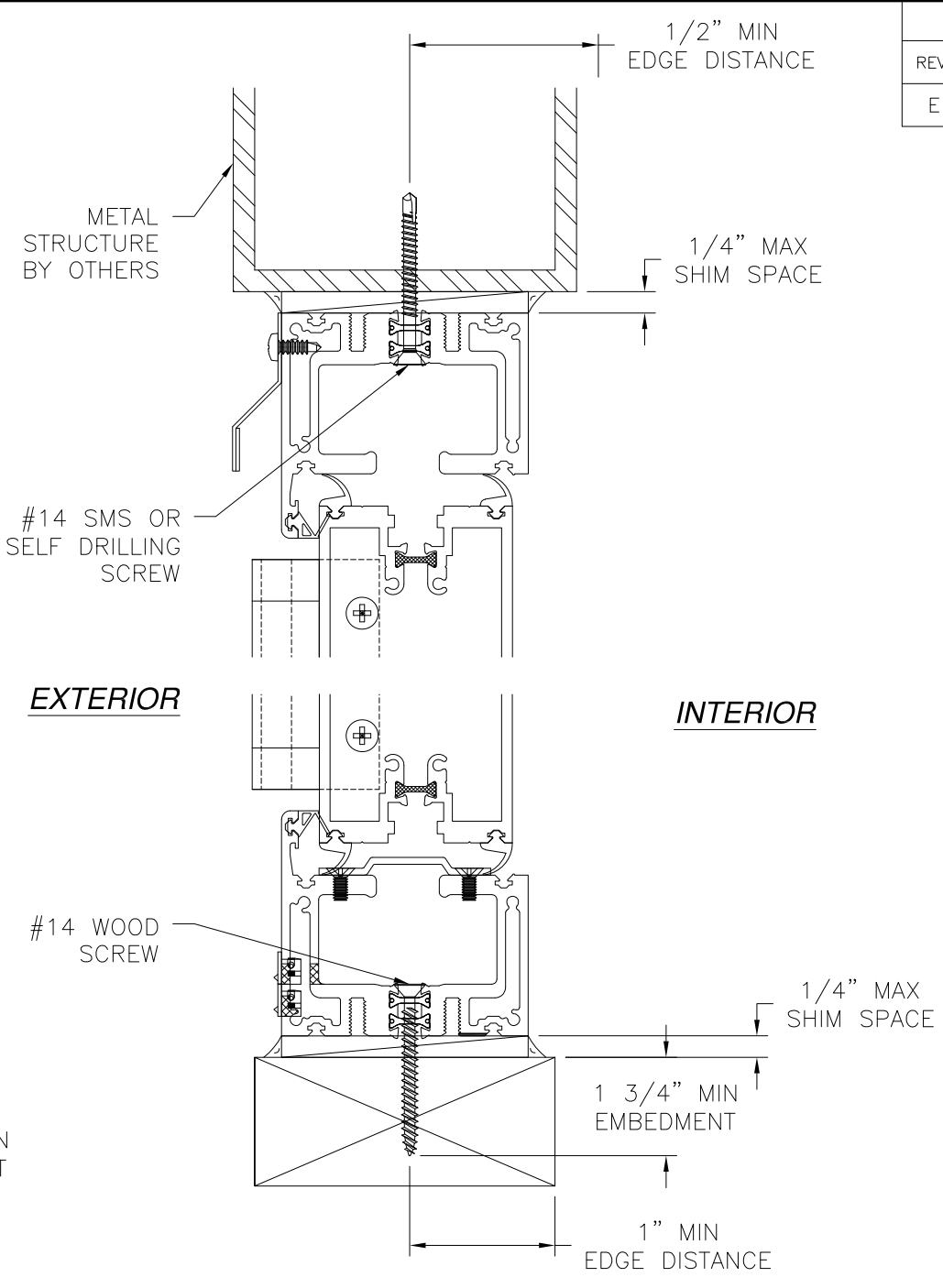
L. ROBERTO LOMAS P.E.  
1432 WOODFORD RD LEWISVILLE, NC 27023  
434-688-0609 rllomas@lrlomaspe.com

Luis R. Lomas P.E.  
FL No.: 62514



**VERTICAL CROSS SECTION**  
 CONCRETE/MASONRY INSTALLATION  
 STANDARD SILL, FLUSH SILL SIMILAR

**NOTES:**  
 1. INTERIOR AND EXTERIOR FINISHES, BY OTHERS, NOT SHOWN FOR CLARITY.  
 2. PERIMETER AND JOINT SEALANT BY OTHERS TO BE DESIGNED IN ACCORDANCE WITH ASTM E2112



**VERTICAL CROSS SECTION**  
 WOOD FRAMING OR 2X BUCK  
 OR METAL STRUCTURE INSTALLATION  
 STANDARD SILL, FLUSH SILL SIMILAR

REVISIONS			
REV	DESCRIPTION	DATE	APPROVED
E	REVISED PER NEW REQUIREMENTS	12/04/2020	R.L.

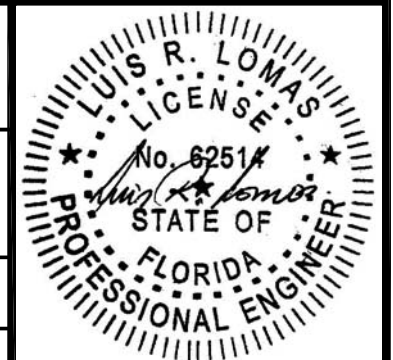
**SOLAR INNOVATIONS, INC.**  
 31 ROBERTS RD  
 PINE GROVE, PA 17963

SERIES SI3000 FGW 3X8 PANEL INFOLD  
 ALUMINUM REINFORCED - IMPACT - HVHZ  
 INSTALLATION DETAILS

DRAWN: V.L.	DWG NO. 08-01792	REV E
SCALE NTS	DATE 09/19/12	SHEET 12 OF 17

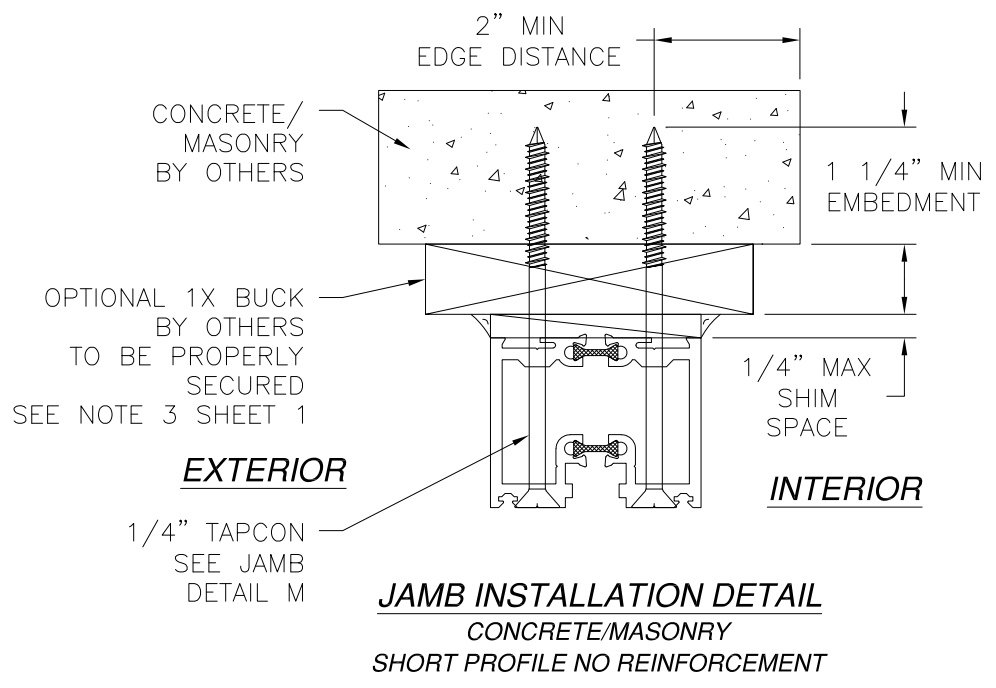
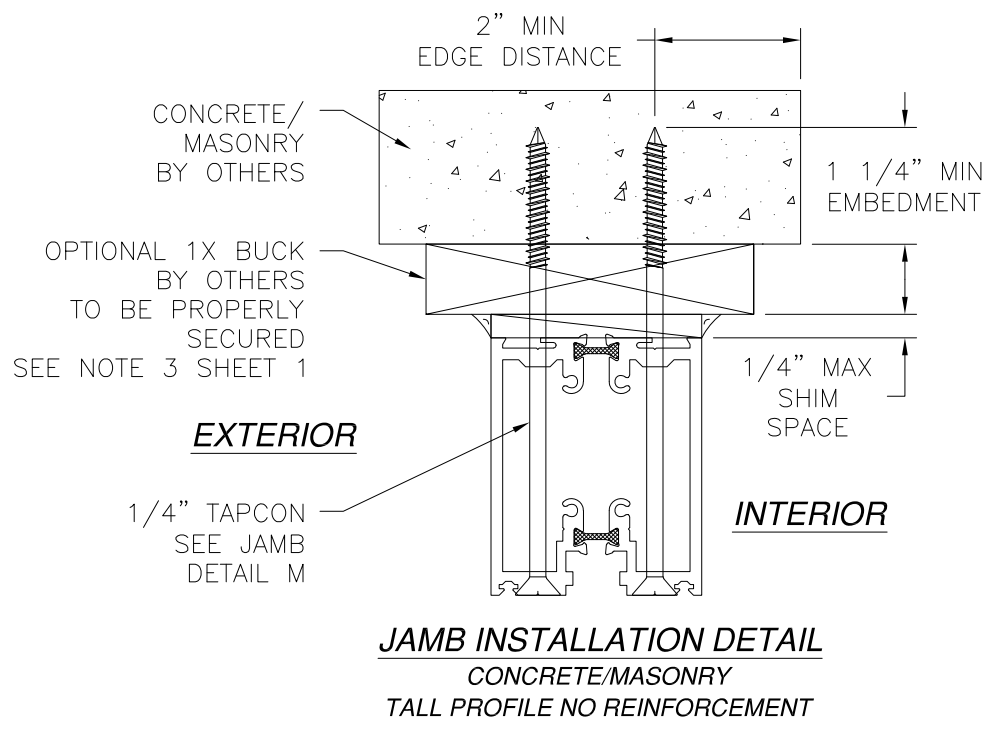
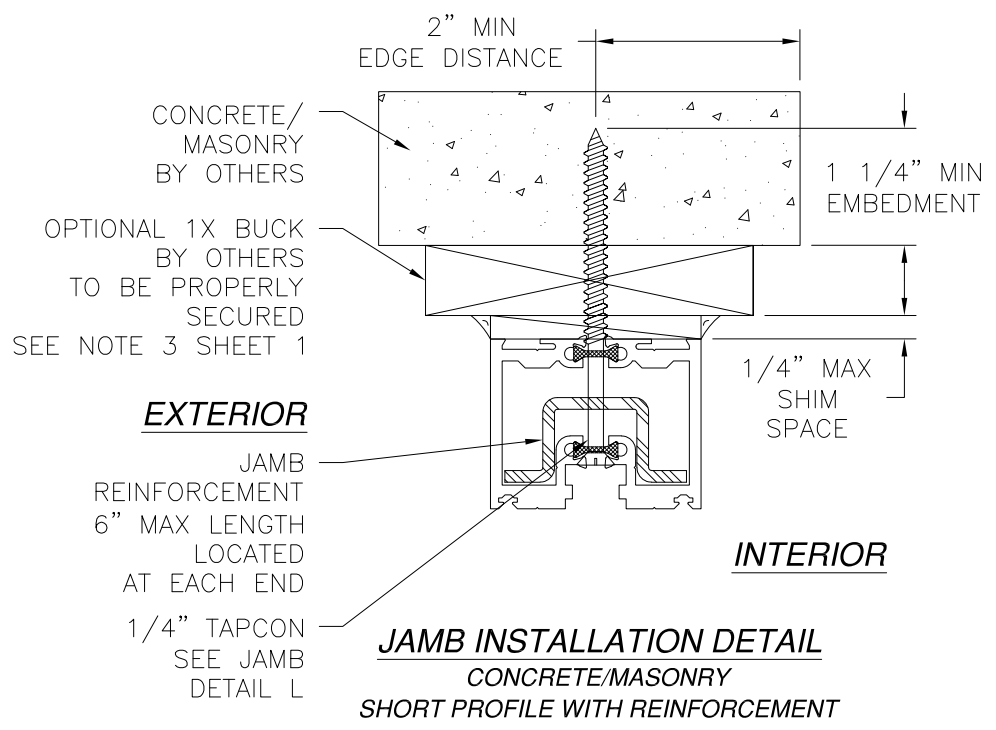
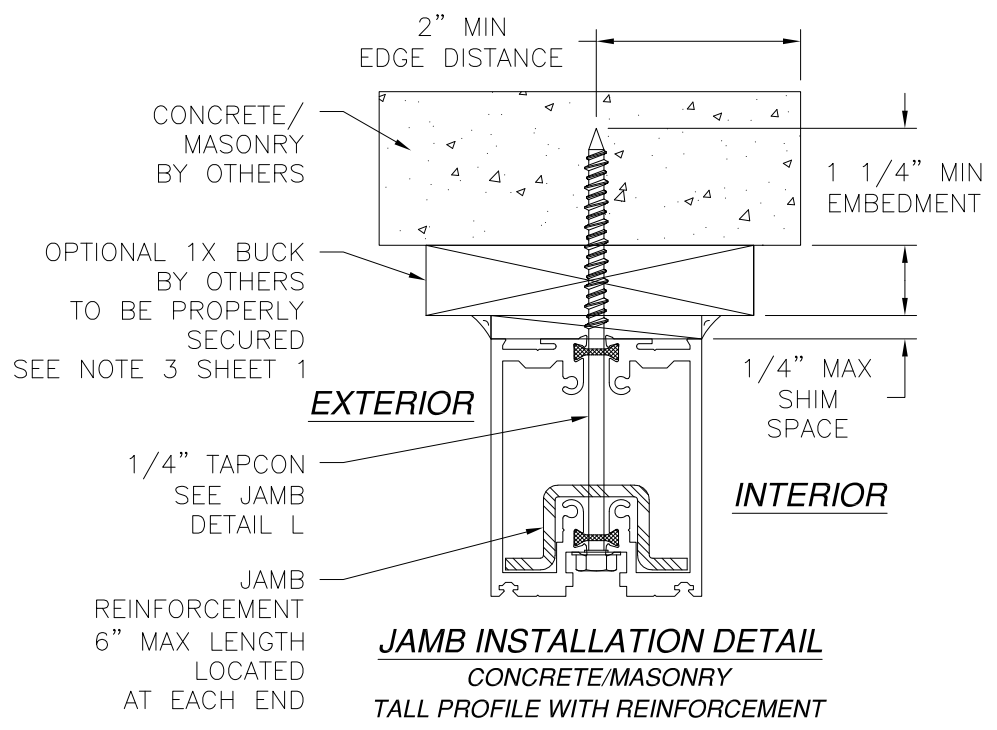
L. ROBERTO LOMAS P.E.  
 1432 WOODFORD RD LEWISVILLE, NC 27023  
 434-688-0609 rllomas@rlomaspe.com

SIGNED: 12/18/2020



Luis R. Lomas P.E.  
 FL No.: 62514

REVISIONS			
REV	DESCRIPTION	DATE	APPROVED
E	REVISED PER NEW REQUIREMENTS	12/04/2020	R.L.



**NOTES:**  
 1. INTERIOR AND EXTERIOR FINISHES, BY OTHERS, NOT SHOWN FOR CLARITY.  
 2. PERIMETER AND JOINT SEALANT BY OTHERS TO BE DESIGNED IN ACCORDANCE WITH ASTM E2112

SOLAR INNOVATIONS, INC.  
 31 ROBERTS RD  
 PINE GROVE, PA 17963

SERIES SI3000 FGW 3X8 PANEL INFOLD  
 ALUMINUM REINFORCED - IMPACT - HVHZ  
 INSTALLATION DETAILS

DRAWN: V.L.	DWG NO. 08-01792	REV E
SCALE NTS	DATE 09/19/12	SHEET 13 OF 17

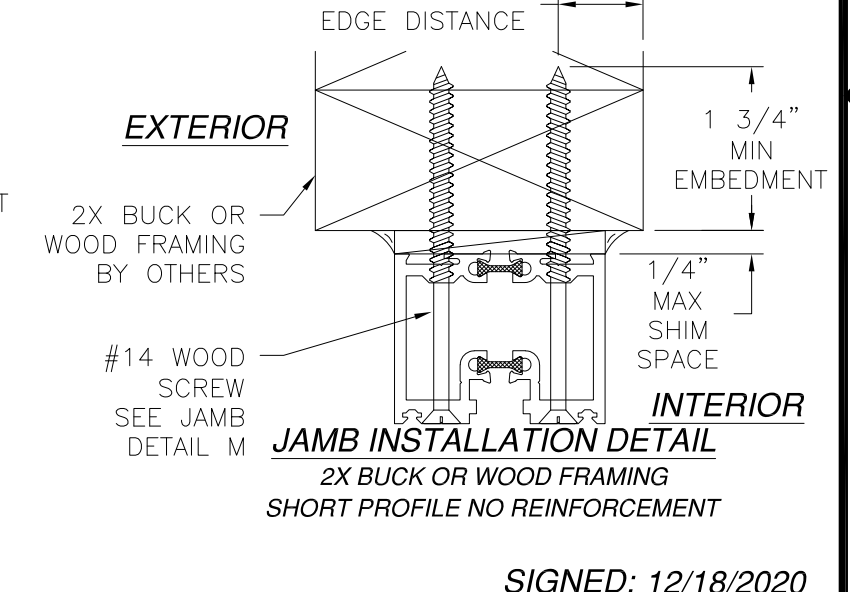
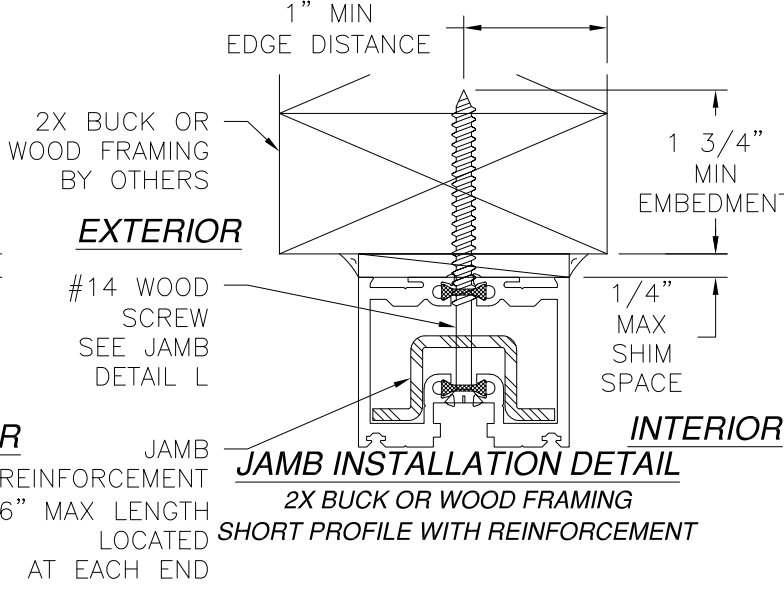
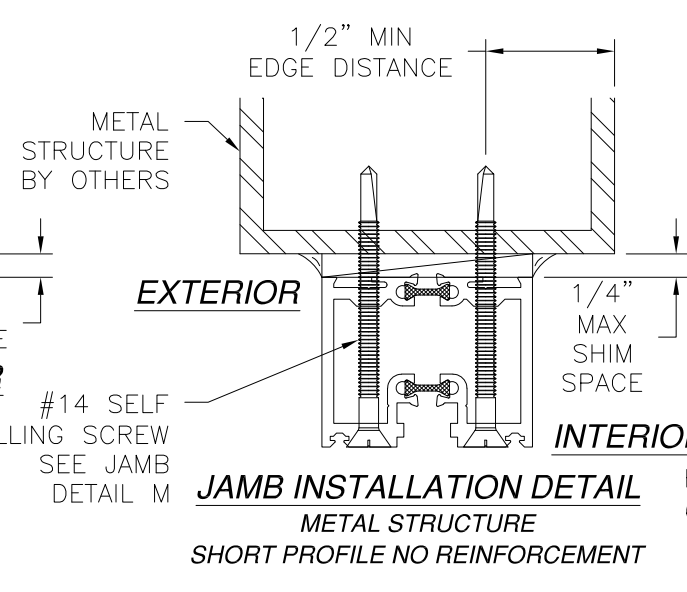
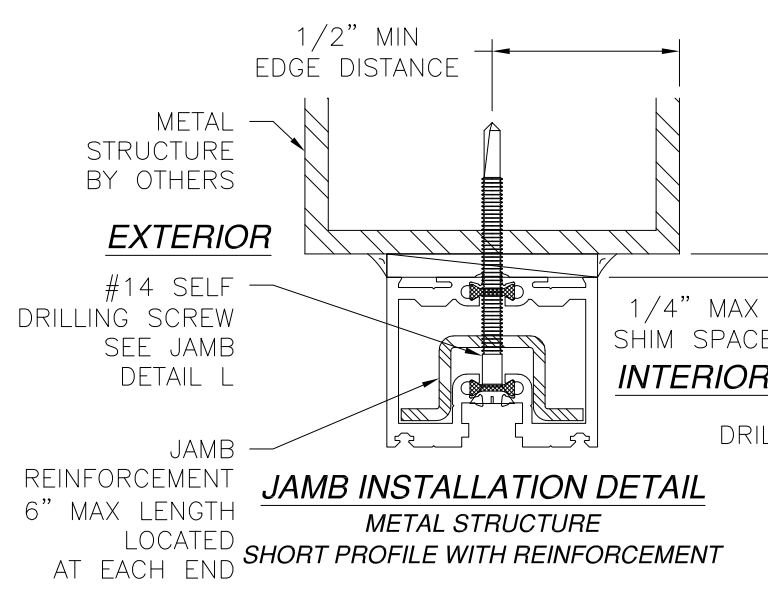
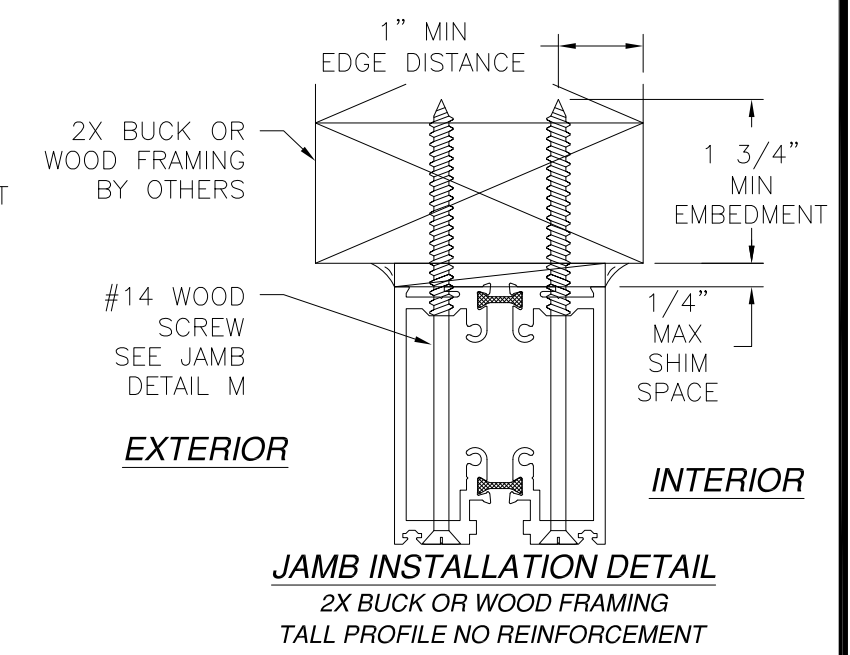
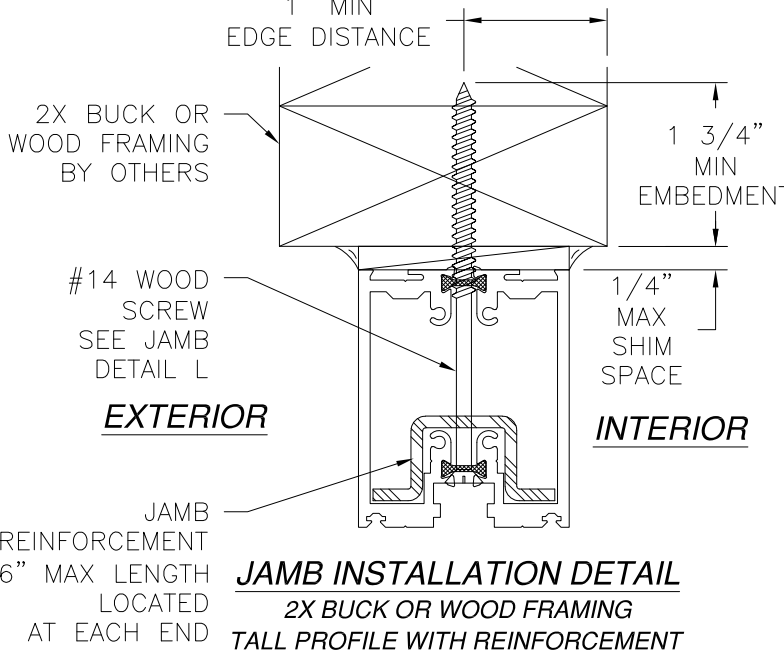
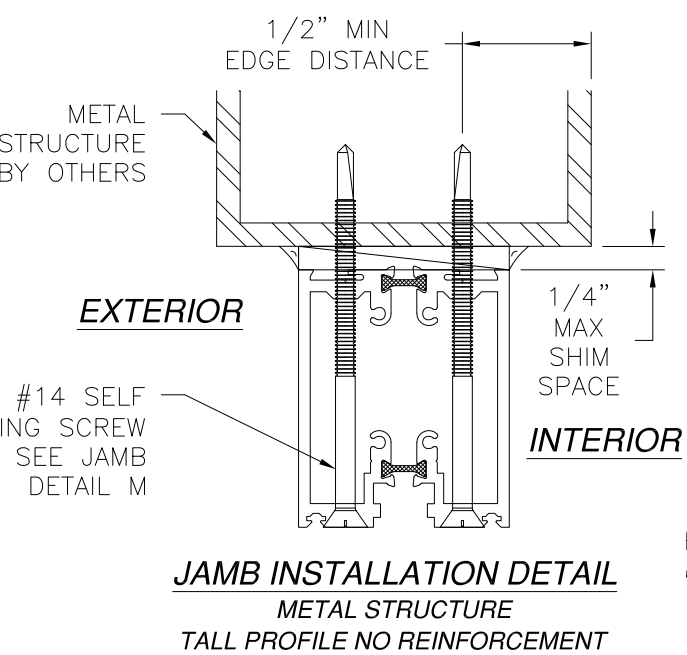
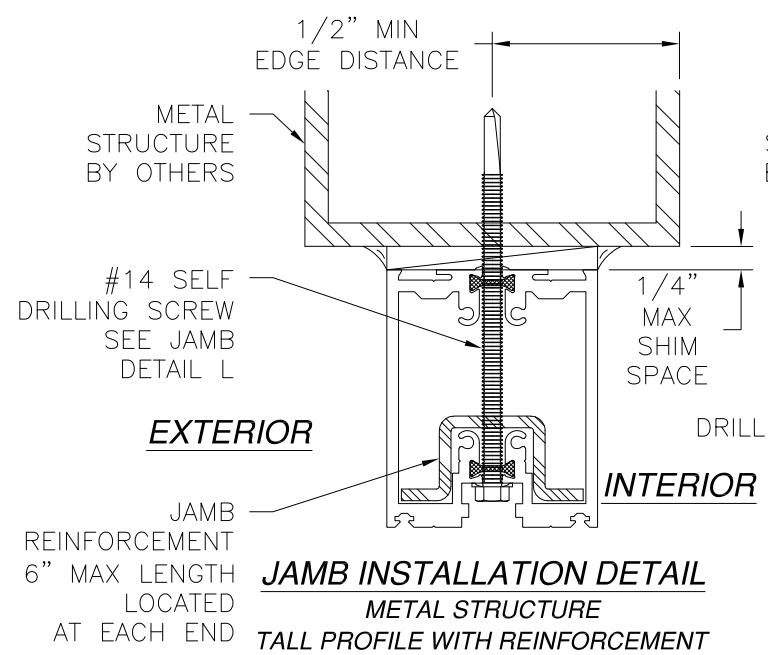
L. ROBERTO LOMAS P.E.  
 1432 WOODFORD RD LEWISVILLE, NC 27023  
 434-688-0609 rllomas@rlomaspe.com

SIGNED: 12/18/2020



Luis R. Lomas P.E.  
 FL No.: 62514

REVISIONS			
REV	DESCRIPTION	DATE	APPROVED
E	REVISED PER NEW REQUIREMENTS	12/04/2020	R.L.



SIGNED: 12/18/2020

**NOTES:**  
1. INTERIOR AND EXTERIOR FINISHES, BY OTHERS, NOT SHOWN FOR CLARITY.  
2. PERIMETER AND JOINT SEALANT BY OTHERS TO BE DESIGNED IN ACCORDANCE WITH ASTM E2112

SOLAR INNOVATIONS, INC.  
31 ROBERTS RD  
PINE GROVE, PA 17963

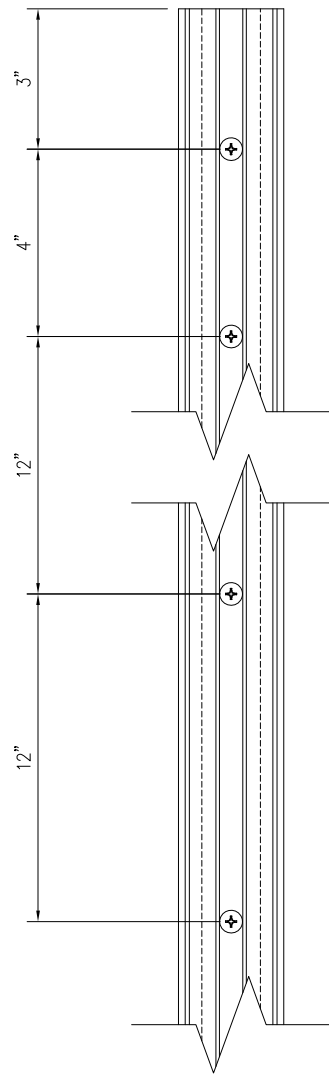
SERIES SI3000 FGW 3X8 PANEL INFOLD  
ALUMINUM REINFORCED - IMPACT - HVHZ  
INSTALLATION DETAILS

DRAWN: V.L.	DWG NO. 08-01792	REV E
SCALE NTS	DATE 09/19/12	SHEET 14 OF 17

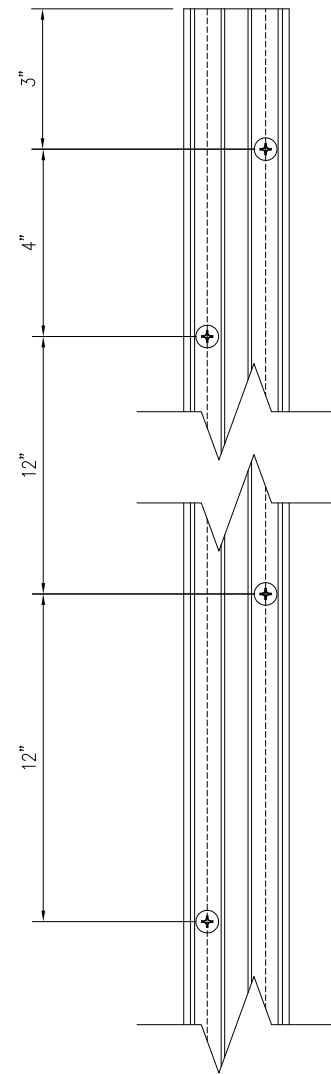
L. ROBERTO LOMAS P.E.  
1432 WOODFORD RD LEWISVILLE, NC 27023  
434-688-0609 rllomas@rlomaspe.com

Luis R. Lomas P.E.  
FL No.: 62514

REVISIONS			
REV	DESCRIPTION	DATE	APPROVED
E	REVISED PER NEW REQUIREMENTS	12/04/2020	R.L.



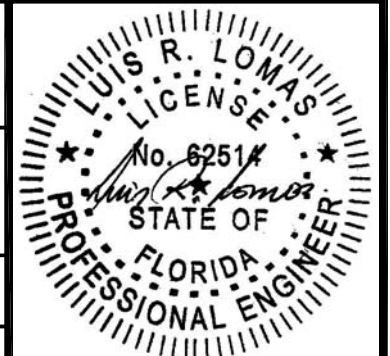
**JAMB INSTALLATION DETAIL L**  
JAMB WITH REINFORCEMENT



**JAMB INSTALLATION DETAIL M**  
JAMB WITHOUT REINFORCEMENT

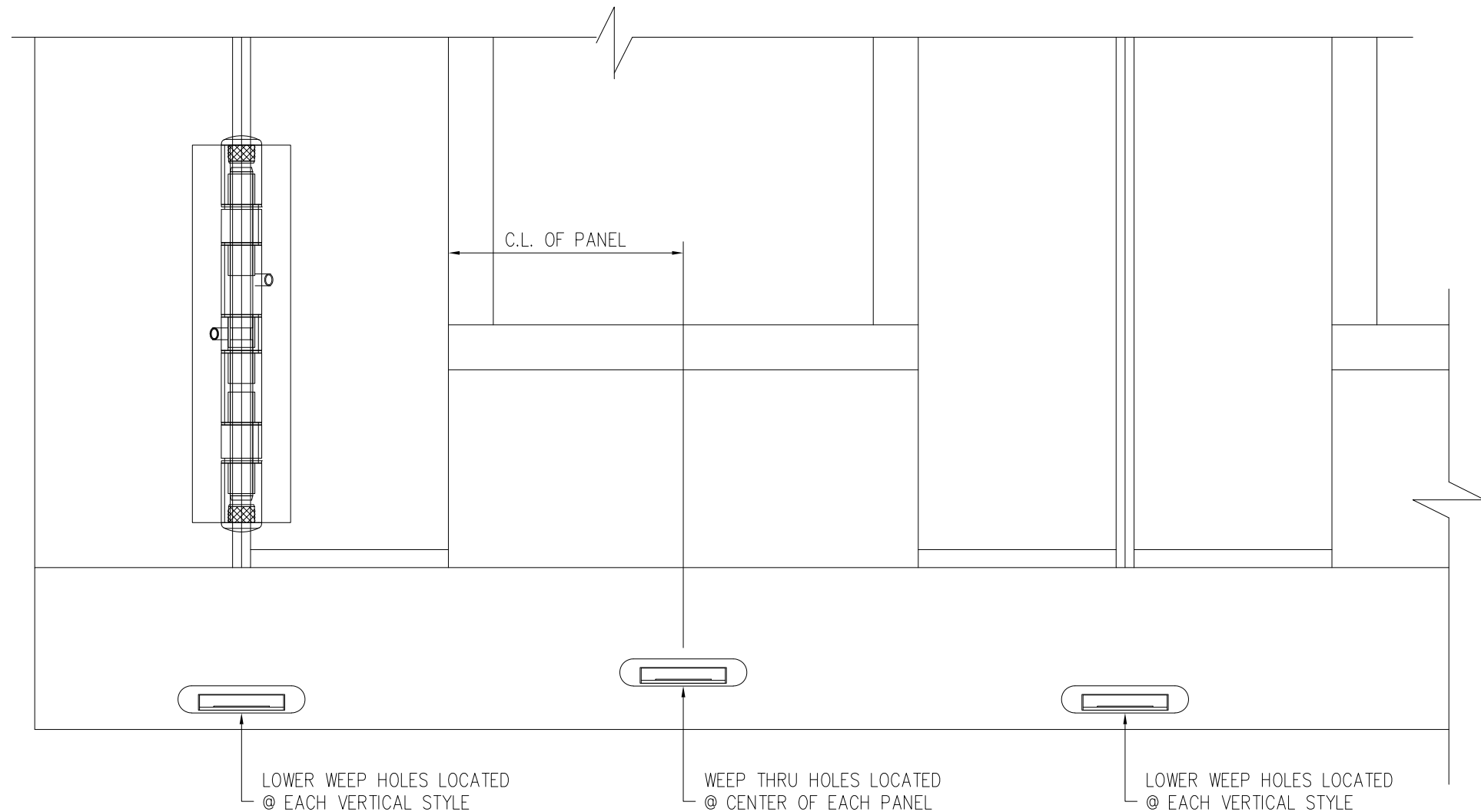
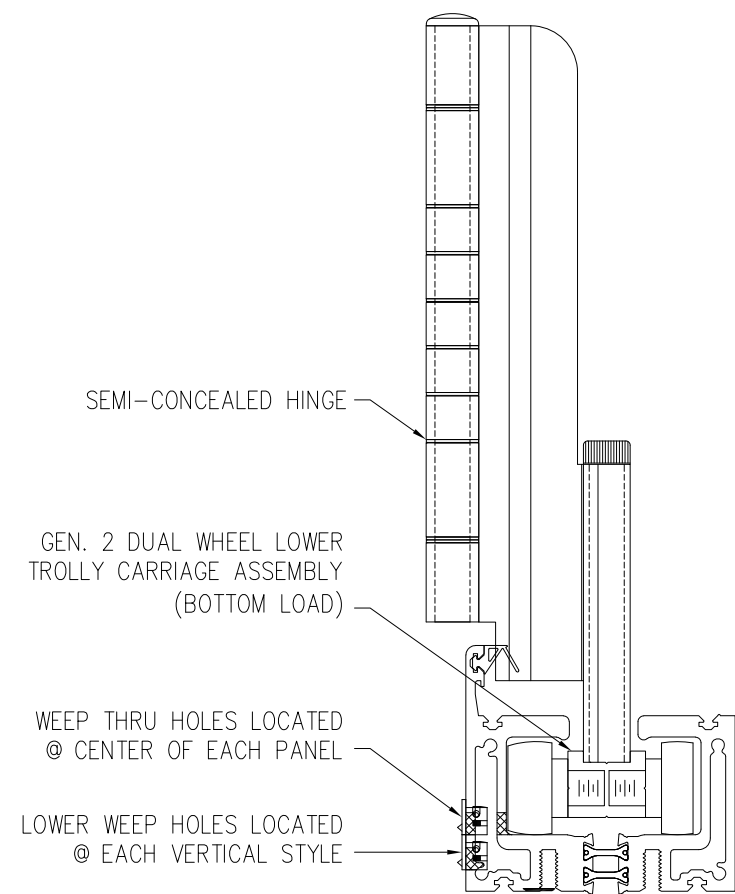
SIGNED: 12/18/2020

SOLAR INNOVATIONS, INC. 31 ROBERTS RD PINE GROVE, PA 17963		
SERIES SI3000 FGW 3X8 PANEL INFOLD ALUMINUM REINFORCED - IMPACT - HVHZ INSTALLATION DETAILS		
DRAWN: V.L.	DWG NO. 08-01792	REV E
SCALE NTS	DATE 09/19/12	SHEET 15 OF 17
L. ROBERTO LOMAS P.E. 1432 WOODFORD RD LEWISVILLE, NC 27023 434-688-0609 rllomas@lrlomaspe.com		



Luis R. Lomas P.E.  
FL No.: 62514

REVISIONS			
REV	DESCRIPTION	DATE	APPROVED
E	REVISED PER NEW REQUIREMENTS	12/04/2020	R.L.



WEEP LOCATIONS

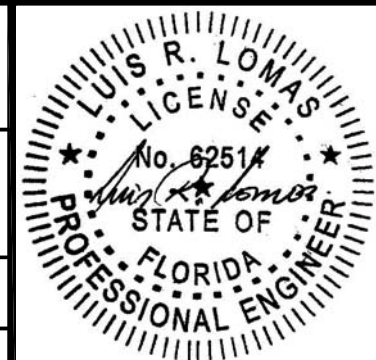
SIGNED: 12/18/2020

SOLAR INNOVATIONS, INC.  
 31 ROBERTS RD  
 PINE GROVE, PA 17963

SERIES SI3000 FGW 3X8 PANEL INFOLD  
 ALUMINUM REINFORCED - IMPACT - HVHZ  
 WEEP LOCATIONS

DRAWN: V.L.	DWG NO. 08-01792	REV E
SCALE NTS	DATE 09/19/12	SHEET 16 OF 17

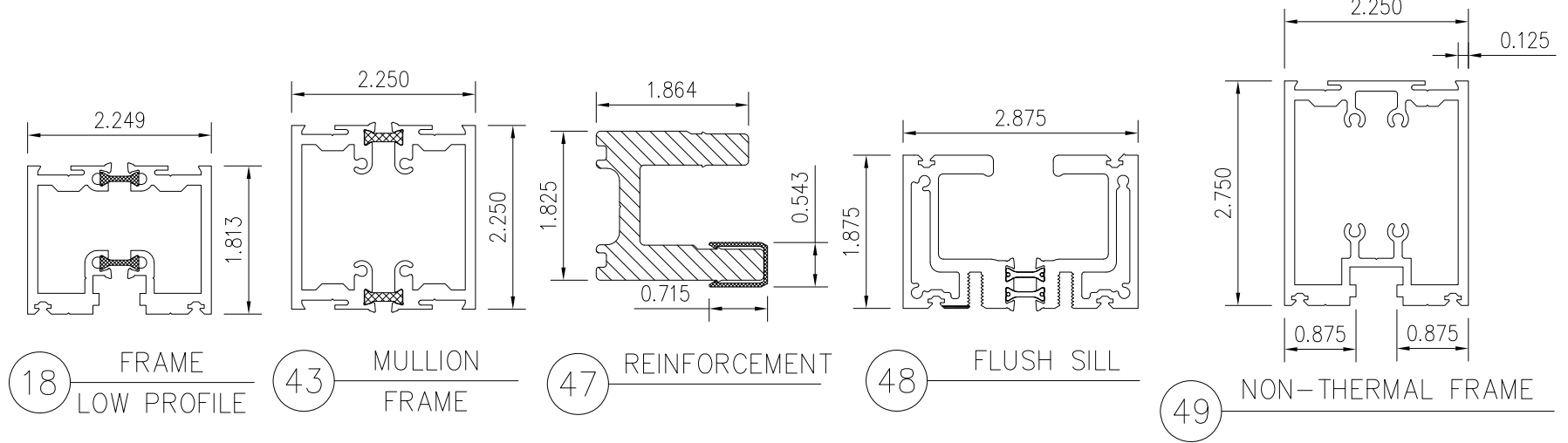
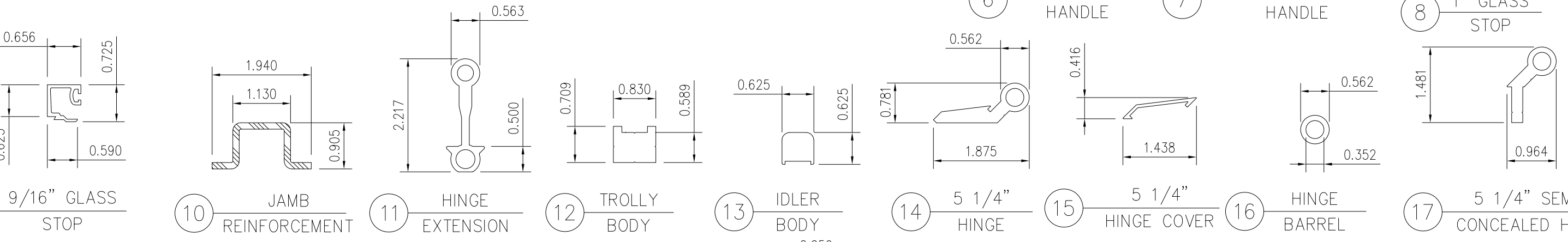
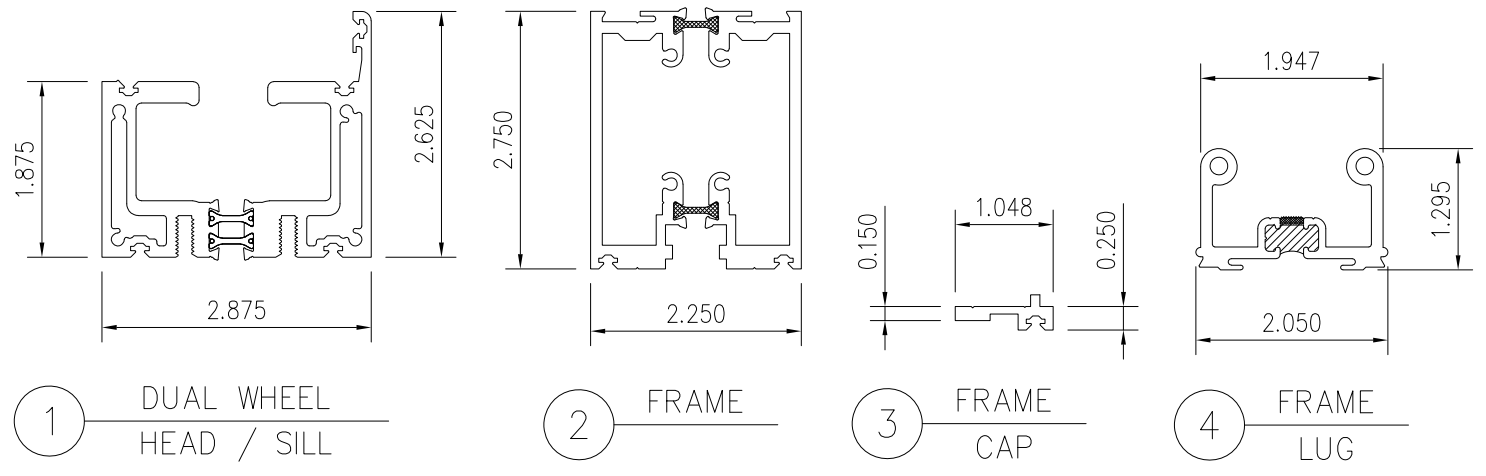
L. ROBERTO LOMAS P.E.  
 1432 WOODFORD RD LEWISVILLE, NC 27023  
 434-688-0609 rllomas@lrlomaspe.com



Luis R. Lomas P.E.  
 FL No.: 62514



REVISIONS			
REV	DESCRIPTION	DATE	APPROVED
E	REVISED PER NEW REQUIREMENTS	12/04/2020	R.L.



**SOLAR INNOVATIONS, INC.**  
 31 ROBERTS RD  
 PINE GROVE, PA 17963

---

SERIES SI3000 FGW 3X8 PANEL INFOLD  
 ALUMINUM REINFORCED - IMPACT - HVHZ  
 COMPONENTS

DRAWN: V.L.	DWG NO. 08-01792	REV E
SCALE NTS	DATE 09/19/12	SHEET 17 OF 17

L. ROBERTO LOMAS P.E.  
 1432 WOODFORD RD LEWISVILLE, NC 27023  
 434-688-0609 rllomas@rlomaspe.com

SIGNED: 12/18/2020



Luis R. Lomas P.E.  
 FL No.: 62514