

REVISIONS			
REV	DESCRIPTION	DATE	APPROVED
E	REVISED PER NEW REQUIREMENTS	12/14/2020	R.L.

NOTES:

1. THE PRODUCT SHOWN HEREIN IS DESIGNED AND MANUFACTURED TO COMPLY WITH REQUIREMENTS OF THE FLORIDA BUILDING CODE INCLUDING THE HVHZ.
2. WOOD FRAMING AND MASONRY OPENING TO BE DESIGNED AND ANCHORED TO PROPERLY TRANSFER ALL LOADS TO STRUCTURE. FRAMING AND MASONRY OPENING IS THE RESPONSIBILITY OF THE ARCHITECT OR ENGINEER OF RECORD.
3. 1X BUCK OVER MASONRY/CONCRETE IS OPTIONAL. WHERE 1X BUCK IS NOT USED DISSIMILAR MATERIALS MUST BE SEPARATED WITH APPROVED COATING OR MEMBRANE. SELECTION OF COATING OR MEMBRANE IS THE RESPONSIBILITY OF THE ARCHITECT OR ENGINEER OF RECORD.
4. ALLOWABLE STRESS INCREASE OF 1/3 WAS NOT USED IN THE DESIGN OF THE PRODUCT SHOWN HEREIN. WIND LOAD DURATION FACTOR $C_d=1.6$ WAS USED FOR WOOD ANCHOR CALCULATIONS.
5. FRAME MATERIAL: ALUMINUM 6063-T6, 6063-T5 AND 6005A-T5.
6. UNITS MUST BE GLAZED PER ASTM E1300, SEE SHEET 8 FOR GLASS DETAILS
7. APPROVED IMPACT PROTECTIVE SYSTEM IS NOT REQUIRED FOR THIS PRODUCT IN WIND BORNE DEBRIS REGIONS.
8. SHIM AS REQUIRED AT EACH INSTALLATION ANCHOR WITH LOAD BEARING SHIM. SHIM WHERE SPACE OF 1/16" OR GREATER OCCURS. MAXIMUM ALLOWABLE SHIM STACK TO BE 1/4".
9. FOR ANCHORING INTO WOOD FRAMING OR 2X BUCK USE #14 WOOD SCREWS WITH SUFFICIENT LENGTH TO ACHIEVE A 1 3/4" MINIMUM EMBEDMENT INTO SUBSTRATE. LOCATE ANCHORS AS SHOWN IN ELEVATIONS AND INSTALLATION DETAILS.
10. FOR ANCHORING INTO MASONRY/CONCRETE USE 1/4" TAPCONS WITH SUFFICIENT LENGTH TO ACHIEVE A 1 1/4" MINIMUM EMBEDMENT INTO SUBSTRATE WITH 2" MINIMUM EDGE DISTANCE. LOCATE ANCHORS AS SHOWN IN ELEVATIONS AND INSTALLATION DETAILS.
11. FOR ANCHORING INTO METAL STRUCTURE USE #14 SMS OR SELF DRILLING SCREWS WITH SUFFICIENT LENGTH TO ACHIEVE 3 THREADS MINIMUM BEYOND STRUCTURE INTERIOR WALL. LOCATE ANCHORS AS SHOWN IN ELEVATIONS AND INSTALLATION DETAILS.
12. ALL FASTENERS TO BE CORROSION RESISTANT.
13. INSTALLATION ANCHORS SHALL BE INSTALLED IN ACCORDANCE WITH ANCHOR MANUFACTURER'S INSTALLATION INSTRUCTIONS AND ANCHORS SHALL NOT BE USED IN SUBSTRATES WITH STRENGTHS LESS THAN THE MINIMUM STRENGTH SPECIFIED BELOW:
 - A. WOOD – MINIMUM SPECIFIC GRAVITY OF $G=0.42$
 - B. CONCRETE – MINIMUM COMPRESSIVE STRENGTH OF 3,000 PSI.
 - C. MASONRY – STRENGTH CONFORMANCE TO ASTM C-90, GRADE N, TYPE 1 (OR GREATER).
 - D. METAL STRUCTURE: STEEL 18GA, 33KSI OR ALUMINUM 6063-T5 .125" THICK MINIMUM

TABLE OF CONTENTS	
SHEET NO.	DESCRIPTION
1	NOTES
2 – 3	ELEVATIONS
4	ANCHORING LAYOUT AND DESIGN PRESSURE CHARTS
5	B.O.M.
6 – 12	CROSS SECTIONS
13 – 16	INSTALLATION DETAILS
17	WEEP DETAILS
18	COMPONENTS

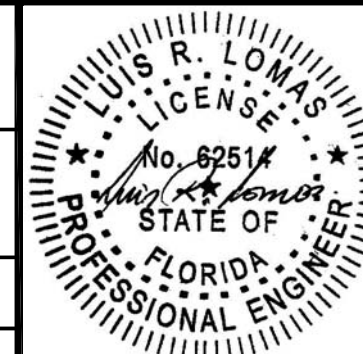
SOLAR INNOVATIONS, INC.
31 ROBERTS RD
PINE GROVE, PA 17963

SERIES SI3000 FGW 3X8 PANEL OUTFOLD
ALUMINUM REINFORCED – IMPACT – HVHZ
NOTES

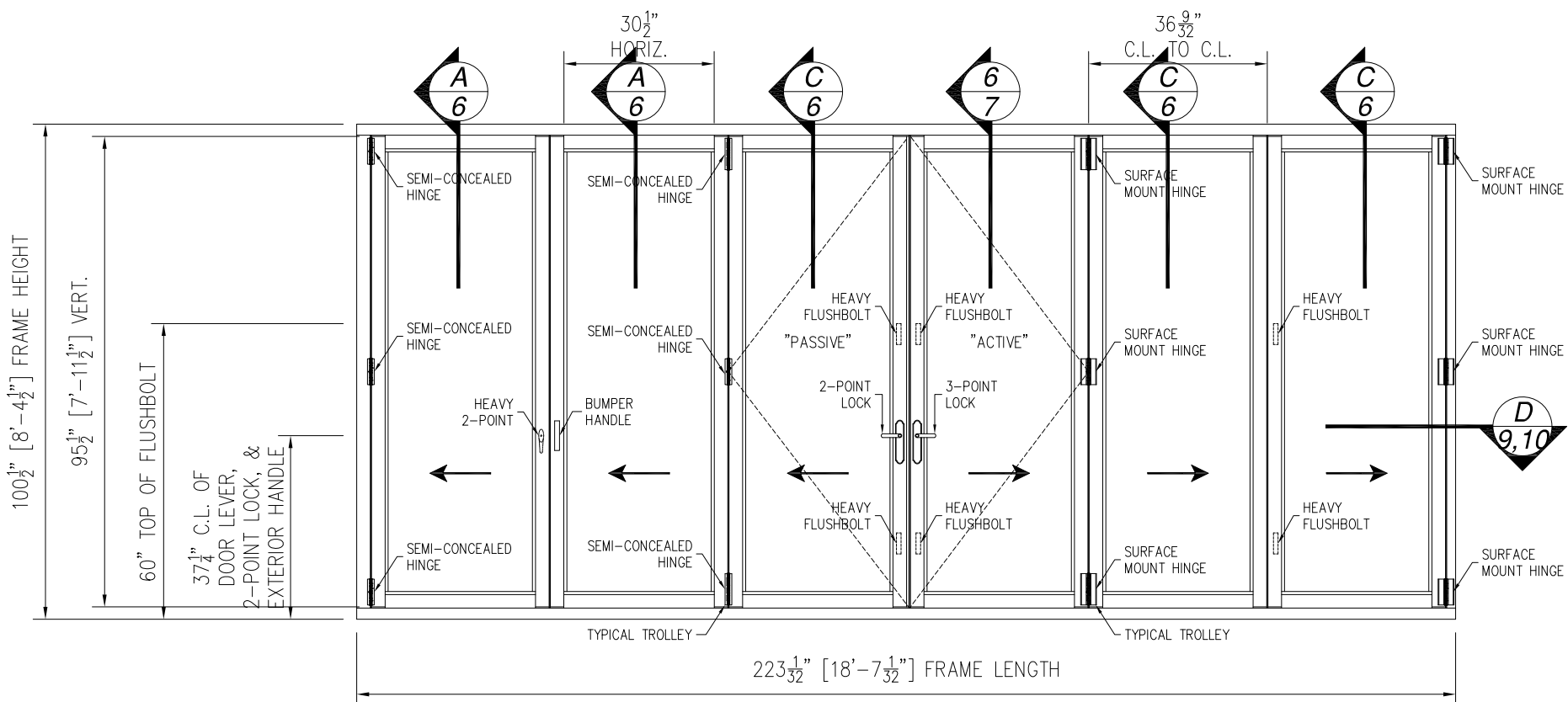
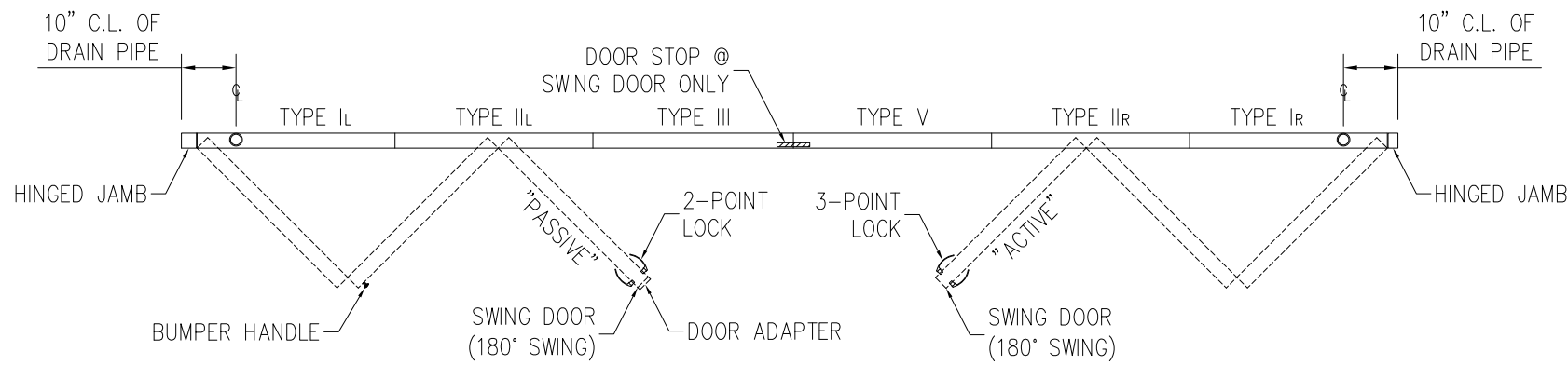
DRAWN: R.L.	DWG NO. 08-01793	REV E
SCALE NTS	DATE 09/19/12	SHEET 1 OF 18

L. ROBERTO LOMAS P.E.
1432 WOODFORD RD LEWISVILLE, NC 27023
434-688-0609 rllomas@lrlomaspe.com

SIGNED: 12/18/2020



Luis R. Lomas P.E.
FL No.: 62514



SERIES SI3000 FGW 3X8 PANEL OUTFOLD FGW
EXTERIOR VIEW

UNLIMITED NUMBER OF PANELS IN UNLIMITED CONFIGURATION ARE APPROVED
AS LONG AS INDIVIDUAL PANEL AREA DOES NOT EXCEED 24.06 FT² AND USES VERTICAL CONDITIONS AS SHOWN.

REVISIONS			
REV	DESCRIPTION	DATE	APPROVED
E	REVISED PER NEW REQUIREMENTS	12/14/2020	R.L.

DESIGN PRESSURE RATING	IMPACT RATING
+60.0/-80.0PSF	LARGE AND SMALL MISSILE IMPACT

MISSILE LEVEL D, WIND ZONE 4, AND HVHZ
WHERE WATER RESISTANCE IS REQUIRED, SEE CHART #1 SHEET 4

DESIGN PRESSURE RATING	IMPACT RATING
±80.0PSF	LARGE AND SMALL MISSILE IMPACT

MISSILE LEVEL D, WIND ZONE 4, AND HVHZ
WHERE WATER RESISTANCE IS NOT REQUIRED, SEE CHART #2 SHEET 4

DESIGN PRESSURE RATING	IMPACT RATING
+60.0/-65.0PSF	LARGE AND SMALL MISSILE IMPACT

MISSILE LEVEL D, WIND ZONE 4, AND HVHZ
WITH PANIC BAR OPTION, SEE CHART #3 SHEET 4

DESIGN PRESSURE RATING	IMPACT RATING
+60.0/-70.0PSF	LARGE AND SMALL MISSILE IMPACT

MISSILE LEVEL D, WIND ZONE 4, AND HVHZ
WITH FLUSH SILL, SEE CHART #4 SHEET 4

DESIGN PRESSURE RATING	IMPACT RATING
+60.0/-70.0PSF	LARGE AND SMALL MISSILE IMPACT

MISSILE LEVEL D, WIND ZONE 4, AND HVHZ
WITH NON-THERMAL PANEL, SEE CHART #4 SHEET 4

SIGNED: 12/18/2020

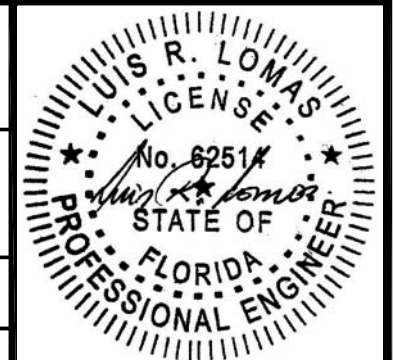
HARDWARE SCHEDULE	
A.	SEMI-CONCEALED HINGE BY SOLAR INNOVATIONS
B.	2 POINT HANDLE & LOCK MS000487-XX BY SOLAR INNOVATIONS
C.	3 POINT HANDLE & LOCK BY SOLAR INNOVATIONS
D.	HEAVY FLUSH BOLTS MD000442-00-XX BY SOLAR INNOVATIONS
E.	SURFACE MOUNT HINGE BY SOLAR INNOVATIONS
F.	PANIC BAR BY SOLAR INNOVATIONS (OPTIONAL)

SOLAR INNOVATIONS, INC.
31 ROBERTS RD
PINE GROVE, PA 17963

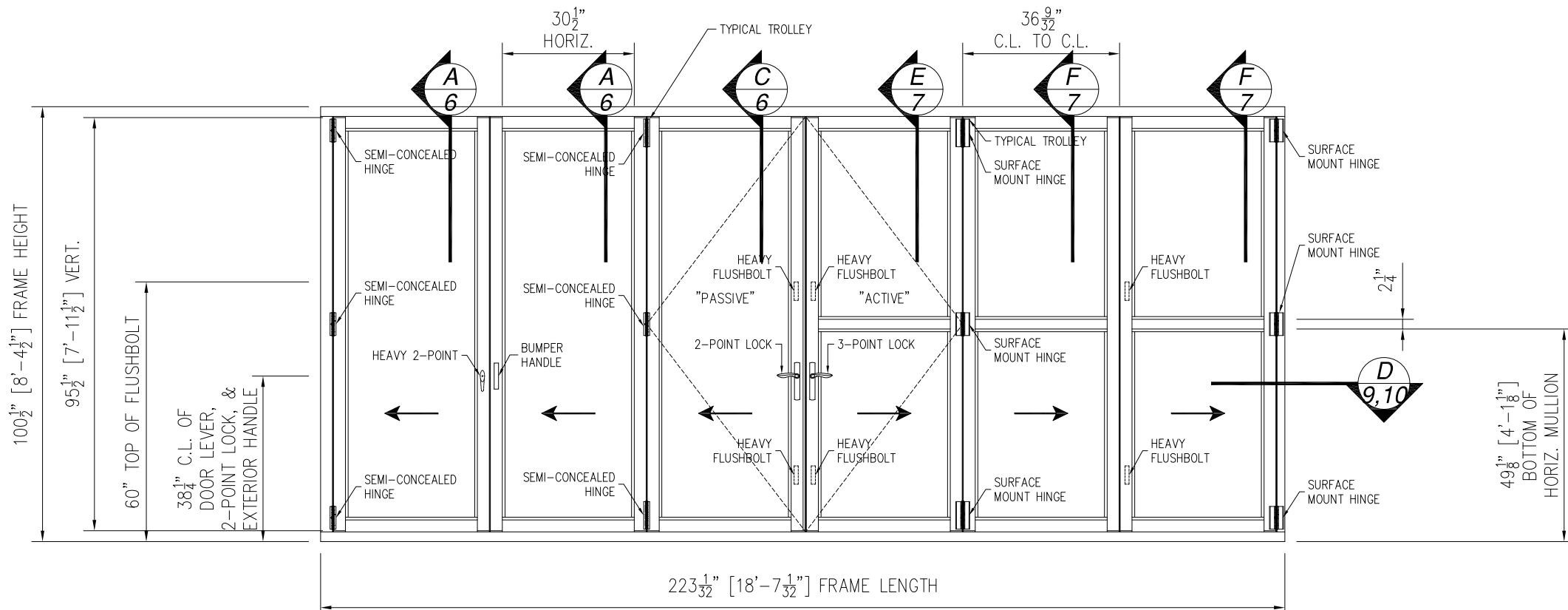
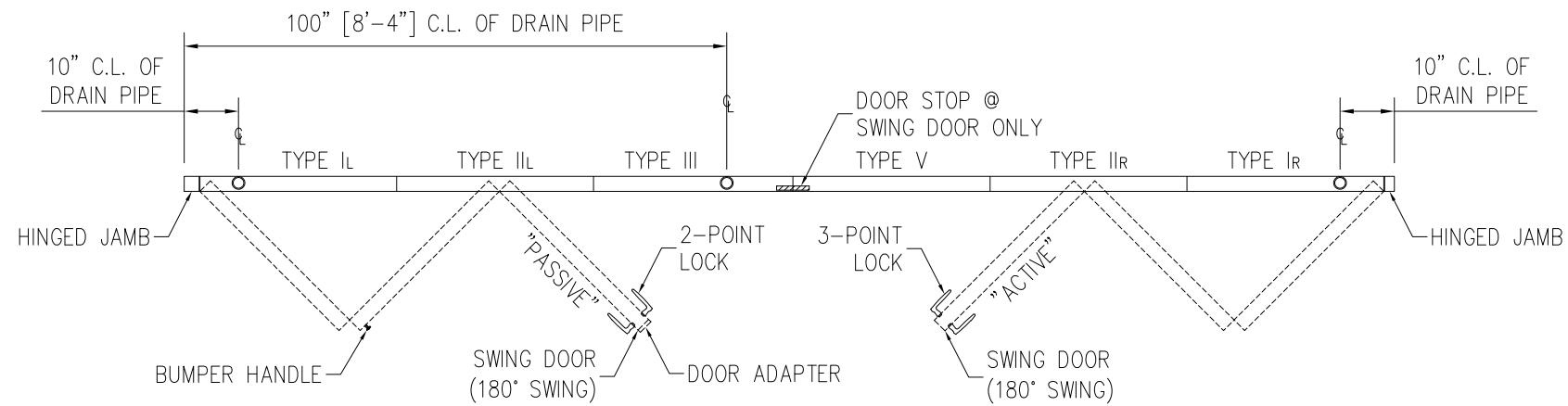
SERIES SI3000 FGW 3X8 PANEL OUTFOLD
ALUMINUM REINFORCED - IMPACT - HVHZ
ELEVATION

DRAWN: R.L.	DWG NO. 08-01793	REV E
SCALE NTS	DATE 09/19/12	SHEET 2 OF 18

L. ROBERTO LOMAS P.E.
1432 WOODFORD RD LEWISVILLE, NC 27023
434-688-0609 rllomas@lrlomaspe.com



Luis R. Lomas P.E.
FL No.: 62514



SERIES SI3000 FGW 3X8 PANEL OUTFOLD FGW

EXTERIOR VIEW

UNLIMITED NUMBER OF PANELS IN UNLIMITED CONFIGURATION ARE APPROVED AS LONG AS INDIVIDUAL PANEL AREA DOES NOT EXCEED 24.06 FT² AND USES VERTICAL CONDITIONS AS SHOWN.

REVISIONS			
REV	DESCRIPTION	DATE	APPROVED
E	REVISED PER NEW REQUIREMENTS	12/14/2020	R.L.

DESIGN PRESSURE RATING	IMPACT RATING
+60.0/-80.0PSF	LARGE AND SMALL MISSILE IMPACT

MISSILE LEVEL D, WIND ZONE 4, AND HVHZ WHERE WATER RESISTANCE IS REQUIRED, SEE CHART #1 SHEET 4

DESIGN PRESSURE RATING	IMPACT RATING
±80.0PSF	LARGE AND SMALL MISSILE IMPACT

MISSILE LEVEL D, WIND ZONE 4, AND HVHZ WHERE WATER RESISTANCE IS NOT REQUIRED, SEE CHART #2 SHEET 4

DESIGN PRESSURE RATING	IMPACT RATING
+60.0/-65.0PSF	LARGE AND SMALL MISSILE IMPACT

MISSILE LEVEL D, WIND ZONE 4, AND HVHZ WITH PANIC BAR OPTION, SEE CHART #3 SHEET 4

DESIGN PRESSURE RATING	IMPACT RATING
+60.0/-70.0PSF	LARGE AND SMALL MISSILE IMPACT

MISSILE LEVEL D, WIND ZONE 4, AND HVHZ WITH FLUSH SILL, SEE CHART #4 SHEET 4

DESIGN PRESSURE RATING	IMPACT RATING
+60.0/-70.0PSF	LARGE AND SMALL MISSILE IMPACT

MISSILE LEVEL D, WIND ZONE 4, AND HVHZ WITH NON-THERMAL PANEL, SEE CHART #4 SHEET 4

SIGNED: 12/18/2020

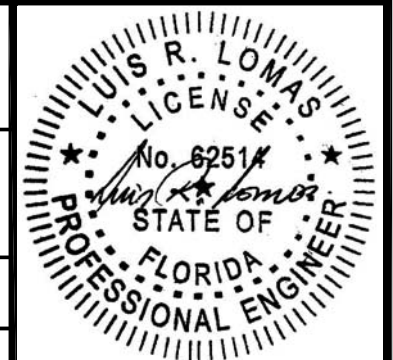
HARDWARE SCHEDULE
A. SEMI-CONCEALED HINGE BY SOLAR INNOVATIONS
B. 2 POINT HANDLE & LOCK MS000487-XX BY SOLAR INNOVATIONS
C. 3 POINT HANDLE & LOCK BY SOLAR INNOVATIONS
D. HEAVY FLUSH BOLTS MD000442-00-XX BY SOLAR INNOVATIONS
E. SURFACE MOUNT HINGE BY SOLAR INNOVATIONS
F. PANIC BAR BY SOLAR INNOVATIONS (OPTIONAL)

SOLAR INNOVATIONS, INC.
 31 ROBERTS RD
 PINE GROVE, PA 17963

SERIES SI3000 FGW 3X8 PANEL OUTFOLD
 ALUMINUM REINFORCED - IMPACT - HVHZ
 ELEVATION

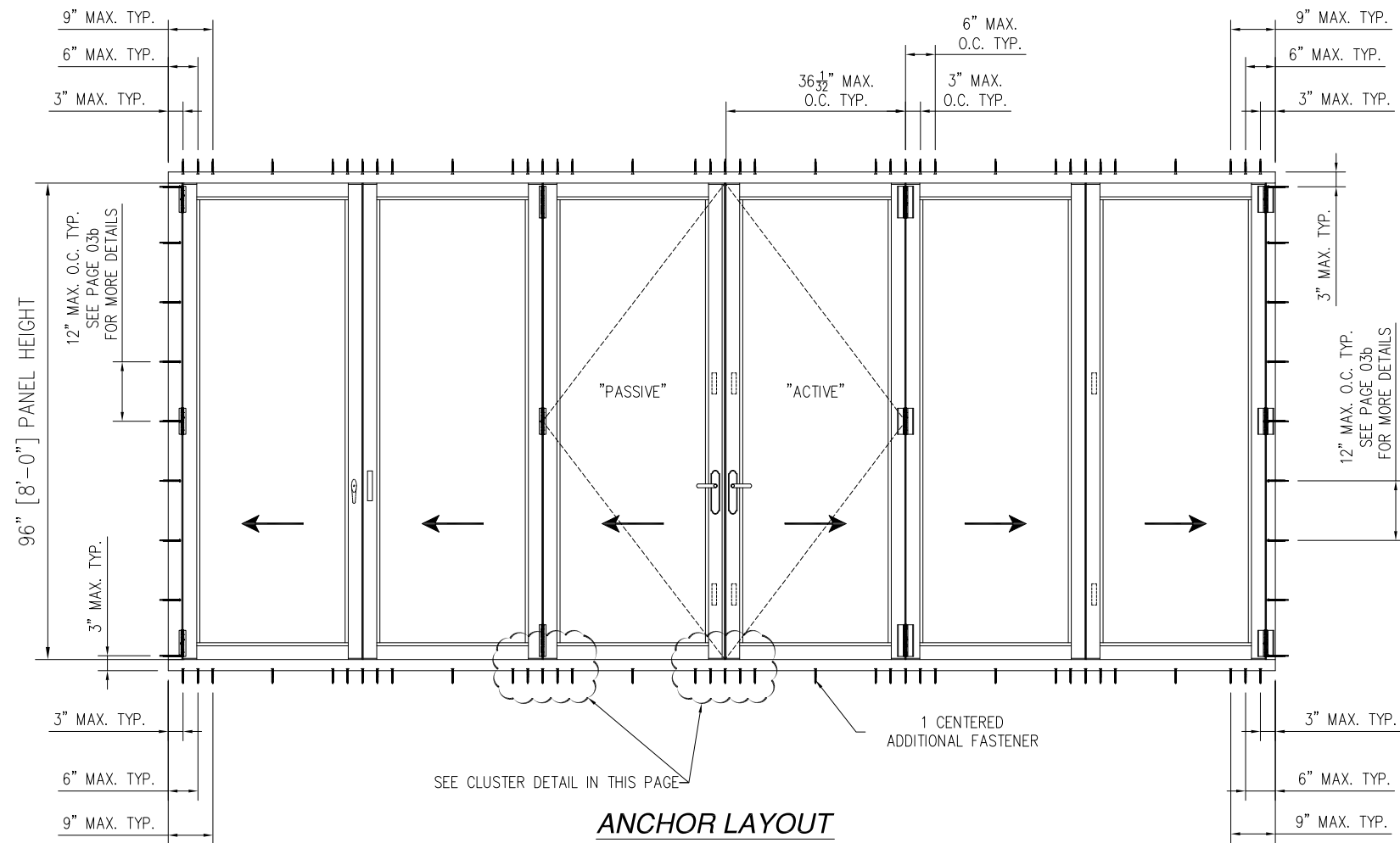
DRAWN: R.L.	DWG NO. 08-01793	REV E
SCALE NTS	DATE 09/19/12	SHEET 3 OF 18

L. ROBERTO LOMAS P.E.
 1432 WOODFORD RD LEWISVILLE, NC 27023
 434-688-0609 rllomas@lrlomaspe.com

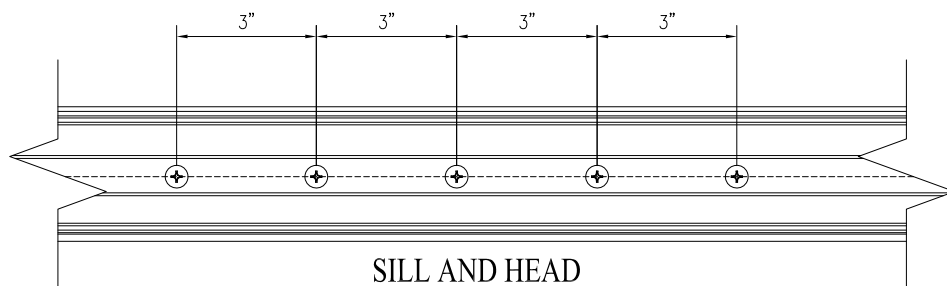


Luis R. Lomas P.E.
 FL No.: 62514

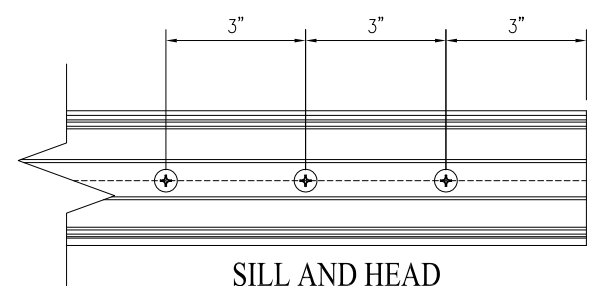
REVISIONS			
REV	DESCRIPTION	DATE	APPROVED
E	REVISED PER NEW REQUIREMENTS	12/14/2020	R.L.



ANCHOR LAYOUT
APPLICABLE TO ALL CONFIGURATIONS.



SILL AND HEAD
CLUSTER DETAIL



SILL AND HEAD
END DETAIL

Chart #1

Panel Height (in)	Maximum Design pressure (psf)									
	Single Panel Width (in)									
	24.0		30.0		36.281		42.0000		44.000	
	Pos	Neg	Pos	Neg	Pos	Neg	Pos	Neg	Pos	Neg
78.0	60.0	80.0	60.0	80.0	60.0	80.0	60.0	80.0	60.0	80.0
84.0	60.0	80.0	60.0	80.0	60.0	80.0	-	-	-	-
90.0	60.0	80.0	60.0	80.0	60.0	80.0	-	-	-	-
95.5	60.0	80.0	60.0	80.0	60.0	80.0	-	-	-	-
96.0	60.0	80.0	60.0	80.0	-	-	-	-	-	-
102.0	60.0	80.0	60.0	77.5	-	-	-	-	-	-
108.0	60.0	80.0	60.0	65.1	-	-	-	-	-	-
114.0	60.0	68.3	55.2	55.2	-	-	-	-	-	-
120.0	58.4	58.4	-	-	-	-	-	-	-	-
126.0	50.4	50.4	-	-	-	-	-	-	-	-
132.0	43.8	43.8	-	-	-	-	-	-	-	-
138.0	38.3	38.3	-	-	-	-	-	-	-	-
144.0	33.6	33.6	-	-	-	-	-	-	-	-

Chart #2

Panel Height (in)	Maximum Design pressure (psf)									
	Single Panel Width (in)									
	24.0		30.0		36.281		42.0000		44.000	
	Pos	Neg	Pos	Neg	Pos	Neg	Pos	Neg	Pos	Neg
78.0	80.0	80.0	80.0	80.0	80.0	80.0	80.0	80.0	80.0	80.0
84.0	80.0	80.0	80.0	80.0	80.0	80.0	-	-	-	-
90.0	80.0	80.0	80.0	80.0	80.0	80.0	-	-	-	-
95.5	80.0	80.0	80.0	80.0	80.0	80.0	-	-	-	-
96.0	80.0	80.0	80.0	80.0	-	-	-	-	-	-
102.0	80.0	80.0	77.5	77.5	-	-	-	-	-	-
108.0	80.0	80.0	65.1	65.1	-	-	-	-	-	-
114.0	68.3	68.3	55.2	55.2	-	-	-	-	-	-
120.0	58.4	58.4	-	-	-	-	-	-	-	-
126.0	50.4	50.4	-	-	-	-	-	-	-	-
132.0	43.8	43.8	-	-	-	-	-	-	-	-
138.0	38.3	38.3	-	-	-	-	-	-	-	-
144.0	33.6	33.6	-	-	-	-	-	-	-	-

Chart #3

Panel Height (in)	Maximum Design pressure (psf)									
	Single Panel Width (in)									
	24.0		30.0		36.281		42.0000		44.000	
	Pos	Neg	Pos	Neg	Pos	Neg	Pos	Neg	Pos	Neg
78.0	60.0	65.0	60.0	65.0	60.0	65.0	60.0	65.0	60.0	65.0
84.0	60.0	65.0	60.0	65.0	60.0	65.0	-	-	-	-
90.0	60.0	65.0	60.0	65.0	60.0	65.0	-	-	-	-
95.5	60.0	65.0	60.0	65.0	60.0	65.0	-	-	-	-
96.0	60.0	65.0	60.0	65.0	-	-	-	-	-	-
102.0	60.0	65.0	60.0	63.0	-	-	-	-	-	-
108.0	60.0	65.0	52.9	52.9	-	-	-	-	-	-
114.0	55.5	55.5	44.8	44.8	-	-	-	-	-	-
120.0	47.5	47.5	-	-	-	-	-	-	-	-
126.0	40.9	40.9	-	-	-	-	-	-	-	-
132.0	35.6	35.6	-	-	-	-	-	-	-	-
138.0	31.1	31.1	-	-	-	-	-	-	-	-
144.0	27.3	27.3	-	-	-	-	-	-	-	-

Chart #4

Panel Height (in)	Maximum Design pressure (psf)									
	Single Panel Width (in)									
	24.0		30.0		36.281		42.0000		44.000	
	Pos	Neg	Pos	Neg	Pos	Neg	Pos	Neg	Pos	Neg
78.0	60.0	80.0	60.0	80.0	60.0	80.0	60.0	74.0	60.0	70.7
84.0	60.0	80.0	60.0	80.0	60.0	79.6	-	-	-	-
90.0	60.0	80.0	60.0	80.0	60.0	74.3	-	-	-	-
95.5	60.0	80.0	60.0	80.0	60.0	70.0	-	-	-	-
96.0	60.0	80.0	60.0	80.0	-	-	-	-	-	-
102.0	60.0	80.0	60.0	67.9	-	-	-	-	-	-
108.0	60.0	70.4	56.9	56.9	-	-	-	-	-	-
114.0	59.7	59.7	48.3	48.3	-	-	-	-	-	-
120.0	51.1	51.1	-	-	-	-	-	-	-	-
126.0	44.1	44.1	-	-	-	-	-	-	-	-
132.0	38.3	38.3	-	-	-	-	-	-	-	-
138.0	33.5	33.5	-	-	-	-	-	-	-	-
144.0	29.4	29.4	-	-	-	-	-	-	-	-

SOLAR INNOVATIONS, INC.

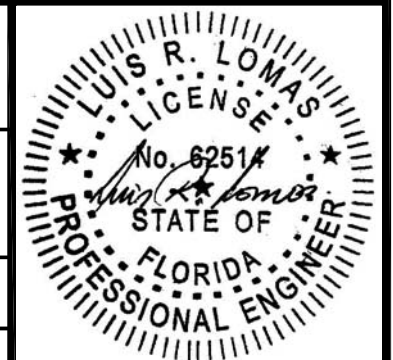
31 ROBERTS RD
PINE GROVE, PA 17963

SERIES SI3000 FGW 3X8 PANEL OUTFOLD
ALUMINUM REINFORCED - IMPACT - HVHZ
ANCHORING LAYOUT AND DESIGN PRESSURE CHARTS

DRAWN: R.L. DWG NO. 08-01793 REV E
SCALE NTS DATE 09/19/12 SHEET 4 OF 18

L. ROBERTO LOMAS P.E.
1432 WOODFORD RD LEWISVILLE, NC 27023
434-688-0609 rllomas@rlomaspe.com

SIGNED: 12/18/2020



Luis R. Lomas P.E.
FL No.: 62514

PARTS LIST				
NO.	PART NUMBER	DESCRIPTION	MANUFACTURER	MATERIAL
1	H-12498-A	DUAL WHEEL HEAD/SILL ASSY	KEYMARK	ALUMINUM 6063-T5
2	S45004	FRAME	KEYMARK	ALUMINUM 6063-T5
3	S54168	FRAME CAP	KEYMARK	ALUMINUM 6063-T5
4	H07559	FRAME LUG	KEYMARK	ALUMINUM 6063-T5
5	NOT USED			
6	47086	HANDLE - LOW PROFILE	KEYMARK	ALUMINUM 6063-T5
7		HANDLE - RECESSED/FLUSH	KEYMARK	ALUMINUM 6063-T5
8	34713	GLASS STOP 1"	KEYMARK	ALUMINUM 6063-T5
9	34715	GLASS STOP 9/16"	KEYMARK	ALUMINUM 6063-T5
10		JAMB REINFORCEMENT	SOLAR	STEEL
11	H10686	HINGE EXTENSION	KEYMARK	ALUMINUM 6063-T5
12	S50311	TROLLY BODY	KEYMARK	ALUMINUM 6063-T6
13	34717	IDLER BODY	KEYMARK	ALUMINUM 6063-T5
14	H07606	HINGE	KEYMARK	ALUMINUM 6063-T5
15	S34841	HINGE COVER	KEYMARK	ALUMINUM 6063-T5
16	H07562	HINGE BARREL	KEYMARK	ALUMINUM 6063-T5
17		HINGE SEMI CONCEALED	KEYMARK	ALUMINUM 6063-T5
18	S47543	FRAME LOW PROFILE	KEYMARK	ALUMINUM 6063-T5
19	4498-02-00	MULTIFIN GASKET	EPG	EPDM 70 SHORE A
20		#10-32 X 1/2" FH SS SCREW		
22		1/8" SETTING BLOCK		
23		FLASHING		
24		#8 X 1/2" PH SELF DRILLING SCREW		
25		TROLLY COVER	KEYMARK	ALUMINUM 6063-T5
26		#8-32 X 3/8" FH SMS		
27		3/4" ARROW SHIM		
28		1/8" HARD SHIM		
29		SILPRUF	GE	
30		TROLLY ASSY BOTTOM LOAD		ALUMINUM 6063-T5
31		NOT USED		

REVISIONS			
REV	DESCRIPTION	DATE	APPROVED
E	REVISED PER NEW REQUIREMENTS	12/14/2020	R.L.

PARTS LIST				
NO.	PART NUMBER	DESCRIPTION	MANUFACTURER	MATERIAL
32		#10-24 X 1/2" FH SMS		
33		#12 X 1 FH SELF DRILLING SCREW		
34	GA000247-00-02	GASKET		
35		2 POINT LOCK		
36		#10-32 X 1" FH SMS		
37	49050	SLIDE-IN DOOR STOP	KEYMARK	ALUMINUM 6063-T5
38	GA000022-00-02	BULB GASKET		
39	40921	DOOR ADAPTER	KEYMARK	ALUMINUM 6063-T5
40		FLUSH BOLT		
41		DOOR SWEEP GASKET		
42		DOOR LEVER "MILAN" 2POINT LOCK		
43	44793	MULLION	KEYMARK	ALUMINUM 6063-T5
44		SURFACE MOUNT HINGE	KEYMARK	ALUMINUM 6063-T5
45		#10-32 X 3/8 FH SMS		
46		DOOR LEVER TORONTO 2 POINT LOCK		
47		REINFORCEMENT	KEYMARK	ALUMINUM 6063-T5
48	12497/12498	FLUSH SILL	KEYMARK	ALUMINUM 6063-T5
49	12862	NON-THERMAL FRAME	KEYMARK	ALUMINUM 6063-T5

SOLAR INNOVATIONS, INC.
31 ROBERTS RD
PINE GROVE, PA 17963

SERIES SI3000 FGW 3X8 PANEL OUTFOLD
ALUMINUM REINFORCED - IMPACT - HVHZ
B.O.M.

DRAWN: R.L.	DWG NO. 08-01793	REV E
SCALE NTS	DATE 09/19/12	SHEET 5 OF 18

L. ROBERTO LOMAS P.E.
1432 WOODFORD RD LEWISVILLE, NC 27023
434-688-0609 rllomas@rlomaspe.com

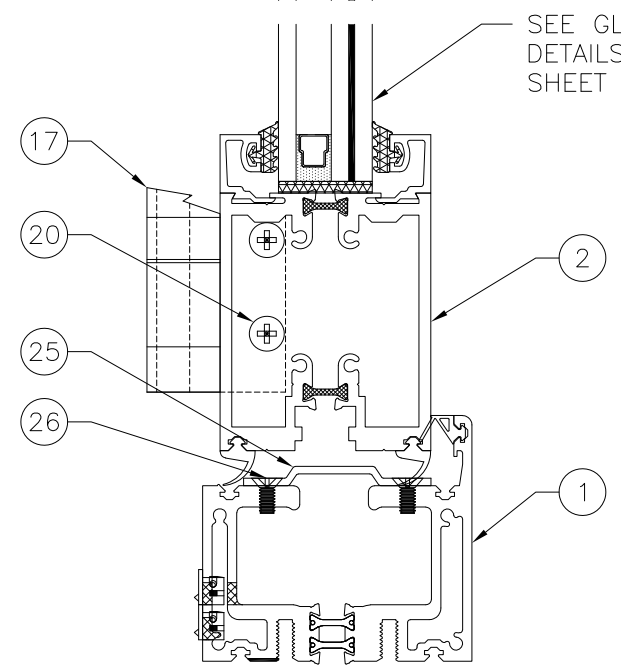
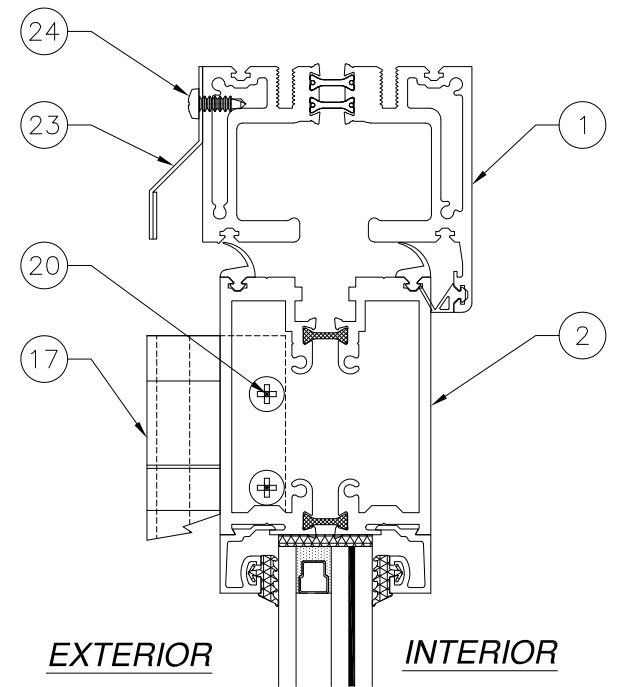
SIGNED: 12/18/2020



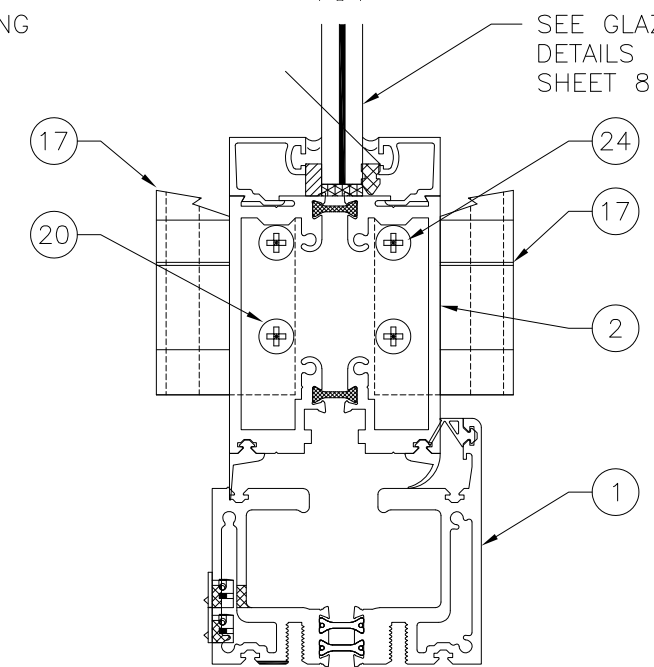
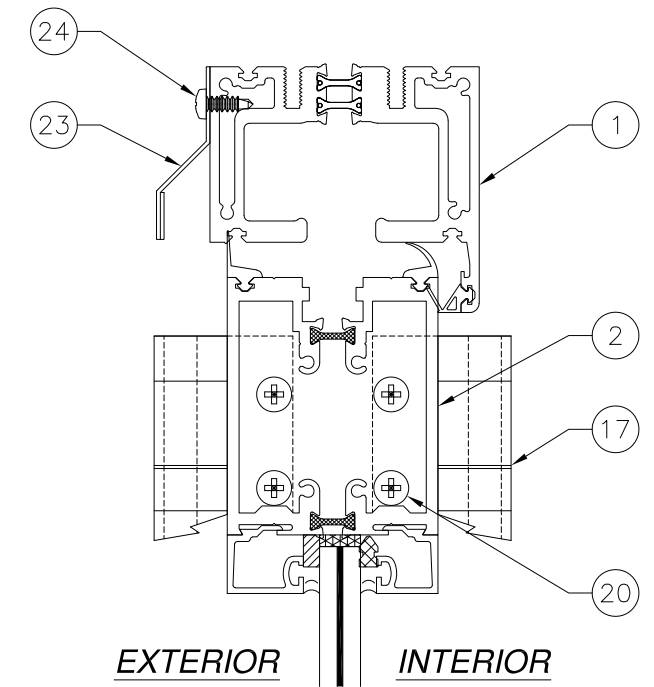
Luis R. Lomas P.E.
FL No.: 62514

**FOR ILLUSTRATION PURPOSES ONLY
FOR INSTALLATION DETAILS REFER TO SHEETS 13 -15**

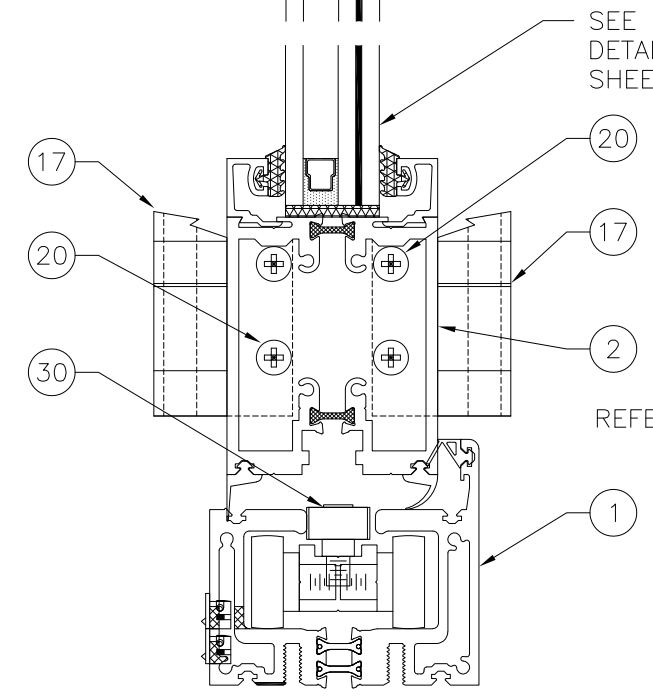
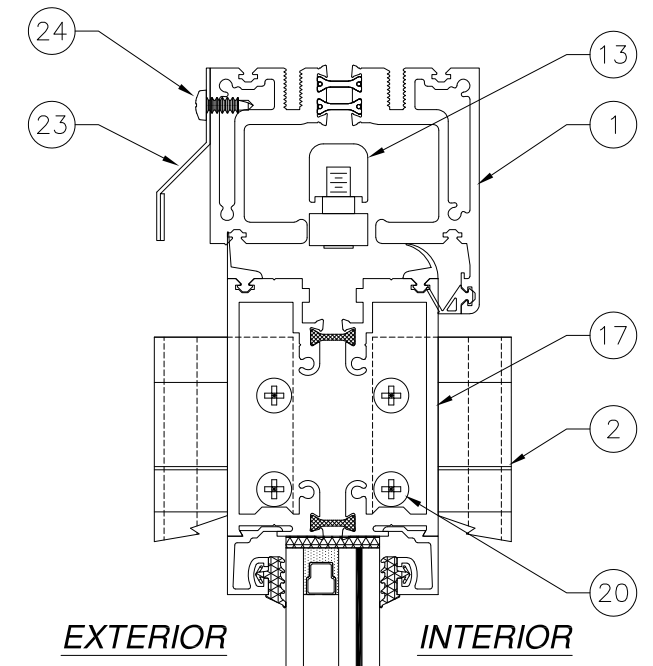
REVISIONS			
REV	DESCRIPTION	DATE	APPROVED
E	REVISED PER NEW REQUIREMENTS	12/14/2020	R.L.



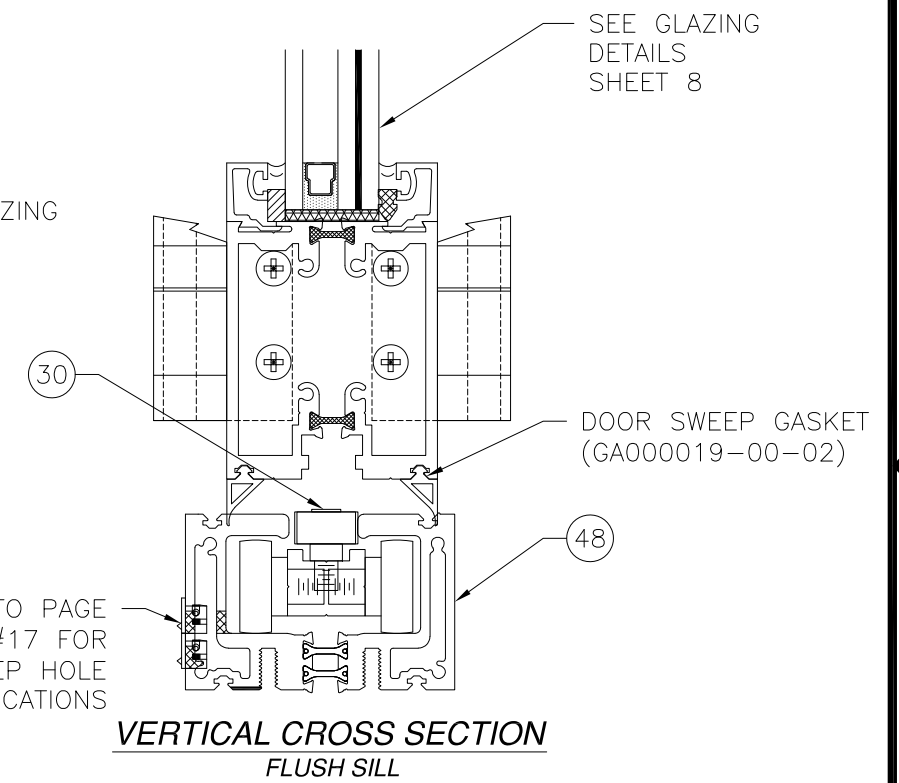
A
6 VERTICAL CROSS SECTION



B
6 VERTICAL CROSS SECTION



C
6 VERTICAL CROSS SECTION
BOTTOM LOAD



D
6 VERTICAL CROSS SECTION
FLUSH SILL

SOLAR INNOVATIONS, INC.
31 ROBERTS RD
PINE GROVE, PA 17963

SERIES SI3000 FGW 3X8 PANEL OUTFOLD
ALUMINUM REINFORCED - IMPACT - HVHZ
VERTICAL CROSS SECTIONS

DRAWN: R.L.	DWG NO. 08-01793	REV E
SCALE NTS	DATE 09/19/12	SHEET 6 OF 18

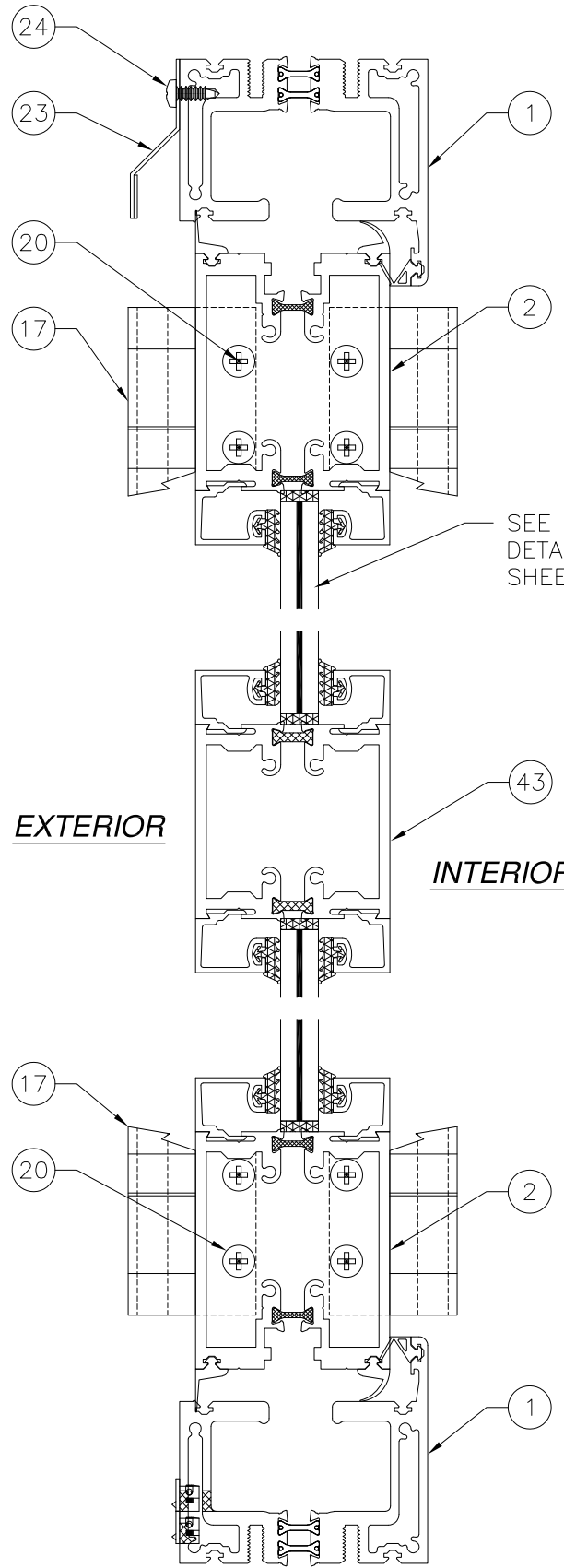
L. ROBERTO LOMAS P.E.
1432 WOODFORD RD LEWISVILLE, NC 27023
434-688-0609 rllomas@rlomaspe.com

SIGNED: 12/18/2020

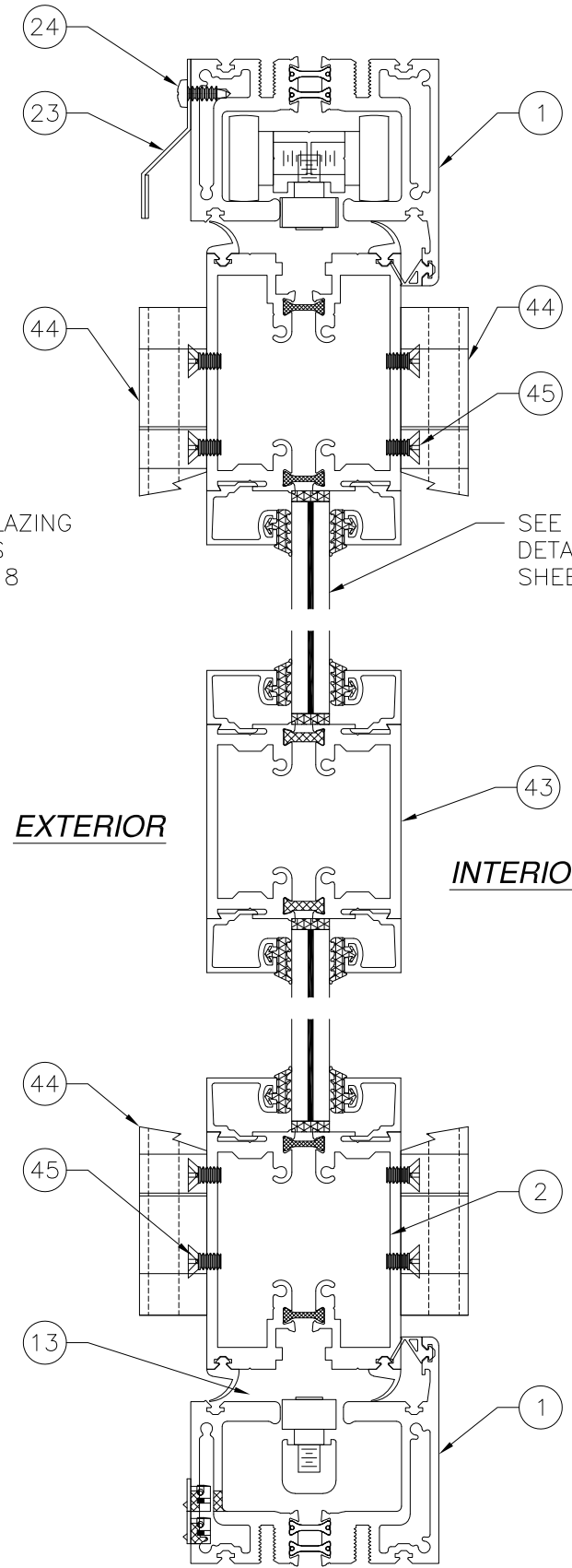
Luis R. Lomas P.E.
FL No.: 62514

**FOR ILLUSTRATION PURPOSES ONLY
FOR INSTALLATION DETAILS REFER TO SHEETS 13 -15**

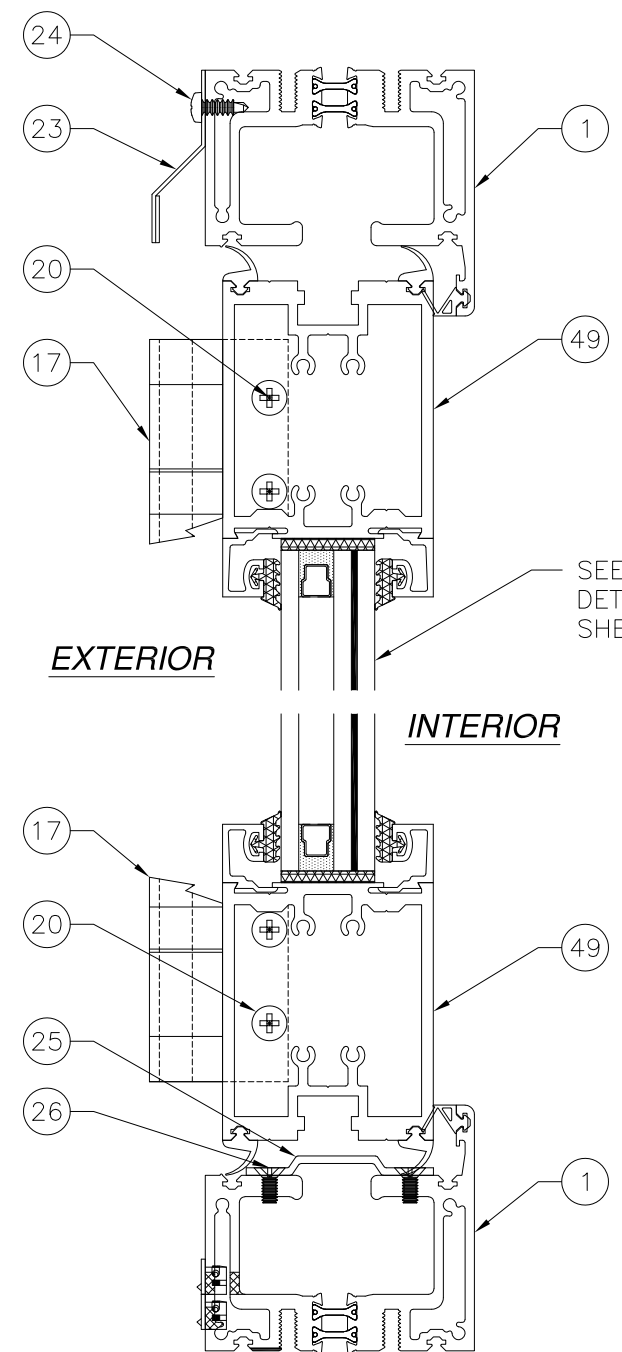
REVISIONS			
REV	DESCRIPTION	DATE	APPROVED
E	REVISED PER NEW REQUIREMENTS	12/14/2020	R.L.



E
7
VERTICAL CROSS SECTION



F
7
**VERTICAL CROSS SECTION
TOP LOAD**



A
7
**VERTICAL CROSS SECTION
NON-THERMAL PANEL**

SOLAR INNOVATIONS, INC.
31 ROBERTS RD
PINE GROVE, PA 17963

SERIES SI3000 FGW 3X8 PANEL OUTFOLD
ALUMINUM REINFORCED - IMPACT - HVHZ
VERTICAL CROSS SECTIONS

DRAWN: R.L.	DWG NO. 08-01793	REV E
SCALE NTS	DATE 09/19/12	SHEET 7 OF 18

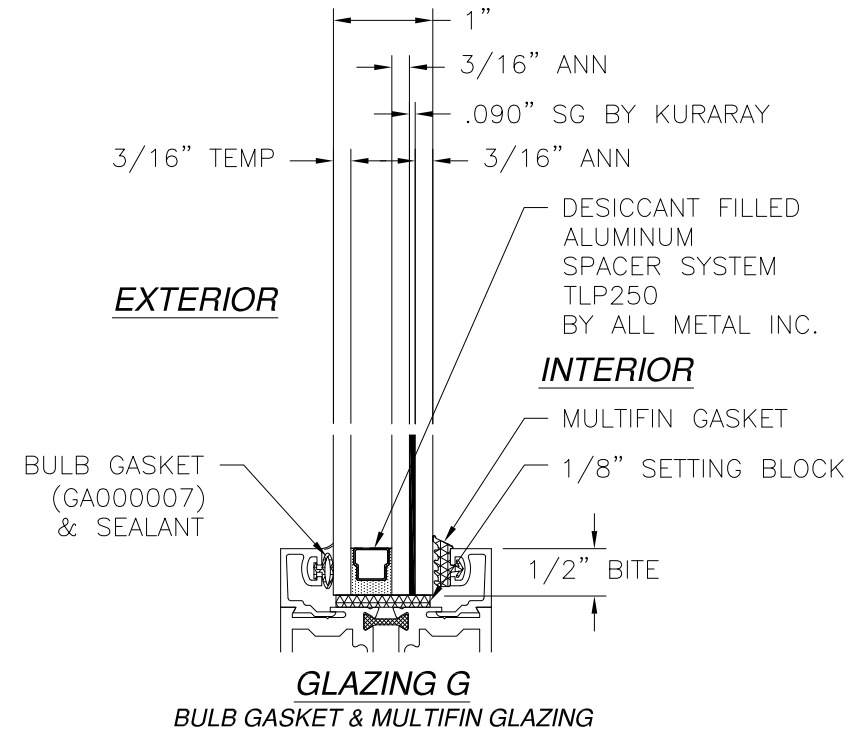
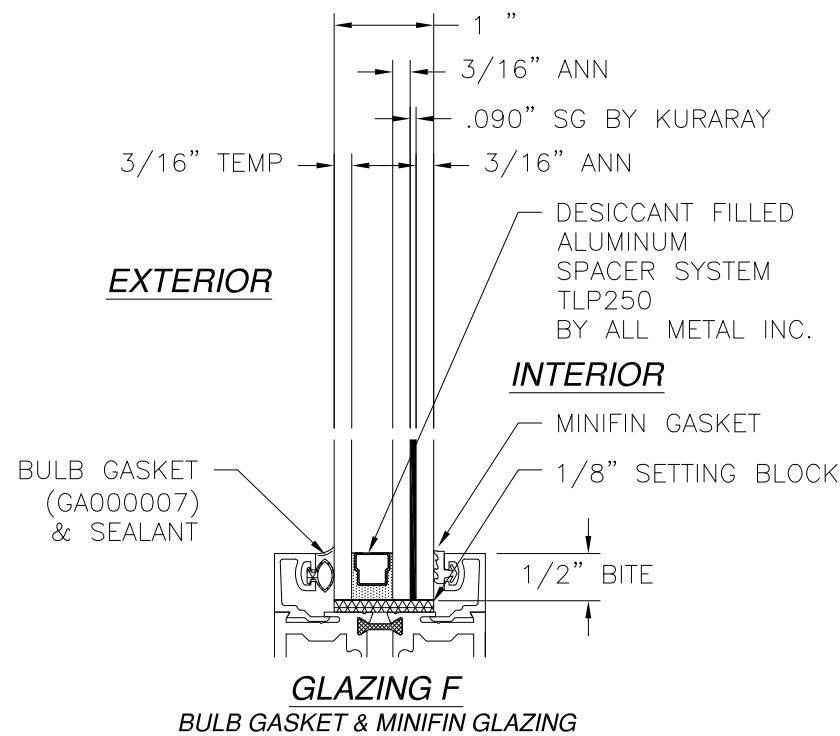
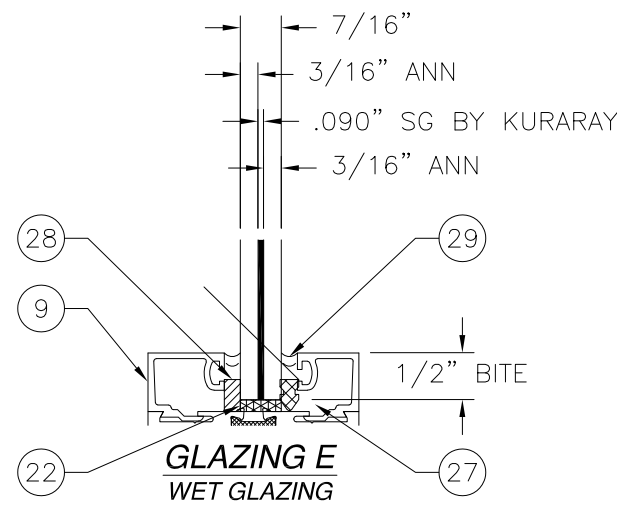
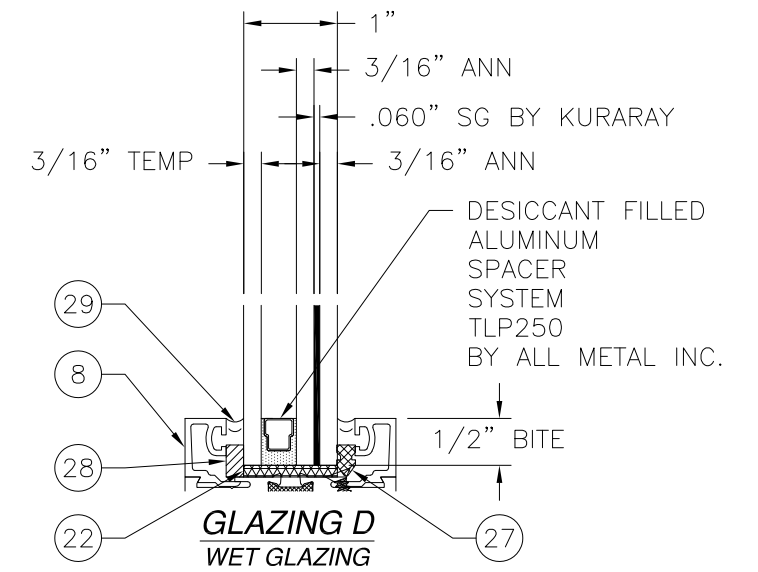
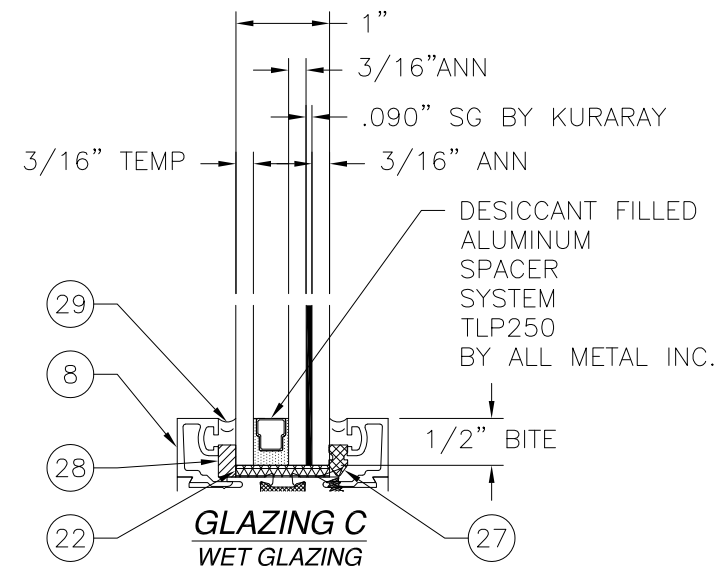
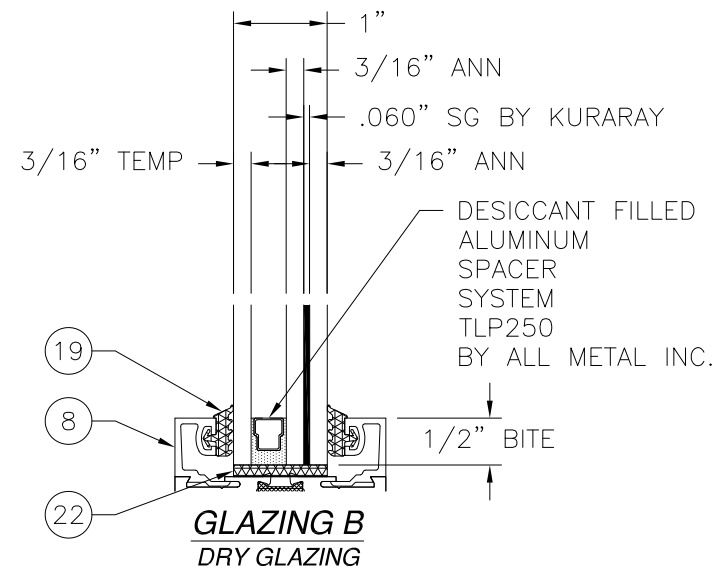
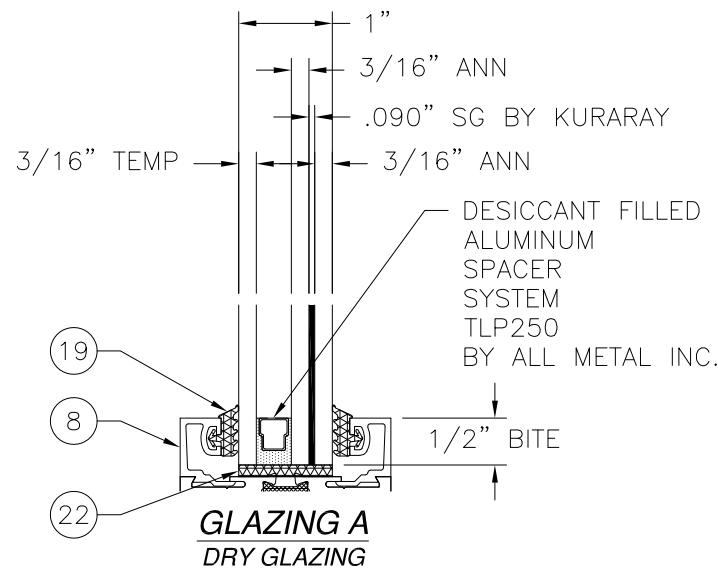
L. ROBERTO LOMAS P.E.
1432 WOODFORD RD LEWISVILLE, NC 27023
434-688-0609 rllomas@lrlomaspe.com

SIGNED: 12/18/2020



Luis R. Lomas P.E.
FL No.: 62514

REVISIONS			
REV	DESCRIPTION	DATE	APPROVED
E	REVISED PER NEW REQUIREMENTS	12/14/2020	R.L.



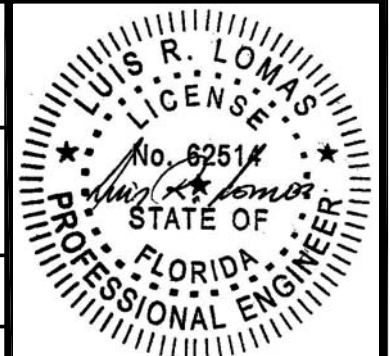
SIGNED: 12/18/2020

SOLAR INNOVATIONS, INC.
31 ROBERTS RD
PINE GROVE, PA 17963

SERIES SI3000 FGW 3X8 PANEL OUTFOLD
ALUMINUM REINFORCED - IMPACT - HVHZ
GLAZING DETAILS

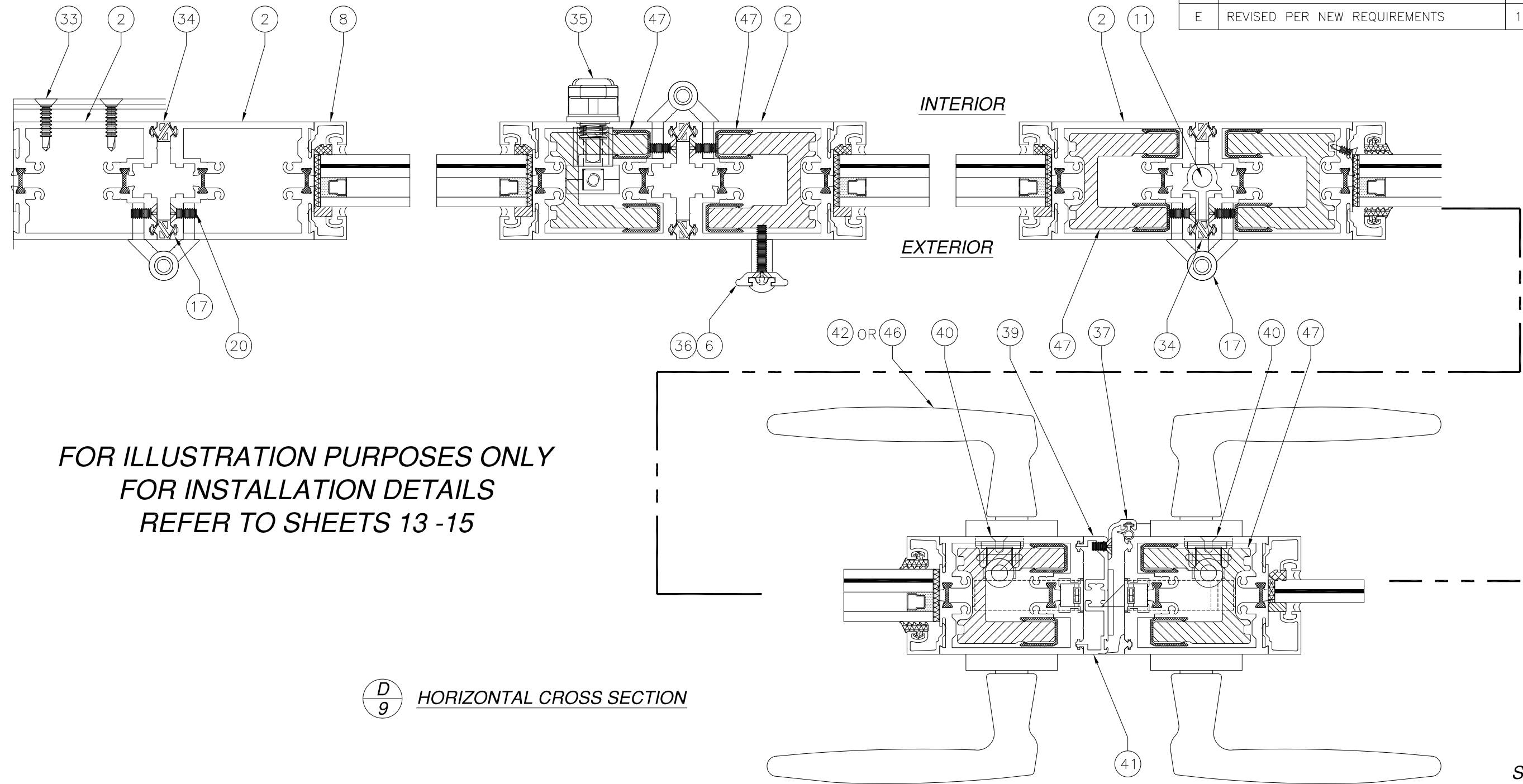
DRAWN: R.L.	DWG NO. 08-01793	REV E
SCALE NTS	DATE 09/19/12	SHEET 8 OF 18

L. ROBERTO LOMAS P.E.
1432 WOODFORD RD LEWISVILLE, NC 27023
434-688-0609 rllomas@rlomaspe.com



Luis R. Lomas P.E.
FL No.: 62514

REVISIONS			
REV	DESCRIPTION	DATE	APPROVED
E	REVISED PER NEW REQUIREMENTS	12/14/2020	R.L.



FOR ILLUSTRATION PURPOSES ONLY
 FOR INSTALLATION DETAILS
 REFER TO SHEETS 13 -15

CONTINUED
 IN SHEET 10

$\frac{D}{9}$ HORIZONTAL CROSS SECTION

SIGNED: 12/18/2020

SOLAR INNOVATIONS, INC.
 31 ROBERTS RD
 PINE GROVE, PA 17963

SERIES SI3000 FGW 3X8 PANEL OUTFOLD
 ALUMINUM REINFORCED - IMPACT - HVHZ
 HORIZONTAL CROSS SECTIONS

DRAWN: R.L.	DWG NO. 08-01793	REV E
SCALE NTS	DATE 09/19/12	SHEET 9 OF 18

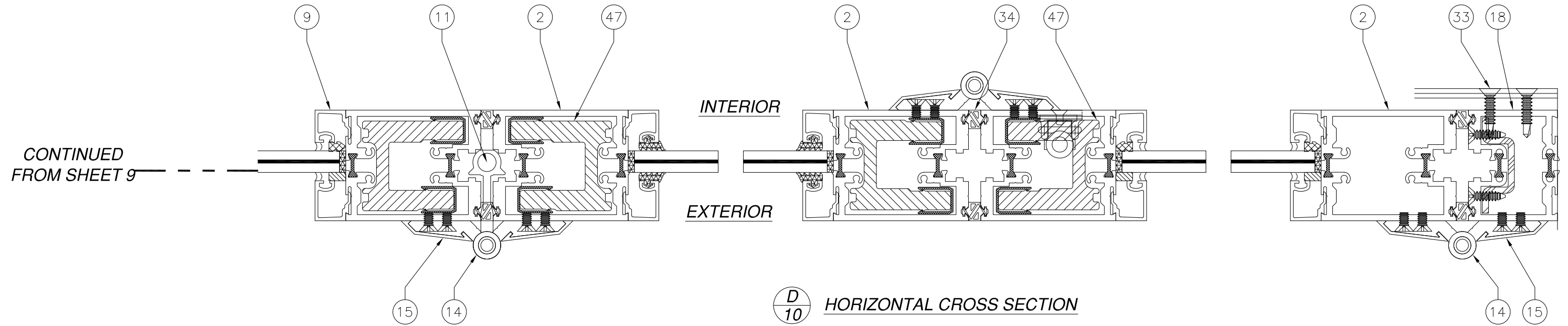
L. ROBERTO LOMAS P.E.
 1432 WOODFORD RD LEWISVILLE, NC 27023
 434-688-0609 rllomas@rlomaspe.com



Luis R. Lomas P.E.
 FL No.: 62514

FOR ILLUSTRATION PURPOSES ONLY
 FOR INSTALLATION DETAILS REFER TO SHEETS 13 - 15

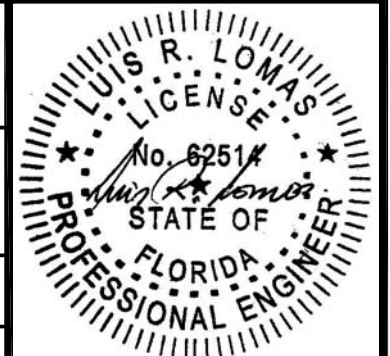
REVISIONS			
REV	DESCRIPTION	DATE	APPROVED
E	REVISED PER NEW REQUIREMENTS	12/14/2020	R.L.



$\frac{D}{10}$ HORIZONTAL CROSS SECTION

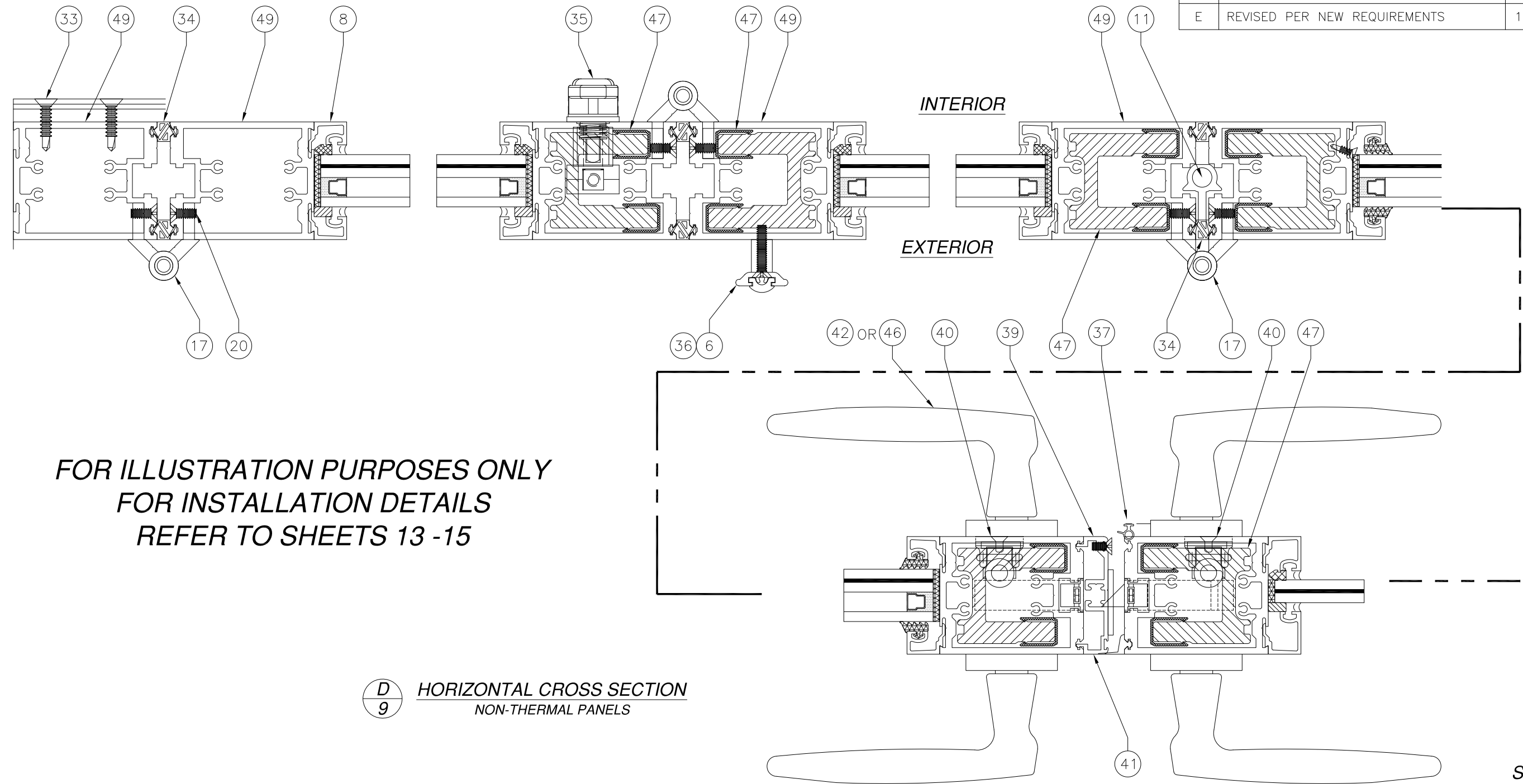
SIGNED: 12/18/2020

SOLAR INNOVATIONS, INC. 31 ROBERTS RD PINE GROVE, PA 17963		
SERIES SI3000 FGW 3X8 PANEL OUTFOLD ALUMINUM REINFORCED - IMPACT - HVHZ HORIZONTAL CROSS SECTIONS		
DRAWN: R.L.	DWG NO. 08-01793	REV E
SCALE NTS	DATE 09/19/12	SHEET 10 OF 18
L. ROBERTO LOMAS P.E. 1432 WOODFORD RD LEWISVILLE, NC 27023 434-688-0609 rllomas@lrlomaspe.com		



Luis R. Lomas P.E.
 FL No.: 62514

REVISIONS			
REV	DESCRIPTION	DATE	APPROVED
E	REVISED PER NEW REQUIREMENTS	12/14/2020	R.L.



FOR ILLUSTRATION PURPOSES ONLY
 FOR INSTALLATION DETAILS
 REFER TO SHEETS 13 -15

CONTINUED
 IN SHEET 12

$\frac{D}{9}$ HORIZONTAL CROSS SECTION
 NON-THERMAL PANELS

SIGNED: 12/18/2020

SOLAR INNOVATIONS, INC.
 31 ROBERTS RD
 PINE GROVE, PA 17963

SERIES SI3000 FGW 3X8 PANEL OUTFOLD
 ALUMINUM REINFORCED - IMPACT - HVHZ
 HORIZONTAL CROSS SECTIONS

DRAWN: R.L.	DWG NO. 08-01793	REV E
SCALE NTS	DATE 09/19/12	SHEET 11 OF 18

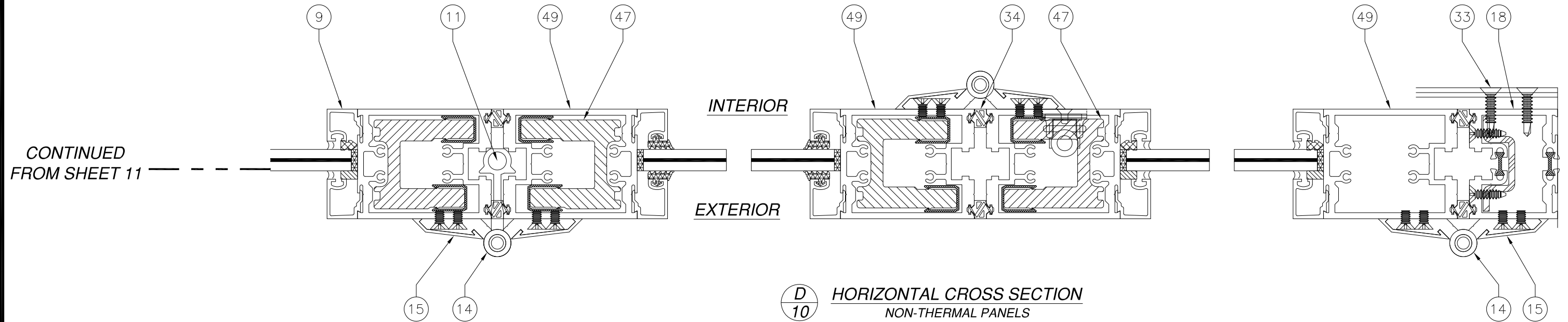
L. ROBERTO LOMAS P.E.
 1432 WOODFORD RD LEWISVILLE, NC 27023
 434-688-0609 rllomas@rlomaspe.com

Professional Engineer Seal for Luis R. Lomas, State of Florida, License No. 62514.

Luis R. Lomas P.E.
 FL No.: 62514

FOR ILLUSTRATION PURPOSES ONLY
 FOR INSTALLATION DETAILS REFER TO SHEETS 13 -15

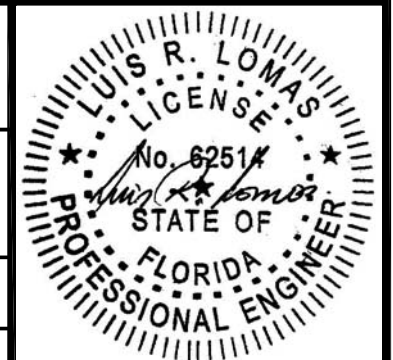
REVISIONS			
REV	DESCRIPTION	DATE	APPROVED
E	REVISED PER NEW REQUIREMENTS	12/14/2020	R.L.



D
10 HORIZONTAL CROSS SECTION
 NON-THERMAL PANELS

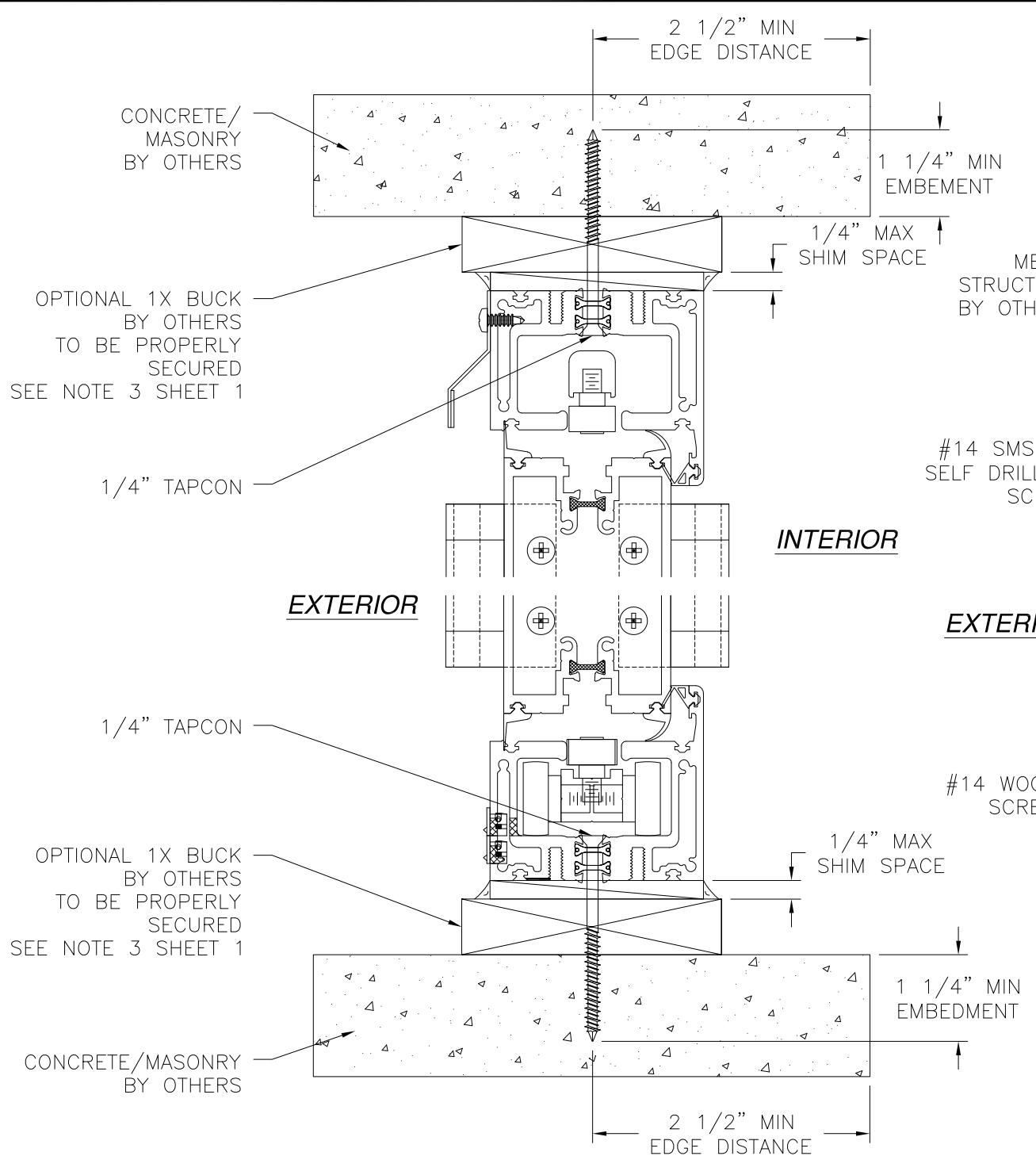
SIGNED: 12/18/2020

SOLAR INNOVATIONS, INC. 31 ROBERTS RD PINE GROVE, PA 17963		
SERIES SI3000 FGW 3X8 PANEL OUTFOLD ALUMINUM REINFORCED - IMPACT - HVHZ HORIZONTAL CROSS SECTIONS		
DRAWN: R.L.	DWG NO. 08-01793	REV E
SCALE NTS	DATE 09/19/12	SHEET 12 OF 18
L. ROBERTO LOMAS P.E. 1432 WOODFORD RD LEWISVILLE, NC 27023 434-688-0609 rllomas@lrlomaspe.com		

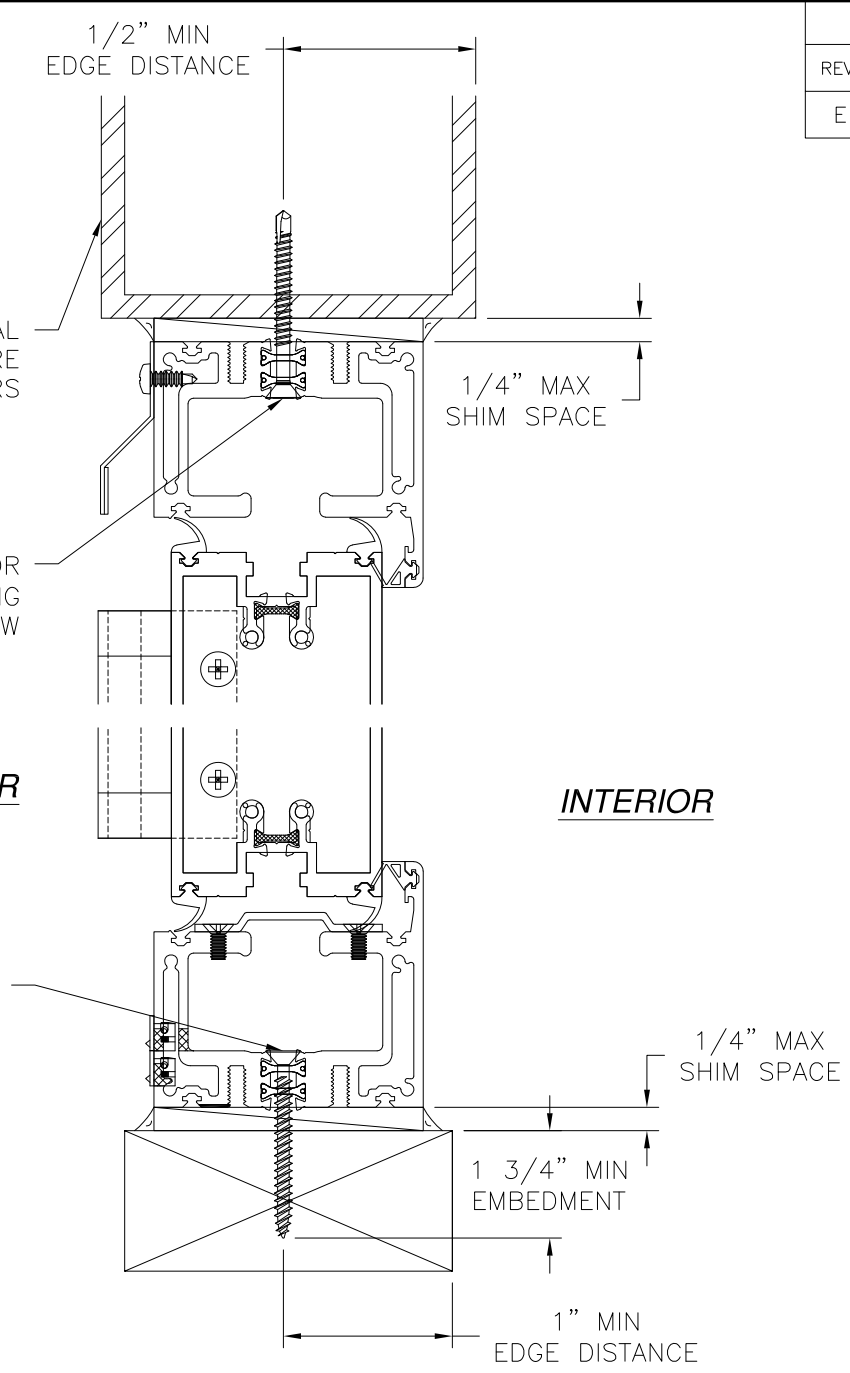


Luis R. Lomas P.E.
 FL No.: 62514

REVISIONS			
REV	DESCRIPTION	DATE	APPROVED
E	REVISED PER NEW REQUIREMENTS	12/14/2020	R.L.



VERTICAL CROSS SECTION
 CONCRETE/MASONRY INSTALLATION
 STANDARD SILL SHOWN FLUSH SILL SIMILAR



VERTICAL CROSS SECTION
 WOOD FRAMING OR 2X BUCK
 OR METAL STRUCTURE INSTALLATION
 STANDARD SILL SHOWN FLUSH SILL SIMILAR

NOTES:
 1. INTERIOR AND EXTERIOR FINISHES, BY OTHERS, NOT SHOWN FOR CLARITY.
 2. PERIMETER AND JOINT SEALANT BY OTHERS TO BE DESIGNED IN ACCORDANCE WITH ASTM E2112

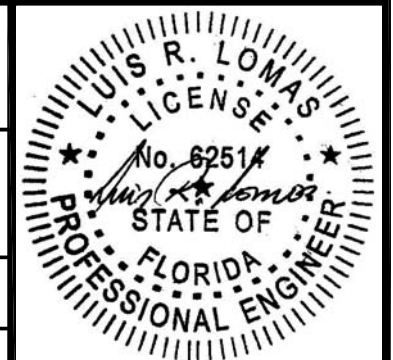
SOLAR INNOVATIONS, INC.
 31 ROBERTS RD
 PINE GROVE, PA 17963

SERIES SI3000 FGW 3X8 PANEL OUTFOLD
 ALUMINUM REINFORCED - IMPACT - HVHZ
 INSTALLATION DETAILS

DRAWN: R.L.	DWG NO. 08-01793	REV E
SCALE NTS	DATE 09/19/12	SHEET 13 OF 18

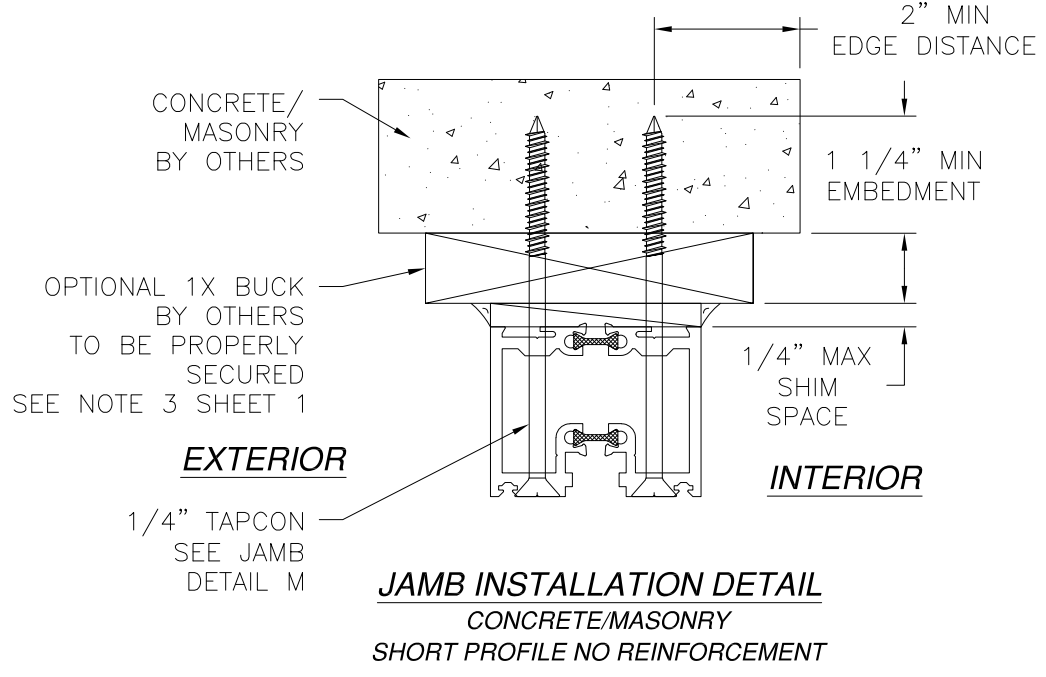
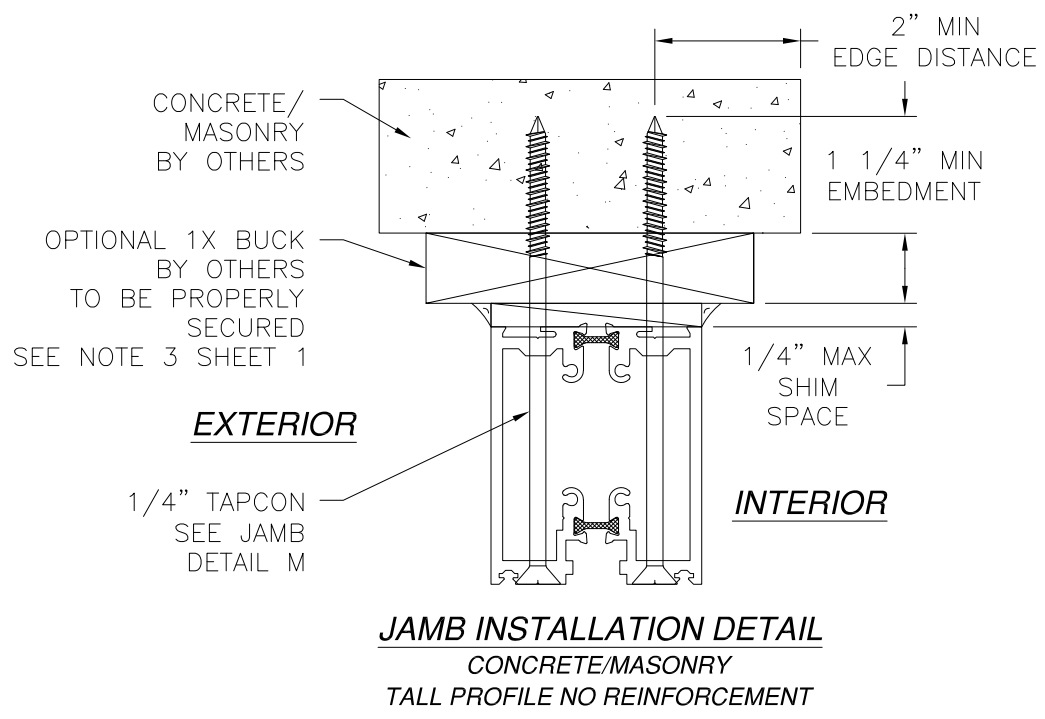
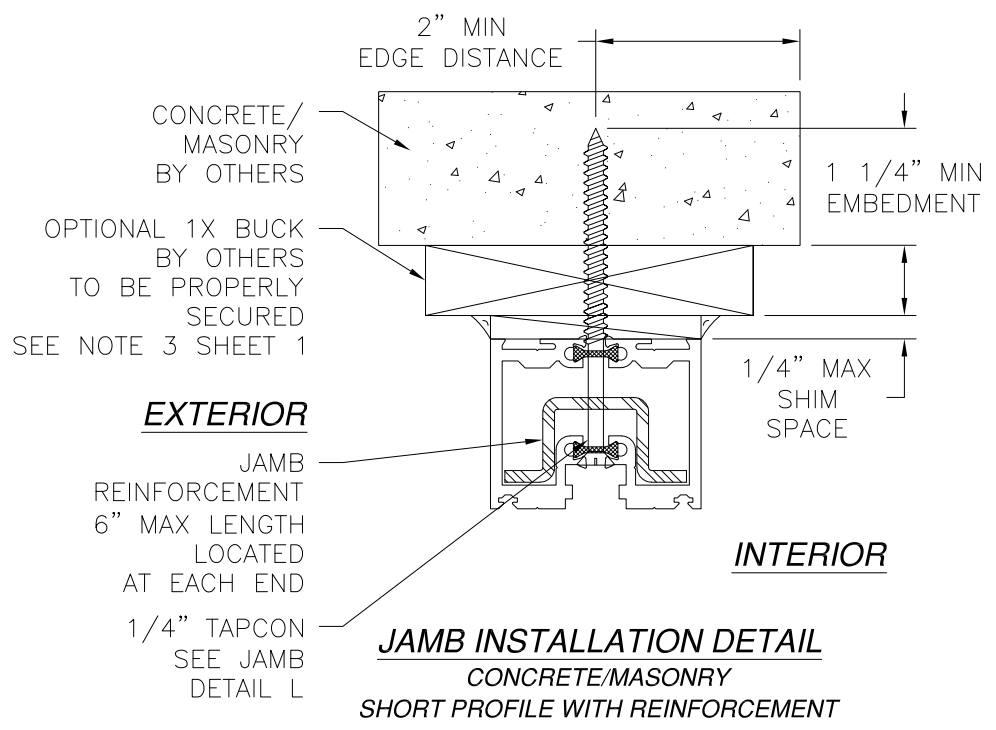
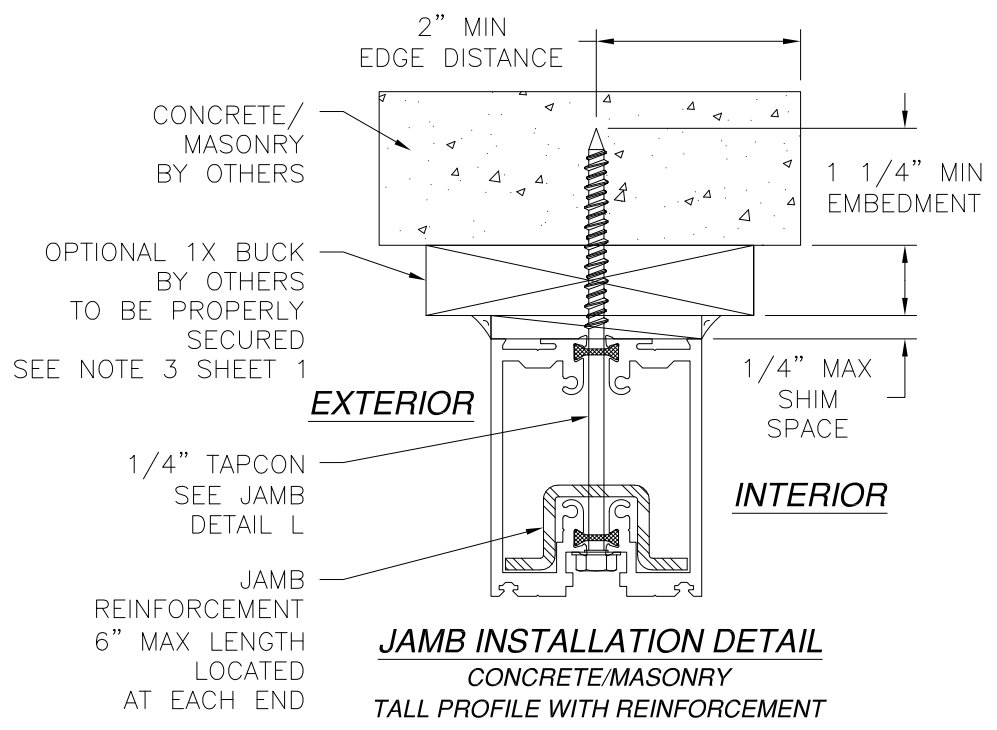
L. ROBERTO LOMAS P.E.
 1432 WOODFORD RD LEWISVILLE, NC 27023
 434-688-0609 rllomas@rlomaspe.com

SIGNED: 12/18/2020



Luis R. Lomas P.E.
 FL No.: 62514

REVISIONS			
REV	DESCRIPTION	DATE	APPROVED
E	REVISED PER NEW REQUIREMENTS	12/14/2020	R.L.



NOTES:
 1. INTERIOR AND EXTERIOR FINISHES, BY OTHERS, NOT SHOWN FOR CLARITY.
 2. PERIMETER AND JOINT SEALANT BY OTHERS TO BE DESIGNED IN ACCORDANCE WITH ASTM E2112

SOLAR INNOVATIONS, INC.
 31 ROBERTS RD
 PINE GROVE, PA 17963

SERIES SI3000 FGW 3X8 PANEL OUTFOLD
 ALUMINUM REINFORCED – IMPACT – HVHZ
 INSTALLATION DETAILS

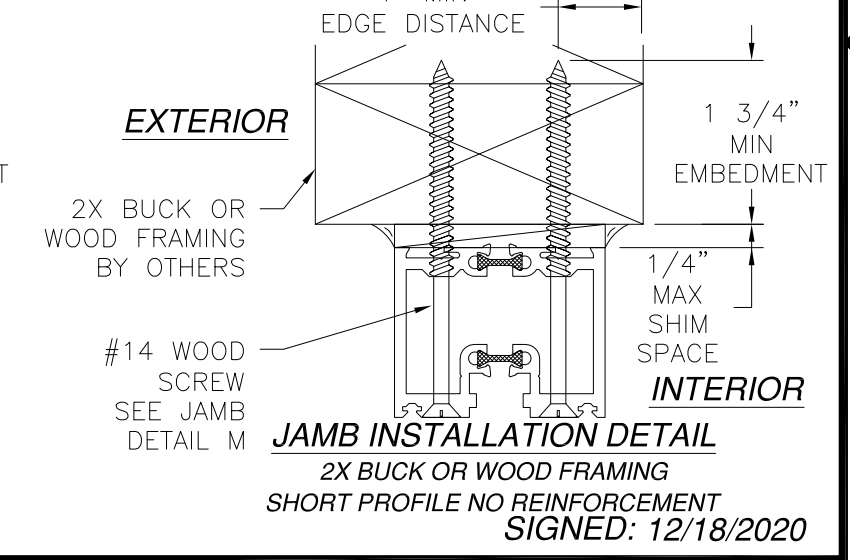
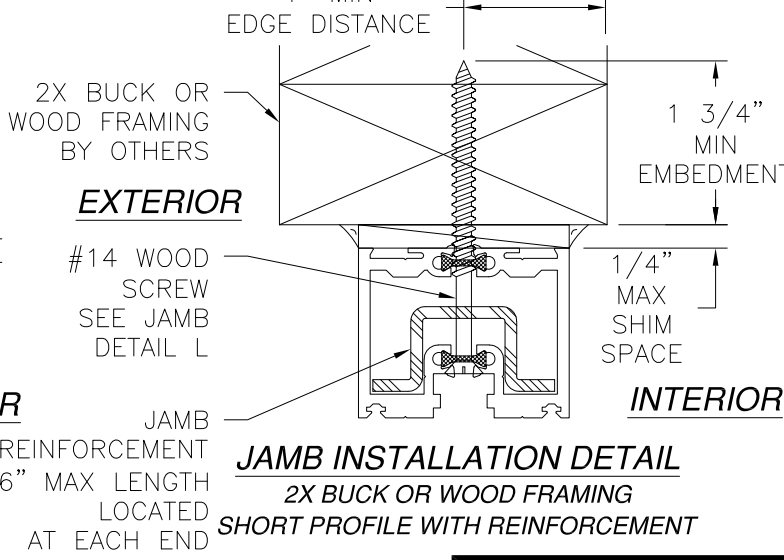
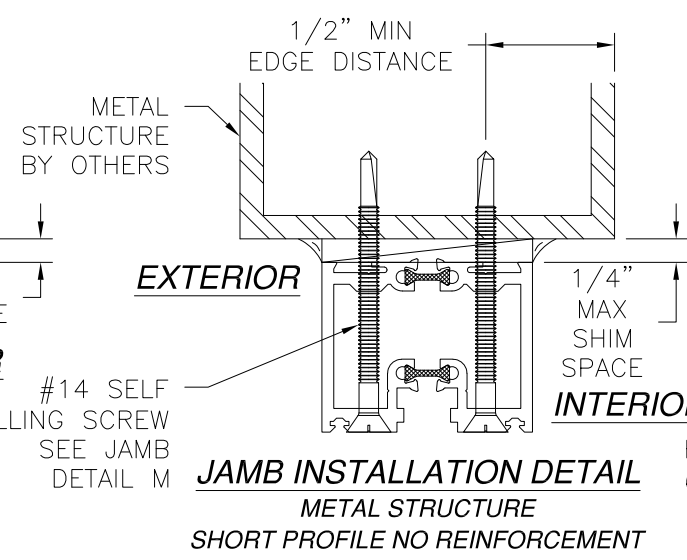
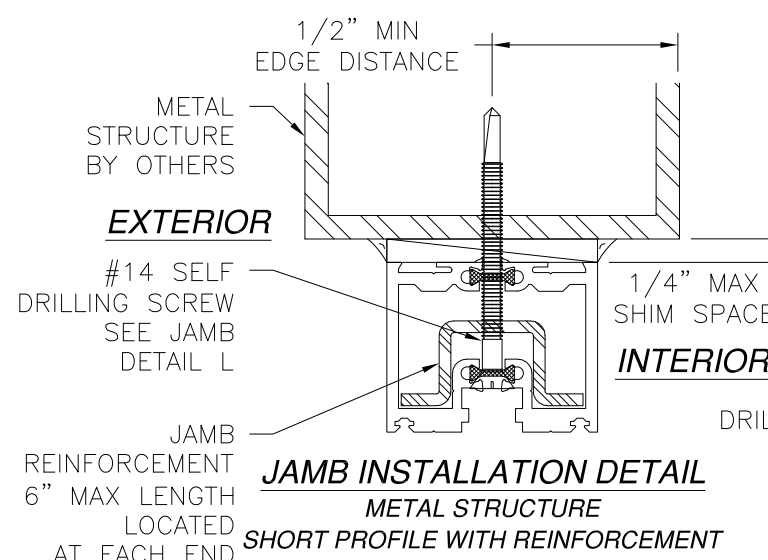
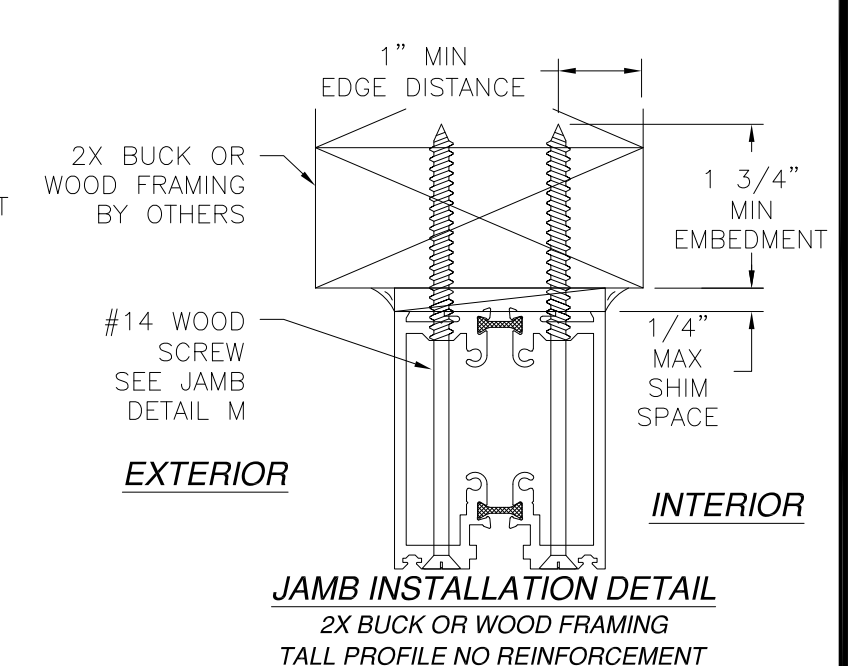
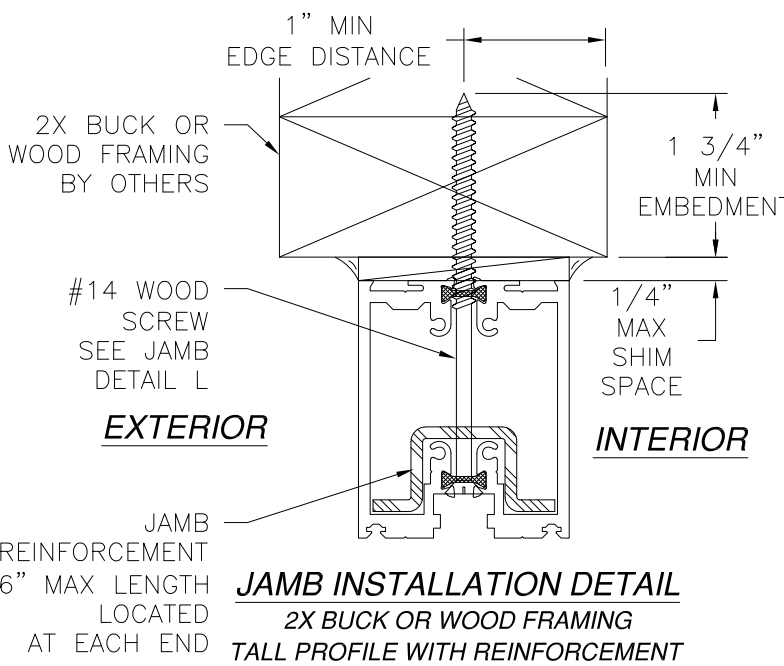
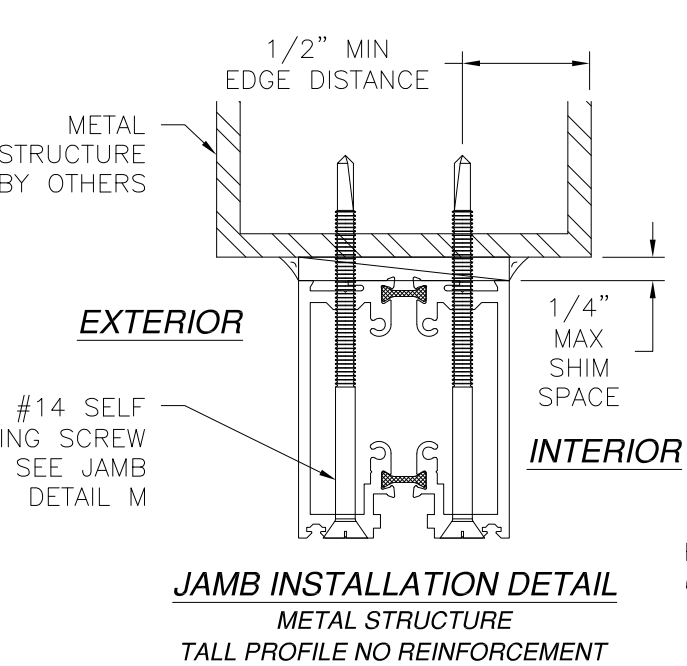
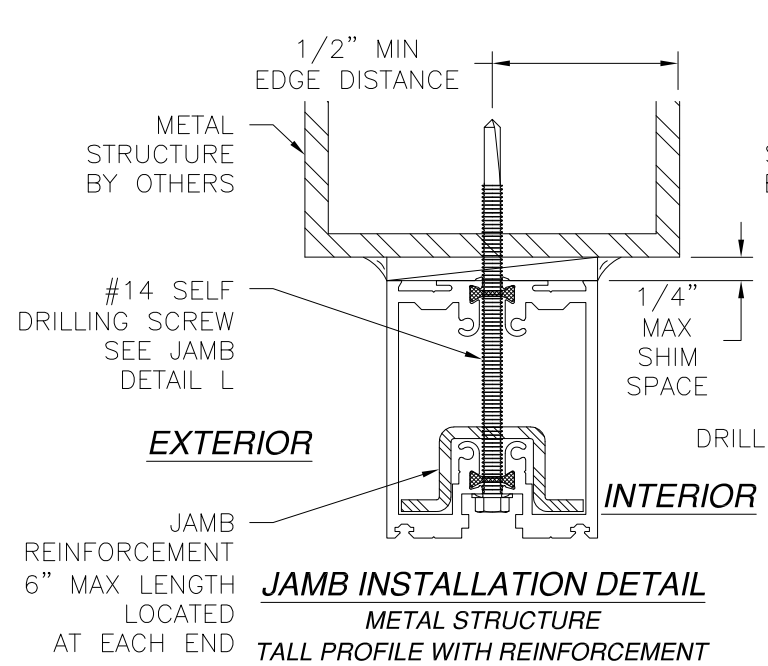
DRAWN: R.L.	DWG NO. 08-01793	REV E
SCALE NTS	DATE 09/19/12	SHEET 14 OF 18

L. ROBERTO LOMAS P.E.
 1432 WOODFORD RD LEWISVILLE, NC 27023
 434-688-0609 rllomas@rlomaspe.com

SIGNED: 12/18/2020

Luis R. Lomas P.E.
 FL No.: 62514

REVISIONS			
REV	DESCRIPTION	DATE	APPROVED
E	REVISED PER NEW REQUIREMENTS	12/14/2020	R.L.



NOTES:
1. INTERIOR AND EXTERIOR FINISHES, BY OTHERS, NOT SHOWN FOR CLARITY.
2. PERIMETER AND JOINT SEALANT BY OTHERS TO BE DESIGNED IN ACCORDANCE WITH ASTM E2112

SOLAR INNOVATIONS, INC.
31 ROBERTS RD
PINE GROVE, PA 17963

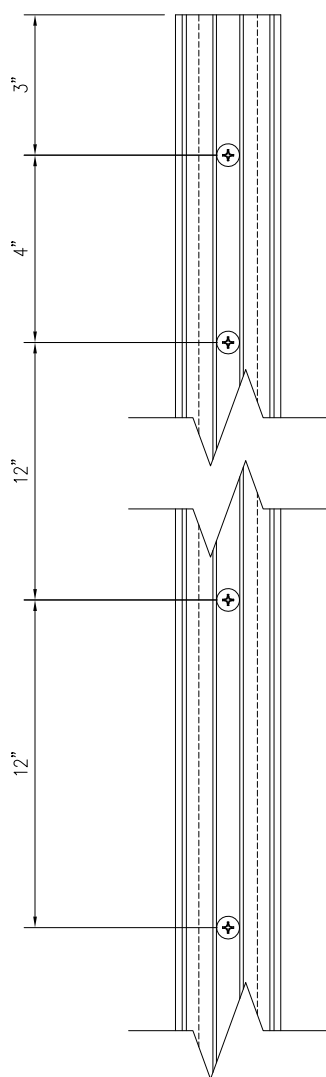
SERIES SI3000 FGW 3X8 PANEL OUTFOLD
ALUMINUM REINFORCED - IMPACT - HVHZ
INSTALLATION DETAILS

DRAWN: R.L.	DWG NO. 08-01793	REV E
SCALE NTS	DATE 09/19/12	SHEET 15 OF 18

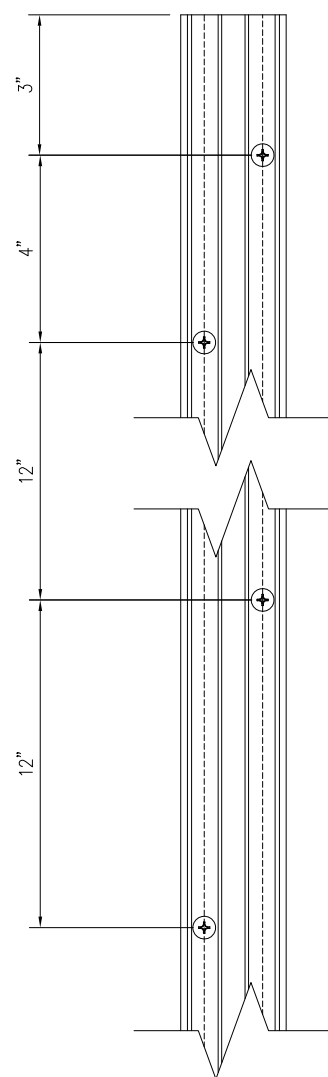
L. ROBERTO LOMAS P.E.
1432 WOODFORD RD LEWISVILLE, NC 27023
434-688-0609 rllomas@rlomaspe.com

Luis R. Lomas P.E.
FL No.: 62514

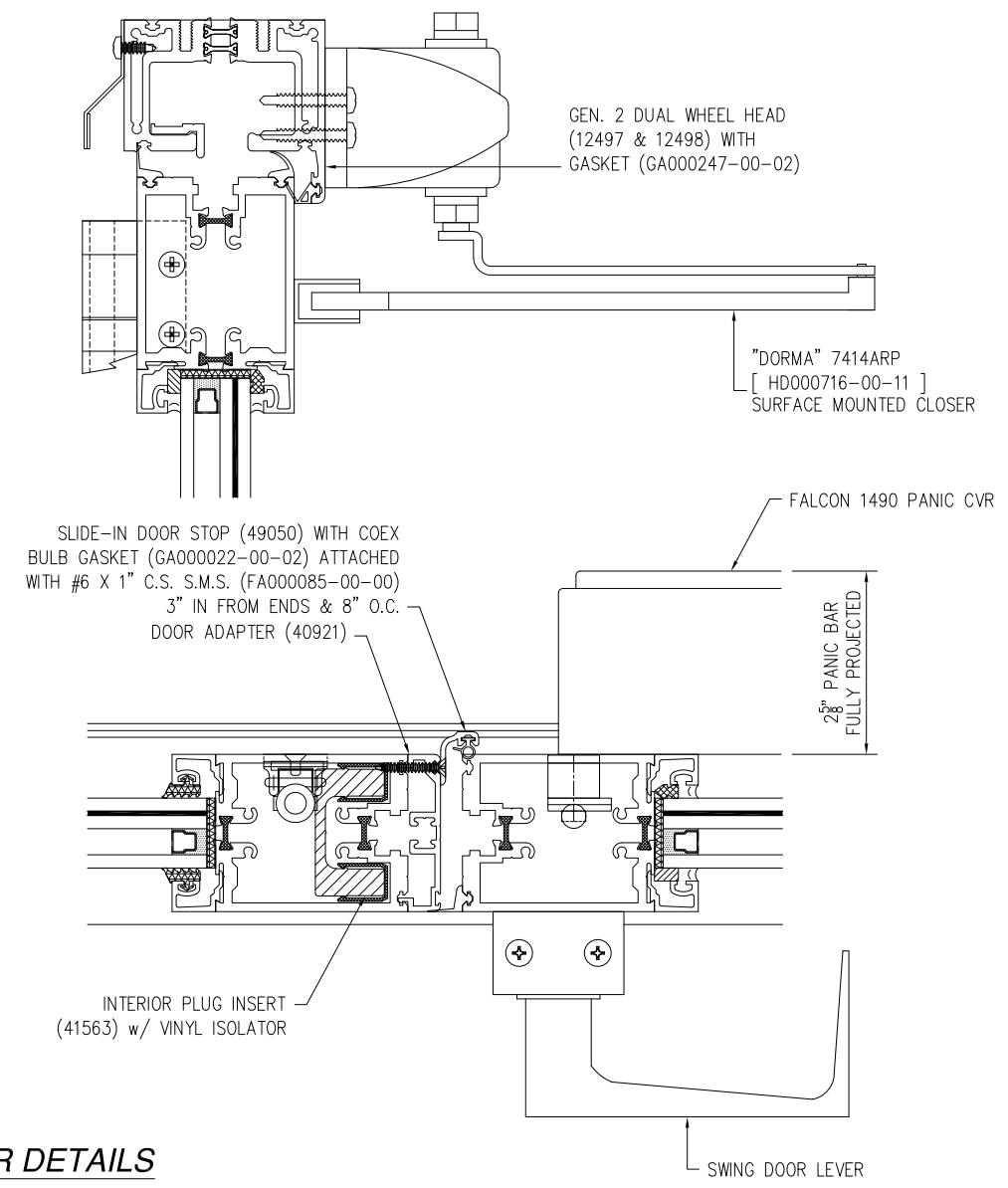
REVISIONS			
REV	DESCRIPTION	DATE	APPROVED
E	REVISED PER NEW REQUIREMENTS	12/14/2020	R.L.



JAMB INSTALLATION DETAIL L
JAMB WITH REINFORCEMENT



JAMB INSTALLATION DETAIL M
JAMB WITHOUT REINFORCEMENT



PANIC BAR DETAILS

SIGNED: 12/18/2020

SOLAR INNOVATIONS, INC.
31 ROBERTS RD
PINE GROVE, PA 17963

SERIES SI3000 FGW 3X8 PANEL OUTFOLD
ALUMINUM REINFORCED - IMPACT - HVHZ
INSTALLATION DETAILS

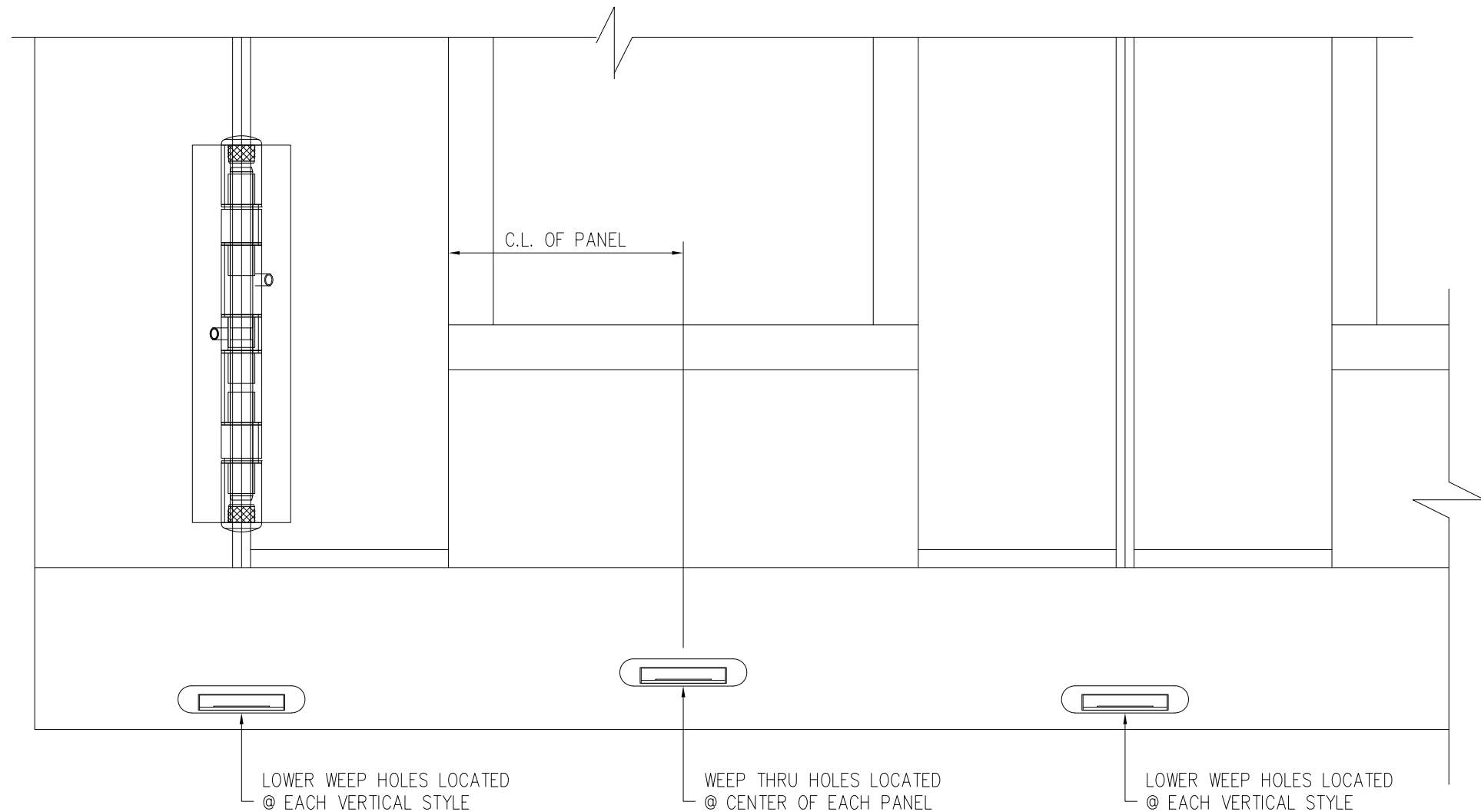
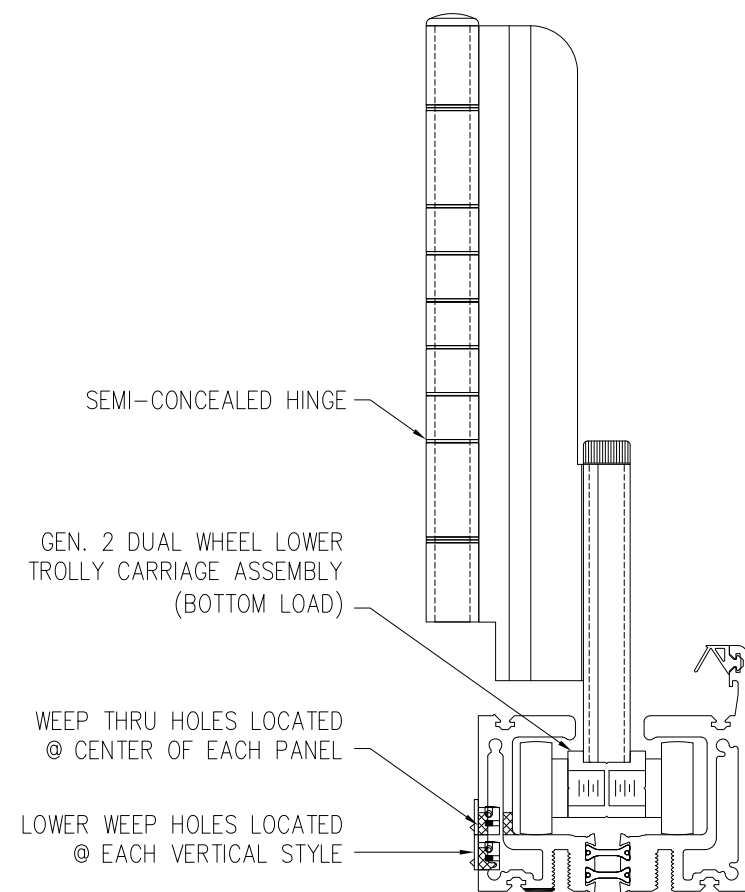
DRAWN: R.L.	DWG NO. 08-01793	REV E
SCALE NTS	DATE 09/19/12	SHEET 16 OF 18

L. ROBERTO LOMAS P.E.
1432 WOODFORD RD LEWISVILLE, NC 27023
434-688-0609 rllomas@rlomaspe.com



Luis R. Lomas P.E.
FL No.: 62514

REVISIONS			
REV	DESCRIPTION	DATE	APPROVED
E	REVISED PER NEW REQUIREMENTS	12/14/2020	R.L.



WEEP LOCATIONS

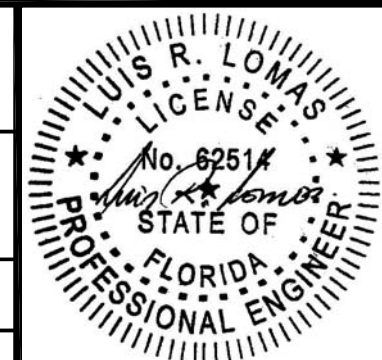
SIGNED: 12/18/2020

SOLAR INNOVATIONS, INC.
 31 ROBERTS RD
 PINE GROVE, PA 17963

SERIES SI3000 FGW 3X8 PANEL OUTFOLD
 ALUMINUM REINFORCED - IMPACT - HVHZ
 WEEP LOCATIONS

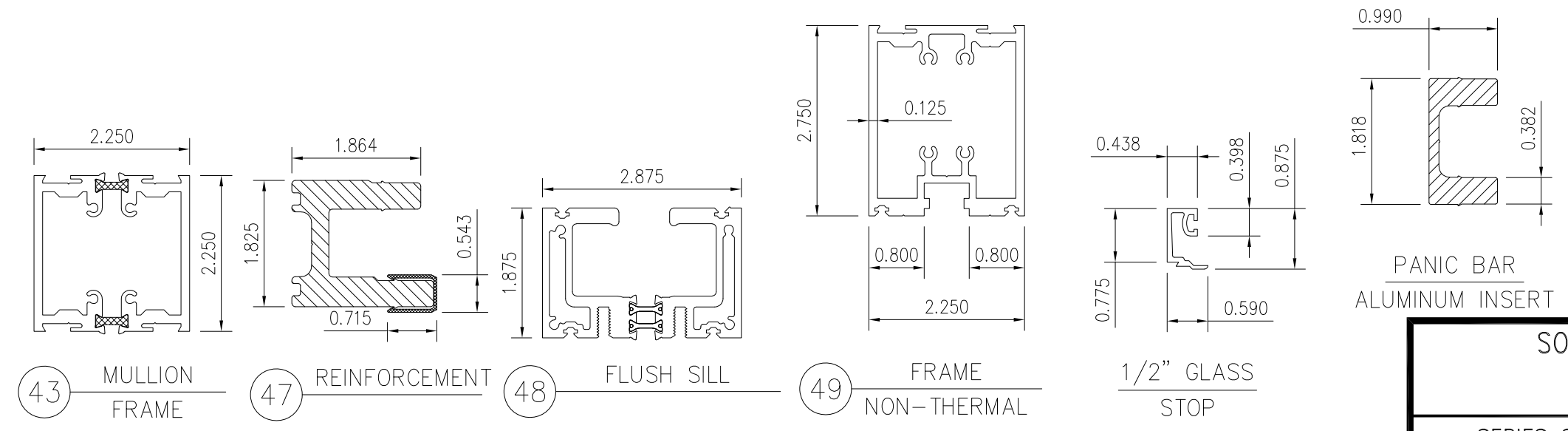
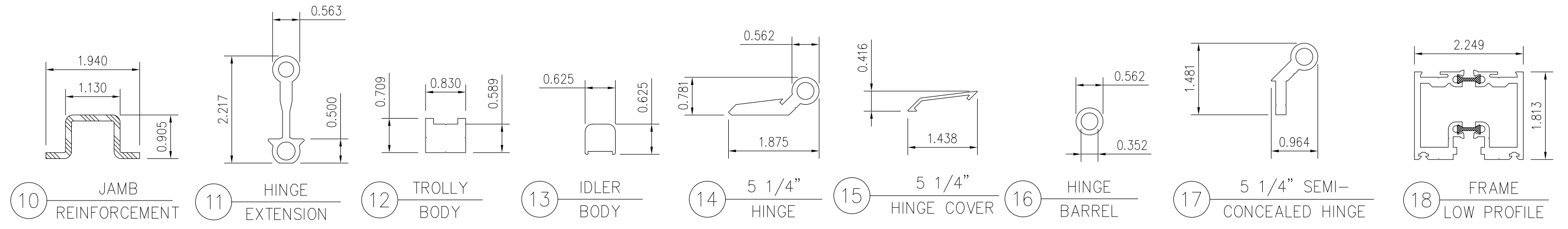
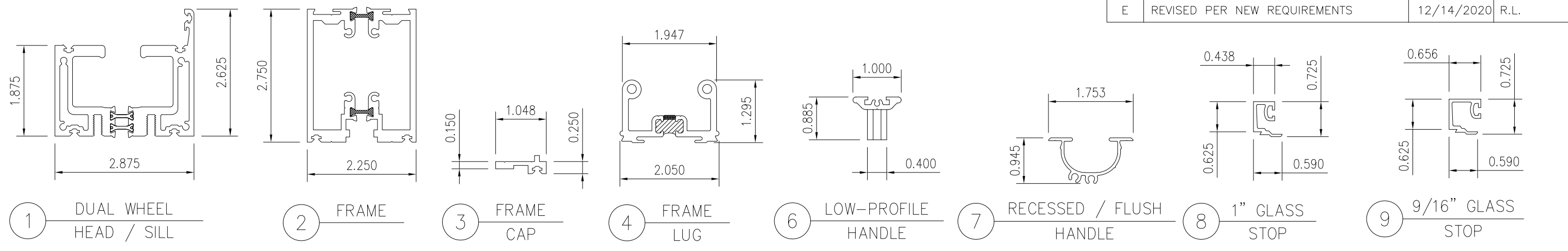
DRAWN: R.L.	DWG NO. 08-01793	REV E
SCALE NTS	DATE 09/19/12	SHEET 17 OF 18

L. ROBERTO LOMAS P.E.
 1432 WOODFORD RD LEWISVILLE, NC 27023
 434-688-0609 rllomas@lrlomaspe.com



Luis R. Lomas P.E.
 FL No.: 62514

REVISIONS			
REV	DESCRIPTION	DATE	APPROVED
E	REVISED PER NEW REQUIREMENTS	12/14/2020	R.L.



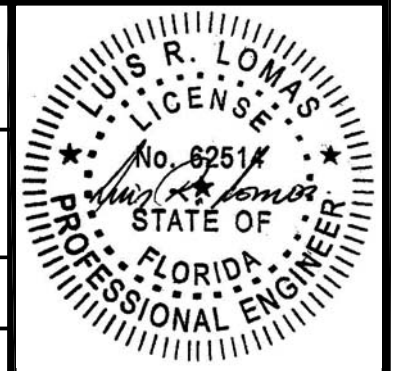
SOLAR INNOVATIONS, INC.
 31 ROBERTS RD
 PINE GROVE, PA 17963

SERIES SI3000 FGW 3X8 PANEL OUTFOLD
 ALUMINUM REINFORCED - IMPACT - HVHZ
 COMPONENTS

DRAWN: R.L.	DWG NO. 08-01793	REV E
SCALE NTS	DATE 09/19/12	SHEET 18 OF 18

L. ROBERTO LOMAS P.E.
 1432 WOODFORD RD LEWISVILLE, NC 27023
 434-688-0609 rllomas@rlomaspe.com

SIGNED: 12/18/2020



Luis R. Lomas P.E.
 FL No.: 62514