

REVISIONS			
REV	DESCRIPTION	DATE	APPROVED
E	REVISED PER NEW REQUIREMENTS	12/08/2020	R.L.


NOTES:

1. THE PRODUCT SHOWN HEREIN IS DESIGNED AND MANUFACTURED TO COMPLY WITH REQUIREMENTS OF THE FLORIDA BUILDING CODE INCLUDING THE HVHZ.
2. WOOD FRAMING AND MASONRY OPENING TO BE DESIGNED AND ANCHORED TO PROPERLY TRANSFER ALL LOADS TO STRUCTURE. FRAMING AND MASONRY OPENING IS THE RESPONSIBILITY OF THE ARCHITECT OR ENGINEER OF RECORD.
3. 1X BUCK OVER MASONRY/CONCRETE IS OPTIONAL. WHERE 1X BUCK IS NOT USED DISSIMILAR MATERIALS MUST BE SEPARATED WITH APPROVED COATING OR MEMBRANE. SELECTION OF COATING OR MEMBRANE IS THE RESPONSIBILITY OF THE ARCHITECT OR ENGINEER OF RECORD.
4. ALLOWABLE STRESS INCREASE OF 1/3 WAS NOT USED IN THE DESIGN OF THE PRODUCT SHOWN HEREIN. WIND LOAD DURATION FACTOR Cd=1.6 WAS USED FOR WOOD ANCHOR CALCULATIONS.
5. FRAME MATERIAL: ALUMINUM 6063-T5, 6063-T6 AND 6005A-T5.
6. UNITS MUST BE GLAZED PER ASTM E1300, SEE SHEET 11 FOR GLASS DETAILS.
7. APPROVED IMPACT PROTECTIVE SYSTEM IS NOT REQUIRED FOR THIS PRODUCT IN WIND BORNE DEBRIS REGIONS.
8. SHIM AS REQUIRED AT EACH INSTALLATION ANCHOR WITH LOAD BEARING SHIM. SHIM WHERE SPACE OF 1/16" OR GREATER OCCURS. MAXIMUM ALLOWABLE SHIM STACK TO BE 1/4".
9. FOR ANCHORING INTO WOOD FRAMING OR 2X BUCK USE #14 WOOD SCREWS WITH SUFFICIENT LENGTH TO ACHIEVE A 1 3/4" MINIMUM EMBEDMENT INTO SUBSTRATE. LOCATE ANCHORS AS SHOWN IN ELEVATIONS AND INSTALLATION DETAILS.
10. FOR ANCHORING INTO MASONRY/CONCRETE USE 1/4" TAPCONS WITH SUFFICIENT LENGTH TO ACHIEVE A 1 1/4" MINIMUM EMBEDMENT INTO SUBSTRATE WITH 2" MINIMUM EDGE DISTANCE. LOCATE ANCHORS AS SHOWN IN ELEVATIONS AND INSTALLATION DETAILS.
11. FOR ANCHORING INTO METAL STRUCTURE USE #14 SMS OR SELF DRILLING SCREWS WITH SUFFICIENT LENGTH TO ACHIEVE 3 THREADS MINIMUM BEYOND STRUCTURE INTERIOR WALL. LOCATE ANCHORS AS SHOWN IN ELEVATIONS AND INSTALLATION DETAILS.
12. ALL FASTENERS TO BE CORROSION RESISTANT.
13. INSTALLATION ANCHORS SHALL BE INSTALLED IN ACCORDANCE WITH ANCHOR MANUFACTURER'S INSTALLATION INSTRUCTIONS AND ANCHORS SHALL NOT BE USED IN SUBSTRATES WITH STRENGTHS LESS THAN THE MINIMUM STRENGTH SPECIFIED BELOW:
 - A. WOOD – MINIMUM SPECIFIC GRAVITY OF G=0.42
 - B. CONCRETE – MINIMUM COMPRESSIVE STRENGTH OF 3,000 PSI.
 - C. MASONRY – STRENGTH CONFORMANCE TO ASTM C-90, GRADE N, TYPE 1 (OR GREATER).
 - D. METAL STRUCTURE: STEEL 18GA, 33KSI OR ALUMINUM 6063-T5 .125" THICK MINIMUM

SIGNED: 12/14/2020

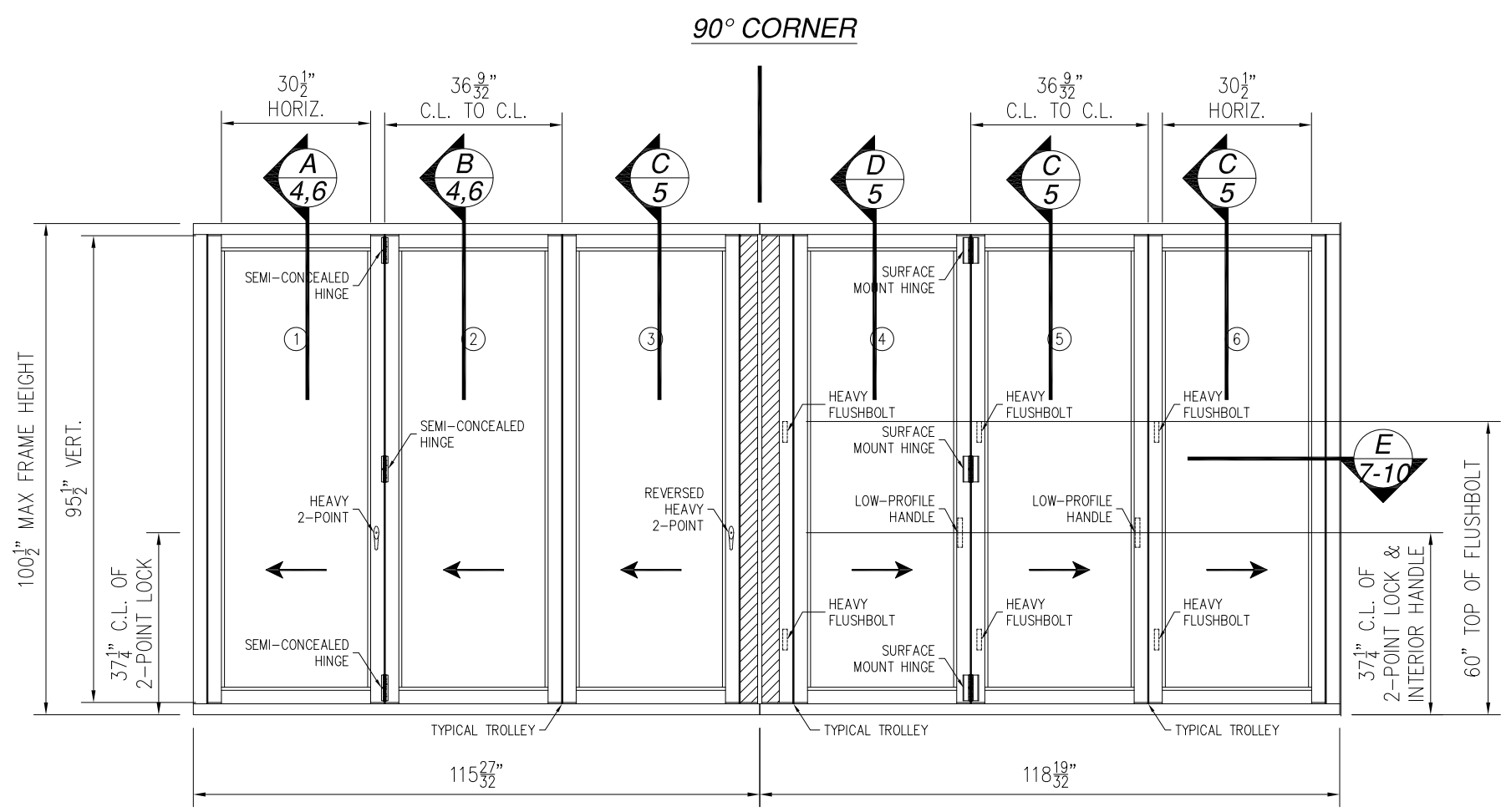
TABLE OF CONTENTS	
SHEET NO.	DESCRIPTION
1	NOTES
2	ELEVATION
3	ANCHORING LAYOUT AND DESIGN PRESSURE CHARTS
4 – 10	CROSS SECTIONS
11	GLAZING DETAILS
12-14	INSTALLATION DETAILS
15	WEEP DETAILS
16	COMPONENTS

SOLAR INNOVATIONS, INC. 31 ROBERTS RD. PINE GROVE, PA 17963		
SERIES SI3000 FGW 3X8 PANEL 90° CORNER NO POST INFOLD-IMPACT NOTES		
DRAWN: R.L.	DWG NO. 08-01794	REV E
SCALE NTS	DATE 09/19/12	SHEET 1 OF 16
L. ROBERTO LOMAS P.E. 1432 WOODFORD RD LEWISVILLE, NC 27023 434-688-0609 rllomas@lrlomaspe.com		



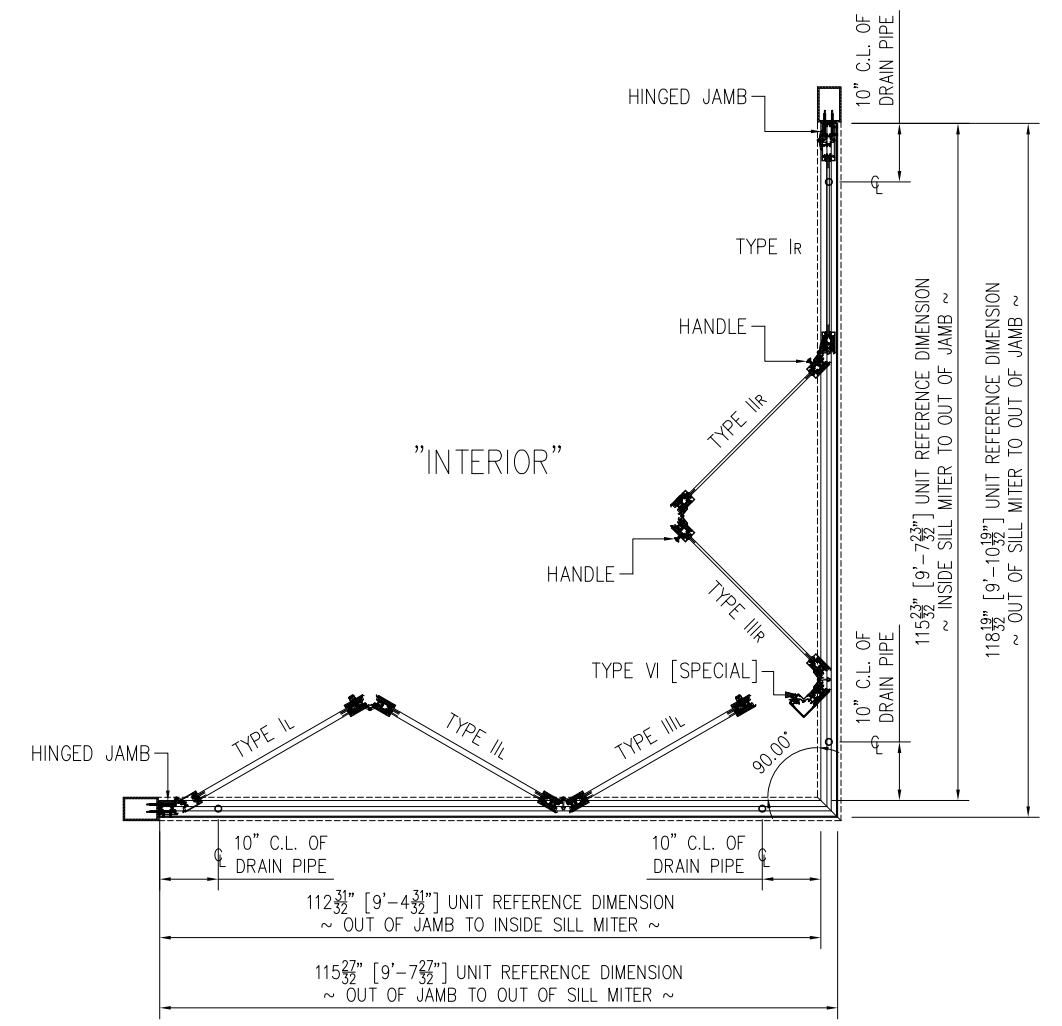
Luis R. Lomas P.E.
FL No.: 62514

REVISIONS			
REV	DESCRIPTION	DATE	APPROVED
E	REVISED PER NEW REQUIREMENTS	12/08/2020	R.L.



SERIES SI3000 FGW 3X8 PANEL 90° CORNER NO POST INFOLD

EXTERIOR VIEW
 UNLIMITED NUMBER OF PANELS IN UNLIMITED CONFIGURATION ARE APPROVED
 AS LONG AS INDIVIDUAL PANEL AREA DOES NOT EXCEED 24.06 FT² AND USES VERTICAL CONDITIONS AS
 SHOWN.



SERIES SI3000 FGW 3X8 PANEL 90° CORNER NO POST INFOLD

PLAN VIEW

DESIGN PRESSURE RATING	IMPACT RATING
+60.0/-80.0PSF	LARGE AND SMALL MISSILE IMPACT

MISSILE LEVEL D, WIND ZONE 4, AND HVHZ
 WHERE WATER RESISTANCE IS REQUIRED
 SEE CHART #1 SHEET 3

DESIGN PRESSURE RATING	IMPACT RATING
±80.0PSF	LARGE AND SMALL MISSILE IMPACT

MISSILE LEVEL D, WIND ZONE 4, AND HVHZ
 WHERE WATER RESISTANCE IS NOT REQUIRED
 SEE CHART #2 SHEET 3

DESIGN PRESSURE RATING	IMPACT RATING
+60.0/-70.0PSF	LARGE AND SMALL MISSILE IMPACT

MISSILE LEVEL D, WIND ZONE 4, AND HVHZ
 WITH FLUSH SILL, SEE CHART #3 SHEET 3

DESIGN PRESSURE RATING	IMPACT RATING
+60.0/-70.0PSF	LARGE AND SMALL MISSILE IMPACT

MISSILE LEVEL D, WIND ZONE 4, AND HVHZ
 WITH NON-THERMAL PANELS
 SEE CHART #3 SHEET 3

HARDWARE SCHEDULE

- A. SEMI- CONCEALED HINGE BY SOLAR INNOVATIONS
- B 2 POINT HANDLE & LOCK MS000487-XX BY SOLAR INNOVATIONS
- C HEAVY FLUSH BOLTS MD000442-00-XX BY SOLAR INNOVATIONS

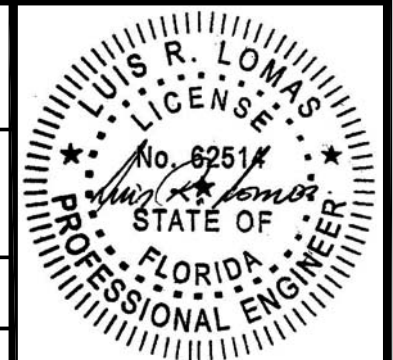
SIGNED: 12/14/2020

SOLAR INNOVATIONS, INC.
 31 ROBERTS RD.
 PINE GROVE, PA 17963

SERIES SI3000 FGW 3X8 PANEL 90° CORNER
 NO POST INFOLD-IMPACT
 ELEVATION

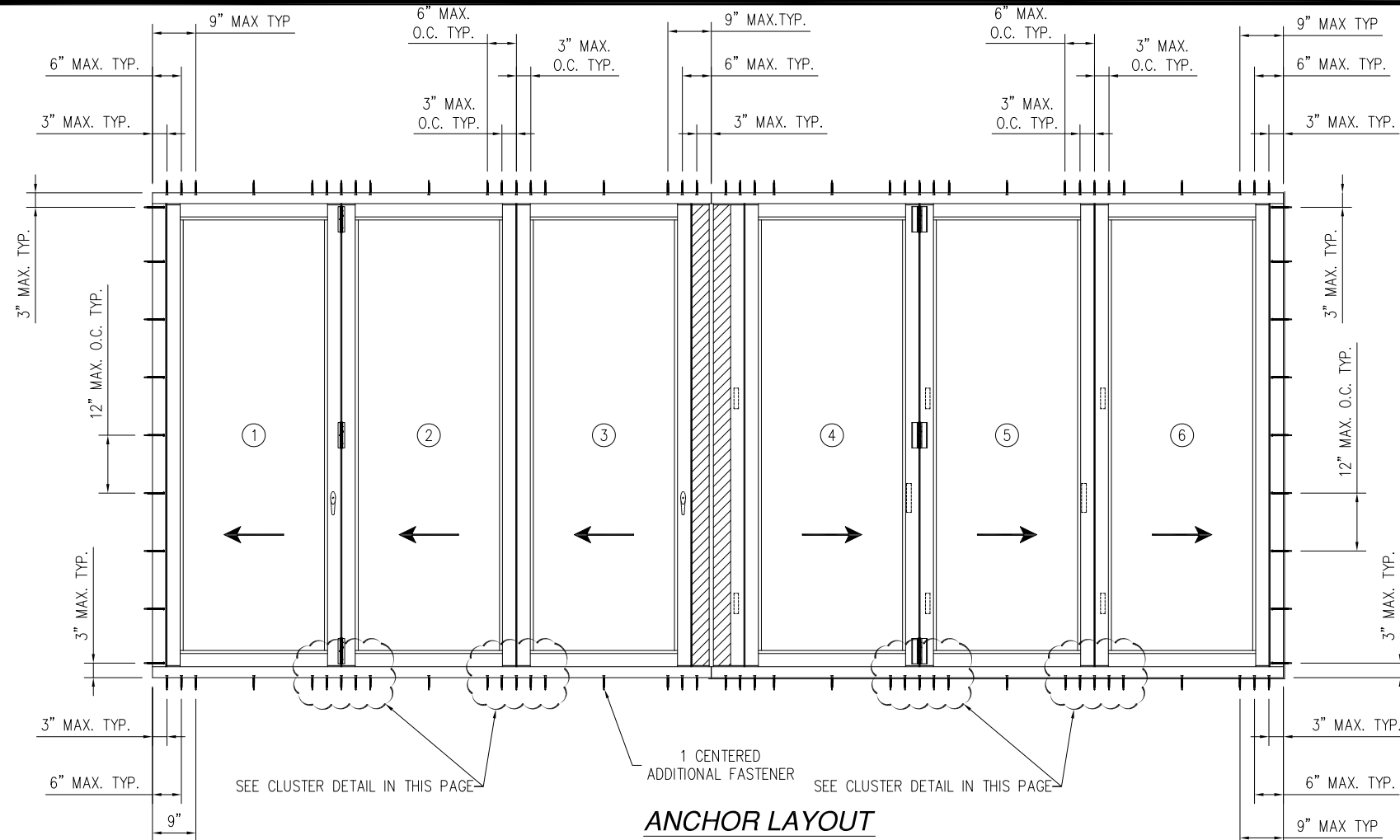
DRAWN: R.L.	DWG NO. 08-01794	REV E
SCALE NTS	DATE 09/19/12	SHEET 2 OF 16

L. ROBERTO LOMAS P.E.
 1432 WOODFORD RD LEWISVILLE, NC 27023
 434-688-0609 rllomas@rlomaspe.com

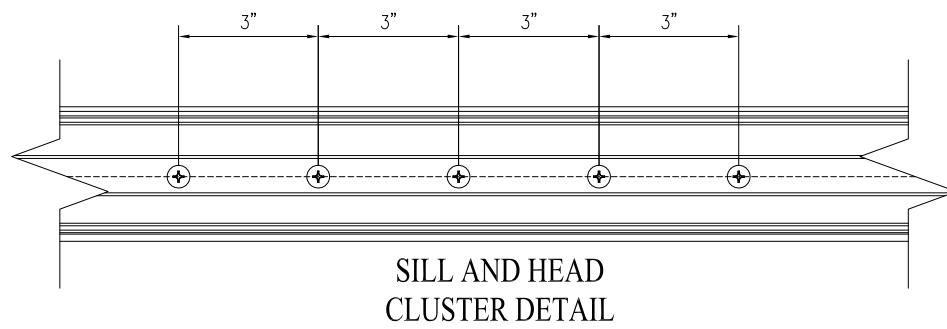


Luis R. Lomas P.E.
 FL No.: 62514

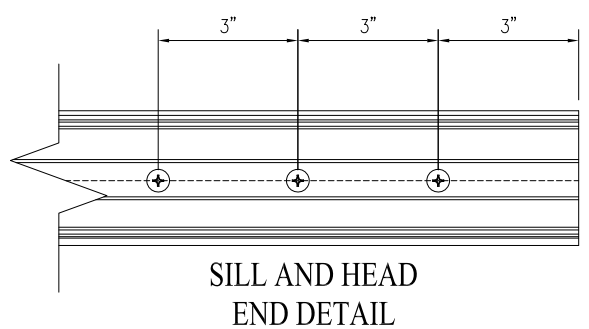
REVISIONS			
REV	DESCRIPTION	DATE	APPROVED
E	REVISED PER NEW REQUIREMENTS	12/08/2020	R.L.



ANCHOR LAYOUT
APPLICABLE TO ALL CONFIGURATIONS.



SILL AND HEAD
CLUSTER DETAIL



SILL AND HEAD
END DETAIL

Chart # 1
Maximum Design pressure (psf)

Panel Height (in)	Single Panel Width (in)									
	24.0		30.0		36.281		42.0		44.0	
	Pos	Neg	Pos	Neg	Pos	Neg	Pos	Neg	Pos	Neg
78.0	60.0	80.0	60.0	80.0	60.0	80.0	60.0	80.0	60.0	80.0
84.0	60.0	80.0	60.0	80.0	60.0	80.0	-	-	-	-
90.0	60.0	80.0	60.0	80.0	60.0	80.0	-	-	-	-
95.5	60.0	80.0	60.0	80.0	60.0	80.0	-	-	-	-
96.0	60.0	80.0	60.0	80.0	-	-	-	-	-	-
102.0	60.0	80.0	60.0	77.5	-	-	-	-	-	-
108.0	60.0	80.0	60.0	65.1	-	-	-	-	-	-
114.0	60.0	68.3	55.2	55.2	-	-	-	-	-	-
120.0	58.4	58.4	-	-	-	-	-	-	-	-
126.0	50.4	50.4	-	-	-	-	-	-	-	-
132.0	43.8	43.8	-	-	-	-	-	-	-	-
138.0	38.3	38.3	-	-	-	-	-	-	-	-
144.0	33.6	33.6	-	-	-	-	-	-	-	-

Chart # 2
Maximum Design pressure (psf)

Panel Height (in)	Single Panel Width (in)									
	24.0		30.0		36.281		42.0		44.0	
	Pos	Neg	Pos	Neg	Pos	Neg	Pos	Neg	Pos	Neg
78.0	80.0	80.0	80.0	80.0	80.0	80.0	80.0	80.0	80.0	80.0
84.0	80.0	80.0	80.0	80.0	80.0	80.0	-	-	-	-
90.0	80.0	80.0	80.0	80.0	80.0	80.0	-	-	-	-
95.5	80.0	80.0	80.0	80.0	80.0	80.0	-	-	-	-
96.0	80.0	80.0	80.0	80.0	-	-	-	-	-	-
102.0	80.0	80.0	77.5	77.5	-	-	-	-	-	-
108.0	80.0	80.0	65.1	65.1	-	-	-	-	-	-
114.0	68.3	68.3	55.2	55.2	-	-	-	-	-	-
120.0	58.4	58.4	-	-	-	-	-	-	-	-
126.0	50.4	50.4	-	-	-	-	-	-	-	-
132.0	43.8	43.8	-	-	-	-	-	-	-	-
138.0	38.3	38.3	-	-	-	-	-	-	-	-
144.0	33.6	33.6	-	-	-	-	-	-	-	-

Chart # 3
Maximum Design pressure (psf)

Panel Height (in)	Single Panel Width (in)									
	24.0		30.0		36.281		42.0		44.0	
	Pos	Neg	Pos	Neg	Pos	Neg	Pos	Neg	Pos	Neg
78.0	60.0	80.0	60.0	80.0	60.0	80.0	60.0	74.0	60.0	70.7
84.0	60.0	80.0	60.0	80.0	60.0	79.6	-	-	-	-
90.0	60.0	80.0	60.0	80.0	60.0	74.3	-	-	-	-
95.5	60.0	80.0	60.0	80.0	60.0	70.0	-	-	-	-
96.0	60.0	80.0	60.0	80.0	-	-	-	-	-	-
102.0	60.0	80.0	60.0	67.9	-	-	-	-	-	-
108.0	60.0	70.4	56.9	56.9	-	-	-	-	-	-
114.0	59.7	59.7	48.3	48.3	-	-	-	-	-	-
120.0	51.1	51.1	-	-	-	-	-	-	-	-
126.0	44.1	44.1	-	-	-	-	-	-	-	-
132.0	38.3	38.3	-	-	-	-	-	-	-	-
138.0	33.5	33.5	-	-	-	-	-	-	-	-
144.0	29.4	29.4	-	-	-	-	-	-	-	-

SOLAR INNOVATIONS, INC.
31 ROBERTS RD.
PINE GROVE, PA 17963

SERIES SI3000 FGW 3X8 PANEL 90° CORNER
NO POST INFOLD-IMPACT
ANCHORING LAYOUT AND DESIGN PRESSURE CHARTS

DRAWN: R.L. DWG NO. 08-01794 REV E

SCALE NTS DATE 09/19/12 SHEET 3 OF 16

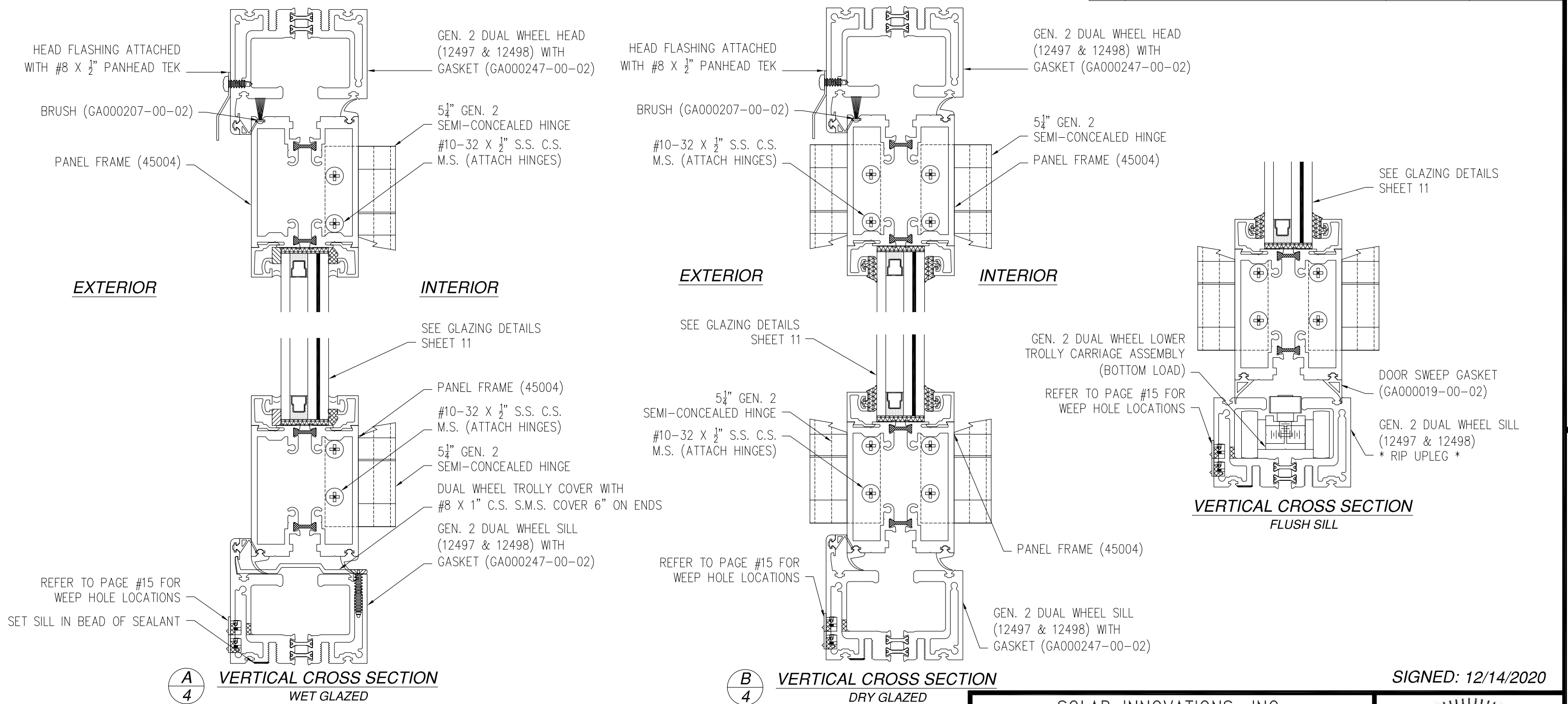
L. ROBERTO LOMAS P.E.
1432 WOODFORD RD LEWISVILLE, NC 27023
434-688-0609 rllomas@rlomaspe.com

SIGNED: 12/14/2020

Luis R. Lomas P.E.
FL No.: 62514

FOR ILLUSTRATION PURPOSES ONLY
FOR INSTALLATION DETAILS REFER TO SHEETS 12 - 14

REVISIONS			
REV	DESCRIPTION	DATE	APPROVED
E	REVISED PER NEW REQUIREMENTS	12/08/2020	R.L.



SOLAR INNOVATIONS, INC.
 31 ROBERTS RD.
 PINE GROVE, PA 17963

SERIES SI3000 FGW 3X8 PANEL 90° CORNER
 NO POST INFOLD-IMPACT
 VERTICAL CROSS SECTIONS

DRAWN: R.L.	DWG NO. 08-01794	REV E
SCALE NTS	DATE 09/19/12	SHEET 4 OF 16

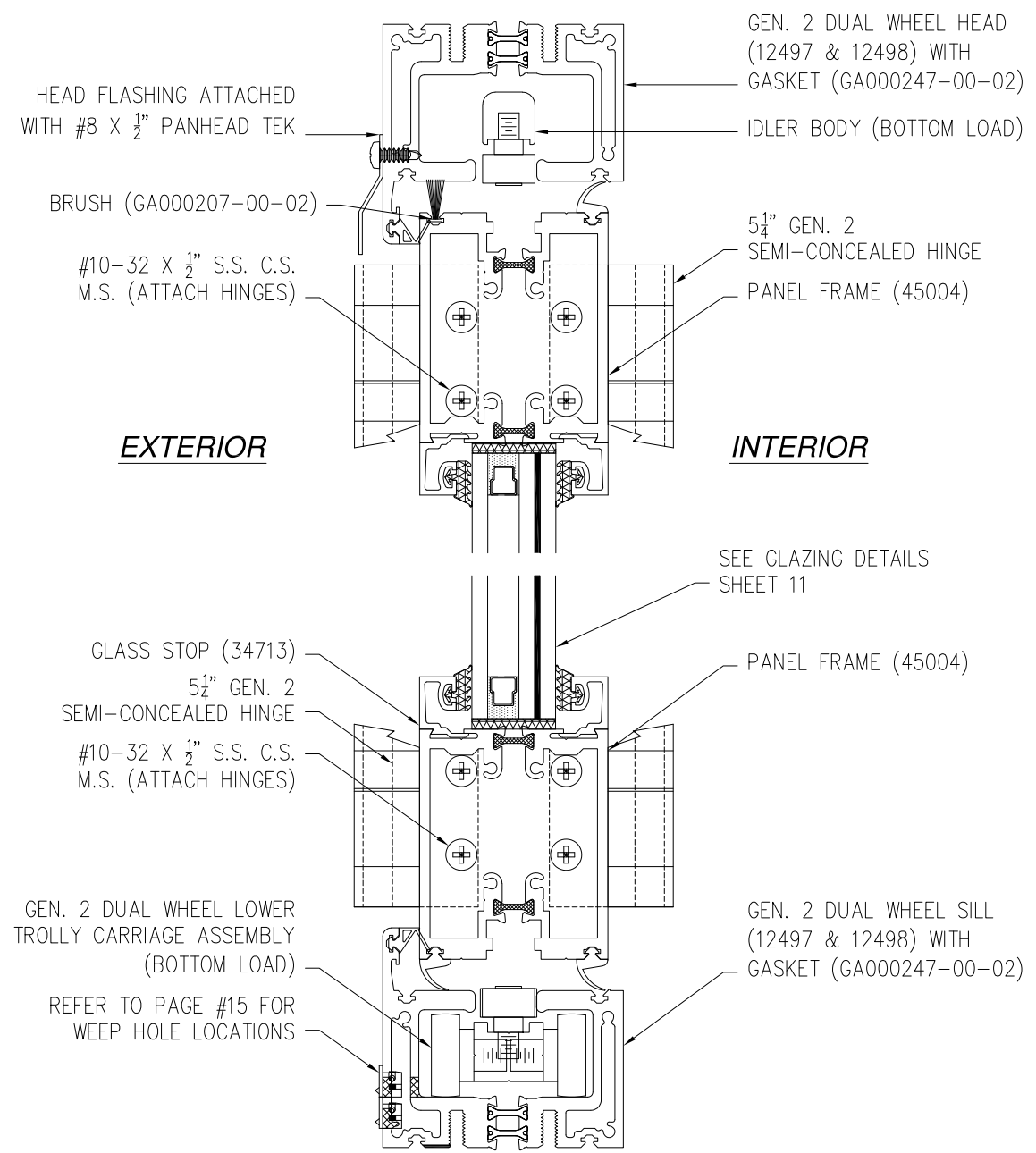
L. ROBERTO LOMAS P.E.
 1432 WOODFORD RD LEWISVILLE, NC 27023
 434-688-0609 rllomas@rlomaspe.com

SIGNED: 12/14/2020

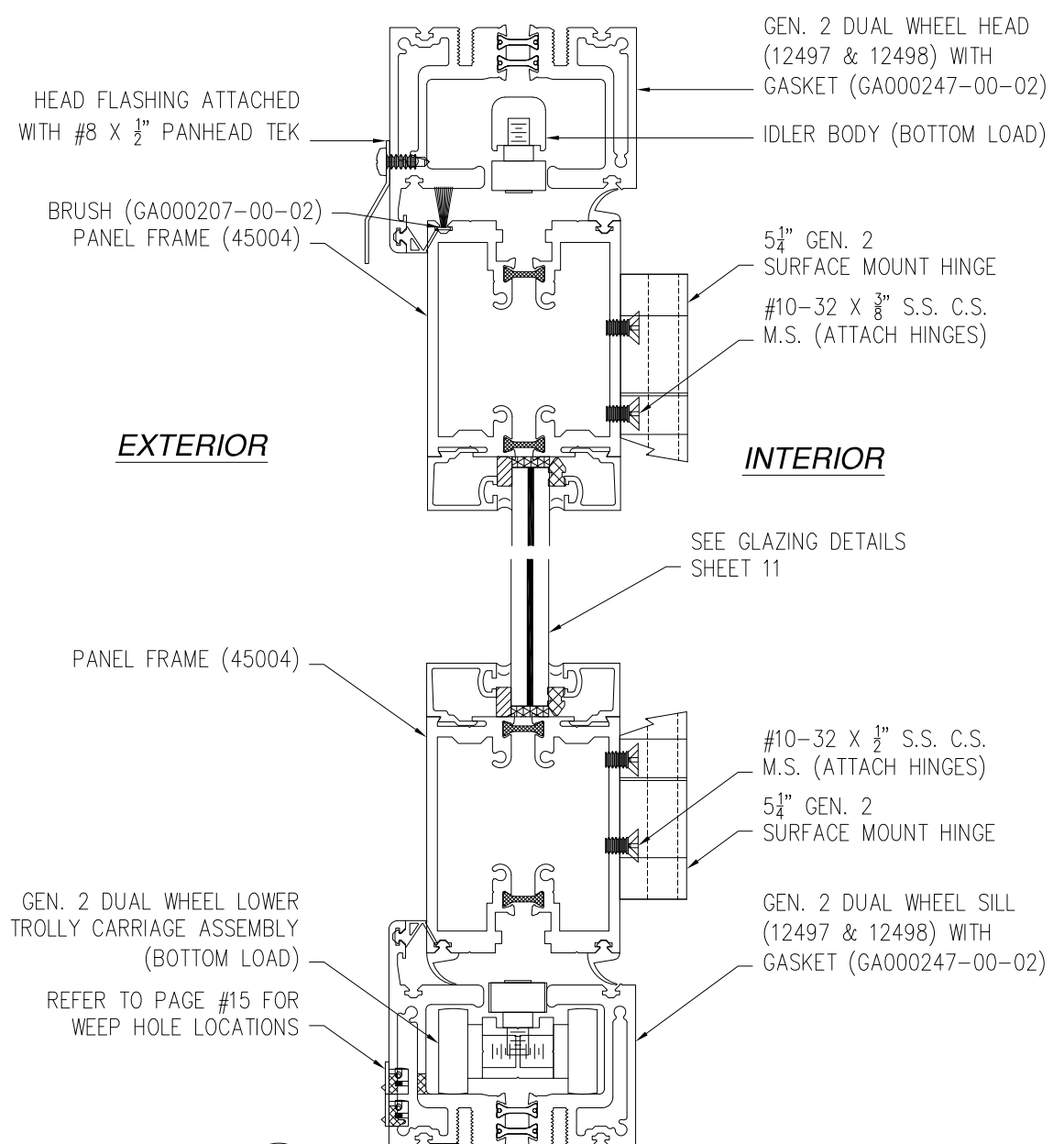
Luis R. Lomas P.E.
 FL No.: 62514

FOR ILLUSTRATION PURPOSES ONLY
FOR INSTALLATION DETAILS REFER TO SHEETS 12 - 14

REVISIONS			
REV	DESCRIPTION	DATE	APPROVED
E	REVISED PER NEW REQUIREMENTS	12/08/2020	R.L.



C
5
VERTICAL CROSS SECTION
 DRY GLAZED BOTTOM LOAD



D
5
VERTICAL CROSS SECTION
 WET GLAZED BOTTOM LOAD

SOLAR INNOVATIONS, INC.
 31 ROBERTS RD.
 PINE GROVE, PA 17963

SERIES SI3000 FGW 3X8 PANEL 90° CORNER
 NO POST INFOLD-IMPACT
 VERTICAL CROSS SECTIONS

DRAWN: R.L.	DWG NO. 08-01794	REV E
SCALE NTS	DATE 09/19/12	SHEET 5 OF 16

L. ROBERTO LOMAS P.E.
 1432 WOODFORD RD LEWISVILLE, NC 27023
 434-688-0609 rllomas@rlomaspe.com

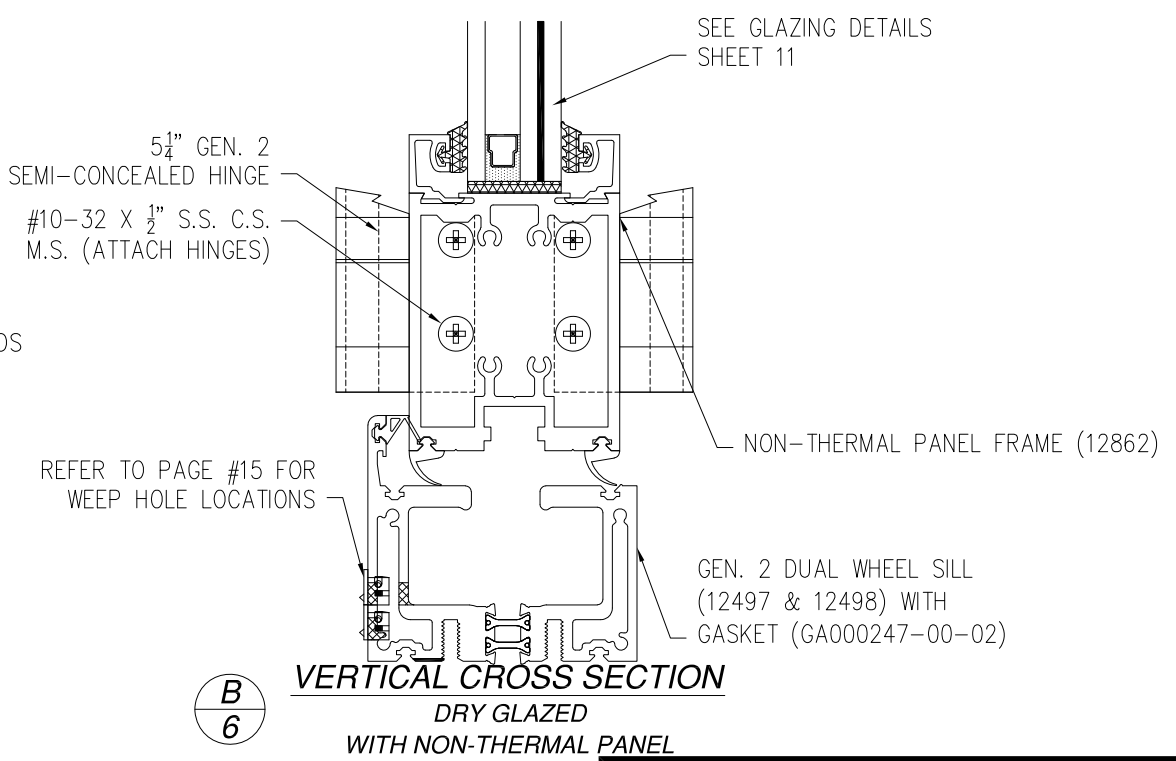
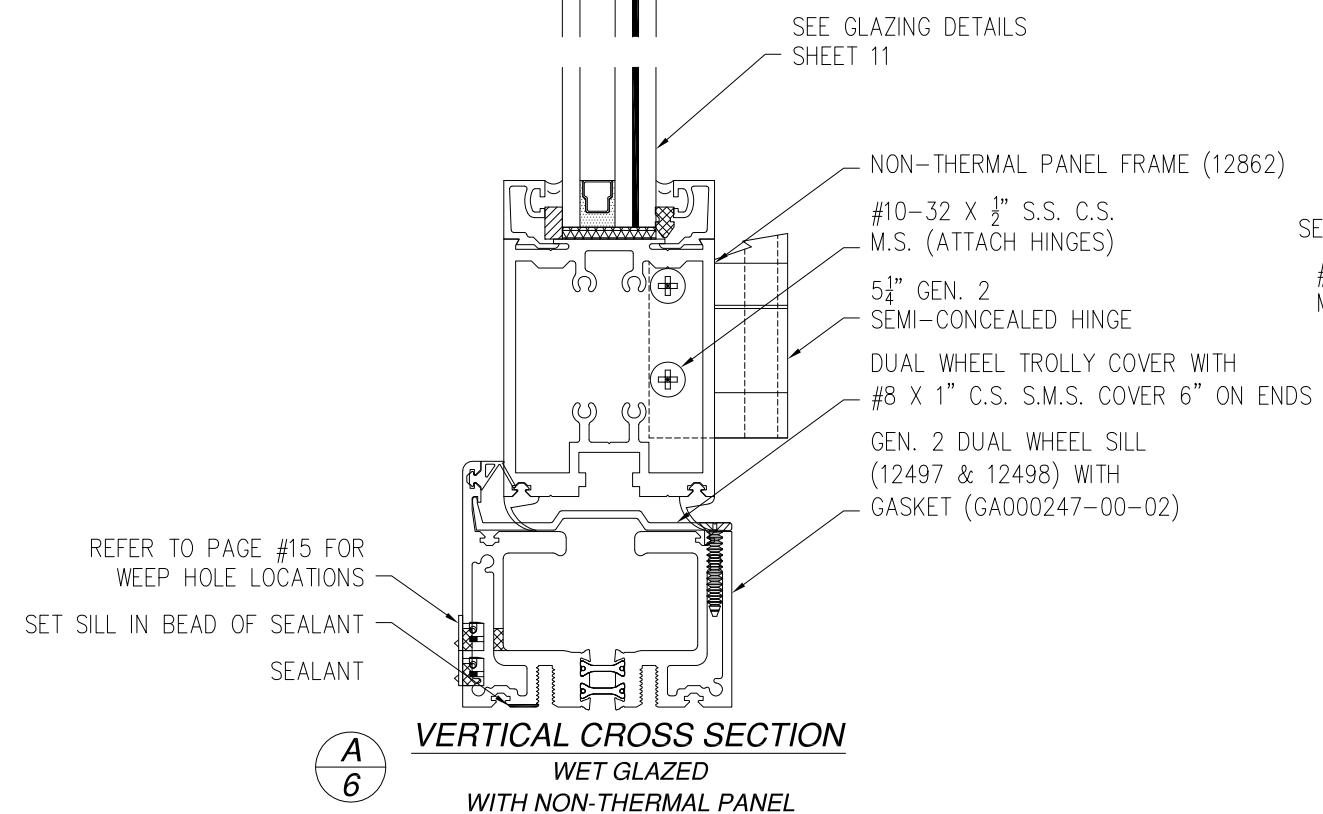
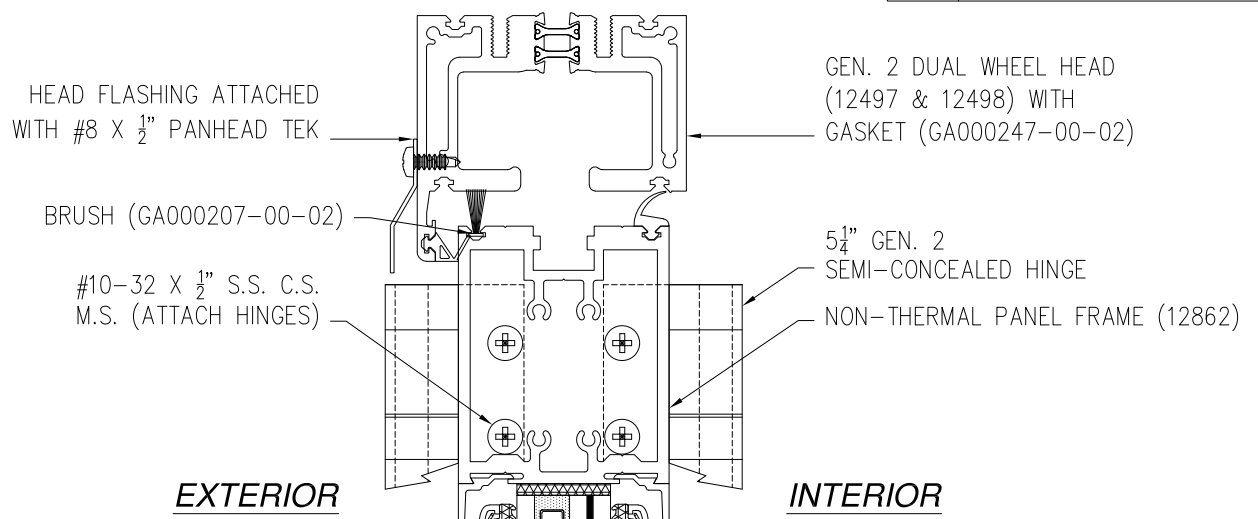
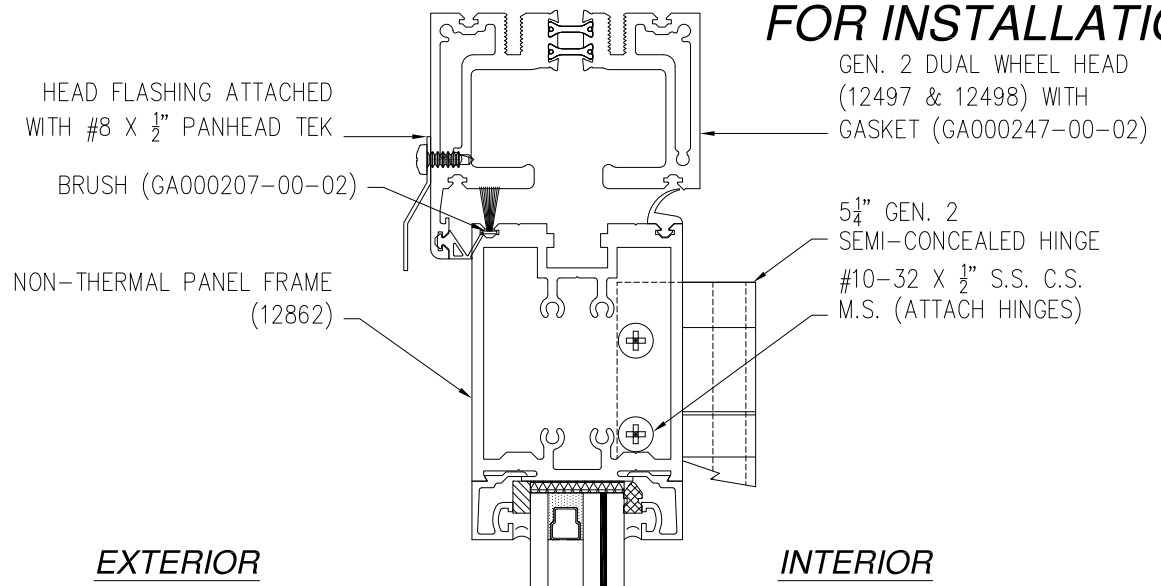
SIGNED: 12/14/2020



Luis R. Lomas P.E.
 FL No.: 62514

FOR ILLUSTRATION PURPOSES ONLY
FOR INSTALLATION DETAILS REFER TO SHEETS 12 - 14

REVISIONS			
REV	DESCRIPTION	DATE	APPROVED
E	REVISED PER NEW REQUIREMENTS	12/08/2020	R.L.



A
6

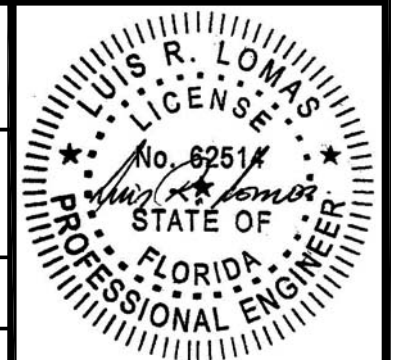
VERTICAL CROSS SECTION
 WET GLAZED
 WITH NON-THERMAL PANEL

B
6

VERTICAL CROSS SECTION
 DRY GLAZED
 WITH NON-THERMAL PANEL

SIGNED: 12/14/2020

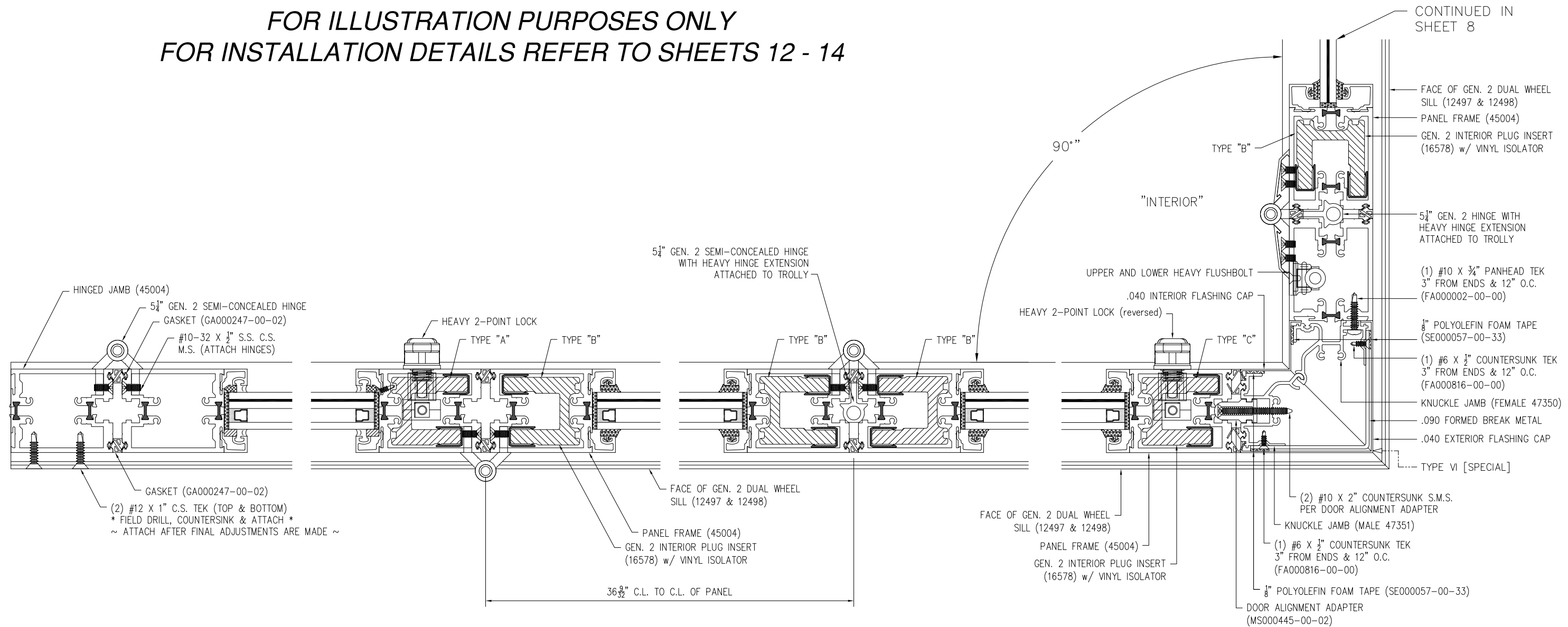
SOLAR INNOVATIONS, INC. 31 ROBERTS RD. PINE GROVE, PA 17963		
SERIES SI3000 FGW 3X8 PANEL 90° CORNER NO POST INFOLD-IMPACT VERTICAL CROSS SECTIONS		
DRAWN: R.L.	DWG NO. 08-01794	REV E
SCALE NTS	DATE 09/19/12	SHEET 6 OF 16
L. ROBERTO LOMAS P.E. 1432 WOODFORD RD LEWISVILLE, NC 27023 434-688-0609 rllomas@rlomaspe.com		



Luis R. Lomas P.E.
 FL No.: 62514

REVISIONS			
REV	DESCRIPTION	DATE	APPROVED
E	REVISED PER NEW REQUIREMENTS	12/08/2020	R.L.

FOR ILLUSTRATION PURPOSES ONLY
FOR INSTALLATION DETAILS REFER TO SHEETS 12 - 14



E
7 HORIZONTAL CROSS SECTION

SIGNED: 12/14/2020

SOLAR INNOVATIONS, INC.
31 ROBERTS RD.
PINE GROVE, PA 17963

SERIES SI3000 FGW 3X8 PANEL 90° CORNER
NO POST INFOLD-IMPACT
HORIZONTAL CROSS SECTIONS (STANDARD PANEL)

DRAWN: R.L.	DWG NO. 08-01794	REV E
SCALE NTS	DATE 09/19/12	SHEET 7 OF 16

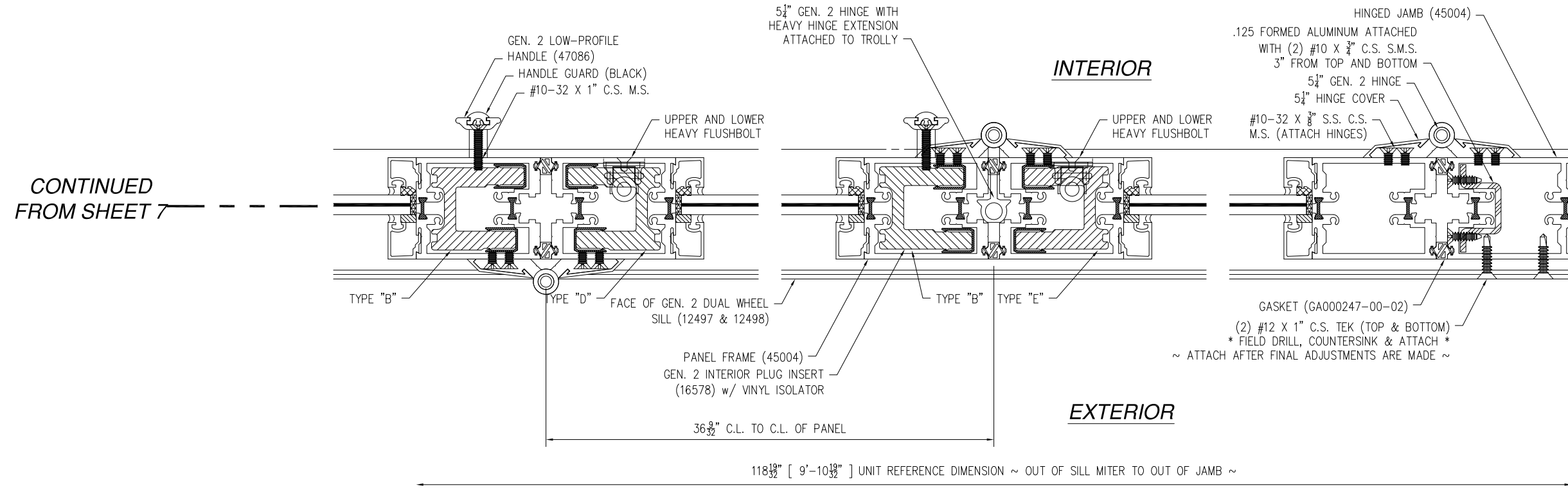
L. ROBERTO LOMAS P.E.
1432 WOODFORD RD LEWISVILLE, NC 27023
434-688-0609 rllomas@rlomaspe.com



Luis R. Lomas P.E.
FL No.: 62514

REVISIONS			
REV	DESCRIPTION	DATE	APPROVED
E	REVISED PER NEW REQUIREMENTS	12/08/2020	R.L.

**FOR ILLUSTRATION PURPOSES ONLY
FOR INSTALLATION DETAILS REFER TO SHEETS 12 - 14**



E/8 HORIZONTAL CROSS SECTION

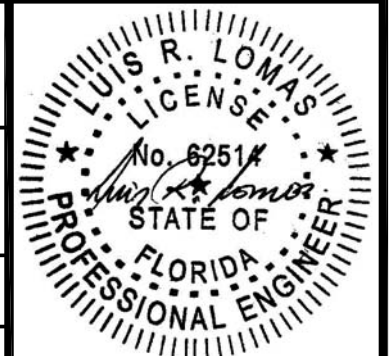
SIGNED: 12/14/2020

SOLAR INNOVATIONS, INC.
31 ROBERTS RD.
PINE GROVE, PA 17963

SERIES SI3000 FGW 3X8 PANEL 90° CORNER
NO POST INFOLD-IMPACT
HORIZONTAL CROSS SECTIONS (STANDARD PANEL)

DRAWN: R.L.	DWG NO. 08-01794	REV E
SCALE NTS	DATE 09/19/12	SHEET 8 OF 16

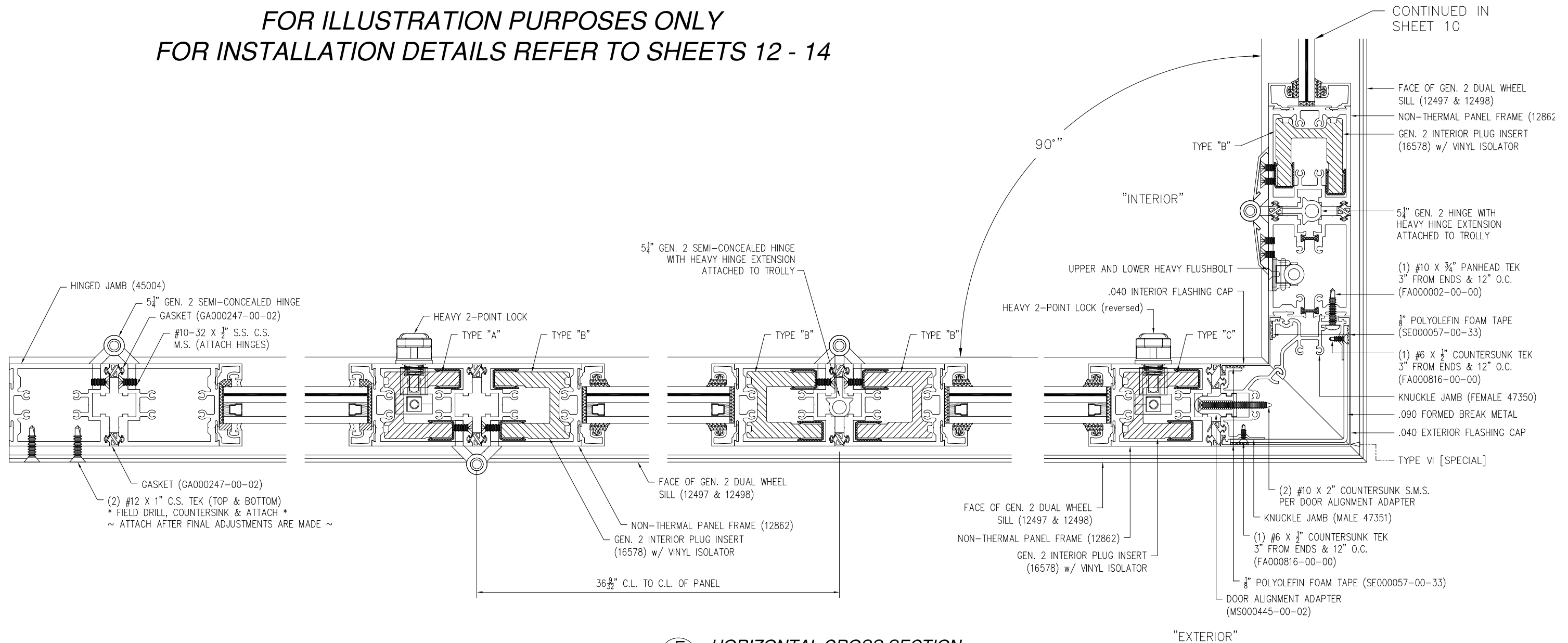
L. ROBERTO LOMAS P.E.
1432 WOODFORD RD LEWISVILLE, NC 27023
434-688-0609 rllomas@rlomaspe.com



Luis R. Lomas P.E.
FL No.: 62514

REVISIONS			
REV	DESCRIPTION	DATE	APPROVED
E	REVISED PER NEW REQUIREMENTS	12/08/2020	R.L.

FOR ILLUSTRATION PURPOSES ONLY
FOR INSTALLATION DETAILS REFER TO SHEETS 12 - 14



E
9 HORIZONTAL CROSS SECTION
NON-THERMAL

SIGNED: 12/14/2020

SOLAR INNOVATIONS, INC.
31 ROBERTS RD.
PINE GROVE, PA 17963

SERIES SI3000 FGW 3X8 PANEL 90° CORNER
NO POST INFOLD-IMPACT
HORIZONTAL CROSS SECTION (NON-THERMAL PANEL)

DRAWN: R.L.	DWG NO. 08-01794	REV E
SCALE NTS	DATE 09/19/12	SHEET 9 OF 16

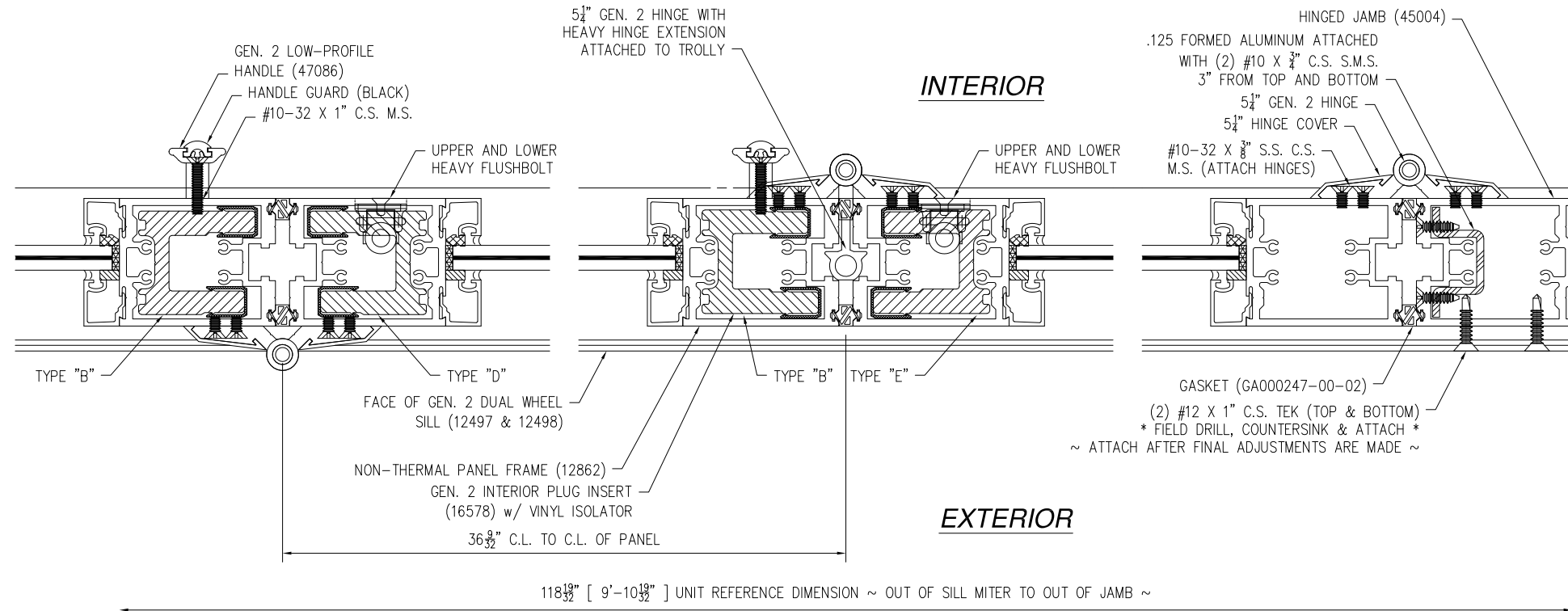
L. ROBERTO LOMAS P.E.
1432 WOODFORD RD LEWISVILLE, NC 27023
434-688-0609 rllomas@rlomaspe.com

PROFESSIONAL ENGINEER
L. ROBERTO LOMAS
No. 62514
STATE OF FLORIDA
Luis R. Lomas P.E.
FL No.: 62514

REVISIONS			
REV	DESCRIPTION	DATE	APPROVED
E	REVISED PER NEW REQUIREMENTS	12/08/2020	R.L.

**FOR ILLUSTRATION PURPOSES ONLY
FOR INSTALLATION DETAILS REFER TO SHEETS 12 - 14**

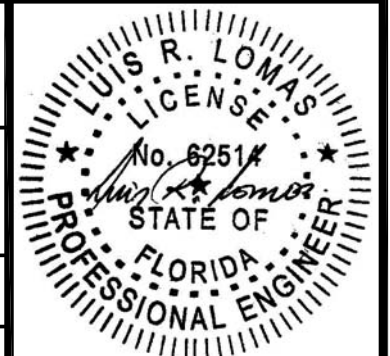
CONTINUED
FROM SHEET 9



E
10 **HORIZONTAL CROSS SECTION**

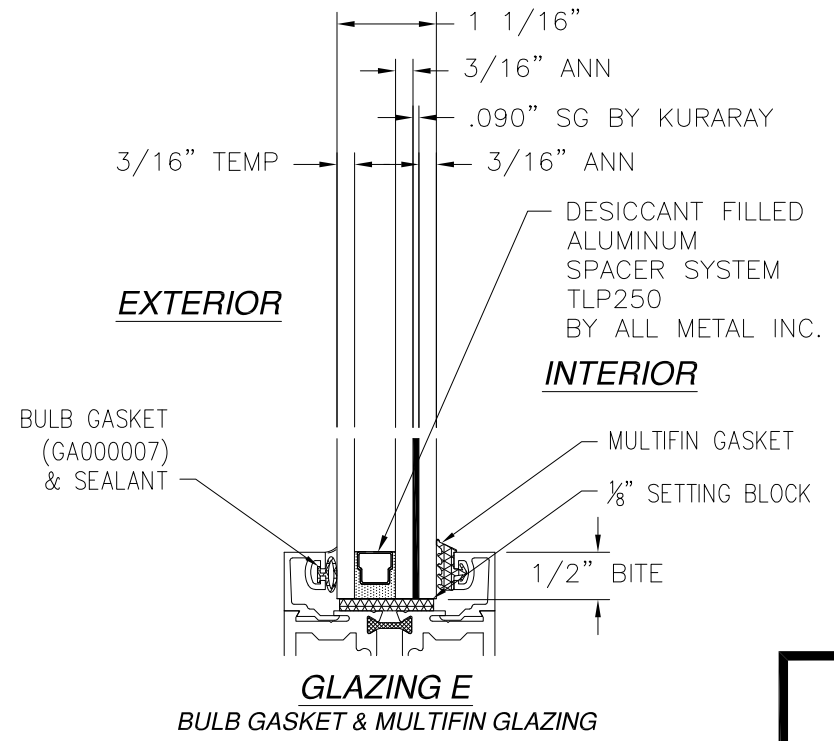
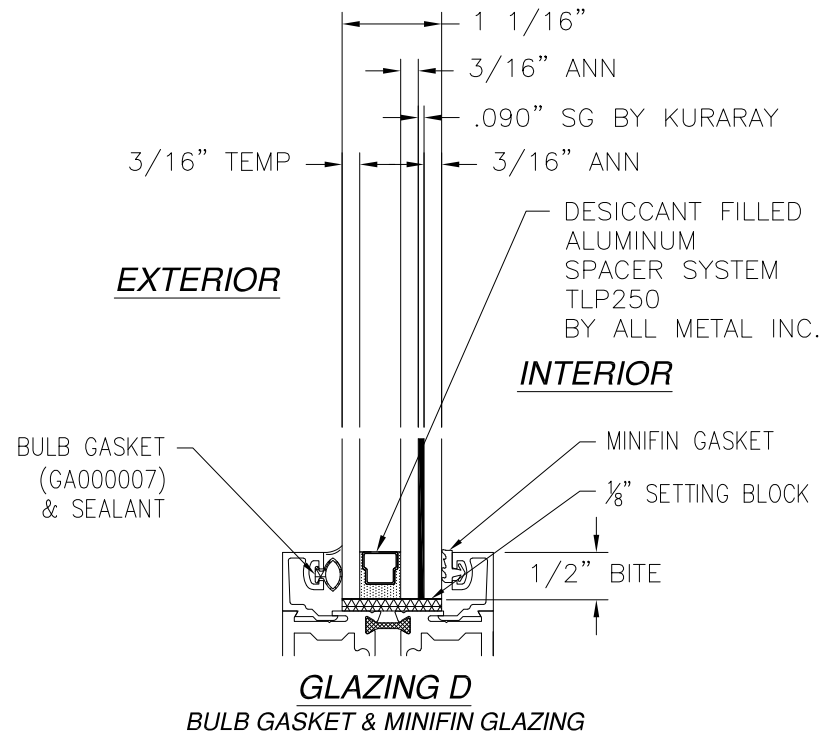
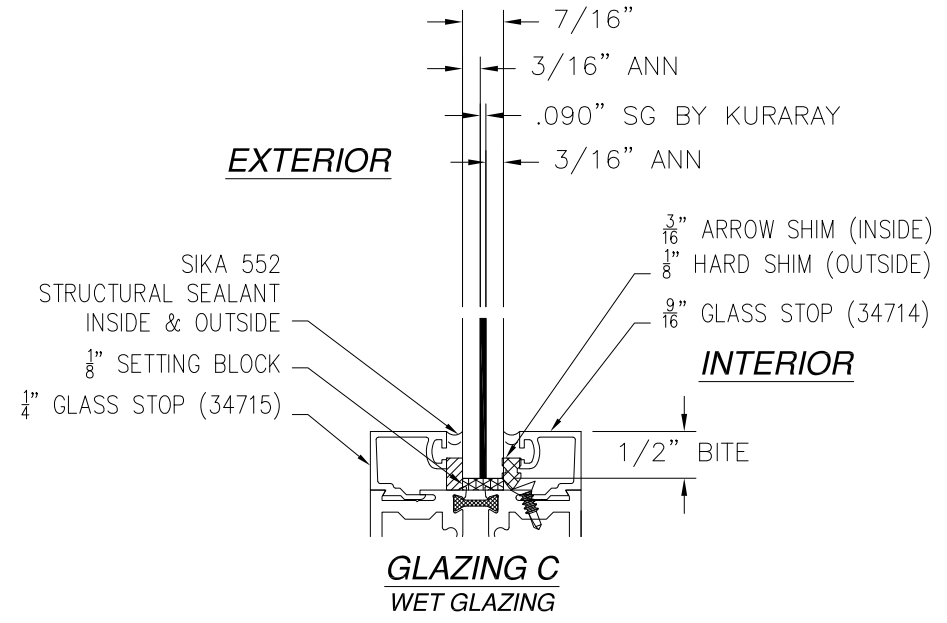
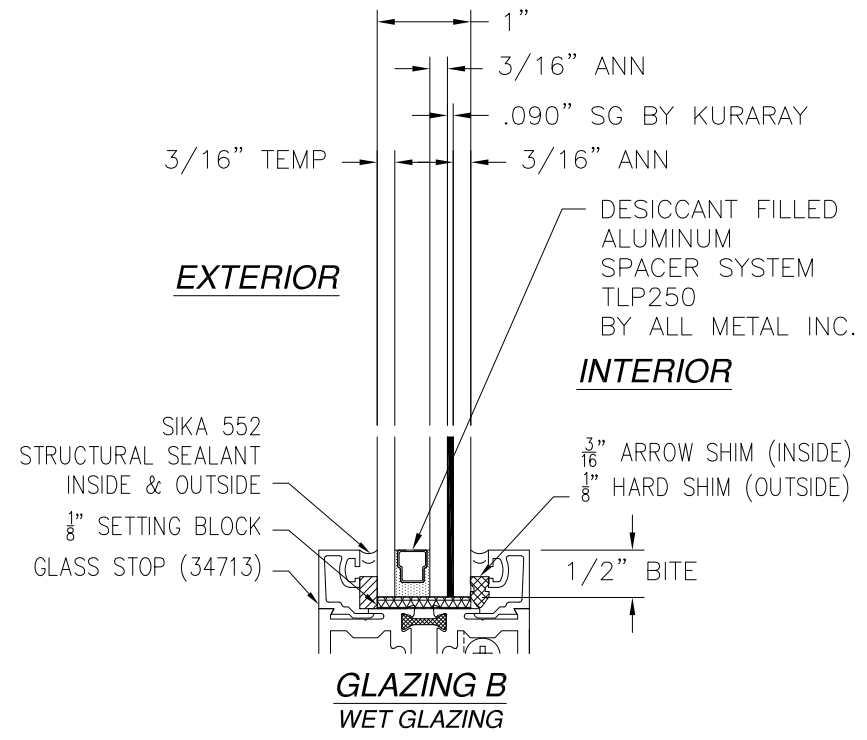
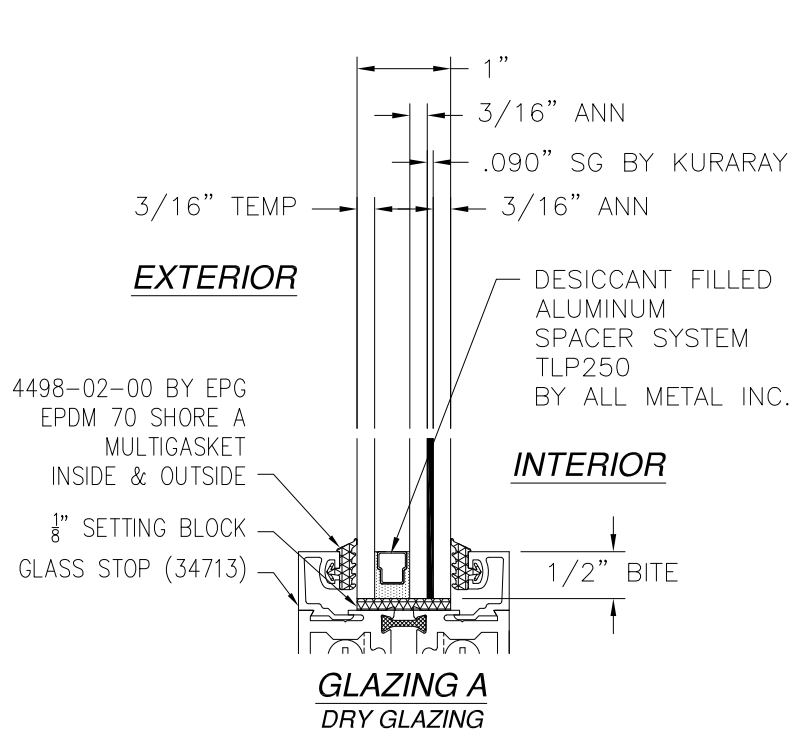
SIGNED: 12/14/2020

SOLAR INNOVATIONS, INC. 31 ROBERTS RD. PINE GROVE, PA 17963		
SERIES SI3000 FGW 3X8 PANEL 90° CORNER NO POST INFOLD-IMPACT HORIZONTAL CROSS SECTION (NON-THERMAL PANEL)		
DRAWN: R.L.	DWG NO. 08-01794	REV E
SCALE NTS	DATE 09/19/12	SHEET 10 OF 16
L. ROBERTO LOMAS P.E. 1432 WOODFORD RD LEWISVILLE, NC 27023 434-688-0609 rllomas@rlomaspe.com		



Luis R. Lomas P.E.
FL No.: 62514

REVISIONS			
REV	DESCRIPTION	DATE	APPROVED
E	REVISED PER NEW REQUIREMENTS	12/08/2020	R.L.



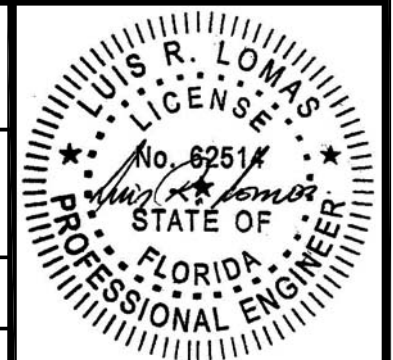
SOLAR INNOVATIONS, INC.
31 ROBERTS RD.
PINE GROVE, PA 17963

SERIES SI3000 FGW 3X8 PANEL 90° CORNER
NO POST INFOLD-IMPACT
GLAZING DETAILS

DRAWN: R.L.	DWG NO. 08-01794	REV E
SCALE NTS	DATE 09/19/12	SHEET 11 OF 16

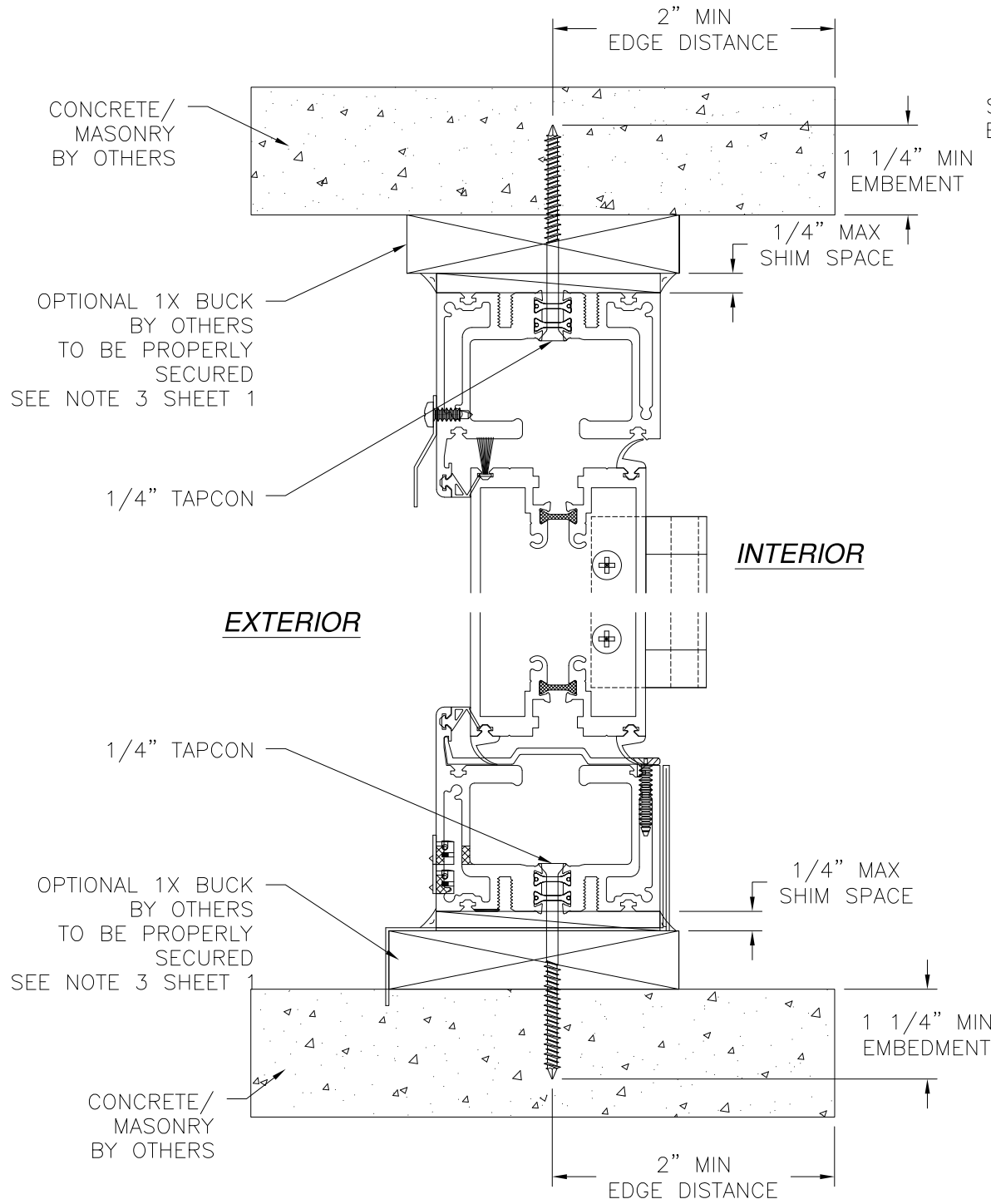
L. ROBERTO LOMAS P.E.
1432 WOODFORD RD LEWISVILLE, NC 27023
434-688-0609 rllomas@rlomaspe.com

SIGNED: 12/14/2020

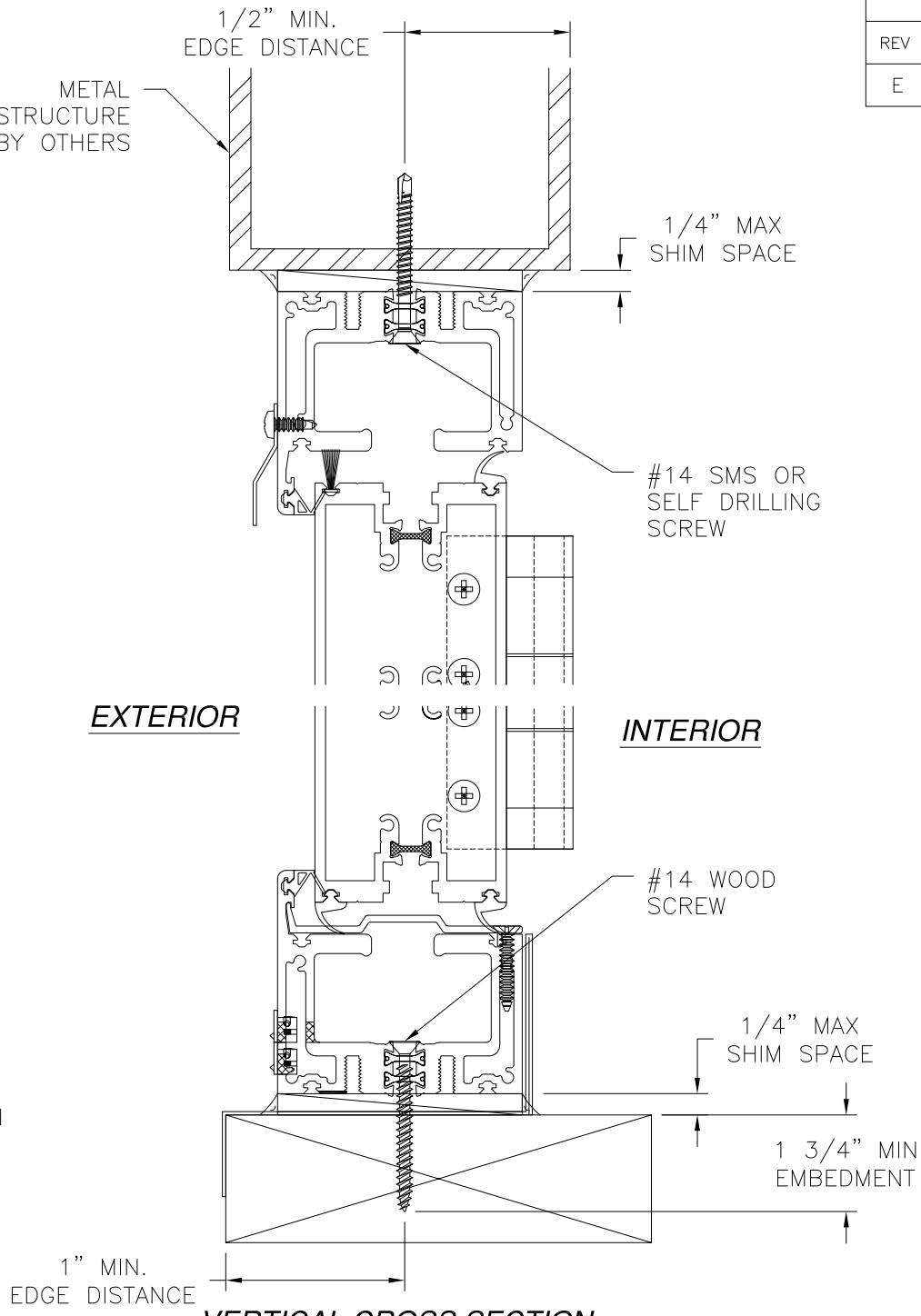


Luis R. Lomas P.E.
FL No.: 62514

REVISIONS			
REV	DESCRIPTION	DATE	APPROVED
E	REVISED PER NEW REQUIREMENTS	12/08/2020	R.L.



VERTICAL CROSS SECTION
 CONCRETE/MASONRY INSTALLATION
 STANDARD SILL SHOWN FLUSH SILL SIMILAR



VERTICAL CROSS SECTION
 WOOD FRAMING OR 2X BUCK
 OR METAL STRUCTURE INSTALLATION
 STANDARD SILL SHOWN FLUSH SILL SIMILAR

NOTES:
 1. INTERIOR AND EXTERIOR FINISHES, BY OTHERS, NOT SHOWN FOR CLARITY.
 2. PERIMETER AND JOINT SEALANT BY OTHERS TO BE DESIGNED IN ACCORDANCE WITH ASTM E2112

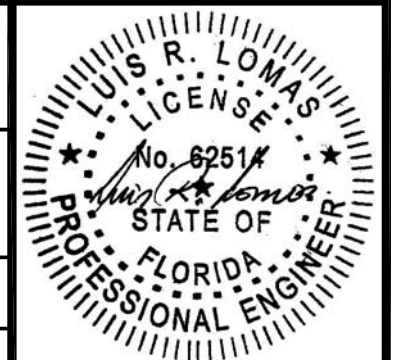
SOLAR INNOVATIONS, INC.
 31 ROBERTS RD.
 PINE GROVE, PA 17963

SERIES SI3000 FGW 3X8 PANEL 90° CORNER
 NO POST INFOLD-IMPACT
 INSTALLATION INSTRUCTIONS

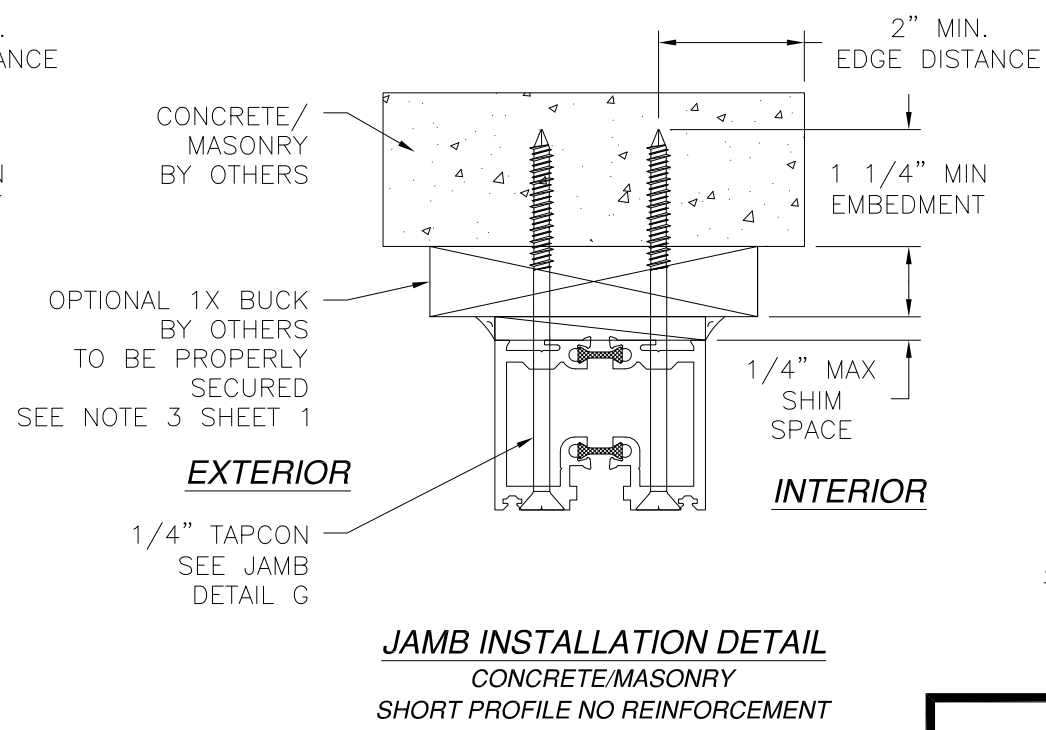
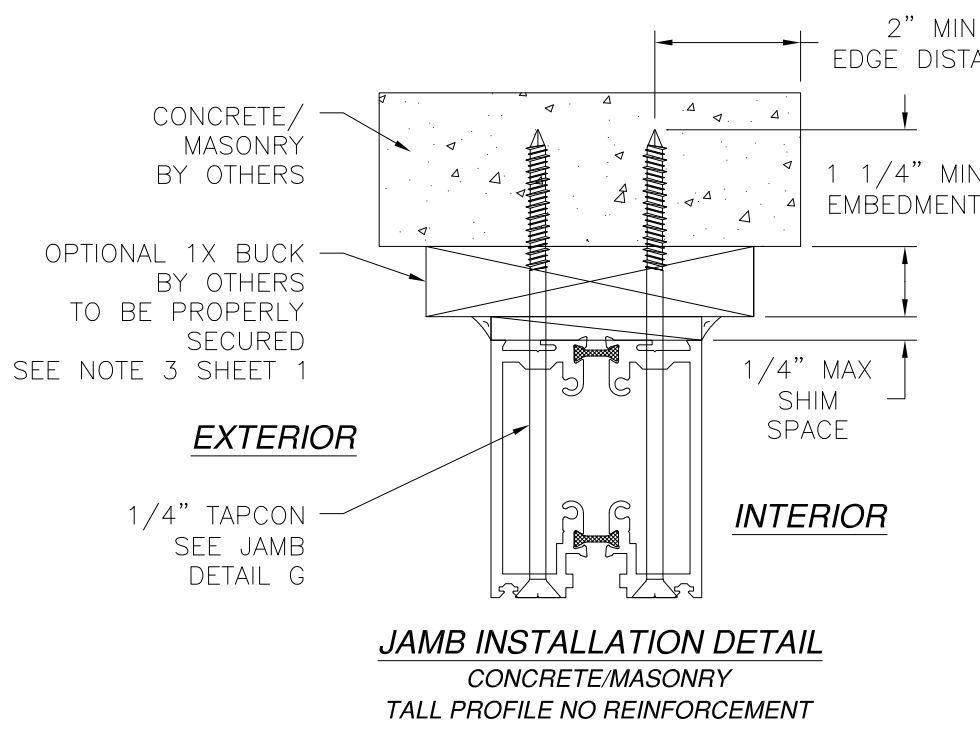
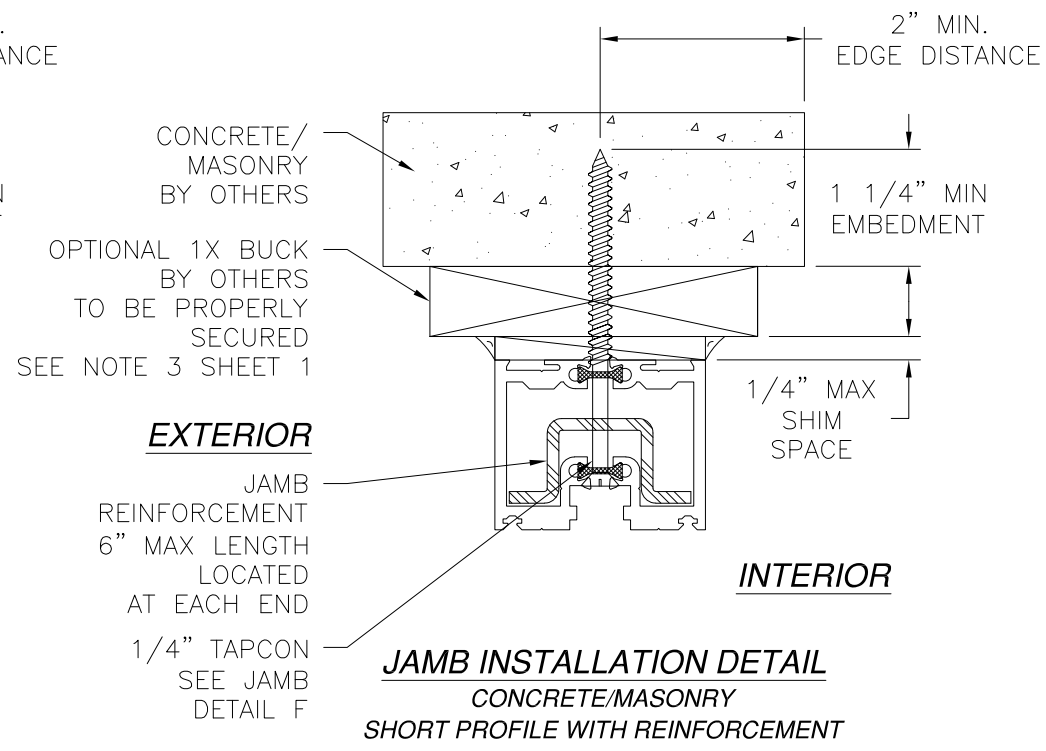
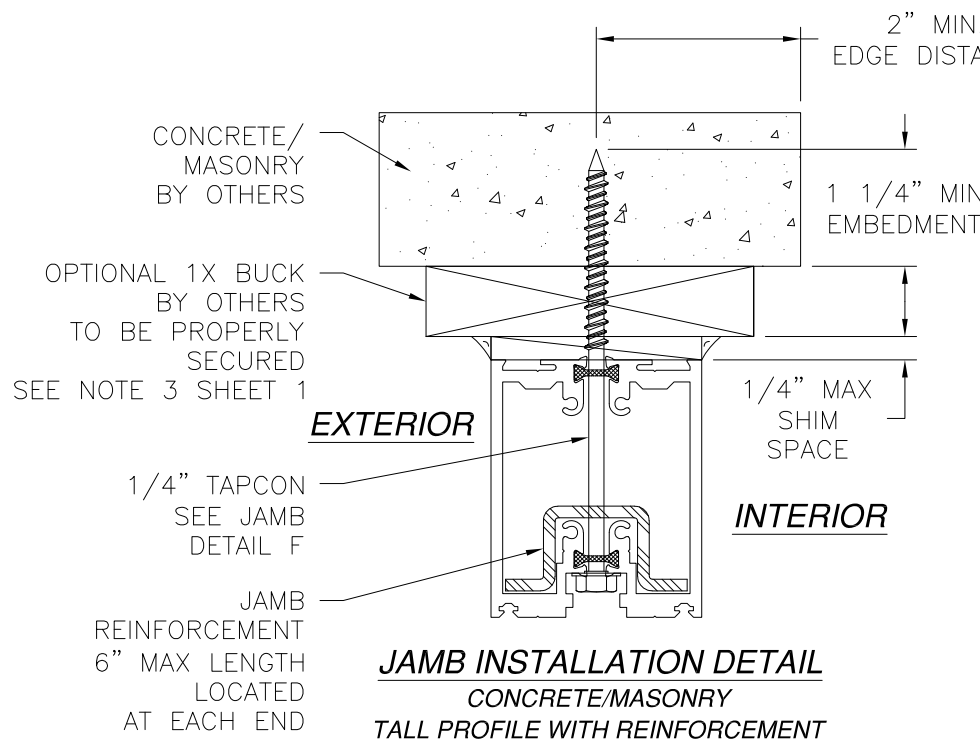
DRAWN: R.L.	DWG NO. 08-01794	REV E
SCALE NTS	DATE 09/19/12	SHEET 12 OF 16

L. ROBERTO LOMAS P.E.
 1432 WOODFORD RD LEWISVILLE, NC 27023
 434-688-0609 rllomas@rlomaspe.com

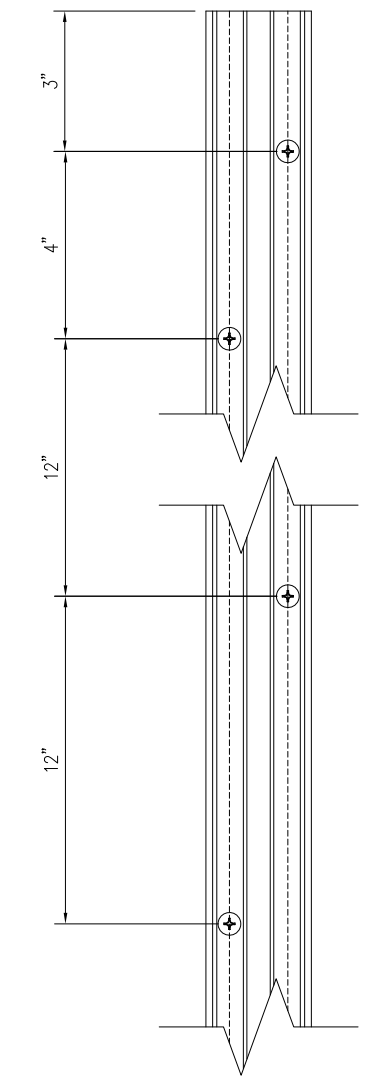
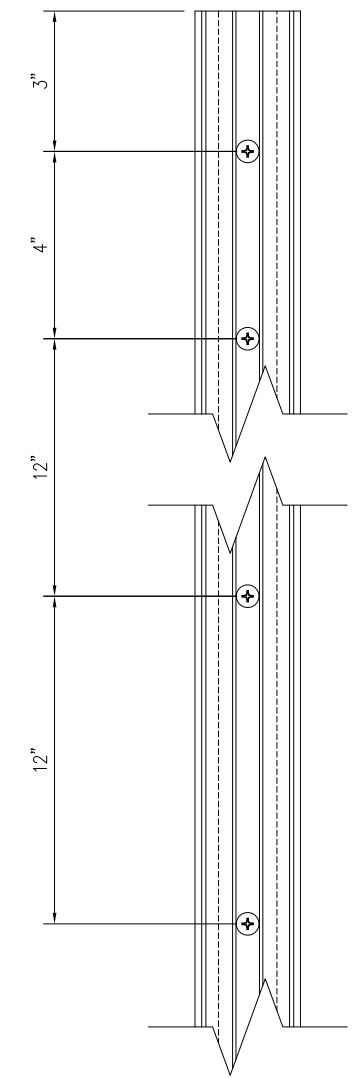
SIGNED: 12/14/2020



Luis R. Lomas P.E.
 FL No.: 62514



REVISIONS			
REV	DESCRIPTION	DATE	APPROVED
E	REVISED PER NEW REQUIREMENTS	12/08/2020	R.L.



JAMB INSTALLATION DETAIL F
JAMB WITH REINFORCEMENT

JAMB INSTALLATION DETAIL G
JAMB WITHOUT REINFORCEMENT

SIGNED: 12/14/2020

NOTES:
 1. INTERIOR AND EXTERIOR FINISHES, BY OTHERS, NOT SHOWN FOR CLARITY.
 2. PERIMETER AND JOINT SEALANT BY OTHERS TO BE DESIGNED IN ACCORDANCE WITH ASTM E2112

SOLAR INNOVATIONS, INC.
 31 ROBERTS RD.
 PINE GROVE, PA 17963

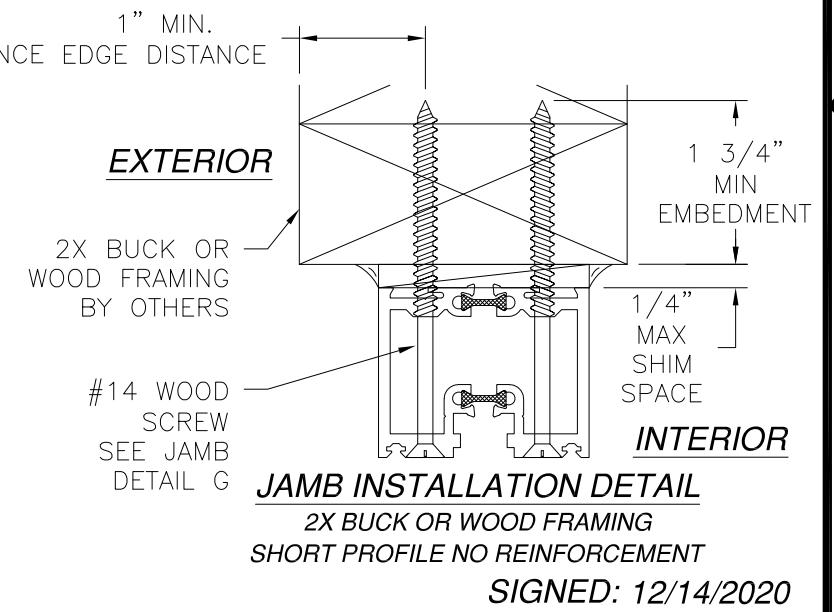
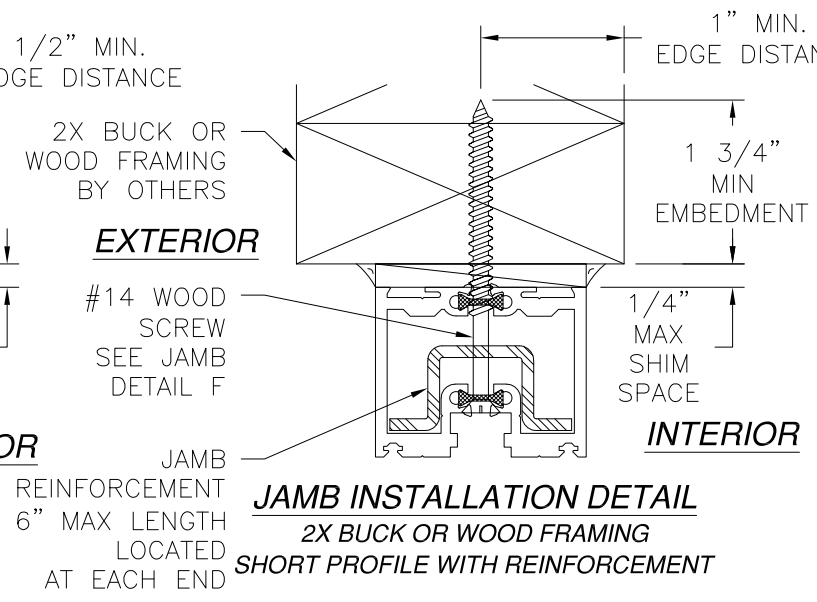
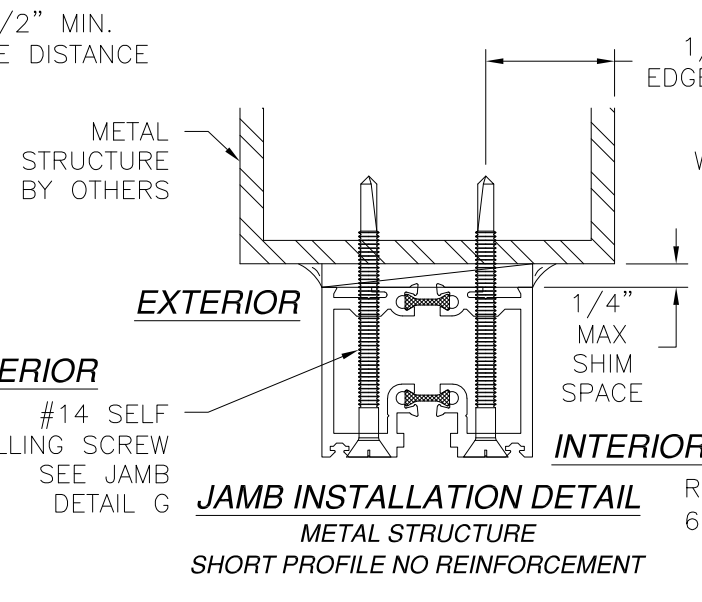
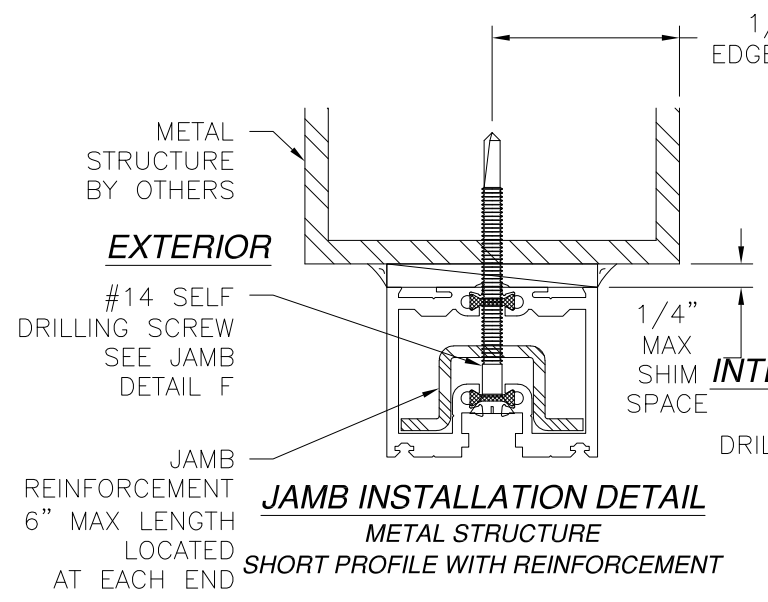
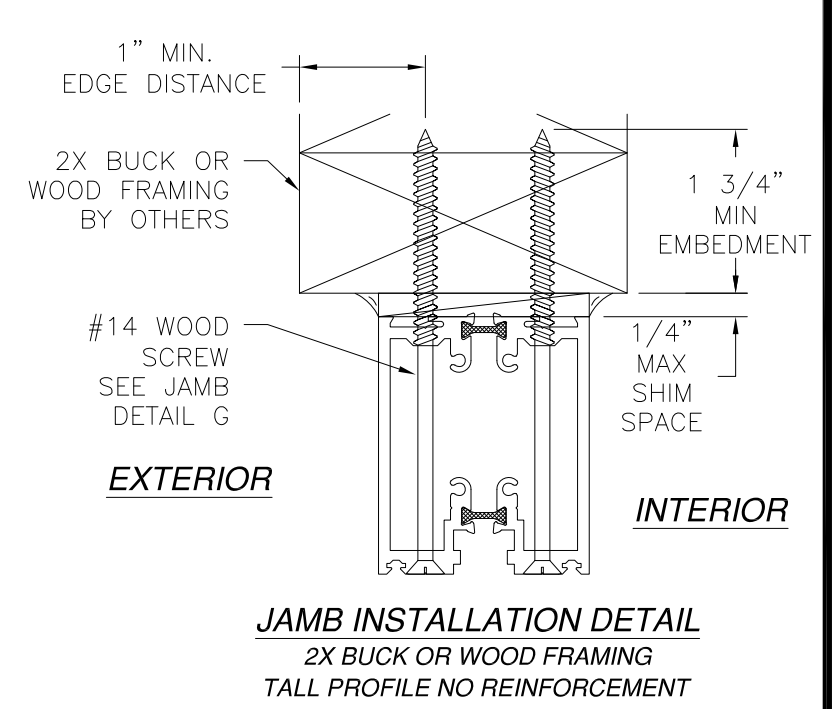
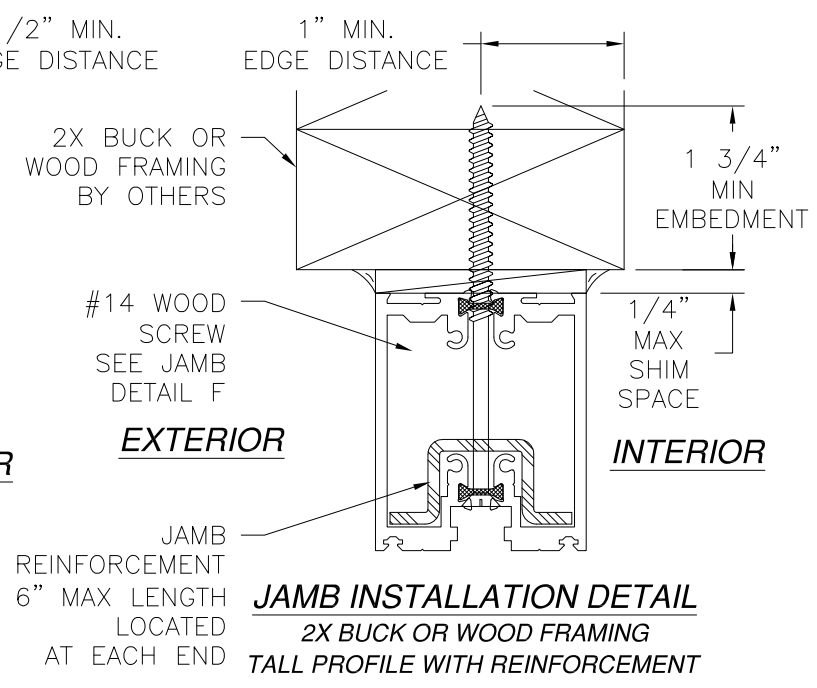
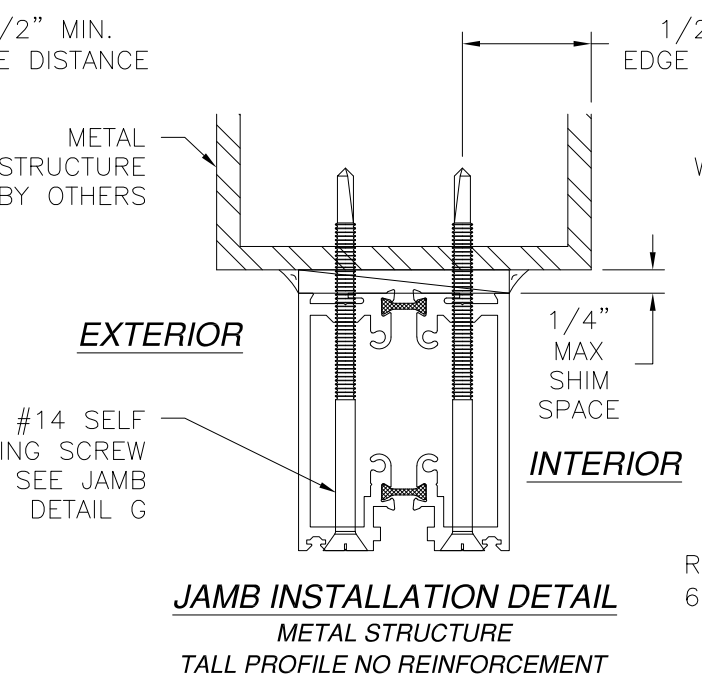
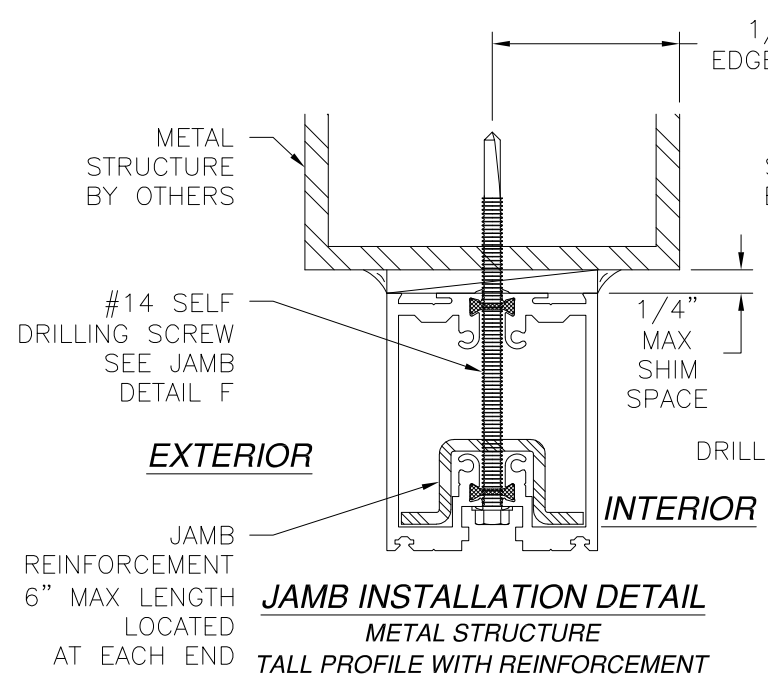
SERIES SI3000 FGW 3X8 PANEL 90° CORNER
 NO POST INFOLD-IMPACT
 INSTALLATION INSTRUCTIONS

DRAWN: R.L.	DWG NO. 08-01794	REV E
SCALE NTS	DATE 09/19/12	SHEET 13 OF 16

L. ROBERTO LOMAS P.E.
 1432 WOODFORD RD LEWISVILLE, NC 27023
 434-688-0609 rllomas@rlomaspe.com

Luis R. Lomas P.E.
 FL No.: 62514

REVISIONS			
REV	DESCRIPTION	DATE	APPROVED
E	REVISED PER NEW REQUIREMENTS	12/08/2020	R.L.



NOTES:
1. INTERIOR AND EXTERIOR FINISHES, BY OTHERS, NOT SHOWN FOR CLARITY.
2. PERIMETER AND JOINT SEALANT BY OTHERS TO BE DESIGNED IN ACCORDANCE WITH ASTM E2112

SOLAR INNOVATIONS, INC.
31 ROBERTS RD.
PINE GROVE, PA 17963

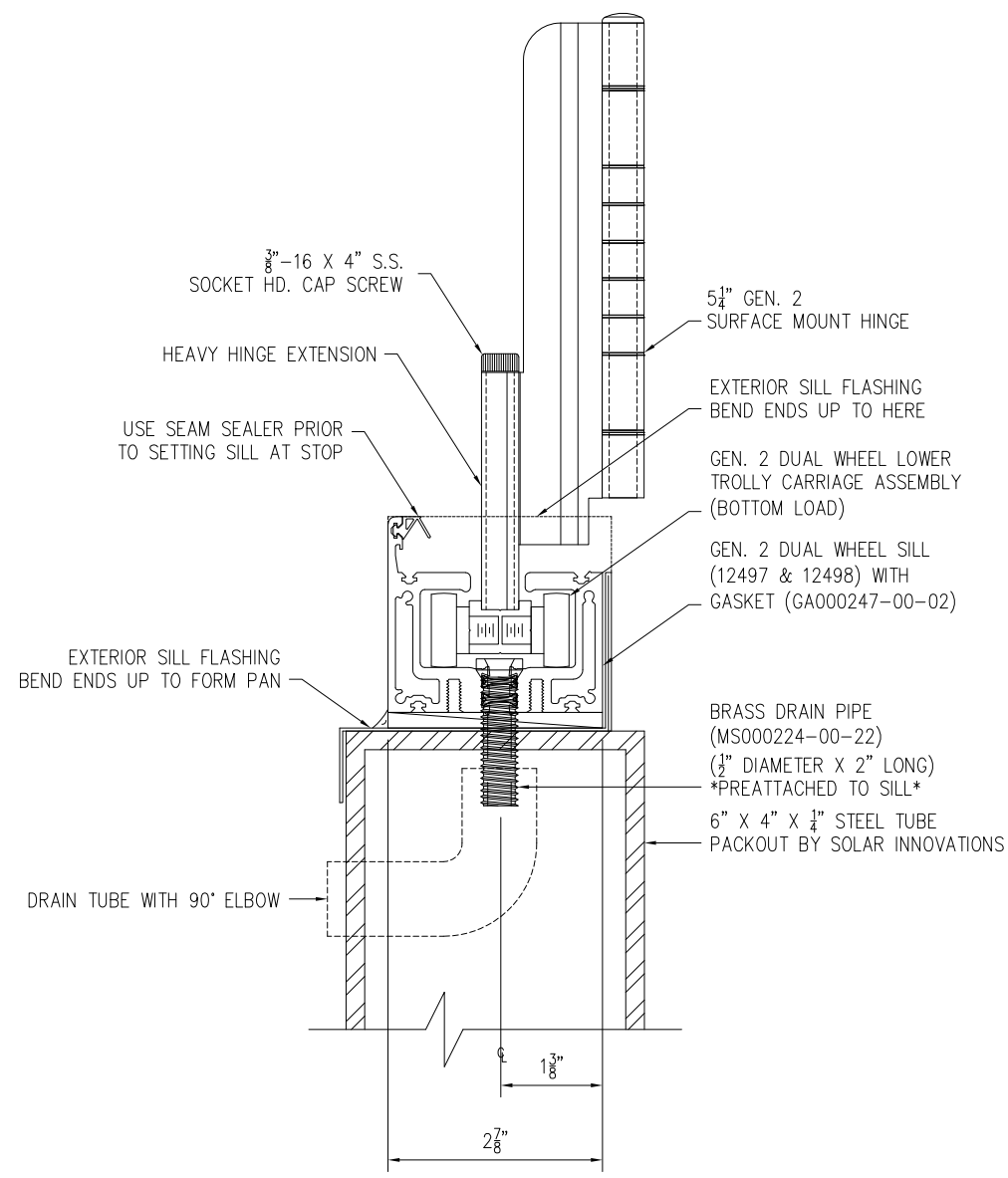
SERIES SI3000 FGW 3X8 PANEL 90° CORNER
NO POST INFOLD-IMPACT
INSTALLATION INSTRUCTIONS

DRAWN: R.L.	DWG NO. 08-01794	REV E
SCALE NTS	DATE 09/19/12	SHEET 14 OF 16

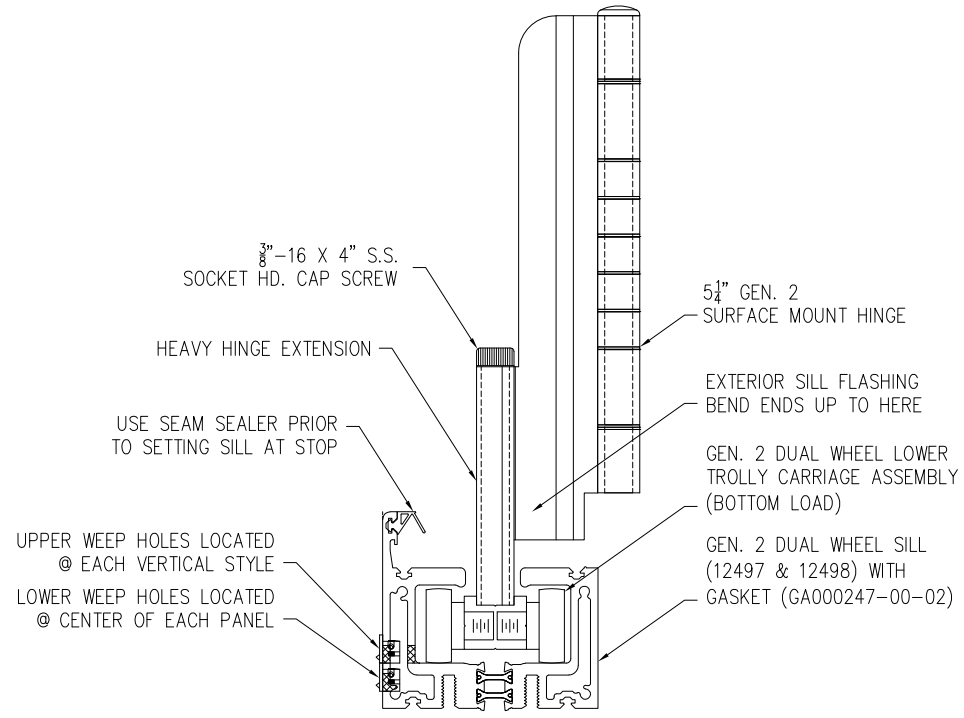
L. ROBERTO LOMAS P.E.
1432 WOODFORD RD LEWISVILLE, NC 27023
434-688-0609 rllomas@rlomaspe.com

Luis R. Lomas P.E.
FL No.: 62514

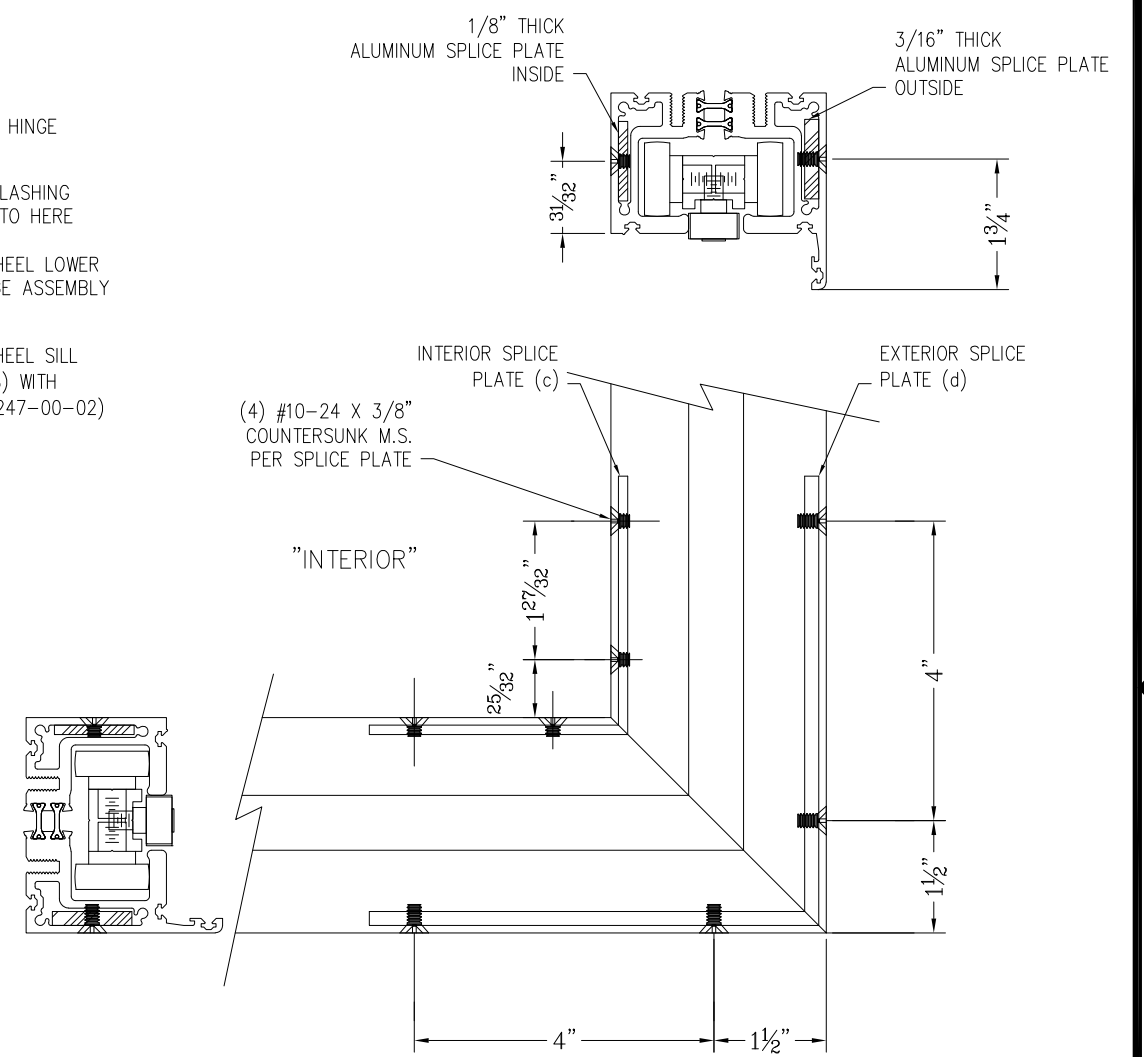
REVISIONS			
REV	DESCRIPTION	DATE	APPROVED
E	REVISED PER NEW REQUIREMENTS	12/08/2020	R.L.



**DRAIN PIPE AND HINGE EXTENSION
DETAIL**



**WEEP HOLE AND HINGE EXTENSION
DETAIL**



**SPLICE PLATES INSTALLATION
DETAIL**

SIGNED: 12/14/2020

SOLAR INNOVATIONS, INC.
31 ROBERTS RD.
PINE GROVE, PA 17963

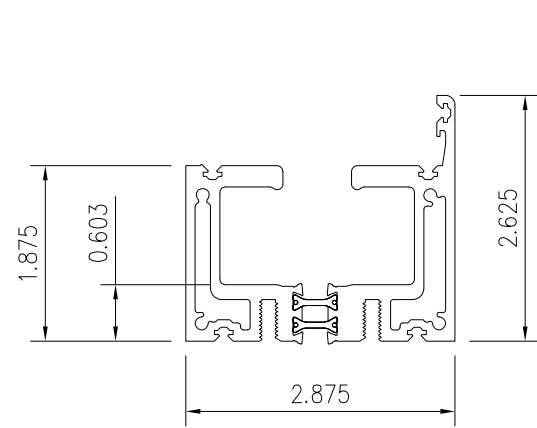
SERIES SI3000 FGW 3X8 PANEL 90° CORNER
NO POST INFOLD-IMPACT
WEEP DETAILS

DRAWN: R.L.	DWG NO. 08-01794	REV E
SCALE NTS	DATE 09/19/12	SHEET 15 OF 16

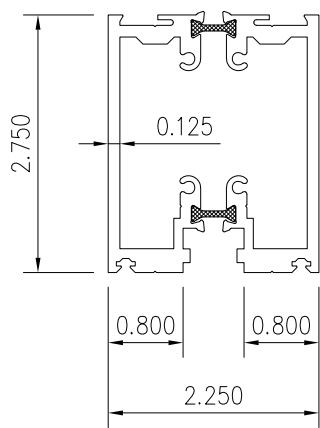
L. ROBERTO LOMAS P.E.
1432 WOODFORD RD LEWISVILLE, NC 27023
434-688-0609 rllomas@rlomaspe.com

Professional Engineer Seal for Luis R. Lomas, State of Florida, License No. 62514.

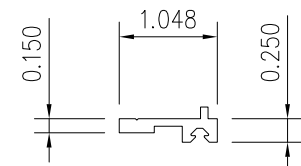
Luis R. Lomas P.E.
FL No.: 62514



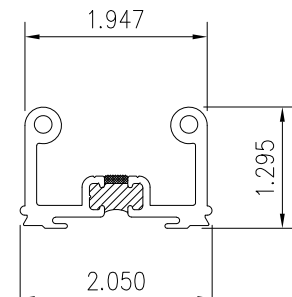
DUAL WHEEL
HEAD / SILL



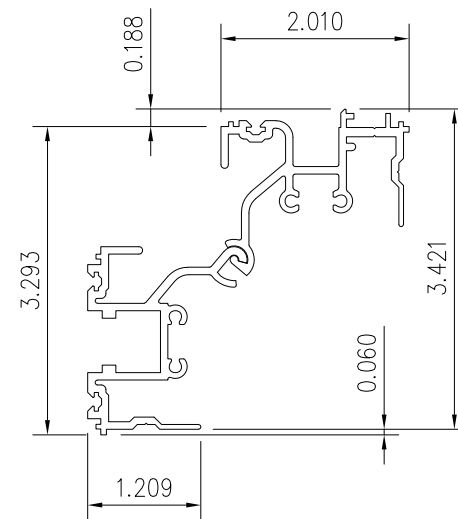
FRAME



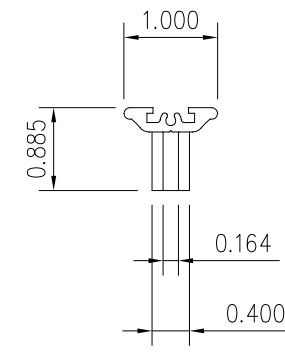
FRAME
CAP



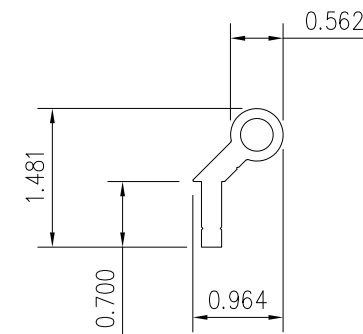
FRAME
LUG



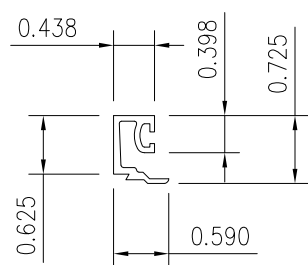
KNUCKLE
JAMB



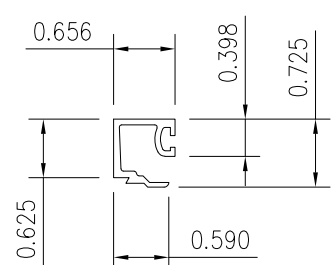
LOW-PROFILE
HANDLE



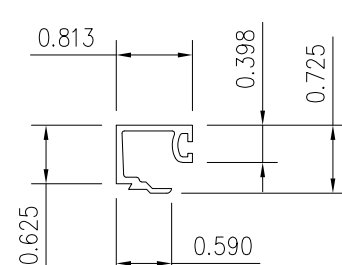
5 1/4" SEMI-
CONCEALED HINGE



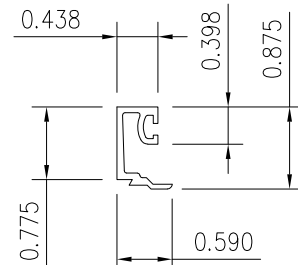
1" GLASS
STOP



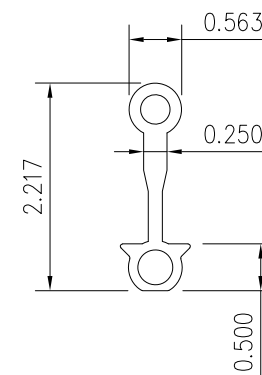
9/16" GLASS
STOP



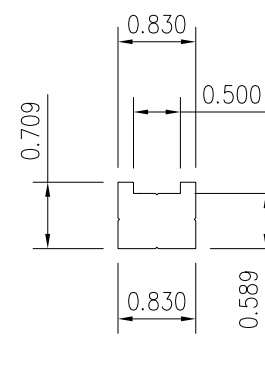
1/4" GLASS
STOP



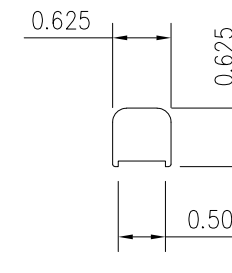
1/2" GLASS
STOP



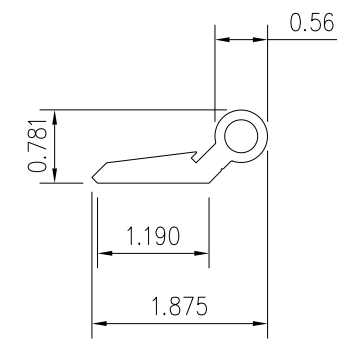
HINGE
EXTENSION



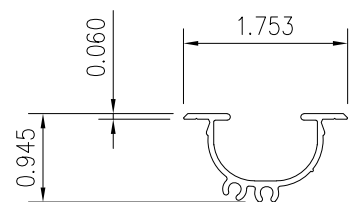
TROLLEY
BODY



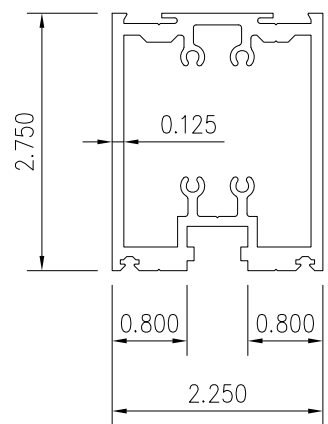
IDLER
BODY



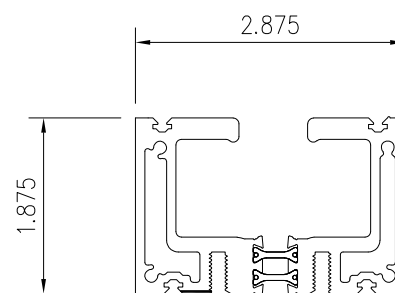
5 1/4" HYBRID
HINGE



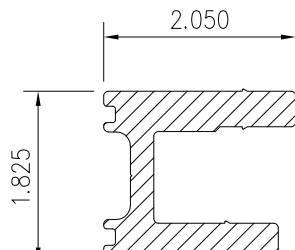
RECESSED / FLUSH
HANDLE



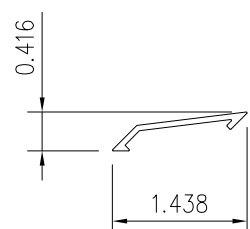
FRAME
NON-THERMAL



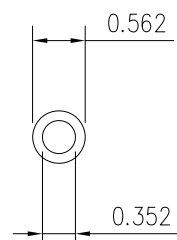
FLUSH SILL



ALUMINUM
INSERT



5 1/4" HYBRID
HINGE COVER



HINGE
BARREL

REVISIONS			
REV	DESCRIPTION	DATE	APPROVED
E	REVISED PER NEW REQUIREMENTS	12/08/2020	R.L.

SOLAR INNOVATIONS, INC.

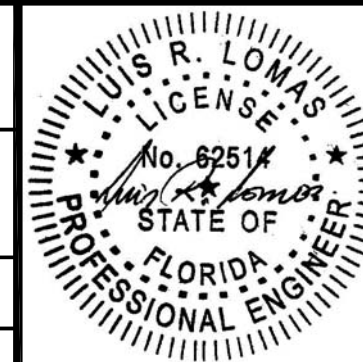
31 ROBERTS RD.
PINE GROVE, PA 17963

SERIES SI3000 FGW 3X8 PANEL 90° CORNER
NO POST INFOLD-IMPACT
COMPONENTS

DRAWN: R.L.	DWG NO. 08-01794	REV E
SCALE NTS	DATE 09/19/12	SHEET 16 OF 16

L. ROBERTO LOMAS P.E.
1432 WOODFORD RD LEWISVILLE, NC 27023
434-688-0609 rllomas@rlomaspe.com

SIGNED: 12/14/2020



Luis R. Lomas P.E.
FL No.: 62514