

REVISIONS			
REV	DESCRIPTION	DATE	APPROVED
F	REVISED PER NEW REQUIREMENTS	12/08/2020	R.L.

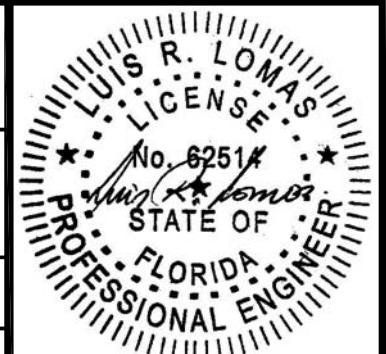
NOTES:

1. THE PRODUCT SHOWN HEREIN IS DESIGNED AND MANUFACTURED TO COMPLY WITH REQUIREMENTS OF THE FLORIDA BUILDING CODE INCLUDING THE HVHZ.
2. WOOD FRAMING AND MASONRY OPENING TO BE DESIGNED AND ANCHORED TO PROPERLY TRANSFER ALL LOADS TO STRUCTURE. FRAMING AND MASONRY OPENING IS THE RESPONSIBILITY OF THE ARCHITECT OR ENGINEER OF RECORD.
3. 1X BUCK OVER MASONRY/CONCRETE IS OPTIONAL. WHERE 1X BUCK IS NOT USED DISSIMILAR MATERIALS MUST BE SEPARATED WITH APPROVED COATING OR MEMBRANE. SELECTION OF COATING OR MEMBRANE IS THE RESPONSIBILITY OF THE ARCHITECT OR ENGINEER OF RECORD.
4. ALLOWABLE STRESS INCREASE OF 1/3 WAS NOT USED IN THE DESIGN OF THE PRODUCT SHOWN HEREIN. WIND LOAD DURATION FACTOR Cd=1.6 WAS USED FOR WOOD ANCHOR CALCULATIONS.
5. FRAME MATERIAL: ALUMINUM 6063-T6, 6063-T5 AND 6005A-T5.
6. UNITS MUST BE GLAZED PER ASTM E1300, SEE SHEET 6 FOR GLASS DETAILS.
7. APPROVED IMPACT PROTECTIVE SYSTEM IS NOT REQUIRED FOR THIS PRODUCT IN WIND BORNE DEBRIS REGIONS.
8. SHIM AS REQUIRED AT EACH INSTALLATION ANCHOR WITH LOAD BEARING SHIM. SHIM WHERE SPACE OF 1/16" OR GREATER OCCURS. MAXIMUM ALLOWABLE SHIM STACK TO BE 1/4".
9. FOR ANCHORING INTO WOOD FRAMING OR 2X BUCK USE #14 WOOD SCREWS WITH SUFFICIENT LENGTH TO ACHIEVE A 1 3/4" MINIMUM EMBEDMENT INTO SUBSTRATE. LOCATE ANCHORS AS SHOWN IN ELEVATIONS AND INSTALLATION DETAILS.
10. FOR ANCHORING INTO MASONRY/CONCRETE USE 1/4" TAPCONS WITH SUFFICIENT LENGTH TO ACHIEVE A 1 1/4" MINIMUM EMBEDMENT INTO SUBSTRATE WITH 2" MINIMUM EDGE DISTANCE. LOCATE ANCHORS AS SHOWN IN ELEVATIONS AND INSTALLATION DETAILS.
11. FOR ANCHORING INTO METAL STRUCTURE USE #14 SMS OR SELF DRILLING SCREWS WITH SUFFICIENT LENGTH TO ACHIEVE 3 THREADS MINIMUM BEYOND STRUCTURE INTERIOR WALL. LOCATE ANCHORS AS SHOWN IN ELEVATIONS AND INSTALLATION DETAILS.
12. ALL FASTENERS TO BE CORROSION RESISTANT.
13. INSTALLATION ANCHORS SHALL BE INSTALLED IN ACCORDANCE WITH ANCHOR MANUFACTURER'S INSTALLATION INSTRUCTIONS AND ANCHORS SHALL NOT BE USED IN SUBSTRATES WITH STRENGTHS LESS THAN THE MINIMUM STRENGTH SPECIFIED BELOW:
 - A. WOOD – MINIMUM SPECIFIC GRAVITY OF G=0.42
 - B. CONCRETE – MINIMUM COMPRESSIVE STRENGTH OF 3,000 PSI.
 - C. MASONRY – STRENGTH CONFORMANCE TO ASTM C-90, GRADE N, TYPE 1 (OR GREATER).
 - D. METAL STRUCTURE: STEEL 18GA, 33KSI OR ALUMINUM 6063-T5 .125" THICK MINIMUM

TABLE OF CONTENTS	
SHEET NO.	DESCRIPTION
1	NOTES
2	ELEVATIONS
3	ANCHORING LAYOUT & DESIGN PRESSURE CHARTS
4 – 8	CROSS SECTIONS & GLAZING DETAIL
9 – 11	INSTALLATION DETAILS
12	WEEP DETAILS
13	COMPONENTS

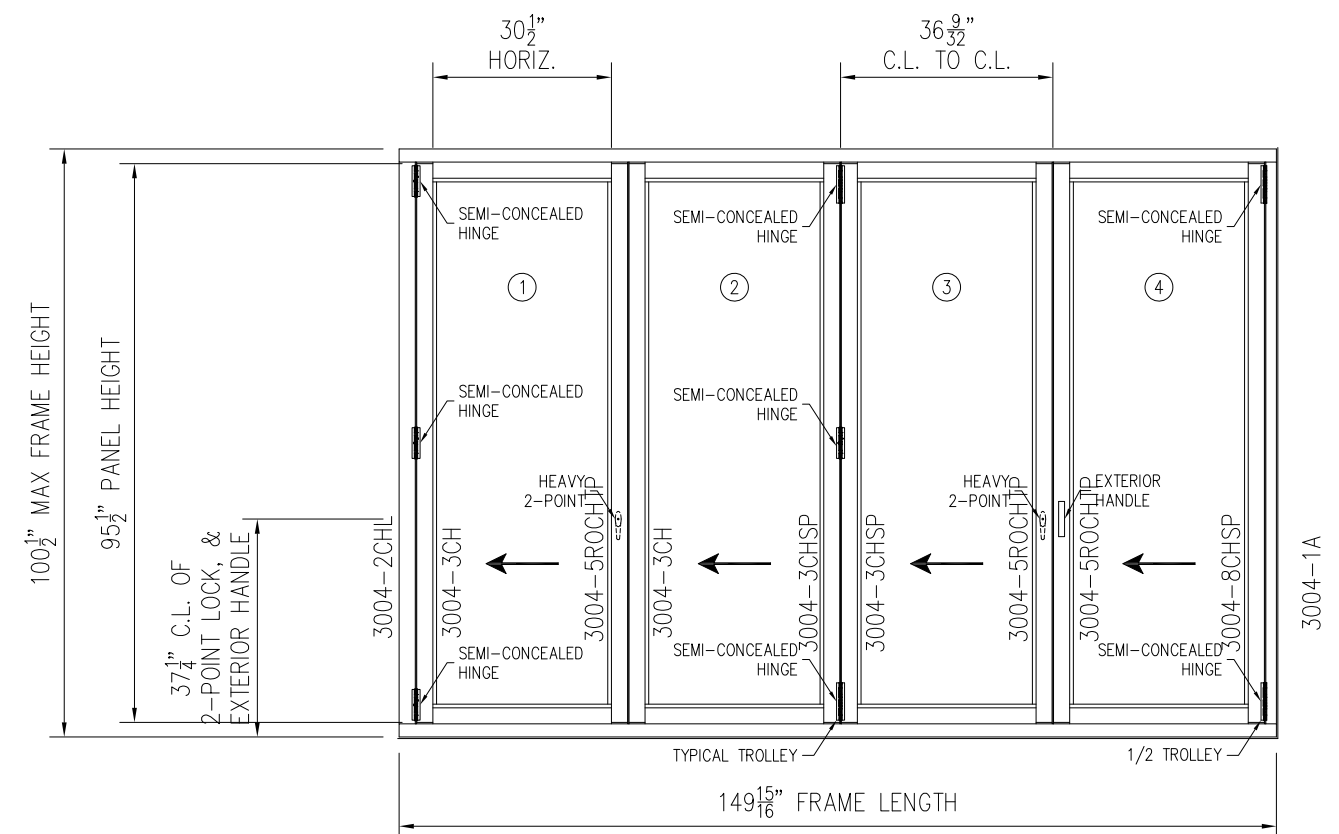
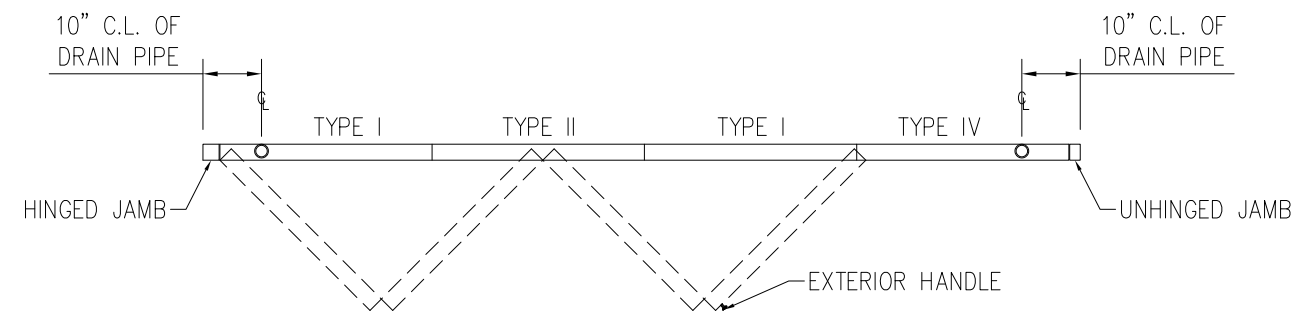
SOLAR INNOVATIONS, INC. 31 ROBERTS RD PINE GROVE, PA 17963		
SERIES S13000 FGW 3X8 PANEL OUTFOLD ALL WALL IMPACT – HVHZ NOTES		
DRAWN: V.L.	DWG NO. 08-01795	REV F
SCALE NTS	DATE 10/12/2012	SHEET 1 OF 13
L. ROBERTO LOMAS P.E. 1432 WOODFORD RD LEWISVILLE, NC 27023 434-688-0609 rllomas@rlomaspe.com		

SIGNED: 12/18/2020



Luis R. Lomas P.E.
FL No.: 62514

REVISIONS			
REV	DESCRIPTION	DATE	APPROVED
F	REVISED PER NEW REQUIREMENTS	12/08/2020	R.L.



SERIES SI3000 FGW 3X8 PANEL OUTFOLD ALL WALL
EXTERIOR VIEW

UNLIMITED NUMBER OF PANELS IN UNLIMITED CONFIGURATION ARE APPROVED
AS LONG AS INDIVIDUAL PANEL AREA DOES NOT EXCEED 24.06 FT² AND USES VERTICAL CONDITIONS AS SHOWN.

DESIGN PRESSURE RATING	IMPACT RATING
±80.0PSF	LARGE AND SMALL MISSILE IMPACT

MISSILE LEVEL D, WIND ZONE 4, AND HVHZ
SEE CHART #1 SHEET 3

DESIGN PRESSURE RATING	IMPACT RATING
±65.0PSF	LARGE AND SMALL MISSILE IMPACT

MISSILE LEVEL D, WIND ZONE 4, AND HVHZ
WITH PANIC BAR OPTION, SEE CHART #2 SHEET 3

DESIGN PRESSURE RATING	IMPACT RATING
+ 60.0 PSF - 70.0 PSF	LARGE AND SMALL MISSILE IMPACT

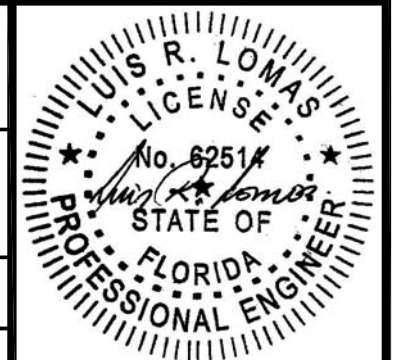
MISSILE LEVEL D, WIND ZONE 4, AND HVHZ
WITH FLUSH SILL, SEE CHART #3 SHEET 3

DESIGN PRESSURE RATING	IMPACT RATING
+60.0/-70.0PSF	LARGE AND SMALL MISSILE IMPACT

MISSILE LEVEL D, WIND ZONE 4, AND HVHZ
WITH NON-THERMAL RAILS, SEE CHART #3 SHEET 3

SIGNED: 12/18/2020

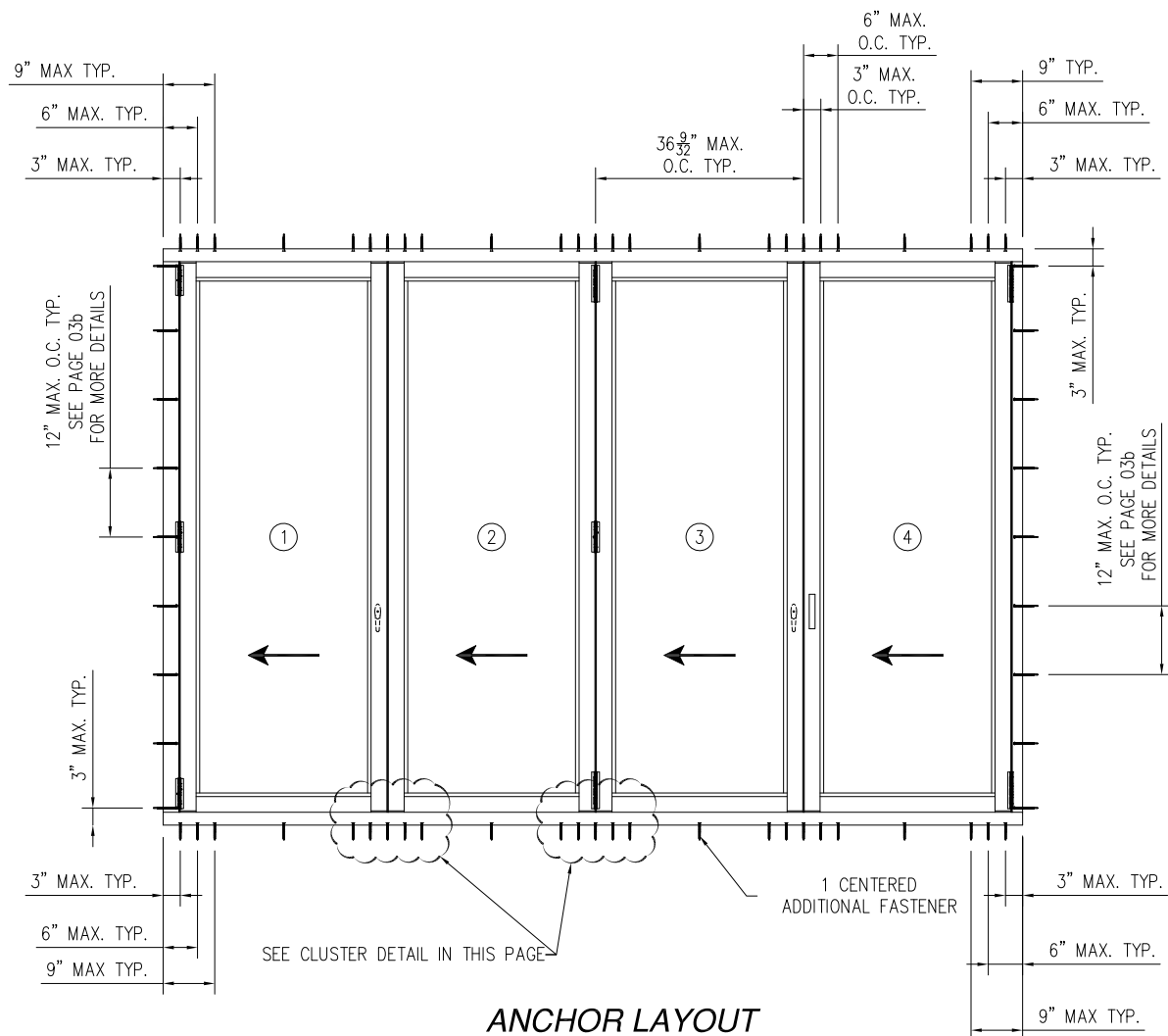
SOLAR INNOVATIONS, INC. 31 ROBERTS RD PINE GROVE, PA 17963		
SERIES SI3000 FGW 3X8 PANEL OUTFOLD ALL WALL IMPACT - HVHZ ELEVATION		
DRAWN: V.L.	DWG NO. 08-01795	REV F
SCALE NTS	DATE 10/12/2012	SHEET 2 OF 13
L. ROBERTO LOMAS P.E. 1432 WOODFORD RD LEWISVILLE, NC 27023 434-688-0609 rllomas@rlomaspe.com		



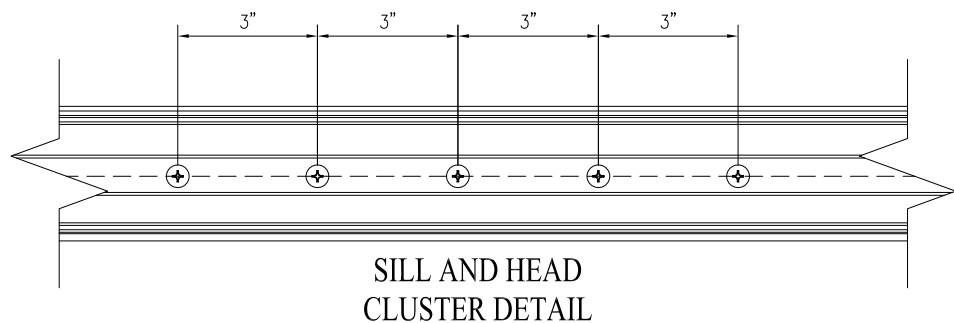
Luis R. Lomas P.E.
FL No.: 62514

HARDWARE SCHEDULE

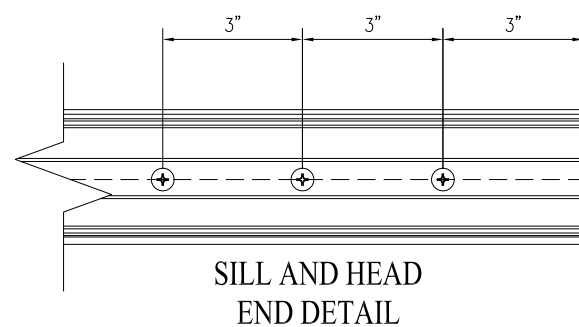
- A. PANIC BAR BY SOLAR INNOVATIONS (OPTIONAL)
- B. SEMI-CONCEALED HINGE BY SOLAR INNOVATIONS
- C. HEAVY 2-POINT BY SOLAR INNOVATIONS



ANCHOR LAYOUT
APPLICABLE TO ALL CONFIGURATIONS.



SILL AND HEAD
CLUSTER DETAIL



SILL AND HEAD
END DETAIL

REVISIONS			
REV	DESCRIPTION	DATE	APPROVED
F	REVISED PER NEW REQUIREMENTS	12/08/2020	R.L.

Chart #1
Maximum Design pressure (psf)

Panel Height (in)	Single Panel Width (in)										
	24.0		30.0		36.281		42.0		44.000		
	Pos	Neg	Pos	Neg	Pos	Neg	Pos	Neg	Pos	Neg	
78.0	80.0	80.0	80.0	80.0	80.0	80.0	80.0	80.0	80.0	80.0	80.0
84.0	80.0	80.0	80.0	80.0	80.0	80.0	80.0	-	-	-	-
90.0	80.0	80.0	80.0	80.0	80.0	80.0	80.0	-	-	-	-
95.5	80.0	80.0	80.0	80.0	80.0	80.0	80.0	-	-	-	-
96.0	80.0	80.0	80.0	80.0	-	-	-	-	-	-	-
102.0	80.0	80.0	77.5	77.5	-	-	-	-	-	-	-
108.0	80.0	80.0	65.1	65.1	-	-	-	-	-	-	-
114.0	68.3	68.3	55.2	55.2	-	-	-	-	-	-	-
120.0	58.4	58.4	-	-	-	-	-	-	-	-	-
126.0	50.4	50.4	-	-	-	-	-	-	-	-	-
132.0	43.8	43.8	-	-	-	-	-	-	-	-	-
138.0	38.3	38.3	-	-	-	-	-	-	-	-	-
144.0	33.6	33.6	-	-	-	-	-	-	-	-	-

Chart #2
Maximum Design pressure (psf)

Panel Height (in)	Single Panel Width (in)										
	24.0		30.0		36.281		42.0		44.000		
	Pos	Neg	Pos	Neg	Pos	Neg	Pos	Neg	Pos	Neg	
78.0	65.0	65.0	65.0	65.0	65.0	65.0	65.0	65.0	65.0	65.0	65.0
84.0	65.0	65.0	65.0	65.0	65.0	65.0	-	-	-	-	-
90.0	65.0	65.0	65.0	65.0	65.0	65.0	-	-	-	-	-
95.5	65.0	65.0	65.0	65.0	65.0	65.0	-	-	-	-	-
96.0	65.0	65.0	65.0	65.0	-	-	-	-	-	-	-
102.0	65.0	65.0	63.0	63.0	-	-	-	-	-	-	-
108.0	65.0	65.0	52.9	52.9	-	-	-	-	-	-	-
114.0	55.5	55.5	44.8	44.8	-	-	-	-	-	-	-
120.0	47.5	47.5	-	-	-	-	-	-	-	-	-
126.0	40.9	40.9	-	-	-	-	-	-	-	-	-
132.0	35.6	35.6	-	-	-	-	-	-	-	-	-
138.0	31.1	31.1	-	-	-	-	-	-	-	-	-
144.0	27.3	27.3	-	-	-	-	-	-	-	-	-

Chart #3
Maximum Design pressure (psf)

Panel Height (in)	Single Panel Width (in)									
	24.0		30.0		36.281		42.0		44.000	
	Pos	Neg	Pos	Neg	Pos	Neg	Pos	Neg	Pos	Neg
78.0	60.0	80.0	60.0	80.0	60.0	80.0	60.0	74.0	60.0	70.7
84.0	60.0	80.0	60.0	80.0	60.0	79.6	-	-	-	-
90.0	60.0	80.0	60.0	80.0	60.0	74.3	-	-	-	-
95.5	60.0	80.0	60.0	80.0	60.0	70.0	-	-	-	-
96.0	60.0	80.0	60.0	80.0	-	-	-	-	-	-
102.0	60.0	80.0	60.0	67.9	-	-	-	-	-	-
108.0	60.0	70.4	56.9	56.9	-	-	-	-	-	-
114.0	59.7	59.7	48.3	48.3	-	-	-	-	-	-
120.0	51.1	51.1	-	-	-	-	-	-	-	-
126.0	44.1	44.1	-	-	-	-	-	-	-	-
132.0	38.3	38.3	-	-	-	-	-	-	-	-
138.0	33.5	33.5	-	-	-	-	-	-	-	-
144.0	29.4	29.4	-	-	-	-	-	-	-	-

SOLAR INNOVATIONS, INC.
31 ROBERTS RD
PINE GROVE, PA 17963

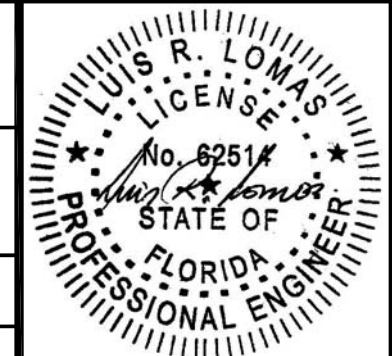
SERIES SI3000 FGW 3X8 PANEL OUTFOLD ALL WALL
IMPACT - HVHZ
ANCHORING LAYOUT & DESIGN PRESSURE CHARTS

DRAWN: V.L. DWG NO. 08-01795 REV F

SCALE NTS DATE 10/12/2012 SHEET 3 OF 13

L. ROBERTO LOMAS P.E.
1432 WOODFORD RD LEWISVILLE, NC 27023
434-688-0609 rllomas@rlomaspe.com

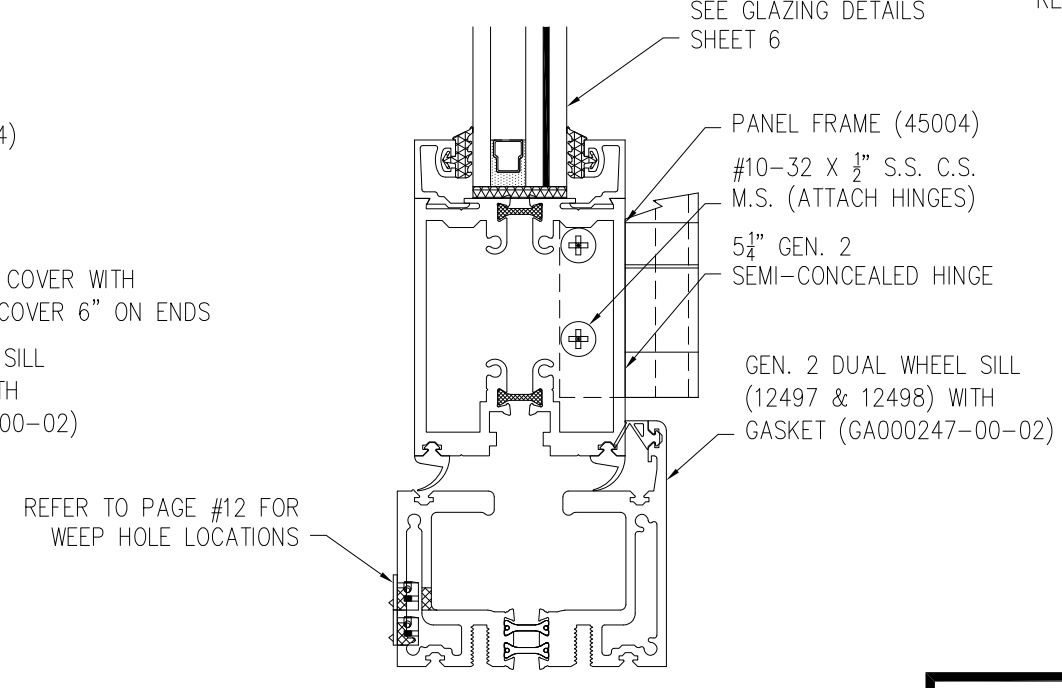
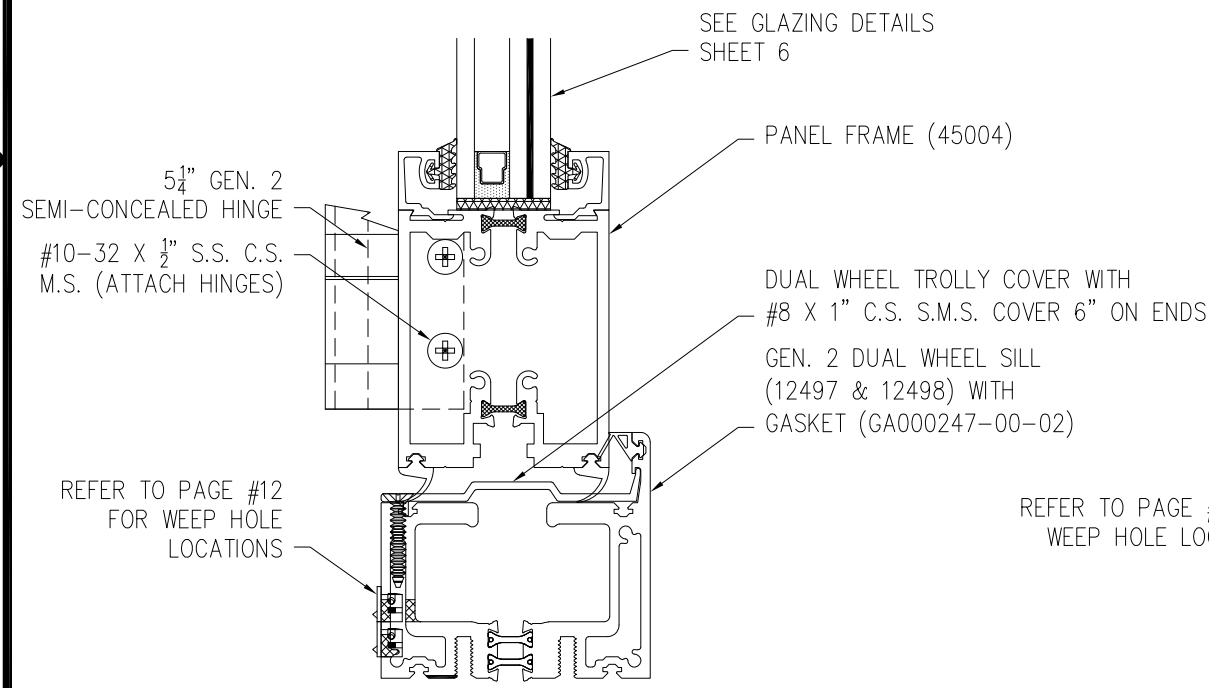
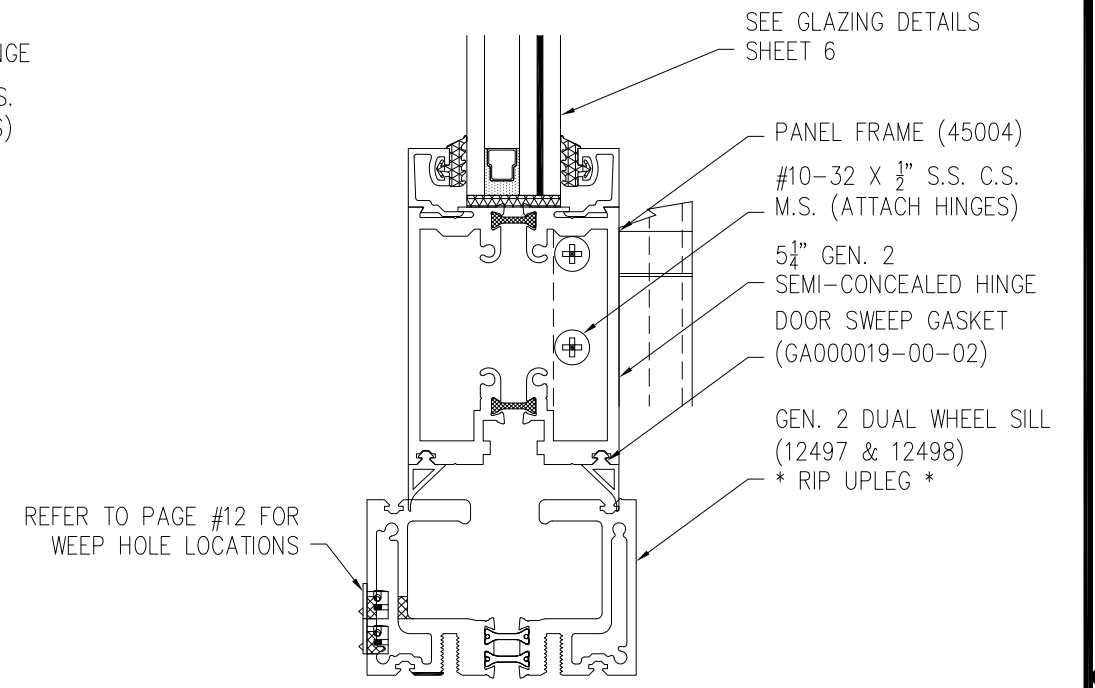
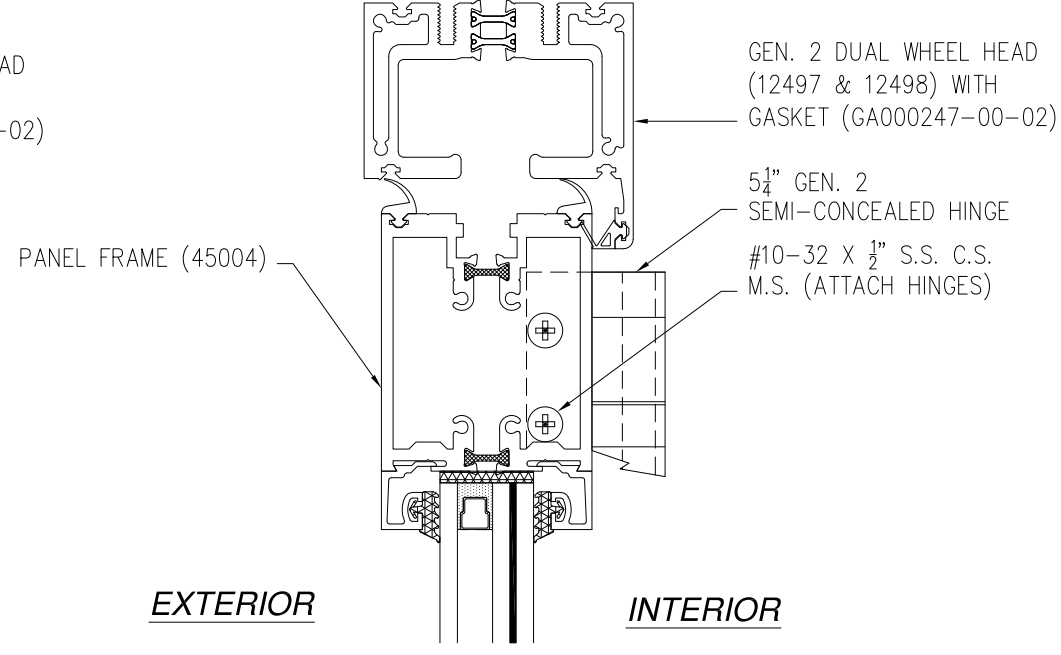
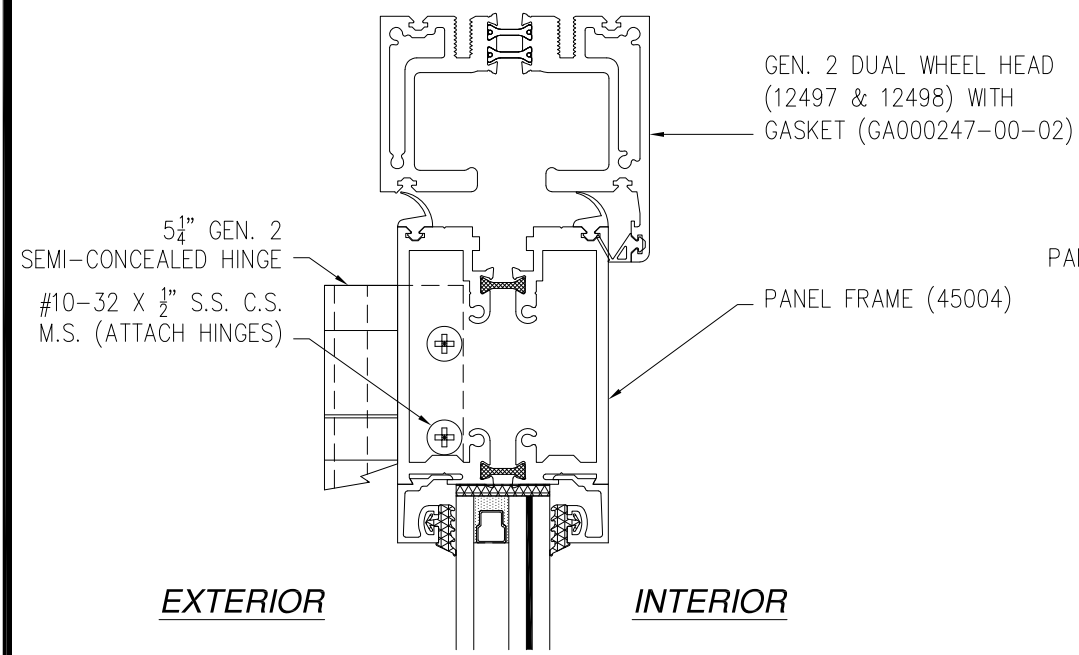
SIGNED: 12/18/2020



Luis R. Lomas P.E.
FL No.: 62514

**FOR ILLUSTRATION PURPOSES ONLY
FOR INSTALLATION DETAILS REFER TO SHEETS 9 - 11**

REVISIONS			
REV	DESCRIPTION	DATE	APPROVED
F	REVISED PER NEW REQUIREMENTS	12/08/2020	R.L.



**VERTICAL CROSS SECTION
DRY GLAZED**

**VERTICAL CROSS SECTION
DRY GLAZED**

**VERTICAL CROSS SECTION
FLUSH SILL**

SIGNED: 12/18/2020

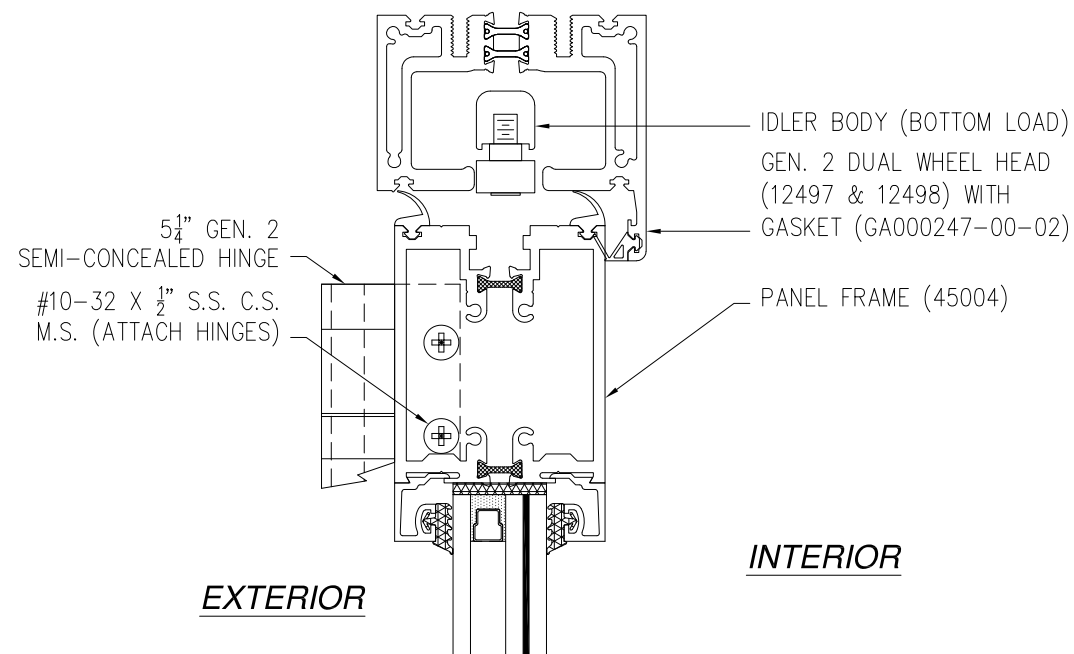
SOLAR INNOVATIONS, INC. 31 ROBERTS RD PINE GROVE, PA 17963		
SERIES S13000 FGW 3X8 PANEL OUTFOLD ALL WALL IMPACT - HVHZ VERTICAL CROSS SECTIONS		
DRAWN: V.L.	DWG NO. 08-01795	REV F
SCALE NTS	DATE 10/12/2012	SHEET 4 OF 13
L. ROBERTO LOMAS P.E. 1432 WOODFORD RD LEWISVILLE, NC 27023 434-688-0609 rllomas@rlomaspe.com		



Luis R. Lomas P.E.
FL No.: 62514

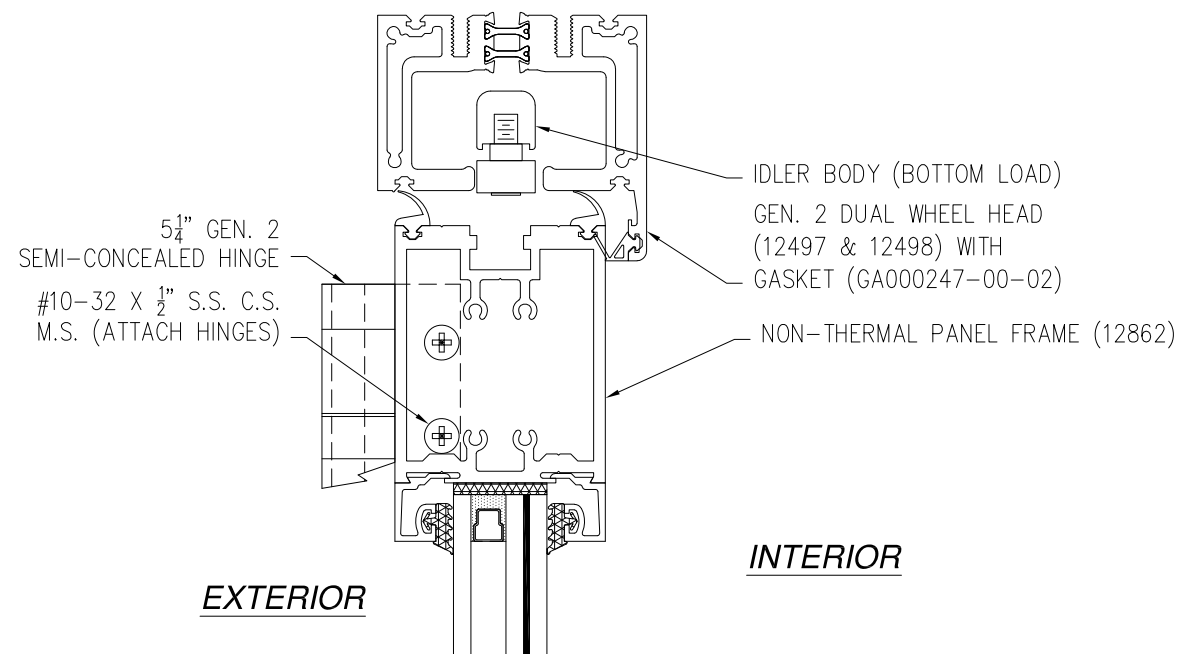
**FOR ILLUSTRATION PURPOSES ONLY
FOR INSTALLATION DETAILS REFER TO SHEETS 9-11**

REVISIONS			
REV	DESCRIPTION	DATE	APPROVED
F	REVISED PER NEW REQUIREMENTS	12/08/2020	R.L.



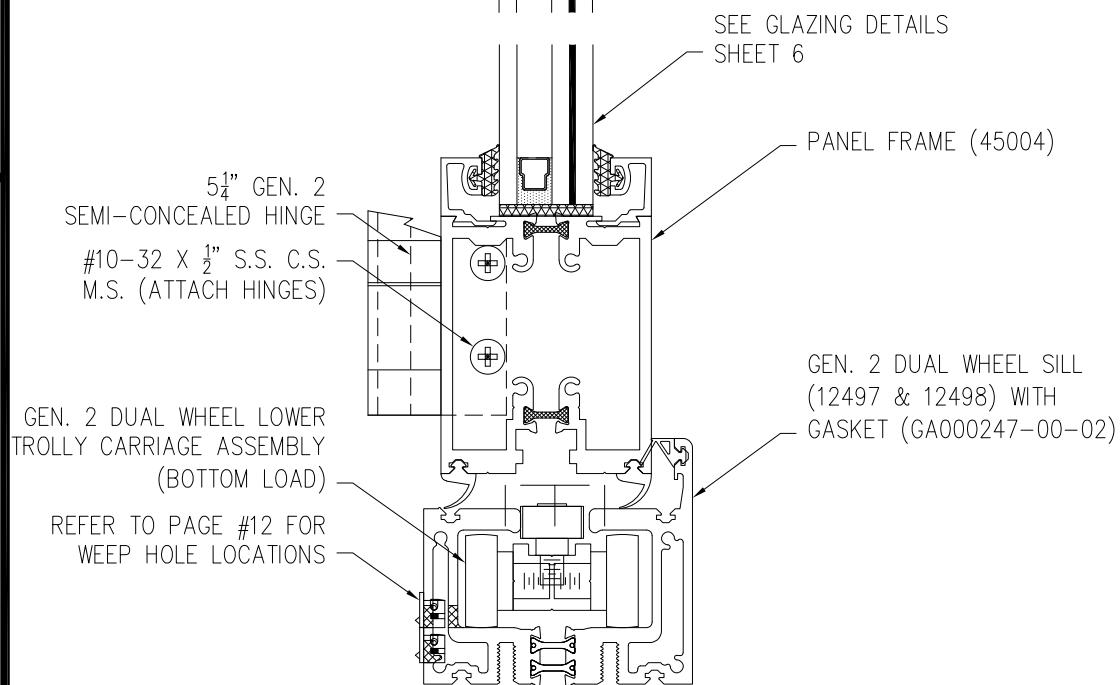
INTERIOR

EXTERIOR

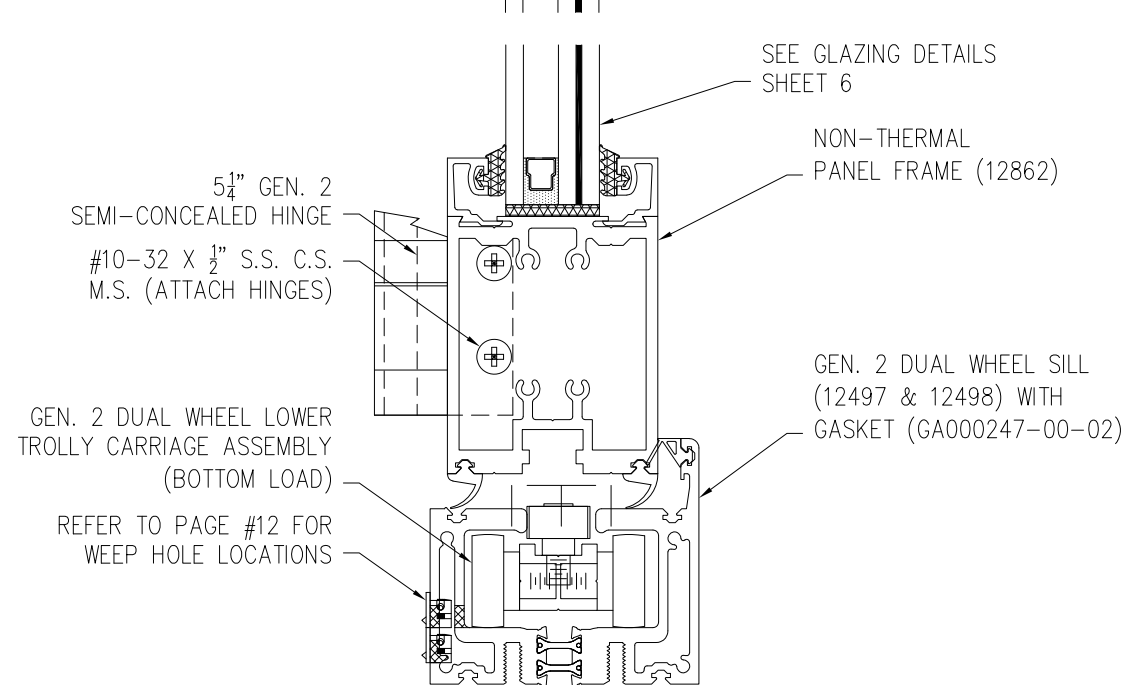


INTERIOR

EXTERIOR



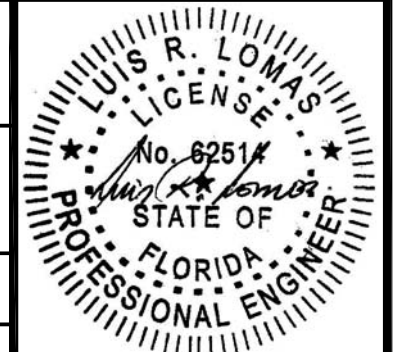
**VERTICAL CROSS SECTION
DRY GLAZED BOTTOM LOAD**



**VERTICAL CROSS SECTION
WITH NON-THERMAL RAILS**

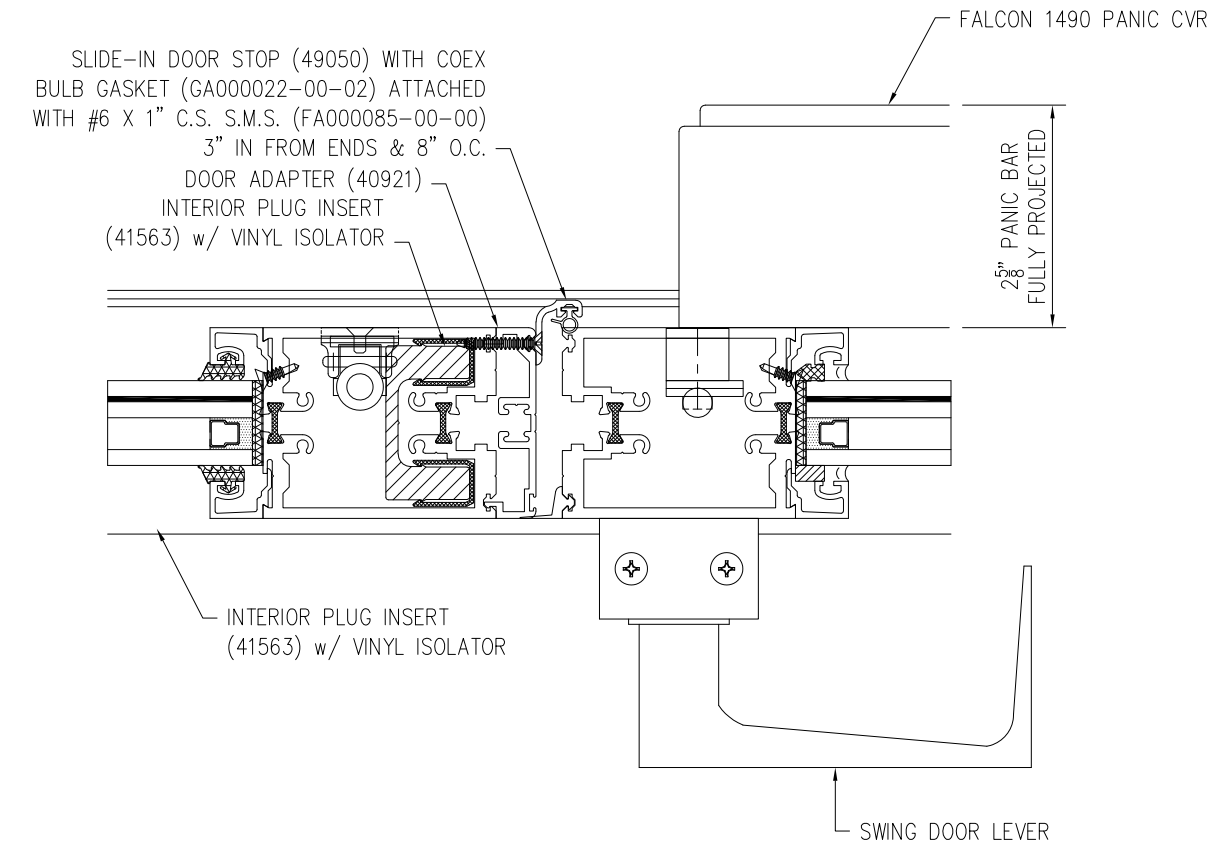
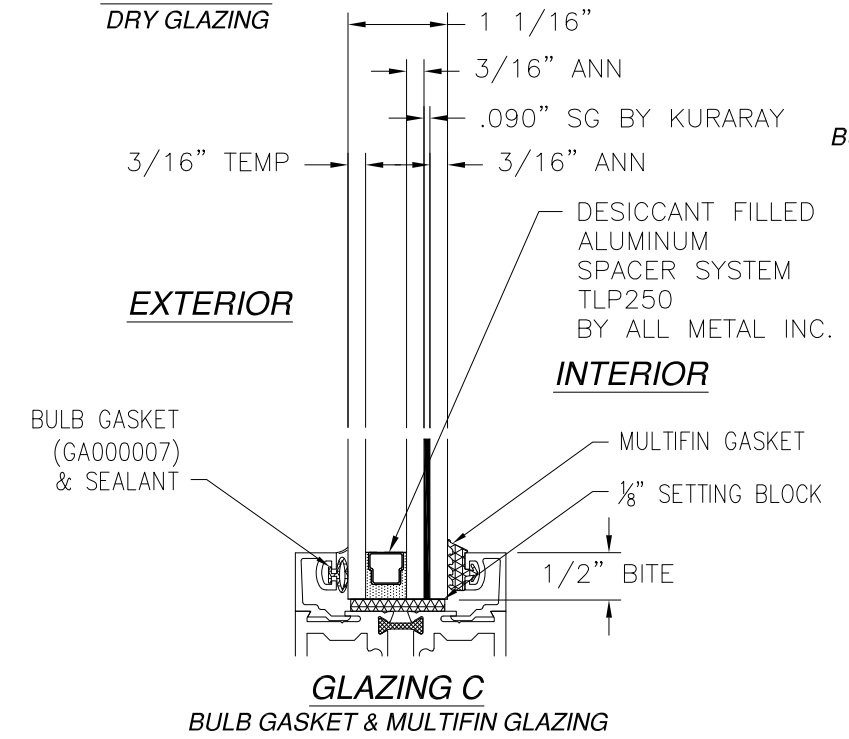
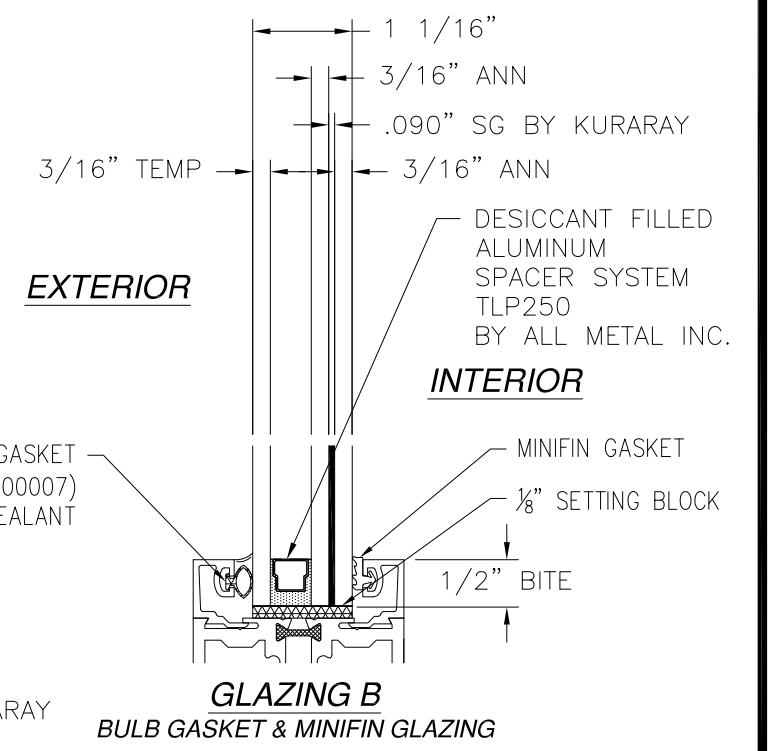
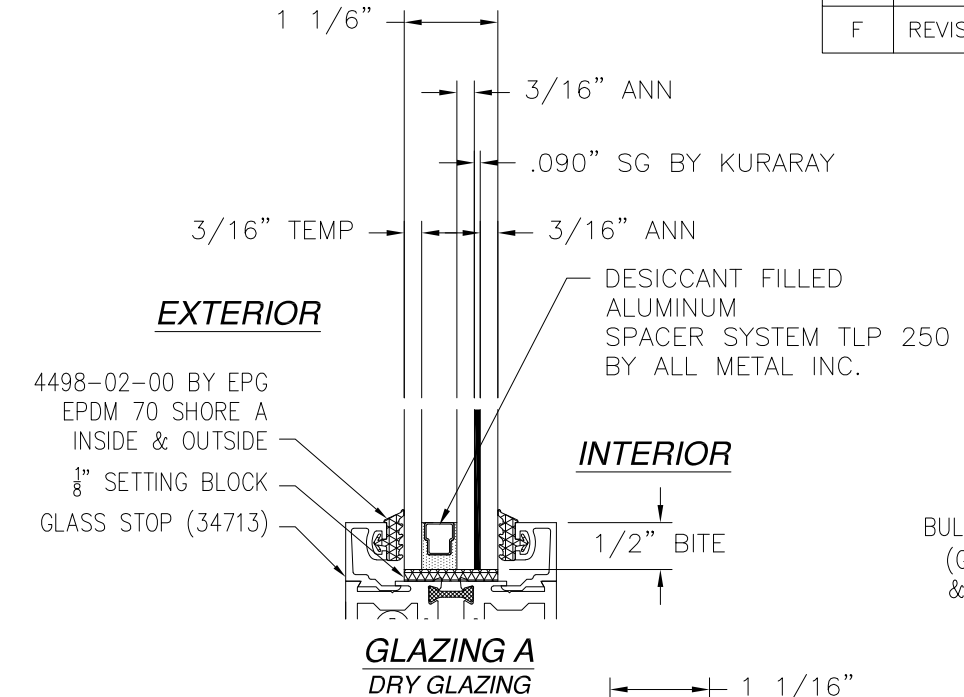
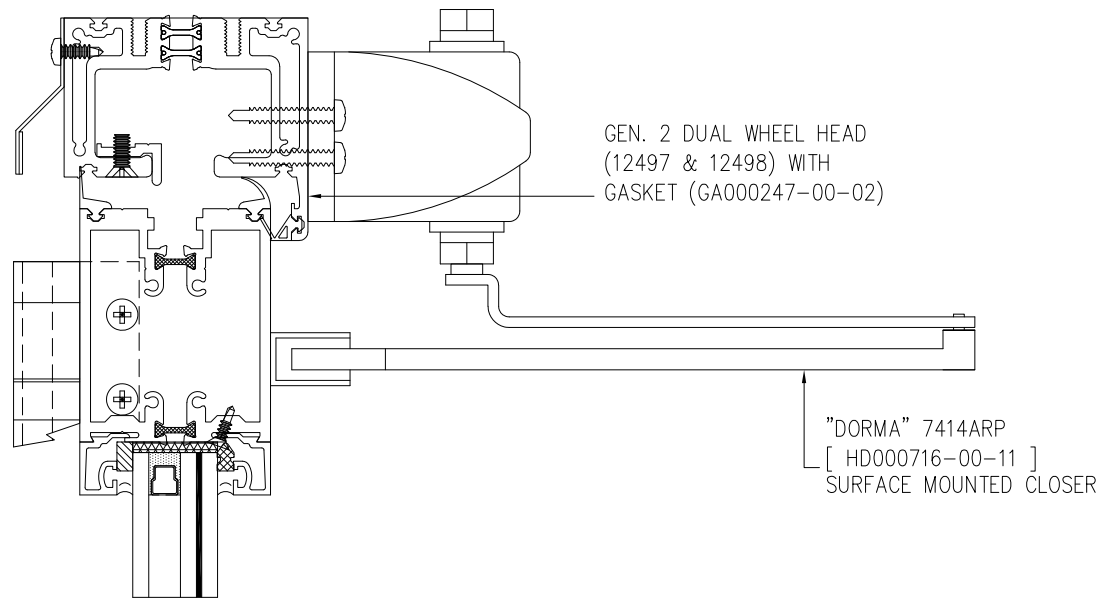
SIGNED: 12/18/2020

SOLAR INNOVATIONS, INC. 31 ROBERTS RD PINE GROVE, PA 17963		
SERIES SI3000 FGW 3X8 PANEL OUTFOLD ALL WALL IMPACT - HVHZ VERTICAL CROSS SECTION		
DRAWN: V.L.	DWG NO. 08-01795	REV F
SCALE NTS	DATE 10/12/2012	SHEET 5 OF 13
L. ROBERTO LOMAS P.E. 1432 WOODFORD RD LEWISVILLE, NC 27023 434-688-0609 rllomas@lrlomaspe.com		



Luis R. Lomas P.E.
FL No.: 62514

REVISIONS			
REV	DESCRIPTION	DATE	APPROVED
F	REVISED PER NEW REQUIREMENTS	12/08/2020	R.L.



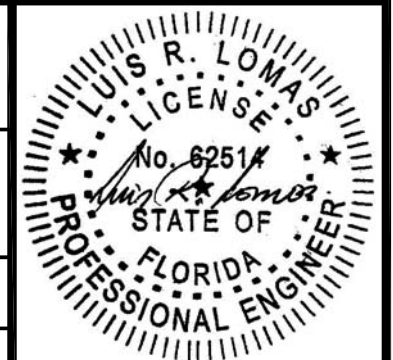
SIGNED: 12/18/2020

SOLAR INNOVATIONS, INC.
31 ROBERTS RD
PINE GROVE, PA 17963

SERIES S13000 FGW 3X8 PANEL OUTFOLD ALL WALL
IMPACT - HVHZ
PANIC BAR & GLAZING DETAILS

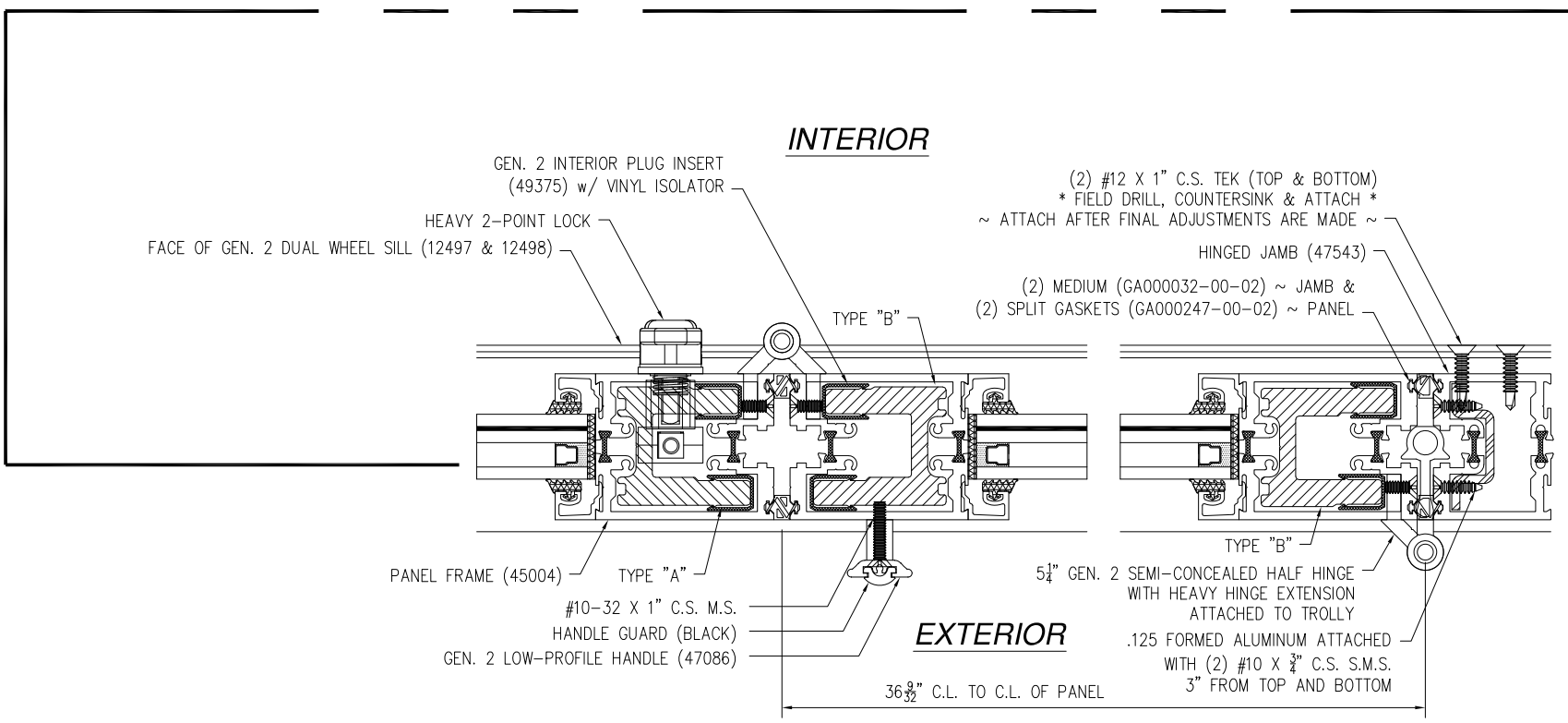
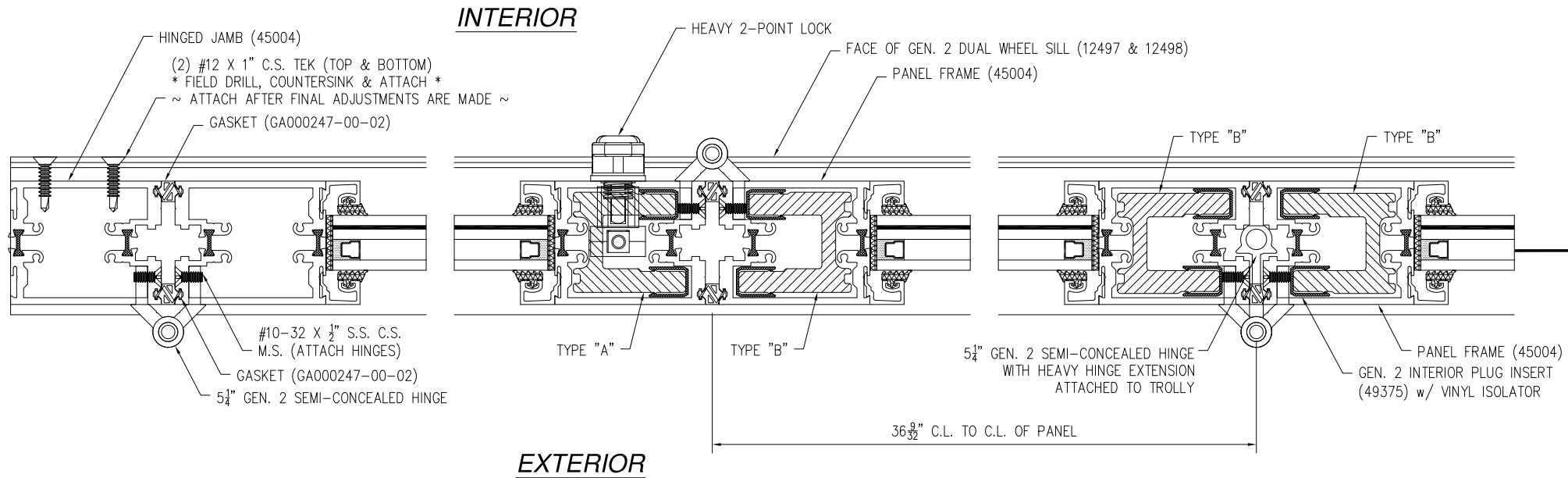
DRAWN: V.L.	DWG NO. 08-01795	REV F
SCALE NTS	DATE 10/12/2012	SHEET 6 OF 13

L. ROBERTO LOMAS P.E.
1432 WOODFORD RD LEWISVILLE, NC 27023
434-688-0609 rllomas@lrlomaspe.com



Luis R. Lomas P.E.
FL No.: 62514

REVISIONS			
REV	DESCRIPTION	DATE	APPROVED
F	REVISED PER NEW REQUIREMENTS	12/08/2020	R.L.



HORIZONTAL CROSS SECTION

**FOR ILLUSTRATION PURPOSES ONLY
FOR INSTALLATION DETAILS
REFER TO SHEETS 9 - 11**

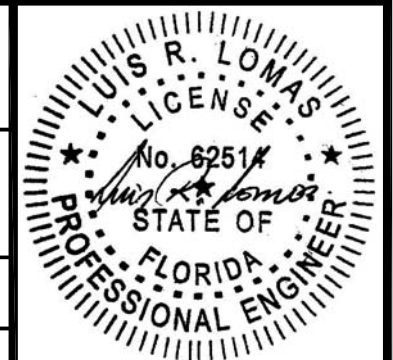
SIGNED: 12/18/2020

SOLAR INNOVATIONS, INC.
31 ROBERTS RD
PINE GROVE, PA 17963

SERIES SI3000 FGW 3X8 PANEL OUTFOLD ALL WALL
IMPACT - HVHZ
HORIZONTAL CROSS SECTIONS

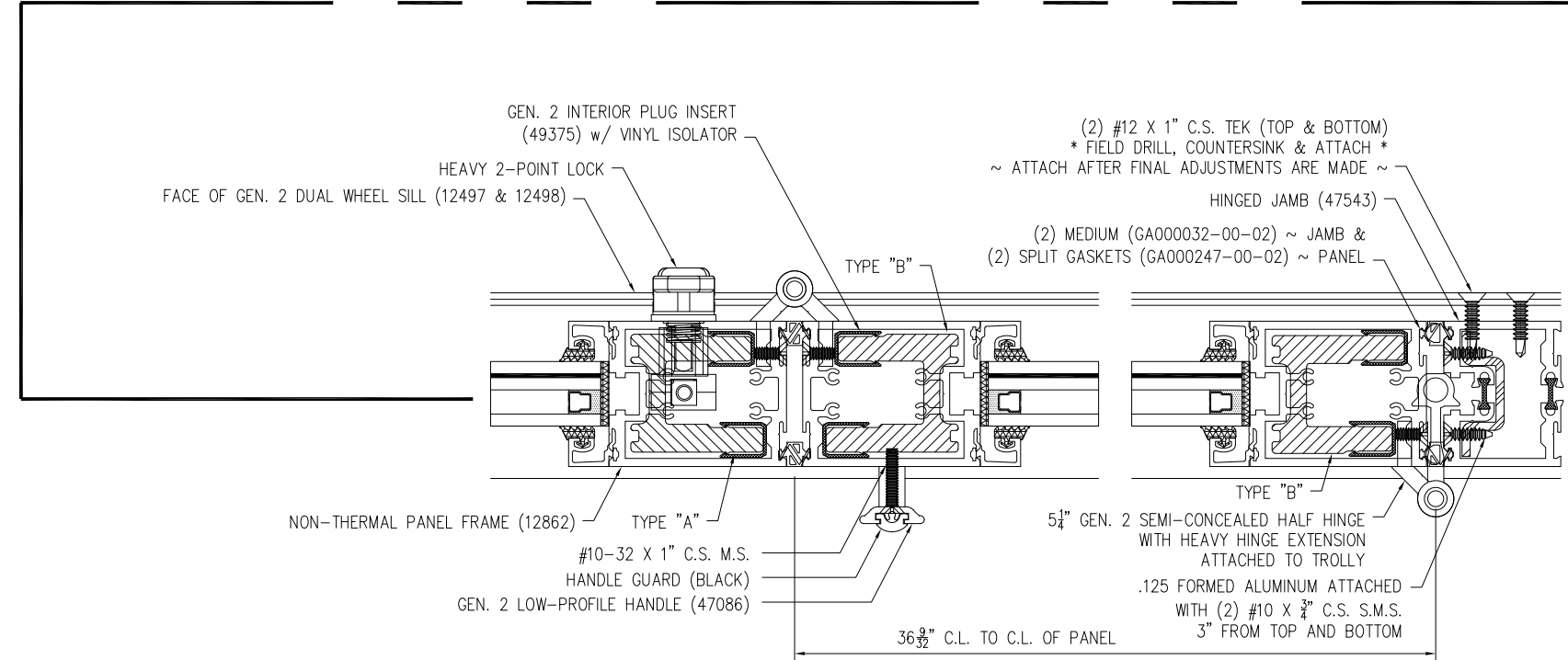
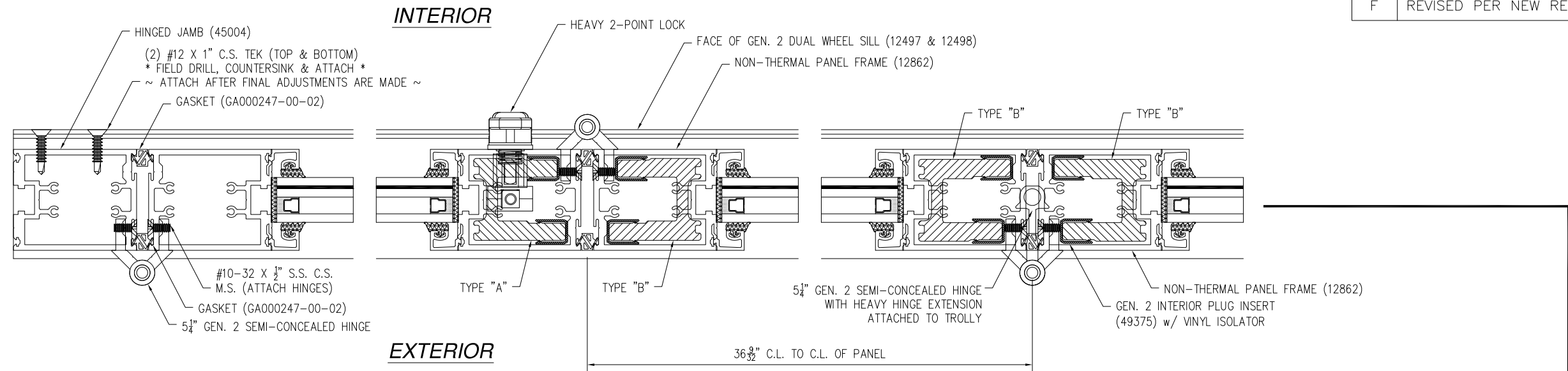
DRAWN: V.L.	DWG NO. 08-01795	REV F
SCALE NTS	DATE 10/12/2012	SHEET 7 OF 13

L. ROBERTO LOMAS P.E.
1432 WOODFORD RD LEWISVILLE, NC 27023
434-688-0609 rllomas@lrlomaspe.com



Luis R. Lomas P.E.
FL No.: 62514

REVISIONS			
REV	DESCRIPTION	DATE	APPROVED
F	REVISED PER NEW REQUIREMENTS	12/08/2020	R.L.



**FOR ILLUSTRATION PURPOSES ONLY
FOR INSTALLATION DETAILS
REFER TO SHEETS 9 - 11**

**HORIZONTAL CROSS SECTION
WITH NON-THERMAL RAILS**

SIGNED: 12/18/2020

SOLAR INNOVATIONS, INC.
31 ROBERTS RD
PINE GROVE, PA 17963

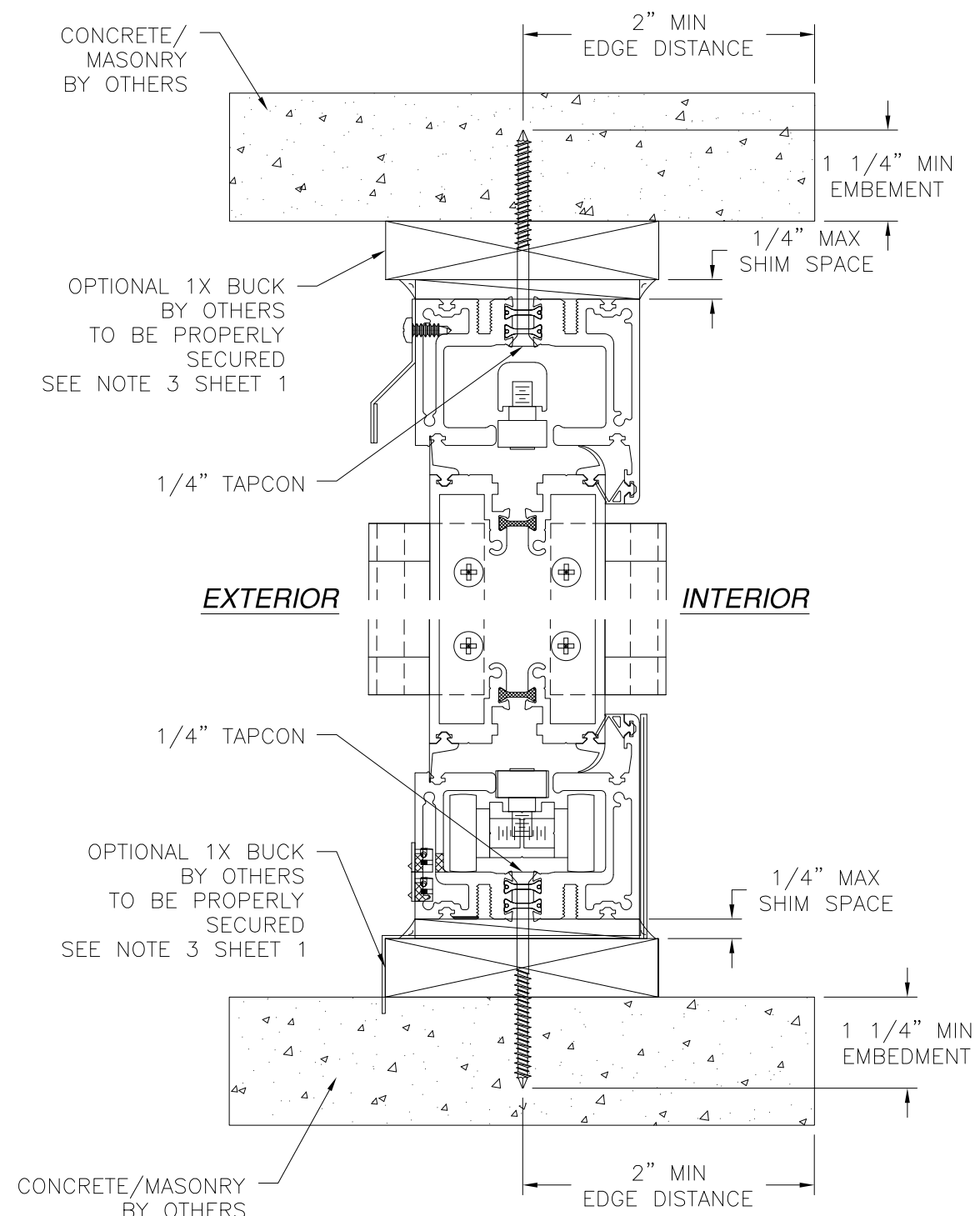
SERIES S13000 FGW 3X8 PANEL OUTFOLD ALL WALL
IMPACT - HVHZ
HORIZON CROSS SECTIONS (NON-THERMAL PANELS)

DRAWN: V.L.	DWG NO. 08-01795	REV F
SCALE NTS	DATE 10/12/2012	SHEET 8 OF 13

L. ROBERTO LOMAS P.E.
1432 WOODFORD RD LEWISVILLE, NC 27023
434-688-0609 rllomas@rlomaspe.com

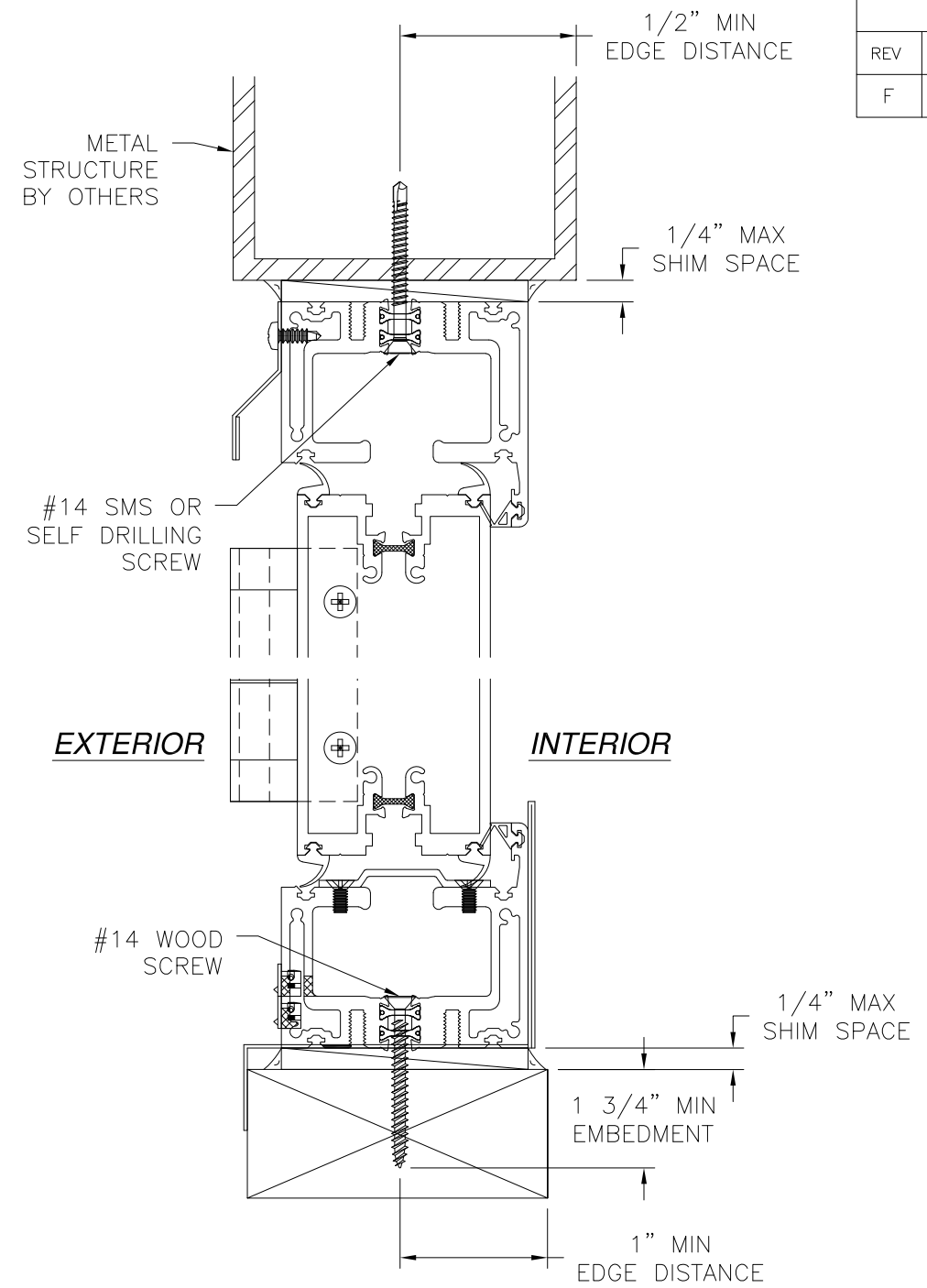


Luis R. Lomas P.E.
FL No.: 62514



VERTICAL CROSS SECTION
 CONCRETE/MASONRY INSTALLATION
 STANDARD SILL SHOWN FLUSH SILL SIMILAR

NOTES:
 1. INTERIOR AND EXTERIOR FINISHES, BY OTHERS, NOT SHOWN FOR CLARITY.
 2. PERIMETER AND JOINT SEALANT BY OTHERS TO BE DESIGNED IN ACCORDANCE WITH ASTM E2112



VERTICAL CROSS SECTION
 WOOD FRAMING OR 2X BUCK
 OR METAL STRUCTURE INSTALLATION
 STANDARD SILL SHOWN FLUSH SILL SIMILAR

REVISIONS			
REV	DESCRIPTION	DATE	APPROVED
F	REVISED PER NEW REQUIREMENTS	12/08/2020	R.L.

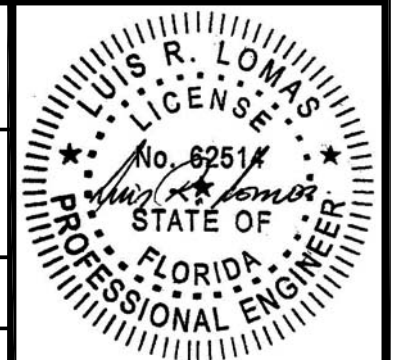
SOLAR INNOVATIONS, INC.
 31 ROBERTS RD
 PINE GROVE, PA 17963

SERIES S13000 FGW 3X8 PANEL OUTFOLD ALL WALL
 IMPACT - HVHZ
 INSTALLATION DETAILS

DRAWN: V.L.	DWG NO. 08-01795	REV F
SCALE NTS	DATE 10/12/2012	SHEET 9 OF 13

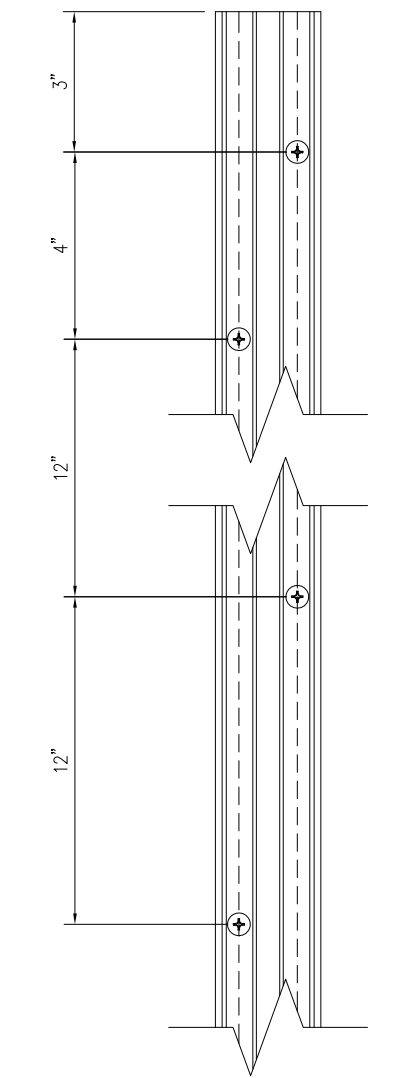
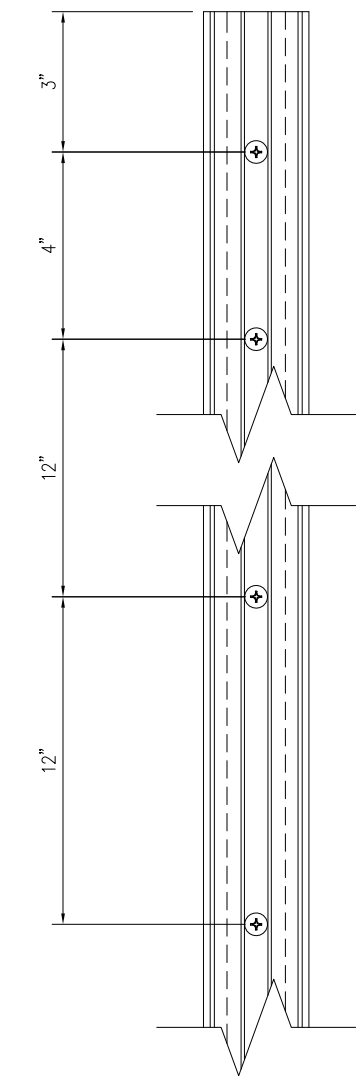
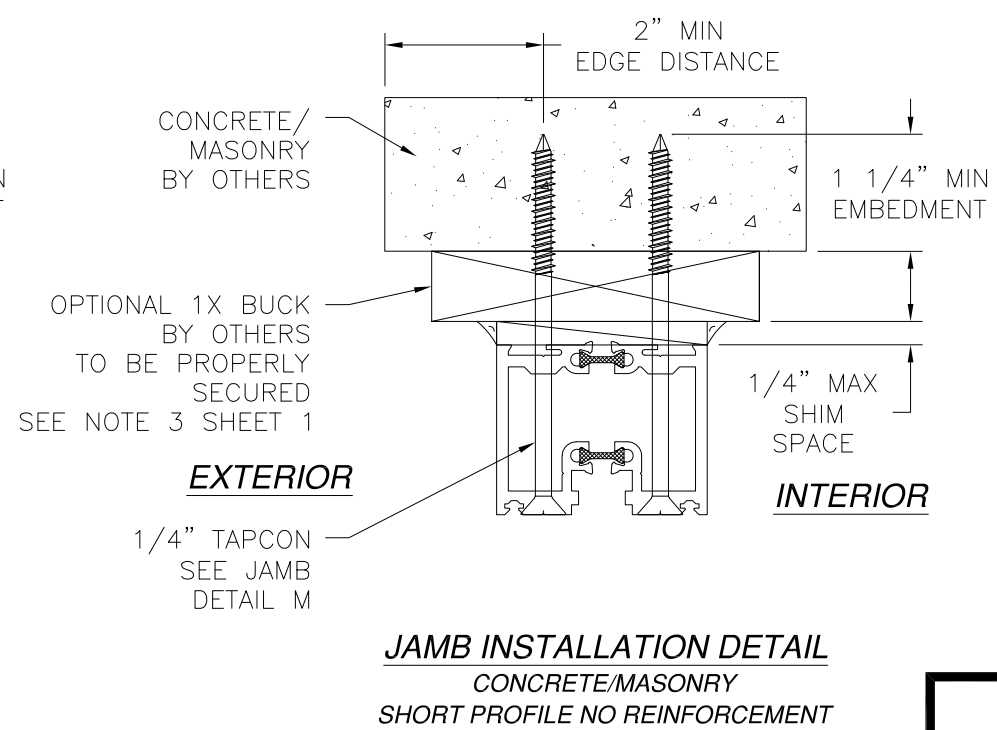
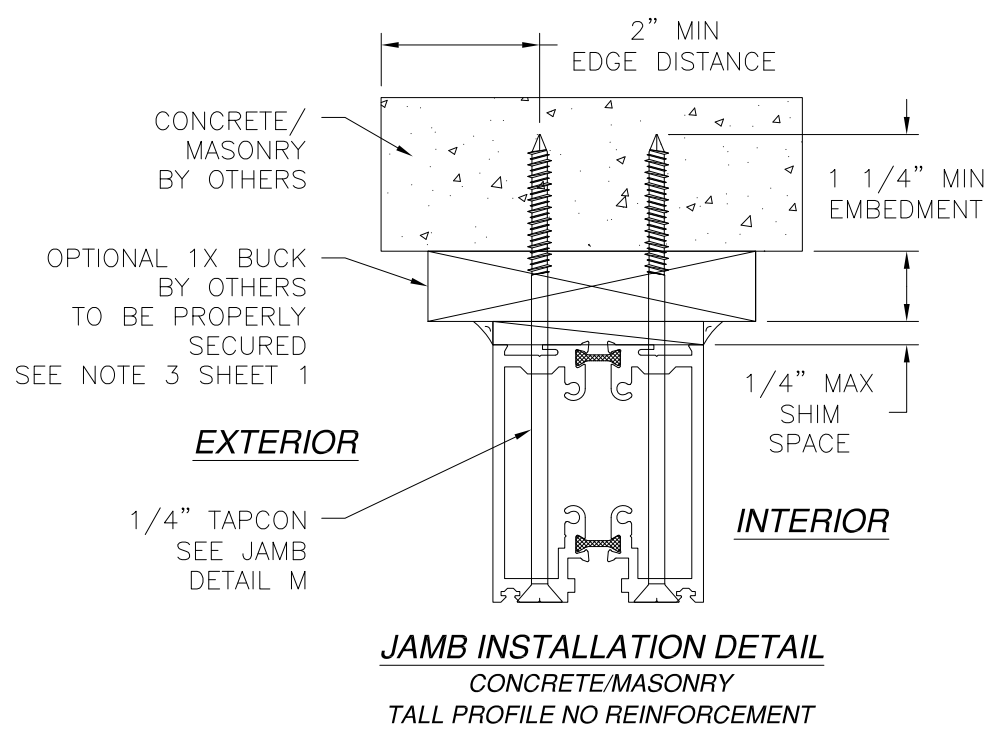
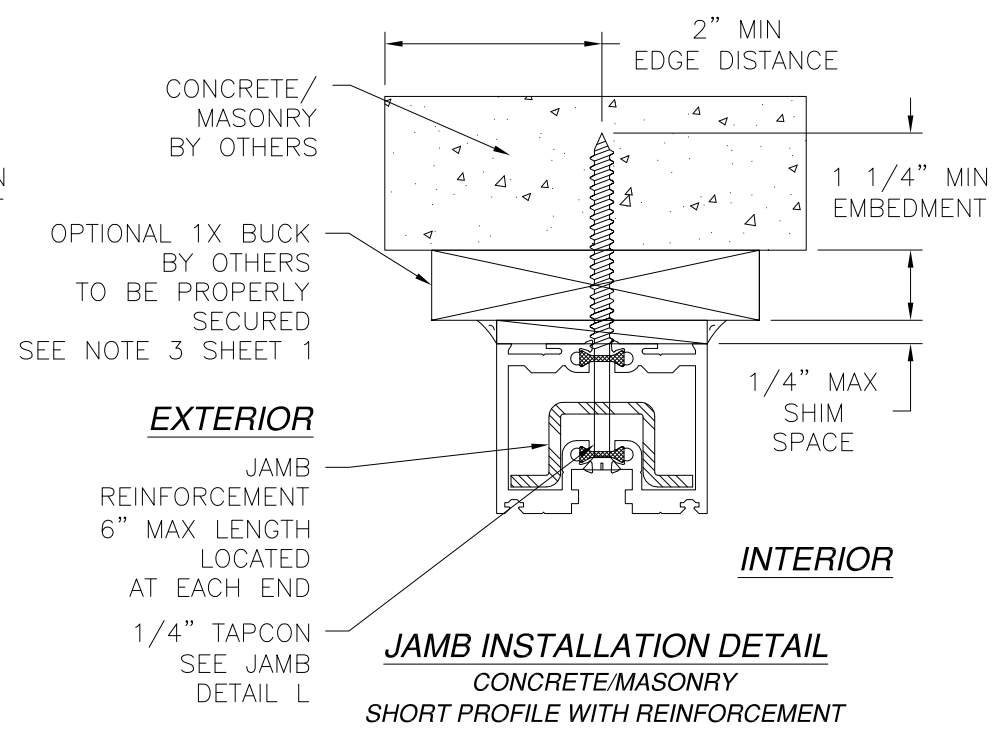
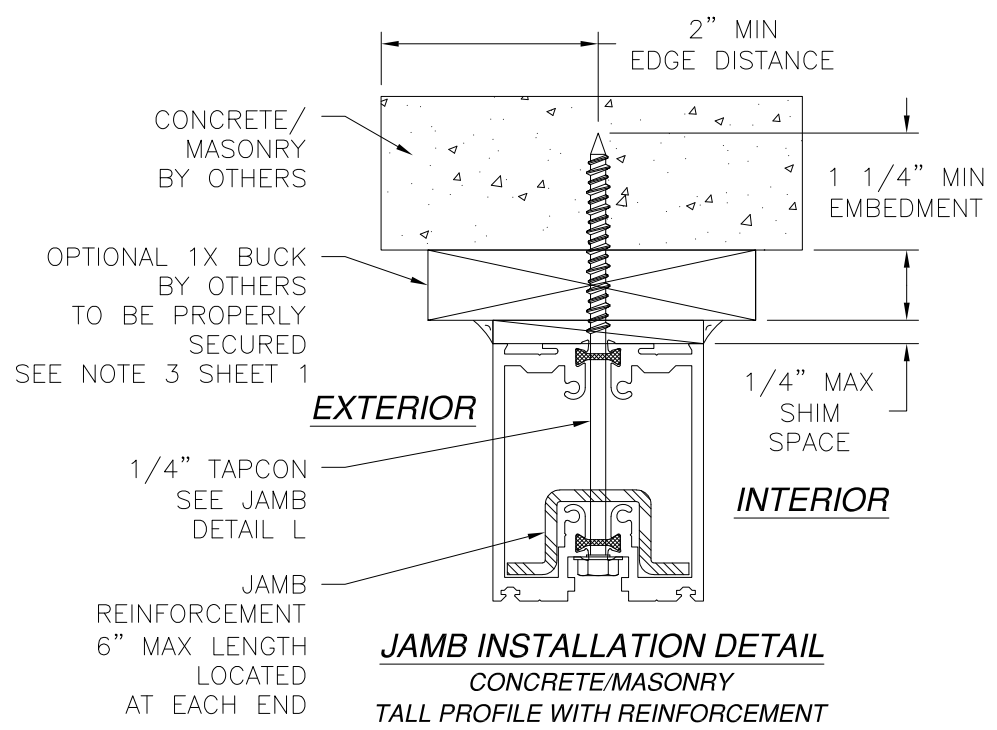
L. ROBERTO LOMAS P.E.
 1432 WOODFORD RD LEWISVILLE, NC 27023
 434-688-0609 rllomas@rlomaspe.com

SIGNED: 12/18/2020



Luis R. Lomas P.E.
 FL No.: 62514

REVISIONS			
REV	DESCRIPTION	DATE	APPROVED
F	REVISED PER NEW REQUIREMENTS	12/08/2020	R.L.



JAMB INSTALLATION DETAIL L
JAMB WITH REINFORCEMENT

JAMB INSTALLATION DETAIL M
JAMB WITHOUT REINFORCEMENT

SIGNED: 12/18/2020

NOTES:
 1. INTERIOR AND EXTERIOR FINISHES, BY OTHERS, NOT SHOWN FOR CLARITY.
 2. PERIMETER AND JOINT SEALANT BY OTHERS TO BE DESIGNED IN ACCORDANCE WITH ASTM E2112

SOLAR INNOVATIONS, INC.
 31 ROBERTS RD
 PINE GROVE, PA 17963

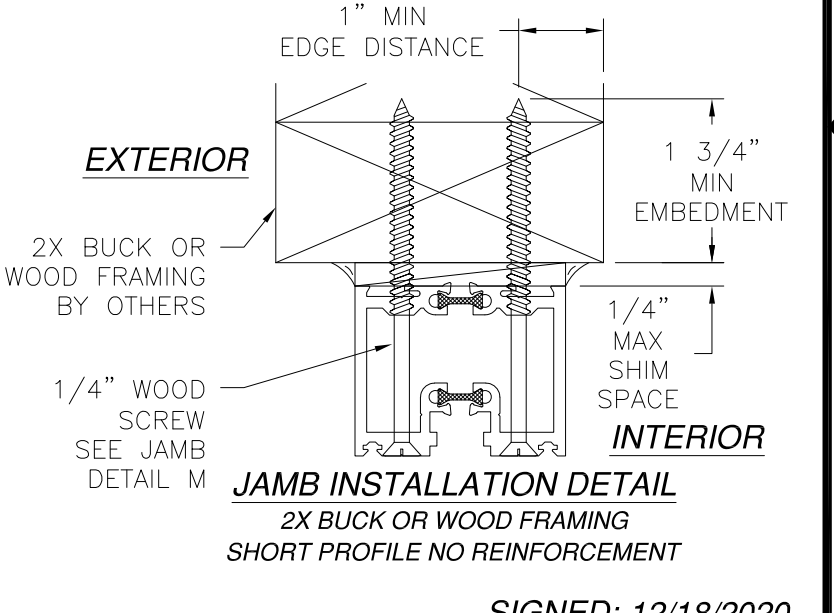
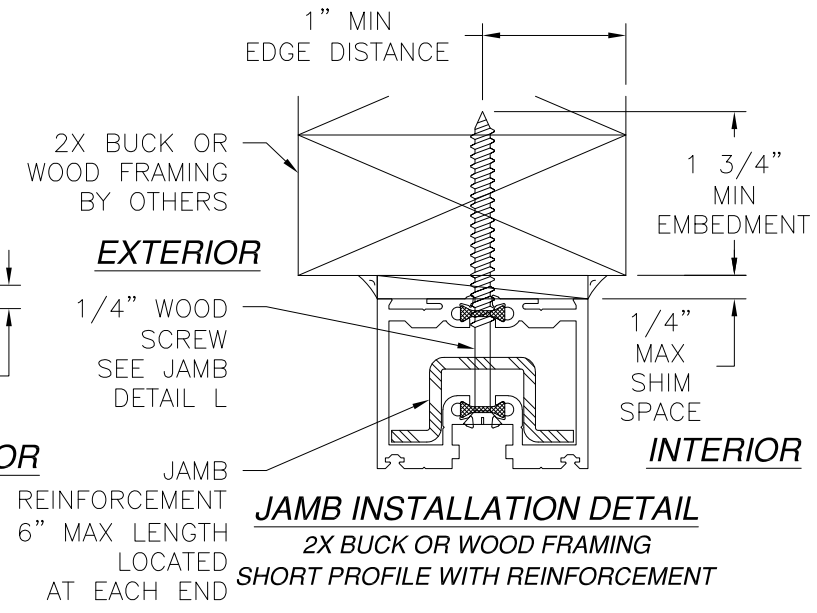
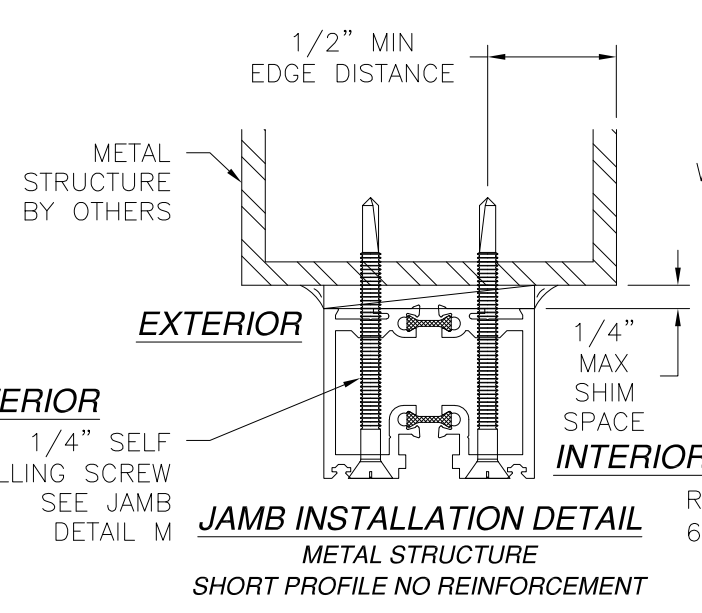
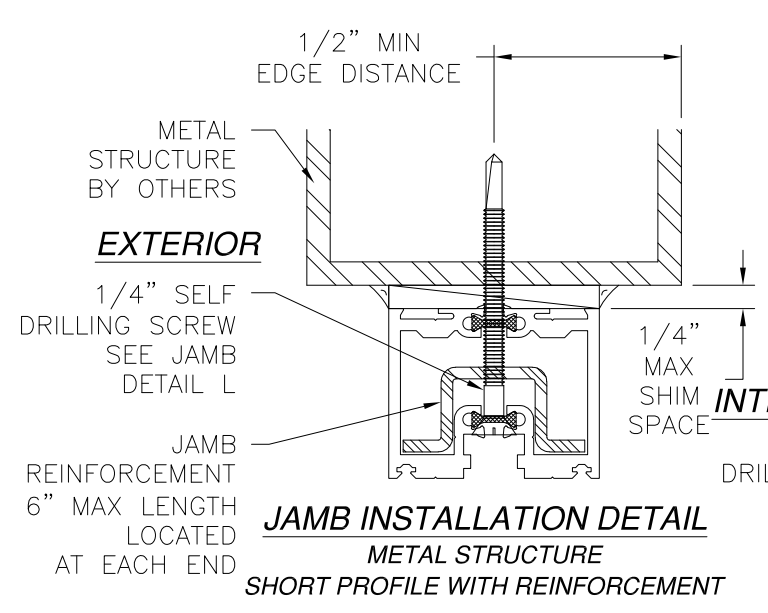
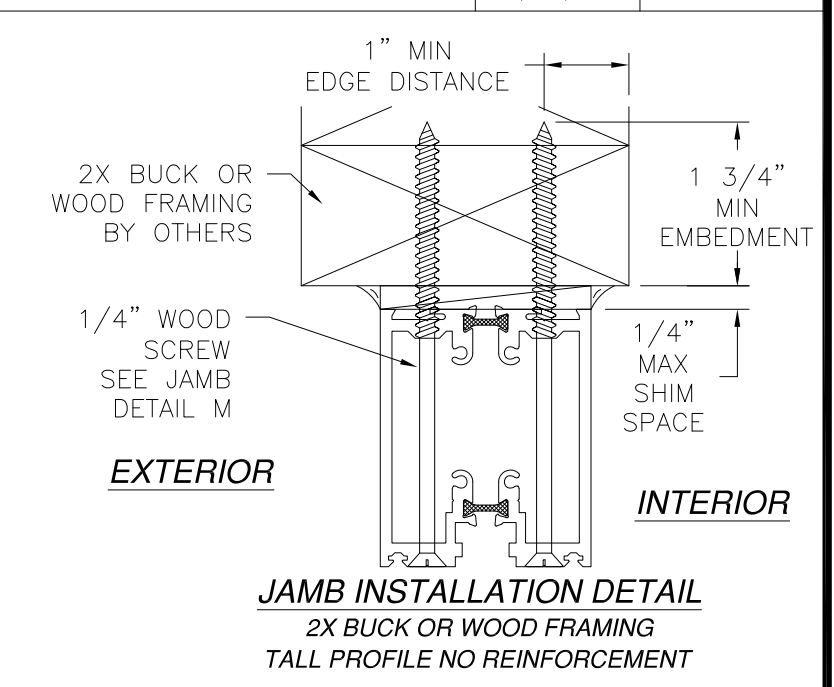
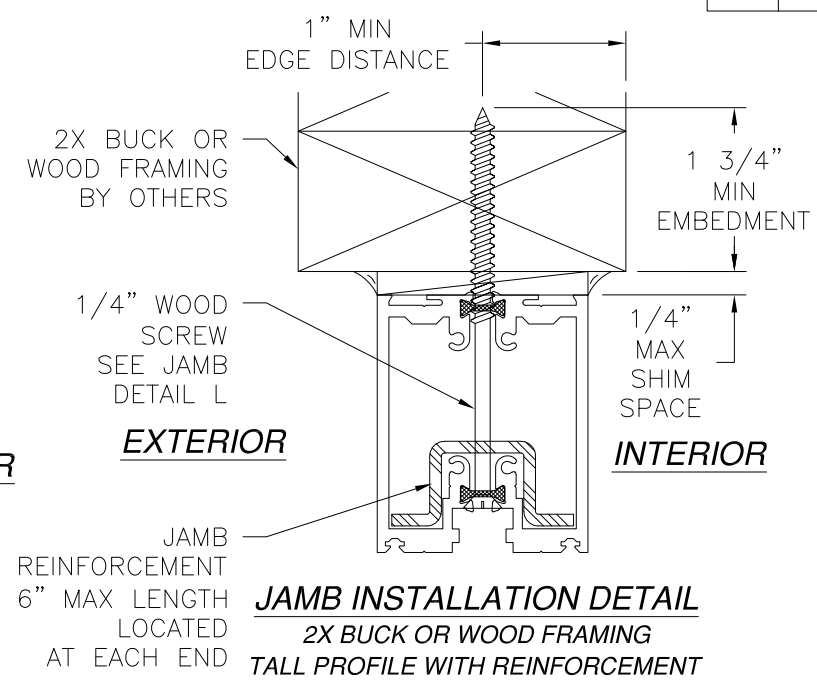
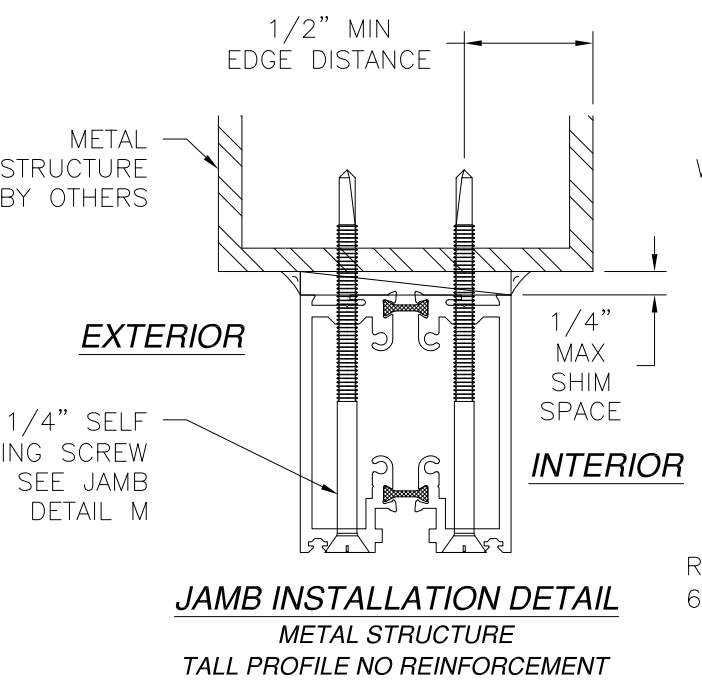
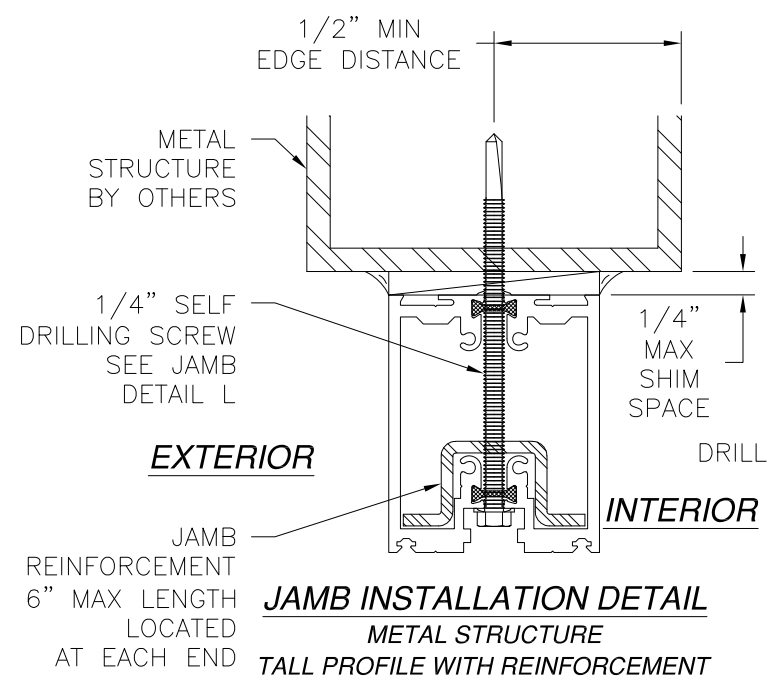
SERIES S13000 FGW 3X8 PANEL OUTFOLD ALL WALL
 IMPACT - HVHZ
 INSTALLATION DETAILS

DRAWN: V.L.	DWG NO. 08-01795	REV F
SCALE NTS	DATE 10/12/2012	SHEET 10 OF 13

L. ROBERTO LOMAS P.E.
 1432 WOODFORD RD LEWISVILLE, NC 27023
 434-688-0609 rllomas@rlomaspe.com

Luis R. Lomas P.E.
 FL No.: 62514

REVISIONS			
REV	DESCRIPTION	DATE	APPROVED
F	REVISED PER NEW REQUIREMENTS	12/08/2020	R.L.



NOTES:
 1. INTERIOR AND EXTERIOR FINISHES, BY OTHERS, NOT SHOWN FOR CLARITY.
 2. PERIMETER AND JOINT SEALANT BY OTHERS TO BE DESIGNED IN ACCORDANCE WITH ASTM E2112

SIGNED: 12/18/2020

SOLAR INNOVATIONS, INC.
 31 ROBERTS RD
 PINE GROVE, PA 17963

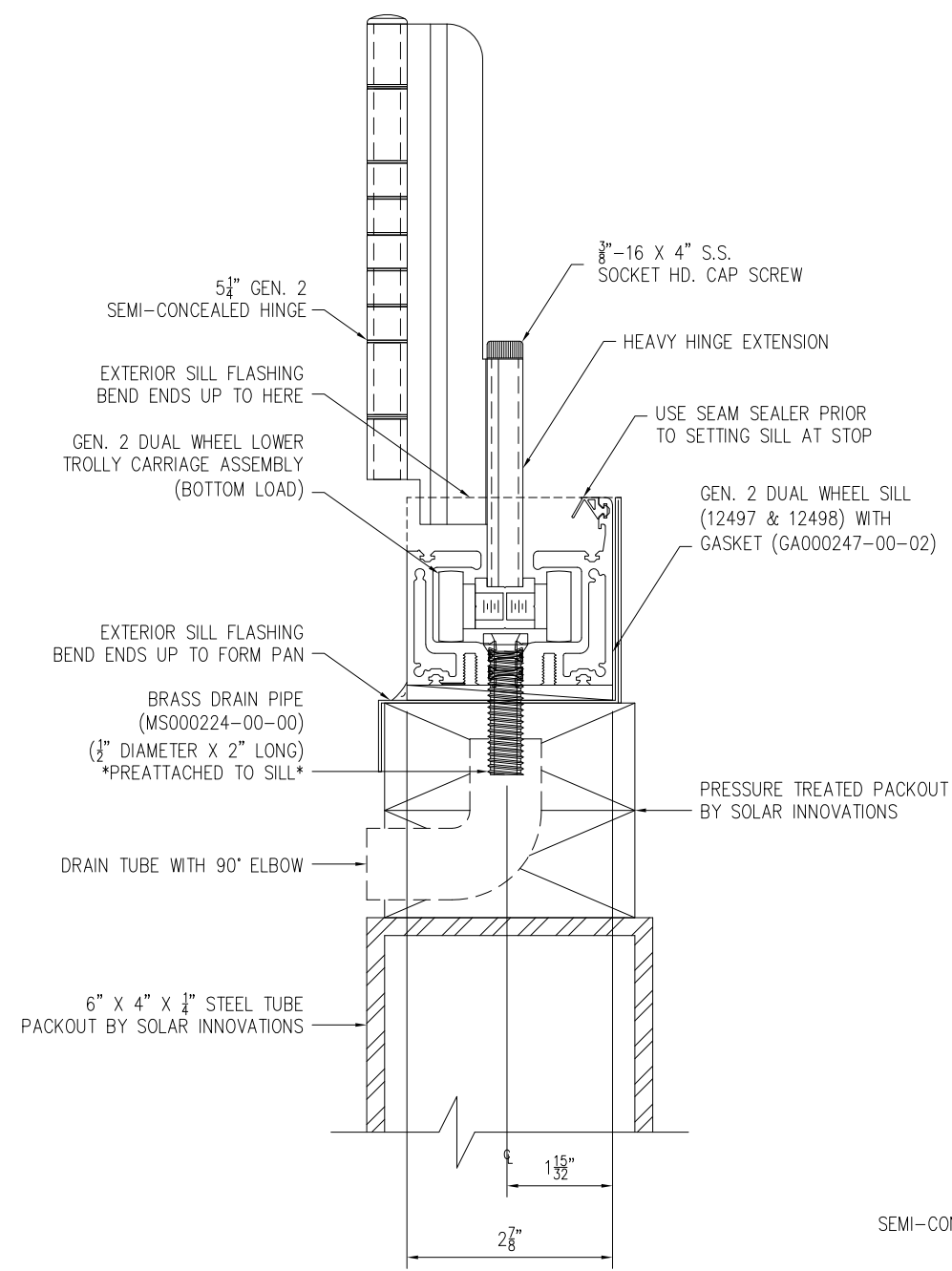
SERIES S13000 FGW 3X8 PANEL OUTFOLD ALL WALL
 IMPACT - HVHZ
 INSTALLATION DETAILS

DRAWN: V.L.	DWG NO. 08-01795	REV F
SCALE NTS	DATE 10/12/2012	SHEET 11 OF 13

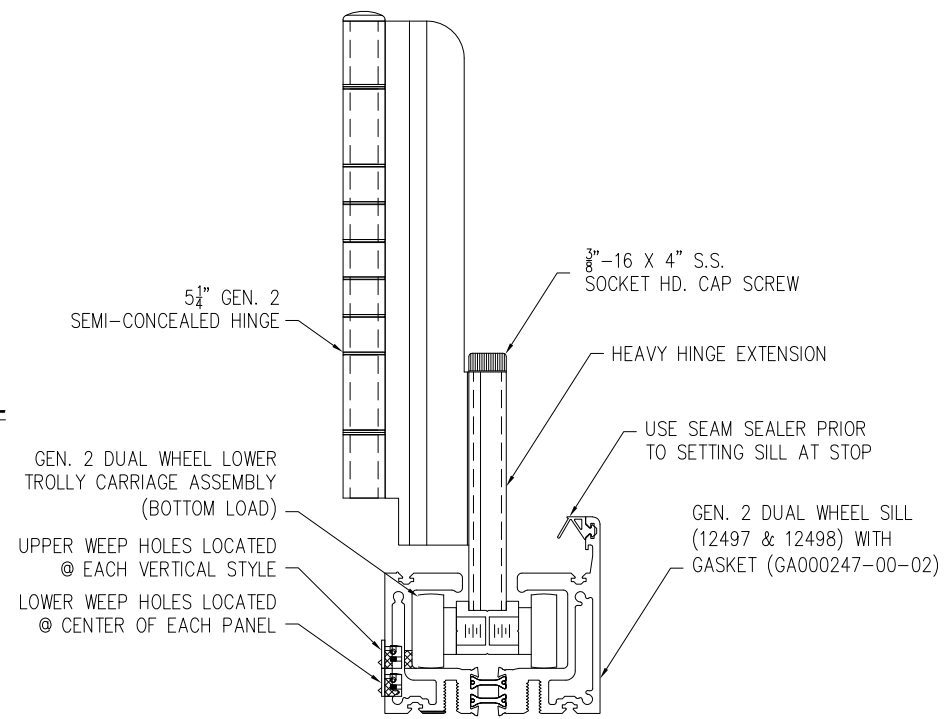
L. ROBERTO LOMAS P.E.
 1432 WOODFORD RD LEWISVILLE, NC 27023
 434-688-0609 rllomas@rlomaspe.com

Luis R. Lomas P.E.
 FL No.: 62514

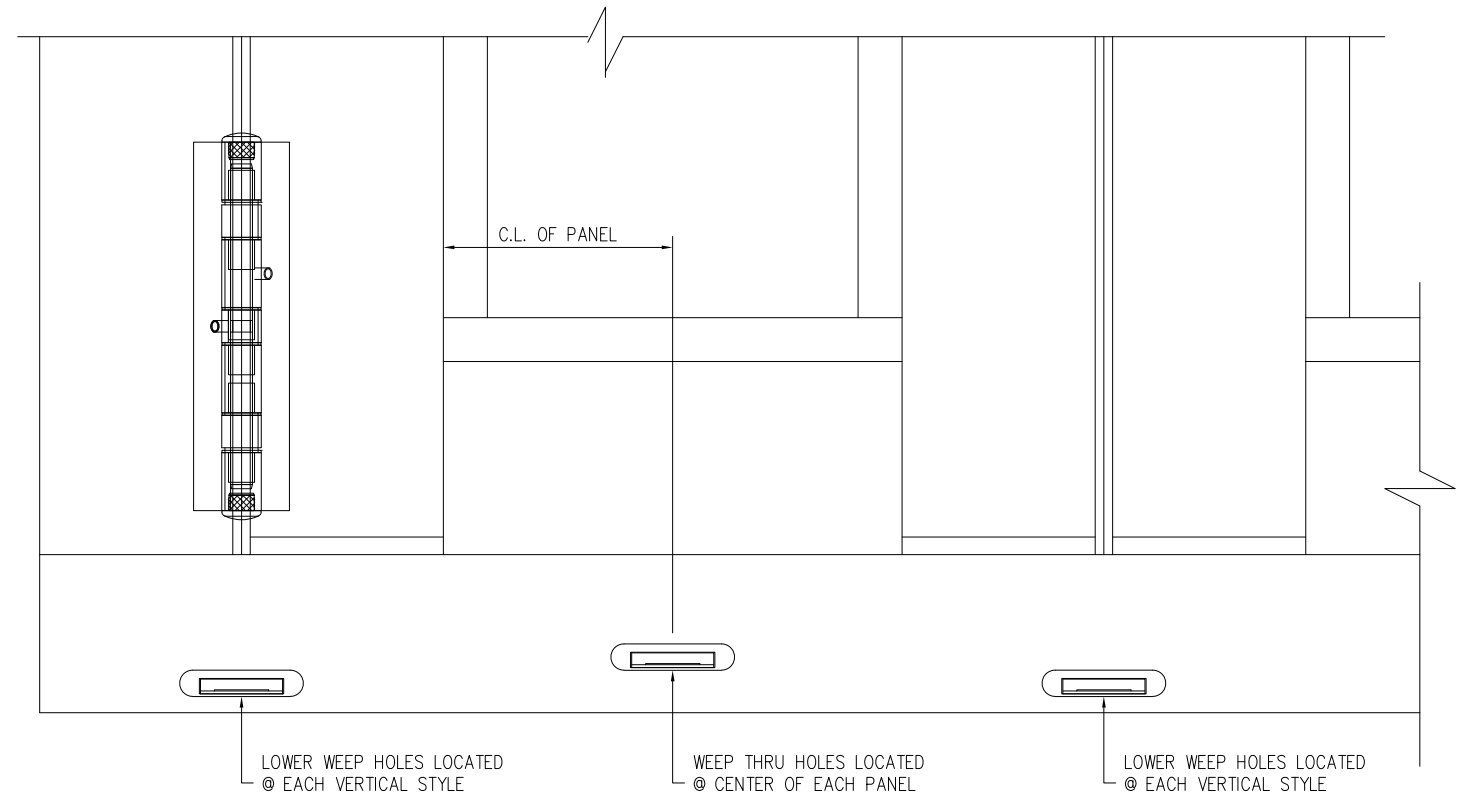
REVISIONS			
REV	DESCRIPTION	DATE	APPROVED
F	REVISED PER NEW REQUIREMENTS	12/08/2020	R.L.



DRAIN PIPE AND HINGE EXTENSION DETAIL



WEEP HOLE AND HINGE EXTENSION DETAIL



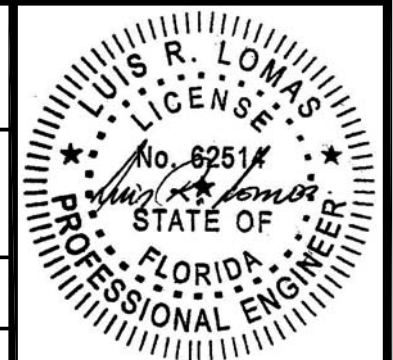
SOLAR INNOVATIONS, INC.
 31 ROBERTS RD
 PINE GROVE, PA 17963

SERIES SI3000 FGW 3X8 PANEL OUTFOLD ALL WALL
 IMPACT - HVHZ
 WEEP DETAILS

DRAWN: V.L.	DWG NO. 08-01795	REV F
SCALE NTS	DATE 10/12/2012	SHEET 12 OF 13

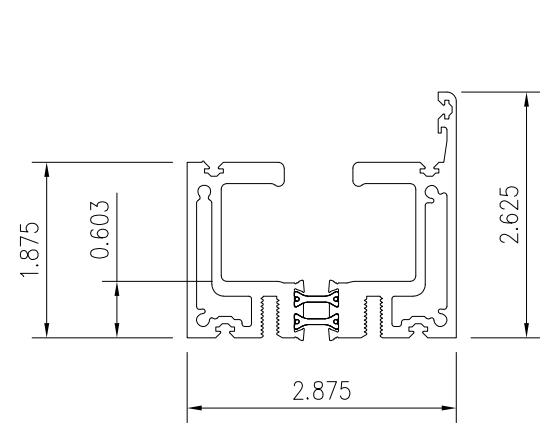
L. ROBERTO LOMAS P.E.
 1432 WOODFORD RD LEWISVILLE, NC 27023
 434-688-0609 rllomas@lrlomaspe.com

SIGNED: 12/18/2020

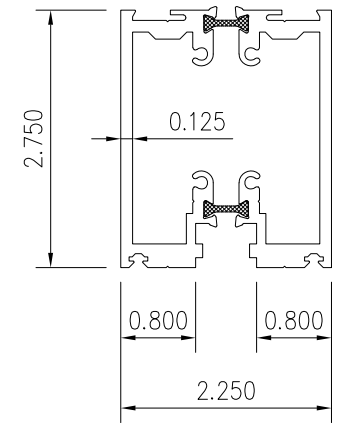


Luis R. Lomas P.E.
 FL No.: 62514

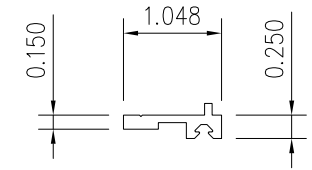
REVISIONS			
REV	DESCRIPTION	DATE	APPROVED
F	REVISED PER NEW REQUIREMENTS	12/08/2020	R.L.



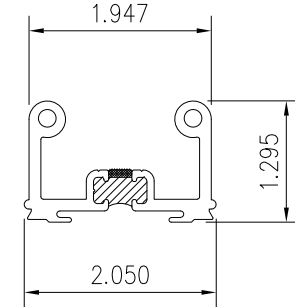
DUAL WHEEL
HEAD / SILL



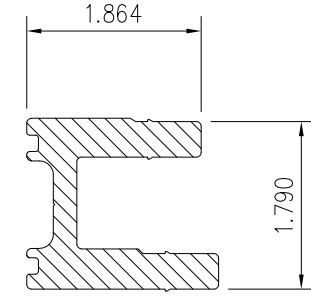
FRAME



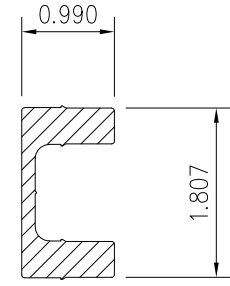
FRAME
CAP



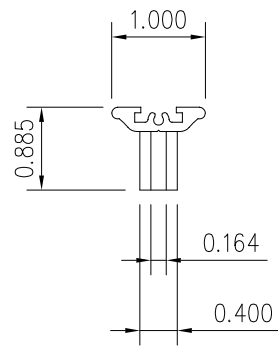
FRAME
LUG



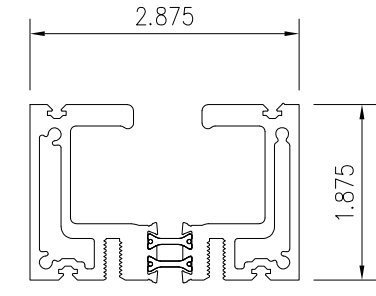
ALUMINUM
INSERT



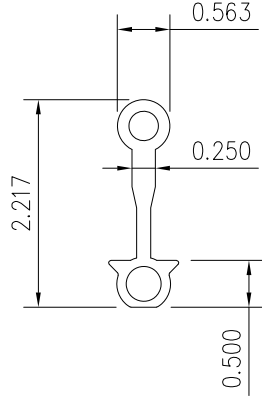
PANIC BAR
ALUMINUM INSERT



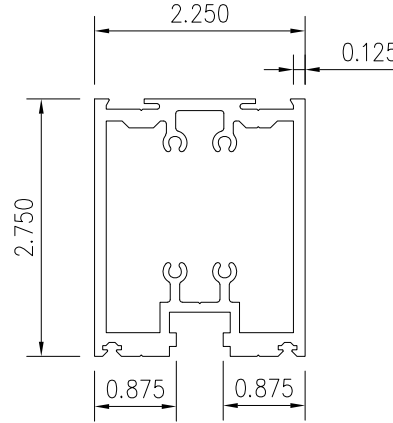
LOW-PROFILE
HANDLE



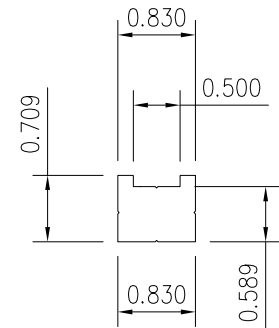
FLUSH SILL



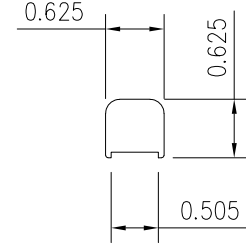
HINGE
EXTENSION



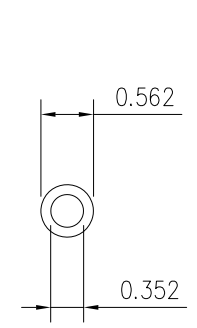
NON-THERMAL FRAME



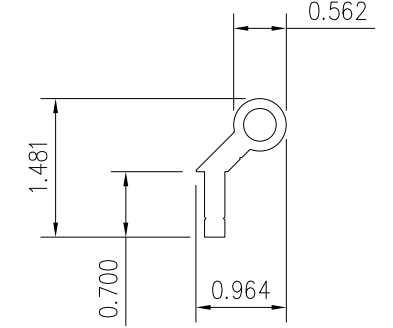
TROLLEY
BODY



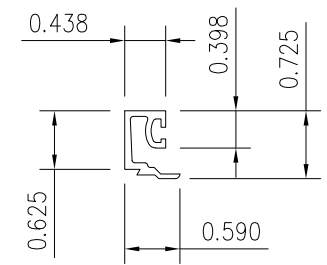
IDLER
BODY



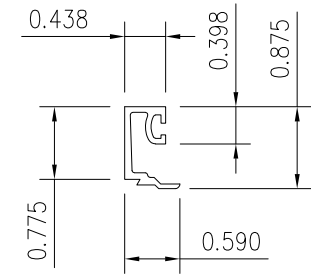
HINGE
BARREL



5 1/4" SEMI-
CONCEALED HINGE



1" GLASS
STOP



1/2" GLASS
STOP

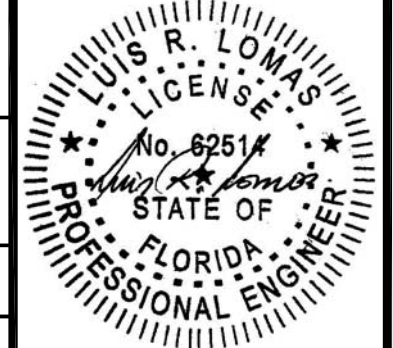
SOLAR INNOVATIONS, INC.
31 ROBERTS RD
PINE GROVE, PA 17963

SERIES SI3000 FGW 3X8 PANEL OUTFOLD ALL WALL
IMPACT - HVHZ
COMPONENTS

DRAWN: V.L.	DWG NO. 08-01795	REV F
SCALE NTS	DATE 10/12/2012	SHEET 13 OF 13

L. ROBERTO LOMAS P.E.
1432 WOODFORD RD LEWISVILLE, NC 27023
434-688-0609 rllomas@lrlomaspe.com

SIGNED: 12/18/2020



Luis R. Lomas P.E.
FL No.: 62514