

REVISIONS			
REV	DESCRIPTION	DATE	APPROVED
C	REVISED PER NEW REQUIREMENTS	12/14/2020	R.L.

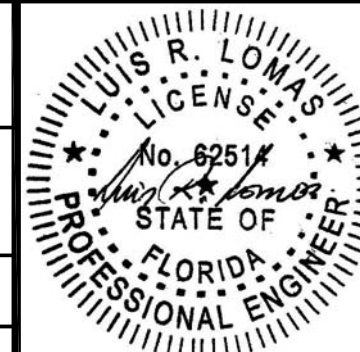
NOTES:

1. THE PRODUCT SHOWN HEREIN IS DESIGNED AND MANUFACTURED TO COMPLY WITH REQUIREMENTS OF THE FLORIDA BUILDING CODE INCLUDING THE HVHZ.
2. WOOD FRAMING AND MASONRY OPENING TO BE DESIGNED AND ANCHORED TO PROPERLY TRANSFER ALL LOADS TO STRUCTURE. FRAMING AND MASONRY OPENING IS THE RESPONSIBILITY OF THE ARCHITECT OR ENGINEER OF RECORD.
3. 1X BUCK OVER MASONRY/CONCRETE IS OPTIONAL. WHERE 1X BUCK IS NOT USED DISSIMILAR MATERIALS MUST BE SEPARATED WITH APPROVED COATING OR MEMBRANE. SELECTION OF COATING OR MEMBRANE IS THE RESPONSIBILITY OF THE ARCHITECT OR ENGINEER OF RECORD.
4. ALLOWABLE STRESS INCREASE OF 1/3 WAS NOT USED IN THE DESIGN OF THE PRODUCT SHOWN HEREIN. WIND LOAD DURATION FACTOR Cd=1.6 WAS USED FOR WOOD ANCHOR CALCULATIONS.
5. FRAME MATERIAL: ALUMINUM 6063-T6, 6063-T5 AND 6005A-T5.
6. UNITS MUST BE GLAZED PER ASTM E1300, SEE SHEET 8 FOR GLASS DETAILS.
7. APPROVED IMPACT PROTECTIVE SYSTEM IS NOT REQUIRED FOR THIS PRODUCT IN WIND BORNE DEBRIS REGIONS.
8. SHIM AS REQUIRED AT EACH INSTALLATION ANCHOR WITH LOAD BEARING SHIM. SHIM WHERE SPACE OF 1/16" OR GREATER OCCURS. MAXIMUM ALLOWABLE SHIM STACK TO BE 1/4".
9. FOR ANCHORING INTO WOOD FRAMING OR 2X BUCK USE #14 WOOD SCREWS WITH SUFFICIENT LENGTH TO ACHIEVE A 1 3/4" MINIMUM EMBEDMENT INTO SUBSTRATE. LOCATE ANCHORS AS SHOWN IN ELEVATIONS AND INSTALLATION DETAILS.
10. FOR ANCHORING INTO MASONRY/CONCRETE USE 1/4" TAPCONS WITH SUFFICIENT LENGTH TO ACHIEVE A 1 1/4" MINIMUM EMBEDMENT INTO SUBSTRATE WITH 2" MINIMUM EDGE DISTANCE. LOCATE ANCHORS AS SHOWN IN ELEVATIONS AND INSTALLATION DETAILS.
11. FOR ANCHORING INTO METAL STRUCTURE USE #14 SMS OR SELF DRILLING SCREWS WITH SUFFICIENT LENGTH TO ACHIEVE 3 THREADS MINIMUM BEYOND STRUCTURE INTERIOR WALL. LOCATE ANCHORS AS SHOWN IN ELEVATIONS AND INSTALLATION DETAILS.
12. ALL FASTENERS TO BE CORROSION RESISTANT.
13. INSTALLATION ANCHORS SHALL BE INSTALLED IN ACCORDANCE WITH ANCHOR MANUFACTURER'S INSTALLATION INSTRUCTIONS AND ANCHORS SHALL NOT BE USED IN SUBSTRATES WITH STRENGTHS LESS THAN THE MINIMUM STRENGTH SPECIFIED BELOW:
 - A. WOOD – MINIMUM SPECIFIC GRAVITY OF G=0.42
 - B. CONCRETE – MINIMUM COMPRESSIVE STRENGTH OF 3,000 PSI.
 - C. MASONRY – STRENGTH CONFORMANCE TO ASTM C-90, GRADE N, TYPE 1 (OR GREATER).
 - D. METAL STRUCTURE: STEEL 18GA, 33KSI OR ALUMINUM 6063-T5 .125" THICK MINIMUM

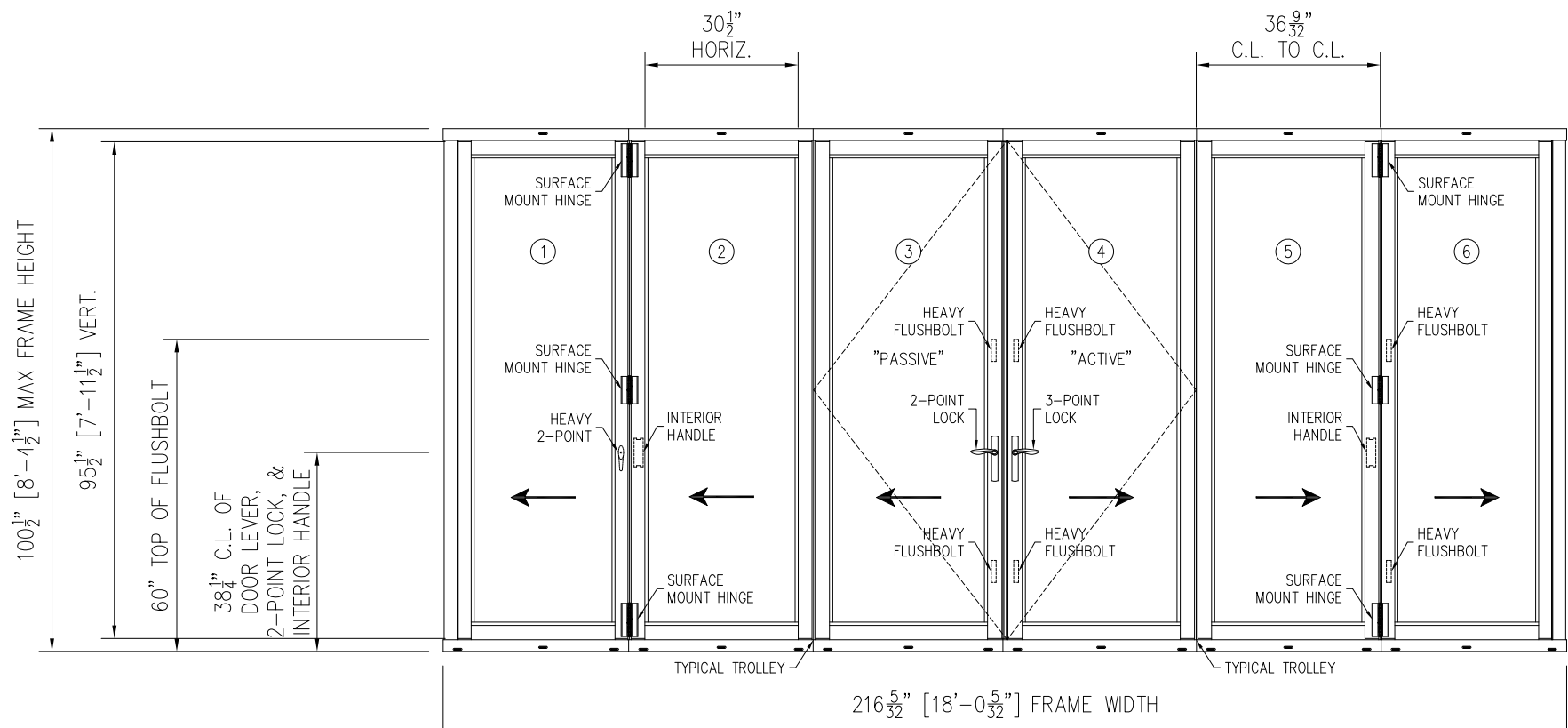
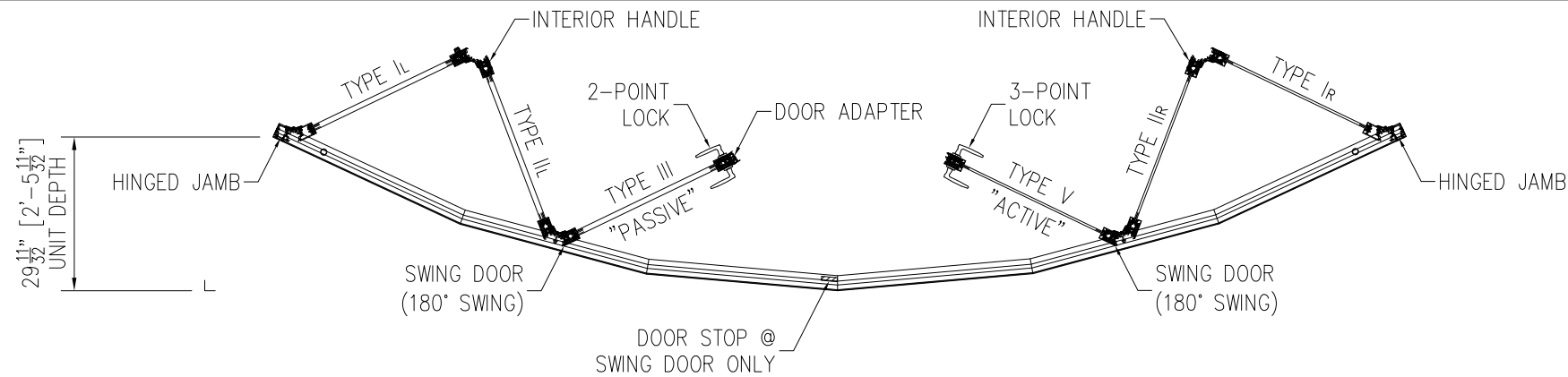
TABLE OF CONTENTS	
SHEET NO.	DESCRIPTION
1	NOTES
2	ELEVATION AND DESIGN PRESSURE CHARTS
3	ANCHORING LAYOUT
4 – 7	CROSS SECTIONS
8	GLAZING DETAILS
9 – 12	INSTALLATION DETAILS
13	WEEP DETAILS
14	COMPONENTS

SOLAR INNOVATIONS, INC. 31 ROBERTS RD PINE GROVE, PA 17963		
SERIES SI3000 IMPACT FGW 3X8 PANEL RADIUS WALL NOTES		
DRAWN: V.L.	DWG NO. 08-01877	REV C
SCALE NTS	DATE 12/20/12	SHEET 1 OF 14
L. ROBERTO LOMAS P.E. 1432 WOODFORD RD LEWISVILLE, NC 27023 434-688-0609 rllomas@lrlomaspe.com		

SIGNED: 12/14/2020



Luis R. Lomas P.E.
FL No.: 62514



SERIES SI3000 IMPACT FGW 3X8 PANEL RADIUS WALL

EXTERIOR VIEW

UNLIMITED NUMBER OF PANELS IN UNLIMITED CONFIGURATION ARE APPROVED AS LONG AS INDIVIDUAL PANEL AREA DOES NOT EXCEED 24.06 FT² AND USES VERTICAL CONDITIONS AS SHOWN.

DESIGN PRESSURE RATING	IMPACT RATING
+60.0/-70.0PSF	LARGE AND SMALL MISSILE IMPACT

MISSILE LEVEL D, WIND ZONE 4, AND HVHZ

WHERE WATER RESISTANCE IS REQUIRED, SEE CHART #1

DESIGN PRESSURE RATING	IMPACT RATING
±70.0PSF	LARGE AND SMALL MISSILE IMPACT

MISSILE LEVEL D, WIND ZONE 4, AND HVHZ

WHERE WATER RESISTANCE IS NOT REQUIRED, SEE CHART #2

HARDWARE SCHEDULE

- A. SEMI-CONCEALED HINGE BY SOLAR INNOVATIONS
- B. 2 POINT HANDLE & LOCK MS000487-XX BY SOLAR INNOVATIONS
- C. 3 POINT HANDLE & LOCK BY SOLAR INNOVATIONS
- D. HEAVY FLUSH BOLTS MD000442-00-XX BY SOLAR INNOVATIONS
- E. SURFACE MOUNT HINGE BY SOLAR INNOVATIONS

REVISIONS			
REV	DESCRIPTION	DATE	APPROVED
C	REVISED PER NEW REQUIREMENTS	12/14/2020	R.L.

Chart # 1
Maximum Design pressure (psf)

Panel Height (in)	Single Panel Width (in)									
	24.0		30.0		36.28		42.0000		44.000	
	Pos	Neg	Pos	Neg	Pos	Neg	Pos	Neg	Pos	Neg
78.0	60.0	80.0	60.0	80.0	60.0	80.0	60.0	74.0	60.0	70.7
84.0	60.0	80.0	60.0	80.0	60.0	79.6	-	-	-	-
90.0	60.0	80.0	60.0	80.0	60.0	74.3	-	-	-	-
95.5	60.0	80.0	60.0	80.0	60.0	70.0	-	-	-	-
96.0	60.0	80.0	60.0	80.0	-	-	-	-	-	-
102.0	60.0	80.0	60.0	67.9	-	-	-	-	-	-
108.0	60.0	70.4	56.9	56.9	-	-	-	-	-	-
114.0	59.7	59.7	48.3	48.3	-	-	-	-	-	-
120.0	51.1	51.1	-	-	-	-	-	-	-	-
126.0	44.1	44.1	-	-	-	-	-	-	-	-
132.0	38.3	38.3	-	-	-	-	-	-	-	-
138.0	33.5	33.5	-	-	-	-	-	-	-	-
144.0	29.4	29.4	-	-	-	-	-	-	-	-

Chart # 2
Maximum Design pressure (psf)

Panel Height (in)	Single Panel Width (in)									
	24.0		30.0		36.28		42.0000		44.000	
	Pos	Neg	Pos	Neg	Pos	Neg	Pos	Neg	Pos	Neg
78.0	80.0	80.0	80.0	80.0	80.0	80.0	74.0	74.0	70.7	70.7
84.0	80.0	80.0	80.0	80.0	79.6	79.6	-	-	-	-
90.0	80.0	80.0	80.0	80.0	74.3	74.3	-	-	-	-
95.5	80.0	80.0	80.0	80.0	70.0	70.0	-	-	-	-
96.0	80.0	80.0	80.0	80.0	-	-	-	-	-	-
102.0	80.0	80.0	67.9	67.9	-	-	-	-	-	-
108.0	70.4	70.4	56.9	56.9	-	-	-	-	-	-
114.0	59.7	59.7	48.3	48.3	-	-	-	-	-	-
120.0	51.1	51.1	-	-	-	-	-	-	-	-
126.0	44.1	44.1	-	-	-	-	-	-	-	-
132.0	38.3	38.3	-	-	-	-	-	-	-	-
138.0	33.5	33.5	-	-	-	-	-	-	-	-
144.0	29.4	29.4	-	-	-	-	-	-	-	-

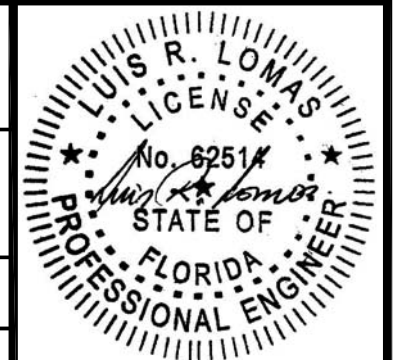
SIGNED: 12/14/2020

SOLAR INNOVATIONS, INC.
31 ROBERTS RD
PINE GROVE, PA 17963

SERIES SI3000 IMPACT FGW 3X8 PANEL RADIUS WALL
ELEVATION AND DESIGN PRESSURE CHARTS

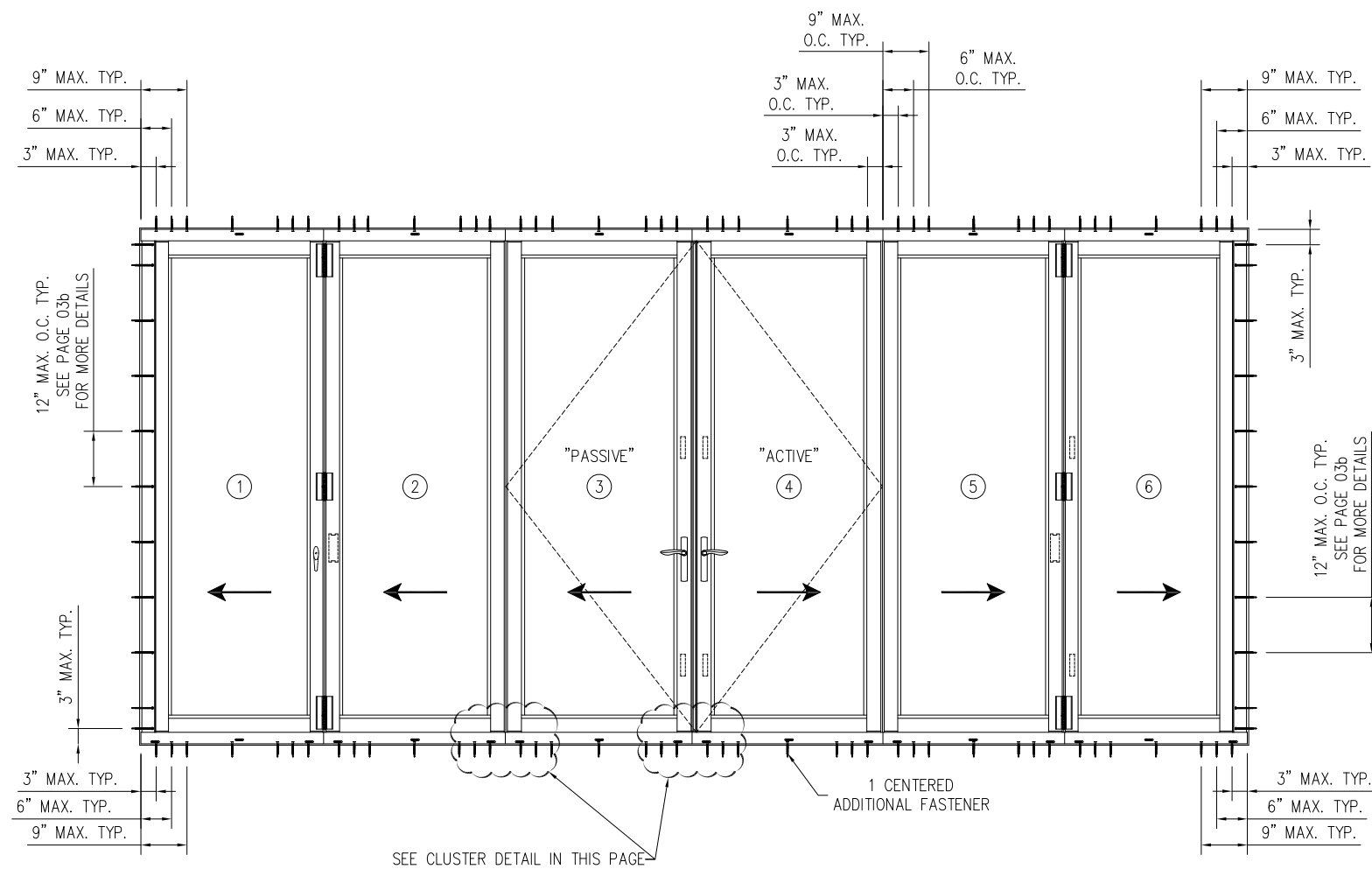
DRAWN: V.L.	DWG NO. 08-01877	REV C
SCALE NTS	DATE 12/20/12	SHEET 2 OF 14

L. ROBERTO LOMAS P.E.
1432 WOODFORD RD LEWISVILLE, NC 27023
434-688-0609 rllomas@rlomaspe.com

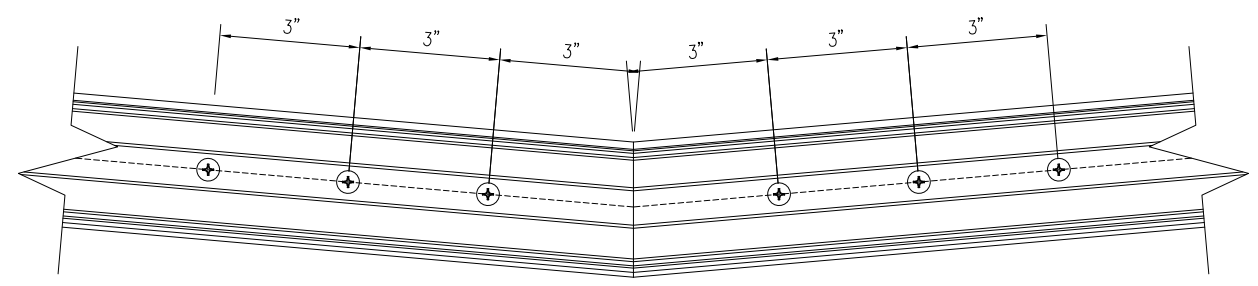


Luis R. Lomas P.E.
FL No.: 62514

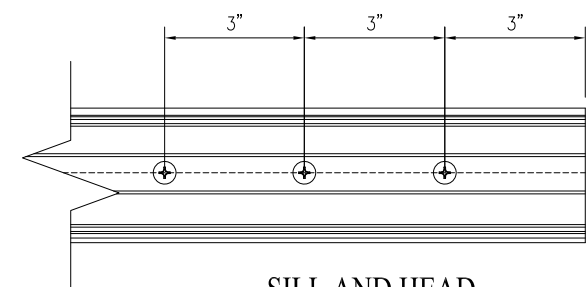
REVISIONS			
REV	DESCRIPTION	DATE	APPROVED
C	REVISED PER NEW REQUIREMENTS	12/14/2020	R.L.



ANCHOR LAYOUT
APPLIES TO ALL CONFIGURATIONS



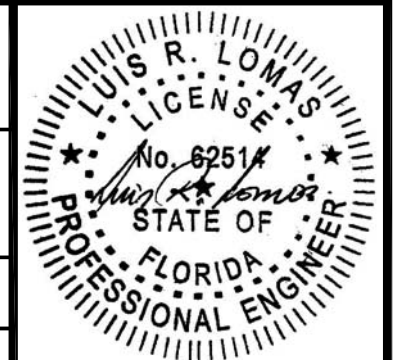
SILL AND HEAD CLUSTER DETAIL



SILL AND HEAD END DETAIL

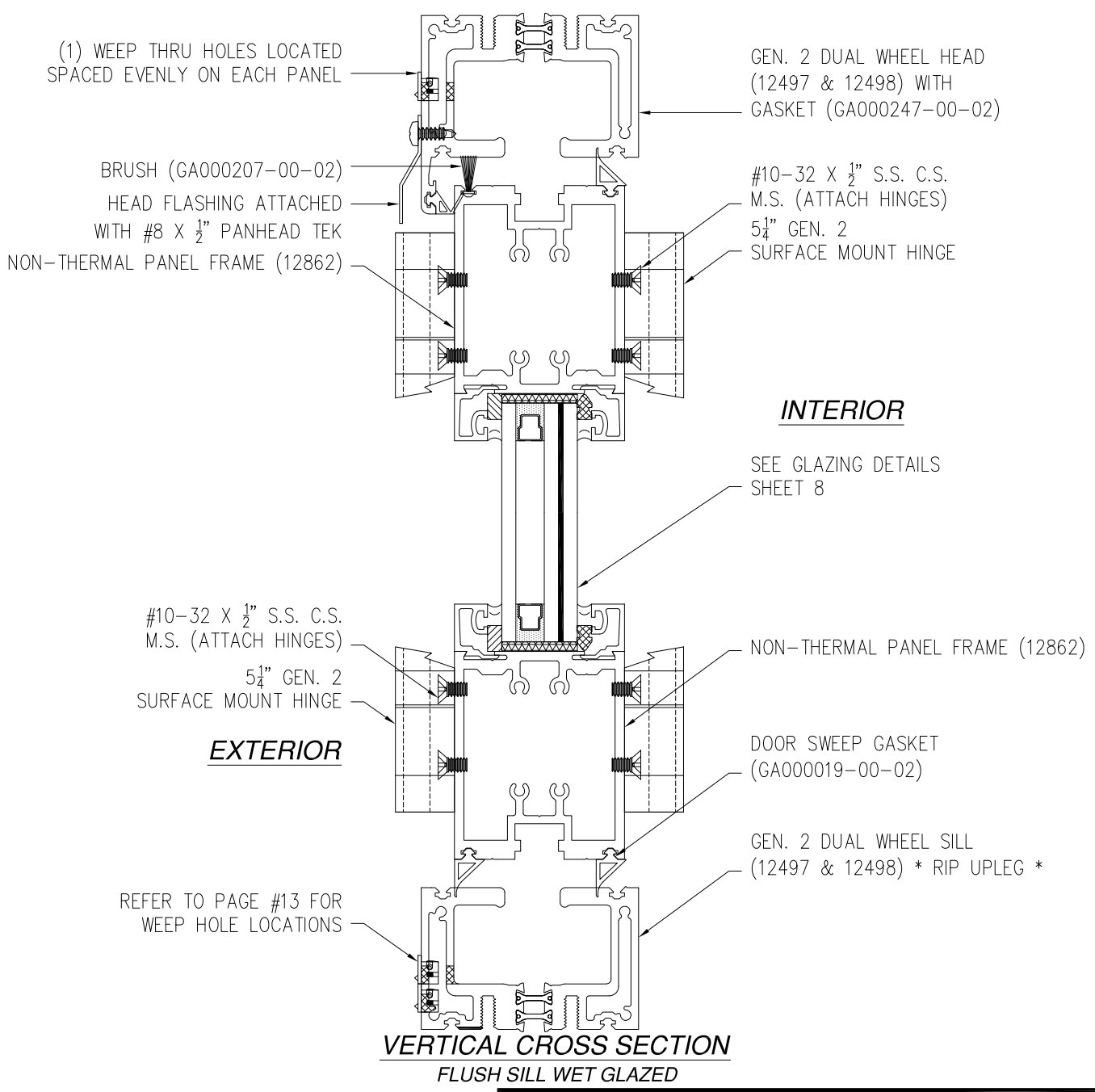
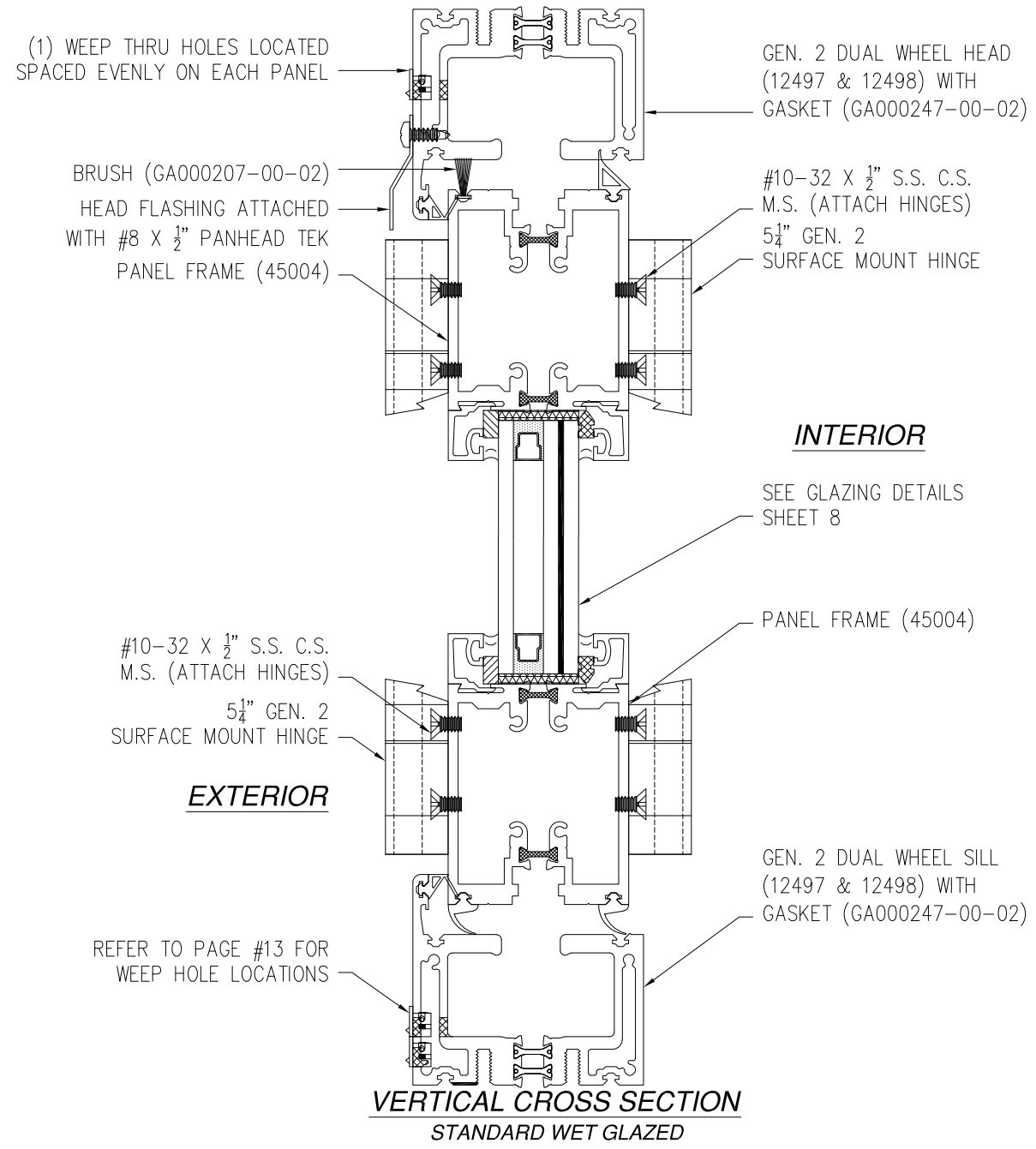
SIGNED: 12/14/2020

SOLAR INNOVATIONS, INC. 31 ROBERTS RD PINE GROVE, PA 17963		
SERIES SI3000 IMPACT FGW 3X8 PANEL RADIUS WALL ANCHORING LAYOUT		
DRAWN: V.L.	DWG NO. 08-01877	REV C
SCALE NTS	DATE 12/20/12	SHEET 3 OF 14
L. ROBERTO LOMAS P.E. 1432 WOODFORD RD LEWISVILLE, NC 27023 434-688-0609 rllomas@lrlomaspe.com		



Luis R. Lomas P.E.
FL No.: 62514

REVISIONS			
REV	DESCRIPTION	DATE	APPROVED
C	REVISED PER NEW REQUIREMENTS	12/14/2020	R.L.



SOLAR INNOVATIONS, INC.
 31 ROBERTS RD
 PINE GROVE, PA 17963

SERIES SI3000 IMPACT FGW 3X8 PANEL
 RADIUS WALL
 VERTICAL CROSS SECTIONS

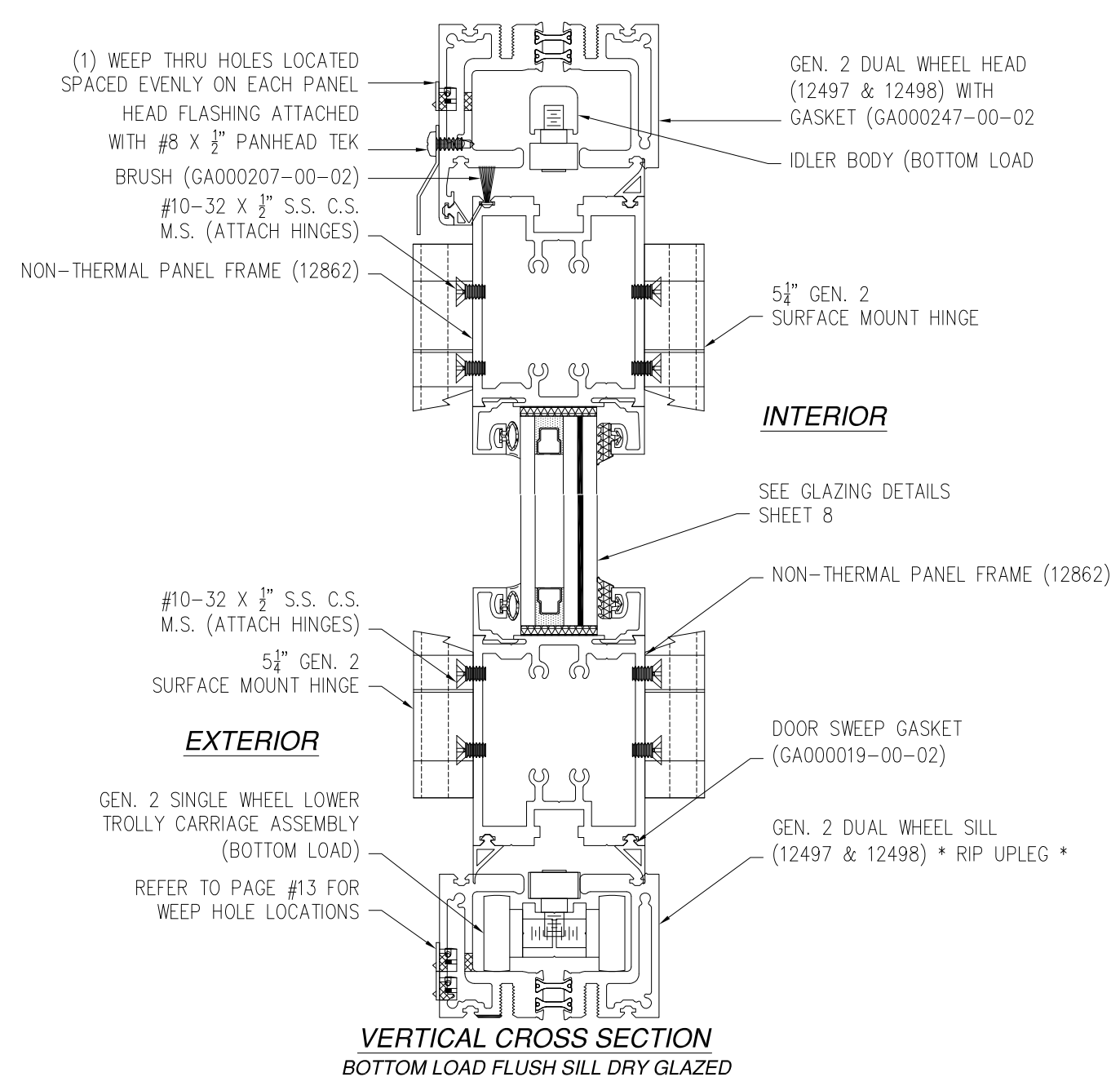
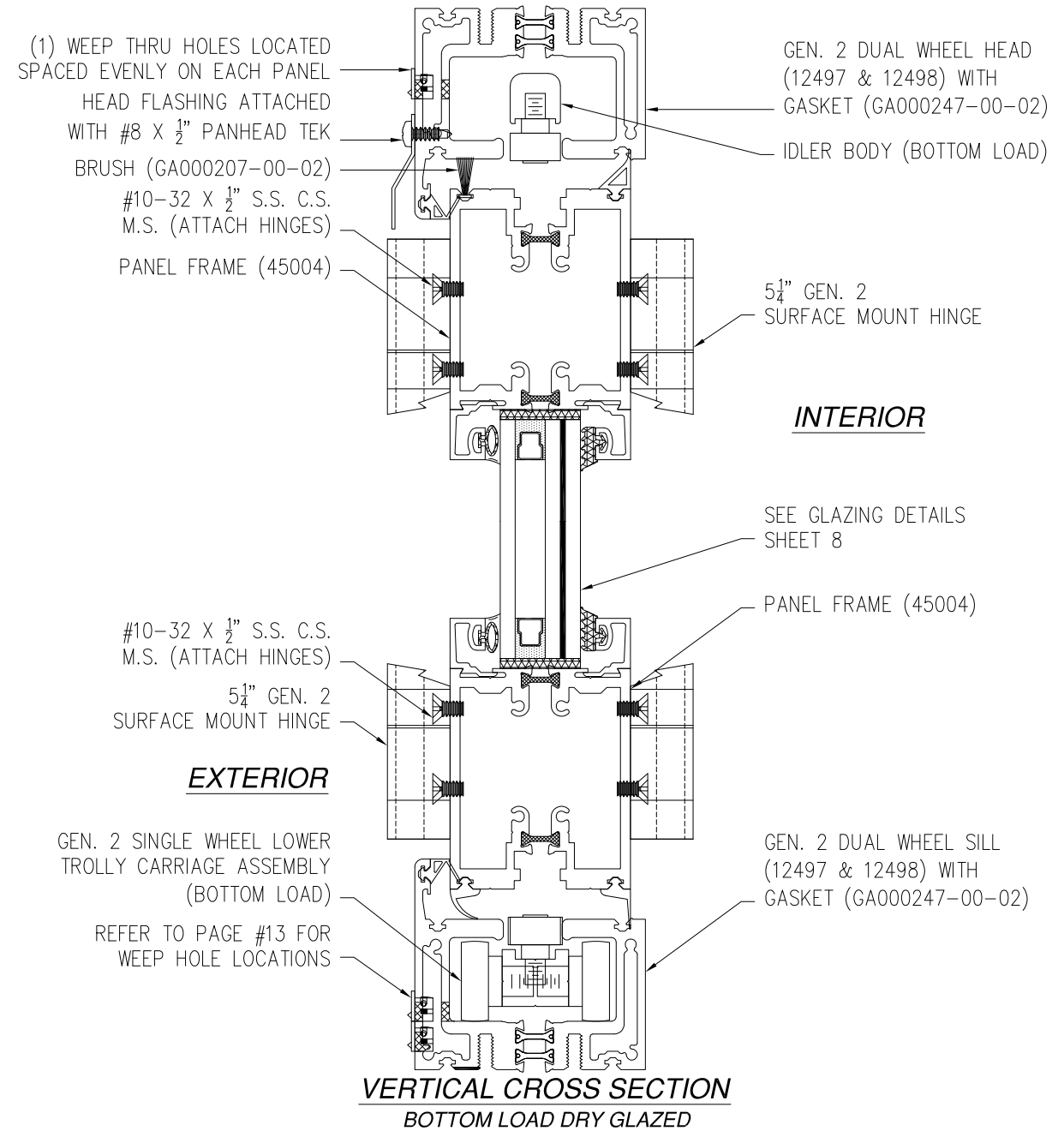
DRAWN: V.L.	DWG NO. 08-01877	REV C
SCALE NTS	DATE 12/20/12	SHEET 4 OF 14

L. ROBERTO LOMAS P.E.
 1432 WOODFORD RD LEWISVILLE, NC 27023
 434-688-0609 rllomas@rlomaspe.com

SIGNED: 12/14/2020

Luis R. Lomas P.E.
 FL No.: 62514

REVISIONS			
REV	DESCRIPTION	DATE	APPROVED
C	REVISED PER NEW REQUIREMENTS	12/14/2020	R.L.



SOLAR INNOVATIONS, INC.
 31 ROBERTS RD
 PINE GROVE, PA 17963

SERIES SI3000 IMPACT FGW 3X8 PANEL
 RADIUS WALL
 VERTICAL CROSS SECTIONS

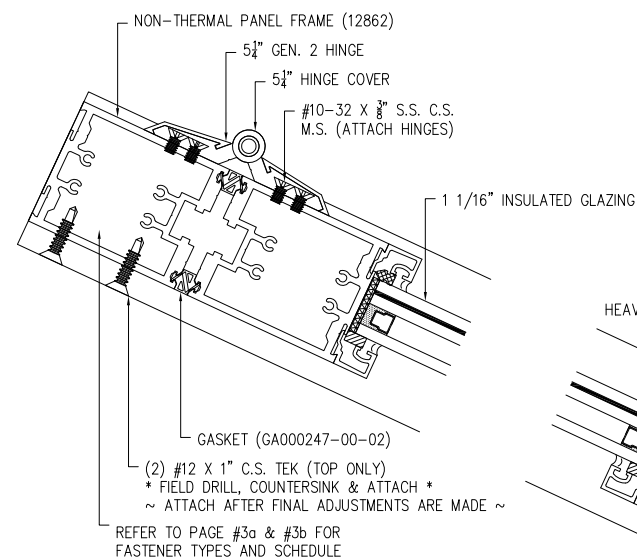
DRAWN: V.L.	DWG NO. 08-01877	REV C
SCALE NTS	DATE 12/20/12	SHEET 5 OF 14

L. ROBERTO LOMAS P.E.
 1432 WOODFORD RD LEWISVILLE, NC 27023
 434-688-0609 rllomas@rlomaspe.com

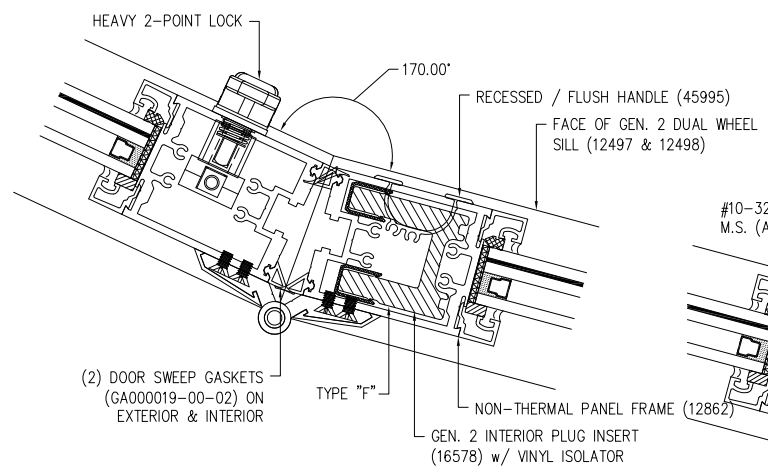
SIGNED: 12/14/2020

Luis R. Lomas P.E.
 FL No.: 62514

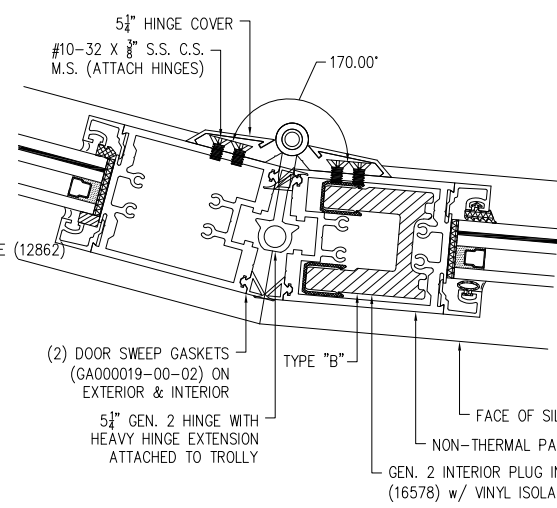
REVISIONS			
REV	DESCRIPTION	DATE	APPROVED
C	REVISED PER NEW REQUIREMENTS	12/14/2020	R.L.



GASKET (GA000247-00-02)
(2) #12 X 1" C.S. TEK (TOP ONLY)
* FIELD DRILL, COUNTERSINK & ATTACH *
~ ATTACH AFTER FINAL ADJUSTMENTS ARE MADE ~
REFER TO PAGE #3a & #3b FOR FASTENER TYPES AND SCHEDULE



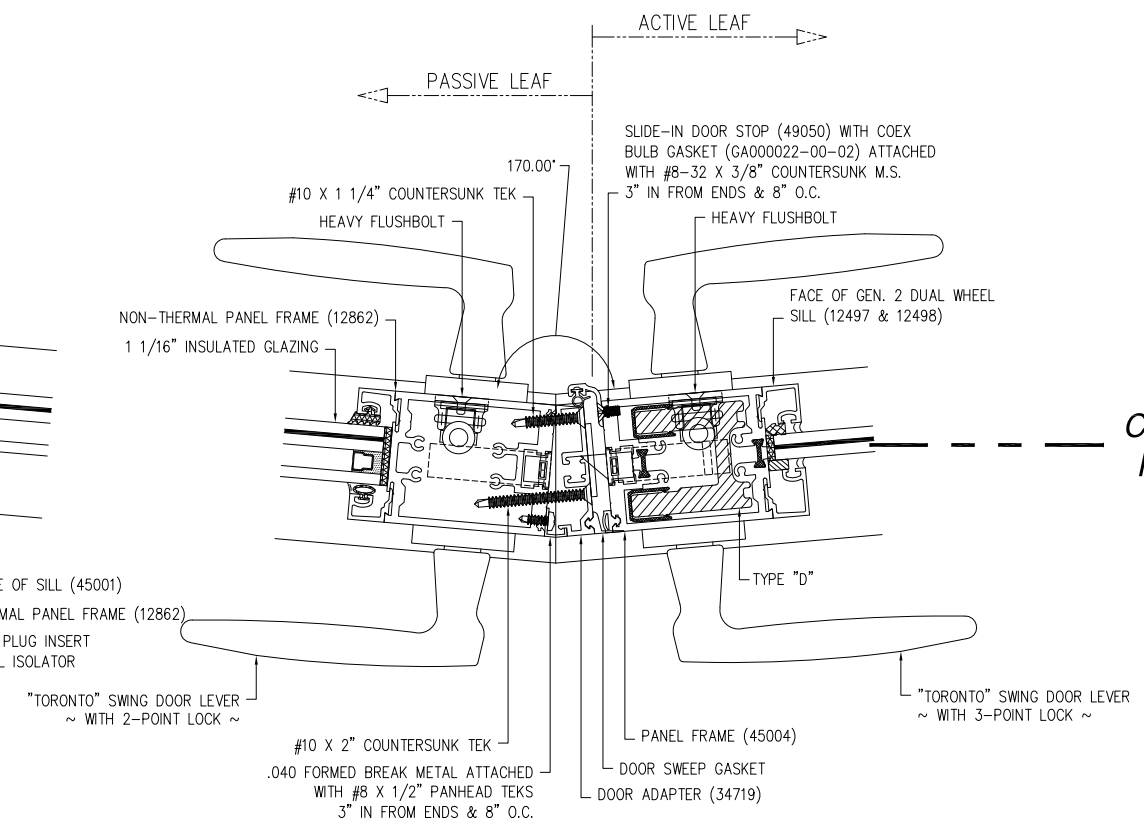
(2) DOOR SWEEP GASKETS (GA000019-00-02) ON EXTERIOR & INTERIOR



(2) DOOR SWEEP GASKETS (GA000019-00-02) ON EXTERIOR & INTERIOR
5 1/4" GEN. 2 HINGE WITH HEAVY HINGE EXTENSION ATTACHED TO TROLLEY

EXTERIOR

INTERIOR



CONTINUED IN SHEET 7

HORIZONTAL CROSS SECTION

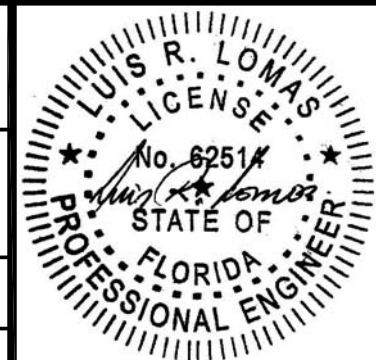
SIGNED: 12/14/2020

SOLAR INNOVATIONS, INC.
31 ROBERTS RD
PINE GROVE, PA 17963

SERIES SI3000 IMPACT FGW 3X8 PANEL
RADIUS WALL
HORIZONTAL CROSS SECTIONS

DRAWN: V.L.	DWG NO. 08-01877	REV C
SCALE NTS	DATE 12/20/12	SHEET 6 OF 14

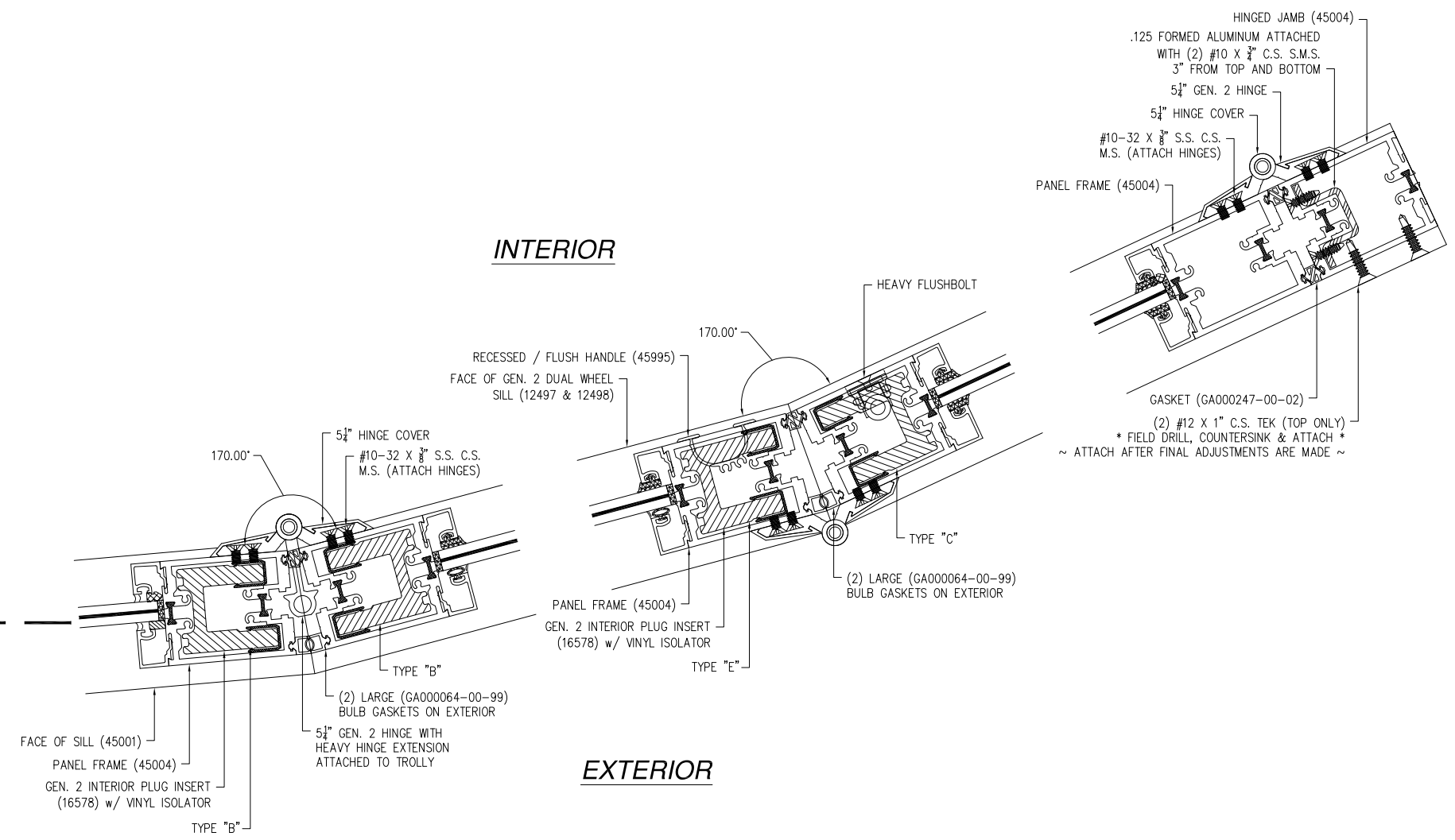
L. ROBERTO LOMAS P.E.
1432 WOODFORD RD LEWISVILLE, NC 27023
434-688-0609 rllomas@rlomaspe.com



Luis R. Lomas P.E.
FL No.: 62514

REVISIONS			
REV	DESCRIPTION	DATE	APPROVED
C	REVISED PER NEW REQUIREMENTS	12/14/2020	R.L.

CONTINUED
FROM SHEET 6



HORIZONTAL CROSS SECTION

SOLAR INNOVATIONS, INC.
31 ROBERTS RD
PINE GROVE, PA 17963

SERIES SI3000 IMPACT FGW 3X8 PANEL
RADIUS WALL
HORIZONTAL CROSS SECTIONS

DRAWN: V.L.	DWG NO. 08-01877	REV C
SCALE NTS	DATE 12/20/12	SHEET 7 OF 14

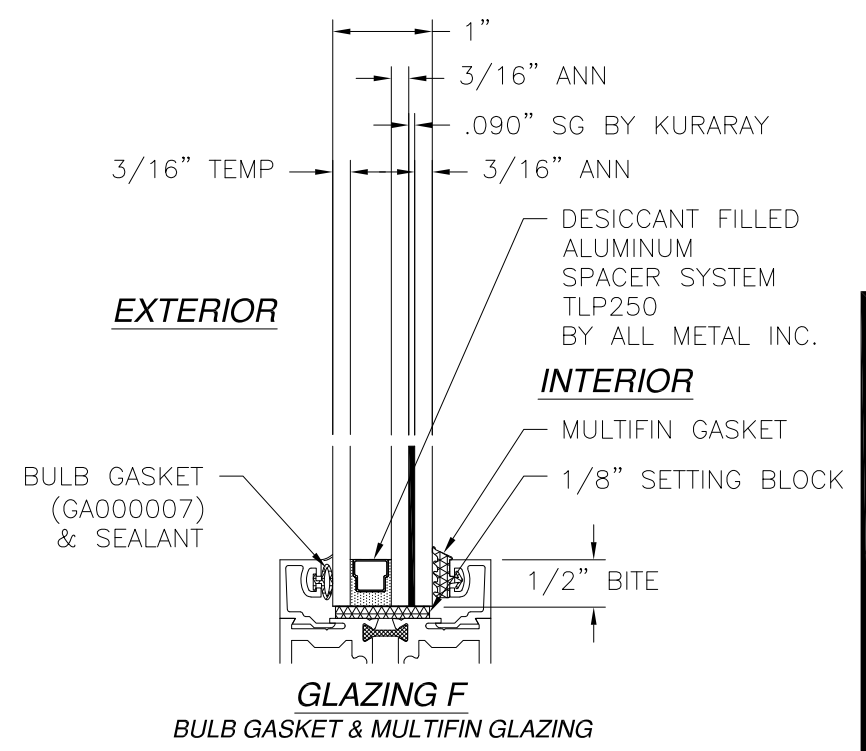
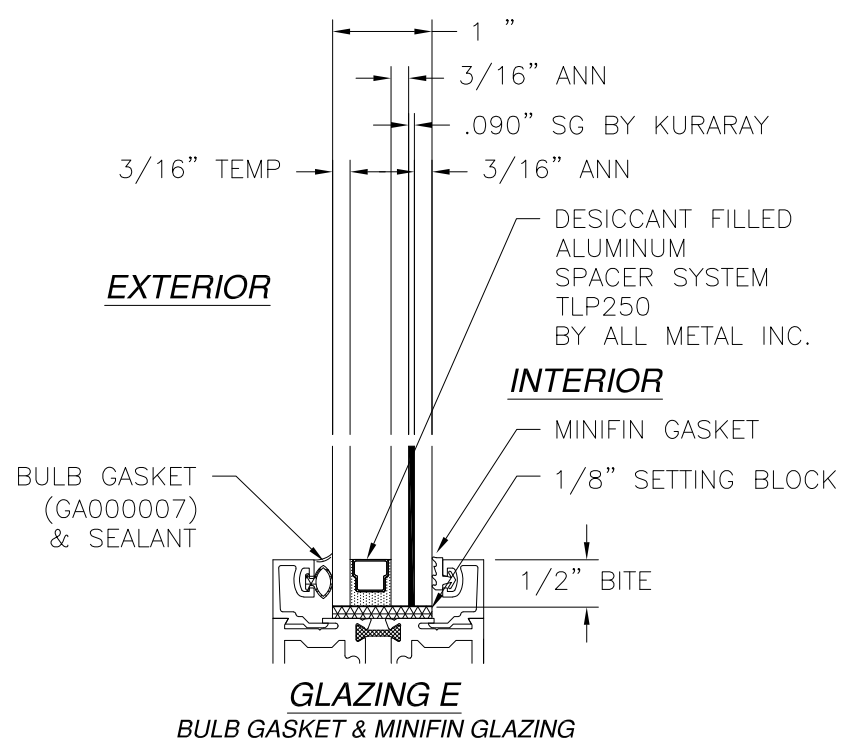
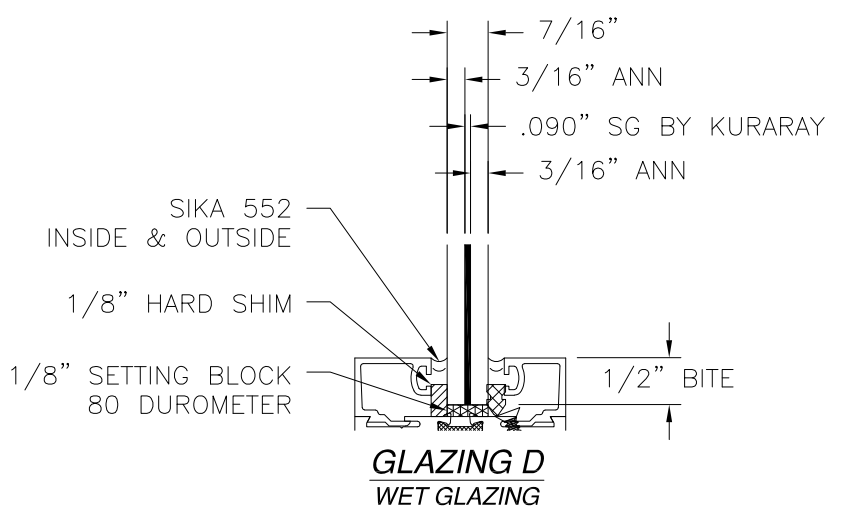
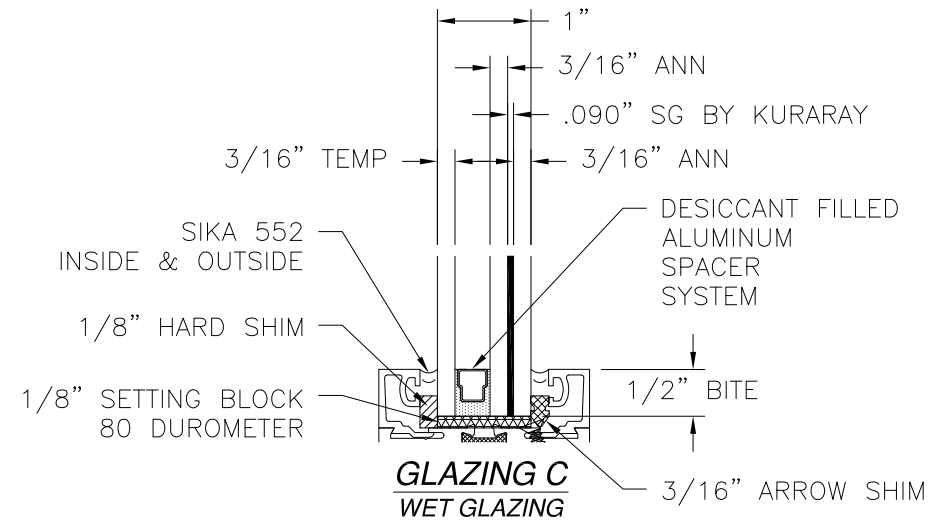
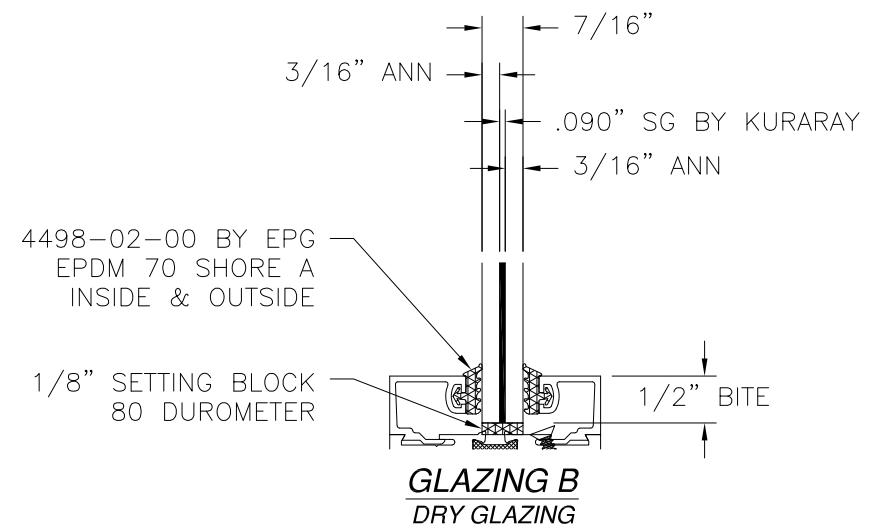
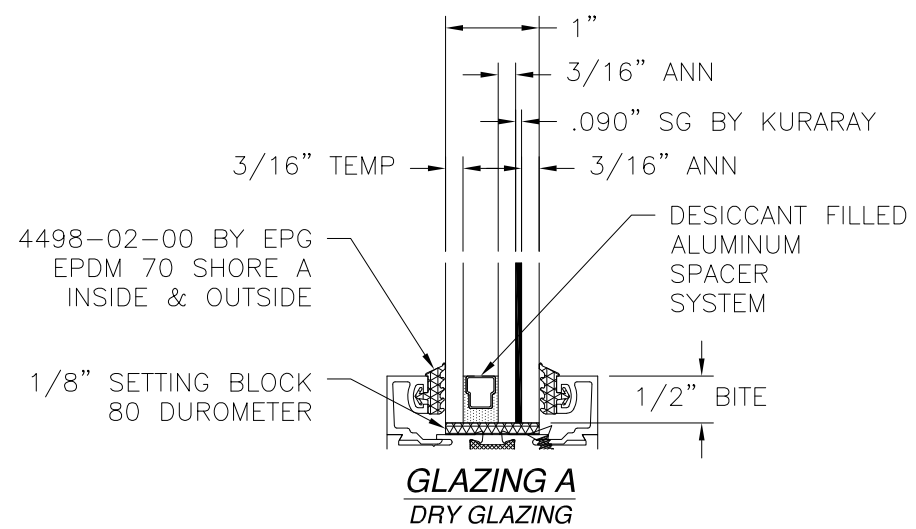
L. ROBERTO LOMAS P.E.
1432 WOODFORD RD LEWISVILLE, NC 27023
434-688-0609 rllomas@rlomaspe.com

SIGNED: 12/14/2020



Luis R. Lomas P.E.
FL No.: 62514

REVISIONS			
REV	DESCRIPTION	DATE	APPROVED
C	REVISED PER NEW REQUIREMENTS	12/14/2020	R.L.



SOLAR INNOVATIONS, INC.
31 ROBERTS RD
PINE GROVE, PA 17963

SERIES SI3000 IMPACT FGW 3X8 PANEL
RADIUS WALL
GLAZING DETAILS

DRAWN: V.L.	DWG NO. 08-01877	REV C
SCALE NTS	DATE 12/20/12	SHEET 8 OF 14

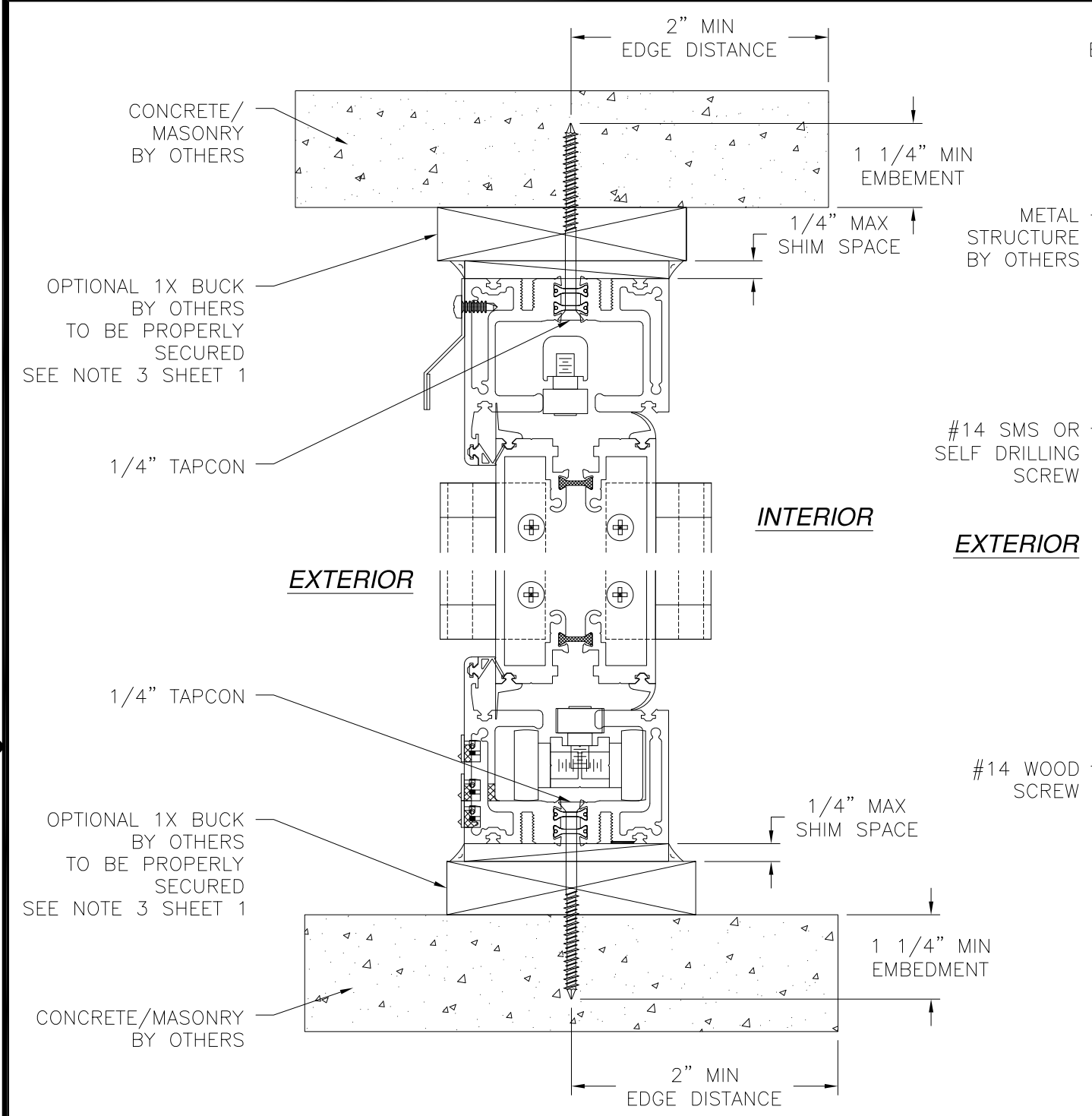
L. ROBERTO LOMAS P.E.
1432 WOODFORD RD LEWISVILLE, NC 27023
434-688-0609 rllomas@rlomaspe.com

SIGNED: 12/14/2020

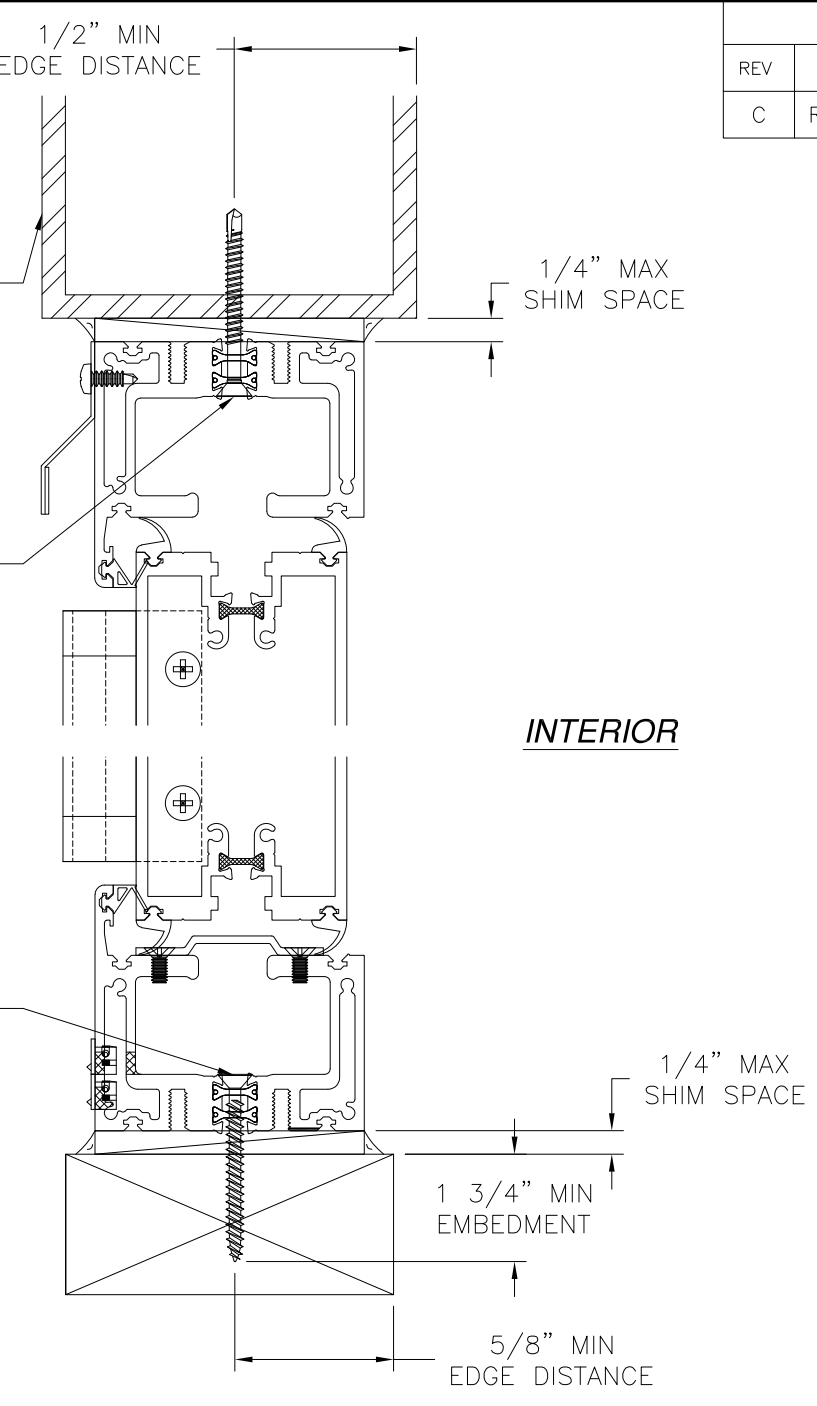


Luis R. Lomas P.E.
FL No.: 62514

REVISIONS			
REV	DESCRIPTION	DATE	APPROVED
C	REVISED PER NEW REQUIREMENTS	12/14/2020	R.L.



VERTICAL CROSS SECTION
CONCRETE/MASONRY INSTALLATION



VERTICAL CROSS SECTION
WOOD FRAMING OR 2X BUCK
OR METAL STRUCTURE INSTALLATION

- NOTES:**
- INTERIOR AND EXTERIOR FINISHES, BY OTHERS, NOT SHOWN FOR CLARITY.
 - PERIMETER AND JOINT SEALANT BY OTHERS TO BE DESIGNED IN ACCORDANCE WITH ASTM E2112

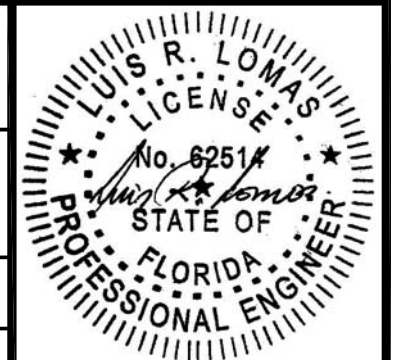
SOLAR INNOVATIONS, INC.
31 ROBERTS RD
PINE GROVE, PA 17963

SERIES SI3000 IMPACT FGW 3X8 PANEL
RADIUS WALL
INSTALLATION DETAILS

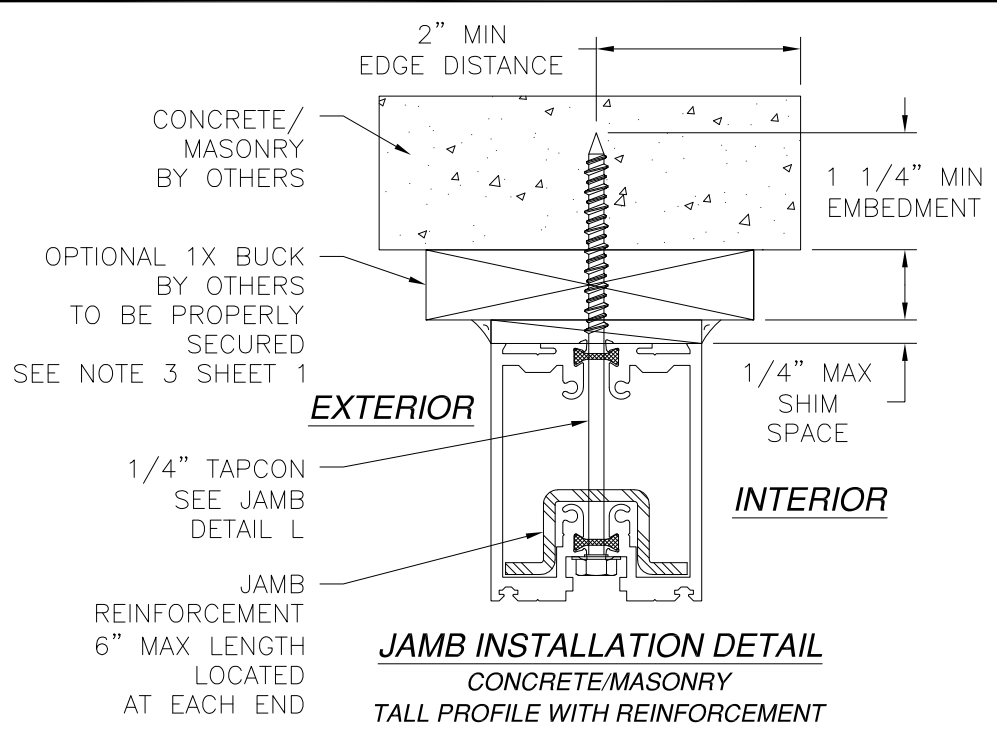
DRAWN: V.L.	DWG NO. 08-01877	REV C
SCALE NTS	DATE 12/20/12	SHEET 9 OF 14

L. ROBERTO LOMAS P.E.
1432 WOODFORD RD LEWISVILLE, NC 27023
434-688-0609 rllomas@rlomaspe.com

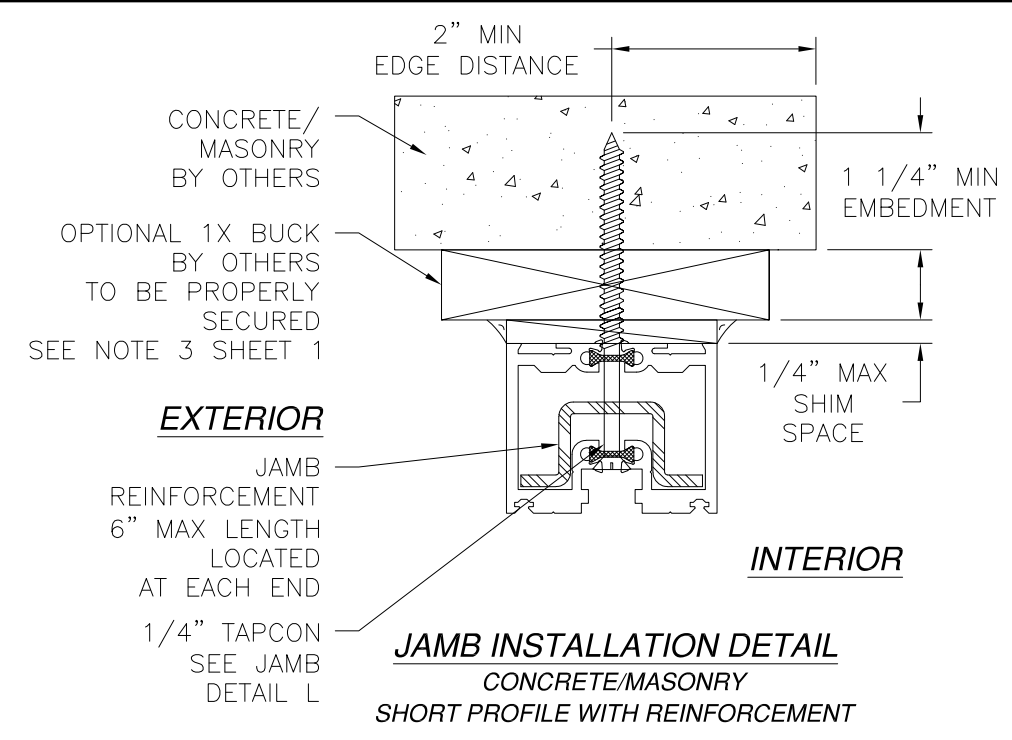
SIGNED: 12/14/2020



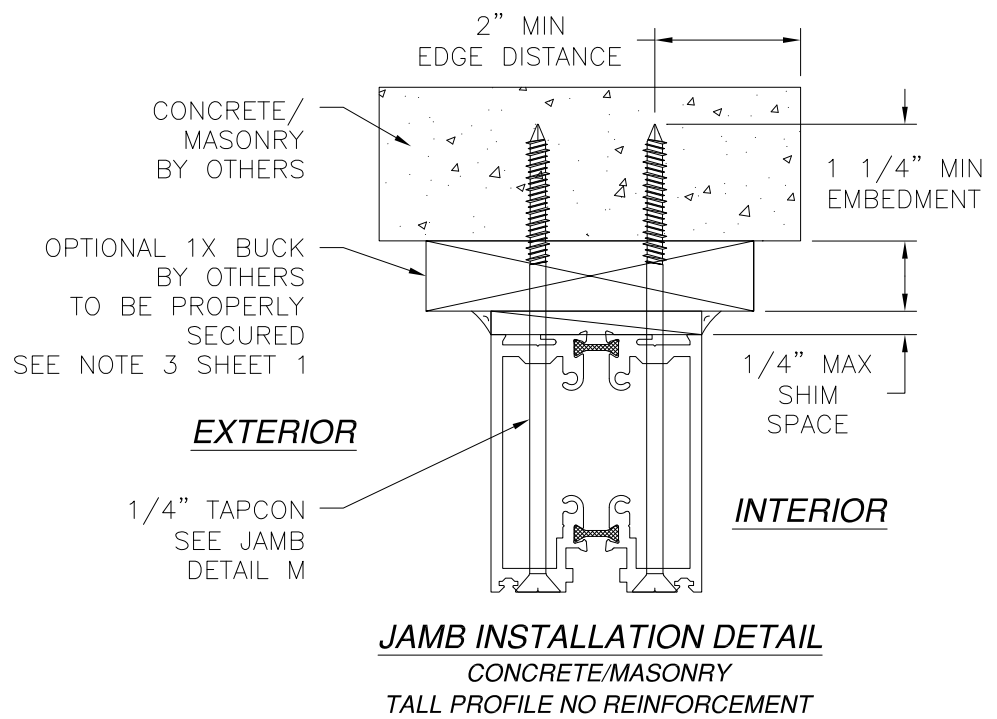
Luis R. Lomas P.E.
FL No.: 62514



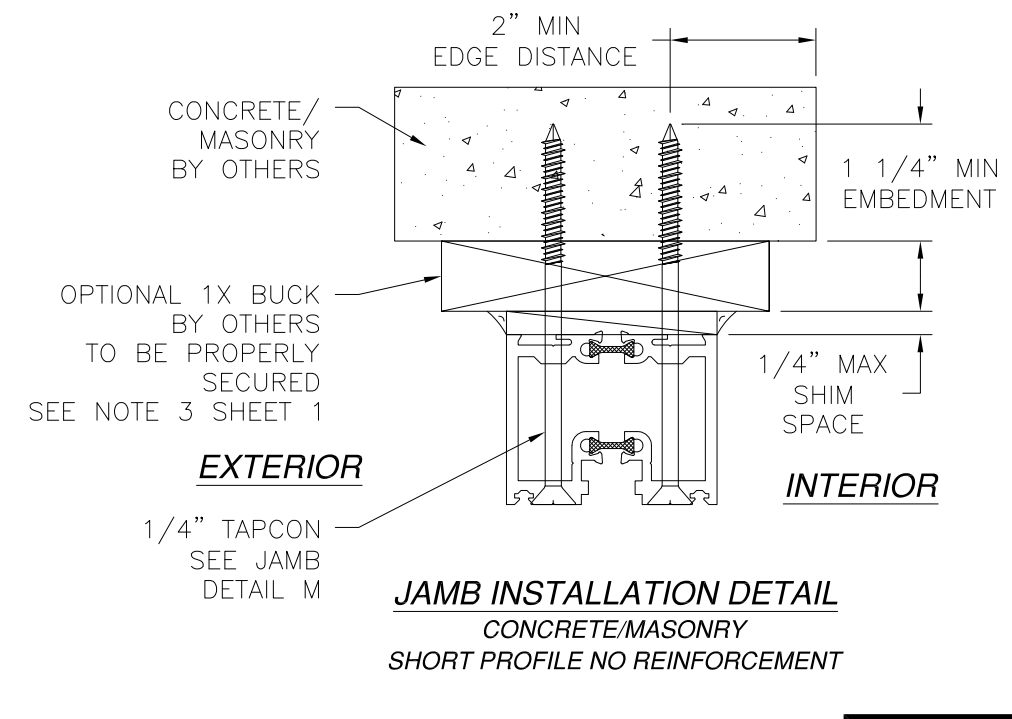
JAMB INSTALLATION DETAIL
CONCRETE/MASONRY
TALL PROFILE WITH REINFORCEMENT



JAMB INSTALLATION DETAIL
CONCRETE/MASONRY
SHORT PROFILE WITH REINFORCEMENT



JAMB INSTALLATION DETAIL
CONCRETE/MASONRY
TALL PROFILE NO REINFORCEMENT



JAMB INSTALLATION DETAIL
CONCRETE/MASONRY
SHORT PROFILE NO REINFORCEMENT

REVISIONS			
REV	DESCRIPTION	DATE	APPROVED
C	REVISED PER NEW REQUIREMENTS	12/14/2020	R.L.

- NOTES:**
1. INTERIOR AND EXTERIOR FINISHES, BY OTHERS, NOT SHOWN FOR CLARITY.
 2. PERIMETER AND JOINT SEALANT BY OTHERS TO BE DESIGNED IN ACCORDANCE WITH ASTM E2112

SOLAR INNOVATIONS, INC.
31 ROBERTS RD
PINE GROVE, PA 17963

SERIES SI3000 IMPACT FGW 3X8 PANEL
RADIUS WALL
INSTALLATION DETAILS

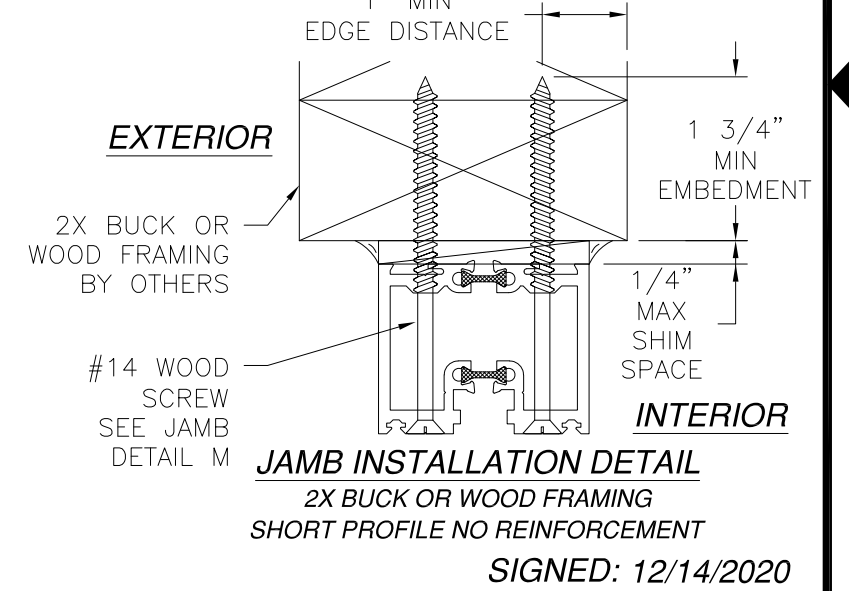
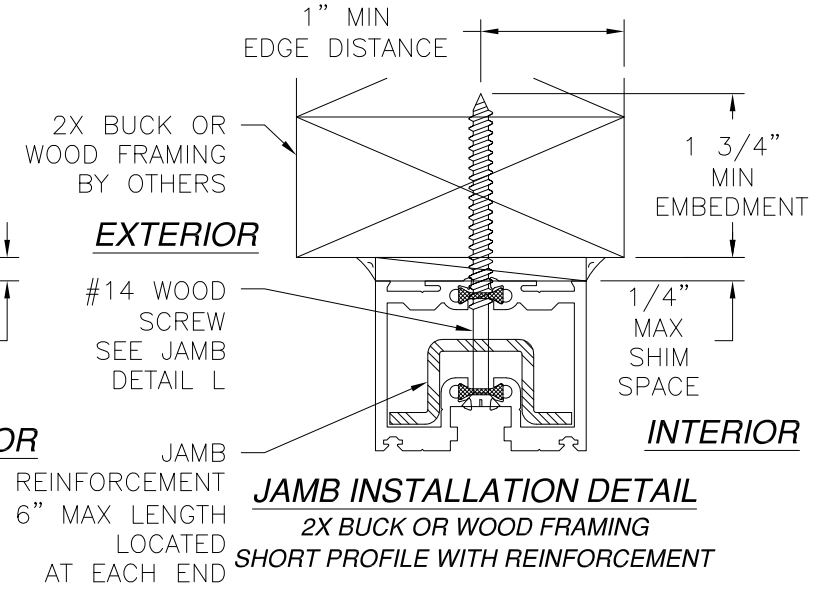
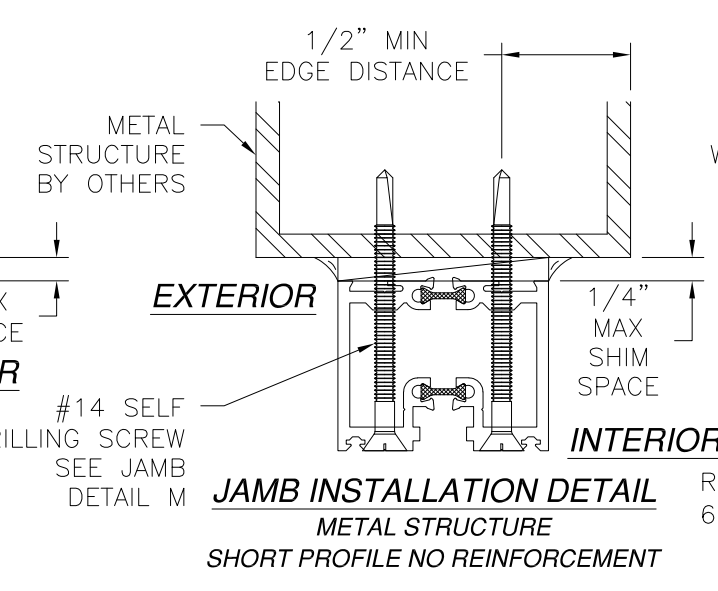
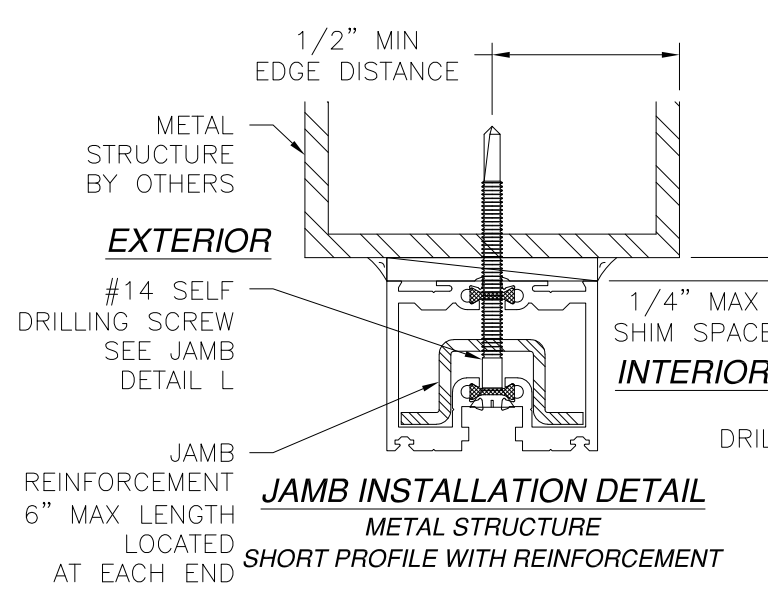
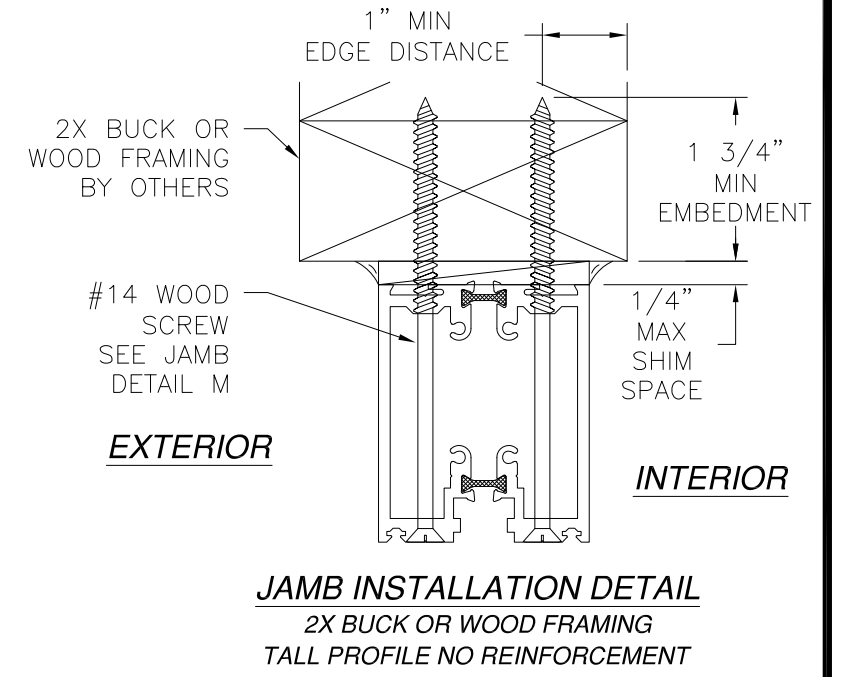
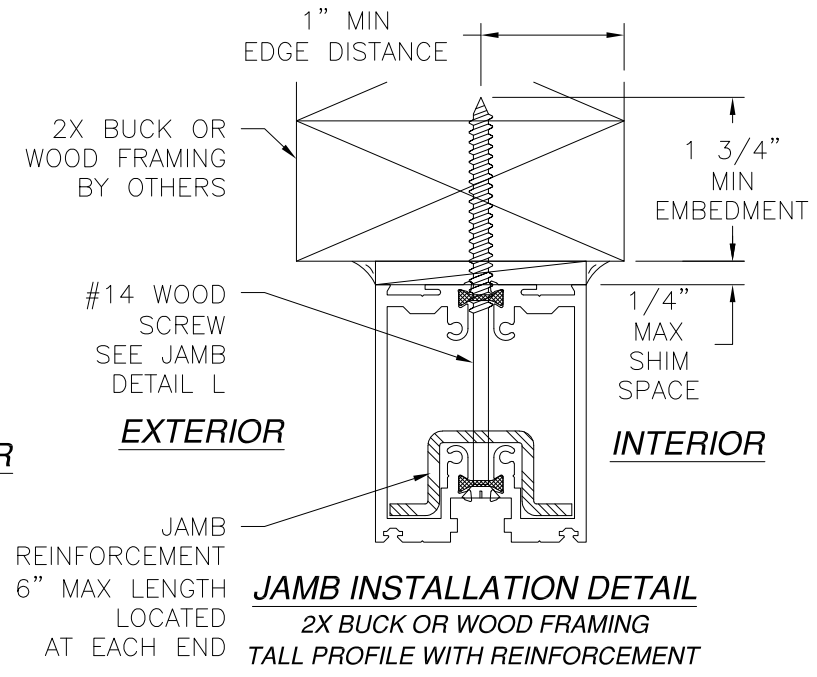
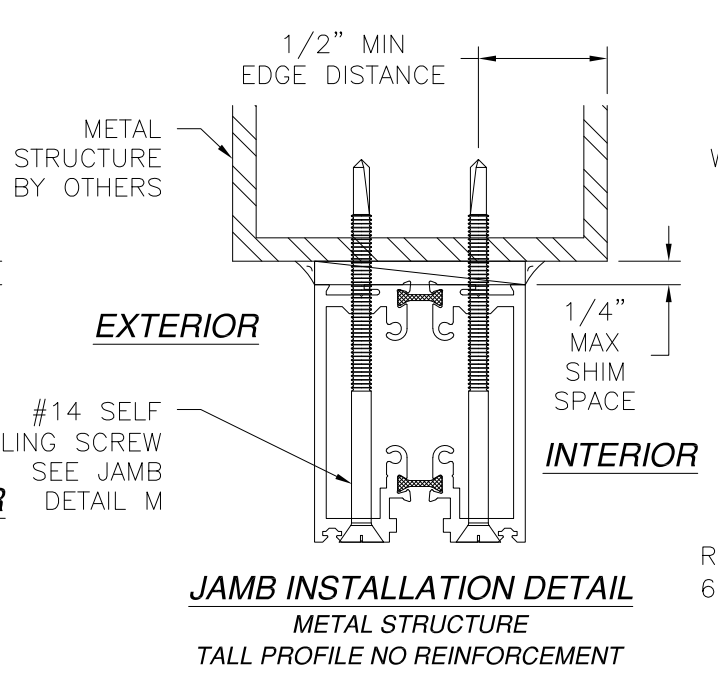
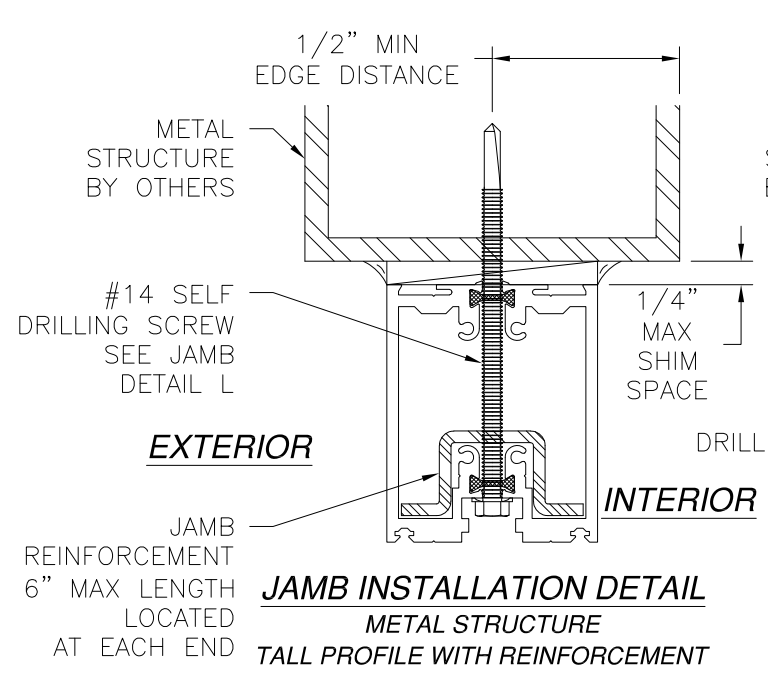
DRAWN: V.L.	DWG NO. 08-01877	REV C
SCALE NTS	DATE 12/20/12	SHEET 10 OF 14

L. ROBERTO LOMAS P.E.
1432 WOODFORD RD LEWISVILLE, NC 27023
434-688-0609 rllomas@rlomaspe.com

SIGNED: 12/14/2020

Luis R. Lomas P.E.
FL No.: 62514

REVISIONS			
REV	DESCRIPTION	DATE	APPROVED
C	REVISED PER NEW REQUIREMENTS	12/14/2020	R.L.



- NOTES:**
1. INTERIOR AND EXTERIOR FINISHES, BY OTHERS, NOT SHOWN FOR CLARITY.
 2. PERIMETER AND JOINT SEALANT BY OTHERS TO BE DESIGNED IN ACCORDANCE WITH ASTM E2112

SOLAR INNOVATIONS, INC.
31 ROBERTS RD
PINE GROVE, PA 17963

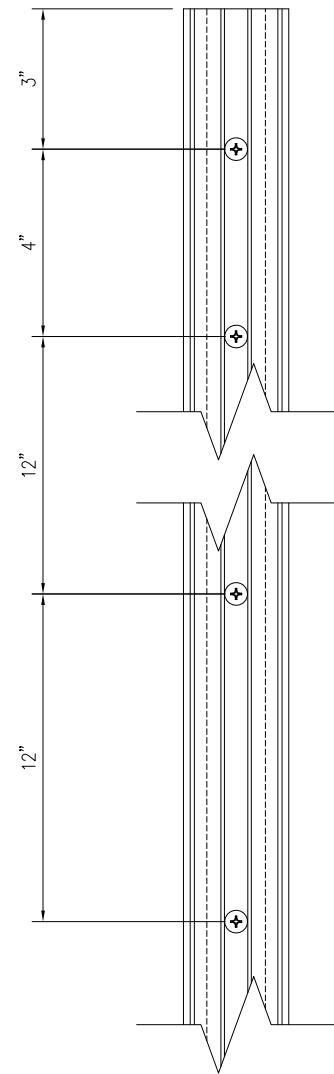
SERIES SI3000 IMPACT FGW 3X8 PANEL
RADIUS WALL
INSTALLATION DETAILS

DRAWN: V.L.	DWG NO. 08-01877	REV C
SCALE NTS	DATE 12/20/12	SHEET 11 OF 14

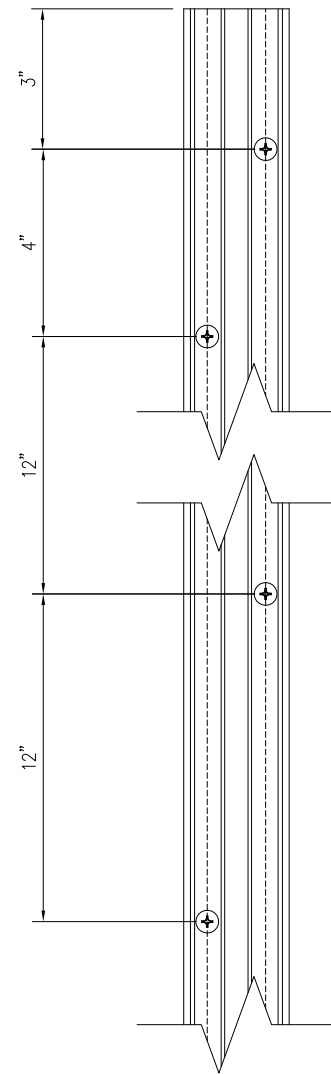
L. ROBERTO LOMAS P.E.
1432 WOODFORD RD LEWISVILLE, NC 27023
434-688-0609 rllomas@rlomaspe.com

Luis R. Lomas P.E.
FL No.: 62514

REVISIONS			
REV	DESCRIPTION	DATE	APPROVED
C	REVISED PER NEW REQUIREMENTS	12/14/2020	R.L.



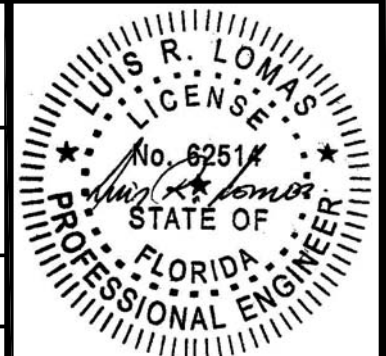
JAMB INSTALLATION DETAIL L
JAMB WITH REINFORCEMENT



JAMB INSTALLATION DETAIL M
JAMB WITHOUT REINFORCEMENT

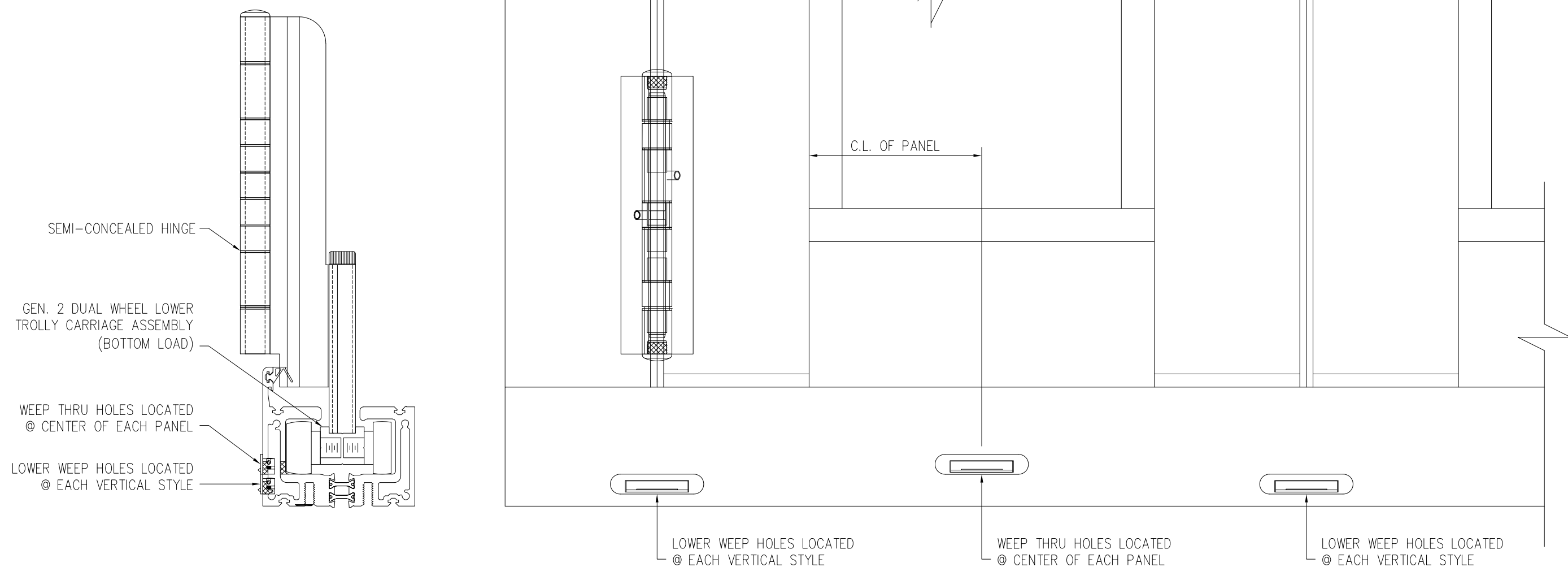
SIGNED: 12/14/2020

SOLAR INNOVATIONS, INC. 31 ROBERTS RD PINE GROVE, PA 17963		
SERIES SI3000 IMPACT FGW 3X8 PANEL RADIUS WALL INSTALLATION DETAILS		
DRAWN: V.L.	DWG NO. 08-01877	REV C
SCALE NTS	DATE 12/20/12	SHEET 12 OF 14
L. ROBERTO LOMAS P.E. 1432 WOODFORD RD LEWISVILLE, NC 27023 434-688-0609 rllomas@lrlomaspe.com		



Luis R. Lomas P.E.
FL No.: 62514

REVISIONS			
REV	DESCRIPTION	DATE	APPROVED
C	REVISED PER NEW REQUIREMENTS	12/14/2020	R.L.



WEEP LOCATIONS

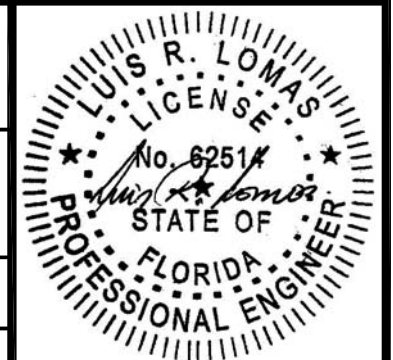
SIGNED: 12/14/2020

SOLAR INNOVATIONS, INC.
 31 ROBERTS RD
 PINE GROVE, PA 17963

SERIES SI3000 IMPACT FGW 3X8 PANEL
 RADIUS WALL
 WEEP LOCATIONS

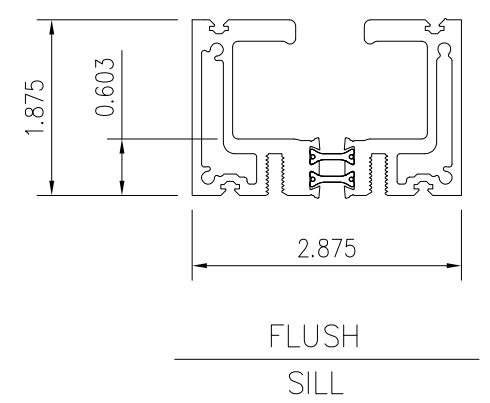
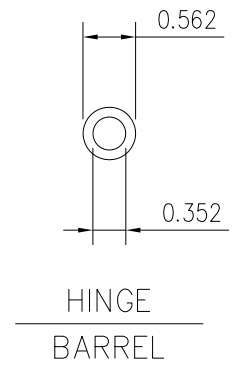
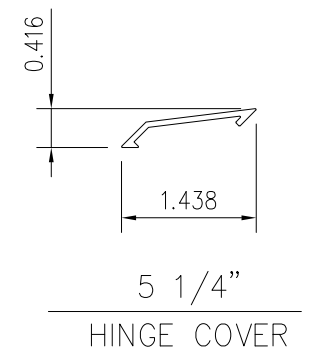
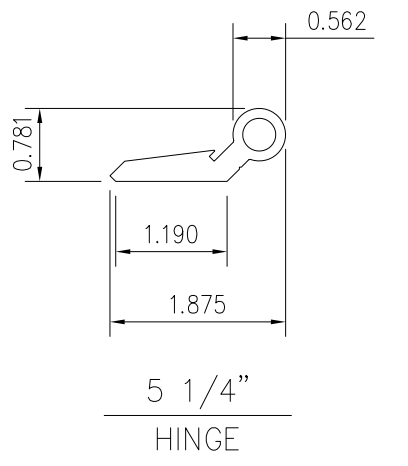
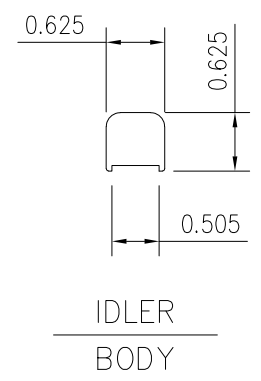
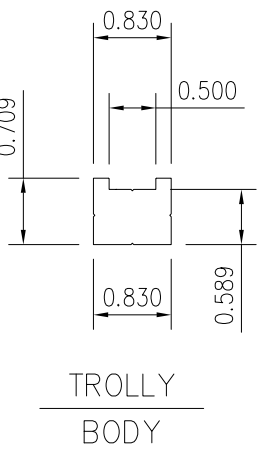
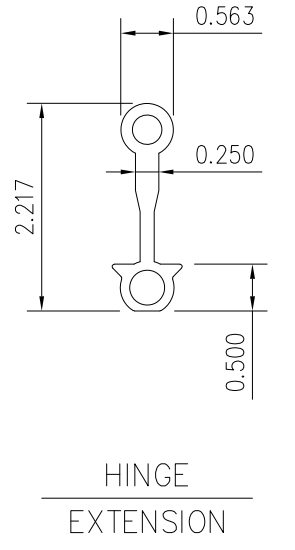
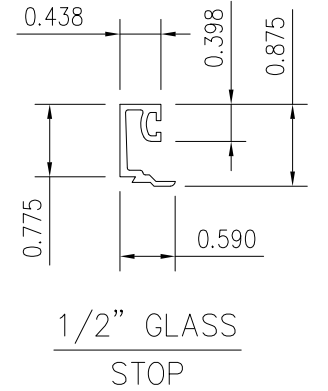
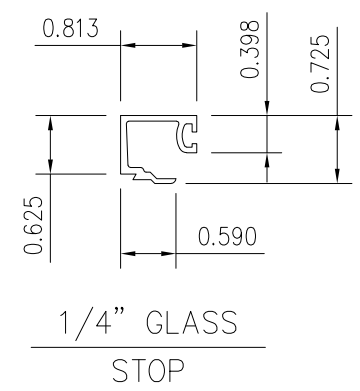
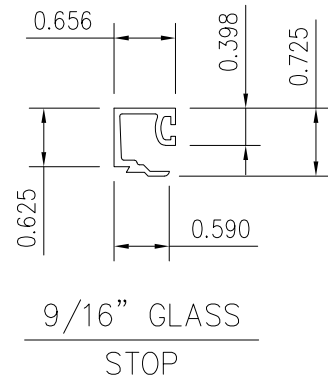
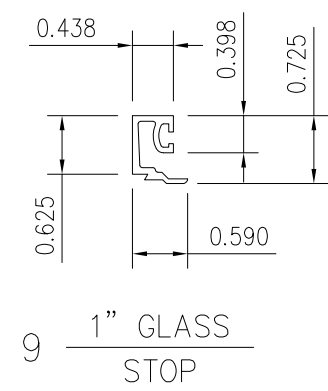
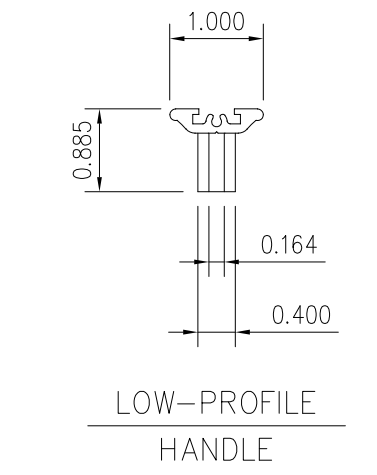
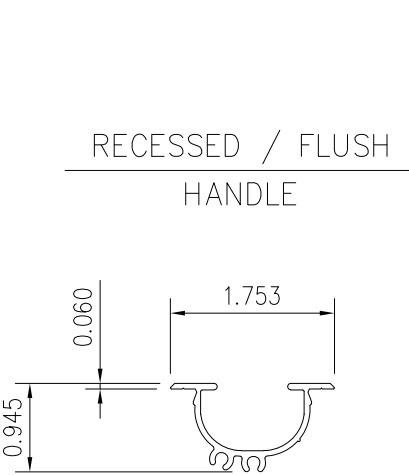
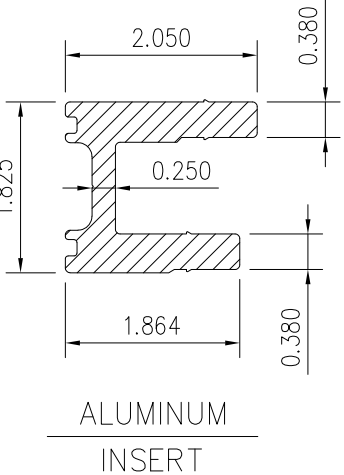
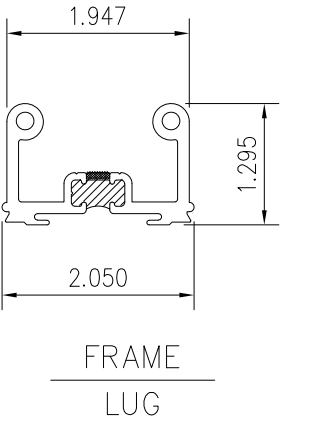
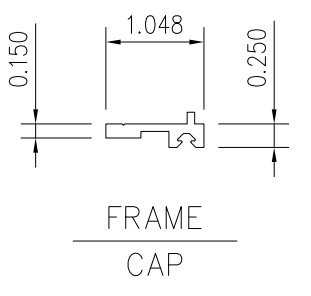
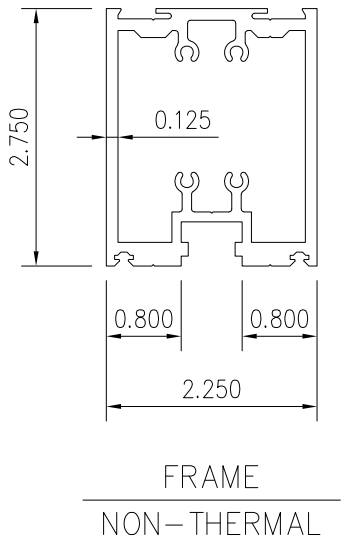
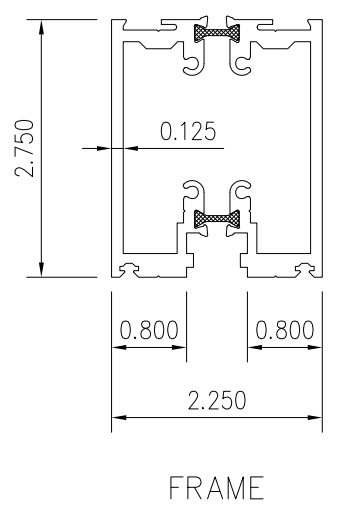
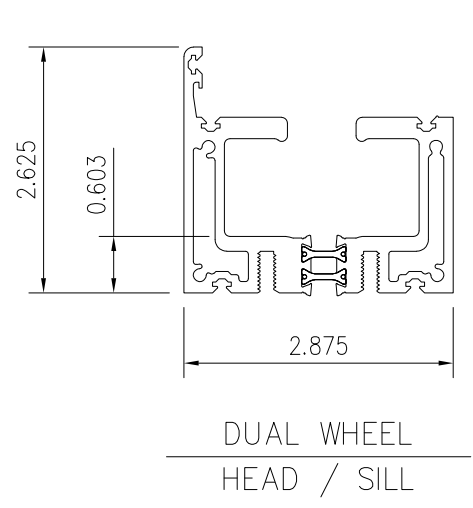
DRAWN: V.L.	DWG NO. 08-01877	REV C
SCALE NTS	DATE 12/20/12	SHEET 13 OF 14

L. ROBERTO LOMAS P.E.
 1432 WOODFORD RD LEWISVILLE, NC 27023
 434-688-0609 rllomas@lrlomaspe.com



Luis R. Lomas P.E.
 FL No.: 62514

REVISIONS			
REV	DESCRIPTION	DATE	APPROVED
C	REVISED PER NEW REQUIREMENTS	12/14/2020	R.L.



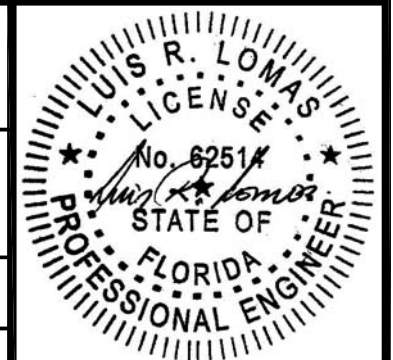
SOLAR INNOVATIONS, INC.
 31 ROBERTS RD
 PINE GROVE, PA 17963

SERIES SI3000 IMPACT FGW 3X8 PANEL
 RADIUS WALL
 COMPONENTS

DRAWN: V.L.	DWG NO. 08-01877	REV C
SCALE NTS	DATE 12/20/12	SHEET 14 OF 14

L. ROBERTO LOMAS P.E.
 1432 WOODFORD RD LEWISVILLE, NC 27023
 434-688-0609 rllomas@rlomaspe.com

SIGNED: 12/14/2020



Luis R. Lomas P.E.
 FL No.: 62514