

REVISIONS			
REV	DESCRIPTION	DATE	APPROVED
L	ADDED COMPOSITE FRAME	09/08/2021	R.L.

NOTES:

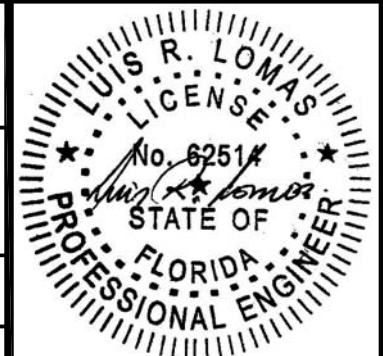
1. THE PRODUCT SHOWN HEREIN IS DESIGNED AND MANUFACTURED TO COMPLY WITH REQUIREMENTS OF THE FLORIDA BUILDING CODE.
2. WOOD FRAMING, METAL STRUCTURE AND MASONRY OPENING TO BE DESIGNED AND ANCHORED TO PROPERLY TRANSFER ALL LOADS TO STRUCTURE. FRAMING AND MASONRY OPENING IS THE RESPONSIBILITY OF THE ARCHITECT OR ENGINEER OF RECORD.
3. 1X BUCK OVER MASONRY/CONCRETE IS OPTIONAL. WHERE 1X BUCK IS NOT USED DISSIMILAR MATERIALS MUST BE SEPARATED WITH APPROVED COATING OR MEMBRANE. SELECTION OF COATING OR MEMBRANE IS THE RESPONSIBILITY OF THE ARCHITECT OR ENGINEER OF RECORD.
4. ALLOWABLE STRESS INCREASE OF 1/3 WAS NOT USED IN THE DESIGN OF THE PRODUCT SHOWN HEREIN. WIND LOAD DURATION FACTOR Cd=1.6 WAS USED FOR WOOD ANCHOR CALCULATIONS.
5. FRAME MATERIAL: WOOD WITH G=.46 MINIMUM SPECIFIC GRAVITY, OR FRAMESAVER, OR FUSION FRAME.
DOOR PANEL MATERIAL: 20 GA. STEEL WITH 17GA. STEEL OR .0938" FIBERGLASS TOP AND BOTTOM RAIL, SEE SHEET 15 FOR PANEL OPTIONS.
SIDELITES AND TRANSOM ARE DIRECT SET GLASS.
6. UNITS MUST BE GLAZED PER ASTM E1300, WITH SAFETY GLAZING.
7. APPROVED IMPACT PROTECTIVE SYSTEM IS REQUIRED FOR THIS PRODUCT IN WIND BORNE DEBRIS REGIONS.
8. SHIM AS REQUIRED AT EACH INSTALLATION ANCHOR WITH LOAD BEARING SHIM. SHIM WHERE SPACE OF 1/16" OR GREATER OCCURS. MAXIMUM ALLOWABLE SHIM STACK TO BE 1/4".
9. FOR ANCHORING INTO WOOD FRAMING OR 2X BUCK USE #10 WOOD SCREWS WITH SUFFICIENT LENGTH TO ACHIEVE A 1 3/8" MINIMUM EMBEDMENT INTO SUBSTRATE. LOCATE ANCHORS AS SHOWN IN ELEVATIONS AND INSTALLATION DETAILS.
10. FOR ANCHORING INTO MASONRY/CONCRETE USE 3/16" TAPCONS WITH SUFFICIENT LENGTH TO ACHIEVE A 1 3/4" MINIMUM EMBEDMENT INTO SUBSTRATE WITH 2" MINIMUM EDGE DISTANCE. LOCATE ANCHORS AS SHOWN IN ELEVATIONS AND INSTALLATION DETAILS.
11. FOR ANCHORING INTO METAL STRUCTURE USE #10 SMS OR SELF DRILLING SCREWS WITH SUFFICIENT LENGTH TO ACHIEVE 3 THREADS MINIMUM BEYOND STRUCTURE INTERIOR WALL. LOCATE ANCHORS AS SHOWN IN ELEVATIONS AND INSTALLATION DETAILS.

12. ALL FASTENERS TO BE CORROSION RESISTANT.
13. INSTALLATION ANCHORS SHALL BE INSTALLED IN ACCORDANCE WITH ANCHOR MANUFACTURER'S INSTALLATION INSTRUCTIONS AND ANCHORS SHALL NOT BE USED IN SUBSTRATES WITH STRENGTHS LESS THAN THE MINIMUM STRENGTH SPECIFIED BELOW:
 - A. WOOD – MINIMUM SPECIFIC GRAVITY OF G=0.42
 - B. CONCRETE – MINIMUM COMPRESSIVE STRENGTH OF 3,192 PSI.
 - C. MASONRY – GROUT FILLED STRENGTH CONFORMANCE TO ASTM C-90, GRADE N, TYPE 1 (OR GREATER).
 - D. METAL STRUCTURE: STEEL 18GA, 33KSI OR ALUMINUM 6063-T5 .048" THICK MINIMUM
14. UNITS MAY BE INSTALLED WITH EITHER SCHLAGE F-SERIES DOOR KNOB AND B-SERIES OR F-SERIES DEADBOLT OR EMTEK RESIDENTIAL GRADE DOOR HANDLE ASSEMBLY OR MULTI-POINT LOCK HANDLE ASSEMBLY BY TRILENNIUM, SEE HARDWARE SCHEDULE SHEET 3 FOR APPROVED HARDWARE.

SIGNED: 09/08/2021

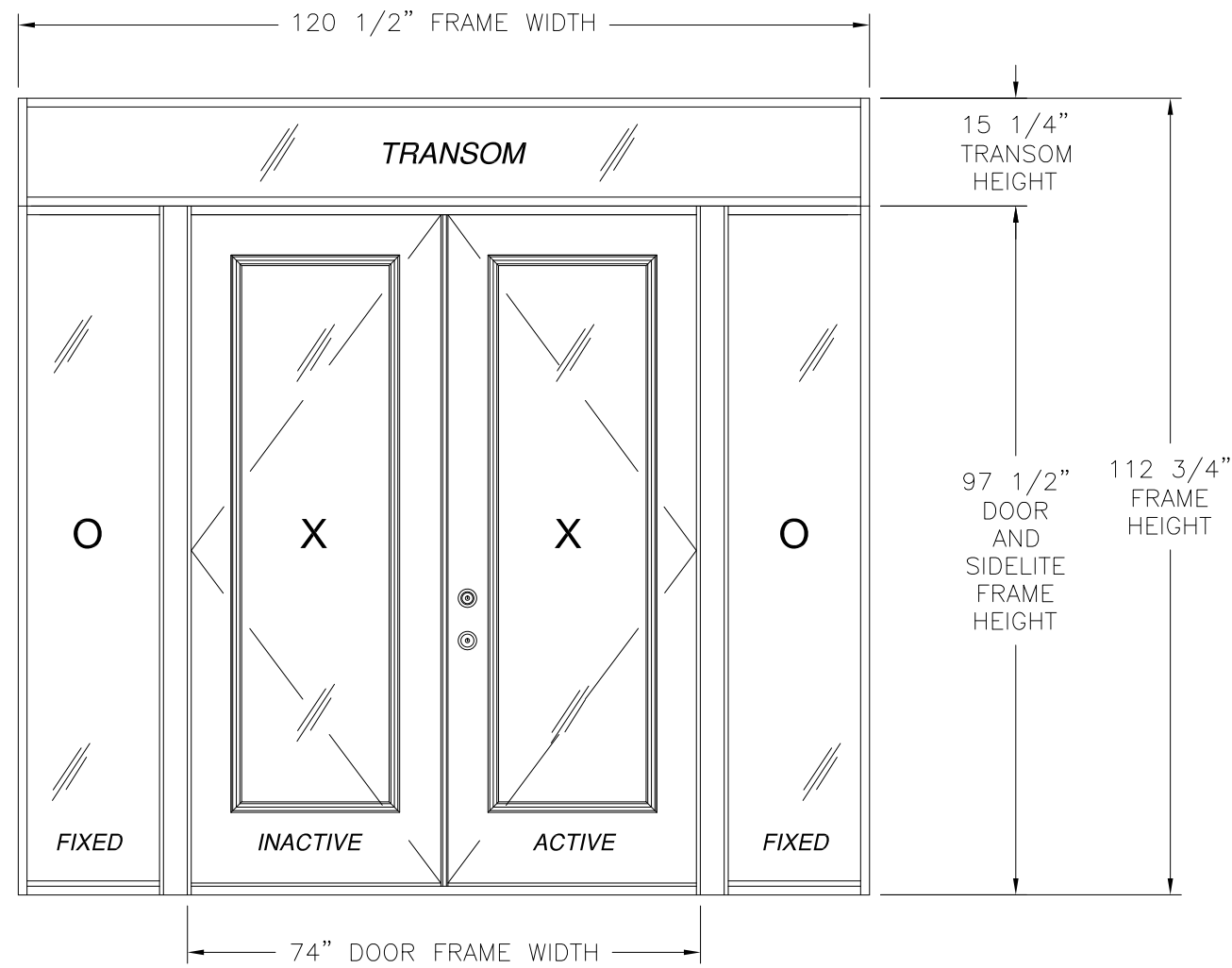
TABLE OF CONTENTS	
SHEET NO.	DESCRIPTION
1	NOTES
2 – 3	ELEVATION
4	ADDITIONAL INSWING/OUTSWING CONFIGURATIONS
5 – 6	ANCHORING LAYOUTS
7 – 13	INSTALLATION DETAILS
14 – 19	DETAILS AND COMPONENTS

PROVIA, LLC. 2150 STATE ROUTE 39 WEST SUGARCREEK, OH 44681		
20GA. STEEL IS OR OS DOOR W/ AND W/OUT 20" DIRECT SET SIDELITES AND TRANSOM NOTES		
DRAWN: TJH	DWG NO. 08-00710	REV L
SCALE NTS	DATE 03/17/09	SHEET 1 OF 19
L. ROBERTO LOMAS P.E. 1432 WOODFORD RD LEWISVILLE, NC 27023 434-688-0609 rllomas@rlomaspe.com		



Luis R. Lomas P.E.
FL No.: 62514

REVISIONS			
REV	DESCRIPTION	DATE	APPROVED
L	ADDED COMPOSITE FRAME	09/08/2021	R.L.



HARDWARE SCHEDULE	
A.	F-SERIES LOCK ASSEMBLY DOOR KNOB BY SCHLAGE.
B.	B-SERIES DEADBOLT ASSEMBLY BY SCHLAGE.
C.	F-SERIES DEADBOLT ASSEMBLY BY SCHLAGE.
D.	RESIDENTIAL GRADE DOOR HANDLE ASSEMBLY BY EMTEK (ALTERNATE).
E.	MULTI-POINT LOCK HANDLE ASSEMBLY BY TRILENNIUM (ALTERNATE).
F.	INSWING HURRICANE ASTRAGAL BY ENDURA.
G.	OUTSWING HURRICANE ASTRAGAL BY ENDURA.
H.	(3) 4" x 4" BALL BEARING HINGES BY PENROD.
I.	(3) 4" x 4" SPRING BOMMER HINGES BY PENROD.

20GA STEEL IS DOUBLE DOOR W/ DIRECT SET SIDELITES AND TRANSOM
EXTERIOR VIEW

DESIGN PRESSURE RATING	IMPACT RATING
+40PSF / -45PSF	NONE
THIS SYSTEM WAS NOT TESTED FOR WATER INFILTRATION AND IS TO BE INSTALLED ONLY WHERE THE WATER REQUIREMENT IS NOT NEEDED	

FOR ADDITIONAL APPROVED CONFIGURATIONS SEE SHEET 4.
35 3/4" x 94 15/16" PANEL SIZE SHOWN. OTHER SIZES ARE APPROVED AS LONG AS INDIVIDUAL PANEL AREA DOES NOT EXCEED 23.56 FT²

- NOTES:
- DOOR PANEL SIZE: 35 3/4" X 94 15/16"
 - SIDELITE PANEL SIZE: 21 1/4" X 97 1/2"
 - DOOR PANEL D.L.O.: 20 7/8" X 75 7/8"
 - SIDELITE PANEL D.L.O.: 18 3/4" X 93 15/16"
 - TRANSOM D.L.O.: 118" X 12 3/4"

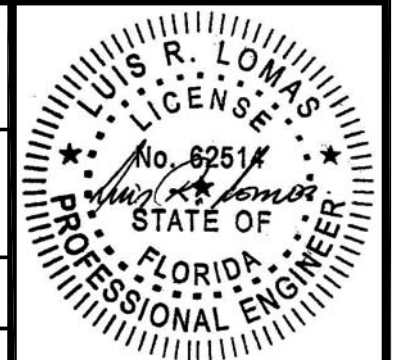
SIGNED: 09/08/2021

PROVIA, LLC.
2150 STATE ROUTE 39 WEST
SUGARCREEK, OH 44681

20GA. STEEL IS OR OS DOOR W/ AND W/OUT
20" DIRECT SET SIDELITES AND TRANSOM
INSWING ELEVATION

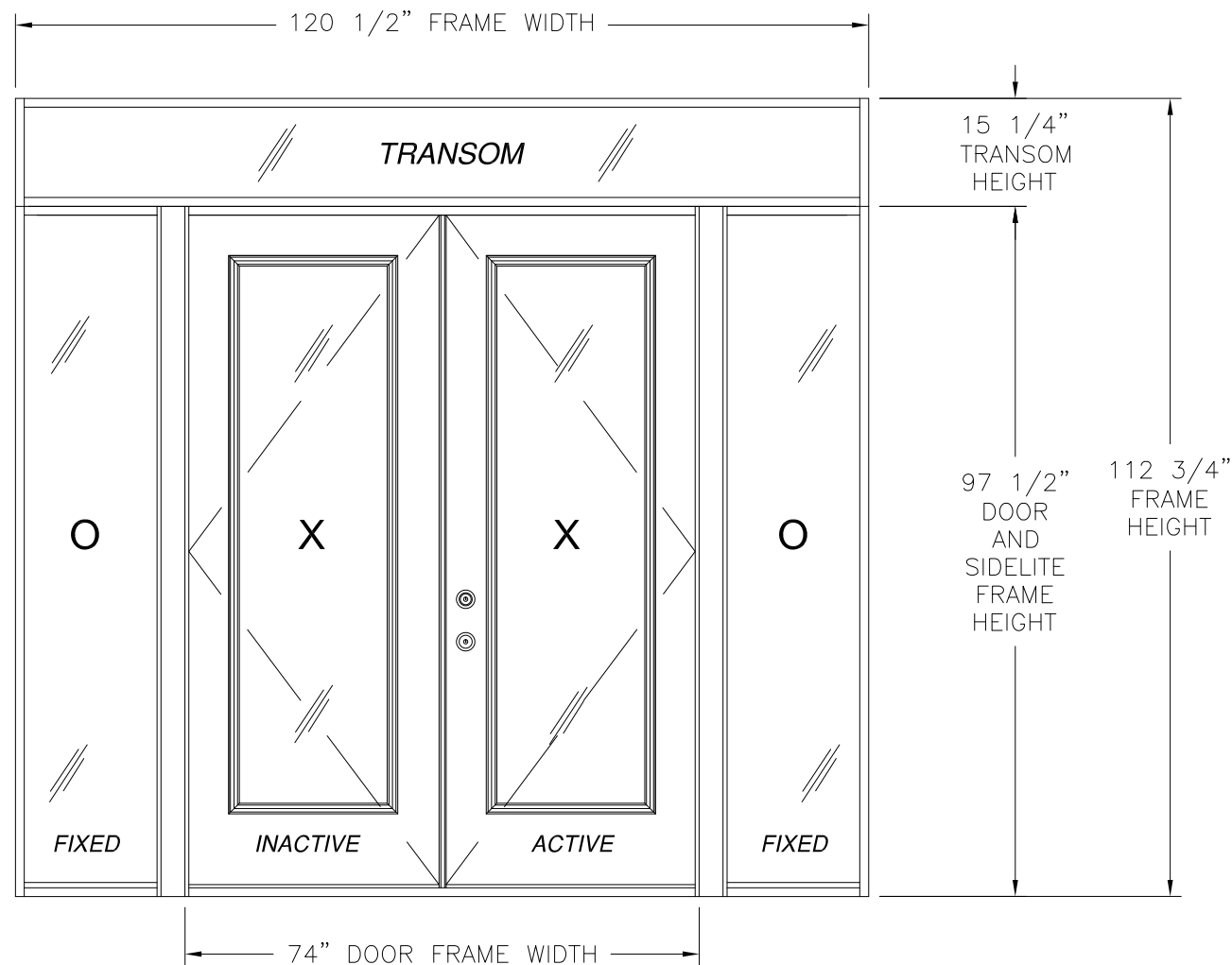
DRAWN: TJH	DWG NO. 08-00710	REV L
SCALE NTS	DATE 03/17/09	SHEET 2 OF 19

L. ROBERTO LOMAS P.E.
1432 WOODFORD RD LEWISVILLE, NC 27023
434-688-0609 rllomas@rlomaspe.com



Luis R. Lomas P.E.
FL No.: 62514

REVISIONS			
REV	DESCRIPTION	DATE	APPROVED
L	ADDED COMPOSITE FRAME	09/08/2021	R.L.



HARDWARE SCHEDULE	
A.	F-SERIES LOCK ASSEMBLY DOOR KNOB BY SCHLAGE.
B.	B-SERIES DEADBOLT ASSEMBLY BY SCHLAGE.
C.	F-SERIES DEADBOLT ASSEMBLY BY SCHLAGE.
D.	RESIDENTIAL GRADE DOOR HANDLE ASSEMBLY BY EMTEK (ALTERNATE).
E.	MULTI-POINT LOCK HANDLE ASSEMBLY BY TRILENNIUM (ALTERNATE).
F.	INSWING HURRICANE ASTRAGAL BY ENDURA.
G.	OUTSWING HURRICANE ASTRAGAL BY ENDURA.
H.	(3) 4" x 4" BALL BEARING HINGES BY PENROD.
I.	(3) 4" x 4" SPRING BOMMER HINGES BY PENROD.

20GA STEEL OS DOUBLE DOOR W/ DIRECT SET SIDELITES AND TRANSOM
EXTERIOR VIEW

DESIGN PRESSURE RATING	IMPACT RATING
+40PSF / -45PSF	NONE
THIS SYSTEM WAS NOT TESTED FOR WATER INFILTRATION AND IS TO BE INSTALLED ONLY WHERE THE WATER REQUIREMENT IS NOT NEEDED	

FOR ADDITIONAL APPROVED CONFIGURATIONS SEE SHEET 4.
35 3/4" x 94 15/16" PANEL SIZE SHOWN. OTHER SIZES ARE APPROVED AS LONG AS INDIVIDUAL PANEL AREA DOES NOT EXCEED 23.56 FT²

NOTES:

- DOOR PANEL SIZE: 35 3/4" X 94 15/16"
- SIDELITE PANEL SIZE: 21 1/4" X 97 1/2"
- DOOR PANEL D.L.O.: 20 7/8" X 75 7/8"
- SIDELITE PANEL D.L.O.: 18 3/4" X 93 15/16"
- TRANSOM D.L.O.: 118" X 12 3/4"

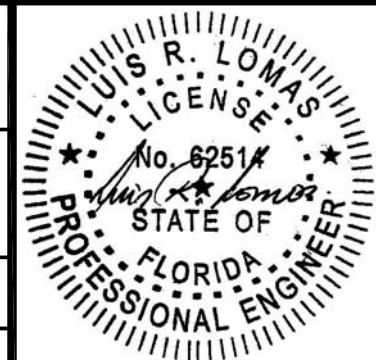
SIGNED: 09/08/2021

PROVIA, LLC.
2150 STATE ROUTE 39 WEST
SUGARCREEK, OH 44681

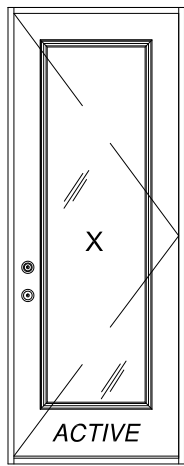
20GA. STEEL IS OR OS DOOR W/ AND W/OUT
20" DIRECT SET SIDELITES AND TRANSOM
OUTSWING ELEVATION

DRAWN: TJH	DWG NO. 08-00710	REV L
SCALE NTS	DATE 03/17/09	SHEET 3 OF 19

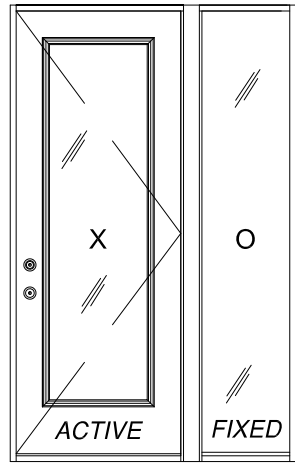
L. ROBERTO LOMAS P.E.
1432 WOODFORD RD LEWISVILLE, NC 27023
434-688-0609 rllomas@rlomaspe.com



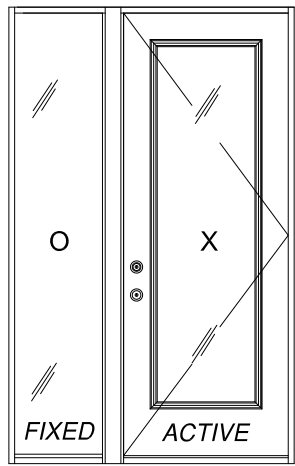
Luis R. Lomas P.E.
FL No.: 62514



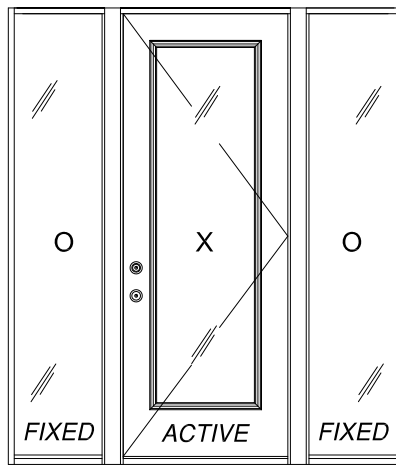
SINGLE



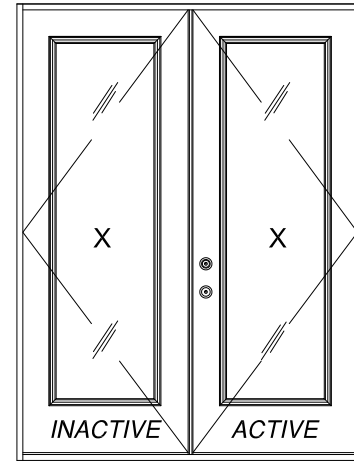
SINGLE W/SIDELITE



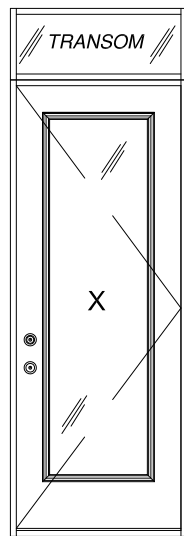
SINGLE W/SIDELITE



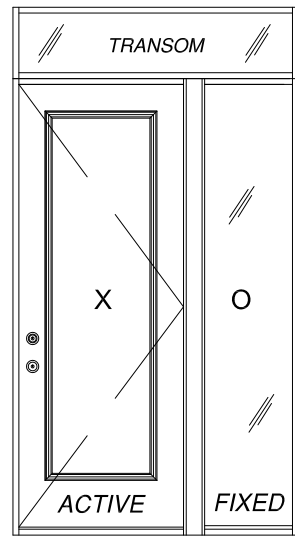
SINGLE W/SIDELITES



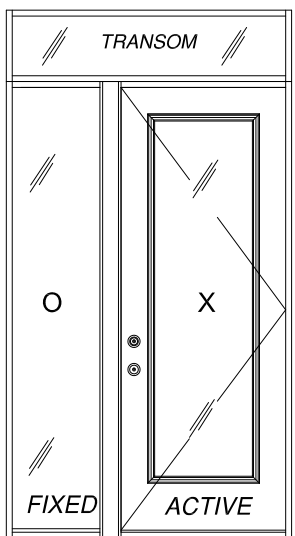
DOUBLE



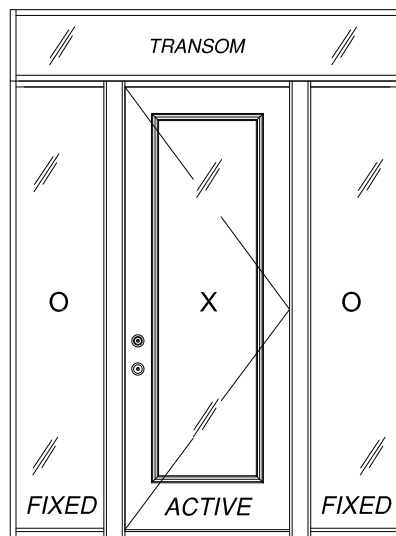
SINGLE W/TRANSOM



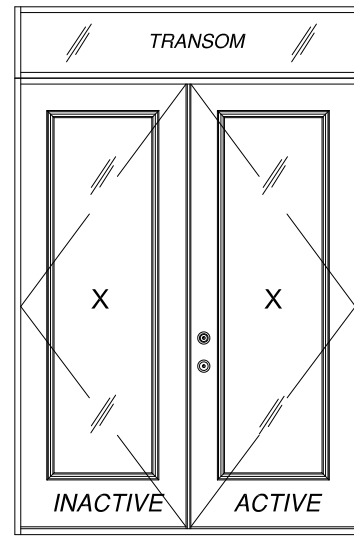
SINGLE W/SIDELITE & TRANSOM



SINGLE W/SIDELITE & TRANSOM



SINGLE W/SIDELITES & TRANSOM

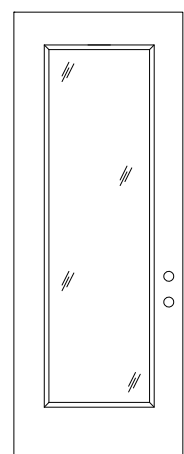


DOUBLE W/TRANSOM

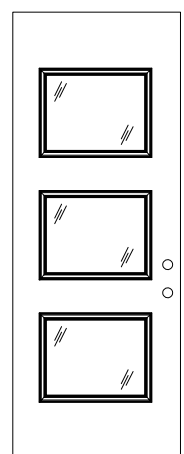
REVISIONS			
REV	DESCRIPTION	DATE	APPROVED
L	ADDED COMPOSITE FRAME	09/08/2021	R.L.

NOTE:
ALL APPROVED CONFIGURATIONS CAN BE
INSWING OR OUTSWING MODELS. ALL
APPROVED CONFIGURATIONS ARE SHOWN AS
RIGHT HAND ACTIVE, LEFT HAND ACTIVE IS
ALSO APPROVED.

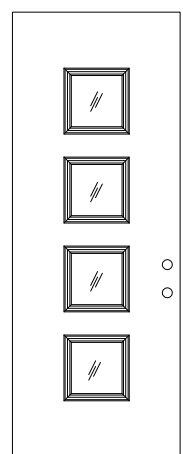
APPROVED LITE CONFIGURATIONS



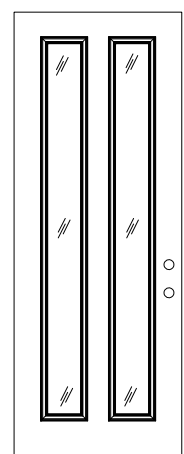
FULL LITE



3 LITE



4 LITE



2 LITE

LITE CONFIGURATIONS SHOWN ARE FOR REFERENCE ONLY. MULTIPLE LITE
CONFIGURATIONS ARE APPROVED AS LONG AS LITE SIZE DOES NOT EXCEED 11.5 FT²

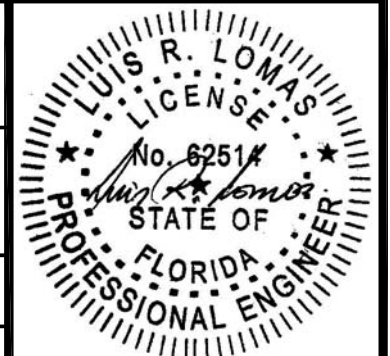
PROVIA, LLC.
2150 STATE ROUTE 39 WEST
SUGARCREEK, OH 44681

20GA. STEEL IS OR OS DOOR W/ AND W/OUT
20" DIRECT SET SIDELITES AND TRANSOM
INSWING/OUTSWING ADDITIONAL CONFIGURATIONS

DRAWN: TJH	DWG NO. 08-00710	REV L
SCALE NTS	DATE 03/17/09	SHEET 4 OF 19

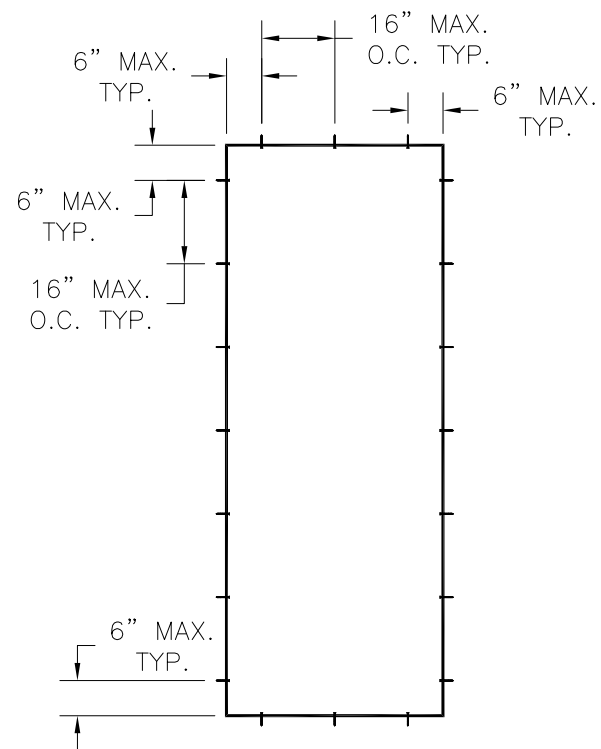
L. ROBERTO LOMAS P.E.
1432 WOODFORD RD LEWISVILLE, NC 27023
434-688-0609 rllomas@lrlomaspe.com

SIGNED: 09/08/2021

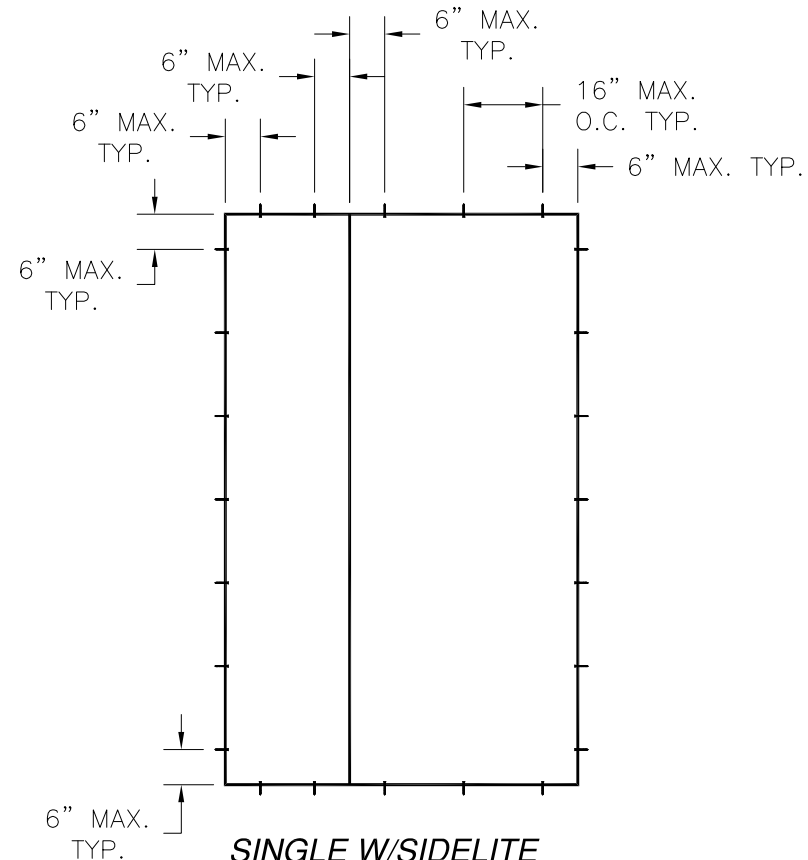


Luis R. Lomas P.E.
FL No.: 62514

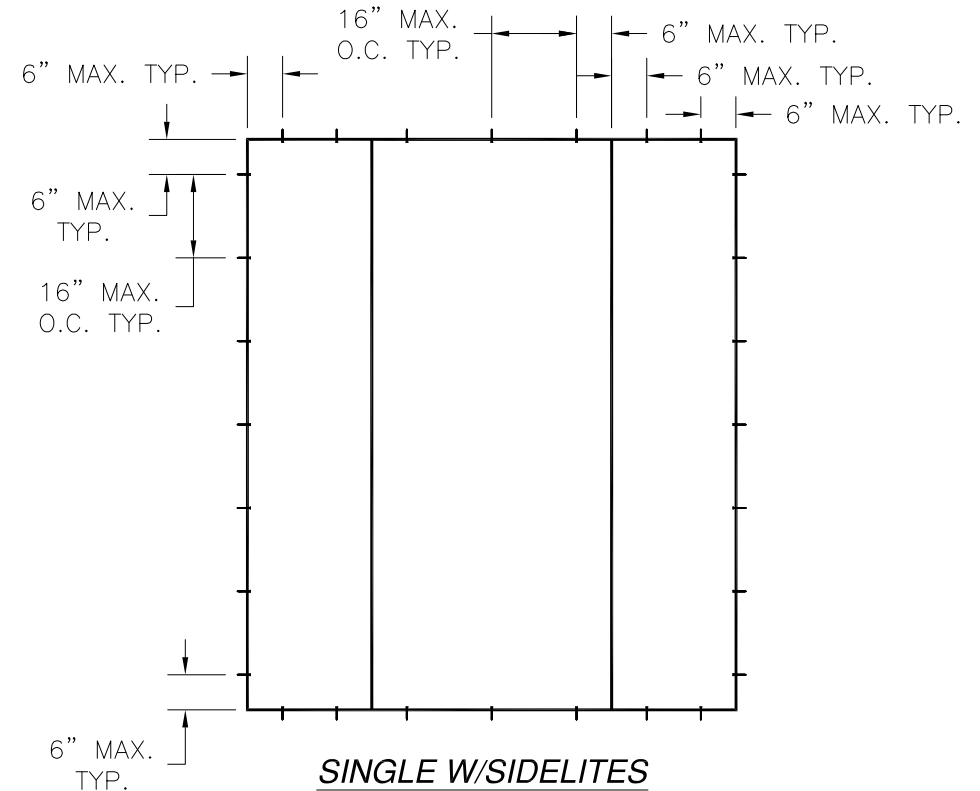
REVISIONS			
REV	DESCRIPTION	DATE	APPROVED
L	ADDED COMPOSITE FRAME	09/08/2021	R.L.



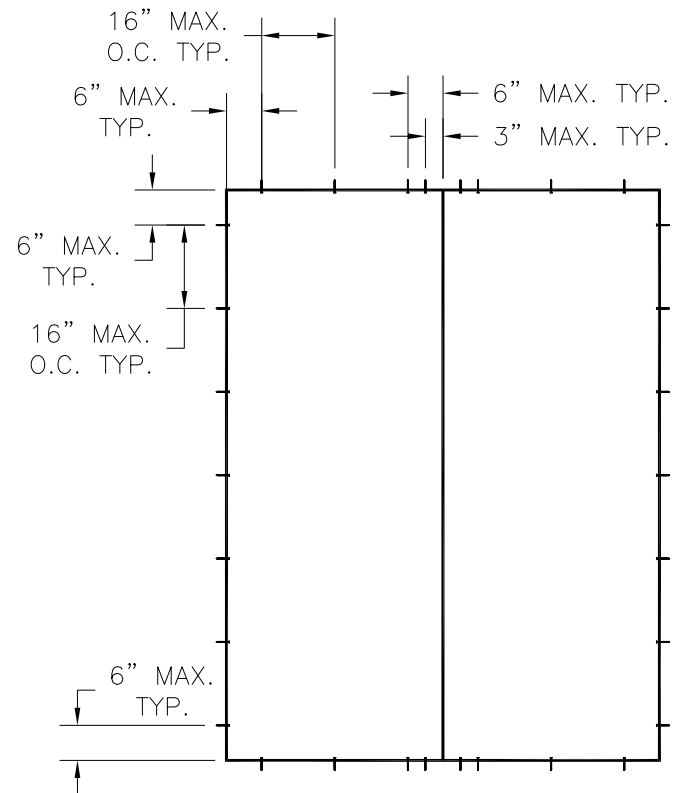
SINGLE



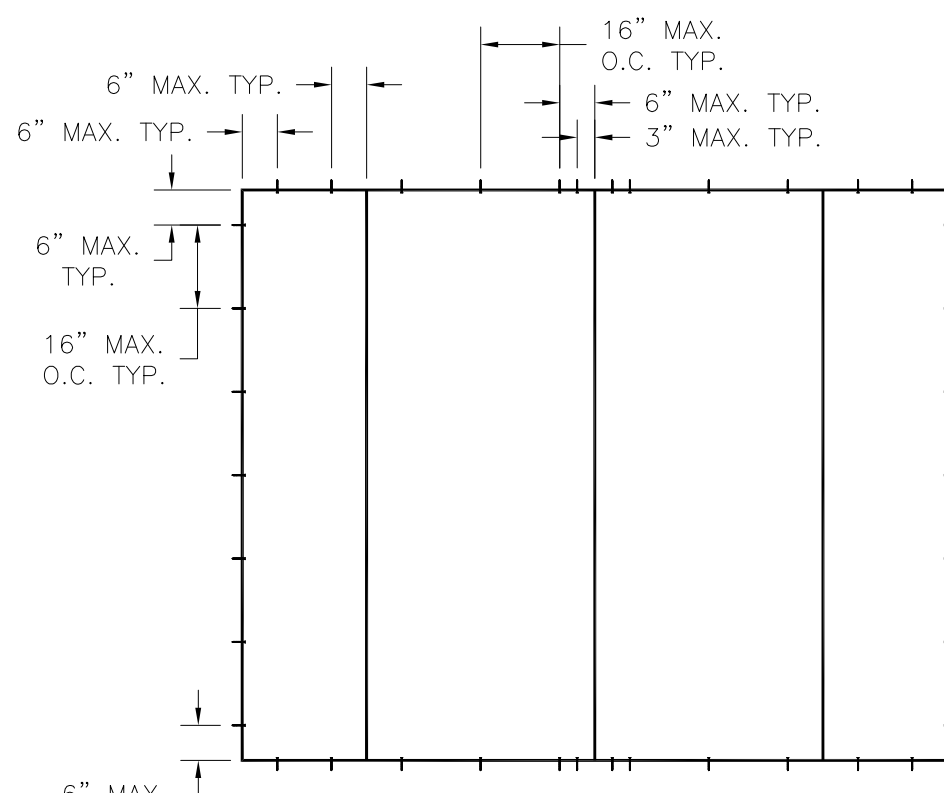
SINGLE W/SIDELITE



SINGLE W/SIDELITES



DOUBLE



DOUBLE W/SIDELITES

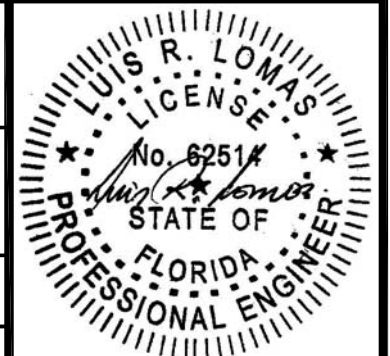
PROVIA, LLC.
 2150 STATE ROUTE 39 WEST
 SUGARCREEK, OH 44681

20GA. STEEL IS OR OS DOOR W/ AND W/OUT
 20" DIRECT SET SIDELITES AND TRANSOM
 ANCHORING LAYOUTS WITHOUT TRANSOMS

DRAWN: TJH	DWG NO. 08-00710	REV L
SCALE NTS	DATE 03/17/09	SHEET 5 OF 19

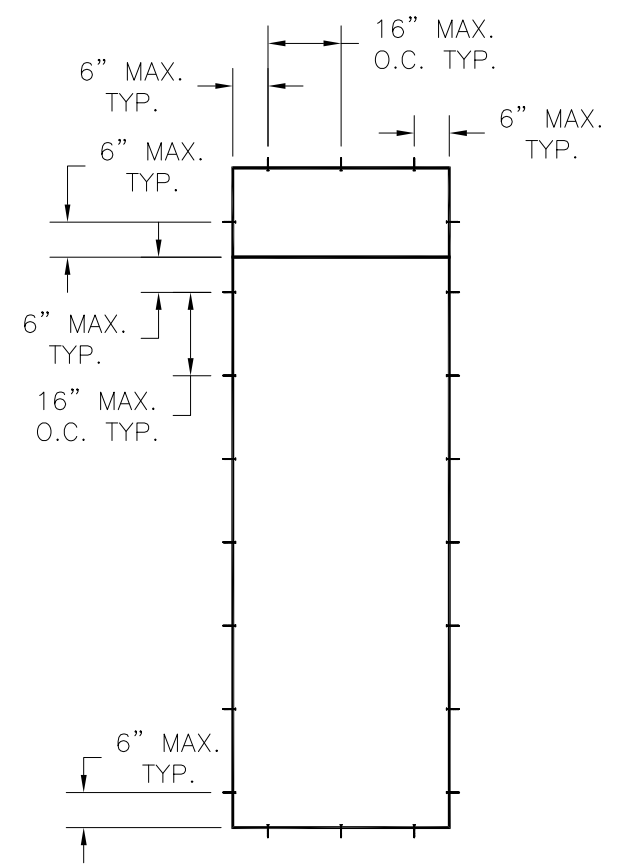
L. ROBERTO LOMAS P.E.
 1432 WOODFORD RD LEWISVILLE, NC 27023
 434-688-0609 rllomas@lrlomaspe.com

SIGNED: 09/08/2021

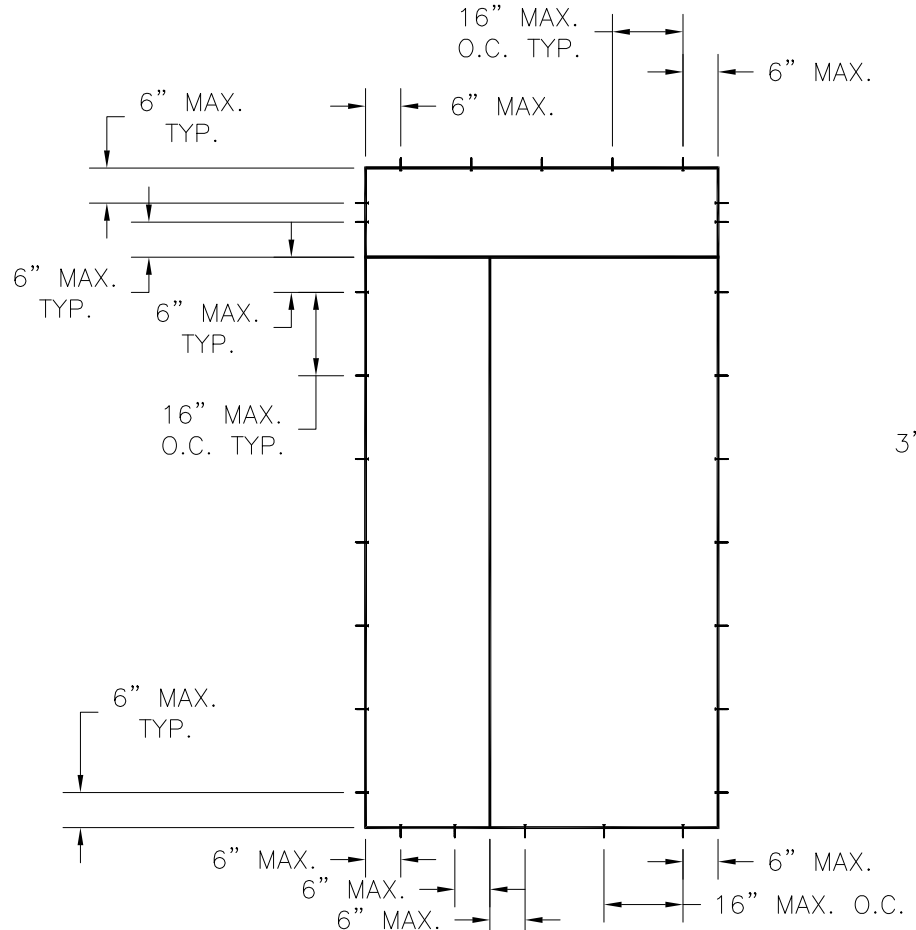


Luis R. Lomas P.E.
 FL No.: 62514

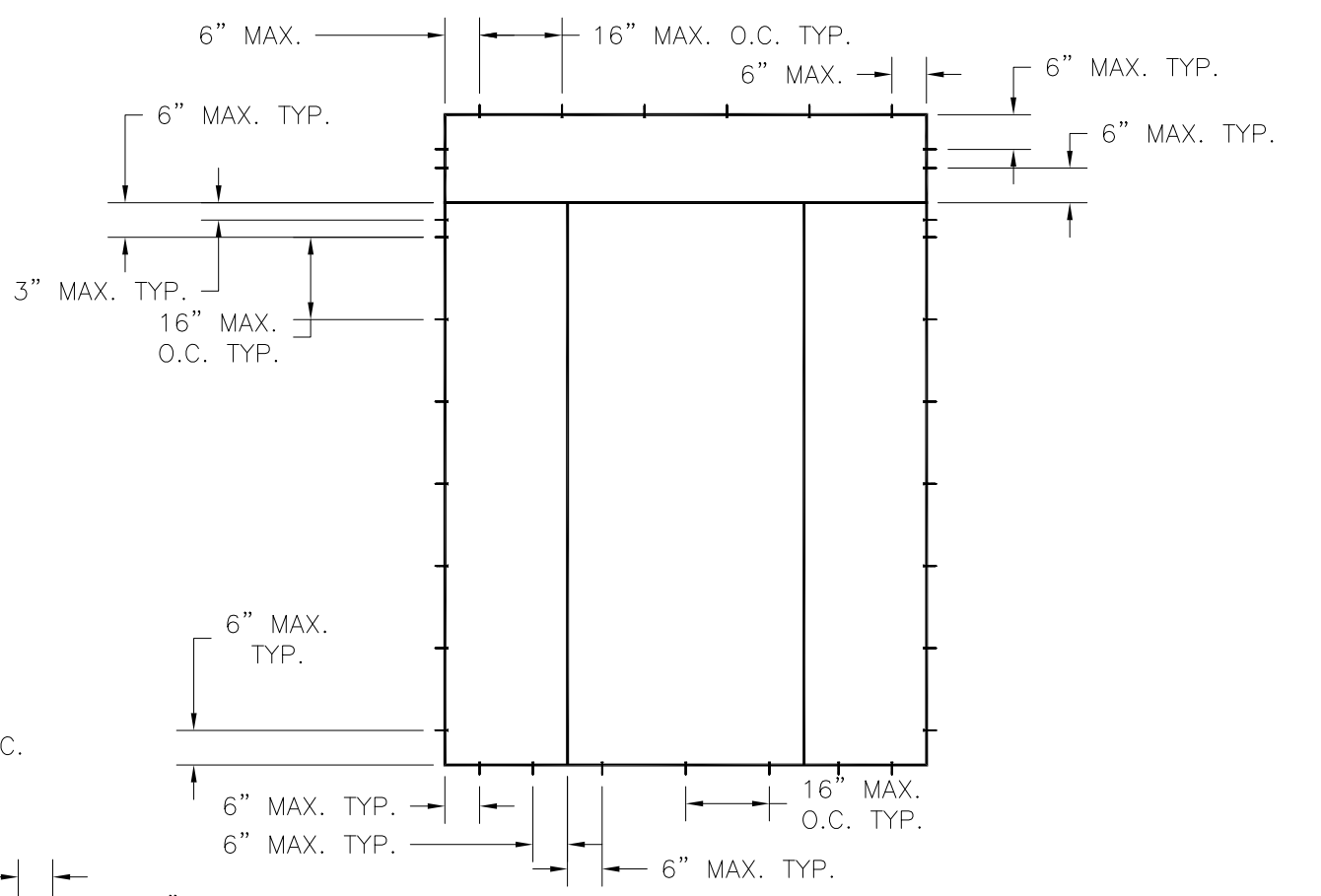
REVISIONS			
REV	DESCRIPTION	DATE	APPROVED
L	ADDED COMPOSITE FRAME	09/08/2021	R.L.



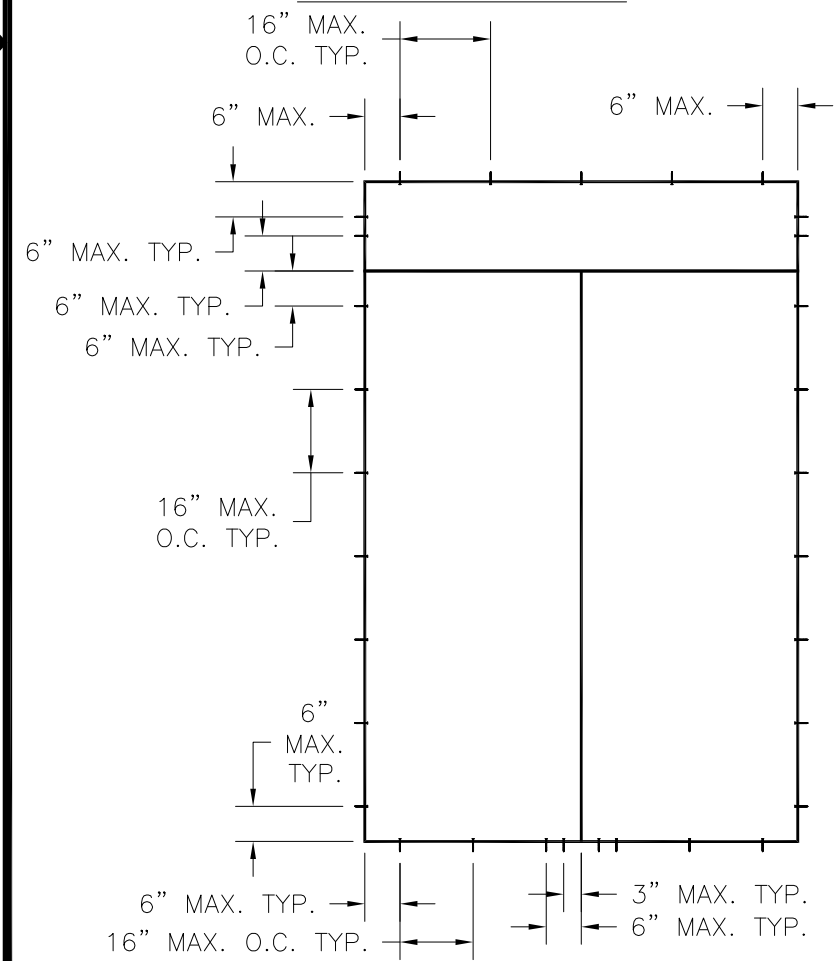
SINGLE W/TRANSOM



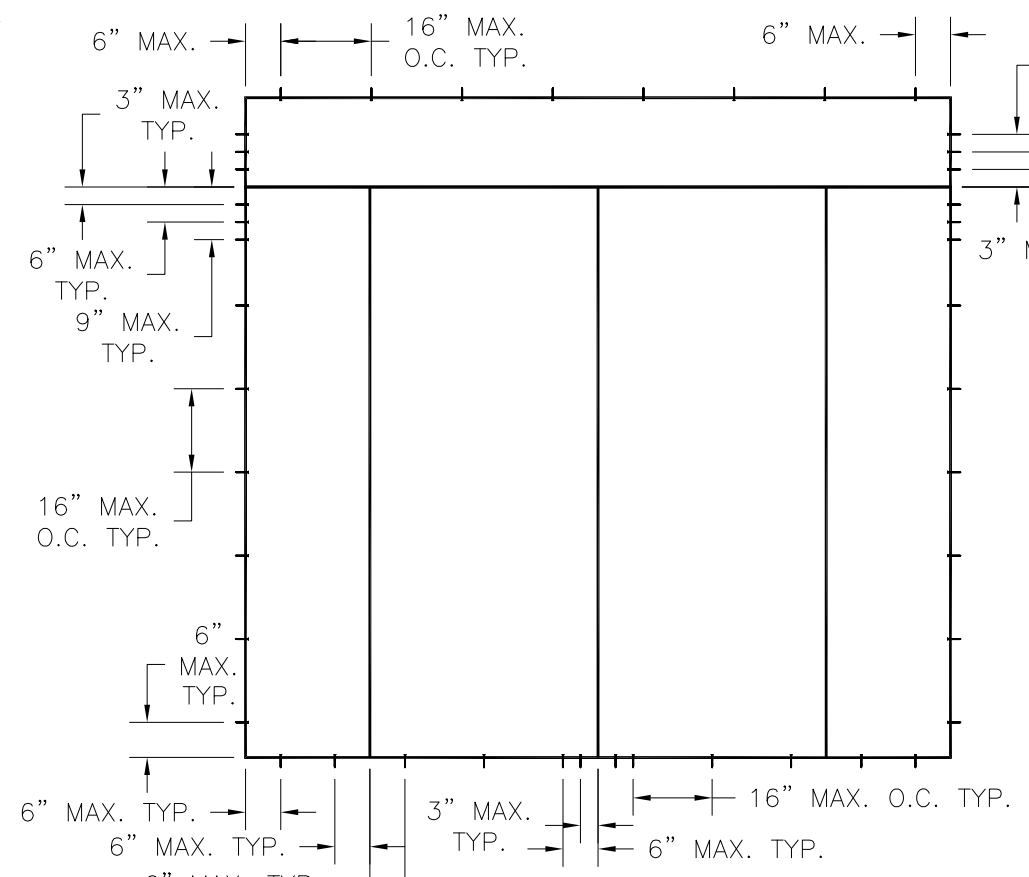
SINGLE W/SIDELITE & TRANSOM



SINGLE W/SIDELITES & TRANSOM



DOUBLE W/TRANSOM



DOUBLE W/SIDELITES & TRANSOM

PROVIA, LLC.
 2150 STATE ROUTE 39 WEST
 SUGARCREEK, OH 44681

20GA. STEEL IS OR OS DOOR W/ AND W/OUT
 20" DIRECT SET SIDELITES AND TRANSOM
 ANCHORING LAYOUTS WITH TRANSOMS

DRAWN: TJH	DWG NO. 08-00710	REV L
SCALE NTS	DATE 03/17/09	SHEET 6 OF 19

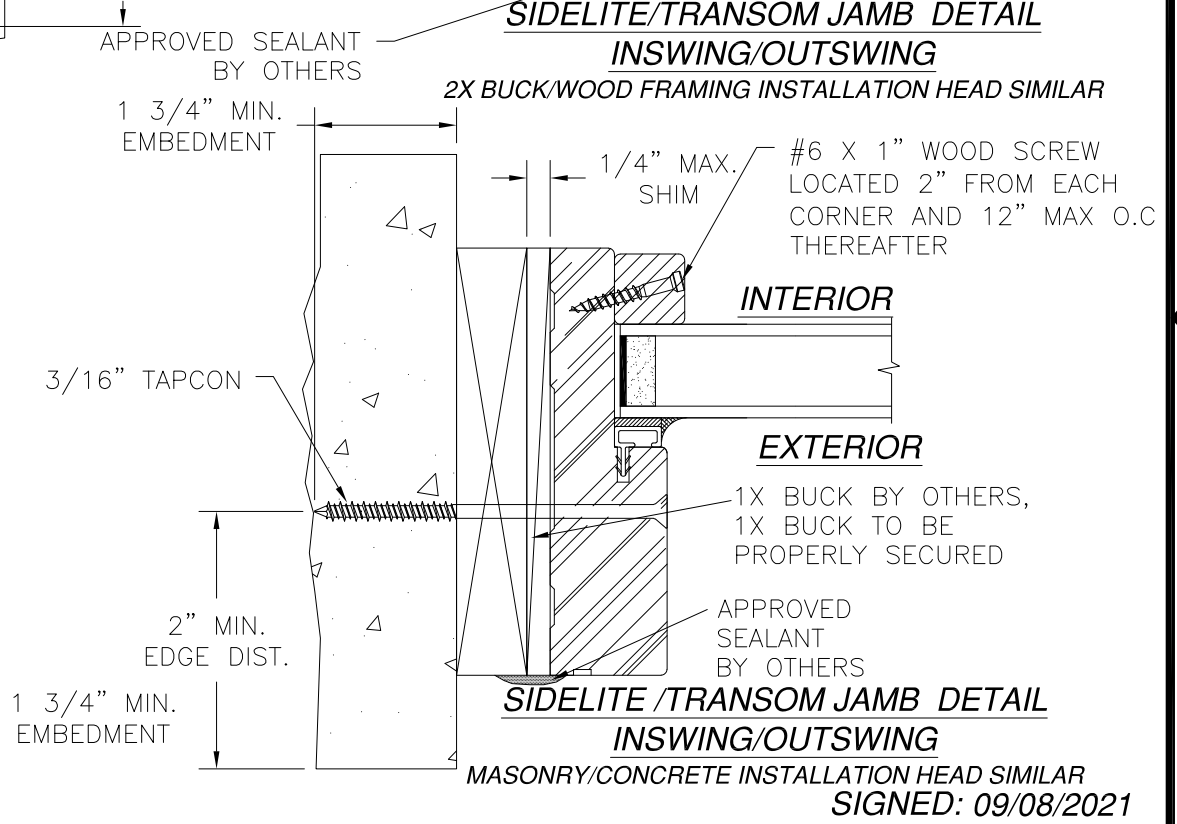
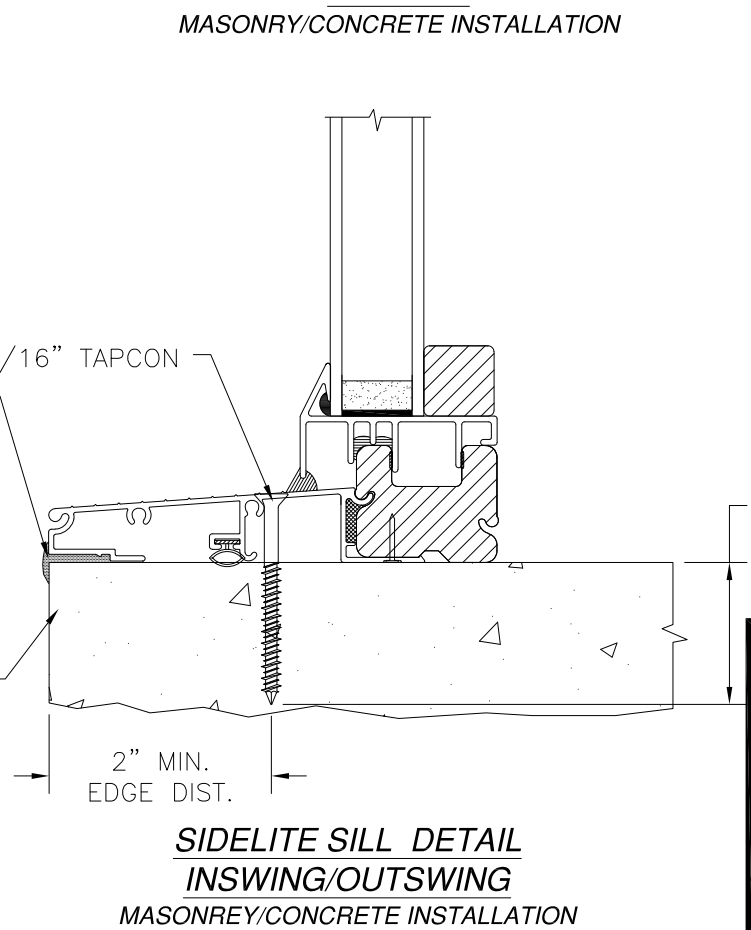
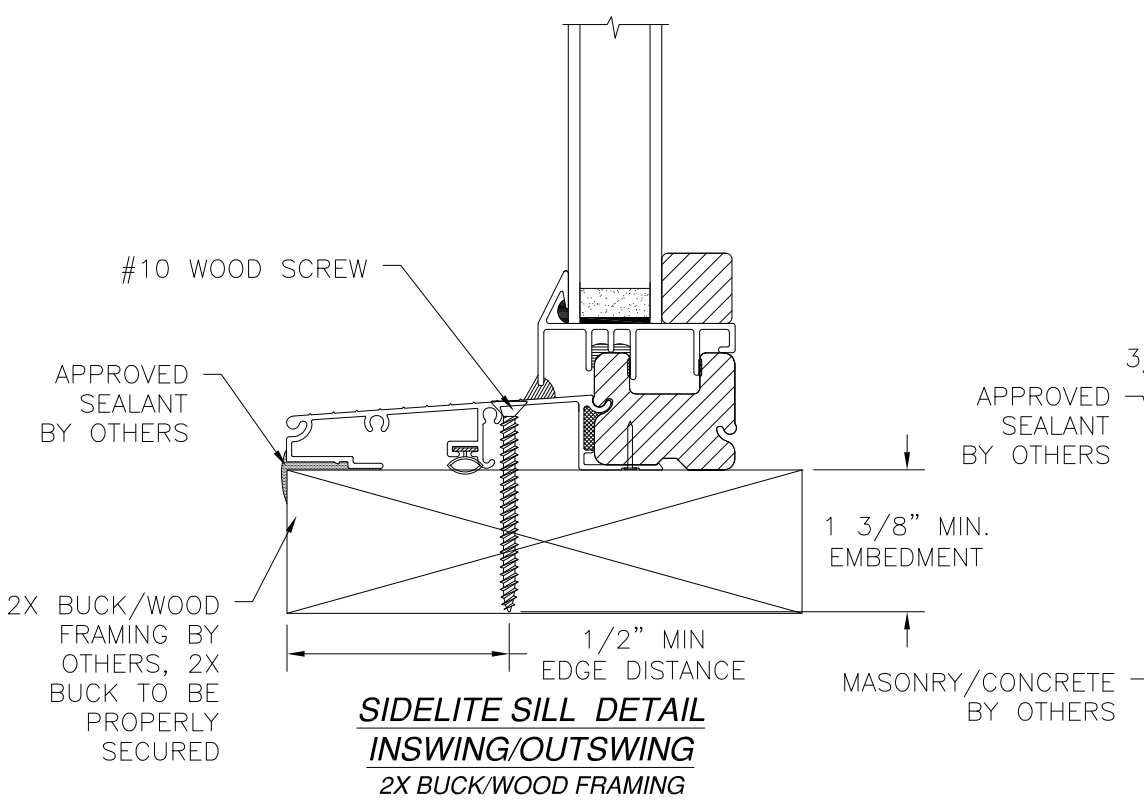
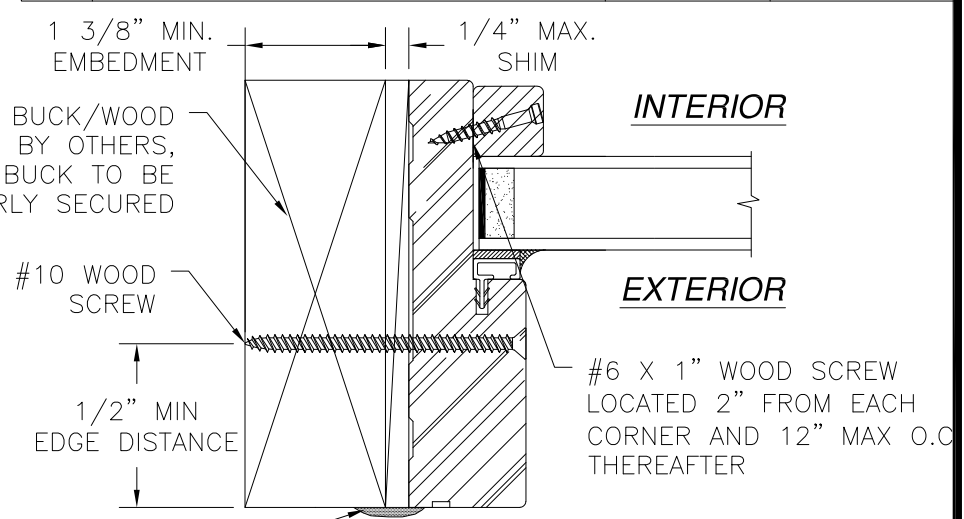
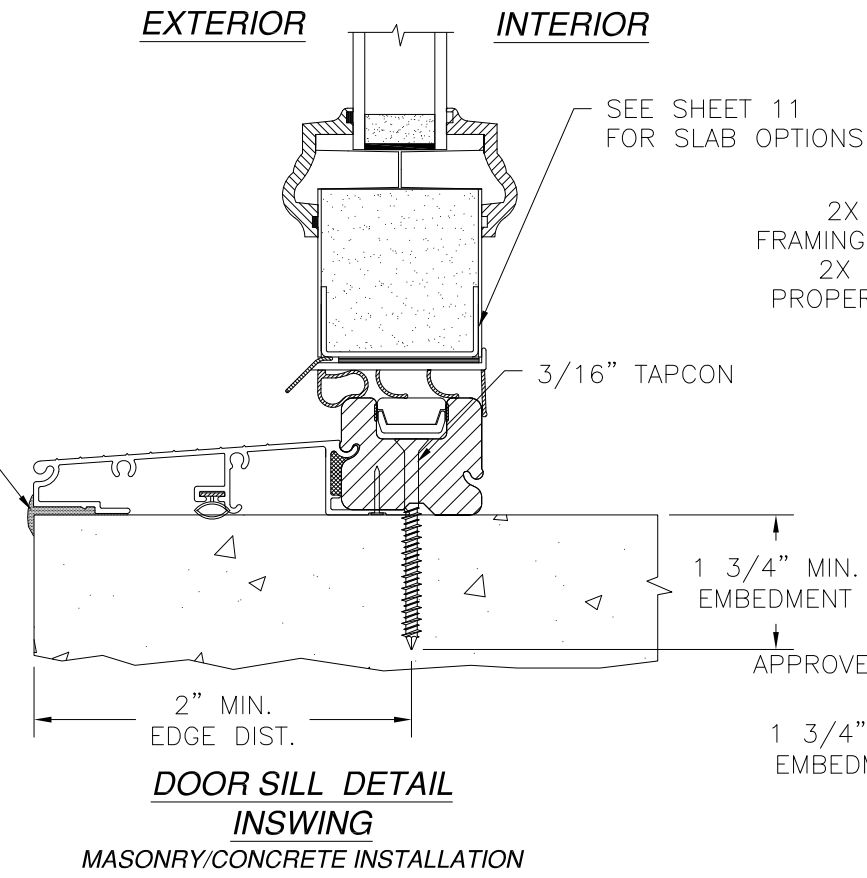
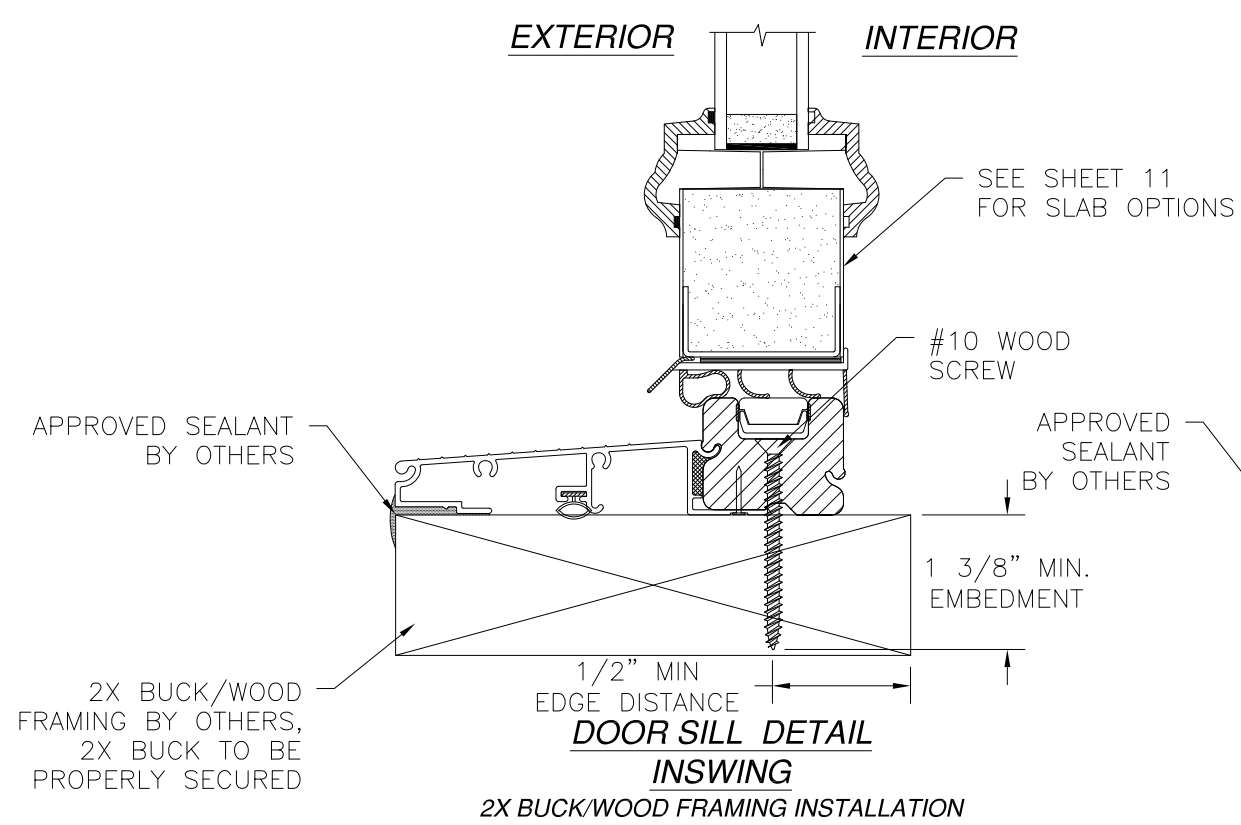
L. ROBERTO LOMAS P.E.
 1432 WOODFORD RD LEWISVILLE, NC 27023
 434-688-0609 rllomas@rlomaspe.com

SIGNED: 09/08/2021



Luis R. Lomas P.E.
 FL No.: 62514

REVISIONS			
REV	DESCRIPTION	DATE	APPROVED
L	ADDED COMPOSITE FRAME	09/08/2021	R.L.



- NOTES:
1. INTERIOR AND EXTERIOR FINISHES, BY OTHERS, NOT SHOWN FOR CLARITY.
 2. PERIMETER AND JOINT SEALANT BY OTHERS TO BE DESIGNED IN ACCORDANCE WITH ASTM E2112

PROVIA, LLC.
 2150 STATE ROUTE 39 WEST
 SUGARCREEK, OH 44681

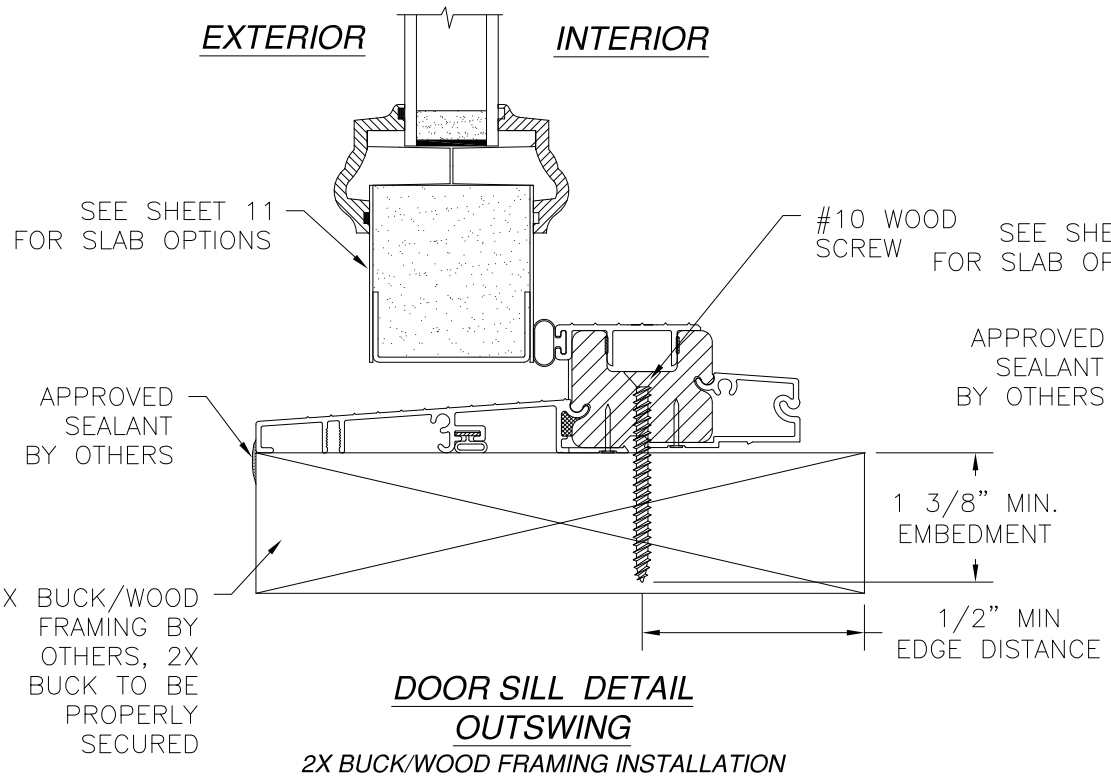
20GA. STEEL IS OR OS DOOR W/ AND W/OUT
 20" DIRECT SET SIDELITES AND TRANSOM
 INSTALLATION DETAILS

DRAWN: TJH	DWG NO. 08-00710	REV L
SCALE NTS	DATE 03/17/09	SHEET 7 OF 19

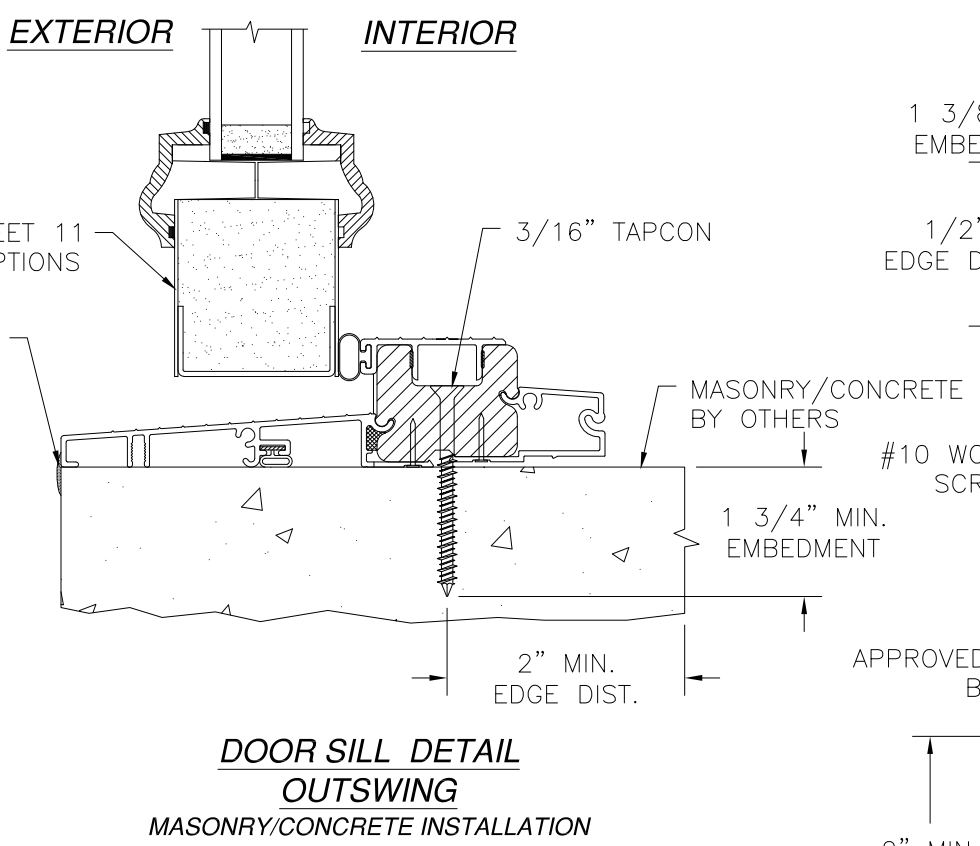
L. ROBERTO LOMAS P.E.
 1432 WOODFORD RD LEWISVILLE, NC 27023
 434-688-0609 rllomas@rlomaspe.com

Luis R. Lomas P.E.
 FL No.: 62514

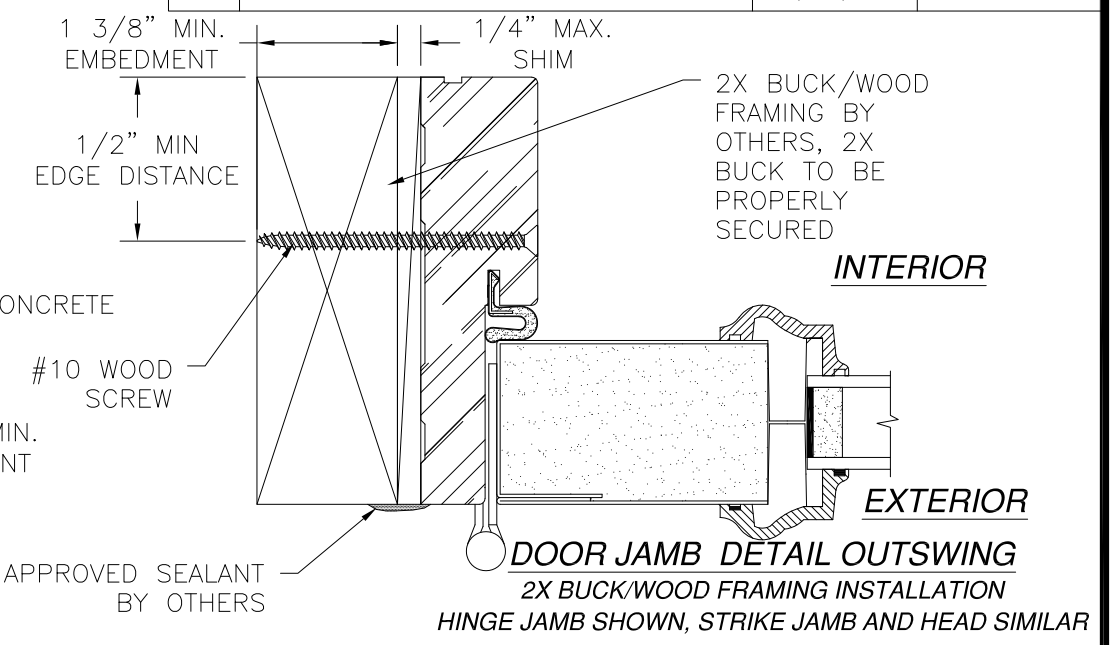
REVISIONS			
REV	DESCRIPTION	DATE	APPROVED
L	ADDED COMPOSITE FRAME	09/08/2021	R.L.



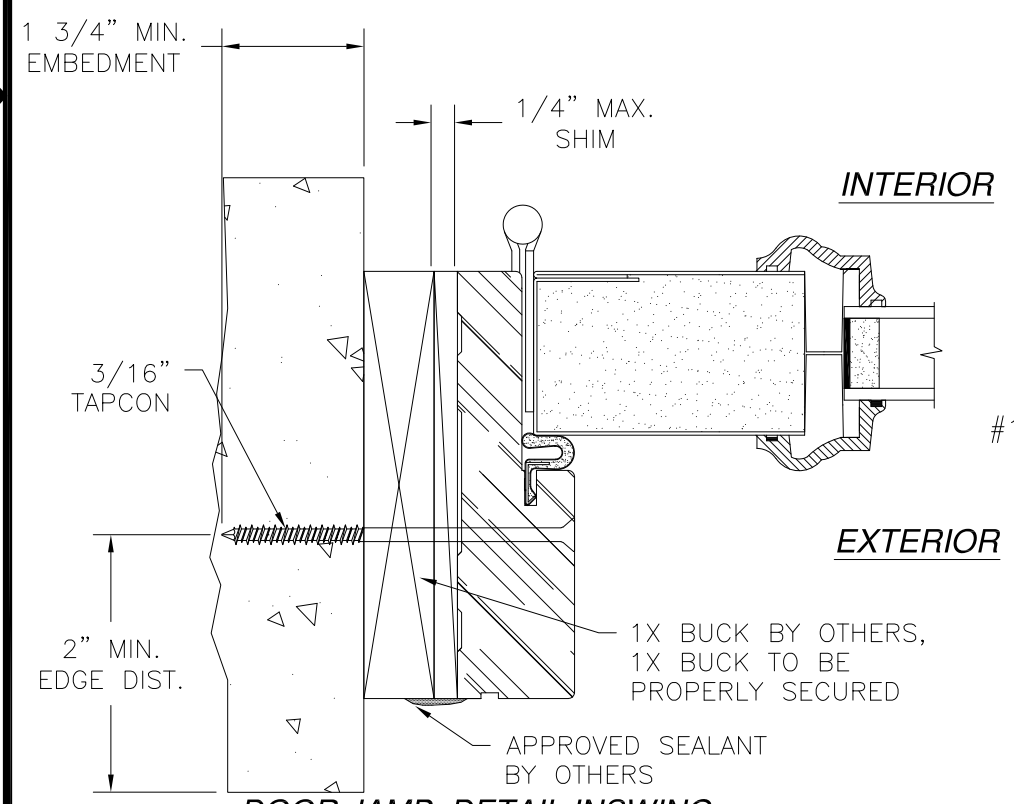
DOOR SILL DETAIL OUTSWING
2X BUCK/WOOD FRAMING INSTALLATION



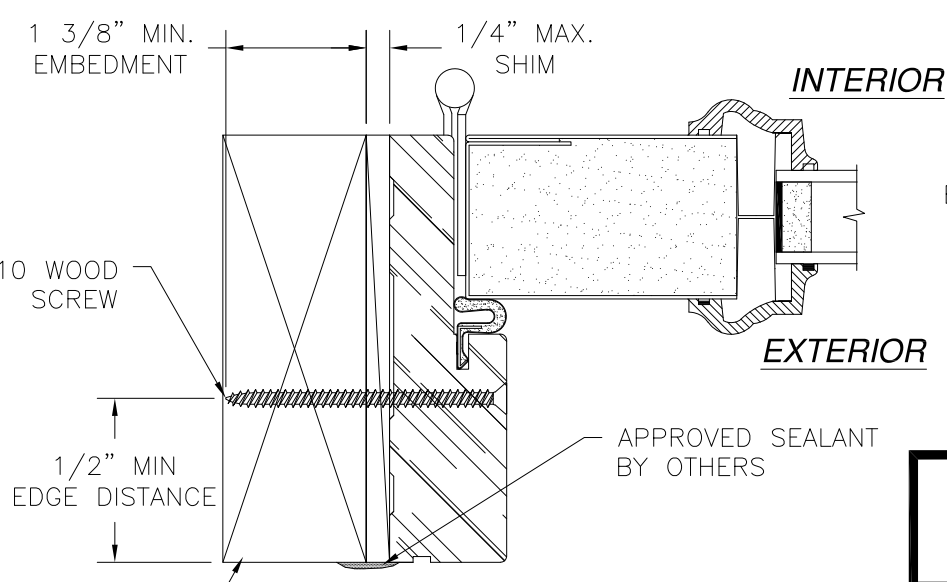
DOOR SILL DETAIL OUTSWING
MASONRY/CONCRETE INSTALLATION



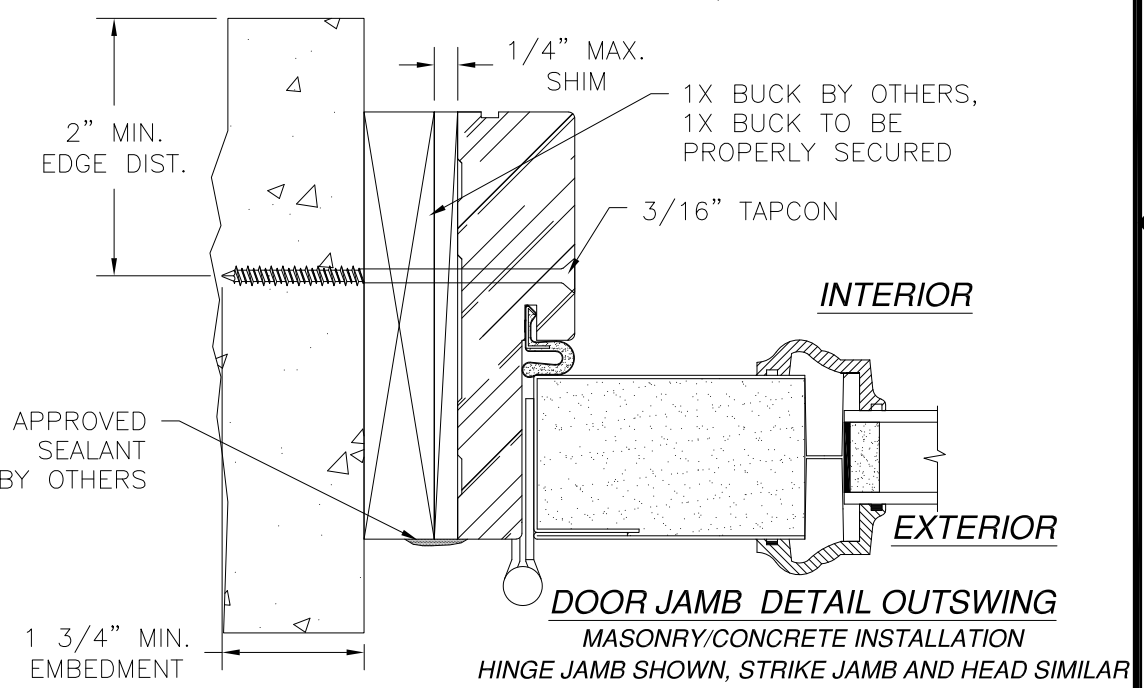
DOOR JAMB DETAIL OUTSWING
2X BUCK/WOOD FRAMING INSTALLATION
HINGE JAMB SHOWN, STRIKE JAMB AND HEAD SIMILAR



DOOR JAMB DETAIL INSWING
MASONRY/CONCRETE INSTALLATION



DOOR JAMB DETAIL INSWING
2X BUCK/WOOD FRAMING INSTALLATION
HINGE JAMB SHOWN, STRIKE JAMB AND HEAD SIMILAR



DOOR JAMB DETAIL OUTSWING
MASONRY/CONCRETE INSTALLATION
HINGE JAMB SHOWN, STRIKE JAMB AND HEAD SIMILAR

- NOTES:**
1. INTERIOR AND EXTERIOR FINISHES, BY OTHERS, NOT SHOWN FOR CLARITY.
 2. PERIMETER AND JOINT SEALANT BY OTHERS TO BE DESIGNED IN ACCORDANCE WITH ASTM E2112

2X BUCK/WOOD FRAMING BY OTHERS, 2X BUCK TO BE PROPERLY SECURED

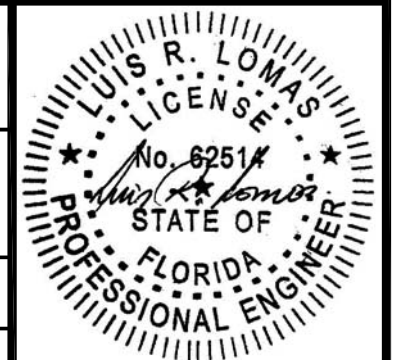
SIGNED: 09/08/2021

PROVIA, LLC.
2150 STATE ROUTE 39 WEST
SUGARCREEK, OH 44681

20GA. STEEL IS OR OS DOOR W/ AND W/OUT
20" DIRECT SET SIDELITES AND TRANSOM
INSTALLATION DETAILS

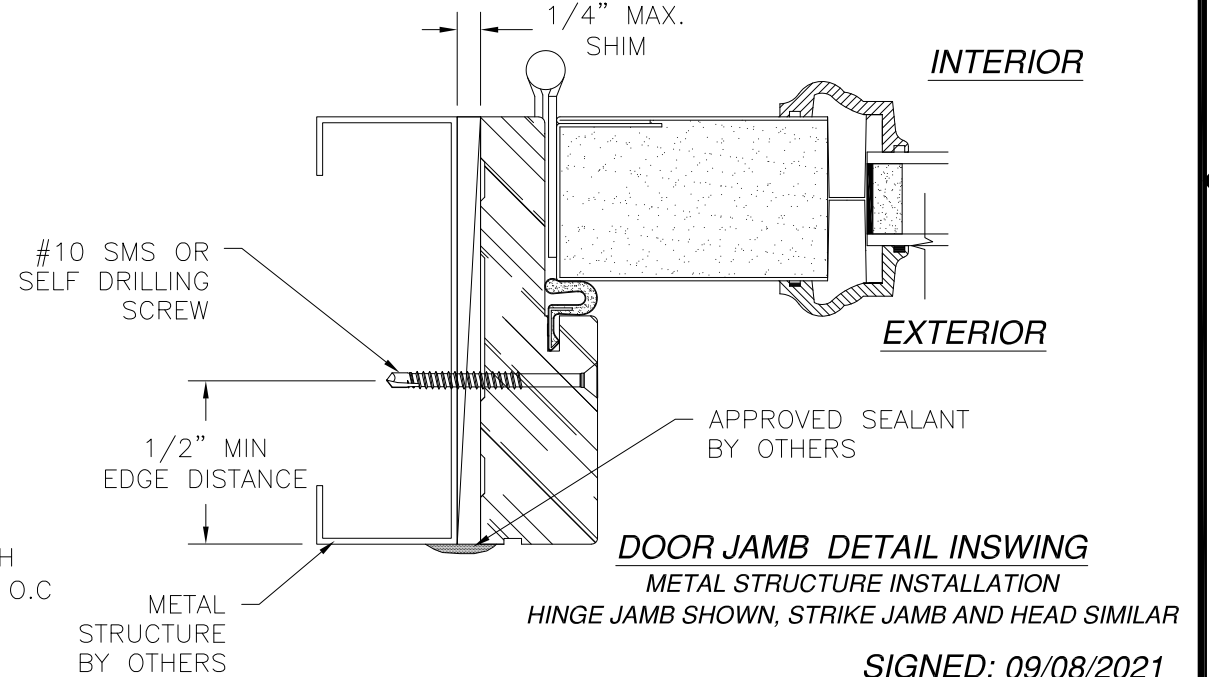
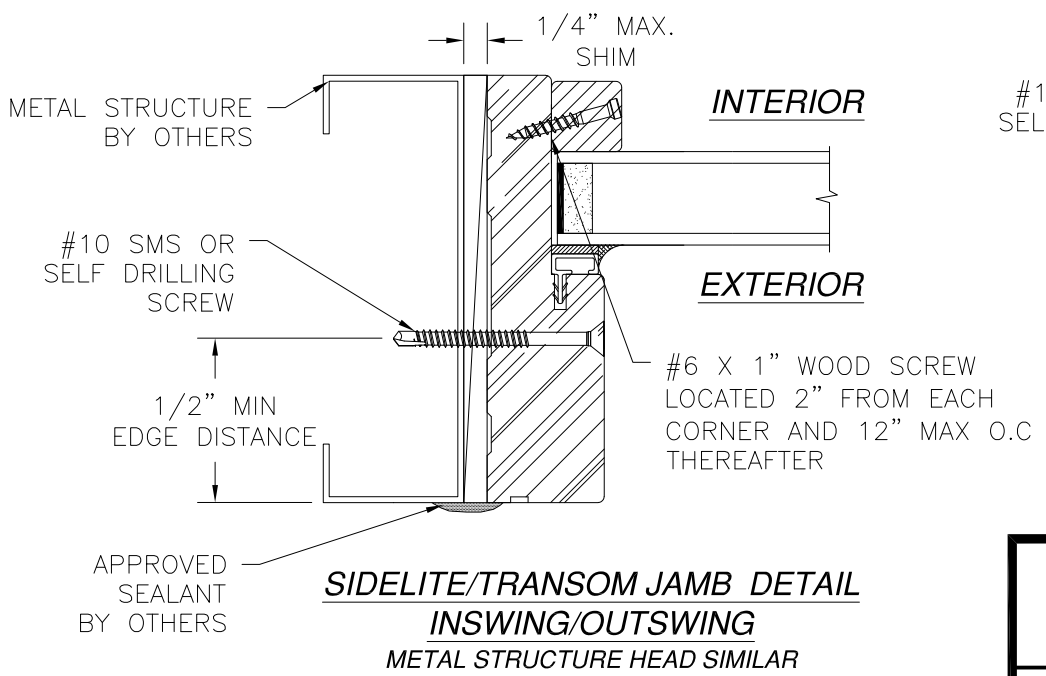
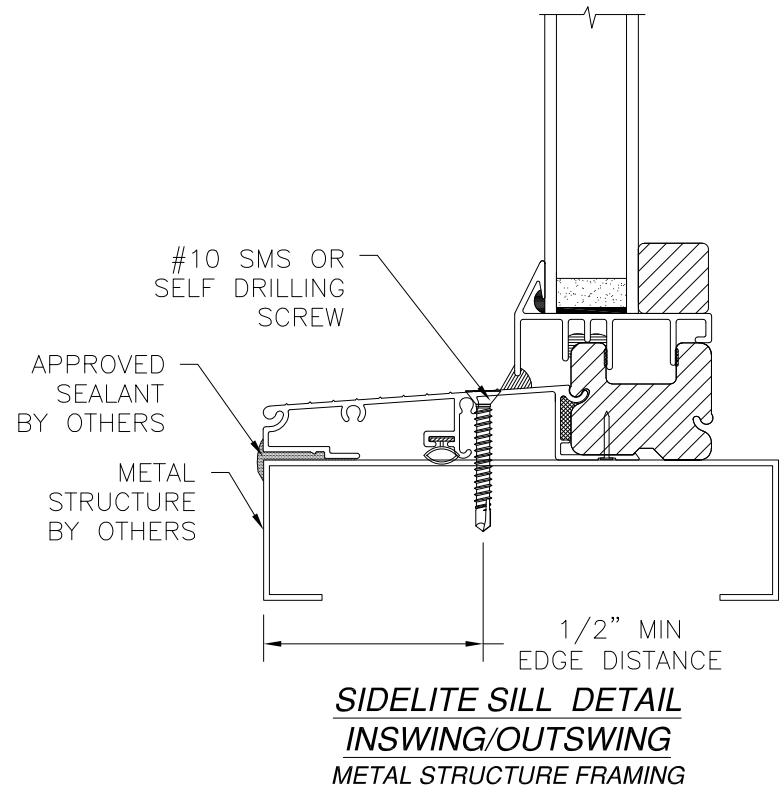
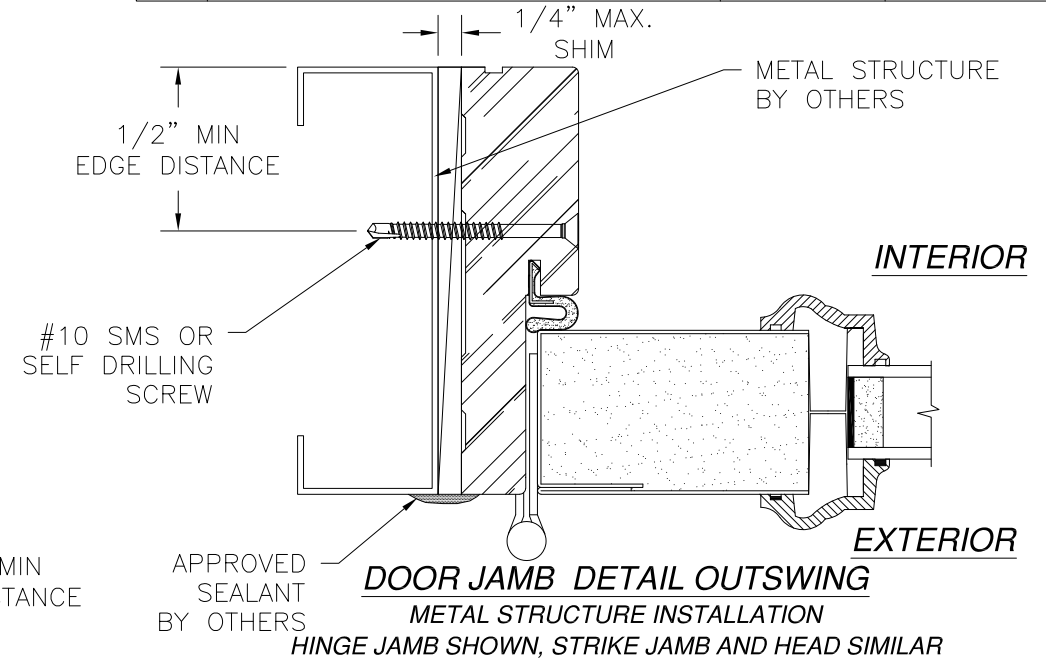
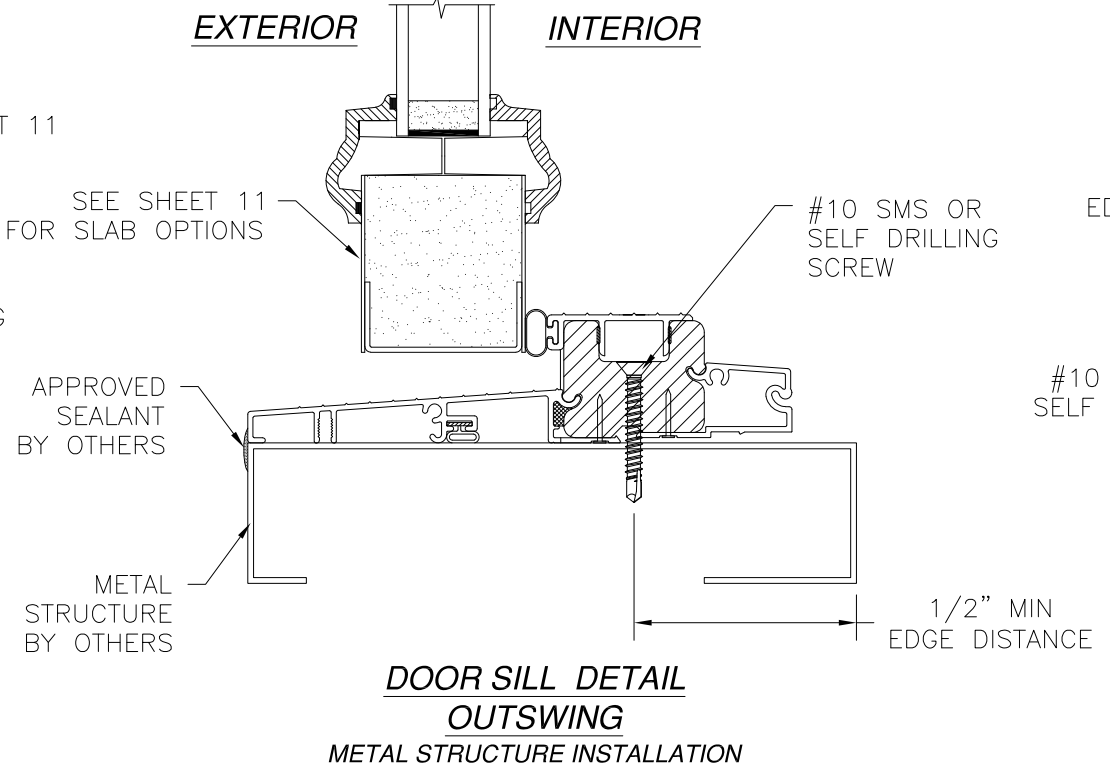
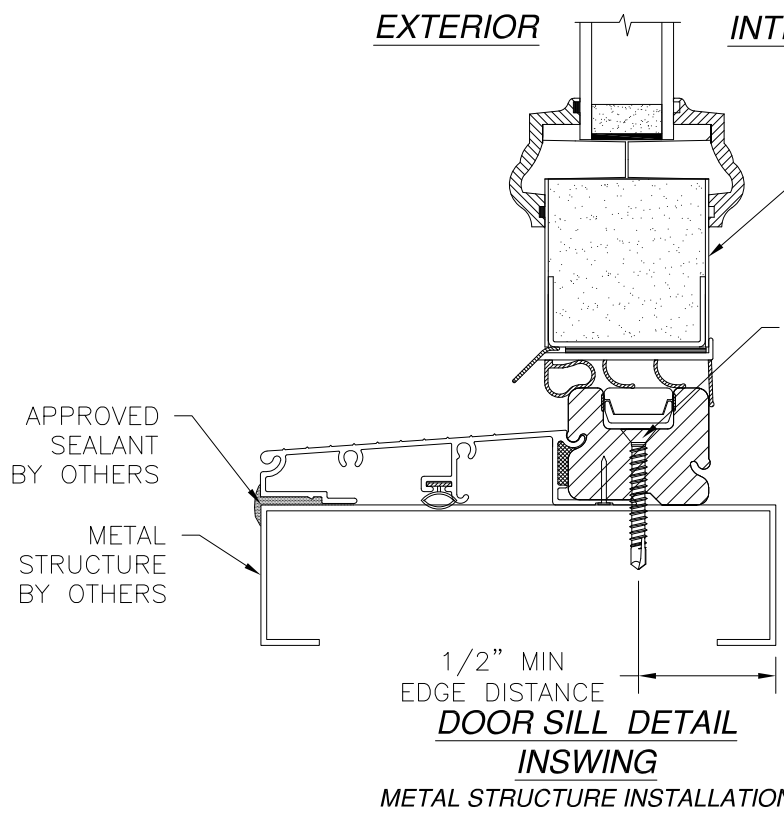
DRAWN: TJH	DWG NO. 08-00710	REV L
SCALE NTS	DATE 03/17/09	SHEET 8 OF 19

L. ROBERTO LOMAS P.E.
1432 WOODFORD RD LEWISVILLE, NC 27023
434-688-0609 rllomas@rlomaspe.com



Luis R. Lomas P.E.
FL No.: 62514

REVISIONS			
REV	DESCRIPTION	DATE	APPROVED
L	ADDED COMPOSITE FRAME	09/08/2021	R.L.



- NOTES:
1. INTERIOR AND EXTERIOR FINISHES, BY OTHERS, NOT SHOWN FOR CLARITY.
 2. PERIMETER AND JOINT SEALANT BY OTHERS TO BE DESIGNED IN ACCORDANCE WITH ASTM E2112

PROVIA, LLC.
 2150 STATE ROUTE 39 WEST
 SUGARCREEK, OH 44681

20GA. STEEL IS OR OS DOOR W/ AND W/OUT
 20" DIRECT SET SIDELITES AND TRANSOM
 INSTALLATION DETAILS

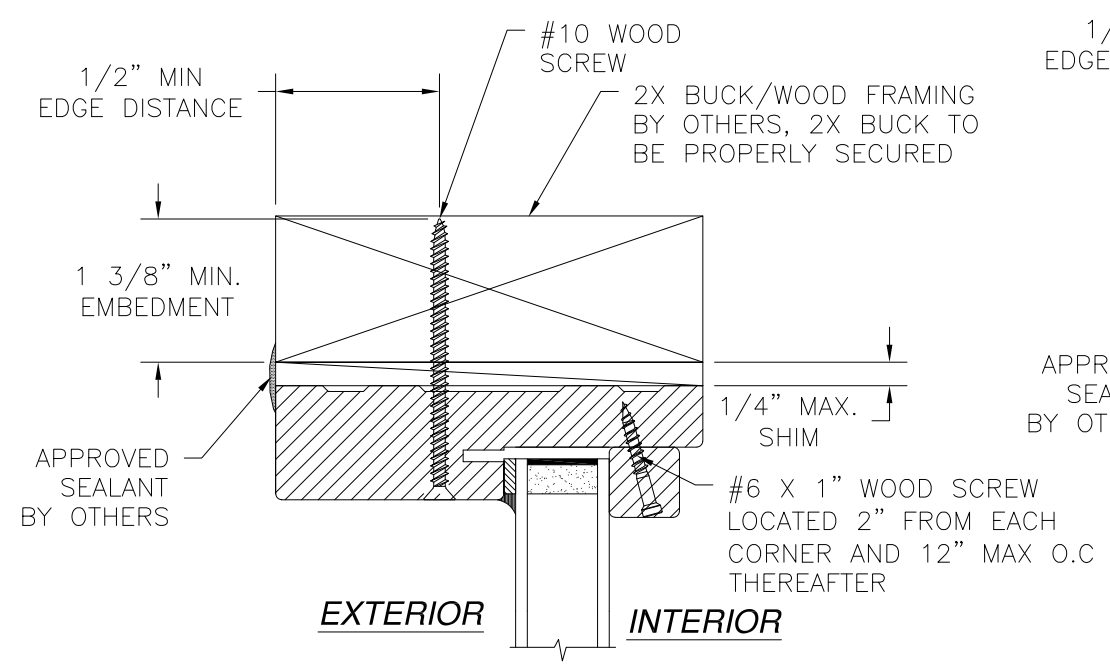
DRAWN: TJH	DWG NO. 08-00710	REV L
SCALE NTS	DATE 03/17/09	SHEET 9 OF 19

L. ROBERTO LOMAS P.E.
 1432 WOODFORD RD LEWISVILLE, NC 27023
 434-688-0609 rllomas@rlomaspe.com

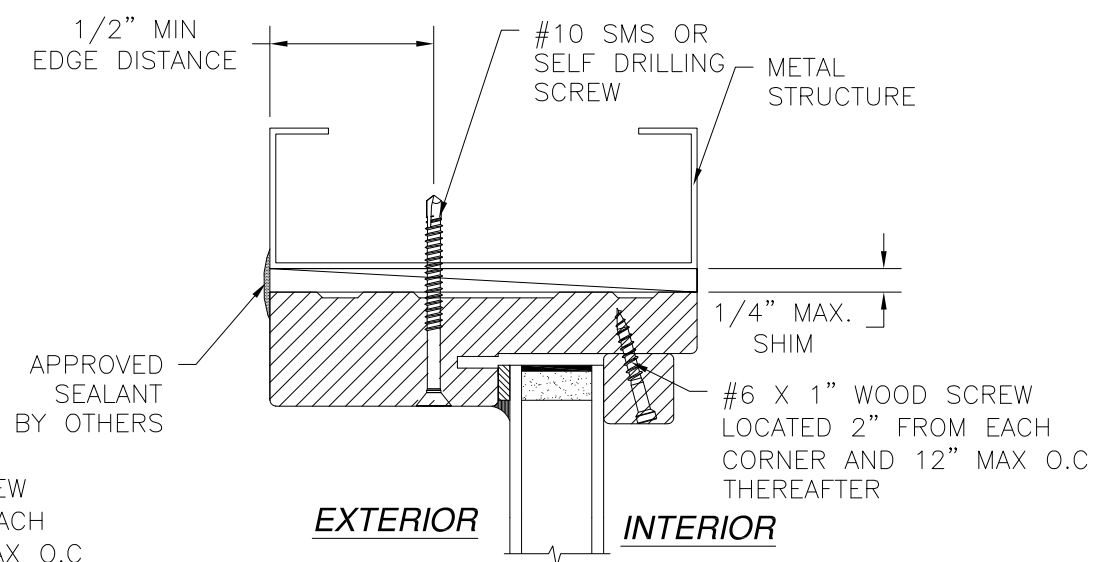
SIGNED: 09/08/2021

Luis R. Lomas P.E.
 FL No.: 62514

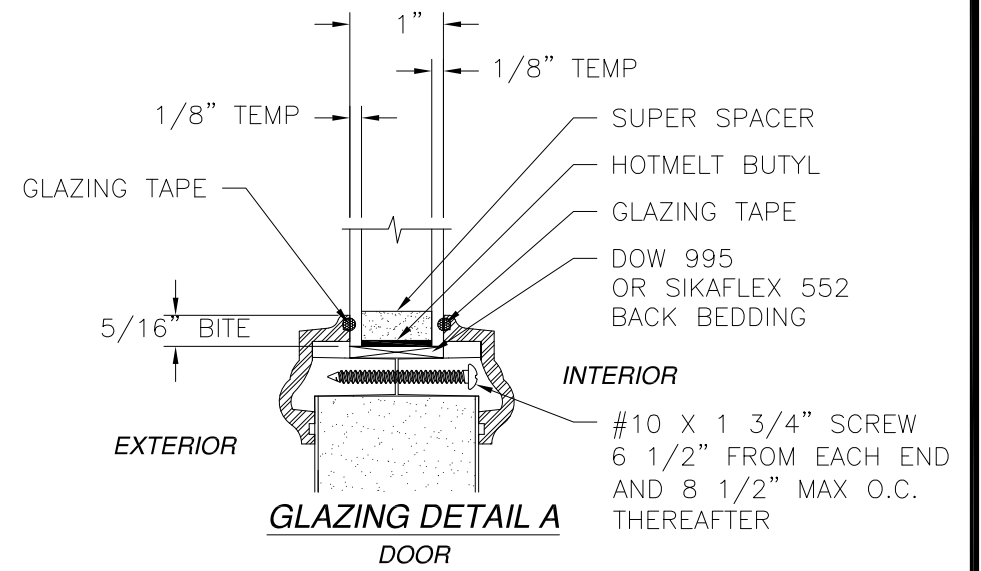
REVISIONS			
REV	DESCRIPTION	DATE	APPROVED
L	ADDED COMPOSITE FRAME	09/08/2021	R.L.



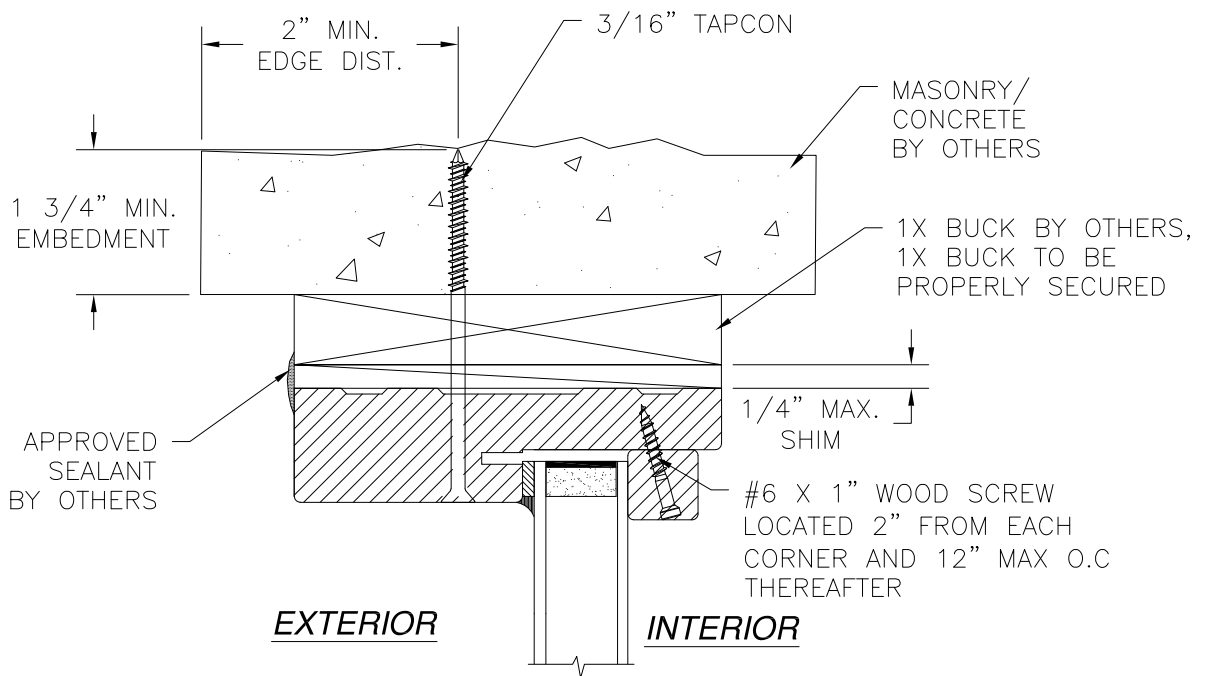
**TRANSOM DETAIL
INSWING/OUTSWING
2X BUCK/WOOD FRAMING INSTALLATION
HEAD SHOWN JAMBS SIMILAR**



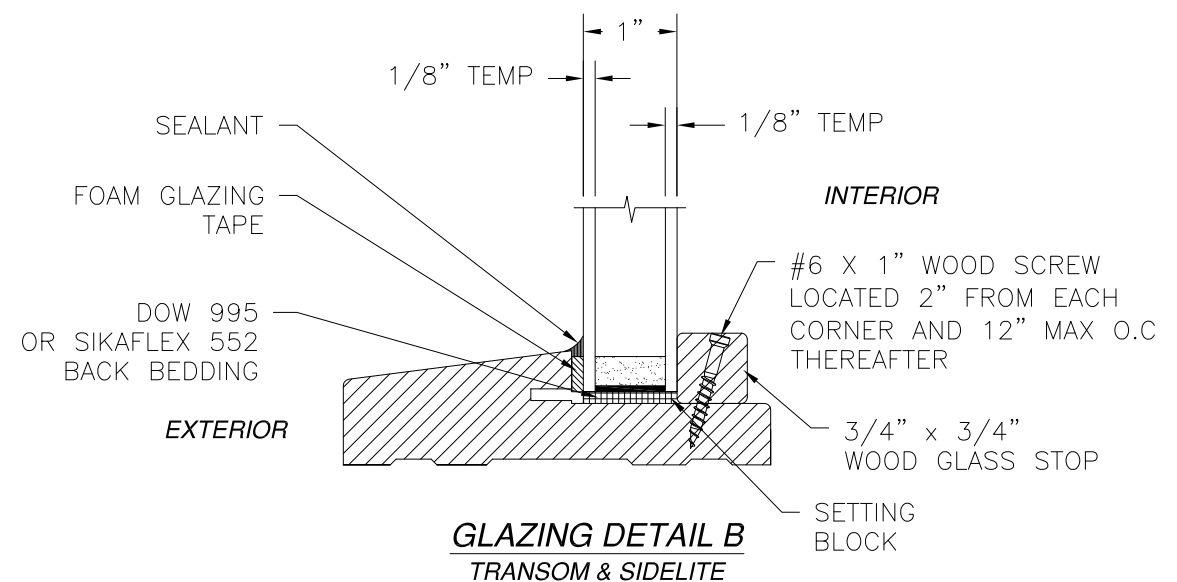
**TRANSOM DETAIL
INSWING/OUTSWING
METAL STRUCTURE INSTALLATION
HEAD SHOWN JAMBS SIMILAR**



**GLAZING DETAIL A
DOOR**



**TRANSOM DETAIL
INSWING/OUTSWING
MASONRY/CONCRETE INSTALLATION
HEAD SHOWN JAMBS SIMILAR**



**GLAZING DETAIL B
TRANSOM & SIDELITE**

- NOTES:**
1. INTERIOR AND EXTERIOR FINISHES, BY OTHERS, NOT SHOWN FOR CLARITY.
 2. PERIMETER AND JOINT SEALANT BY OTHERS TO BE DESIGNED IN ACCORDANCE WITH ASTM F2112

SIGNED: 09/08/2021

PROVIA, LLC.
2150 STATE ROUTE 39 WEST
SUGARCREEK, OH 44681

20GA. STEEL IS OR OS DOOR W/ AND W/OUT
20" DIRECT SET SIDELITES AND TRANSOM
INSTALLATION AND GLAZING DETAILS

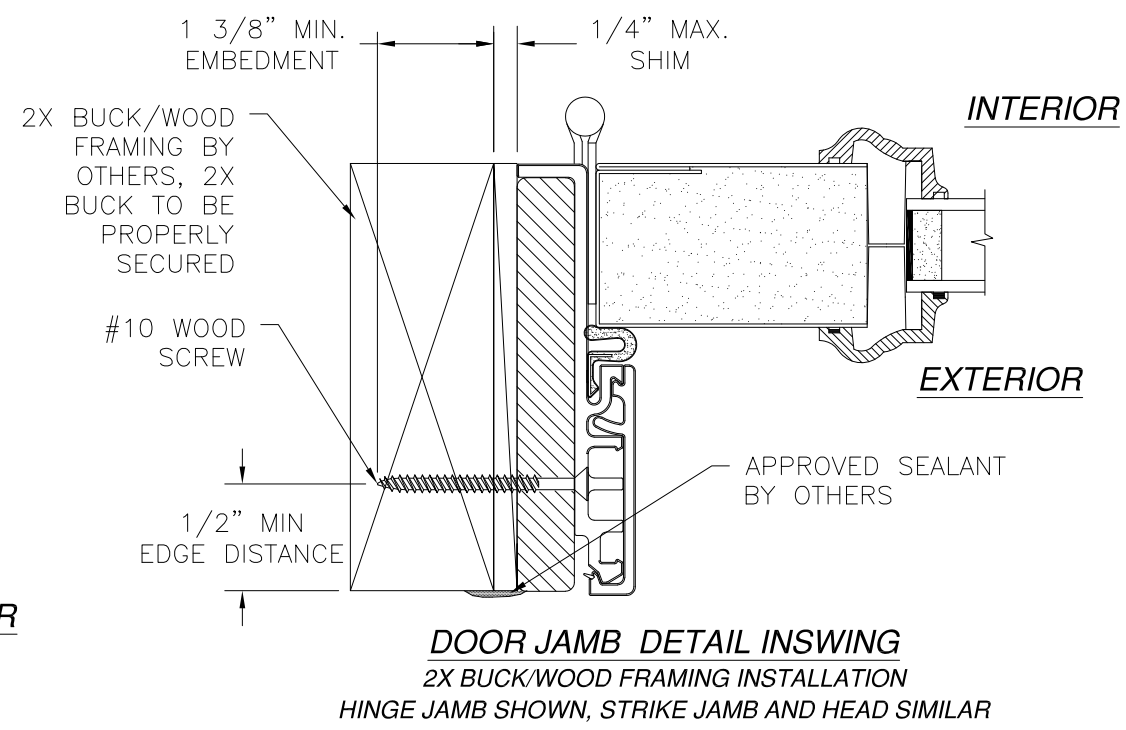
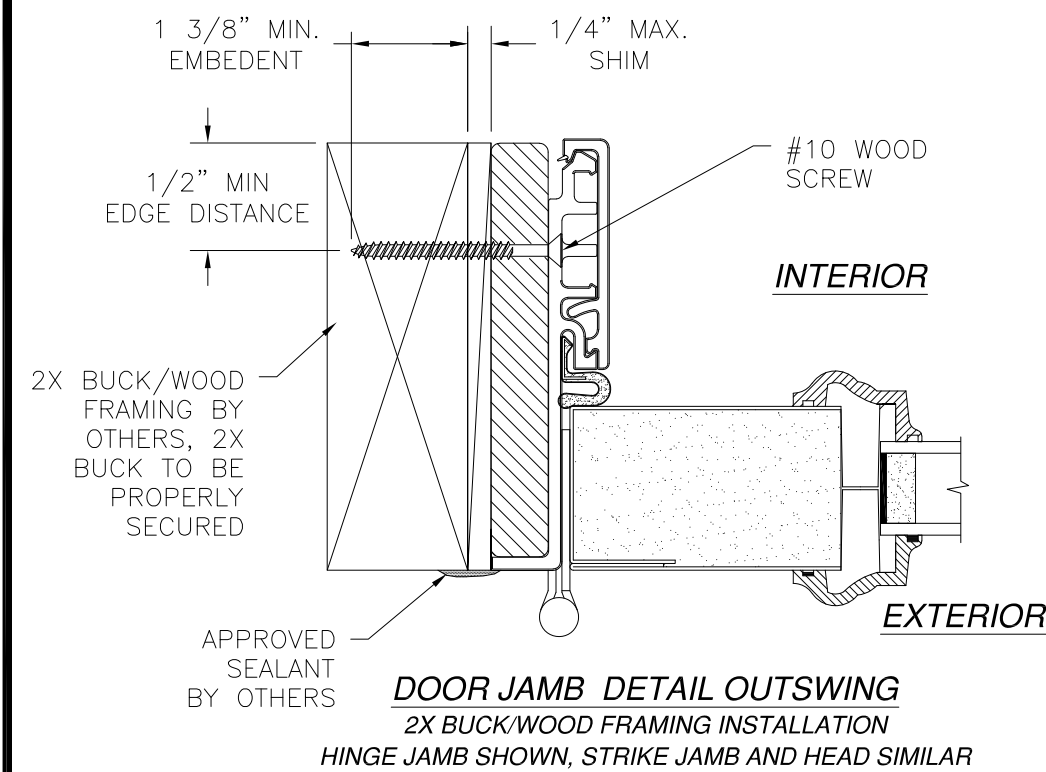
DRAWN: TJH	DWG NO. 08-00710	REV L
SCALE NTS	DATE 03/17/09	SHEET 10 OF 19

L. ROBERTO LOMAS P.E.
1432 WOODFORD RD LEWISVILLE, NC 27023
434-688-0609 rllomas@rlomaspe.com

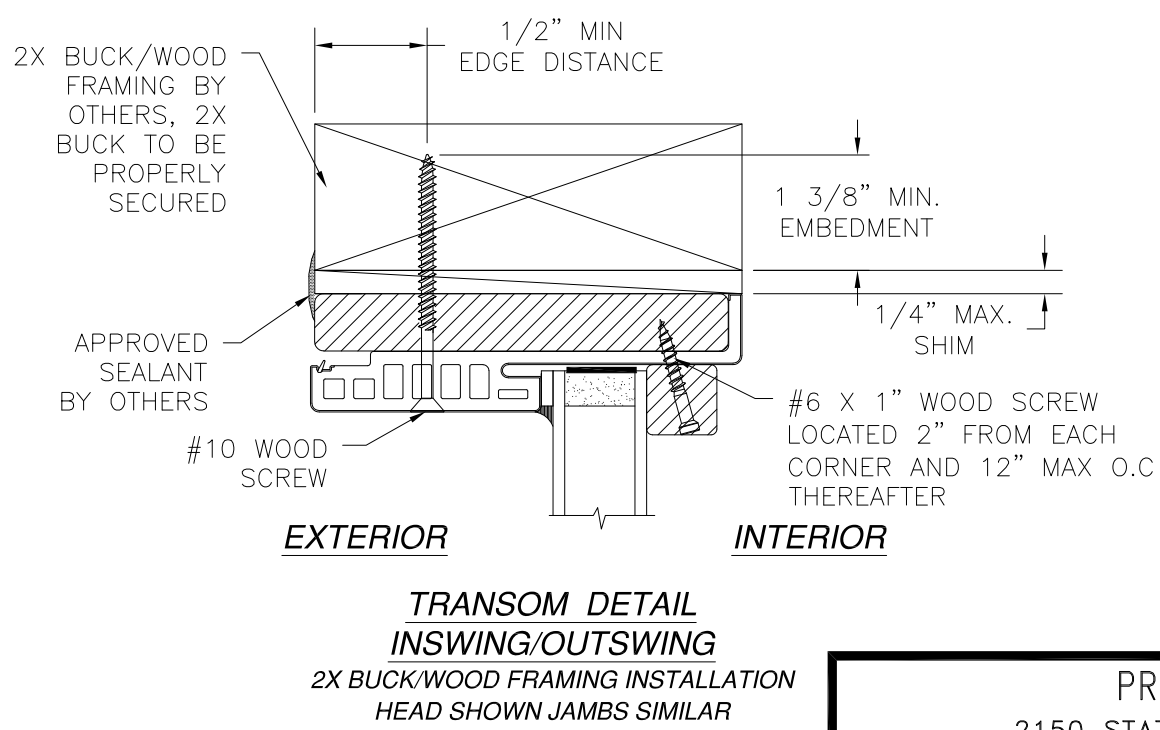
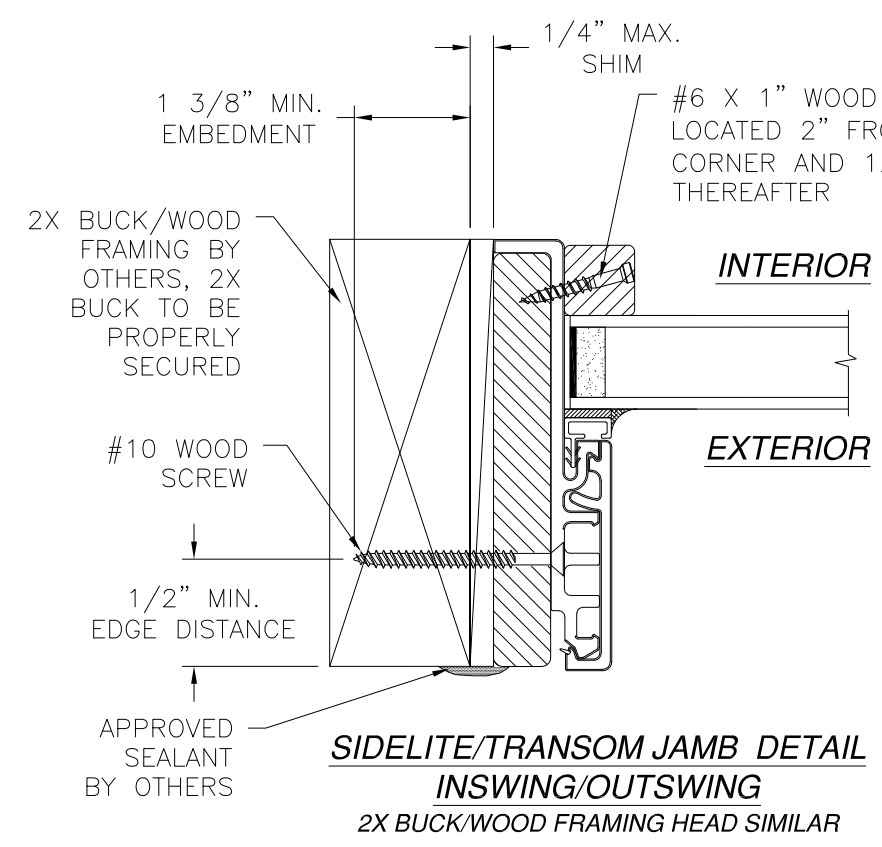


Luis R. Lomas P.E.
FL No.: 62514

REVISIONS			
REV	DESCRIPTION	DATE	APPROVED
L	ADDED COMPOSITE FRAME	09/08/2021	R.L.



- NOTES:**
1. INTERIOR AND EXTERIOR FINISHES, BY OTHERS, NOT SHOWN FOR CLARITY.
 2. PERIMETER AND JOINT SEALANT BY OTHERS TO BE DESIGNED IN ACCORDANCE WITH ASTM E2112



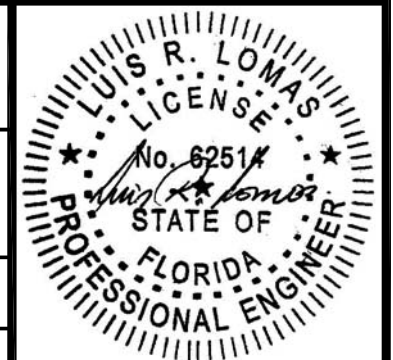
SIGNED: 09/08/2021

PROVIA, LLC.
2150 STATE ROUTE 39 WEST
SUGARCREEK, OH 44681

20GA. STEEL IS OR OS DOOR W/ AND W/OUT
20" DIRECT SET SIDELITES AND TRANSOM
INSTALLATION DETAILS W/FUSION FRAME

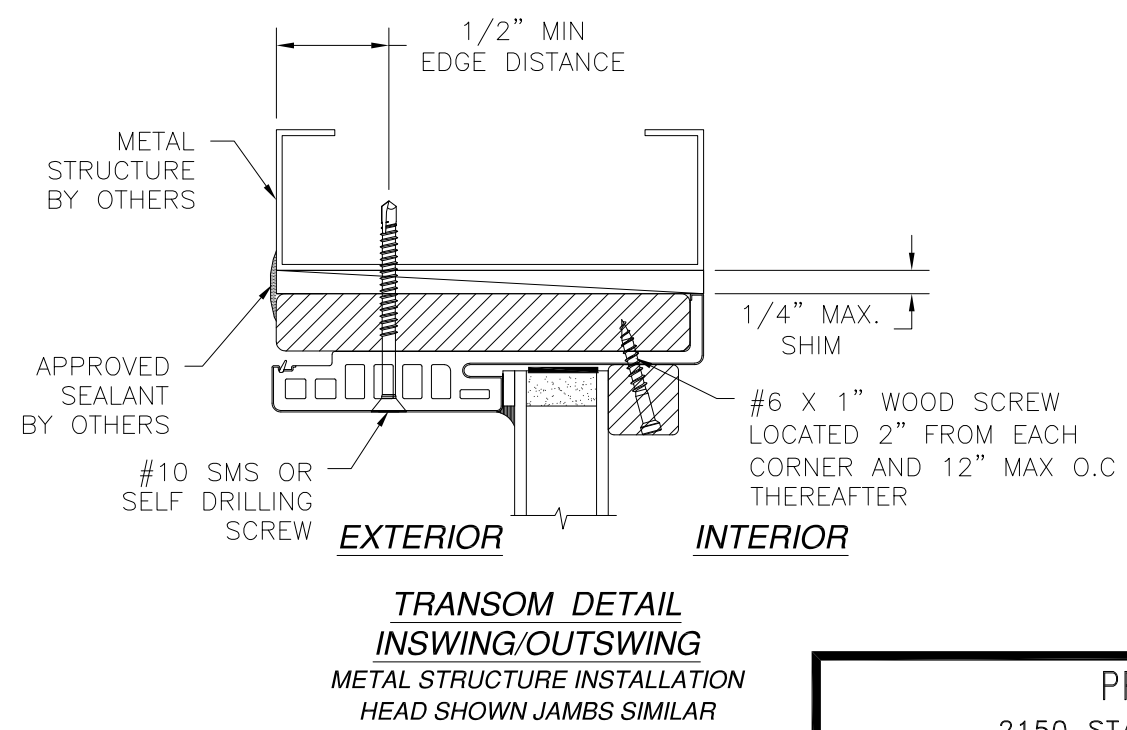
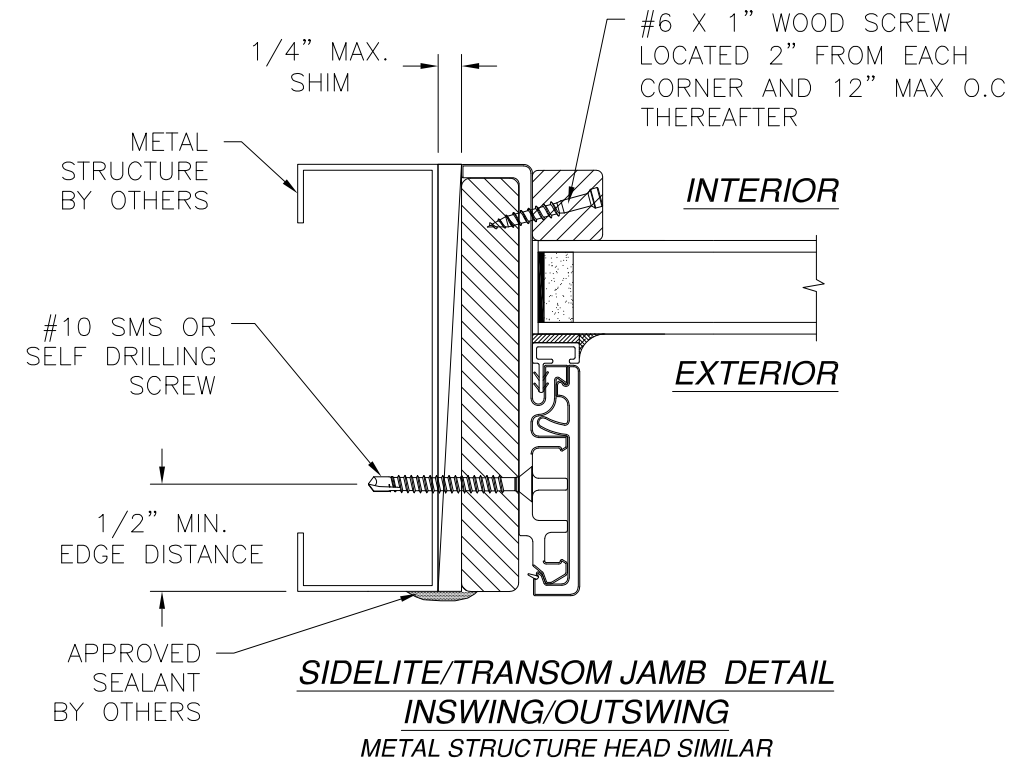
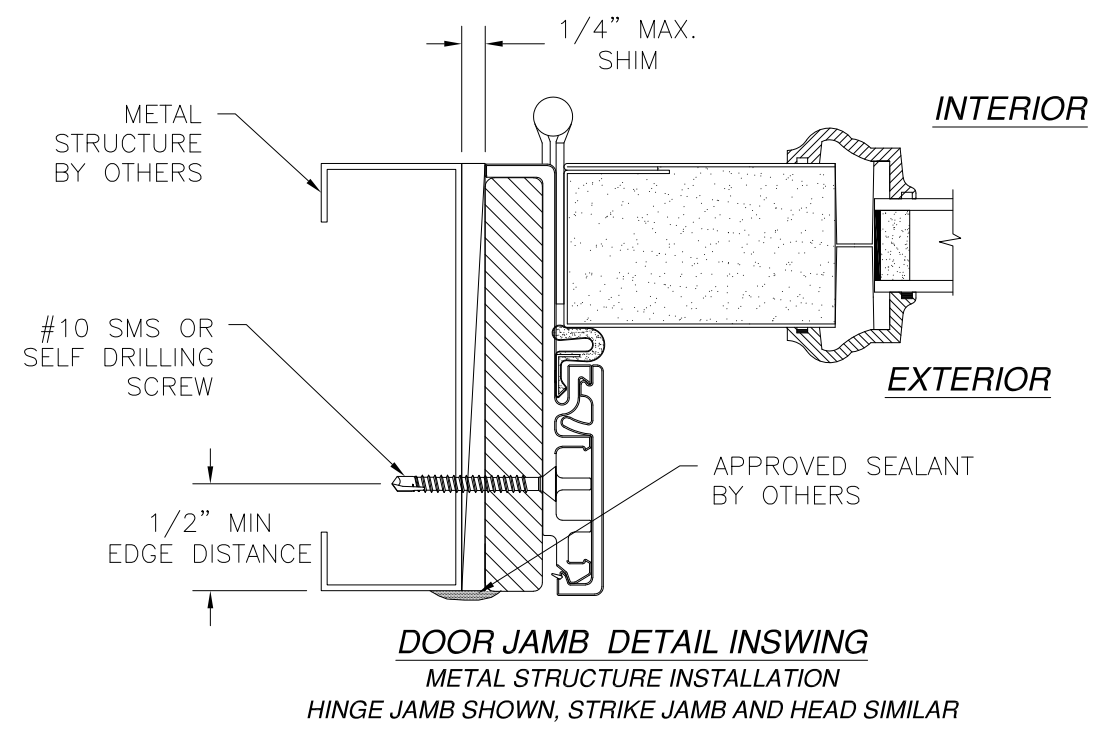
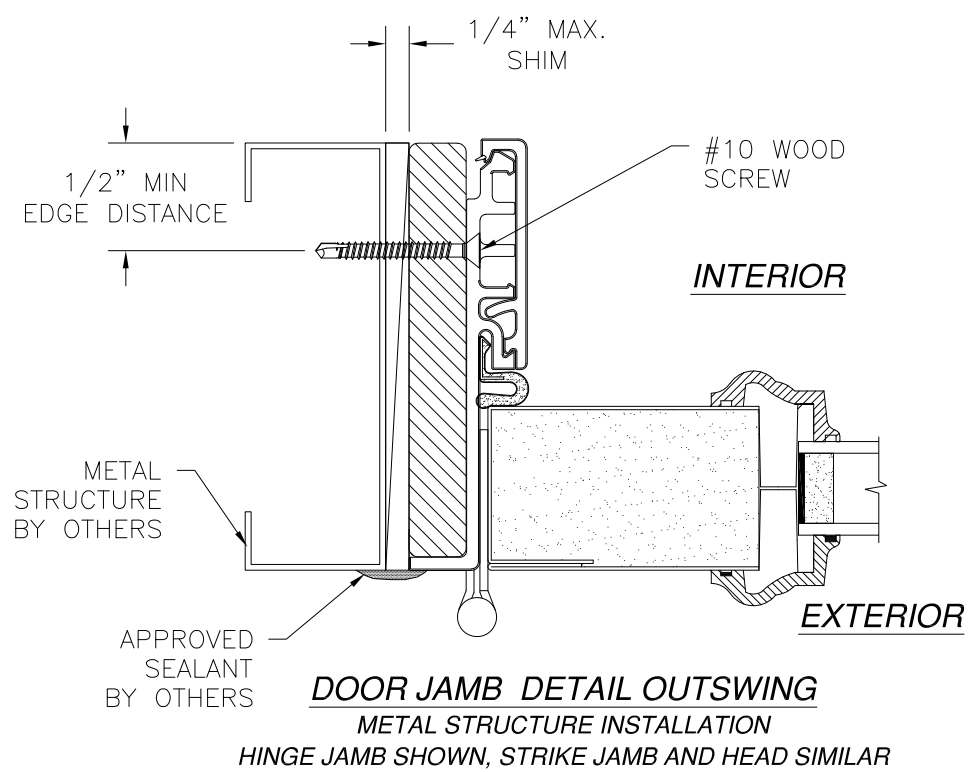
DRAWN: TJH	DWG NO. 08-00710	REV L
SCALE NTS	DATE 03/17/09	SHEET 11 OF 19

L. ROBERTO LOMAS P.E.
1432 WOODFORD RD LEWISVILLE, NC 27023
434-688-0609 rllomas@rlomaspe.com



Luis R. Lomas P.E.
FL No.: 62514

REVISIONS			
REV	DESCRIPTION	DATE	APPROVED
L	ADDED COMPOSITE FRAME	09/08/2021	R.L.



- NOTES:**
1. INTERIOR AND EXTERIOR FINISHES, BY OTHERS, NOT SHOWN FOR CLARITY.
 2. PERIMETER AND JOINT SEALANT BY OTHERS TO BE DESIGNED IN ACCORDANCE WITH ASTM E2112

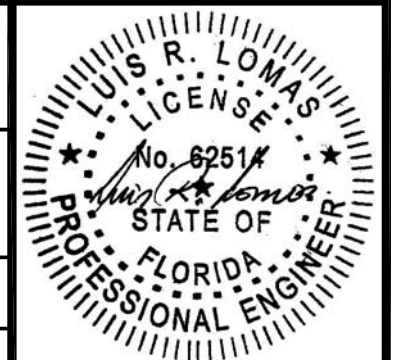
SIGNED: 09/08/2021

PROVIA, LLC.
2150 STATE ROUTE 39 WEST
SUGARCREEK, OH 44681

20GA. STEEL IS OR OS DOOR W/ AND W/OUT
20" DIRECT SET SIDELITES AND TRANSOM
INSTALLATION DETAILS W/FUSION FRAME

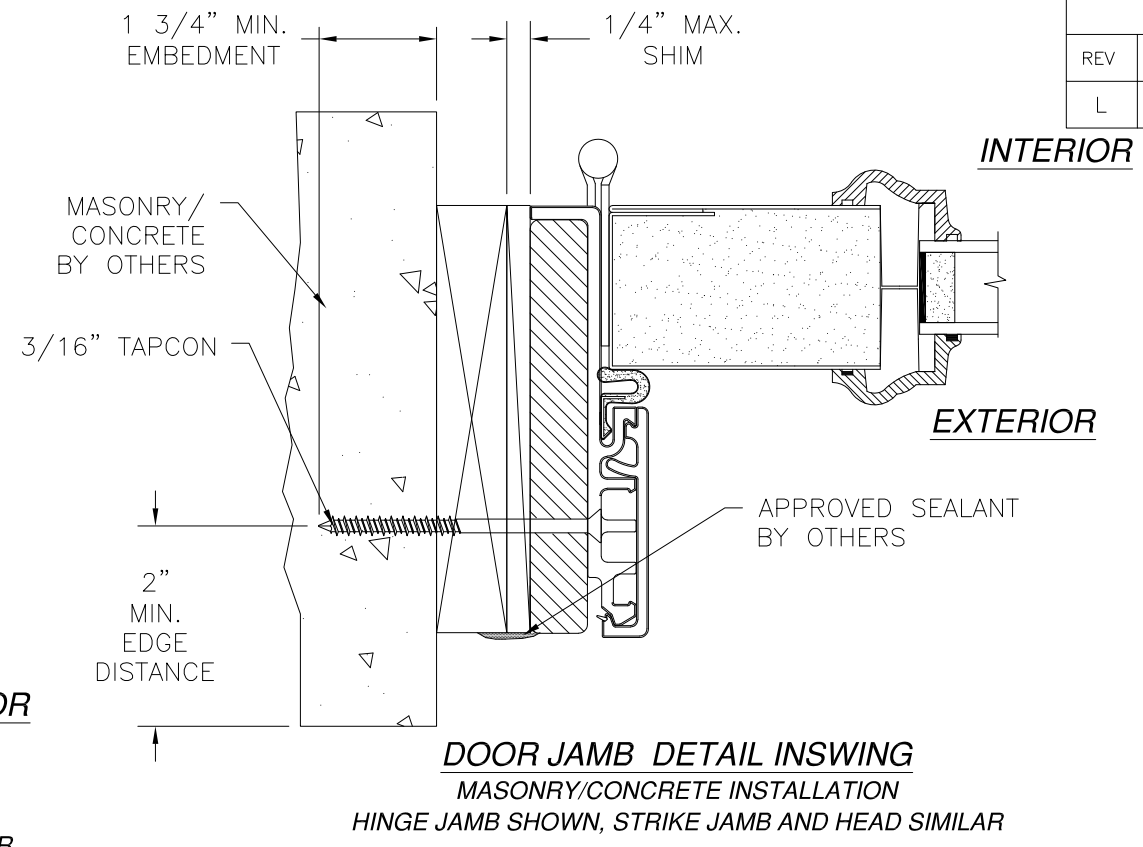
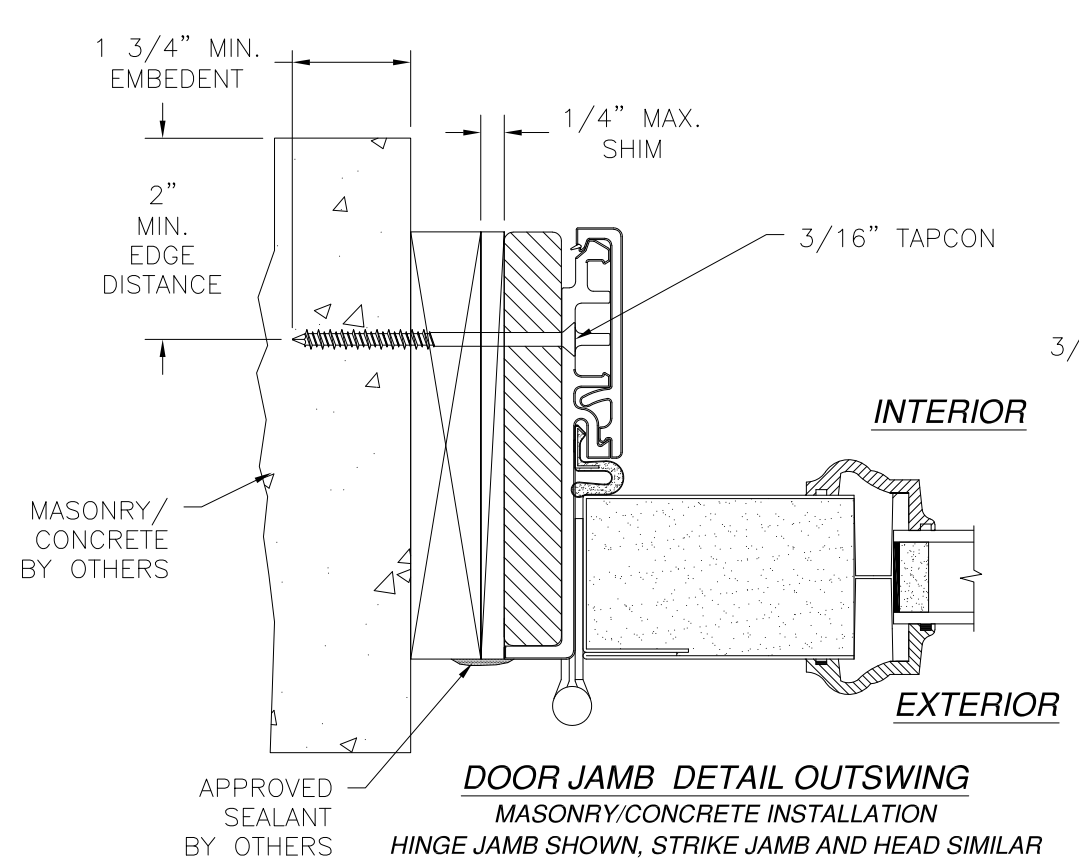
DRAWN: TJH	DWG NO. 08-00710	REV L
SCALE NTS	DATE 03/17/09	SHEET 12 OF 19

L. ROBERTO LOMAS P.E.
1432 WOODFORD RD LEWISVILLE, NC 27023
434-688-0609 rllomas@rlomaspe.com

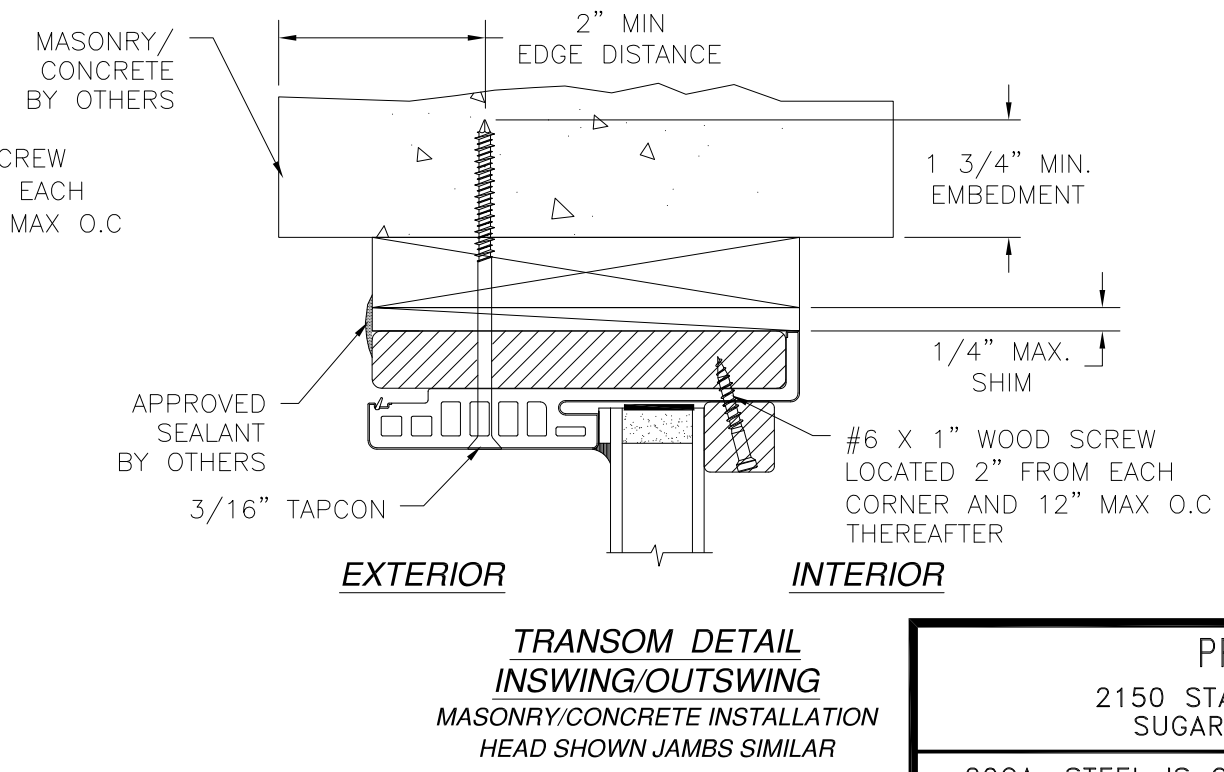
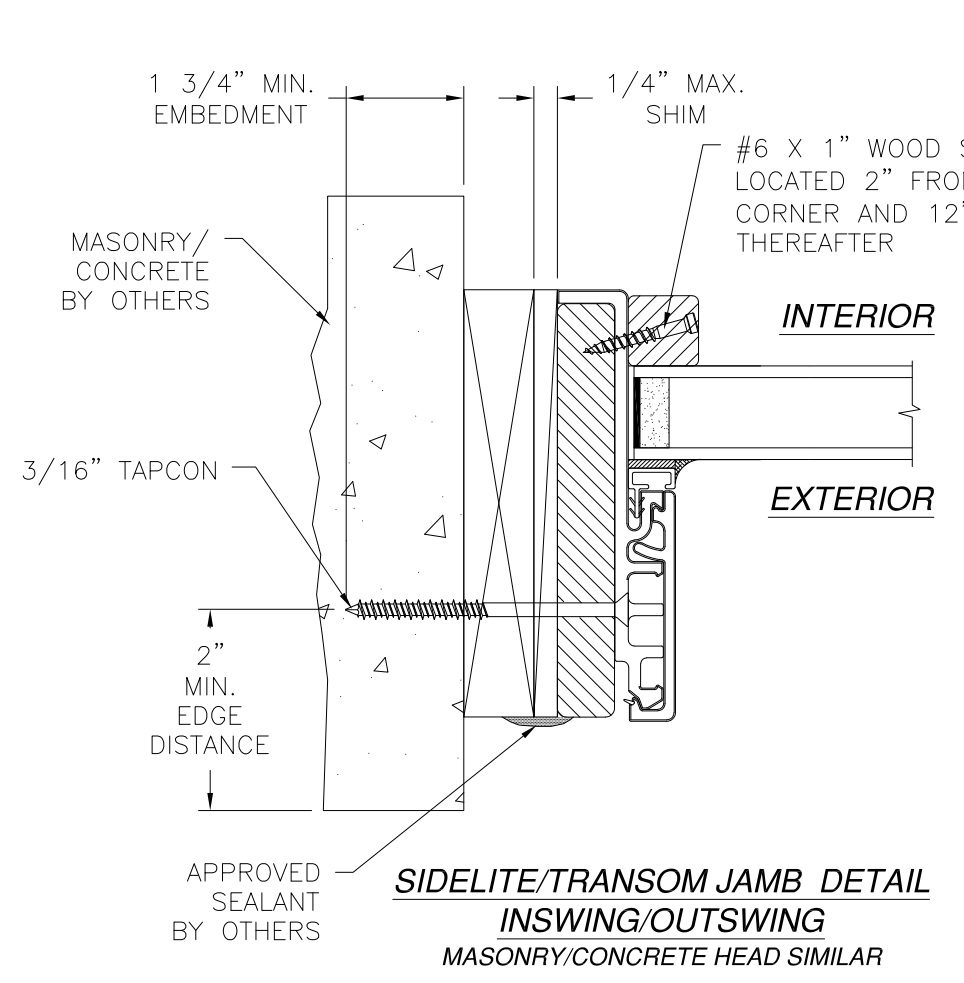


Luis R. Lomas P.E.
FL No.: 62514

REVISIONS			
REV	DESCRIPTION	DATE	APPROVED
L	ADDED COMPOSITE FRAME	09/08/2021	R.L.



- NOTES:**
1. INTERIOR AND EXTERIOR FINISHES, BY OTHERS, NOT SHOWN FOR CLARITY.
 2. PERIMETER AND JOINT SEALANT BY OTHERS TO BE DESIGNED IN ACCORDANCE WITH ASTM E2112



SIGNED: 09/08/2021

PROVIA, LLC.
2150 STATE ROUTE 39 WEST
SUGARCREEK, OH 44681

20GA. STEEL IS OR OS DOOR W/ AND W/OUT
20" DIRECT SET SIDELITES AND TRANSOM
INSTALLATION DETAILS W/FUSION FRAME

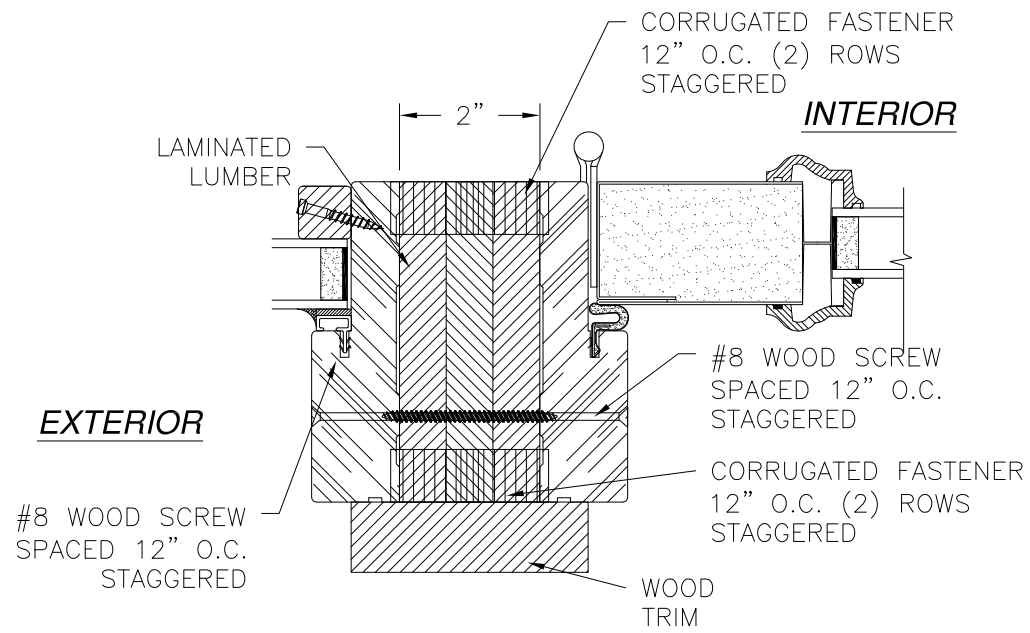
DRAWN: TJH	DWG NO. 08-00710	REV L
SCALE NTS	DATE 03/17/09	SHEET 13 OF 19

L. ROBERTO LOMAS P.E.
1432 WOODFORD RD LEWISVILLE, NC 27023
434-688-0609 rllomas@rlomaspe.com

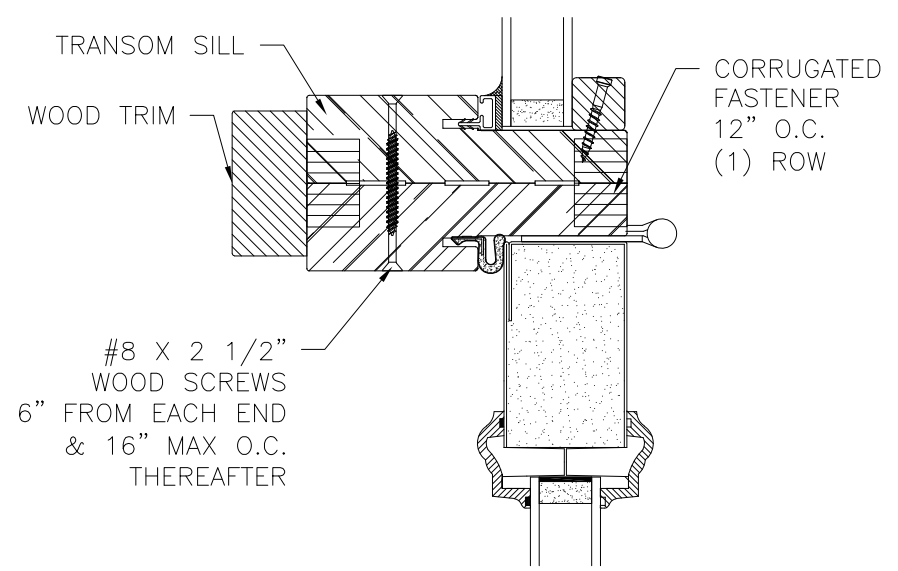


Luis R. Lomas P.E.
FL No.: 62514

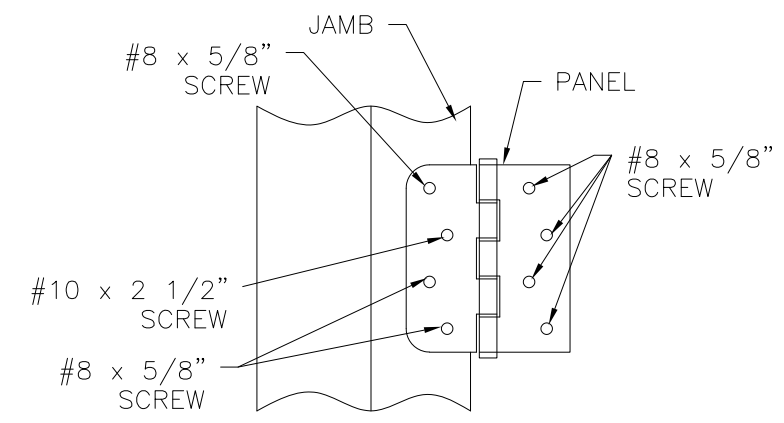
REVISIONS			
REV	DESCRIPTION	DATE	APPROVED
L	ADDED COMPOSITE FRAME	09/08/2021	R.L.



MULLION DETAIL
 INSWING SHOWN, OUTSWING SIMILAR
 STANDARD FRAME SHOWN,
 COMPOSITE AND FUSION FRAME SIMILAR



HORIZONTAL MULLION
 STANDARD FRAME SHOWN,
 COMPOSITE AND FUSION FRAME SIMILAR



HINGE INSTALLATION DETAIL

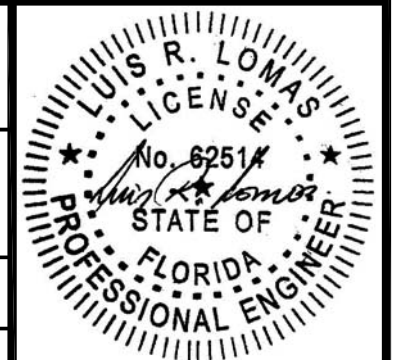
SIGNED: 09/08/2021

PROVIA, LLC.
 2150 STATE ROUTE 39 WEST
 SUGARCREEK, OH 44681

20GA. STEEL IS OR OS DOOR W/ AND W/OUT
 20" DIRECT SET SIDELITES AND TRANSOM
 COMPONENTS AND DETAILS

DRAWN: TJH	DWG NO. 08-00710	REV L
SCALE NTS	DATE 03/17/09	SHEET 14 OF 19

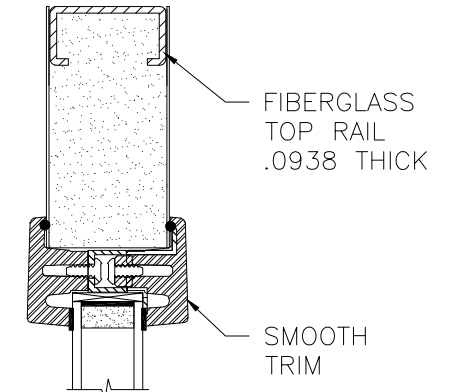
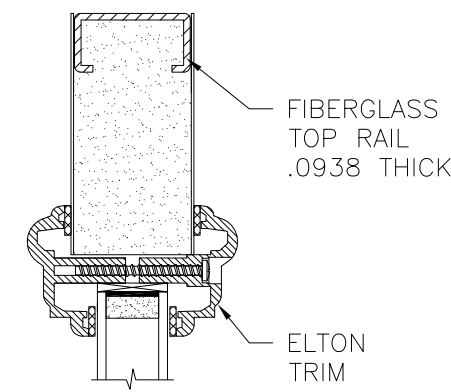
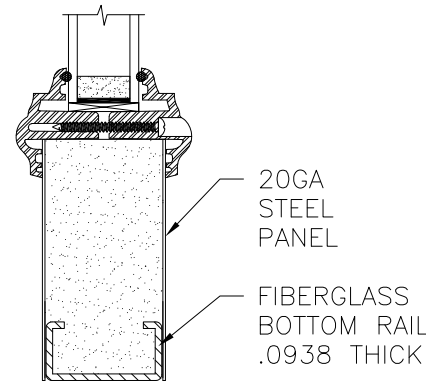
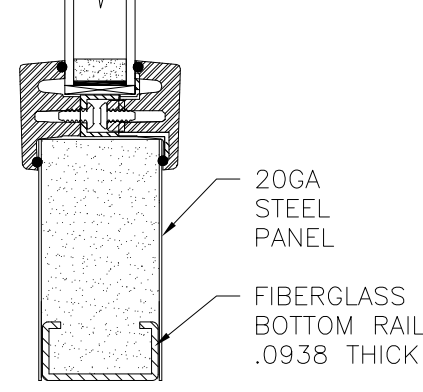
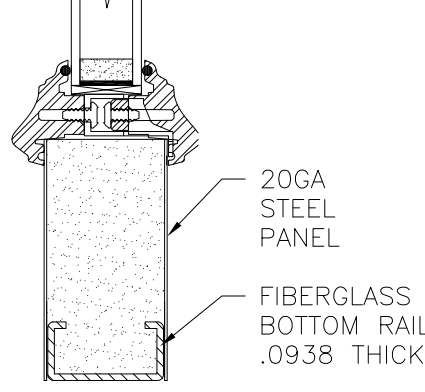
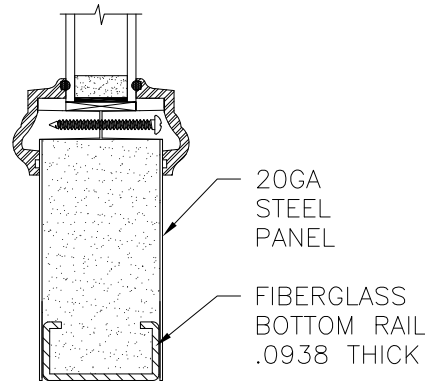
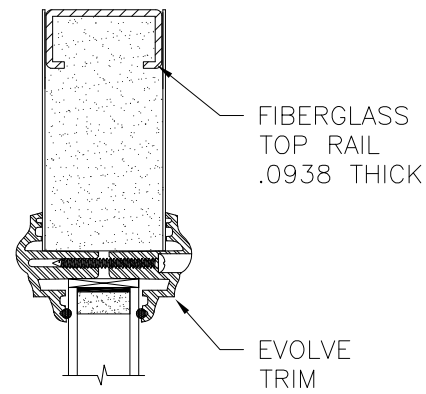
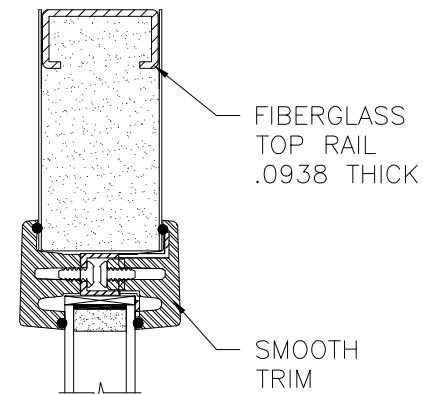
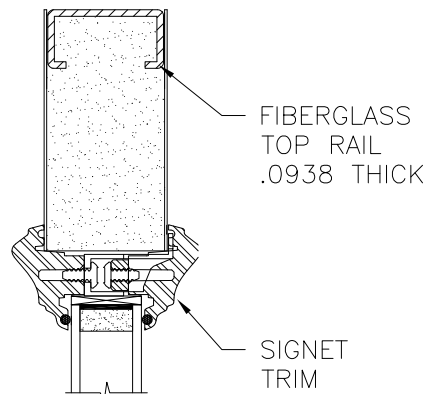
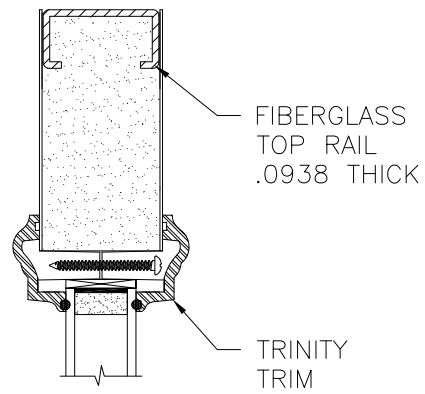
L. ROBERTO LOMAS P.E.
 1432 WOODFORD RD LEWISVILLE, NC 27023
 434-688-0609 rllomas@lrlomaspe.com



Luis R. Lomas P.E.
 FL No.: 62514

REVISIONS			
REV	DESCRIPTION	DATE	APPROVED
L	ADDED COMPOSITE FRAME	09/08/2021	R.L.

APPROVED SLABS AND TRIMS



OPTION 1
TRINITY TRIM

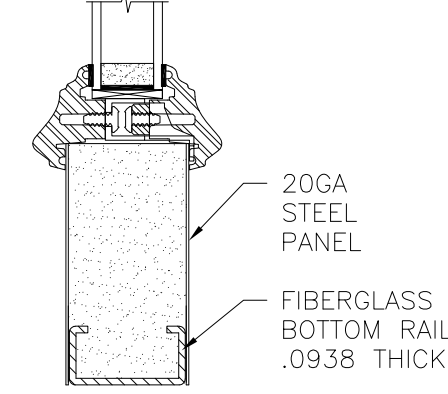
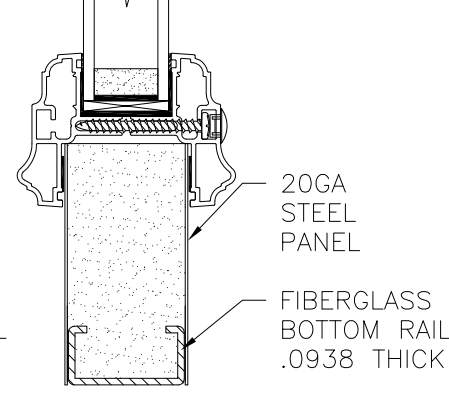
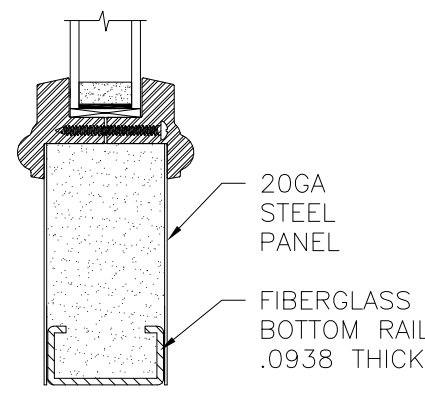
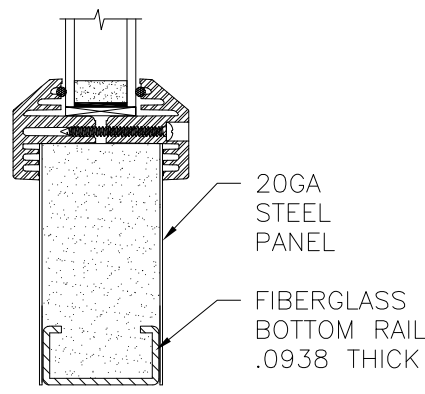
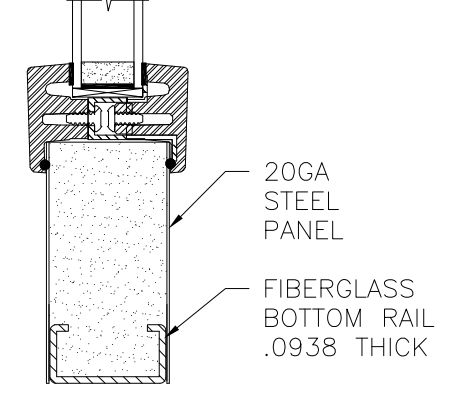
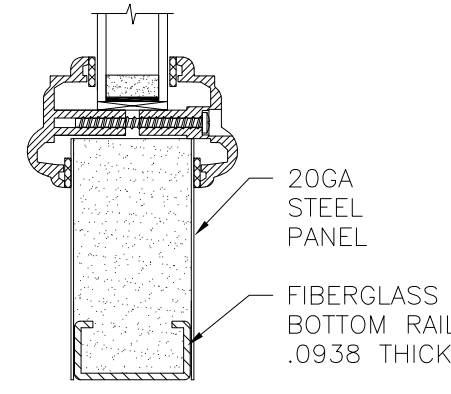
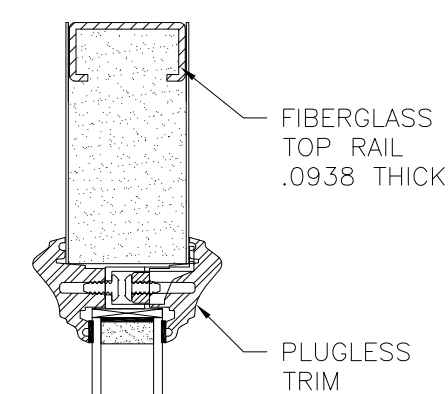
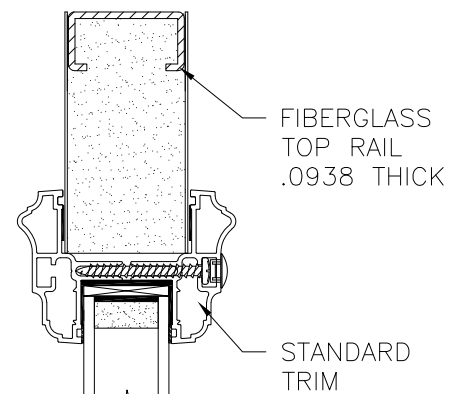
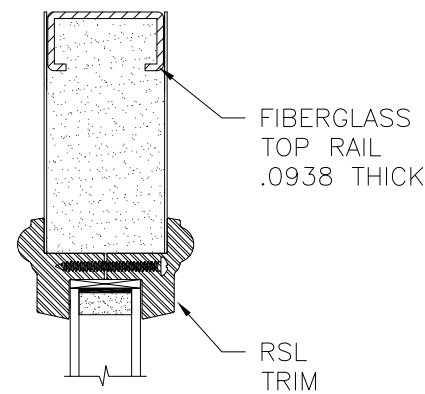
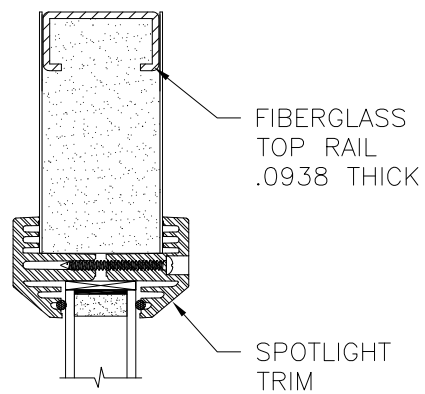
OPTION 2
SIGNET TRIM

OPTION 3
SMOOTH TRIM

OPTION 4
EVOLVE TRIM

OPTION 23
ELTON TRIM

OPTION 24
SMOOTH TRIM
W/TAPE



OPTION 5
SPOTLIGHT TRIM

OPTION 6
RSL TRIM

OPTION 7
STANDARD TRIM

OPTION 22
PLUGLESS TRIM
W/TAPE

SIGNED: 09/08/2021

PROVIA, LLC.

2150 STATE ROUTE 39 WEST
SUGARCREEK, OH 44681

20GA. STEEL IS OR OS DOOR W/ AND W/OUT
20" DIRECT SET SIDELITES AND TRANSOM
APPROVED SLABS AND TRIMS

DRAWN: TJH	DWG NO. 08-00710	REV L
SCALE NTS	DATE 03/17/09	SHEET 15 OF 19

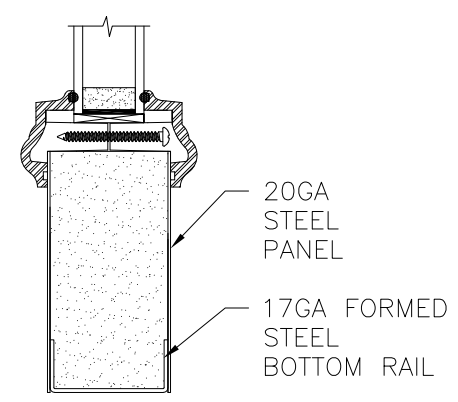
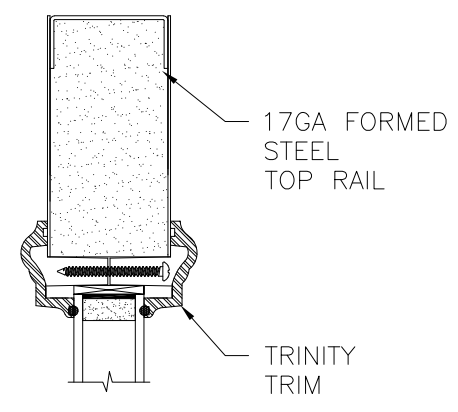
L. ROBERTO LOMAS P.E.
1432 WOODFORD RD LEWISVILLE, NC 27023
434-688-0609 rllomas@rlomaspe.com



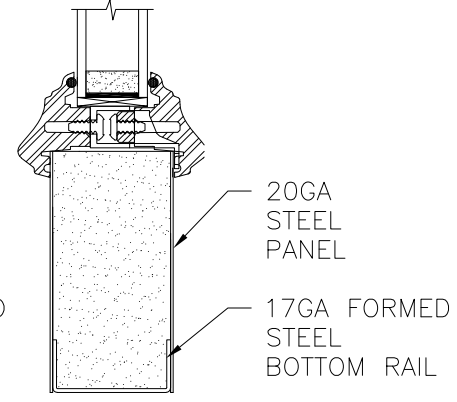
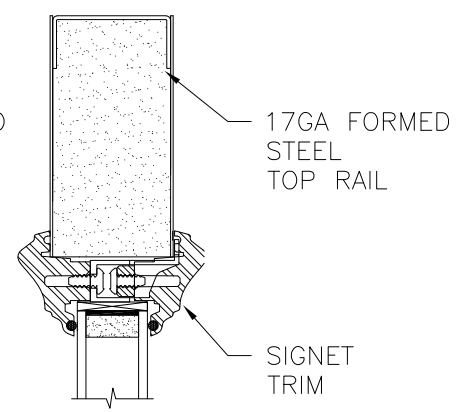
Luis R. Lomas P.E.
FL No.: 62514

REVISIONS			
REV	DESCRIPTION	DATE	APPROVED
L	ADDED COMPOSITE FRAME	09/08/2021	R.L.

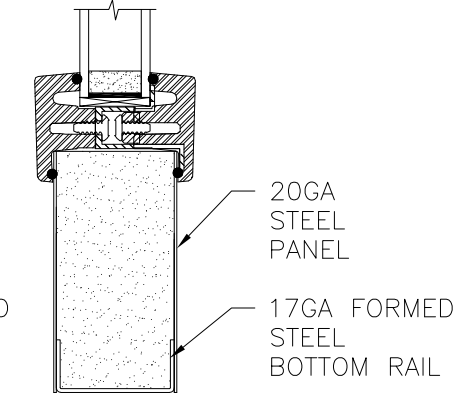
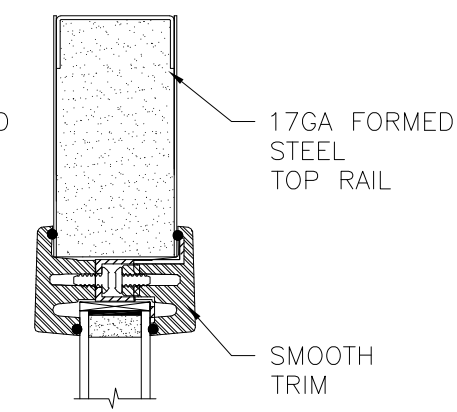
APPROVED SLABS AND TRIMS



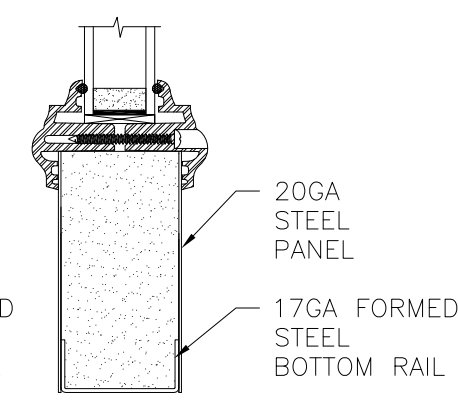
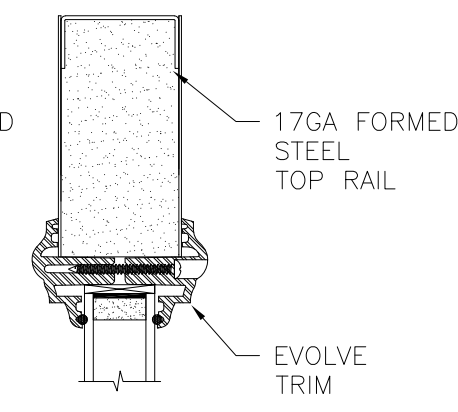
OPTION 8
TRINITY TRIM



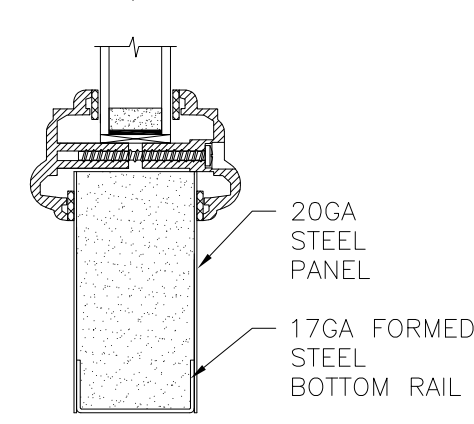
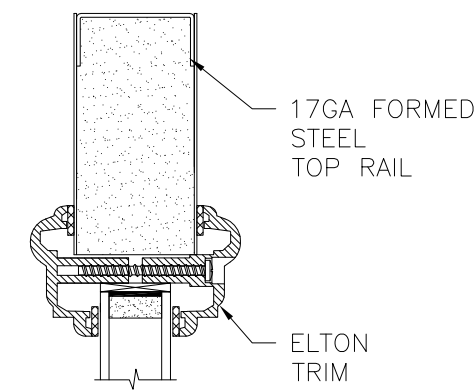
OPTION 9
SIGNET TRIM



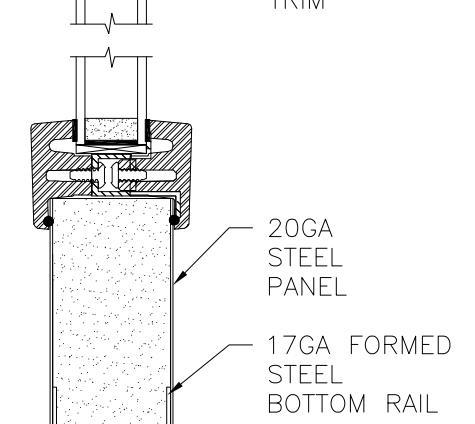
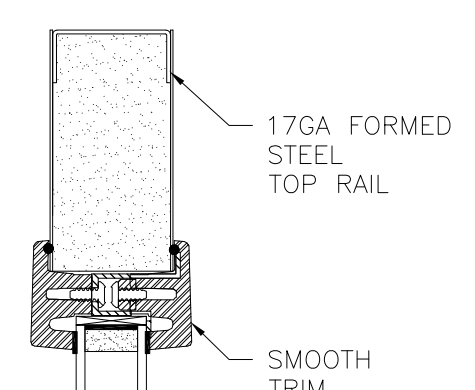
OPTION 10
SMOOTH TRIM



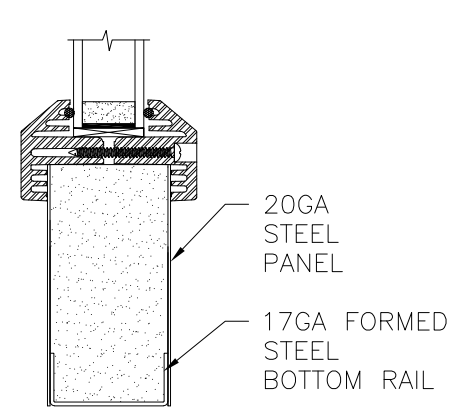
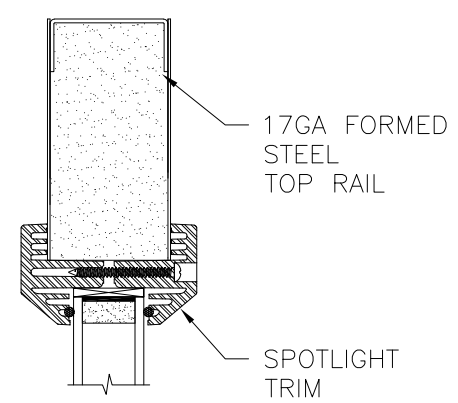
OPTION 11
EVOLVE TRIM



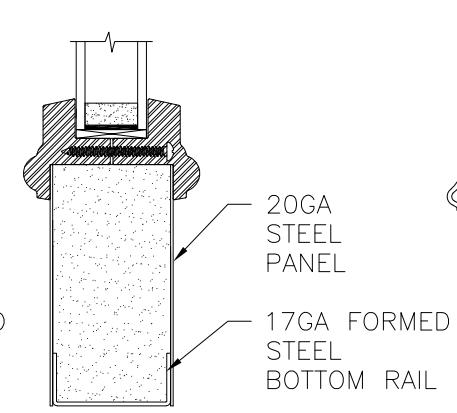
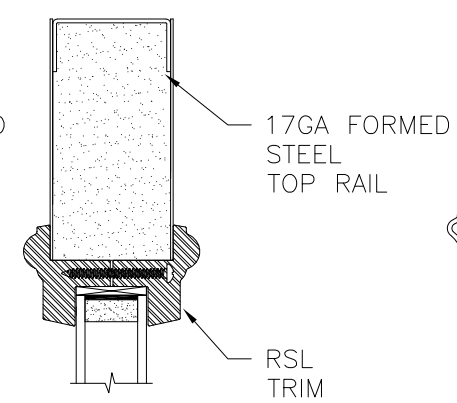
OPTION 26
ELTON TRIM



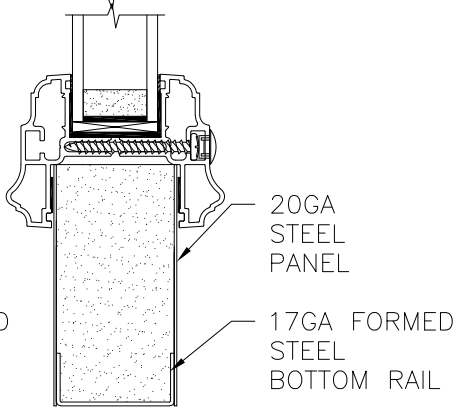
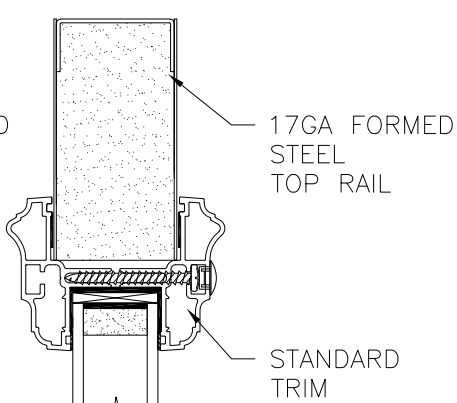
OPTION 27
SMOOTH TRIM
W/TAPE



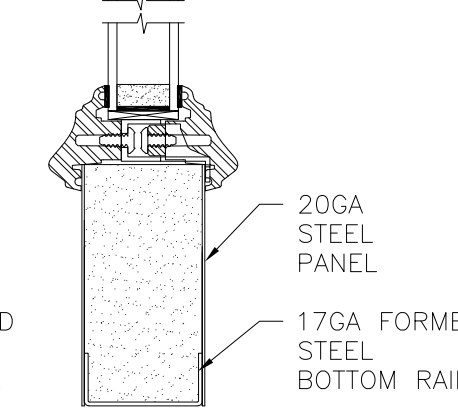
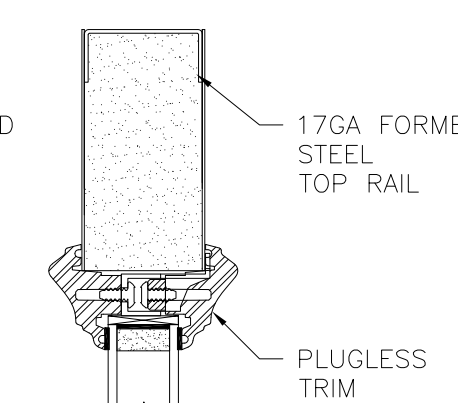
OPTION 12
SPOTLIGHT TRIM



OPTION 13
RSL TRIM



OPTION 14
STANDARD TRIM



OPTION 25
PLUGLESS TRIM
W/TAPE

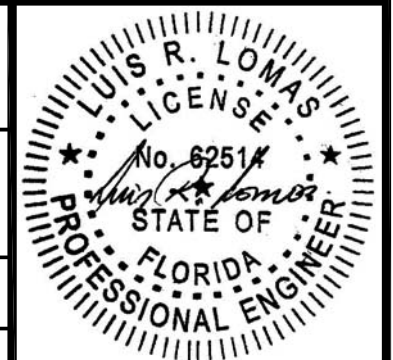
PROVIA, LLC.
2150 STATE ROUTE 39 WEST
SUGARCREEK, OH 44681

20GA. STEEL IS OR OS DOOR W/ AND W/OUT
20" DIRECT SET SIDELITES AND TRANSOM
APPROVED SLABS AND TRIMS

DRAWN: TJH	DWG NO. 08-00710	REV L
SCALE NTS	DATE 03/17/09	SHEET 16 OF 19

L. ROBERTO LOMAS P.E.
1432 WOODFORD RD LEWISVILLE, NC 27023
434-688-0609 rllomas@lrlomaspe.com

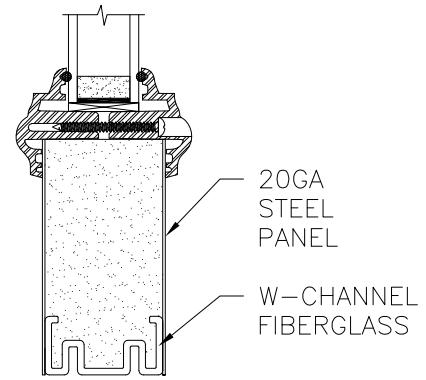
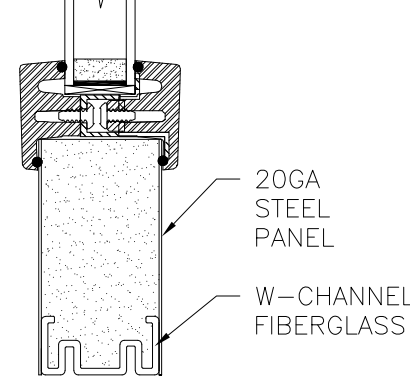
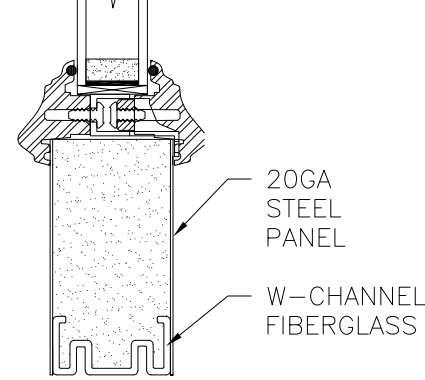
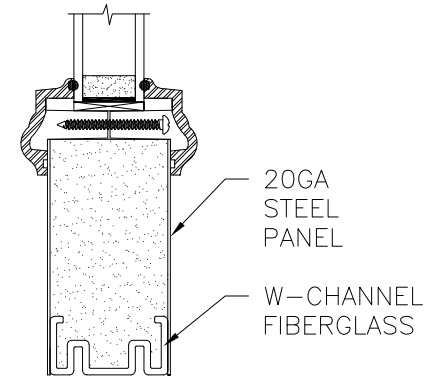
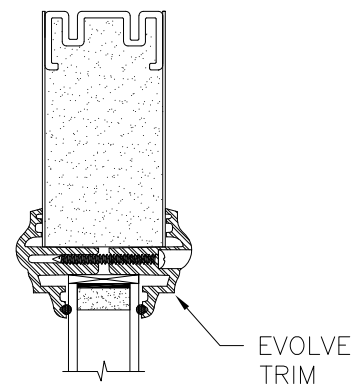
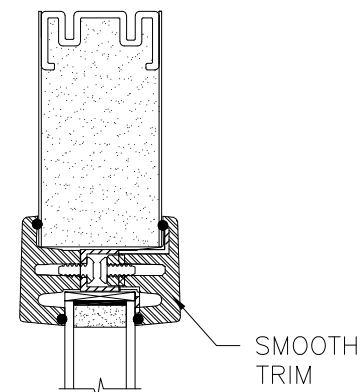
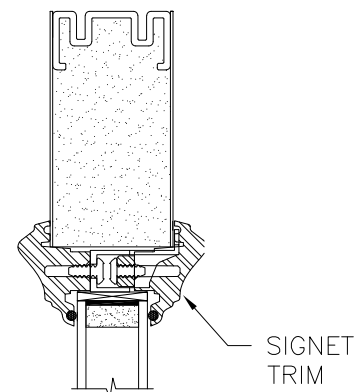
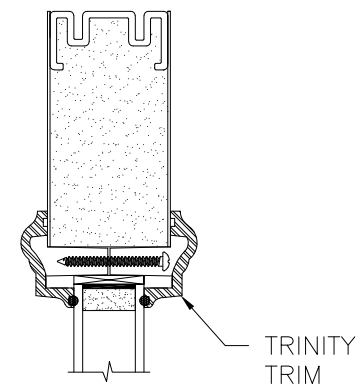
SIGNED: 09/08/2021



Luis R. Lomas P.E.
FL No.: 62514

REVISIONS			
REV	DESCRIPTION	DATE	APPROVED
L	ADDED COMPOSITE FRAME	09/08/2021	R.L.

APPROVED SLABS AND TRIMS

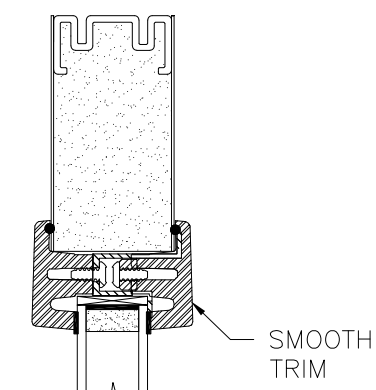
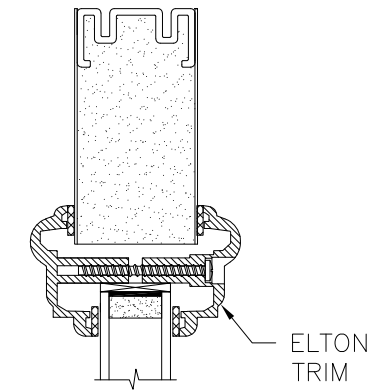


OPTION 15
TRINITY TRIM

OPTION 16
SIGNET TRIM

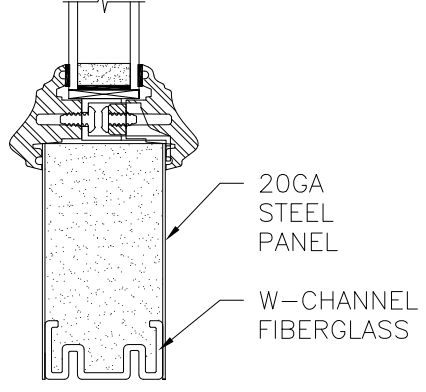
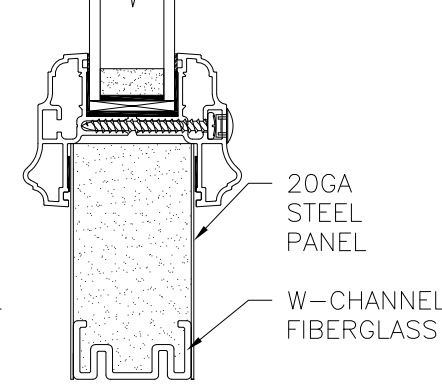
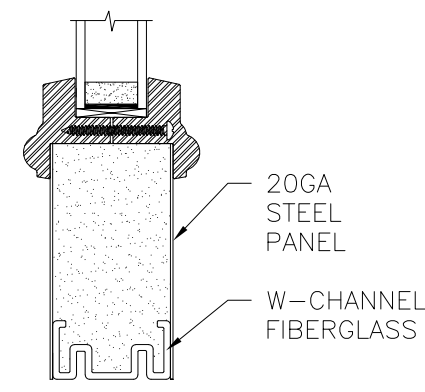
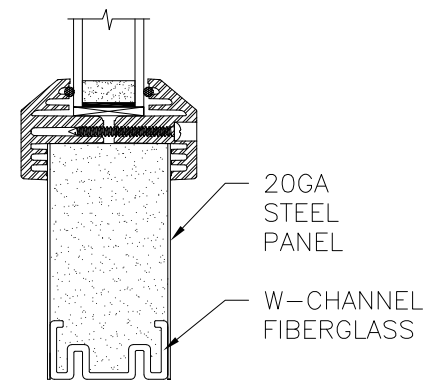
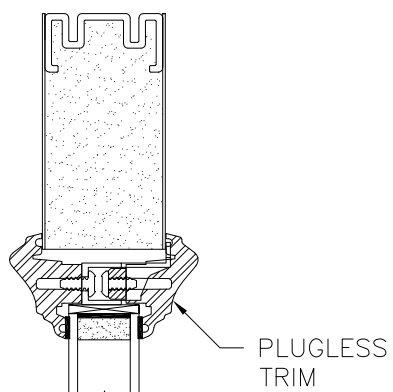
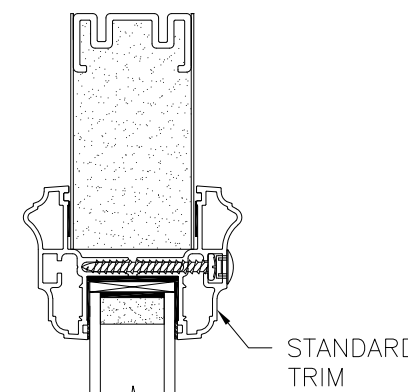
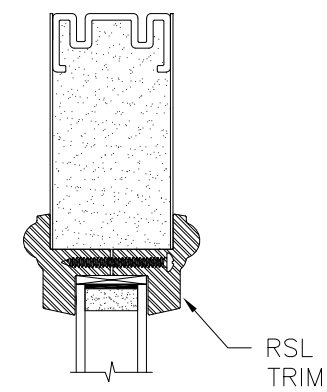
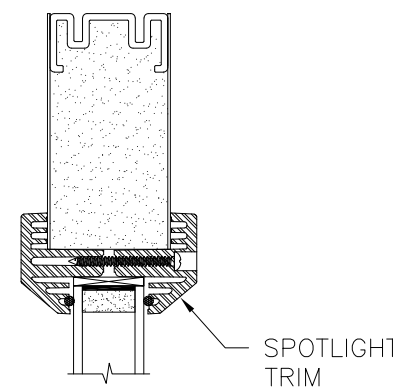
OPTION 17
SMOOTH TRIM

OPTION 18
EVOLVE TRIM



OPTION 29
ELTON TRIM

OPTION 30
SMOOTH TRIM
W/TAPE



OPTION 19
SPOTLIGHT TRIM

OPTION 20
RSL TRIM

OPTION 21
STANDARD TRIM

OPTION 28
PLUGLESS TRIM
W/TAPE

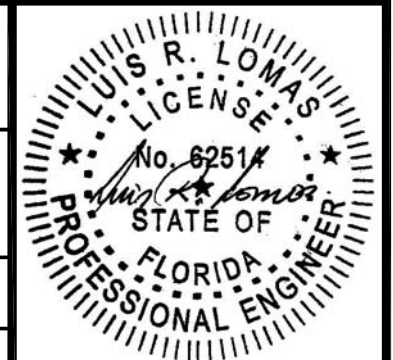
SIGNED: 09/08/2021

PROVIA, LLC.
2150 STATE ROUTE 39 WEST
SUGARCREEK, OH 44681

20GA. STEEL IS OR OS DOOR W/ AND W/OUT
20" DIRECT SET SIDELITES AND TRANSOM
APPROVED SLABS AND TRIMS

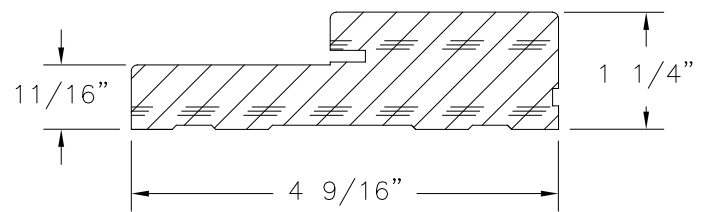
DRAWN: TJH	DWG NO. 08-00710	REV L
SCALE NTS	DATE 03/17/09	SHEET 17 OF 19

L. ROBERTO LOMAS P.E.
1432 WOODFORD RD LEWISVILLE, NC 27023
434-688-0609 rllomas@rlomaspe.com

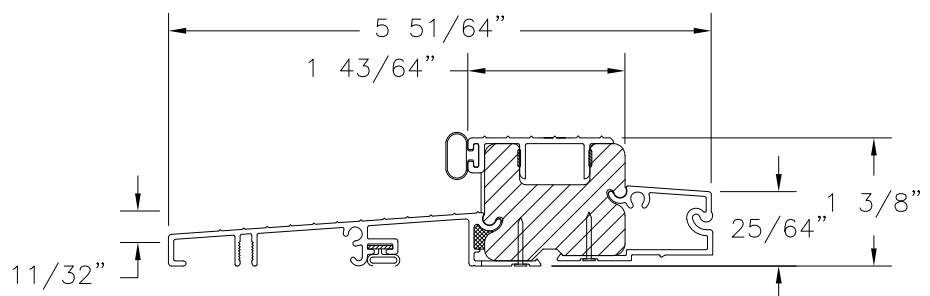


Luis R. Lomas P.E.
FL No.: 62514

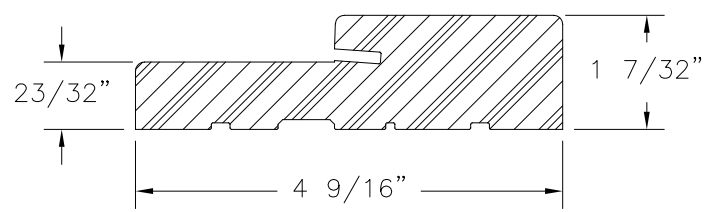
REVISIONS			
REV	DESCRIPTION	DATE	APPROVED
L	ADDED COMPOSITE FRAME	09/08/2021	R.L.



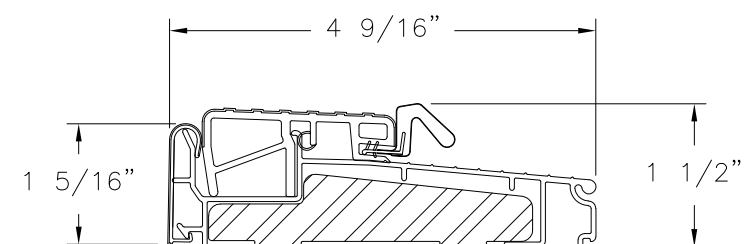
FRAME
WOOD G.46 MIN.



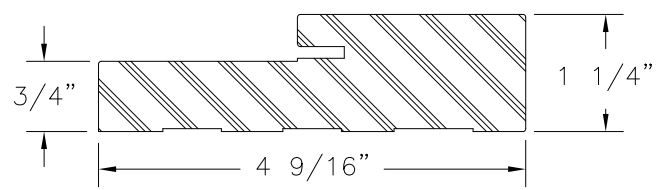
OUTSWING SILL



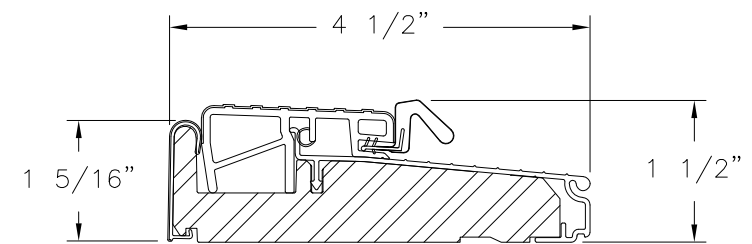
FRAMESAVER
COMPOSITE



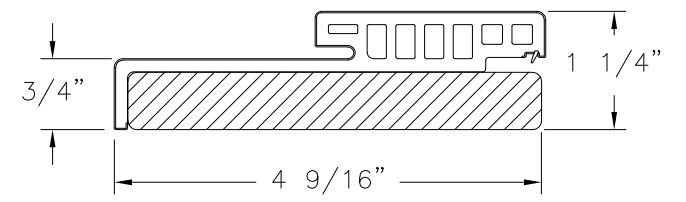
OUTSWING SILL ZOBL4565



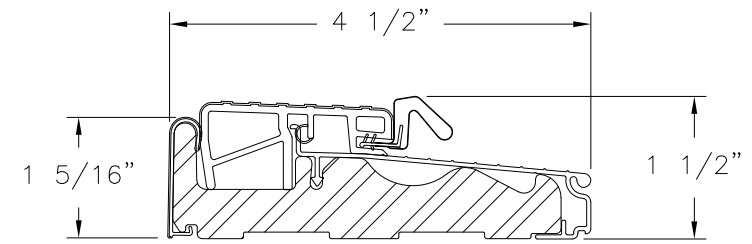
FRAME
COMPOSITE



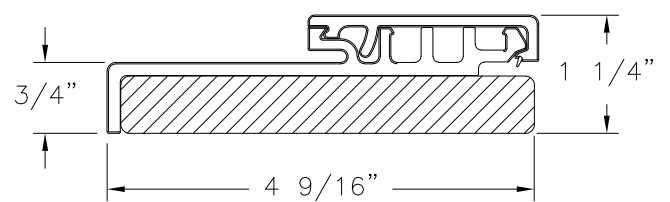
OUTSWING SILL ZOB4565F



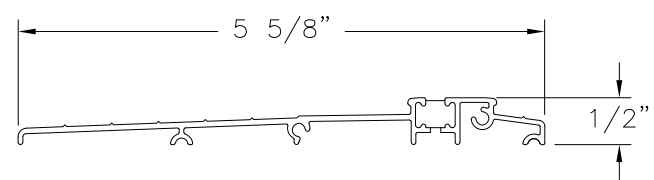
HYBRID HEAD
WOOD/COMPOSITE



OUTSWING SILL ZOBLH4565



HYBRID JAMB
WOOD/COMPOSITE



ADA THRESHOLD

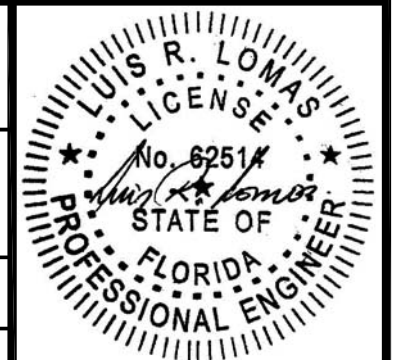
PROVIA, LLC.
2150 STATE ROUTE 39 WEST
SUGARCREEK, OH 44681

20GA. STEEL IS OR OS DOOR W/ AND W/OUT
20" DIRECT SET SIDELITES AND TRANSOM
COMPONENTS

DRAWN: TJH	DWG NO. 08-00710	REV L
SCALE NTS	DATE 03/17/09	SHEET 18 OF 19

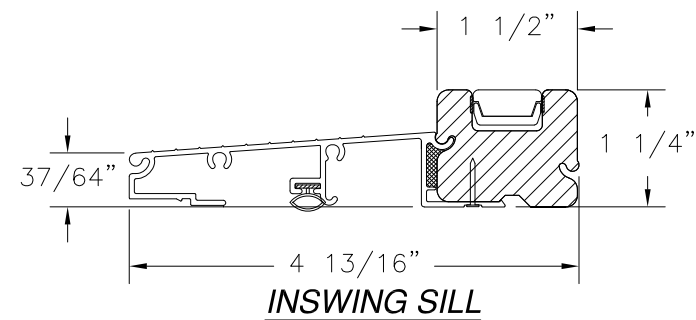
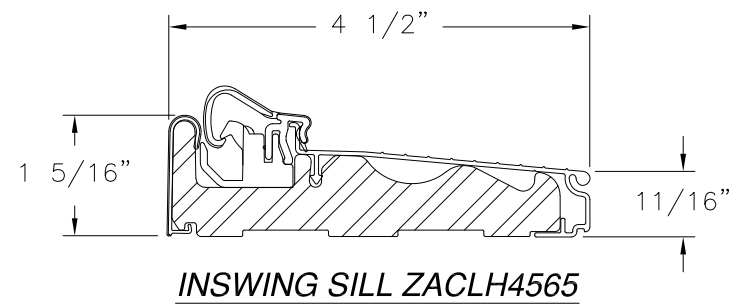
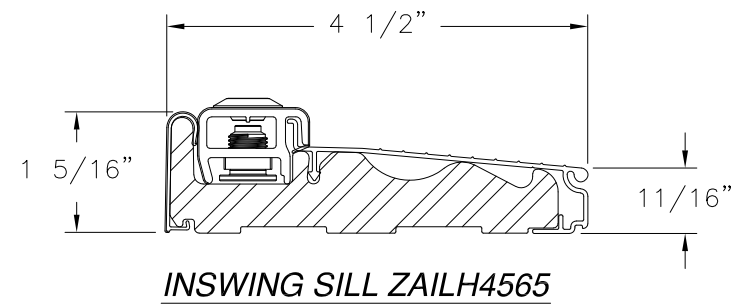
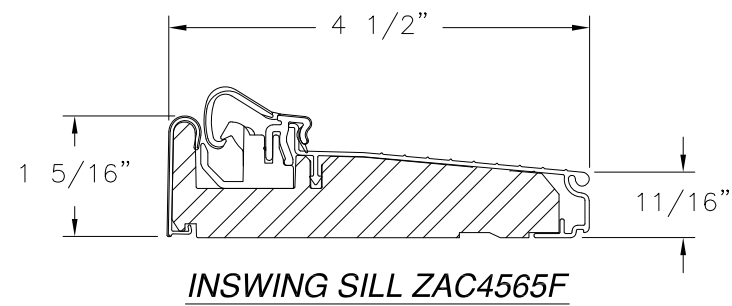
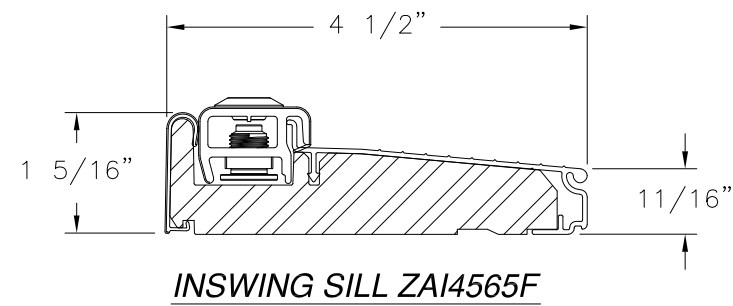
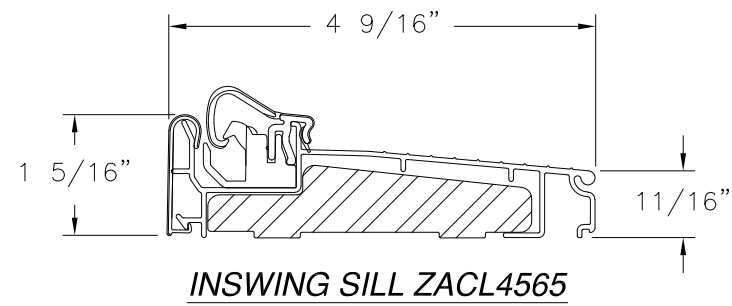
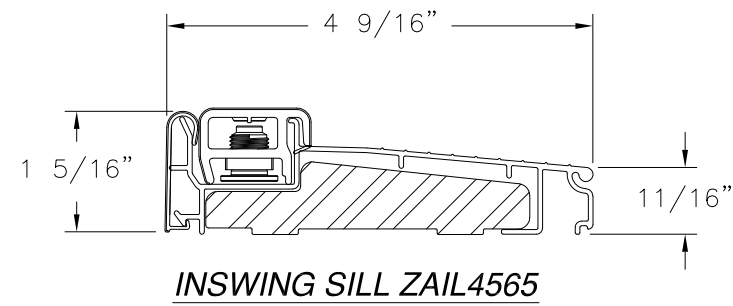
L. ROBERTO LOMAS P.E.
1432 WOODFORD RD LEWISVILLE, NC 27023
434-688-0609 rllomas@rlomaspe.com

SIGNED: 09/08/2021



Luis R. Lomas P.E.
FL No.: 62514

REVISIONS			
REV	DESCRIPTION	DATE	APPROVED
L	ADDED COMPOSITE FRAME	09/08/2021	R.L.



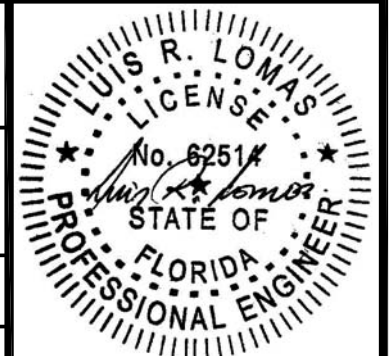
PROVIA, LLC.
2150 STATE ROUTE 39 WEST
SUGARCREEK, OH 44681

20GA. STEEL IS OR OS DOOR W/ AND W/OUT
20" DIRECT SET SIDELITES AND TRANSOM
COMPONENTS

DRAWN: TJH	DWG NO. 08-00710	REV L
SCALE NTS	DATE 03/17/09	SHEET 19 OF 19

L. ROBERTO LOMAS P.E.
1432 WOODFORD RD LEWISVILLE, NC 27023
434-688-0609 rllomas@rlomaspe.com

SIGNED: 09/08/2021



Luis R. Lomas P.E.
FL No.: 62514