

REVISIONS			
REV	DESCRIPTION	DATE	APPROVED
L	ADDED GLAZED FIR TRIMS	08/25/2021	R.L.

NOTES:

- 1) THE PRODUCT SHOWN HEREIN IS DESIGNED AND MANUFACTURED TO COMPLY WITH REQUIREMENTS OF FLORIDA BUILDING CODE.
- 2) WOOD FRAMING AND MASONRY OPENING TO BE DESIGNED AND ANCHORED TO PROPERLY TRANSFER ALL LOADS TO STRUCTURE. WOOD FRAMING AND MASONRY OPENING IS THE RESPONSIBILITY OF THE ARCHITECT OR ENGINEER OF RECORD.
- 3) APPROVED IMPACT PROTECTIVE SYSTEM IS REQUIRED FOR THIS PRODUCT IN WIND BORNE DEBRIS REGIONS.
- 4) UNITS MUST BE GLAZED PER ASTM E1300, WITH SAFETY GLAZING.
- 5) ALLOWABLE STRESS INCREASE OF 1/3 WAS NOT USED IN THE DESIGN OF THE PRODUCT SHOWN HEREIN. WIND LOAD DURATION FACTOR Cd=1.6 WAS USED FOR WOOD ANCHOR CALCULATIONS.
- 6) SHIM AS REQUIRED AT EACH INSTALLATION ANCHOR WITH LOAD BEARING SHIM. SHIM WHERE SPACE OF 1/16" OR GREATER OCCURS. MAXIMUM ALLOWABLE SHIM STACK TO BE 1/4".
- 7) FOR ANCHORING INTO 2X BUCK OR WOOD FRAMING USE #10 WOOD SCREW OF SUFFICIENT LENGTH TO ACHIEVE A 1 3/8" MINIMUM EMBEDMENT INTO SUBSTRATE. LOCATE ANCHORS AS SHOWN IN ANCHORING LAYOUT AND INSTALLATION DETAILS.
- 8) FOR ANCHORING INTO MASONRY/CONCRETE USE 3/16" TAPCON OF SUFFICIENT LENGTH TO ACHIEVE A 1 3/4" MINIMUM EMBEDMENT INTO SUBSTRATE WITH 2" MINIMUM EDGE DISTANCE. LOCATE ANCHORS AS SHOWN IN ANCHORING LAYOUT AND INSTALLATION DETAILS.
- 9) FOR ANCHORING INTO METAL STRUCTURE USE #10 SMS OR SELF DRILLING SCREW WITH SUFFICIENT LENGTH TO ACHIEVE 3 THREADS MINIMUM BEYOND STRUCTURE INTERIOR WALL. LOCATE ANCHORS AS SHOWN IN ELEVATIONS AND INSTALLATION DETAILS.
- 10) ALL FASTENERS TO BE CORROSION RESISTANT.
- 11) INSTALLATION ANCHOR CAPACITIES FOR PRODUCTS HEREIN ARE BASED ON SUBSTRATE MATERIAL WITH THE FOLLOWING PROPERTIES:
 - A. WOOD – G=0.42 MINIMUM SPECIFIC GRAVITY
 - B. CONCRETE – 3,000PSI MINIMUM COMPRESSIVE STRENGTH.
 - C. MASONRY – GROUT FILLED STRENGTH CONFORMANCE TO ASTM C-90, GRADE N, TYPE 1 (OR GREATER).
 - D. METAL STRUCTURE – STEEL 18GA (.048") FY=33KSI/FU=52KSI

- 12) FRAME MATERIAL: WOOD WITH G .46 MINIMUM SPECIFIC GRAVITY OR FRAMESAVER OR FUSION FRAME.
- 13) DOOR PANEL MATERIAL: .080" THICK FIBERGLASS WITH WOOD TOP RAIL AND COMPOSITE BOTTOM RAIL.
- 14) SIDELITE SASH MATERIAL: .080" FIBERGLASS WITH WOOD TOP AND BOTTOM RAILS.
- 15) MAXIMUM DOOR PANEL SIZE = 35 3/4" x 83".
- 16) MAXIMUM SIDELITE SASH SIZE = 13 7/8" x 83".
- 17) UNITS MAY BE INSTALLED WITH EITHER SCHLAGE F-SERIES DOOR KNOB AND B-SERIES OR F-SERIES DEADBOLT OR EMTEK RESIDENTIAL GRADE DOOR HANDLE ASSEMBLY OR MULTI-POINT LOCK HANDLE ASSEMBLY BY TRILENNIUM, SEE HARDWARE SCHEDULE SHEET 3 FOR APPROVED HARDWARE.

TABLE OF CONTENTS	
SHEET NO.	DESCRIPTION
1	NOTES
2 – 3	ELEVATIONS
4	INSWING/OUTSWING ADDITIONAL CONFIGURATIONS
5 – 7	ANCHORING LAYOUTS
8 – 14	INSTALLATION DETAILS
15 – 19	COMPONENTS AND DETAILS

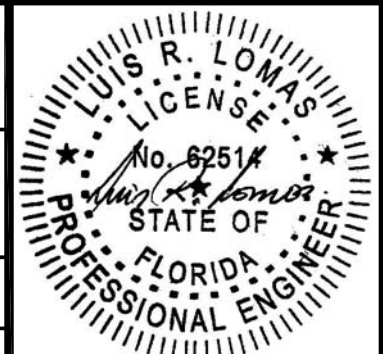
PROVIA, LLC.
2150 STATE ROUTE 39 WEST
SUGARCREEK, OH 44681

SIGNET IS/OS GLAZED FIBERGLASS DOOR
W/ AND W/OUT SIDELITES AND TRANSOM
NOTES

DRAWN: TJH	DWG NO. 08-00711	REV L
SCALE NTS	DATE 03/30/09	SHEET 1 OF 19

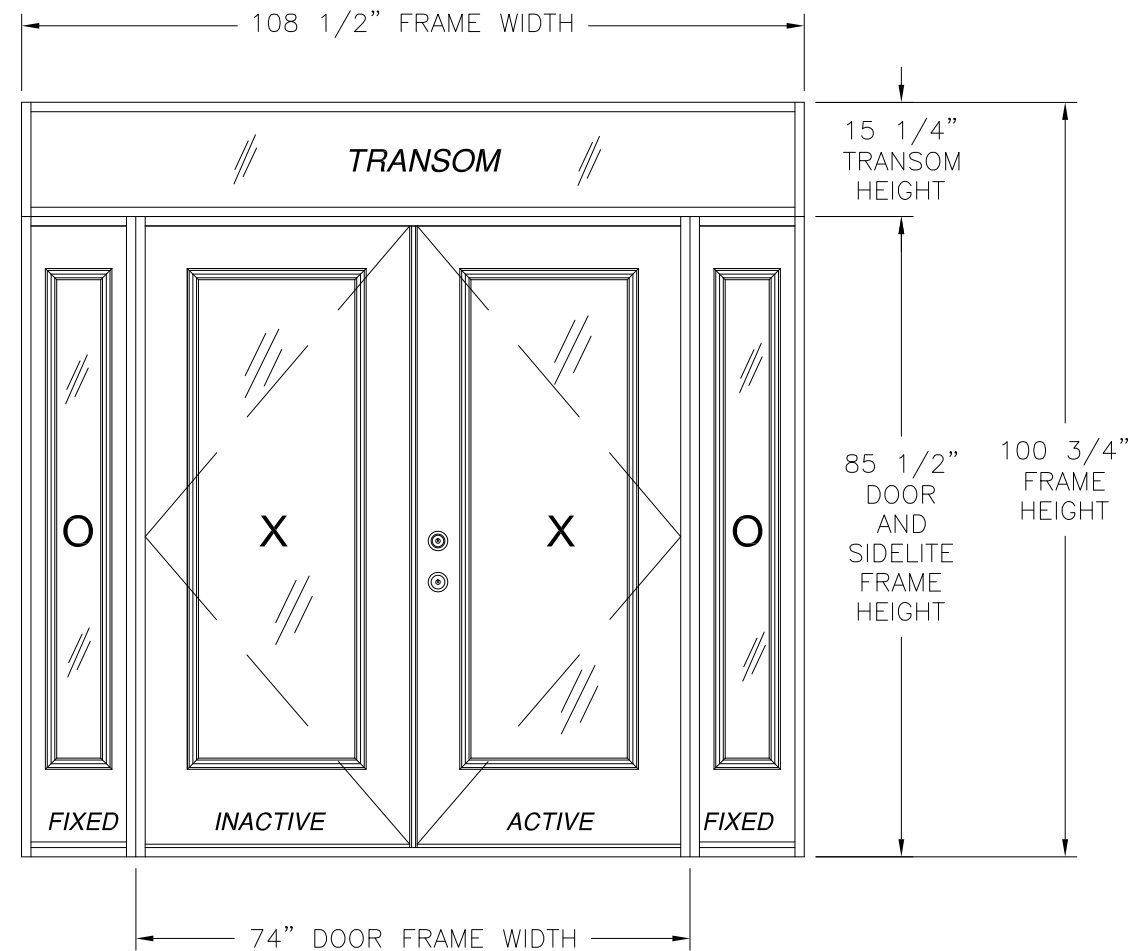
L. ROBERTO LOMAS P.E.
1432 WOODFORD RD LEWISVILLE, NC 27023
434-688-0609 rllomas@lrlomaspe.com

SIGNED: 09/08/2021



Luis R. Lomas P.E.
FL No.: 62514

REVISIONS			
REV	DESCRIPTION	DATE	APPROVED
L	ADDED GLAZED FIR TRIMS	08/25/2021	R.L.



<i>HARDWARE SCHEDULE</i>	
A.	F-SERIES LOCK ASSEMBLY DOOR KNOB BY SCHLAGE.
B.	B-SERIES DEADBOLT ASSEMBLY BY SCHLAGE.
C.	F-SERIES DEADBOLT ASSEMBLY BY SCHLAGE.
D.	RESIDENTIAL GRADE DOOR HANDLE ASSEMBLY BY EMTEK (ALTERNATE).
E.	MULTI-POINT LOCK HANDLE ASSEMBLY BY TRILENNIUM (ALTERNATE).
F.	INSWING HURRICANE ASTRAGAL BY ENDURA.
G.	OUTSWING HURRICANE ASTRAGAL BY ENDURA.
H.	(4) 4" x 4" BALL BEARING HINGES BY BY PENROD.
I.	(3) 4" x 4" SPRING BOMMER HINGES BY PENROD.

SIGNET INSWING FIBERGLASS DOUBLE DOOR W/SIDELITES AND TRANSOM
EXTERIOR VIEW

DESIGN PRESSURE RATING	IMPACT RATING
±55.0PSF	NONE
THIS SYSTEM WAS NOT TESTED FOR WATER INFILTRATION AND IS TO BE INSTALLED ONLY WHERE THE WATER REQUIREMENT IS NOT NEEDED	

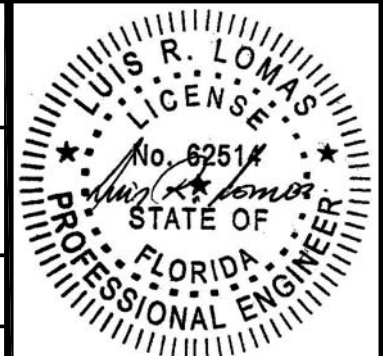
FOR ADDITIONAL APPROVED CONFIGURATIONS SEE SHEET 4.
35 3/4" x 83" PANEL SIZE SHOWN. OTHER SIZES ARE APPROVED AS LONG AS INDIVIDUAL PANEL AREA DOES NOT EXCEED 20.60FT²

NOTES:

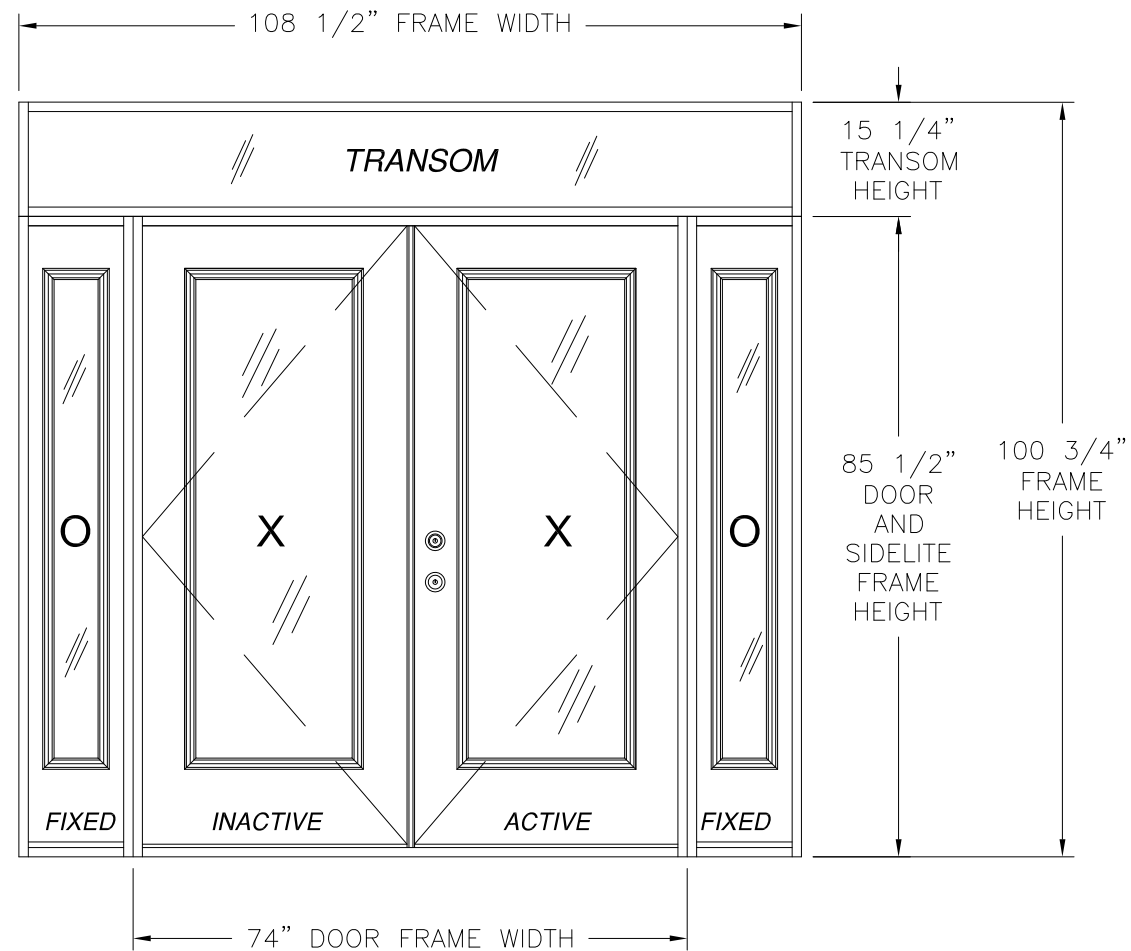
- DOOR PANEL SIZE: 35 3/4" X 83"
- SIDELITE PANEL SIZE: 17 1/4" X 85 1/2"
- DOOR PANEL D.L.O.: 21 1/4" X 63 1/4"
- SIDELITE PANEL D.L.O.: 6 7/8" X 63 1/4"
- TRANSOM D.L.O.: 102" X 12 3/4"

SIGNED: 09/08/2021

PROVIA, LLC. 2150 STATE ROUTE 39 WEST SUGARCREEK, OH 44681		
SIGNET IS/OS GLAZED FIBERGLASS DOOR W/ AND W/OUT SIDELITES AND TRANSOM INSWING ELEVATION		
DRAWN: TJH	DWG NO. 08-00711	REV L
SCALE NTS	DATE 03/30/09	SHEET 2 OF 19
L. ROBERTO LOMAS P.E. 1432 WOODFORD RD LEWISVILLE, NC 27023 434-688-0609 rllomas@rlomaspe.com		



Luis R. Lomas P.E.
FL No.: 62514



REVISIONS			
REV	DESCRIPTION	DATE	APPROVED
L	ADDED GLAZED FIR TRIMS	08/25/2021	R.L.

HARDWARE SCHEDULE	
A.	F-SERIES LOCK ASSEMBLY DOOR KNOB BY SCHLAGE.
B.	B-SERIES DEADBOLT ASSEMBLY BY SCHLAGE.
C.	F-SERIES DEADBOLT ASSEMBLY BY SCHLAGE.
D.	RESIDENTIAL GRADE DOOR HANDLE ASSEMBLY BY EMTEK (ALTERNATE).
E.	MULTI-POINT LOCK HANDLE ASSEMBLY BY TRILENNIUM (ALTERNATE).
F.	INSWING HURRICANE ASTRAGAL BY ENDURA.
G.	OUTSWING HURRICANE ASTRAGAL BY ENDURA.
H.	(4) 4" x 4" BALL BEARING HINGES BY BY PENROD.
I.	(3) 4" x 4" SPRING BOMMER HINGES BY PENROD.

SIGNET OUTSWING FIBERGLASS DOUBLE DOOR W/SIDELITES AND TRANSOM
EXTERIOR VIEW

DESIGN PRESSURE RATING	IMPACT RATING
±55.0PSF	NONE
THIS SYSTEM WAS NOT TESTED FOR WATER INFILTRATION AND IS TO BE INSTALLED ONLY WHERE THE WATER REQUIREMENT IS NOT NEEDED	

FOR ADDITIONAL APPROVED CONFIGURATIONS SEE SHEET 4.
35 3/4" x 83" PANEL SIZE SHOWN. OTHER SIZES ARE APPROVED AS LONG AS INDIVIDUAL PANEL AREA DOES NOT EXCEED 20.60FT²

- NOTES:
- DOOR PANEL SIZE: 35 3/4" X 83"
 - SIDELITE PANEL SIZE: 17 1/4" X 85 1/2"
 - DOOR PANEL D.L.O.: 21 1/4" X 63 1/4"
 - SIDELITE PANEL D.L.O.: 6 7/8" X 63 1/4"
 - TRANSOM D.L.O.: 102" X 12 3/4"

SIGNED: 09/08/2021

PROVIA, LLC.
2150 STATE ROUTE 39 WEST
SUGARCREEK, OH 44681

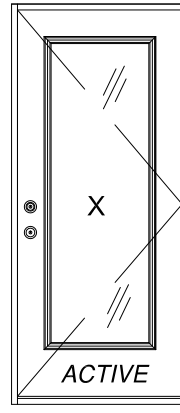
SIGNET IS/OS GLAZED FIBERGLASS DOOR
W/ AND W/OUT SIDELITES AND TRANSOM
OUTSWING ELEVATION AND HARDWARE

DRAWN: TJH	DWG NO. 08-00711	REV L
SCALE NTS	DATE 03/30/09	SHEET 3 OF 19

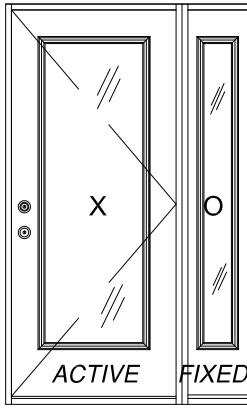
L. ROBERTO LOMAS P.E.
1432 WOODFORD RD LEWISVILLE, NC 27023
434-688-0609 rllomas@rlomaspe.com

Luis R. Lomas P.E.
FL No.: 62514

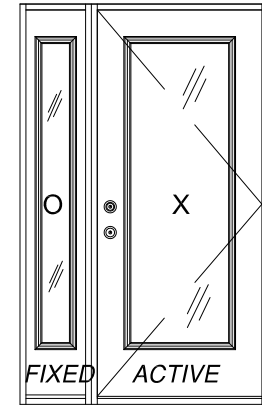
REVISIONS			
REV	DESCRIPTION	DATE	APPROVED
L	ADDED GLAZED FIR TRIMS	08/25/2021	R.L.



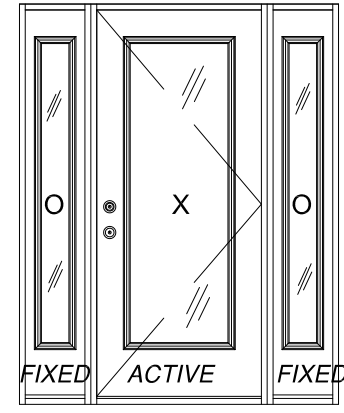
SINGLE



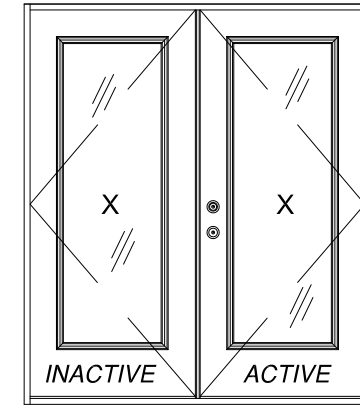
SINGLE W/SIDELITE



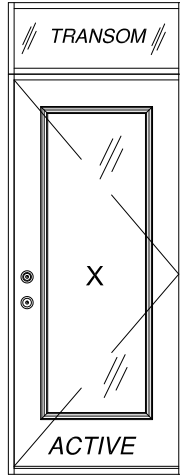
SINGLE W/SIDELITE



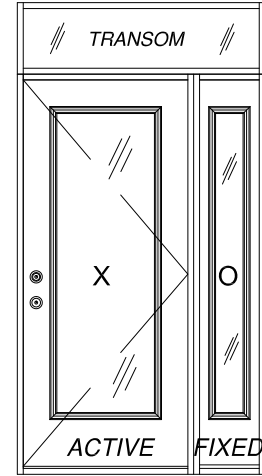
SINGLE W/SIDELITES



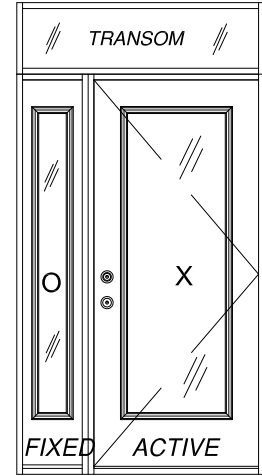
DOUBLE



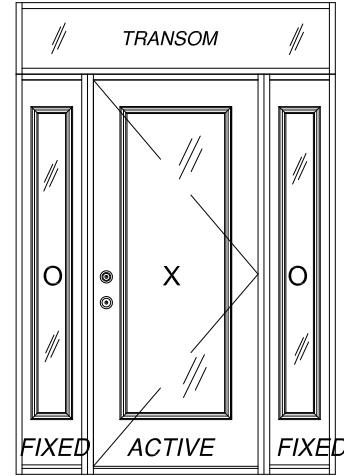
SINGLE W/TRANSOM



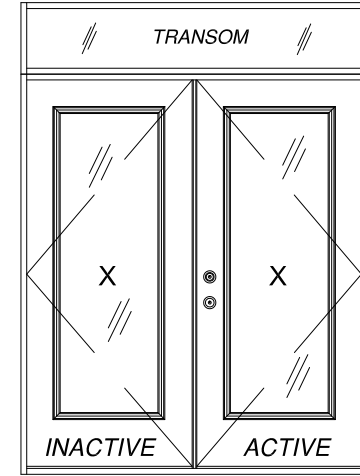
SINGLE W/SIDELITE & TRANSOM



SINGLE W/SIDELITE & TRANSOM



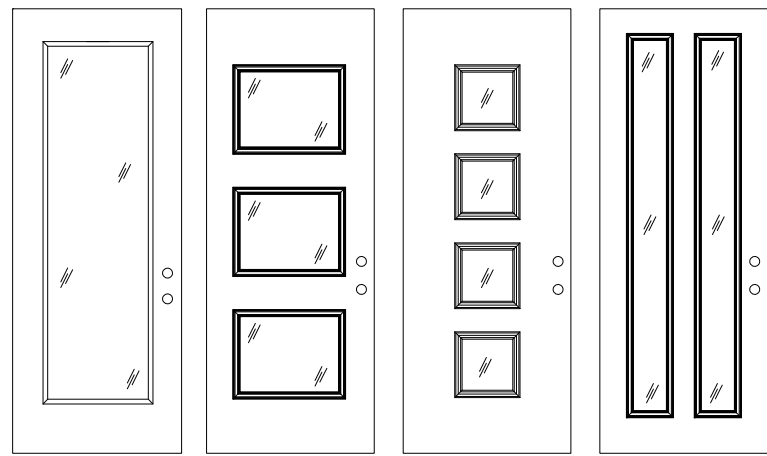
SINGLE W/SIDELITES & TRANSOM



DOUBLE W/TRANSOM

NOTE:
ALL APPROVED CONFIGURATIONS MAY BE
INSWING OR OUTSWING MODELS. ALL
APPROVED CONFIGURATIONS ARE SHOWN AS
RIGHT HAND ACTIVE, LEFT HAND ACTIVE IS
ALSO APPROVED.

APPROVED LITE CONFIGURATIONS



FULL LITE

3 LITE

4 LITE

2 LITE

LITE CONFIGURATIONS SHOWN ARE FOR REFERENCE ONLY. MULTIPLE LITE
CONFIGURATIONS ARE APPROVED AS LONG AS LITE SIZE DOES NOT EXCEED 9.2 FT²

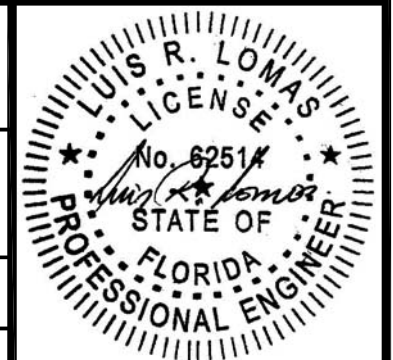
SIGNED: 09/08/2021

PROVIA, LLC.
2150 STATE ROUTE 39 WEST
SUGARCREEK, OH 44681

SIGNET IS/OS GLAZED FIBERGLASS DOOR
W/ AND W/OUT SIDELITES AND TRANSOM
INSWING/OUTSWING ADDITIONAL CONFIGURATIONS

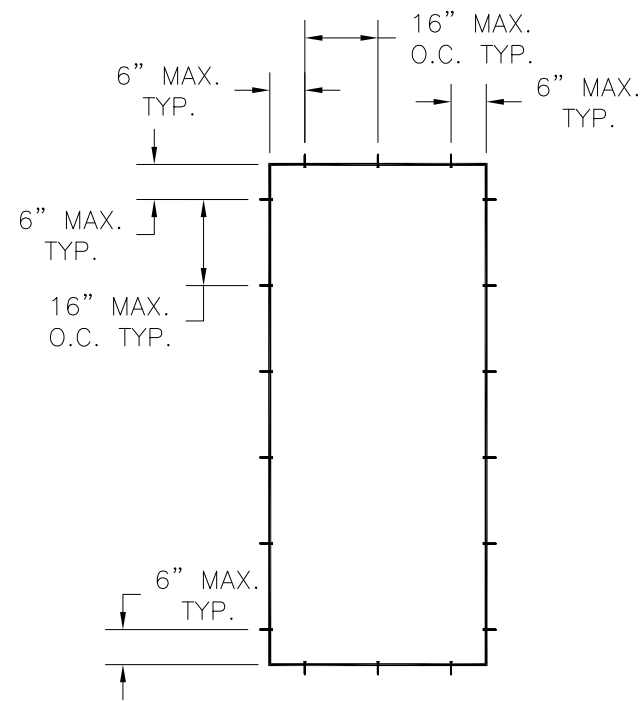
DRAWN: TJH	DWG NO. 08-00711	REV L
SCALE NTS	DATE 03/30/09	SHEET 4 OF 19

L. ROBERTO LOMAS P.E.
1432 WOODFORD RD LEWISVILLE, NC 27023
434-688-0609 rllomas@lrlomaspe.com

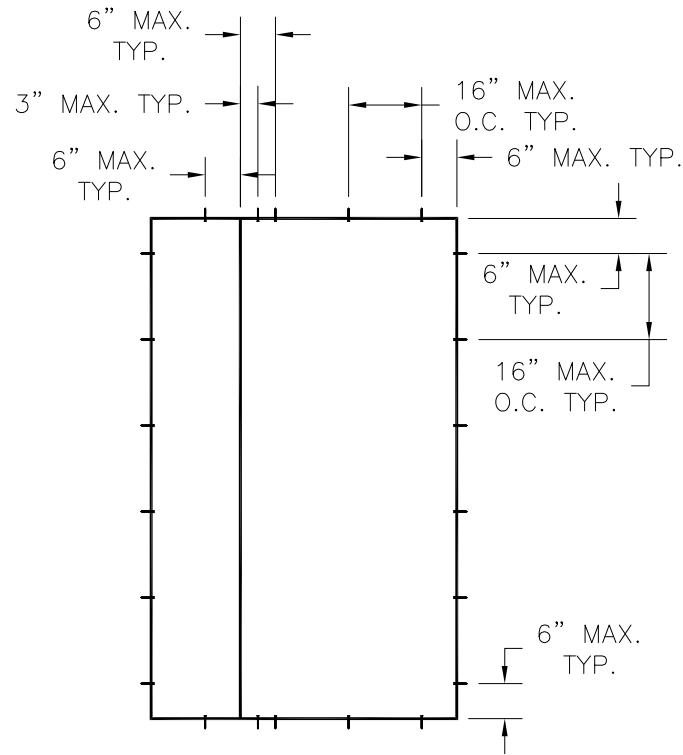


Luis R. Lomas P.E.
FL No.: 62514

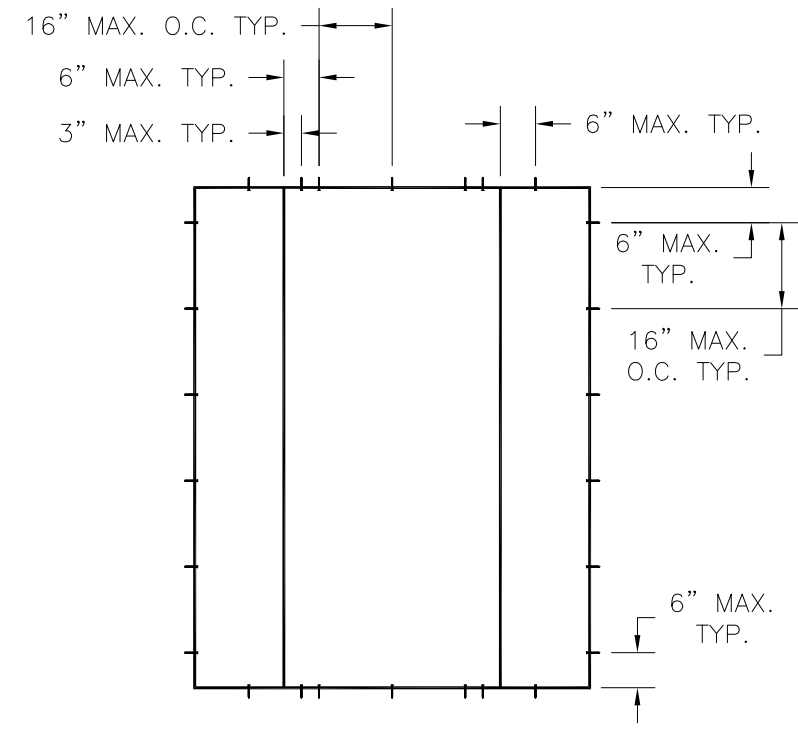
REVISIONS			
REV	DESCRIPTION	DATE	APPROVED
L	ADDED GLAZED FIR TRIMS	08/25/2021	R.L.



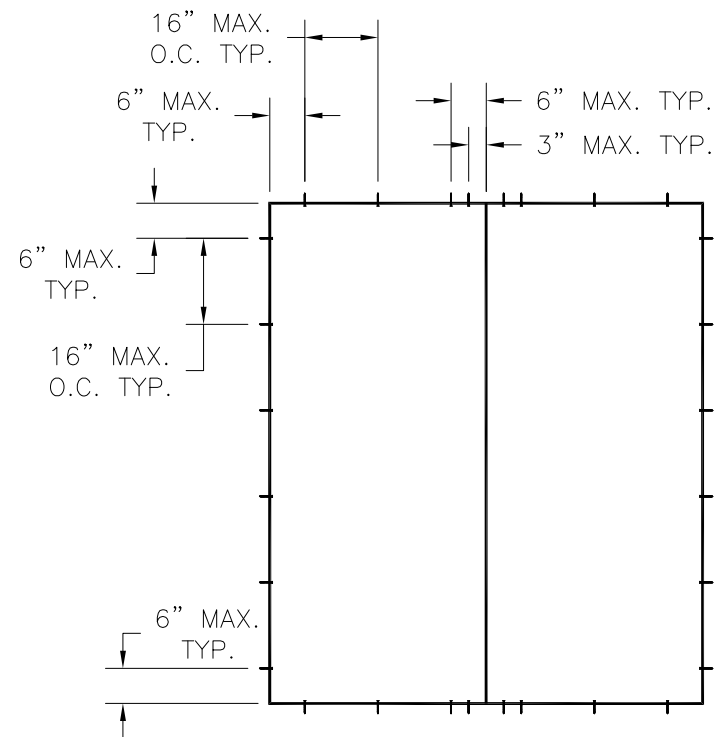
SINGLE



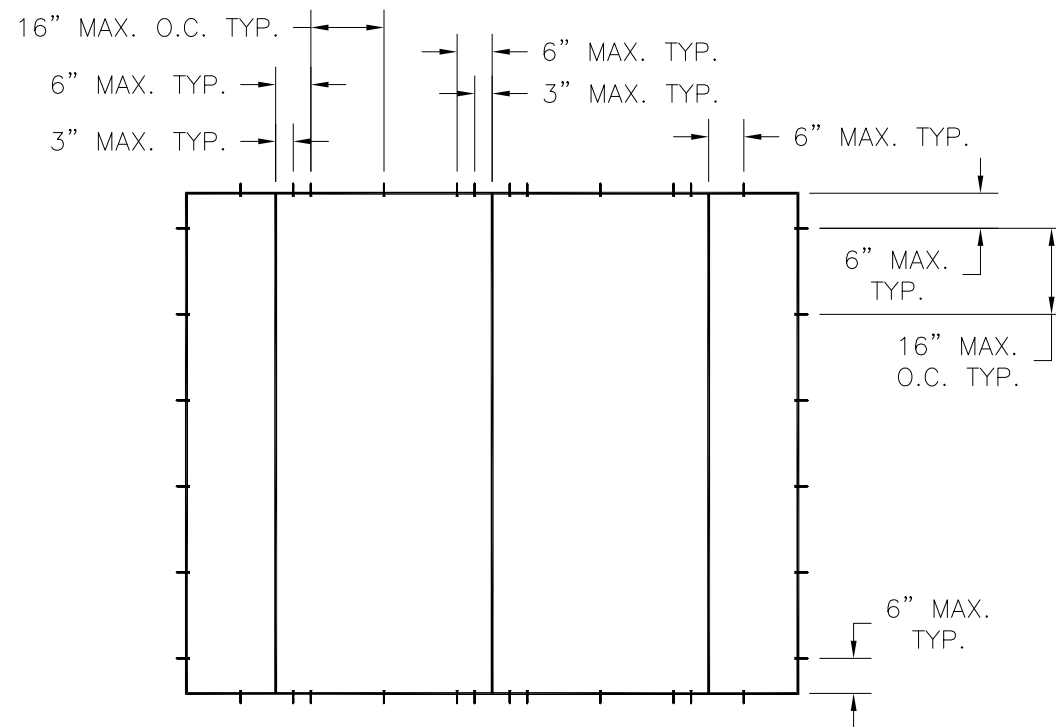
SINGLE W/SIDELITE



SINGLE W/SIDELITES



DOUBLE



DOUBLE W/SIDELITES

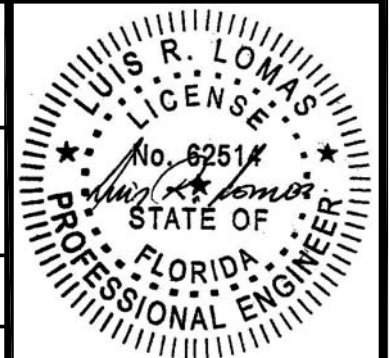
PROVIA, LLC.
2150 STATE ROUTE 39 WEST
SUGARCREEK, OH 44681

SIGNET IS/OS GLAZED FIBERGLASS DOOR
W/ AND W/OUT SIDELITES AND TRANSOM
ANCHORING LAYOUTS WITHOUT TRANSOMS

DRAWN: TJH	DWG NO. 08-00711	REV L
SCALE NTS	DATE 03/30/09	SHEET 5 OF 19

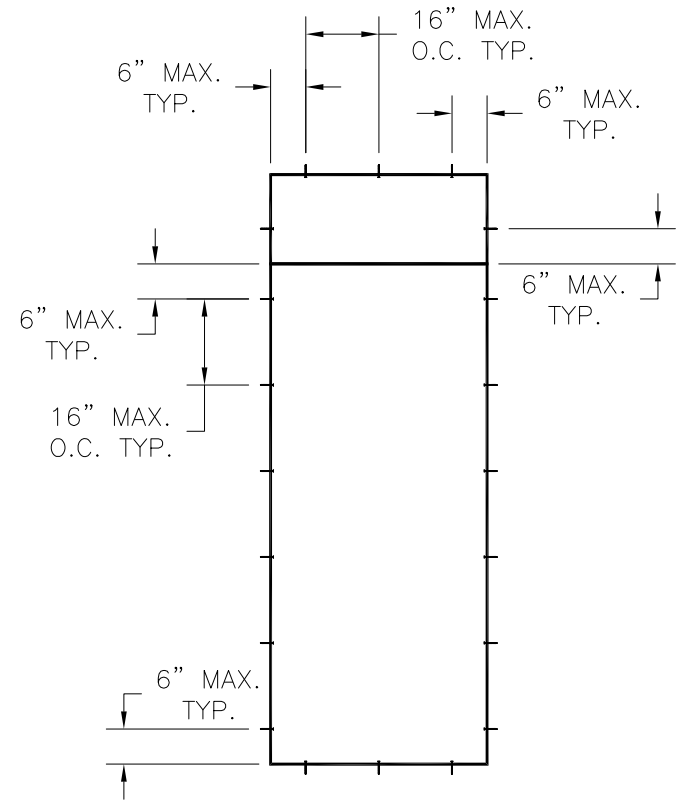
L. ROBERTO LOMAS P.E.
1432 WOODFORD RD LEWISVILLE, NC 27023
434-688-0609 rllomas@rlomaspe.com

SIGNED: 09/08/2021

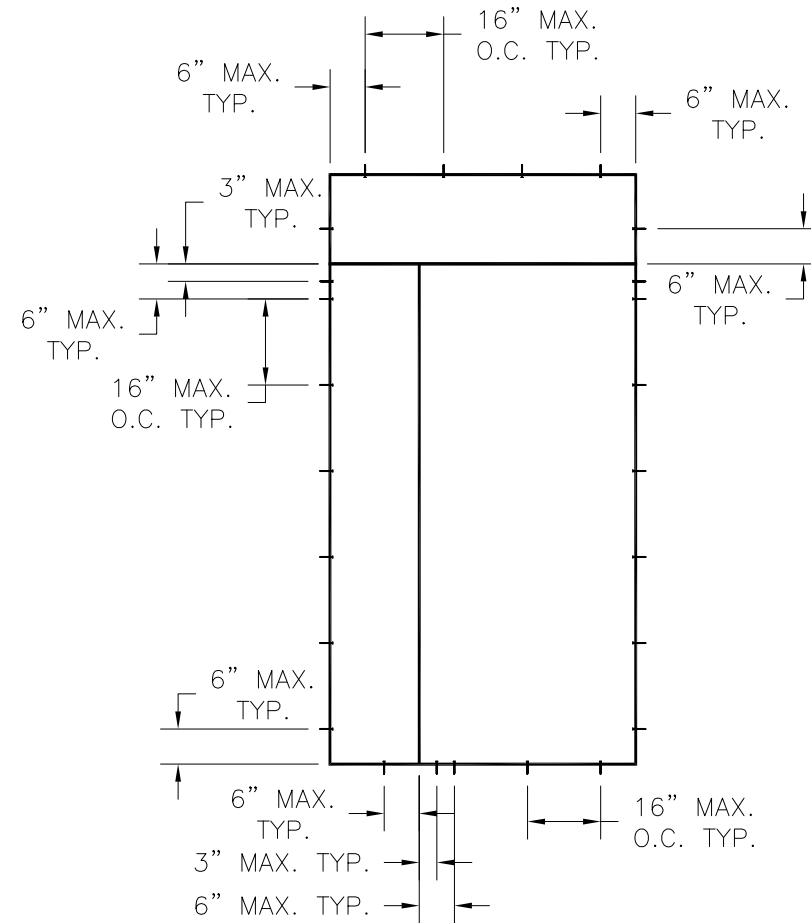


Luis R. Lomas P.E.
FL No.: 62514

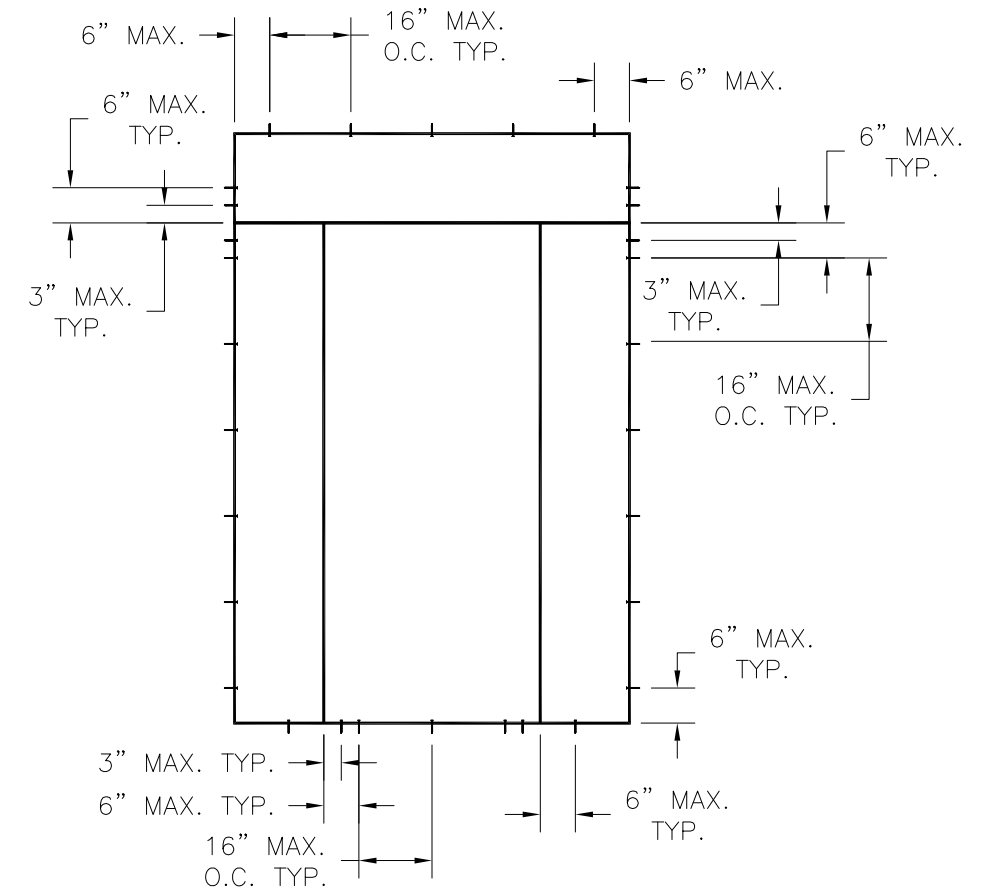
REVISIONS			
REV	DESCRIPTION	DATE	APPROVED
L	ADDED GLAZED FIR TRIMS	08/25/2021	R.L.



SINGLE W/TRANSOM



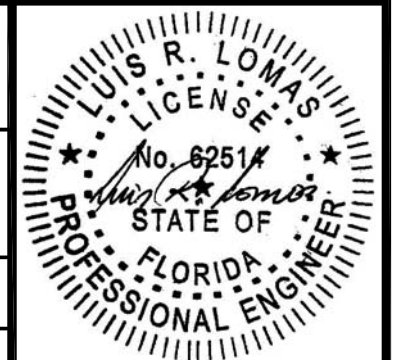
SINGLE W/SIDELITE & TRANSOM



SINGLE W/SIDELITES & TRANSOM

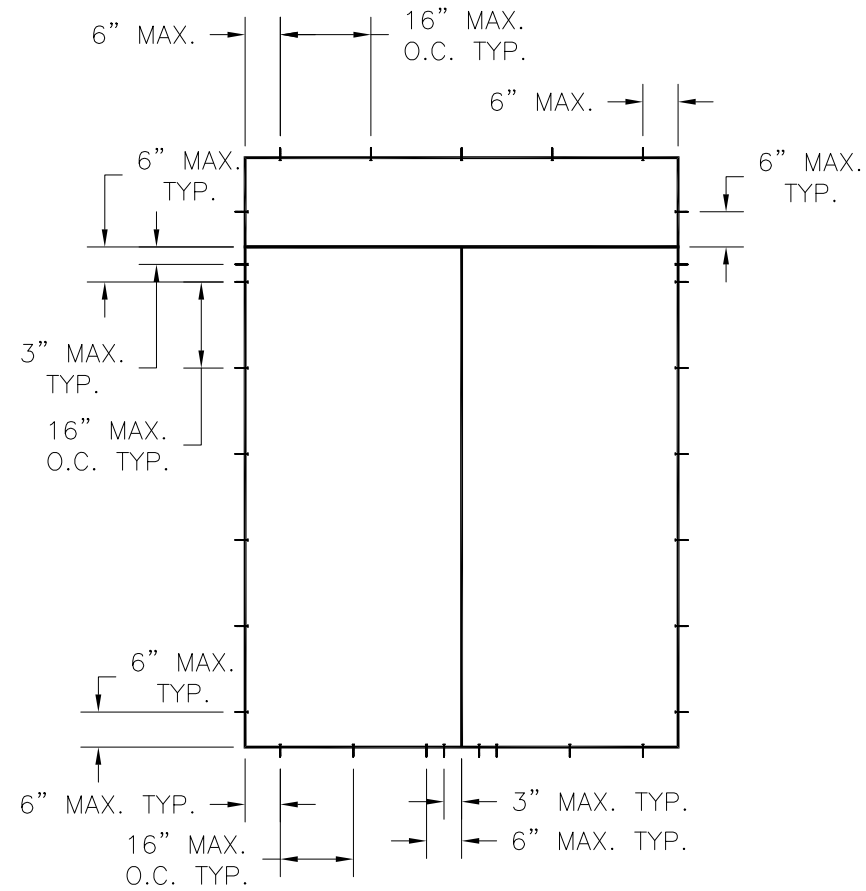
SIGNED: 09/08/2021

PROVIA, LLC. 2150 STATE ROUTE 39 WEST SUGARCREEK, OH 44681		
SIGNET IS/OS GLAZED FIBERGLASS DOOR W/ AND W/OUT SIDELITES AND TRANSOM ANCHORING LAYOUTS WITH TRANSOMS		
DRAWN: TJH	DWG NO. 08-00711	REV L
SCALE NTS	DATE 03/30/09	SHEET 6 OF 19
L. ROBERTO LOMAS P.E. 1432 WOODFORD RD LEWISVILLE, NC 27023 434-688-0609 rllomas@rlomaspe.com		

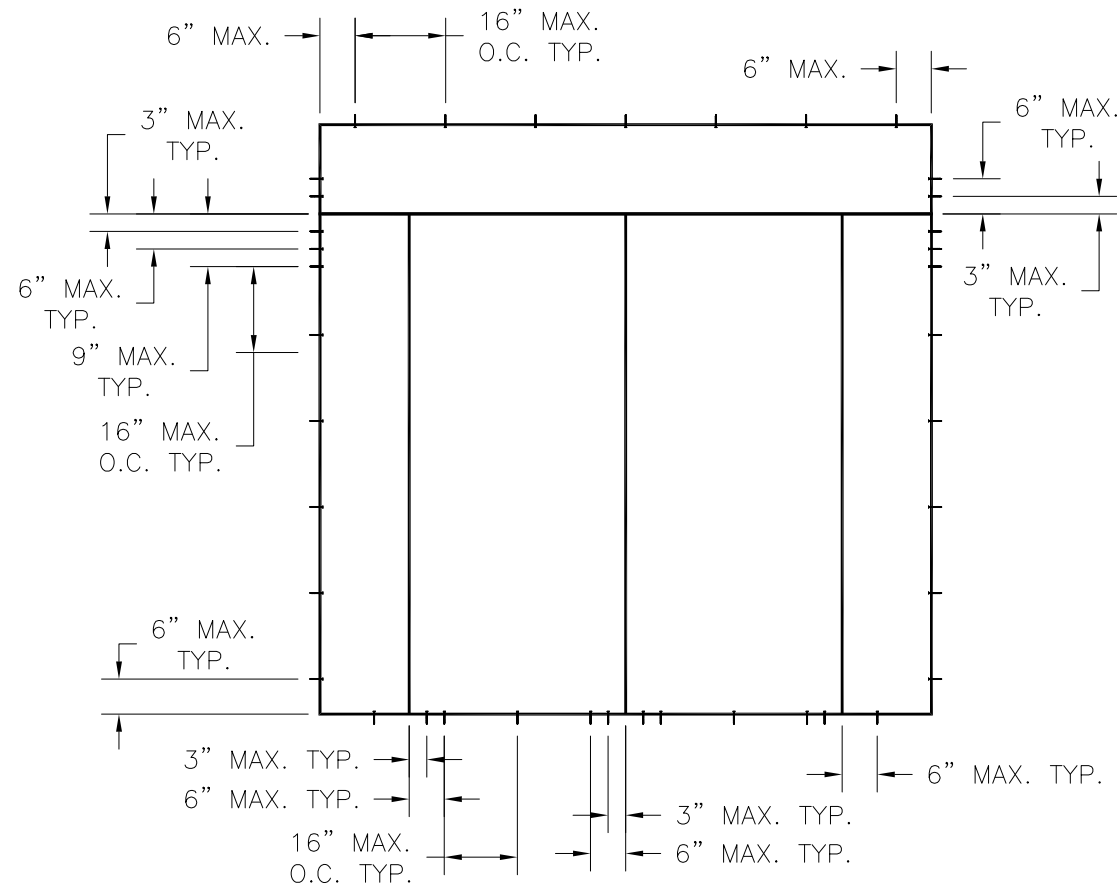


Luis R. Lomas P.E.
FL No.: 62514

REVISIONS			
REV	DESCRIPTION	DATE	APPROVED
L	ADDED GLAZED FIR TRIMS	08/25/2021	R.L.



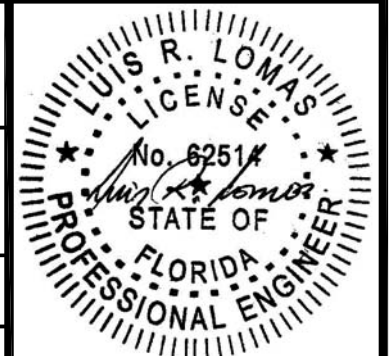
DOUBLE W/TRANSOM



DOUBLE W/SIDELITES & TRANSOM

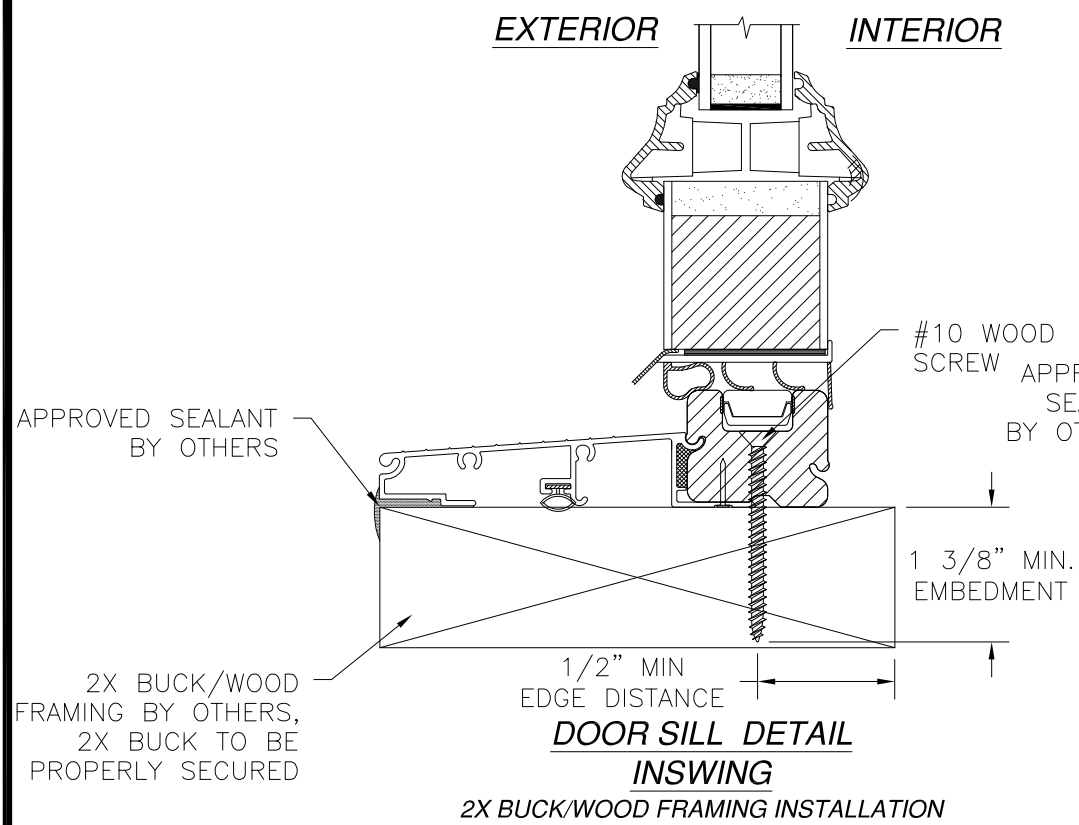
SIGNED: 09/08/2021

PROVIA, LLC. 2150 STATE ROUTE 39 WEST SUGARCREEK, OH 44681		
SIGNET IS/OS GLAZED FIBERGLASS DOOR W/ AND W/OUT SIDELITES AND TRANSOM ANCHORING LAYOUTS WITH TRANSOMS		
DRAWN: TJH	DWG NO. 08-00711	REV L
SCALE NTS	DATE 03/30/09	SHEET 7 OF 19
L. ROBERTO LOMAS P.E. 1432 WOODFORD RD LEWISVILLE, NC 27023 434-688-0609 rllomas@rlomaspe.com		

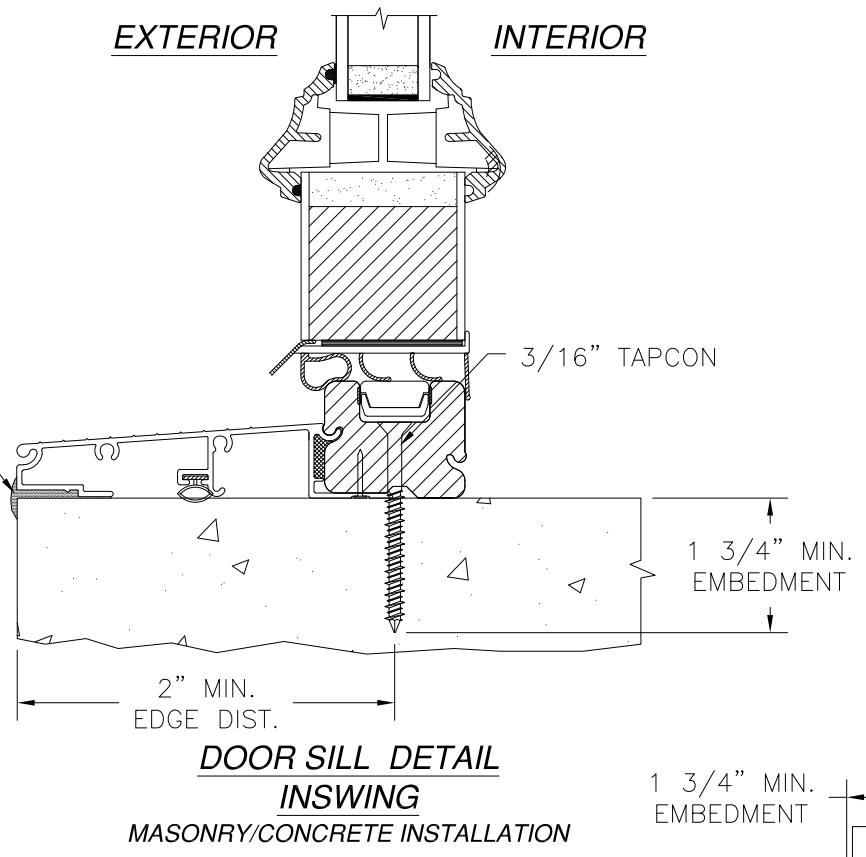


Luis R. Lomas P.E.
FL No.: 62514

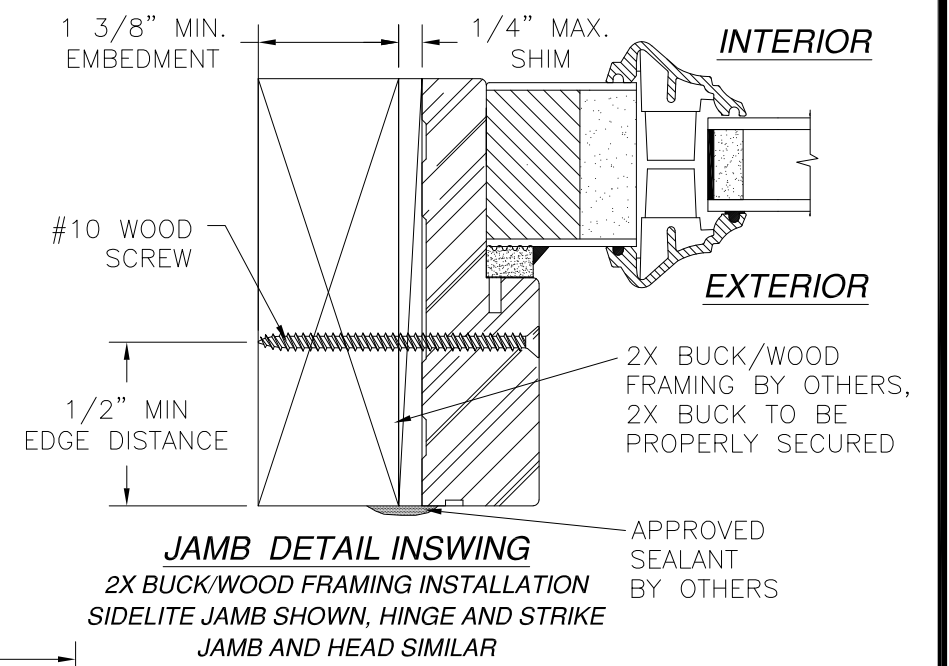
REVISIONS			
REV	DESCRIPTION	DATE	APPROVED
L	ADDED GLAZED FIR TRIMS	08/25/2021	R.L.



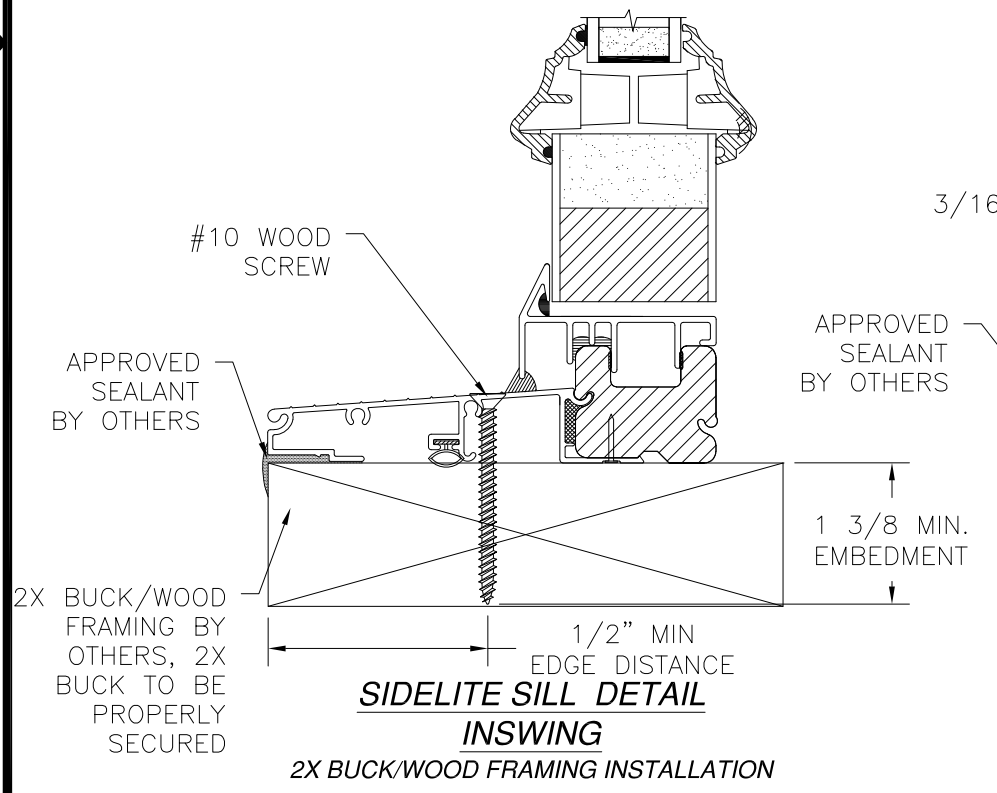
**DOOR SILL DETAIL
INSWING**
2X BUCK/WOOD FRAMING INSTALLATION



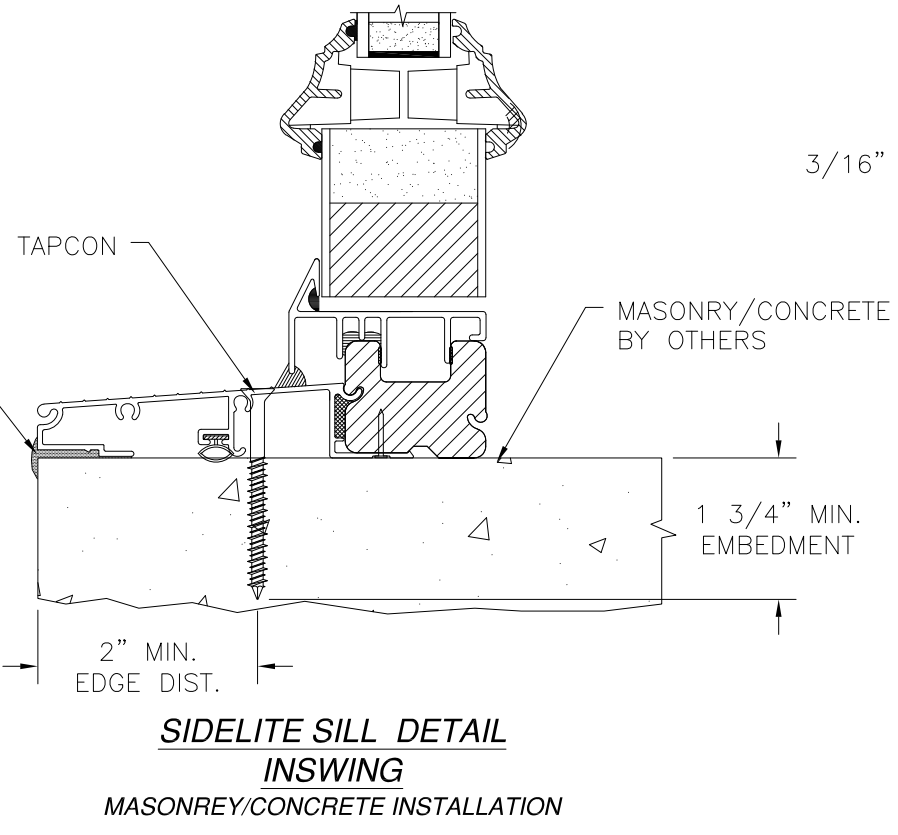
**DOOR SILL DETAIL
INSWING**
MASONRY/CONCRETE INSTALLATION



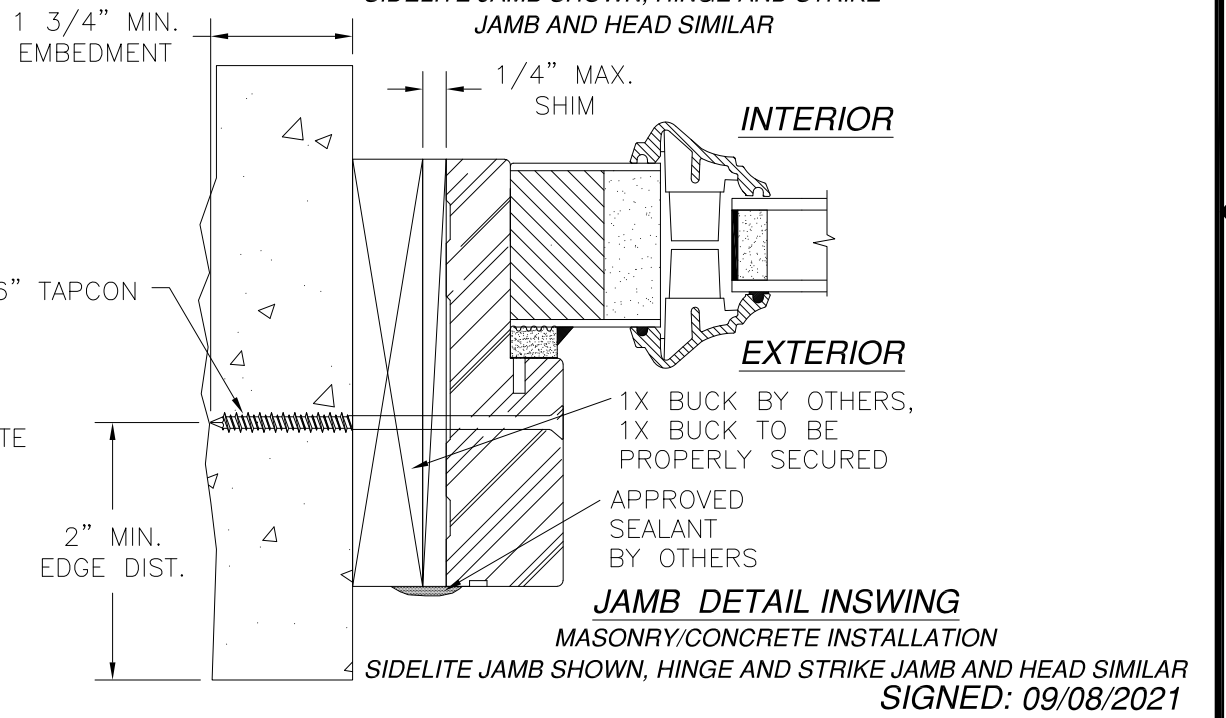
JAMB DETAIL INSWING
2X BUCK/WOOD FRAMING INSTALLATION
SIDELITE JAMB SHOWN, HINGE AND STRIKE
JAMB AND HEAD SIMILAR



**SIDELITE SILL DETAIL
INSWING**
2X BUCK/WOOD FRAMING INSTALLATION



**SIDELITE SILL DETAIL
INSWING**
MASONRY/CONCRETE INSTALLATION



JAMB DETAIL INSWING
MASONRY/CONCRETE INSTALLATION
SIDELITE JAMB SHOWN, HINGE AND STRIKE JAMB AND HEAD SIMILAR
SIGNED: 09/08/2021

- NOTES:**
1. INTERIOR AND EXTERIOR FINISHES, BY OTHERS, NOT SHOWN FOR CLARITY.
 2. PERIMETER AND JOINT SEALANT BY OTHERS TO BE DESIGNED IN ACCORDANCE WITH ASTM E2112

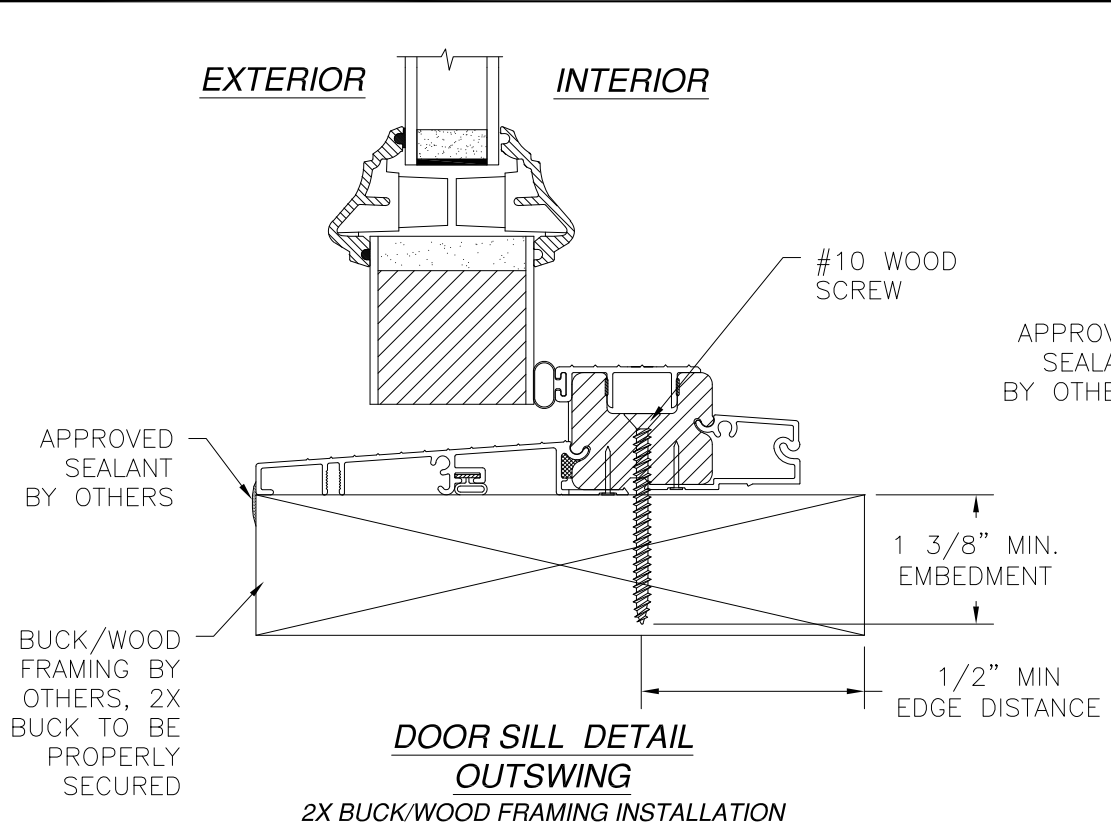
PROVIA, LLC.
2150 STATE ROUTE 39 WEST
SUGARCREEK, OH 44681

SIGNET IS/OS GLAZED FIBERGLASS DOOR
W/ AND W/OUT SIDELITES AND TRANSOM
INSWING INSTALLATION DETAILS

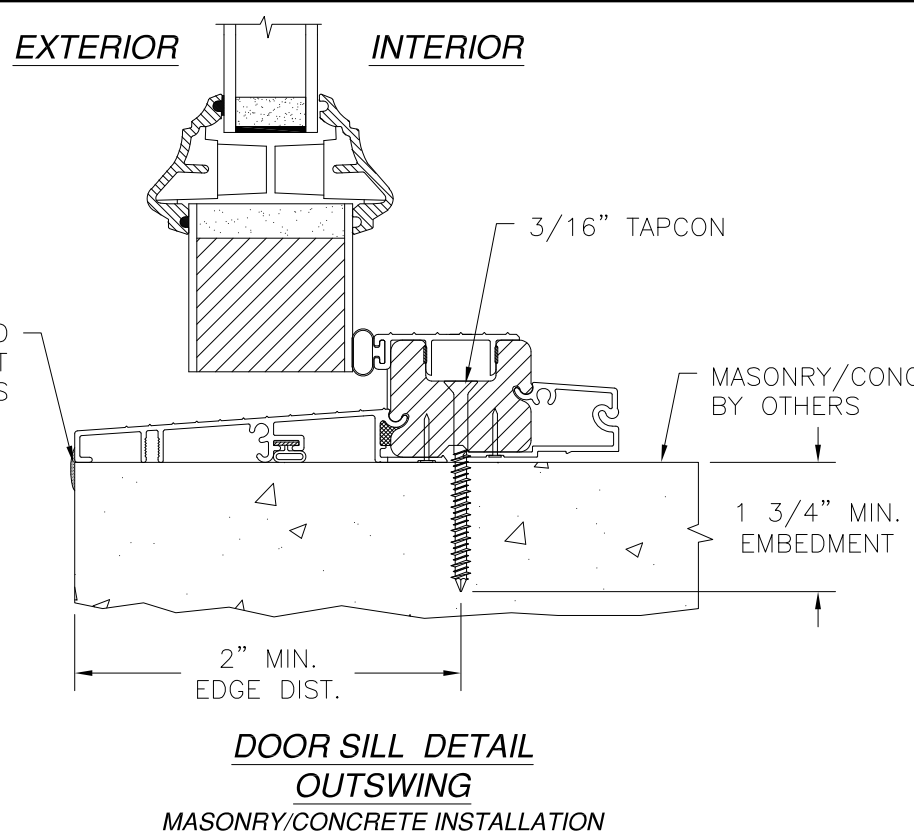
DRAWN: TJH	DWG NO. 08-00711	REV L
SCALE NTS	DATE 03/30/09	SHEET 8 OF 19

L. ROBERTO LOMAS P.E.
1432 WOODFORD RD LEWISVILLE, NC 27023
434-688-0609 rllomas@rlomaspe.com

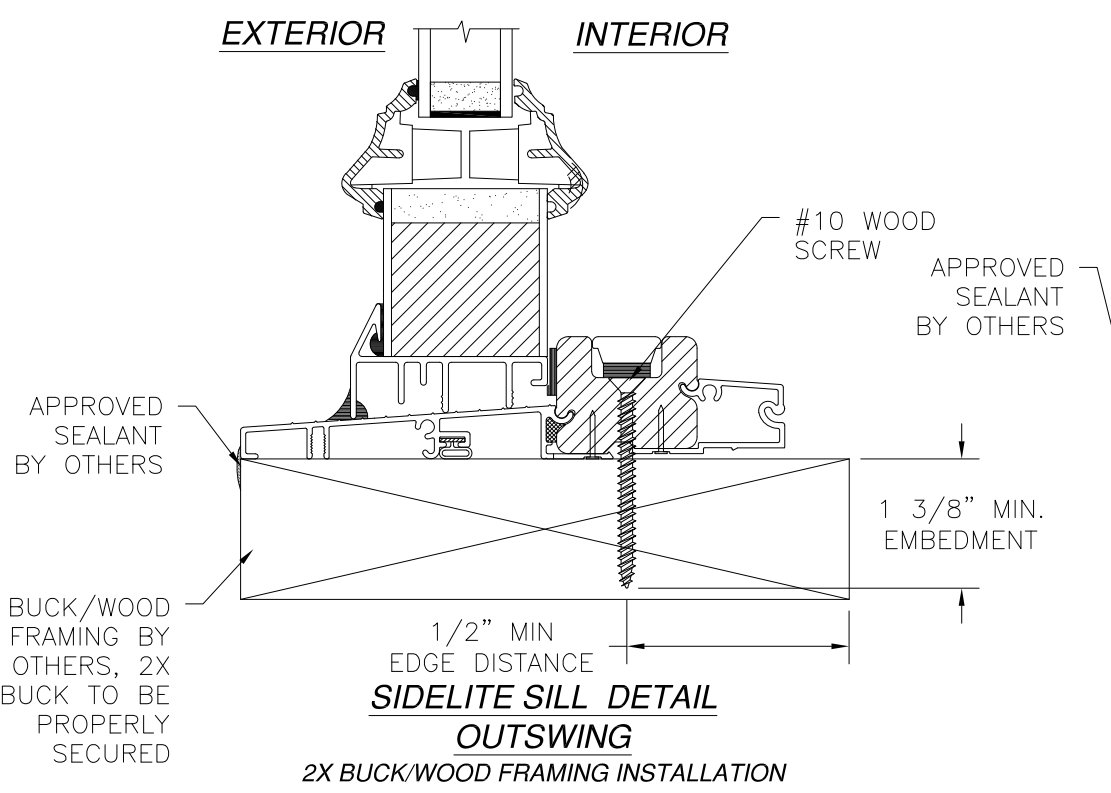
Luis R. Lomas P.E.
FL No.: 62514



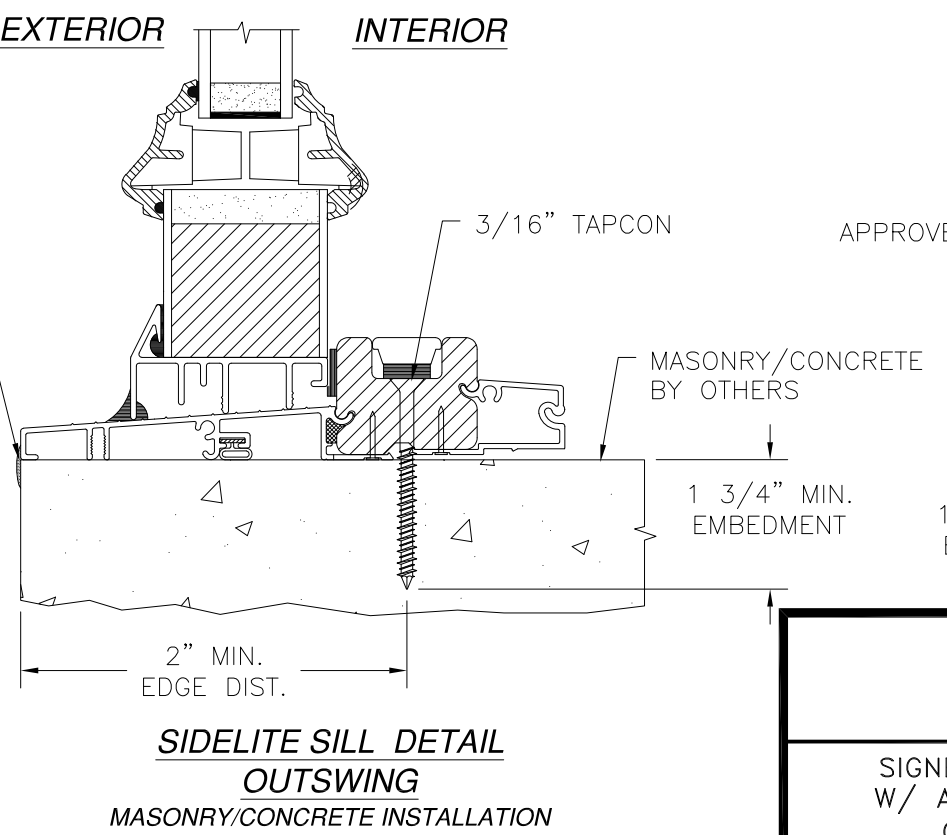
**DOOR SILL DETAIL
OUTSWING**
2X BUCK/WOOD FRAMING INSTALLATION



**DOOR SILL DETAIL
OUTSWING**
MASONRY/CONCRETE INSTALLATION

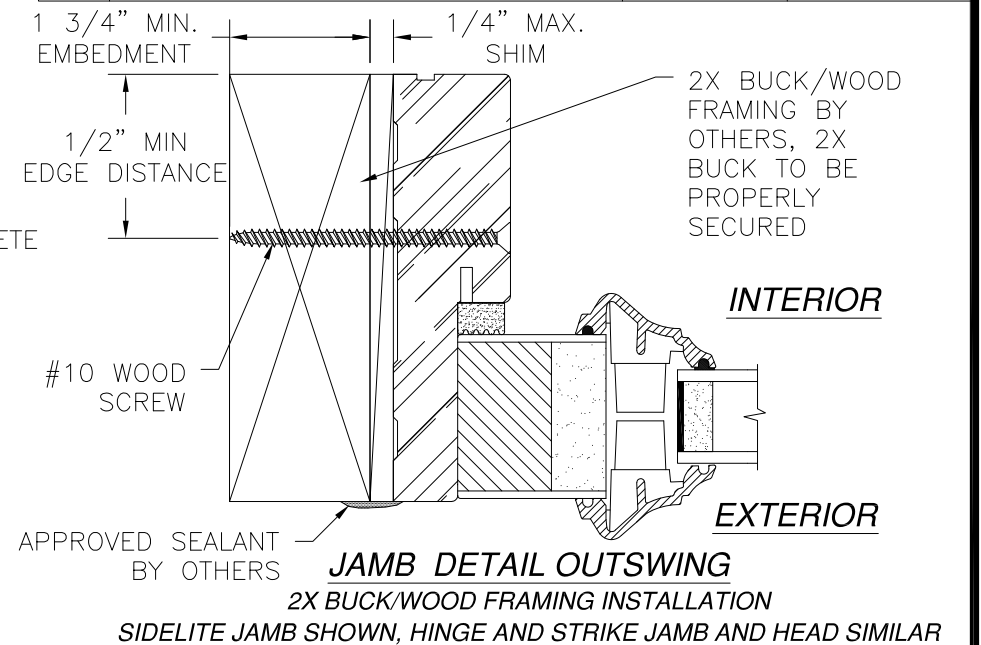


**SIDELITE SILL DETAIL
OUTSWING**
2X BUCK/WOOD FRAMING INSTALLATION

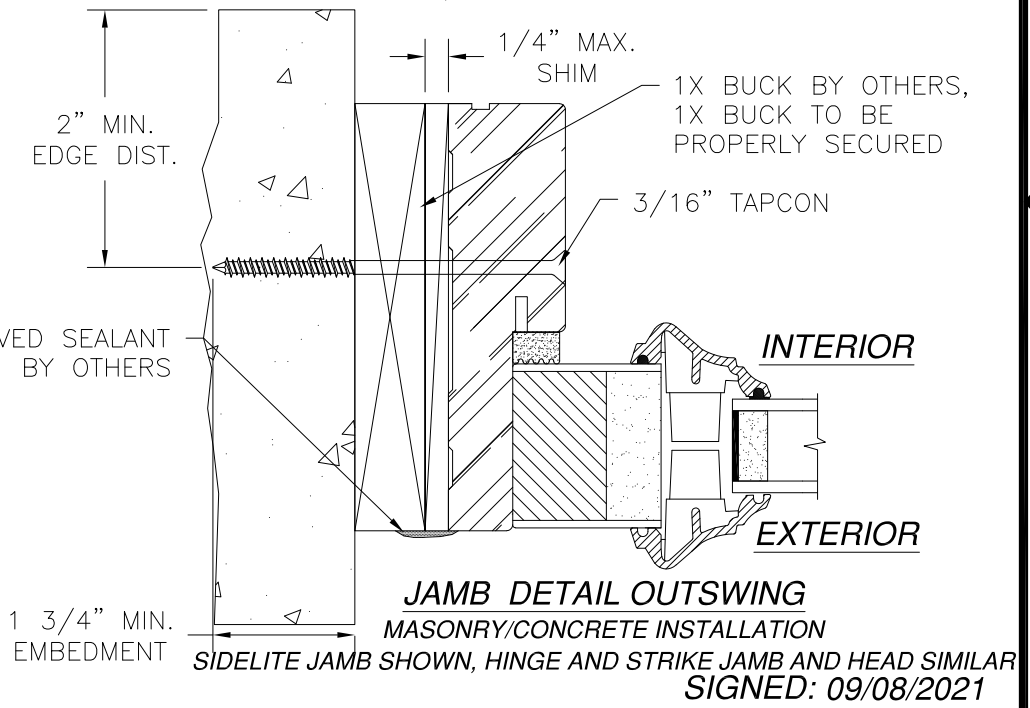


**SIDELITE SILL DETAIL
OUTSWING**
MASONRY/CONCRETE INSTALLATION

REVISIONS			
REV	DESCRIPTION	DATE	APPROVED
L	ADDED GLAZED FIR TRIMS	08/25/2021	R.L.



JAMB DETAIL OUTSWING
2X BUCK/WOOD FRAMING INSTALLATION
SIDELITE JAMB SHOWN, HINGE AND STRIKE JAMB AND HEAD SIMILAR



JAMB DETAIL OUTSWING
MASONRY/CONCRETE INSTALLATION
SIDELITE JAMB SHOWN, HINGE AND STRIKE JAMB AND HEAD SIMILAR
SIGNED: 09/08/2021

- NOTES:**
1. INTERIOR AND EXTERIOR FINISHES, BY OTHERS, NOT SHOWN FOR CLARITY.
 2. PERIMETER AND JOINT SEALANT BY OTHERS TO BE DESIGNED IN ACCORDANCE WITH ASTM E2112

PROVIA, LLC.
2150 STATE ROUTE 39 WEST
SUGARCREEK, OH 44681

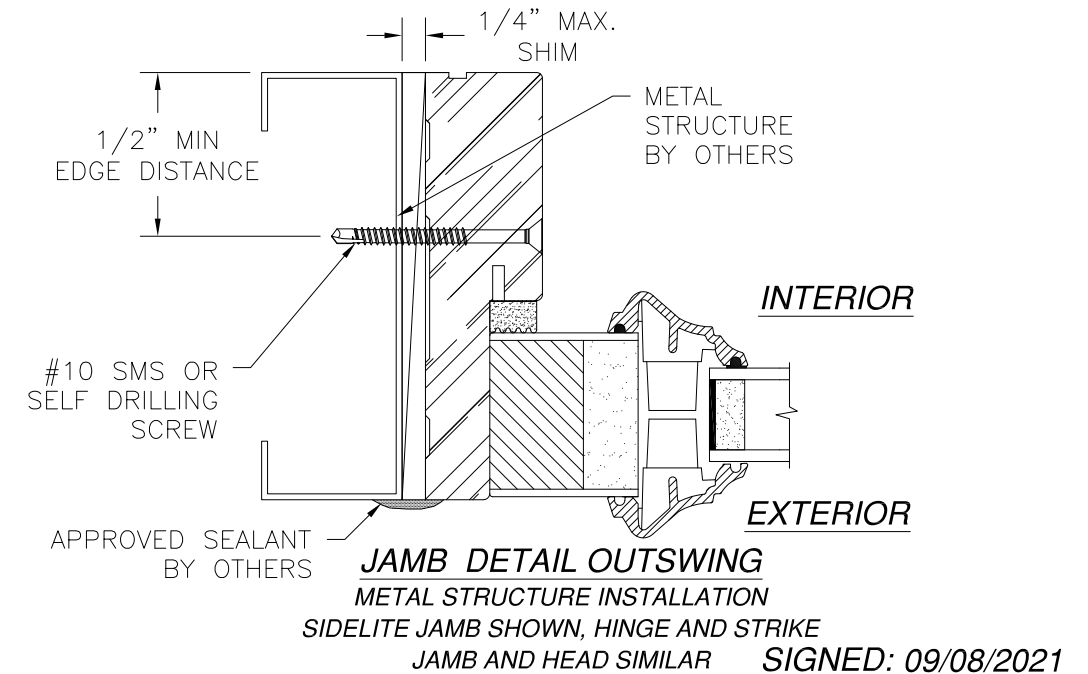
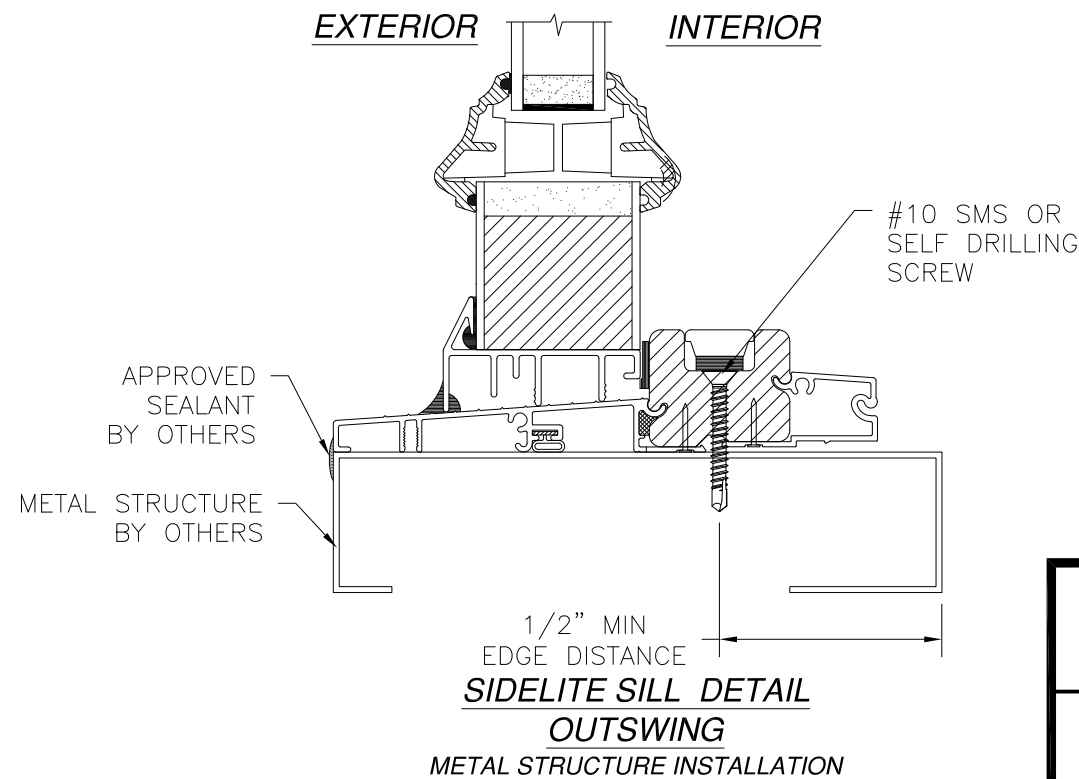
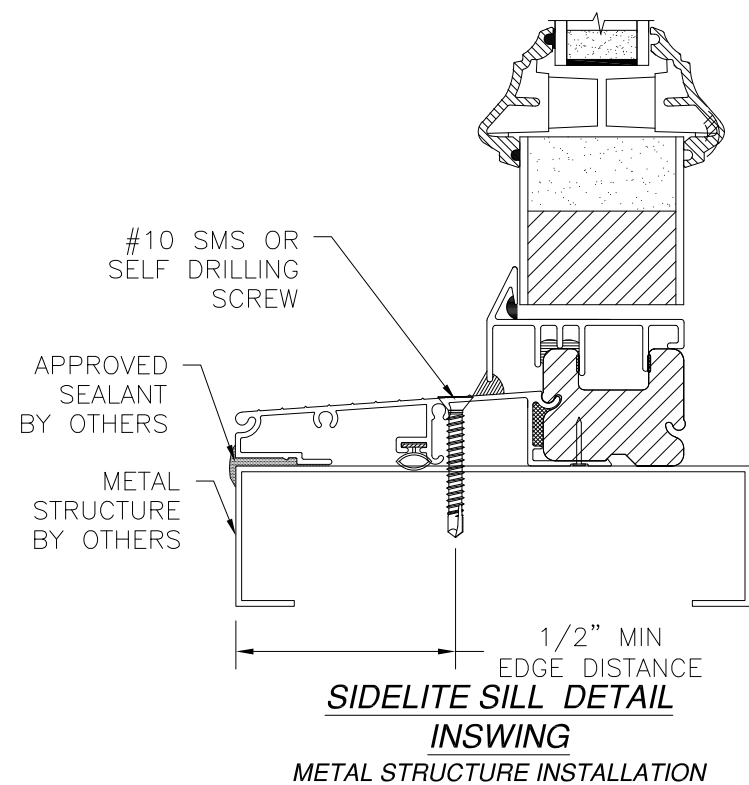
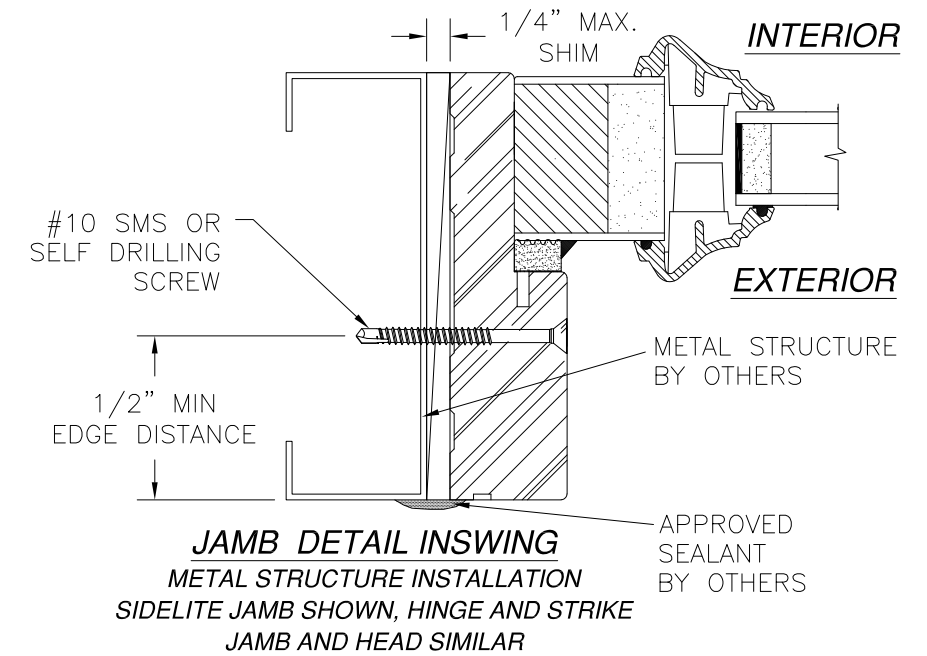
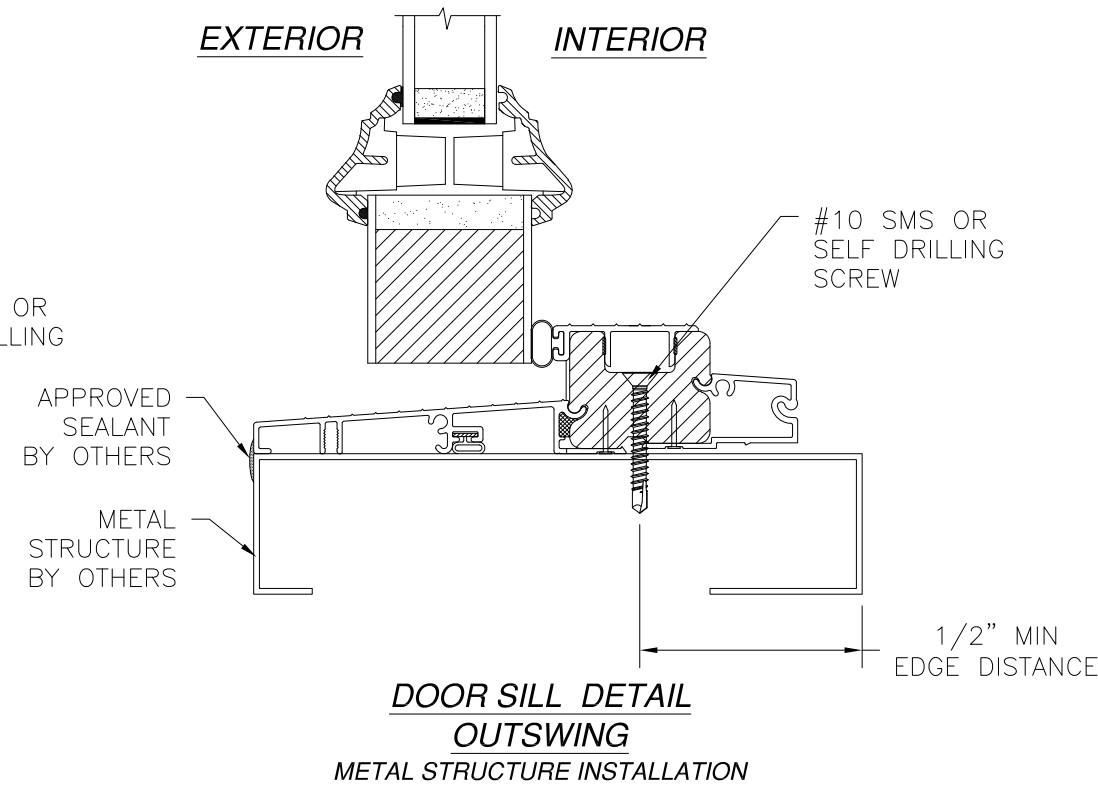
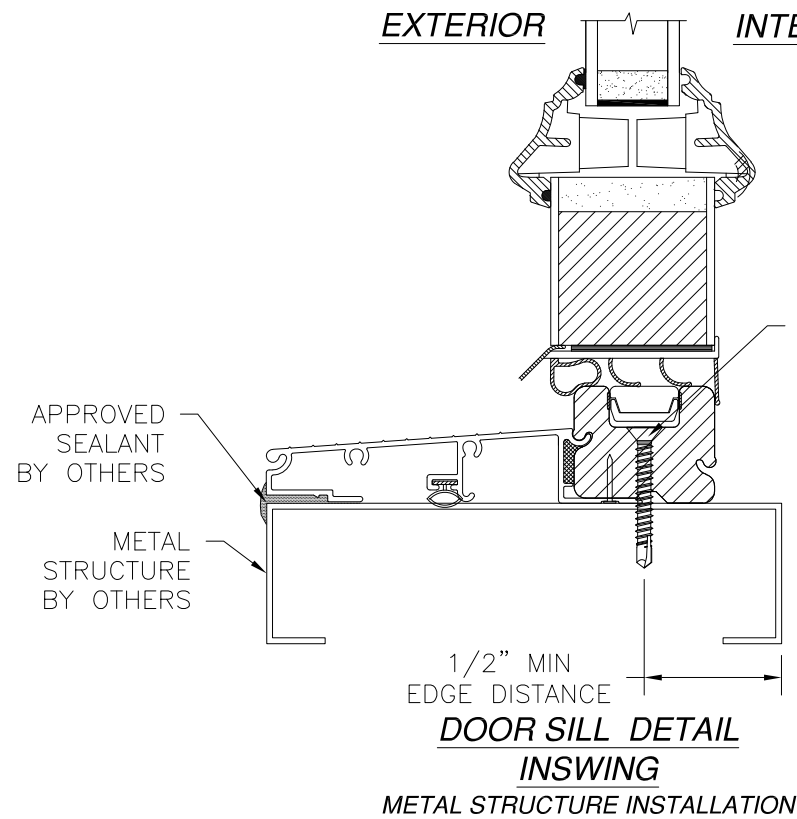
SIGNET IS/OS GLAZED FIBERGLASS DOOR
W/ AND W/OUT SIDELITES AND TRANSOM
OUTSWING INSTALLATION DETAILS

DRAWN: TJH	DWG NO. 08-00711	REV L
SCALE NTS	DATE 03/30/09	SHEET 9 OF 19

L. ROBERTO LOMAS P.E.
1432 WOODFORD RD LEWISVILLE, NC 27023
434-688-0609 rllomas@rlomaspe.com

Luis R. Lomas P.E.
FL No.: 62514

REVISIONS			
REV	DESCRIPTION	DATE	APPROVED
L	ADDED GLAZED FIR TRIMS	08/25/2021	R.L.



NOTES:

1. INTERIOR AND EXTERIOR FINISHES, BY OTHERS, NOT SHOWN FOR CLARITY.
2. PERIMETER AND JOINT SEALANT BY OTHERS TO BE DESIGNED IN ACCORDANCE WITH ASTM E2112

PROVIA, LLC.
2150 STATE ROUTE 39 WEST
SUGARCREEK, OH 44681

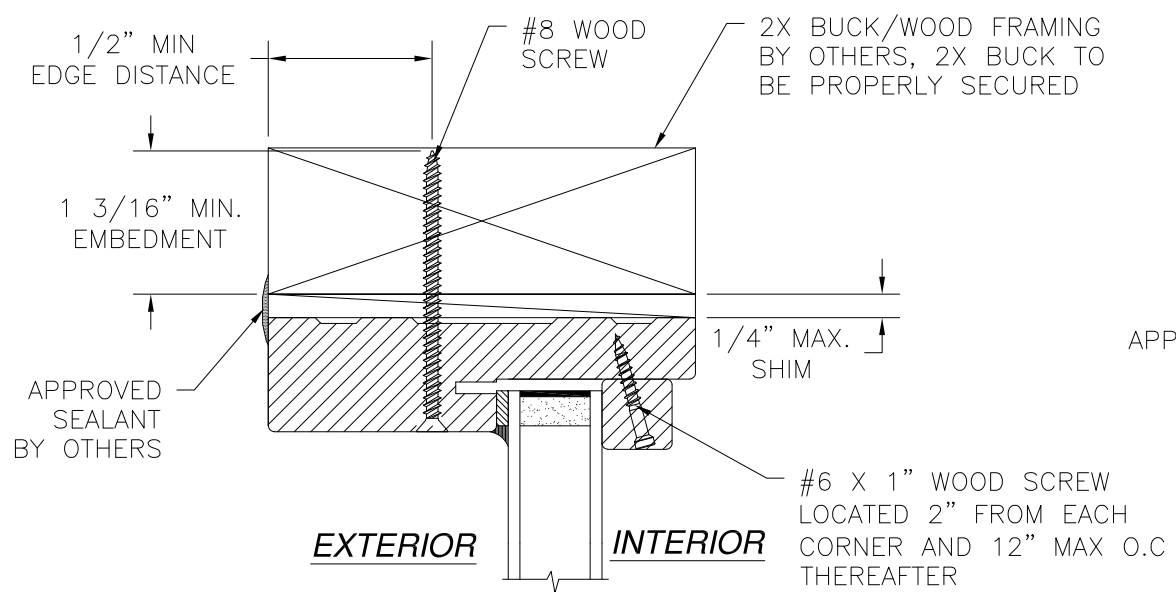
SIGNET IS/OS GLAZED FIBERGLASS DOOR
W/ AND W/OUT SIDELITES AND TRANSOM
METAL INSTALLATION DETAILS

DRAWN: TJH	DWG NO. 08-00711	REV L
SCALE NTS	DATE 03/30/09	SHEET 10 OF 19

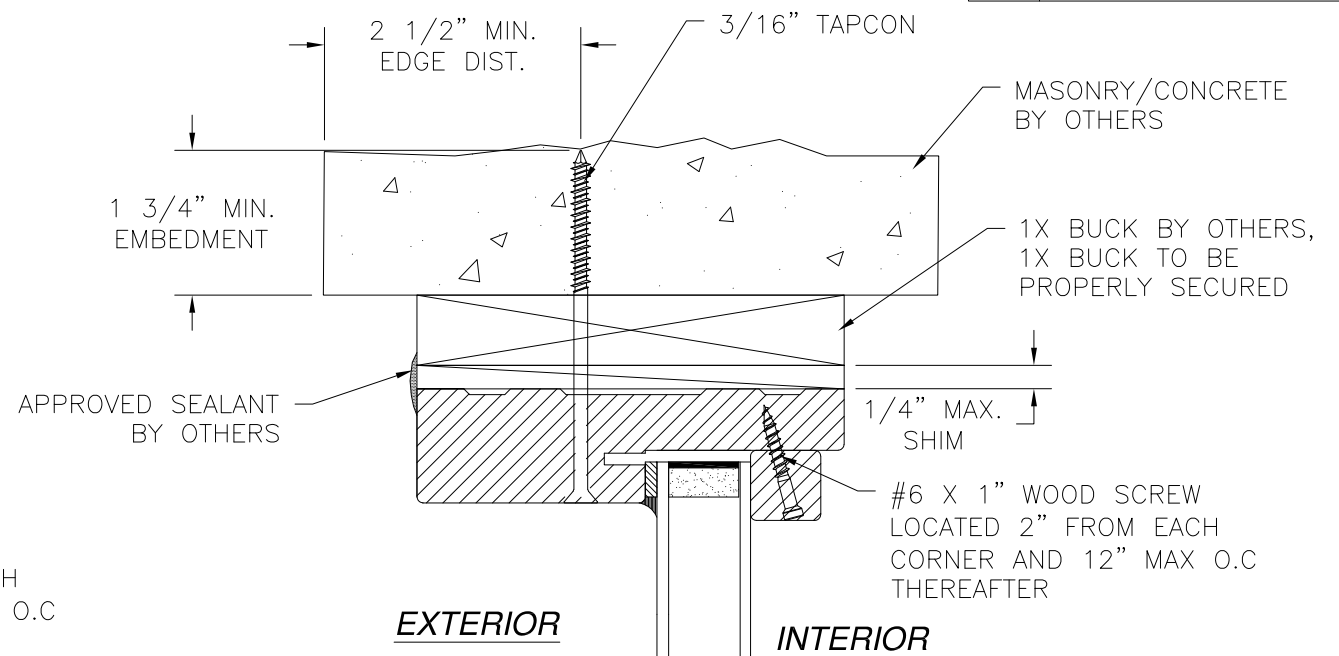
L. ROBERTO LOMAS P.E.
1432 WOODFORD RD LEWISVILLE, NC 27023
434-688-0609 rllomas@rlomaspe.com

Luis R. Lomas P.E.
FL No.: 62514

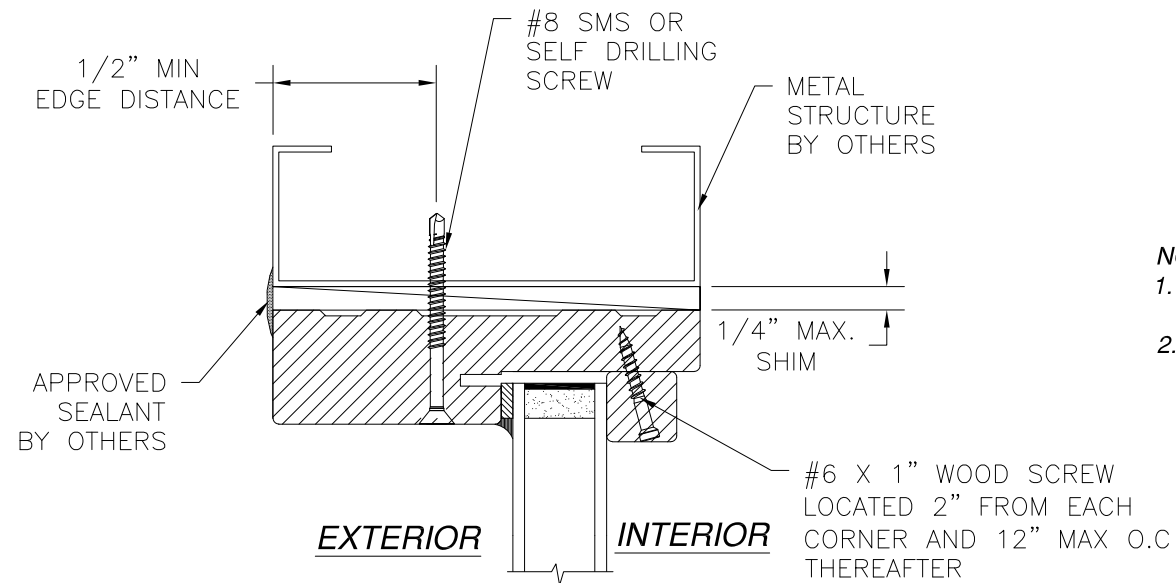
REVISIONS			
REV	DESCRIPTION	DATE	APPROVED
L	ADDED GLAZED FIR TRIMS	08/25/2021	R.L.



**TRANSOM DETAIL
INSWING/OUTSWING
2X BUCK/WOOD FRAMING INSTALLATION
HEAD SHOWN JAMBS SIMILAR**



**TRANSOM DETAIL
INSWING/OUTSWING
MASONRY/CONCRETE INSTALLATION
HEAD SHOWN JAMBS SIMILAR**



**TRANSOM DETAIL
INSWING/OUTSWING
METAL STRUCTURE INSTALLATION
HEAD SHOWN JAMBS SIMILAR**

- NOTES:**
1. INTERIOR AND EXTERIOR FINISHES, BY OTHERS, NOT SHOWN FOR CLARITY.
 2. PERIMETER AND JOINT SEALANT BY OTHERS TO BE DESIGNED IN ACCORDANCE WITH ASTM E2112

SIGNED: 09/08/2021

PROVIA, LLC.
2150 STATE ROUTE 39 WEST
SUGARCREEK, OH 44681

SIGNET IS/OS GLAZED FIBERGLASS DOOR
W/ AND W/OUT SIDELITES AND TRANSOM
INSTALLATION AND GLAZING DETAILS

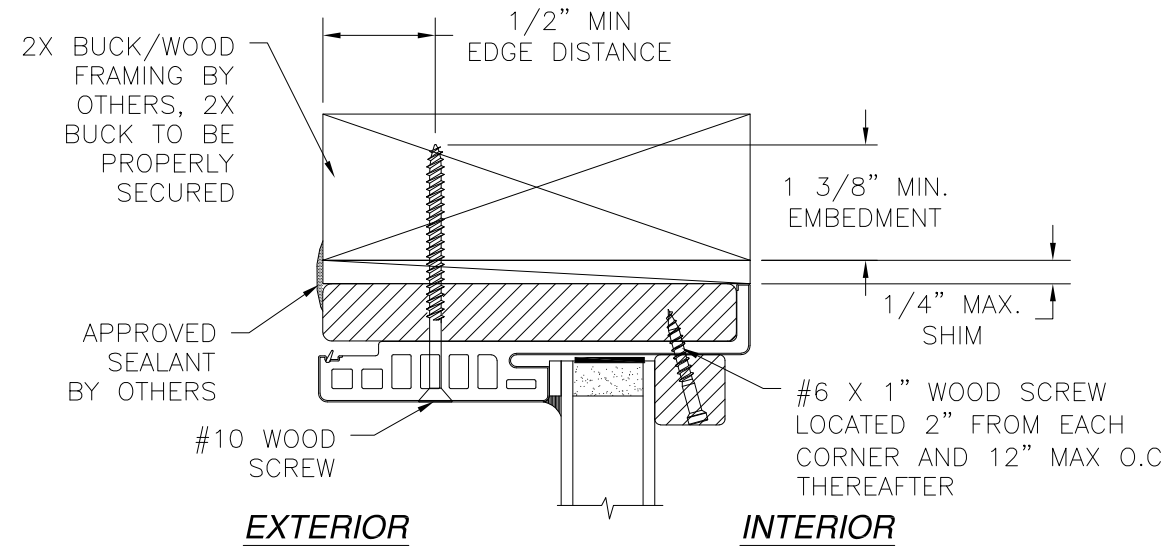
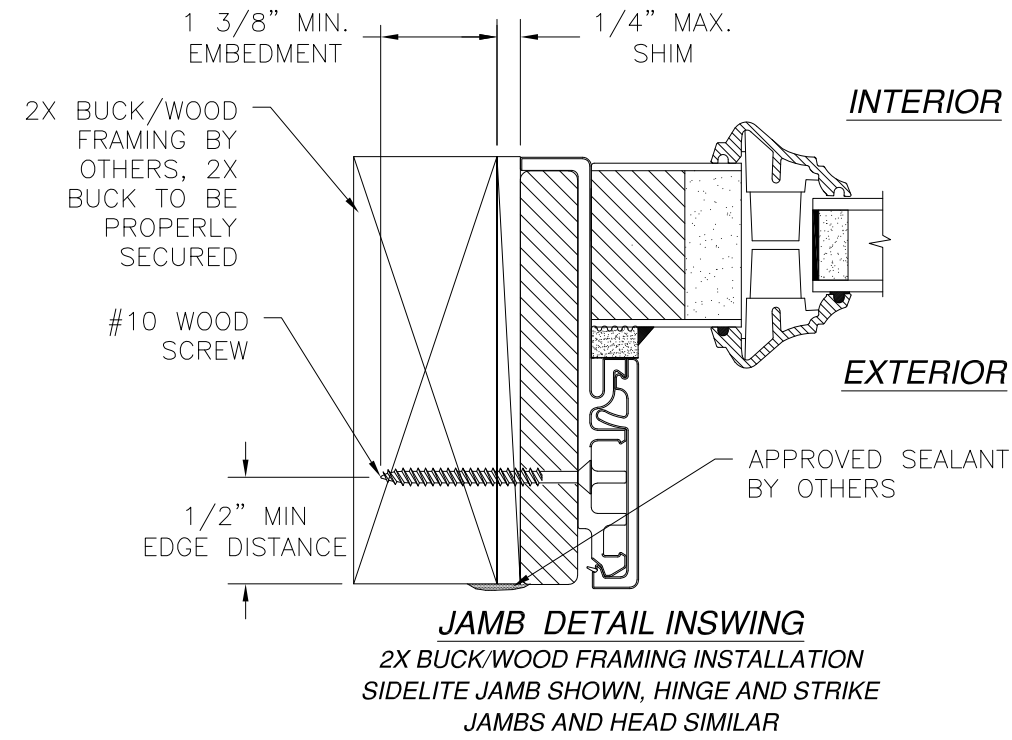
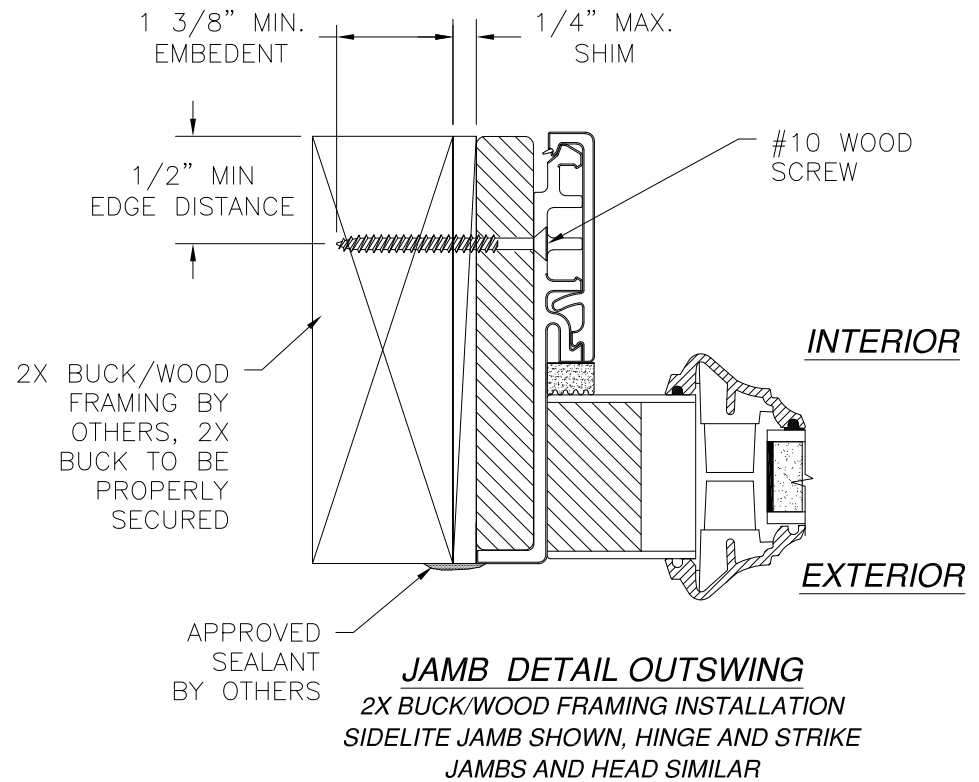
DRAWN: TJH	DWG NO. 08-00711	REV L
SCALE NTS	DATE 03/30/09	SHEET 11 OF 19

L. ROBERTO LOMAS P.E.
1432 WOODFORD RD LEWISVILLE, NC 27023
434-688-0609 rllomas@rlomaspe.com



Luis R. Lomas P.E.
FL No.: 62514

REVISIONS			
REV	DESCRIPTION	DATE	APPROVED
L	ADDED GLAZED FIR TRIMS	08/25/2021	R.L.



- NOTES:**
1. INTERIOR AND EXTERIOR FINISHES, BY OTHERS, NOT SHOWN FOR CLARITY.
 2. PERIMETER AND JOINT SEALANT BY OTHERS TO BE DESIGNED IN ACCORDANCE WITH ASTM E2112

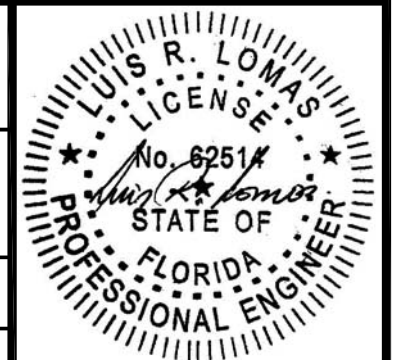
PROVIA, LLC.
 2150 STATE ROUTE 39 WEST
 SUGARCREEK, OH 44681

SIGNET IS/OS GLAZED FIBERGLASS DOOR
 W/ AND W/OUT SIDELITES AND TRANSOM
 INSTALLATION DETAILS W/FUSION FRAME

DRAWN: TJH	DWG NO. 08-00711	REV L
SCALE NTS	DATE 03/30/09	SHEET 12 OF 19

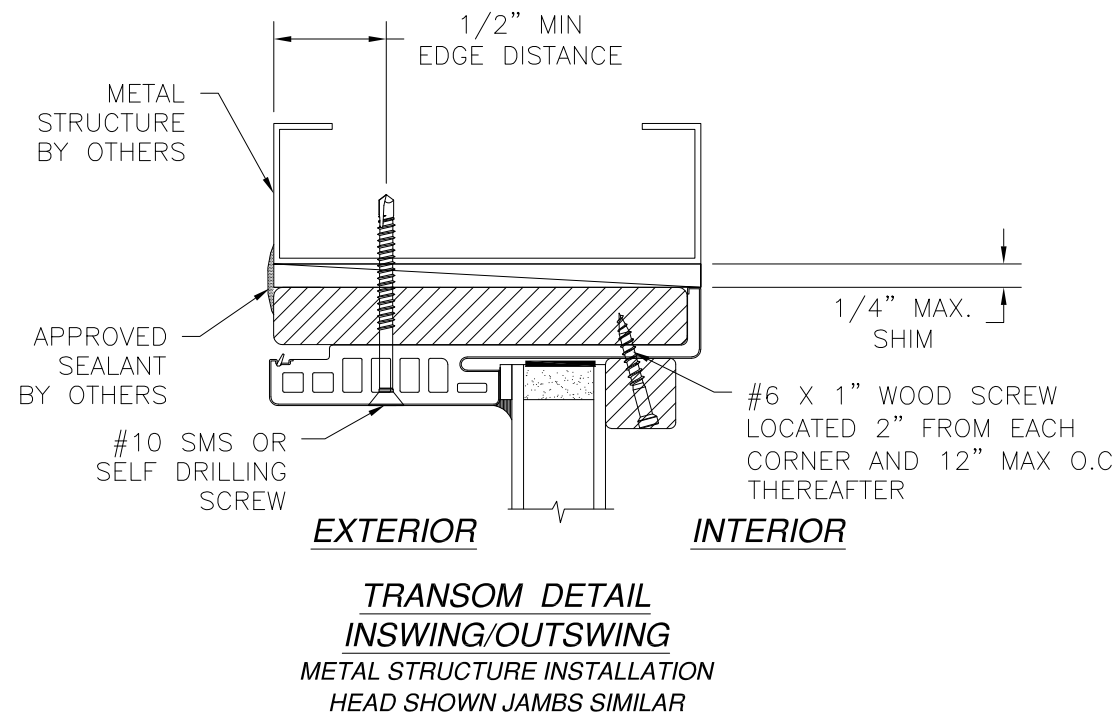
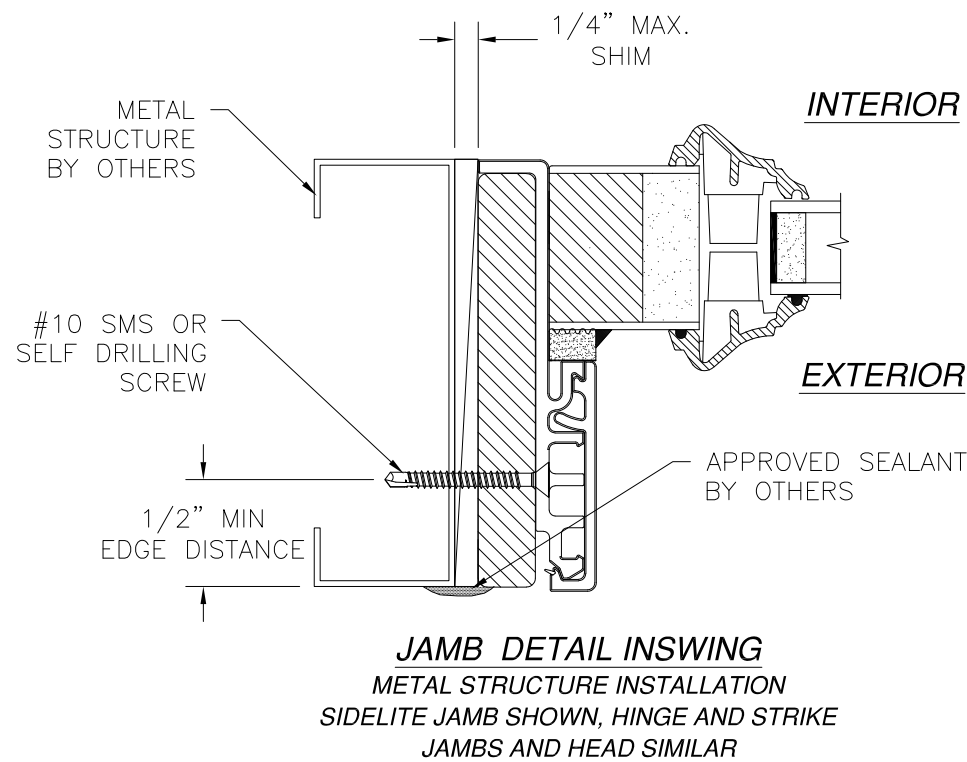
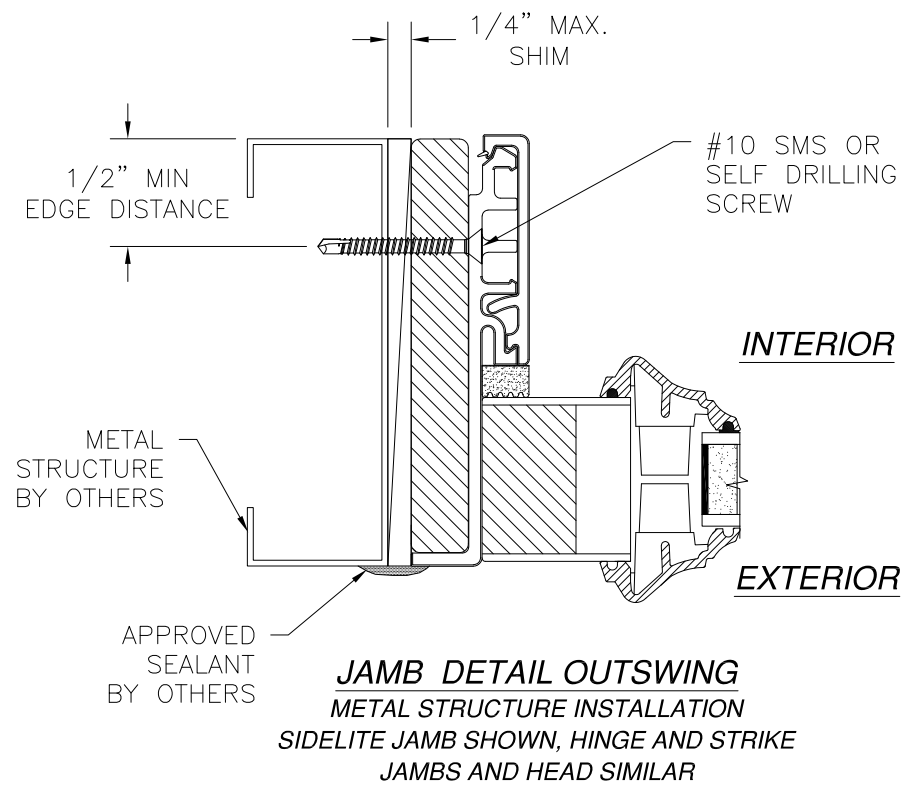
L. ROBERTO LOMAS P.E.
 1432 WOODFORD RD LEWISVILLE, NC 27023
 434-688-0609 rllomas@rlomaspe.com

SIGNED: 09/08/2021



Luis R. Lomas P.E.
 FL No.: 62514

REVISIONS			
REV	DESCRIPTION	DATE	APPROVED
L	ADDED GLAZED FIR TRIMS	08/25/2021	R.L.



- NOTES:**
1. INTERIOR AND EXTERIOR FINISHES, BY OTHERS, NOT SHOWN FOR CLARITY.
 2. PERIMETER AND JOINT SEALANT BY OTHERS TO BE DESIGNED IN ACCORDANCE WITH ASTM E2112

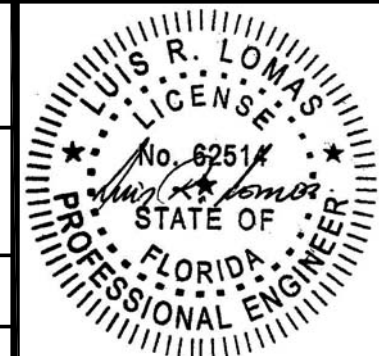
SIGNED: 09/08/2021

PROVIA, LLC.
2150 STATE ROUTE 39 WEST
SUGARCREEK, OH 44681

SIGNET IS/OS GLAZED FIBERGLASS DOOR
W/ AND W/OUT SIDELITES AND TRANSOM
INSTALLATION DETAILS W/FUSION FRAME

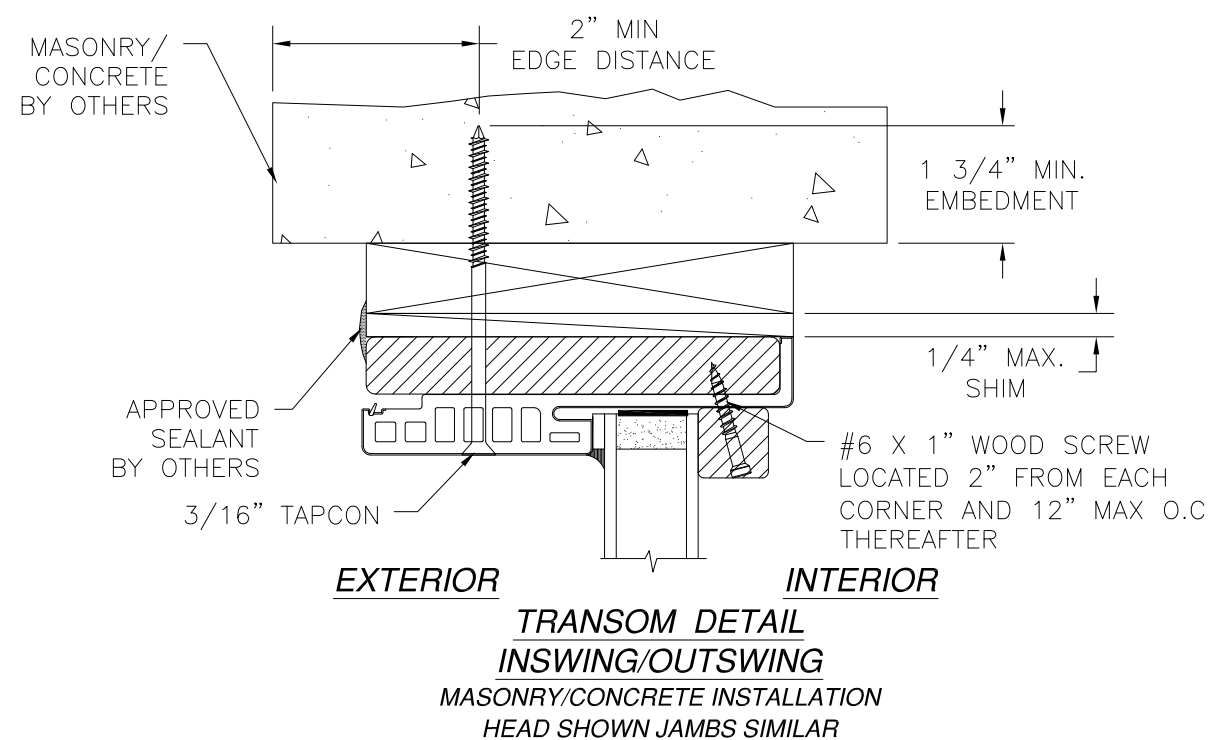
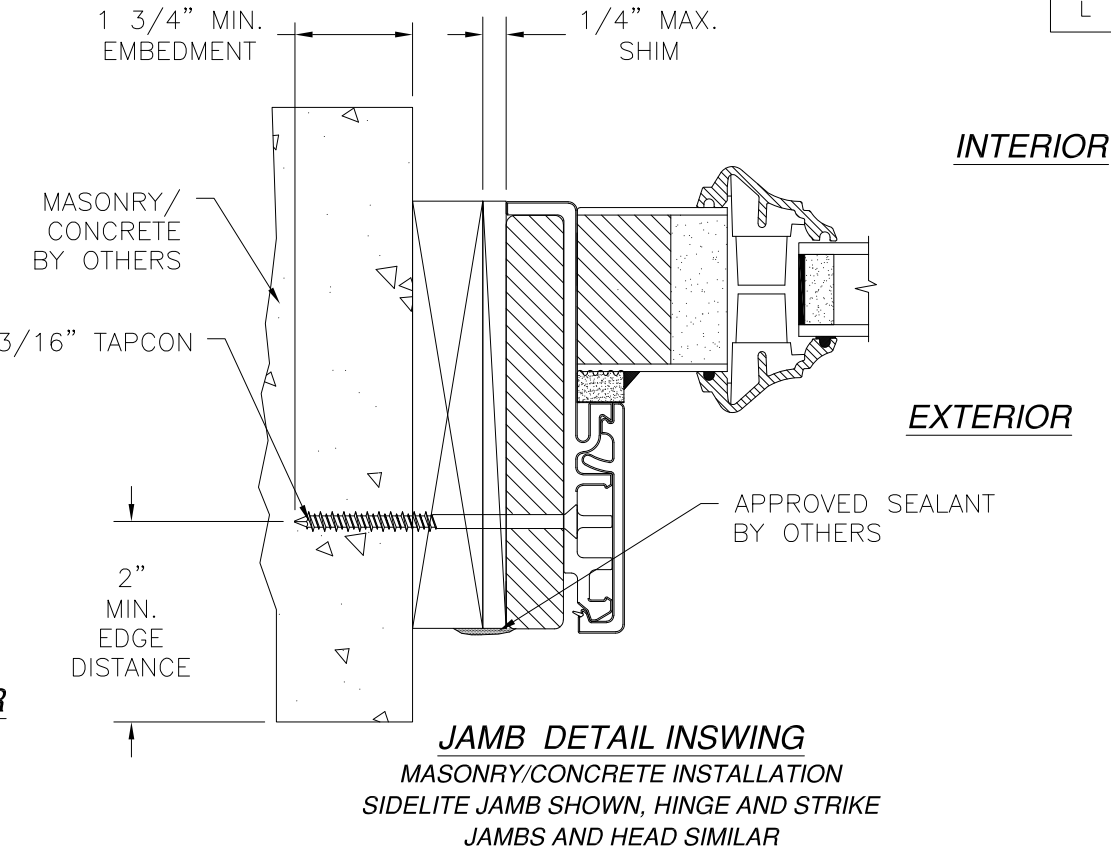
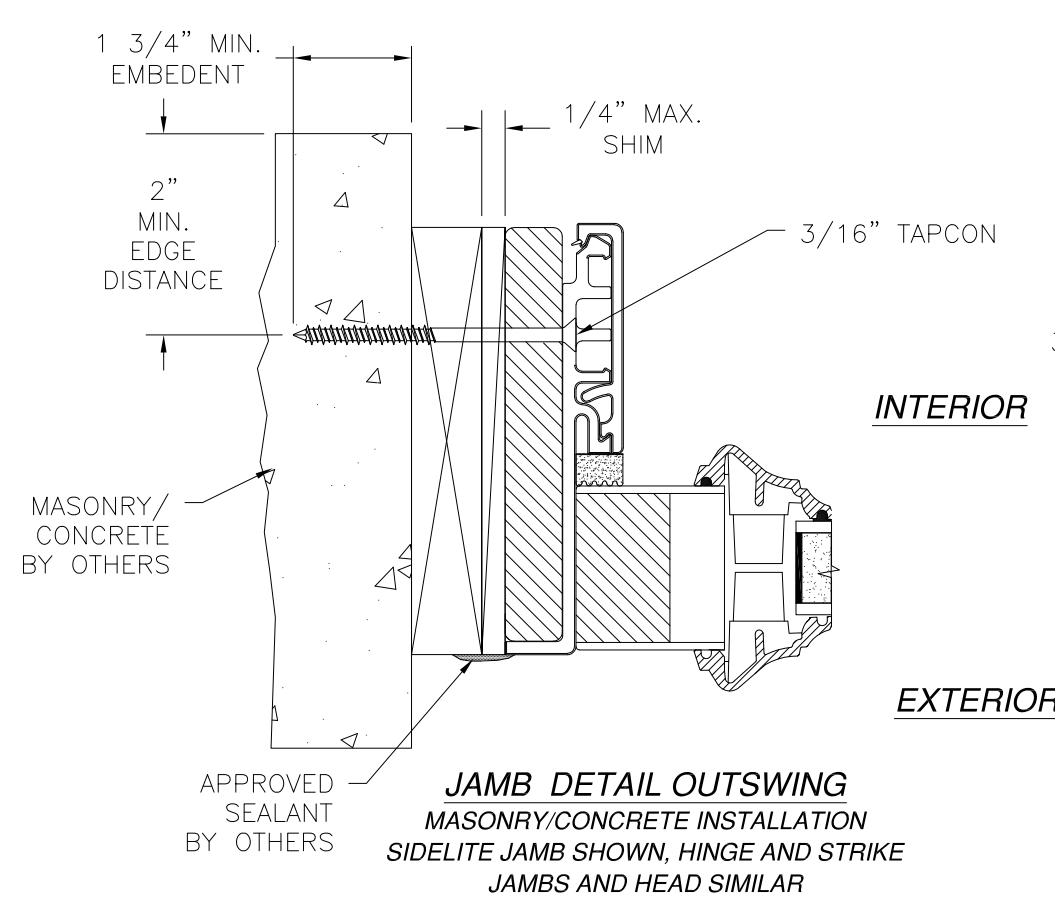
DRAWN: TJH	DWG NO. 08-00711	REV L
SCALE NTS	DATE 03/30/09	SHEET 13 OF 19

L. ROBERTO LOMAS P.E.
1432 WOODFORD RD LEWISVILLE, NC 27023
434-688-0609 rllomas@rlomaspe.com



Luis R. Lomas P.E.
FL No.: 62514

REVISIONS			
REV	DESCRIPTION	DATE	APPROVED
L	ADDED GLAZED FIR TRIMS	08/25/2021	R.L.



- NOTES:**
1. INTERIOR AND EXTERIOR FINISHES, BY OTHERS, NOT SHOWN FOR CLARITY.
 2. PERIMETER AND JOINT SEALANT BY OTHERS TO BE DESIGNED IN ACCORDANCE WITH ASTM E2112

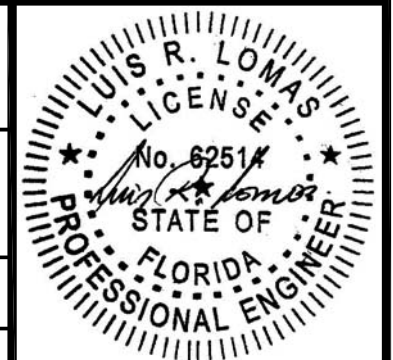
SIGNED: 09/08/2021

PROVIA, LLC.
2150 STATE ROUTE 39 WEST
SUGARCREEK, OH 44681

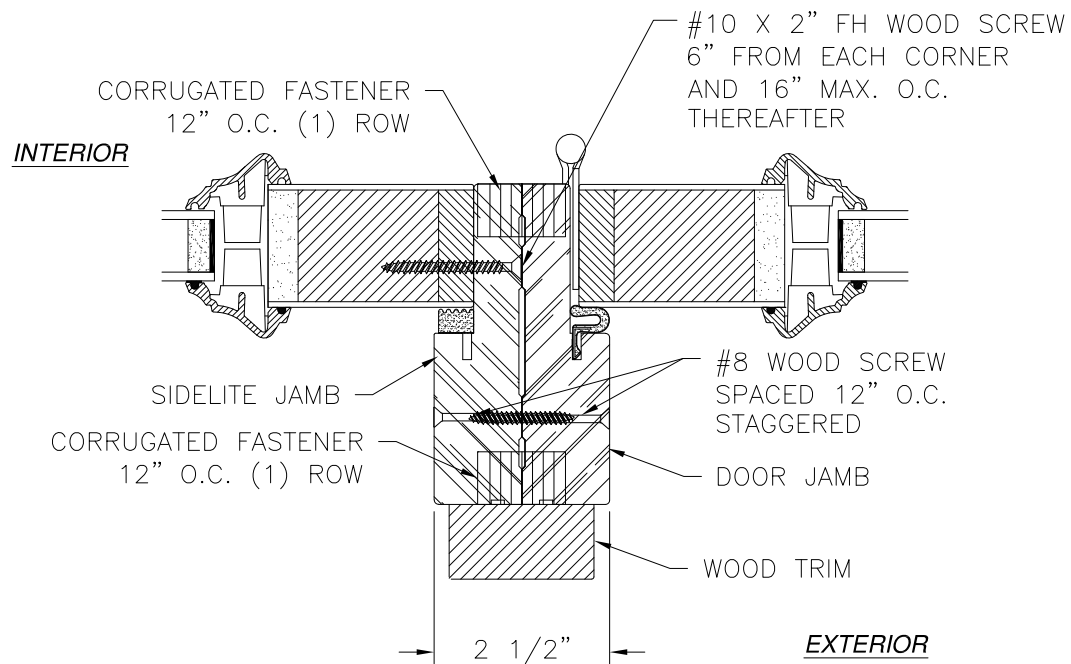
SIGNET IS/OS GLAZED FIBERGLASS DOOR
W/ AND W/OUT SIDELITES AND TRANSOM
INSTALLATION DETAILS W/FUSION FRAME

DRAWN: TJH	DWG NO. 08-00711	REV L
SCALE NTS	DATE 03/30/09	SHEET 14 OF 19

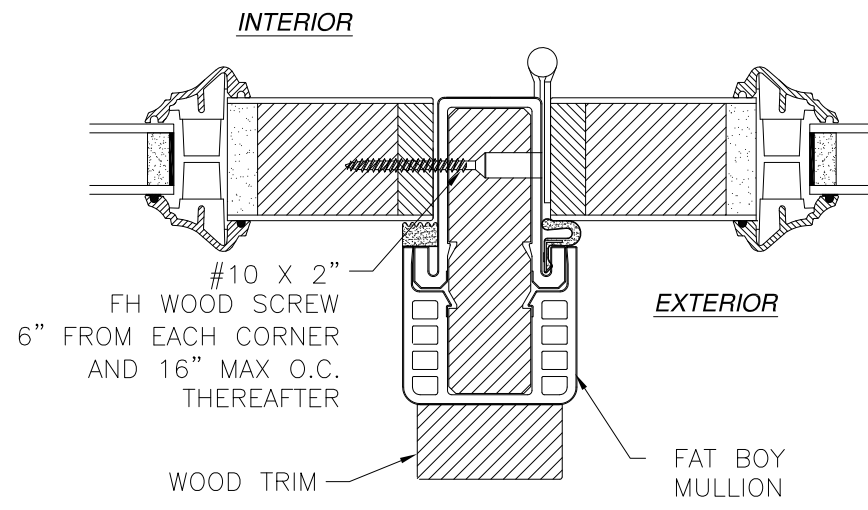
L. ROBERTO LOMAS P.E.
1432 WOODFORD RD LEWISVILLE, NC 27023
434-688-0609 rllomas@rlomaspe.com



Luis R. Lomas P.E.
FL No.: 62514

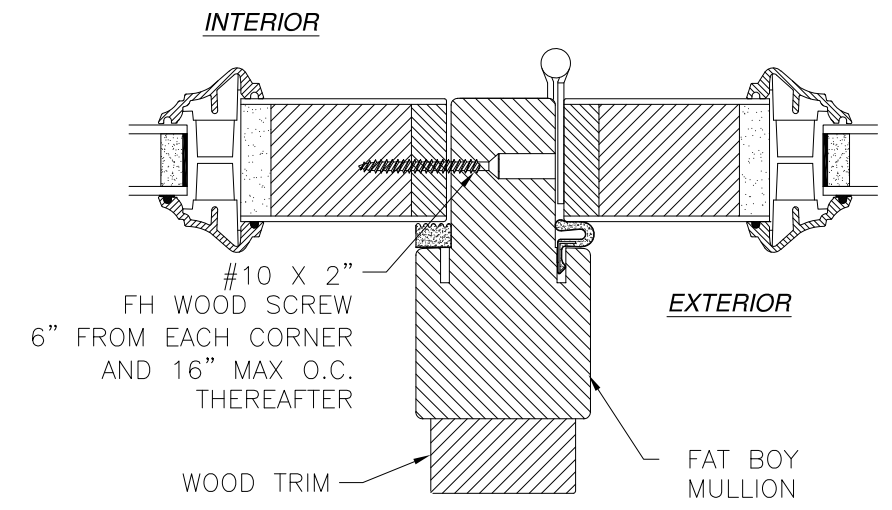


INSWING MULLION DETAIL
STANDARD FRAME SHOWN,
COMPOSITE AND FUSION FRAME SIMILAR

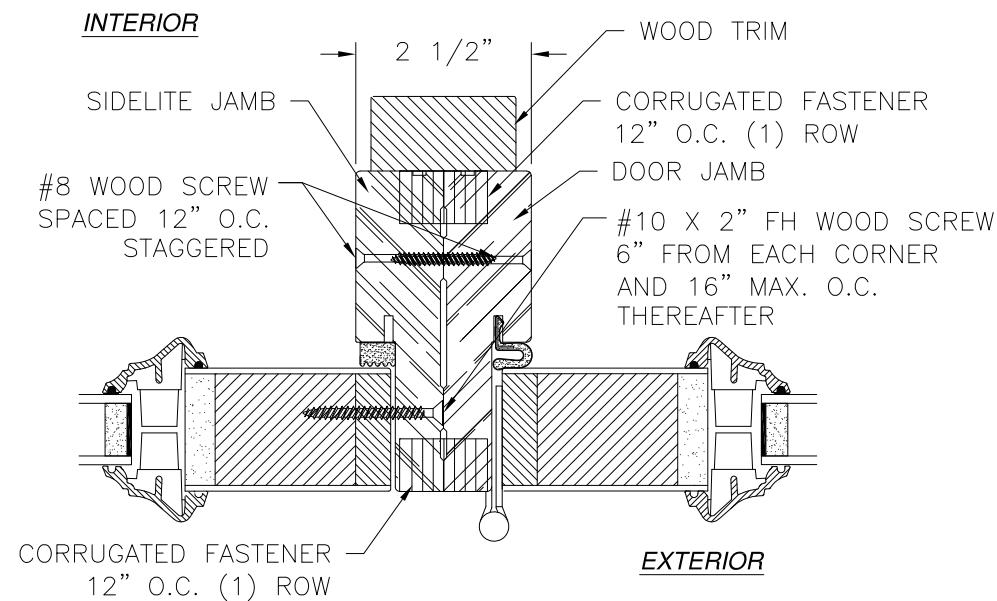


INSWING MULLION DETAIL
WITH HYBRID FAT BOY MULLION

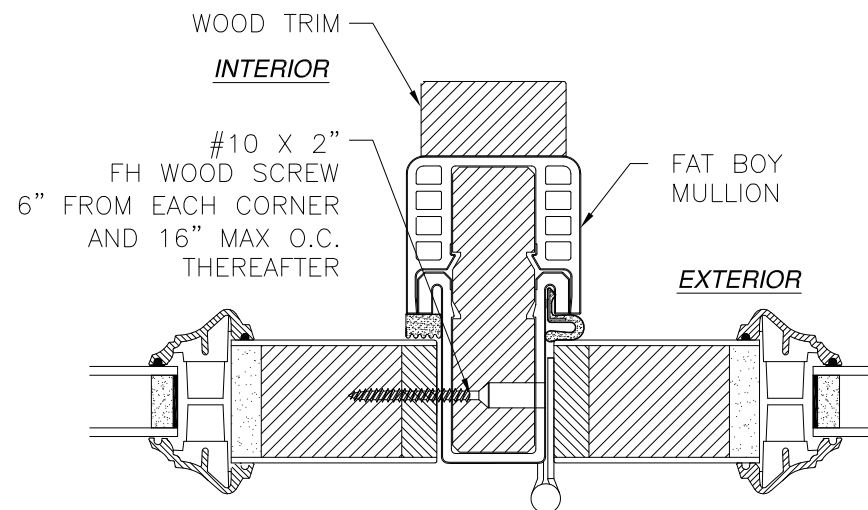
REVISIONS			
REV	DESCRIPTION	DATE	APPROVED
L	ADDED GLAZED FIR TRIMS	08/25/2021	R.L.



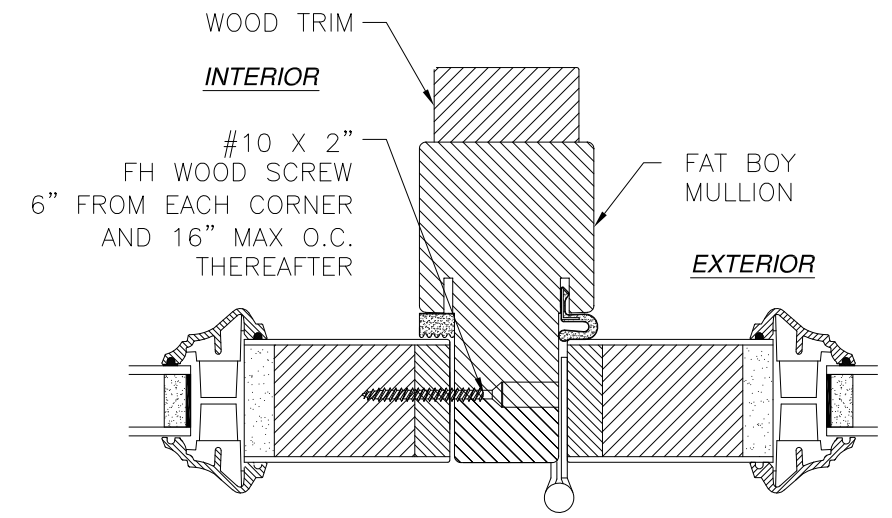
INSWING MULLION DETAIL
WITH FAT BOY MULLION



OUTSWING MULLION DETAIL
STANDARD FRAME SHOWN,
COMPOSITE AND FUSION FRAME SIMILAR



OUTSWING MULLION DETAIL
WITH HYBRID FAT BOY MULLION



OUTSWING MULLION DETAIL
WITH FAT BOY MULLION

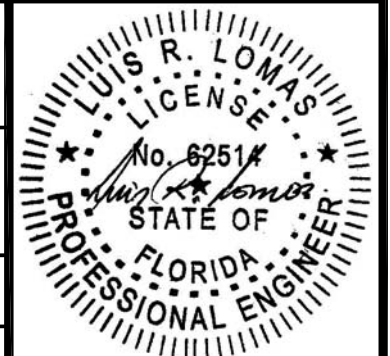
SIGNED: 09/08/2021

PROVIA, LLC.
2150 STATE ROUTE 39 WEST
SUGARCREEK, OH 44681

SIGNET IS/OS GLAZED FIBERGLASS DOOR
W/ AND W/OUT SIDELITES AND TRANSOM
MULLION INSTALLATION DETAILS

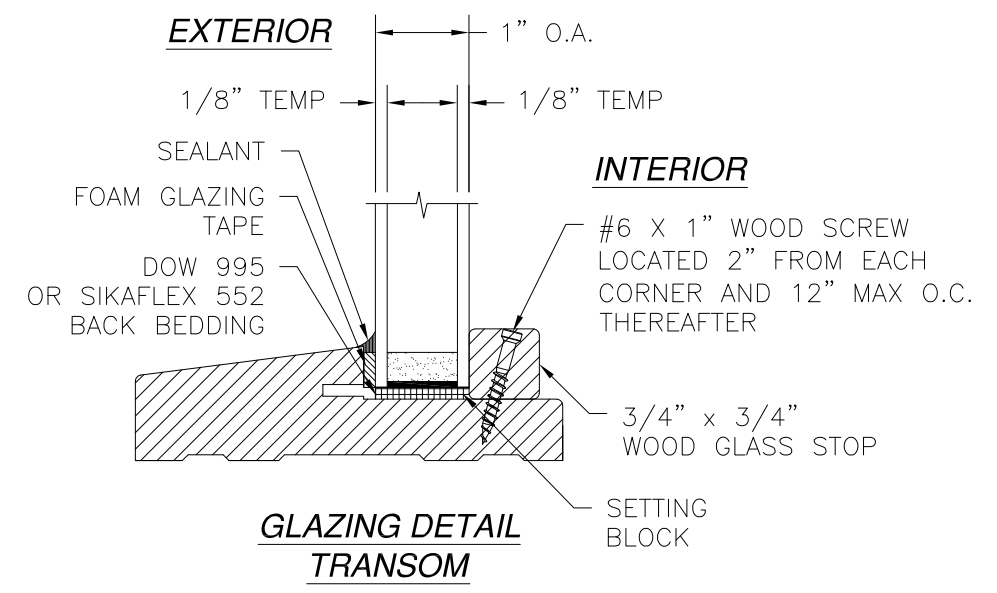
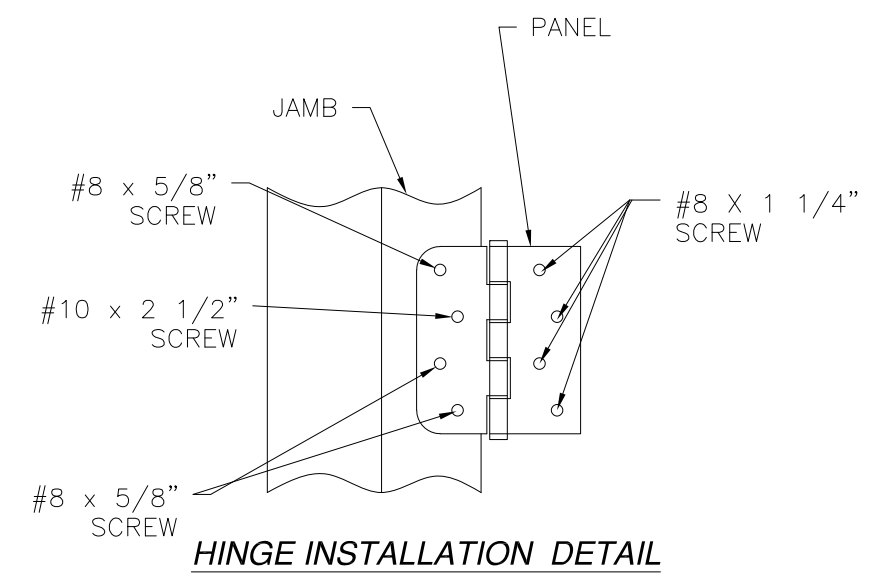
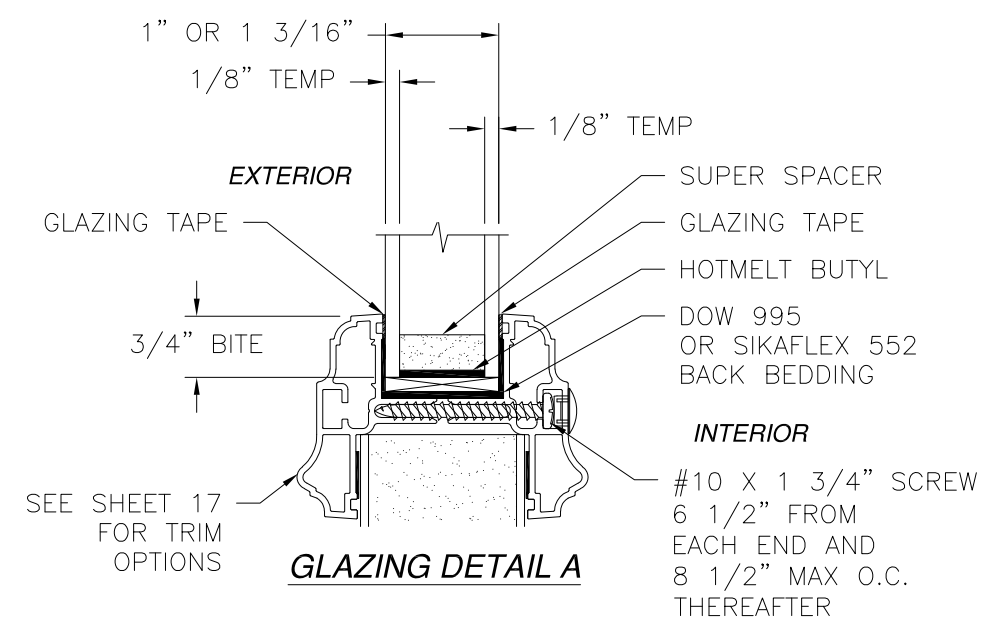
DRAWN: TJH	DWG NO. 08-00711	REV L
SCALE NTS	DATE 03/30/09	SHEET 15 OF 19

L. ROBERTO LOMAS P.E.
1432 WOODFORD RD LEWISVILLE, NC 27023
434-688-0609 rllomas@lrlomaspe.com



Luis R. Lomas P.E.
FL No.: 62514

REVISIONS			
REV	DESCRIPTION	DATE	APPROVED
L	ADDED GLAZED FIR TRIMS	08/25/2021	R.L.



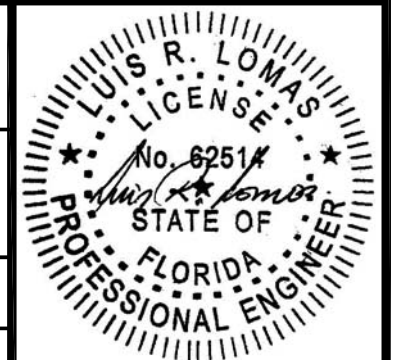
PROVIA, LLC.
2150 STATE ROUTE 39 WEST
SUGARCREEK, OH 44681

SIGNET IS/OS GLAZED FIBERGLASS DOOR
W/ AND W/OUT SIDELITES AND TRANSOM
GLAZED AND HINGE DETAILS

DRAWN: TJH	DWG NO. 08-00711	REV L
SCALE NTS	DATE 03/30/09	SHEET 16 OF 19

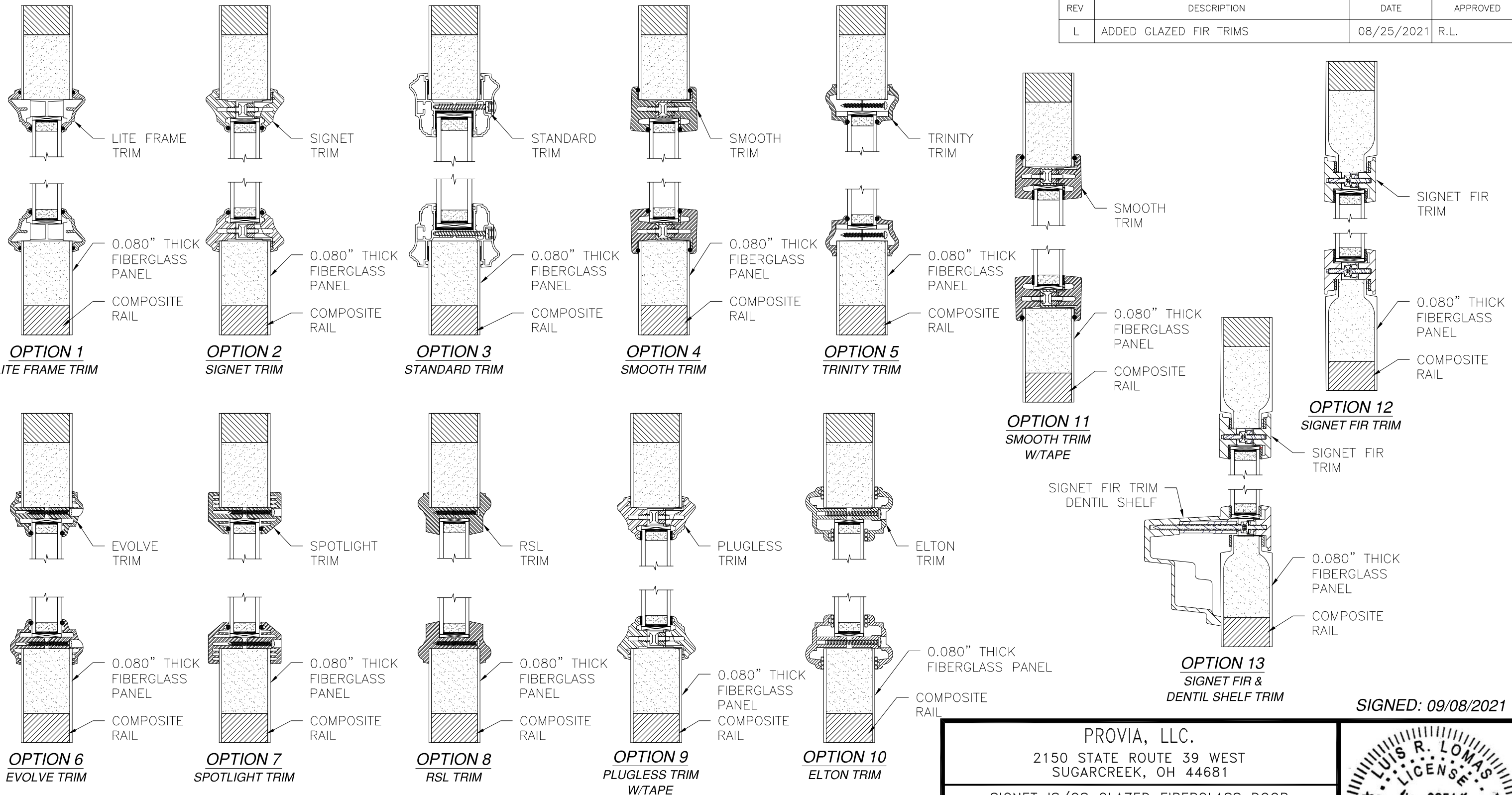
L. ROBERTO LOMAS P.E.
1432 WOODFORD RD LEWISVILLE, NC 27023
434-688-0609 rllomas@lrlomaspe.com

SIGNED: 09/08/2021



Luis R. Lomas P.E.
FL No.: 62514

REVISIONS			
REV	DESCRIPTION	DATE	APPROVED
L	ADDED GLAZED FIR TRIMS	08/25/2021	R.L.



APPROVED SLABS AND TRIMS

PROVIA, LLC.
 2150 STATE ROUTE 39 WEST
 SUGARCREEK, OH 44681

SIGNET IS/OS GLAZED FIBERGLASS DOOR
 W/ AND W/OUT SIDELITES AND TRANSOM
 APPROVED SLABS AND TRIMS

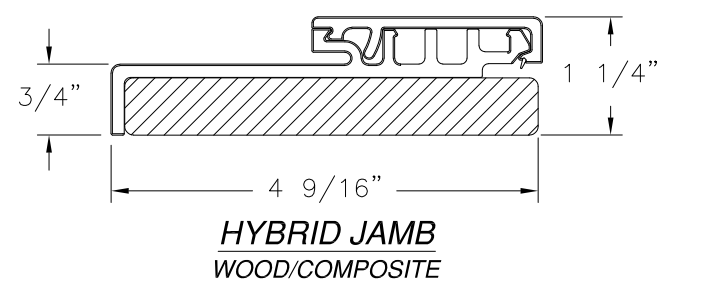
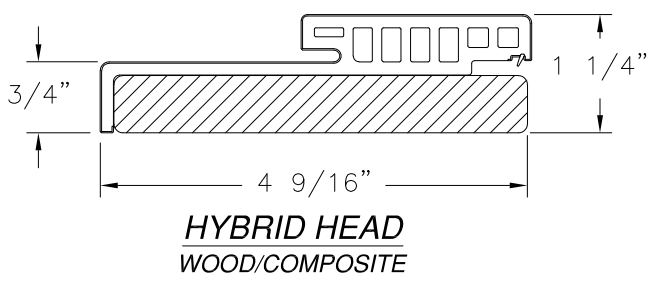
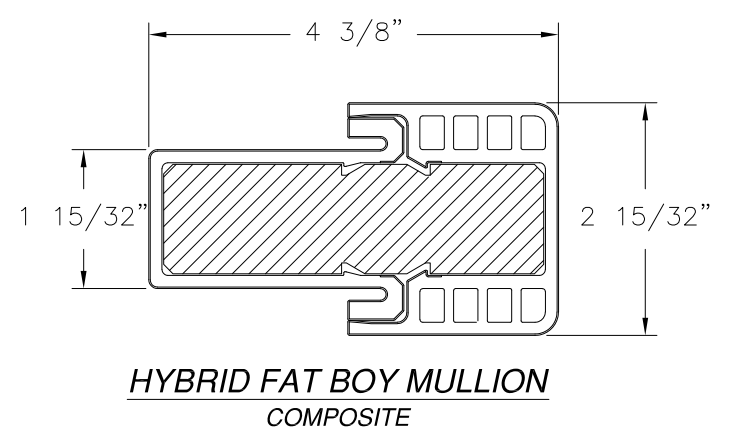
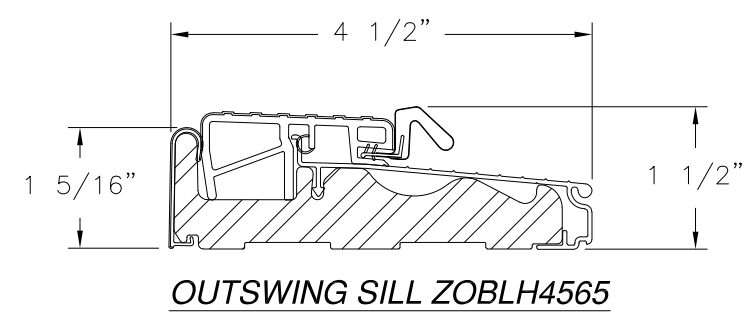
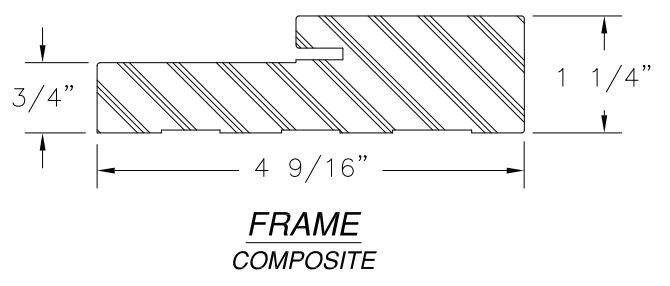
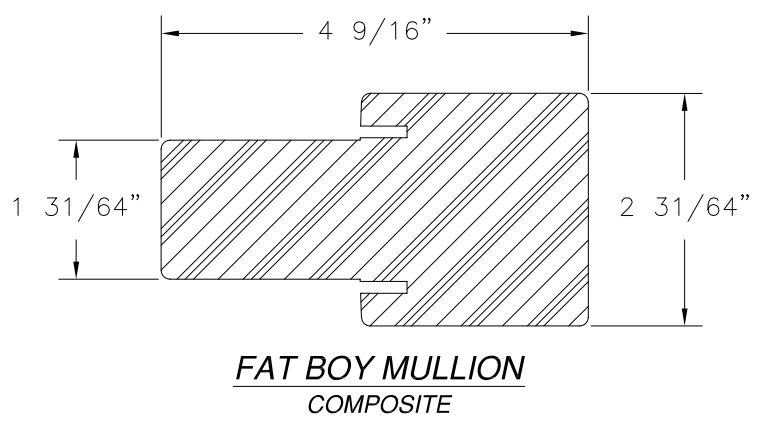
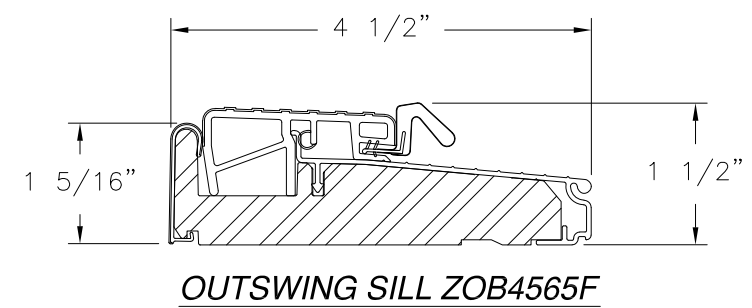
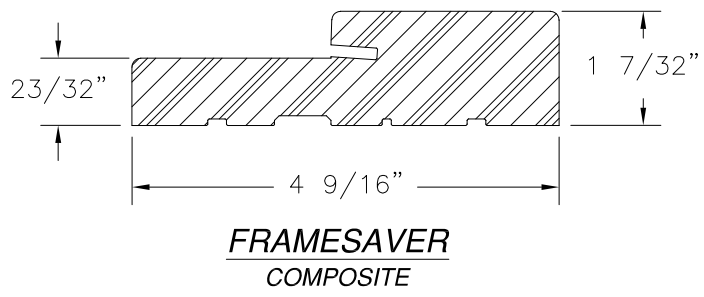
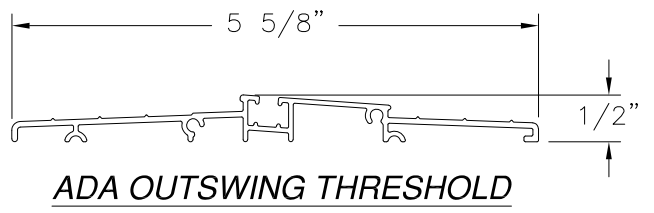
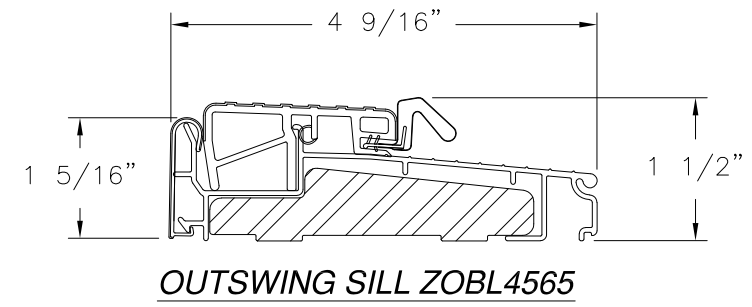
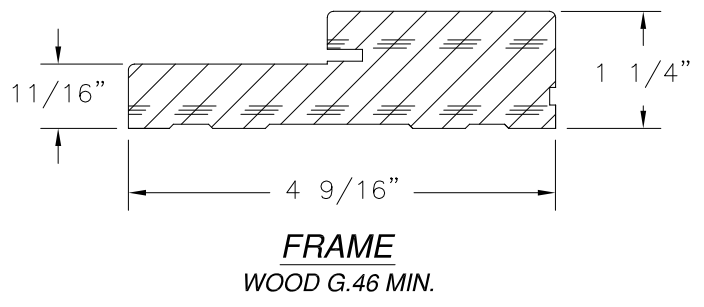
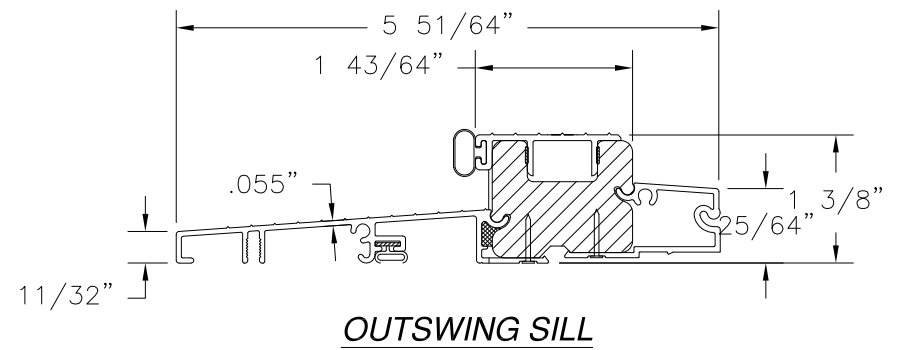
DRAWN: TJH	DWG NO. 08-00711	REV L
SCALE NTS	DATE 03/30/09	SHEET 17 OF 19

L. ROBERTO LOMAS P.E.
 1432 WOODFORD RD LEWISVILLE, NC 27023
 434-688-0609 rllomas@rlomaspe.com

SIGNED: 09/08/2021

Luis R. Lomas P.E.
 FL No.: 62514

REVISIONS			
REV	DESCRIPTION	DATE	APPROVED
L	ADDED GLAZED FIR TRIMS	08/25/2021	R.L.



SIGNED: 09/08/2021

PROVIA, LLC.
2150 STATE ROUTE 39 WEST
SUGARCREEK, OH 44681

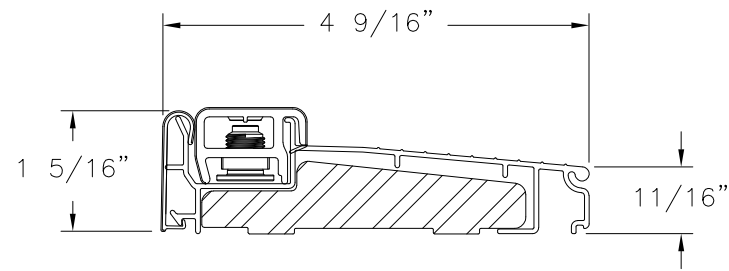
SIGNET IS/OS GLAZED FIBERGLASS DOOR
W/ AND W/OUT SIDELITES AND TRANSOM
COMPONENTS

DRAWN: TJH	DWG NO. 08-00711	REV L
SCALE NTS	DATE 03/30/09	SHEET 18 OF 19

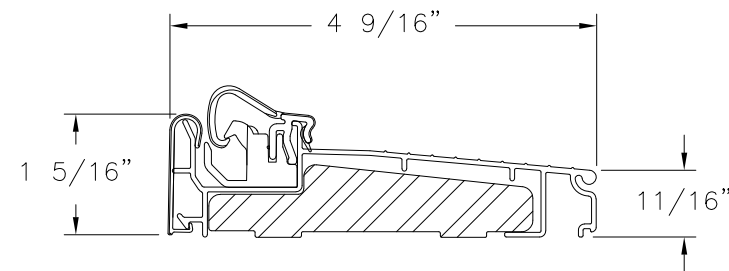
L. ROBERTO LOMAS P.E.
1432 WOODFORD RD LEWISVILLE, NC 27023
434-688-0609 rllomas@rlomaspe.com

Luis R. Lomas P.E.
FL No.: 62514

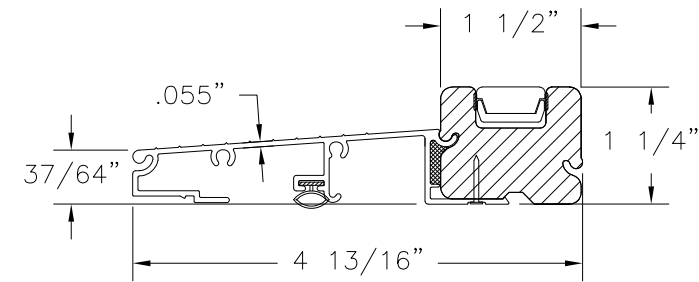
REVISIONS			
REV	DESCRIPTION	DATE	APPROVED
L	ADDED GLAZED FIR TRIMS	08/25/2021	R.L.



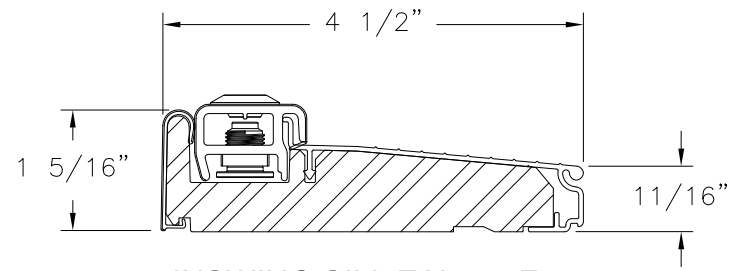
INSWING SILL ZAIL4565



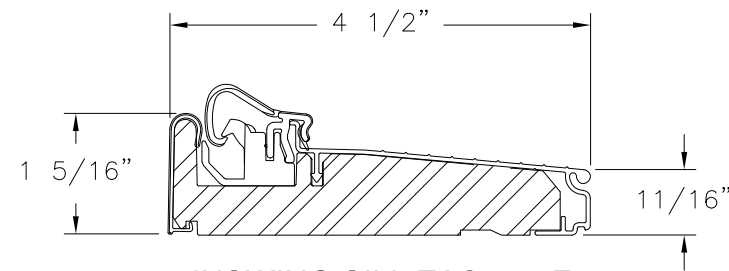
INSWING SILL ZAACL4565



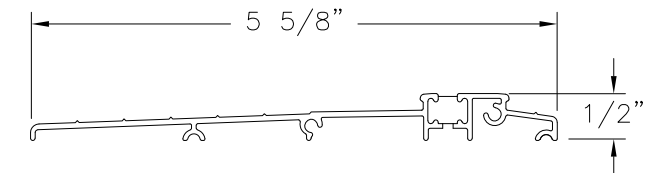
INSWING SILL



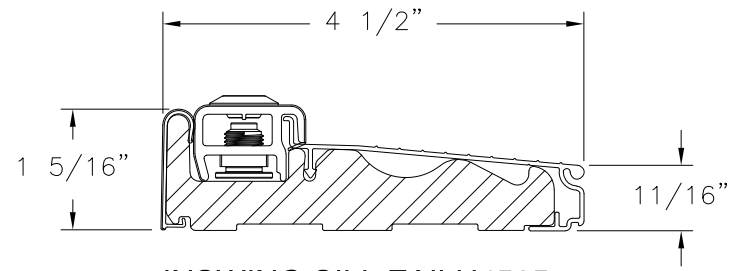
INSWING SILL ZAI4565F



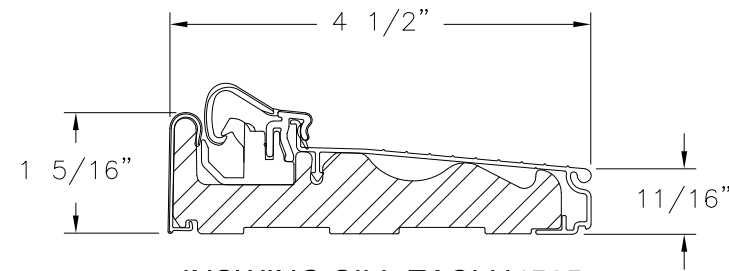
INSWING SILL ZAC4565F



ADA INSWING THRESHOLD



INSWING SILL ZAILH4565



INSWING SILL ZAACLH4565

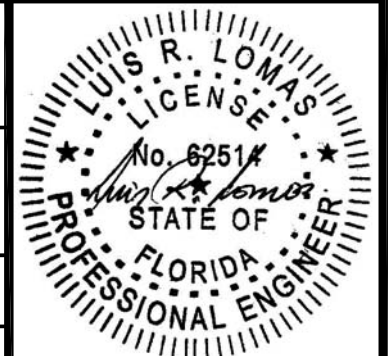
SIGNED: 09/08/2021

PROVIA, LLC.
2150 STATE ROUTE 39 WEST
SUGARCREEK, OH 44681

SIGNET IS/OS GLAZED FIBERGLASS DOOR
W/ AND W/OUT SIDELITES AND TRANSOM
COMPONENTS

DRAWN: TJH	DWG NO. 08-00711	REV L
SCALE NTS	DATE 03/30/09	SHEET 19 OF 19

L. ROBERTO LOMAS P.E.
1432 WOODFORD RD LEWISVILLE, NC 27023
434-688-0609 rllomas@lrlomaspe.com



Luis R. Lomas P.E.
FL No.: 62514