

REVISIONS			
REV	DESCRIPTION	DATE	APPROVED
L	ADDED GLAZED FIR TRIMS	08/26/2021	R.L.

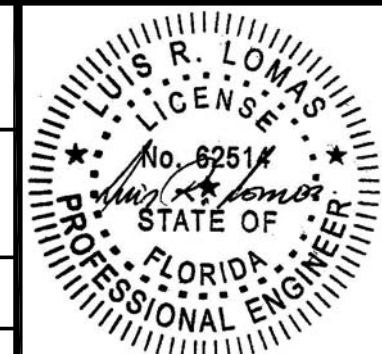
NOTES:

- 1) THE PRODUCT SHOWN HEREIN IS DESIGNED AND MANUFACTURED TO COMPLY WITH REQUIREMENTS OF FLORIDA BUILDING CODE.
- 2) WOOD FRAMING AND MASONRY OPENING TO BE DESIGNED AND ANCHORED TO PROPERLY TRANSFER ALL LOADS TO STRUCTURE. WOOD FRAMING AND MASONRY OPENING IS THE RESPONSIBILITY OF THE ARCHITECT OR ENGINEER OF RECORD.
- 3) APPROVED IMPACT PROTECTIVE SYSTEM IS REQUIRED FOR THIS PRODUCT IN WIND BORNE DEBRIS REGIONS.
- 4) UNITS MUST BE GLAZED PER ASTM E1300, WITH SAFETY GLAZING.
- 5) ALLOWABLE STRESS INCREASE OF 1/3 WAS NOT USED IN THE DESIGN OF THE PRODUCT SHOWN HEREIN. WIND LOAD DURATION FACTOR Cd=1.6 WAS USED FOR WOOD ANCHOR CALCULATIONS.
- 6) SHIM AS REQUIRED AT EACH INSTALLATION ANCHOR WITH LOAD BEARING SHIM. SHIM WHERE SPACE OF 1/16" OR GREATER OCCURS. MAXIMUM ALLOWABLE SHIM STACK TO BE 1/4".
- 7) FOR ANCHORING INTO 2X BUCK OR WOOD FRAMING USE #10 WOOD SCREW OF SUFFICIENT LENGTH TO ACHIEVE A 1 3/8" MINIMUM EMBEDMENT INTO SUBSTRATE. LOCATE ANCHORS AS SHOWN IN ANCHORING LAYOUT AND INSTALLATION DETAILS.
- 8) FOR ANCHORING INTO MASONRY/CONCRETE USE 3/16" TAPCON OF SUFFICIENT LENGTH TO ACHIEVE A 1 3/4" MINIMUM EMBEDMENT INTO SUBSTRATE WITH 2" MINIMUM EDGE DISTANCE. LOCATE ANCHORS AS SHOWN IN ANCHORING LAYOUT AND INSTALLATION DETAILS.
- 9) FOR ANCHORING INTO METAL STRUCTURE USE #10 SMS OR SELF DRILLING SCREW WITH SUFFICIENT LENGTH TO ACHIEVE 3 THREADS MINIMUM BEYOND STRUCTURE INTERIOR WALL. LOCATE ANCHORS AS SHOWN IN ELEVATIONS AND INSTALLATION DETAILS.
- 10) ALL FASTENERS TO BE CORROSION RESISTANT.
- 11) INSTALLATION ANCHOR CAPACITIES FOR PRODUCTS HEREIN ARE BASED ON SUBSTRATE MATERIAL WITH THE FOLLOWING PROPERTIES:
 - A. WOOD – G=0.42 MINIMUM SPECIFIC GRAVITY
 - B. CONCRETE – 3,000PSI MINIMUM COMPRESSIVE STRENGTH.
 - C. MASONRY – GROUT FILLED STRENGTH CONFORMANCE TO ASTM C-90, GRADE N, TYPE 1 (OR GREATER).
 - D. METAL STRUCTURE – STEEL 18GA (.048") FY=33KSI/FU=52KSI
- 12) FRAME MATERIAL: WOOD WITH G .46 MINIMUM SPECIFIC GRAVITY OR FRAMESAVER OR FUSION FRAME.
- 13) DOOR PANEL MATERIAL: .080" THICK FIBERGLASS WITH WOOD TOP RAIL AND COMPOSITE BOTTOM RAIL.
- 14) MAXIMUM DOOR PANEL SIZE = 35 3/4" x 83".
- 15) SIDELITES AND TRANSOMS ARE DIRECT SET GLASS.
- 16) UNITS MAY BE INSTALLED WITH EITHER SCHLAGE F-SERIES DOOR KNOB AND B-SERIES OR F-SERIES DEADBOLT OR EMTEK RESIDENTIAL GRADE DOOR HANDLE ASSEMBLY OR MULTI-POINT LOCK HANDLE ASSEMBLY BY TRILENNIUM, SEE HARDWARE SCHEDULE SHEET 3 FOR APPROVED HARDWARE.

TABLE OF CONTENTS	
SHEET NO.	DESCRIPTION
1	NOTES
2 – 3	ELEVATIONS
4	ADDITIONAL INSWING/OUTSWING CONFIGURATIONS
5 – 6	ANCHORING LAYOUTS
7 – 13	INSTALLATION DETAILS
14 – 17	APPROVED SLABS, MULLION DETAILS AND COMPONENTS

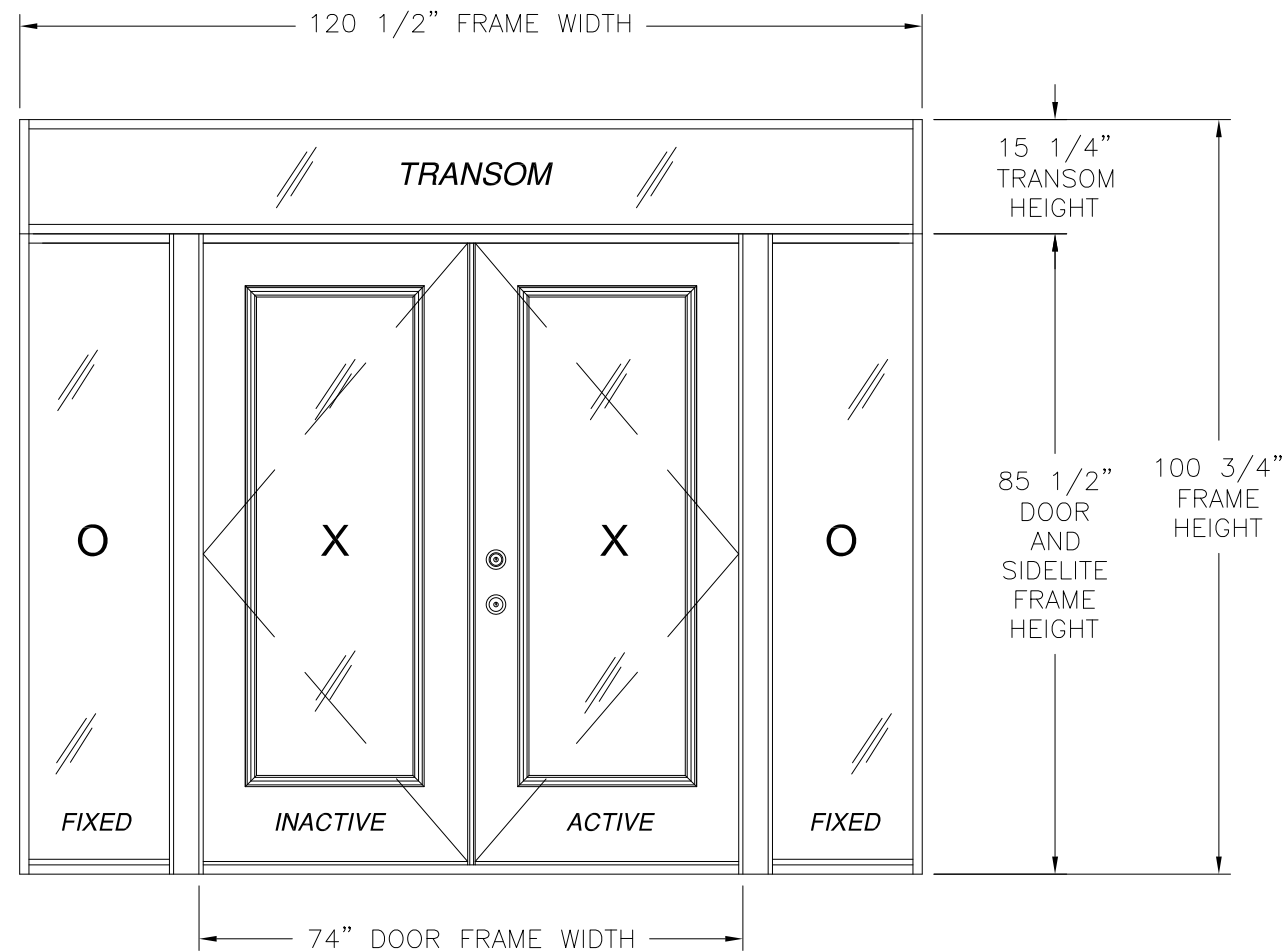
PROVIA, LLC. 2150 STATE ROUTE 39 WEST SUGARCREEK, OH 44681		
SIGNET IS/OS GLAZED FIBERGLASS DOOR W/ AND W/OUT SIDELITES AND TRANSOM NOTES		
DRAWN: TJH	DWG NO. 08-00713	REV L
SCALE NTS	DATE 03/31/09	SHEET 1 OF 17
L. ROBERTO LOMAS P.E. 1432 WOODFORD RD LEWISVILLE, NC 27023 434-688-0609 rllomas@rlomaspe.com		

SIGNED: 09/08/2021



Luis R. Lomas P.E.
FL No.: 62514

REVISIONS			
REV	DESCRIPTION	DATE	APPROVED
L	ADDED GLAZED FIR TRIMS	08/26/2021	R.L.



<u>HARDWARE SCHEDULE</u>	
A.	F-SERIES LOCK ASSEMBLY DOOR KNOB BY SCHLAGE.
B.	B-SERIES DEADBOLT ASSEMBLY BY SCHLAGE.
C.	F-SERIES DEADBOLT ASSEMBLY BY SCHLAGE.
D.	RESIDENTIAL GRADE DOOR HANDLE ASSEMBLY BY EMTEK (ADDITIONAL).
E.	MULTI-POINT LOCK HANDLE ASSEMBLY BY TRILENNIUM (ADDITIONAL).
F.	INSWING HURRICANE ASTRAGAL BY ENDURA.
G.	OUTSWING HURRICANE ASTRAGAL BY ENDURA.
H.	(4) 4" x 4" BALL BEARING HINGES BY BY PENROD.
I.	(3) 4" x 4" SPRING BOMMER HINGES BY PENROD.

SIGNET INSWING FIBERGLASS DOUBLE DOOR W/SIDELITES AND TRANSOM
EXTERIOR VIEW

DESIGN PRESSURE RATING	IMPACT RATING
+45.0PSF / -55.0PSF	NONE
THIS SYSTEM WAS NOT TESTED FOR WATER INFILTRATION AND IS TO BE INSTALLED ONLY WHERE THE WATER REQUIREMENT IS NOT NEEDED	

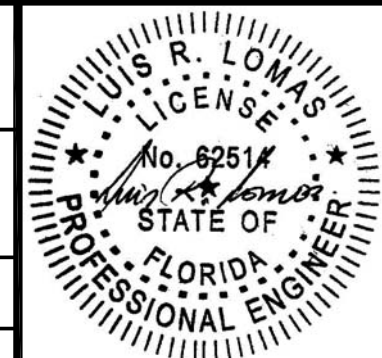
FOR ADDITIONAL APPROVED CONFIGURATIONS SEE SHEET 4.
35 3/4" x 83" PANEL SIZE SHOWN. OTHER SIZES ARE APPROVED AS LONG AS INDIVIDUAL PANEL AREA DOES NOT EXCEED 20.60 FT²

NOTES:

1. DOOR PANEL SIZE: 35 3/4" X 83"
2. SIDELITE PANEL SIZE: 21 1/4" X 85 1/2"
3. DOOR PANEL D.L.O.: 21 1/4" X 63 1/4"
4. SIDELITE PANEL D.L.O.: 18 3/4" X 81 15/16"
5. TRANSOM D.L.O.: 118" X 12 3/4"

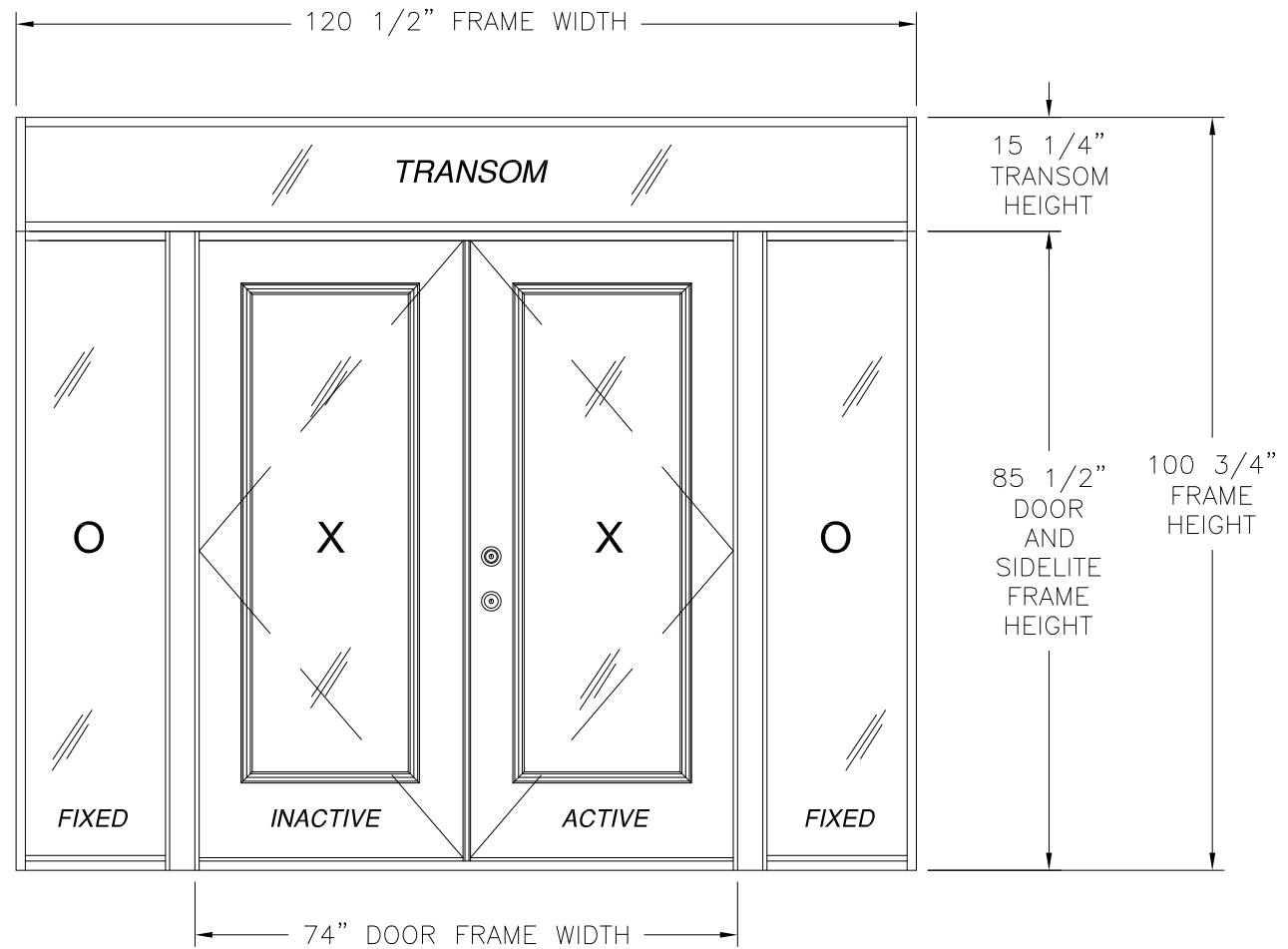
SIGNED: 09/08/2021

PROVIA, LLC. 2150 STATE ROUTE 39 WEST SUGARCREEK, OH 44681		
SIGNET IS/OS GLAZED FIBERGLASS DOOR W/ AND W/OUT SIDELITES AND TRANSOM INSWING ELEVATION		
DRAWN: TJH	DWG NO. 08-00713	REV L
SCALE NTS	DATE 03/31/09	SHEET 2 OF 17
L. ROBERTO LOMAS P.E. 1432 WOODFORD RD LEWISVILLE, NC 27023 434-688-0609 rllomas@rlomaspe.com		



Luis R. Lomas P.E.
FL No.: 62514

REVISIONS			
REV	DESCRIPTION	DATE	APPROVED
L	ADDED GLAZED FIR TRIMS	08/26/2021	R.L.



HARDWARE SCHEDULE	
A.	F-SERIES LOCK ASSEMBLY DOOR KNOB BY SCHLAGE.
B.	B-SERIES DEADBOLT ASSEMBLY BY SCHLAGE.
C.	F-SERIES DEADBOLT ASSEMBLY BY SCHLAGE.
D.	RESIDENTIAL GRADE DOOR HANDLE ASSEMBLY BY EMTEK (ADDITIONAL).
E.	MULTI-POINT LOCK HANDLE ASSEMBLY BY TRILENNIUM (ADDITIONAL).
F.	IN SWING HURRICANE ASTRAGAL BY ENDURA.
G.	OUT SWING HURRICANE ASTRAGAL BY ENDURA.
H.	(4) 4" x 4" BALL BEARING HINGES BY BY PENROD.
I.	(3) 4" x 4" SPRING BOMMER HINGES BY PENROD.

SIGNET OUTSWING FIBERGLASS DOUBLE DOOR W/SIDELITES AND TRANSOM
EXTERIOR VIEW

DESIGN PRESSURE RATING	IMPACT RATING
+45.0PSF / -55.0PSF	NONE
THIS SYSTEM WAS NOT TESTED FOR WATER INFILTRATION AND IS TO BE INSTALLED ONLY WHERE THE WATER REQUIREMENT IS NOT NEEDED	

FOR ADDITIONAL APPROVED CONFIGURATIONS SEE SHEET 4.
35 3/4" x 83" PANEL SIZE SHOWN. OTHER SIZES ARE APPROVED AS LONG AS INDIVIDUAL PANEL AREA DOES NOT EXCEED 20.60 FT²

- NOTES:
- DOOR PANEL SIZE: 35 3/4" X 83"
 - SIDELITE PANEL SIZE: 21 1/4" X 85 1/2"
 - DOOR PANEL D.L.O.: 21 1/4" X 63 1/4"
 - SIDELITE PANEL D.L.O.: 18 3/4" X 81 15/16"
 - TRANSOM D.L.O.: 118" X 12 3/4"

SIGNED: 09/08/2021

PROVIA, LLC.
2150 STATE ROUTE 39 WEST
SUGARCREEK, OH 44681

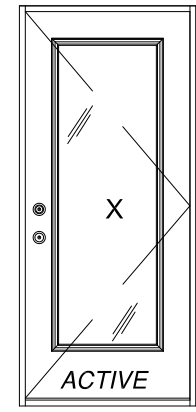
SIGNET IS/OS GLAZED FIBERGLASS DOOR
W/ AND W/OUT SIDELITES AND TRANSOM
OUTSWING ELEVATION AND HARDWARE

DRAWN: TJH	DWG NO. 08-00713	REV L
SCALE NTS	DATE 03/31/09	SHEET 3 OF 17

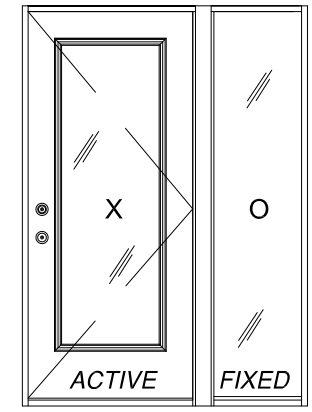
L. ROBERTO LOMAS P.E.
1432 WOODFORD RD LEWISVILLE, NC 27023
434-688-0609 rllomas@rlomaspe.com

Luis R. Lomas P.E.
FL No.: 62514

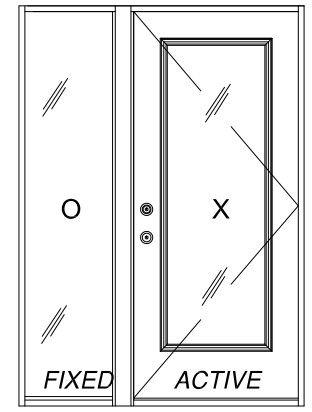
REVISIONS			
REV	DESCRIPTION	DATE	APPROVED
L	ADDED GLAZED FIR TRIMS	08/26/2021	R.L.



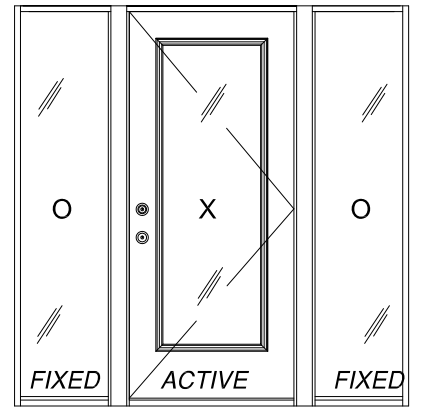
SINGLE



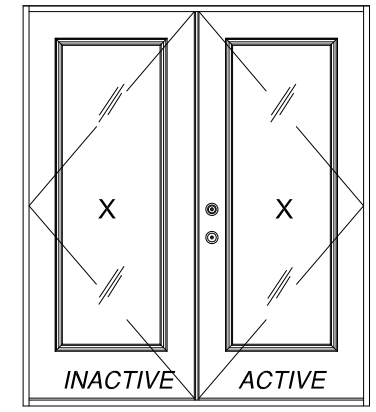
SINGLE W/SIDELITE



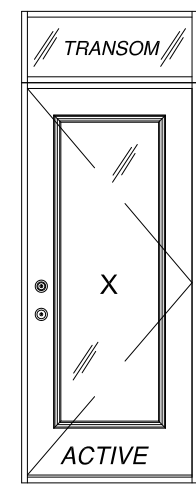
SINGLE W/SIDELITE



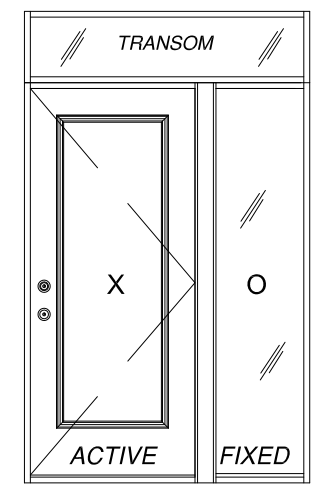
SINGLE W/SIDELITES



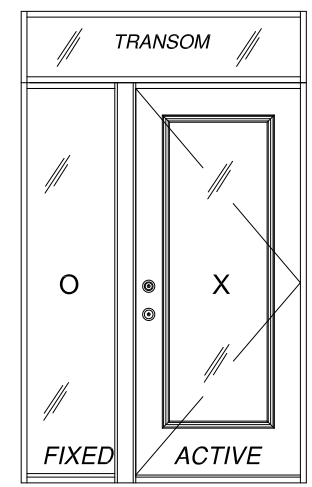
DOUBLE



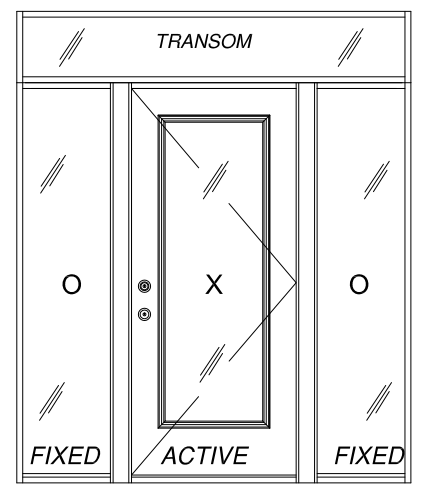
SINGLE W/TRANSOM



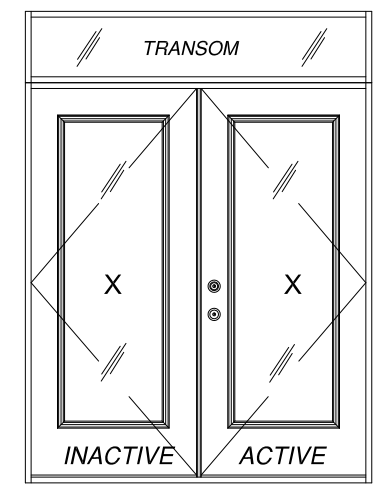
SINGLE W/SIDELITE & TRANSOM



SINGLE W/SIDELITE & TRANSOM



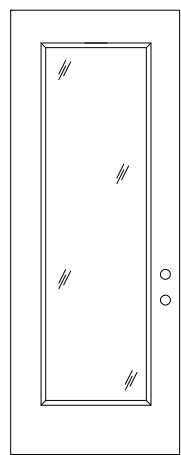
SINGLE W/SIDELITES & TRANSOM



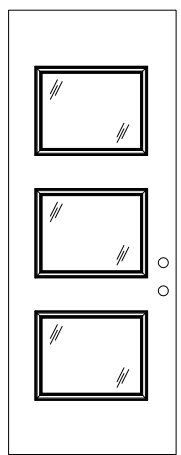
DOUBLE W/TRANSOM

NOTE:
ALL APPROVED CONFIGURATIONS CAN BE
INSWING OR OUTSWING MODELS. ALL
APPROVED CONFIGURATIONS ARE SHOWN AS
RIGHT HAND ACTIVE, LEFT HAND ACTIVE IS
ALSO APPROVED.

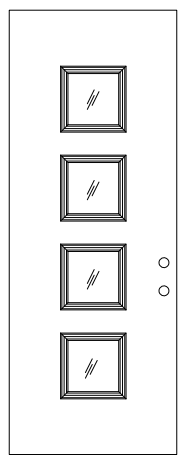
APPROVED LITE CONFIGURATIONS



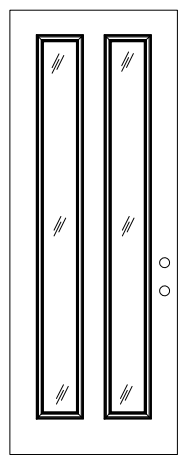
FULL LITE



3 LITE



4 LITE



2 LITE

LITE CONFIGURATIONS SHOWN ARE FOR REFERENCE ONLY. MULTIPLE LITE
CONFIGURATIONS ARE APPROVED AS LONG AS LITE SIZE DOES NOT EXCEED 9.2 FT²

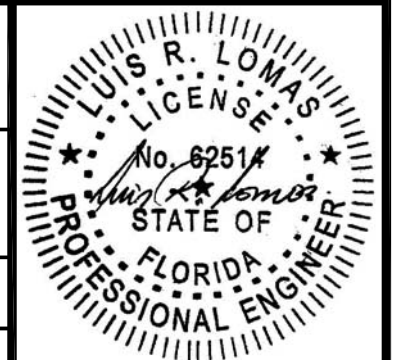
SIGNED: 09/08/2021

PROVIA, LLC.
2150 STATE ROUTE 39 WEST
SUGARCREEK, OH 44681

SIGNET IS/OS GLAZED FIBERGLASS DOOR
W/ AND W/OUT SIDELITES AND TRANSOM
INSWING/OUTSWING ADDITIONAL CONFIGURATIONS

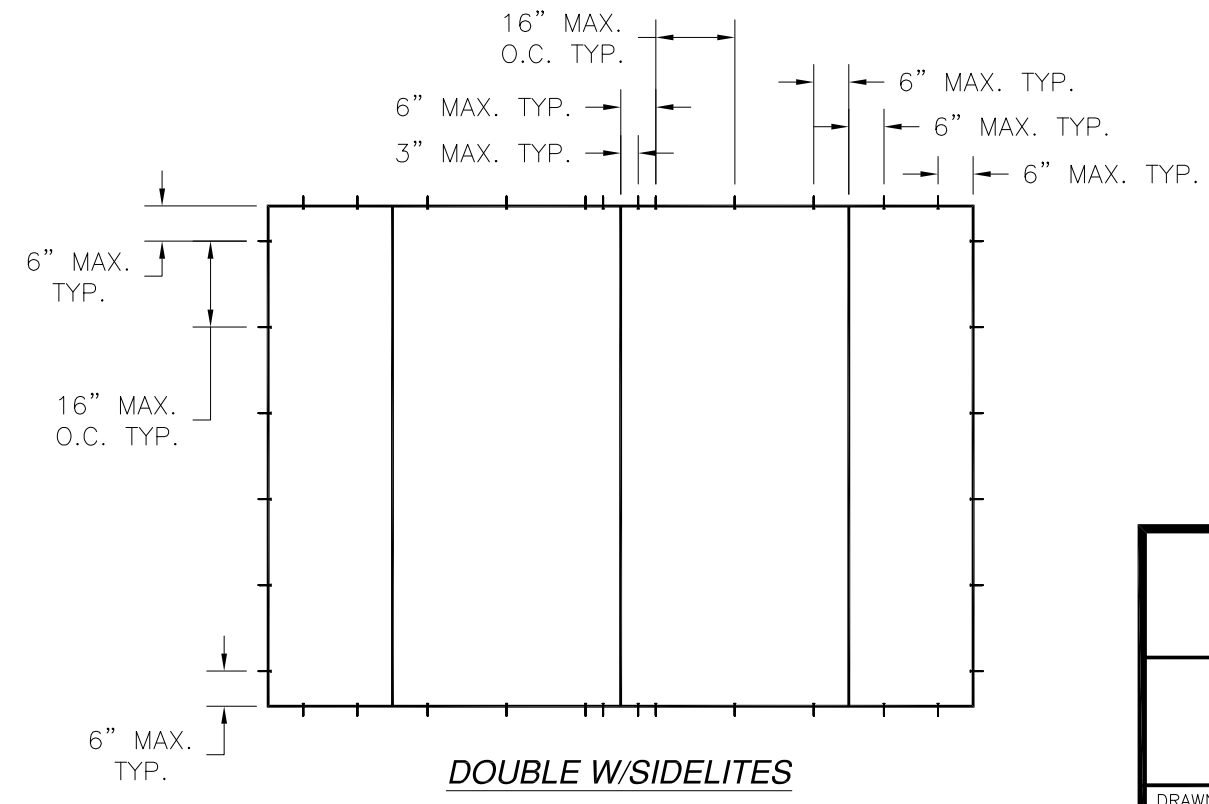
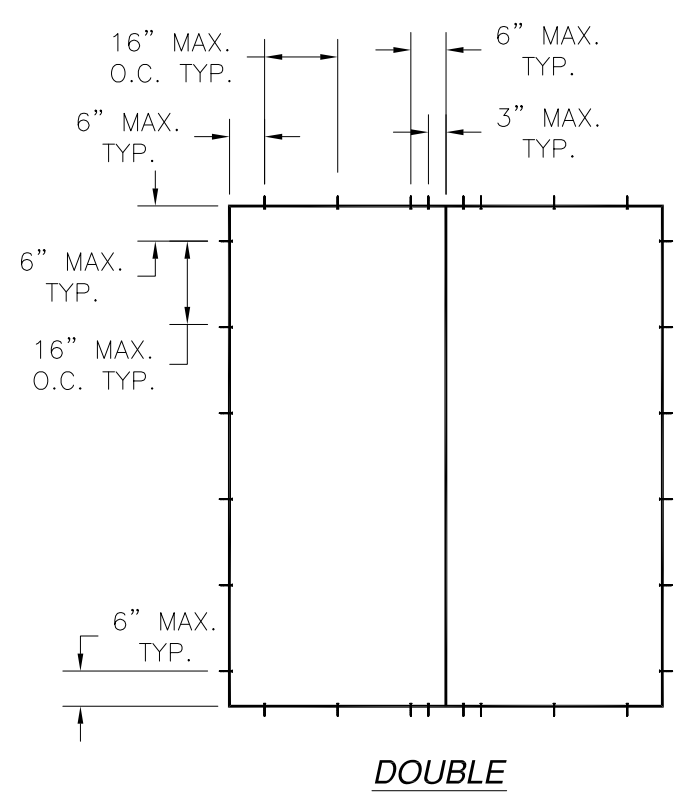
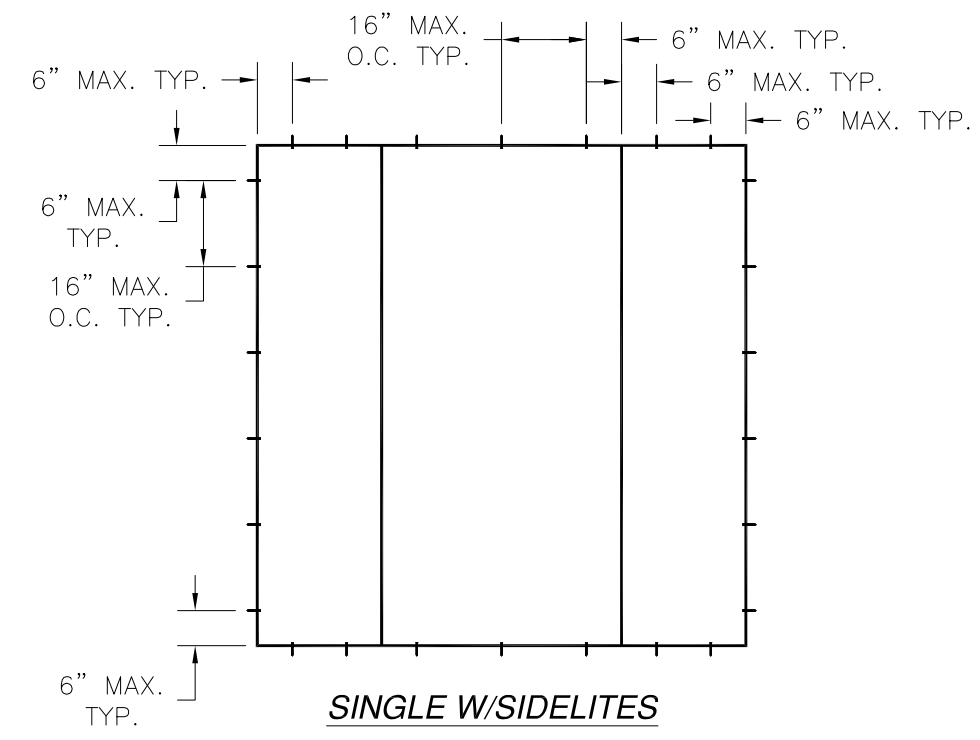
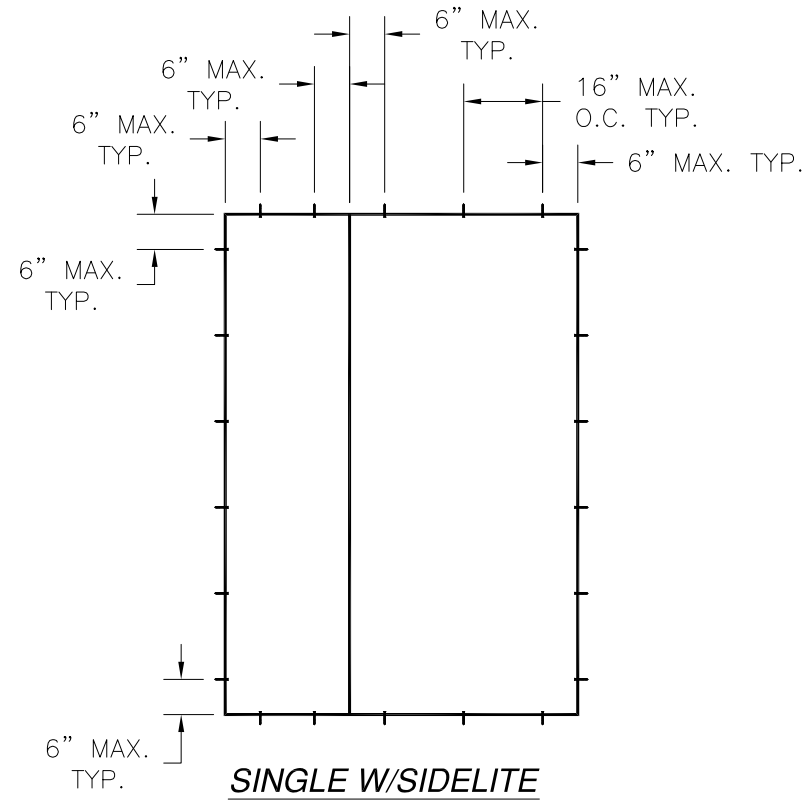
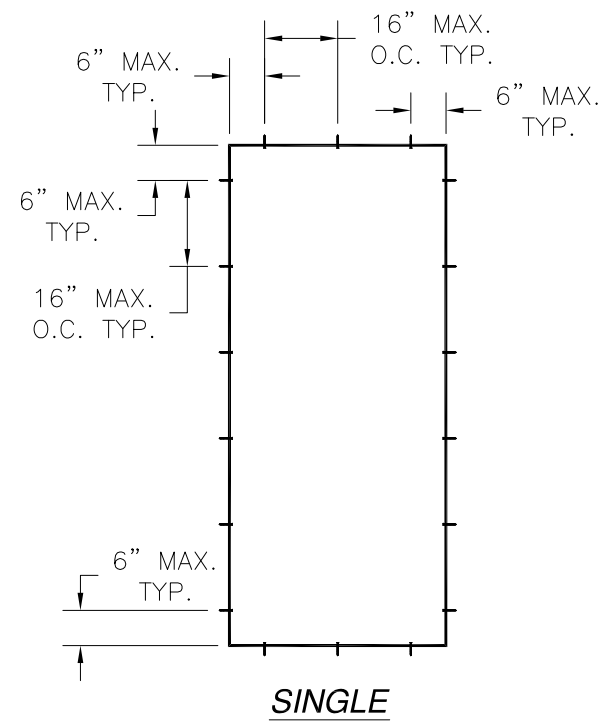
DRAWN: TJH	DWG NO. 08-00713	REV L
SCALE NTS	DATE 03/31/09	SHEET 4 OF 17

L. ROBERTO LOMAS P.E.
1432 WOODFORD RD LEWISVILLE, NC 27023
434-688-0609 rllomas@rlomaspe.com



Luis R. Lomas P.E.
FL No.: 62514

REVISIONS			
REV	DESCRIPTION	DATE	APPROVED
L	ADDED GLAZED FIR TRIMS	08/26/2021	R.L.



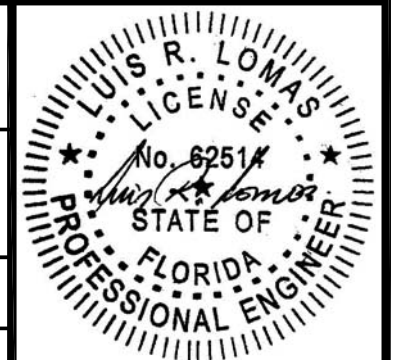
PROVIA, LLC.
2150 STATE ROUTE 39 WEST
SUGARCREEK, OH 44681

SIGNET IS/OS GLAZED FIBERGLASS DOOR
W/ AND W/OUT SIDELITES AND TRANSOM
ANCHORING LAYOUTS WITHOUT TRANSOMS

DRAWN: TJH	DWG NO. 08-00713	REV L
SCALE NTS	DATE 03/31/09	SHEET 5 OF 17

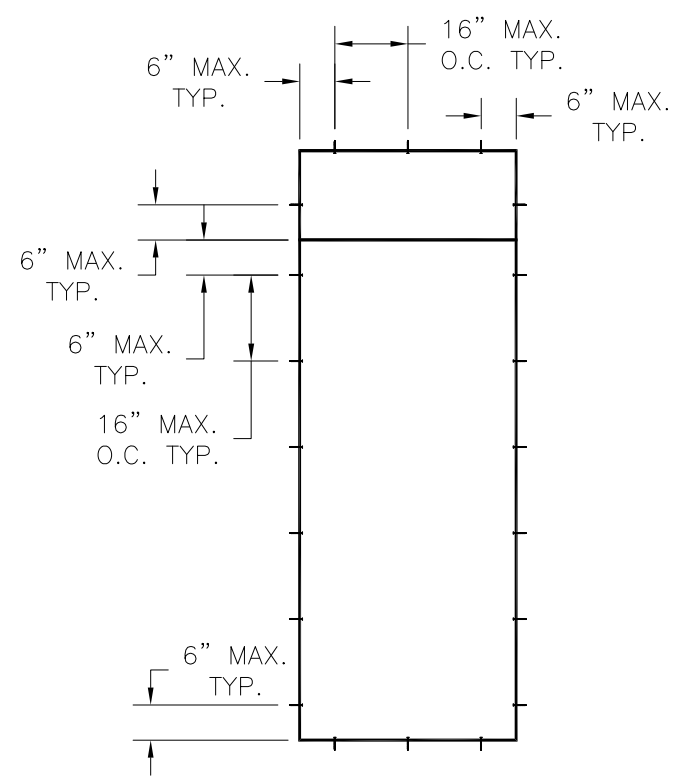
L. ROBERTO LOMAS P.E.
1432 WOODFORD RD LEWISVILLE, NC 27023
434-688-0609 rllomas@rlomaspe.com

SIGNED: 09/08/2021

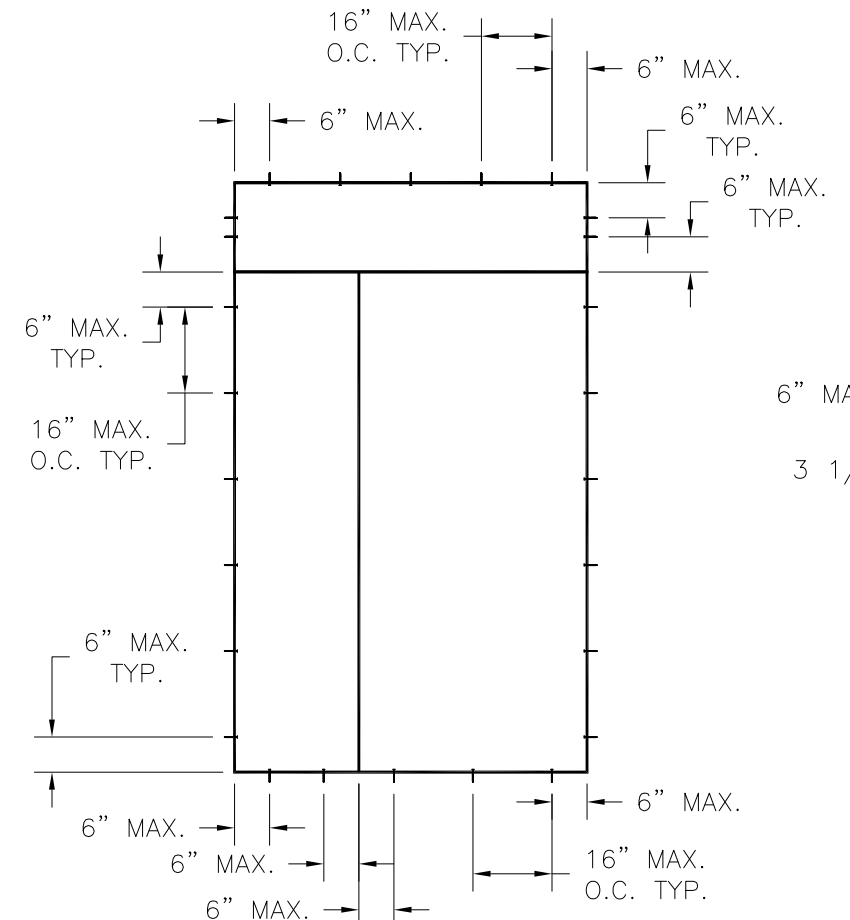


Luis R. Lomas P.E.
FL No.: 62514

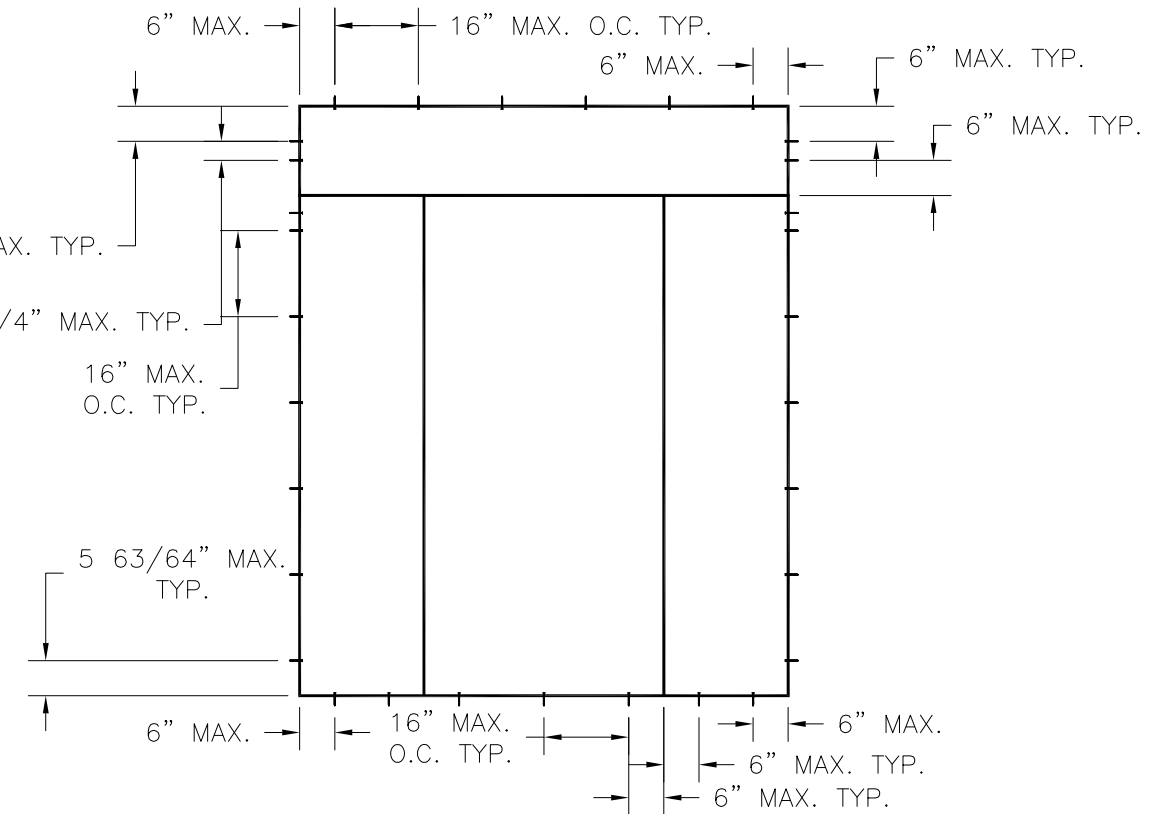
REVISIONS			
REV	DESCRIPTION	DATE	APPROVED
L	ADDED GLAZED FIR TRIMS	08/26/2021	R.L.



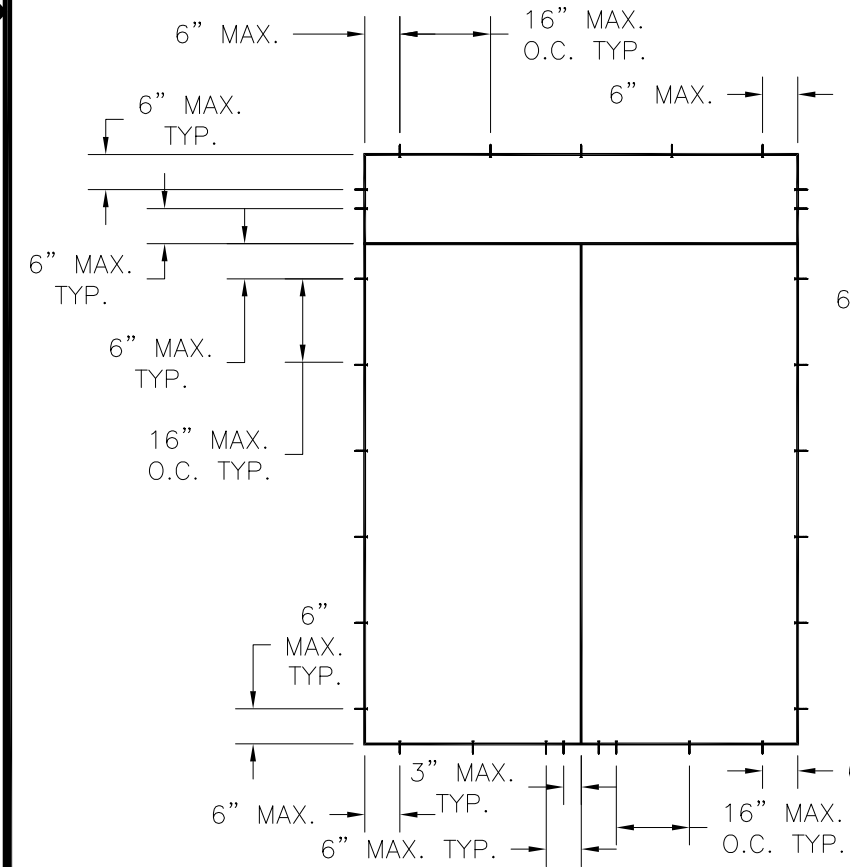
SINGLE W/TRANSOM



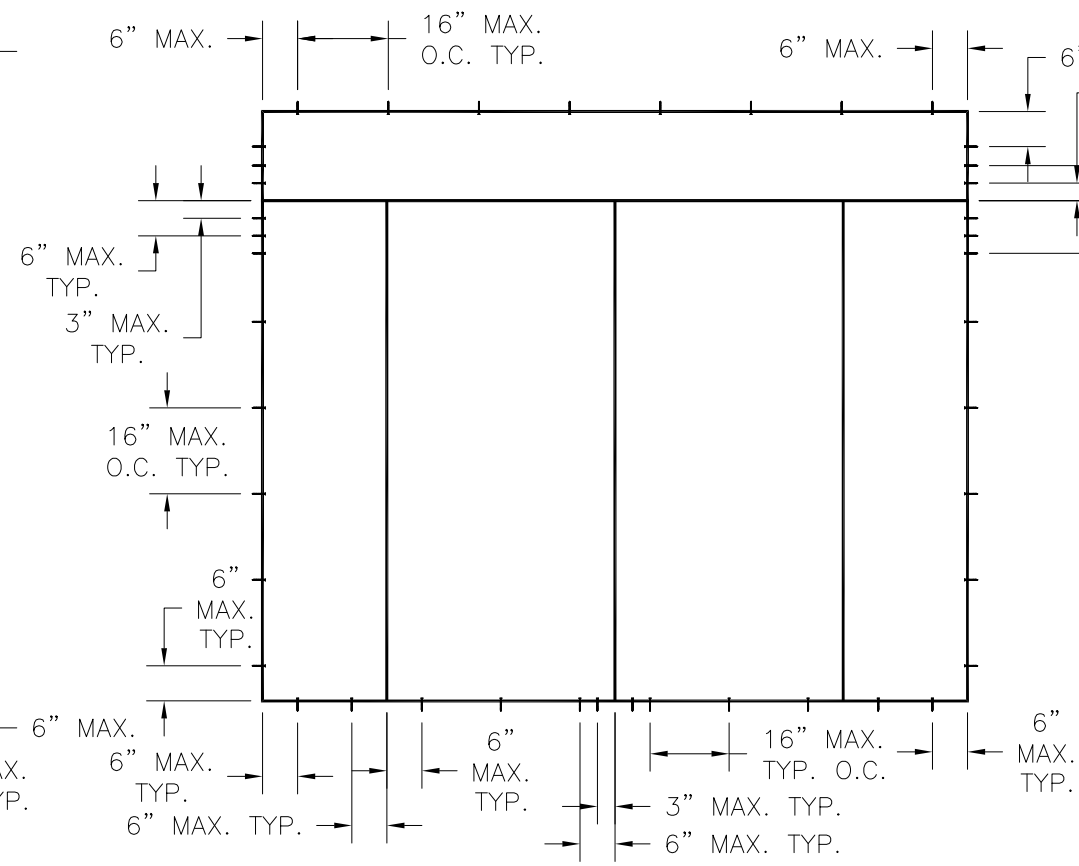
SINGLE W/SIDELITE & TRANSOM



SINGLE W/SIDELITES & TRANSOM



DOUBLE W/TRANSOM



DOUBLE W/SIDELITES & TRANSOM

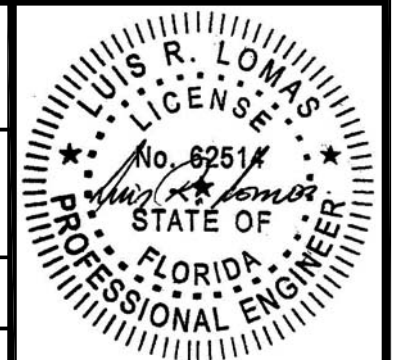
PROVIA, LLC.
2150 STATE ROUTE 39 WEST
SUGARCREEK, OH 44681

SIGNET IS/OS GLAZED FIBERGLASS DOOR
W/ AND W/OUT SIDELITES AND TRANSOM
ANCHORING LAYOUTS WITH TRANSOMS

DRAWN: TJH	DWG NO. 08-00713	REV L
SCALE NTS	DATE 03/31/09	SHEET 6 OF 17

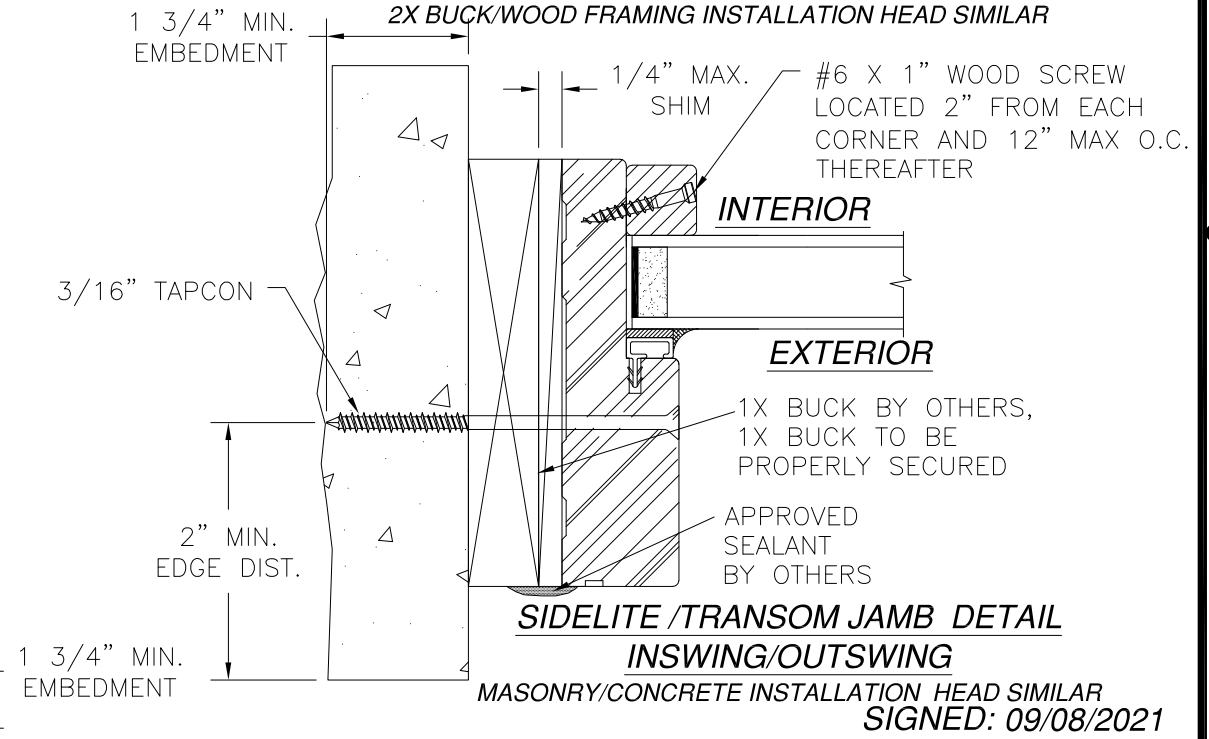
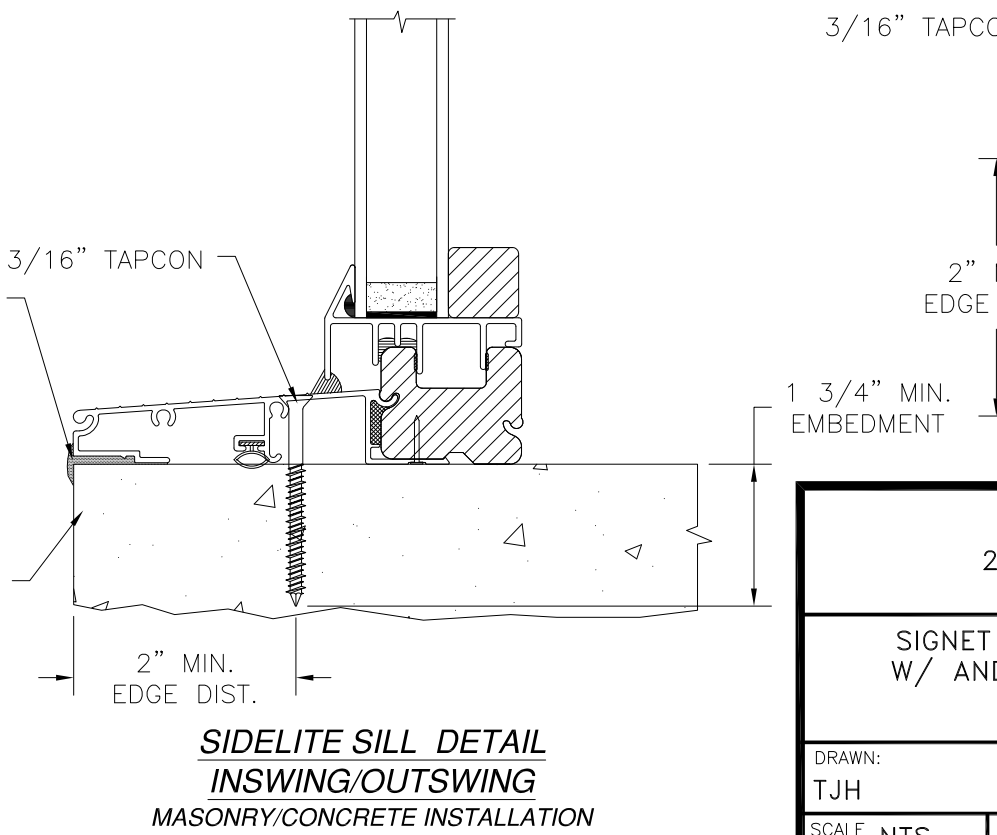
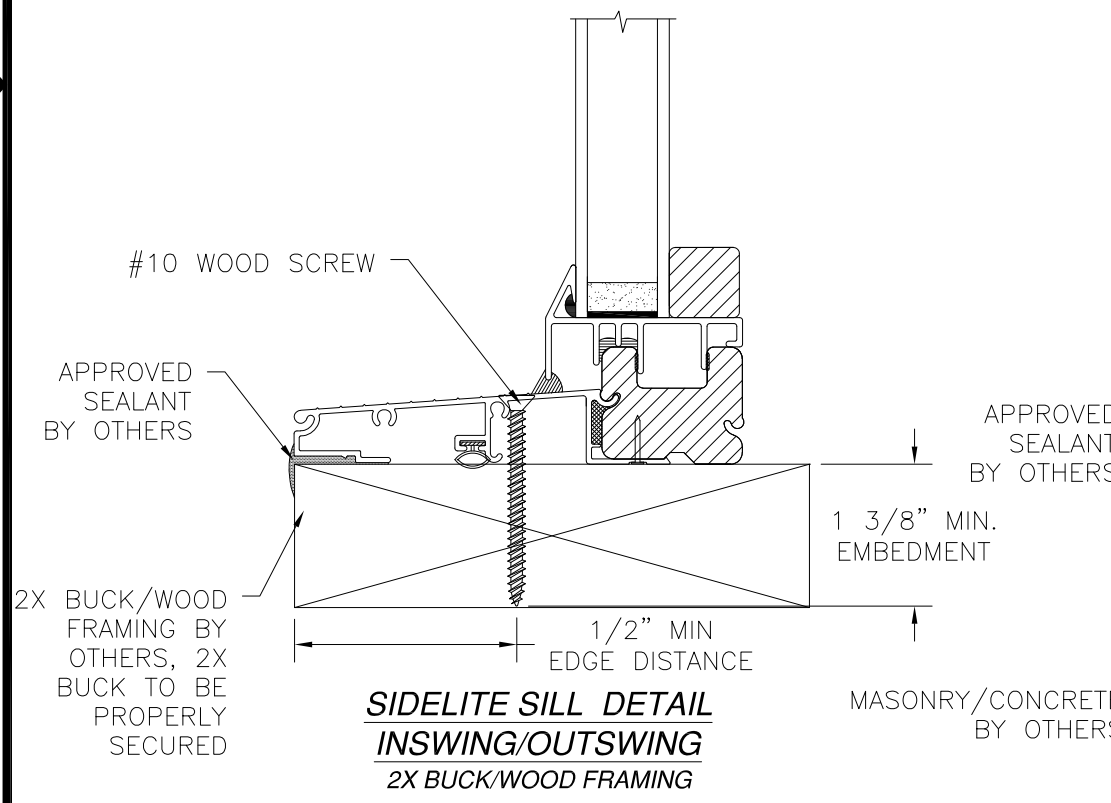
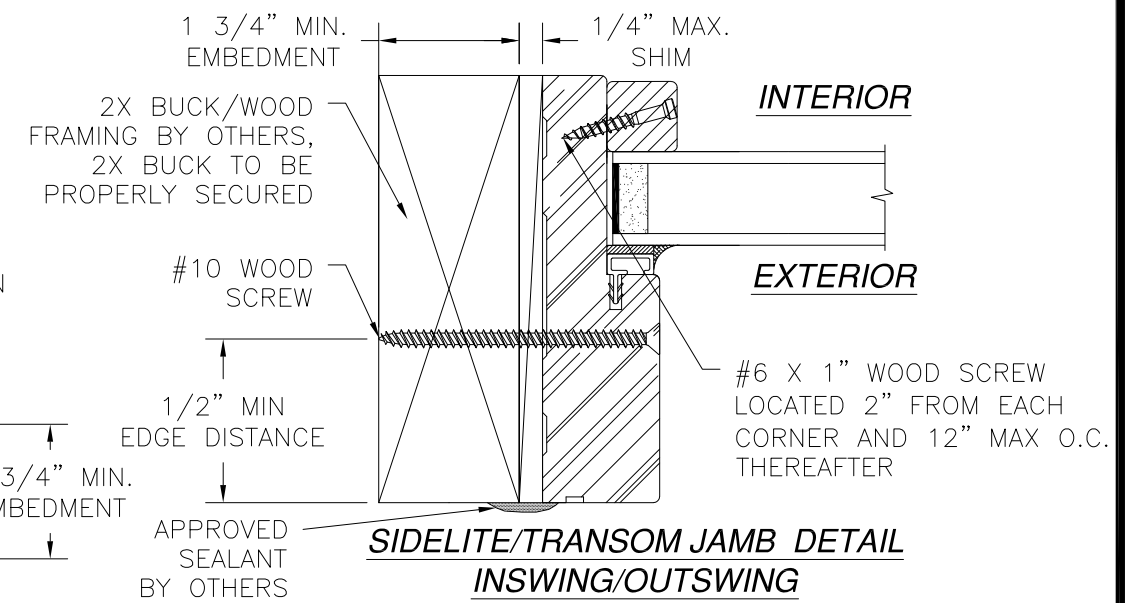
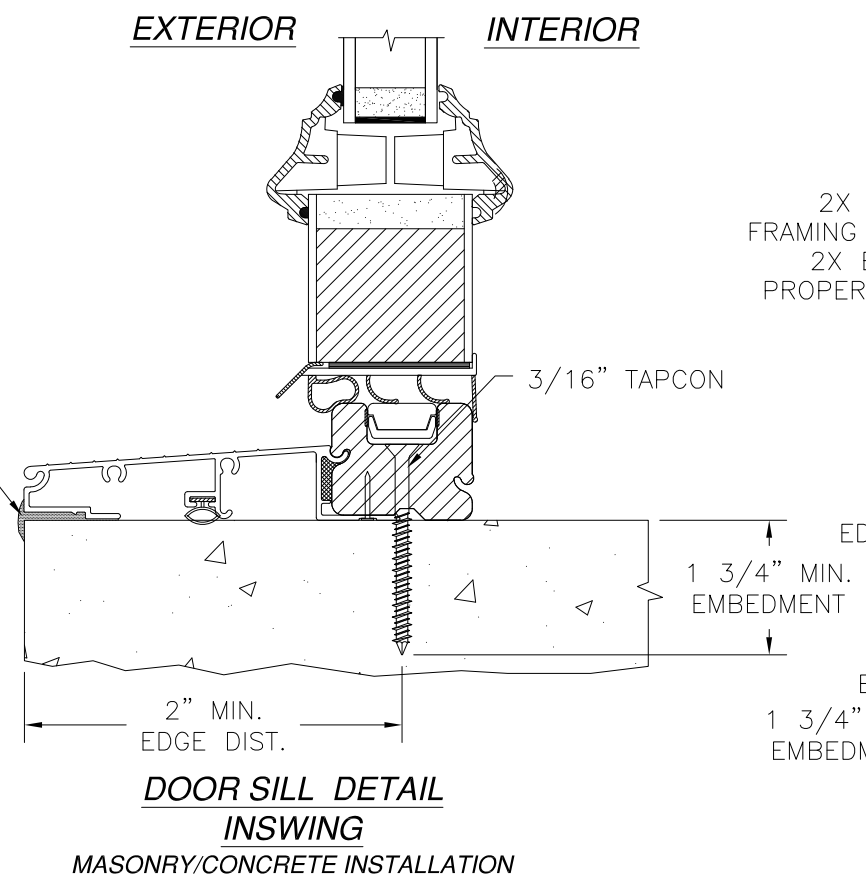
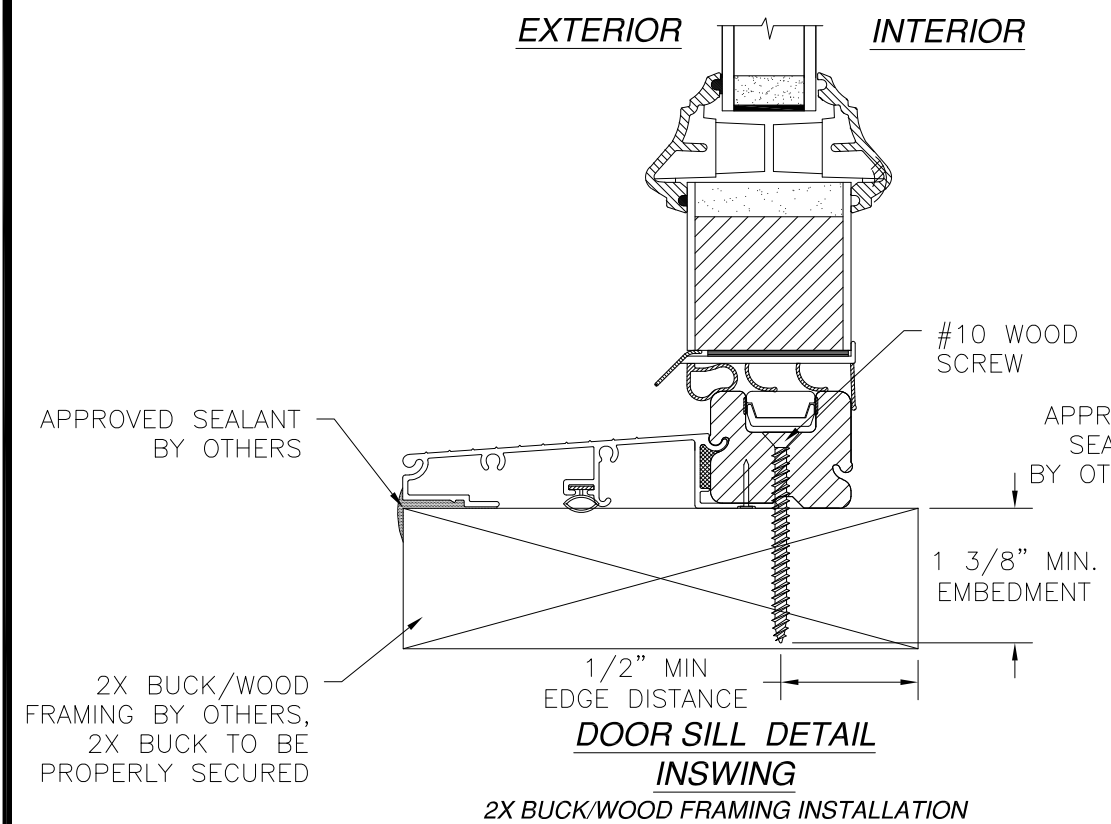
L. ROBERTO LOMAS P.E.
1432 WOODFORD RD LEWISVILLE, NC 27023
434-688-0609 rllomas@rlomaspe.com

SIGNED: 09/08/2021



Luis R. Lomas P.E.
FL No.: 62514

REVISIONS			
REV	DESCRIPTION	DATE	APPROVED
L	ADDED GLAZED FIR TRIMS	08/26/2021	R.L.



- NOTES:**
1. INTERIOR AND EXTERIOR FINISHES, BY OTHERS, NOT SHOWN FOR CLARITY.
 2. PERIMETER AND JOINT SEALANT BY OTHERS TO BE DESIGNED IN ACCORDANCE WITH ASTM E2112

PROVIA, LLC.
2150 STATE ROUTE 39 WEST
SUGARCREEK, OH 44681

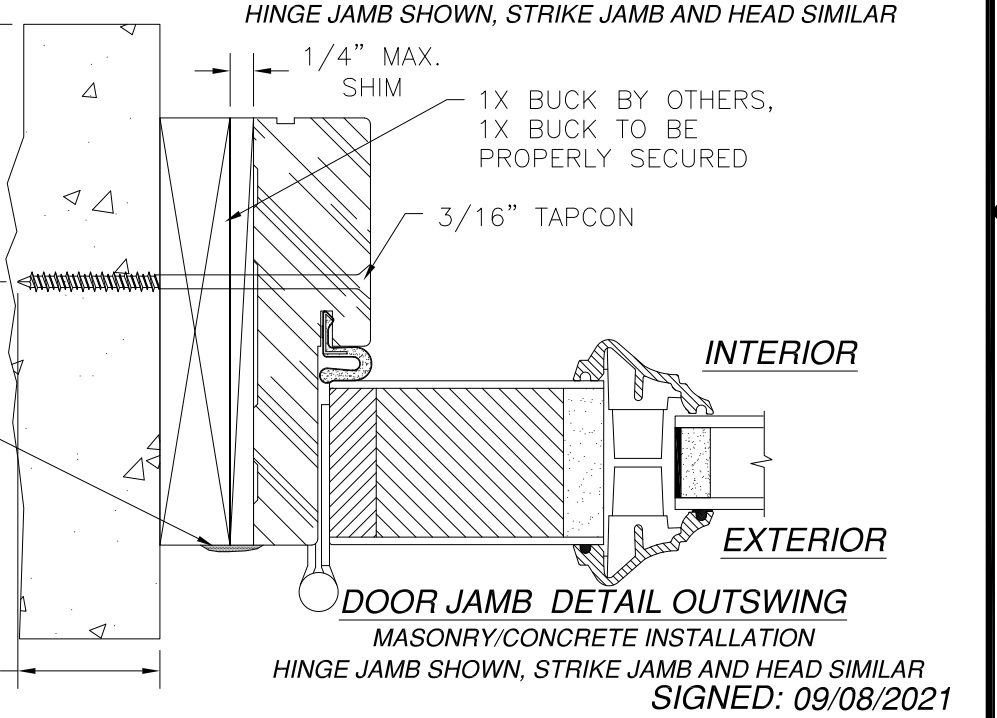
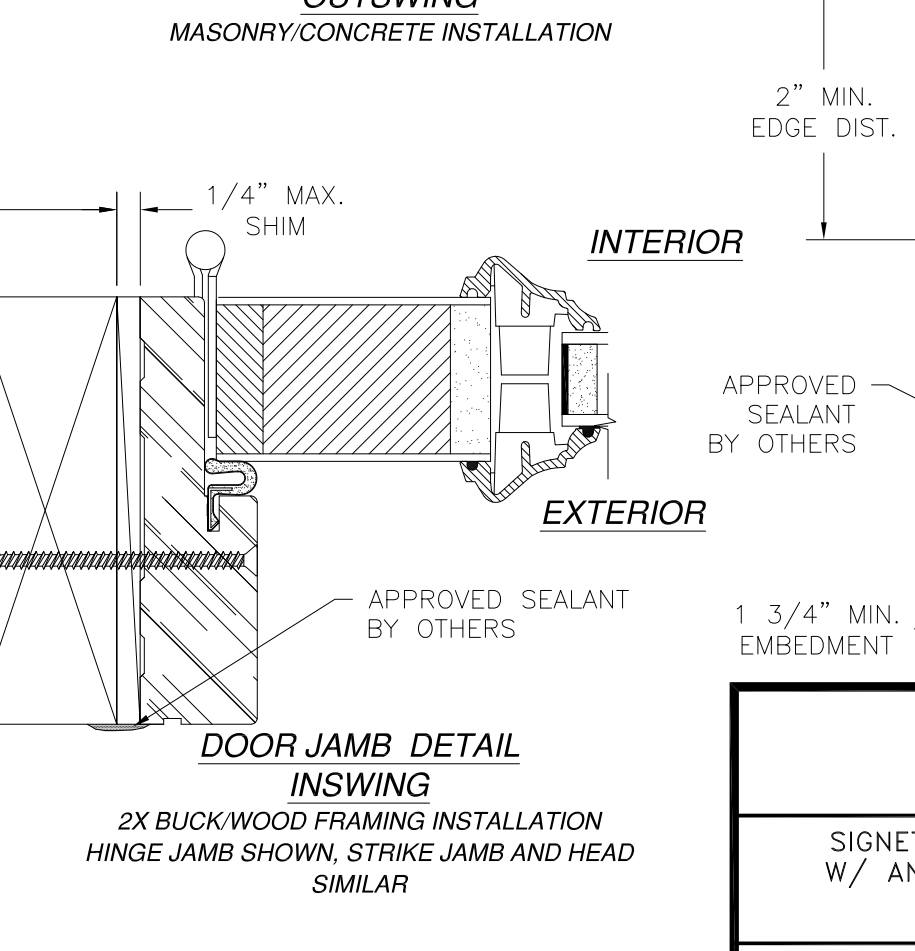
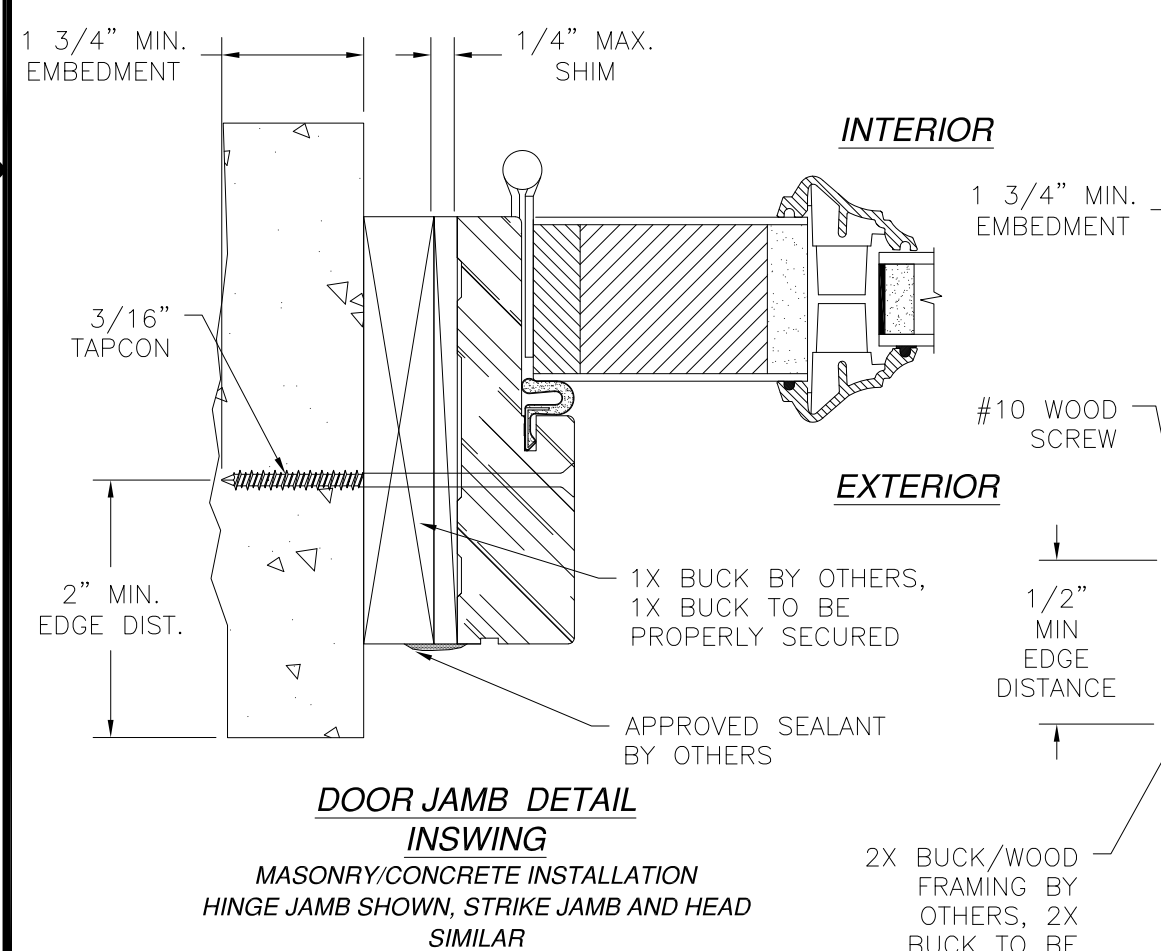
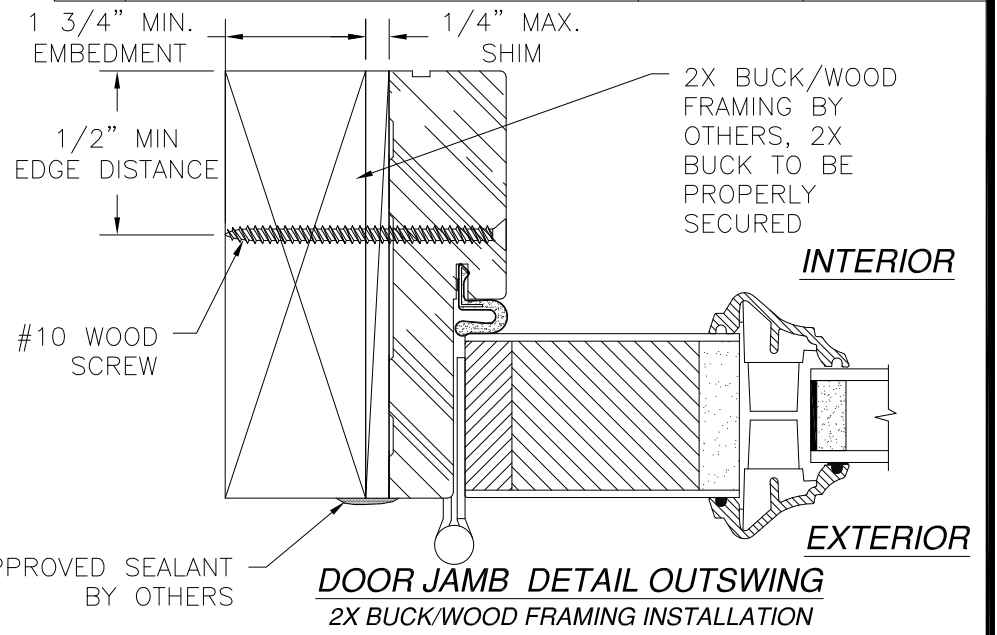
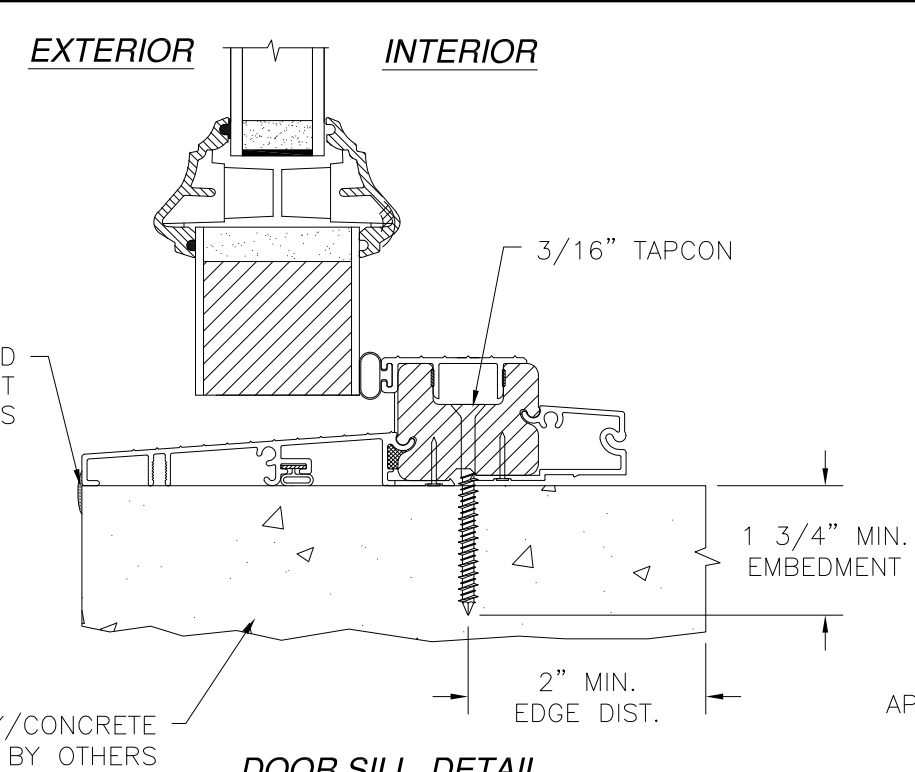
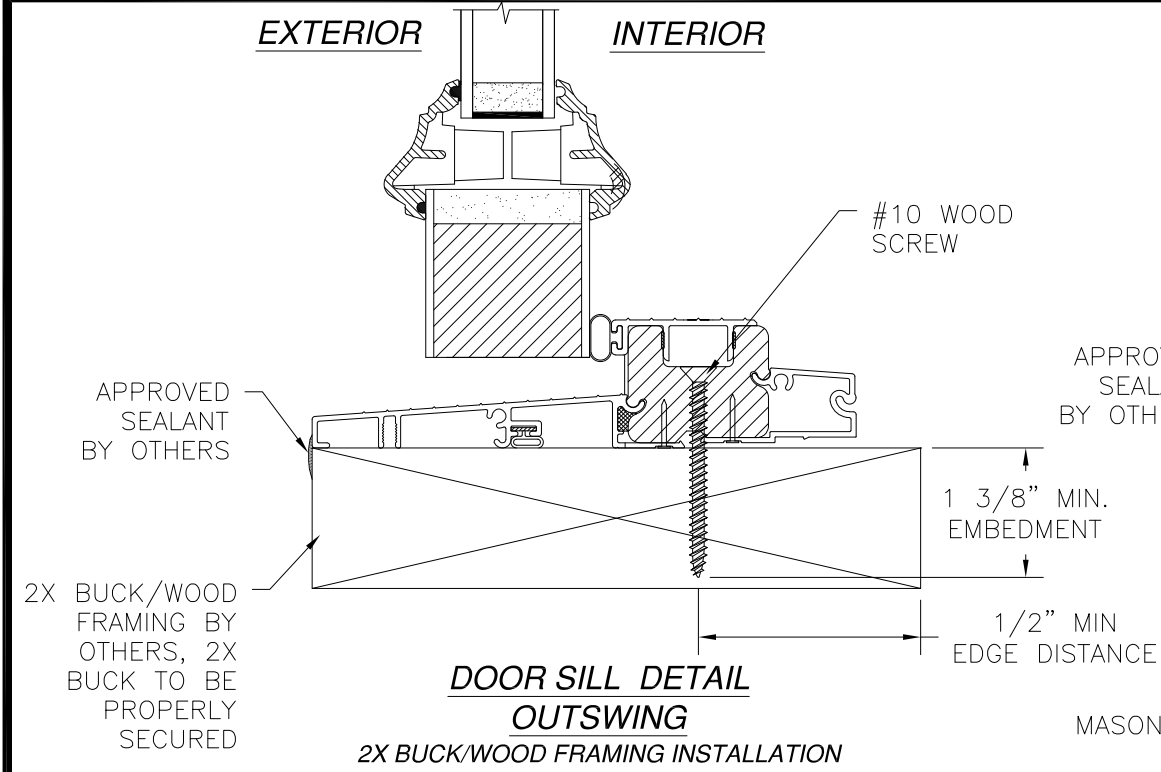
SIGNET IS/OS GLAZED FIBERGLASS DOOR
W/ AND W/OUT SIDELITES AND TRANSOM
INSTALLATION DETAILS

DRAWN: TJH	DWG NO. 08-00713	REV L
SCALE NTS	DATE 03/31/09	SHEET 7 OF 17

L. ROBERTO LOMAS P.E.
1432 WOODFORD RD LEWISVILLE, NC 27023
434-688-0609 rllomas@rlomaspe.com

Luis R. Lomas P.E.
FL No.: 62514

REVISIONS			
REV	DESCRIPTION	DATE	APPROVED
L	ADDED GLAZED FIR TRIMS	08/26/2021	R.L.



- NOTES:**
1. INTERIOR AND EXTERIOR FINISHES, BY OTHERS, NOT SHOWN FOR CLARITY.
 2. PERIMETER AND JOINT SEALANT BY OTHERS TO BE DESIGNED IN ACCORDANCE WITH ASTM E2112

PROVIA, LLC.
 2150 STATE ROUTE 39 WEST
 SUGARCREEK, OH 44681

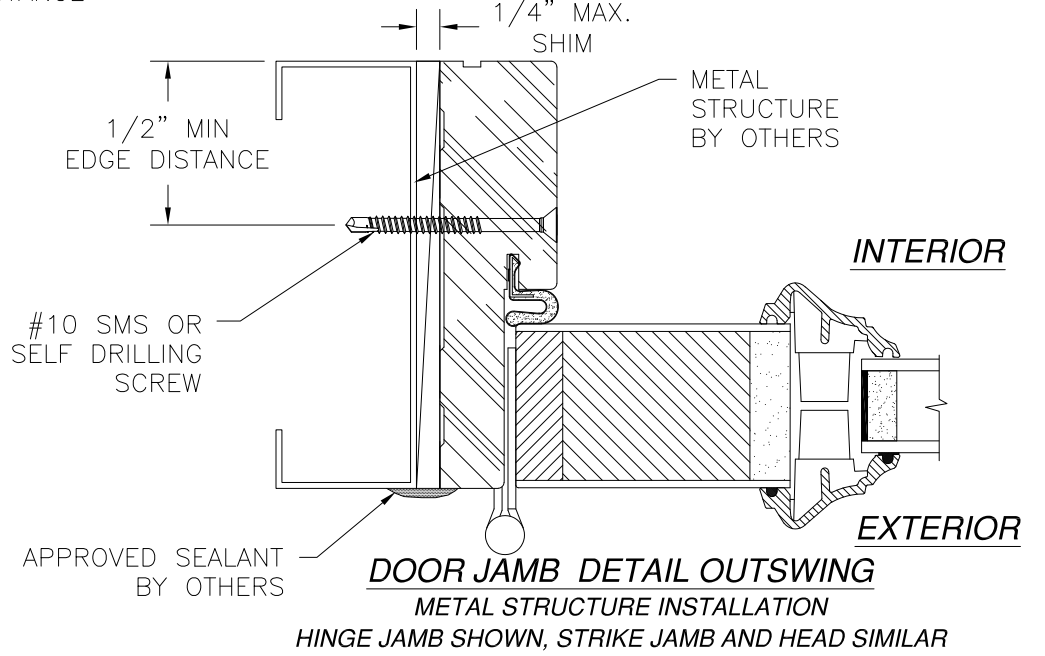
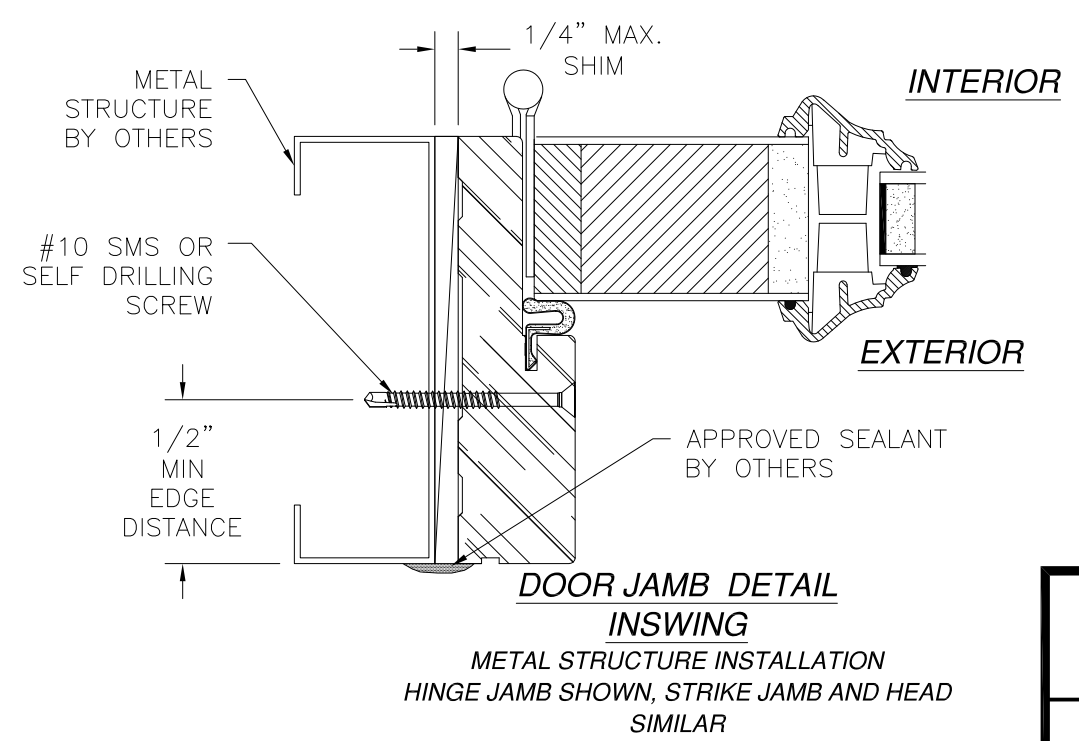
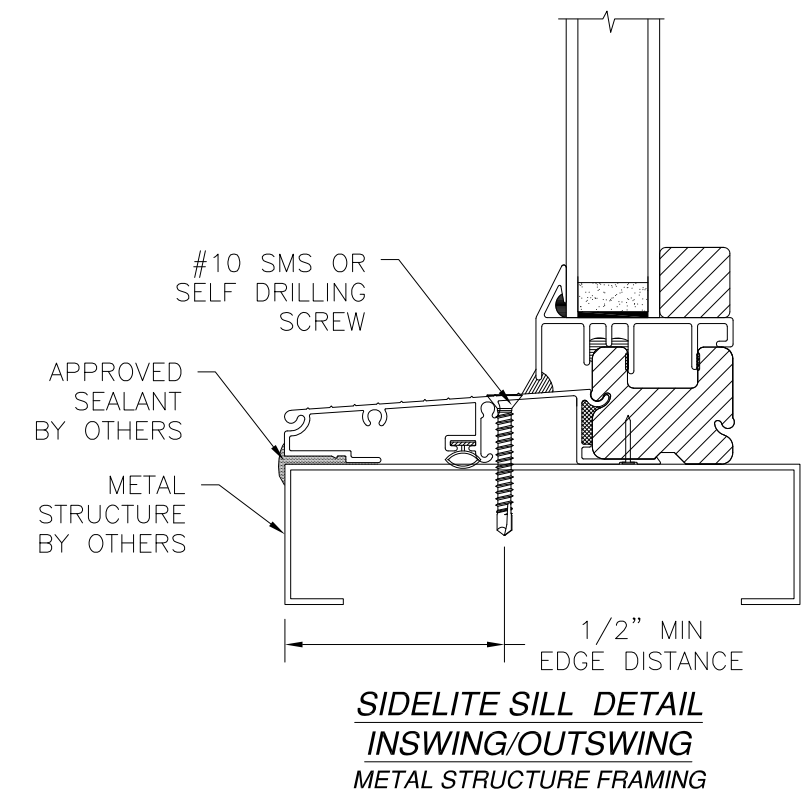
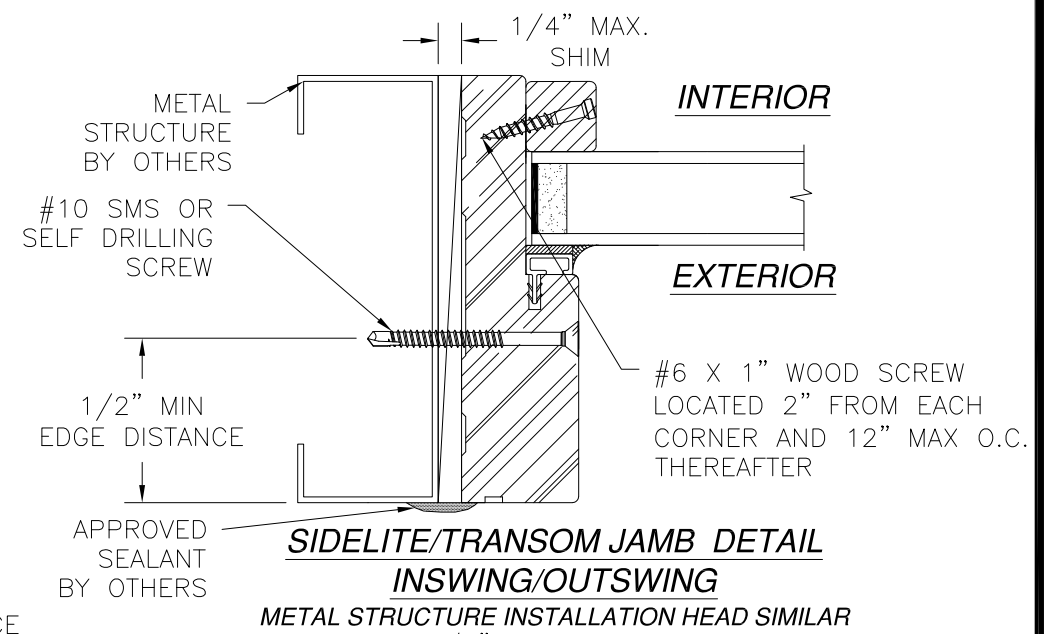
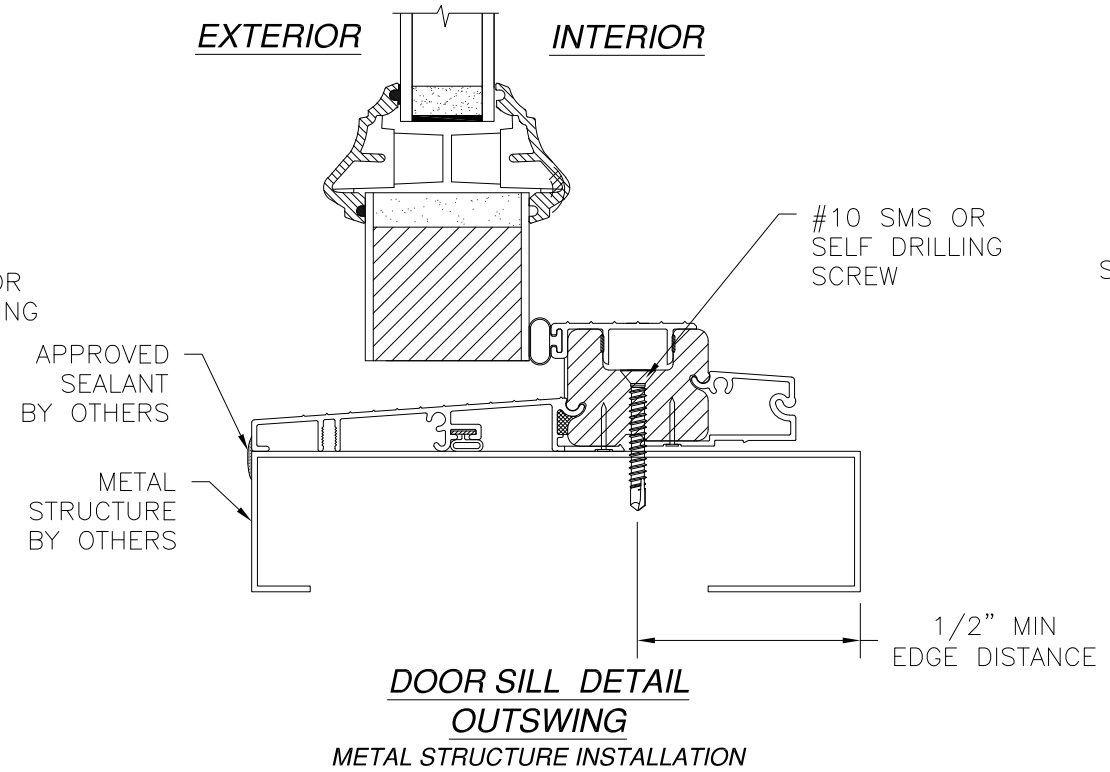
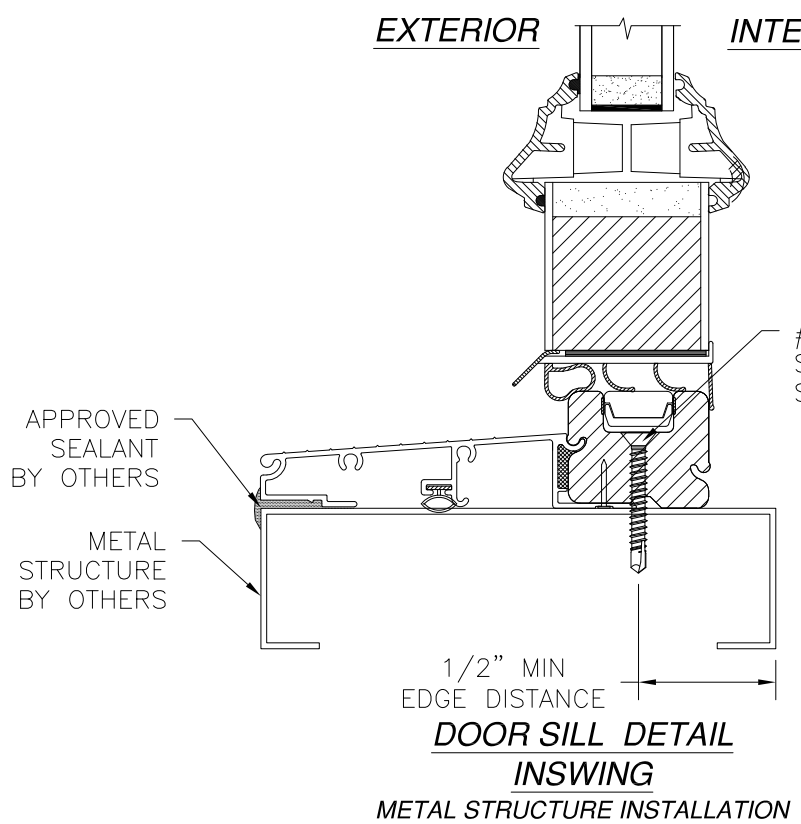
SIGNET IS/OS GLAZED FIBERGLASS DOOR
 W/ AND W/OUT SIDELITES AND TRANSOM
 INSTALLATION DETAILS

DRAWN: TJH	DWG NO. 08-00713	REV L
SCALE NTS	DATE 03/31/09	SHEET 8 OF 17

L. ROBERTO LOMAS P.E.
 1432 WOODFORD RD LEWISVILLE, NC 27023
 434-688-0609 rllomas@rlomaspe.com

Luis R. Lomas P.E.
 FL No.: 62514

REVISIONS			
REV	DESCRIPTION	DATE	APPROVED
L	ADDED GLAZED FIR TRIMS	08/26/2021	R.L.



SIGNED: 09/08/2021

- NOTES:
1. INTERIOR AND EXTERIOR FINISHES, BY OTHERS, NOT SHOWN FOR CLARITY.
 2. PERIMETER AND JOINT SEALANT BY OTHERS TO BE DESIGNED IN ACCORDANCE WITH ASTM E2112

PROVIA, LLC.
 2150 STATE ROUTE 39 WEST
 SUGARCREEK, OH 44681

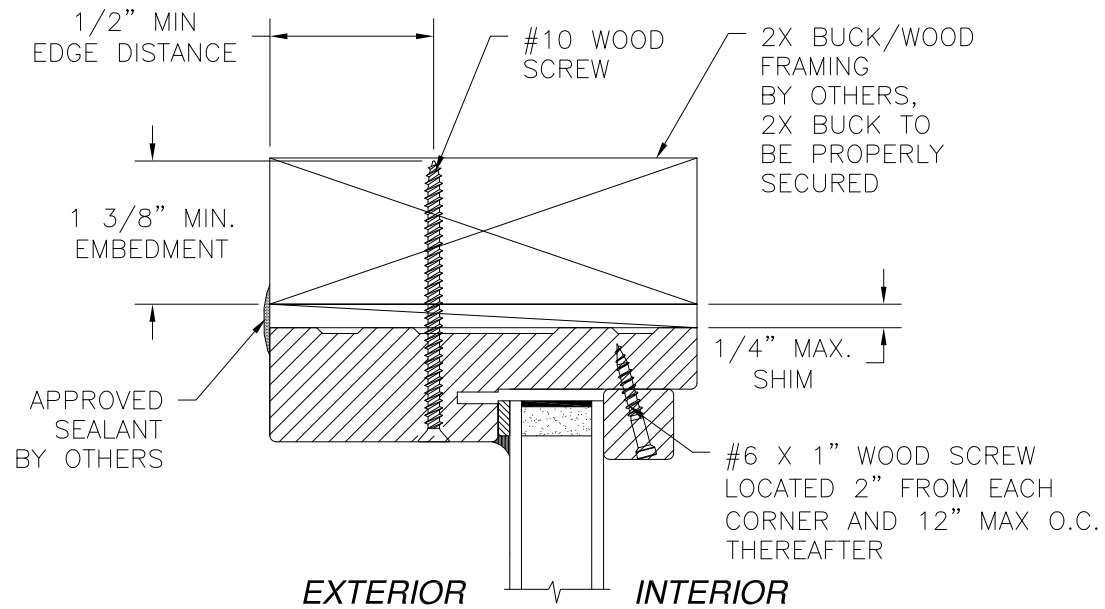
SIGNET IS/OS GLAZED FIBERGLASS DOOR
 W/ AND W/OUT SIDELITES AND TRANSOM
 INSTALLATION DETAILS

DRAWN: TJH	DWG NO. 08-00713	REV L
SCALE NTS	DATE 03/31/09	SHEET 9 OF 17

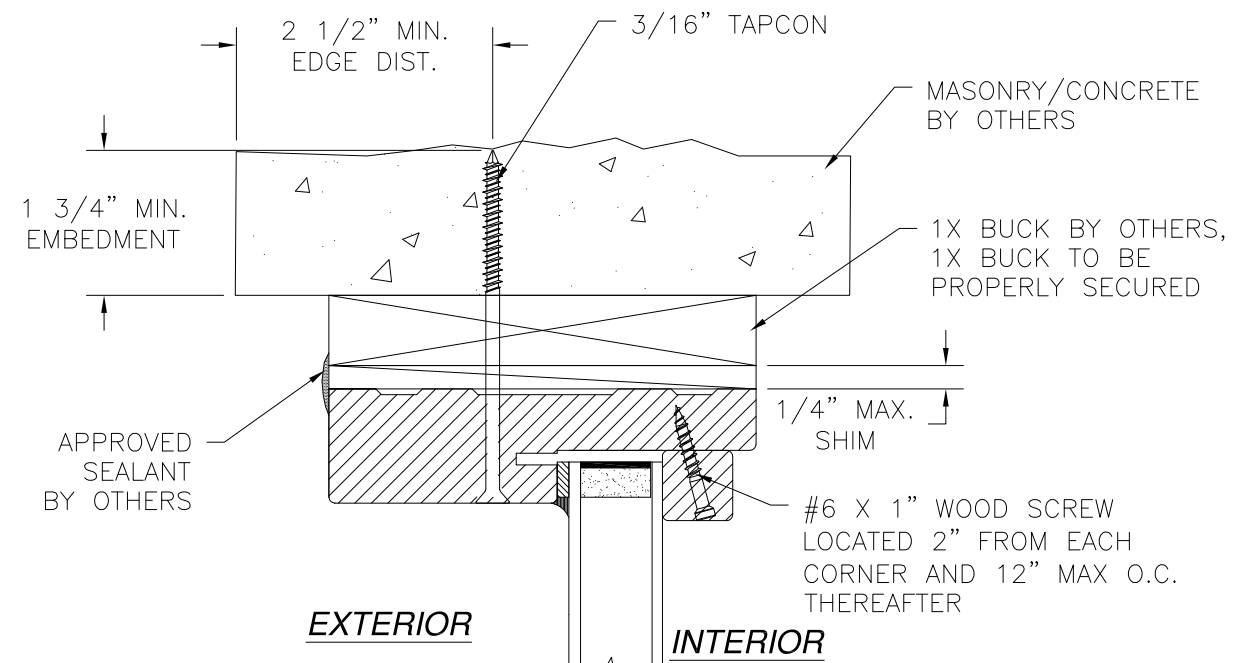
L. ROBERTO LOMAS P.E.
 1432 WOODFORD RD LEWISVILLE, NC 27023
 434-688-0609 rllomas@rlomaspe.com

Luis R. Lomas P.E.
 FL No.: 62514

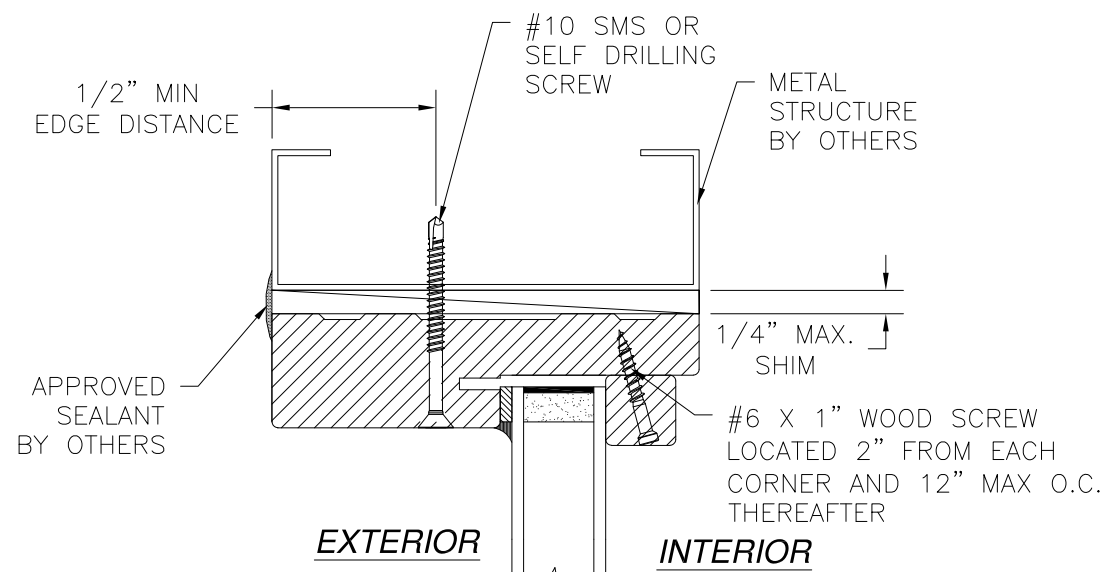
REVISIONS			
REV	DESCRIPTION	DATE	APPROVED
L	ADDED GLAZED FIR TRIMS	08/26/2021	R.L.



**TRANSOM DETAIL
INSWING/OUTSWING
2X BUCK/WOOD FRAMING INSTALLATION
HEAD SHOWN JAMBS SIMILAR**



**TRANSOM DETAIL
INSWING/OUTSWING
MASONRY/CONCRETE INSTALLATION
HEAD SHOWN JAMBS SIMILAR**



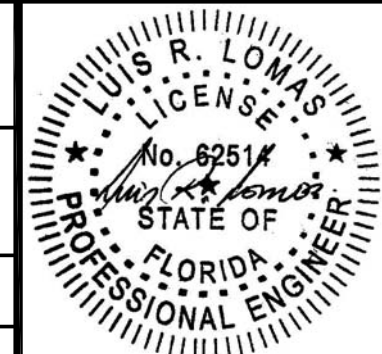
**TRANSOM DETAIL
INSWING/OUTSWING
METAL STRUCTURE INSTALLATION
HEAD SHOWN JAMBS SIMILAR**

NOTES:

1. INTERIOR AND EXTERIOR FINISHES, BY OTHERS, NOT SHOWN FOR CLARITY.
2. PERIMETER AND JOINT SEALANT BY OTHERS TO BE DESIGNED IN ACCORDANCE WITH ASTM E2112

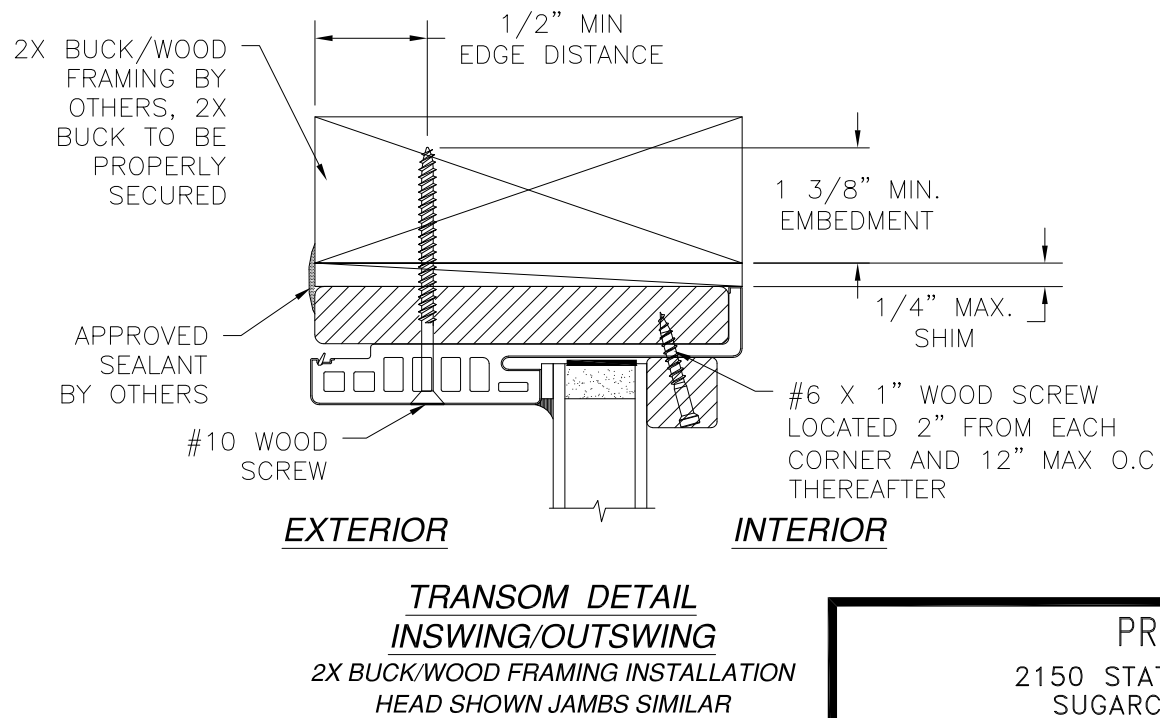
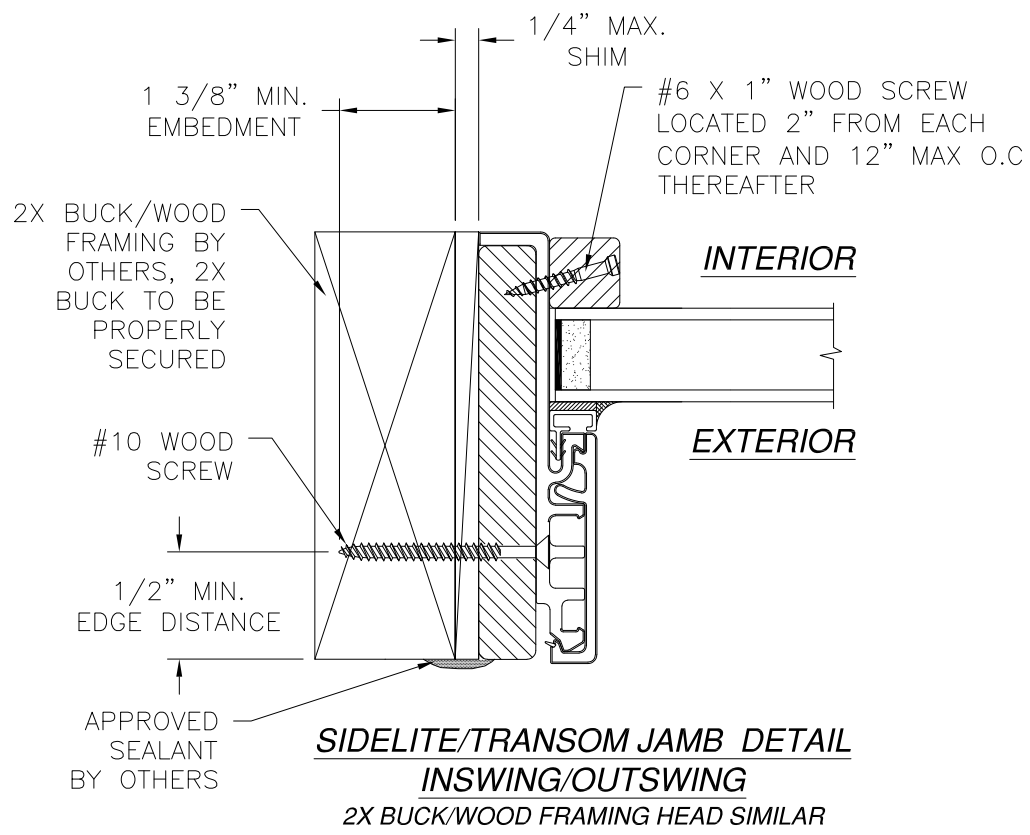
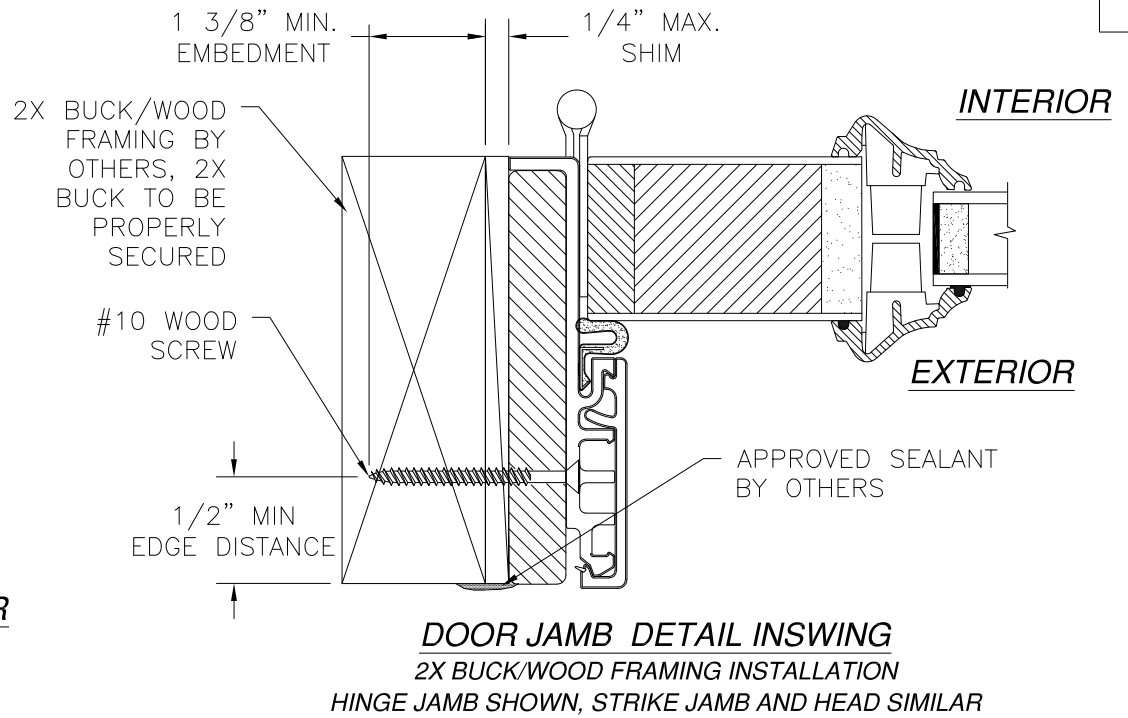
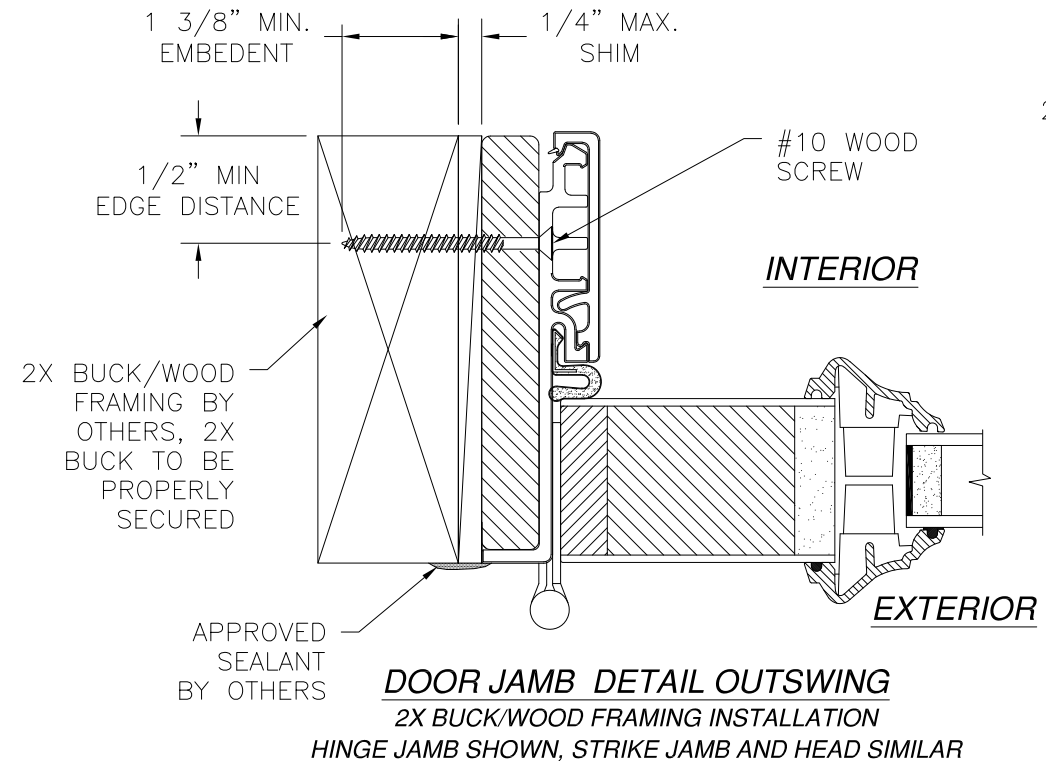
SIGNED: 09/08/2021

PROVIA, LLC. 2150 STATE ROUTE 39 WEST SUGARCREEK, OH 44681		
SIGNET IS/OS GLAZED FIBERGLASS DOOR W/ AND W/OUT SIDELITES AND TRANSOM INSTALLATION DETAILS		
DRAWN: TJH	DWG NO. 08-00713	REV L
SCALE NTS	DATE 03/31/09	SHEET 10 OF 17
L. ROBERTO LOMAS P.E. 1432 WOODFORD RD LEWISVILLE, NC 27023 434-688-0609 rllomas@lrlomaspe.com		



Luis R. Lomas P.E.
FL No.: 62514

REVISIONS			
REV	DESCRIPTION	DATE	APPROVED
L	ADDED GLAZED FIR TRIMS	08/26/2021	R.L.



- NOTES:**
1. INTERIOR AND EXTERIOR FINISHES, BY OTHERS, NOT SHOWN FOR CLARITY.
 2. PERIMETER AND JOINT SEALANT BY OTHERS TO BE DESIGNED IN ACCORDANCE WITH ASTM E2112

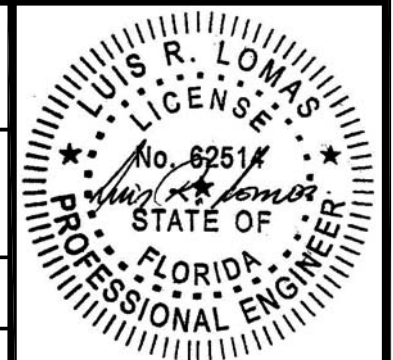
SIGNED: 09/08/2021

PROVIA, LLC.
2150 STATE ROUTE 39 WEST
SUGARCREEK, OH 44681

SIGNET IS/OS GLAZED FIBERGLASS DOOR
W/ AND W/OUT SIDELITES AND TRANSOM
INSTALLATION DETAILS W/FUSION FRAME

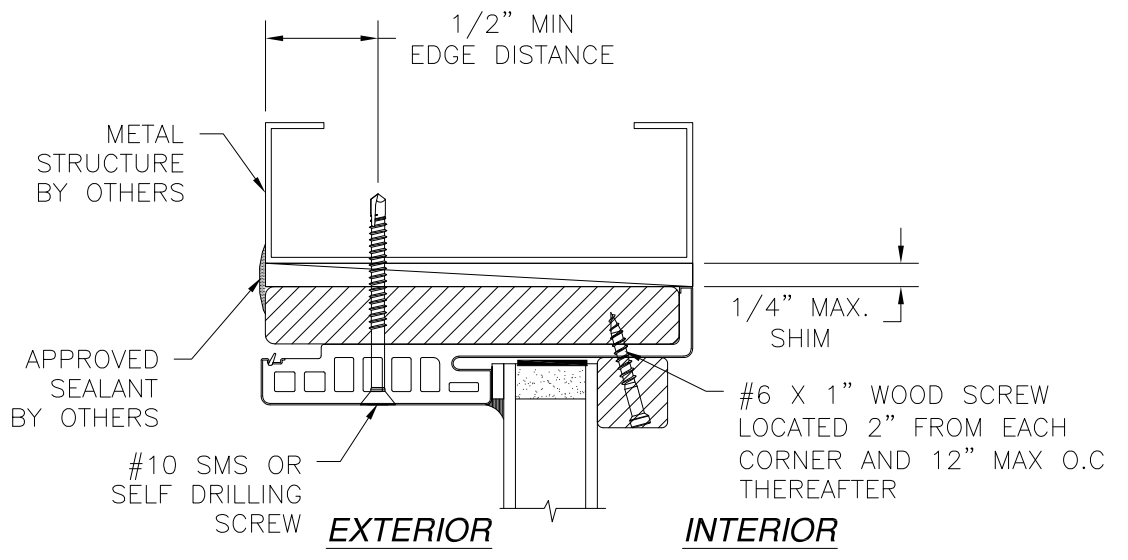
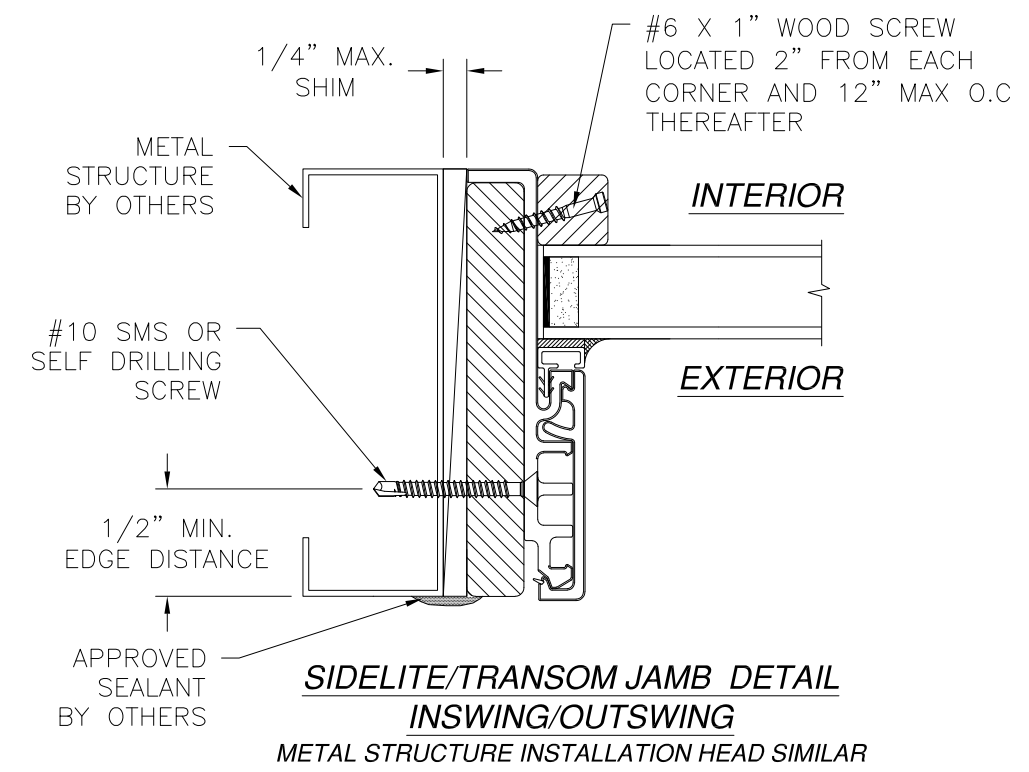
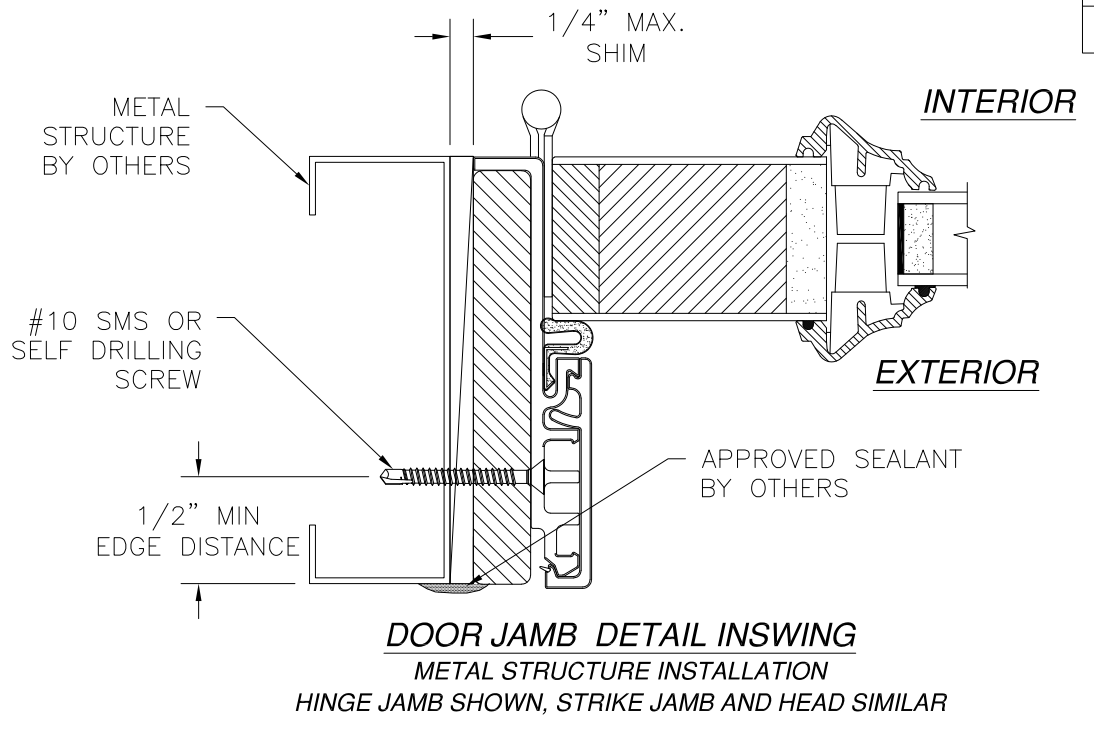
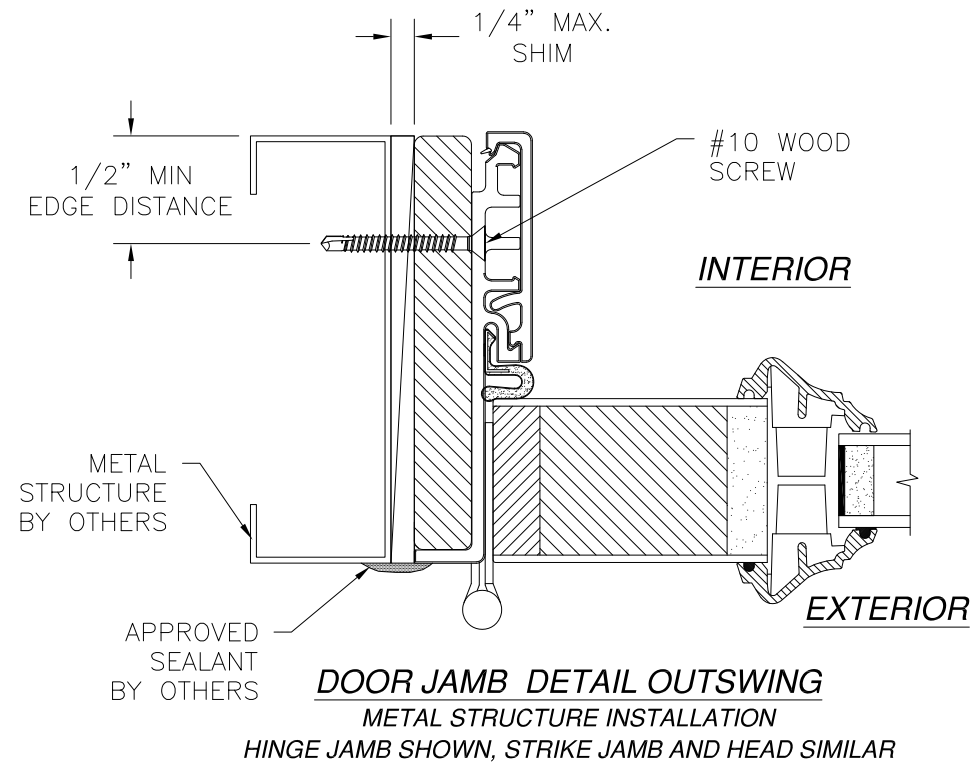
DRAWN: TJH	DWG NO. 08-00713	REV L
SCALE NTS	DATE 03/31/09	SHEET 11 OF 17

L. ROBERTO LOMAS P.E.
1432 WOODFORD RD LEWISVILLE, NC 27023
434-688-0609 rllomas@rlomaspe.com



Luis R. Lomas P.E.
FL No.: 62514

REVISIONS			
REV	DESCRIPTION	DATE	APPROVED
L	ADDED GLAZED FIR TRIMS	08/26/2021	R.L.



- NOTES:
1. INTERIOR AND EXTERIOR FINISHES, BY OTHERS, NOT SHOWN FOR CLARITY.
 2. PERIMETER AND JOINT SEALANT BY OTHERS TO BE DESIGNED IN ACCORDANCE WITH ASTM E2112

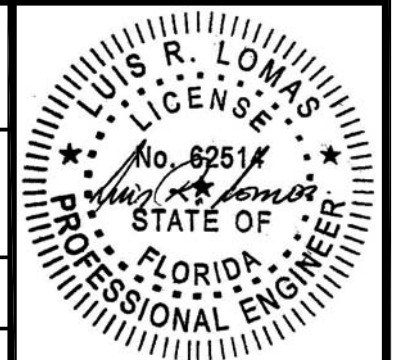
SIGNED: 09/08/2021

PROVIA, LLC.
2150 STATE ROUTE 39 WEST
SUGARCREEK, OH 44681

SIGNET IS/OS GLAZED FIBERGLASS DOOR
W/ AND W/OUT SIDELITES AND TRANSOM
INSTALLATION DETAILS W/FUSION FRAME

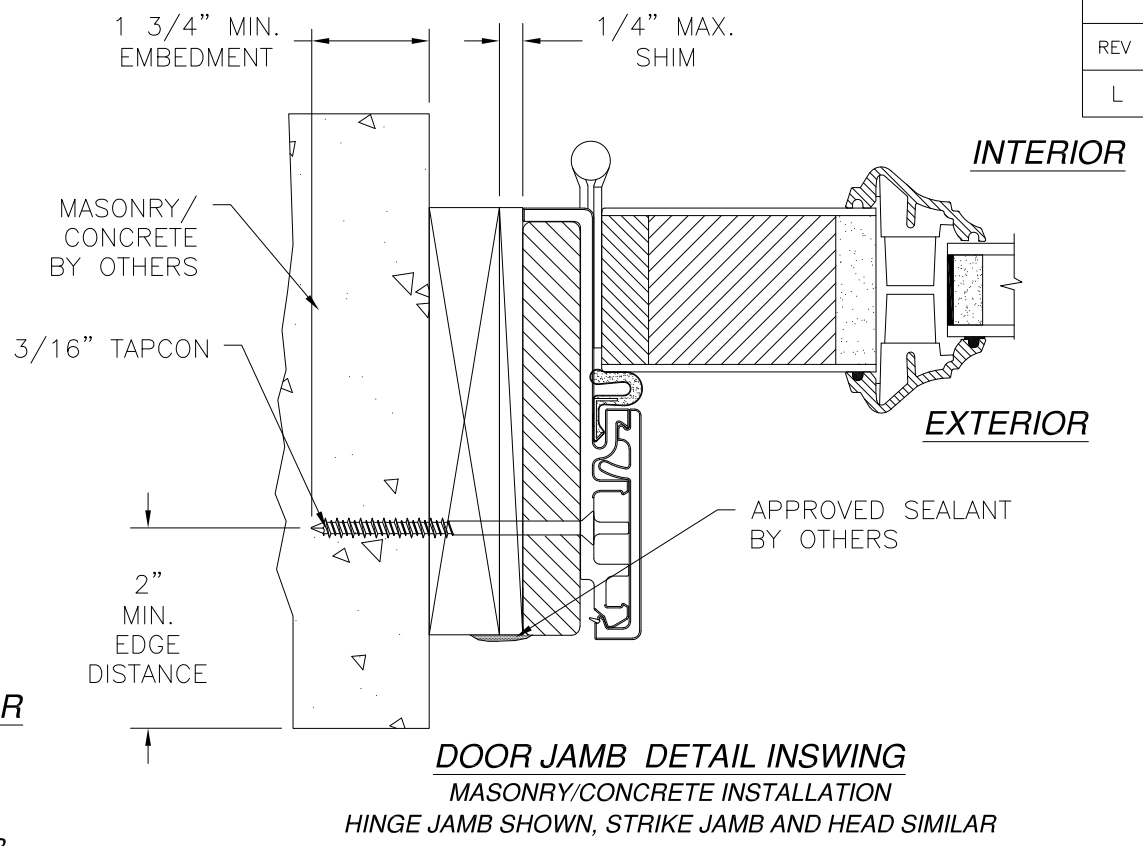
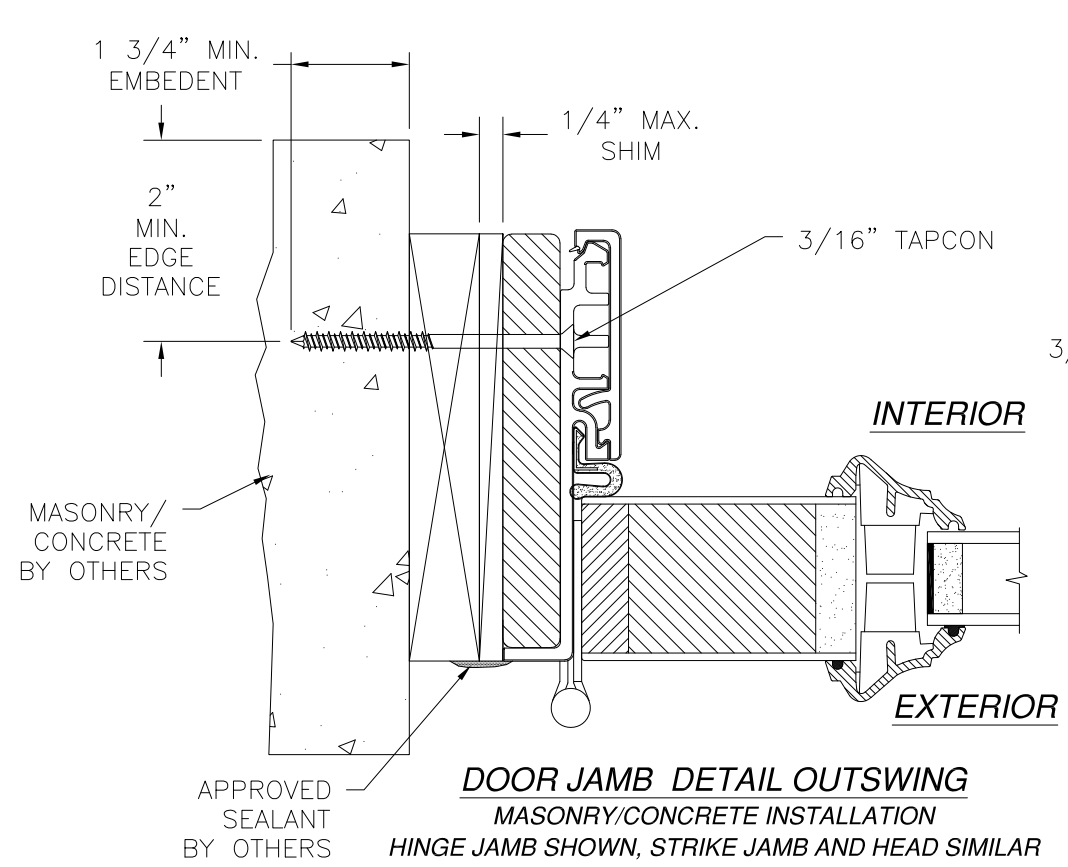
DRAWN: TJH	DWG NO. 08-00713	REV L
SCALE NTS	DATE 03/31/09	SHEET 12 OF 17

L. ROBERTO LOMAS P.E.
1432 WOODFORD RD LEWISVILLE, NC 27023
434-688-0609 rllomas@rlomaspe.com

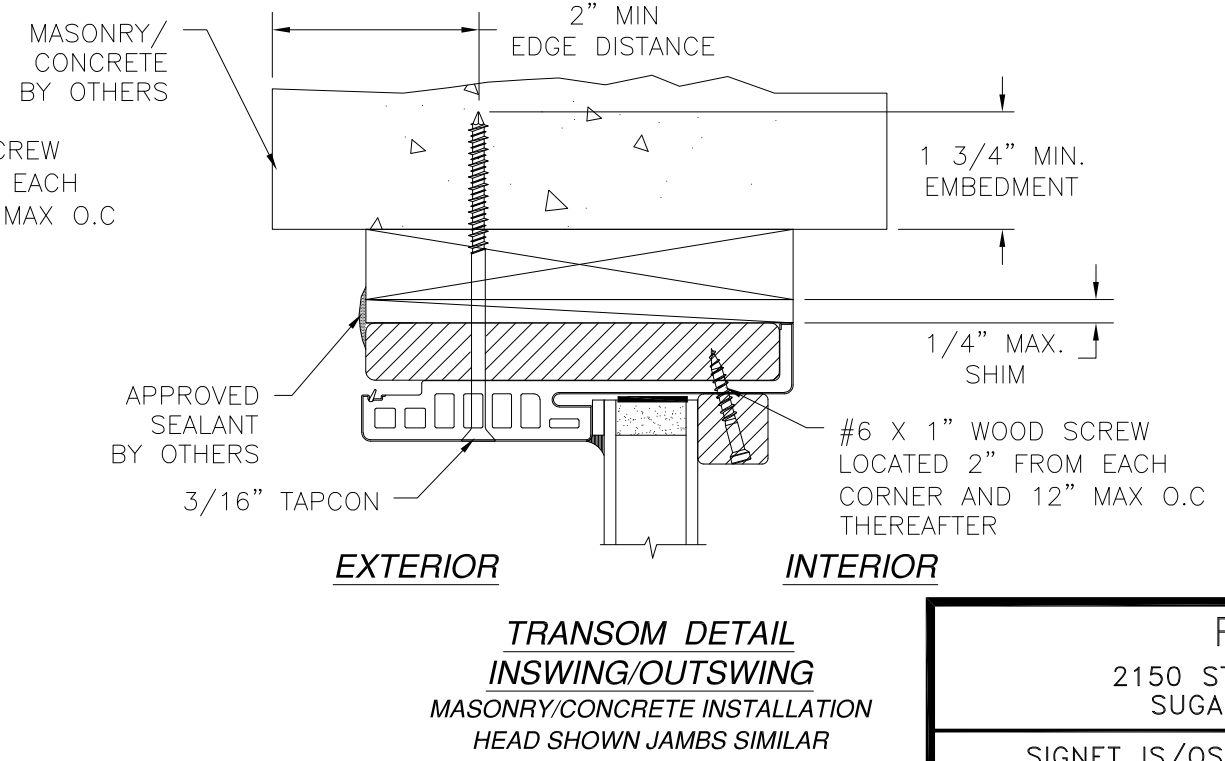
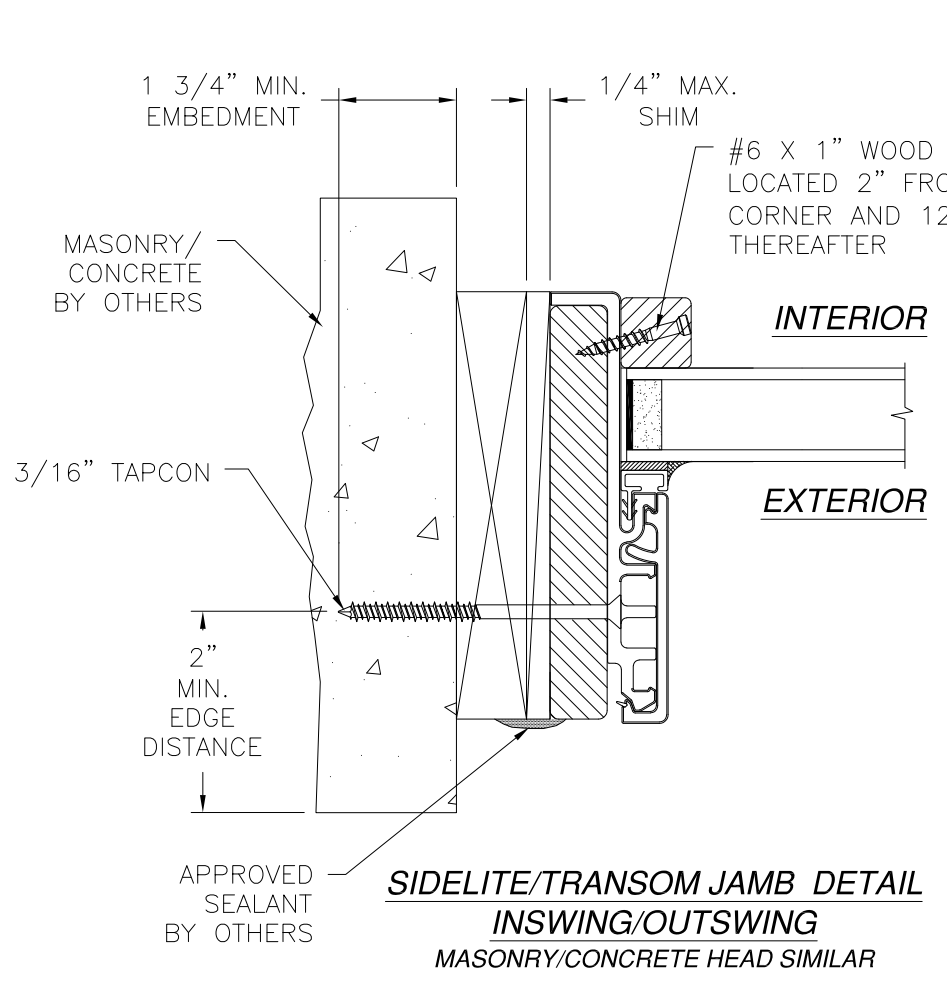


Luis R. Lomas P.E.
FL No.: 62514

REVISIONS			
REV	DESCRIPTION	DATE	APPROVED
L	ADDED GLAZED FIR TRIMS	08/26/2021	R.L.



- NOTES:**
1. INTERIOR AND EXTERIOR FINISHES, BY OTHERS, NOT SHOWN FOR CLARITY.
 2. PERIMETER AND JOINT SEALANT BY OTHERS TO BE DESIGNED IN ACCORDANCE WITH ASTM E2112



SIGNED: 09/08/2021

PROVIA, LLC.
2150 STATE ROUTE 39 WEST
SUGARCREEK, OH 44681

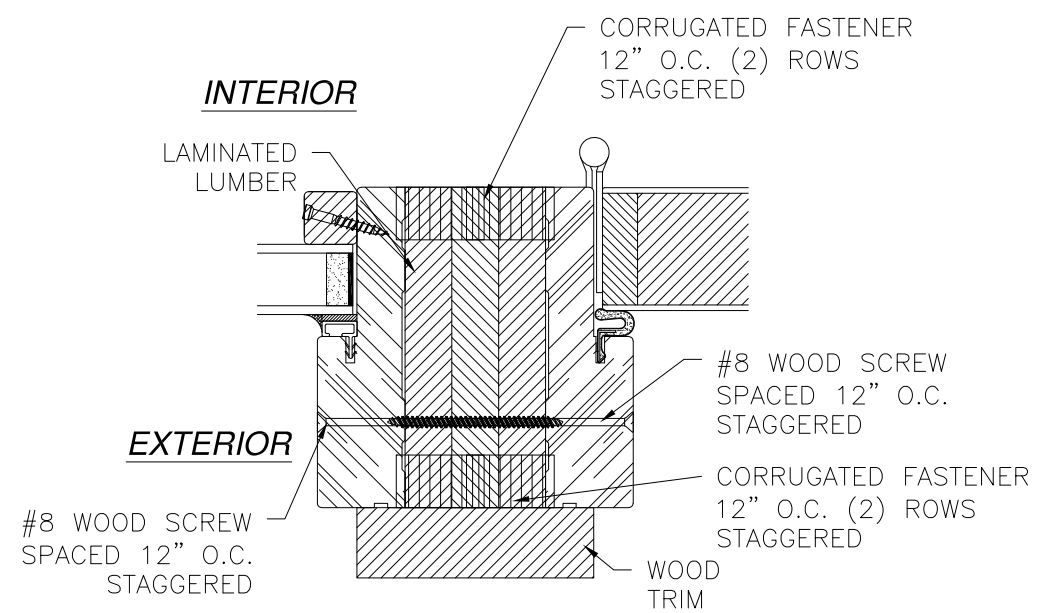
SIGNET IS/OS GLAZED FIBERGLASS DOOR
W/ AND W/OUT SIDELITES AND TRANSOM
INSTALLATION DETAILS W/FUSION FRAME

DRAWN: TJH	DWG NO. 08-00713	REV L
SCALE NTS	DATE 03/31/09	SHEET 13 OF 17

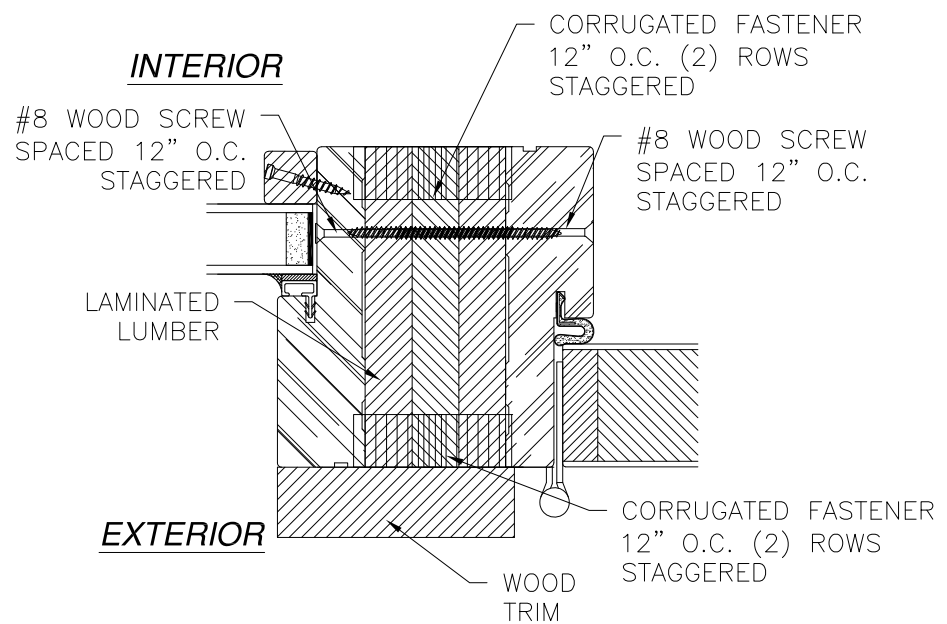
L. ROBERTO LOMAS P.E.
1432 WOODFORD RD LEWISVILLE, NC 27023
434-688-0609 rllomas@rlomaspe.com

Luis R. Lomas P.E.
FL No.: 62514

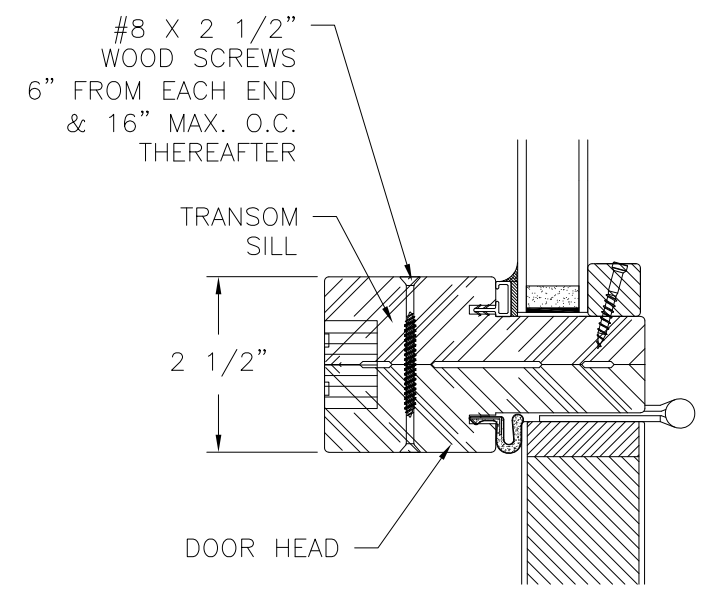
REVISIONS			
REV	DESCRIPTION	DATE	APPROVED
L	ADDED GLAZED FIR TRIMS	08/26/2021	R.L.



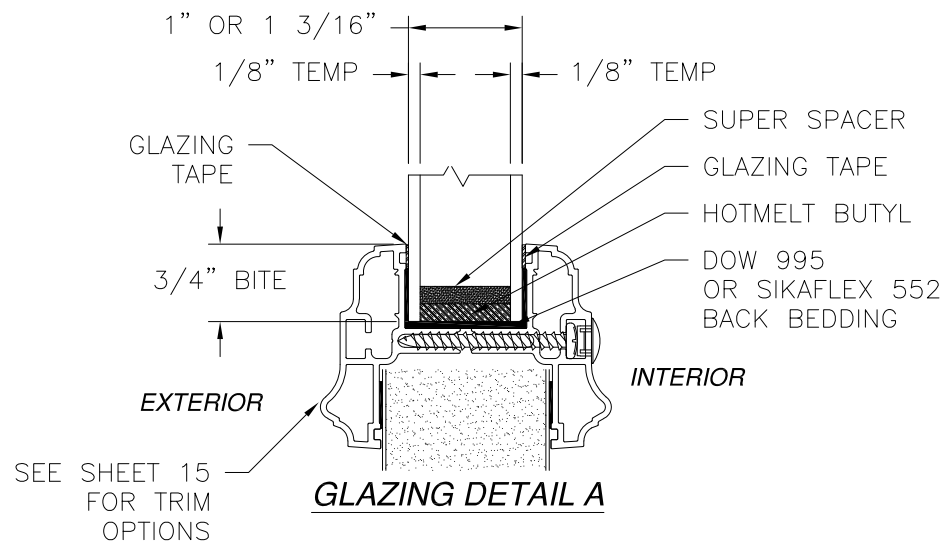
INSWING VERTICAL MULLION DETAIL
STANDARD FRAME SHOWN,
COMPOSITE AND FUSION FRAME SIMILAR



OUTSWING VERTICAL MULLION DETAIL
STANDARD FRAME SHOWN,
COMPOSITE AND FUSION FRAME SIMILAR

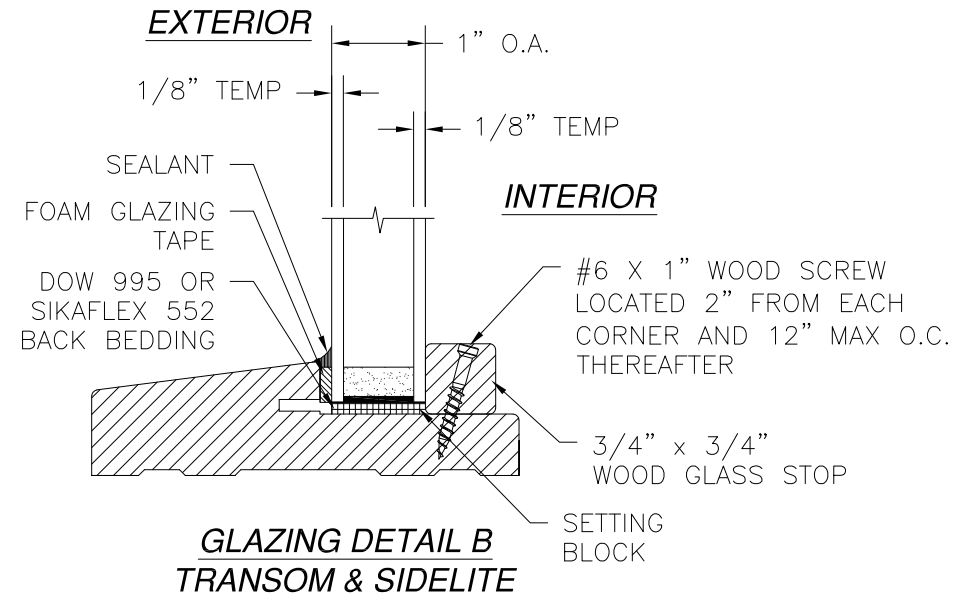


HORIZONTAL MULLION DETAIL
STANDARD FRAME SHOWN,
COMPOSITE AND FUSION FRAME SIMILAR

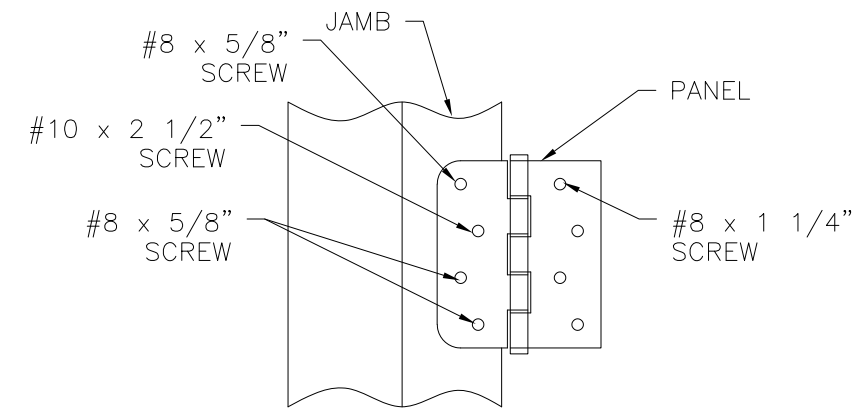


SEE SHEET 15
FOR TRIM
OPTIONS

GLAZING DETAIL A



GLAZING DETAIL B
TRANSOM & SIDELITE



HINGE INSTALLATION DETAIL

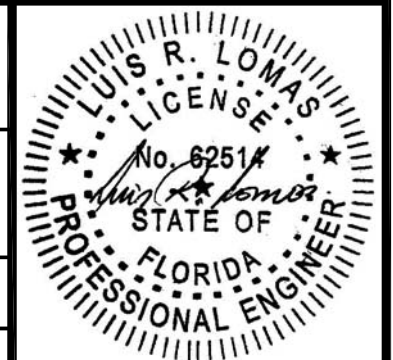
PROVIA, LLC.
2150 STATE ROUTE 39 WEST
SUGARCREEK, OH 44681

SIGNET IS/OS GLAZED FIBERGLASS DOOR
W/ AND W/OUT SIDELITES AND TRANSOM
HINGE AND MULLION DETAILS

DRAWN: TJH	DWG NO. 08-00713	REV L
SCALE NTS	DATE 03/31/09	SHEET 14 OF 17

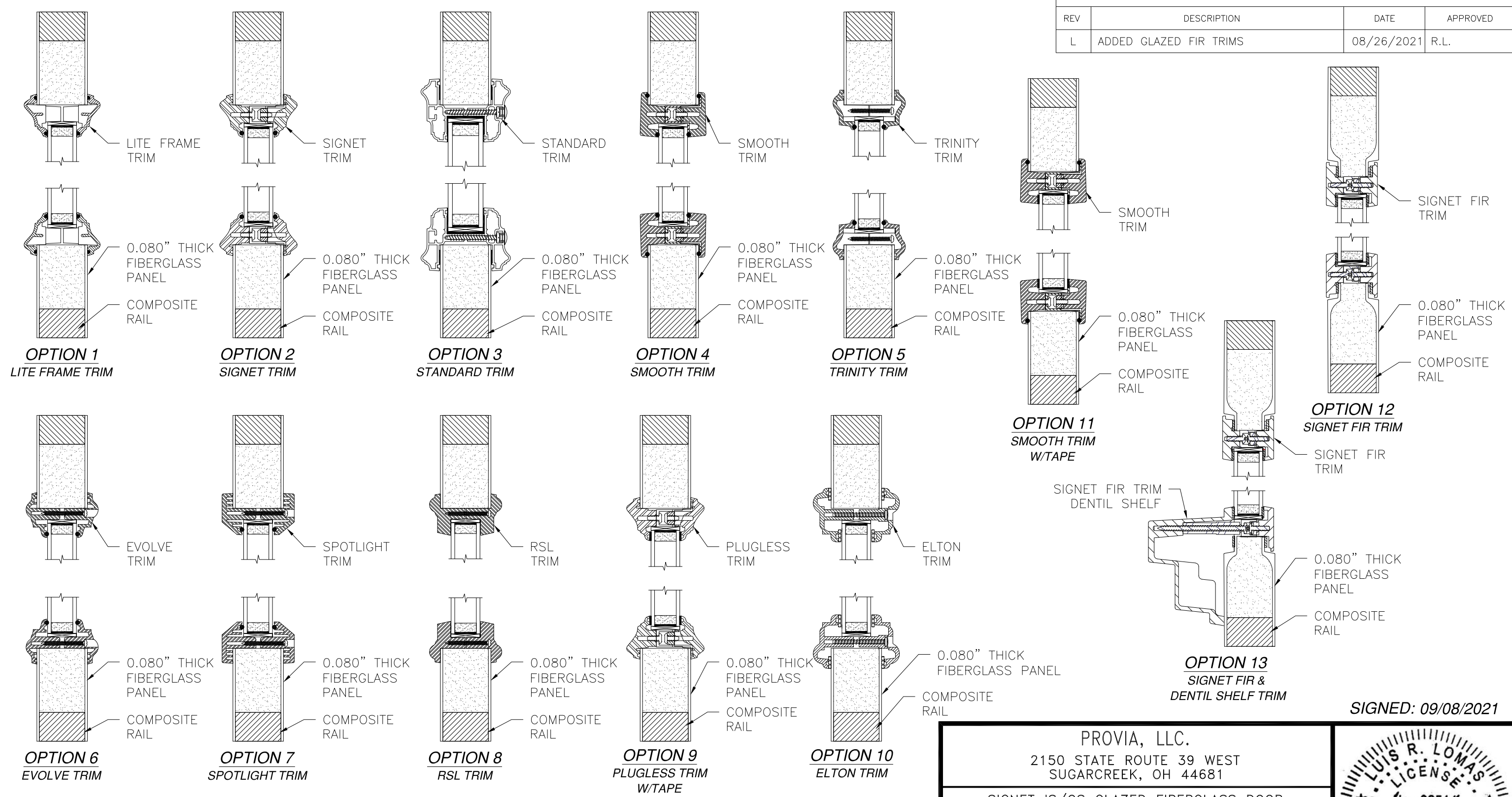
L. ROBERTO LOMAS P.E.
1432 WOODFORD RD LEWISVILLE, NC 27023
434-688-0609 rllomas@rlomaspe.com

SIGNED: 09/08/2021



Luis R. Lomas P.E.
FL No.: 62514

REVISIONS			
REV	DESCRIPTION	DATE	APPROVED
L	ADDED GLAZED FIR TRIMS	08/26/2021	R.L.



APPROVED SLABS AND TRIMS

PROVIA, LLC.
 2150 STATE ROUTE 39 WEST
 SUGARCREEK, OH 44681

SIGNET IS/OS GLAZED FIBERGLASS DOOR
 W/ AND W/OUT SIDELITES AND TRANSOM
 APPROVED SLABS AND TRIMS

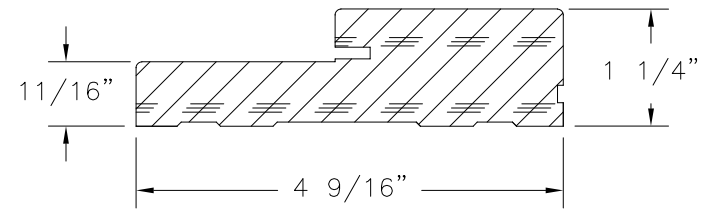
DRAWN: TJH	DWG NO. 08-00713	REV L
SCALE NTS	DATE 03/31/09	SHEET 15 OF 17

L. ROBERTO LOMAS P.E.
 1432 WOODFORD RD LEWISVILLE, NC 27023
 434-688-0609 rllomas@rlomaspe.com

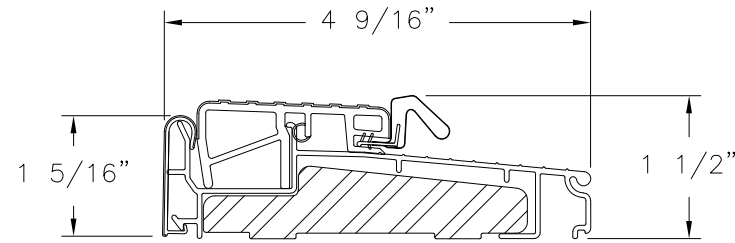
SIGNED: 09/08/2021

Luis R. Lomas P.E.
 FL No.: 62514

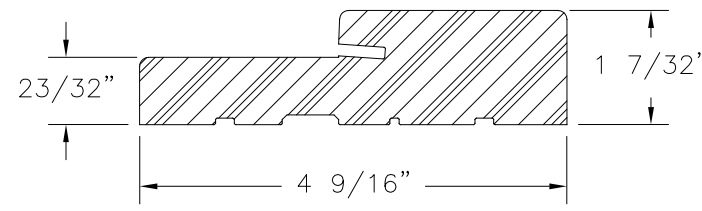
REVISIONS			
REV	DESCRIPTION	DATE	APPROVED
L	ADDED GLAZED FIR TRIMS	08/26/2021	R.L.



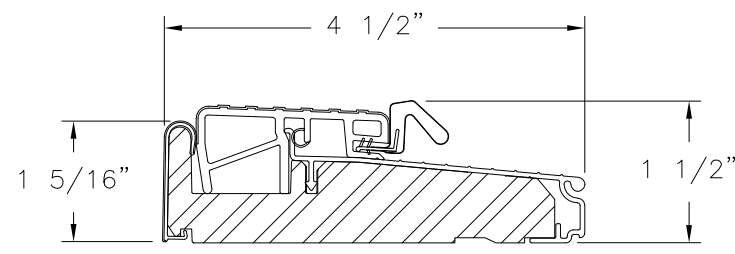
FRAME
WOOD G.46 MIN.



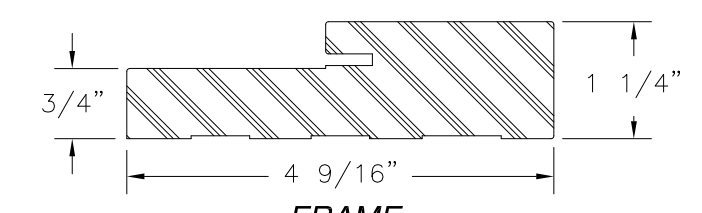
OUTSWING SILL ZOBL4565



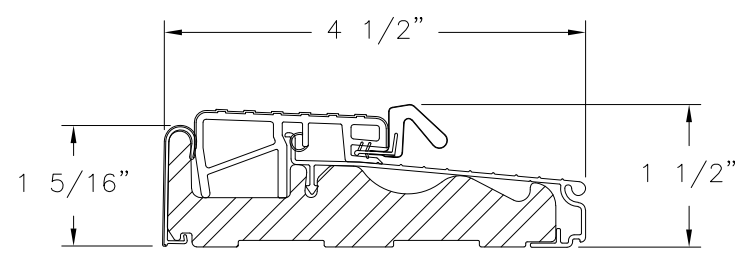
FRAMESAVER
COMPOSITE



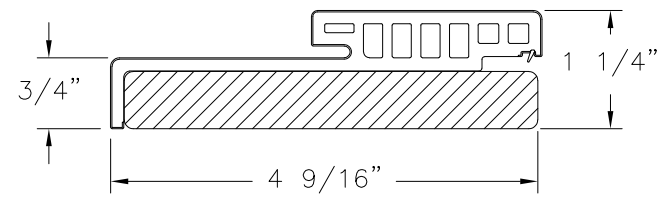
OUTSWING SILL ZOB4565F



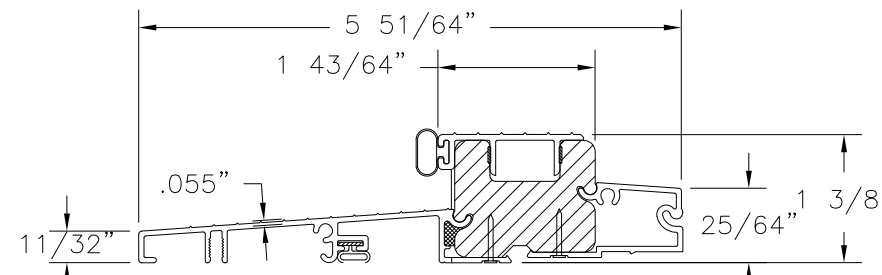
FRAME
COMPOSITE



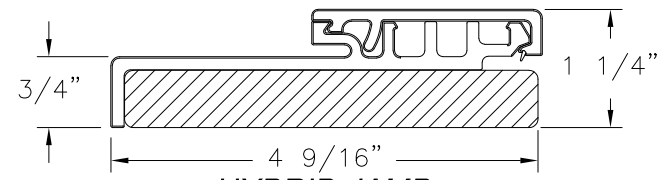
OUTSWING SILL ZOBLH4565



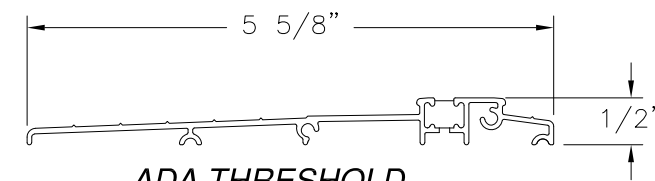
HYBRID HEAD
WOOD/COMPOSITE



OUTSWING SILL



HYBRID JAMB
WOOD/COMPOSITE



ADA THRESHOLD

PROVIA, LLC.
2150 STATE ROUTE 39 WEST
SUGARCREEK, OH 44681

SIGNET IS/OS GLAZED FIBERGLASS DOOR
W/ AND W/OUT SIDELITES AND TRANSOM
COMPONENTS

DRAWN: TJH	DWG NO. 08-00713	REV L
SCALE NTS	DATE 03/31/09	SHEET 16 OF 17

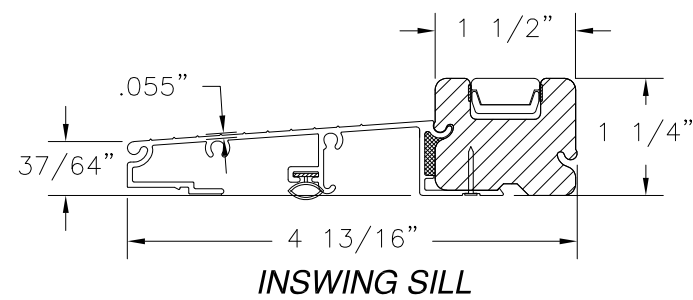
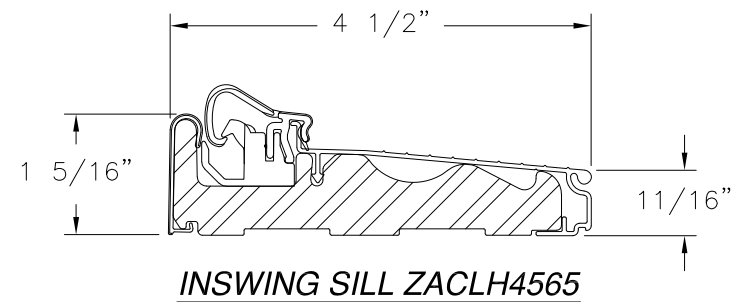
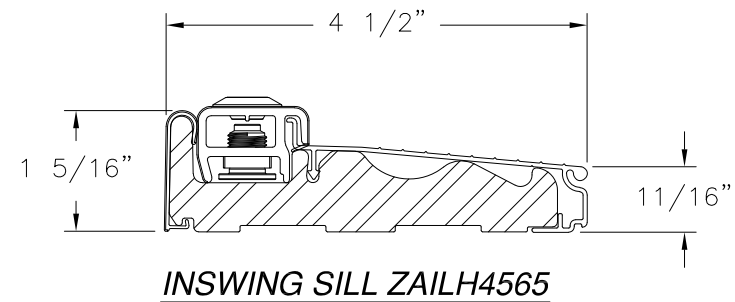
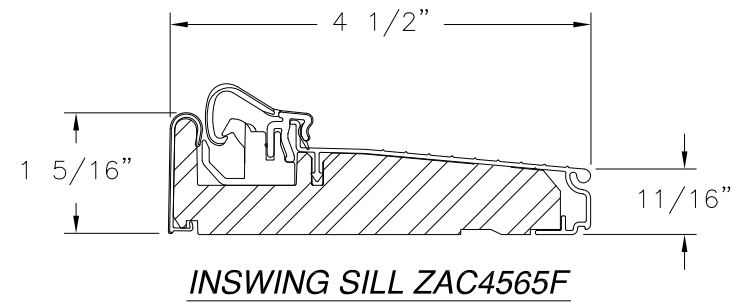
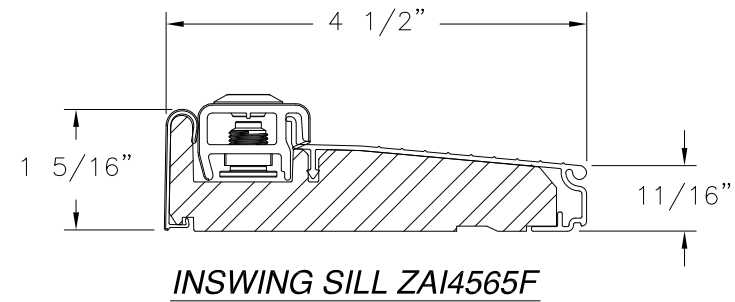
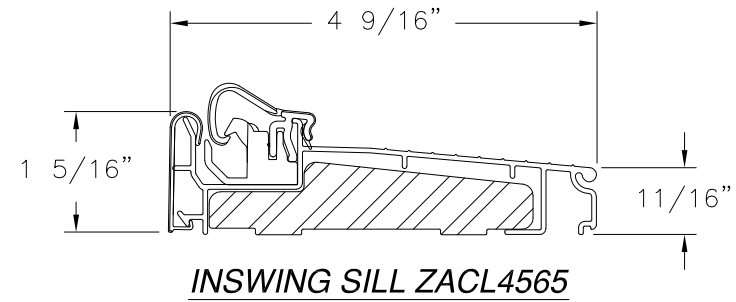
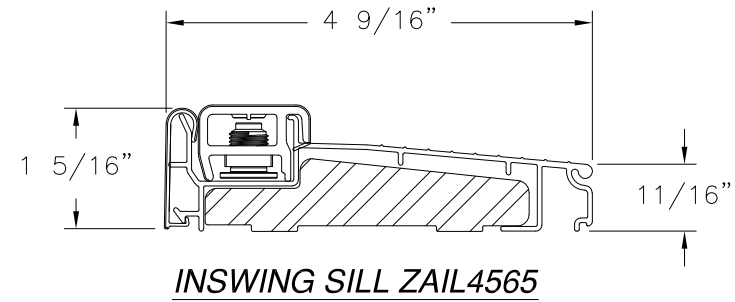
L. ROBERTO LOMAS P.E.
1432 WOODFORD RD LEWISVILLE, NC 27023
434-688-0609 rllomas@lrlomaspe.com

SIGNED: 09/08/2021



Luis R. Lomas P.E.
FL No.: 62514

REVISIONS			
REV	DESCRIPTION	DATE	APPROVED
L	ADDED GLAZED FIR TRIMS	08/26/2021	R.L.



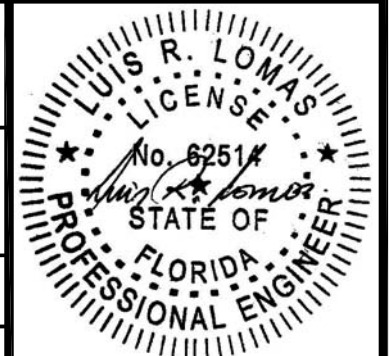
SIGNED: 09/08/2021

PROVIA, LLC.
 2150 STATE ROUTE 39 WEST
 SUGARCREEK, OH 44681

SIGNET IS/OS GLAZED FIBERGLASS DOOR
 W/ AND W/OUT SIDELITES AND TRANSOM
 COMPONENTS

DRAWN: TJH	DWG NO. 08-00713	REV L
SCALE NTS	DATE 03/31/09	SHEET 17 OF 17

L. ROBERTO LOMAS P.E.
 1432 WOODFORD RD LEWISVILLE, NC 27023
 434-688-0609 rllomas@lrlomaspe.com



Luis R. Lomas P.E.
 FL No.: 62514