

REVISIONS			
REV	DESCRIPTION	DATE	APPROVED
J	ADDED GLAZED FIR TRIMS	08/26/2021	R.L.

NOTES:

- 1) THE PRODUCT SHOWN HEREIN IS DESIGNED AND MANUFACTURED TO COMPLY WITH REQUIREMENTS OF FLORIDA BUILDING CODE.
- 2) WOOD FRAMING AND MASONRY OPENING TO BE DESIGNED AND ANCHORED TO PROPERLY TRANSFER ALL LOADS TO STRUCTURE. WOOD FRAMING AND MASONRY OPENING IS THE RESPONSIBILITY OF THE ARCHITECT OR ENGINEER OF RECORD.
- 3) 1X BUCK OVER MASONRY/CONCRETE IS OPTIONAL. WHERE 1X BUCK IS NOT USED DISSIMILAR MATERIALS MUST BE SEPARATED WITH APPROVED COATING OR MEMBRANE. SELECTION OF COATING OR MEMBRANE IS THE RESPONSIBILITY OF THE ARCHITECT OR ENGINEER OF RECORD.
- 4) APPROVED IMPACT PROTECTIVE SYSTEM IS REQUIRED FOR THIS PRODUCT IN WIND BORNE DEBRIS REGIONS.
- 5) UNITS MUST BE GLAZED PER ASTM E1300, WITH SAFETY GLAZING.
- 6) ALLOWABLE STRESS INCREASE OF 1/3 WAS NOT USED IN THE DESIGN OF THE PRODUCT SHOWN HEREIN. WIND LOAD DURATION FACTOR Cd=1.6 WAS USED FOR WOOD ANCHOR CALCULATIONS.
- 7) SHIM AS REQUIRED AT EACH INSTALLATION ANCHOR WITH LOAD BEARING SHIM. SHIM WHERE SPACE OF 1/16" OR GREATER OCCURS. MAXIMUM ALLOWABLE SHIM STACK TO BE 1/4".
- 8) FRAME MATERIAL: WOOD WITH G .46 MINIMUM SPECIFIC GRAVITY OR FRAMESAVER OR FUSION FRAME.
- 9) DOOR PANEL MATERIAL: .080" THICK FIBERGLASS WITH WOOD TOP RAIL AND COMPOSITE BOTTOM RAIL.
- 10) UNITS MAY BE INSTALLED WITH EITHER SCHLAGE F-SERIES DOOR KNOB AND B-SERIES OR F-SERIES DEADBOLT OR EMTEK RESIDENTIAL GRADE DOOR HANDLE ASSEMBLY OR MULTI-POINT LOCK HANDLE ASSEMBLY BY TRILENNIUM, SEE HARDWARE SCHEDULE SHEET 3 FOR APPROVED HARDWARE.


ANCHOR NOTES:

- 1) FOR ANCHORING INTO 2X BUCK OR WOOD FRAMING USE #10 WOOD SCREW OF SUFFICIENT LENGTH TO ACHIEVE A 1 3/8" MINIMUM EMBEDMENT INTO SUBSTRATE. LOCATE ANCHORS AS SHOWN IN ANCHORING LAYOUT AND INSTALLATION DETAILS.
- 2) FOR ANCHORING INTO MASONRY/CONCRETE USE 3/16" ITW TAPCON OF SUFFICIENT LENGTH TO ACHIEVE A 1 3/4" MINIMUM EMBEDMENT INTO SUBSTRATE WITH 2" MINIMUM EDGE DISTANCE. LOCATE ANCHORS AS SHOWN IN ANCHORING LAYOUT AND INSTALLATION DETAILS.
- 3) FOR ANCHORING INTO METAL STRUCTURE USE #10 SMS OR SELF DRILLING SCREW WITH SUFFICIENT LENGTH TO ACHIEVE 3 THREADS MINIMUM BEYOND STRUCTURE INTERIOR WALL. LOCATE ANCHORS AS SHOWN IN ELEVATIONS AND INSTALLATION DETAILS.
- 4) ALL FASTENERS TO BE CORROSION RESISTANT.
- 5) INSTALLATION ANCHOR CAPACITIES FOR PRODUCTS HEREIN ARE BASED ON SUBSTRATE MATERIAL WITH THE FOLLOWING PROPERTIES:
  - A. WOOD - G=0.42 MINIMUM SPECIFIC GRAVITY
  - B. CONCRETE - 2,000PSI MINIMUM COMPRESSIVE STRENGTH.
  - C. MASONRY - GROUT FILLED STRENGTH CONFORMANCE TO ASTM C-90, GRADE N, TYPE 1 (OR GREATER).
  - D. METAL STRUCTURE - STEEL 18GA (.048") FY=33KSI/FU=52KSI

SIGNED: 09/08/2021

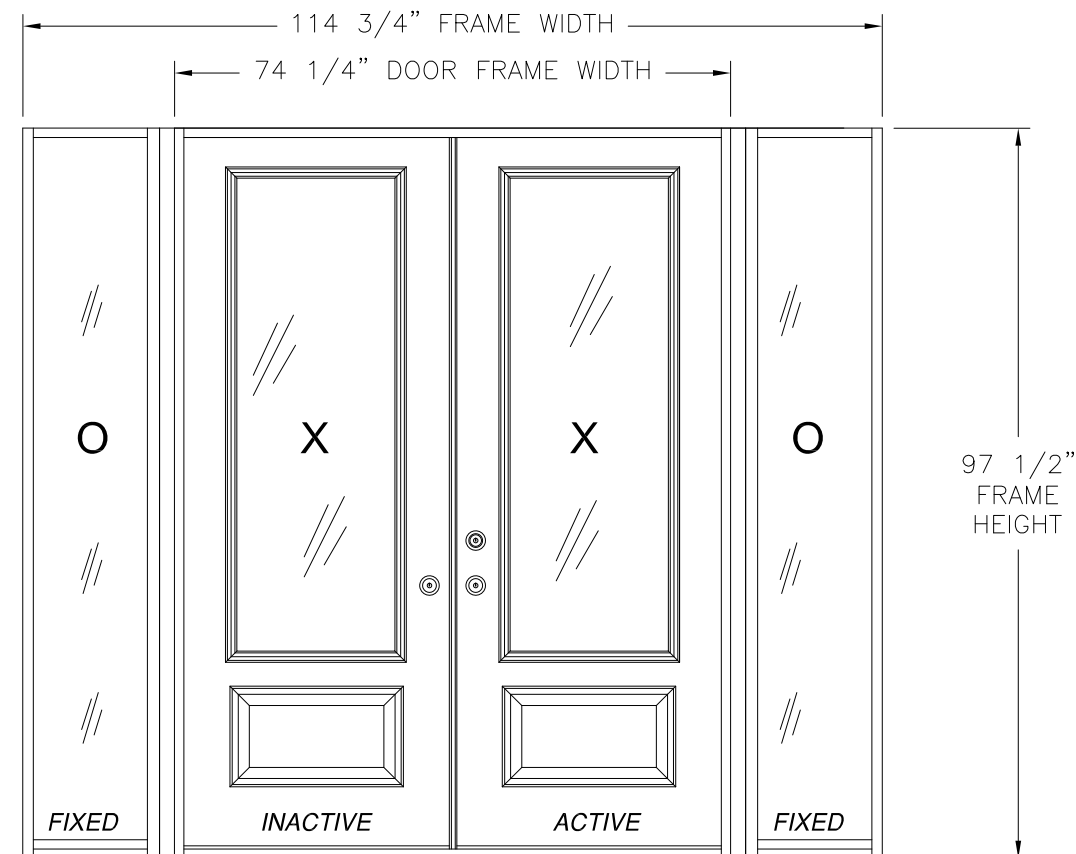
TABLE OF CONTENTS	
SHEET NO.	DESCRIPTION
1	NOTES
2 - 3	ELEVATIONS
4	ADDITIONAL INSWING/OUTSWING CONFIGURATIONS
5	ANCHORING LAYOUTS
6 - 17	INSTALLATION DETAILS
18 - 21	APPROVED SLABS, MULLION DETAILS AND COMPONENTS

<b>PROVIA, LLC.</b> 2150 STATE ROUTE 39 WEST SUGARCREEK, OH 44681		
SIGNET EMBOSSED IS/OS 8'0 GLAZED FIBERGLASS DOOR W/ AND W/OUT DIRECT SET SIDELITES NOTES		
DRAWN: TJH	DWG NO. 08-01162	REV J
SCALE NTS	DATE 02/09/11	SHEET 1 OF 21
L. ROBERTO LOMAS P.E. 1432 WOODFORD RD LEWISVILLE, NC 27023 434-688-0609 rllomas@rlomaspe.com		



Luis R. Lomas P.E.  
FL No.: 62514

REVISIONS			
REV	DESCRIPTION	DATE	APPROVED
J	ADDED GLAZED FIR TRIMS	08/26/2021	R.L.



<u>HARDWARE SCHEDULE</u>	
A.	F-SERIES LOCK ASSEMBLY DOOR KNOB BY SCHLAGE.
B.	B-SERIES DEADBOLT ASSEMBLY BY SCHLAGE.
C.	F-SERIES DEADBOLT ASSEMBLY BY SCHLAGE.
D.	RESIDENTIAL GRADE DOOR HANDLE ASSEMBLY BY EMTEK (ALTERNATE).
E.	MULTI-POINT LOCK HANDLE ASSEMBLY BY TRILENNIUM (ALTERNATE).
F.	INSWING HURRICANE ASTRAGAL BY ENDURA.
G.	OUTSWING HURRICANE ASTRAGAL BY ENDURA.
H.	(3) 4" x 4" BALL BEARING HINGES BY PENROD.
I.	(3) 4" x 4" SPRING BOMMER HINGES BY PENROD. (ALTERNATE)

**SIGNET EMBOSSED INSWING FIBERGLASS DOUBLE DOOR W DIRECT SET  
/SIDELITES  
EXTERIOR VIEW**

DESIGN PRESSURE RATING	IMPACT RATING
<b>+48.0/-52.0PSF</b>	NONE
THIS SYSTEM WAS NOT TESTED FOR WATER INFILTRATION AND IS TO BE INSTALLED ONLY WHERE THE WATER REQUIREMENT IS NOT NEEDED	

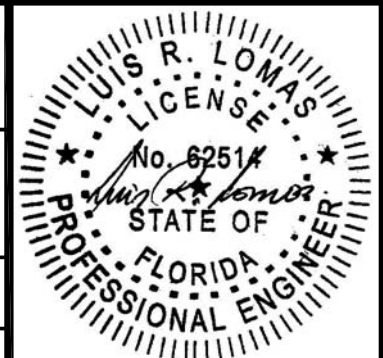
FOR ADDITIONAL APPROVED CONFIGURATIONS SEE SHEET 4.  
35 3/4" x 95" PANEL SIZE SHOWN. OTHER SIZES ARE APPROVED AS  
LONG AS INDIVIDUAL PANEL AREA DOES NOT EXCEED 23.58 FT<sup>2</sup>

**NOTES:**

- DOOR PANEL SIZE: 35 3/4" X 95"
- SIDELITE PANEL SIZE: 18 1/4" X 97 1/2"
- DOOR PANEL D.L.O.: 21 1/8" X 63 1/8"
- SIDELITE PANEL D.L.O.: 15 1/2" X 95"

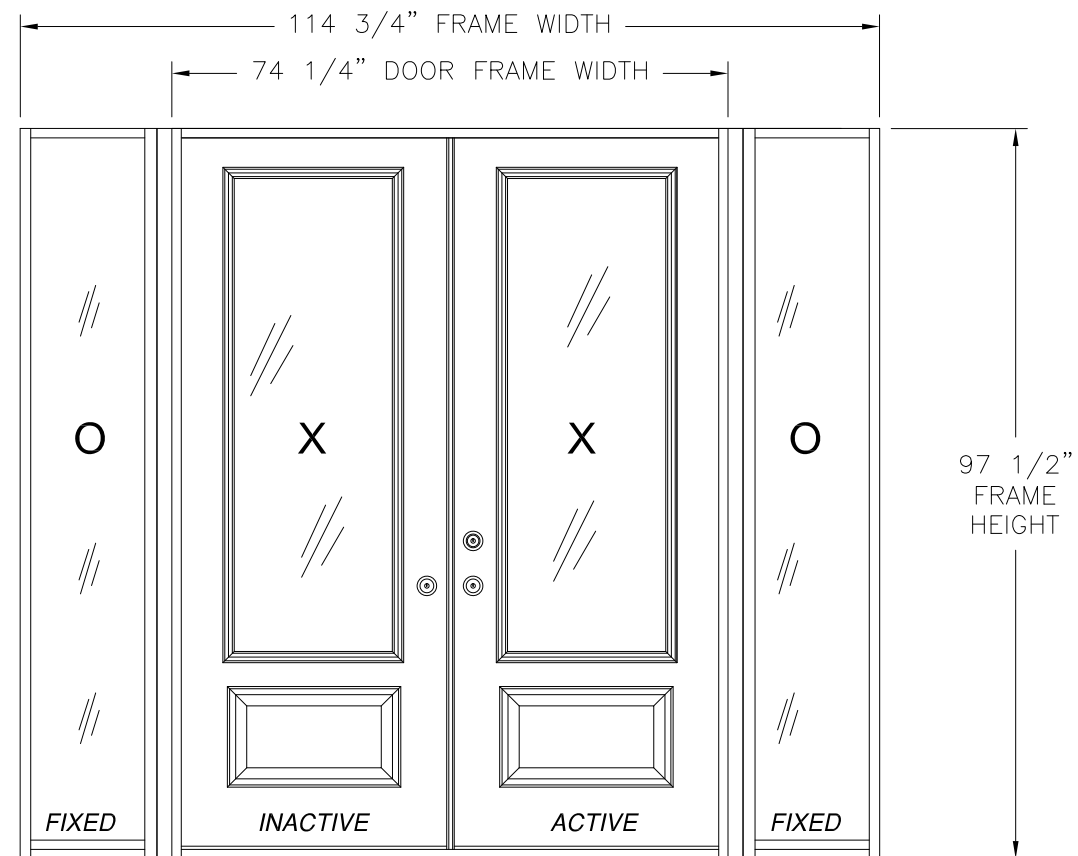
**SIGNED: 09/08/2021**

<b>PROVIA, LLC.</b> 2150 STATE ROUTE 39 WEST SUGARCREEK, OH 44681		
SIGNET EMBOSSED IS/OS 8'0 GLAZED FIBERGLASS DOOR W/ AND W/OUT DIRECT SET SIDELITES INSWING ELEVATION		
DRAWN: TJH	DWG NO. 08-01162	REV J
SCALE NTS	DATE 02/09/11	SHEET 2 OF 21
L. ROBERTO LOMAS P.E. 1432 WOODFORD RD LEWISVILLE, NC 27023 434-688-0609 rllomas@lrlomaspe.com		



Luis R. Lomas P.E.  
FL No.: 62514

REVISIONS			
REV	DESCRIPTION	DATE	APPROVED
J	ADDED GLAZED FIR TRIMS	08/26/2021	R.L.



**SIGNET EMBOSSED OUTSWING FIBERGLASS DOUBLE DOOR W/  
DIRECT SET SIDELITES**  
EXTERIOR VIEW

DESIGN PRESSURE RATING	IMPACT RATING
+48.0/-52.0PSF	NONE
THIS SYSTEM WAS NOT TESTED FOR WATER INFILTRATION AND IS TO BE INSTALLED ONLY WHERE THE WATER REQUIREMENT IS NOT NEEDED	

FOR ADDITIONAL APPROVED CONFIGURATIONS SEE SHEET 4.  
35 3/4" x 95" PANEL SIZE SHOWN. OTHER SIZES ARE APPROVED AS  
LONG AS INDIVIDUAL PANEL AREA DOES NOT EXCEED 23.58 FT<sup>2</sup>

**NOTES:**

1. DOOR PANEL SIZE: 35 3/4" X 95"
2. SIDELITE PANEL SIZE: 18 1/4" X 97 1/2"
3. DOOR PANEL D.L.O.: 21 1/8" X 63 1/8"
4. SIDELITE PANEL D.L.O.: 15 1/2" X 95"

<b>HARDWARE SCHEDULE</b>	
A.	F-SERIES LOCK ASSEMBLY DOOR KNOB BY SCHLAGE.
B.	B-SERIES DEADBOLT ASSEMBLY BY SCHLAGE.
C.	F-SERIES DEADBOLT ASSEMBLY BY SCHLAGE.
D.	RESIDENTIAL GRADE DOOR HANDLE ASSEMBLY BY EMTEK (ALTERNATE).
E.	MULTI-POINT LOCK HANDLE ASSEMBLY BY TRILENNIUM (ALTERNATE).
F.	INSWING HURRICANE ASTRAGAL BY ENDURA.
G.	OUTSWING HURRICANE ASTRAGAL BY ENDURA.
H.	(3) 4" x 4" BALL BEARING HINGES BY PENROD.
I.	(3) 4" x 4" SPRING BOMMER HINGES BY PENROD. (ALTERNATE)

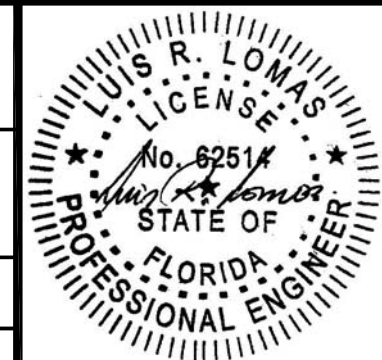
SIGNED: 09/08/2021

**PROVIA, LLC.**  
2150 STATE ROUTE 39 WEST  
SUGARCREEK, OH 44681

SIGNET EMBOSSED IS/OS 8'0 GLAZED FIBERGLASS  
DOOR W/ AND W/OUT DIRECT SET SIDELITES  
OUTSWING ELEVATION AND HARDWARE

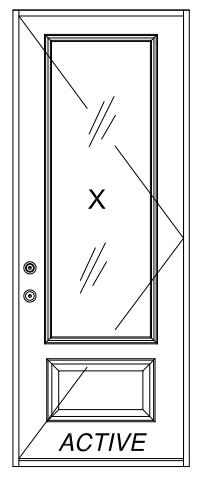
DRAWN: TJH	DWG NO. 08-01162	REV J
SCALE NTS	DATE 02/09/11	SHEET 3 OF 21

L. ROBERTO LOMAS P.E.  
1432 WOODFORD RD LEWISVILLE, NC 27023  
434-688-0609 rllomas@rlomaspe.com

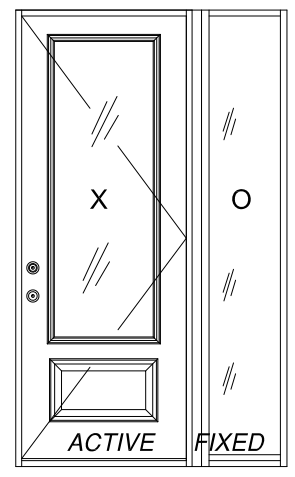


Luis R. Lomas P.E.  
FL No.: 62514

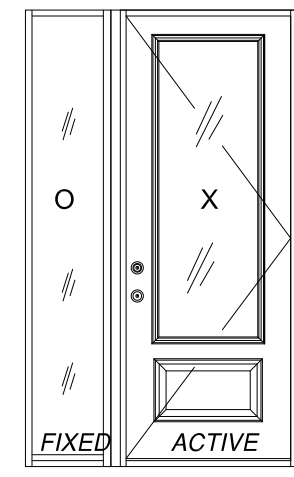
REVISIONS			
REV	DESCRIPTION	DATE	APPROVED
J	ADDED GLAZED FIR TRIMS	08/26/2021	R.L.



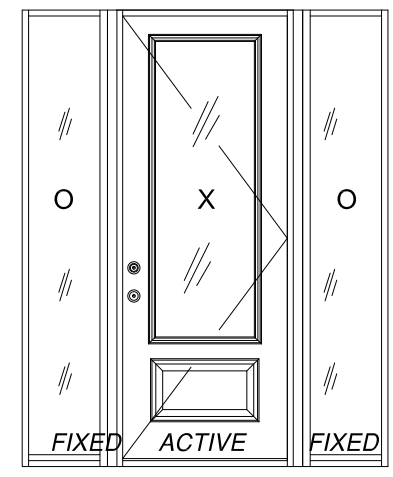
**SINGLE**



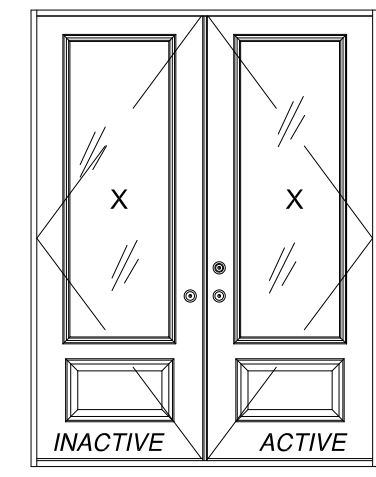
**SINGLE W/SIDELITE**



**SINGLE W/SIDELITE**

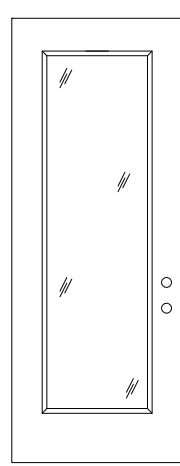


**SINGLE W/SIDELITES**

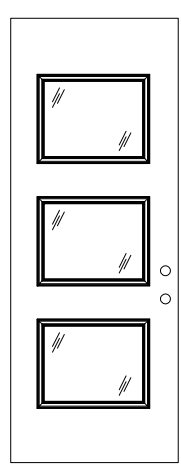


**DOUBLE**

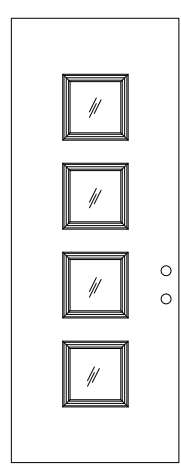
**APPROVED LITE CONFIGURATIONS**



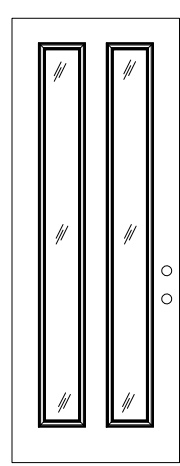
**FULL LITE**



**3 LITE**



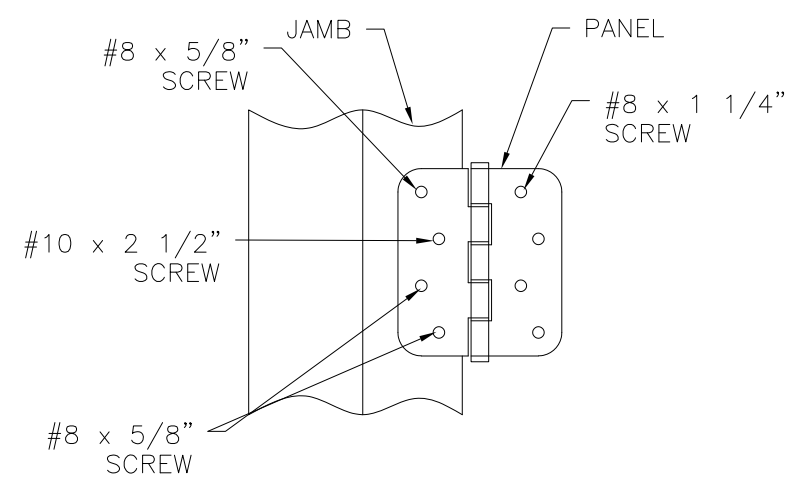
**4 LITE**



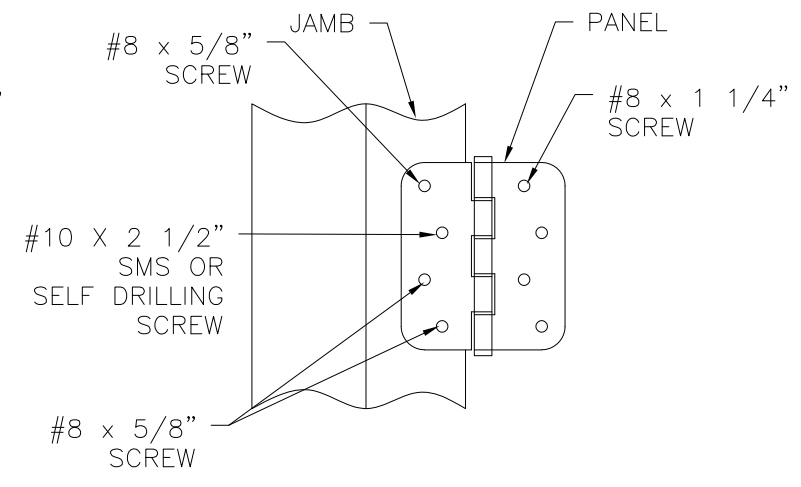
**2 LITE**

LITE CONFIGURATIONS SHOWN ARE FOR REFERENCE ONLY. MULTIPLE LITE CONFIGURATIONS ARE APPROVED AS LONG AS LITE SIZE DOES NOT EXCEED 11.5 FT<sup>2</sup>

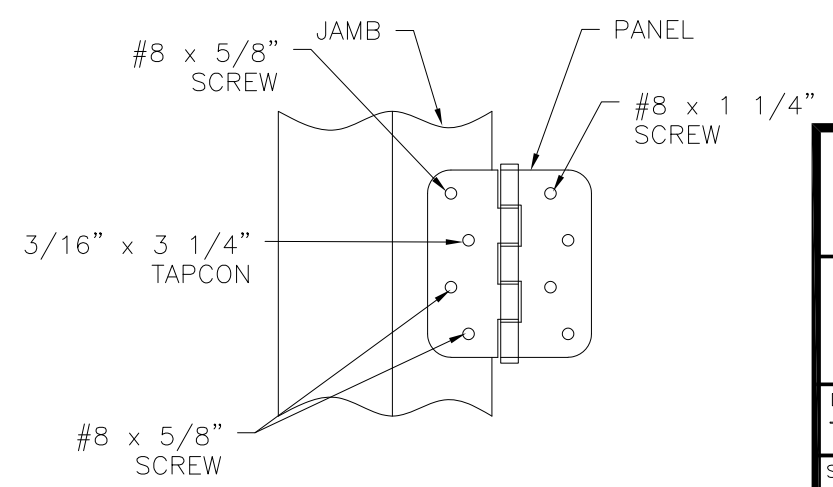
NOTE:  
APPROVED CONFIGURATIONS MAY BE INSWING OR OUTSWING MODELS. APPROVED CONFIGURATIONS ARE SHOWN AS RIGHT HAND ACTIVE, LEFT HAND ACTIVE IS ALSO APPROVED.



**HINGE INSTALLATION DETAIL**  
MULLION OR 2X/WOOD FRAMING INSTALLATION



**HINGE INSTALLATION DETAIL**  
METAL STRUCTURE INSTALLATION



**HINGE INSTALLATION DETAIL**  
MASONRY/CONCRETE INSTALLATION

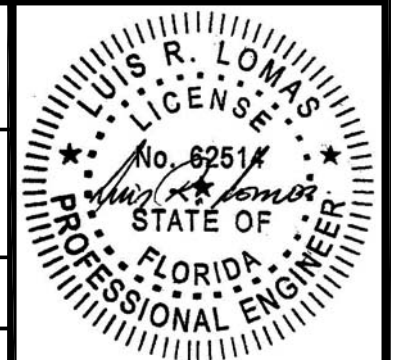
SIGNED: 09/08/2021

**PROVIA, LLC.**  
2150 STATE ROUTE 39 WEST  
SUGARCREEK, OH 44681

SIGNET EMBOSSED IS/OS 8'0 GLAZED FIBERGLASS DOOR W/ AND W/OUT DIRECT SET SIDELITES INSWING/ OUTSWING ADDITIONAL CONFIGURATIONS

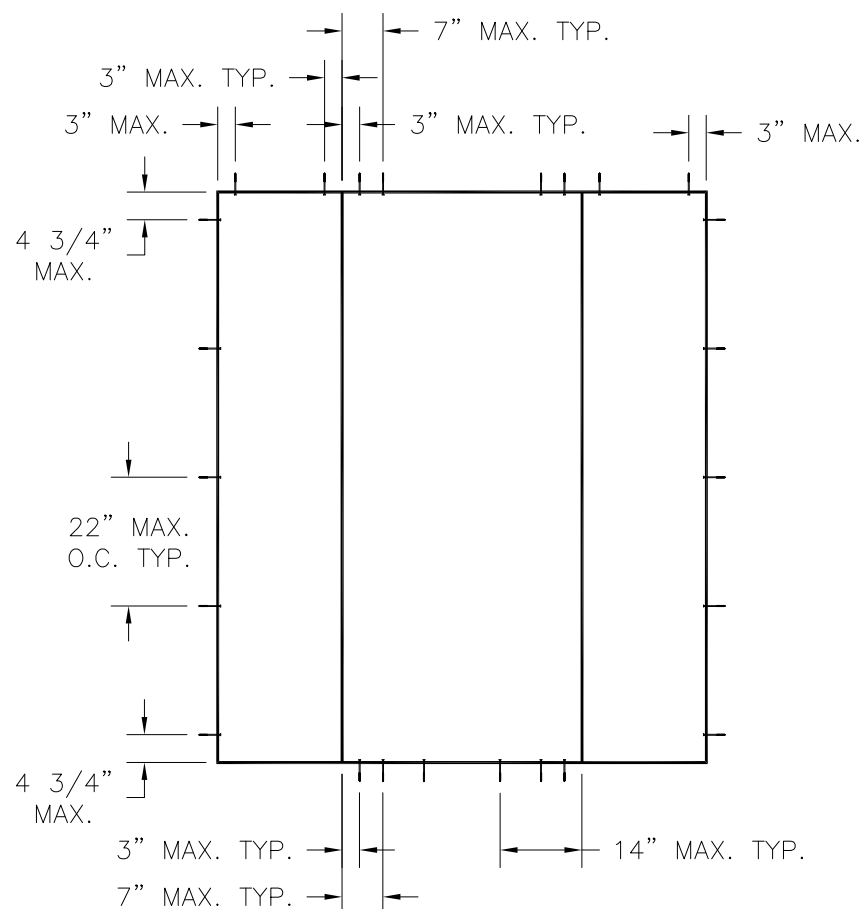
DRAWN: TJH	DWG NO. 08-01162	REV J
SCALE NTS	DATE 02/09/11	SHEET 4 OF 21

L. ROBERTO LOMAS P.E.  
1432 WOODFORD RD LEWISVILLE, NC 27023  
434-688-0609 rllomas@rlomaspe.com

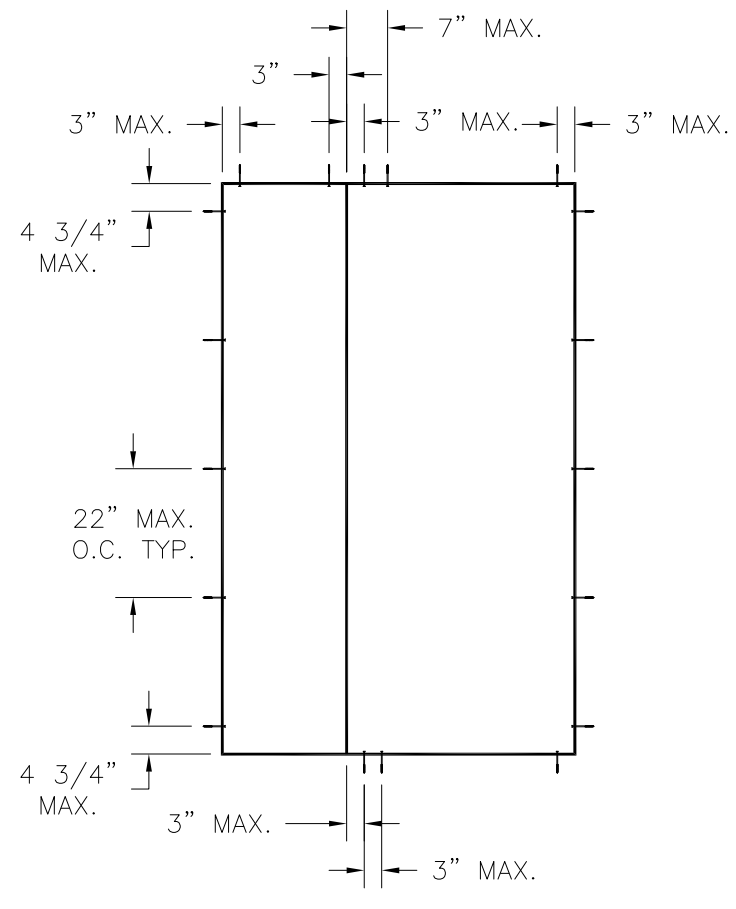


Luis R. Lomas P.E.  
FL No.: 62514

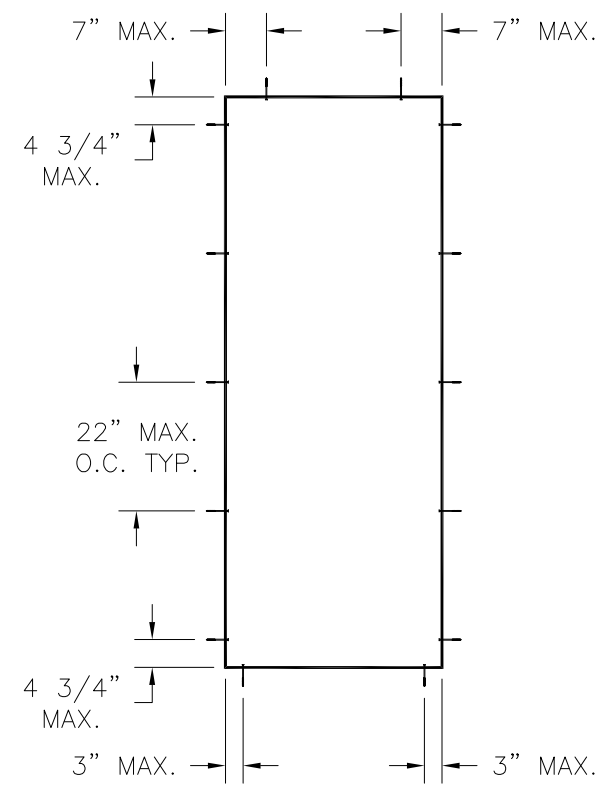
REVISIONS			
REV	DESCRIPTION	DATE	APPROVED
J	ADDED GLAZED FIR TRIMS	08/26/2021	R.L.



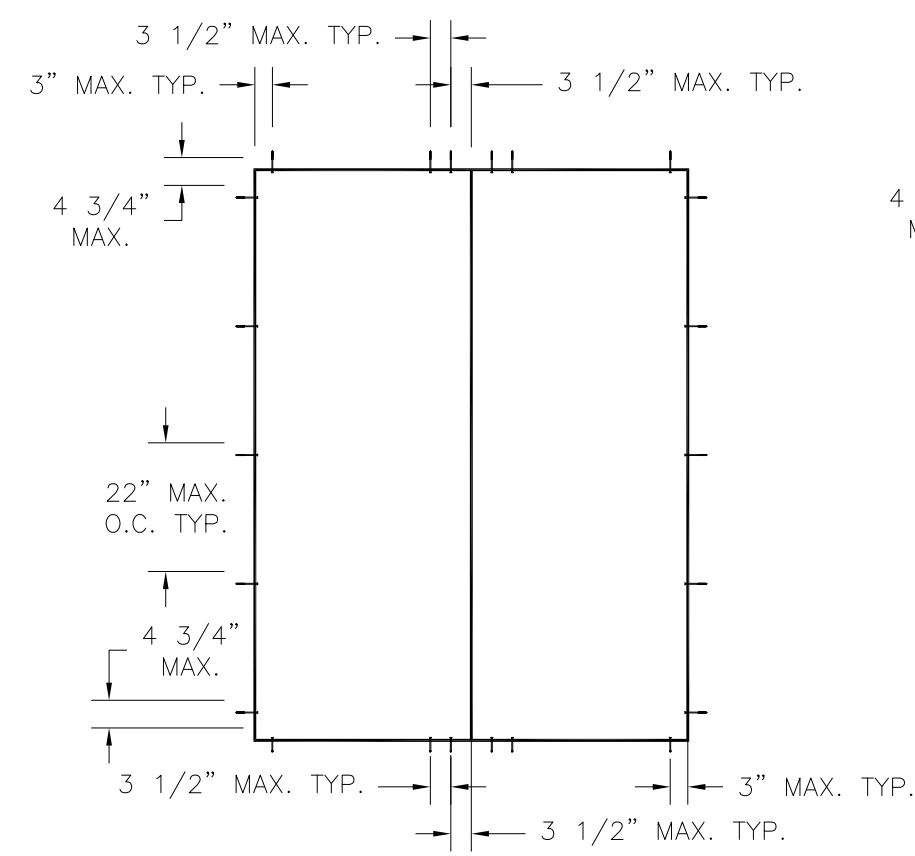
**SINGLE W/SIDELITES**



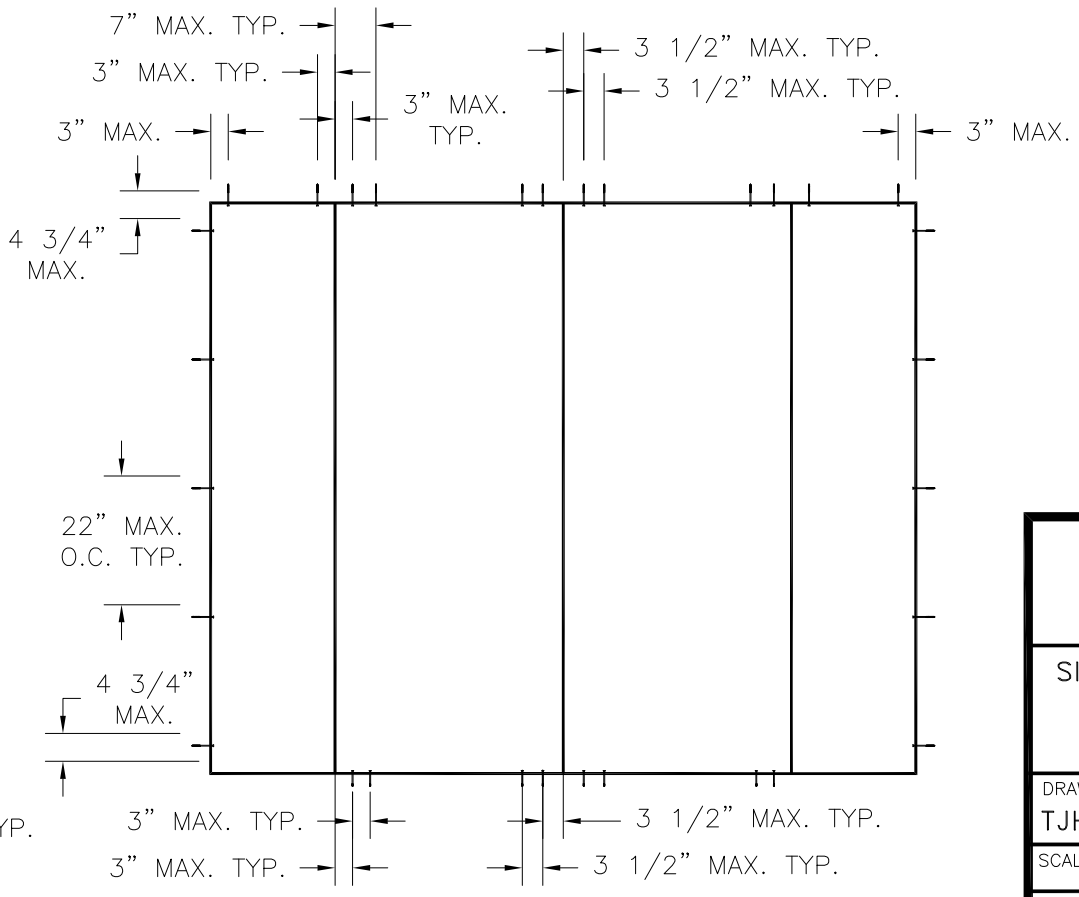
**SINGLE W/SIDELITE**



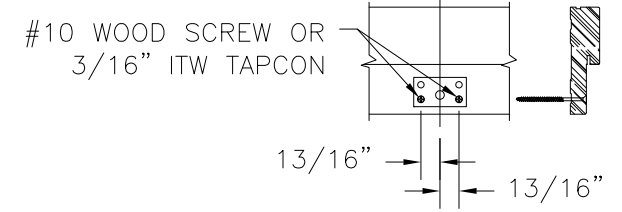
**SINGLE**



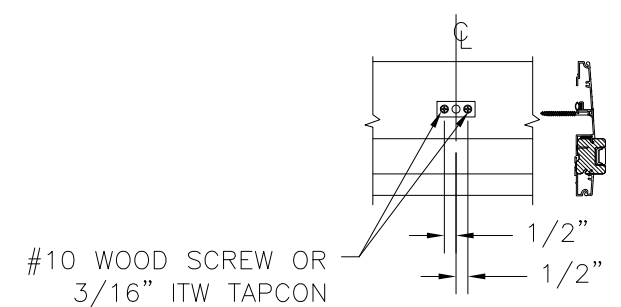
**DOUBLE**



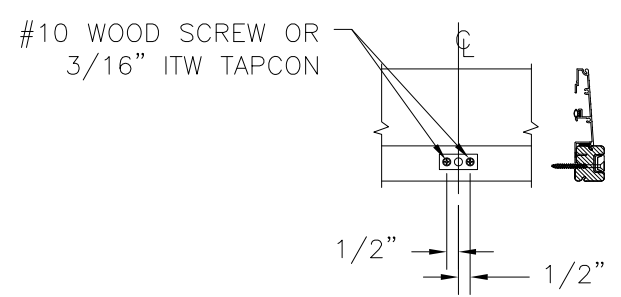
**DOUBLE W/SIDELITES**



**HEAD STRIKE DETAIL  
TYPICAL INSWING AND OUTSWING**



**SILL STRIKE DETAIL  
OUTSWING**



**SILL STRIKE DETAIL  
INSWING**

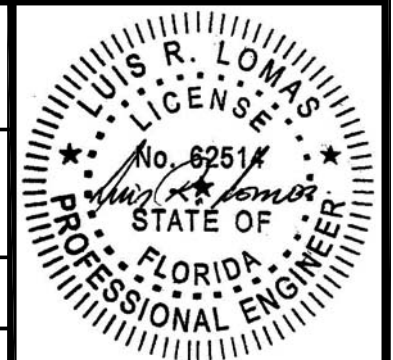
SIGNED: 09/08/2021

**PROVIA, LLC.**  
2150 STATE ROUTE 39 WEST  
SUGARCREEK, OH 44681

SIGNET EMBOSSED IS/OS 8'0 GLAZED FIBERGLASS  
DOOR W/ AND W/OUT DIRECT SET SIDELITES  
ANCHORING LAYOUTS

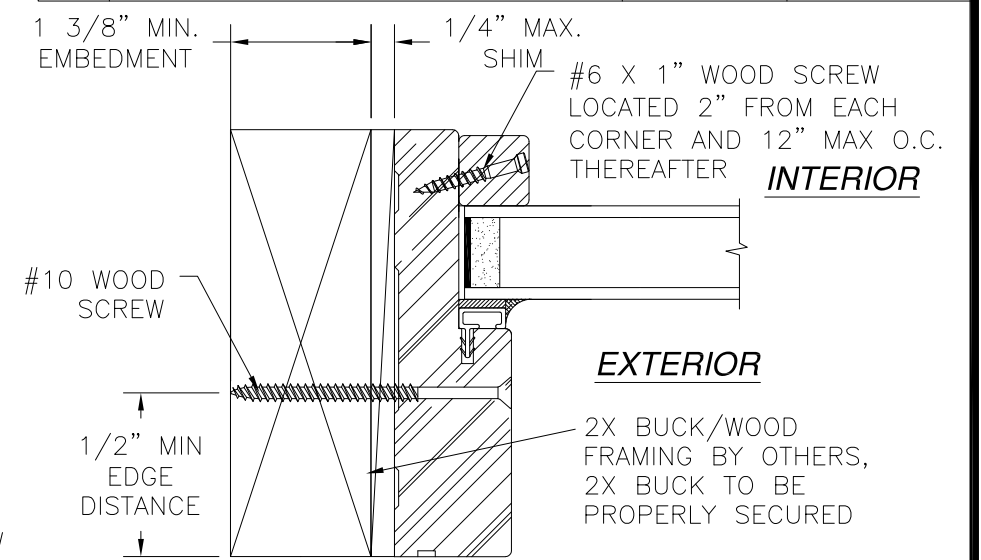
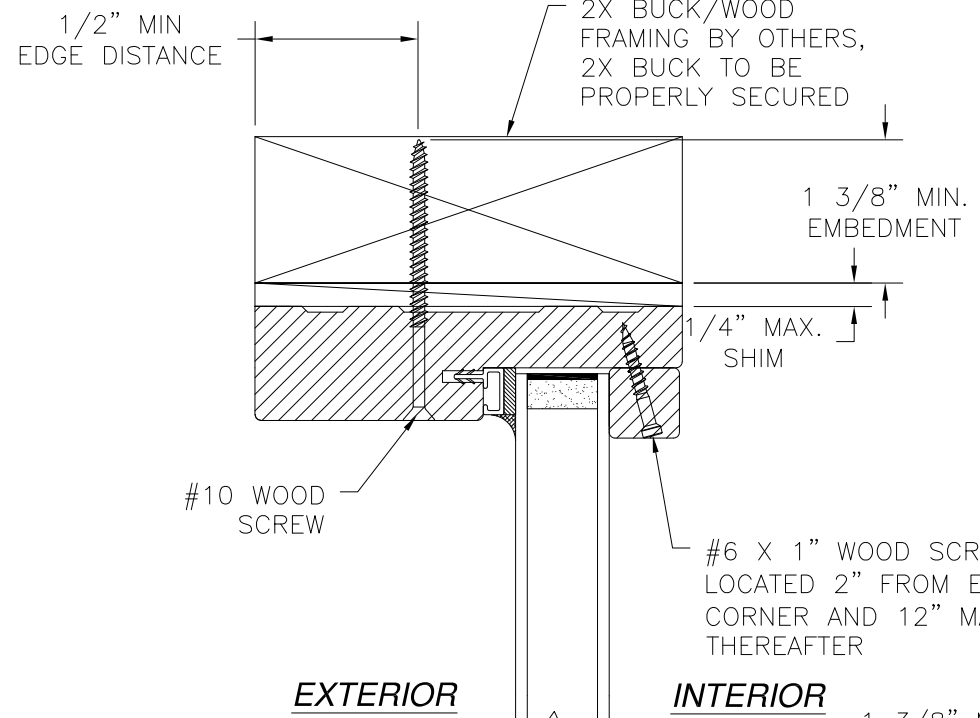
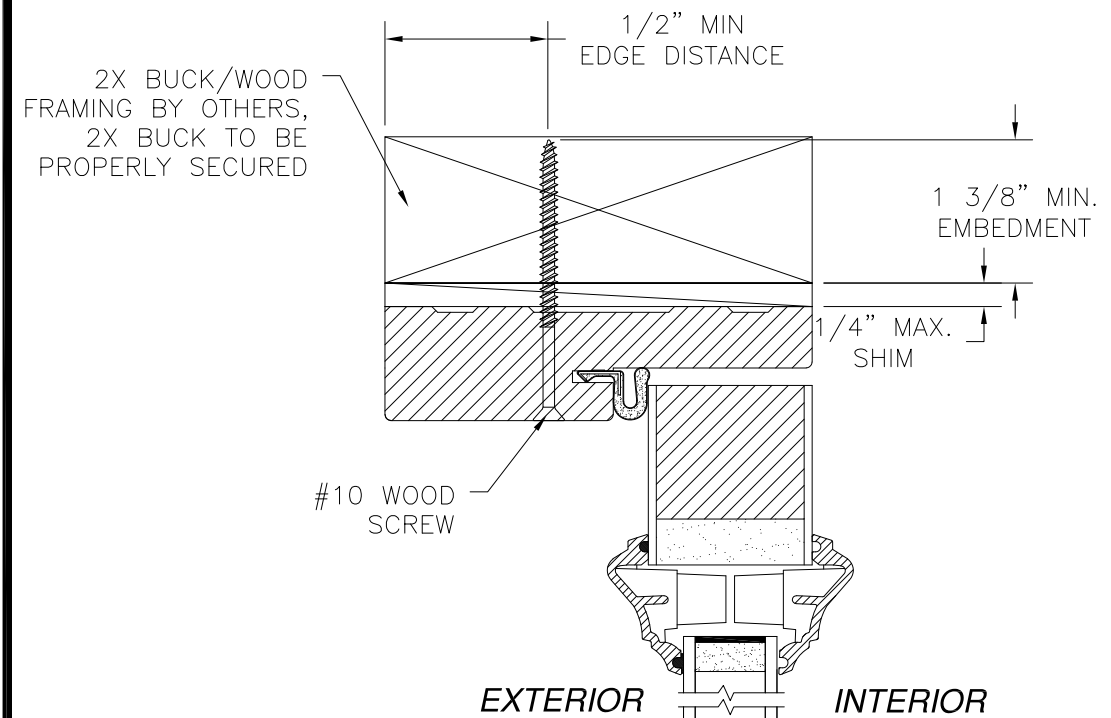
DRAWN: TJH	DWG NO. 08-01162	REV J
SCALE NTS	DATE 02/09/11	SHEET 5 OF 21

L. ROBERTO LOMAS P.E.  
1432 WOODFORD RD LEWISVILLE, NC 27023  
434-688-0609 rllomas@rlomaspe.com

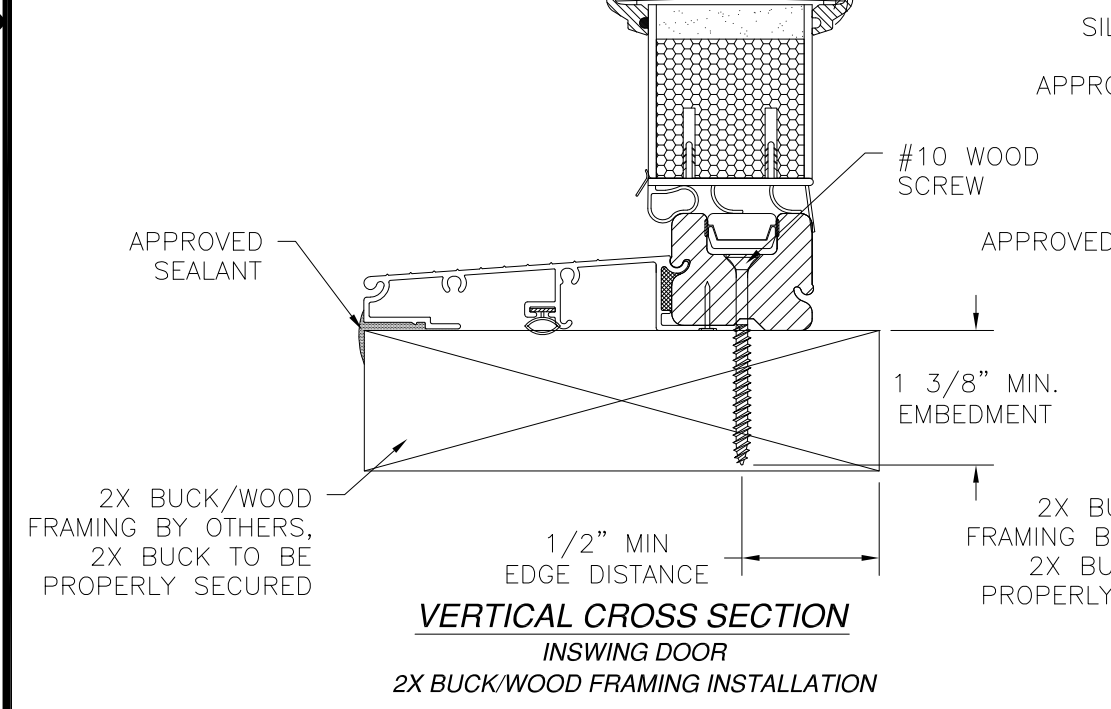


Luis R. Lomas P.E.  
FL No.: 62514

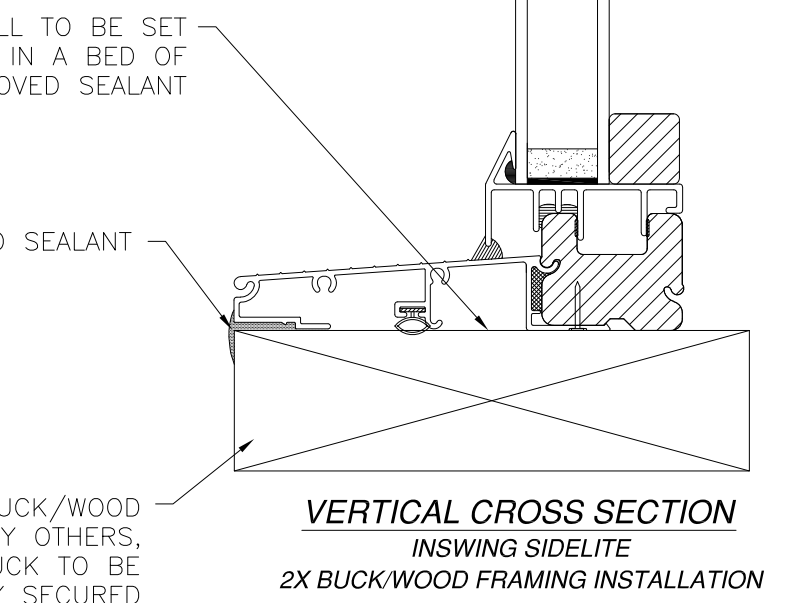
REVISIONS			
REV	DESCRIPTION	DATE	APPROVED
J	ADDED GLAZED FIR TRIMS	08/26/2021	R.L.



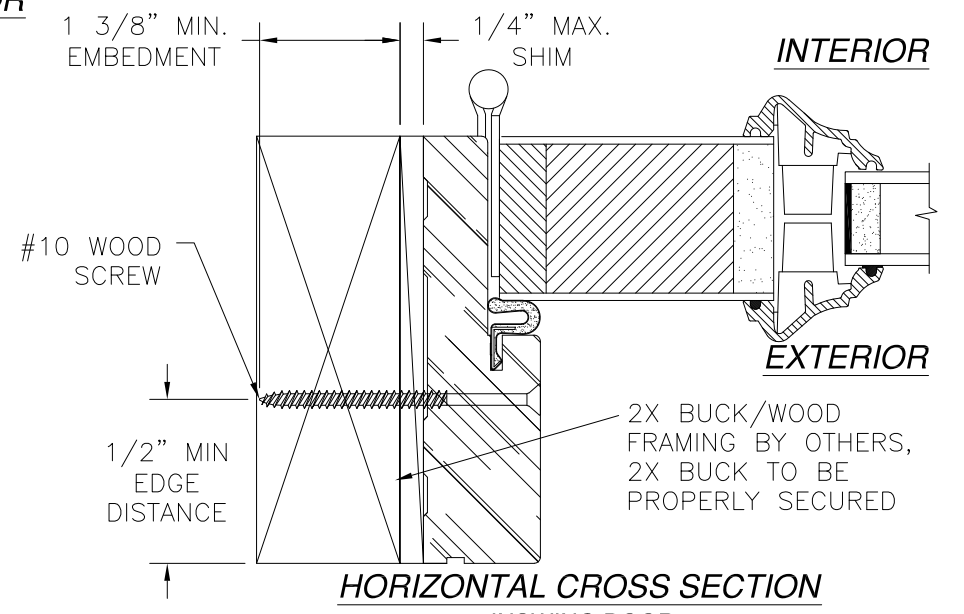
**HORIZONTAL CROSS SECTION**  
INSWING SIDELITE  
2X BUCK/WOOD FRAMING INSTALLATION



**VERTICAL CROSS SECTION**  
INSWING DOOR  
2X BUCK/WOOD FRAMING INSTALLATION



**VERTICAL CROSS SECTION**  
INSWING SIDELITE  
2X BUCK/WOOD FRAMING INSTALLATION



**HORIZONTAL CROSS SECTION**  
INSWING DOOR  
2X BUCK/WOOD FRAMING INSTALLATION

SIGNED: 09/08/2021

- NOTES:
1. INTERIOR AND EXTERIOR FINISHES, BY OTHERS, NOT SHOWN FOR CLARITY.
  2. PERIMETER AND JOINT SEALANT BY OTHERS TO BE DESIGNED IN ACCORDANCE WITH ASTM E2112

PROVIA, LLC.  
2150 STATE ROUTE 39 WEST  
SUGARCREEK, OH 44681

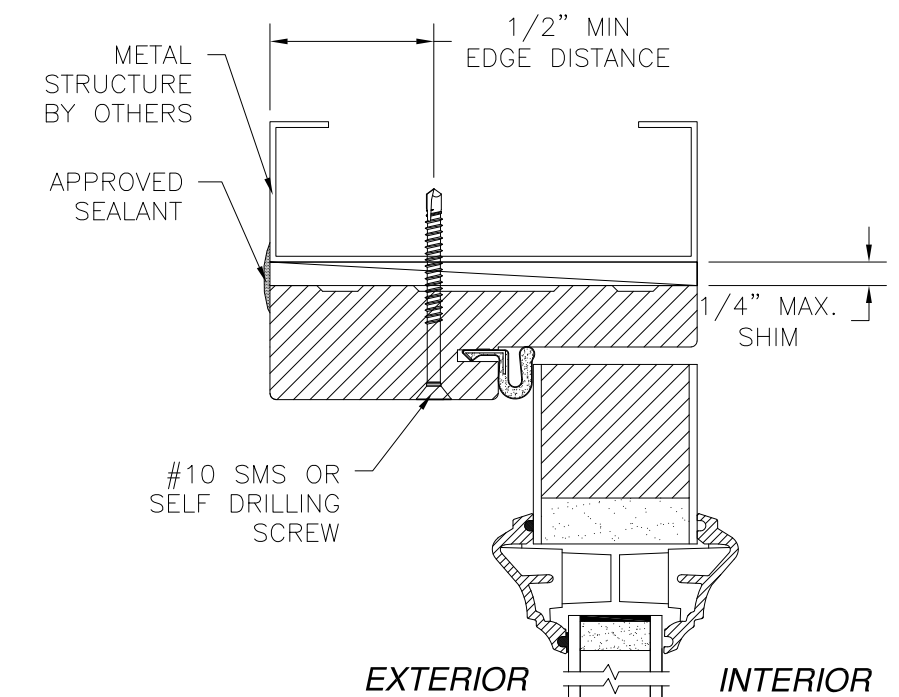
SIGNET EMBOSSED IS/OS 8'0 GLAZED FIBERGLASS DOOR W/ AND W/OUT DIRECT SET SIDELITES  
INSWING INSTALLATION DETAILS

DRAWN: TJH	DWG NO. 08-01162	REV J
SCALE NTS	DATE 02/09/11	SHEET 6 OF 21

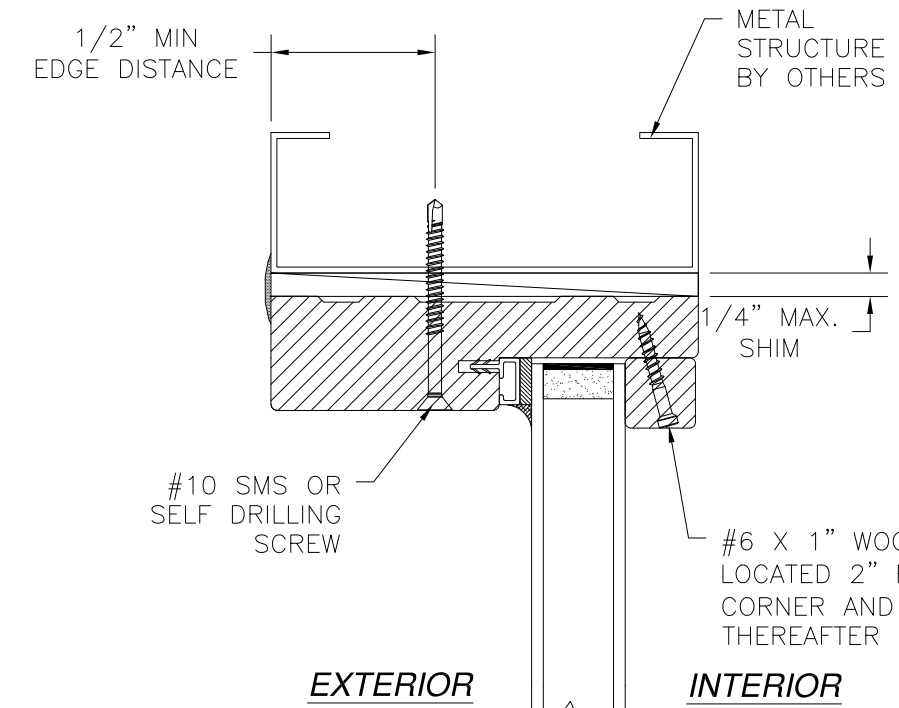
L. ROBERTO LOMAS P.E.  
1432 WOODFORD RD LEWISVILLE, NC 27023  
434-688-0609 rllomas@rlomaspe.com

Luis R. Lomas P.E.  
FL No.: 62514

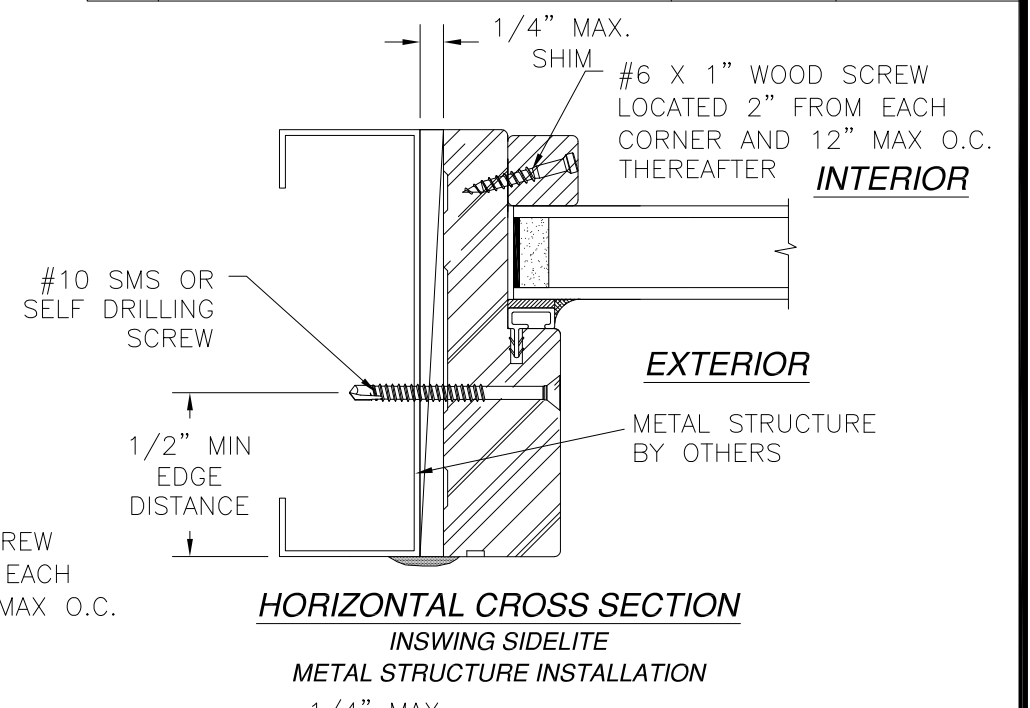
REVISIONS			
REV	DESCRIPTION	DATE	APPROVED
J	ADDED GLAZED FIR TRIMS	08/26/2021	R.L.



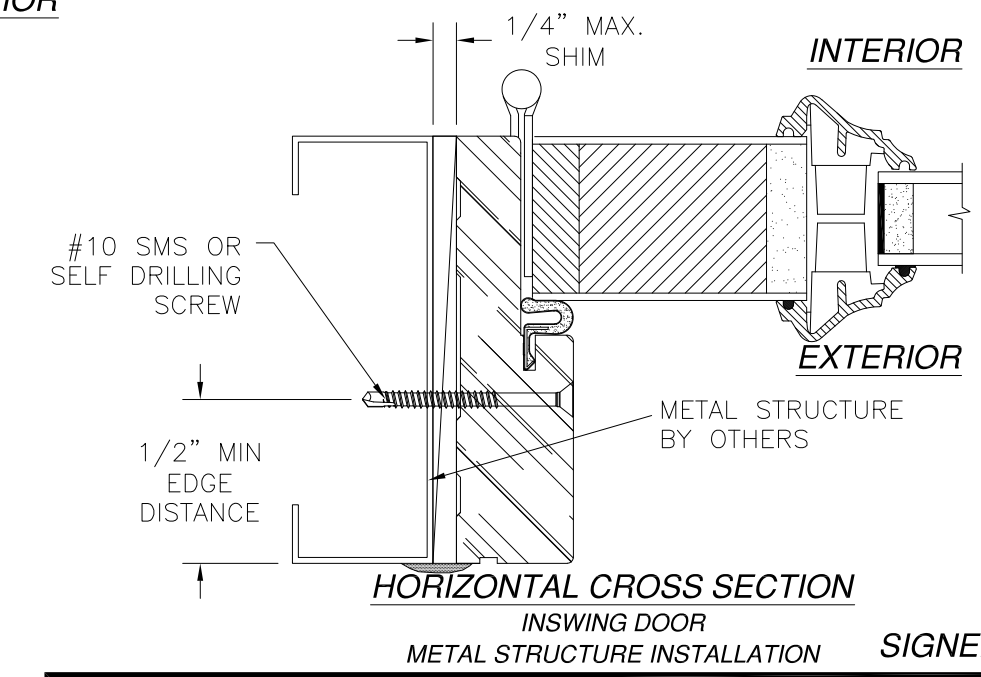
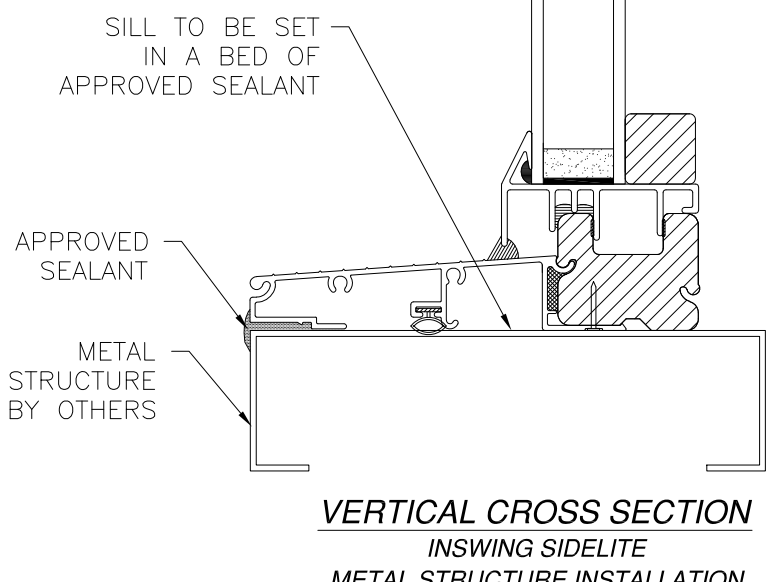
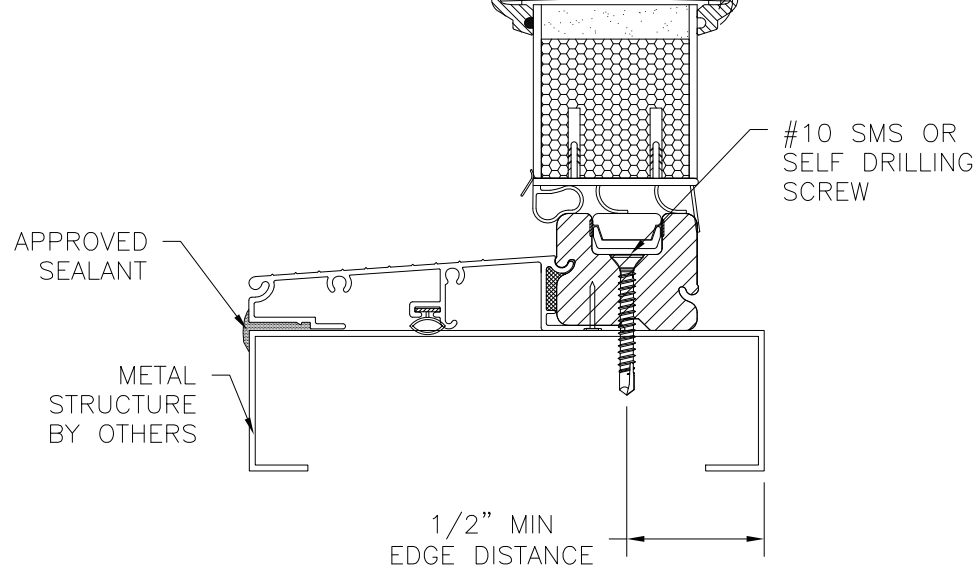
**VERTICAL CROSS SECTION**  
INSWING DOOR  
METAL STRUCTURE INSTALLATION



**VERTICAL CROSS SECTION**  
INSWING SIDELITE  
METAL STRUCTURE INSTALLATION



**HORIZONTAL CROSS SECTION**  
INSWING SIDELITE  
METAL STRUCTURE INSTALLATION



**HORIZONTAL CROSS SECTION**  
INSWING DOOR  
METAL STRUCTURE INSTALLATION

SIGNED: 09/08/2021

- NOTES:
1. INTERIOR AND EXTERIOR FINISHES, BY OTHERS, NOT SHOWN FOR CLARITY.
  2. PERIMETER AND JOINT SEALANT BY OTHERS TO BE DESIGNED IN ACCORDANCE WITH ASTM E2112

**PROVIA, LLC.**  
2150 STATE ROUTE 39 WEST  
SUGARCREEK, OH 44681

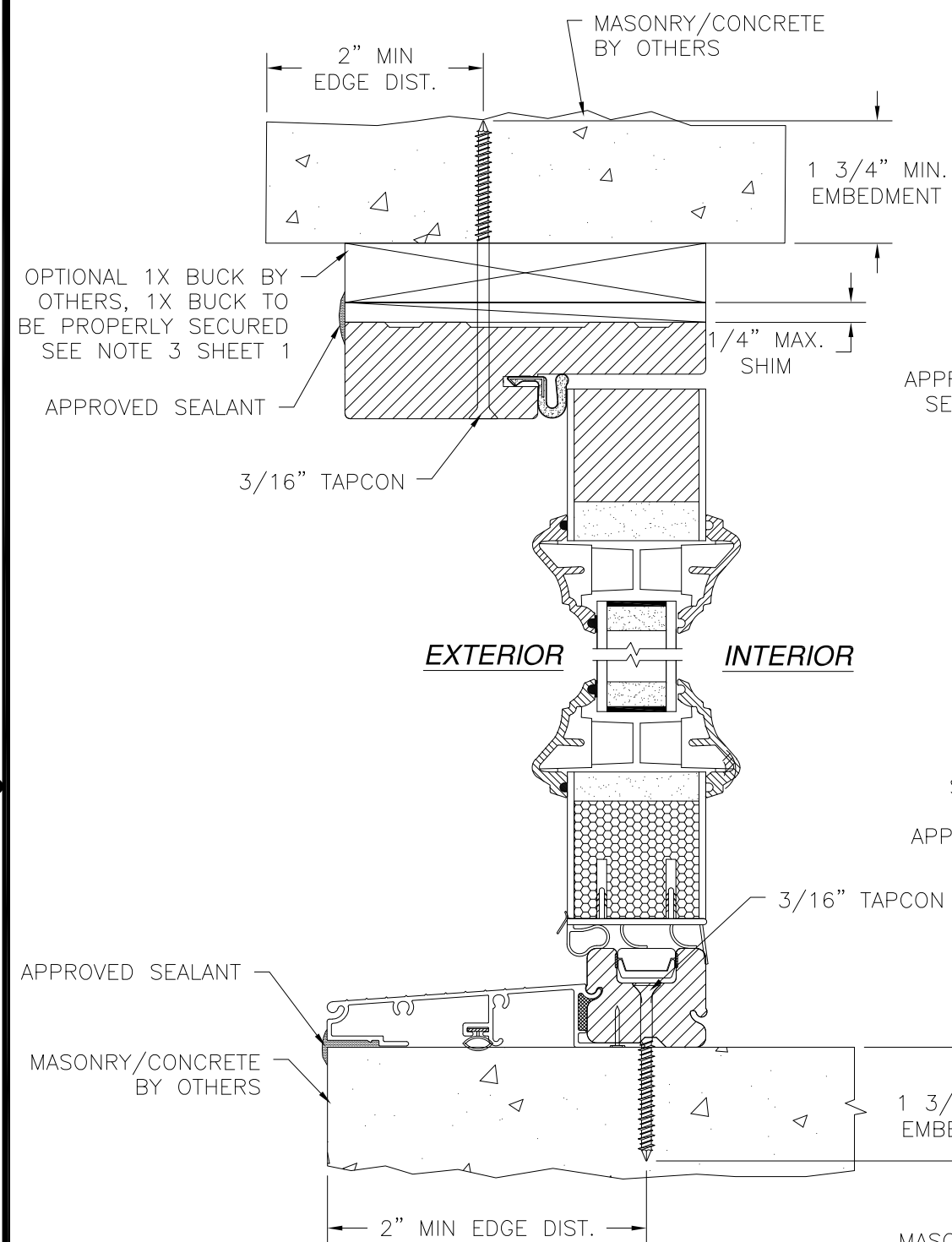
SIGNET EMBOSSED IS/OS 8'0 GLAZED FIBERGLASS  
DOOR W/ AND W/OUT DIRECT SET SIDELITES  
INSWING INSTALLATION DETAILS

DRAWN: TJH	DWG NO. 08-01162	REV J
SCALE NTS	DATE 02/09/11	SHEET 7 OF 21

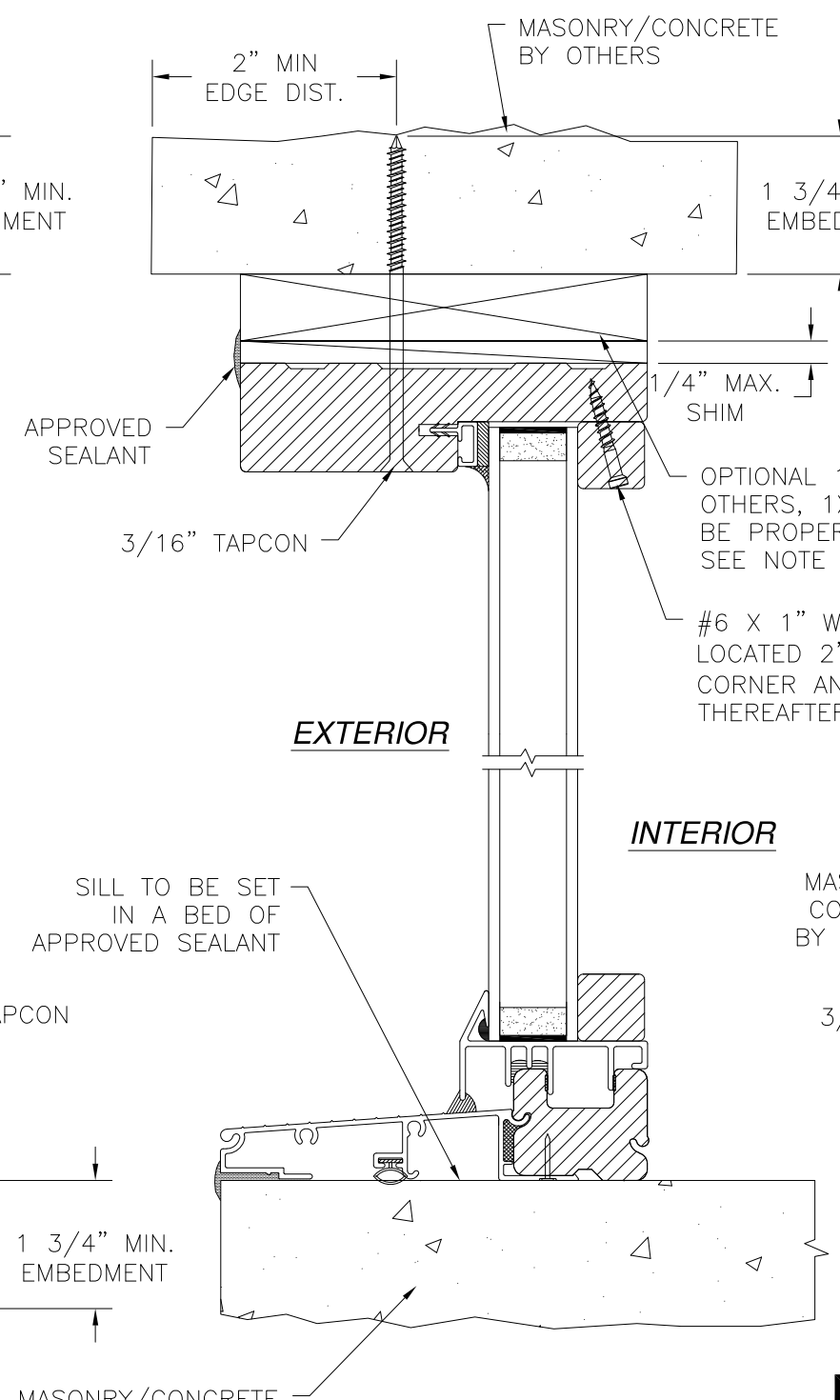
L. ROBERTO LOMAS P.E.  
1432 WOODFORD RD LEWISVILLE, NC 27023  
434-688-0609 rllomas@rlomaspe.com

Luis R. Lomas P.E.  
FL No.: 62514

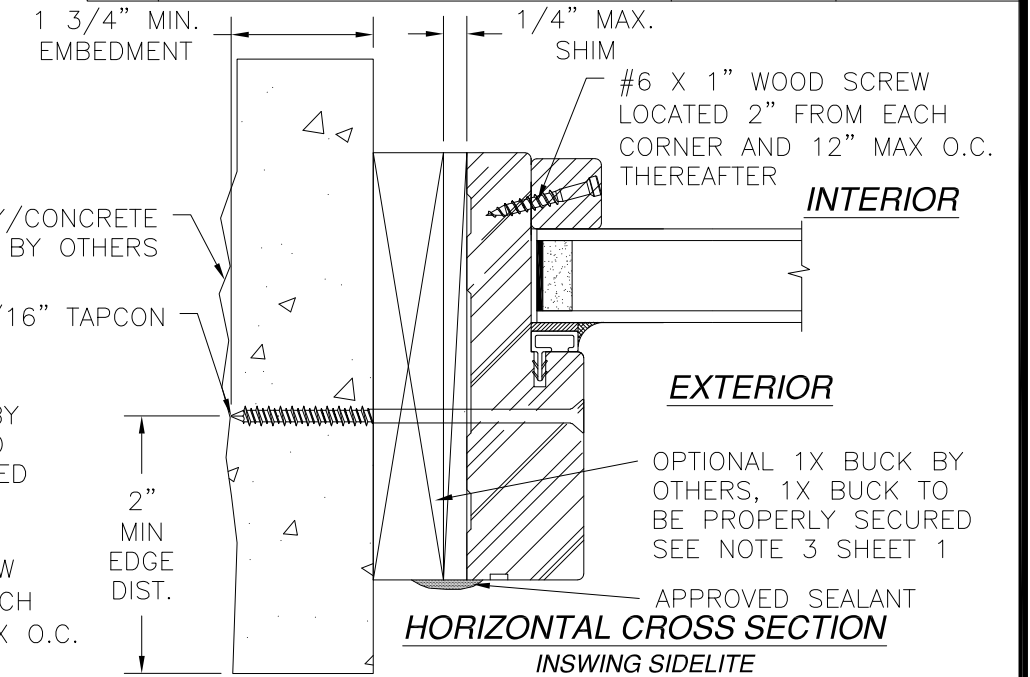
REVISIONS			
REV	DESCRIPTION	DATE	APPROVED
J	ADDED GLAZED FIR TRIMS	08/26/2021	R.L.



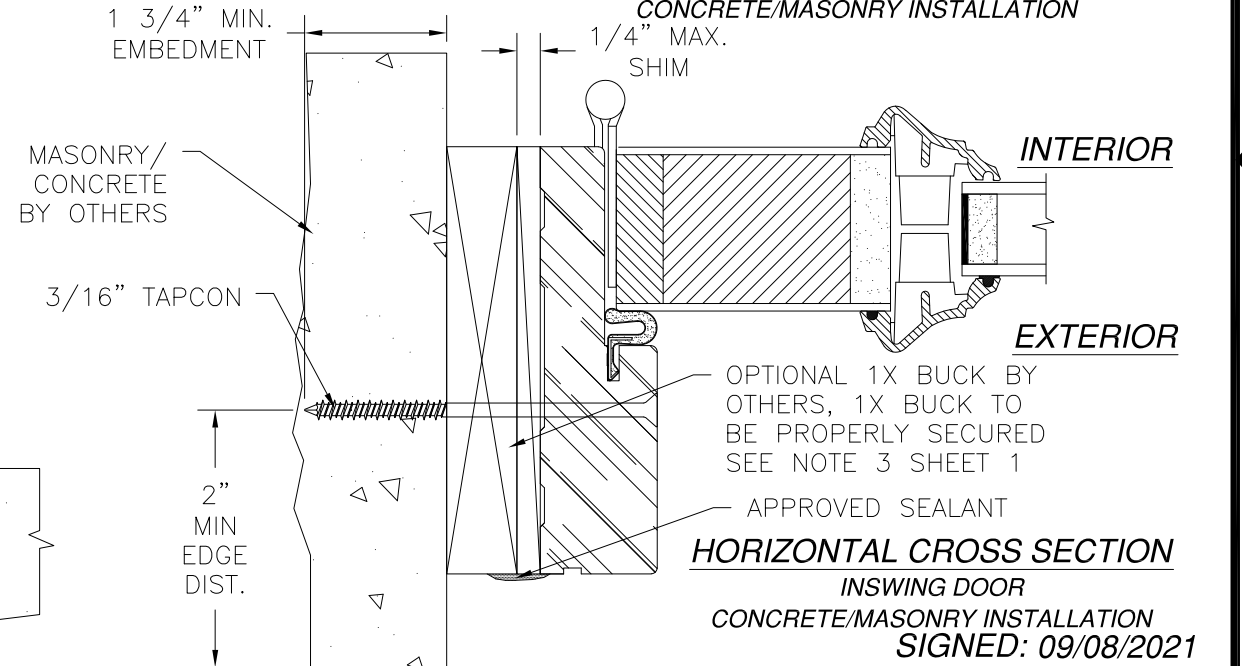
**VERTICAL CROSS SECTION**  
INSWING DOOR  
MASONRY/CONCRETE INSTALLATION



**VERTICAL CROSS SECTION**  
INSWING SIDELITE  
MASONRY/CONCRETE INSTALLATION



**HORIZONTAL CROSS SECTION**  
INSWING SIDELITE  
CONCRETE/MASONRY INSTALLATION



**HORIZONTAL CROSS SECTION**  
INSWING DOOR  
CONCRETE/MASONRY INSTALLATION  
SIGNED: 09/08/2021

- NOTES:**
1. INTERIOR AND EXTERIOR FINISHES, BY OTHERS, NOT SHOWN FOR CLARITY.
  2. PERIMETER AND JOINT SEALANT BY OTHERS TO BE DESIGNED IN ACCORDANCE WITH ASTM E2112

**PROVIA, LLC.**  
2150 STATE ROUTE 39 WEST  
SUGARCREEK, OH 44681

SIGNET EMBOSSED IS/OS 8'0 GLAZED FIBERGLASS  
DOOR W/ AND W/OUT DIRECT SET SIDELITES  
INSWING INSTALLATION DETAILS

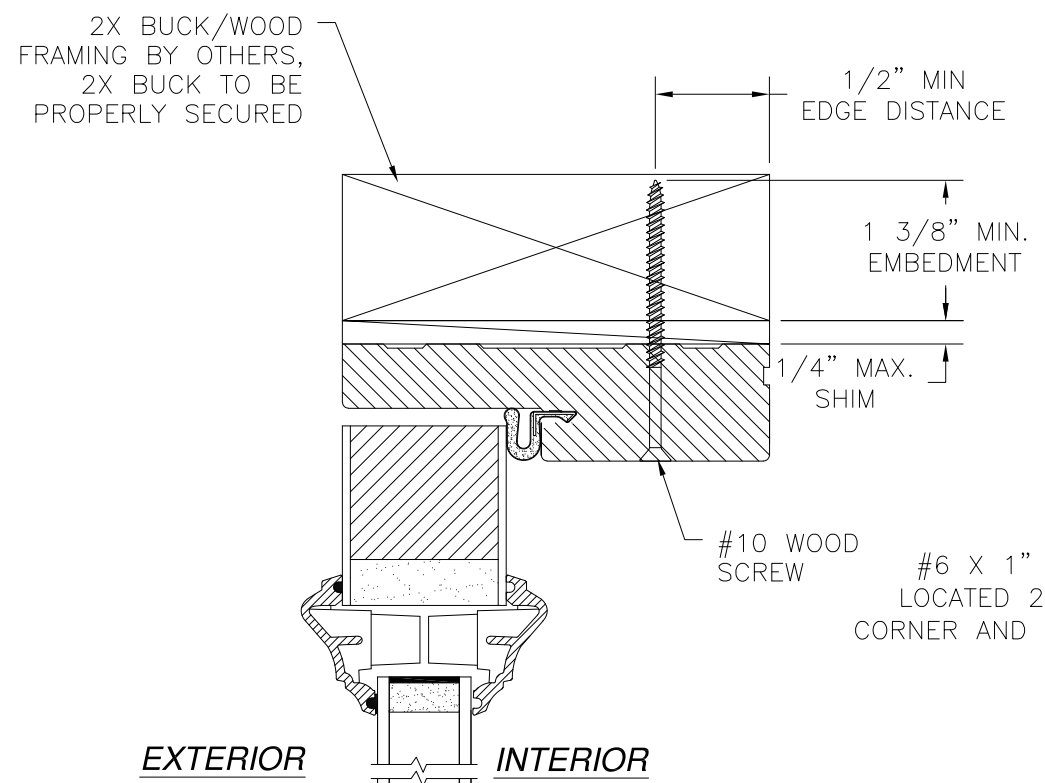
DRAWN: TJH	DWG NO. 08-01162	REV J
SCALE NTS	DATE 02/09/11	SHEET 8 OF 21

L. ROBERTO LOMAS P.E.  
1432 WOODFORD RD LEWISVILLE, NC 27023  
434-688-0609 rllomas@rlomaspe.com

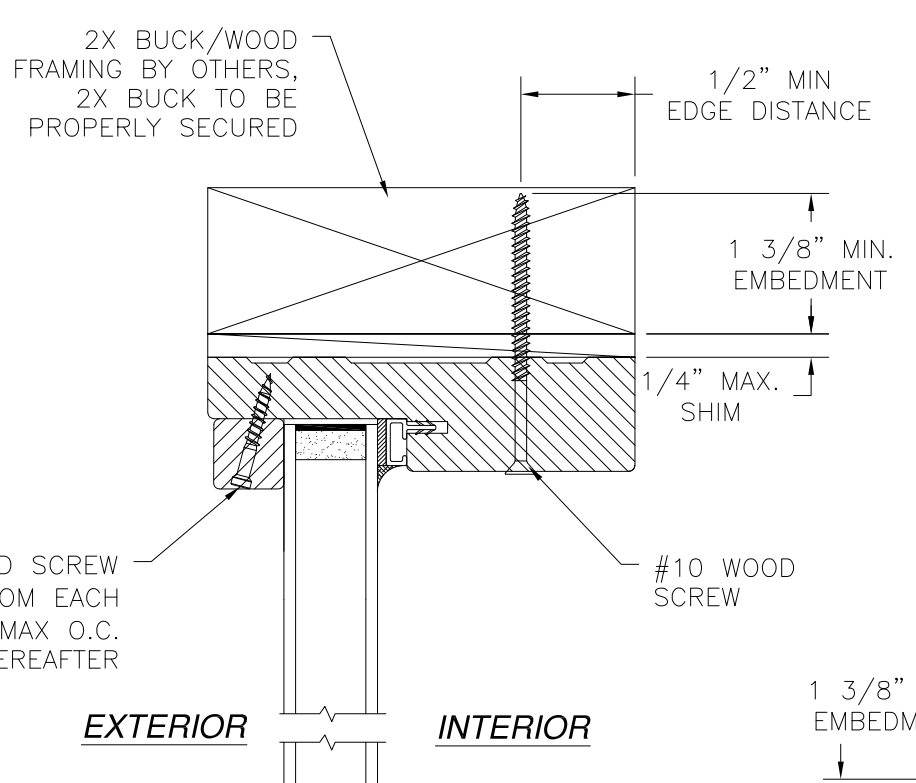
Luis R. Lomas P.E.  
FL No.: 62514



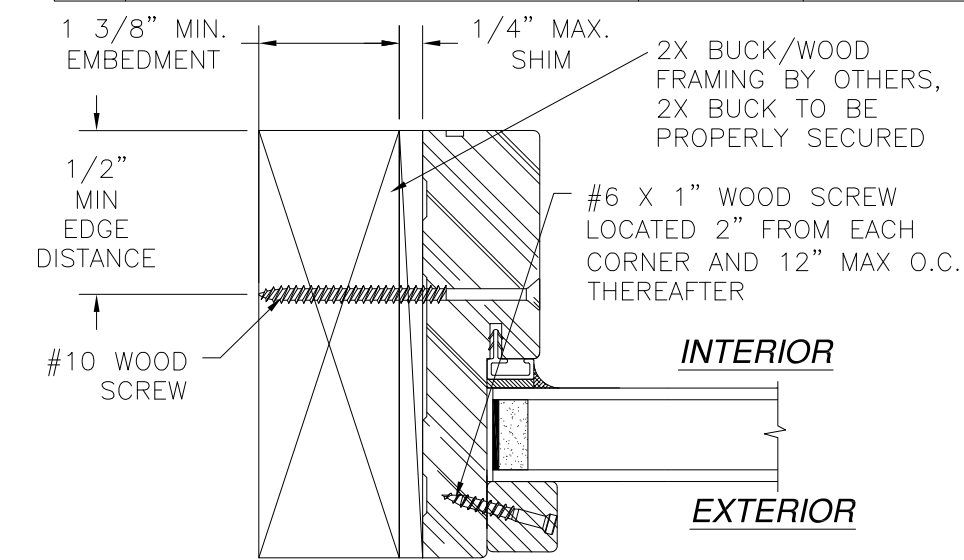
REVISIONS			
REV	DESCRIPTION	DATE	APPROVED
J	ADDED GLAZED FIR TRIMS	08/26/2021	R.L.



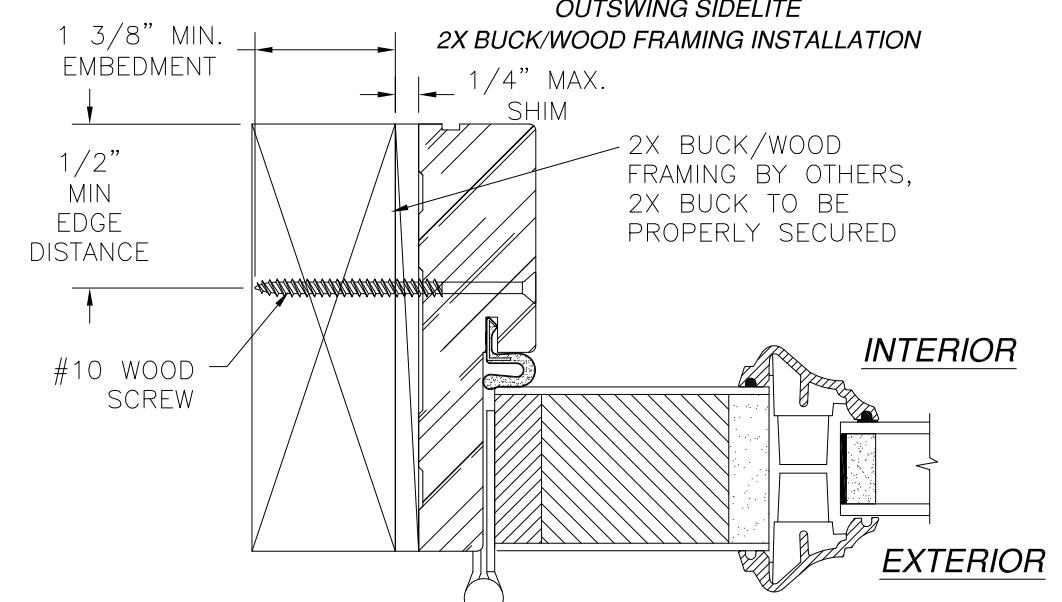
**VERTICAL CROSS SECTION  
OUTSWING DOOR  
2X BUCK/WOOD FRAMING INSTALLATION**



**VERTICAL CROSS SECTION  
OUTSWING SIDELITE  
2X BUCK/WOOD FRAMING INSTALLATION**

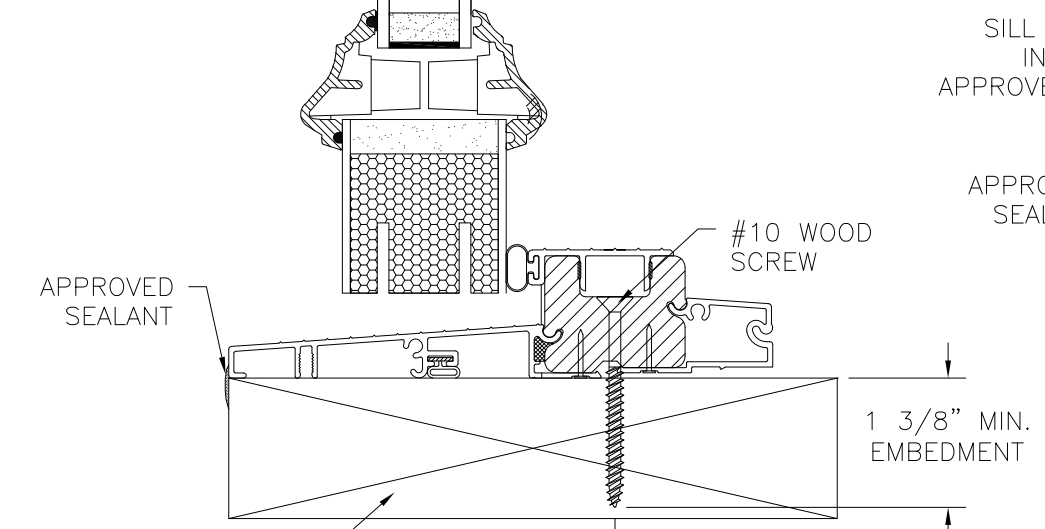


**HORIZONTAL CROSS SECTION  
OUTSWING SIDELITE  
2X BUCK/WOOD FRAMING INSTALLATION**



**HORIZONTAL CROSS SECTION  
OUTSWING DOOR  
2X BUCK/WOOD FRAMING INSTALLATION**

SIGNED: 09/08/2021



**VERTICAL CROSS SECTION  
OUTSWING DOOR  
2X BUCK/WOOD FRAMING INSTALLATION**

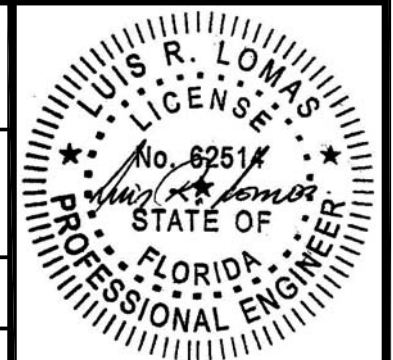
- NOTES:**
1. INTERIOR AND EXTERIOR FINISHES, BY OTHERS, NOT SHOWN FOR CLARITY.
  2. PERIMETER AND JOINT SEALANT BY OTHERS TO BE DESIGNED IN ACCORDANCE WITH ASTM E2112

**PROVIA, LLC.**  
2150 STATE ROUTE 39 WEST  
SUGARCREEK, OH 44681

SIGNET EMBOSSED IS/OS 8'0 GLAZED FIBERGLASS  
DOOR W/ AND W/OUT DIRECT SET SIDELITES  
OUTSWING INSTALLATION DETAILS

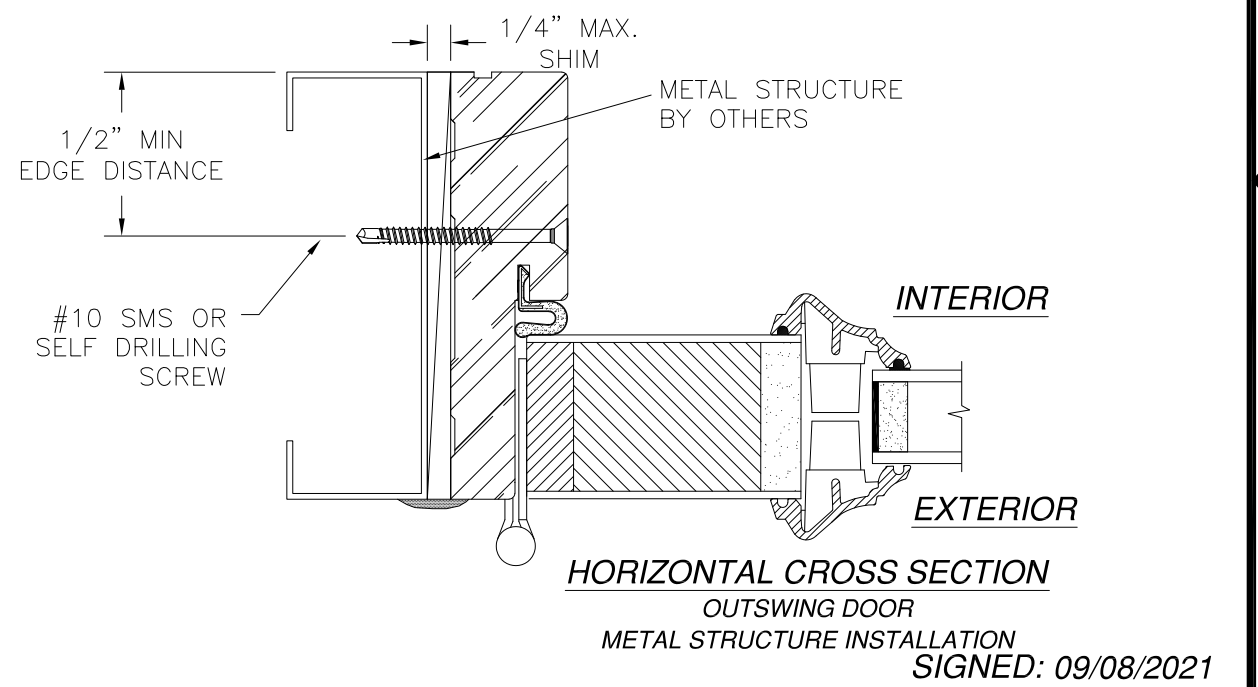
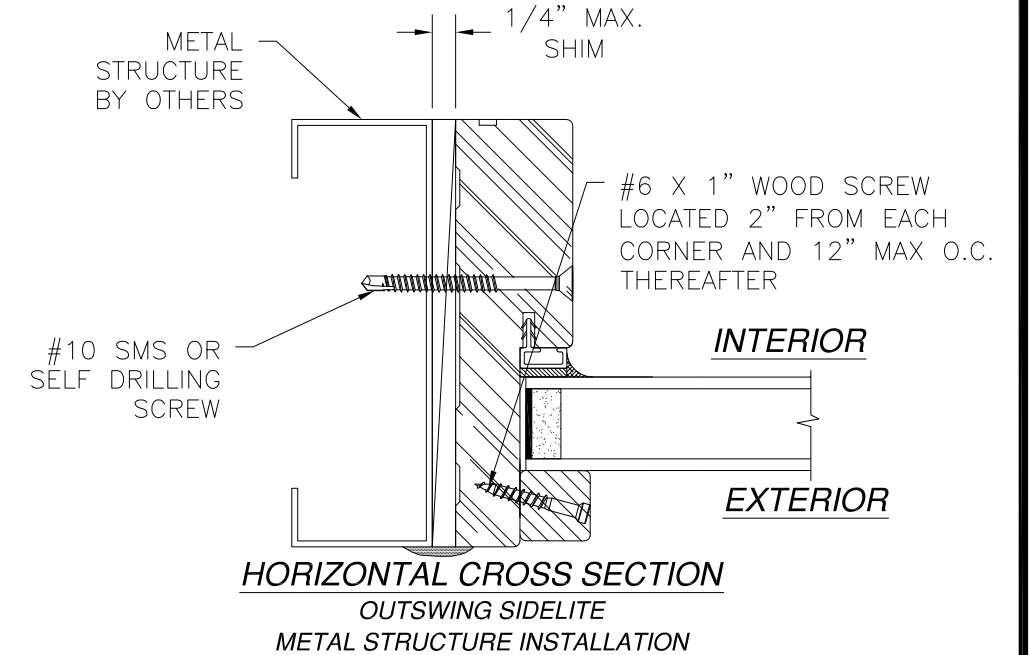
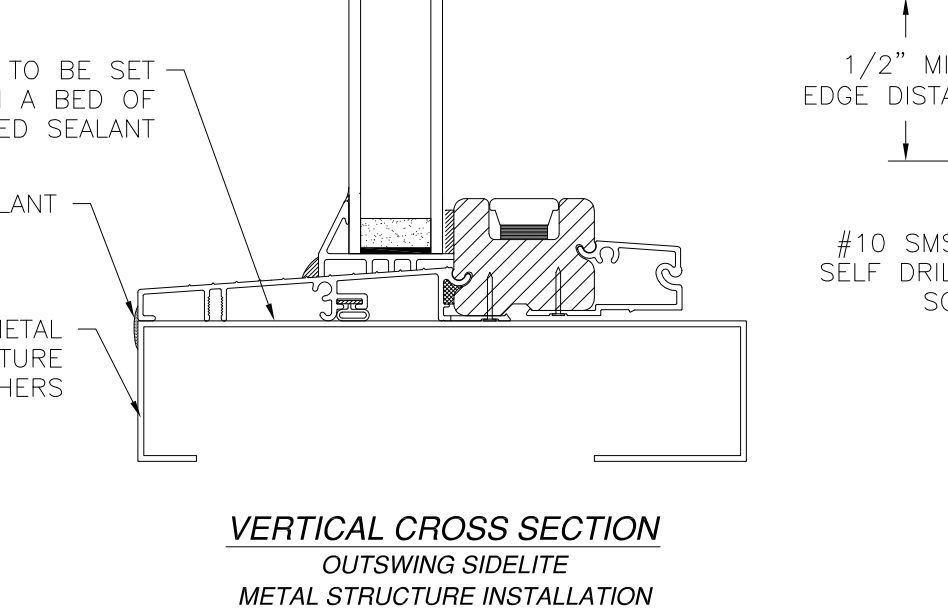
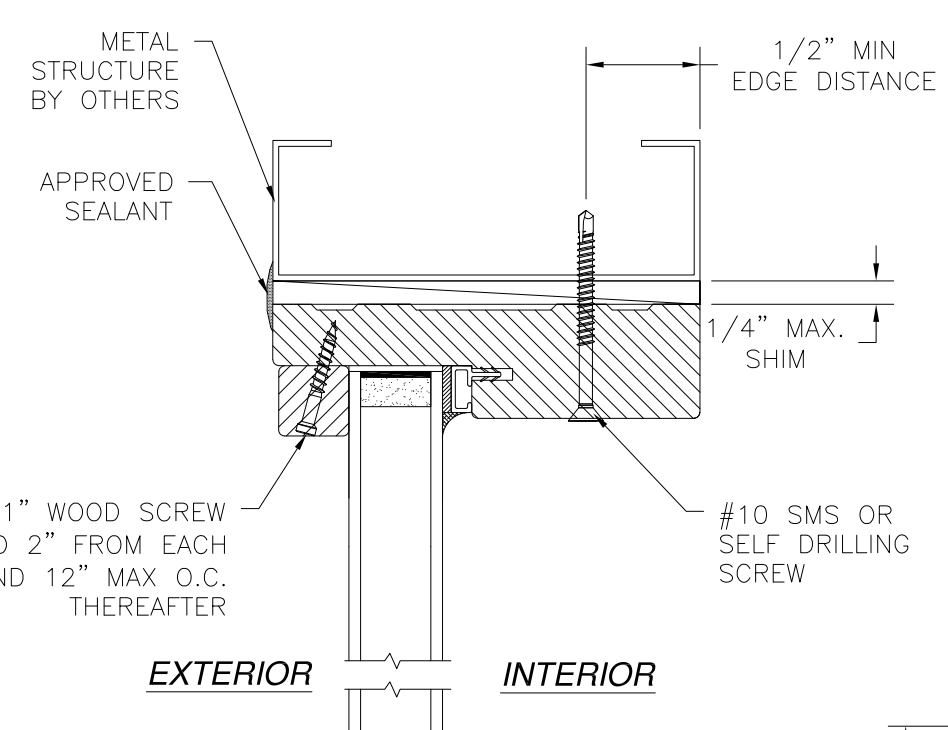
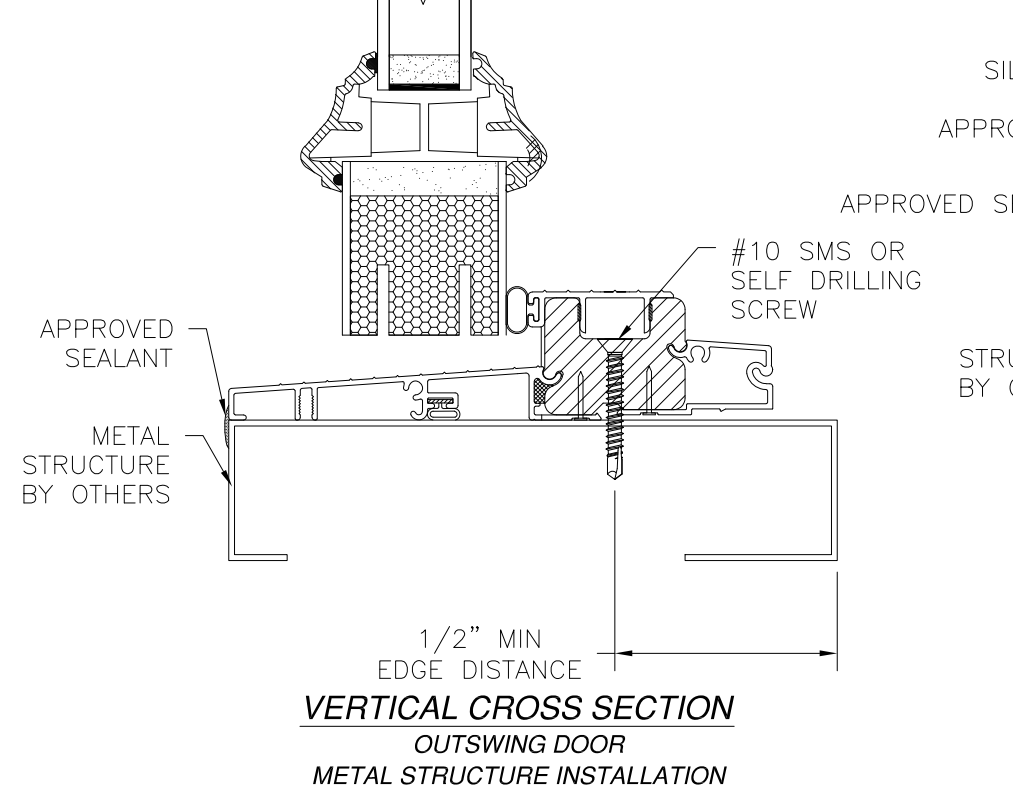
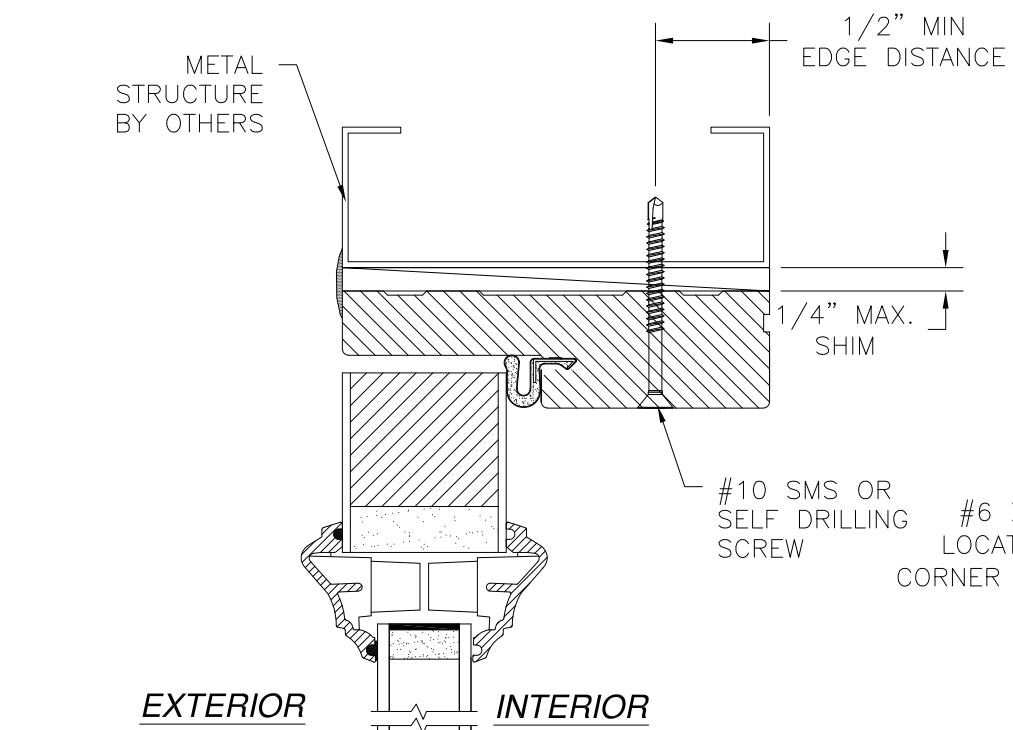
DRAWN: TJH	DWG NO. 08-01162	REV J
SCALE NTS	DATE 02/09/11	SHEET 9 OF 21

L. ROBERTO LOMAS P.E.  
1432 WOODFORD RD LEWISVILLE, NC 27023  
434-688-0609 rllomas@rlomaspe.com



Luis R. Lomas P.E.  
FL No.: 62514

REVISIONS			
REV	DESCRIPTION	DATE	APPROVED
J	ADDED GLAZED FIR TRIMS	08/26/2021	R.L.



- NOTES:
1. INTERIOR AND EXTERIOR FINISHES, BY OTHERS, NOT SHOWN FOR CLARITY.
  2. PERIMETER AND JOINT SEALANT BY OTHERS TO BE DESIGNED IN ACCORDANCE WITH ASTM E2112

PROVIA, LLC.  
2150 STATE ROUTE 39 WEST  
SUGARCREEK, OH 44681

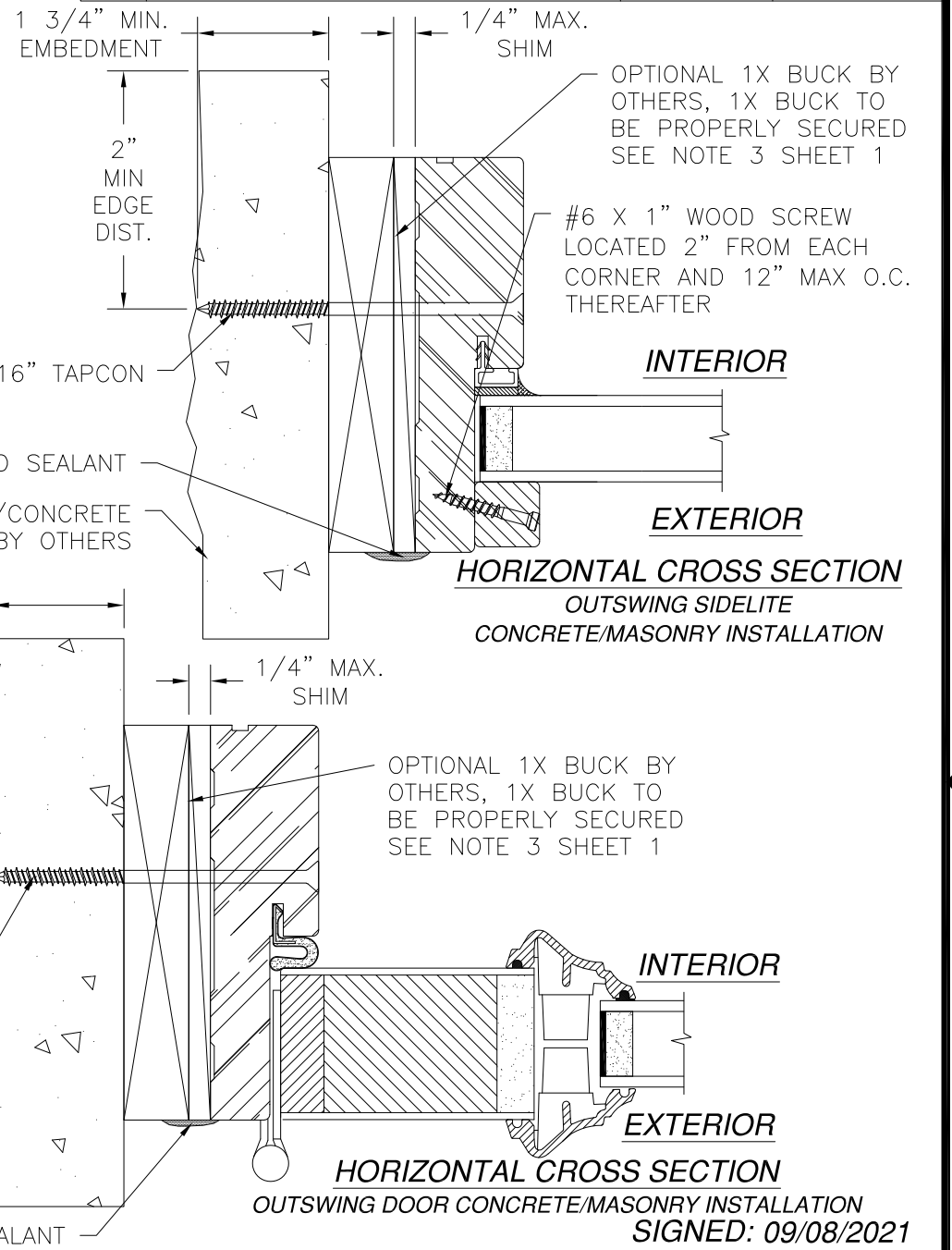
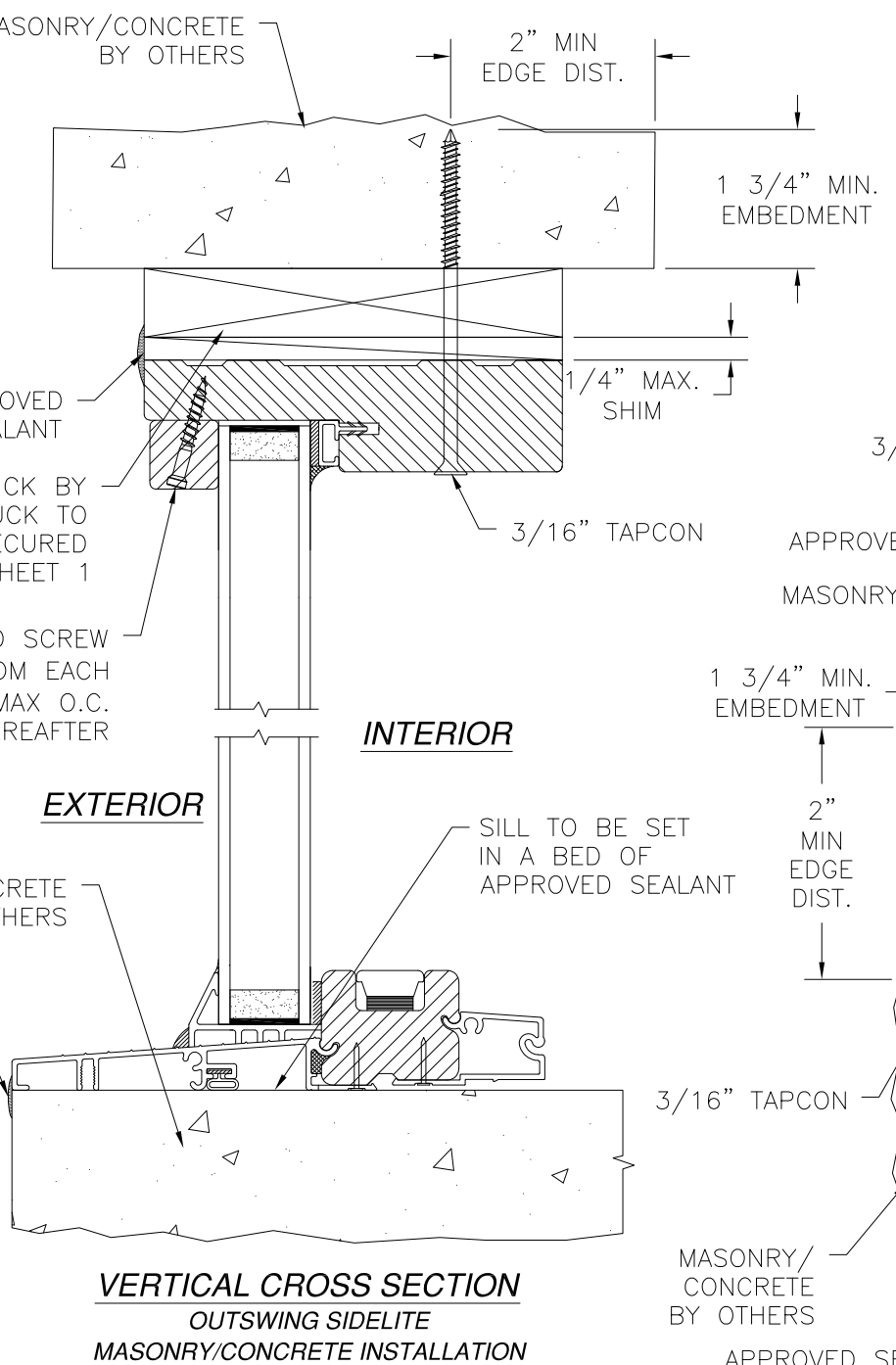
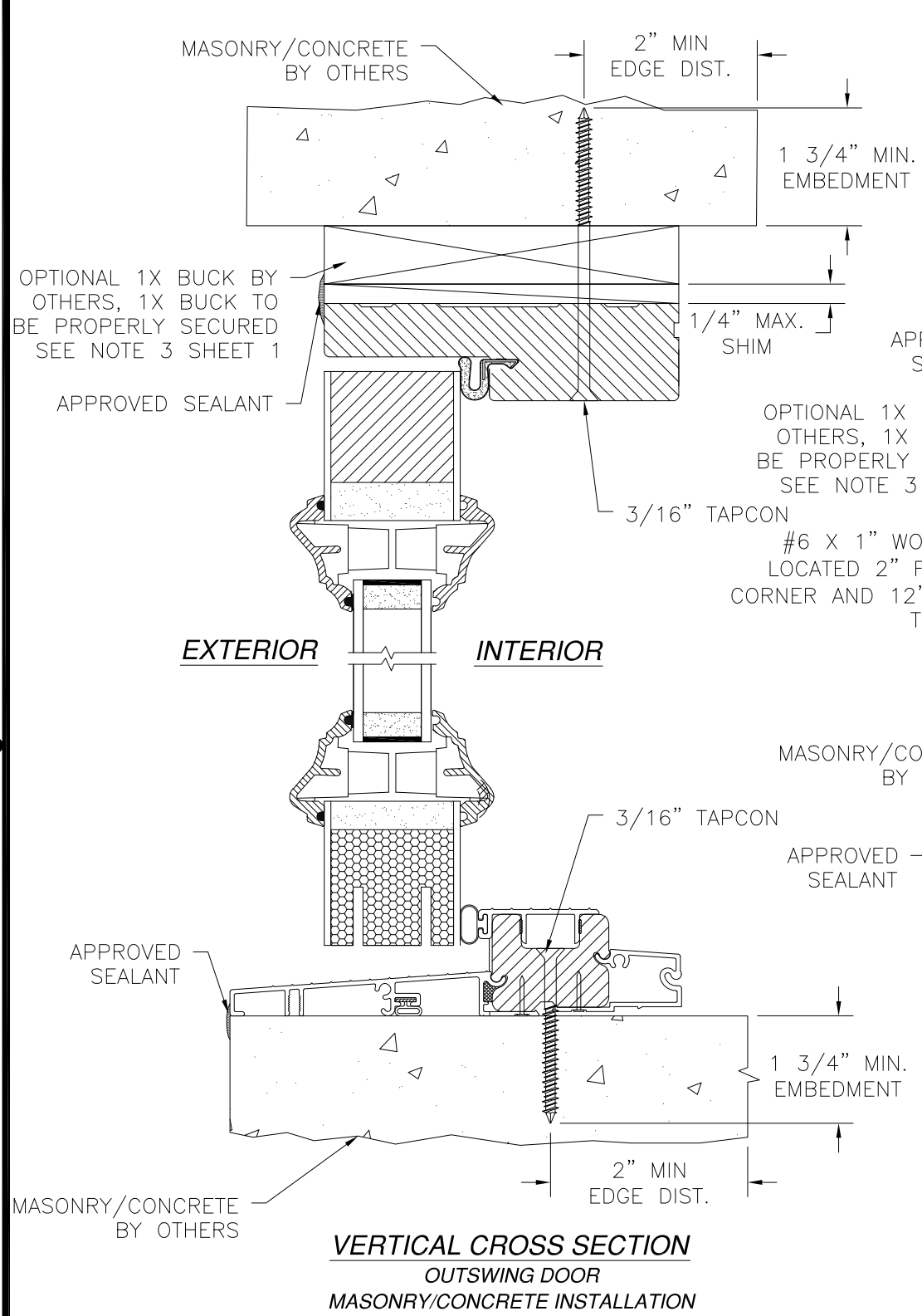
SIGNET EMBOSSED IS/OS 8'0 GLAZED FIBERGLASS DOOR W/ AND W/OUT DIRECT SET SIDELITES  
OUTSWING INSTALLATION DETAILS

DRAWN: TJH	DWG NO. 08-01162	REV J
SCALE NTS	DATE 02/09/11	SHEET 10 OF 21

L. ROBERTO LOMAS P.E.  
1432 WOODFORD RD LEWISVILLE, NC 27023  
434-688-0609 rllomas@rlomaspe.com

Luis R. Lomas P.E.  
FL No.: 62514

REVISIONS			
REV	DESCRIPTION	DATE	APPROVED
J	ADDED GLAZED FIR TRIMS	08/26/2021	R.L.



- NOTES:**
1. INTERIOR AND EXTERIOR FINISHES, BY OTHERS, NOT SHOWN FOR CLARITY.
  2. PERIMETER AND JOINT SEALANT BY OTHERS TO BE DESIGNED IN ACCORDANCE WITH ASTM E2112

**PROVIA, LLC.**  
2150 STATE ROUTE 39 WEST  
SUGARCREEK, OH 44681

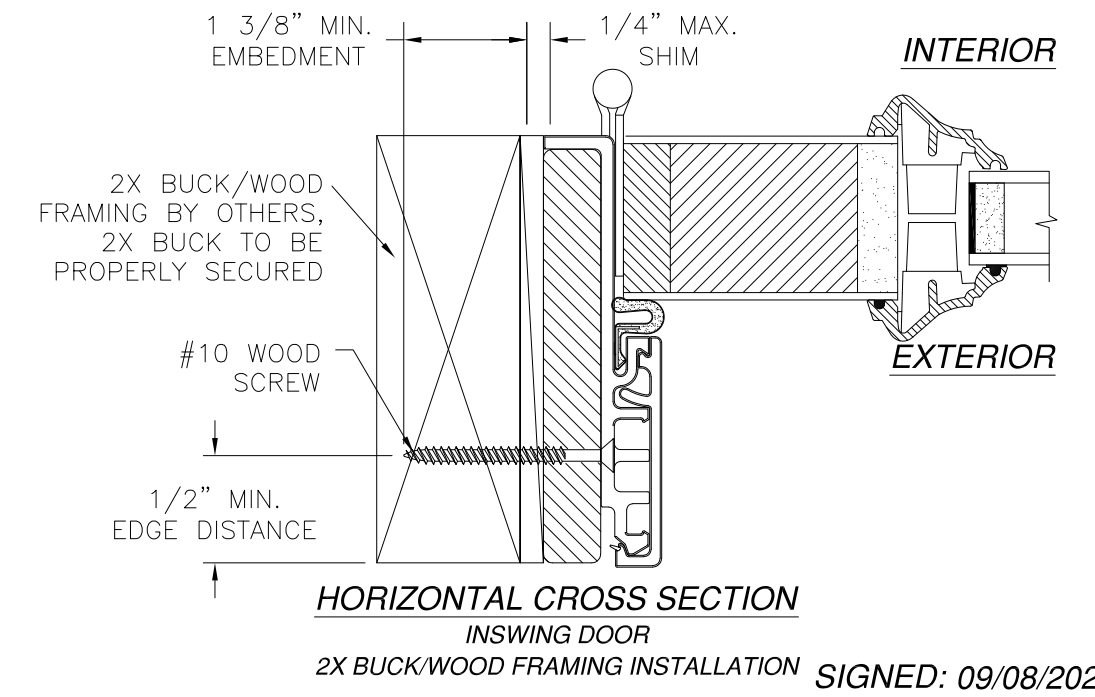
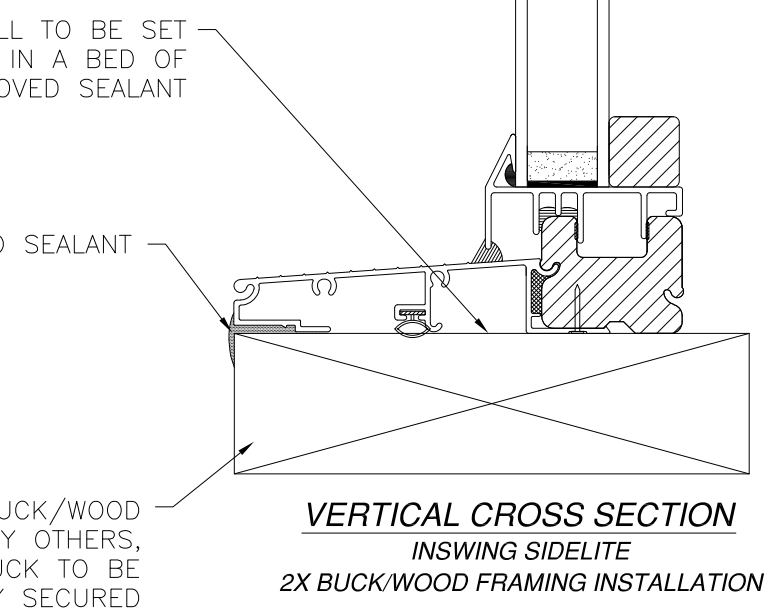
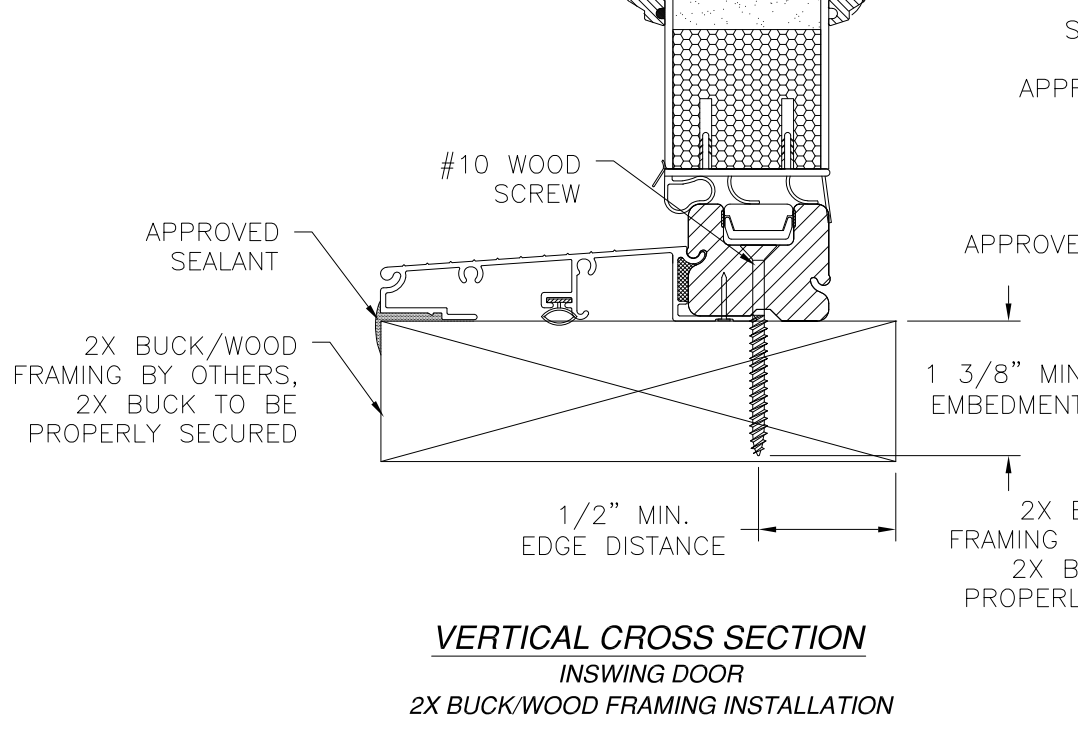
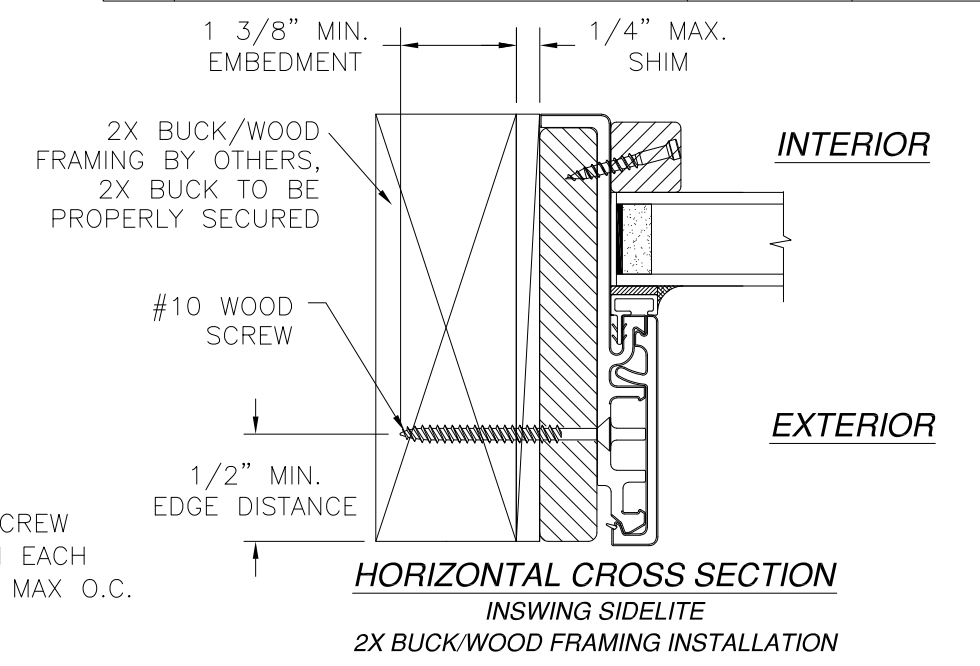
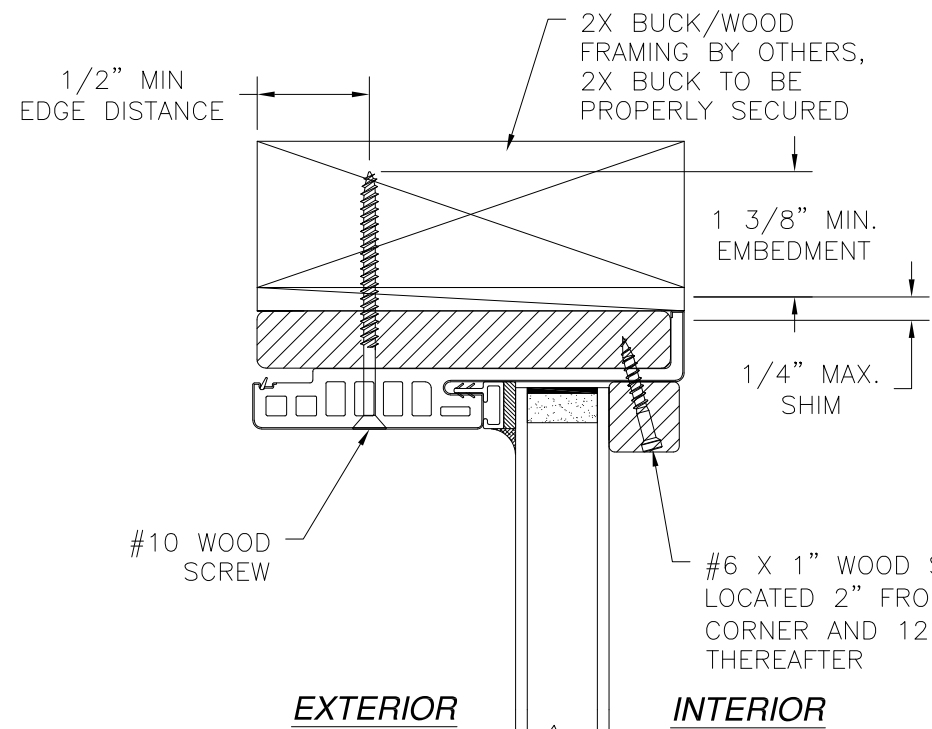
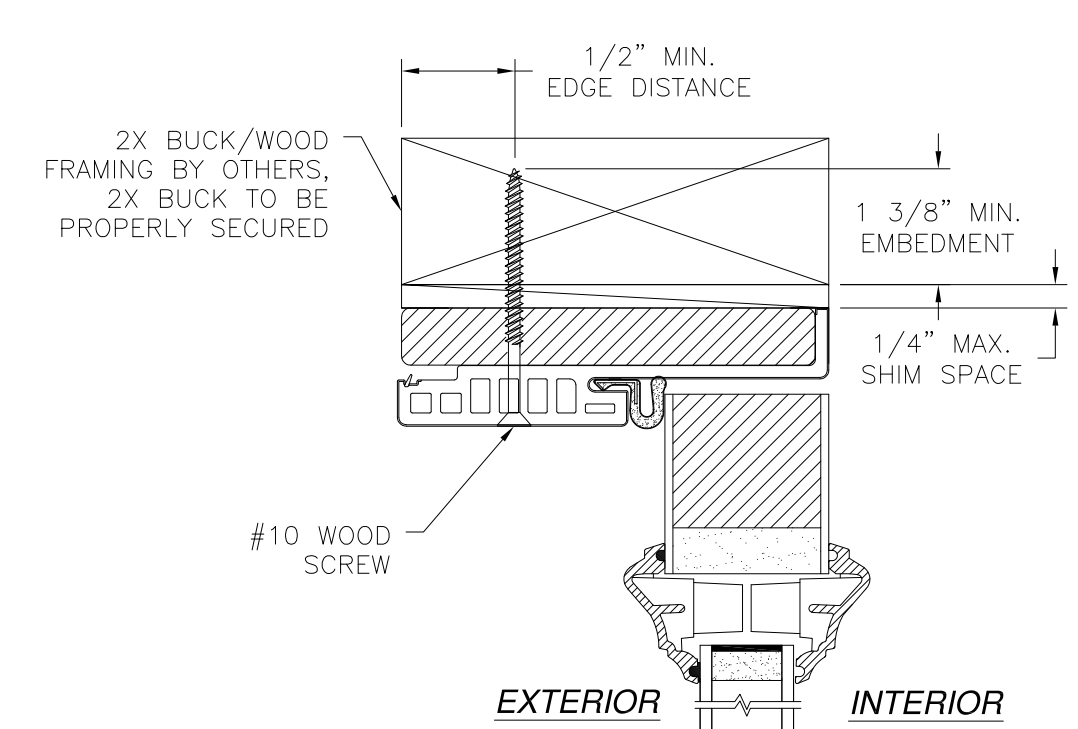
SIGNET EMBOSSED IS/OS 8'0 GLAZED FIBERGLASS  
DOOR W/ AND W/OUT DIRECT SET SIDELITES  
OUTSWING INSTALLATION DETAILS

DRAWN: TJH	DWG NO. 08-01162	REV J
SCALE NTS	DATE 02/09/11	SHEET 11 OF 21

L. ROBERTO LOMAS P.E.  
1432 WOODFORD RD LEWISVILLE, NC 27023  
434-688-0609 rllomas@rlomaspe.com

Luis R. Lomas P.E.  
FL No.: 62514

REVISIONS			
REV	DESCRIPTION	DATE	APPROVED
J	ADDED GLAZED FIR TRIMS	08/26/2021	R.L.



SIGNED: 09/08/2021

PROVIA, LLC.  
2150 STATE ROUTE 39 WEST  
SUGARCREEK, OH 44681

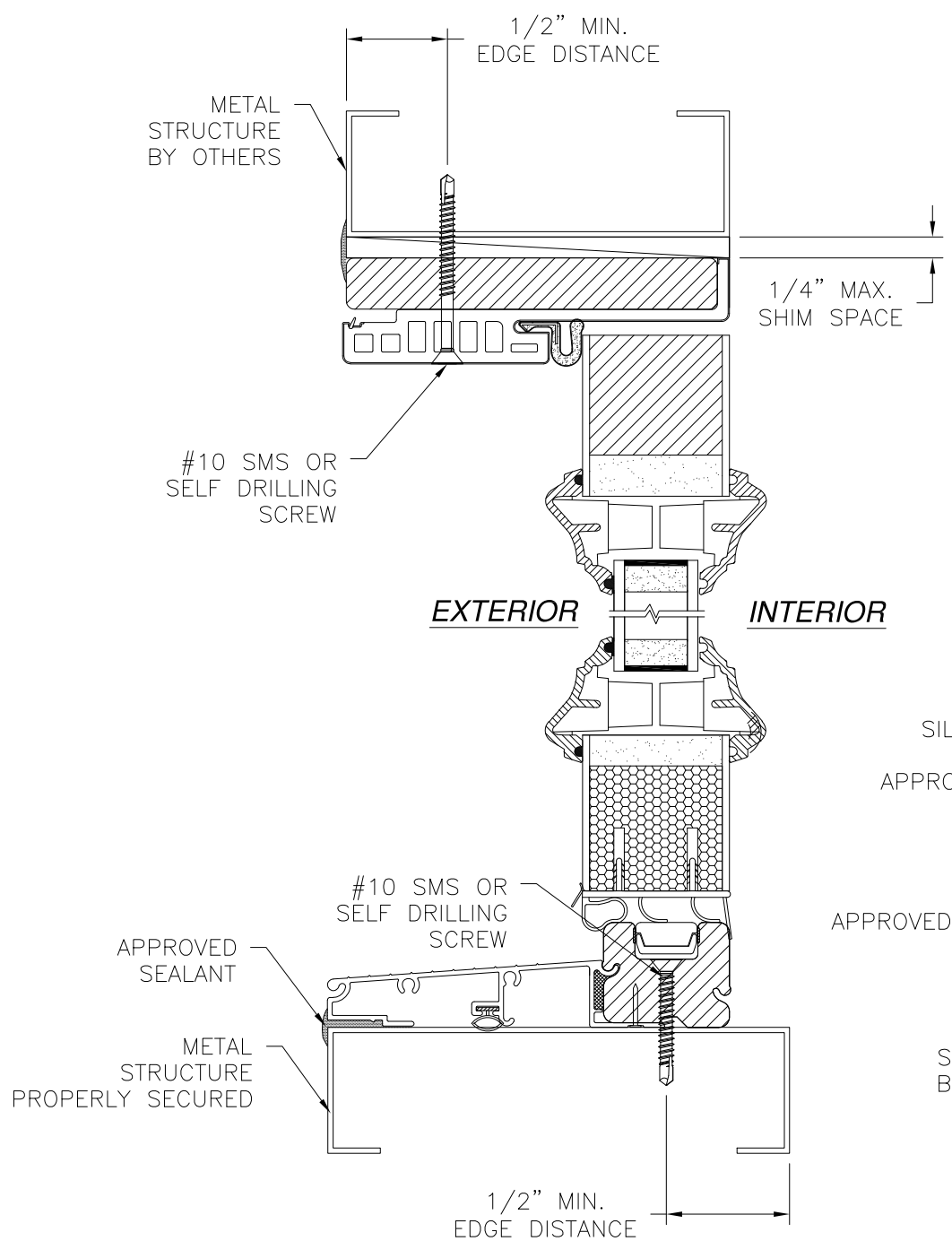
SIGNET EMBOSSED IS/OS 8'0 GLAZED FIBERGLASS DOOR W/ AND W/OUT DIRECT SET SIDELITES  
INSWING INSTALLATION DETAILS W/FUSION FRAME

DRAWN: TJH	DWG NO. 08-01162	REV J
SCALE NTS	DATE 02/09/11	SHEET 12 OF 21

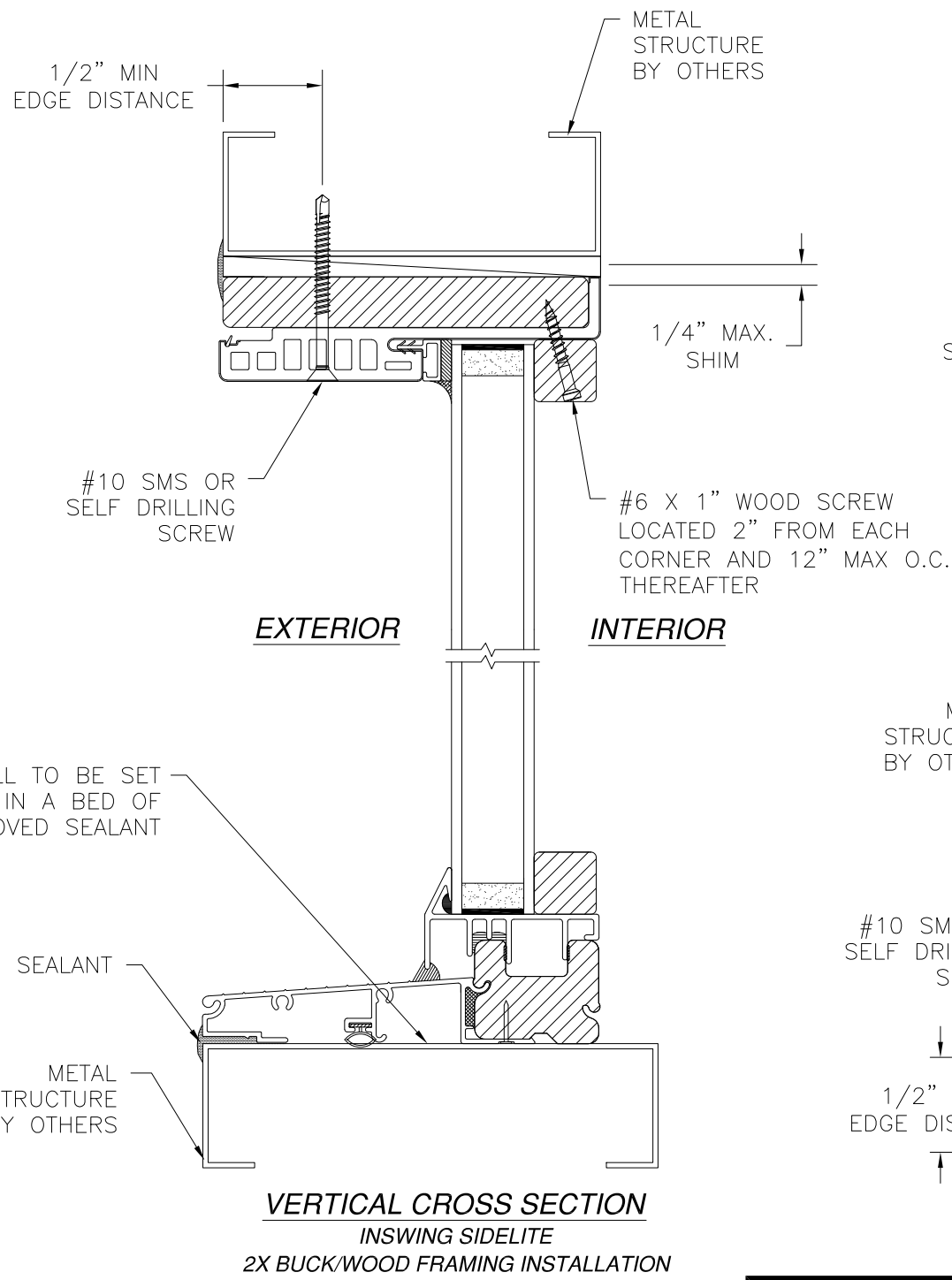
L. ROBERTO LOMAS P.E.  
1432 WOODFORD RD LEWISVILLE, NC 27023  
434-688-0609 rllomas@rlomaspe.com

Luis R. Lomas P.E.  
FL No.: 62514

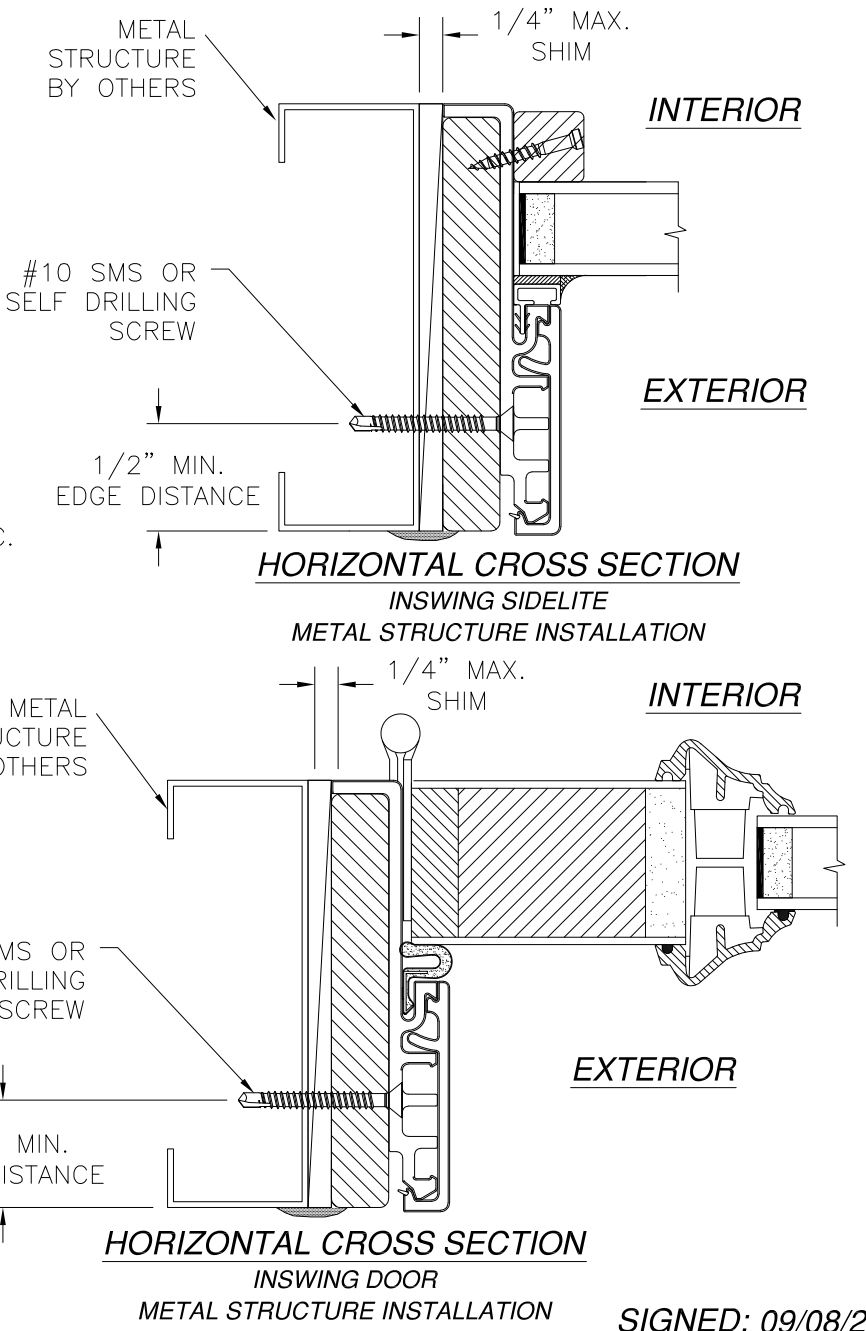
REVISIONS			
REV	DESCRIPTION	DATE	APPROVED
J	ADDED GLAZED FIR TRIMS	08/26/2021	R.L.



**VERTICAL CROSS SECTION**  
INSWING DOOR  
METAL STRUCTURE INSTALLATION



**VERTICAL CROSS SECTION**  
INSWING SIDELITE  
2X BUCK/WOOD FRAMING INSTALLATION



**HORIZONTAL CROSS SECTION**  
INSWING DOOR  
METAL STRUCTURE INSTALLATION

SIGNED: 09/08/2021

**PROVIA, LLC.**  
2150 STATE ROUTE 39 WEST  
SUGARCREEK, OH 44681

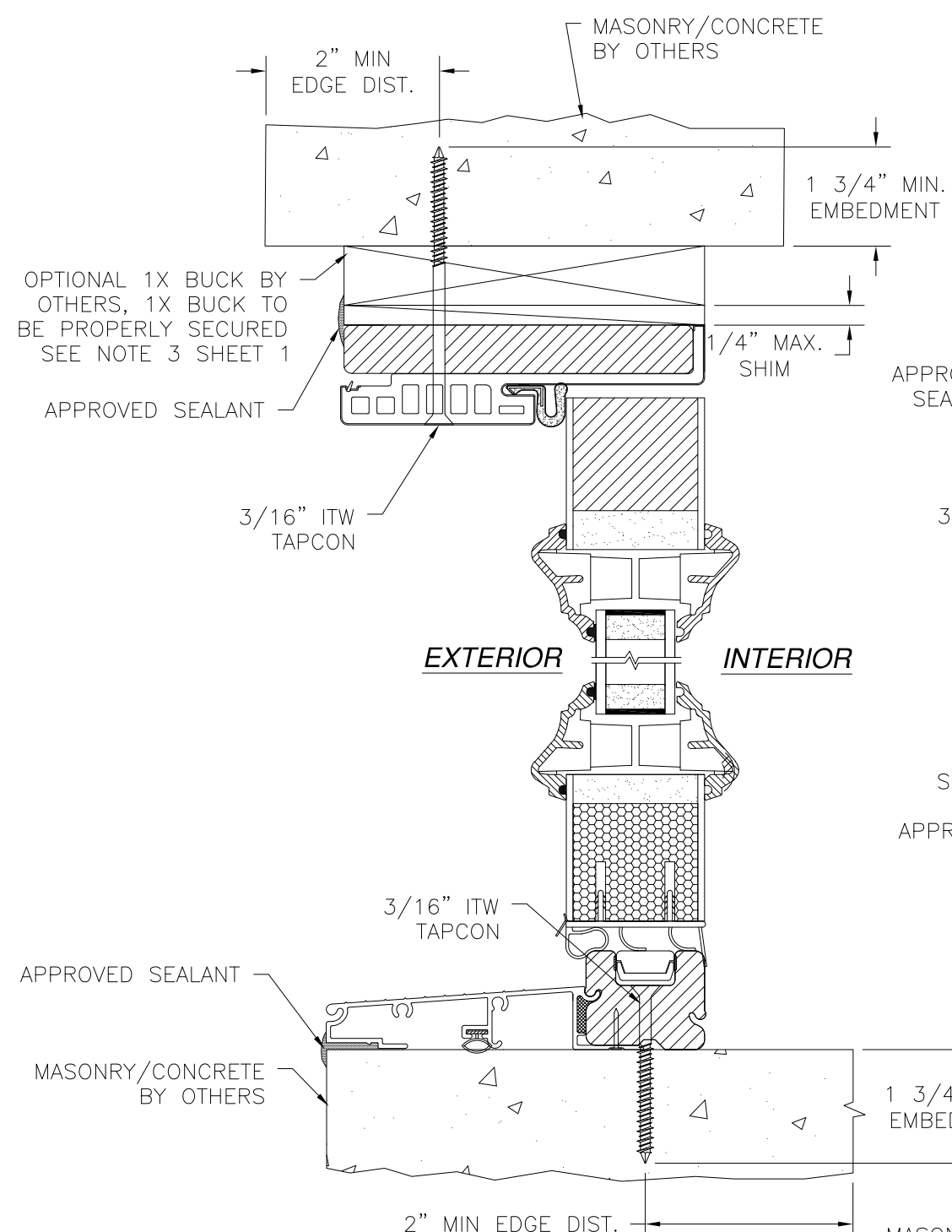
SIGNET EMBOSSED IS/OS 8'0 GLAZED FIBERGLASS  
DOOR W/ AND W/OUT DIRECT SET SIDELITES  
INSWING INSTALLATION DETAILS W/FUSION FRAME

DRAWN: TJH	DWG NO. 08-01162	REV J
SCALE NTS	DATE 02/09/11	SHEET 13 OF 21

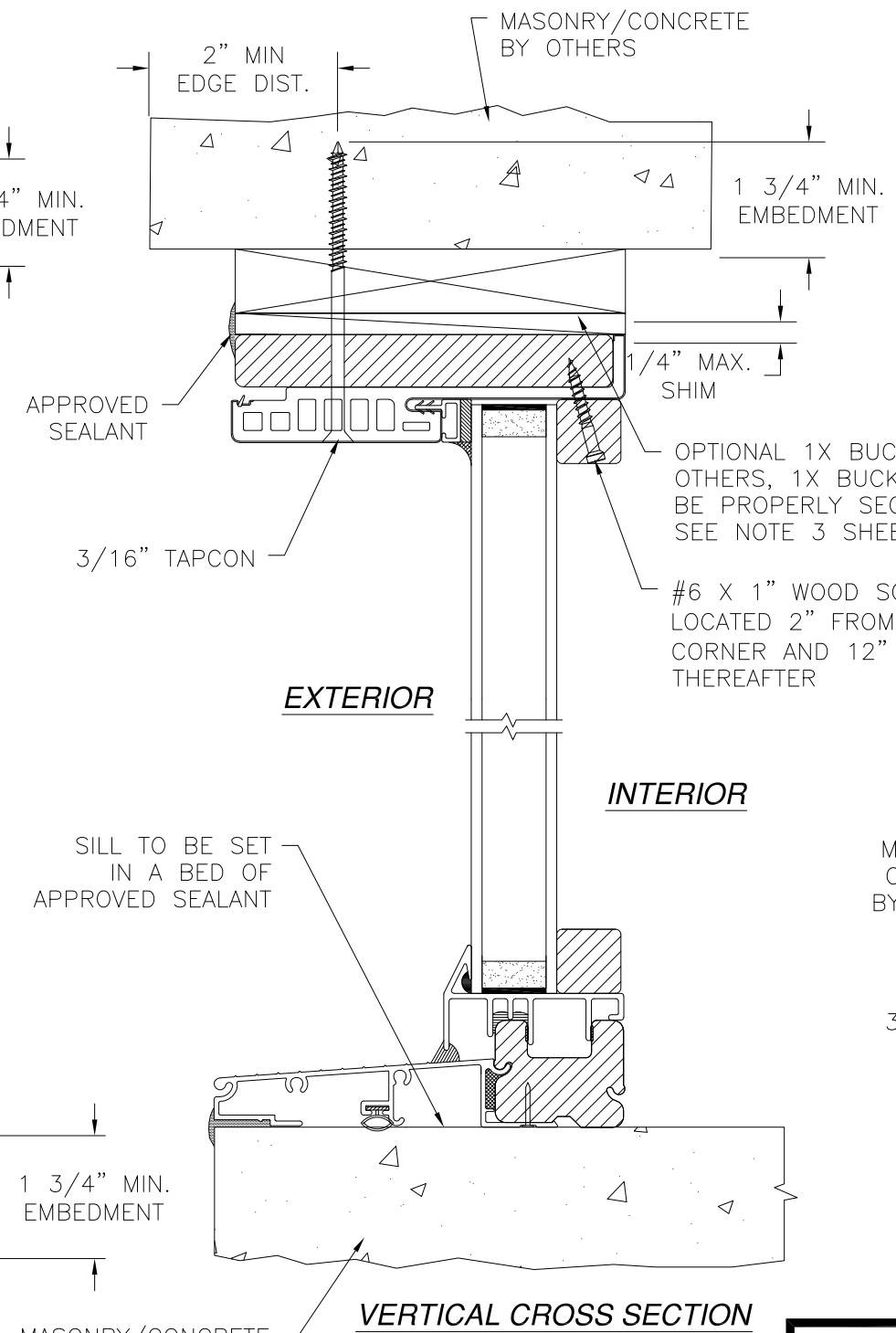
L. ROBERTO LOMAS P.E.  
1432 WOODFORD RD LEWISVILLE, NC 27023  
434-688-0609 rllomas@rlomaspe.com

Luis R. Lomas P.E.  
FL No.: 62514

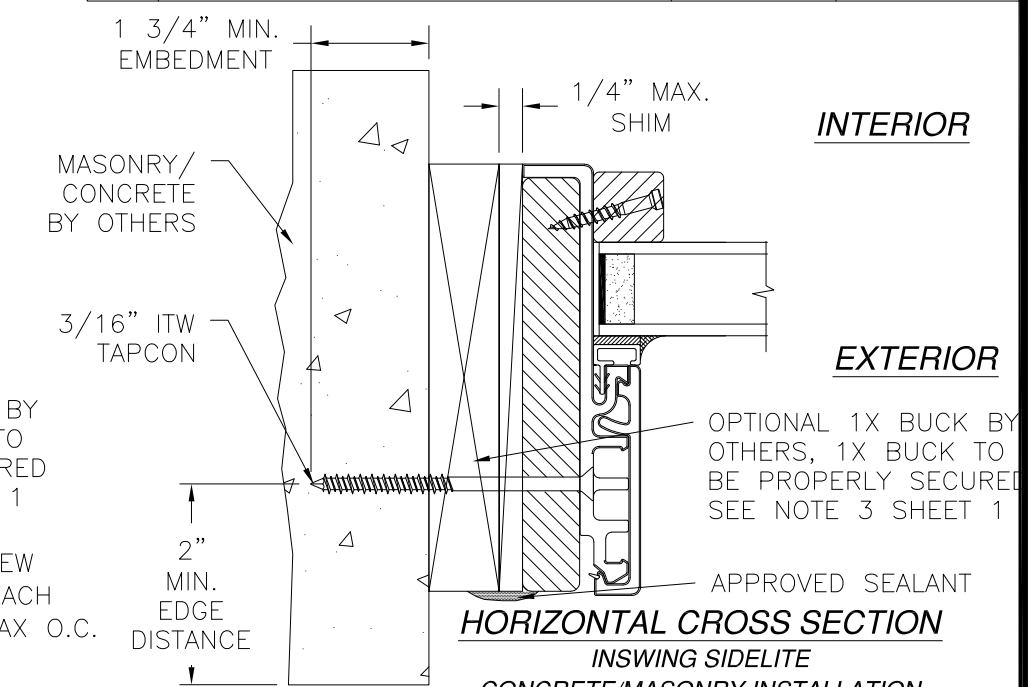
REVISIONS			
REV	DESCRIPTION	DATE	APPROVED
J	ADDED GLAZED FIR TRIMS	08/26/2021	R.L.



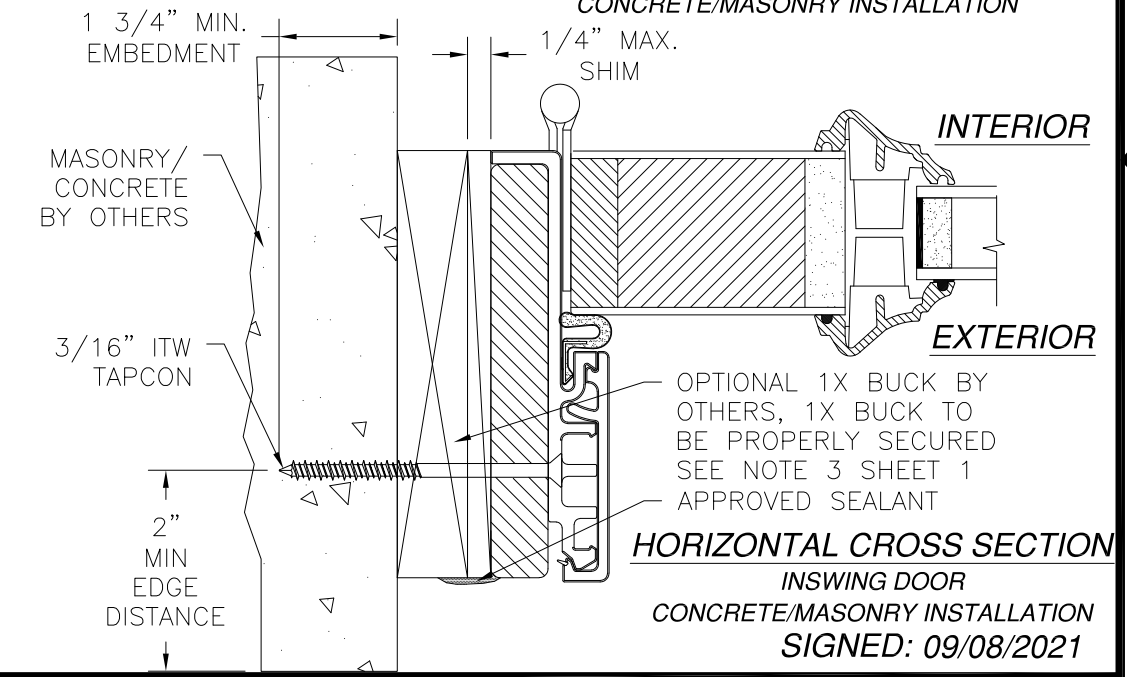
**VERTICAL CROSS SECTION**  
INSWING DOOR  
MASONRY/CONCRETE INSTALLATION



**VERTICAL CROSS SECTION**  
INSWING SIDELITE  
MASONRY/CONCRETE INSTALLATION



**HORIZONTAL CROSS SECTION**  
INSWING SIDELITE  
CONCRETE/MASONRY INSTALLATION



**HORIZONTAL CROSS SECTION**  
INSWING DOOR  
CONCRETE/MASONRY INSTALLATION  
SIGNED: 09/08/2021

**PROVIA, LLC.**  
2150 STATE ROUTE 39 WEST  
SUGARCREEK, OH 44681

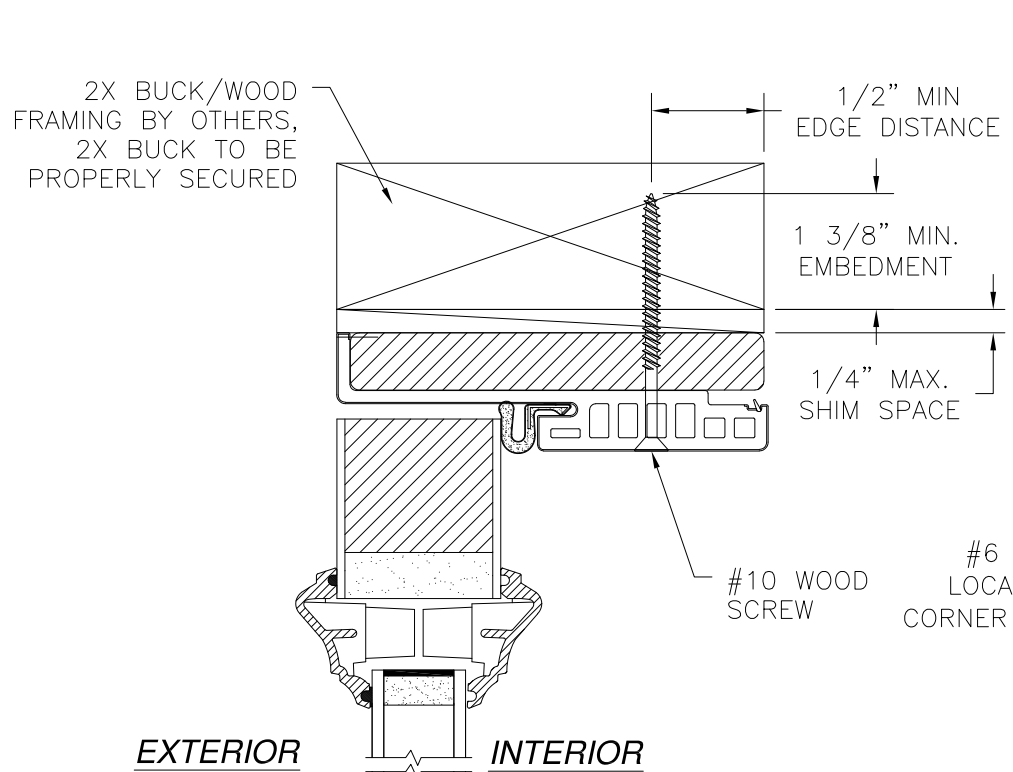
SIGNET EMBOSSED IS/OS 8'0 GLAZED FIBERGLASS  
DOOR W/ AND W/OUT DIRECT SET SIDELITES  
INSWING INSTALLATION DETAILS

DRAWN: TJH	DWG NO. 08-01162	REV J
SCALE NTS	DATE 02/09/11	SHEET 14 OF 21

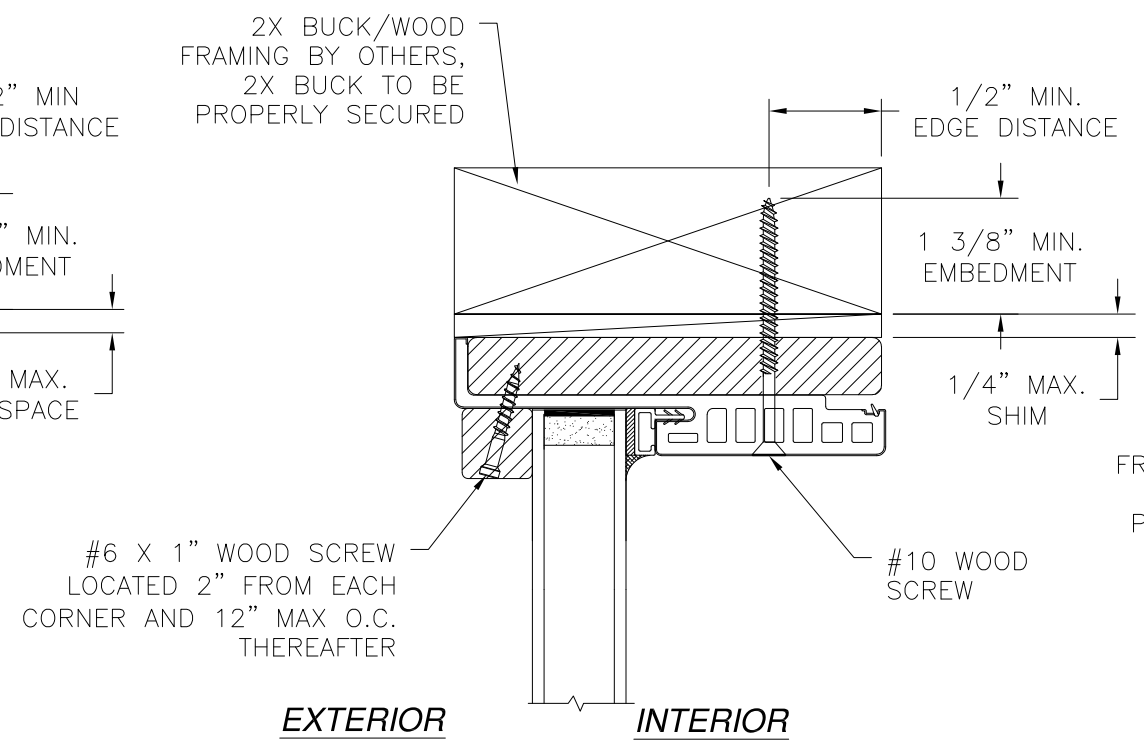
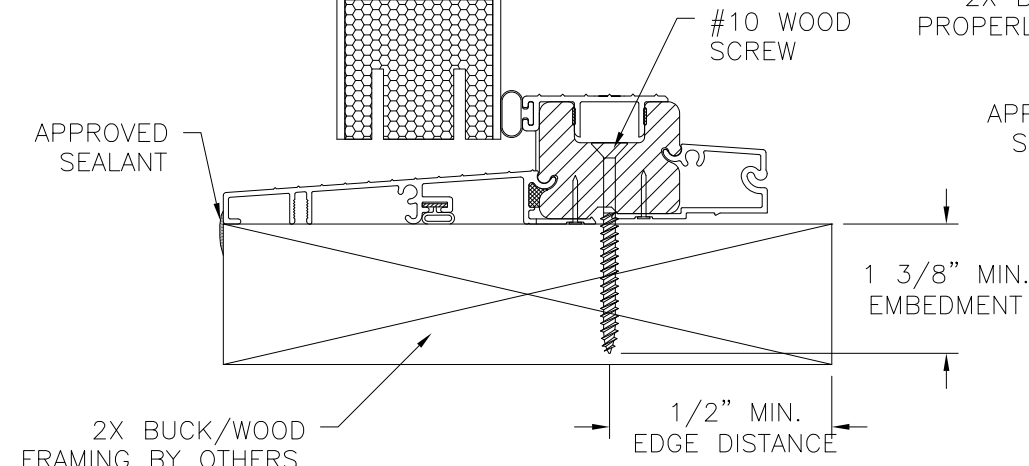
L. ROBERTO LOMAS P.E.  
1432 WOODFORD RD LEWISVILLE, NC 27023  
434-688-0609 rllomas@rlomaspe.com

Luis R. Lomas P.E.  
FL No.: 62514

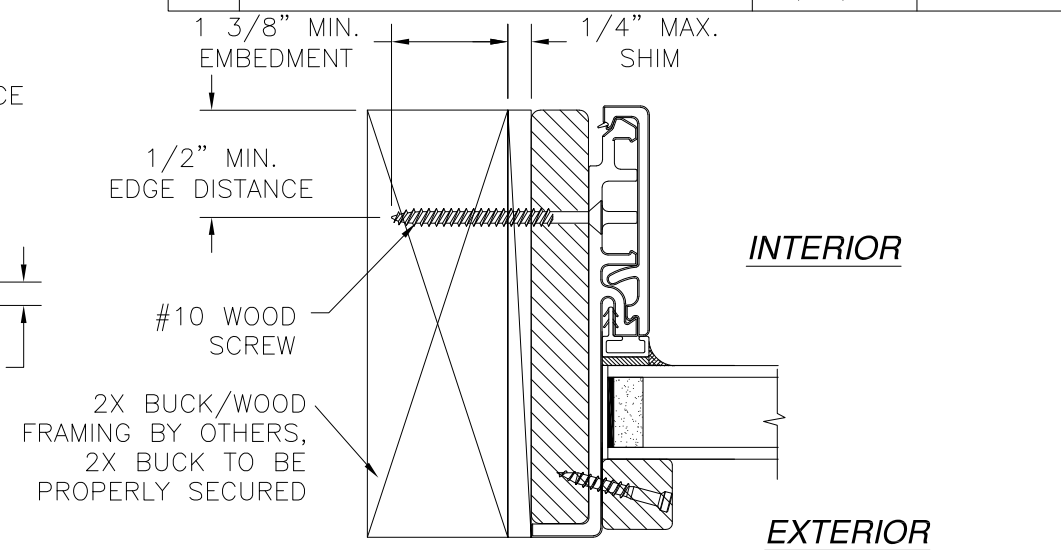
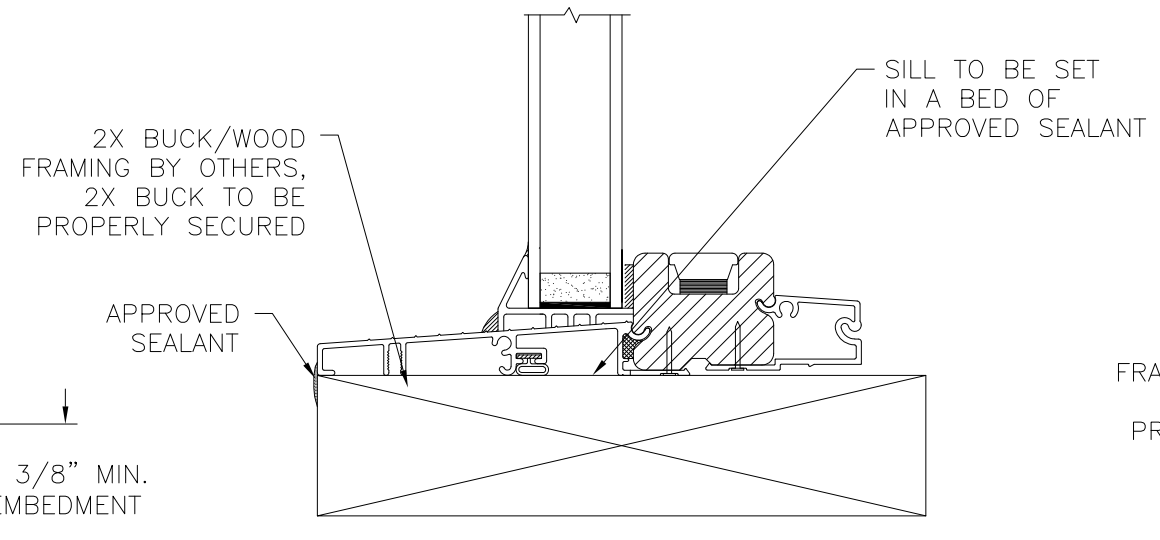
REVISIONS			
REV	DESCRIPTION	DATE	APPROVED
J	ADDED GLAZED FIR TRIMS	08/26/2021	R.L.



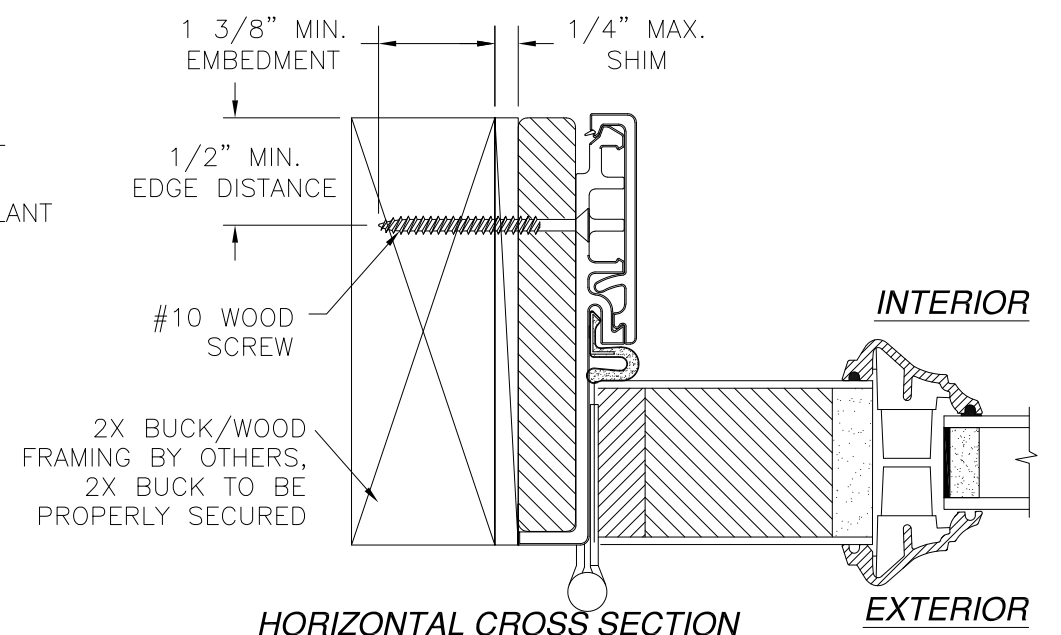
**VERTICAL CROSS SECTION**  
OUTSWING DOOR  
2X BUCK/WOOD FRAMING INSTALLATION



**VERTICAL CROSS SECTION**  
OUTSWING SIDELITE  
2X BUCK/WOOD FRAMING INSTALLATION



**HORIZONTAL CROSS SECTION**  
OUTSWING SIDELITE  
2X BUCK/WOOD FRAMING INSTALLATION



**HORIZONTAL CROSS SECTION**  
OUTSWING DOOR  
2X BUCK/WOOD FRAMING INSTALLATION

PROVIA, LLC.  
2150 STATE ROUTE 39 WEST  
SUGARCREEK, OH 44681

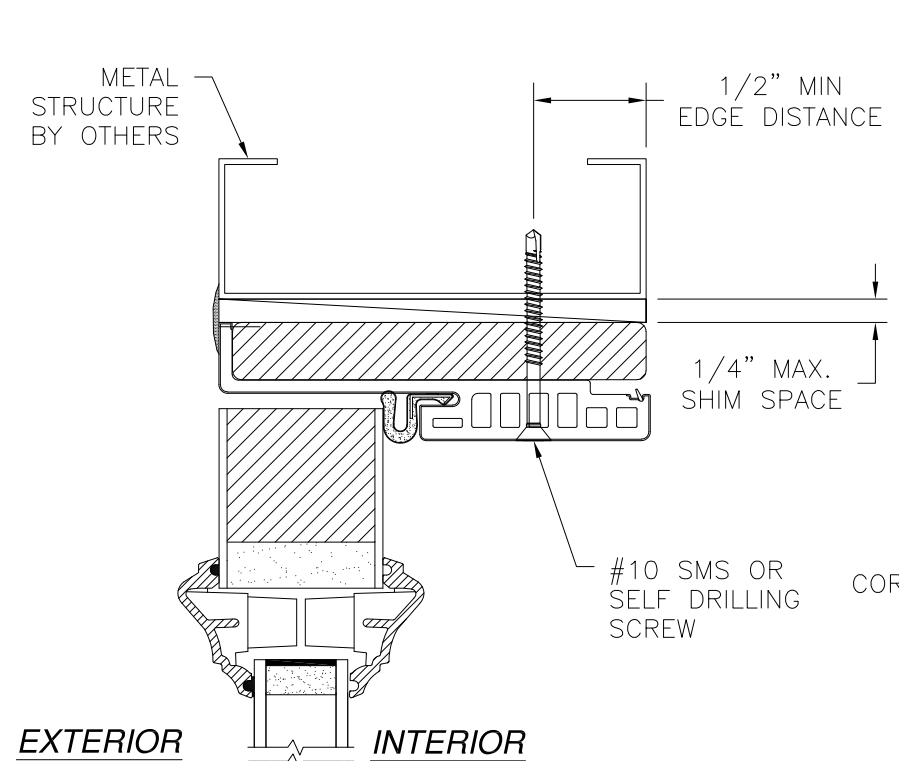
SIGNET EMBOSSED IS/OS 8'0 GLAZED FIBERGLASS  
DOOR W/ AND W/OUT DIRECT SET SIDELITES  
OUTSWING INSTALLATION DETAILS W/FUSION FRAME

DRAWN: TJH	DWG NO. 08-01162	REV J
SCALE NTS	DATE 02/09/11	SHEET 15 OF 21

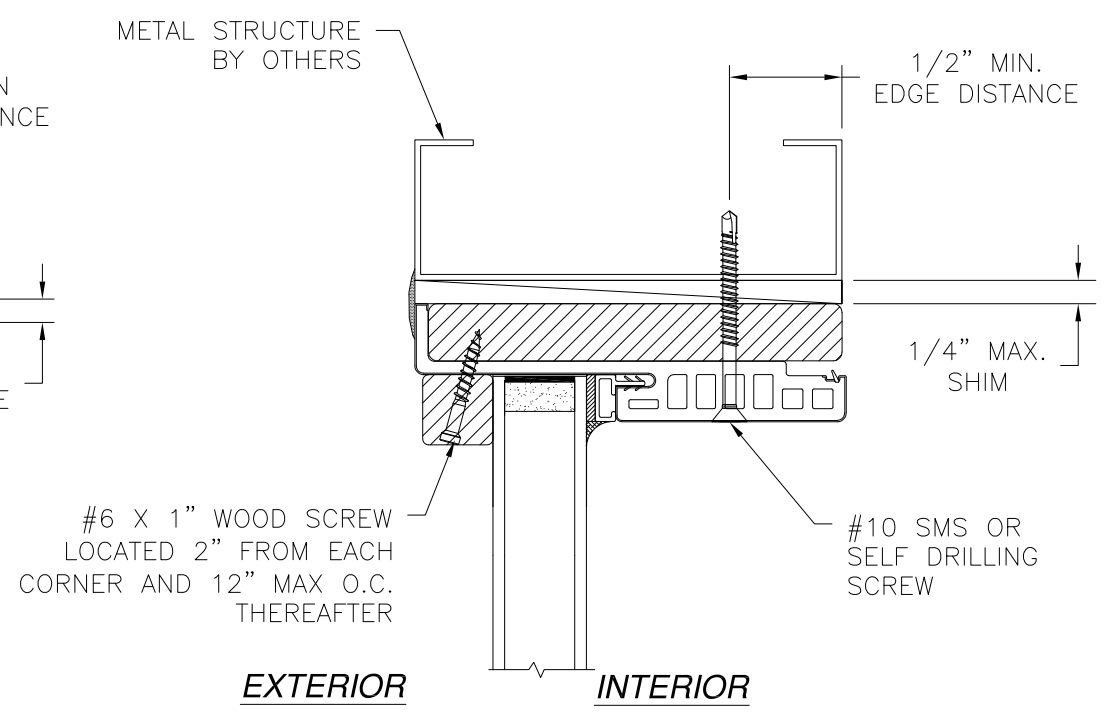
L. ROBERTO LOMAS P.E.  
1432 WOODFORD RD LEWISVILLE, NC 27023  
434-688-0609 rllomas@rlomaspe.com

Luis R. Lomas P.E.  
FL No.: 62514

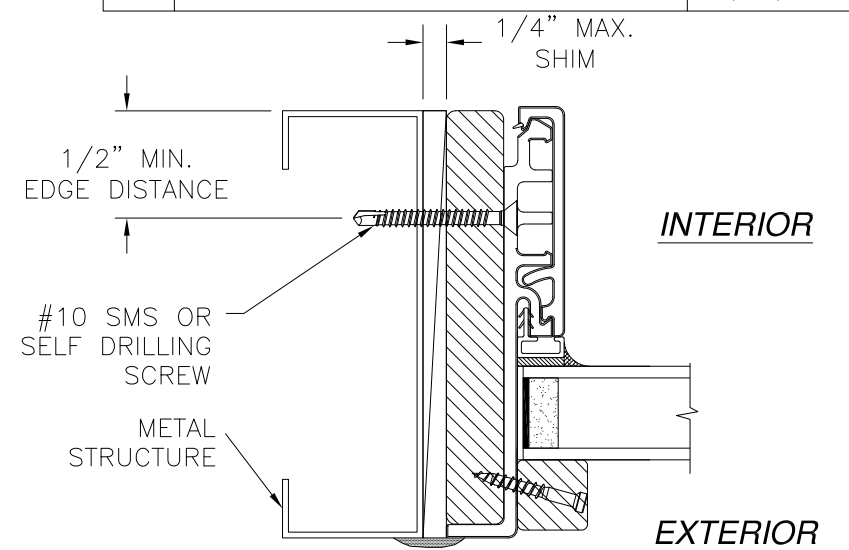
REVISIONS			
REV	DESCRIPTION	DATE	APPROVED
J	ADDED GLAZED FIR TRIMS	08/26/2021	R.L.



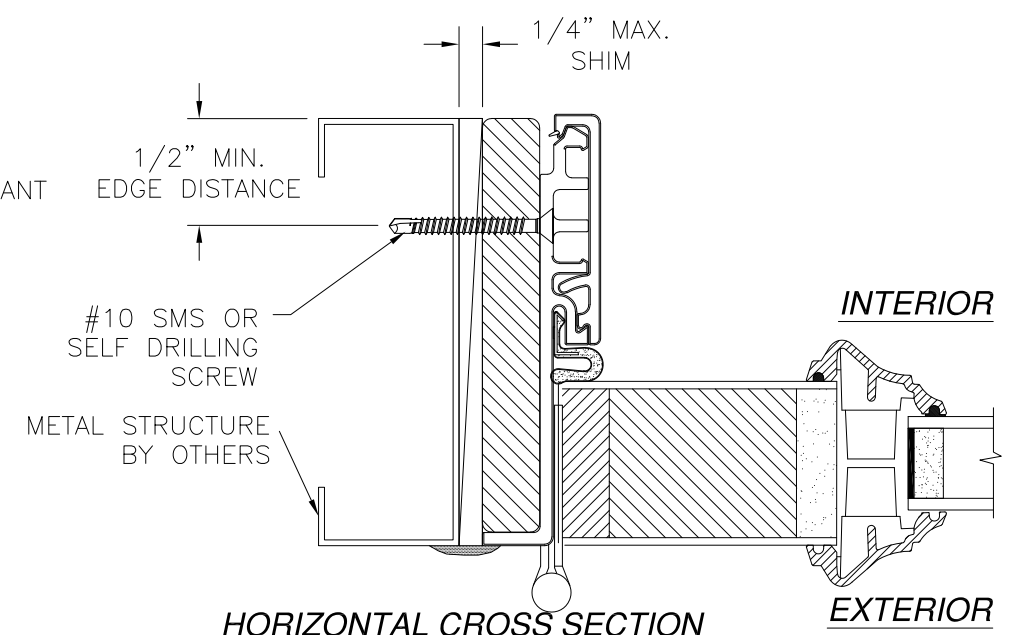
**VERTICAL CROSS SECTION**  
OUTSWING DOOR  
METAL STRUCTURE INSTALLATION



**VERTICAL CROSS SECTION**  
OUTSWING SIDELITE  
METAL STRUCTURE INSTALLATION

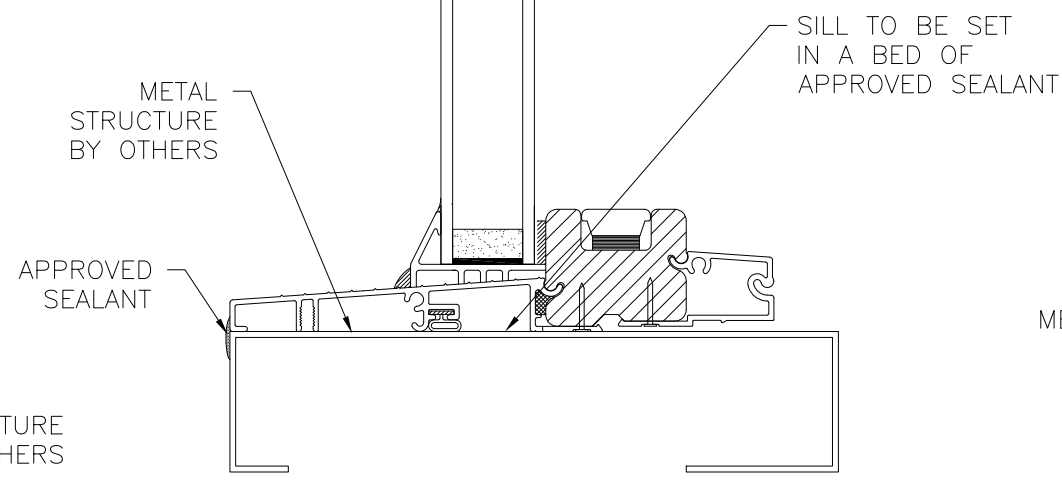
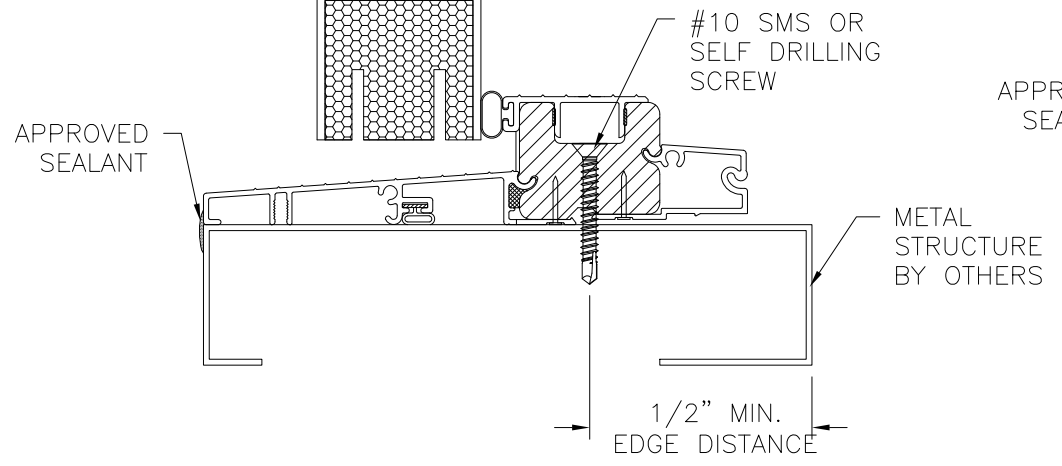


**HORIZONTAL CROSS SECTION**  
OUTSWING SIDELITE  
METAL STRUCTURE INSTALLATION



**HORIZONTAL CROSS SECTION**  
OUTSWING DOOR  
METAL STRUCTURE INSTALLATION

SIGNED: 09/08/2021

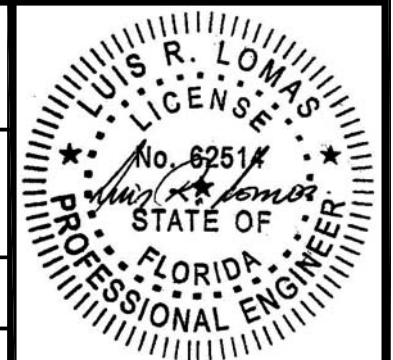


PROVIA, LLC.  
2150 STATE ROUTE 39 WEST  
SUGARCREEK, OH 44681

SIGNET EMBOSSED IS/OS 8'0 GLAZED FIBERGLASS  
DOOR W/ AND W/OUT DIRECT SET SIDELITES  
IN SWING INSTALLATION DETAILS

DRAWN: TJH	DWG NO. 08-01162	REV J
SCALE NTS	DATE 02/09/11	SHEET 16 OF 21

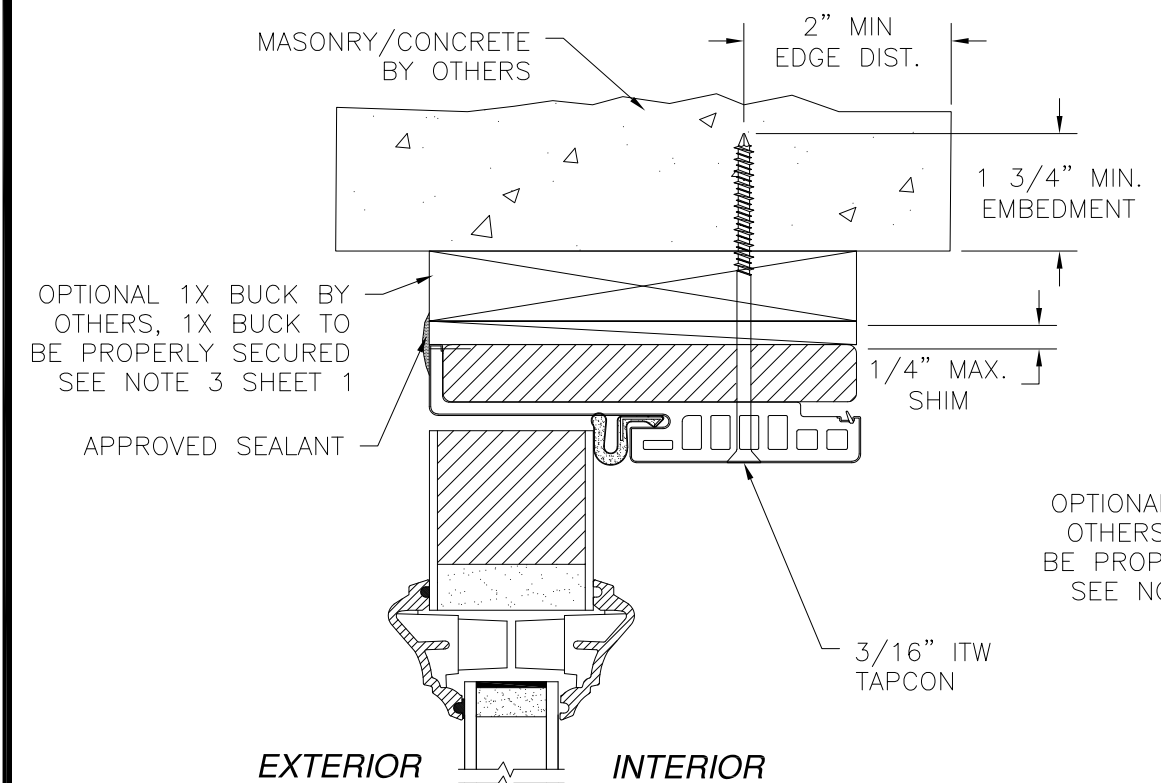
L. ROBERTO LOMAS P.E.  
1432 WOODFORD RD LEWISVILLE, NC 27023  
434-688-0609 rllomas@rlomaspe.com



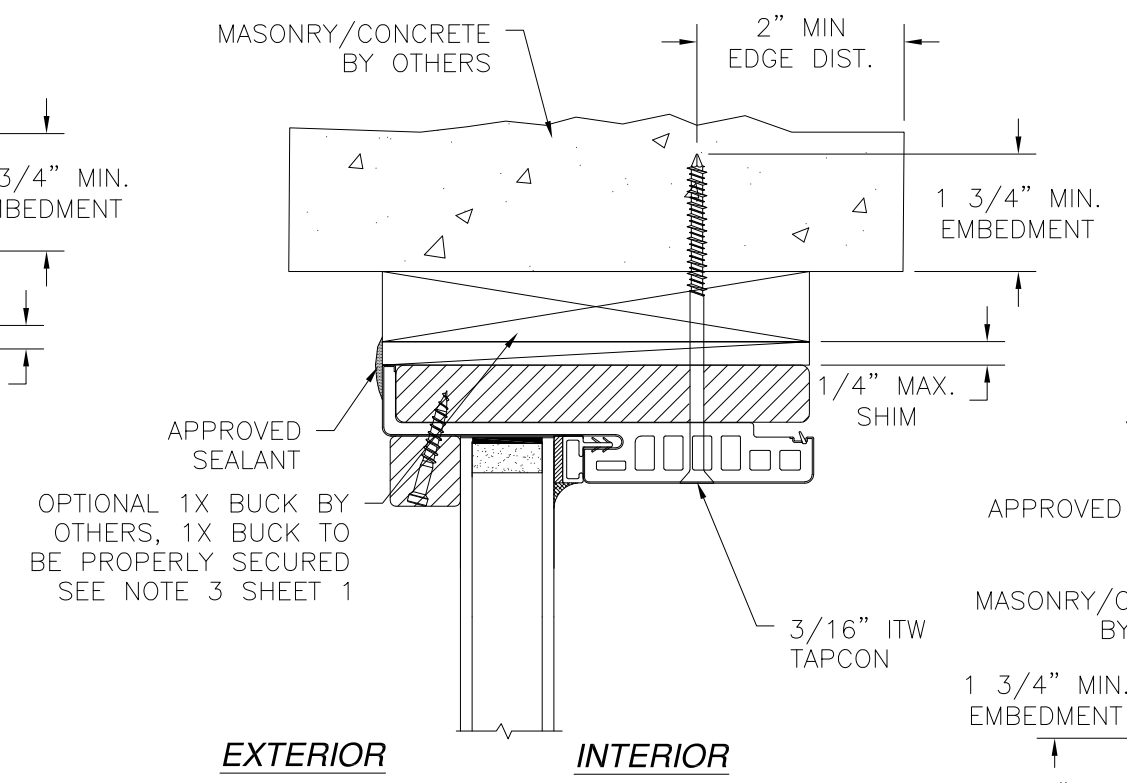
Luis R. Lomas P.E.  
FL No.: 62514



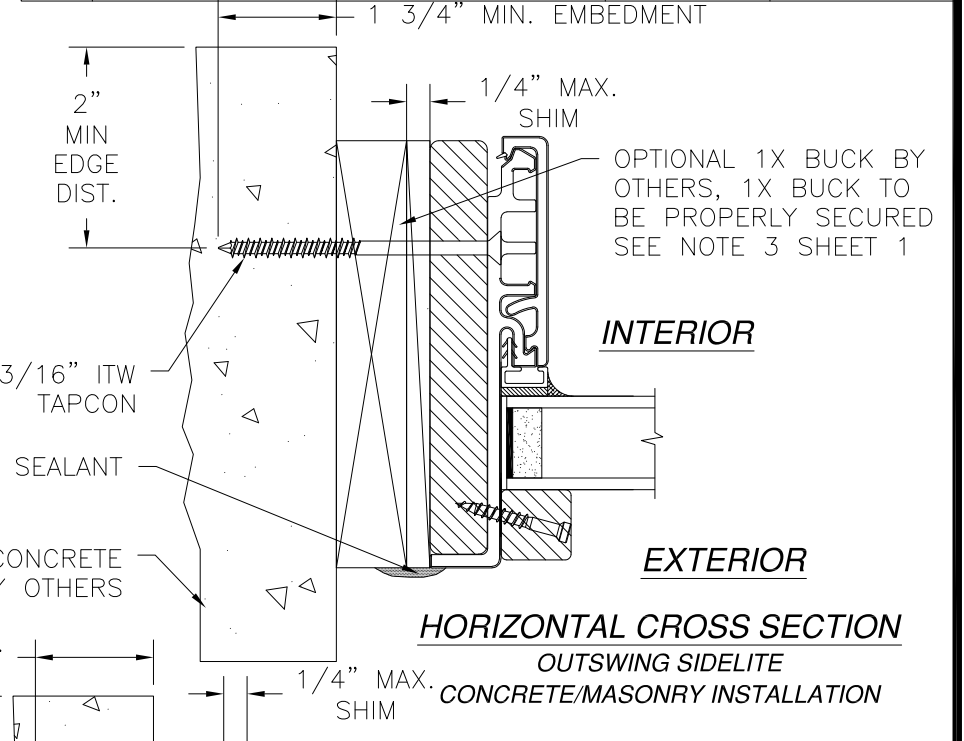
REVISIONS			
REV	DESCRIPTION	DATE	APPROVED
J	ADDED GLAZED FIR TRIMS	08/26/2021	R.L.



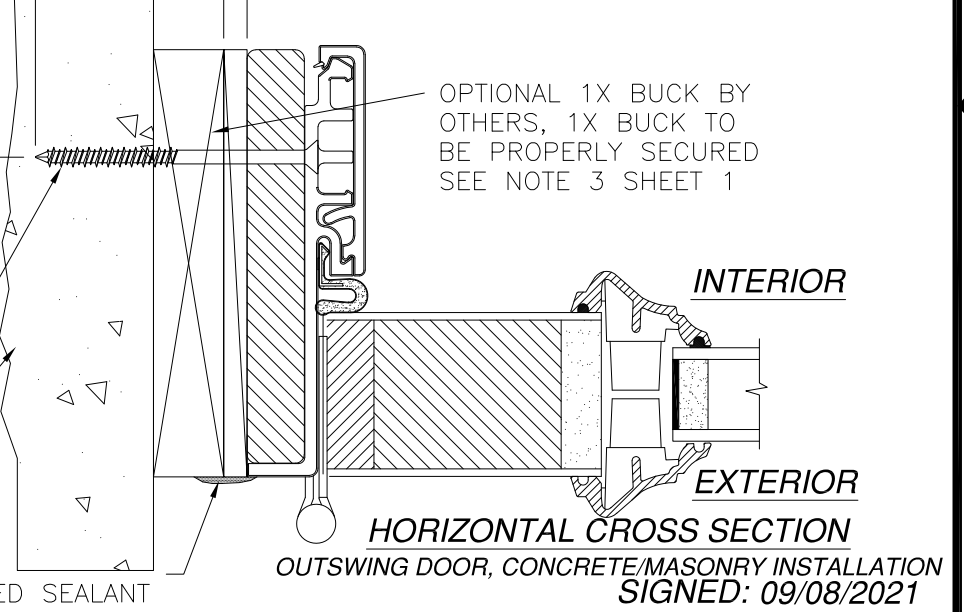
**VERTICAL CROSS SECTION**  
OUTSWING DOOR  
MASONRY/CONCRETE INSTALLATION



**VERTICAL CROSS SECTION**  
OUTSWING SIDELITE  
MASONRY/CONCRETE INSTALLATION



**HORIZONTAL CROSS SECTION**  
OUTSWING SIDELITE  
CONCRETE/MASONRY INSTALLATION



**HORIZONTAL CROSS SECTION**  
OUTSWING DOOR, CONCRETE/MASONRY INSTALLATION  
SIGNED: 09/08/2021

PROVIA, LLC.  
2150 STATE ROUTE 39 WEST  
SUGARCREEK, OH 44681

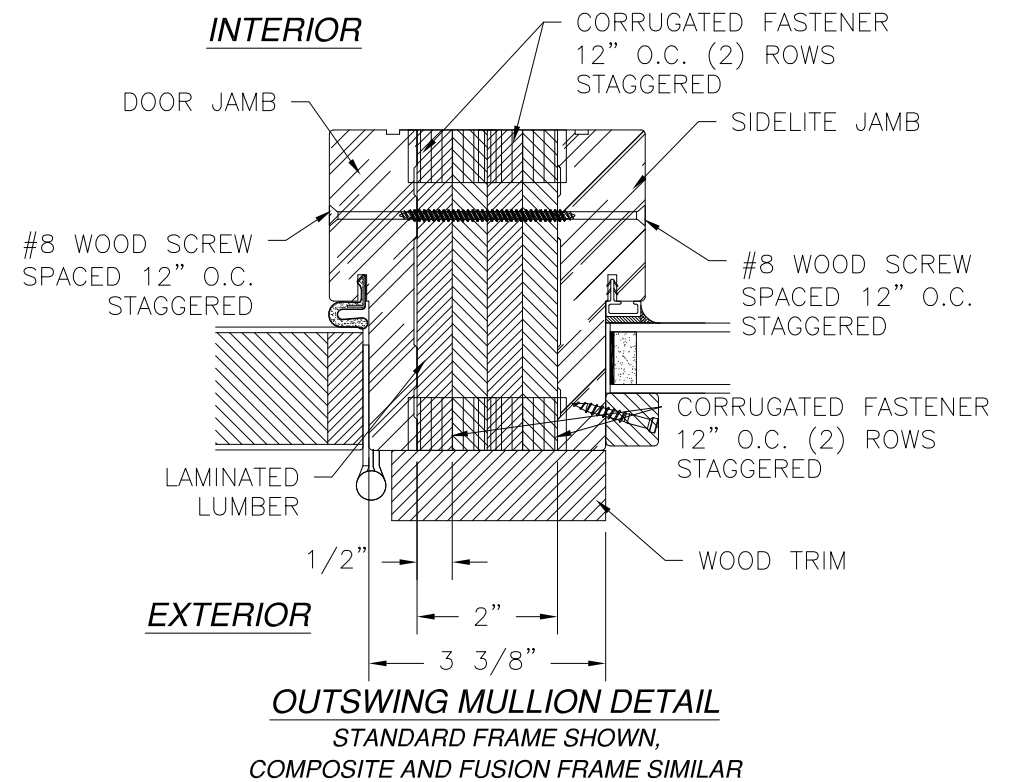
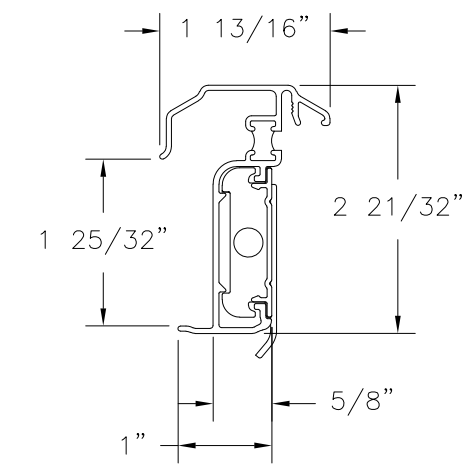
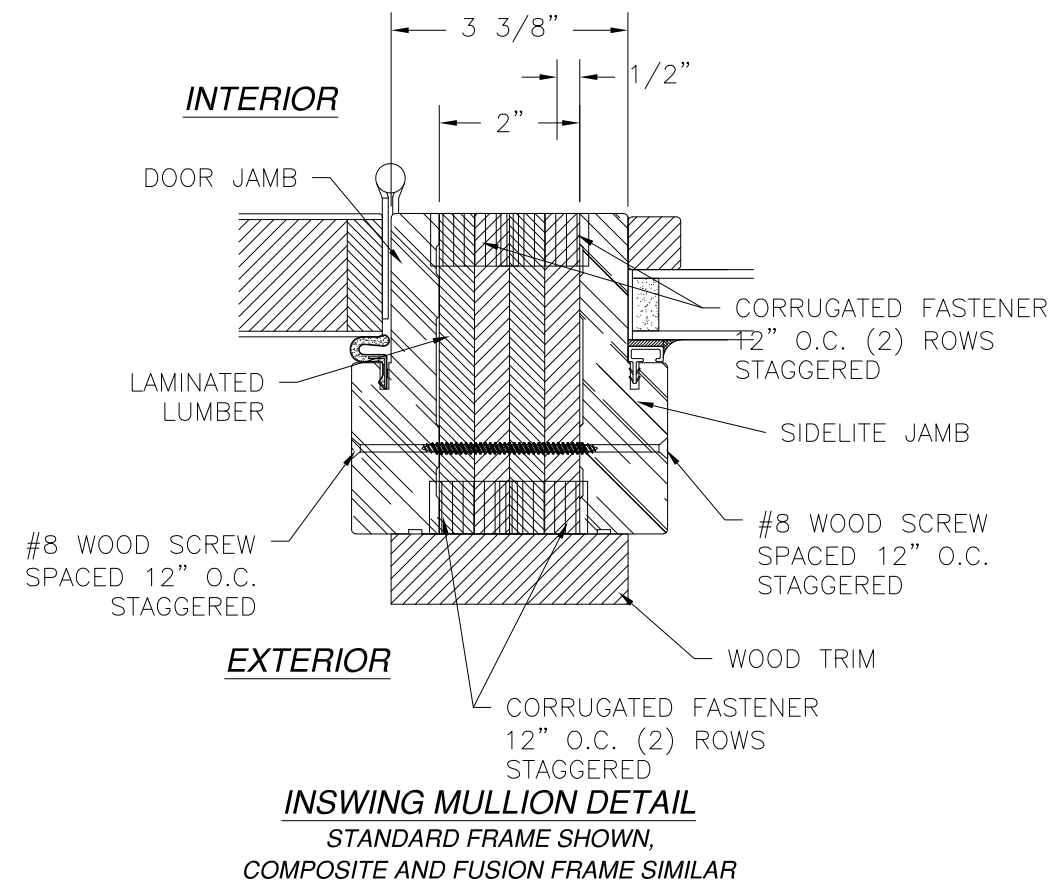
SIGNET EMBOSSED IS/OS 8'0 GLAZED FIBERGLASS  
DOOR W/ AND W/OUT DIRECT SET SIDELITES  
OUTSWING INSTALLATION DETAILS W/FUSION FRAME

DRAWN: TJH	DWG NO. 08-01162	REV J
SCALE NTS	DATE 02/09/11	SHEET 17 OF 21

L. ROBERTO LOMAS P.E.  
1432 WOODFORD RD LEWISVILLE, NC 27023  
434-688-0609 rllomas@rlomaspe.com

Luis R. Lomas P.E.  
FL No.: 62514

REVISIONS			
REV	DESCRIPTION	DATE	APPROVED
J	ADDED GLAZED FIR TRIMS	08/26/2021	R.L.



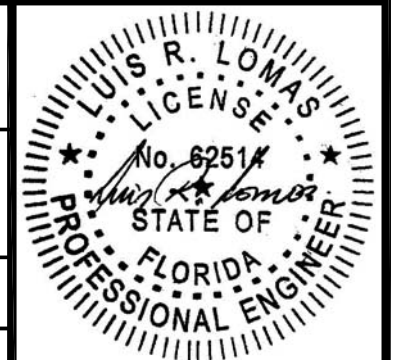
PROVIA, LLC.  
2150 STATE ROUTE 39 WEST  
SUGARCREEK, OH 44681

SIGNET EMBOSSED IS/OS 8'0 GLAZED FIBERGLASS  
DOOR W/ AND W/OUT DIRECT SET SIDELITES  
MULLION DETAILS

DRAWN: TJH	DWG NO. 08-01162	REV J
SCALE NTS	DATE 02/09/11	SHEET 18 OF 21

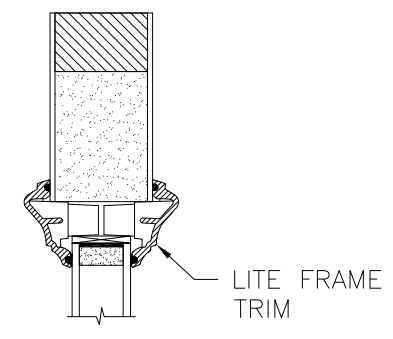
L. ROBERTO LOMAS P.E.  
1432 WOODFORD RD LEWISVILLE, NC 27023  
434-688-0609 rllomas@rlomaspe.com

SIGNED: 09/08/2021

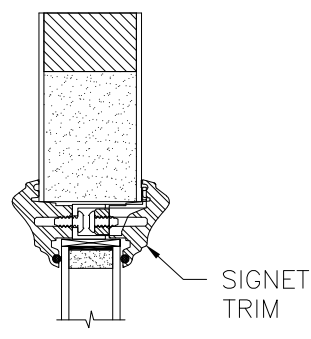


Luis R. Lomas P.E.  
FL No.: 62514

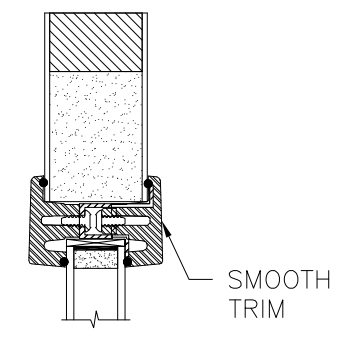
REVISIONS			
REV	DESCRIPTION	DATE	APPROVED
J	ADDED GLAZED FIR TRIMS	08/26/2021	R.L.



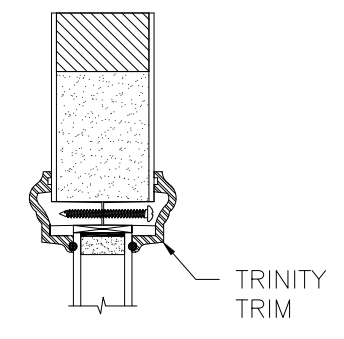
LITE FRAME TRIM



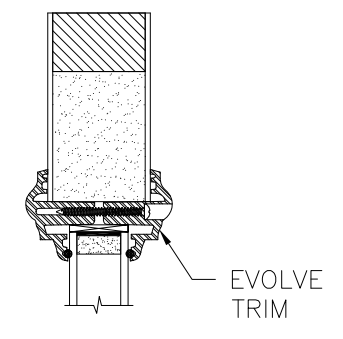
SIGNET TRIM



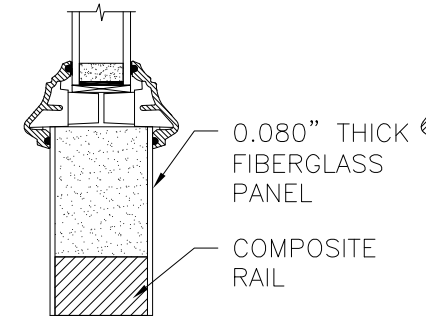
SMOOTH TRIM



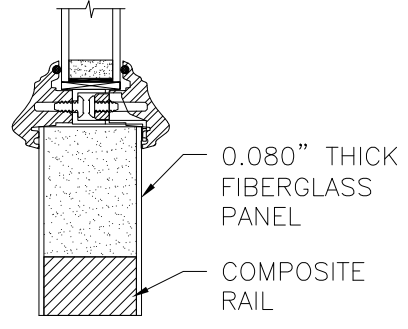
TRINITY TRIM



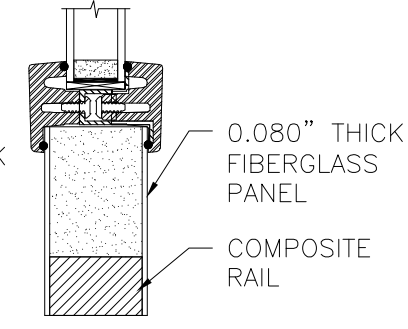
EVOLVE TRIM



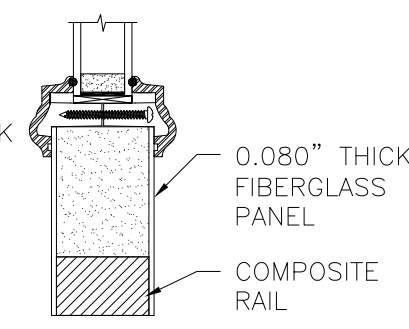
**OPTION 1**  
LITE FRAME TRIM



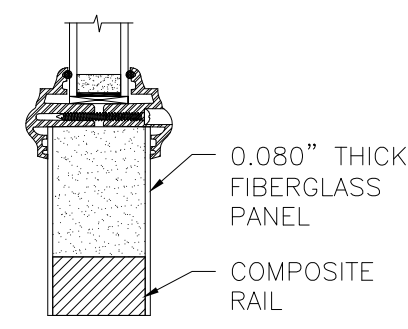
**OPTION 2**  
SIGNET TRIM



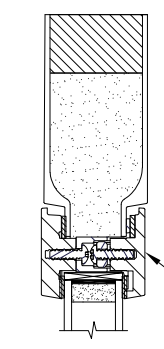
**OPTION 3**  
SMOOTH TRIM



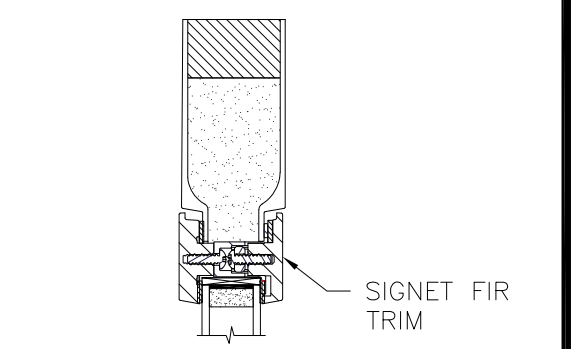
**OPTION 4**  
TRINITY TRIM



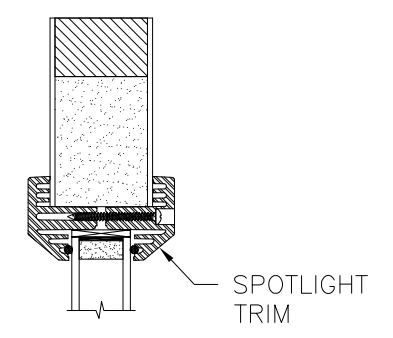
**OPTION 5**  
EVOLVE TRIM



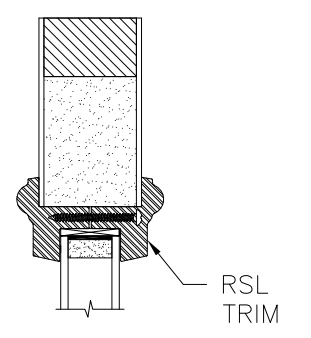
SIGNET FIR TRIM



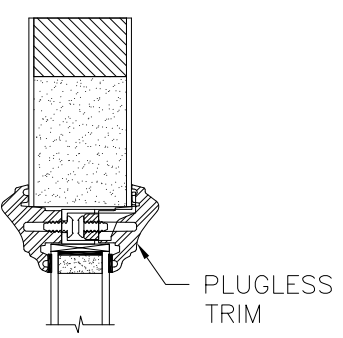
SIGNET FIR TRIM



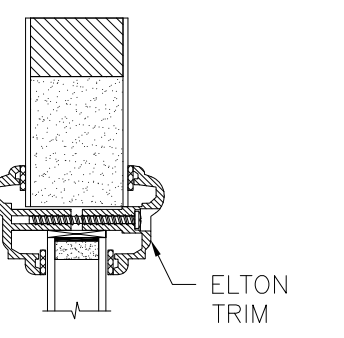
SPOTLIGHT TRIM



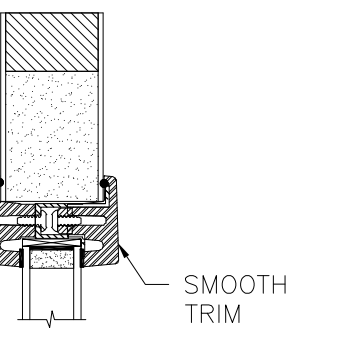
RSL TRIM



PLUGLESS TRIM



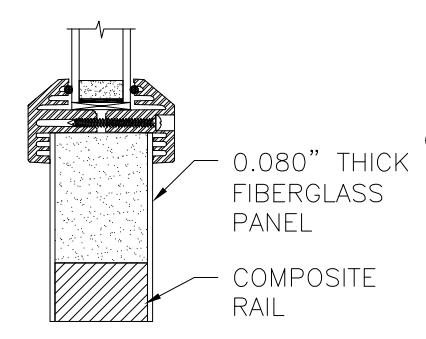
ELTON TRIM



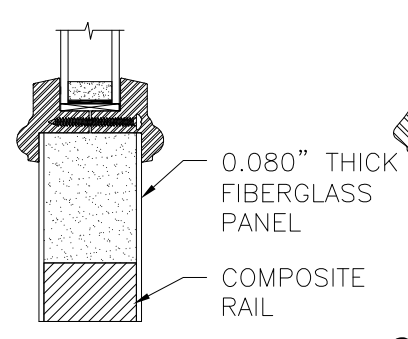
SMOOTH TRIM

**OPTION 11**  
SIGNET FIR TRIM

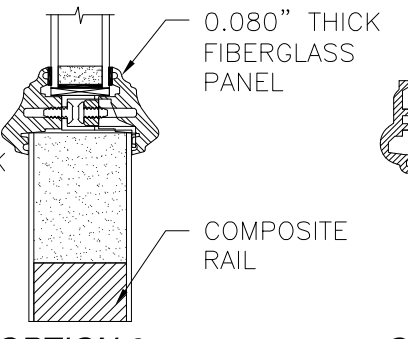
**OPTION 12**  
SIGNET FIR &  
DENTIL SHELF TRIM



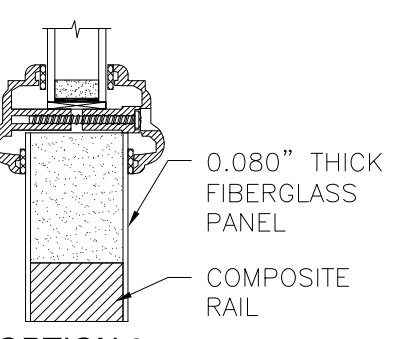
**OPTION 6**  
SPOTLIGHT TRIM



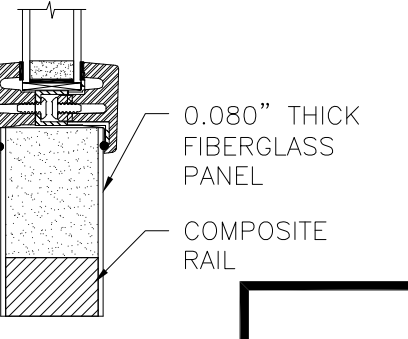
**OPTION 7**  
RSL TRIM



**OPTION 8**  
PLUGLESS TRIM  
W/TAPE



**OPTION 9**  
ELTON TRIM



**OPTION 10**  
SMOOTH TRIM  
W/TAPE

**APPROVED SLABS AND TRIMS**

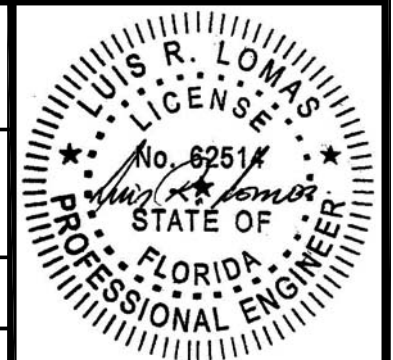
PROVIA, LLC.  
2150 STATE ROUTE 39 WEST  
SUGARCREEK, OH 44681

SIGNET EMBOSSED IS/OS 8'0 GLAZED FIBERGLASS  
DOOR W/ AND W/OUT DIRECT SET SIDELITES  
APPROVED SLABS

DRAWN: TJH	DWG NO. 08-01162	REV J
SCALE NTS	DATE 02/09/11	SHEET 19 OF 21

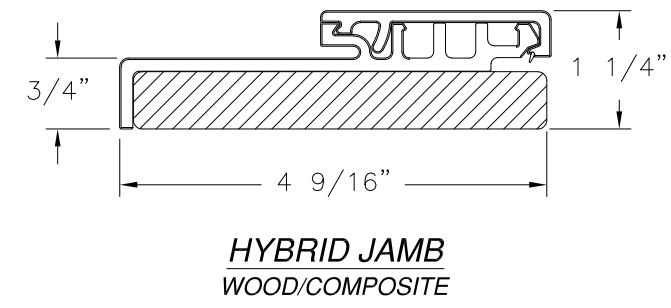
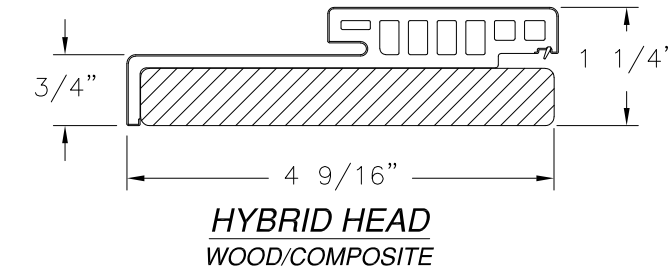
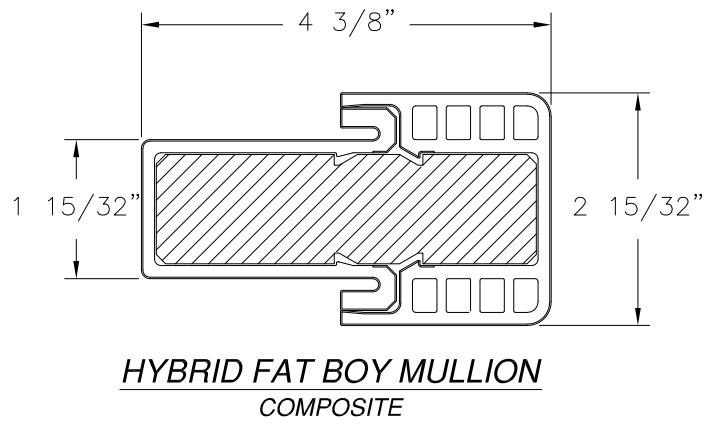
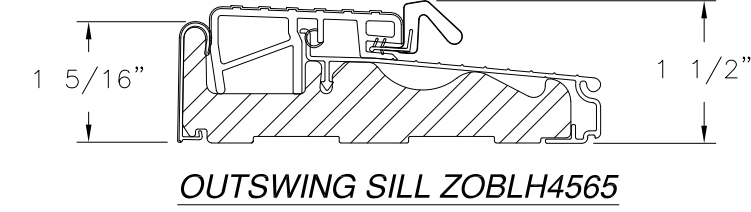
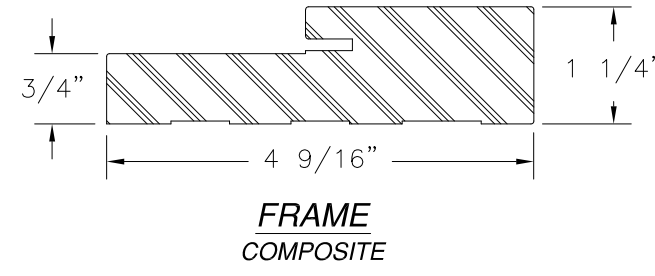
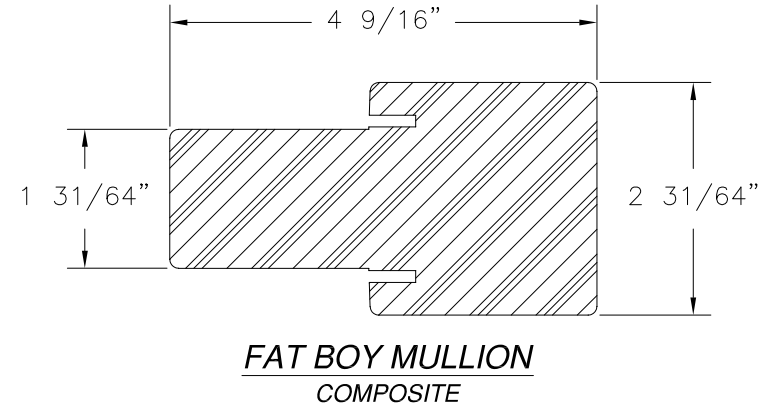
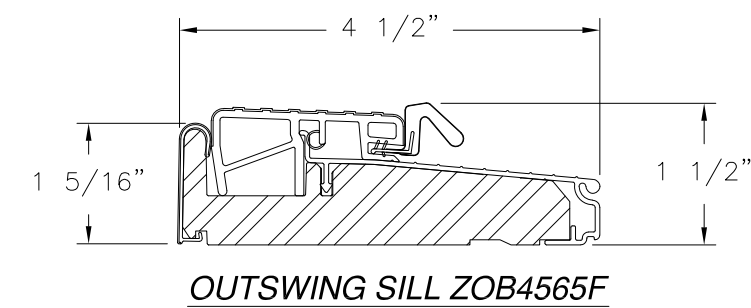
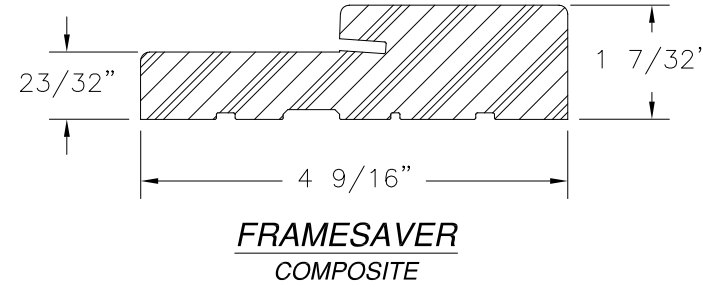
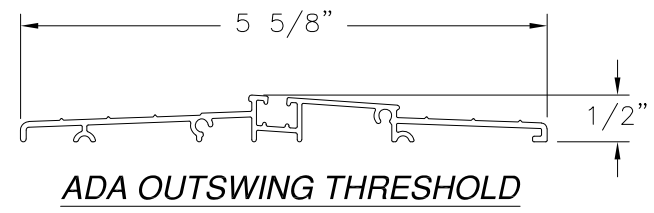
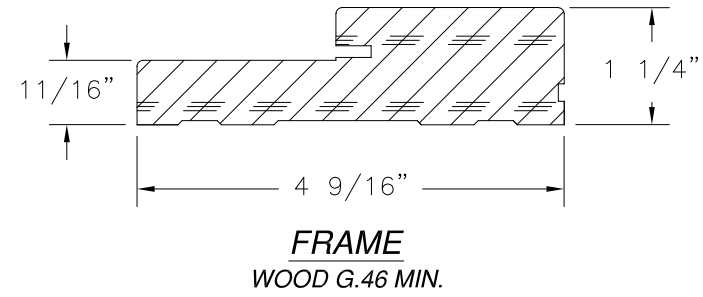
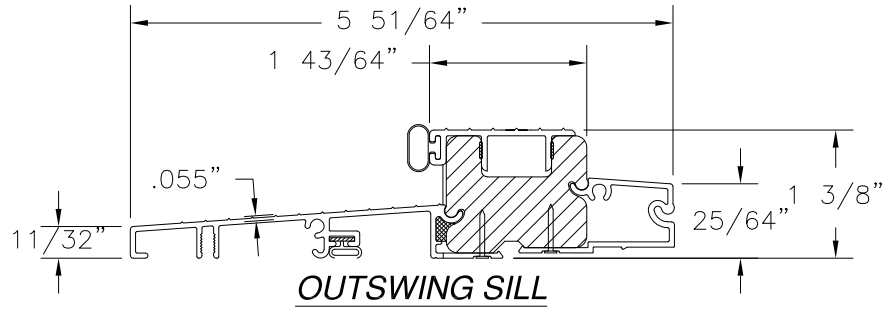
L. ROBERTO LOMAS P.E.  
1432 WOODFORD RD LEWISVILLE, NC 27023  
434-688-0609 rllomas@rlomaspe.com

SIGNED: 09/08/2021



Luis R. Lomas P.E.  
FL No.: 62514

REVISIONS			
REV	DESCRIPTION	DATE	APPROVED
J	ADDED GLAZED FIR TRIMS	08/26/2021	R.L.



SIGNED: 09/08/2021

PROVIA, LLC.  
2150 STATE ROUTE 39 WEST  
SUGARCREEK, OH 44681

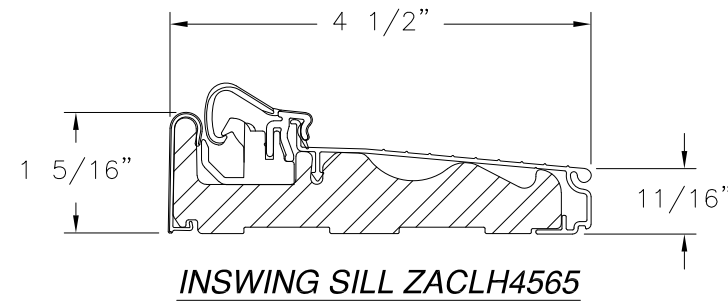
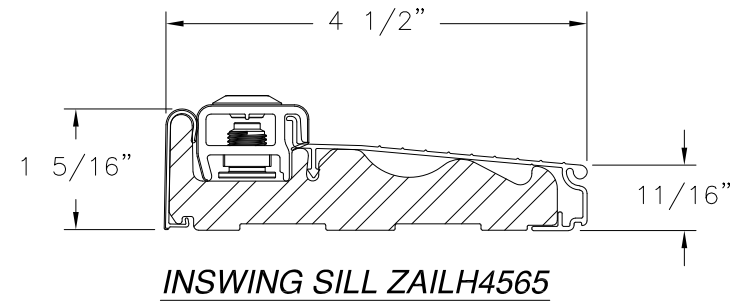
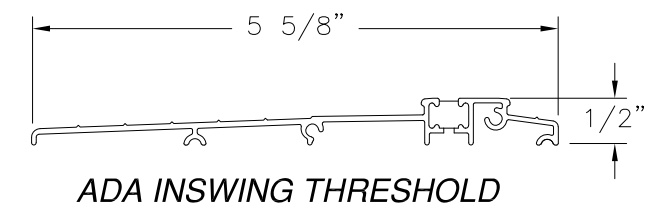
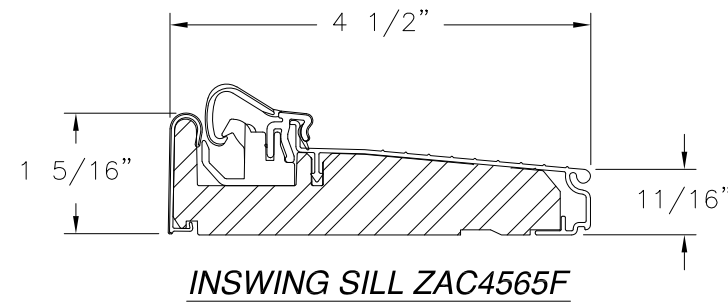
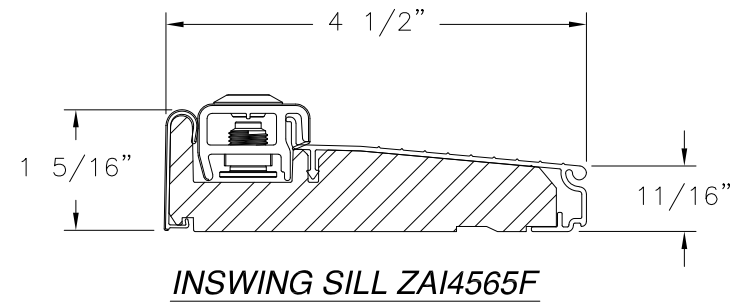
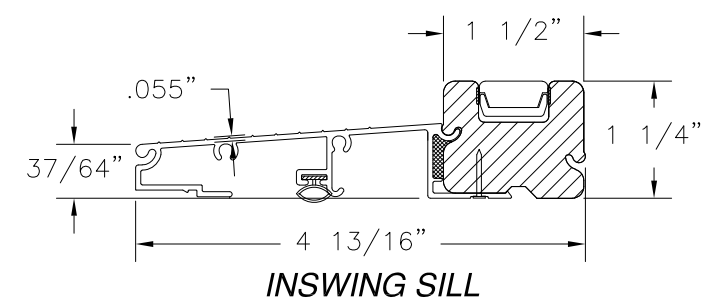
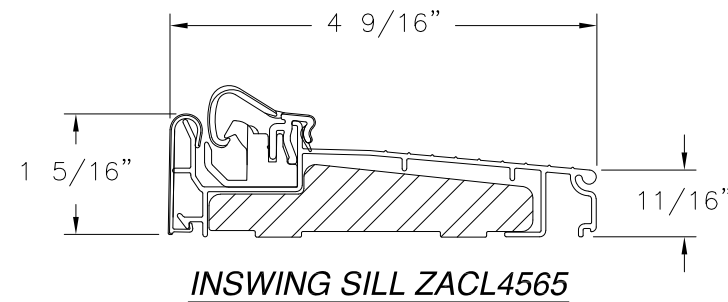
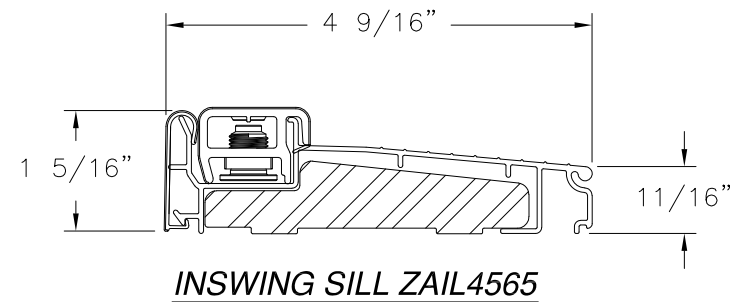
SIGNET EMBOSSED IS/OS 8'0 GLAZED FIBERGLASS  
DOOR W/ AND W/OUT DIRECT SET SIDELITES  
COMPONENTS

DRAWN: TJH	DWG NO. 08-01162	REV J
SCALE NTS	DATE 02/09/11	SHEET 20 OF 21

L. ROBERTO LOMAS P.E.  
1432 WOODFORD RD LEWISVILLE, NC 27023  
434-688-0609 rllomas@rlomaspe.com

Luis R. Lomas P.E.  
FL No.: 62514

REVISIONS			
REV	DESCRIPTION	DATE	APPROVED
J	ADDED GLAZED FIR TRIMS	08/26/2021	R.L.



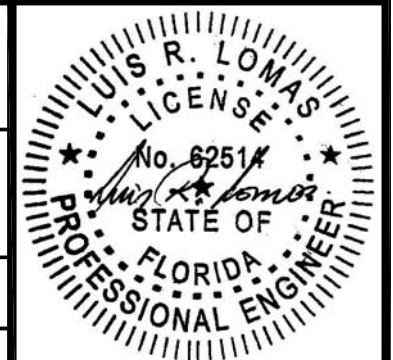
SIGNED: 09/08/2021

PROVIA, LLC.  
 2150 STATE ROUTE 39 WEST  
 SUGARCREEK, OH 44681

SIGNET EMBOSSED IS/OS 8'0 GLAZED FIBERGLASS  
 DOOR W/ AND W/OUT DIRECT SET SIDELITES  
 COMPONENTS

DRAWN: TJH	DWG NO. 08-01162	REV J
SCALE NTS	DATE 02/09/11	SHEET 21 OF 21

L. ROBERTO LOMAS P.E.  
 1432 WOODFORD RD LEWISVILLE, NC 27023  
 434-688-0609 rllomas@rlomaspe.com



Luis R. Lomas P.E.  
 FL No.: 62514