

REVISIONS			
REV	DESCRIPTION	DATE	APPROVED
J	ADDED GLAZED FIR TRIMS	08/26/2021	R.L.

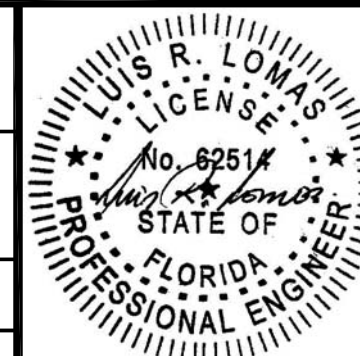
NOTES:

1. THE PRODUCT SHOWN HEREIN IS DESIGNED AND MANUFACTURED TO COMPLY WITH REQUIREMENTS OF THE FLORIDA BUILDING CODE.
2. WOOD FRAMING, METAL STRUCTURE AND MASONRY OPENING TO BE DESIGNED AND ANCHORED TO PROPERLY TRANSFER ALL LOADS TO STRUCTURE. FRAMING AND MASONRY OPENING IS THE RESPONSIBILITY OF THE ARCHITECT OR ENGINEER OF RECORD.
3. 1X BUCK OVER MASONRY/CONCRETE IS OPTIONAL. WHERE 1X BUCK IS NOT USED DISSIMILAR MATERIALS MUST BE SEPARATED WITH APPROVED COATING OR MEMBRANE. SELECTION OF COATING OR MEMBRANE IS THE RESPONSIBILITY OF THE ARCHITECT OR ENGINEER OF RECORD.
4. ALLOWABLE STRESS INCREASE OF 1/3 WAS NOT USED IN THE DESIGN OF THE PRODUCT SHOWN HEREIN. WIND LOAD DURATION FACTOR Cd=1.6 WAS USED FOR WOOD ANCHOR CALCULATIONS.
5. FRAME MATERIAL: WOOD WITH G=.46 MINIMUM SPECIFIC GRAVITY, OR COMPOSITE, OR FRAMESAVER, OR FUSION FRAME.  
DOOR SKIN MATERIAL: STEEL .033" THICK (MINIMUM), FIBERGLASS .085" THICK (MINIMUM)
6. UNITS MUST BE GLAZED PER ASTM E1300, WITH SAFETY GLAZING.
7. APPROVED IMPACT PROTECTIVE SYSTEM IS REQUIRED FOR THIS PRODUCT IN WIND BORNE DEBRIS REGIONS.
8. SHIM AS REQUIRED AT EACH INSTALLATION ANCHOR WITH LOAD BEARING SHIM. SHIM WHERE SPACE OF 1/16" OR GREATER OCCURS. MAXIMUM ALLOWABLE SHIM STACK TO BE 1/4".
9. FOR ANCHORING INTO WOOD FRAMING OR 2X BUCK USE #8 WOOD SCREWS WITH SUFFICIENT LENGTH TO ACHIEVE A 1 1/4" MINIMUM EMBEDMENT INTO SUBSTRATE. LOCATE ANCHORS AS SHOWN IN ELEVATIONS AND INSTALLATION DETAILS.
10. FOR ANCHORING INTO MASONRY/CONCRETE USE 3/16" TAPCONS WITH SUFFICIENT LENGTH TO ACHIEVE A 1 3/4" MINIMUM EMBEDMENT INTO SUBSTRATE WITH 2" MINIMUM EDGE DISTANCE. LOCATE ANCHORS AS SHOWN IN ELEVATIONS AND INSTALLATION DETAILS.
11. FOR ANCHORING INTO METAL STRUCTURE USE #8 SMS OR SELF DRILLING SCREWS WITH SUFFICIENT LENGTH TO ACHIEVE 3 THREADS MINIMUM BEYOND STRUCTURE INTERIOR WALL. LOCATE ANCHORS AS SHOWN IN ELEVATIONS AND INSTALLATION DETAILS.
12. ALL FASTENERS TO BE CORROSION RESISTANT.
13. INSTALLATION ANCHORS SHALL BE INSTALLED IN ACCORDANCE WITH ANCHOR MANUFACTURER'S INSTALLATION INSTRUCTIONS AND ANCHORS SHALL NOT BE USED IN SUBSTRATES WITH STRENGTHS LESS THAN THE MINIMUM STRENGTH SPECIFIED BELOW:
  - A. WOOD – MINIMUM SPECIFIC GRAVITY OF G=0.42
  - B. CONCRETE – MINIMUM COMPRESSIVE STRENGTH OF 3,192 PSI.
  - C. MASONRY – GROUT FILLED STRENGTH CONFORMANCE TO ASTM C-90, GRADE N, TYPE 1 (OR GREATER).
  - D. METAL STRUCTURE: STEEL 18GA, 33KSI OR ALUMINUM 6063-T5 .048" THICK MINIMUM

TABLE OF CONTENTS	
SHEET NO.	DESCRIPTION
1	NOTES
2	ELEVATIONS
3 – 6	INSTALLATION DETAILS
7 – 11	COMPONENTS AND DETAILS

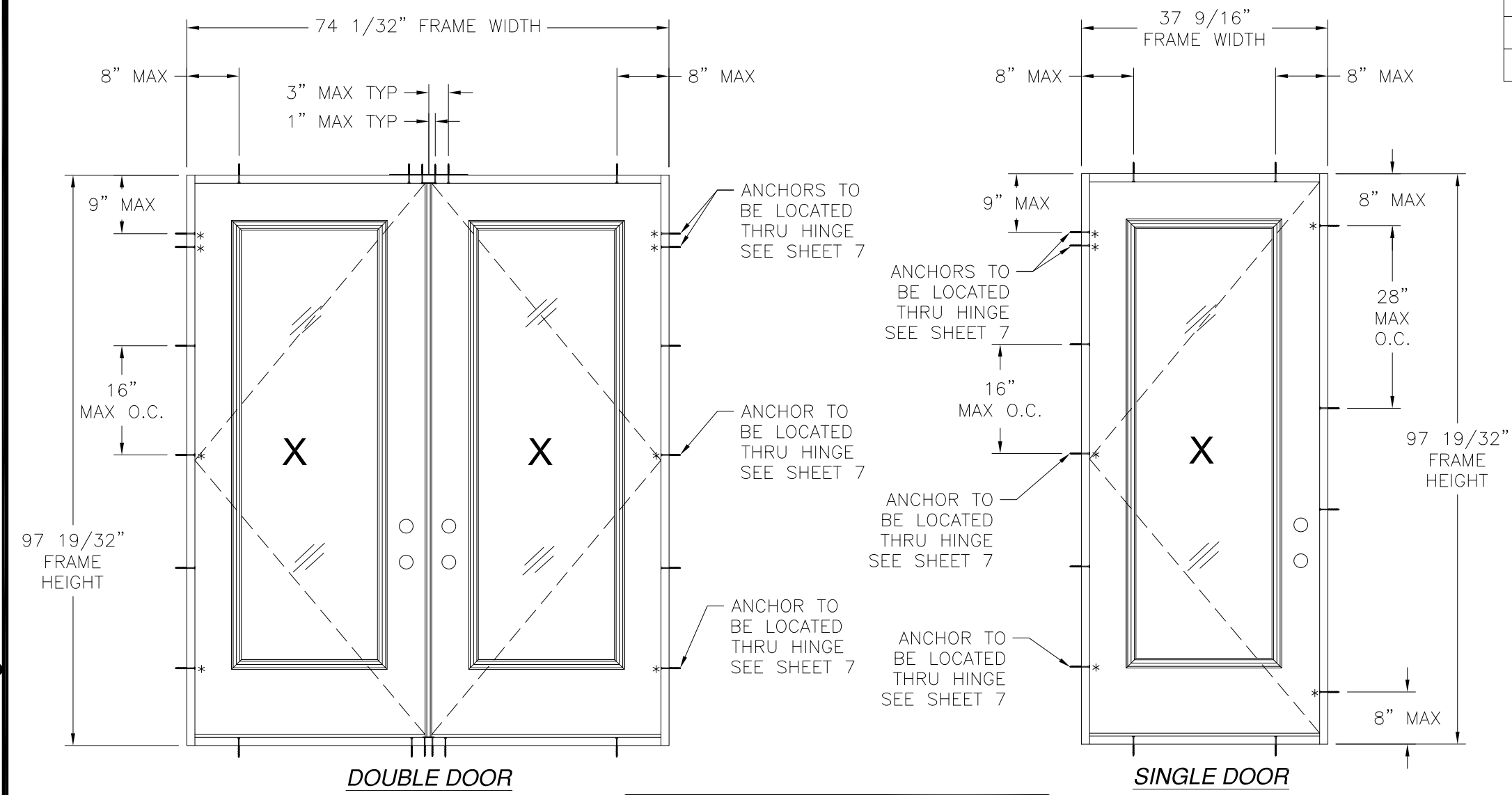
<b>PROVIA, LLC.</b> 2150 STATE ROUTE 39 WEST SUGARCREEK, OH 44681		
STEEL/FIBERGLASS INSWING GLAZED DOOR SINGLE & DOUBLE NON-IMPACT NOTES		
DRAWN: N.G.	DWG NO. 08-02066	REV J
SCALE NTS	DATE 06/18/13	SHEET 1 OF 11
L. ROBERTO LOMAS P.E. 1432 WOODFORD RD LEWISVILLE, NC 27023 434-688-0609 rllomas@rlomaspe.com		

SIGNED: 08/26/2021



Luis R. Lomas P.E.  
FL No.: 62514

REVISIONS			
REV	DESCRIPTION	DATE	APPROVED
J	ADDED GLAZED FIR TRIMS	08/26/2021	R.L.



DESIGN PRESSURE RATING	IMPACT RATING
<b>±55.0PSF</b>	<b>NONE</b>
<small>THIS SYSTEM WAS NOT TESTED FOR WATER INFILTRATION AND IS TO BE INSTALLED ONLY WHERE WATER RESISTANCE IS NOT REQUIRED</small>	

DESIGN PRESSURE RATING	IMPACT RATING
<b>+48.0/-52.0</b>	<b>NONE</b>
<small>THIS SYSTEM WAS NOT TESTED FOR WATER INFILTRATION AND IS TO BE INSTALLED ONLY WHERE WATER RESISTANCE IS NOT REQUIRED</small>	

WITH FIBERGLASS SLAB

35 3/4" x 95" PANEL SIZE SHOWN. OTHER SIZES ARE APPROVED AS LONG AS INDIVIDUAL PANEL AREA DOES NOT EXCEED 23.58 FT<sup>2</sup>

HARDWARE SCHEDULE
A. F-SERIES ASSEMBLY DOOR KNOB BY SCHLAGE.
B. B-SERIES DEADBOLT ASSEMBLY BY SCHLAGE
C. F-SERIES DEADBOLT ASSEMBLY BY SCHLAGE
D. EMTEK RESIDENTIAL GRADE DOOR HANDLE ASSEMBLY (ALTERNATE)
E. TRILLENIUM MULTI-POINT LOCK HANDLE ASSEMBLY (ALTERNATE)
F. INSWING HURRICANE ASTRAGAL BY ENDURA
G. (3) 4" X 4" BALL BEARING HINGES BY PENROD
H. (3) 4" X 4" SPRING BOMMER HINGES BY PENROD (ALTERNATE)

- NOTES;
- HINGES ARE LOCATED AT 10", 50" AND 89" FROM TOP CORNER.
  - APPROVED CONFIGURATIONS MAY BE RIGHT OR LEFT HAND.
  - MAXIMUM PANEL SIZE 35 3/4" X 95".
  - MAXIMUM D.L.O. 20 3/8" X 78 1/2".
  - JAMBS ARE ASSEMBLED TO HEAD FRAME WITH (3) #8X3" WOOD SCREWS AT EACH JAMB.
  - JAMBS ARE ASSEMBLED TO THRESHOLD WITH (3) #6X1-1/2" WOOD SCREWS AT EACH JAMB.

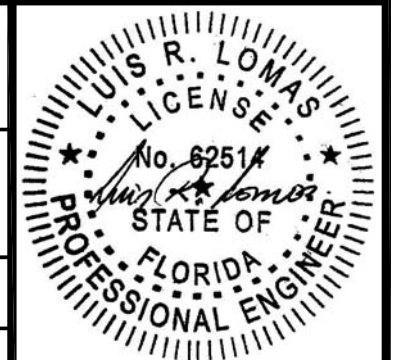
**PROVIA, LLC.**  
 2150 STATE ROUTE 39 WEST  
 SUGARCREEK, OH 44681

STEEL/FIBERGLASS INSWING GLAZED DOOR  
 SINGLE & DOUBLE NON-IMPACT  
 ELEVATIONS

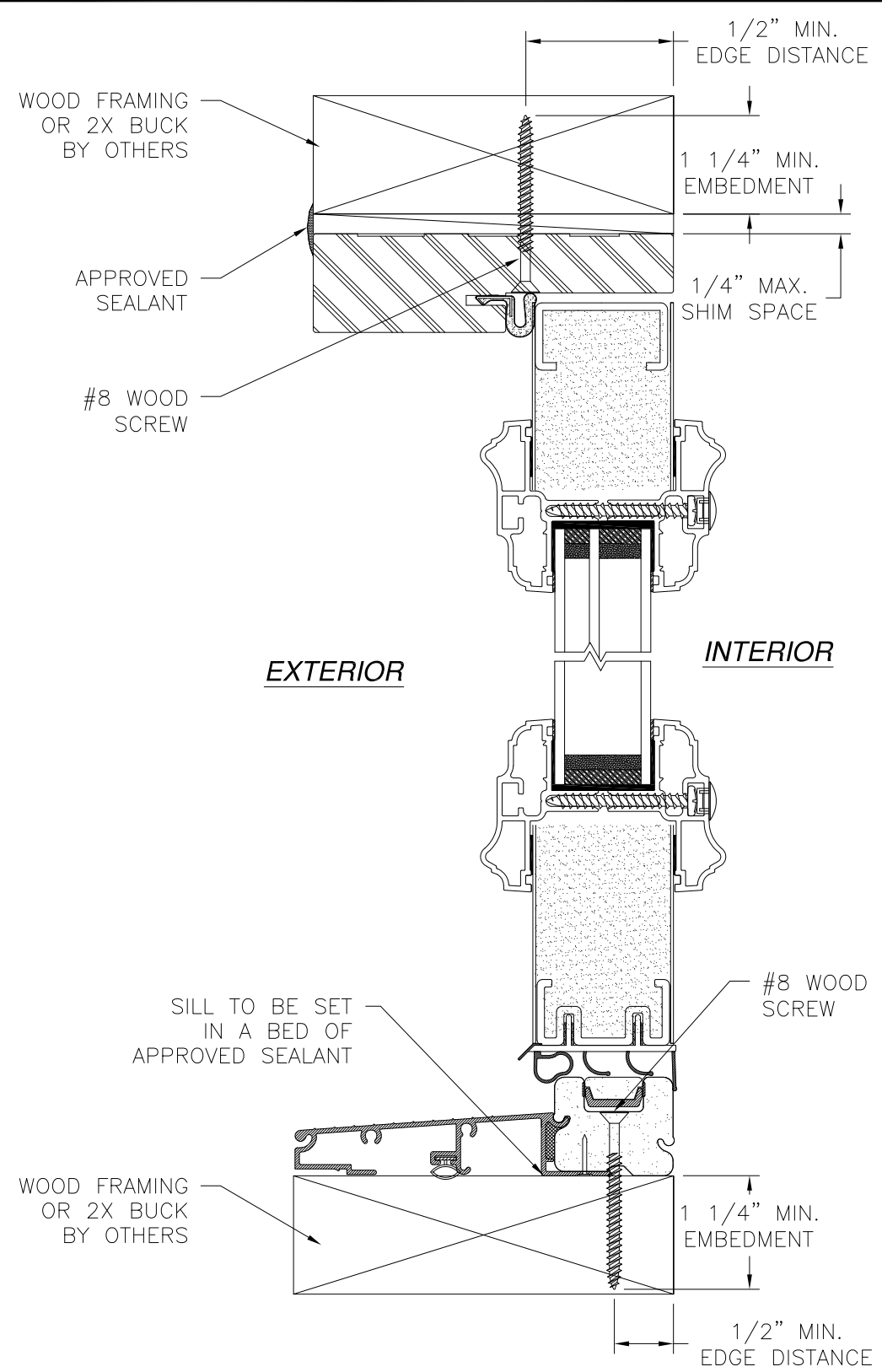
DRAWN: N.G.	DWG NO. 08-02066	REV J
SCALE NTS	DATE 06/18/13	SHEET 2 OF 11

L. ROBERTO LOMAS P.E.  
 1432 WOODFORD RD LEWISVILLE, NC 27023  
 434-688-0609 rllomas@rlomaspe.com

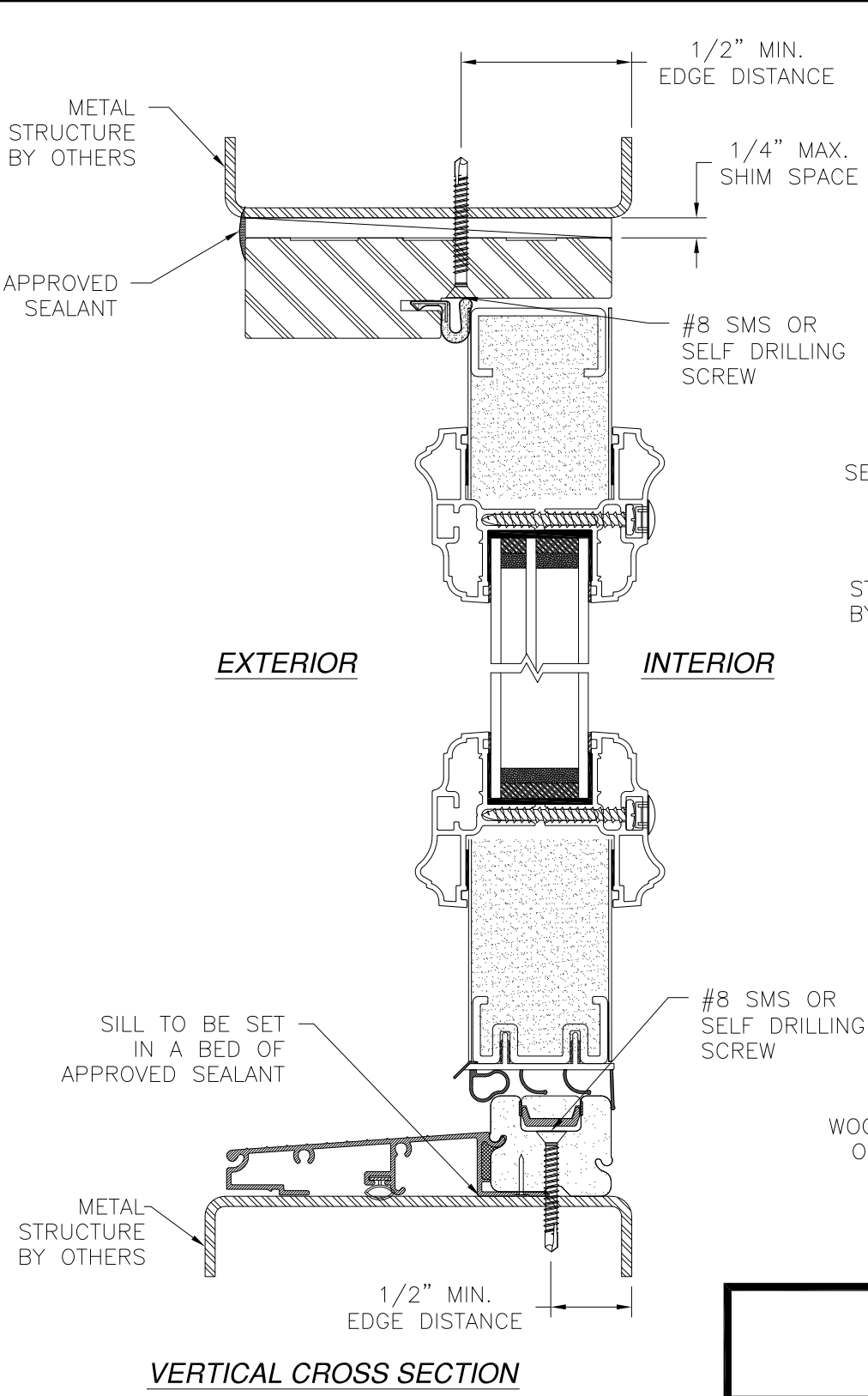
SIGNED: 08/26/2021



Luis R. Lomas P.E.  
 FL No.: 62514

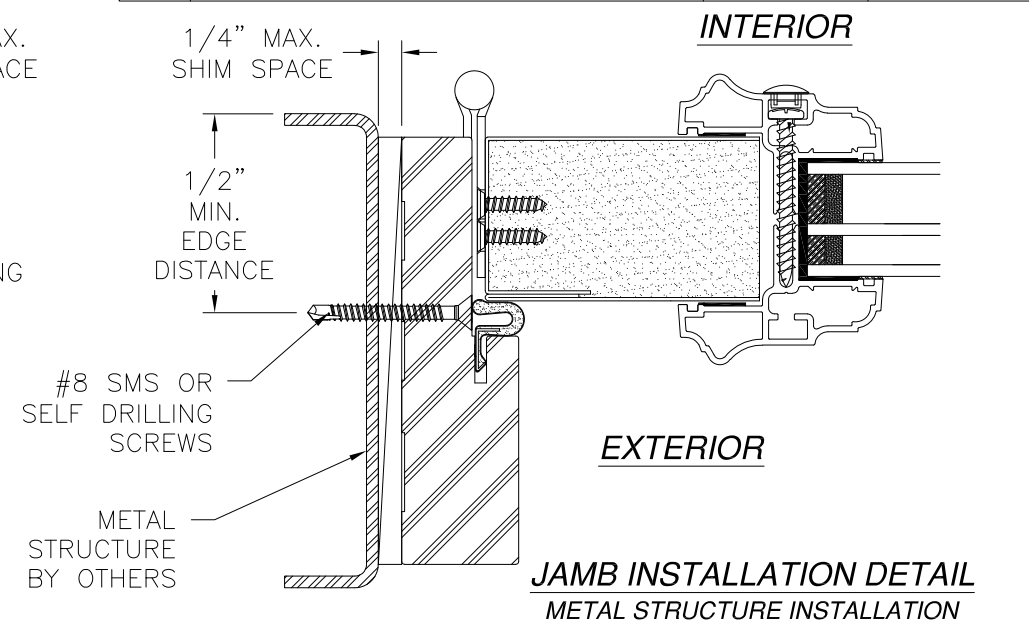


**VERTICAL CROSS SECTION**  
WOOD FRAMING OR 2X BUCK INSTALLATION

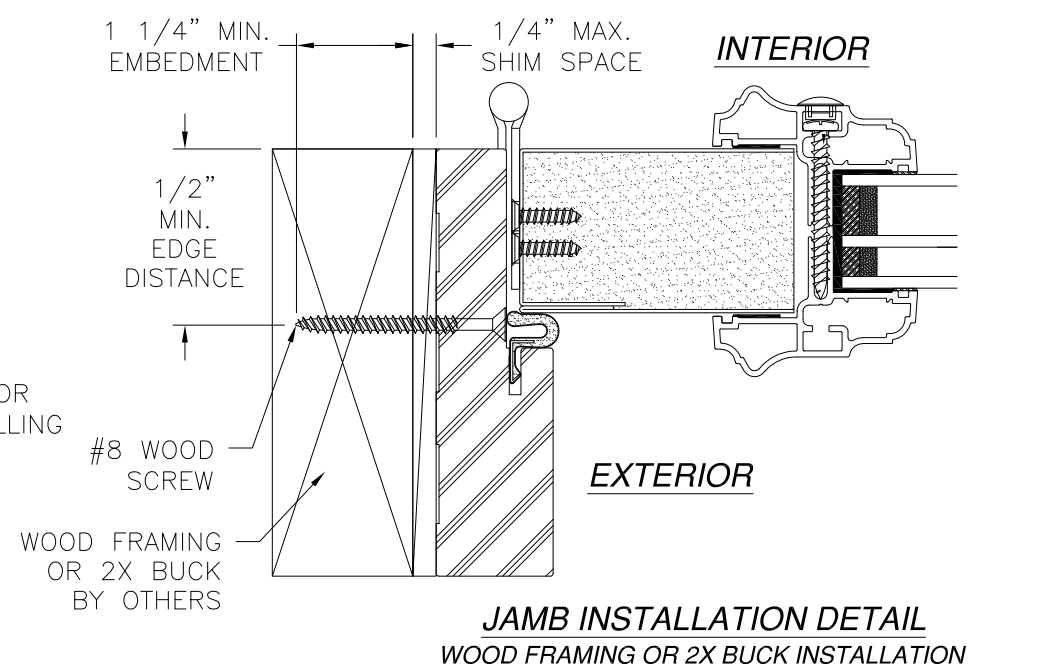


**VERTICAL CROSS SECTION**  
METAL STRUCTURE INSTALLATION

REVISIONS			
REV	DESCRIPTION	DATE	APPROVED
J	ADDED GLAZED FIR TRIMS	08/26/2021	R.L.



**JAMB INSTALLATION DETAIL**  
METAL STRUCTURE INSTALLATION



**JAMB INSTALLATION DETAIL**  
WOOD FRAMING OR 2X BUCK INSTALLATION

SIGNED: 08/26/2021

- NOTES:**
1. INTERIOR AND EXTERIOR FINISHES, BY OTHERS, NOT SHOWN FOR CLARITY.
  2. PERIMETER AND JOINT SEALANT BY OTHERS TO BE DESIGNED IN ACCORDANCE WITH ASTM E2112

**PROVIA, LLC.**  
2150 STATE ROUTE 39 WEST  
SUGARCREEK, OH 44681

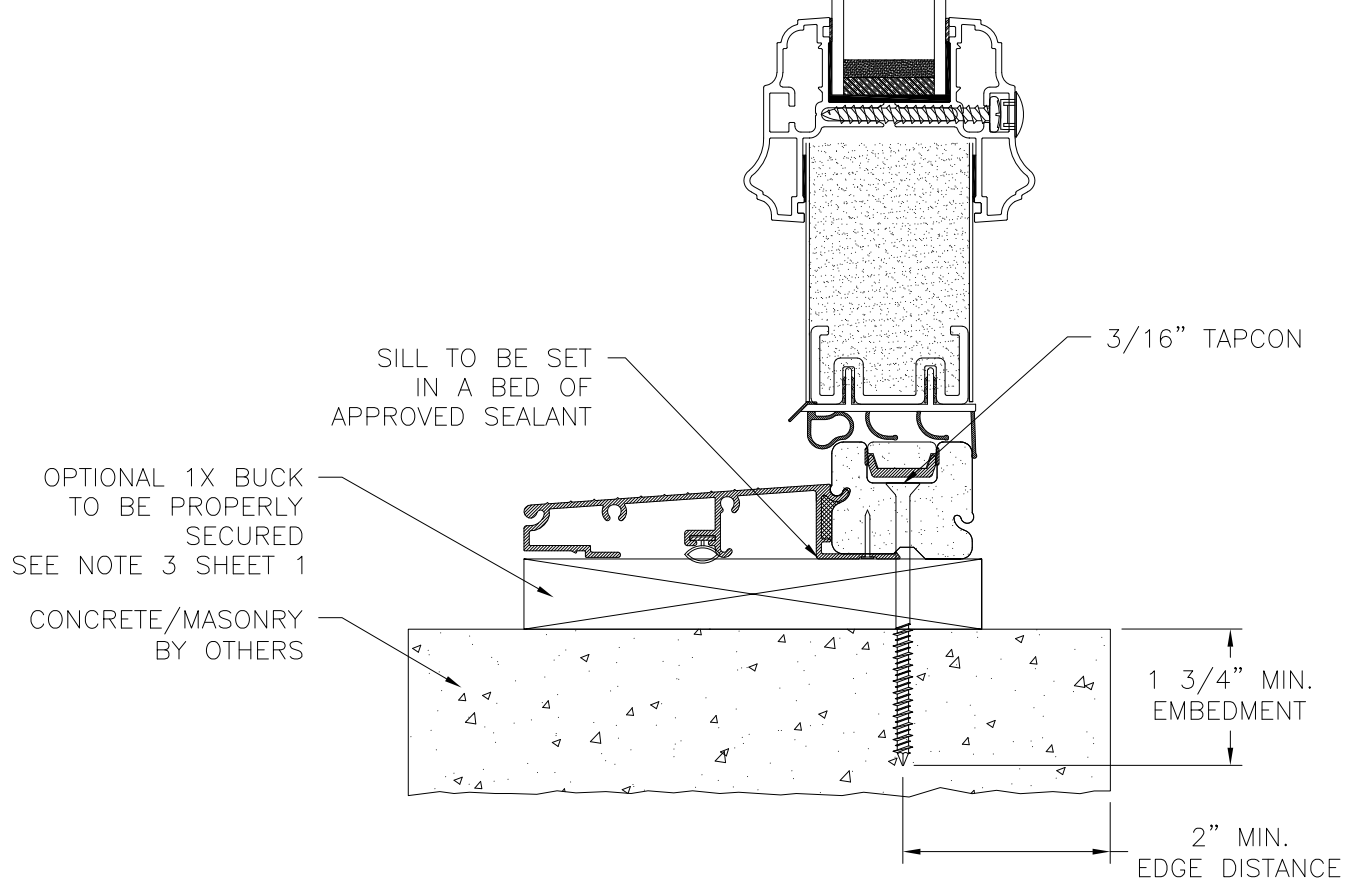
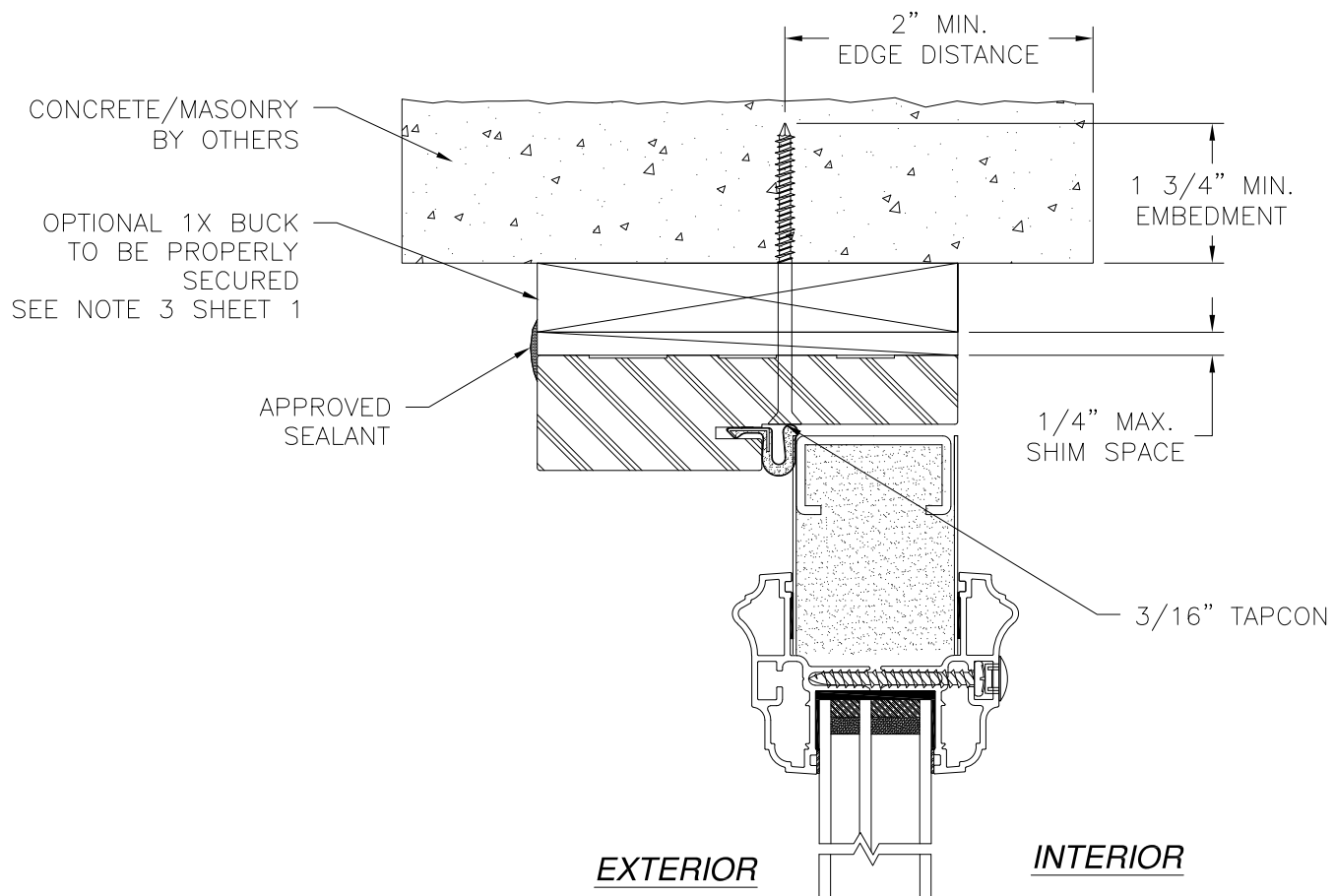
STEEL/FIBERGLASS INSWING GLAZED DOOR  
SINGLE & DOUBLE NON-IMPACT  
INSTALLATION DETAILS

DRAWN: N.G.	DWG NO. 08-02066	REV J
SCALE NTS	DATE 06/18/13	SHEET 3 OF 11

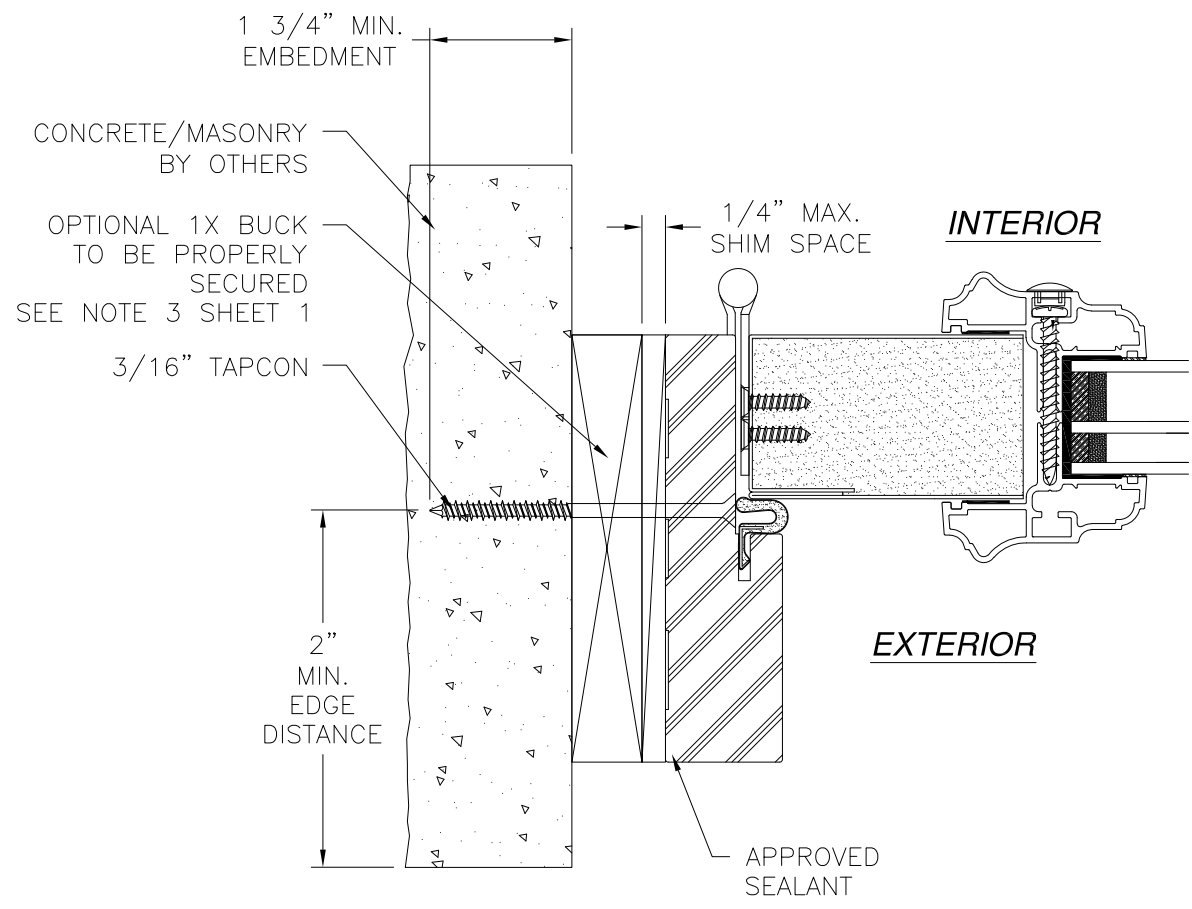
L. ROBERTO LOMAS P.E.  
1432 WOODFORD RD LEWISVILLE, NC 27023  
434-688-0609 rllomas@rlomaspe.com

Luis R. Lomas P.E.  
FL No.: 62514

REVISIONS			
REV	DESCRIPTION	DATE	APPROVED
J	ADDED GLAZED FIR TRIMS	08/26/2021	R.L.



**VERTICAL CROSS SECTION**  
CONCRETE/MASONRY INSTALLATION



**JAMB INSTALLATION DETAIL**  
CONCRETE/MASONRY INSTALLATION

- NOTES:**
1. INTERIOR AND EXTERIOR FINISHES, BY OTHERS, NOT SHOWN FOR CLARITY.
  2. PERIMETER AND JOINT SEALANT BY OTHERS TO BE DESIGNED IN ACCORDANCE WITH ASTM E2112

SIGNED: 08/26/2021

**PROVIA, LLC.**  
2150 STATE ROUTE 39 WEST  
SUGARCREEK, OH 44681

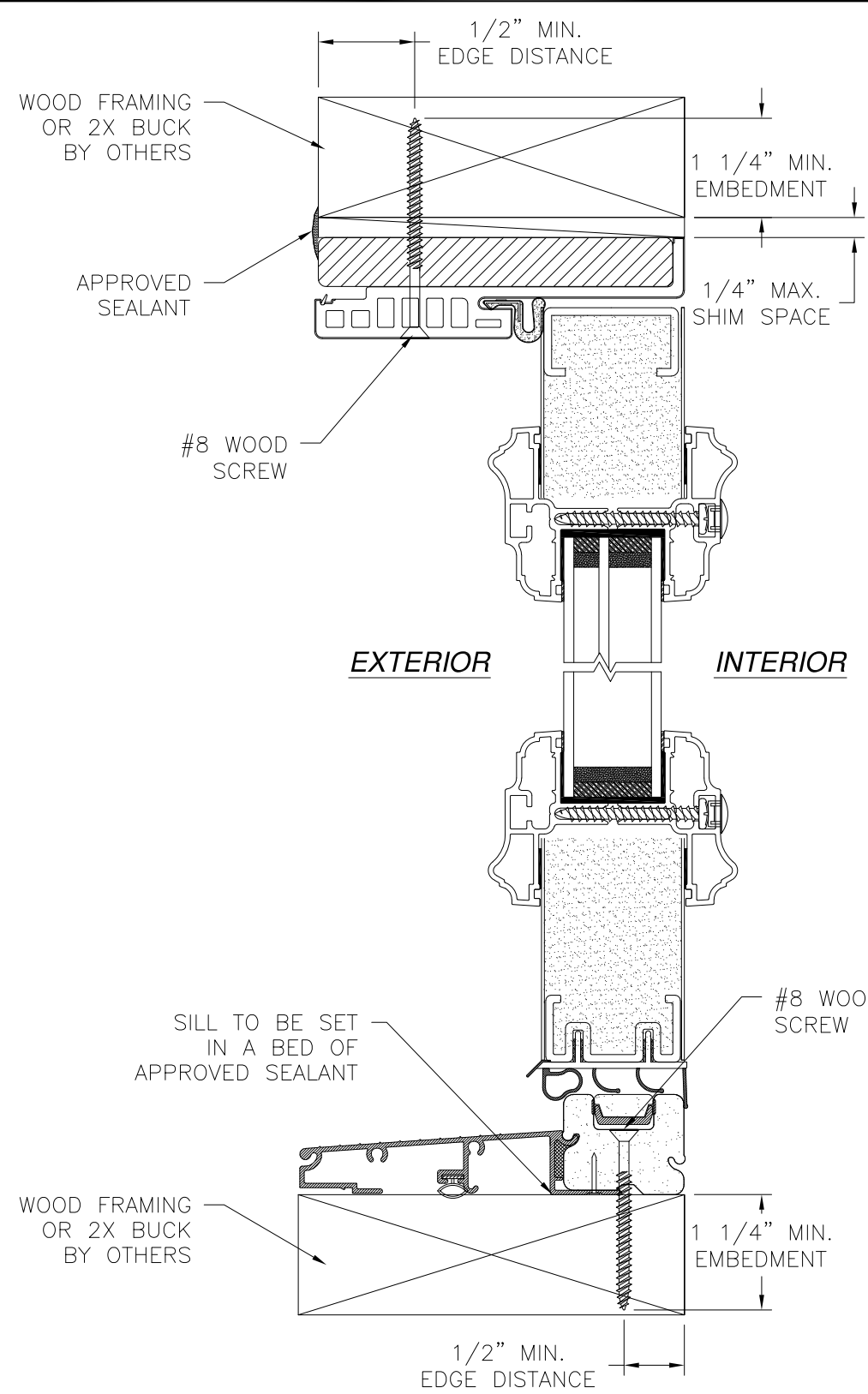
---

STEEL/FIBERGLASS INSWING GLAZED DOOR  
SINGLE & DOUBLE NON-IMPACT  
INSTALLATION DETAILS

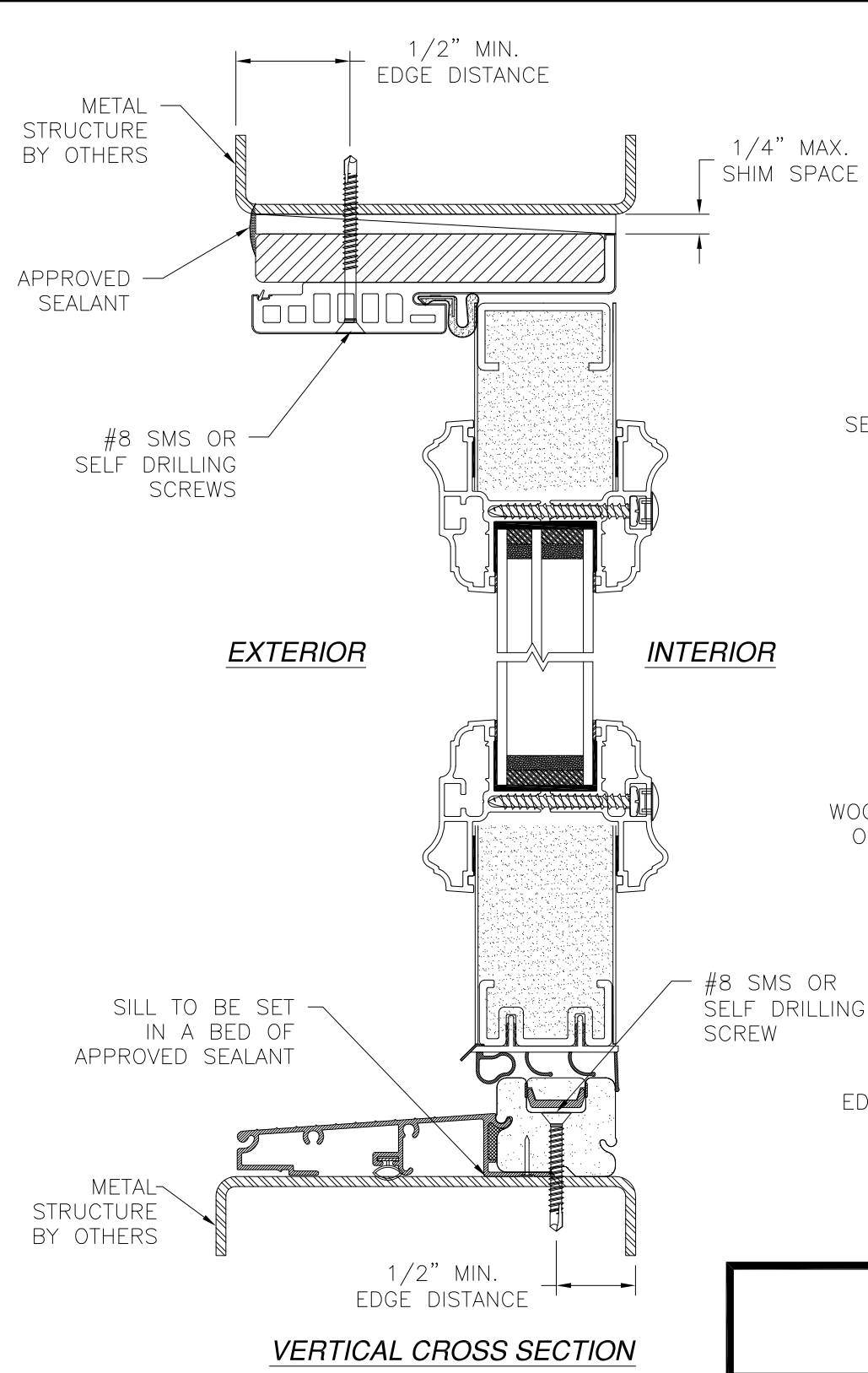
DRAWN: N.G.	DWG NO. 08-02066	REV J
SCALE NTS	DATE 06/18/13	SHEET 4 OF 11

L. ROBERTO LOMAS P.E.  
1432 WOODFORD RD LEWISVILLE, NC 27023  
434-688-0609 rllomas@rlomaspe.com

Luis R. Lomas P.E.  
FL No.: 62514



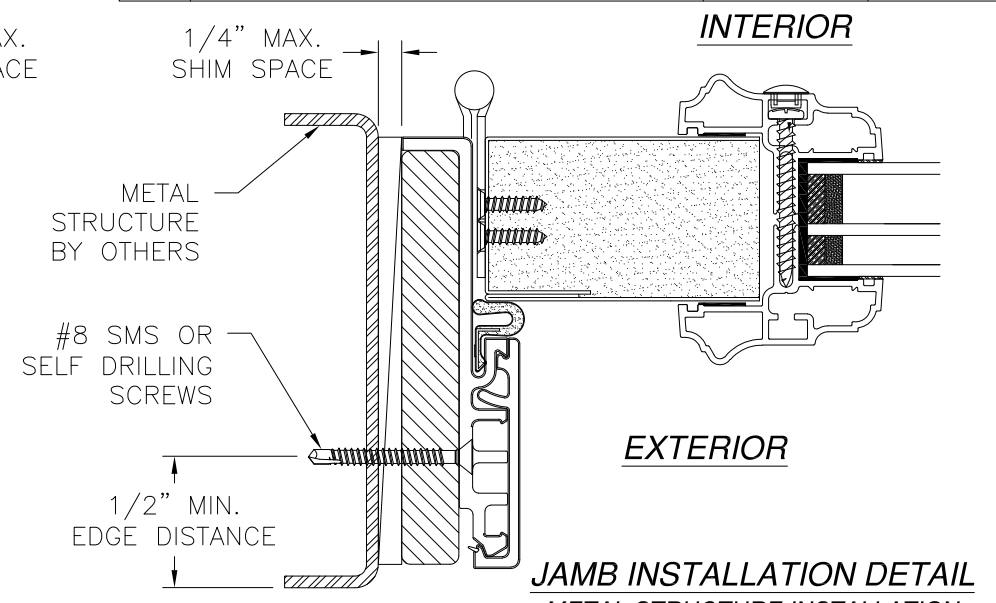
**VERTICAL CROSS SECTION**  
WOOD FRAMING OR 2X BUCK INSTALLATION



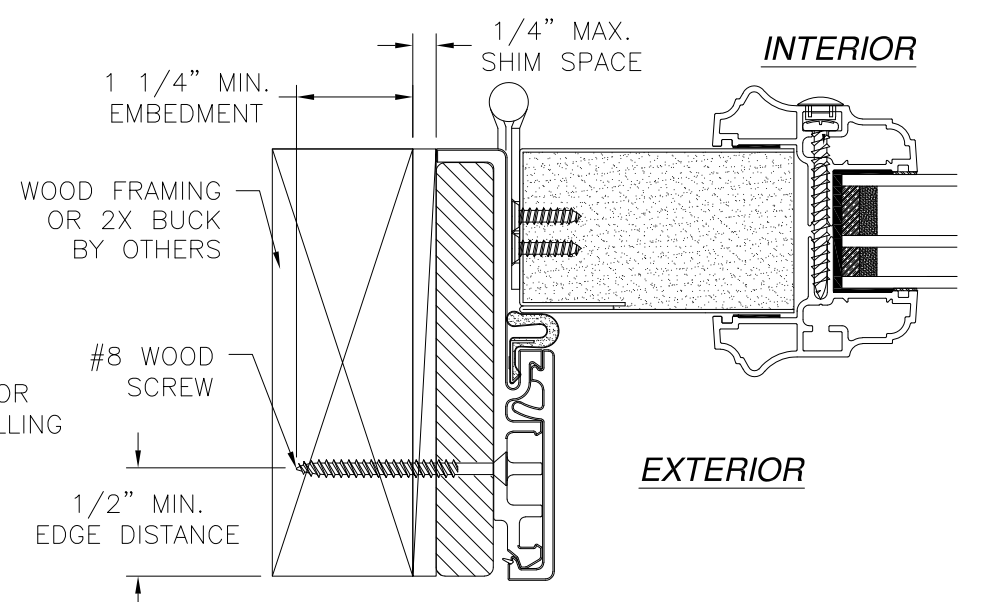
**VERTICAL CROSS SECTION**  
METAL STRUCTURE INSTALLATION

- NOTES:**
1. INTERIOR AND EXTERIOR FINISHES, BY OTHERS, NOT SHOWN FOR CLARITY.
  2. PERIMETER AND JOINT SEALANT BY OTHERS TO BE DESIGNED IN ACCORDANCE WITH ASTM E2112

REVISIONS			
REV	DESCRIPTION	DATE	APPROVED
J	ADDED GLAZED FIR TRIMS	08/26/2021	R.L.



**JAMB INSTALLATION DETAIL**  
METAL STRUCTURE INSTALLATION



**JAMB INSTALLATION DETAIL**  
WOOD FRAMING OR 2X BUCK INSTALLATION

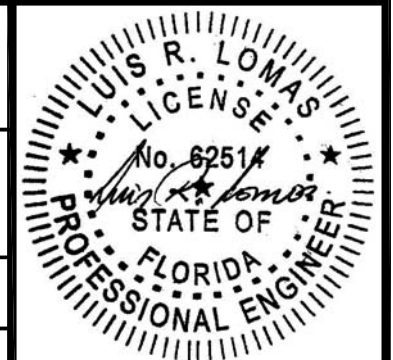
SIGNED: 08/26/2021

**PROVIA, LLC.**  
2150 STATE ROUTE 39 WEST  
SUGARCREEK, OH 44681

STEEL/FIBERGLASS INSWING GLAZED DOOR  
SINGLE & DOUBLE NON-IMPACT  
INSTALLATION DETAILS W/FUSION FRAME

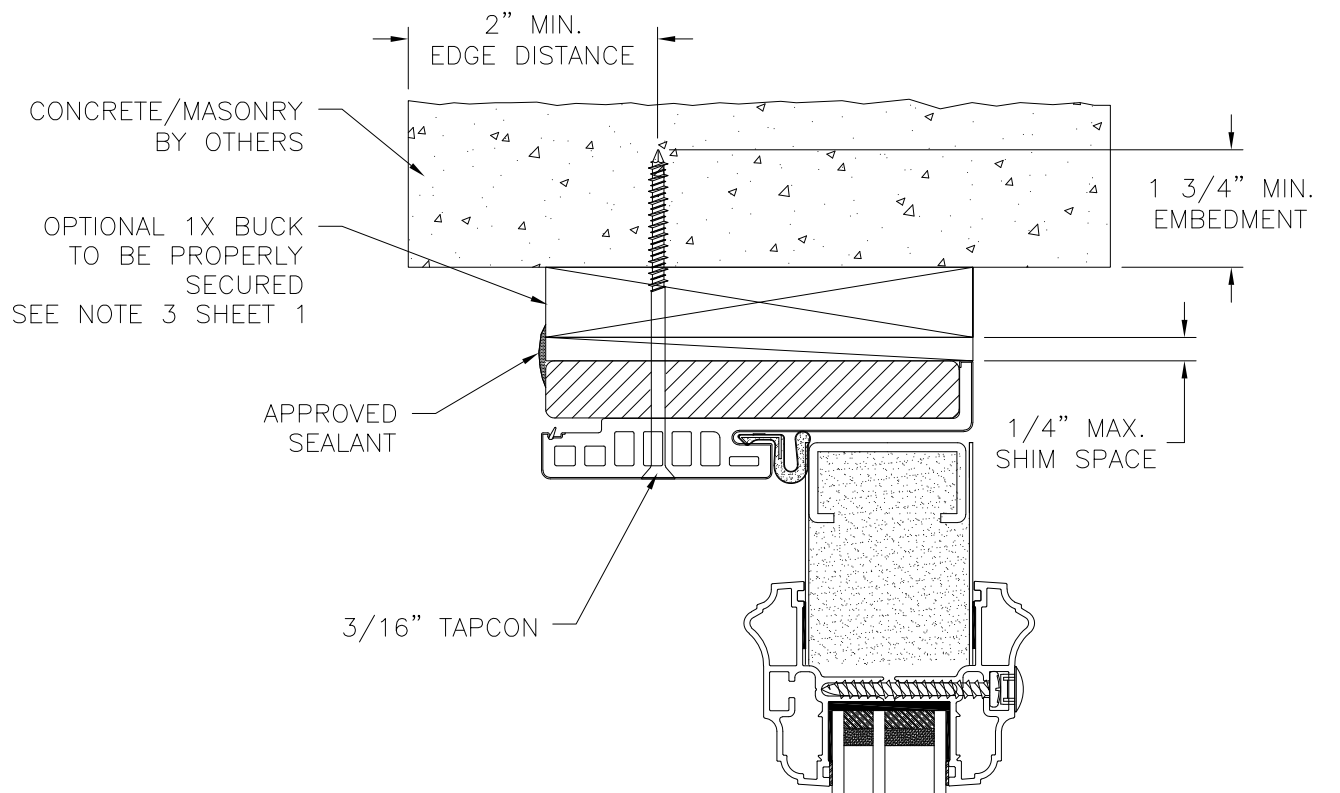
DRAWN: N.G.	DWG NO. 08-02066	REV J
SCALE NTS	DATE 06/18/13	SHEET 5 OF 11

L. ROBERTO LOMAS P.E.  
1432 WOODFORD RD LEWISVILLE, NC 27023  
434-688-0609 rllomas@rlomaspe.com

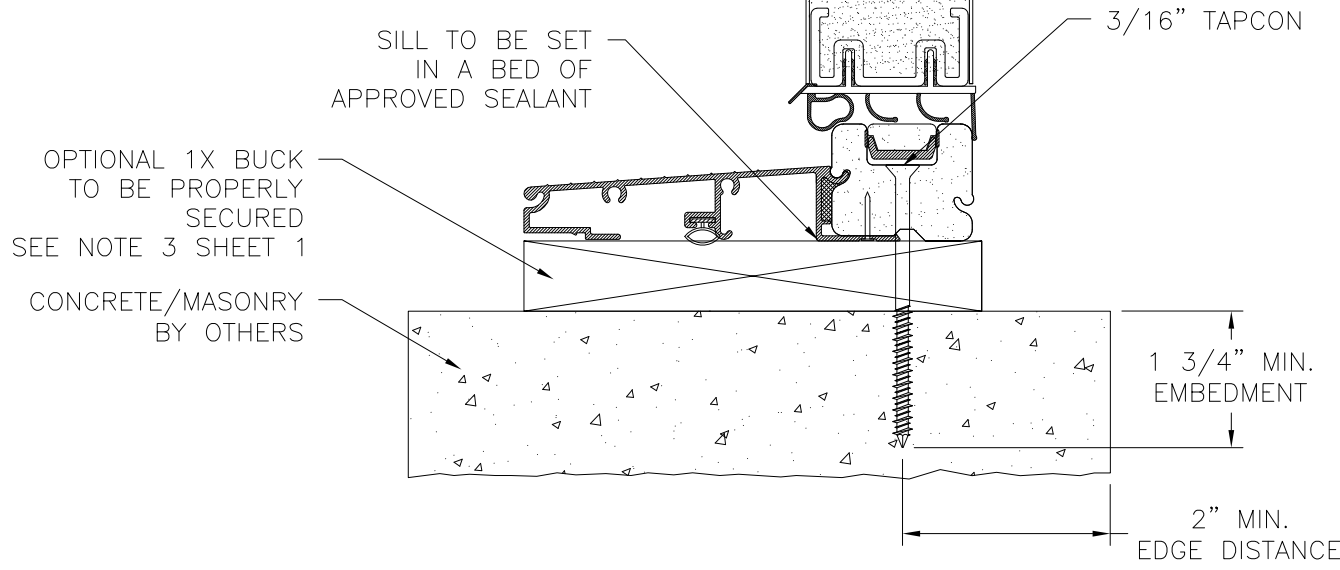


Luis R. Lomas P.E.  
FL No.: 62514

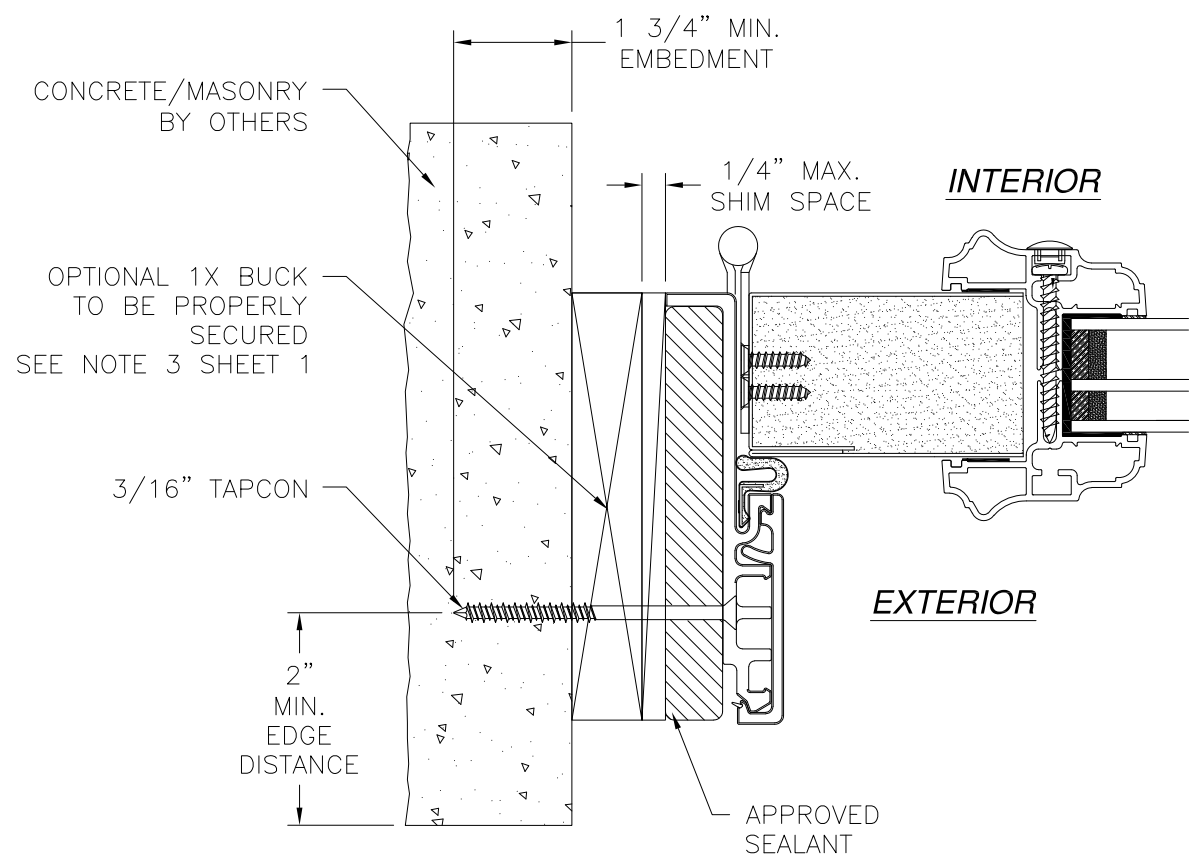
REVISIONS			
REV	DESCRIPTION	DATE	APPROVED
J	ADDED GLAZED FIR TRIMS	08/26/2021	R.L.



**EXTERIOR** **INTERIOR**



**VERTICAL CROSS SECTION  
CONCRETE/MASONRY INSTALLATION**



**JAMB INSTALLATION DETAIL  
CONCRETE/MASONRY INSTALLATION**

- NOTES:**
1. INTERIOR AND EXTERIOR FINISHES, BY OTHERS, NOT SHOWN FOR CLARITY.
  2. PERIMETER AND JOINT SEALANT BY OTHERS TO BE DESIGNED IN ACCORDANCE WITH ASTM E2112

SIGNED: 08/26/2021

**PROVIA, LLC.**  
2150 STATE ROUTE 39 WEST  
SUGARCREEK, OH 44681

---

STEEL/FIBERGLASS INSWING GLAZED DOOR  
SINGLE & DOUBLE NON-IMPACT  
INSTALLATION DETAILS W/FUSION FRAME

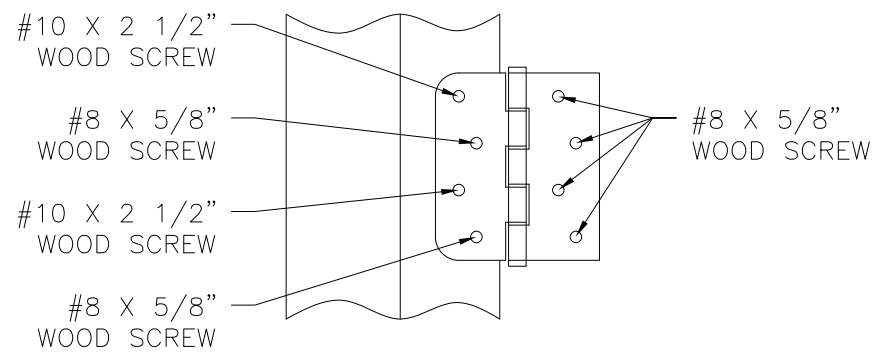
DRAWN: N.G.	DWG NO. 08-02066	REV J
SCALE NTS	DATE 06/18/13	SHEET 6 OF 11

L. ROBERTO LOMAS P.E.  
1432 WOODFORD RD LEWISVILLE, NC 27023  
434-688-0609 rllomas@rlomaspe.com

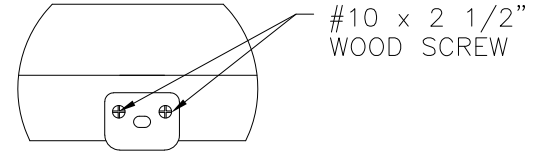


Luis R. Lomas P.E.  
FL No.: 62514

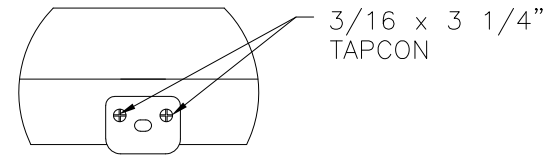
REVISIONS			
REV	DESCRIPTION	DATE	APPROVED
J	ADDED GLAZED FIR TRIMS	08/26/2021	R.L.



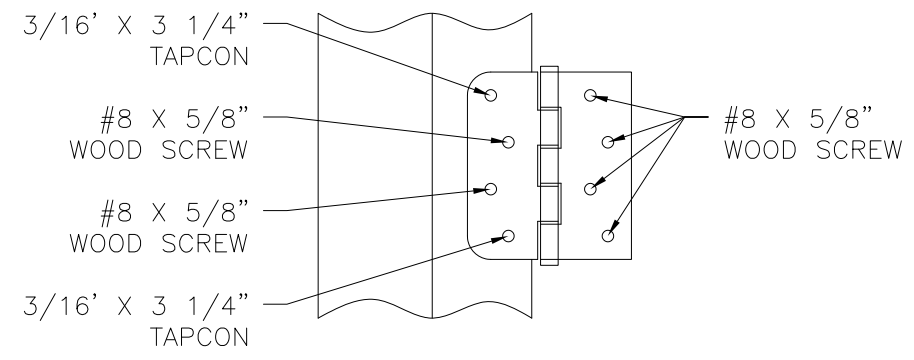
**HINGE INSTALLATION DETAIL**  
2X BUCK/WOOD FRAMING



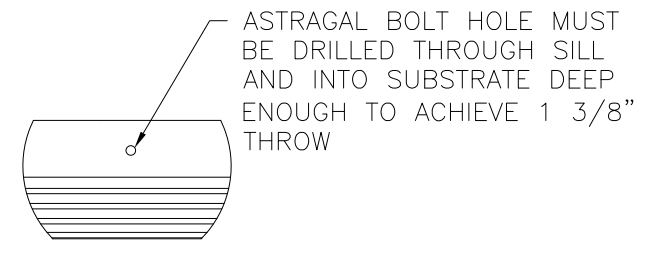
**ASTRAGAL HEAD STRIKE DETAIL**  
2X BUCK/WOOD FRAMING



**ASTRAGAL HEAD STRIKE DETAIL**  
MASONRY/CONCRETE

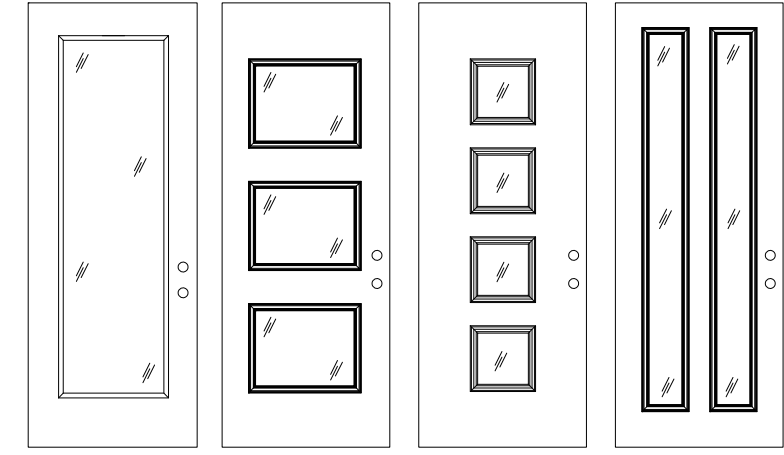


**HINGE INSTALLATION DETAIL**  
MASONRY/CONCRETE



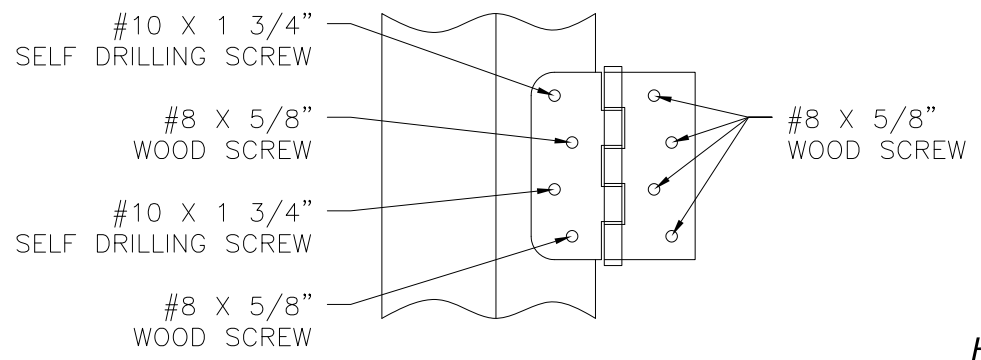
**ASTRAGAL SILL DETAIL**

**APPROVED LITE CONFIGURATIONS**

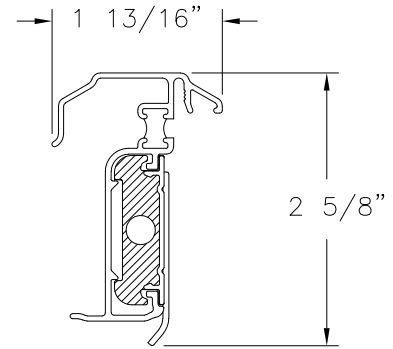


**FULL LITE    3 LITE    4 LITE    2 LITE**

LITE CONFIGURATIONS SHOWN ARE FOR REFERENCE ONLY. MULTIPLE LITE CONFIGURATIONS ARE APPROVED AS LONG AS LITE SIZE DOES NOT EXCEED 11.5 FT<sup>2</sup>



**HINGE INSTALLATION DETAIL**  
METAL STRUCTURE



**HURRICANE ASTRAGAL DETAIL**

SIGNED: 08/26/2021

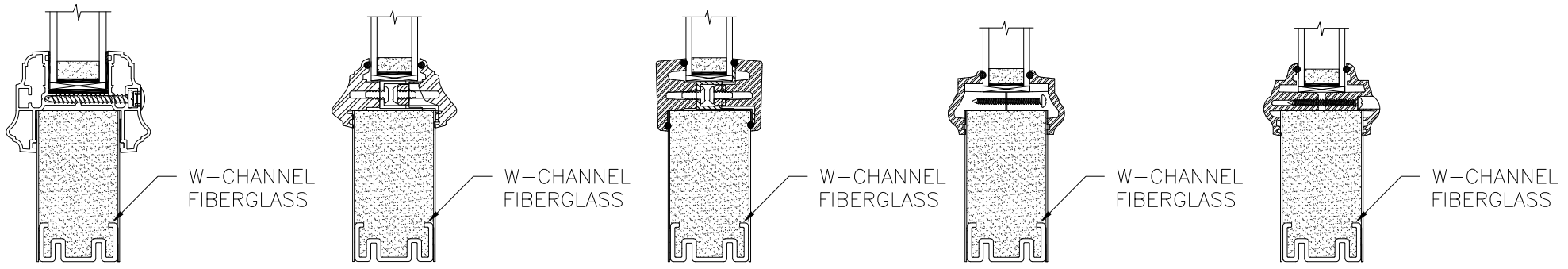
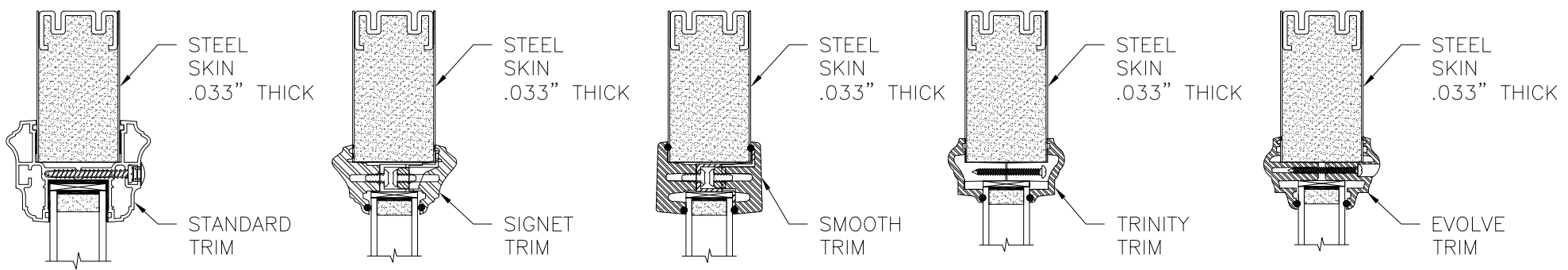
**PROVIA, LLC.**  
2150 STATE ROUTE 39 WEST  
SUGARCREEK, OH 44681

STEEL/FIBERGLASS INSWING GLAZED DOOR  
SINGLE & DOUBLE NON-IMPACT  
INSTALLATION DETAILS AND COMPONENTS

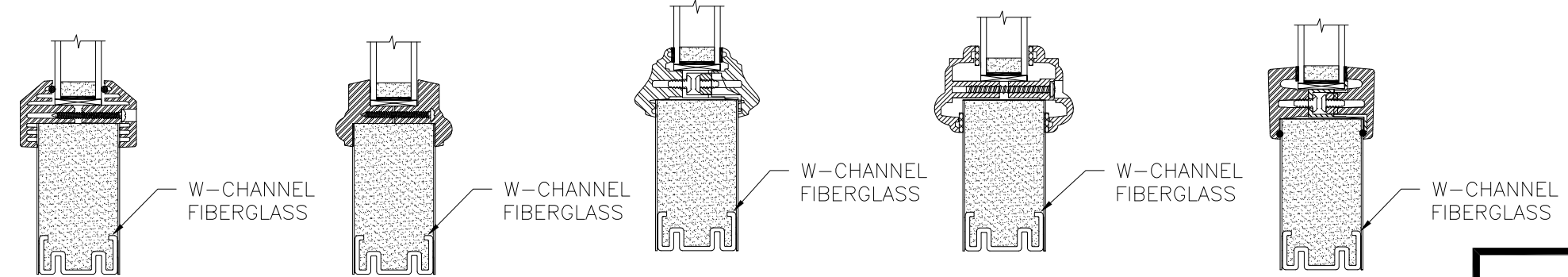
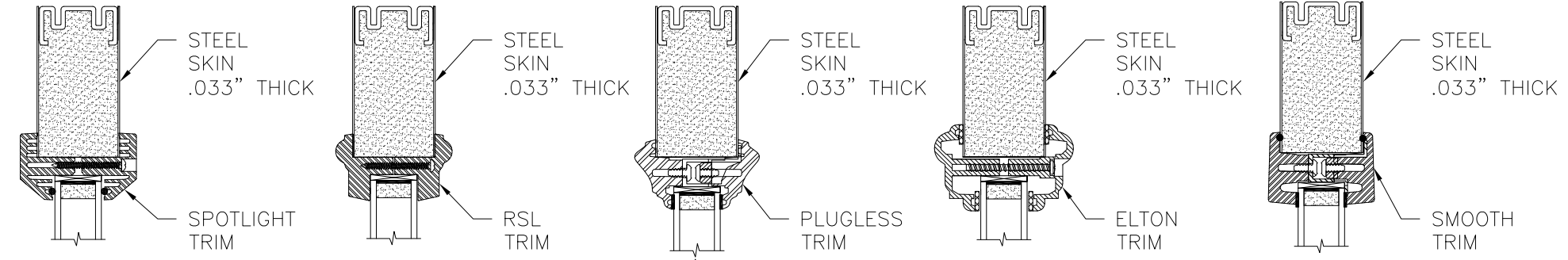
DRAWN: N.G.	DWG NO. 08-02066	REV J
SCALE NTS	DATE 06/18/13	SHEET 7 OF 11

L. ROBERTO LOMAS P.E.  
1432 WOODFORD RD LEWISVILLE, NC 27023  
434-688-0609 rllomas@rlomaspe.com

Luis R. Lomas P.E.  
FL No.: 62514

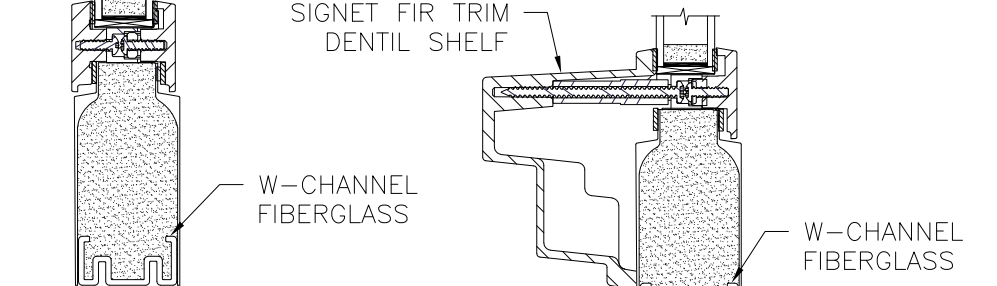
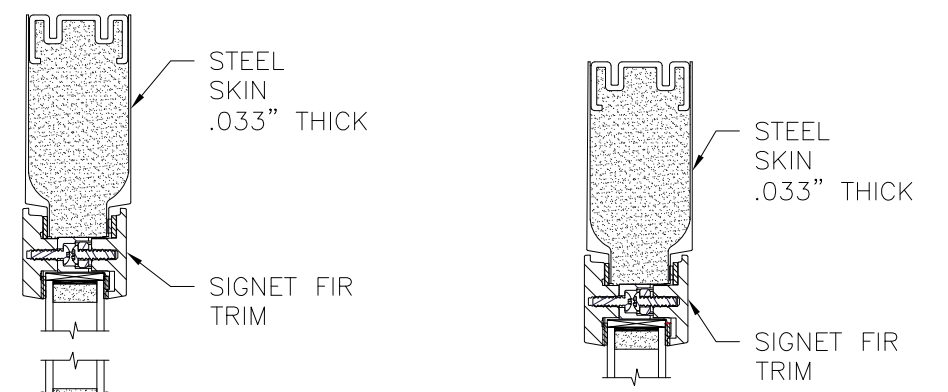


**OPTION 1** STANDARD TRIM  
**OPTION 2** SIGNET TRIM  
**OPTION 3** SMOOTH TRIM  
**OPTION 4** TRINITY TRIM  
**OPTION 5** EVOLVE TRIM



**OPTION 6** SPOTLIGHT TRIM  
**OPTION 7** RSL TRIM  
**OPTION 8** PLUGLESS TRIM W/TAPE  
**OPTION 9** ELTON TRIM  
**OPTION 10** SMOOTH TRIM W/TAPE

REVISIONS			
REV	DESCRIPTION	DATE	APPROVED
J	ADDED GLAZED FIR TRIMS	08/26/2021	R.L.



**OPTION 11** SIGNET FIR TRIM  
**OPTION 12** SIGNET FIR & DENTIL SHELF TRIM

**APPROVED SLABS AND TRIMS**

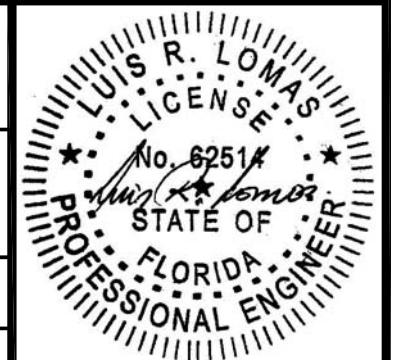
PROVIA, LLC.  
 2150 STATE ROUTE 39 WEST  
 SUGARCREEK, OH 44681

STEEL/FIBERGLASS INSWING GLAZED DOOR  
 SINGLE & DOUBLE NON-IMPACT  
 APPROVED SLABS AND TRIMS

DRAWN: N.G.	DWG NO. 08-02066	REV J
SCALE NTS	DATE 06/18/13	SHEET 9 OF 11

L. ROBERTO LOMAS P.E.  
 1432 WOODFORD RD LEWISVILLE, NC 27023  
 434-688-0609 rllomas@rlomaspe.com

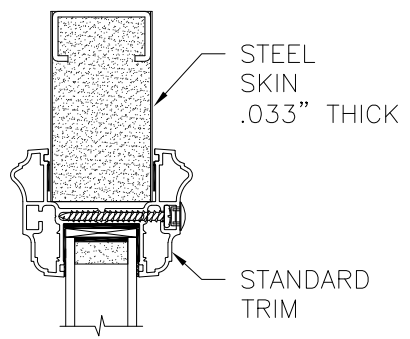
SIGNED: 08/26/2021



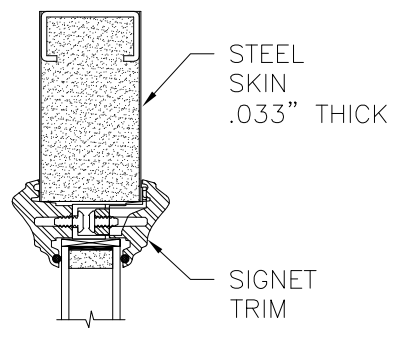
Luis R. Lomas P.E.  
 FL No.: 62514



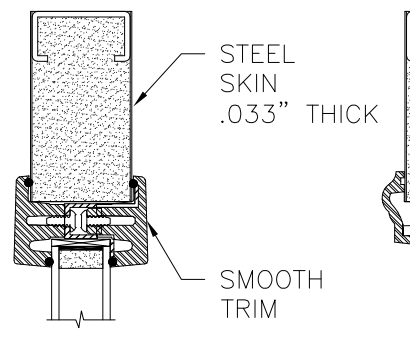
REVISIONS			
REV	DESCRIPTION	DATE	APPROVED
J	ADDED GLAZED FIR TRIMS	08/26/2021	R.L.



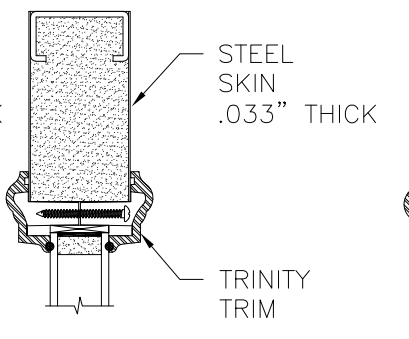
**OPTION 13**  
STANDARD TRIM



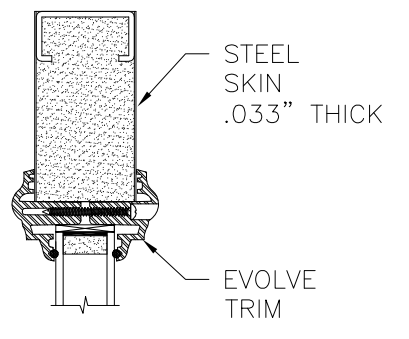
**OPTION 14**  
SIGNET TRIM



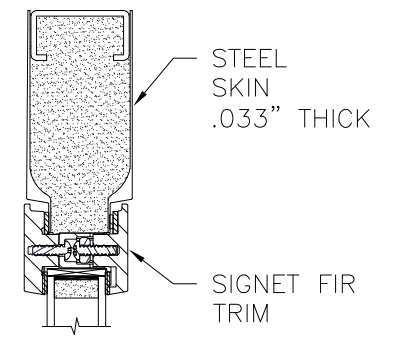
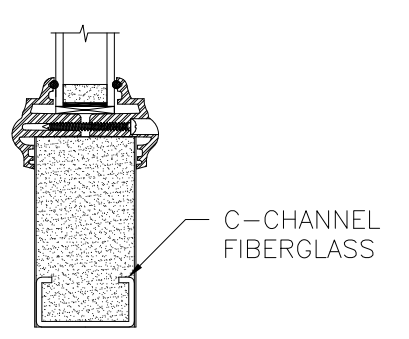
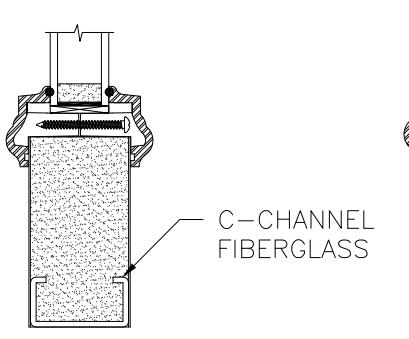
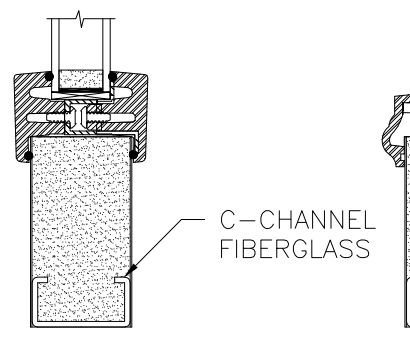
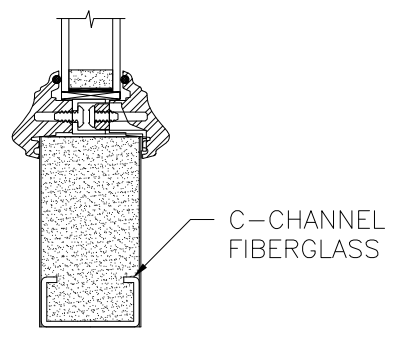
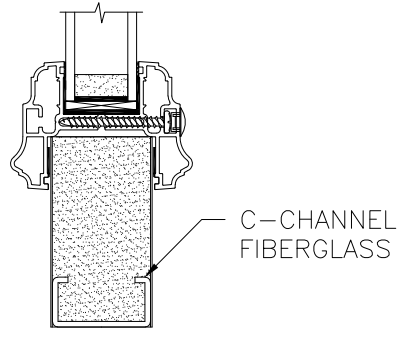
**OPTION 15**  
SMOOTH TRIM



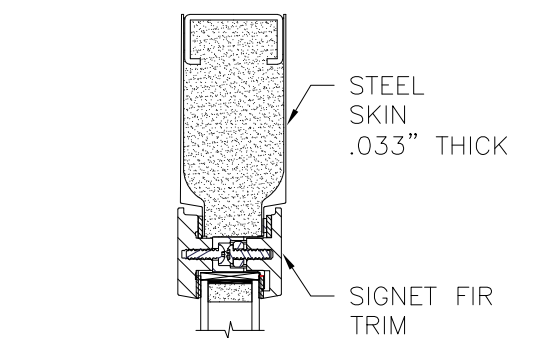
**OPTION 16**  
TRINITY TRIM



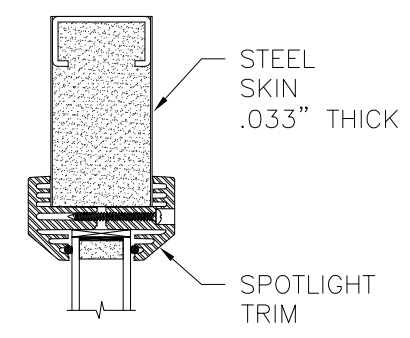
**OPTION 17**  
EVOLVE TRIM



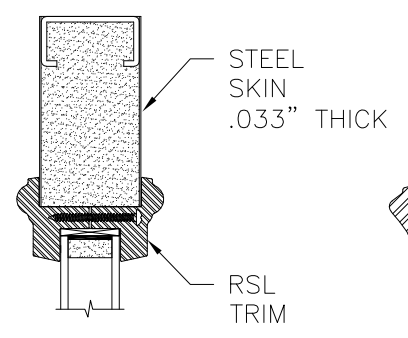
**OPTION 23**  
SIGNET FIR TRIM



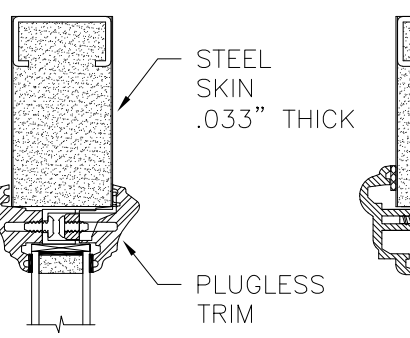
**OPTION 24**  
SIGNET FIR &  
DENTIL SHELF TRIM



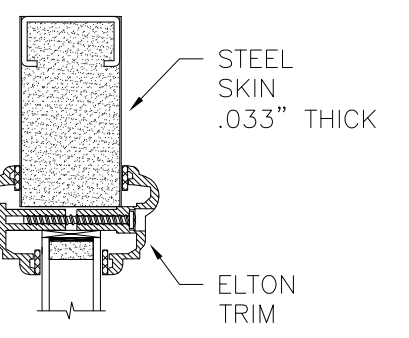
**OPTION 18**  
SPOTLIGHT TRIM



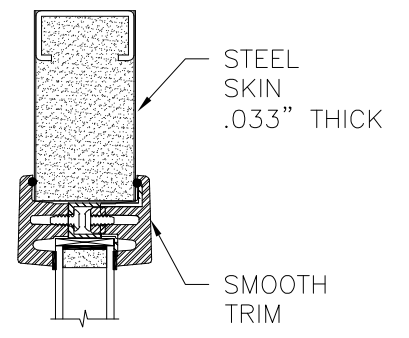
**OPTION 19**  
RSL TRIM



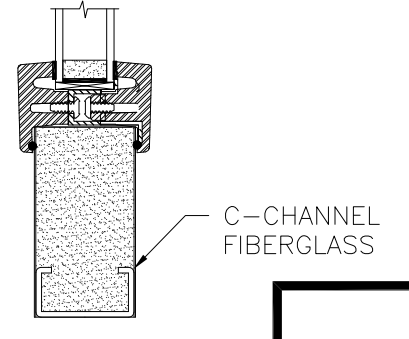
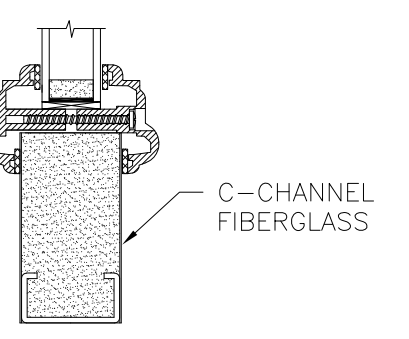
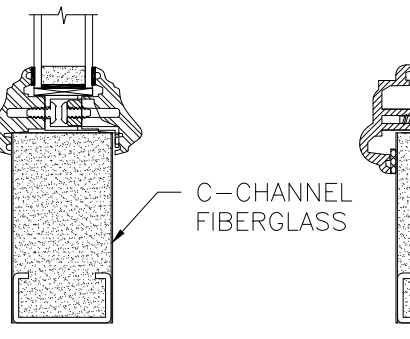
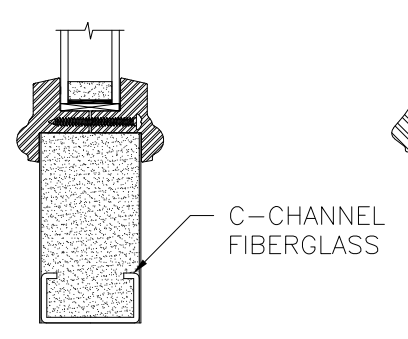
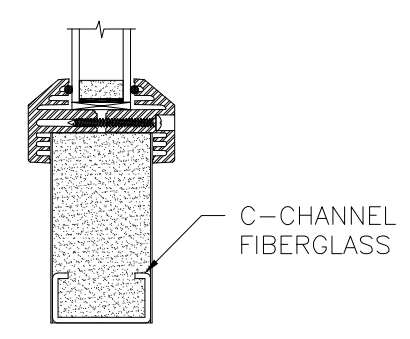
**OPTION 20**  
PLUGLESS TRIM  
W/TAPE



**OPTION 21**  
ELTON TRIM



**OPTION 22**  
SMOOTH TRIM  
W/TAPE



**APPROVED SLABS AND TRIMS**

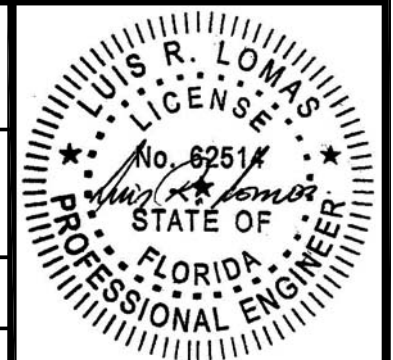
PROVIA, LLC.  
2150 STATE ROUTE 39 WEST  
SUGARCREEK, OH 44681

STEEL/FIBERGLASS INSWING GLAZED DOOR  
SINGLE & DOUBLE NON-IMPACT  
APPROVED SLABS AND TRIMS

DRAWN: N.G.	DWG NO. 08-02066	REV J
SCALE NTS	DATE 06/18/13	SHEET 8 OF 11

L. ROBERTO LOMAS P.E.  
1432 WOODFORD RD LEWISVILLE, NC 27023  
434-688-0609 rllomas@rlomaspe.com

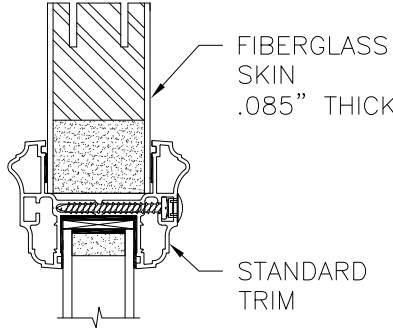
SIGNED: 08/26/2021



Luis R. Lomas P.E.  
FL No.: 62514



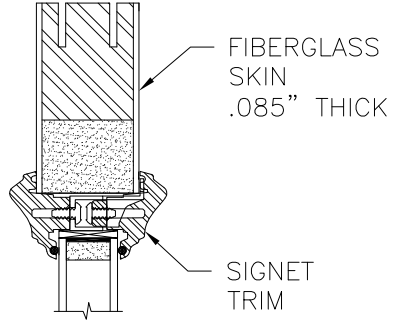
REVISIONS			
REV	DESCRIPTION	DATE	APPROVED
J	ADDED GLAZED FIR TRIMS	08/26/2021	R.L.



FIBERGLASS SKIN  
.085" THICK

STANDARD TRIM

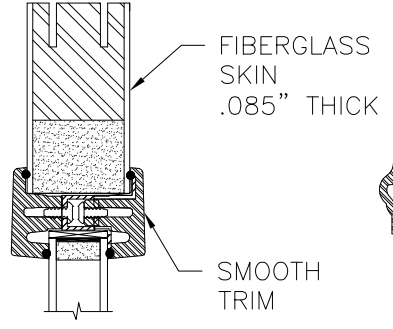
**OPTION 25**  
STANDARD TRIM



FIBERGLASS SKIN  
.085" THICK

SIGNET TRIM

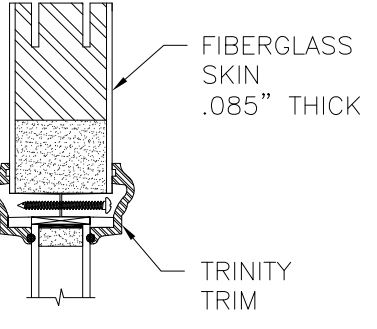
**OPTION 26**  
SIGNET TRIM



FIBERGLASS SKIN  
.085" THICK

SMOOTH TRIM

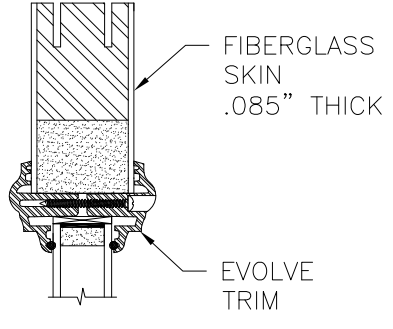
**OPTION 27**  
SMOOTH TRIM



FIBERGLASS SKIN  
.085" THICK

TRINITY TRIM

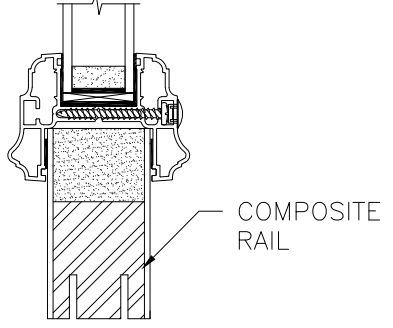
**OPTION 28**  
TRINITY TRIM



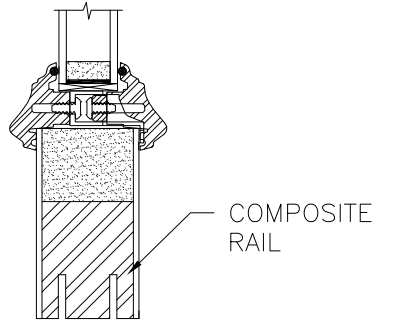
FIBERGLASS SKIN  
.085" THICK

EVOLVE TRIM

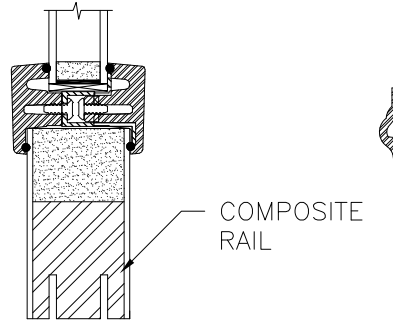
**OPTION 29**  
EVOLVE TRIM



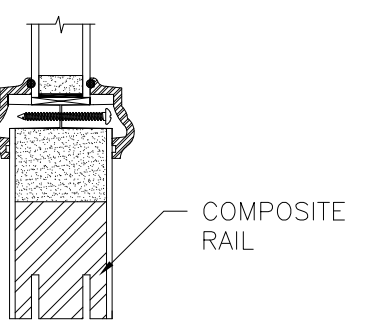
COMPOSITE RAIL



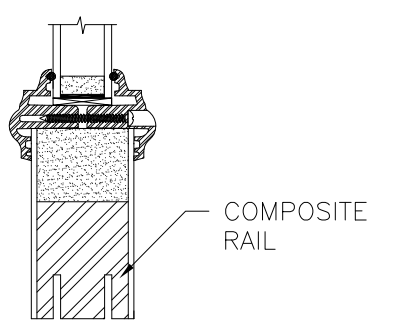
COMPOSITE RAIL



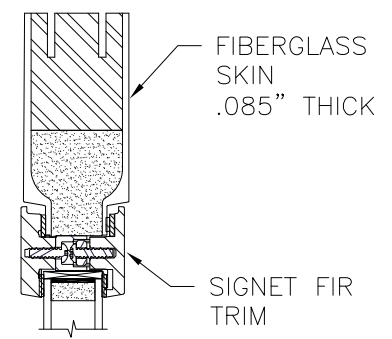
COMPOSITE RAIL



COMPOSITE RAIL



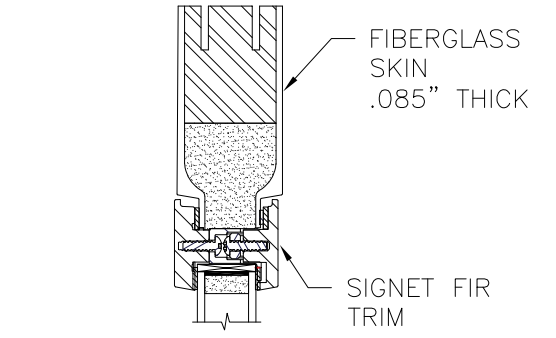
COMPOSITE RAIL



FIBERGLASS SKIN  
.085" THICK

SIGNET FIR TRIM

**OPTION 35**  
SIGNET FIR TRIM



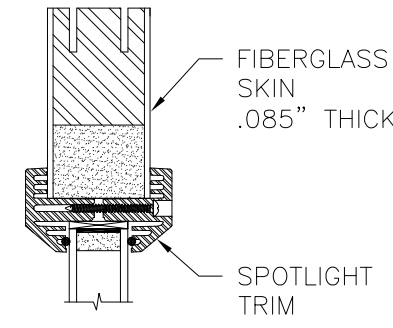
FIBERGLASS SKIN  
.085" THICK

SIGNET FIR TRIM

SIGNET FIR TRIM  
DENTIL SHELF

COMPOSITE RAIL

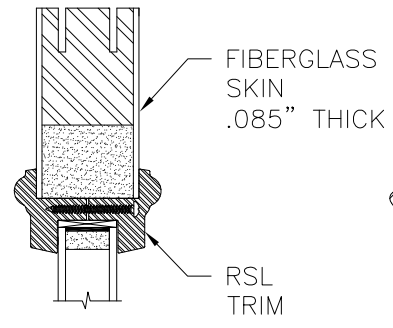
**OPTION 36**  
SIGNET FIR &  
DENTIL SHELF TRIM



FIBERGLASS SKIN  
.085" THICK

SPOTLIGHT TRIM

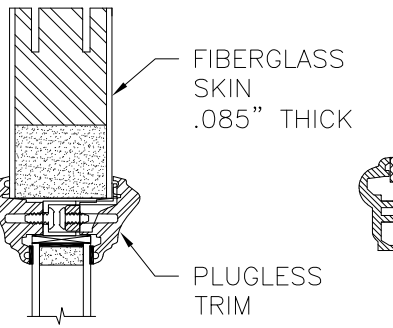
**OPTION 30**  
SPOTLIGHT TRIM



FIBERGLASS SKIN  
.085" THICK

RSL TRIM

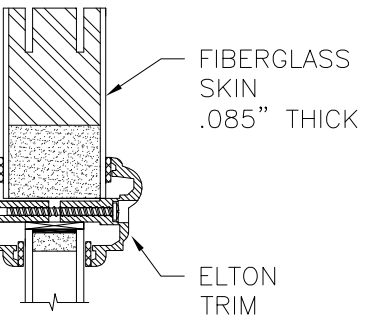
**OPTION 31**  
RSL TRIM



FIBERGLASS SKIN  
.085" THICK

PLUGLESS TRIM

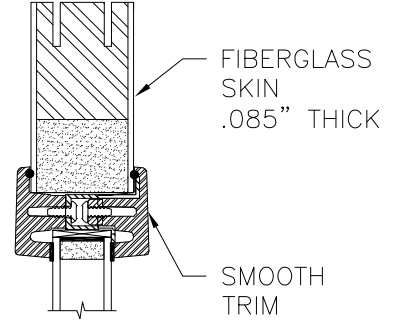
**OPTION 32**  
PLUGLESS TRIM  
W/TAPE



FIBERGLASS SKIN  
.085" THICK

ELTON TRIM

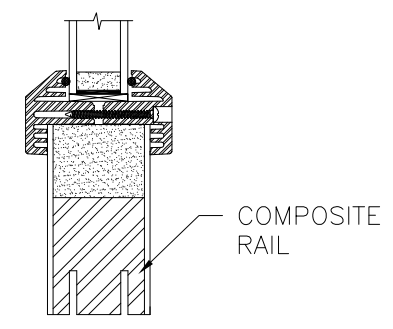
**OPTION 33**  
ELTON TRIM



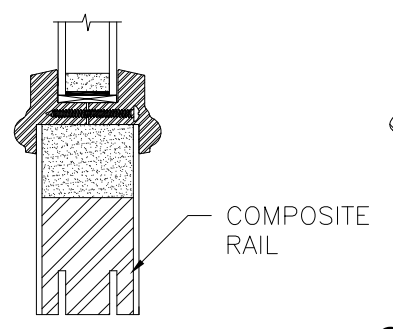
FIBERGLASS SKIN  
.085" THICK

SMOOTH TRIM

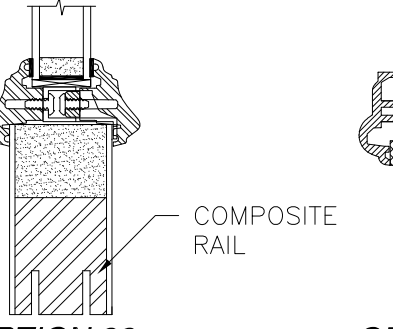
**OPTION 34**  
SMOOTH TRIM  
W/TAPE



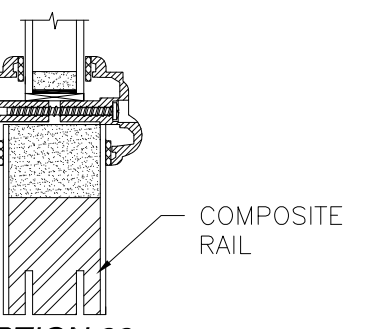
COMPOSITE RAIL



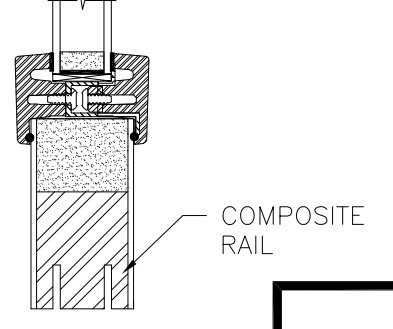
COMPOSITE RAIL



COMPOSITE RAIL



COMPOSITE RAIL



COMPOSITE RAIL

**APPROVED SLABS AND TRIMS**

SIGNED: 08/26/2021

PROVIA, LLC.  
2150 STATE ROUTE 39 WEST  
SUGARCREEK, OH 44681

STEEL/FIBERGLASS INSWING GLAZED DOOR  
SINGLE & DOUBLE NON-IMPACT  
APPROVED SLABS AND TRIMS

DRAWN: N.G.	DWG NO. 08-02066	REV J
SCALE NTS	DATE 06/18/13	SHEET 10 OF 11

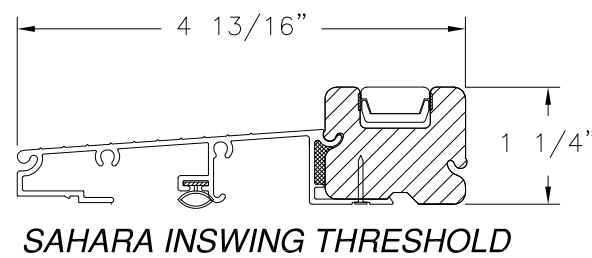
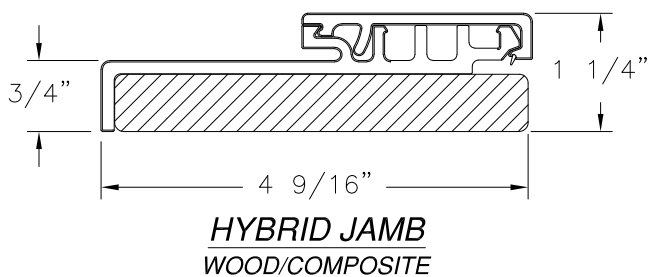
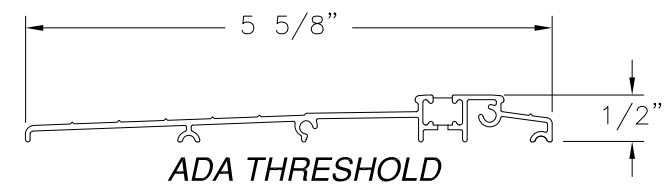
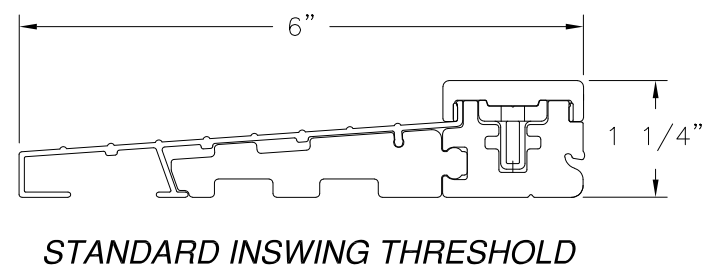
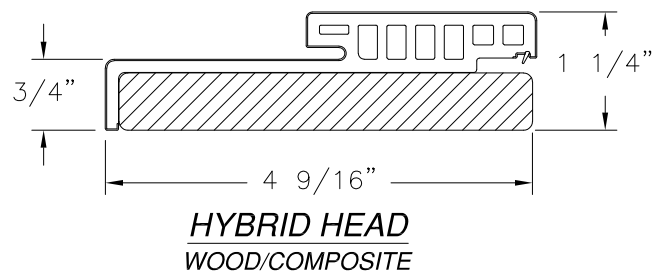
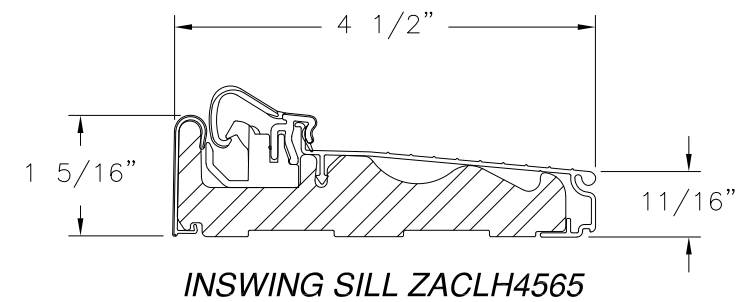
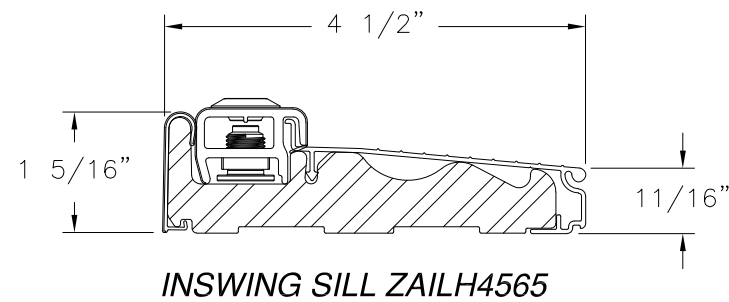
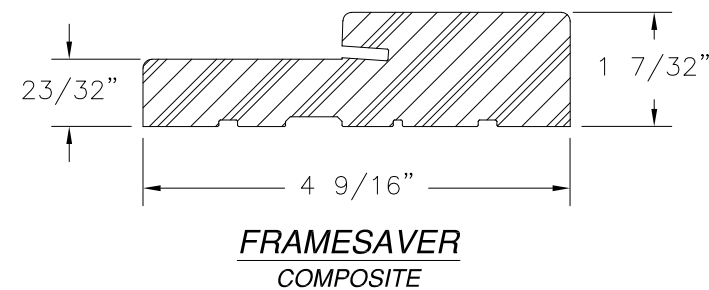
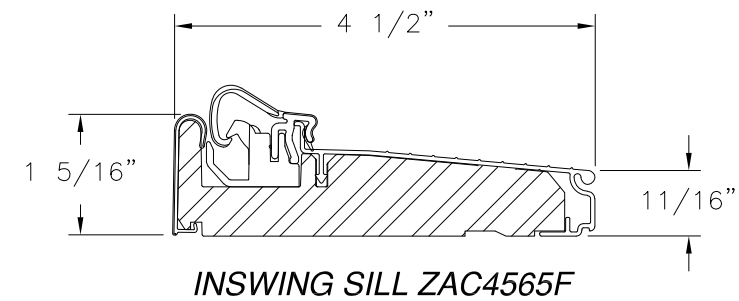
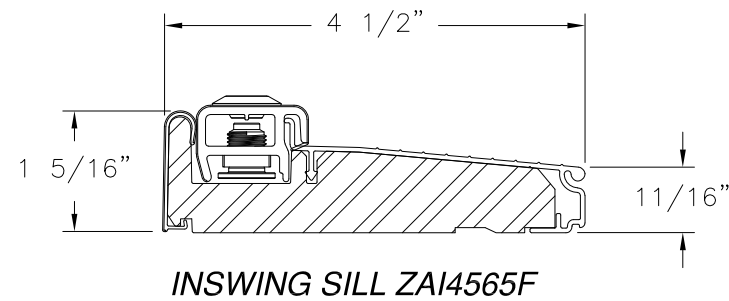
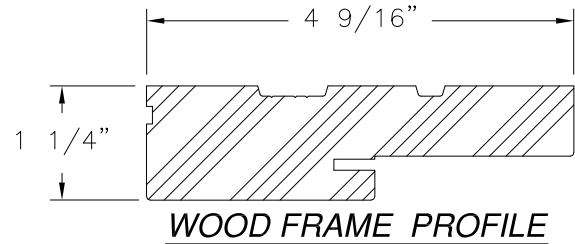
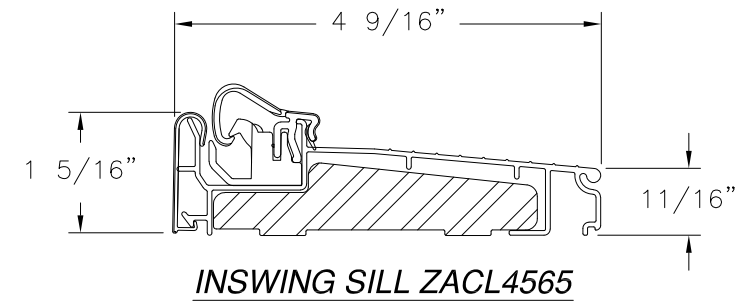
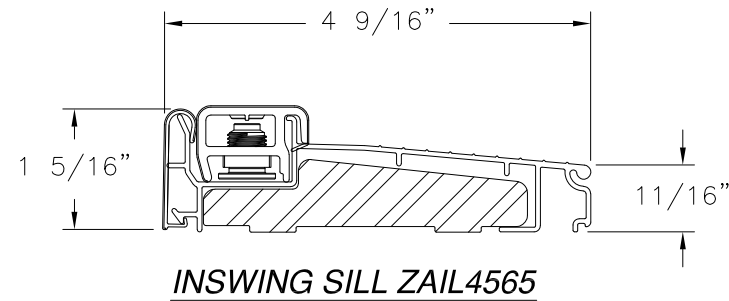
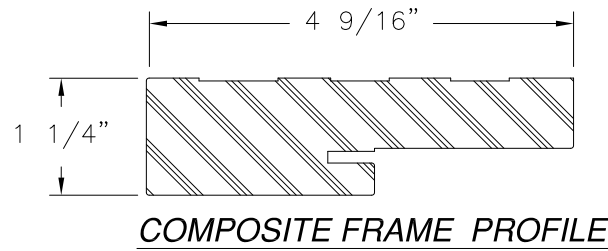
L. ROBERTO LOMAS P.E.  
1432 WOODFORD RD LEWISVILLE, NC 27023  
434-688-0609 rllomas@rlomaspe.com

PROFESSIONAL ENGINEER  
L. ROBERTO LOMAS  
No. 62514  
STATE OF FLORIDA

Luis R. Lomas P.E.  
FL No.: 62514



REVISIONS			
REV	DESCRIPTION	DATE	APPROVED
J	ADDED GLAZED FIR TRIMS	08/26/2021	R.L.



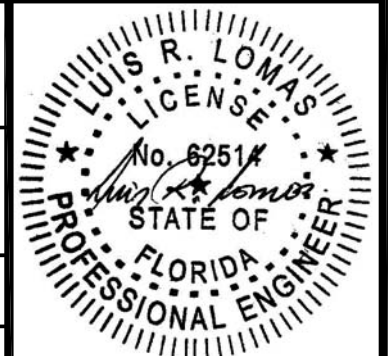
SIGNED: 08/26/2021

PROVIA, LLC.  
2150 STATE ROUTE 39 WEST  
SUGARCREEK, OH 44681

STEEL/FIBERGLASS INSWING GLAZED DOOR  
SINGLE & DOUBLE NON-IMPACT  
COMPONENTS

DRAWN: N.G.	DWG NO. 08-02066	REV J
SCALE NTS	DATE 06/18/13	SHEET 11 OF 11

L. ROBERTO LOMAS P.E.  
1432 WOODFORD RD LEWISVILLE, NC 27023  
434-688-0609 rllomas@rlomaspe.com



Luis R. Lomas P.E.  
FL No.: 62514