

| REVISIONS | | | |
|-----------|------------------------|------------|----------|
| REV | DESCRIPTION | DATE | APPROVED |
| J | ADDED GLAZED FIR TRIMS | 08/26/2021 | R.L. |

NOTES:

1. THE PRODUCT SHOWN HEREIN IS DESIGNED AND MANUFACTURED TO COMPLY WITH REQUIREMENTS OF THE FLORIDA BUILDING CODE.
2. WOOD FRAMING, METAL STRUCTURE AND MASONRY OPENING TO BE DESIGNED AND ANCHORED TO PROPERLY TRANSFER ALL LOADS TO STRUCTURE. FRAMING AND MASONRY OPENING IS THE RESPONSIBILITY OF THE ARCHITECT OR ENGINEER OF RECORD.
3. 1X BUCK OVER MASONRY/CONCRETE IS OPTIONAL. WHERE 1X BUCK IS NOT USED DISSIMILAR MATERIALS MUST BE SEPARATED WITH APPROVED COATING OR MEMBRANE. SELECTION OF COATING OR MEMBRANE IS THE RESPONSIBILITY OF THE ARCHITECT OR ENGINEER OF RECORD.
4. ALLOWABLE STRESS INCREASE OF 1/3 WAS NOT USED IN THE DESIGN OF THE PRODUCT SHOWN HEREIN. WIND LOAD DURATION FACTOR Cd=1.6 WAS USED FOR WOOD ANCHOR CALCULATIONS.
5. FRAME MATERIAL: WOOD WITH G=.46 MINIMUM SPECIFIC GRAVITY, OR COMPOSITE, OR FRAMESAVER, OR FUSION FRAME.
DOOR SKIN MATERIAL: STEEL .033" THICK (MINIMUM) AND FIBERGLASS .085" THICK (MINIMUM).
SIDELITE SKIN MATERIAL: STEEL .022" THICK (MINIMUM)
6. UNITS MUST BE GLAZED PER ASTM E1300, WITH SAFETY GLAZING.
7. APPROVED IMPACT PROTECTIVE SYSTEM IS REQUIRED FOR THIS PRODUCT IN WIND BORNE DEBRIS REGIONS.
8. SHIM AS REQUIRED AT EACH INSTALLATION ANCHOR WITH LOAD BEARING SHIM. SHIM WHERE SPACE OF 1/16" OR GREATER OCCURS. MAXIMUM ALLOWABLE SHIM STACK TO BE 1/4".
9. FOR ANCHORING INTO WOOD FRAMING OR 2X BUCK USE #10 WOOD SCREWS WITH SUFFICIENT LENGTH TO ACHIEVE A 1 3/8" MINIMUM EMBEDMENT INTO SUBSTRATE. LOCATE ANCHORS AS SHOWN IN ELEVATIONS AND INSTALLATION DETAILS.
10. FOR ANCHORING INTO MASONRY/CONCRETE USE 3/16" TAPCONS WITH SUFFICIENT LENGTH TO ACHIEVE A 1 3/4" MINIMUM EMBEDMENT INTO SUBSTRATE WITH 2" MINIMUM EDGE DISTANCE. LOCATE ANCHORS AS SHOWN IN ELEVATIONS AND INSTALLATION DETAILS.
11. FOR ANCHORING INTO METAL STRUCTURE USE #10 SMS OR SELF DRILLING SCREWS WITH SUFFICIENT LENGTH TO ACHIEVE 3 THREADS MINIMUM BEYOND STRUCTURE INTERIOR WALL. LOCATE ANCHORS AS SHOWN IN ELEVATIONS AND INSTALLATION DETAILS.
12. ALL FASTENERS TO BE CORROSION RESISTANT.
13. INSTALLATION ANCHORS SHALL BE INSTALLED IN ACCORDANCE WITH ANCHOR MANUFACTURER'S INSTALLATION INSTRUCTIONS AND ANCHORS SHALL NOT BE USED IN SUBSTRATES WITH STRENGTHS LESS THAN THE MINIMUM STRENGTH SPECIFIED BELOW:
 - A. WOOD – MINIMUM SPECIFIC GRAVITY OF G=0.42
 - B. CONCRETE – MINIMUM COMPRESSIVE STRENGTH OF 3,192 PSI.
 - C. MASONRY – GROUT FILLED STRENGTH CONFORMANCE TO ASTM C-90, GRADE N, TYPE 1 (OR GREATER).
 - D. METAL STRUCTURE: STEEL 18GA, 33KSI OR ALUMINUM 6063-T5 .048" THICK MINIMUM
14. DOOR CONSTRUCTION MAYBE CONTINUOUS HEAD FRAME AND CONTINUOUS THRESHOLD OR BOX CONSTRUCTION.

| TABLE OF CONTENTS | |
|-------------------|--|
| SHEET NO. | DESCRIPTION |
| 1 | NOTES |
| 2 – 3 | ELEVATIONS AND APPROVED CONFIGURATIONS |
| 4 | ANCHORING LAYOUTS |
| 5 – 12 | INSTALLATION DETAILS |
| 13 – 15 | APPROVED SLABS |
| 16 | COMPONENTS |

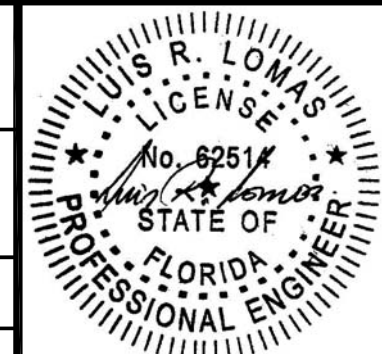
PROVIA, LLC.
2150 STATE ROUTE 39 WEST
SUGARCREEK, OH 44681

STEEL/FIBERGLASS INSWING GLAZED DOUBLE DOOR
W/SIDELITES NON-IMPACT
NOTES

| | | |
|----------------|---------------------|------------------|
| DRAWN: V.L. | DWG NO. 08-02070 | REV J |
| SCALE NTS | DATE 06/19/13 | SHEET 1 OF 16 |

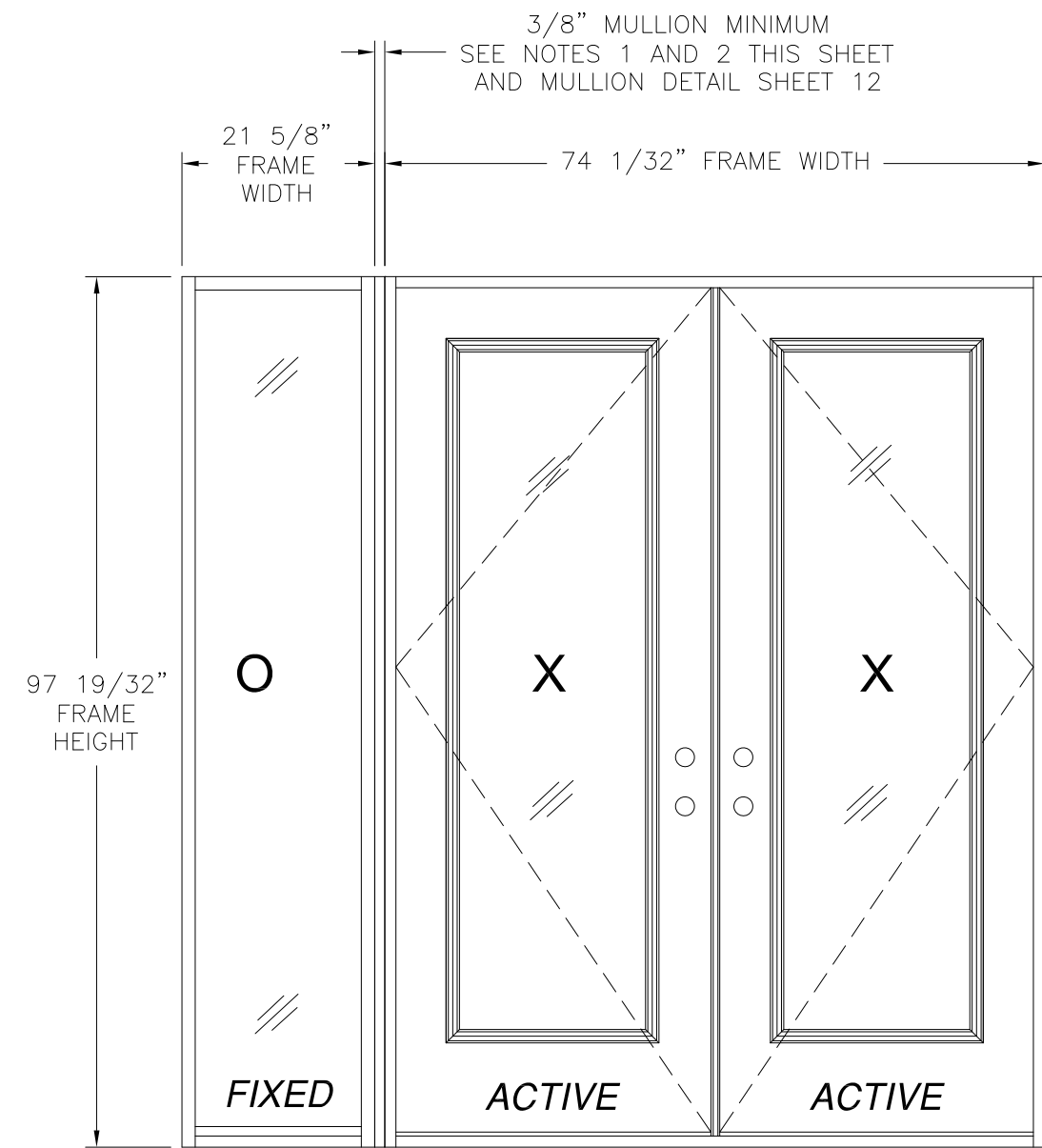
L. ROBERTO LOMAS P.E.
1432 WOODFORD RD LEWISVILLE, NC 27023
434-688-0609 rllomas@rlomaspe.com

SIGNED: 08/26/2021

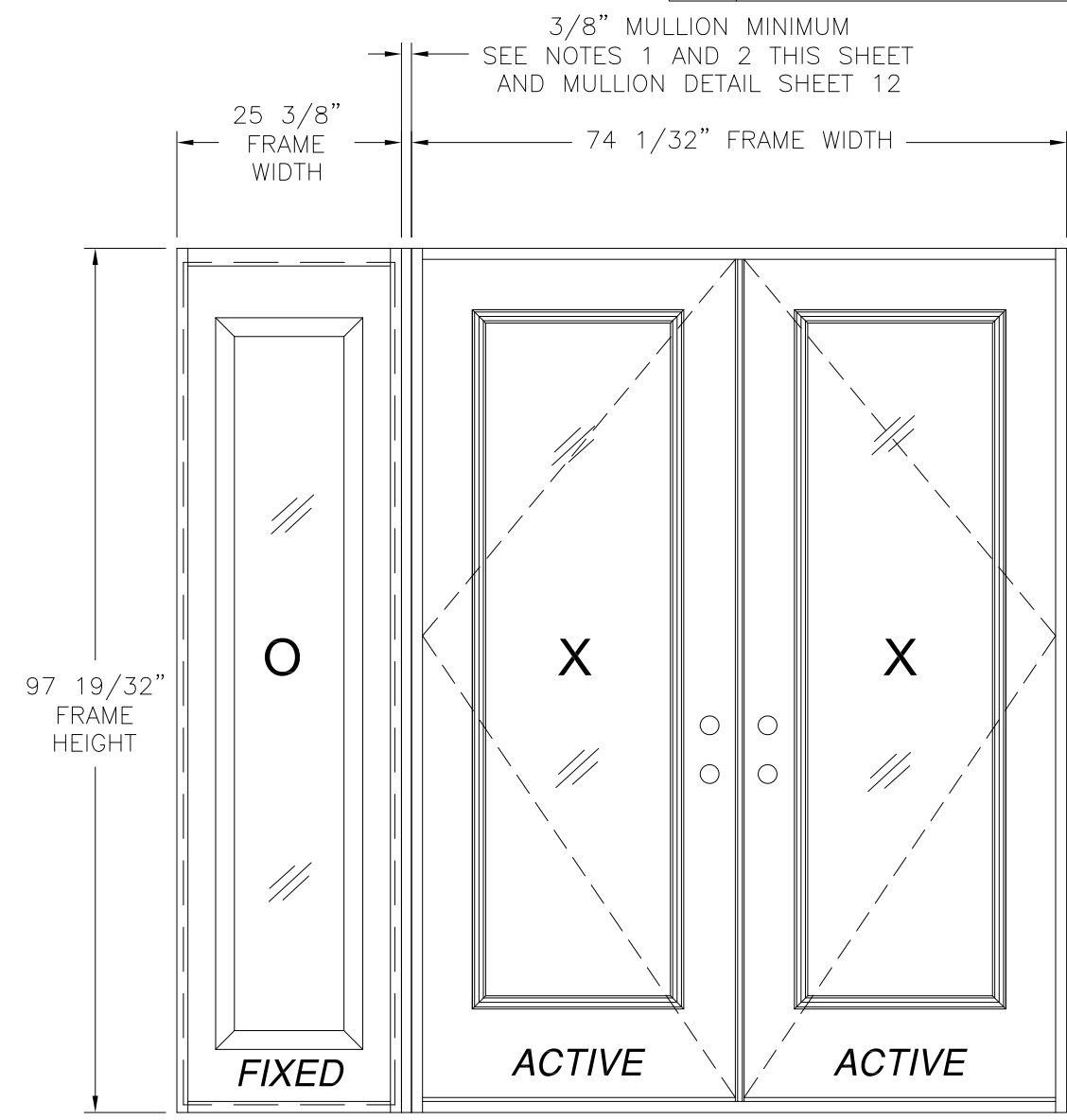


Luis R. Lomas P.E.
FL No.: 62514

| REVISIONS | | | |
|-----------|------------------------|------------|----------|
| REV | DESCRIPTION | DATE | APPROVED |
| J | ADDED GLAZED FIR TRIMS | 08/26/2021 | R.L. |



DOUBLE W/ DIRECT SET SIDELITE
 EXTERIOR VIEW
 OXX SHOWN XXO ALSO APPROVED



DOUBLE WITH STANDARD SIDELITE
 EXTERIOR VIEW
 OXX SHOWN XXO ALSO APPROVED

- D.L.O. NOTES:
1. MAXIMUM DOOR D.L.O.: 20 3/8" X 78 1/2"
 2. MAXIMUM STD. SIDELITE D.L.O.: 12 3/8" X 78 3/8"
 3. MAXIMUM DIRECT SET SIDELITE D.L.O.: 18 5/8" X 93 3/4"

| DESIGN PRESSURE RATING | IMPACT RATING |
|---|---------------|
| ±55.0PSF | NONE |
| <small>THIS SYSTEM WAS NOT TESTED FOR WATER INFILTRATION AND IS TO BE INSTALLED ONLY WHERE WATER RESISTANCE IS NOT REQUIRED</small> | |

| DESIGN PRESSURE RATING | IMPACT RATING |
|---|---------------|
| +48.0/-52.0 | NONE |
| <small>THIS SYSTEM WAS NOT TESTED FOR WATER INFILTRATION AND IS TO BE INSTALLED ONLY WHERE WATER RESISTANCE IS NOT REQUIRED</small> | |

35 3/4" x 94 15/16" PANEL SIZE SHOWN. OTHER SIZES ARE APPROVED AS LONG AS INDIVIDUAL PANEL AREA DOES NOT EXCEED 23.56 FT²

- NOTES:
1. MAXIMUM ALLOWED BUILD UP TO BE 7" AT EACH VERTICAL MULLION.
 2. IF SIDELITE WIDTH IS 16" OR LESS NO VERTICAL MULLION IS REQUIRED.

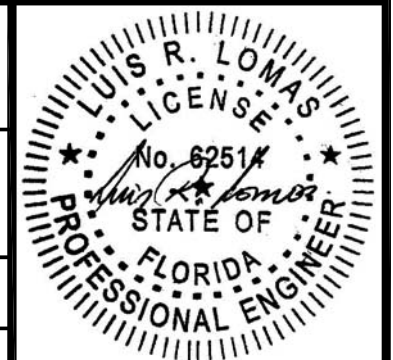
PROVIA, LLC.
 2150 STATE ROUTE 39 WEST
 SUGARCREEK, OH 44681

STEEL/FIBERGLASS INSWING GLAZED DOUBLE DOOR
 W/SIDELITES NON-IMPACT
 ELEVATIONS

| | | |
|----------------|---------------------|------------------|
| DRAWN: V.L. | DWG NO. 08-02070 | REV J |
| SCALE NTS | DATE 06/19/13 | SHEET 2 OF 16 |

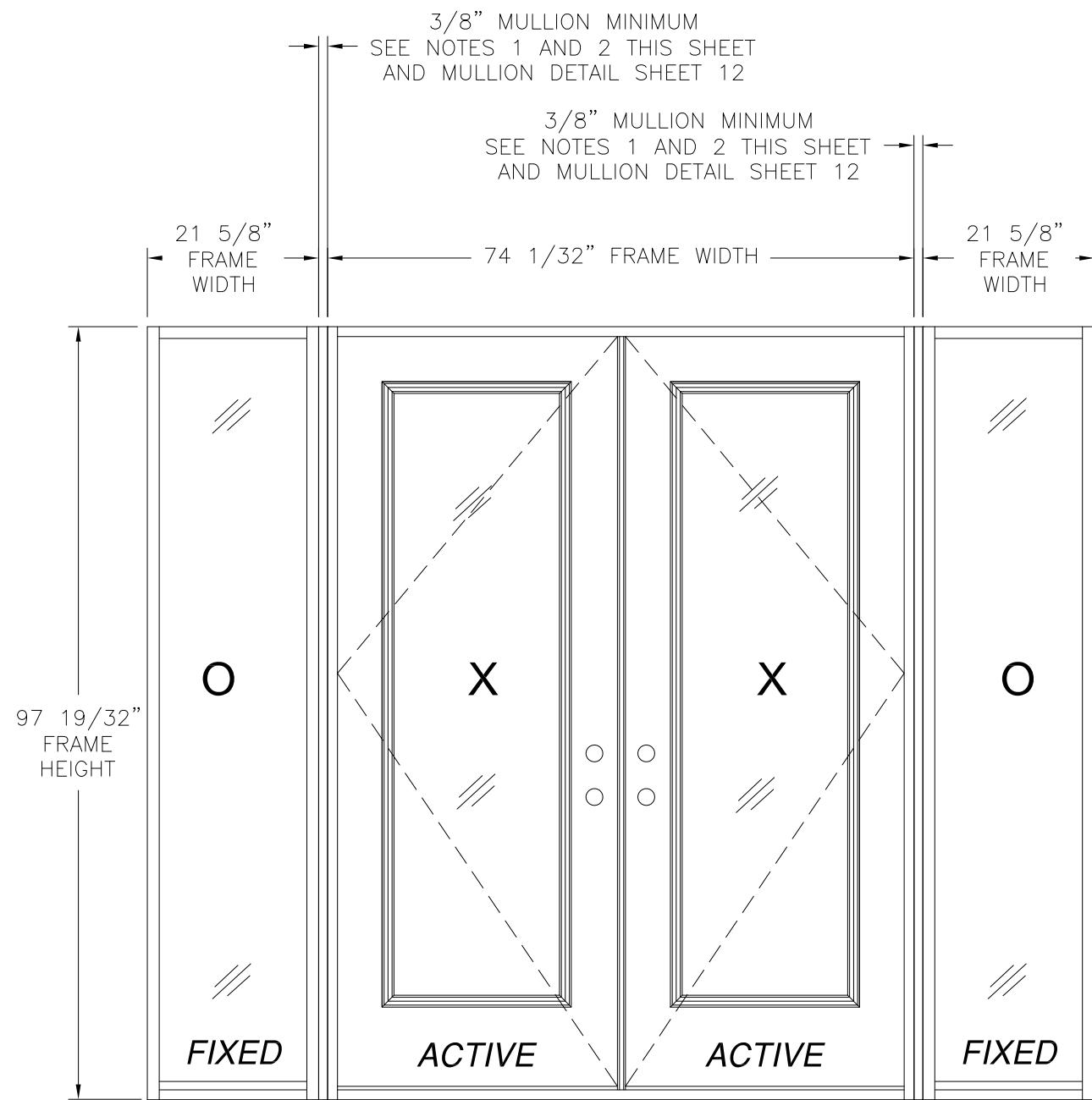
L. ROBERTO LOMAS P.E.
 1432 WOODFORD RD LEWISVILLE, NC 27023
 434-688-0609 rllomas@rlomaspe.com

SIGNED: 08/26/2021

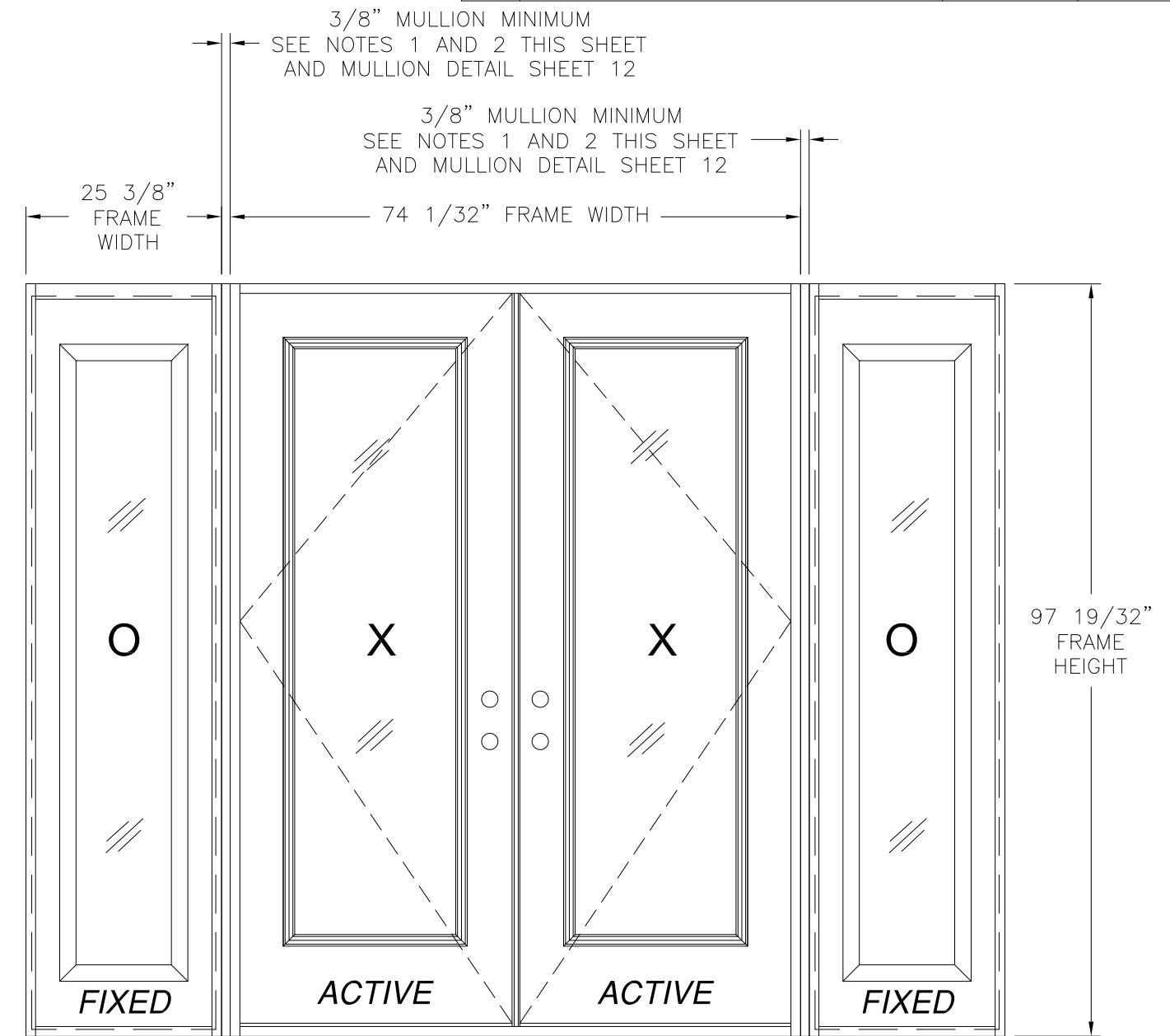


Luis R. Lomas P.E.
 FL No.: 62514

| REVISIONS | | | |
|-----------|------------------------|------------|----------|
| REV | DESCRIPTION | DATE | APPROVED |
| J | ADDED GLAZED FIR TRIMS | 08/26/2021 | R.L. |



DOUBLE WITH DIRECT SET SIDELITES
EXTERIOR VIEW



DOUBLE WITH STANDARD SIDELITES
EXTERIOR VIEW

SIGNED: 08/26/2021

| | |
|--|---------------|
| DESIGN PRESSURE RATING | IMPACT RATING |
| ±55.0PSF | NONE |
| THIS SYSTEM WAS NOT TESTED FOR WATER INFILTRATION AND IS TO BE INSTALLED ONLY WHERE WATER RESISTANCE IS NOT REQUIRED | |

| | |
|--|---------------|
| DESIGN PRESSURE RATING | IMPACT RATING |
| +48.0/-52.0 | NONE |
| THIS SYSTEM WAS NOT TESTED FOR WATER INFILTRATION AND IS TO BE INSTALLED ONLY WHERE WATER RESISTANCE IS NOT REQUIRED | |

WITH FIBERGLASS SLAB

35 3/4" x 94 15/16" PANEL SIZE SHOWN. OTHER SIZES ARE APPROVED AS LONG AS INDIVIDUAL PANEL AREA DOES NOT EXCEED 23.56 FT²

- NOTES:
1. MAXIMUM ALLOWED BUILD UP TO BE 7" AT EACH VERTICAL MULLION.
 2. IF SIDELITE WIDTH IS 16" OR LESS NO VERTICAL MULLION IS REQUIRED.

PROVIA, LLC.
2150 STATE ROUTE 39 WEST
SUGARCREEK, OH 44681

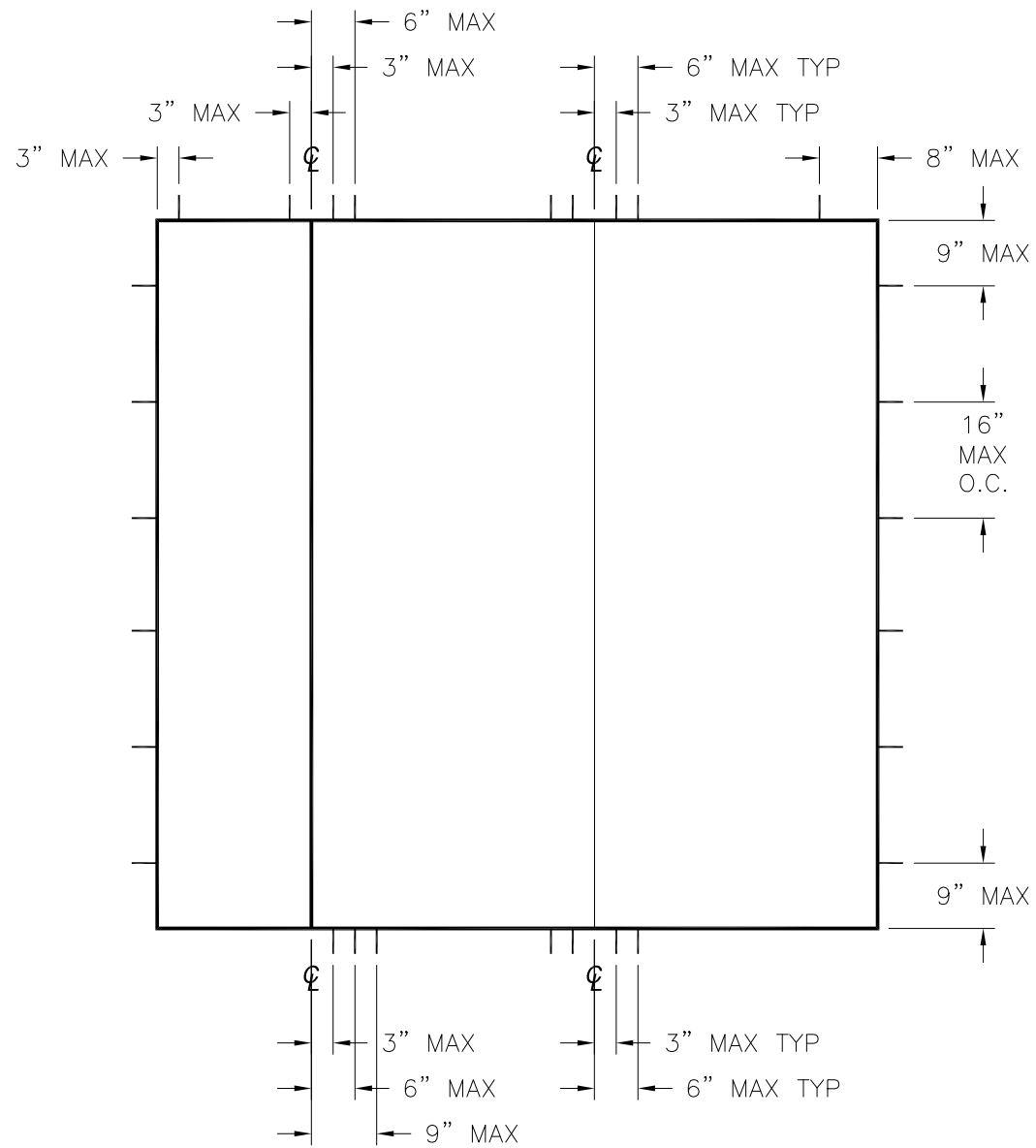
STEEL/FIBERGLASS INSWING GLAZED DOUBLE DOOR
W/SIDELITES NON-IMPACT
ELEVATIONS

| | | |
|----------------|---------------------|------------------|
| DRAWN: V.L. | DWG NO. 08-02070 | REV J |
| SCALE NTS | DATE 06/19/13 | SHEET 3 OF 16 |

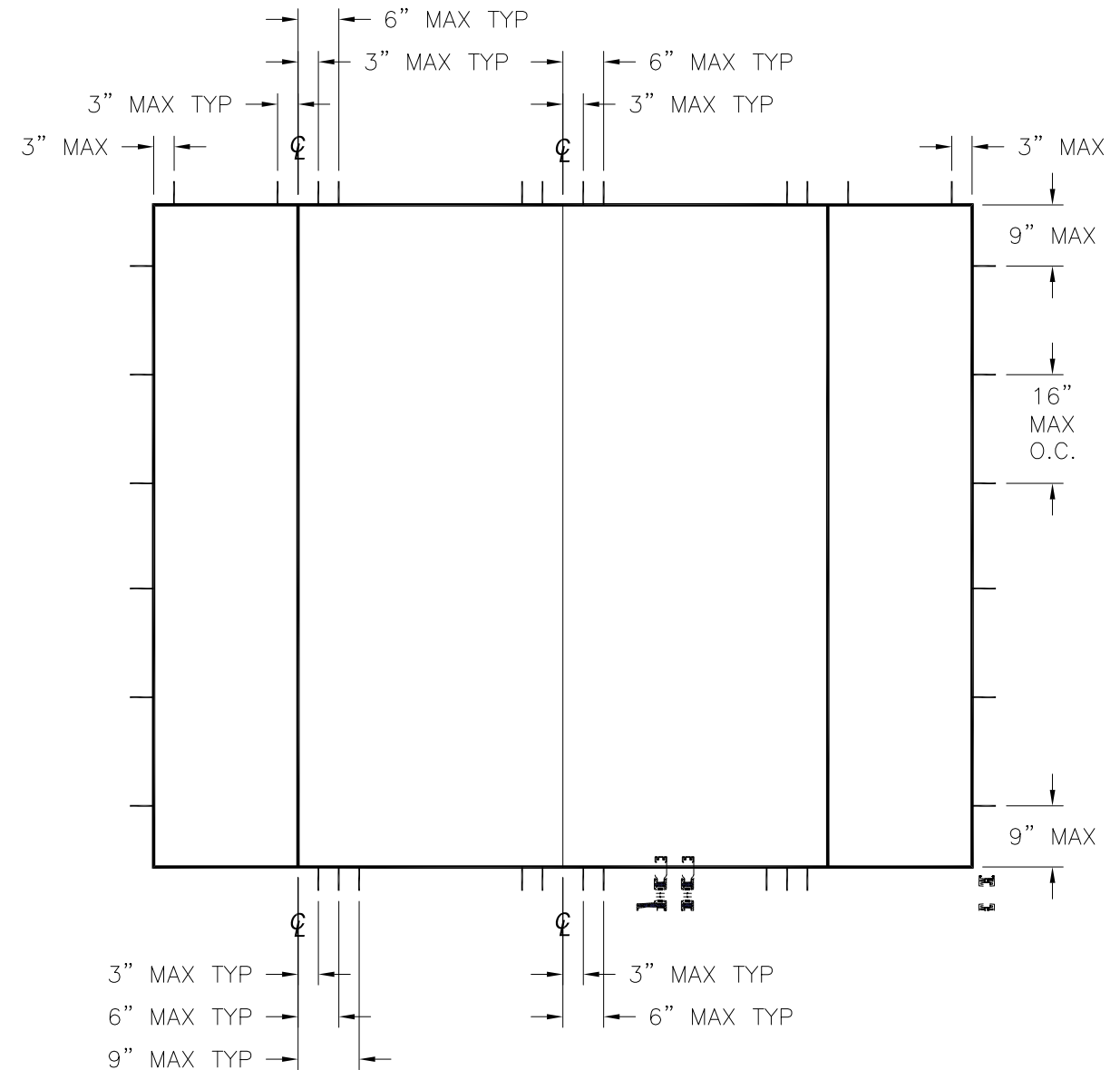
L. ROBERTO LOMAS P.E.
1432 WOODFORD RD LEWISVILLE, NC 27023
434-688-0609 rllomas@rlomaspe.com

Luis R. Lomas P.E.
FL No.: 62514

| REVISIONS | | | |
|-----------|------------------------|------------|----------|
| REV | DESCRIPTION | DATE | APPROVED |
| J | ADDED GLAZED FIR TRIMS | 08/26/2021 | R.L. |



DOUBLE DOOR WITH SIDELITE



DOUBLE DOOR WITH SIDELITES

SIGNED: 08/26/2021

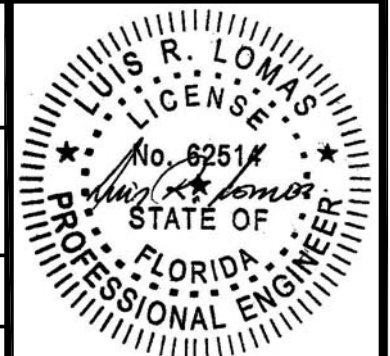
| HARDWARE SCHEDULE | |
|-------------------|--|
| A. | F-SERIES LOCK ASSEMBLY DOOR KNOB BY SCHLAGE. |
| B. | B-SERIES DEADBOLT ASSEMBLY BY SCHLAGE. |
| C. | F-SERIES DEADBOLT ASSEMBLY BY SCHLAGE. |
| D. | RESIDENTIAL GRADE DOOR HANDLE ASSEMBLY BY EMTEK (ALTERNATE). |
| E. | MULTI-POINT LOCK HANDLE ASSEMBLY BY TRILENNIUM (ALTERNATE). |
| F. | (3) 4" x 4" BALL BEARING HINGES BY PENROD. |
| G. | (3) 4" x 4" SPRING BOMMER HINGES BY PENROD. (ALTERNATE) |

PROVIA, LLC.
 2150 STATE ROUTE 39 WEST
 SUGARCREEK, OH 44681

STEEL/FIBERGLASS INSWING GLAZED DOUBLE DOOR
 W/SIDELITES NON-IMPACT
 ANCHORING LAYOUTS

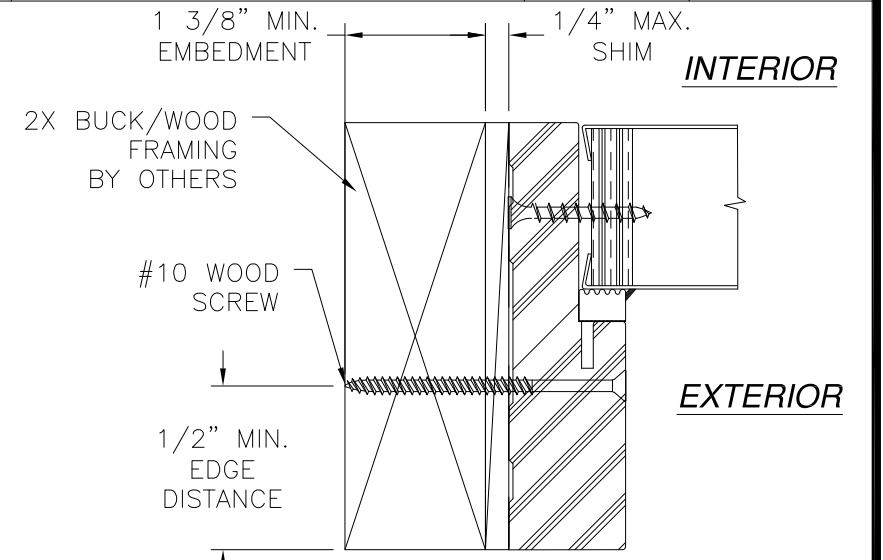
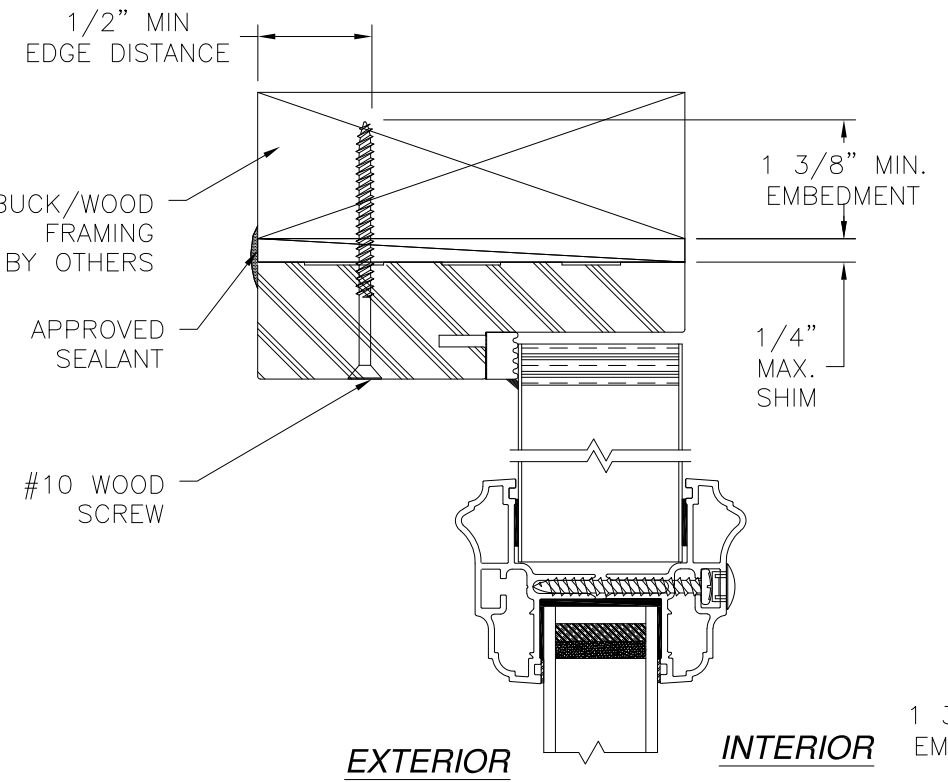
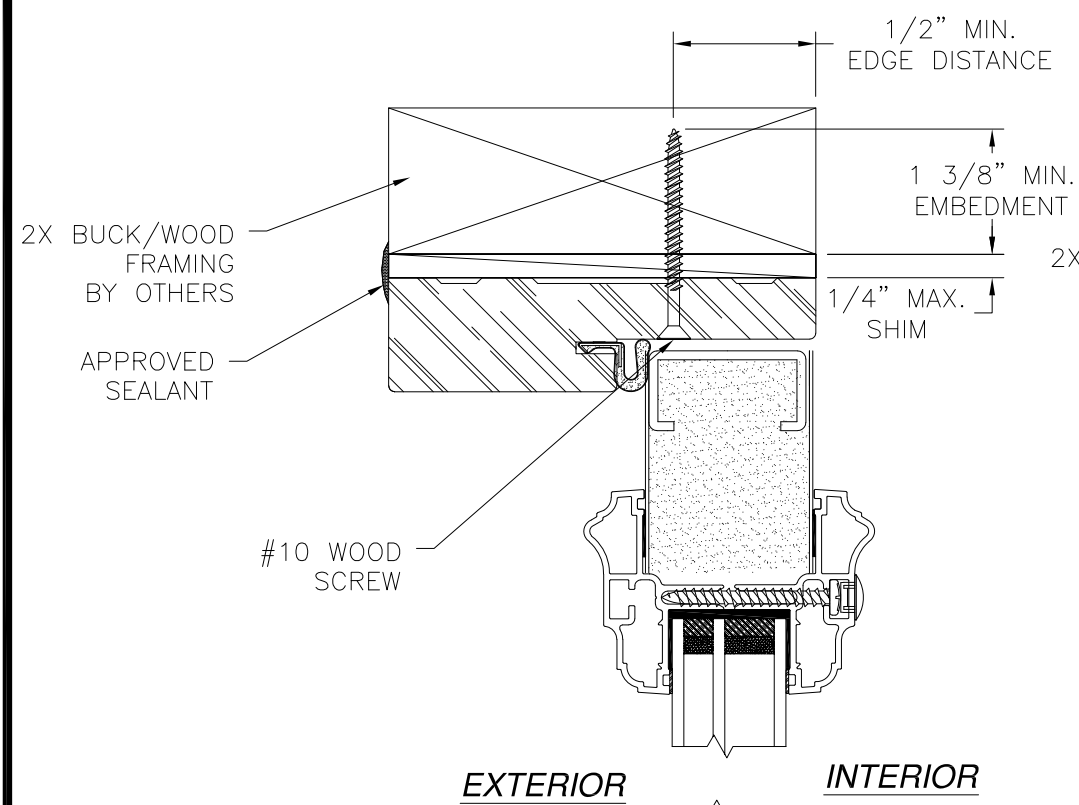
| | | |
|----------------|---------------------|---------------|
| DRAWN: V.L. | DWG NO. 08-02070 | REV J |
| SCALE NTS | DATE 06/19/13 | SHEET 4 OF 16 |

L. ROBERTO LOMAS P.E.
 1432 WOODFORD RD LEWISVILLE, NC 27023
 434-688-0609 rllomas@rlomaspe.com

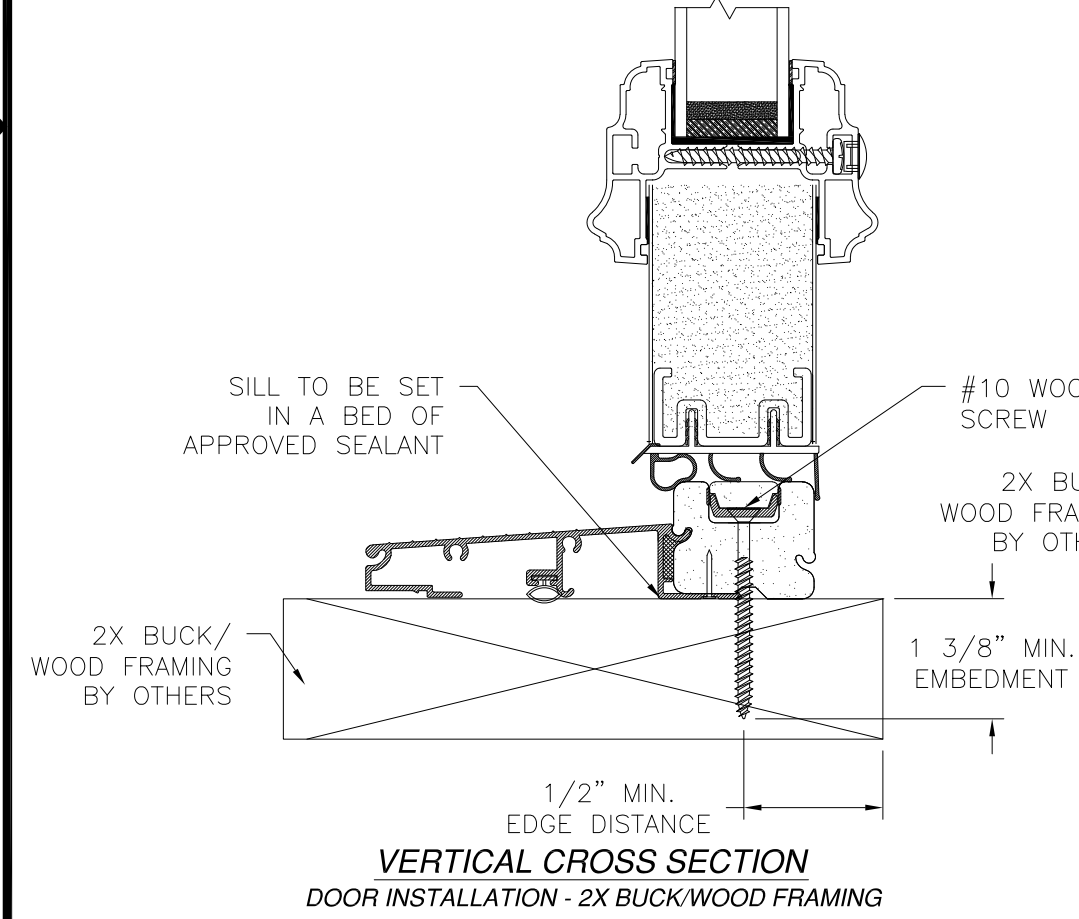


Luis R. Lomas P.E.
 FL No.: 62514

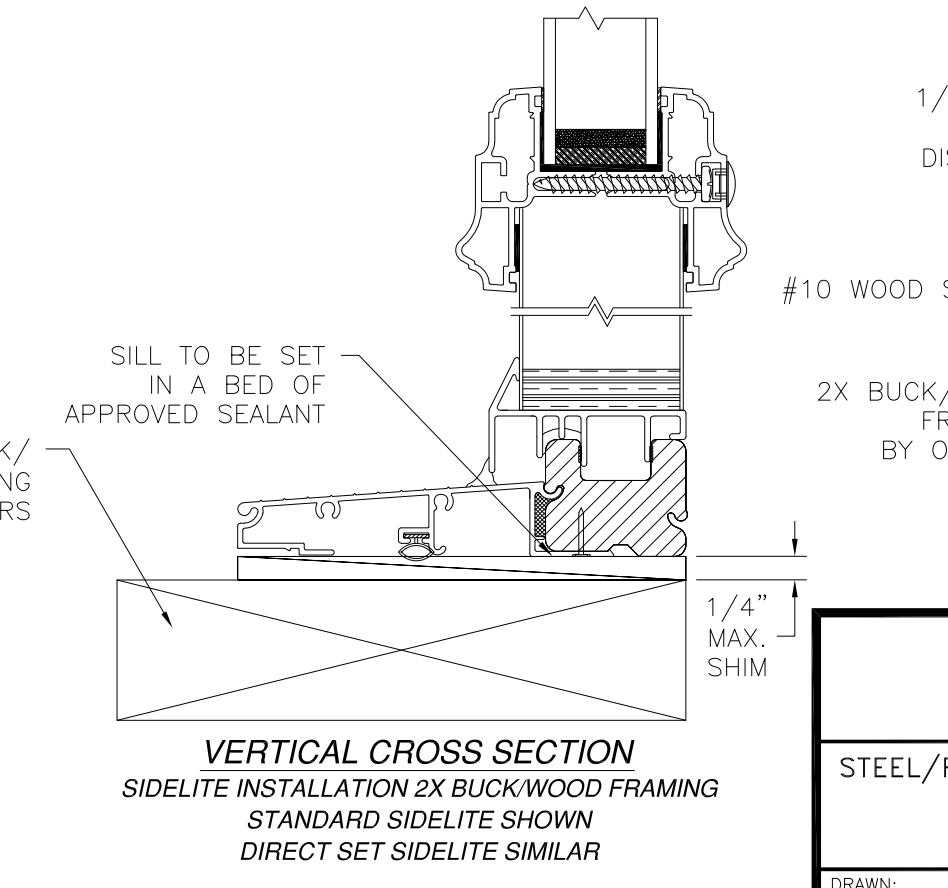
| REVISIONS | | | |
|-----------|------------------------|------------|----------|
| REV | DESCRIPTION | DATE | APPROVED |
| J | ADDED GLAZED FIR TRIMS | 08/26/2021 | R.L. |



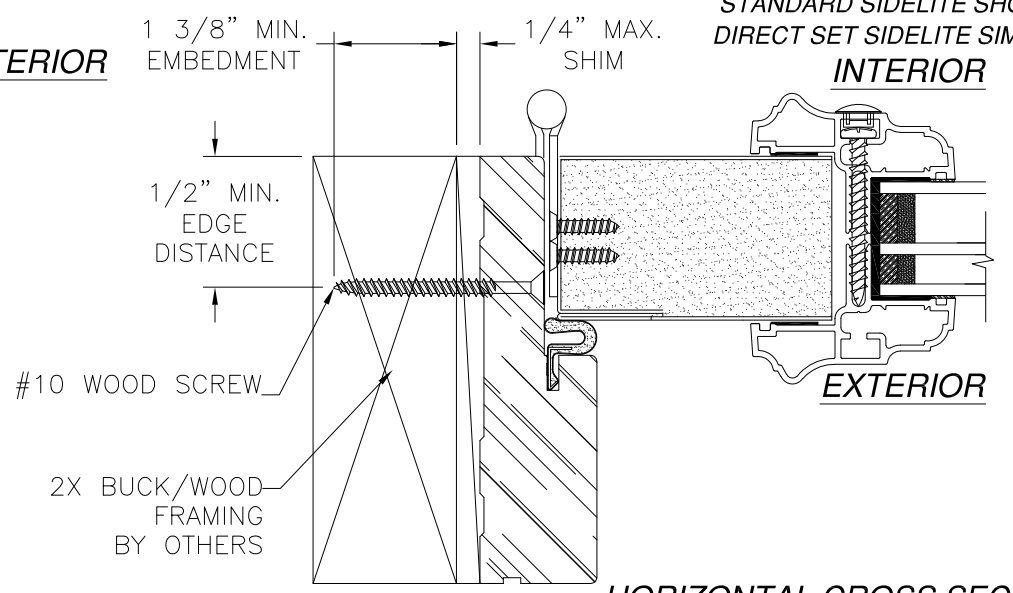
HORIZONTAL CROSS SECTION
SIDELITE INSTALLATION 2X BUCK/WOOD FRAMING
STANDARD SIDELITE SHOWN
DIRECT SET SIDELITE SIMILAR



VERTICAL CROSS SECTION
DOOR INSTALLATION - 2X BUCK/WOOD FRAMING



VERTICAL CROSS SECTION
SIDELITE INSTALLATION 2X BUCK/WOOD FRAMING
STANDARD SIDELITE SHOWN
DIRECT SET SIDELITE SIMILAR



HORIZONTAL CROSS SECTION
DOOR INSTALLATION - 2X BUCK/WOOD FRAMING

SIGNED: 08/26/2021

- NOTES:**
1. INTERIOR AND EXTERIOR FINISHES, BY OTHERS, NOT SHOWN FOR CLARITY.
 2. PERIMETER AND JOINT SEALANT BY OTHERS TO BE DESIGNED IN ACCORDANCE WITH ASTM E2112

PROVIA, LLC.
2150 STATE ROUTE 39 WEST
SUGARCREEK, OH 44681

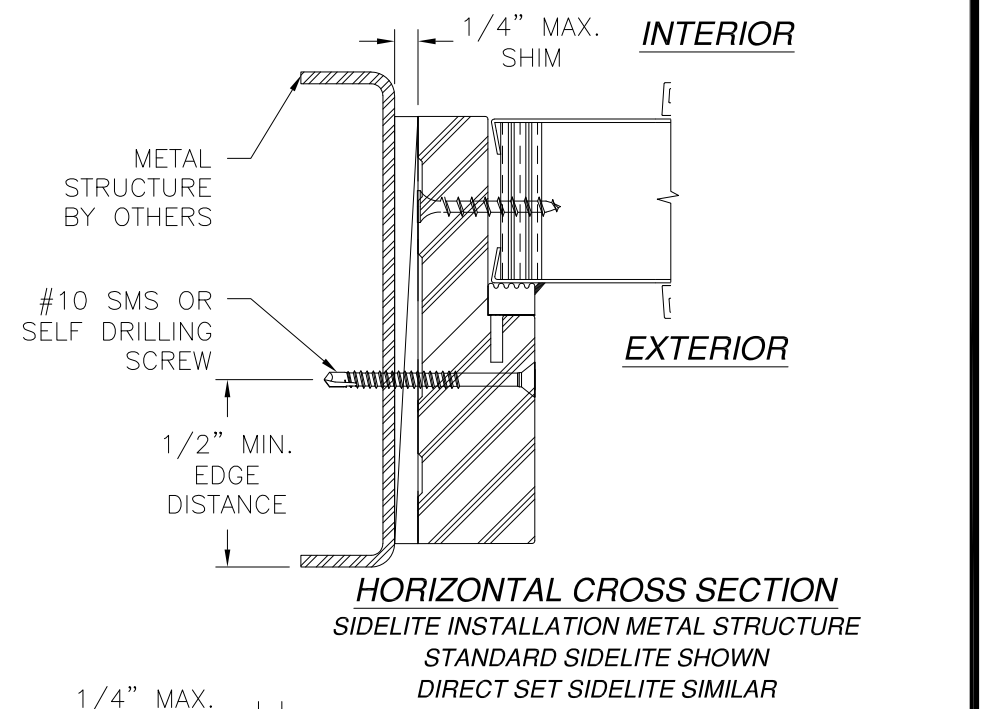
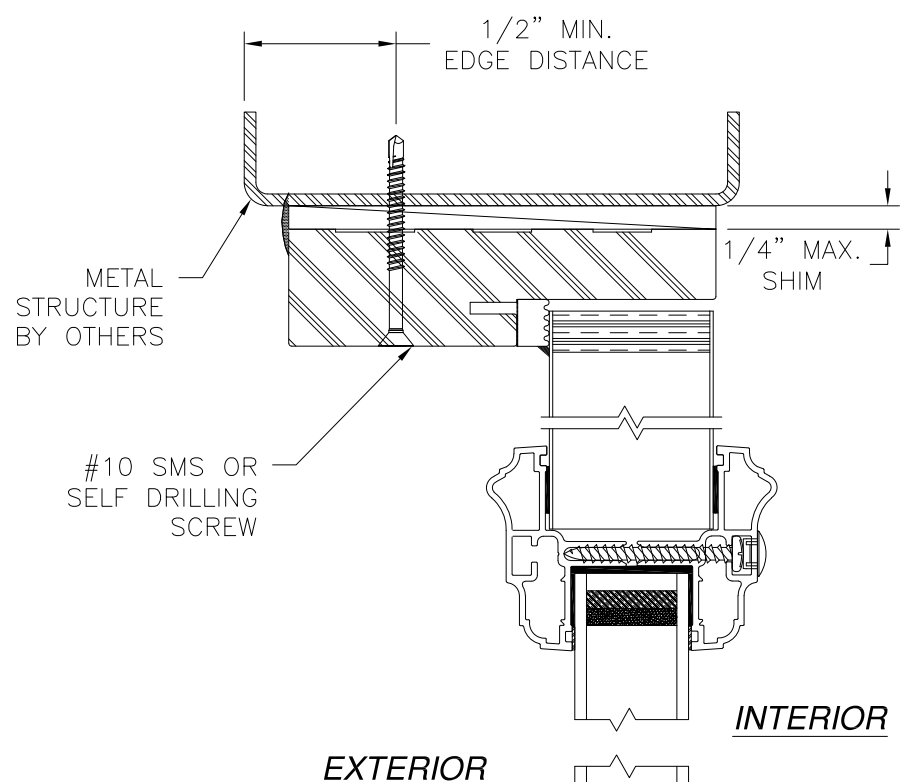
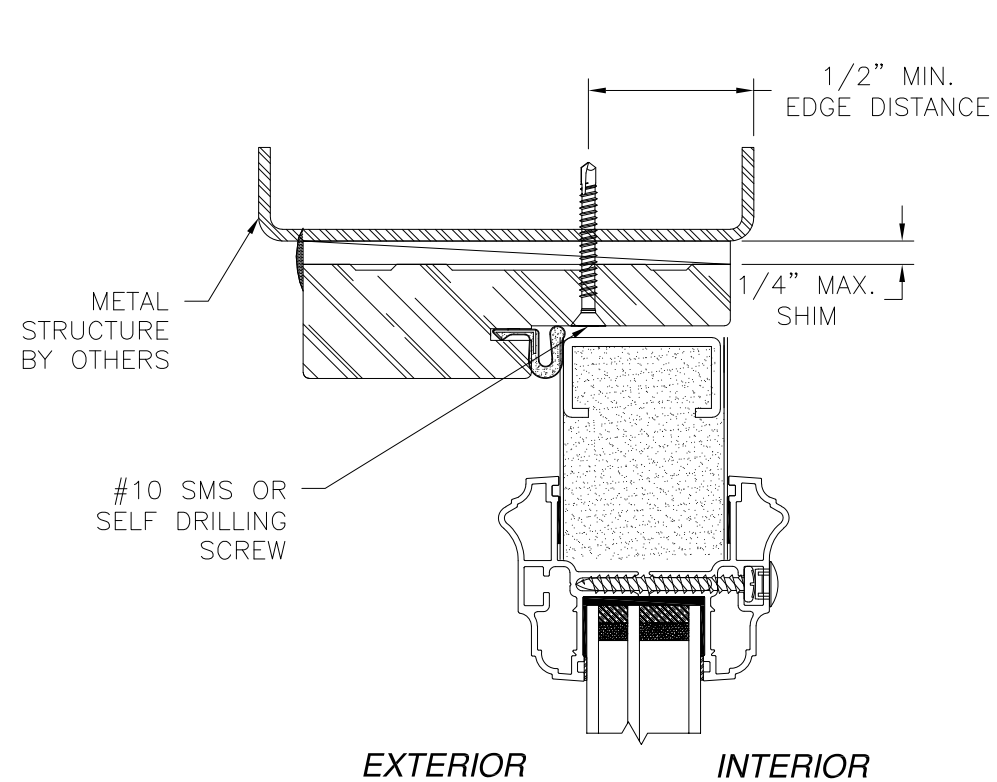
STEEL/FIBERGLASS INSWING GLAZED DOUBLE DOOR
W/SIDELITES NON-IMPACT
INSTALLATION DETAILS

| | | |
|----------------|---------------------|------------------|
| DRAWN: V.L. | DWG NO. 08-02070 | REV J |
| SCALE NTS | DATE 06/19/13 | SHEET 5 OF 16 |

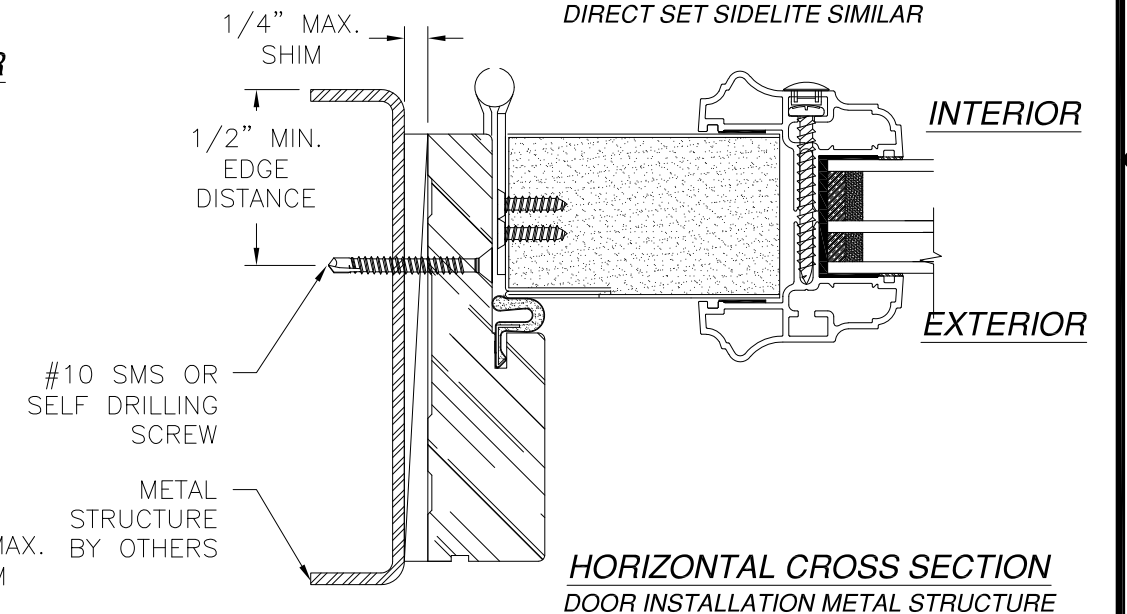
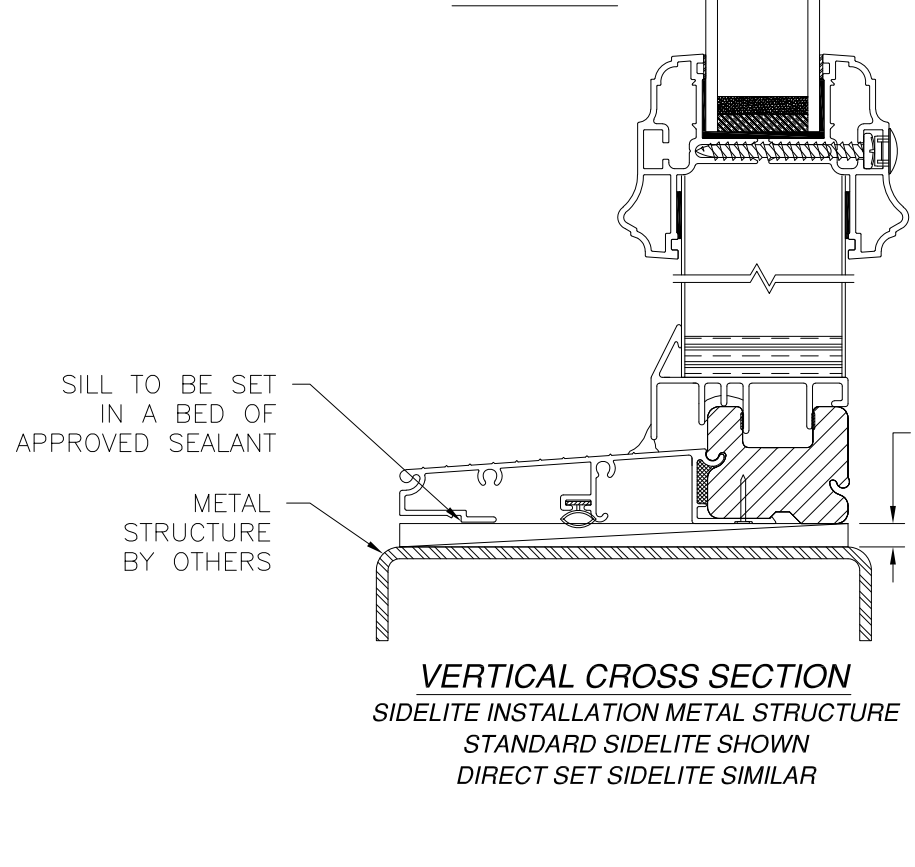
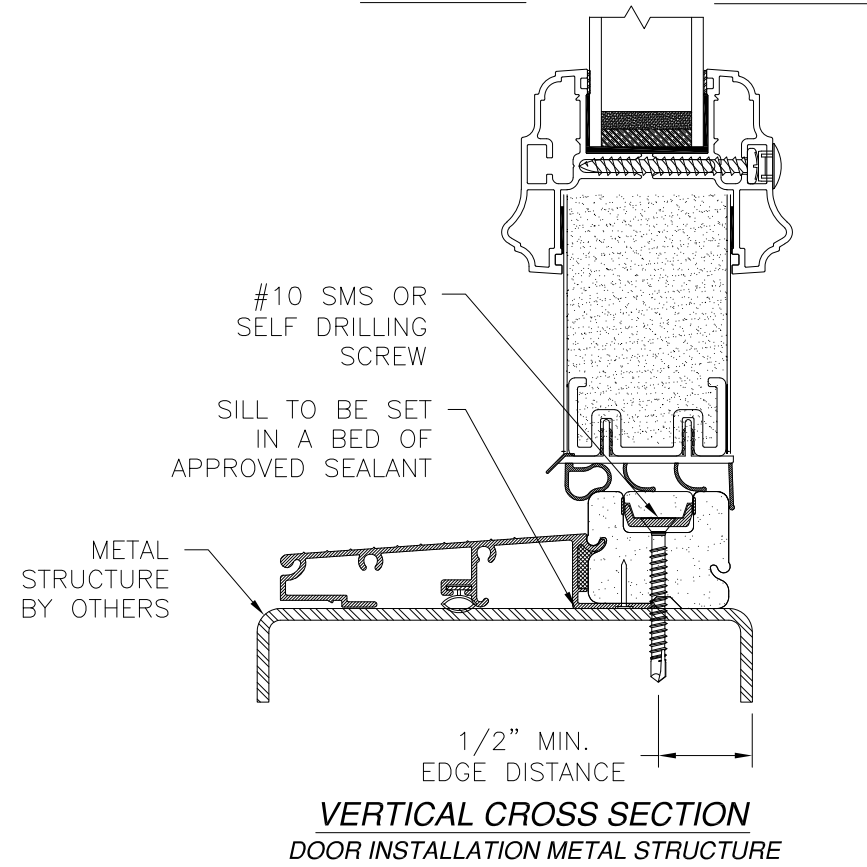
L. ROBERTO LOMAS P.E.
1432 WOODFORD RD LEWISVILLE, NC 27023
434-688-0609 rllomas@rlomaspe.com

Luis R. Lomas P.E.
FL No.: 62514

| REVISIONS | | | |
|-----------|------------------------|------------|----------|
| REV | DESCRIPTION | DATE | APPROVED |
| J | ADDED GLAZED FIR TRIMS | 08/26/2021 | R.L. |



HORIZONTAL CROSS SECTION
SIDELITE INSTALLATION METAL STRUCTURE
STANDARD SIDELITE SHOWN
DIRECT SET SIDELITE SIMILAR



HORIZONTAL CROSS SECTION
DOOR INSTALLATION METAL STRUCTURE
SIGNED: 08/26/2021

VERTICAL CROSS SECTION
SIDELITE INSTALLATION METAL STRUCTURE
STANDARD SIDELITE SHOWN
DIRECT SET SIDELITE SIMILAR

VERTICAL CROSS SECTION
DOOR INSTALLATION METAL STRUCTURE

- NOTES:**
1. INTERIOR AND EXTERIOR FINISHES, BY OTHERS, NOT SHOWN FOR CLARITY.
 2. PERIMETER AND JOINT SEALANT BY OTHERS TO BE DESIGNED IN ACCORDANCE WITH ASTM E2112

PROVIA, LLC.
2150 STATE ROUTE 39 WEST
SUGARCREEK, OH 44681

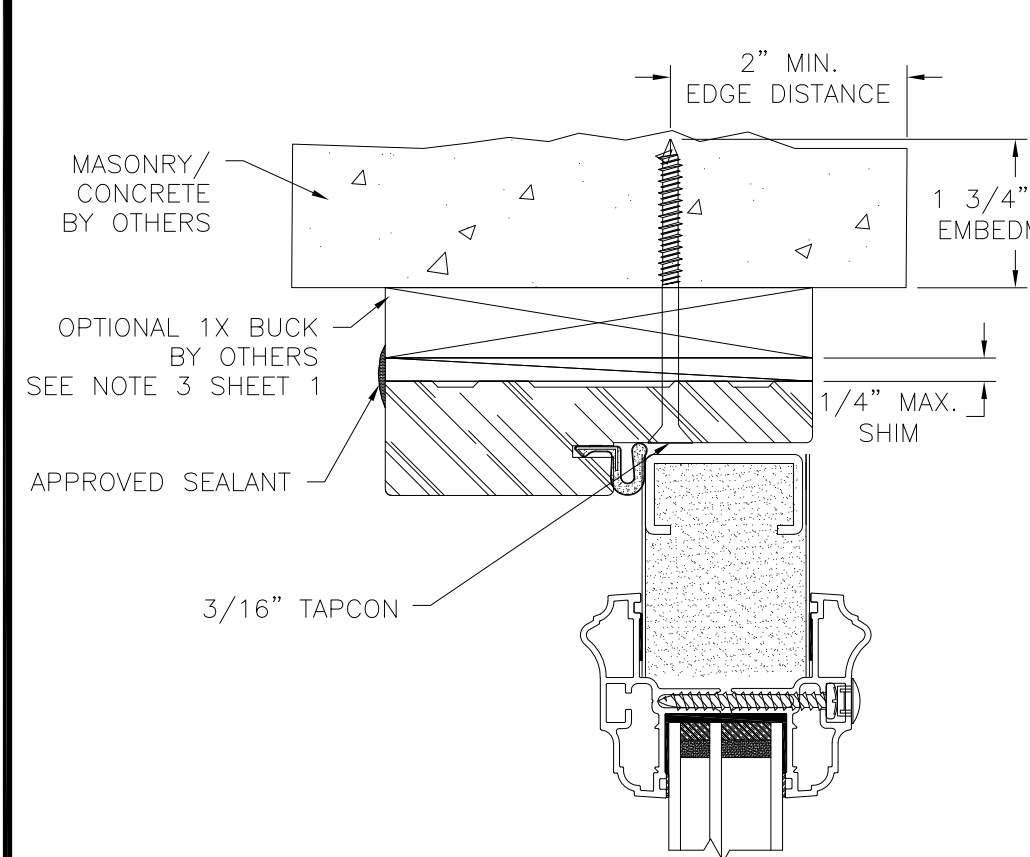
STEEL/FIBERGLASS INSWING GLAZED DOUBLE DOOR
W/SIDELITES NON-IMPACT
INSTALLATION DETAILS

| | | |
|----------------|---------------------|------------------|
| DRAWN: V.L. | DWG NO. 08-02070 | REV J |
| SCALE NTS | DATE 06/19/13 | SHEET 6 OF 16 |

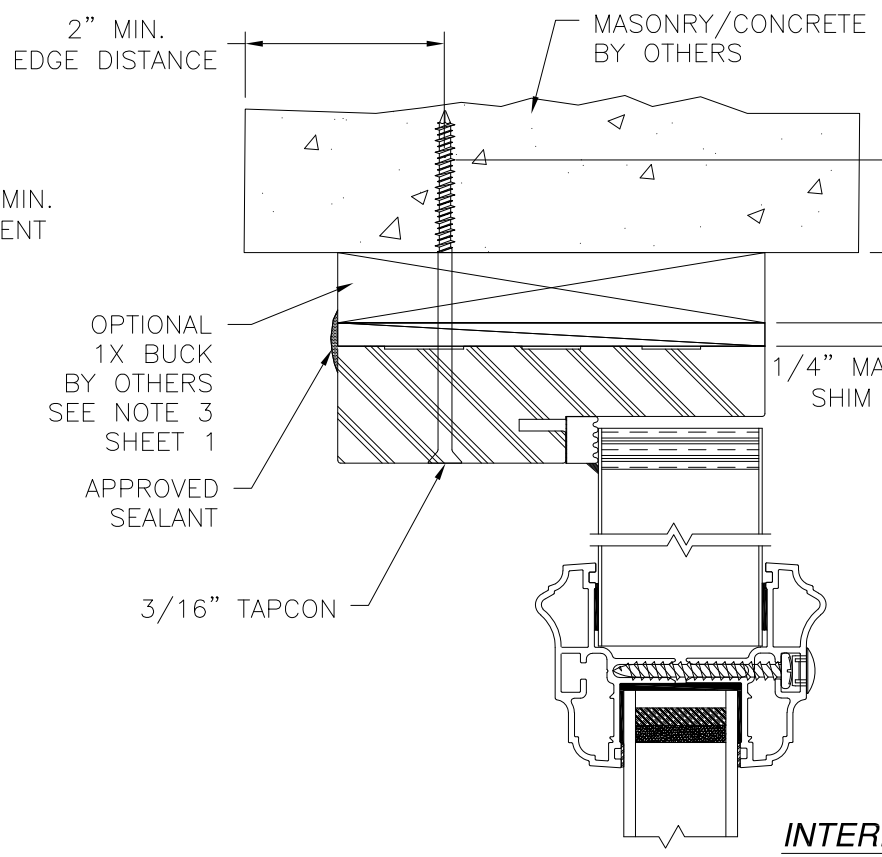
L. ROBERTO LOMAS P.E.
1432 WOODFORD RD LEWISVILLE, NC 27023
434-688-0609 rllomas@rlomaspe.com

Luis R. Lomas P.E.
FL No.: 62514

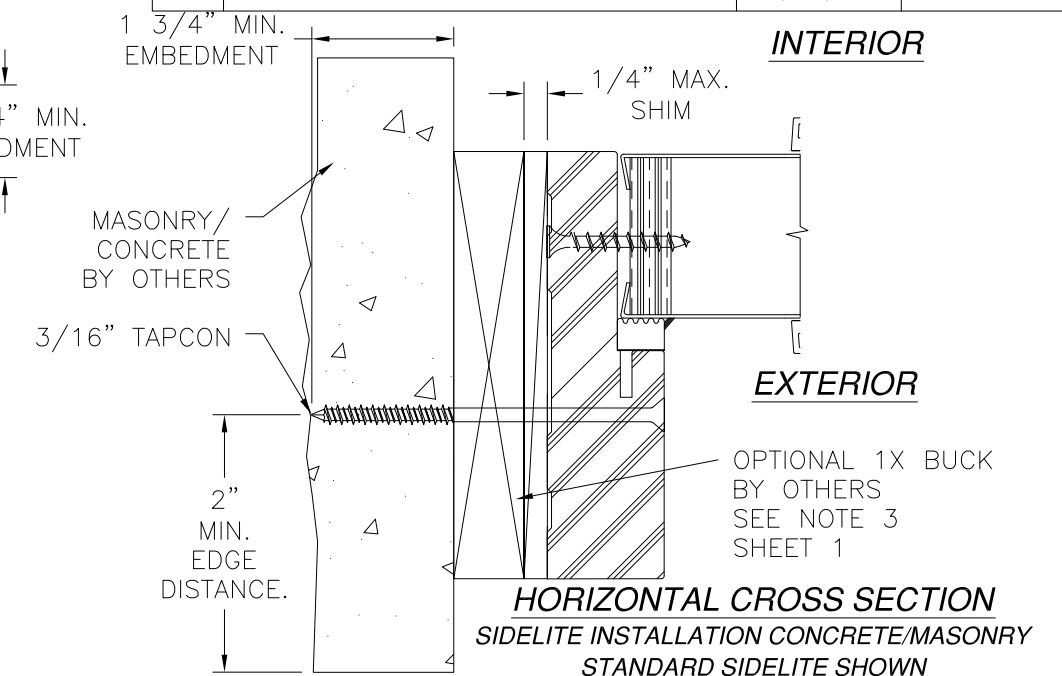
| REVISIONS | | | |
|-----------|------------------------|------------|----------|
| REV | DESCRIPTION | DATE | APPROVED |
| J | ADDED GLAZED FIR TRIMS | 08/26/2021 | R.L. |



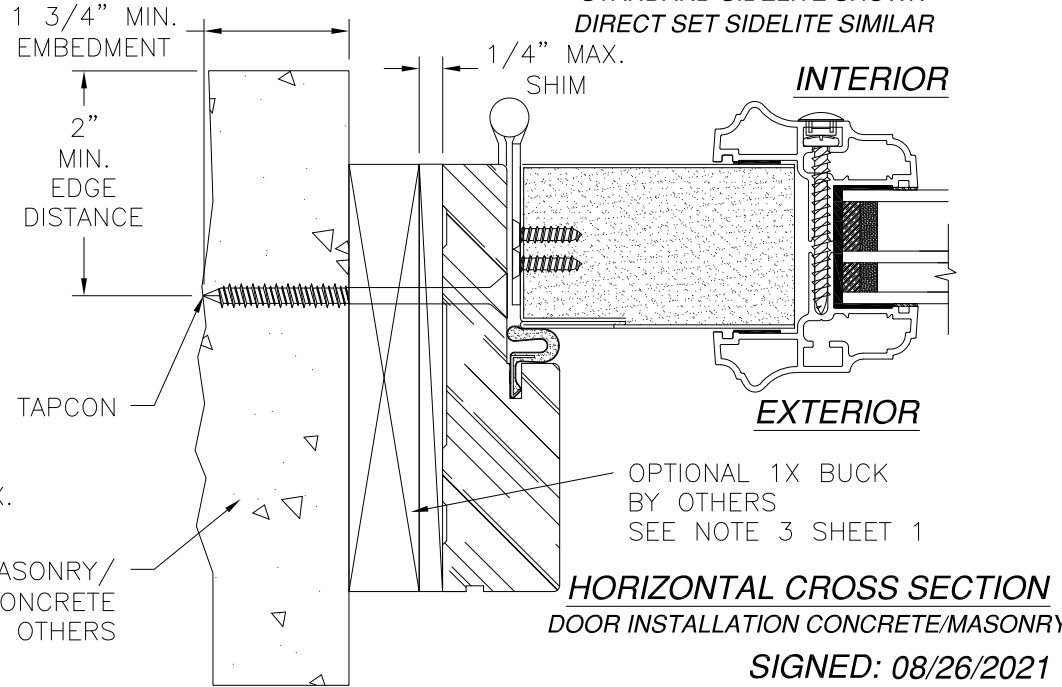
VERTICAL CROSS SECTION
DOOR INSTALLATION MASONRY/CONCRETE



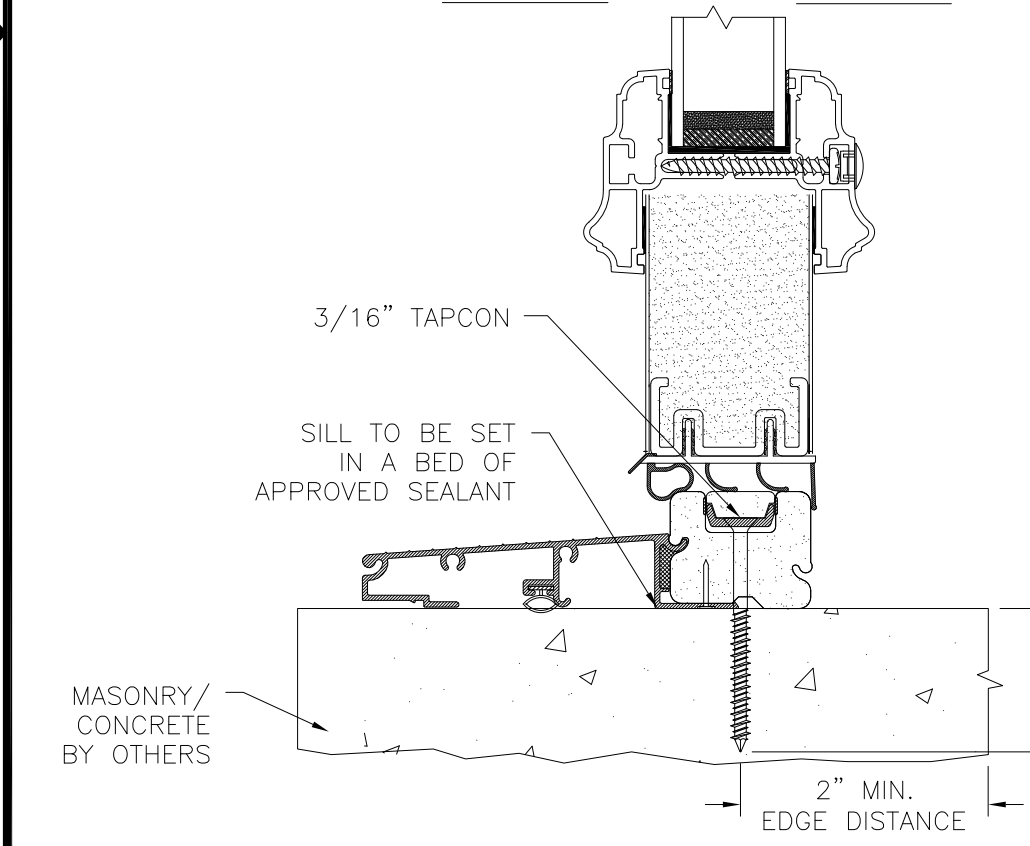
VERTICAL CROSS SECTION
SIDELITE INSTALLATION MASONRY/CONCRETE
STANDARD SIDELITE SHOWN
DIRECT SET SIDELITE SIMILAR



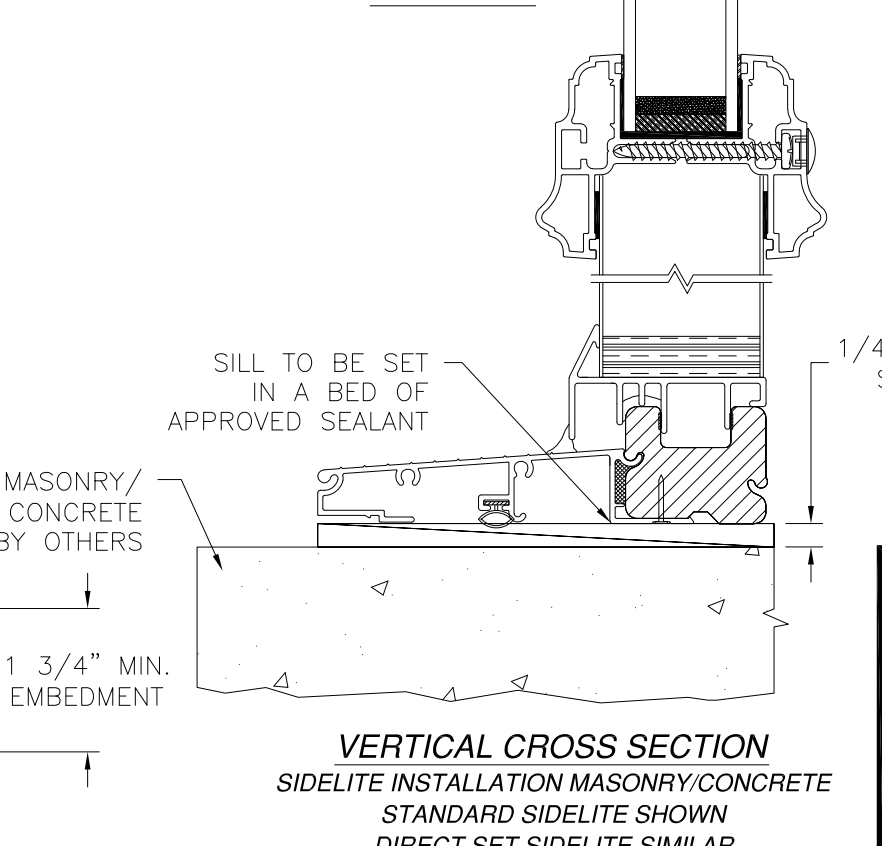
HORIZONTAL CROSS SECTION
SIDELITE INSTALLATION CONCRETE/MASONRY
STANDARD SIDELITE SHOWN
DIRECT SET SIDELITE SIMILAR



HORIZONTAL CROSS SECTION
DOOR INSTALLATION CONCRETE/MASONRY
SIGNED: 08/26/2021



VERTICAL CROSS SECTION
DOOR INSTALLATION MASONRY/CONCRETE



VERTICAL CROSS SECTION
SIDELITE INSTALLATION MASONRY/CONCRETE
STANDARD SIDELITE SHOWN
DIRECT SET SIDELITE SIMILAR

- NOTES:**
1. INTERIOR AND EXTERIOR FINISHES, BY OTHERS, NOT SHOWN FOR CLARITY.
 2. PERIMETER AND JOINT SEALANT BY OTHERS TO BE DESIGNED IN ACCORDANCE WITH ASTM E2112

PROVIA, LLC.
2150 STATE ROUTE 39 WEST
SUGARCREEK, OH 44681

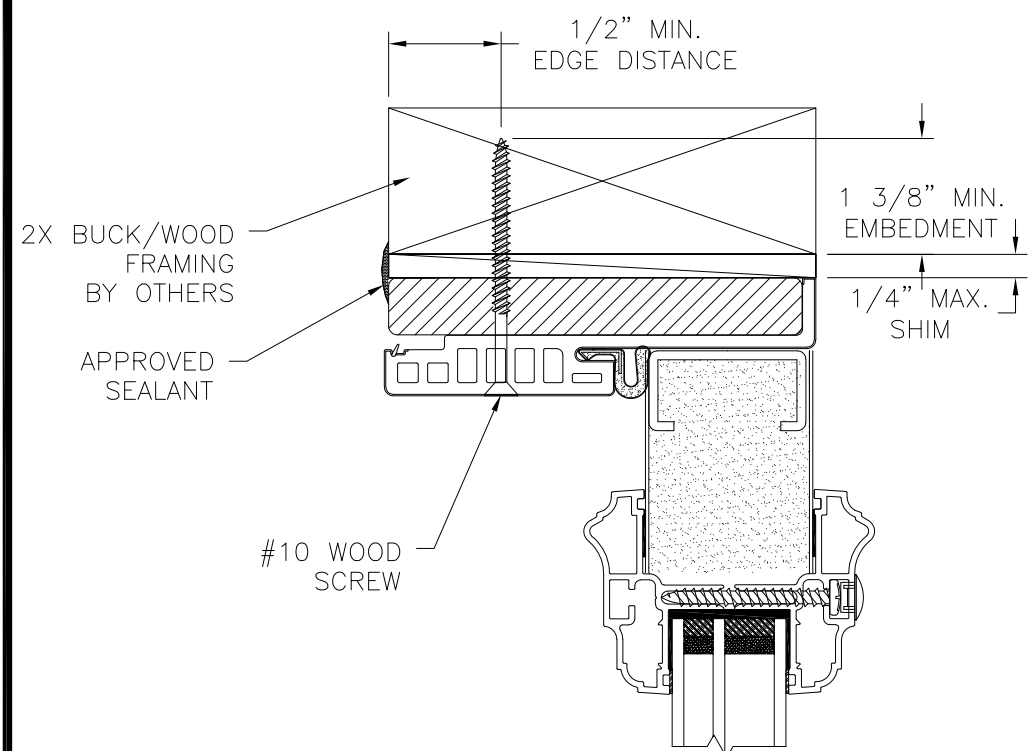
STEEL/FIBERGLASS INSWING GLAZED DOUBLE DOOR
W/SIDELITES NON-IMPACT
INSTALLATION DETAILS

| | | |
|----------------|---------------------|------------------|
| DRAWN: V.L. | DWG NO. 08-02070 | REV J |
| SCALE NTS | DATE 06/19/13 | SHEET 7 OF 16 |

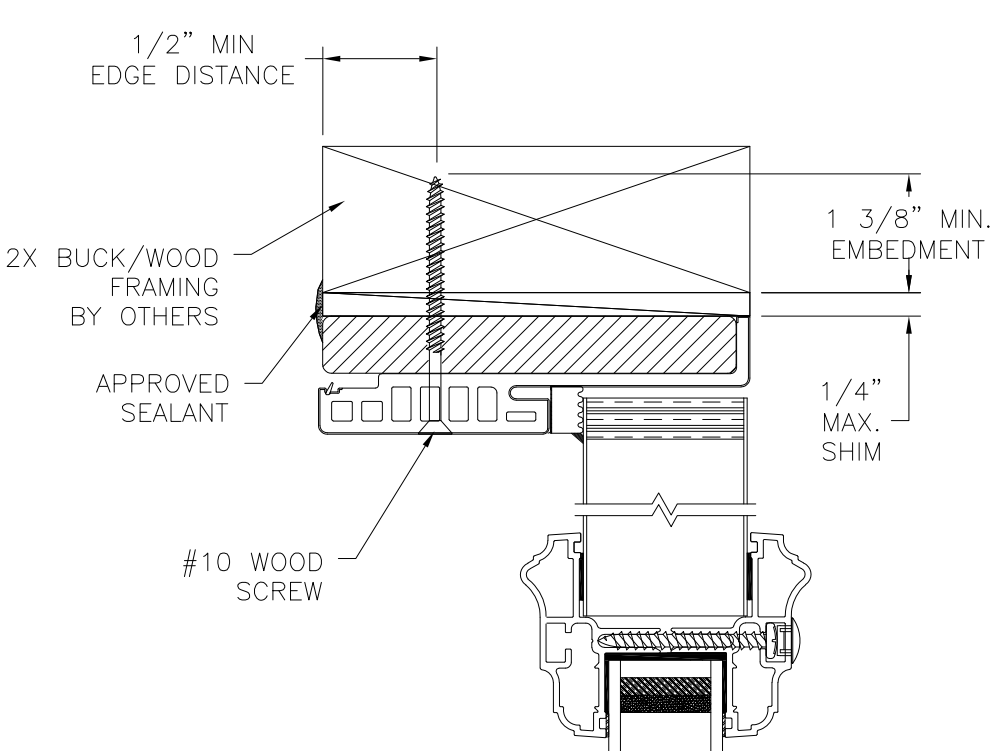
L. ROBERTO LOMAS P.E.
1432 WOODFORD RD LEWISVILLE, NC 27023
434-688-0609 rllomas@rlomaspe.com

Luis R. Lomas P.E.
FL No.: 62514

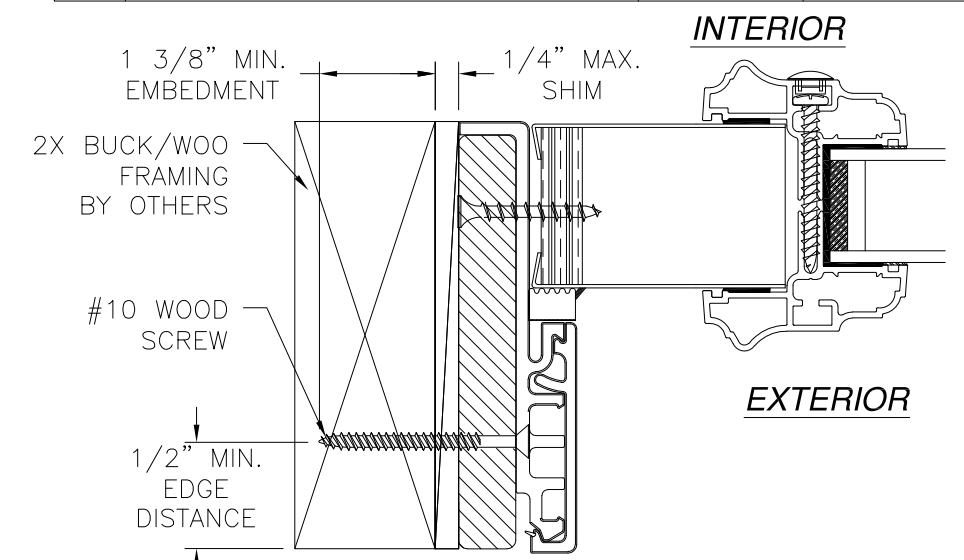
| REVISIONS | | | |
|-----------|------------------------|------------|----------|
| REV | DESCRIPTION | DATE | APPROVED |
| J | ADDED GLAZED FIR TRIMS | 08/26/2021 | R.L. |



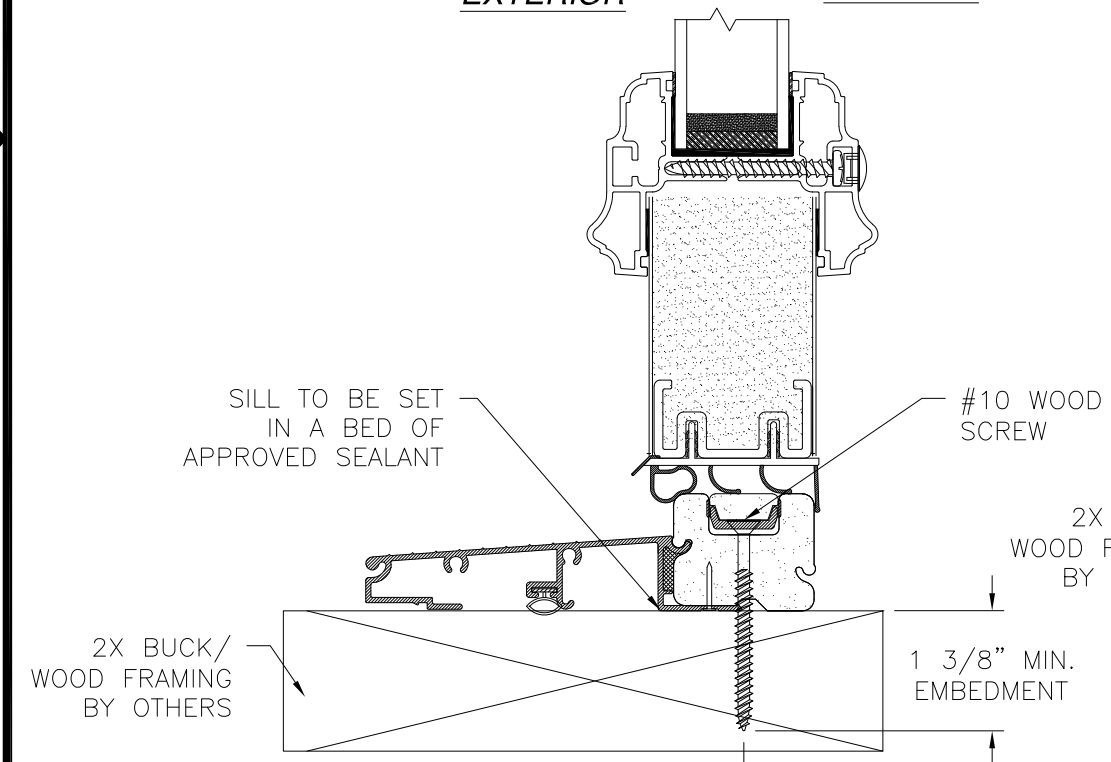
VERTICAL CROSS SECTION
DOOR INSTALLATION - 2X BUCK/WOOD FRAMING



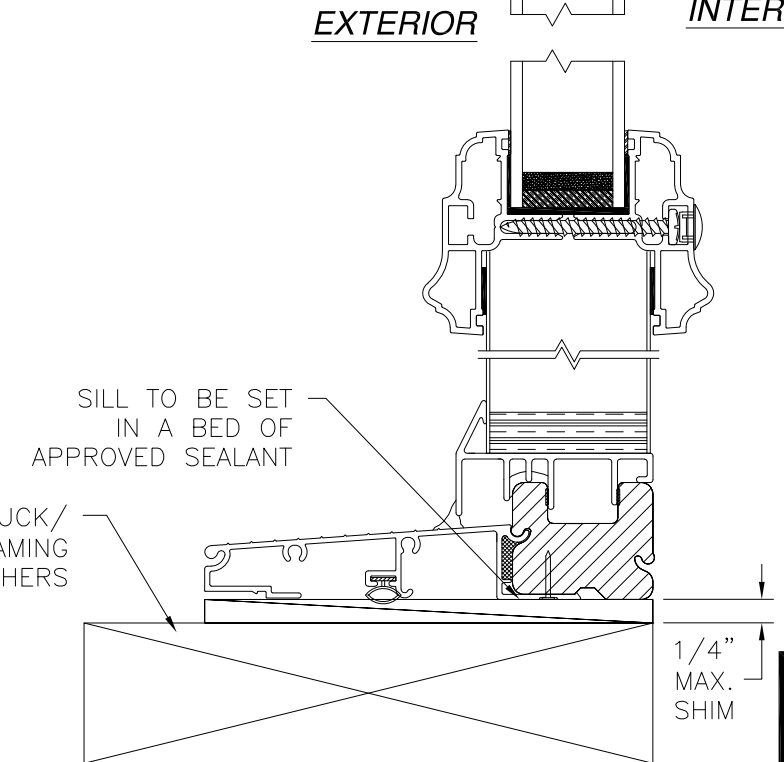
VERTICAL CROSS SECTION
SIDELITE INSTALLATION 2X BUCK/WOOD FRAMING



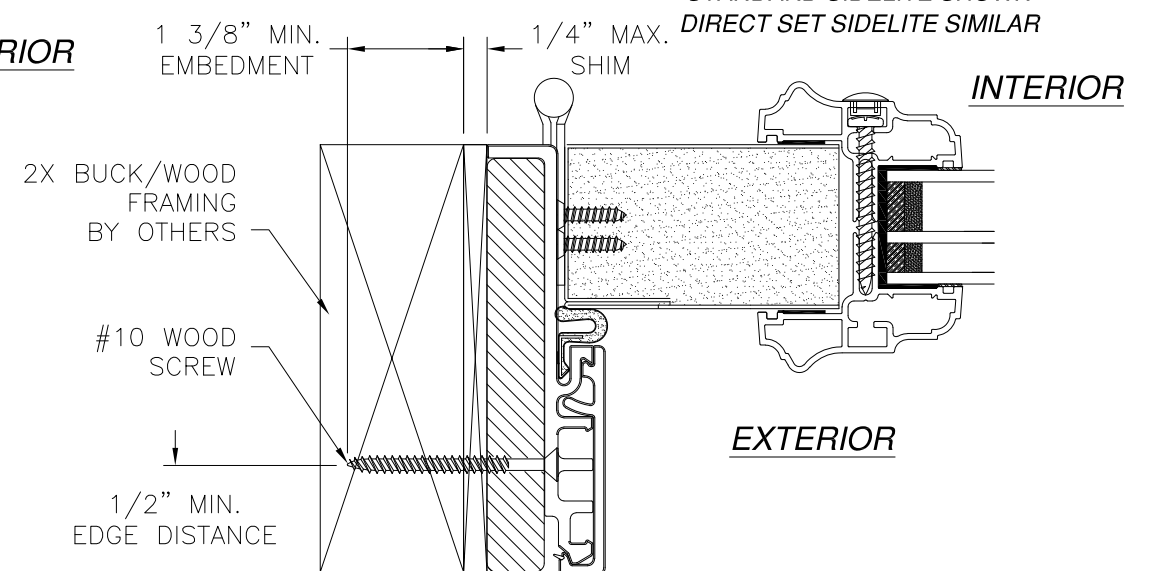
HORIZONTAL CROSS SECTION
SIDELITE INSTALLATION 2X BUCK/WOOD FRAMING
STANDARD SIDELITE SHOWN
DIRECT SET SIDELITE SIMILAR



VERTICAL CROSS SECTION
DOOR INSTALLATION - 2X BUCK/WOOD FRAMING



VERTICAL CROSS SECTION
SIDELITE INSTALLATION 2X BUCK/WOOD FRAMING
STANDARD SIDELITE SHOWN
DIRECT SET SIDELITE SIMILAR



HORIZONTAL CROSS SECTION
DOOR INSTALLATION - 2X BUCK/WOOD FRAMING

- NOTES:**
- INTERIOR AND EXTERIOR FINISHES, BY OTHERS, NOT SHOWN FOR CLARITY.
 - PERIMETER AND JOINT SEALANT BY OTHERS TO BE DESIGNED IN ACCORDANCE WITH ASTM E2112

SIGNED: 08/26/2021

PROVIA, LLC.
2150 STATE ROUTE 39 WEST
SUGARCREEK, OH 44681

STEEL/FIBERGLASS INSWING GLAZED DOUBLE DOOR
W/SIDELITES NON-IMPACT
INSTALLATION DETAILS W/FUSION FRAME

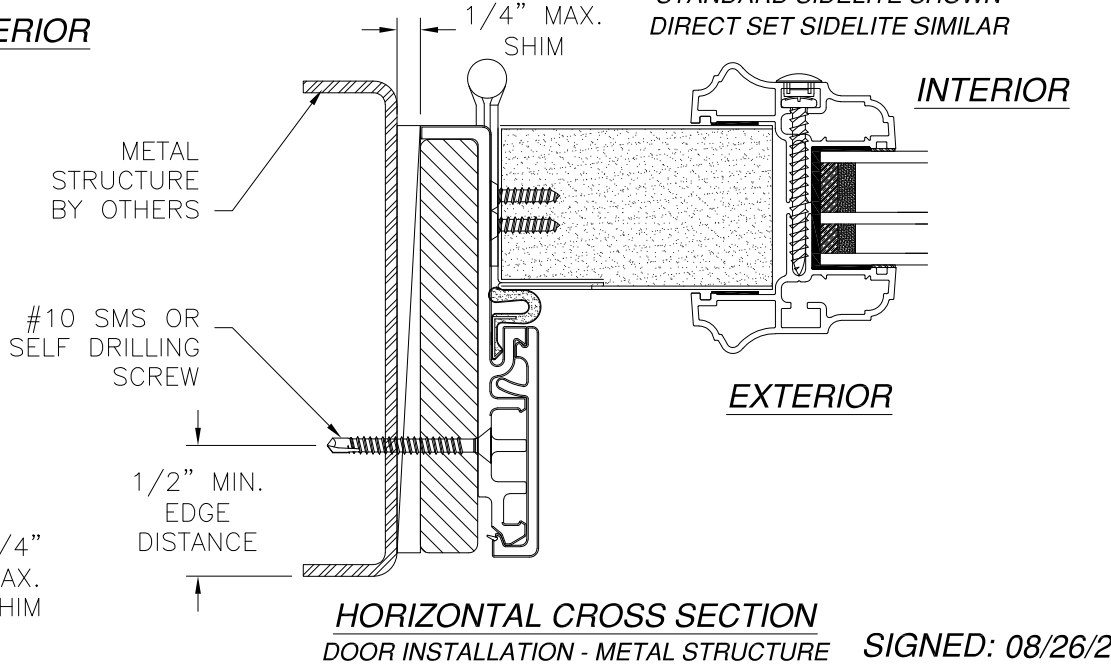
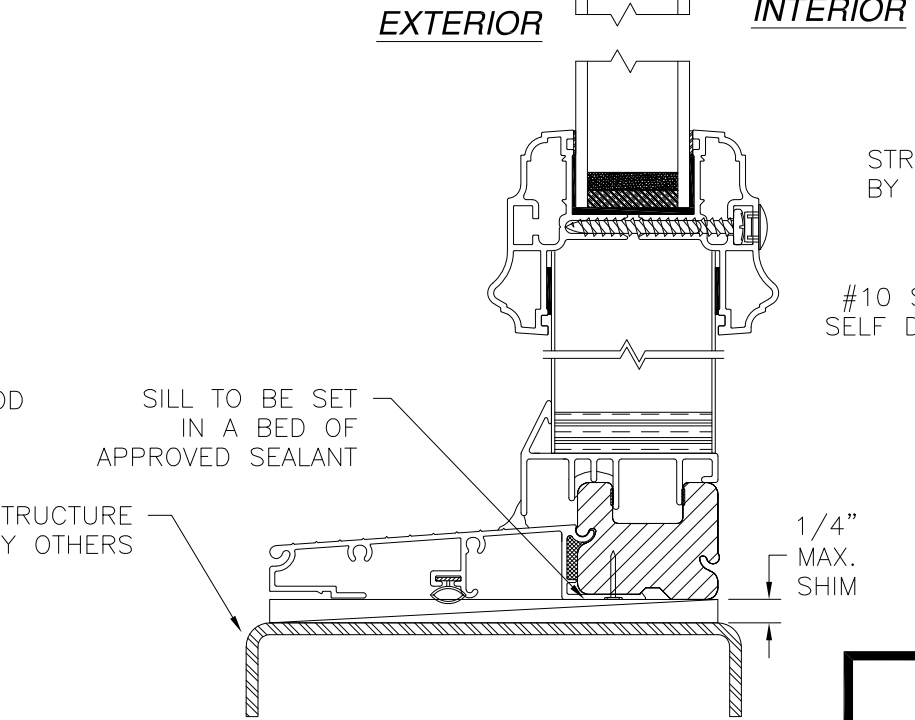
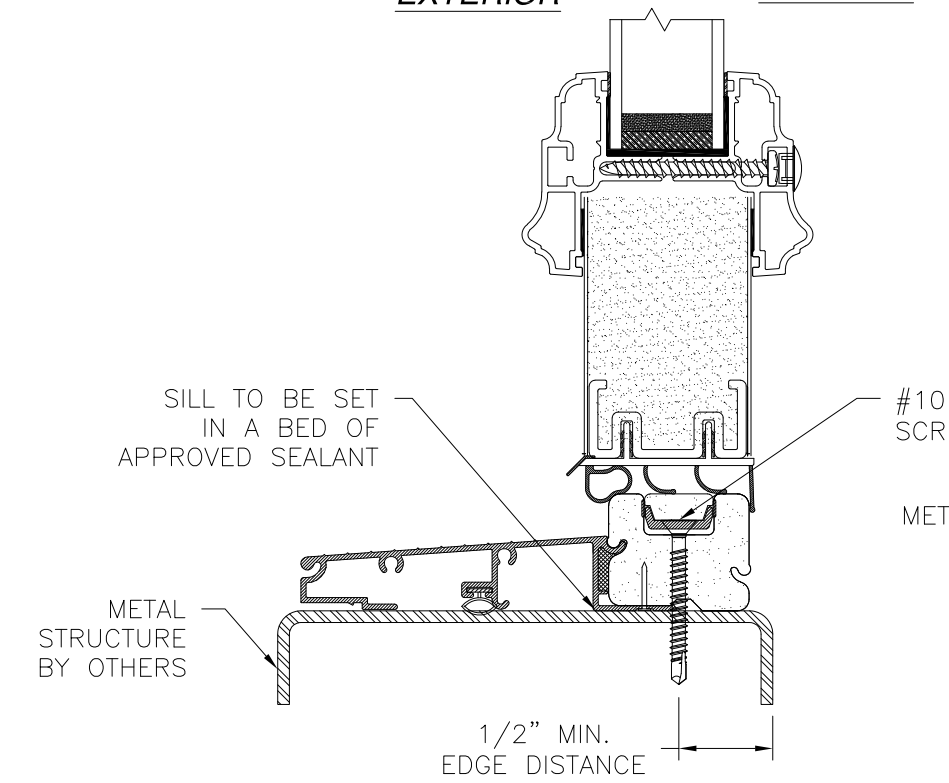
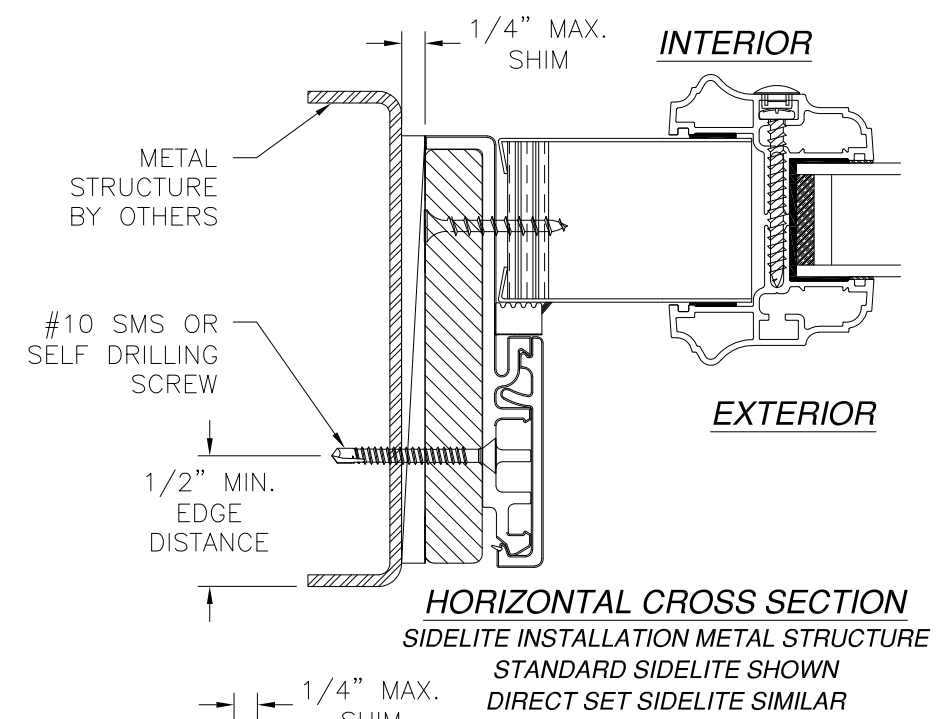
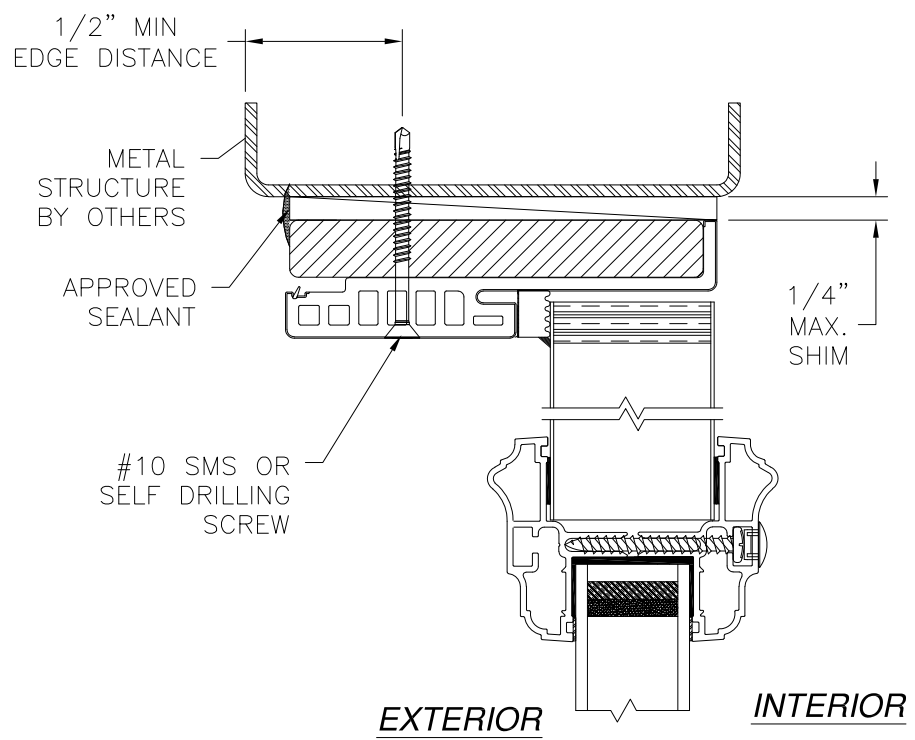
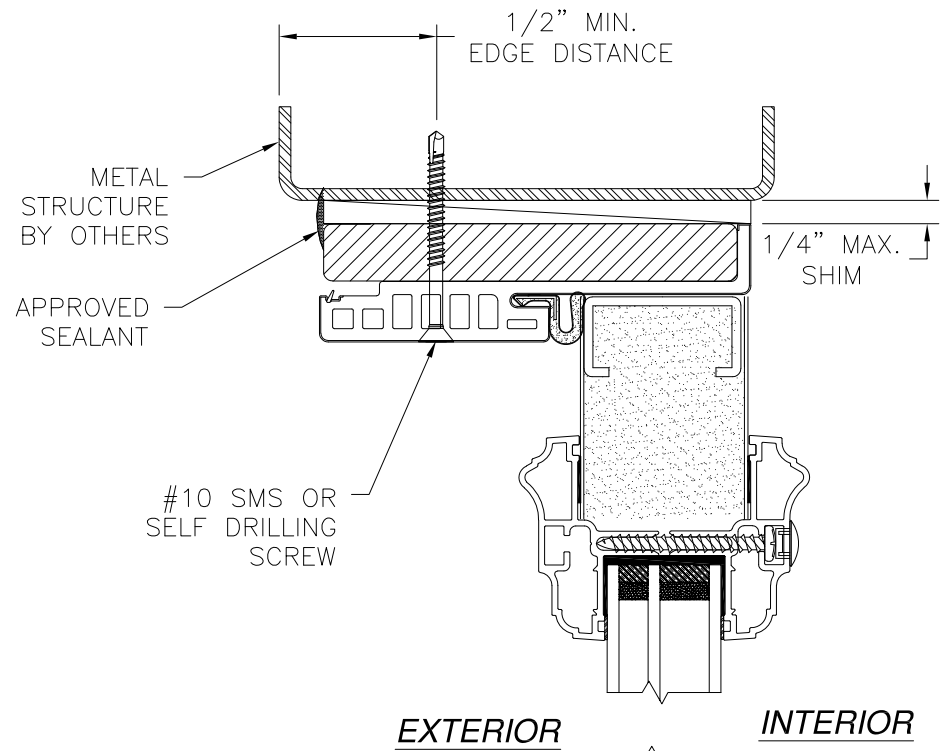
| | | |
|----------------|---------------------|------------------|
| DRAWN: V.L. | DWG NO. 08-02070 | REV J |
| SCALE NTS | DATE 06/19/13 | SHEET 8 OF 16 |

L. ROBERTO LOMAS P.E.
1432 WOODFORD RD LEWISVILLE, NC 27023
434-688-0609 rllomas@rlomaspe.com



Luis R. Lomas P.E.
FL No.: 62514

| REVISIONS | | | |
|-----------|------------------------|------------|----------|
| REV | DESCRIPTION | DATE | APPROVED |
| J | ADDED GLAZED FIR TRIMS | 08/26/2021 | R.L. |



VERTICAL CROSS SECTION
DOOR INSTALLATION - METAL STRUCTURE

VERTICAL CROSS SECTION
SIDELITE INSTALLATION METAL STRUCTURE
STANDARD SIDELITE SHOWN
DIRECT SET SIDELITE SIMILAR

HORIZONTAL CROSS SECTION
DOOR INSTALLATION - METAL STRUCTURE
SIGNED: 08/26/2021

- NOTES:**
1. INTERIOR AND EXTERIOR FINISHES, BY OTHERS, NOT SHOWN FOR CLARITY.
 2. PERIMETER AND JOINT SEALANT BY OTHERS TO BE DESIGNED IN ACCORDANCE WITH ASTM E2112

PROVIA, LLC.
2150 STATE ROUTE 39 WEST
SUGARCREEK, OH 44681

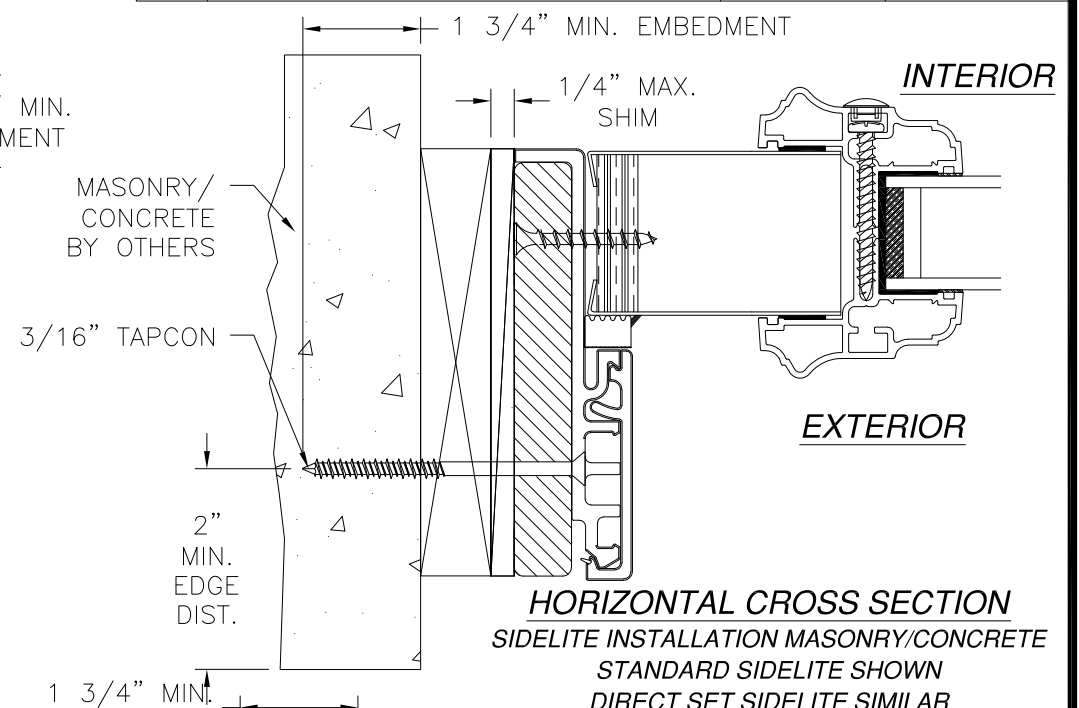
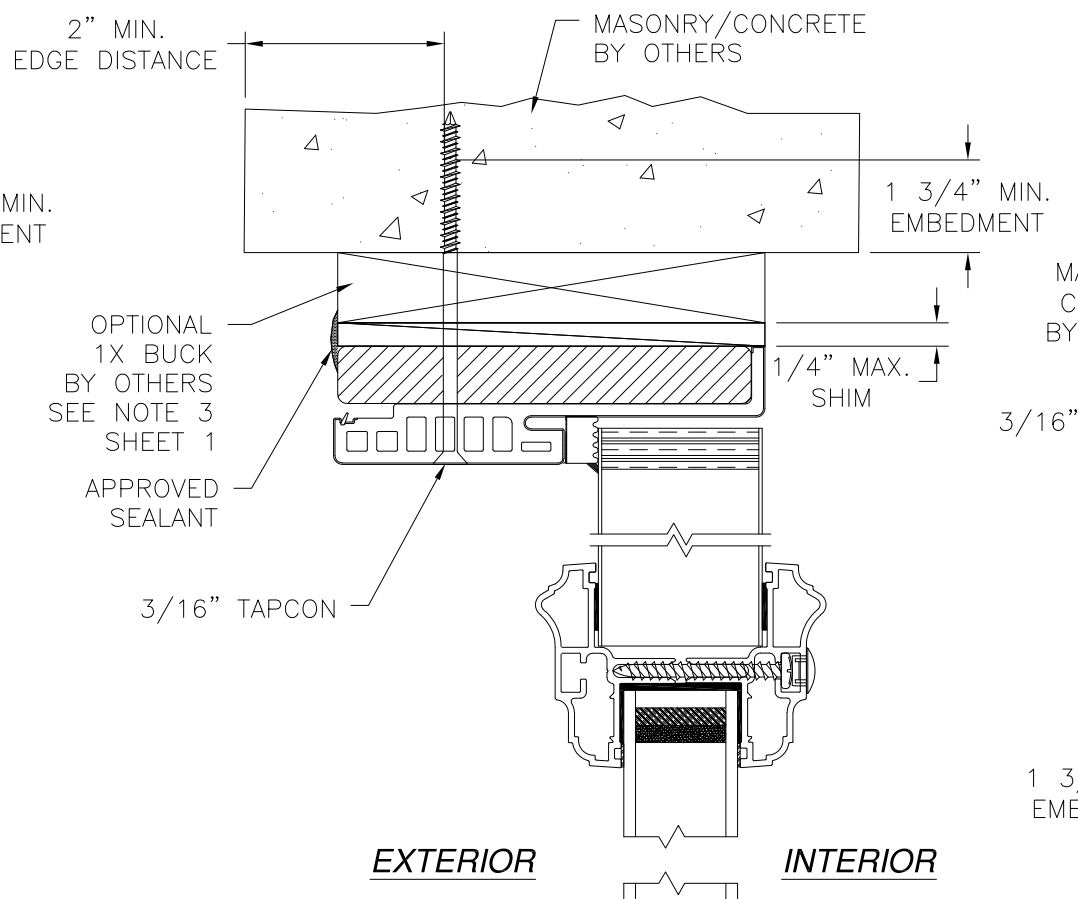
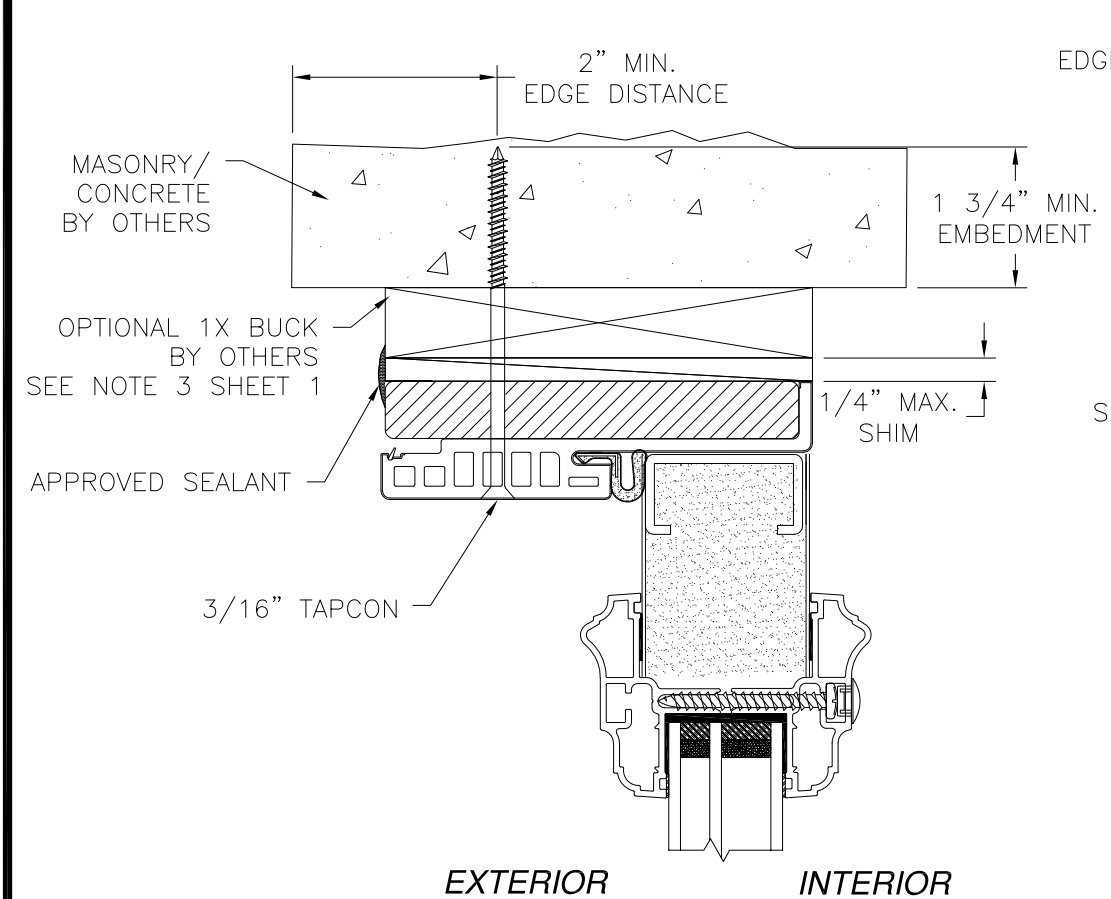
STEEL/FIBERGLASS INSWING GLAZED DOUBLE DOOR
W/SIDELITES NON-IMPACT
INSTALLATION DETAILS W/FUSION FRAME

| | | |
|----------------|---------------------|------------------|
| DRAWN: V.L. | DWG NO. 08-02070 | REV J |
| SCALE NTS | DATE 06/19/13 | SHEET 9 OF 16 |

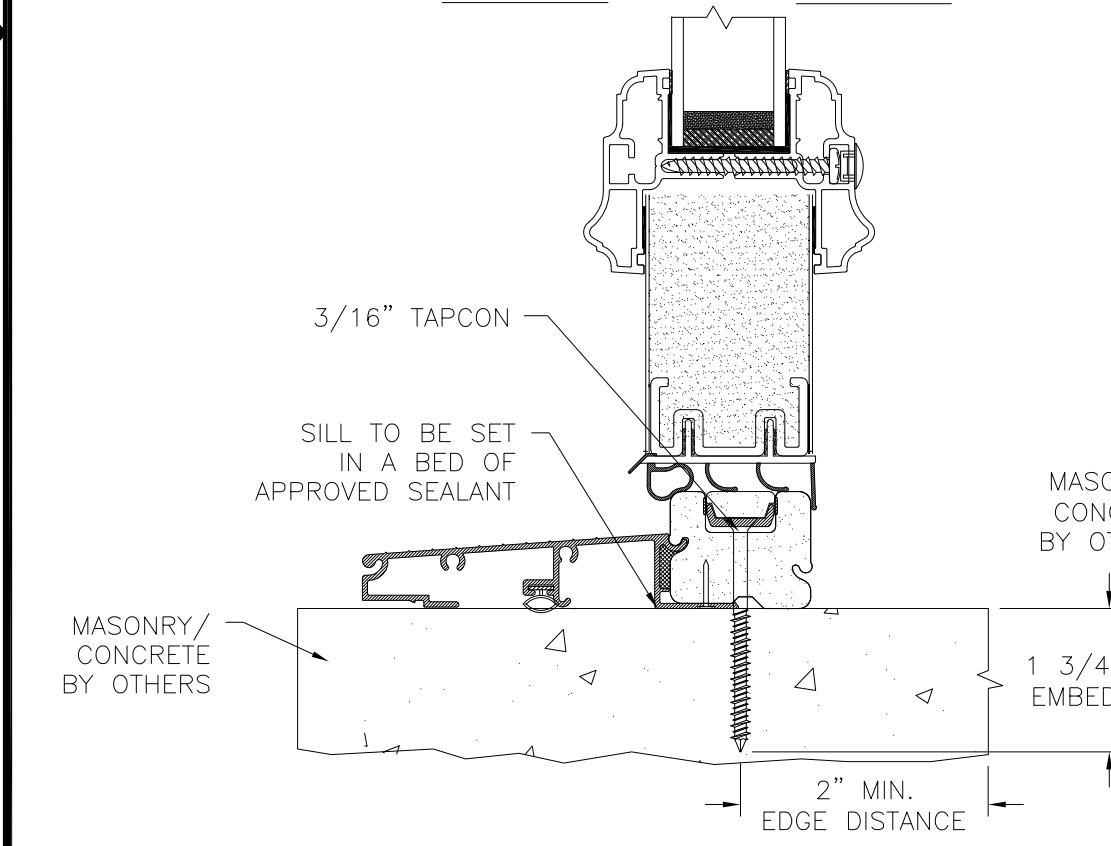
L. ROBERTO LOMAS P.E.
1432 WOODFORD RD LEWISVILLE, NC 27023
434-688-0609 rllomas@rlomaspe.com

Luis R. Lomas P.E.
FL No.: 62514

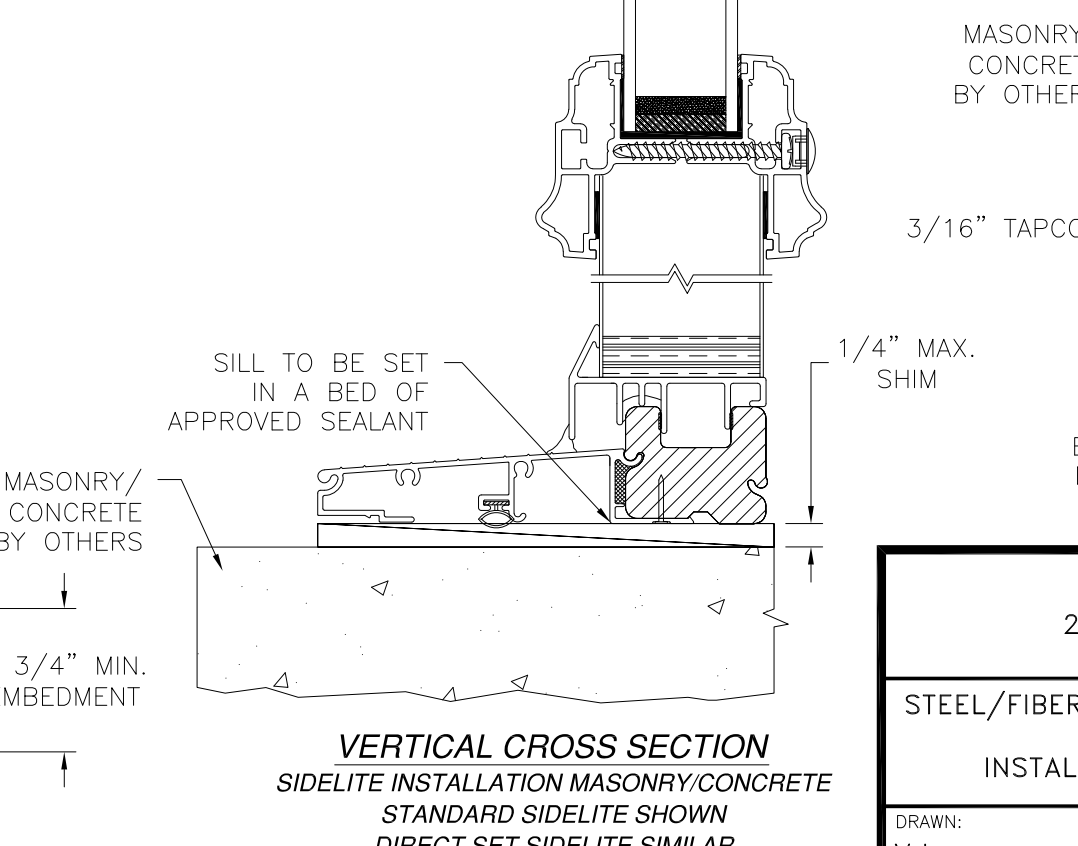
| REVISIONS | | | |
|-----------|------------------------|------------|----------|
| REV | DESCRIPTION | DATE | APPROVED |
| J | ADDED GLAZED FIR TRIMS | 08/26/2021 | R.L. |



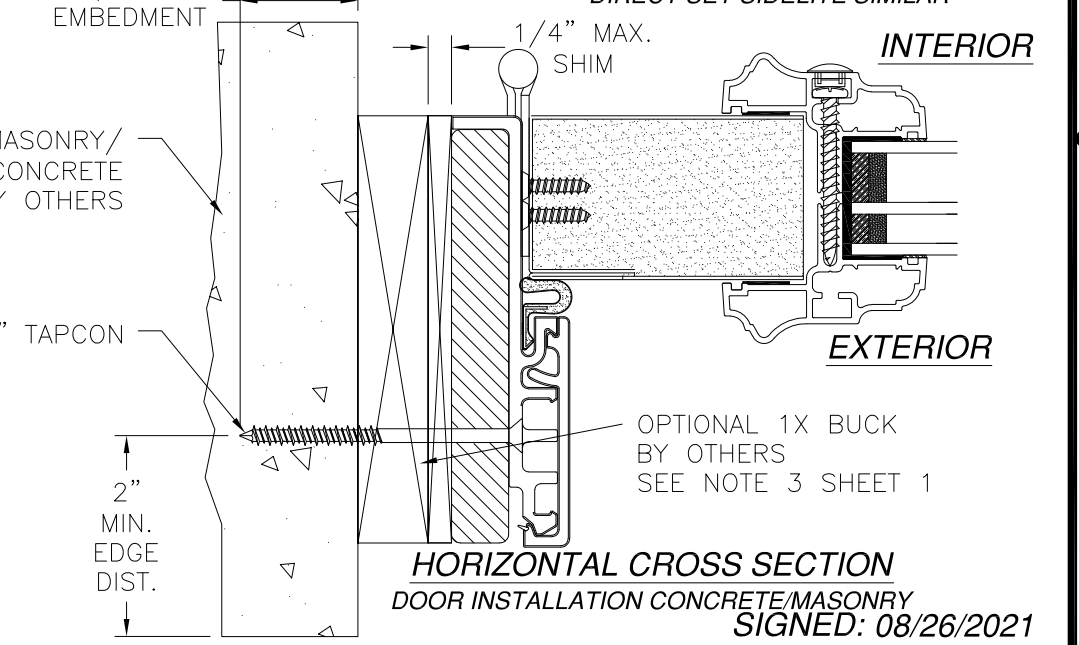
HORIZONTAL CROSS SECTION
SIDELITE INSTALLATION MASONRY/CONCRETE
STANDARD SIDELITE SHOWN
DIRECT SET SIDELITE SIMILAR



VERTICAL CROSS SECTION
DOOR INSTALLATION MASONRY/CONCRETE



VERTICAL CROSS SECTION
SIDELITE INSTALLATION MASONRY/CONCRETE
STANDARD SIDELITE SHOWN
DIRECT SET SIDELITE SIMILAR



HORIZONTAL CROSS SECTION
DOOR INSTALLATION CONCRETE/MASONRY
SIGNED: 08/26/2021

- NOTES:
1. INTERIOR AND EXTERIOR FINISHES, BY OTHERS, NOT SHOWN FOR CLARITY.
 2. PERIMETER AND JOINT SEALANT BY OTHERS TO BE DESIGNED IN ACCORDANCE WITH ASTM E2112

PROVIA, LLC.
2150 STATE ROUTE 39 WEST
SUGARCREEK, OH 44681

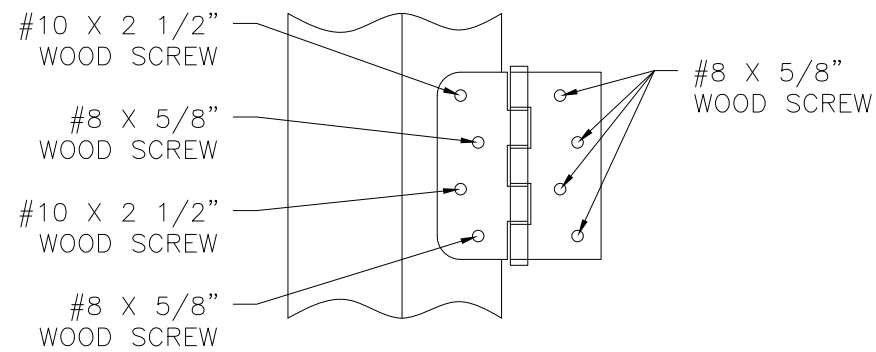
STEEL/FIBERGLASS INSWING GLAZED DOUBLE DOOR
W/SIDELITES NON-IMPACT
INSTALLATION DETAILS W/FUSION FRAME

| | | |
|----------------|---------------------|-------------------|
| DRAWN: V.L. | DWG NO. 08-02070 | REV J |
| SCALE NTS | DATE 06/19/13 | SHEET 10 OF 16 |

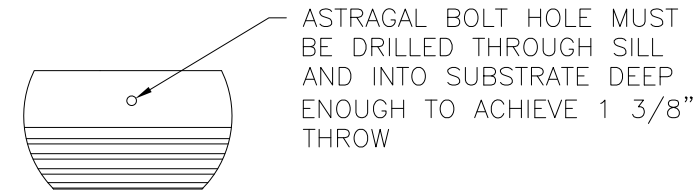
L. ROBERTO LOMAS P.E.
1432 WOODFORD RD LEWISVILLE, NC 27023
434-688-0609 rllomas@rlomaspe.com

Luis R. Lomas P.E.
FL No.: 62514

| REVISIONS | | | |
|-----------|------------------------|------------|----------|
| REV | DESCRIPTION | DATE | APPROVED |
| J | ADDED GLAZED FIR TRIMS | 08/26/2021 | R.L. |

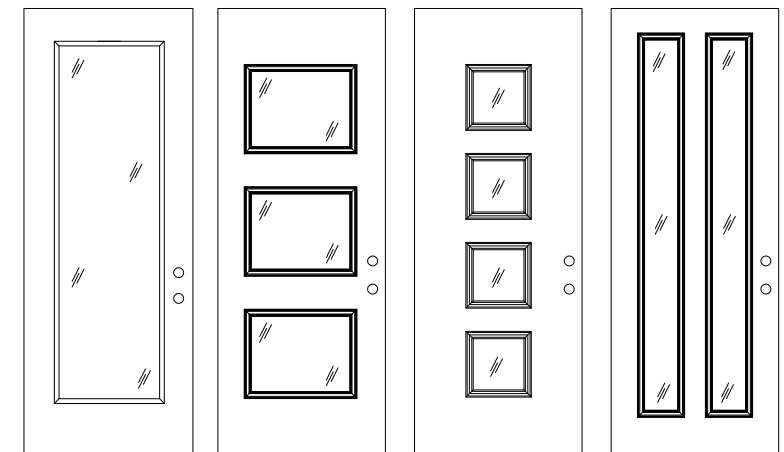


HINGE INSTALLATION DETAIL
2X BUCK/WOOD FRAMING



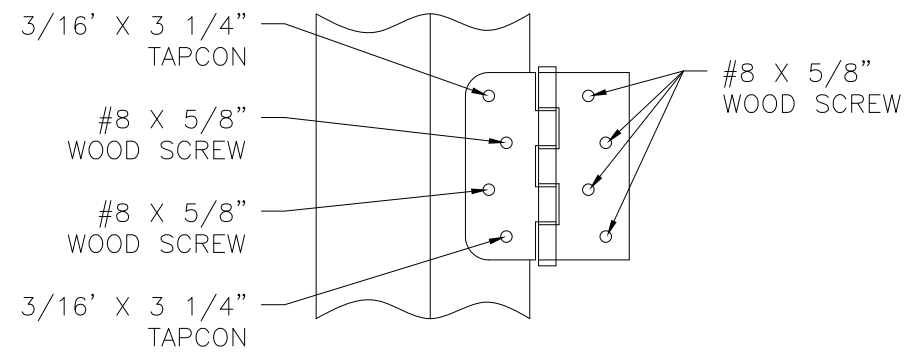
ASTRAGAL SILL DETAIL

APPROVED LITE CONFIGURATIONS

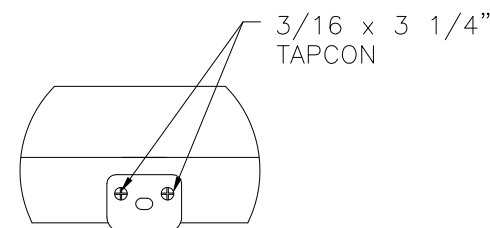


FULL LITE 3 LITE 4 LITE 2 LITE

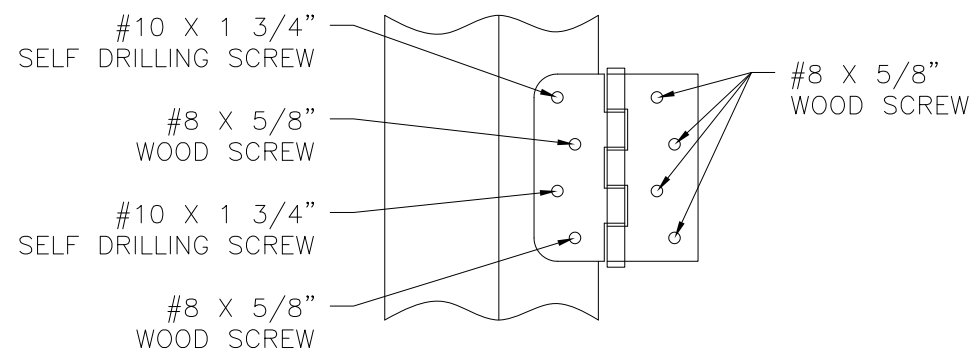
LITE CONFIGURATIONS SHOWN ARE FOR REFERENCE ONLY. MULTIPLE LITE CONFIGURATIONS ARE APPROVED AS LONG AS LITE SIZE DOES NOT EXCEED 11.5 FT²



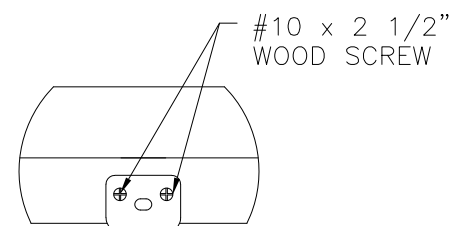
HINGE INSTALLATION DETAIL
MASONRY/CONCRETE



ASTRAGAL HEAD STRIKE DETAIL
MASONRY/CONCRETE



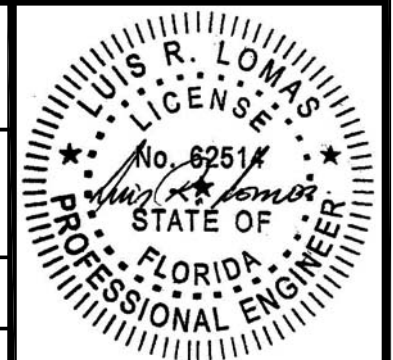
HINGE INSTALLATION DETAIL
METAL STRUCTURE



ASTRAGAL HEAD STRIKE DETAIL
2X BUCK/WOOD FRAMING

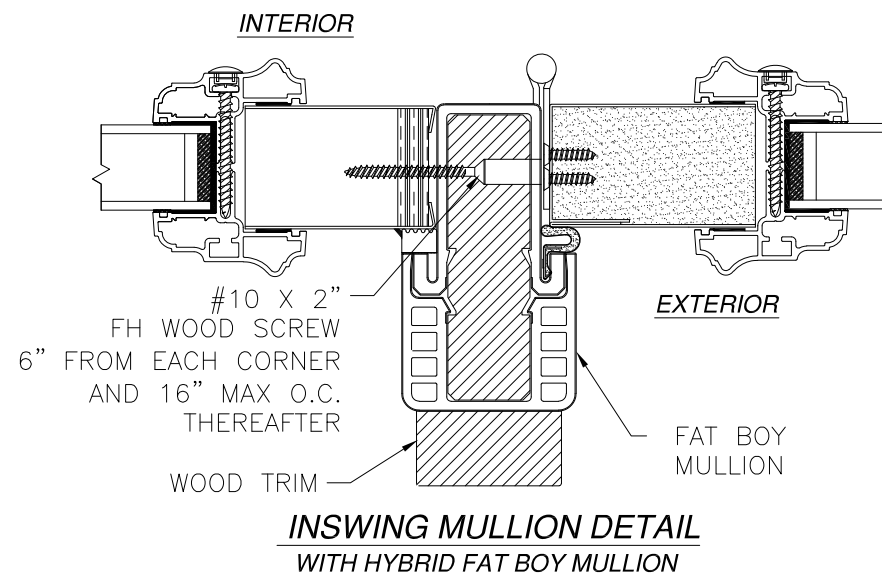
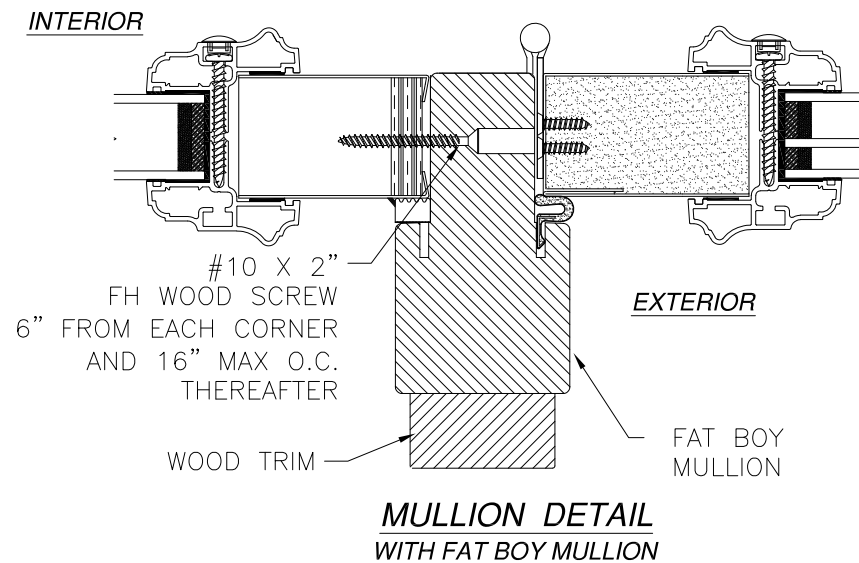
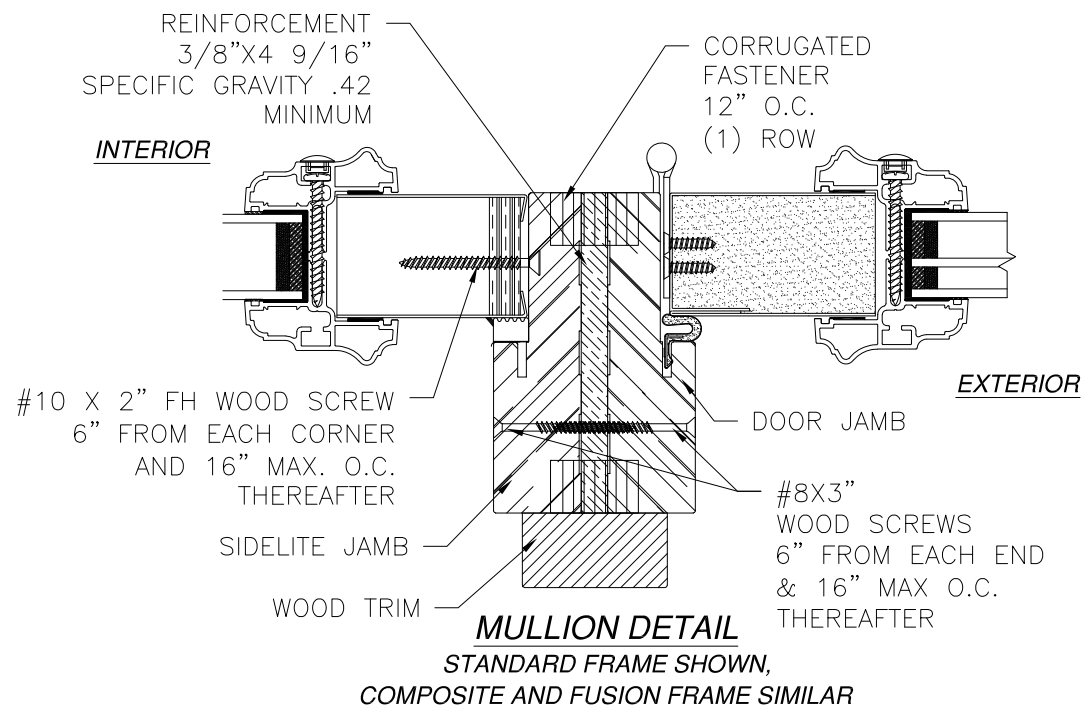
SIGNED: 08/26/2021

| | | |
|---|---------------------|-------------------|
| PROVIA, LLC. 2150 STATE ROUTE 39 WEST SUGARCREEK, OH 44681 | | |
| STEEL/FIBERGLASS INSWING GLAZED DOUBLE DOOR W/SIDELITES NON-IMPACT INSTALLATION DETAILS & APPROVED CONFIGURATIONS | | |
| DRAWN: V.L. | DWG NO. 08-02070 | REV J |
| SCALE NTS | DATE 06/19/13 | SHEET 11 OF 16 |
| L. ROBERTO LOMAS P.E. 1432 WOODFORD RD LEWISVILLE, NC 27023 434-688-0609 rllomas@lrlomaspe.com | | |



Luis R. Lomas P.E.
FL No.: 62514

| REVISIONS | | | |
|-----------|------------------------|------------|----------|
| REV | DESCRIPTION | DATE | APPROVED |
| J | ADDED GLAZED FIR TRIMS | 08/26/2021 | R.L. |



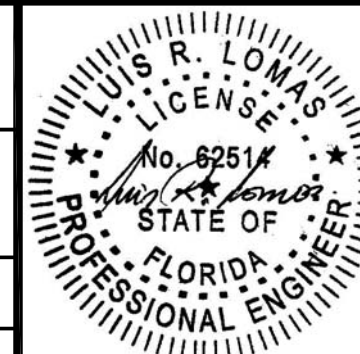
PROVIA, LLC.
2150 STATE ROUTE 39 WEST
SUGARCREEK, OH 44681

STEEL/FIBERGLASS INSWING GLAZED DOUBLE DOOR
W/SIDELITES NON-IMPACT
MULLION DETAILS

| | | |
|----------------|---------------------|----------------|
| DRAWN: V.L. | DWG NO. 08-02070 | REV J |
| SCALE NTS | DATE 06/19/13 | SHEET 12 OF 16 |

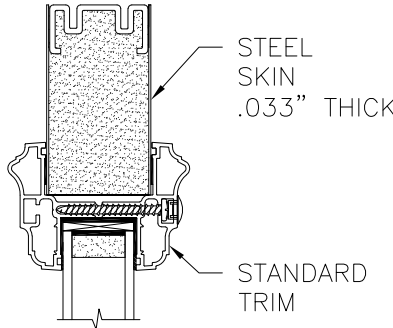
L. ROBERTO LOMAS P.E.
1432 WOODFORD RD LEWISVILLE, NC 27023
434-688-0609 rllomas@lrlomaspe.com

SIGNED: 08/26/2021

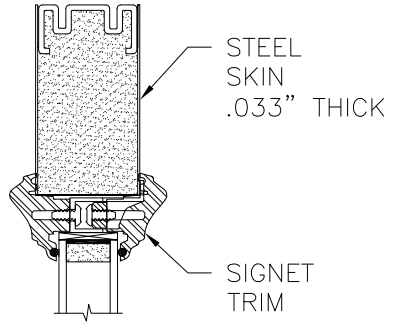


Luis R. Lomas P.E.
FL No.: 62514

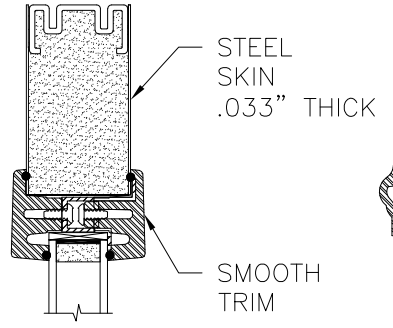
| REVISIONS | | | |
|-----------|------------------------|------------|----------|
| REV | DESCRIPTION | DATE | APPROVED |
| J | ADDED GLAZED FIR TRIMS | 08/26/2021 | R.L. |



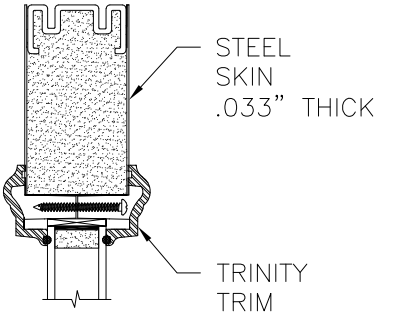
OPTION 1
STANDARD TRIM



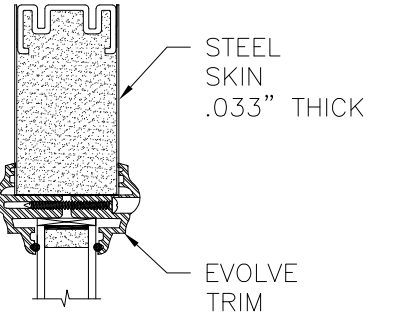
OPTION 2
SIGNET TRIM



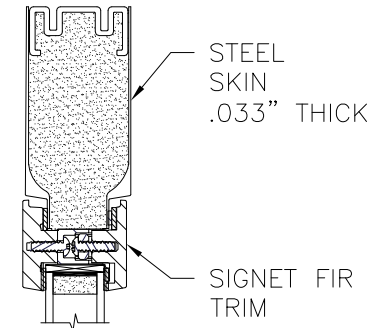
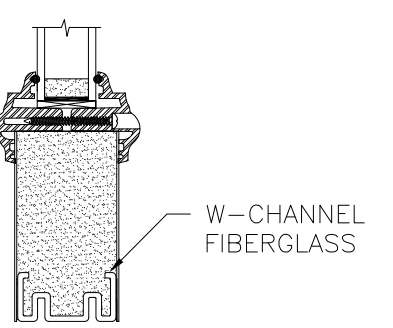
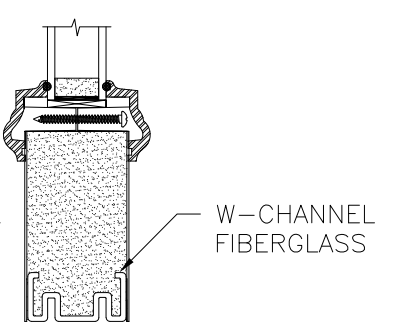
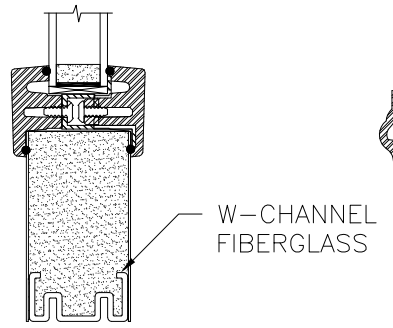
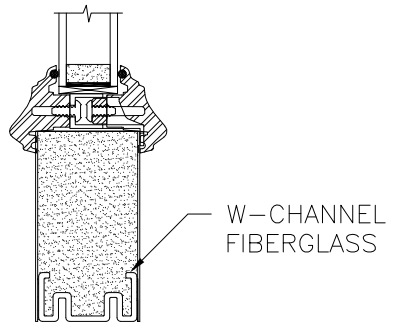
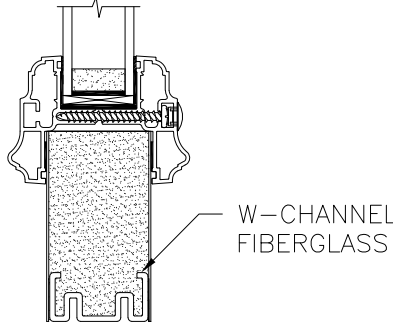
OPTION 3
SMOOTH TRIM



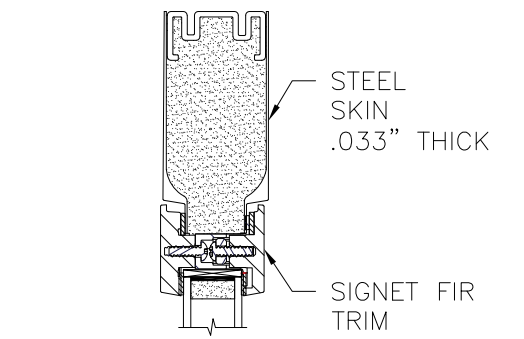
OPTION 4
TRINITY TRIM



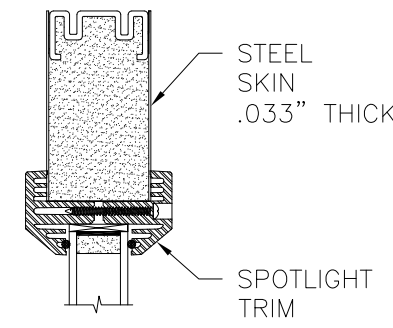
OPTION 5
EVOLVE TRIM



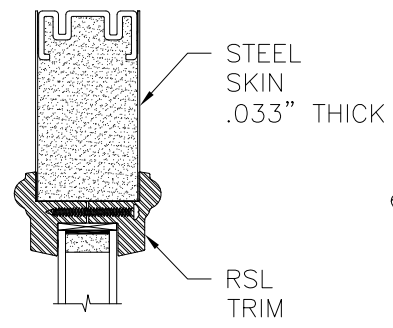
OPTION 11
SIGNET FIR TRIM



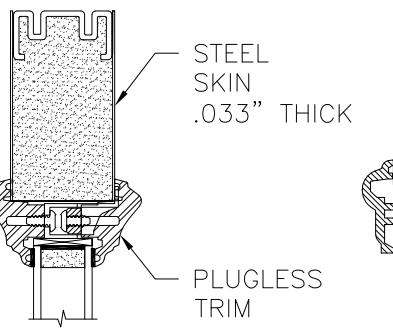
OPTION 12
SIGNET FIR &
DENTIL SHELF TRIM



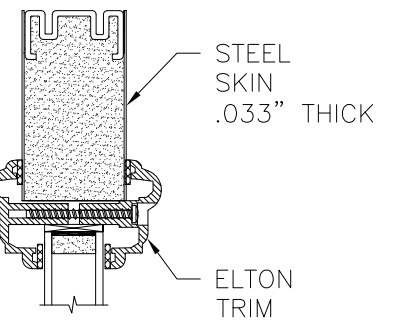
OPTION 6
SPOTLIGHT TRIM



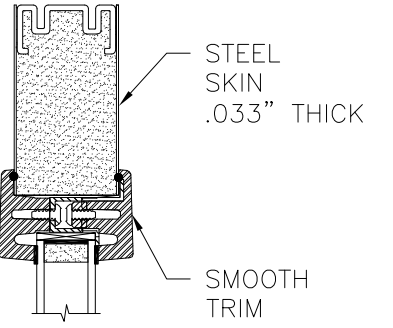
OPTION 7
RSL TRIM



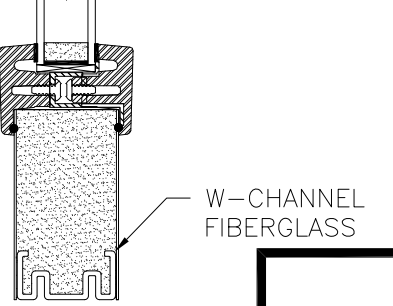
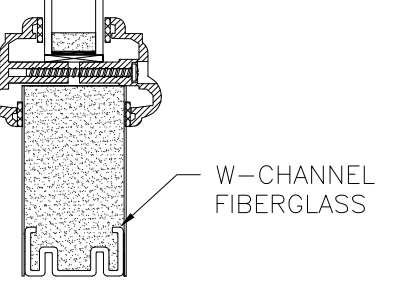
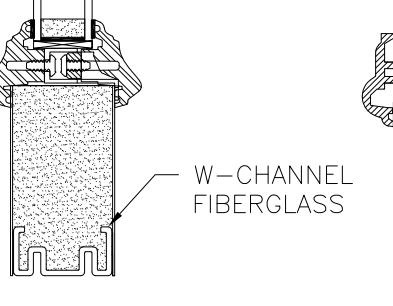
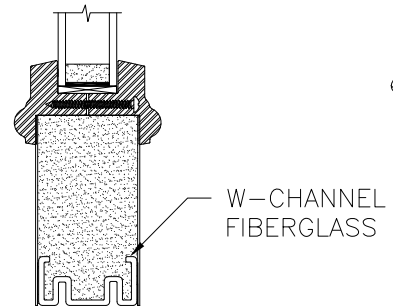
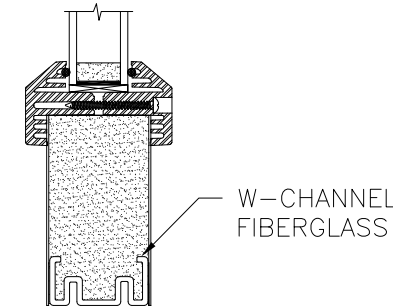
OPTION 8
PLUGLESS TRIM
W/TAPE



OPTION 9
ELTON TRIM



OPTION 10
SMOOTH TRIM
W/TAPE



APPROVED SLABS AND TRIMS

PROVIA, LLC.
2150 STATE ROUTE 39 WEST
SUGARCREEK, OH 44681

STEEL/FIBERGLASS INSWING GLAZED DOUBLE DOOR
W/SIDELITES NON-IMPACT
APPROVED SLABS AND TRIMS

| | | |
|----------------|---------------------|----------------|
| DRAWN: V.L. | DWG NO. 08-02070 | REV J |
| SCALE NTS | DATE 06/19/13 | SHEET 13 OF 16 |

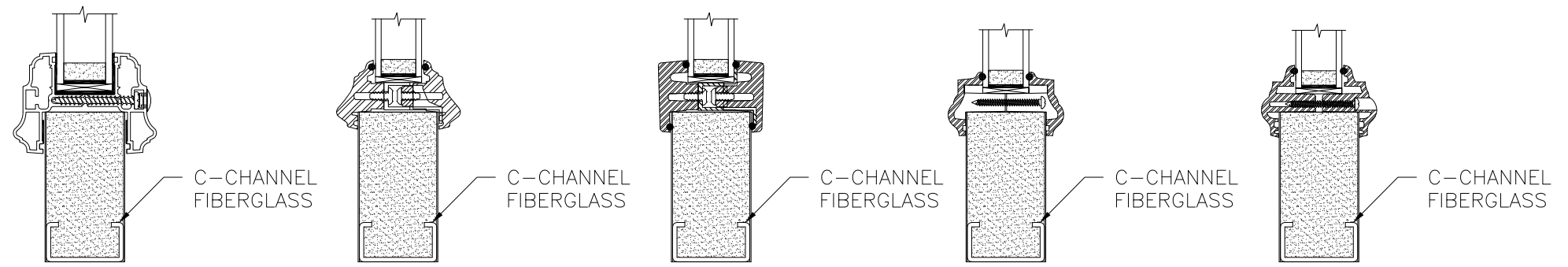
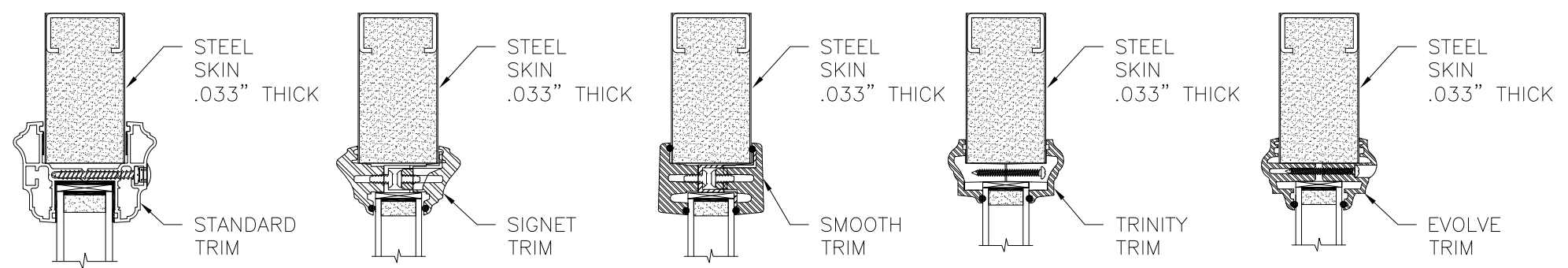
L. ROBERTO LOMAS P.E.
1432 WOODFORD RD LEWISVILLE, NC 27023
434-688-0609 rllomas@rlomaspe.com

SIGNED: 08/26/2021



Luis R. Lomas P.E.
FL No.: 62514

| REVISIONS | | | |
|-----------|------------------------|------------|----------|
| REV | DESCRIPTION | DATE | APPROVED |
| J | ADDED GLAZED FIR TRIMS | 08/26/2021 | R.L. |



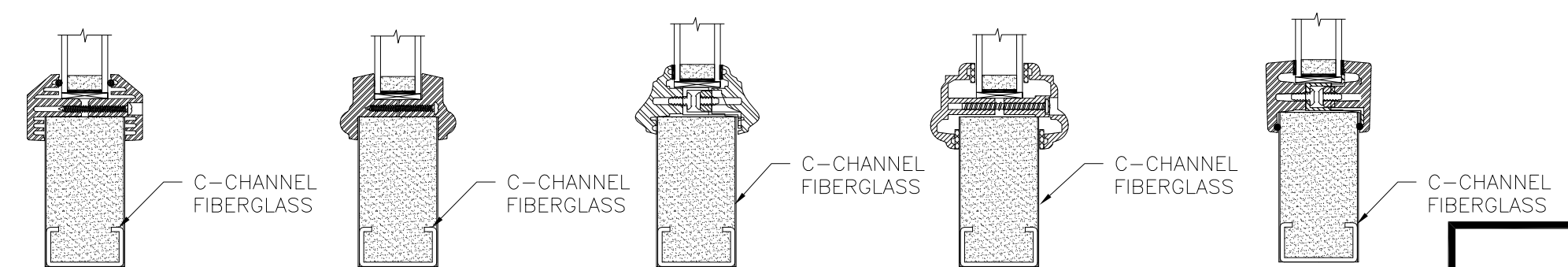
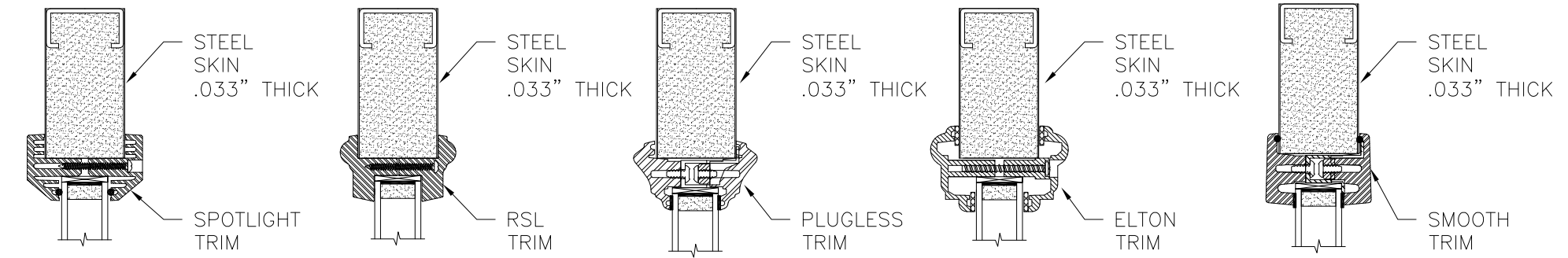
OPTION 13
STANDARD TRIM

OPTION 14
SIGNET TRIM

OPTION 15
SMOOTH TRIM

OPTION 16
TRINITY TRIM

OPTION 17
EVOLVE TRIM



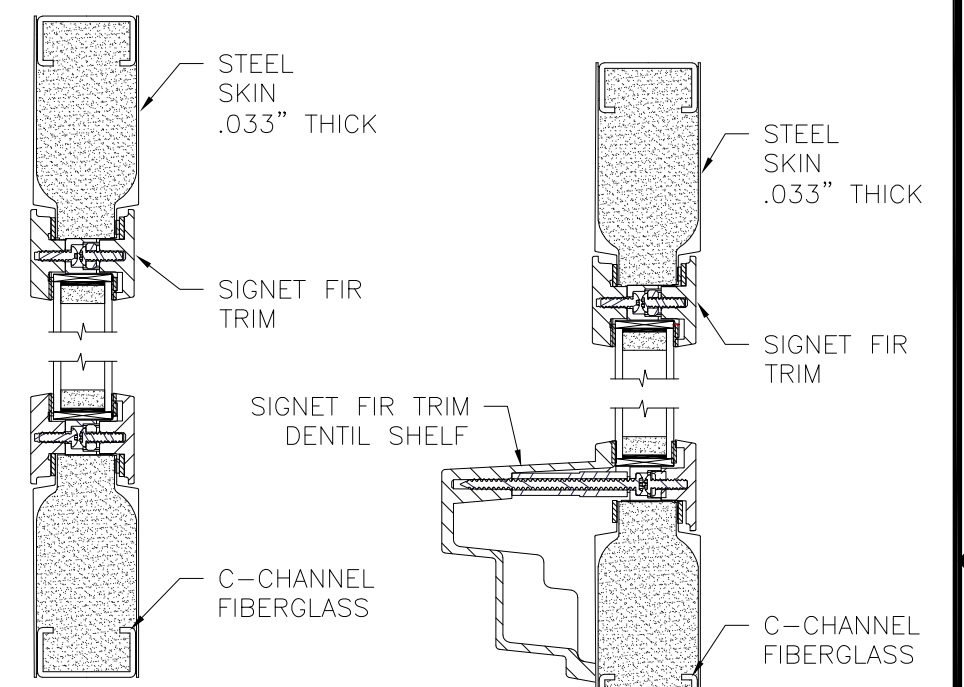
OPTION 18
SPOTLIGHT TRIM

OPTION 19
RSL TRIM

OPTION 20
PLUGLESS TRIM
W/TAPE

OPTION 21
ELTON TRIM

OPTION 22
SMOOTH TRIM
W/TAPE



OPTION 23
SIGNET FIR TRIM

OPTION 24
SIGNET FIR &
DENTIL SHELF TRIM

APPROVED SLABS AND TRIMS

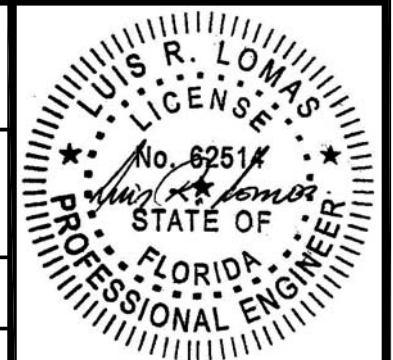
SIGNED: 08/26/2021

PROVIA, LLC.
2150 STATE ROUTE 39 WEST
SUGARCREEK, OH 44681

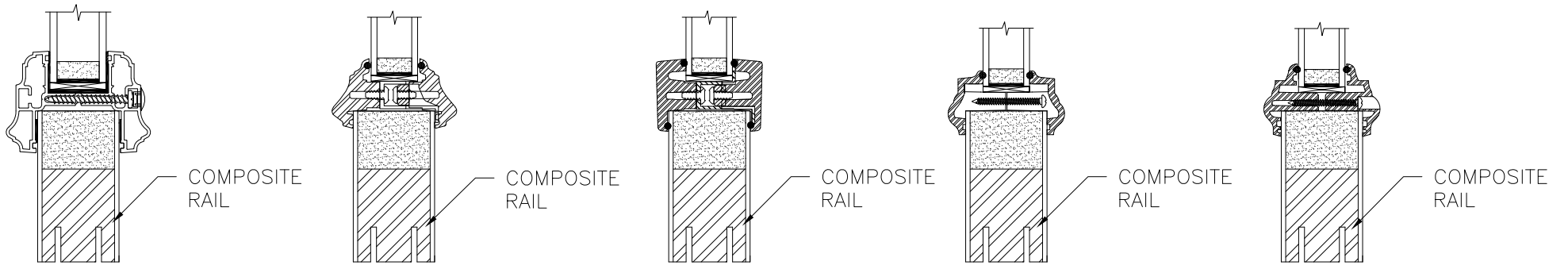
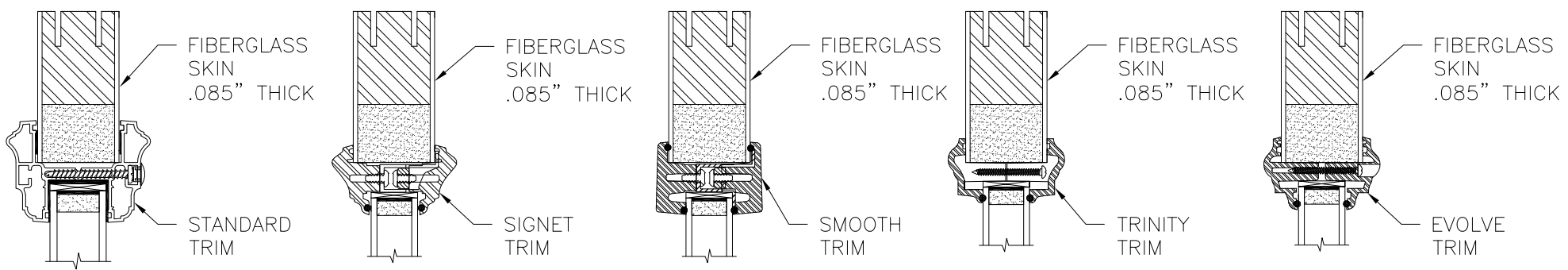
STEEL/FIBERGLASS INSWING GLAZED DOUBLE DOOR
W/SIDELITES NON-IMPACT
APPROVED SLABS AND TRIMS

| | | |
|----------------|---------------------|----------------|
| DRAWN: V.L. | DWG NO. 08-02070 | REV J |
| SCALE NTS | DATE 06/19/13 | SHEET 14 OF 16 |

L. ROBERTO LOMAS P.E.
1432 WOODFORD RD LEWISVILLE, NC 27023
434-688-0609 rllomas@rlomaspe.com



Luis R. Lomas P.E.
FL No.: 62514



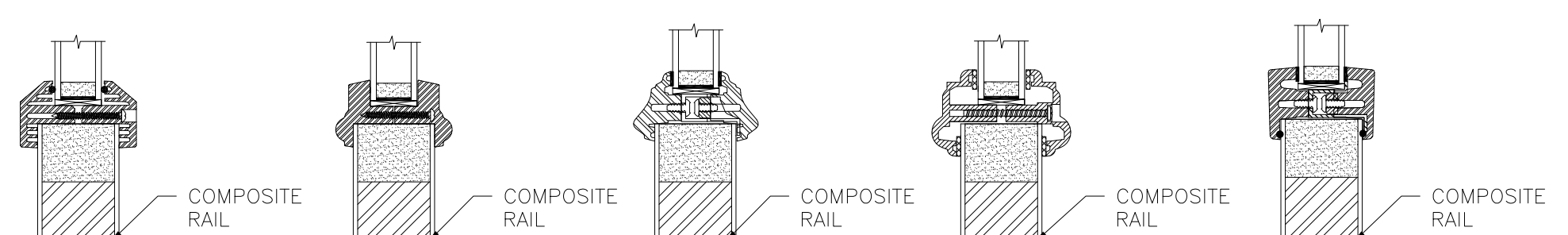
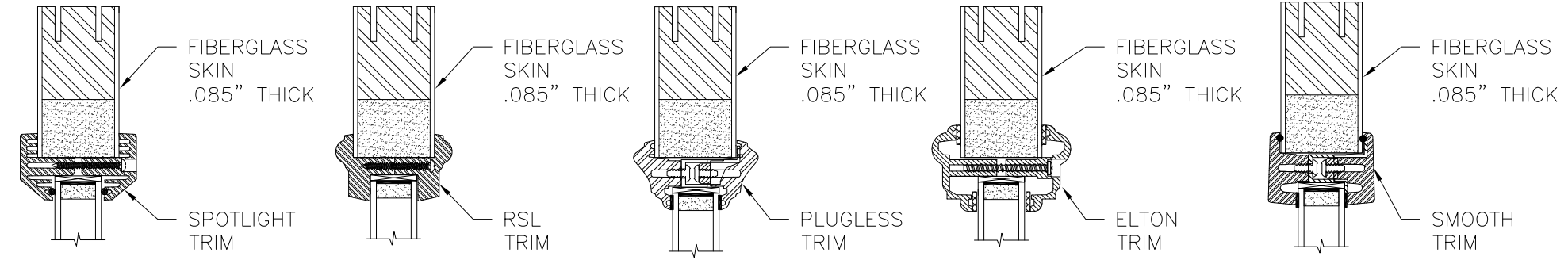
OPTION 25
STANDARD TRIM

OPTION 26
SIGNET TRIM

OPTION 27
SMOOTH TRIM

OPTION 28
TRINITY TRIM

OPTION 29
EVOLVE TRIM



OPTION 30
SPOTLIGHT TRIM

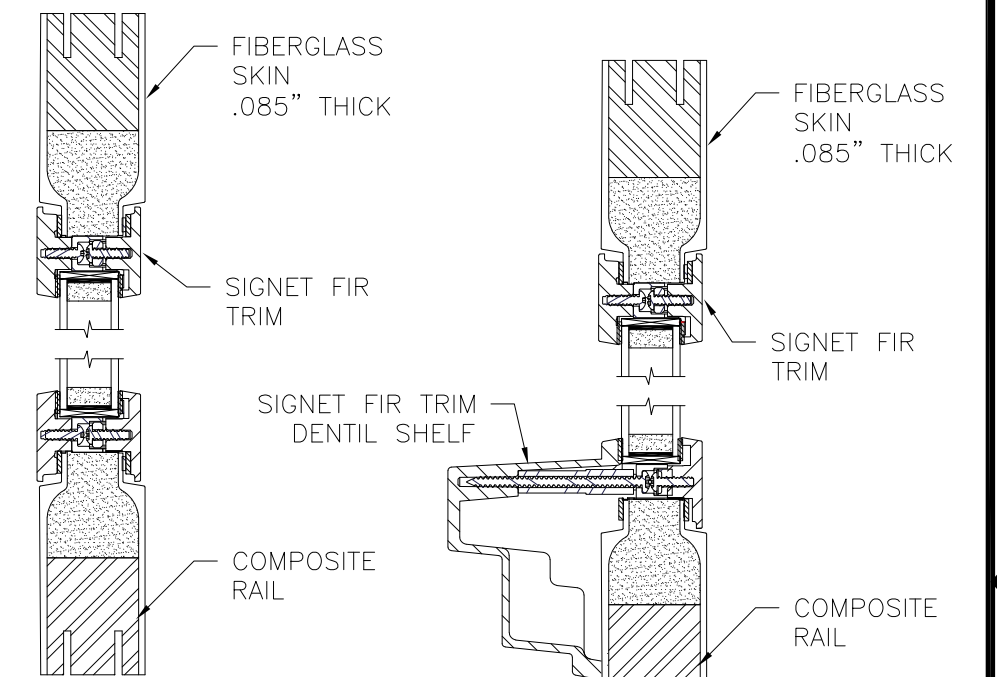
OPTION 31
RSL TRIM

OPTION 32
PLUGLESS TRIM
W/TAPE

OPTION 33
ELTON TRIM

OPTION 34
SMOOTH TRIM
W/TAPE

| REVISIONS | | | |
|-----------|------------------------|------------|----------|
| REV | DESCRIPTION | DATE | APPROVED |
| J | ADDED GLAZED FIR TRIMS | 08/26/2021 | R.L. |



OPTION 35
SIGNET FIR TRIM

OPTION 36
SIGNET FIR &
DENTIL SHELF TRIM

APPROVED SLABS AND TRIMS

SIGNED: 08/26/2021

PROVIA, LLC.
2150 STATE ROUTE 39 WEST
SUGARCREEK, OH 44681

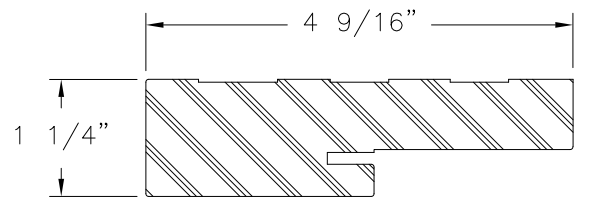
STEEL/FIBERGLASS INSWING GLAZED DOUBLE DOOR
W/SIDELITES NON-IMPACT
APPROVED SLABS AND TRIMS

| | | |
|----------------|---------------------|----------------|
| DRAWN: V.L. | DWG NO. 08-02070 | REV J |
| SCALE NTS | DATE 06/19/13 | SHEET 15 OF 16 |

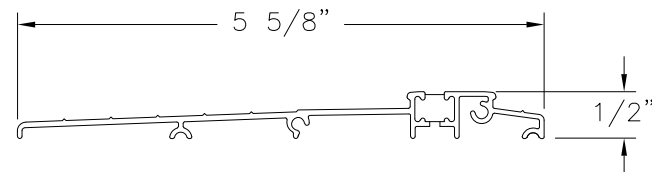
L. ROBERTO LOMAS P.E.
1432 WOODFORD RD LEWISVILLE, NC 27023
434-688-0609 rllomas@rlomaspe.com

Luis R. Lomas P.E.
FL No.: 62514

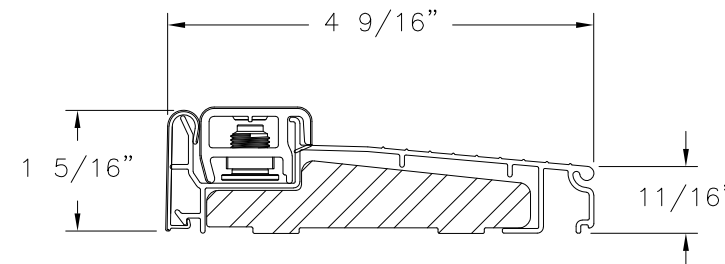
| REVISIONS | | | |
|-----------|------------------------|------------|----------|
| REV | DESCRIPTION | DATE | APPROVED |
| J | ADDED GLAZED FIR TRIMS | 08/26/2021 | R.L. |



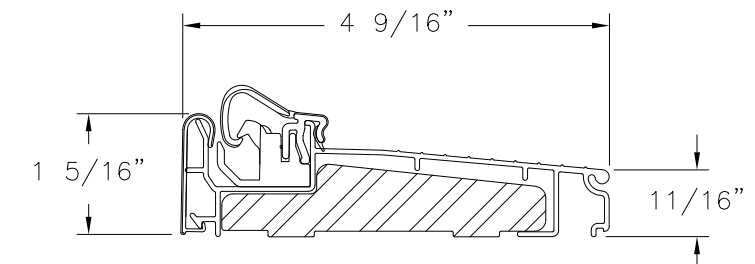
COMPOSITE FRAME PROFILE



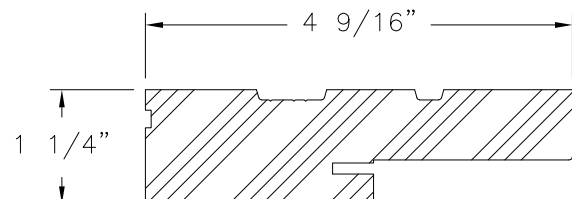
ADA THRESHOLD



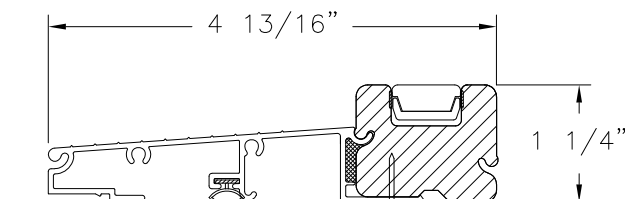
INSWING SILL ZAIL4565



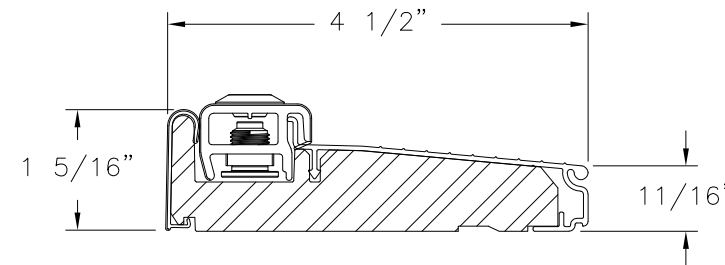
INSWING SILL ZAACL4565



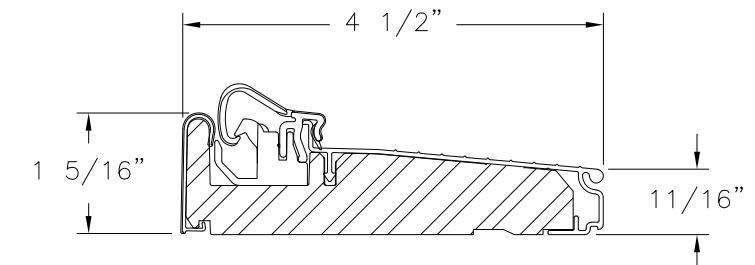
WOOD FRAME PROFILE



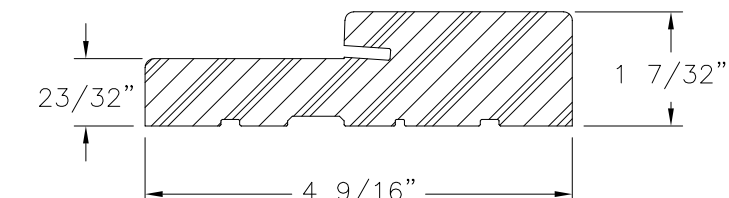
SAHARA INSWING THRESHOLD



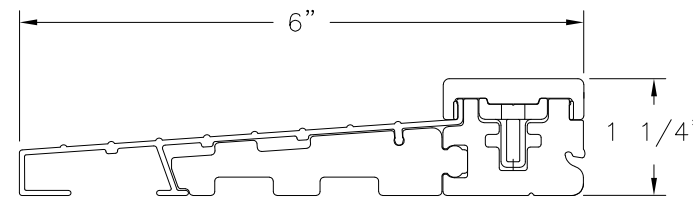
INSWING SILL ZAI4565F



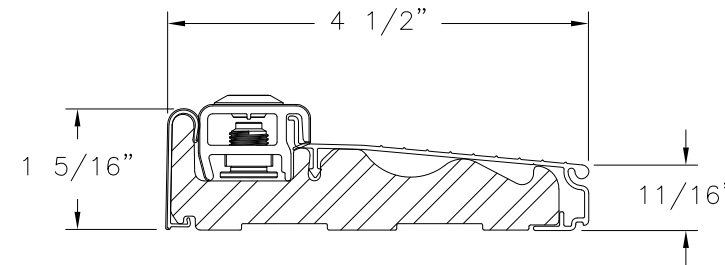
INSWING SILL ZAC4565F



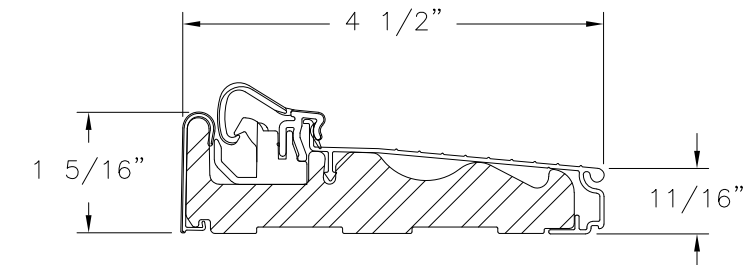
FRAMESAVER COMPOSITE



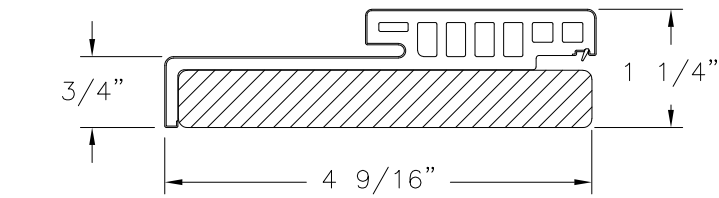
STANDARD INSWING THRESHOLD



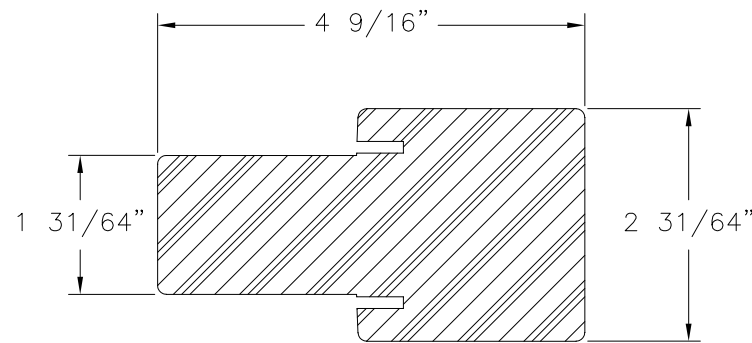
INSWING SILL ZAILH4565



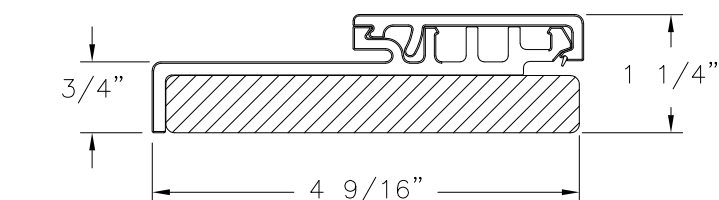
INSWING SILL ZAACLH4565



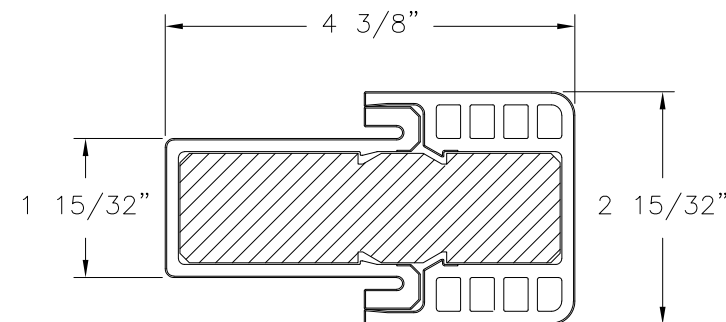
HYBRID HEAD WOOD/COMPOSITE



FAT BOY MULLION COMPOSITE



HYBRID JAMB WOOD/COMPOSITE



HYBRID FAT BOY MULLION COMPOSITE

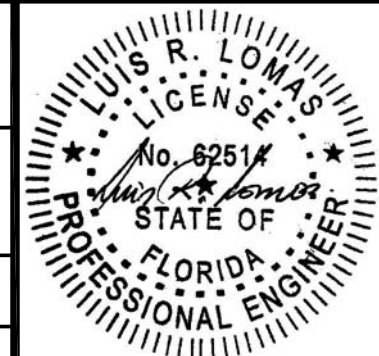
SIGNED: 08/26/2021

PROVIA, LLC.
2150 STATE ROUTE 39 WEST
SUGARCREEK, OH 44681

STEEL/FIBERGLASS INSWING GLAZED DOUBLE DOOR
W/SIDELITES NON-IMPACT
COMPONENTS

| | | |
|----------------|---------------------|----------------|
| DRAWN: V.L. | DWG NO. 08-02070 | REV J |
| SCALE NTS | DATE 06/19/13 | SHEET 16 OF 16 |

L. ROBERTO LOMAS P.E.
1432 WOODFORD RD LEWISVILLE, NC 27023
434-688-0609 rllomas@rlomaspe.com



Luis R. Lomas P.E.
FL No.: 62514