

REVISIONS			
REV	DESCRIPTION	DATE	APPROVED
J	ADDED GLAZED FIR TRIMS	08/26/2021	R.L.

NOTES:


1. THE PRODUCT SHOWN HEREIN IS DESIGNED AND MANUFACTURED TO COMPLY WITH REQUIREMENTS OF THE FLORIDA BUILDING CODE.
2. WOOD FRAMING, METAL STRUCTURE AND MASONRY OPENING TO BE DESIGNED AND ANCHORED TO PROPERLY TRANSFER ALL LOADS TO STRUCTURE. FRAMING AND MASONRY OPENING IS THE RESPONSIBILITY OF THE ARCHITECT OR ENGINEER OF RECORD.
3. 1X BUCK OVER MASONRY/CONCRETE IS OPTIONAL. WHERE 1X BUCK IS NOT USED DISSIMILAR MATERIALS MUST BE SEPARATED WITH APPROVED COATING OR MEMBRANE. SELECTION OF COATING OR MEMBRANE IS THE RESPONSIBILITY OF THE ARCHITECT OR ENGINEER OF RECORD.
4. ALLOWABLE STRESS INCREASE OF 1/3 WAS NOT USED IN THE DESIGN OF THE PRODUCT SHOWN HEREIN. WIND LOAD DURATION FACTOR Cd=1.6 WAS USED FOR WOOD ANCHOR CALCULATIONS.
5. FRAME MATERIAL: WOOD WITH G=.46 MINIMUM SPECIFIC GRAVITY, OR COMPOSITE, OR FRAMESAVER, OR FUSION FRAME.
DOOR SKIN MATERIAL: STEEL .033" THICK (MINIMUM), FIBERGLASS .085" THICK (MINIMUM). SIDELITE SKIN MATERIAL: STEEL .022" THICK (MINIMUM)
6. UNITS MUST BE GLAZED PER ASTM E1300, WITH SAFETY GLAZING.
7. APPROVED IMPACT PROTECTIVE SYSTEM IS REQUIRED FOR THIS PRODUCT IN WIND BORNE DEBRIS REGIONS.
8. SHIM AS REQUIRED AT EACH INSTALLATION ANCHOR WITH LOAD BEARING SHIM. SHIM WHERE SPACE OF 1/16" OR GREATER OCCURS. MAXIMUM ALLOWABLE SHIM STACK TO BE 1/4".
9. FOR ANCHORING INTO WOOD FRAMING OR 2X BUCK USE #10 WOOD SCREWS WITH SUFFICIENT LENGTH TO ACHIEVE A 1 3/8" MINIMUM EMBEDMENT INTO SUBSTRATE. LOCATE ANCHORS AS SHOWN IN ELEVATIONS AND INSTALLATION DETAILS.
10. FOR ANCHORING INTO MASONRY/CONCRETE USE 3/16" TAPCONS WITH SUFFICIENT LENGTH TO ACHIEVE A 1 3/4" MINIMUM EMBEDMENT INTO SUBSTRATE WITH 2" MINIMUM EDGE DISTANCE. LOCATE ANCHORS AS SHOWN IN ELEVATIONS AND INSTALLATION DETAILS.
11. FOR ANCHORING INTO METAL STRUCTURE USE #10 SMS OR SELF DRILLING SCREWS WITH SUFFICIENT LENGTH TO ACHIEVE 3 THREADS MINIMUM BEYOND STRUCTURE INTERIOR WALL. LOCATE ANCHORS AS SHOWN IN ELEVATIONS AND INSTALLATION DETAILS.

12. ALL FASTENERS TO BE CORROSION RESISTANT.
13. INSTALLATION ANCHORS SHALL BE INSTALLED IN ACCORDANCE WITH ANCHOR MANUFACTURER'S INSTALLATION INSTRUCTIONS AND ANCHORS SHALL NOT BE USED IN SUBSTRATES WITH STRENGTHS LESS THAN THE MINIMUM STRENGTH SPECIFIED BELOW:
 - A. WOOD – MINIMUM SPECIFIC GRAVITY OF G=0.42
 - B. CONCRETE – MINIMUM COMPRESSIVE STRENGTH OF 3,192 PSI.
 - C. MASONRY – GROUT FILLED STRENGTH CONFORMANCE TO ASTM C-90, GRADE N, TYPE 1 (OR GREATER).
 - D. METAL STRUCTURE: STEEL 18GA, 33KSI OR ALUMINUM 6063-T5 .048" THICK MINIMUM
14. DOOR CONSTRUCTION MAYBE CONTINUOUS HEAD FRAME AND CONTINUOUS THRESHOLD OR BOX CONSTRUCTION.

SIGNED: 08/26/2021

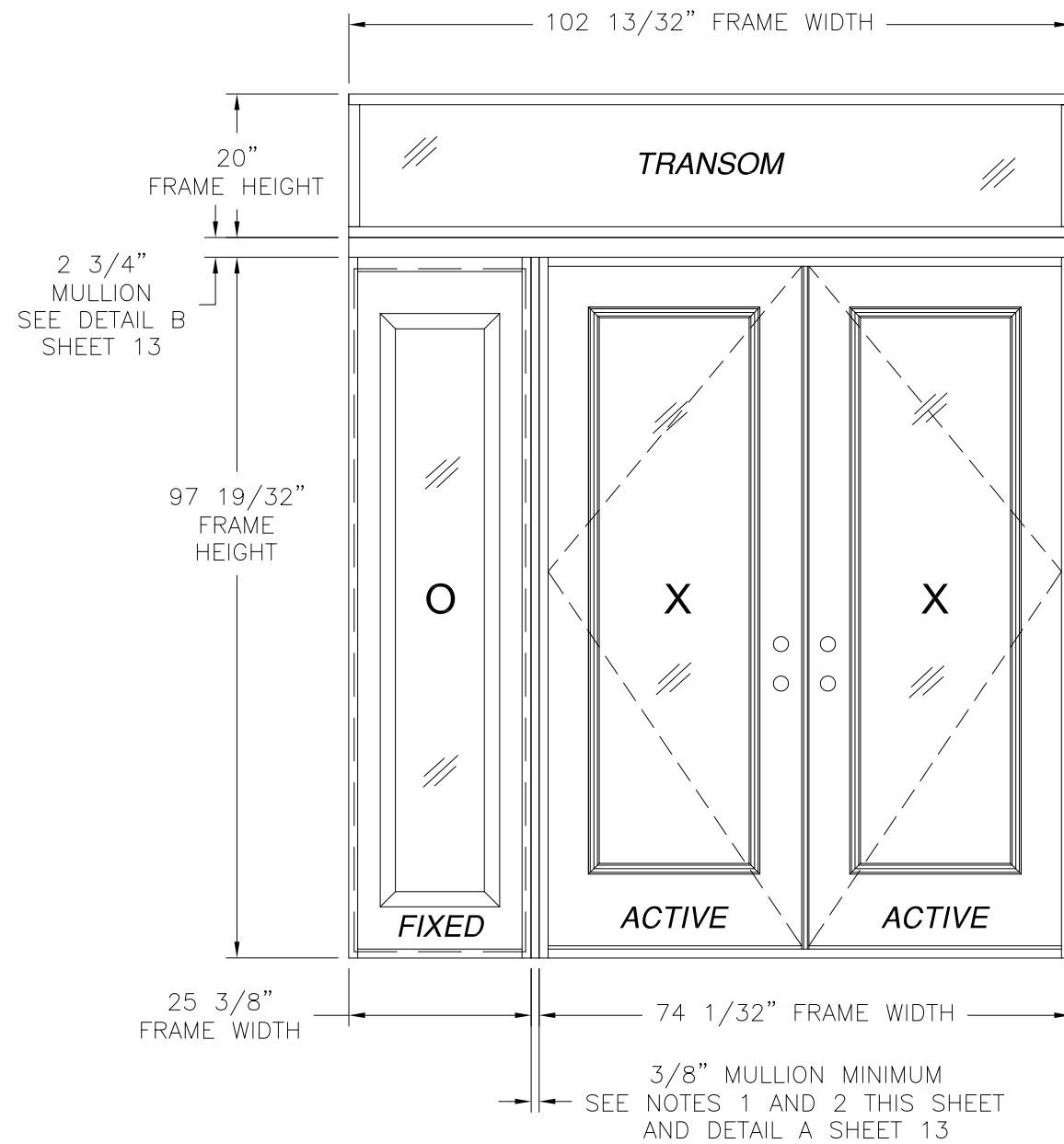
TABLE OF CONTENTS	
SHEET NO.	DESCRIPTION
1	NOTES
2 – 4	ELEVATIONS AND APPROVED CONFIGURATIONS
5	ANCHORING LAYOUTS
6 – 13	INSTALLATION DETAILS
14 – 16	APPROVED SLABS
17	COMPONENTS

PROVIA, LLC. 2150 STATE ROUTE 39 WEST SUGARCREEK, OH 44681		
STEEL/FIBERGLASS INSWING GLAZED DOUBLE DOOR W/SIDELITES & TRANSOM NON-IMPACT NOTES		
DRAWN: J.L.	DWG NO. 08-02072	REV J
SCALE NTS	DATE 06/19/13	SHEET 1 OF 17
L. ROBERTO LOMAS P.E. 1432 WOODFORD RD LEWISVILLE, NC 27023 434-688-0609 rllomas@lrlomaspe.com		

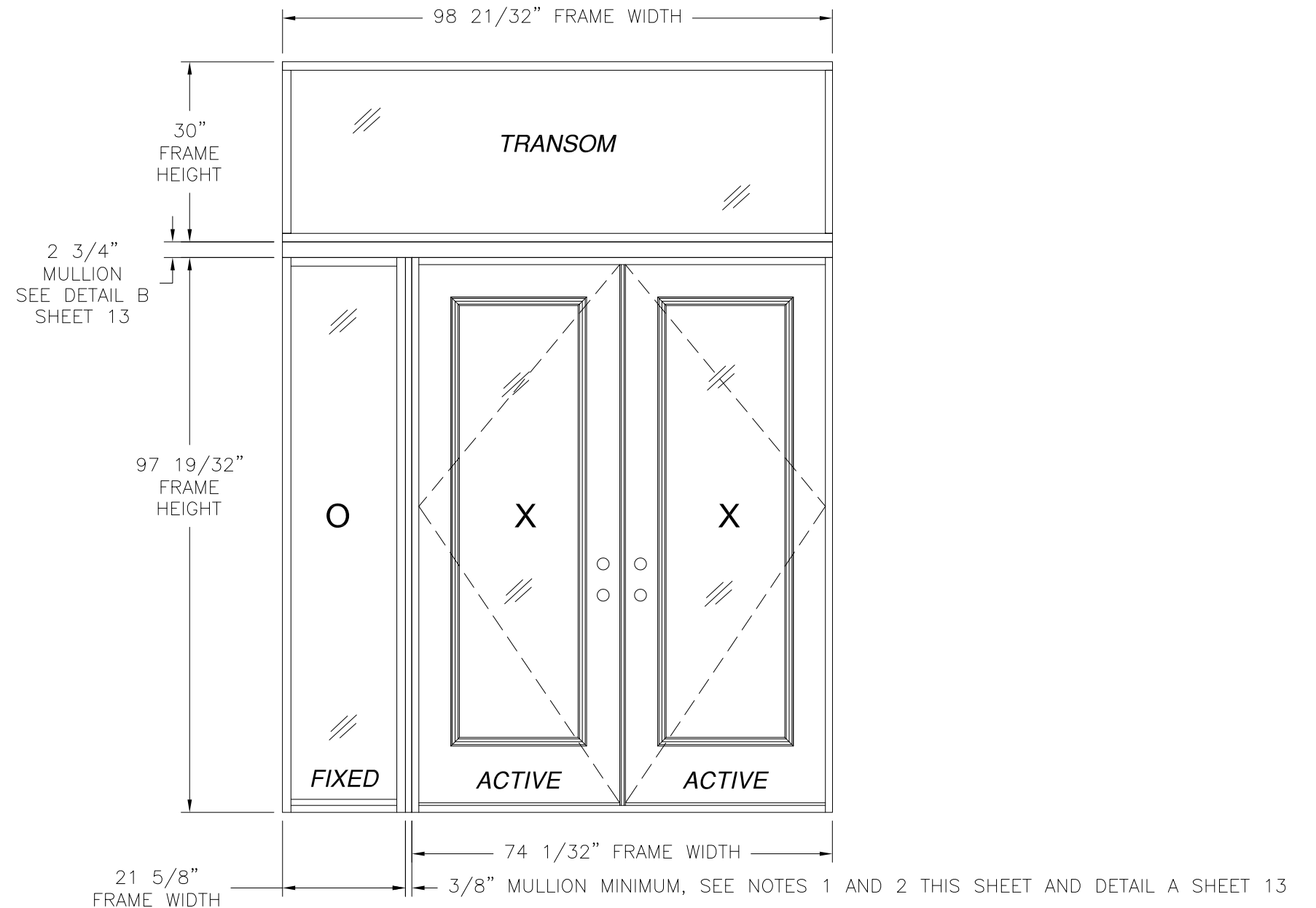


Luis R. Lomas P.E.
FL No.: 62514

REVISIONS			
REV	DESCRIPTION	DATE	APPROVED
J	ADDED GLAZED FIR TRIMS	08/26/2021	R.L.



DOUBLE W/ STD SIDELITE AND TRANSOM
EXTERIOR VIEW
OXX SHOWN XXO ALSO APPROVED



DOUBLE W/ DIRECT SET SIDELITE AND TRANSOM
EXTERIOR VIEW
OXX SHOWN XXO ALSO APPROVED

D.L.O. NOTES:

1. MAXIMUM DOOR D.L.O.: 20 3/8" X 78 1/2"
2. MAXIMUM STD. SIDELITE D.L.O.: 12 3/8" X 78 3/8"
3. MAXIMUM DIRECT SET SIDELITE D.L.O.: 18 5/8" X 93 3/4"
4. MAXIMUM TRANSOM D.L.O. WIDTH: 127 25/32"
5. MAXIMUM TRANSOM D.L.O. HEIGHT: 27"

NOTES:

1. MAXIMUM ALLOWED BUILDUP TO BE 3" AT VERTICAL MULLION.
2. IF SIDELITE WIDTH IS 16" OR LESS NO VERTICAL MULLION IS REQUIRED.

DESIGN PRESSURE RATING	IMPACT RATING
±55.0PSF	NONE
THIS SYSTEM WAS NOT TESTED FOR WATER INFILTRATION AND IS TO BE INSTALLED ONLY WHERE WATER RESISTANCE IS NOT REQUIRED	

DESIGN PRESSURE RATING	IMPACT RATING
+48.0/-52.0	NONE
THIS SYSTEM WAS NOT TESTED FOR WATER INFILTRATION AND IS TO BE INSTALLED ONLY WHERE WATER RESISTANCE IS NOT REQUIRED	

WITH FIBERGLASS SLAB

35 3/4" x 94 15/16" PANEL SIZE SHOWN. OTHER SIZES ARE APPROVED AS LONG AS INDIVIDUAL PANEL AREA DOES NOT EXCEED 23.56 FT²

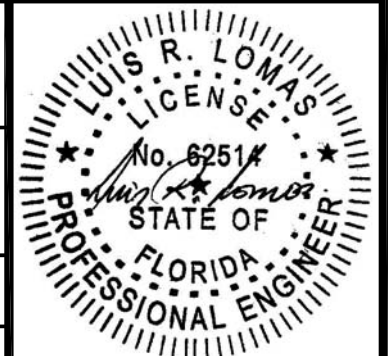
PROVIA, LLC.
2150 STATE ROUTE 39 WEST
SUGARCREEK, OH 44681

STEEL/FIBERGLASS INSWING GLAZED DOUBLE DOOR
W/SIDELITES & TRANSOM NON-IMPACT
ELEVATIONS

DRAWN: J.L.	DWG NO. 08-02072	REV J
SCALE NTS	DATE 06/19/13	SHEET 2 OF 17

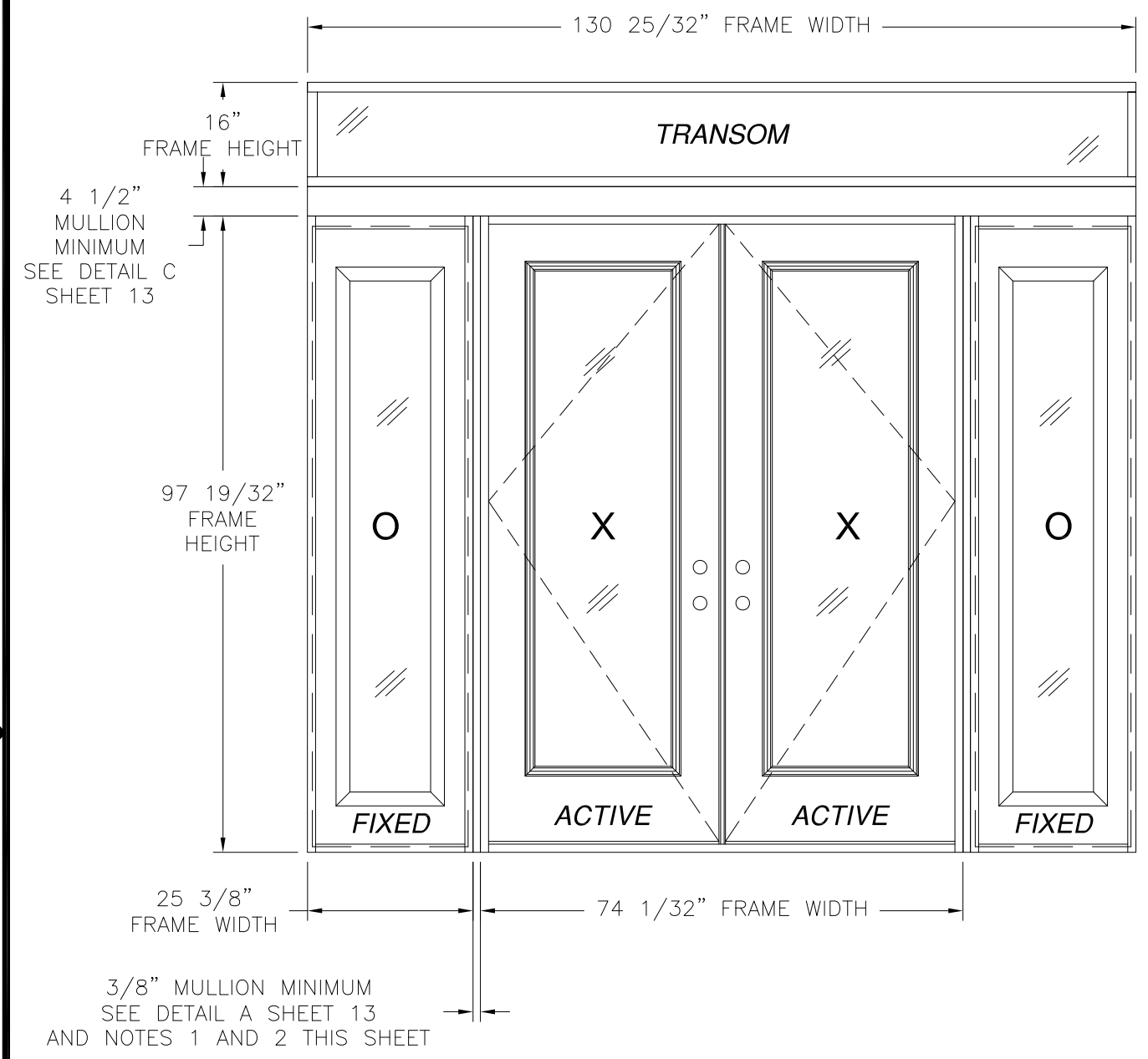
L. ROBERTO LOMAS P.E.
1432 WOODFORD RD LEWISVILLE, NC 27023
434-688-0609 rllomas@rlomaspe.com

SIGNED: 08/26/2021

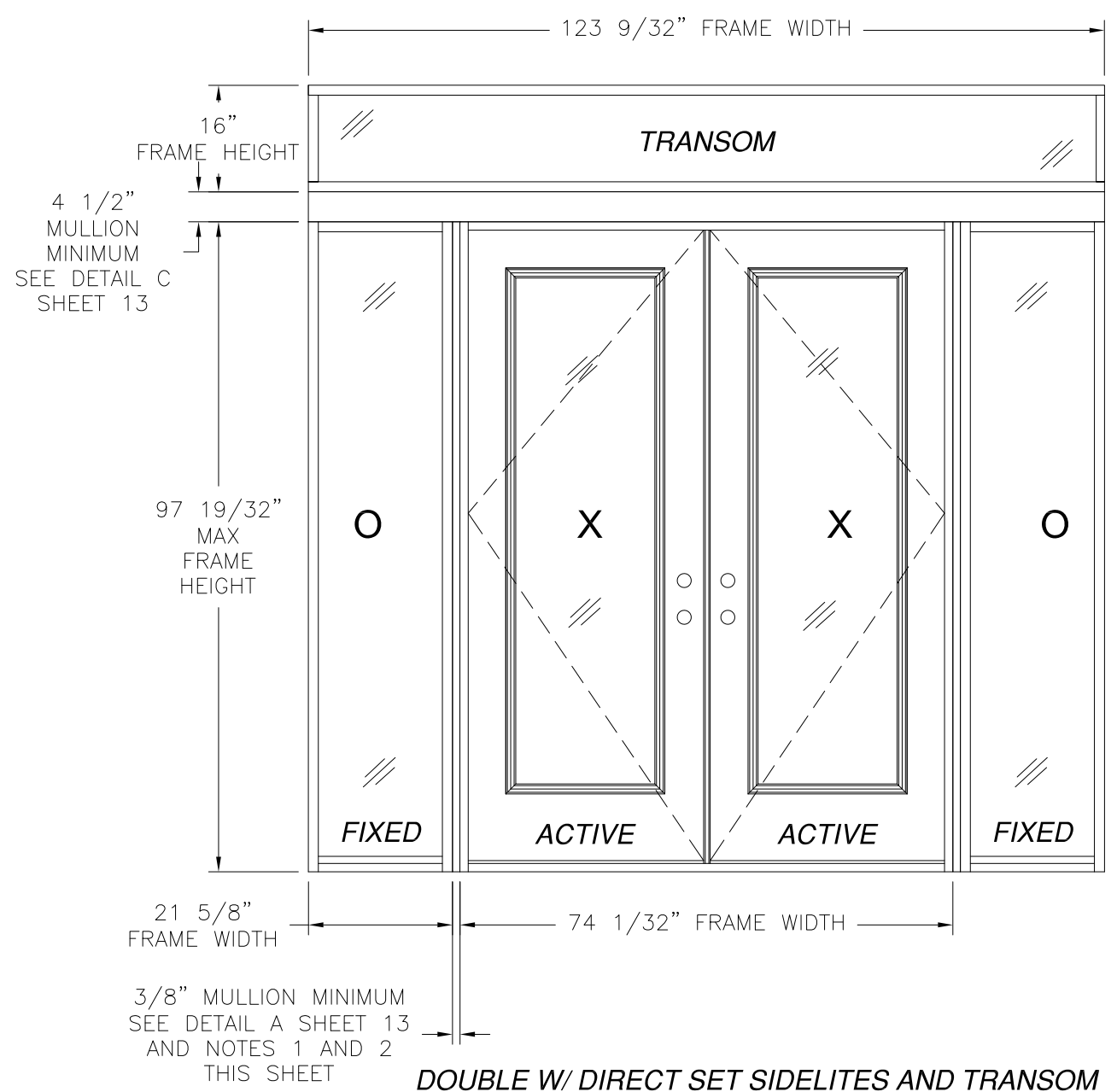


Luis R. Lomas P.E.
FL No.: 62514

REVISIONS			
REV	DESCRIPTION	DATE	APPROVED
J	ADDED GLAZED FIR TRIMS	08/26/2021	R.L.



DOUBLE W/ STD SIDELITES AND TRANSOM
EXTERIOR VIEW



DOUBLE W/ DIRECT SET SIDELITES AND TRANSOM
EXTERIOR VIEW

DESIGN PRESSURE RATING	IMPACT RATING
±55.0PSF	NONE
THIS SYSTEM WAS NOT TESTED FOR WATER INFILTRATION AND IS TO BE INSTALLED ONLY WHERE WATER RESISTANCE IS NOT REQUIRED	

DESIGN PRESSURE RATING	IMPACT RATING
+48.0/-52.0	NONE
THIS SYSTEM WAS NOT TESTED FOR WATER INFILTRATION AND IS TO BE INSTALLED ONLY WHERE WATER RESISTANCE IS NOT REQUIRED	

35 3/4" x 94 15/16" PANEL SIZE SHOWN. OTHER SIZES ARE APPROVED AS LONG AS INDIVIDUAL PANEL AREA DOES NOT EXCEED 23.56 FT²

- NOTES:
1. MAXIMUM ALLOWED BUILDUP TO BE 3" AT VERTICAL MULLION.
 2. IF SIDELITE WIDTH IS 16" OR LESS NO VERTICAL MULLION IS REQUIRED.

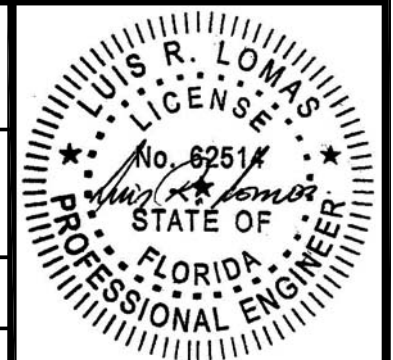
SIGNED: 08/26/2021

PROVIA, LLC.
2150 STATE ROUTE 39 WEST
SUGARCREEK, OH 44681

STEEL/FIBERGLASS INSWING GLAZED DOUBLE DOOR
W/SIDELITES & TRANSOM NON-IMPACT
ELEVATIONS

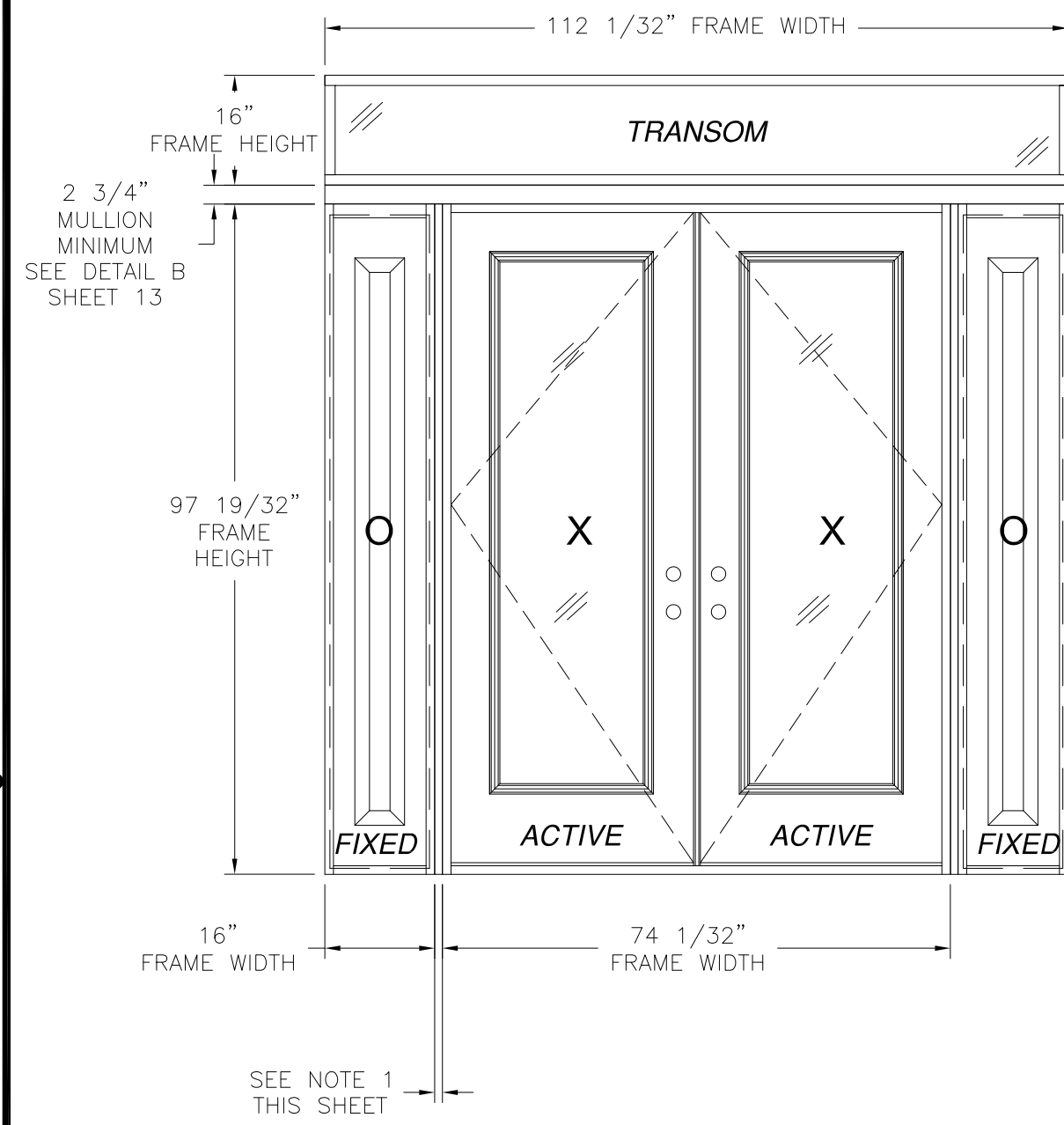
DRAWN: J.L.	DWG NO. 08-02072	REV J
SCALE NTS	DATE 06/19/13	SHEET 3 OF 17

L. ROBERTO LOMAS P.E.
1432 WOODFORD RD LEWISVILLE, NC 27023
434-688-0609 rllomas@rlomaspe.com

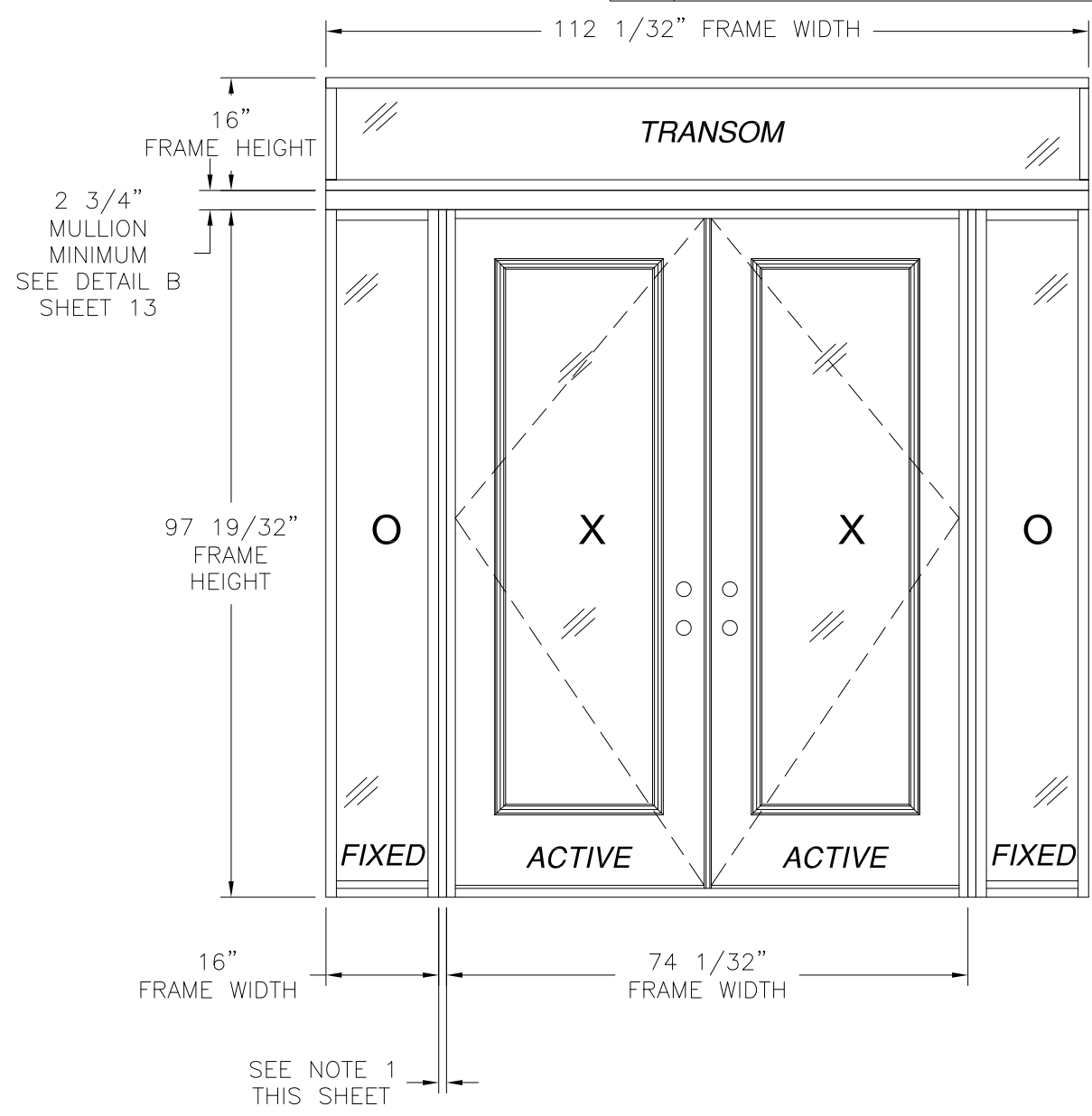


Luis R. Lomas P.E.
FL No.: 62514

REVISIONS			
REV	DESCRIPTION	DATE	APPROVED
J	ADDED GLAZED FIR TRIMS	08/26/2021	R.L.



DOUBLE W/ STD SIDELITES AND TRANSOM
EXTERIOR VIEW



DOUBLE W/ DIRECT SET SIDELITES AND TRANSOM
EXTERIOR VIEW

DESIGN PRESSURE RATING	IMPACT RATING
±55.0PSF	NONE
THIS SYSTEM WAS NOT TESTED FOR WATER INFILTRATION AND IS TO BE INSTALLED ONLY WHERE WATER RESISTANCE IS NOT REQUIRED	

DESIGN PRESSURE RATING	IMPACT RATING
+48.0/-52.0	NONE
THIS SYSTEM WAS NOT TESTED FOR WATER INFILTRATION AND IS TO BE INSTALLED ONLY WHERE WATER RESISTANCE IS NOT REQUIRED	

WITH FIBERGLASS SLAB

35 3/4" x 94 15/16" PANEL SIZE SHOWN. OTHER SIZES ARE APPROVED AS LONG AS INDIVIDUAL PANEL AREA DOES NOT EXCEED 23.56 FT²

NOTES:
1. MAXIMUM ALLOWED BUILDUP TO BE 3" AT VERTICAL MULLION.

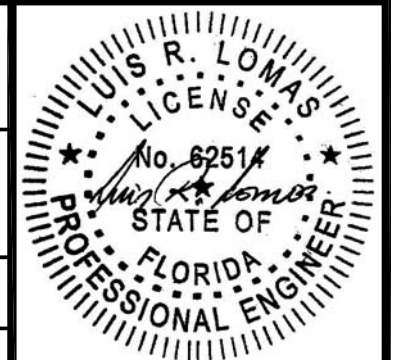
PROVIA, LLC.
2150 STATE ROUTE 39 WEST
SUGARCREEK, OH 44681

STEEL/FIBERGLASS INSWING GLAZED DOUBLE DOOR
W/SIDELITES & TRANSOM NON-IMPACT
ELEVATIONS

DRAWN: J.L.	DWG NO. 08-02072	REV J
SCALE NTS	DATE 06/19/13	SHEET 4 OF 17

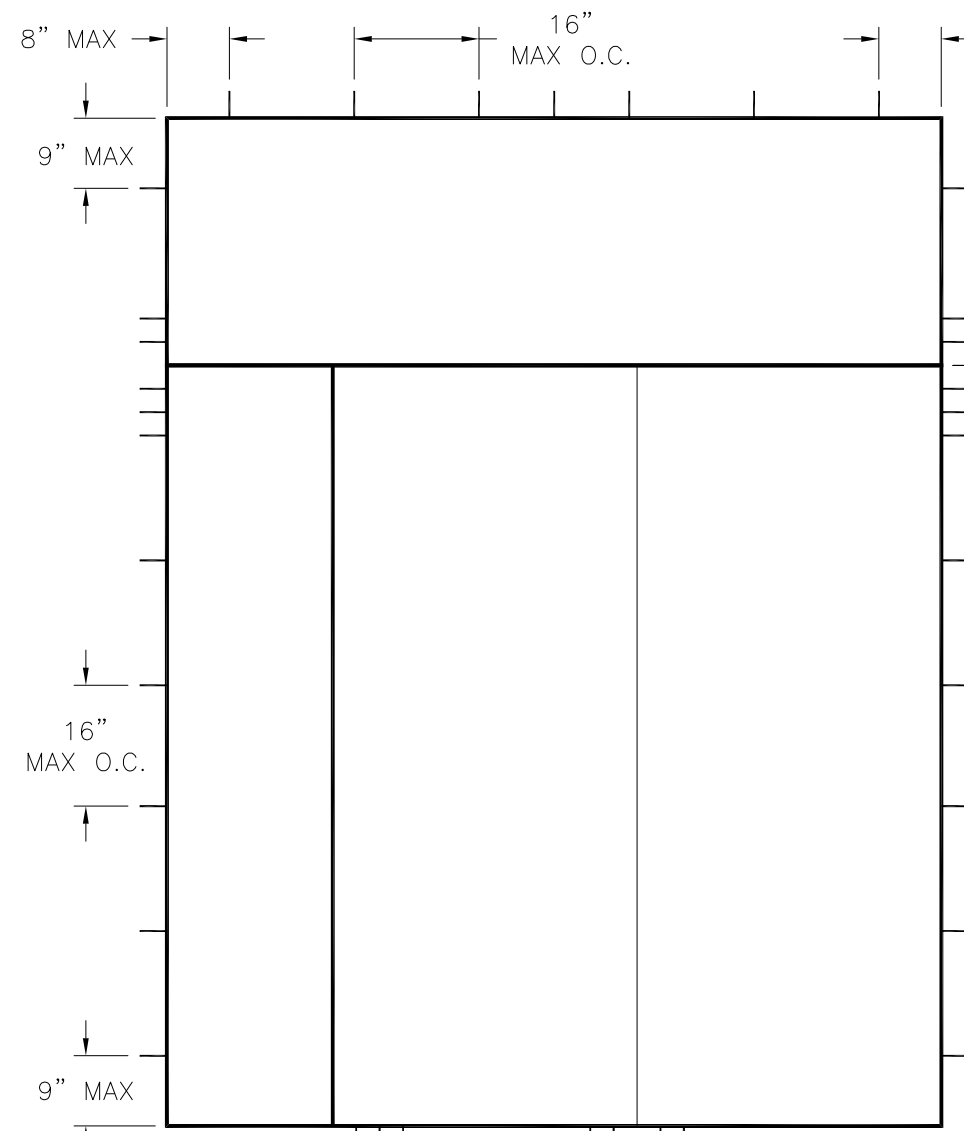
L. ROBERTO LOMAS P.E.
1432 WOODFORD RD LEWISVILLE, NC 27023
434-688-0609 rllomas@rlomaspe.com

SIGNED: 08/26/2021

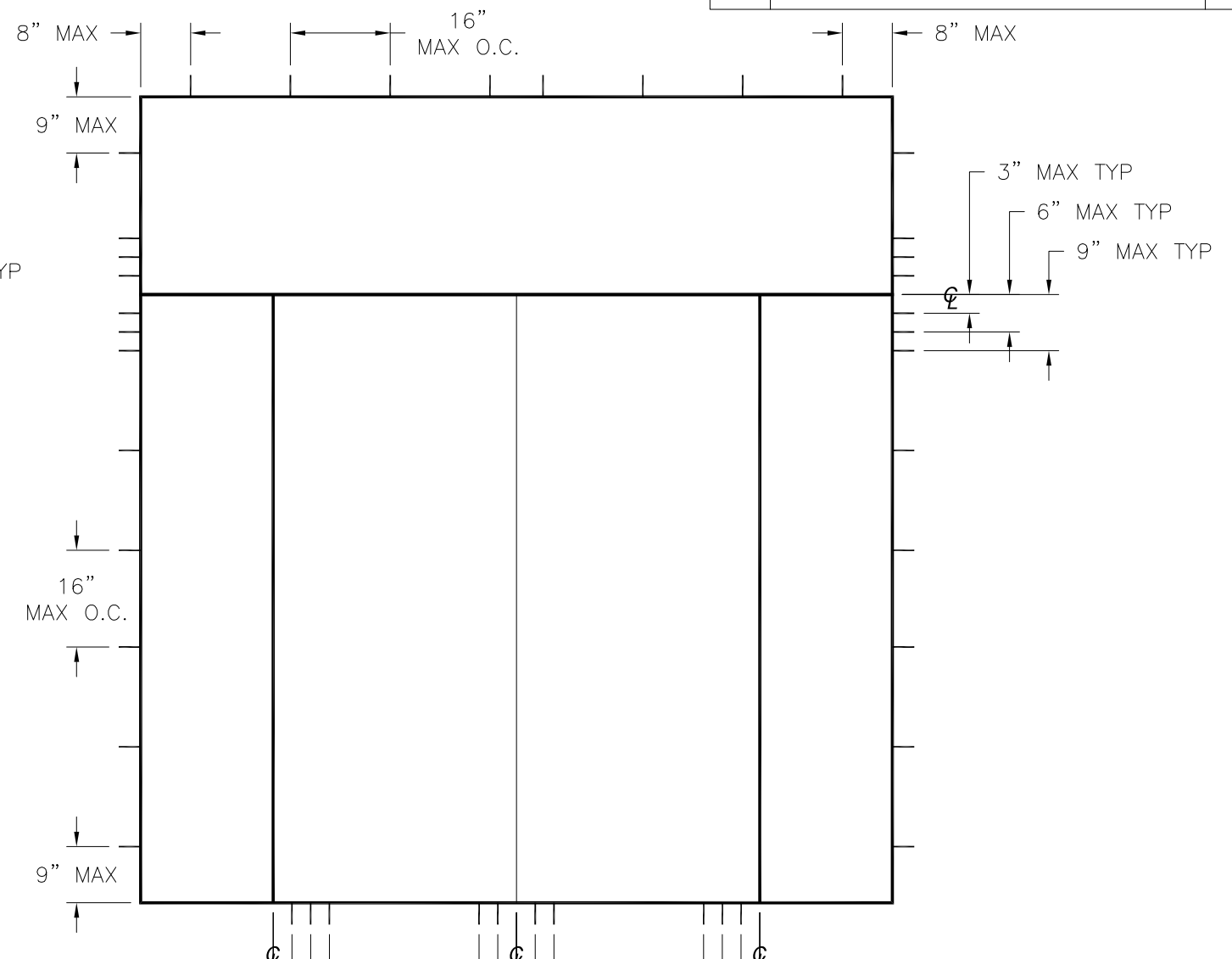


Luis R. Lomas P.E.
FL No.: 62514

REVISIONS			
REV	DESCRIPTION	DATE	APPROVED
J	ADDED GLAZED FIR TRIMS	08/26/2021	R.L.



DOUBLE DOOR W/SIDELITE AND TRANSOM
ANCHORING LAYOUT



DOUBLE DOOR W/SIDELITES AND TRANSOM
ANCHORING LAYOUT

HARDWARE SCHEDULE	
A.	F-SERIES LOCK ASSEMBLY DOOR KNOB BY SCHLAGE.
B.	B-SERIES DEADBOLT ASSEMBLY BY SCHLAGE.
C.	F-SERIES DEADBOLT ASSEMBLY BY SCHLAGE.
D.	RESIDENTIAL GRADE DOOR HANDLE ASSEMBLY BY EMTEK (ALTERNATE).
E.	MULTI-POINT LOCK HANDLE ASSEMBLY BY TRILENNIUM (ALTERNATE).
F.	(3) 4" x 4" BALL BEARING HINGES BY PENROD.
G.	(3) 4" x 4" SPRING BOMMER HINGES BY PENROD. (ALTERNATE)

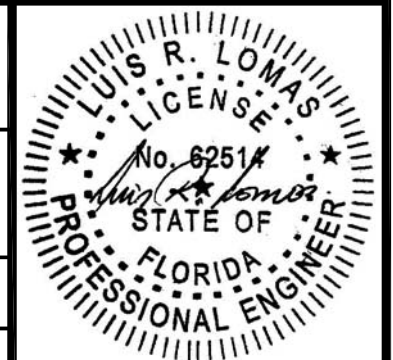
PROVIA, LLC.
2150 STATE ROUTE 39 WEST
SUGARCREEK, OH 44681

STEEL/FIBERGLASS INSWING GLAZED DOUBLE DOOR
W/SIDELITES & TRANSOM NON-IMPACT
ANCHORING LAYOUTS

DRAWN: J.L.	DWG NO. 08-02072	REV J
SCALE NTS	DATE 06/19/13	SHEET 5 OF 17

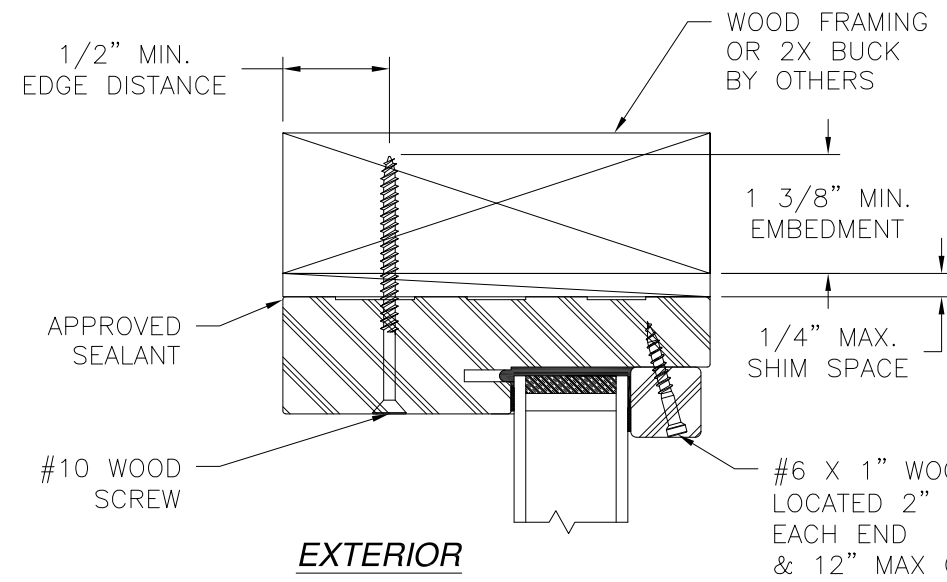
L. ROBERTO LOMAS P.E.
1432 WOODFORD RD LEWISVILLE, NC 27023
434-688-0609 rllomas@rlomaspe.com

SIGNED: 08/26/2021

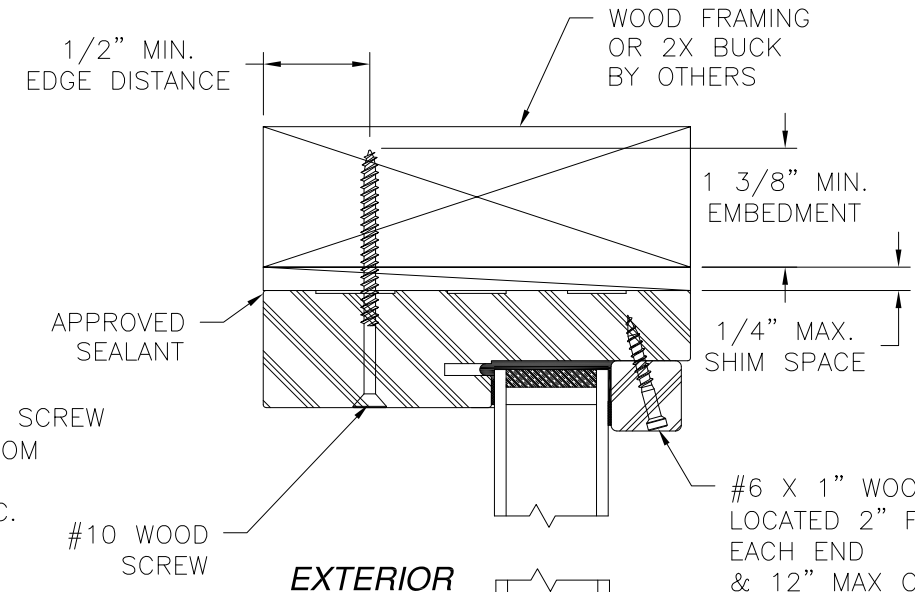


Luis R. Lomas P.E.
FL No.: 62514

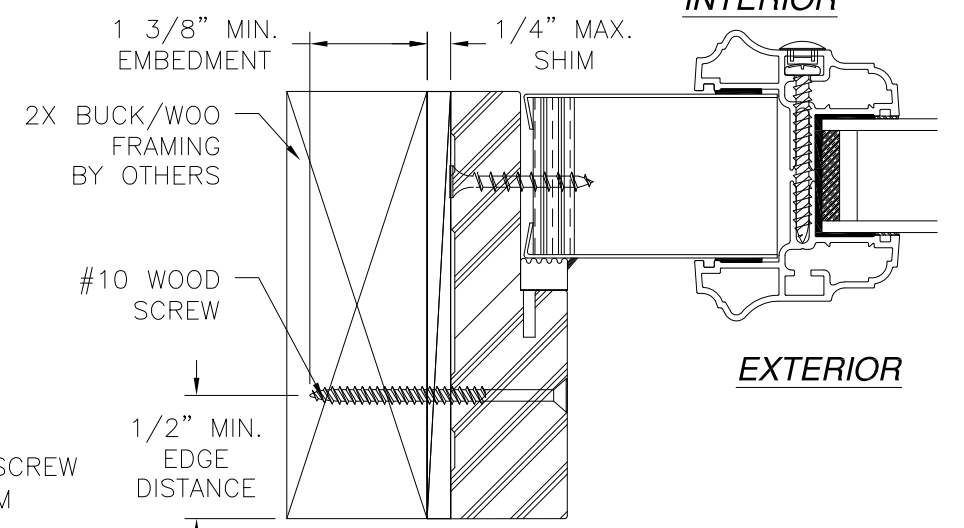
REVISIONS			
REV	DESCRIPTION	DATE	APPROVED
J	ADDED GLAZED FIR TRIMS	08/26/2021	R.L.



EXTERIOR



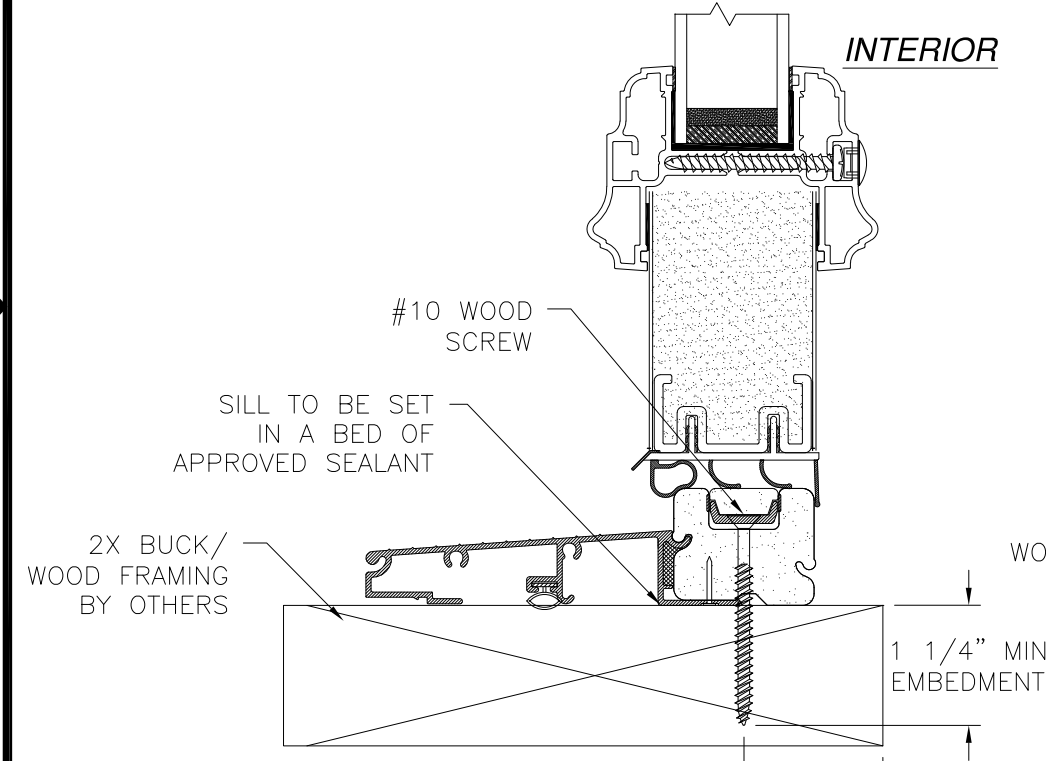
EXTERIOR



INTERIOR

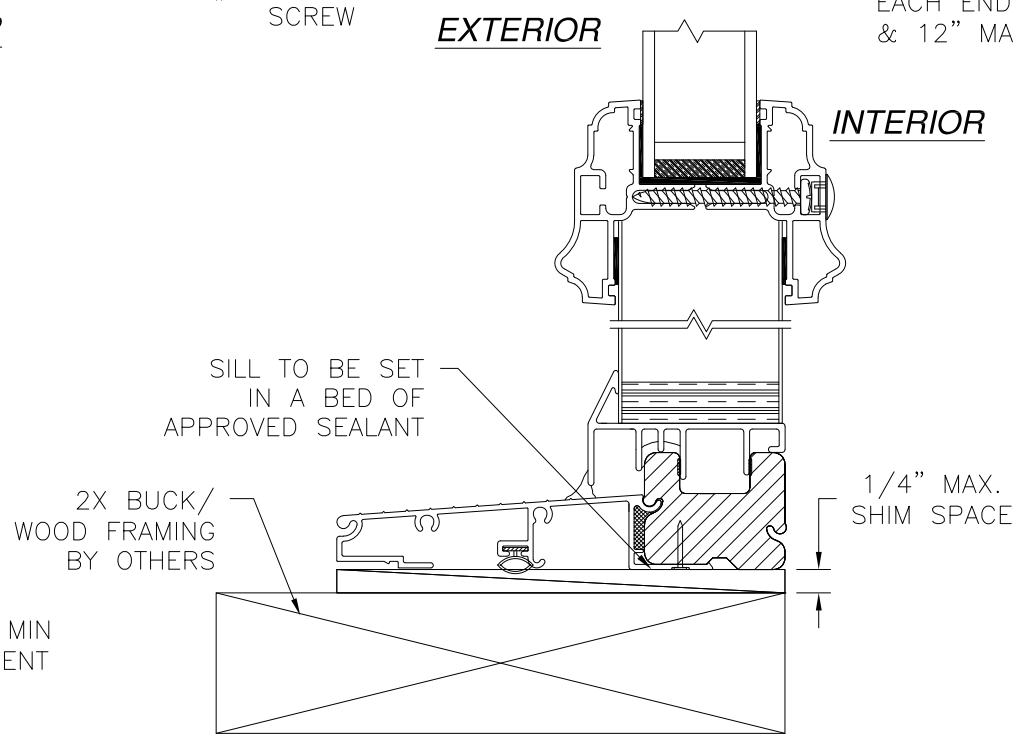
EXTERIOR

**HORIZONTAL CROSS SECTION
SIDELITE INSTALLATION 2X BUCK/WOOD FRAMING
STANDARD SIDELITE SHOWN
DIRECT SET SIDELITE SIMILAR**



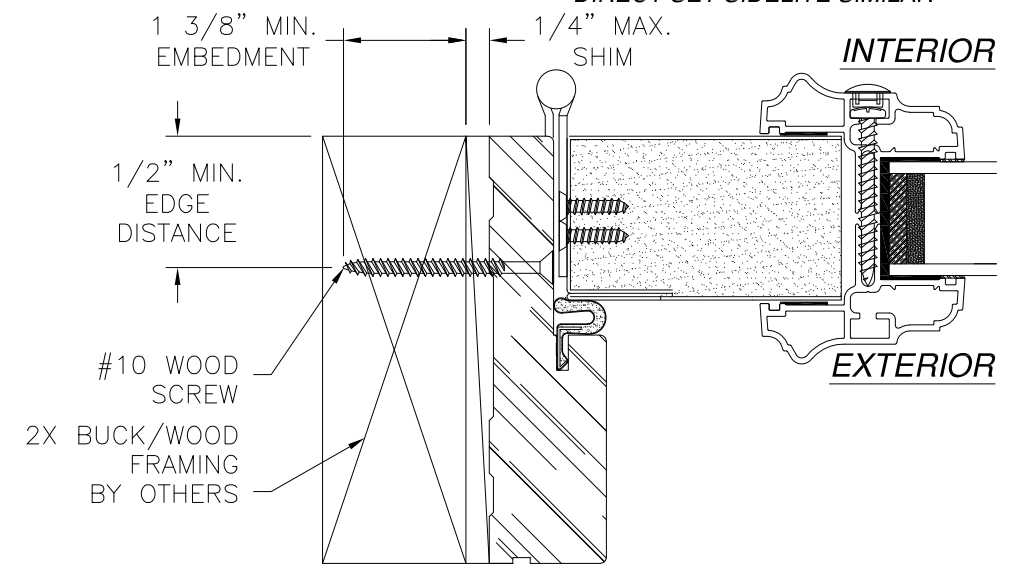
VERTICAL CROSS SECTION

**DOOR AND TRANSOM INSTALLATION - 2X BUCK/WOOD FRAMING
TRANSOM HEAD SHOWN
TRANSOM JAMB SIMILAR**



INTERIOR

**VERTICAL CROSS SECTION
SIDELITE AND TRANSOM INSTALLATION 2X BUCK/WOOD FRAMING
STANDARD SIDELITE SHOWN
DIRECT SET SIDELITE SIMILAR
TRANSOM HEAD SHOWN
TRANSOM JAMB SIMILAR**



INTERIOR

EXTERIOR

**HORIZONTAL CROSS SECTION
DOOR INSTALLATION - 2X BUCK/WOOD FRAMING**

SIGNED: 08/26/2021

- NOTES:**
1. INTERIOR AND EXTERIOR FINISHES, BY OTHERS, NOT SHOWN FOR CLARITY.
 2. PERIMETER AND JOINT SEALANT BY OTHERS TO BE DESIGNED IN ACCORDANCE WITH ASTM E2112

PROVIA, LLC.
2150 STATE ROUTE 39 WEST
SUGARCREEK, OH 44681

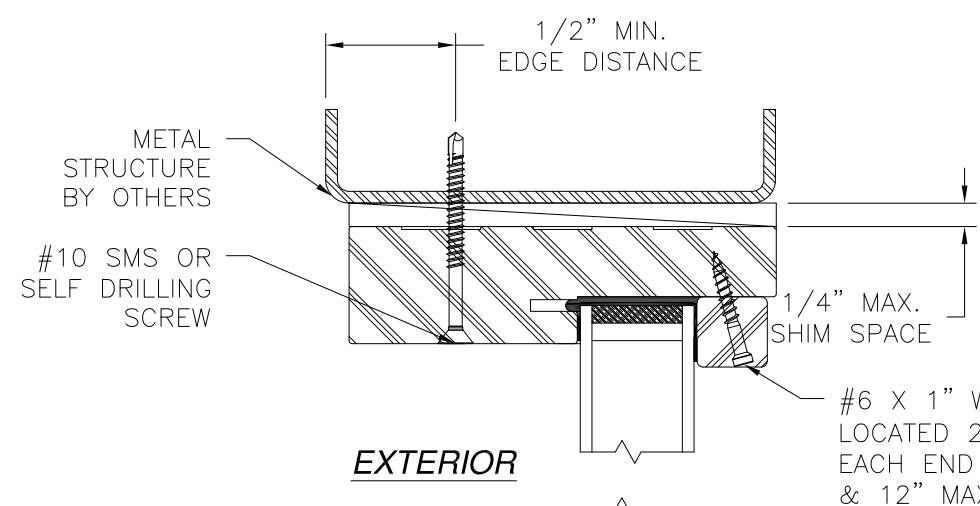
STEEL/FIBERGLASS INSWING GLAZED DOUBLE DOOR
W/SIDELITES & TRANSOM NON-IMPACT
INSTALLATION DETAILS

DRAWN: J.L.	DWG NO. 08-02072	REV J
SCALE NTS	DATE 06/19/13	SHEET 6 OF 17

L. ROBERTO LOMAS P.E.
1432 WOODFORD RD LEWISVILLE, NC 27023
434-688-0609 rllomas@rlomaspe.com

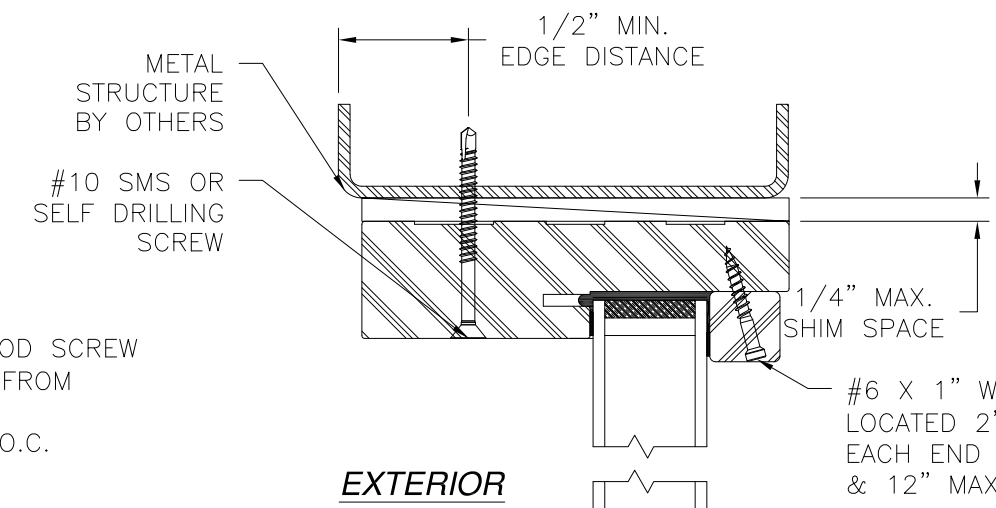
Luis R. Lomas P.E.
FL No.: 62514

REVISIONS			
REV	DESCRIPTION	DATE	APPROVED
J	ADDED GLAZED FIR TRIMS	08/26/2021	R.L.



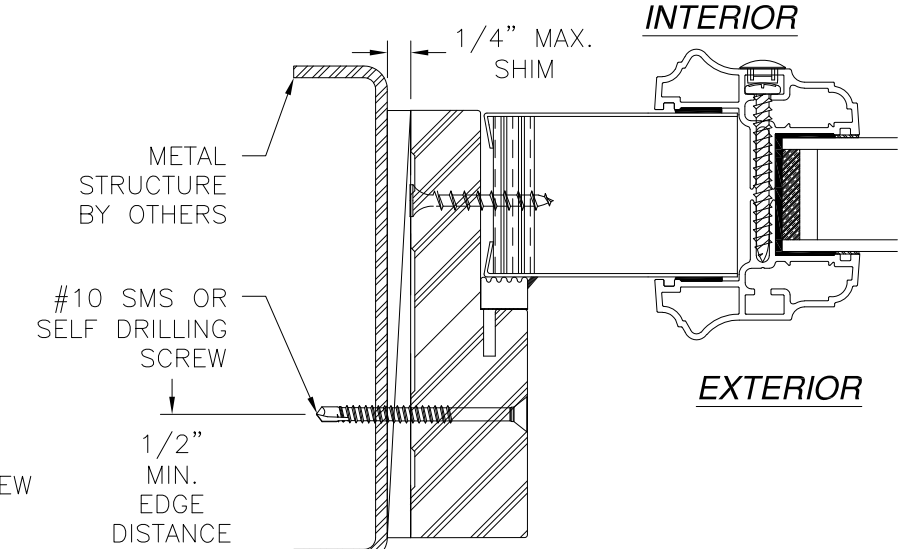
EXTERIOR

INTERIOR



EXTERIOR

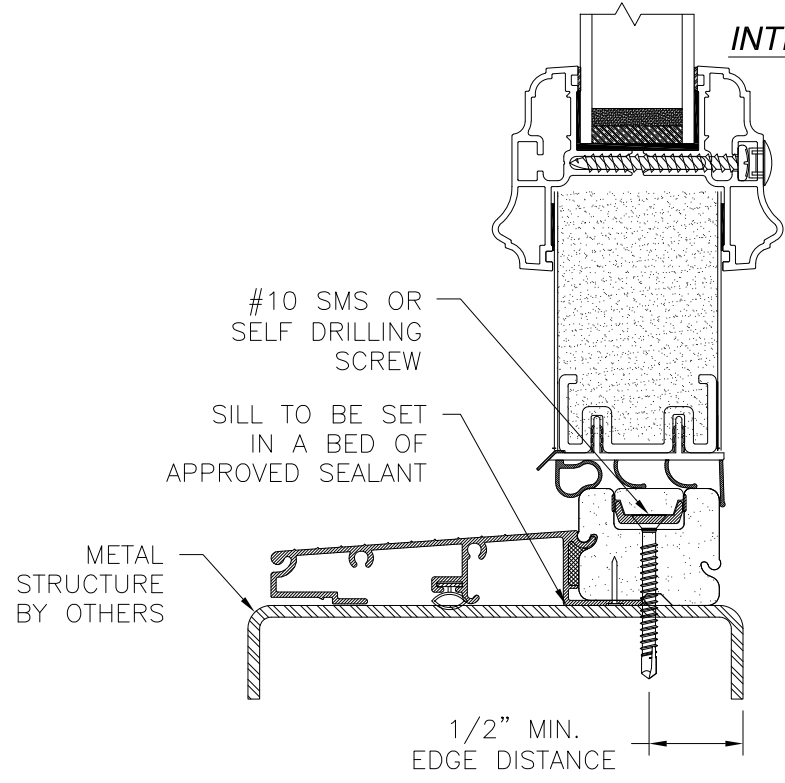
INTERIOR



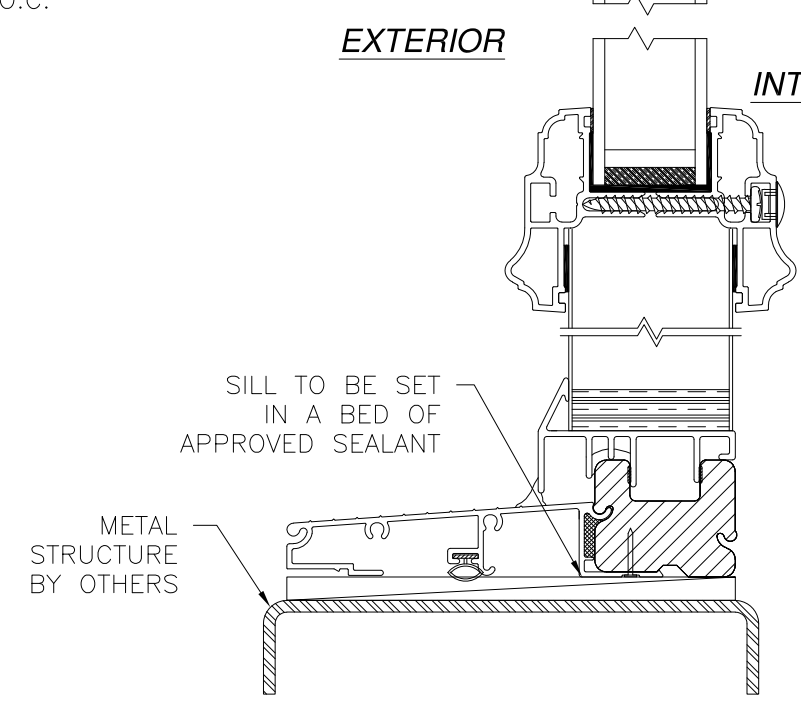
INTERIOR

EXTERIOR

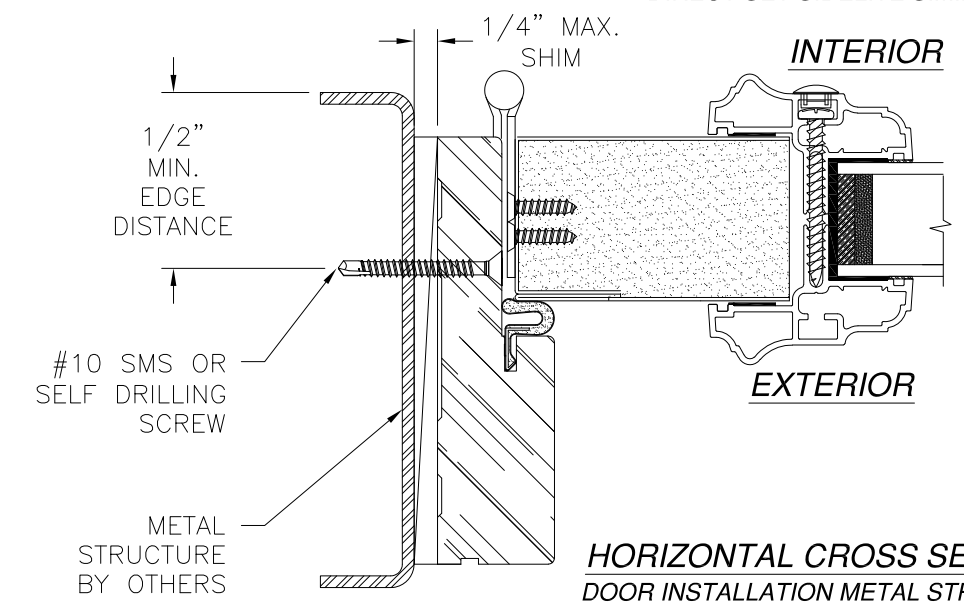
HORIZONTAL CROSS SECTION
SIDELITE INSTALLATION METAL STRUCTURE
STANDARD SIDELITE SHOWN
DIRECT SET SIDELITE SIMILAR



VERTICAL CROSS SECTION
DOOR AND TRANSOM INSTALLATION METAL STRUCTURE
TRANSOM HEAD SHOWN
TRANSOM JAMB SIMILAR



VERTICAL CROSS SECTION
SIDELITE AND TRANSOM INSTALLATION METAL STRUCTURE
STANDARD SIDELITE SHOWN
DIRECT SET SIDELITE SIMILAR
TRANSOM HEAD SHOWN
TRANSOM JAMB SIMILAR



HORIZONTAL CROSS SECTION
DOOR INSTALLATION METAL STRUCTURE

SIGNED: 08/26/2021

- NOTES:**
- INTERIOR AND EXTERIOR FINISHES, BY OTHERS, NOT SHOWN FOR CLARITY.
 - PERIMETER AND JOINT SEALANT BY OTHERS TO BE DESIGNED IN ACCORDANCE WITH ASTM E2112

PROVIA, LLC.
2150 STATE ROUTE 39 WEST
SUGARCREEK, OH 44681

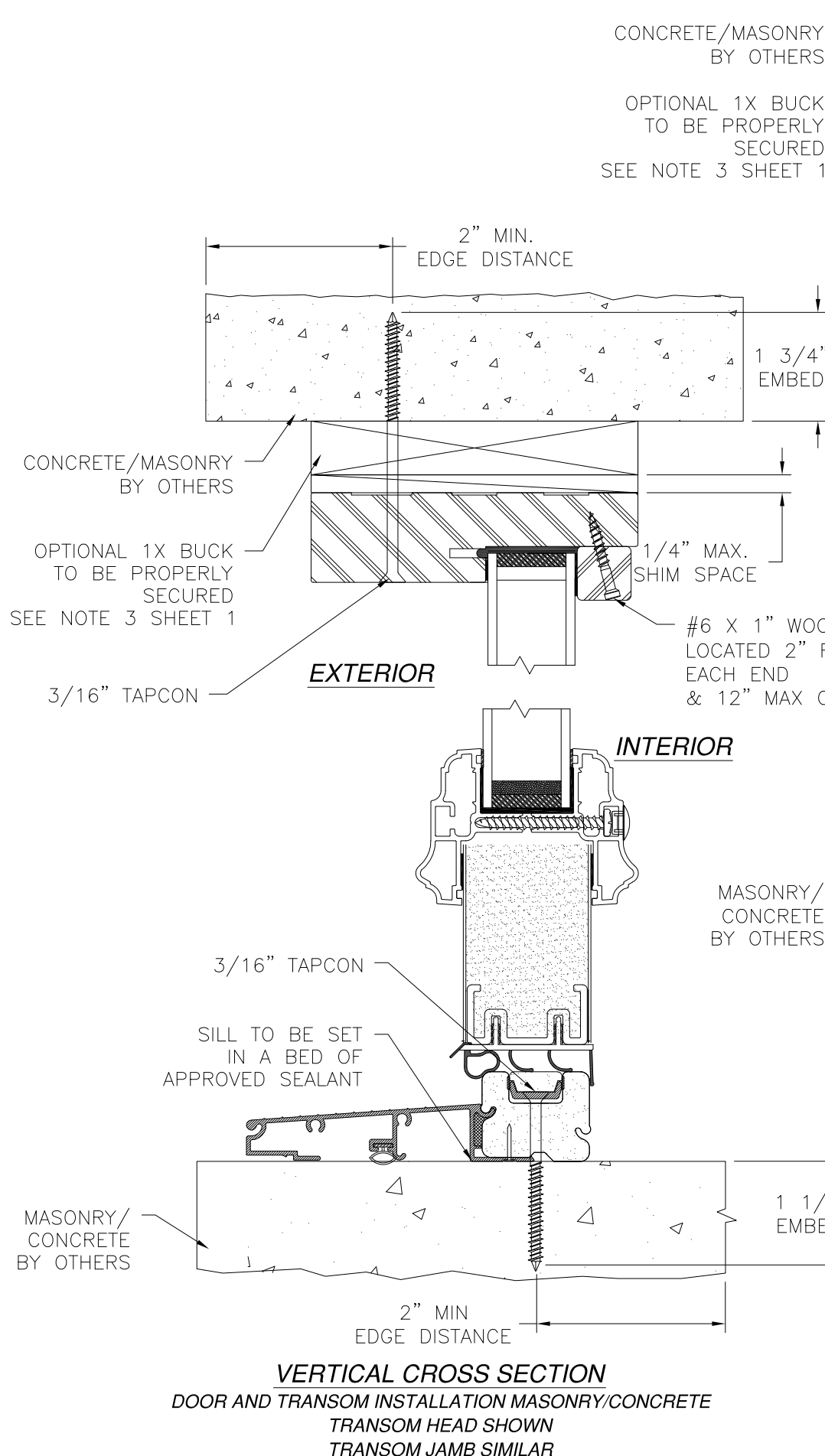
STEEL/FIBERGLASS INSWING GLAZED DOUBLE DOOR
W/SIDELITES & TRANSOM NON-IMPACT
INSTALLATION DETAILS

DRAWN: J.L.	DWG NO. 08-02072	REV J
SCALE NTS	DATE 06/19/13	SHEET 7 OF 17

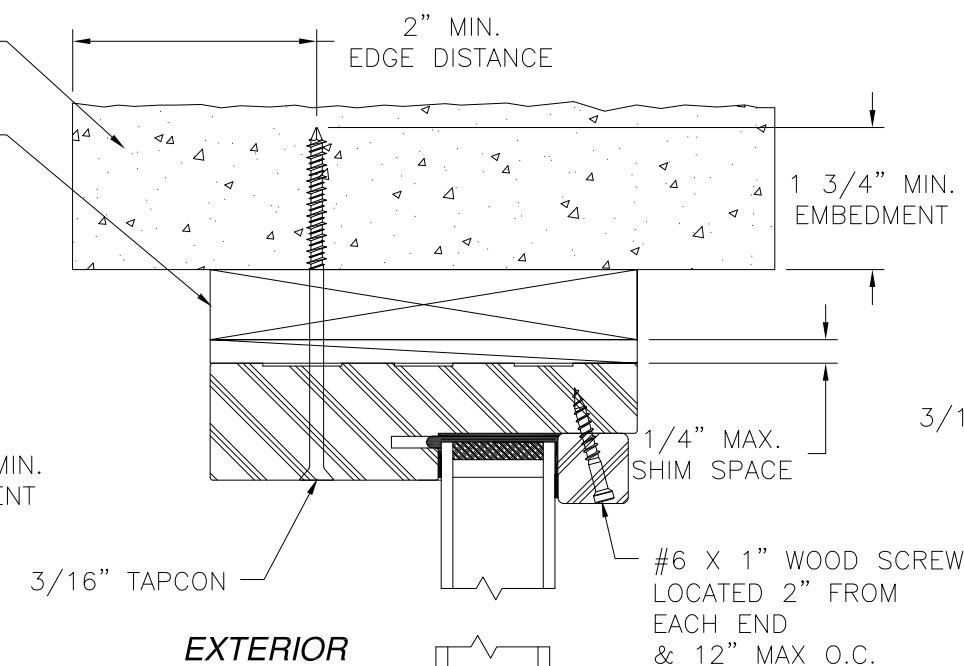
L. ROBERTO LOMAS P.E.
1432 WOODFORD RD LEWISVILLE, NC 27023
434-688-0609 rllomas@rlomaspe.com

Luis R. Lomas P.E.
FL No.: 62514

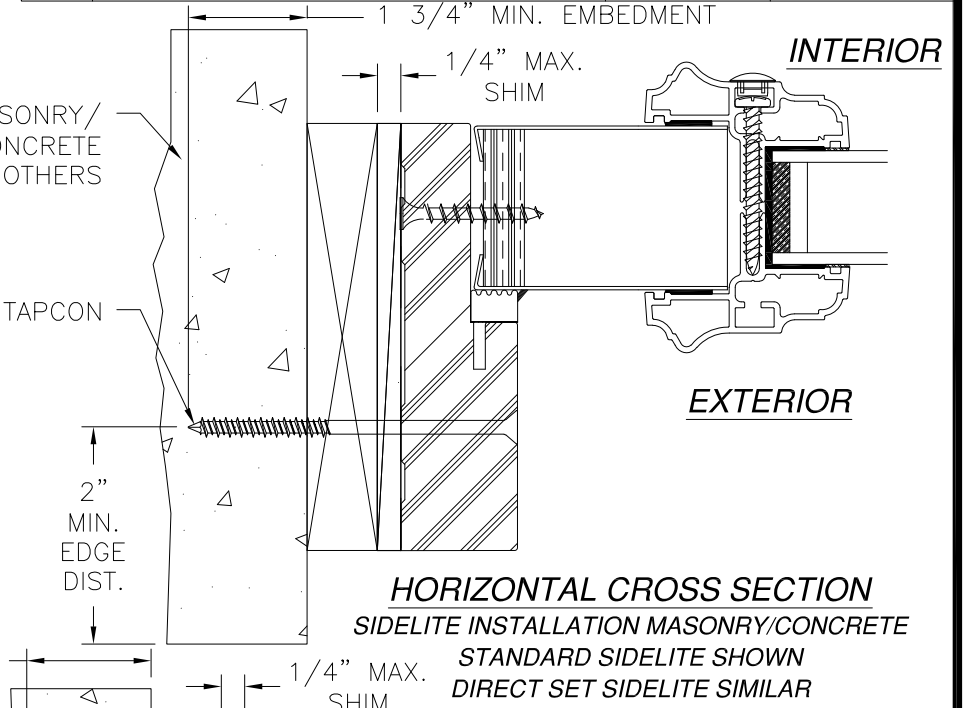
REVISIONS			
REV	DESCRIPTION	DATE	APPROVED
J	ADDED GLAZED FIR TRIMS	08/26/2021	R.L.



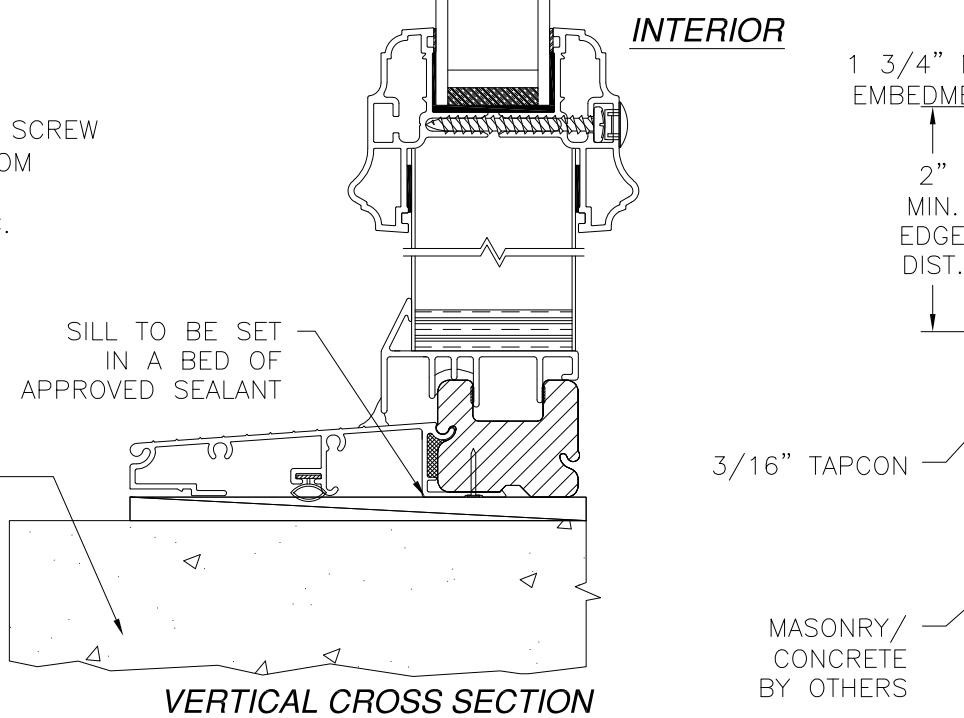
VERTICAL CROSS SECTION
DOOR AND TRANSOM INSTALLATION MASONRY/CONCRETE
 TRANSOM HEAD SHOWN
 TRANSOM JAMB SIMILAR



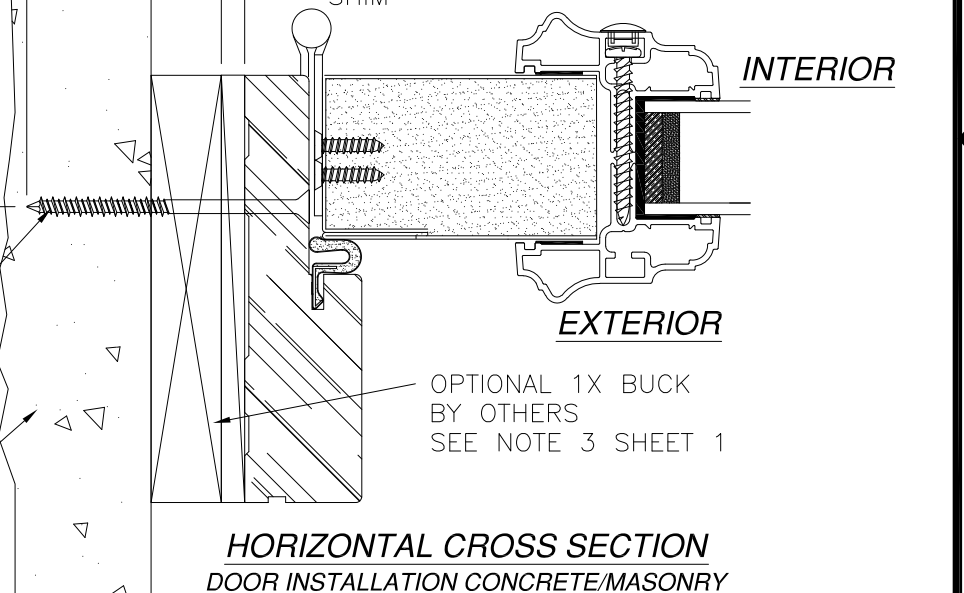
EXTERIOR
INTERIOR



HORIZONTAL CROSS SECTION
SIDELITE INSTALLATION MASONRY/CONCRETE
 STANDARD SIDELITE SHOWN
 DIRECT SET SIDELITE SIMILAR



VERTICAL CROSS SECTION
SIDELITE AND TRANSOM INSTALLATION MASONRY/CONCRETE
 STANDARD SIDELITE SHOWN
 DIRECT SET SIDELITE SIMILAR
 TRANSOM HEAD SHOWN
 TRANSOM JAMB SIMILAR



HORIZONTAL CROSS SECTION
DOOR INSTALLATION CONCRETE/MASONRY

- NOTES:**
- INTERIOR AND EXTERIOR FINISHES, BY OTHERS, NOT SHOWN FOR CLARITY.
 - PERIMETER AND JOINT SEALANT BY OTHERS TO BE DESIGNED IN ACCORDANCE WITH ASTM E212

SIGNED: 08/26/2021

PROVIA, LLC.
 2150 STATE ROUTE 39 WEST
 SUGARCREEK, OH 44681

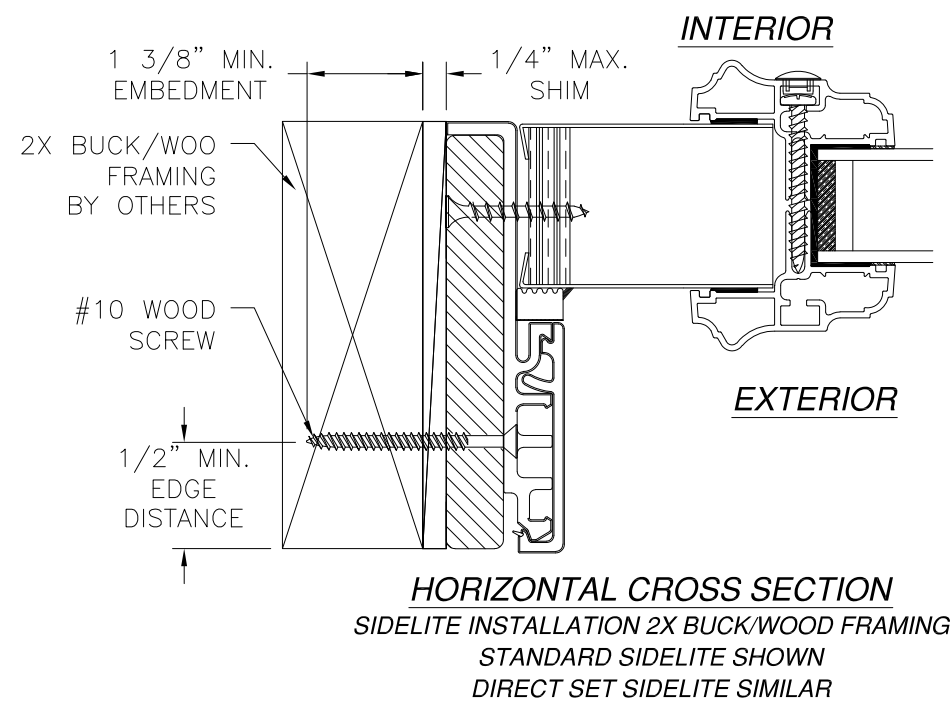
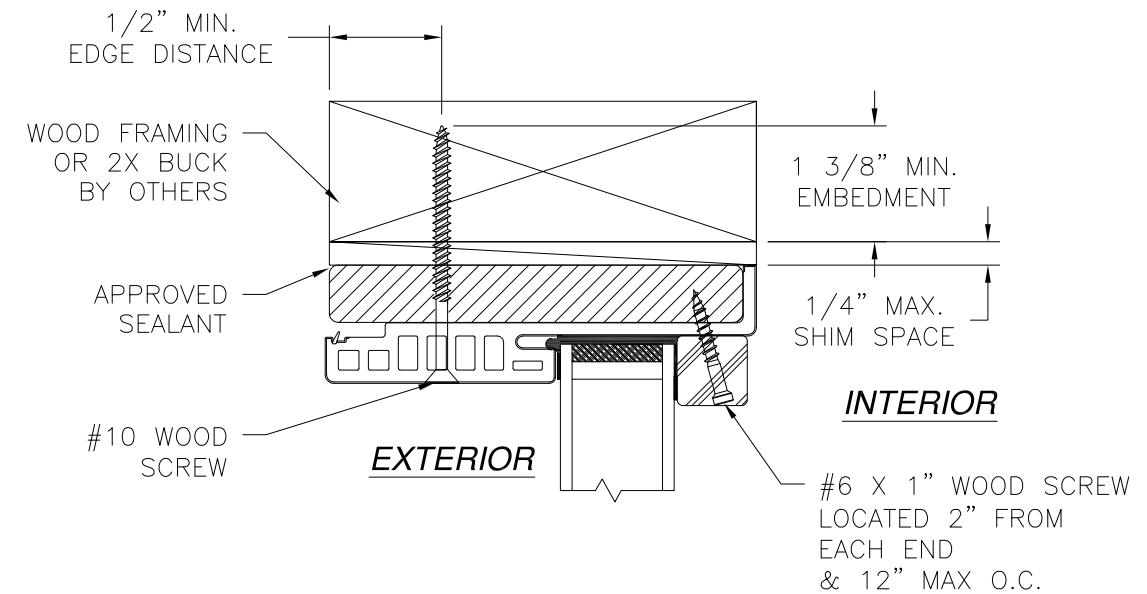
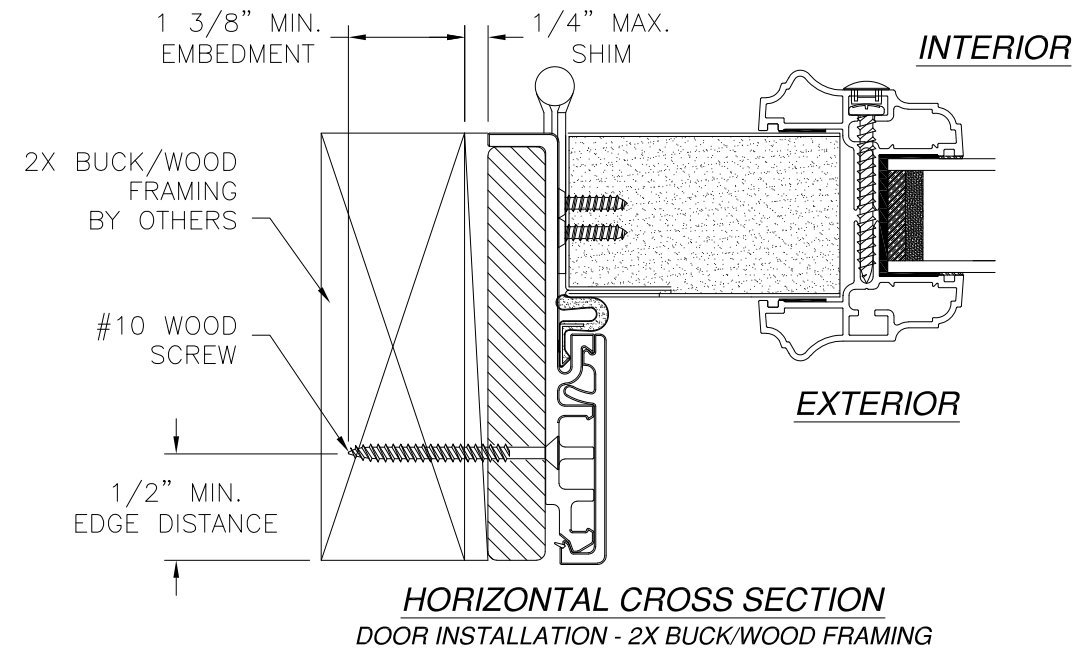
STEEL/FIBERGLASS INSWING GLAZED DOUBLE DOOR
 W/SIDELITES & TRANSOM NON-IMPACT
 INSTALLATION DETAILS

DRAWN: J.L.	DWG NO. 08-02072	REV J
SCALE NTS	DATE 06/19/13	SHEET 8 OF 17

L. ROBERTO LOMAS P.E.
 1432 WOODFORD RD LEWISVILLE, NC 27023
 434-688-0609 rllomas@rlomaspe.com

Luis R. Lomas P.E.
 FL No.: 62514

REVISIONS			
REV	DESCRIPTION	DATE	APPROVED
J	ADDED GLAZED FIR TRIMS	08/26/2021	R.L.



- NOTES:**
1. INTERIOR AND EXTERIOR FINISHES, BY OTHERS, NOT SHOWN FOR CLARITY.
 2. PERIMETER AND JOINT SEALANT BY OTHERS TO BE DESIGNED IN ACCORDANCE WITH ASTM E2112

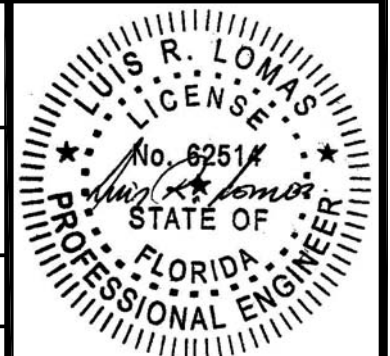
PROVIA, LLC.
2150 STATE ROUTE 39 WEST
SUGARCREEK, OH 44681

STEEL/FIBERGLASS INSWING GLAZED DOUBLE DOOR
W/SIDELITES & TRANSOM NON-IMPACT
INSTALLATION DETAILS W/FUSION FRAME

DRAWN: J.L.	DWG NO. 08-02072	REV J
SCALE NTS	DATE 06/19/13	SHEET 9 OF 17

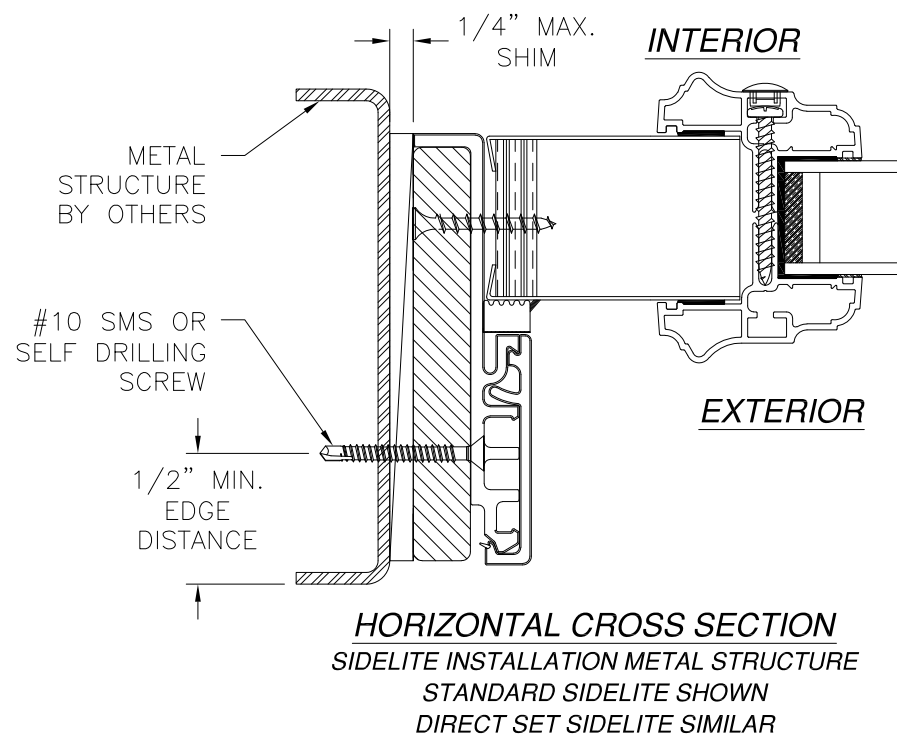
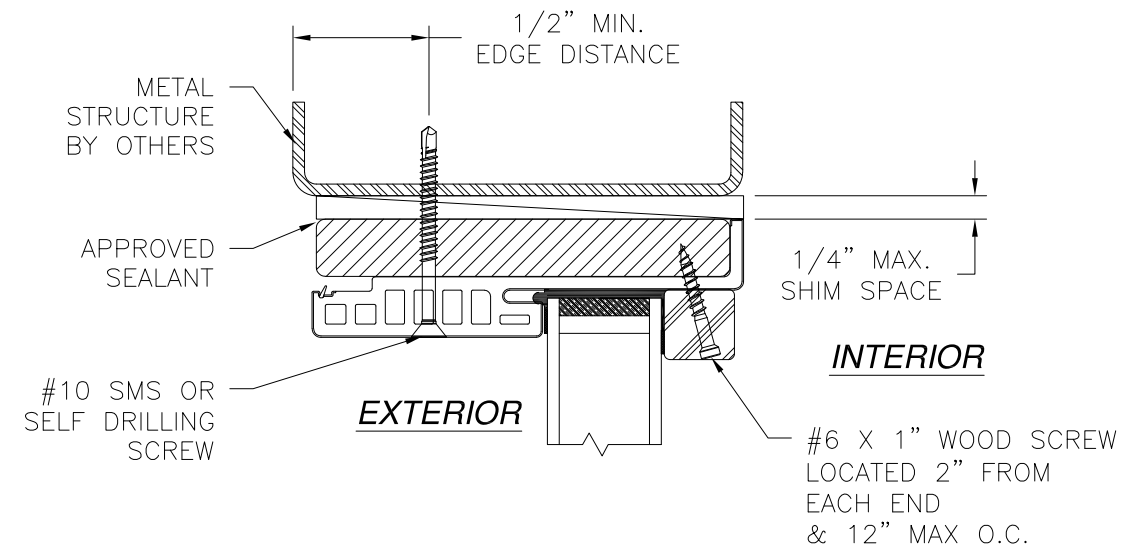
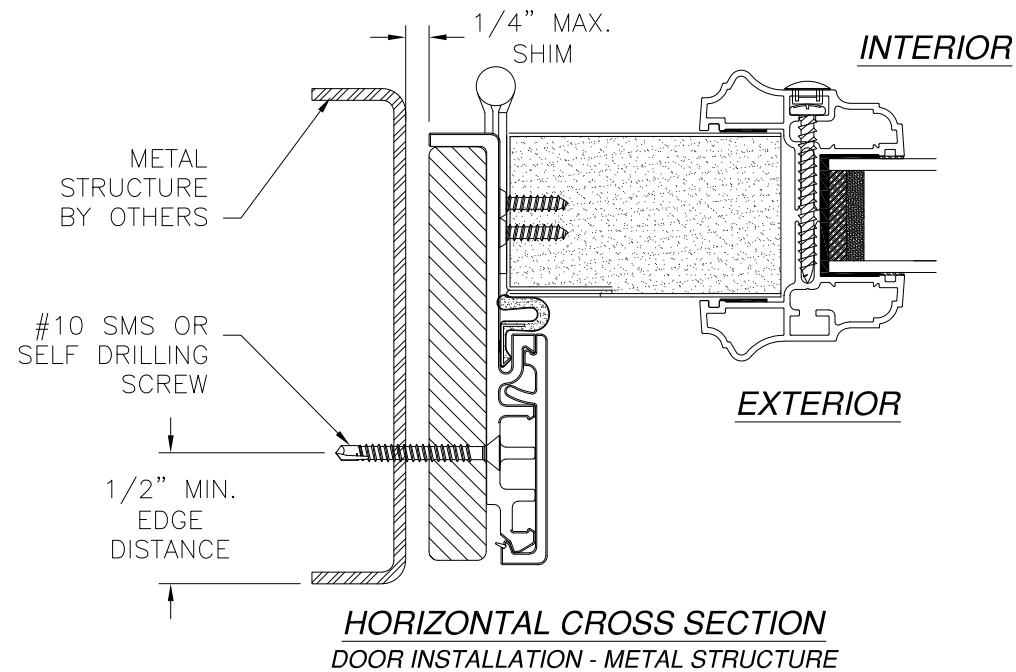
L. ROBERTO LOMAS P.E.
1432 WOODFORD RD LEWISVILLE, NC 27023
434-688-0609 rllomas@rlomaspe.com

SIGNED: 08/26/2021



Luis R. Lomas P.E.
FL No.: 62514

REVISIONS			
REV	DESCRIPTION	DATE	APPROVED
J	ADDED GLAZED FIR TRIMS	08/26/2021	R.L.



VERTICAL CROSS SECTION
TRANSOM INSTALLATION METAL STRUCTURE
 TRANSOM HEAD SHOWN
 TRANSOM JAMB SIMILAR

- NOTES:**
1. INTERIOR AND EXTERIOR FINISHES, BY OTHERS, NOT SHOWN FOR CLARITY.
 2. PERIMETER AND JOINT SEALANT BY OTHERS TO BE DESIGNED IN ACCORDANCE WITH ASTM E2112

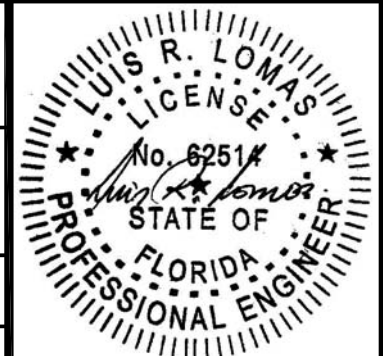
SIGNED: 08/26/2021

PROVIA, LLC.
 2150 STATE ROUTE 39 WEST
 SUGARCREEK, OH 44681

STEEL/FIBERGLASS INSWING GLAZED DOUBLE DOOR
 W/SIDELITES & TRANSOM NON-IMPACT
 INSTALLATION DETAILS W/FUSION FRAME

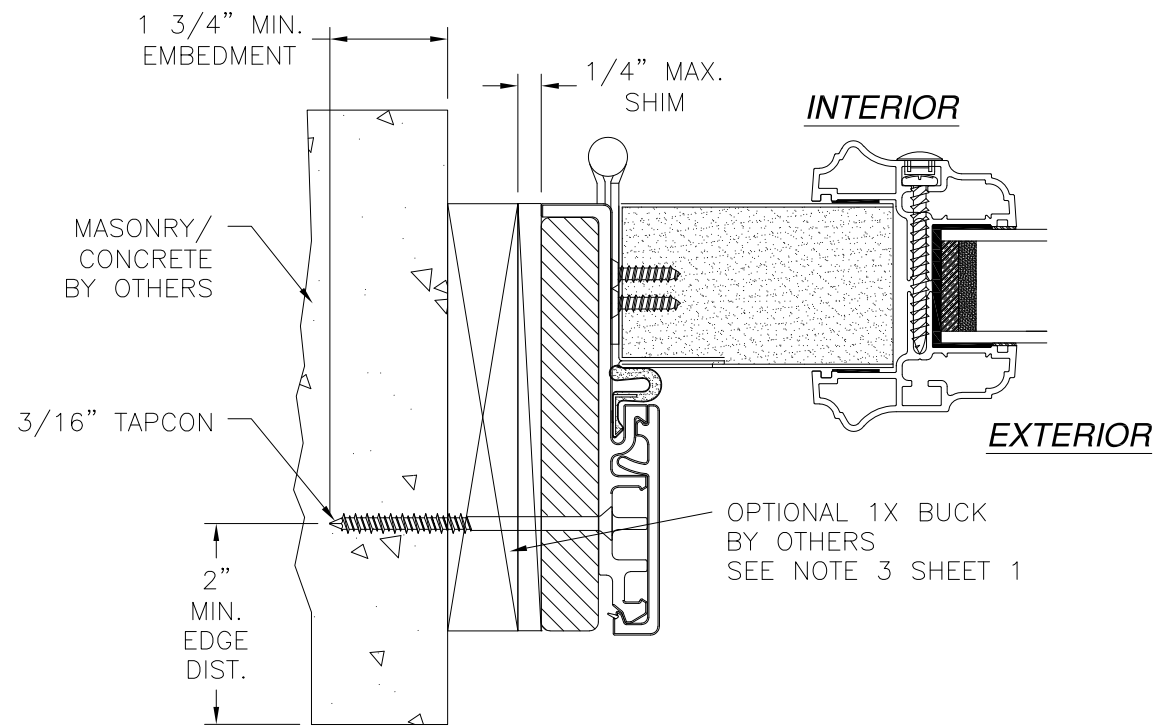
DRAWN: J.L.	DWG NO. 08-02072	REV J
SCALE NTS	DATE 06/19/13	SHEET 10 OF 17

L. ROBERTO LOMAS P.E.
 1432 WOODFORD RD LEWISVILLE, NC 27023
 434-688-0609 rllomas@rlomaspe.com

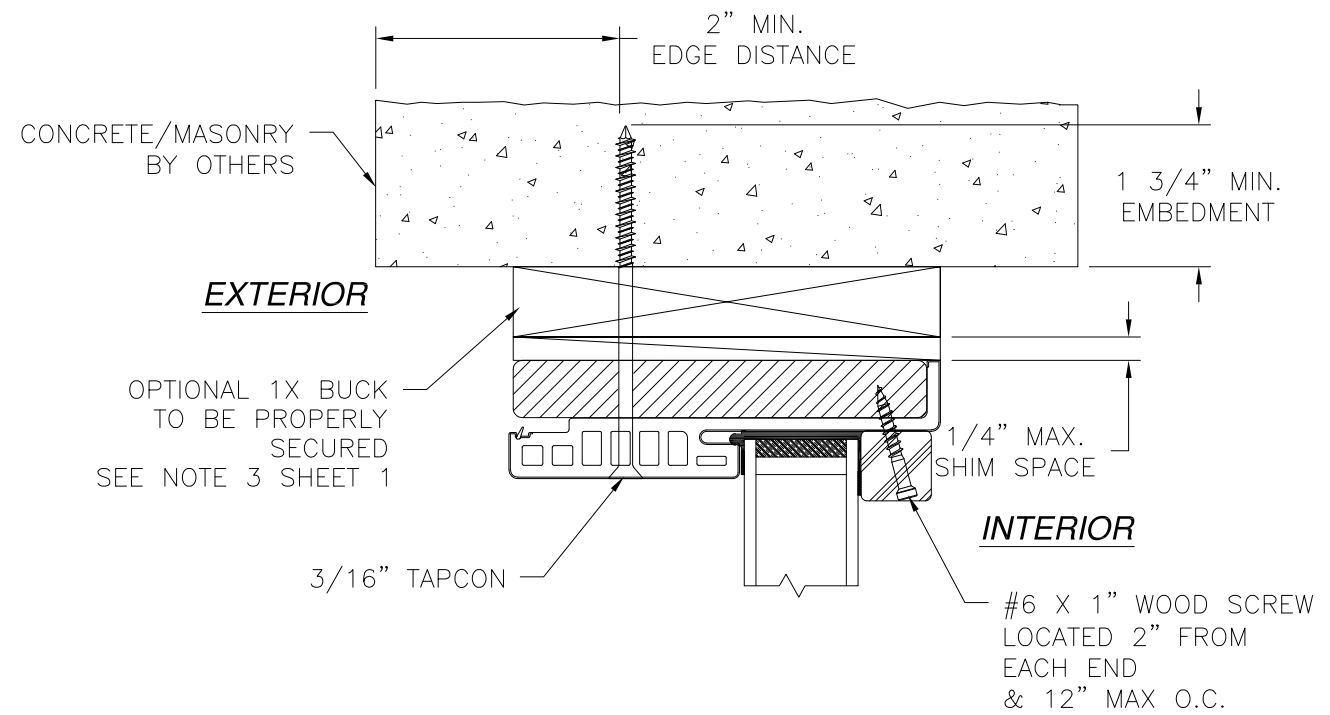


Luis R. Lomas P.E.
 FL No.: 62514

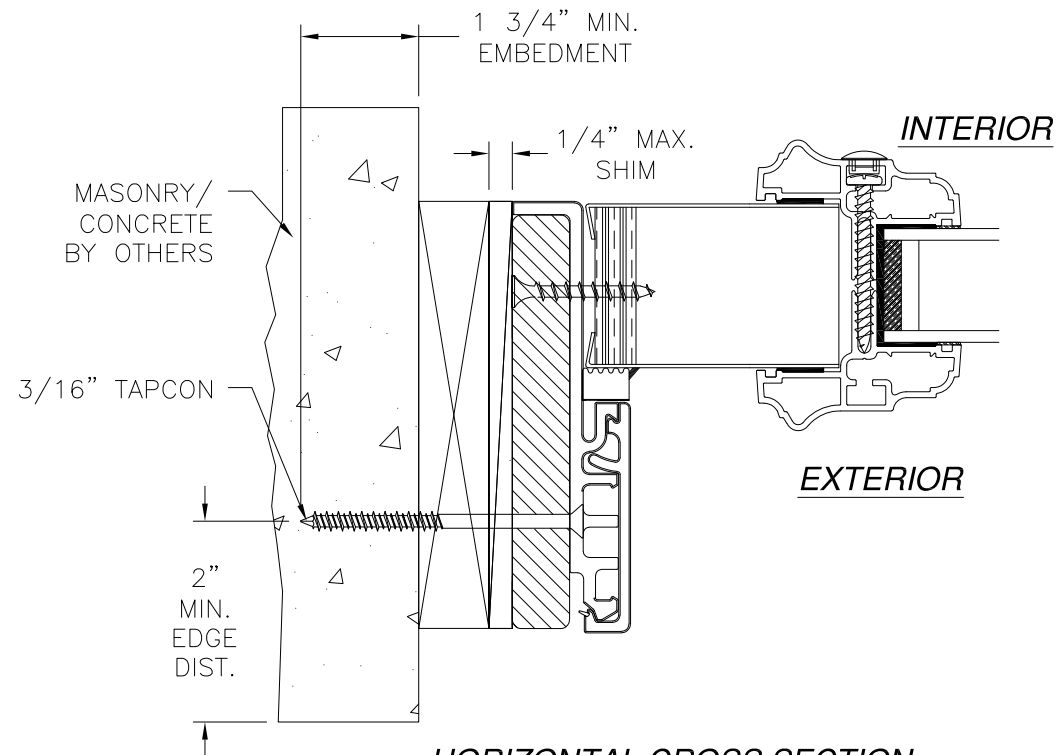
REVISIONS			
REV	DESCRIPTION	DATE	APPROVED
J	ADDED GLAZED FIR TRIMS	08/26/2021	R.L.



HORIZONTAL CROSS SECTION
DOOR INSTALLATION CONCRETE/MASONRY



VERTICAL CROSS SECTION
TRANSOM INSTALLATION CONCRETE/MASONRY
TRANSOM HEAD SHOWN
TRANSOM JAMB SIMILAR



HORIZONTAL CROSS SECTION
SIDELITE INSTALLATION MASONRY/CONCRETE
STANDARD SIDELITE SHOWN
DIRECT SET SIDELITE SIMILAR

- NOTES:**
- INTERIOR AND EXTERIOR FINISHES, BY OTHERS, NOT SHOWN FOR CLARITY.
 - PERIMETER AND JOINT SEALANT BY OTHERS TO BE DESIGNED IN ACCORDANCE WITH ASTM E2112

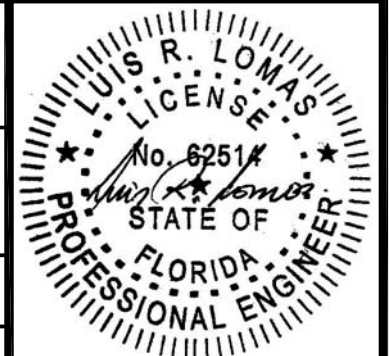
SIGNED: 08/26/2021

PROVIA, LLC.
2150 STATE ROUTE 39 WEST
SUGARCREEK, OH 44681

STEEL/FIBERGLASS INSWING GLAZED DOUBLE DOOR
W/SIDELITES & TRANSOM NON-IMPACT
INSTALLATION DETAILS W/FUSION FRAME

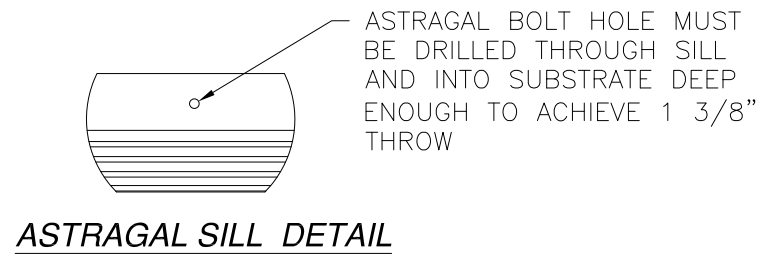
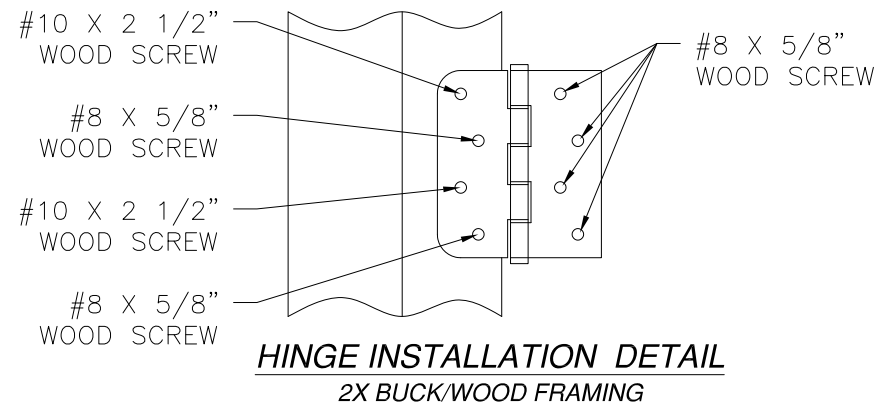
DRAWN: J.L.	DWG NO. 08-02072	REV J
SCALE NTS	DATE 06/19/13	SHEET 11 OF 17

L. ROBERTO LOMAS P.E.
1432 WOODFORD RD LEWISVILLE, NC 27023
434-688-0609 rllomas@rlomaspe.com

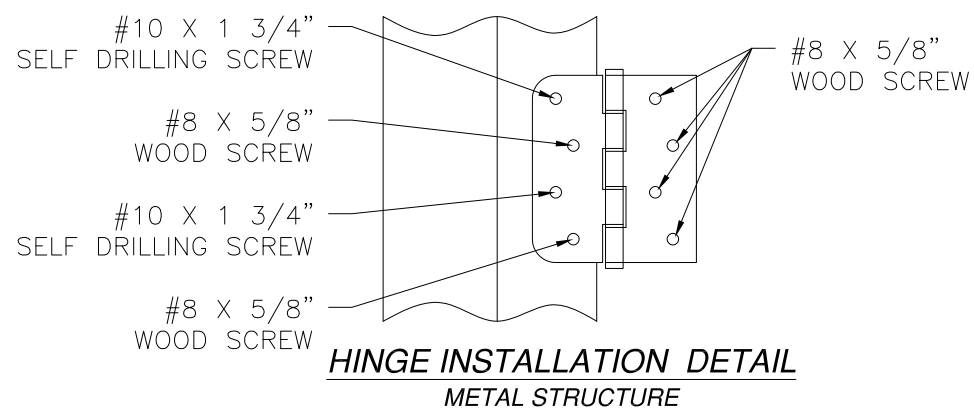
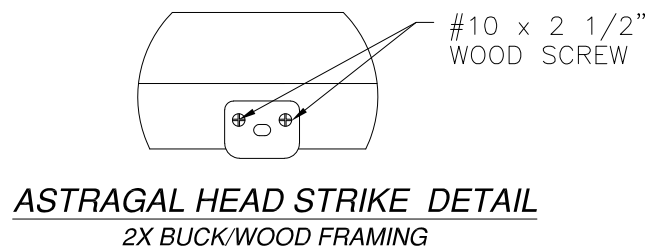
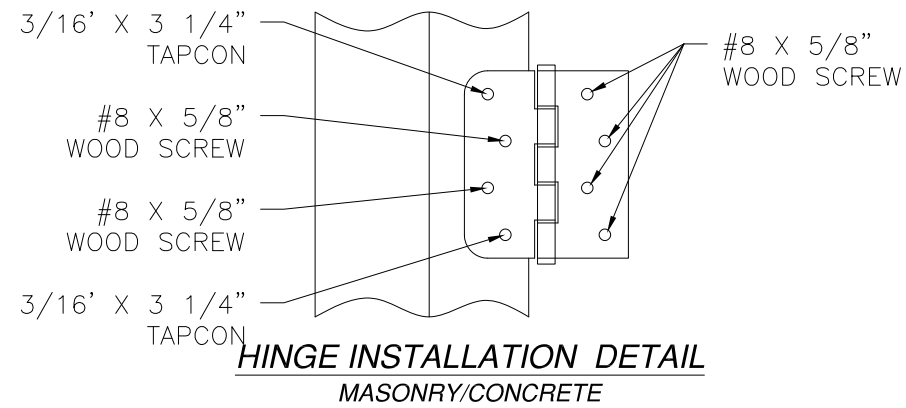
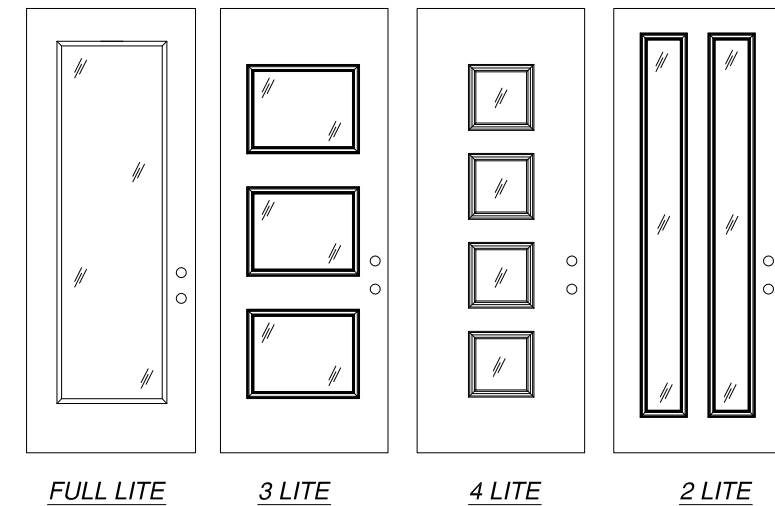


Luis R. Lomas P.E.
FL No.: 62514

REVISIONS			
REV	DESCRIPTION	DATE	APPROVED
J	ADDED GLAZED FIR TRIMS	08/26/2021	R.L.



APPROVED LITE CONFIGURATIONS



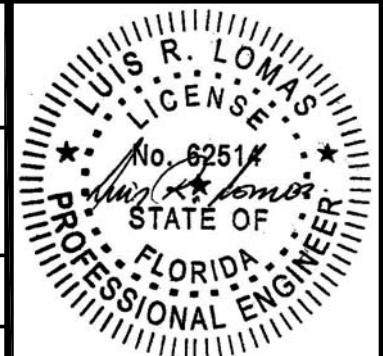
SIGNED: 08/26/2021

PROVIA, LLC.
2150 STATE ROUTE 39 WEST
SUGARCREEK, OH 44681

STEEL/FIBERGLASS INSWING GLAZED DOUBLE DOOR
W/SIDELITES & TRANSOM NON-IMPACT
INSTALLATION DETAILS & APPROVED CONFIGURATIONS

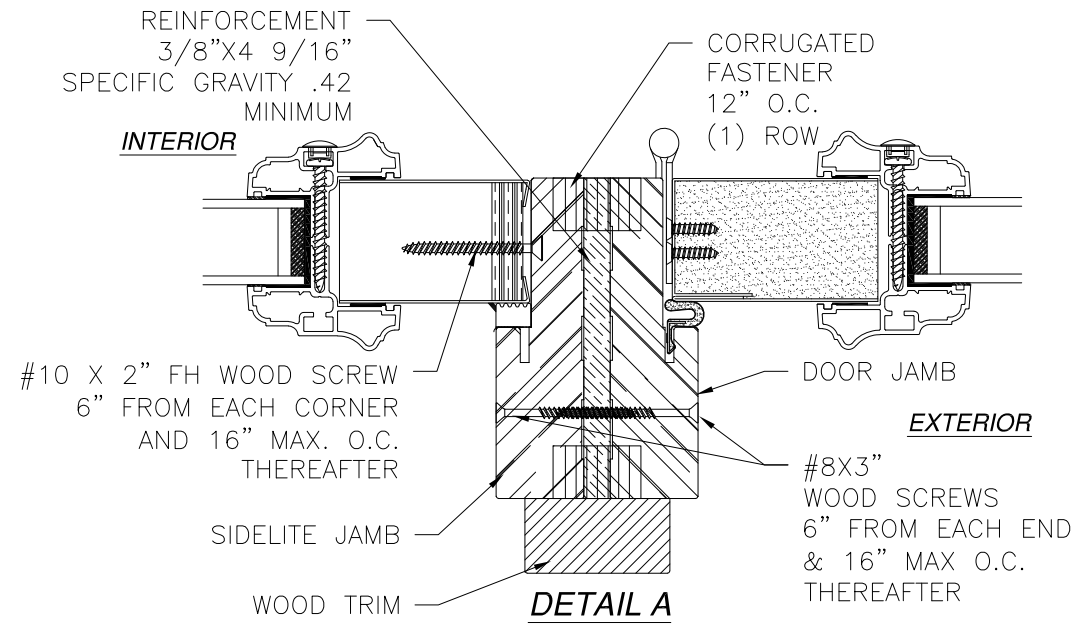
DRAWN: J.L.	DWG NO. 08-02072	REV J
SCALE NTS	DATE 06/19/13	SHEET 12 OF 17

L. ROBERTO LOMAS P.E.
1432 WOODFORD RD LEWISVILLE, NC 27023
434-688-0609 rllomas@rlomaspe.com

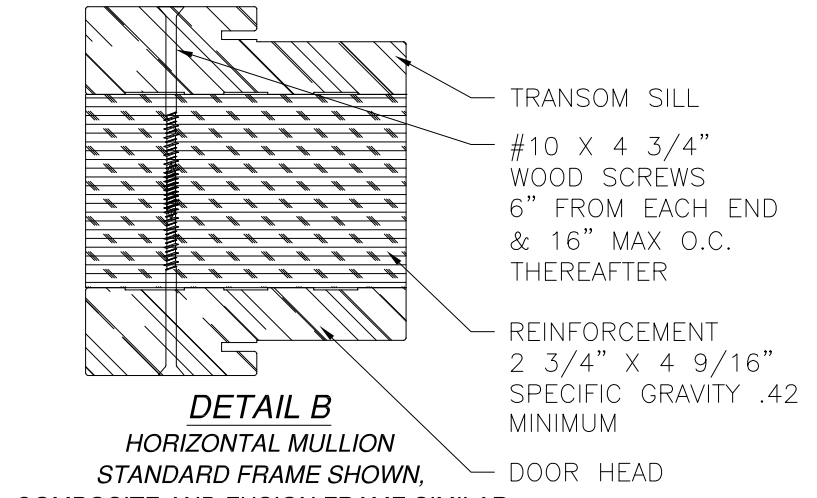


Luis R. Lomas P.E.
FL No.: 62514

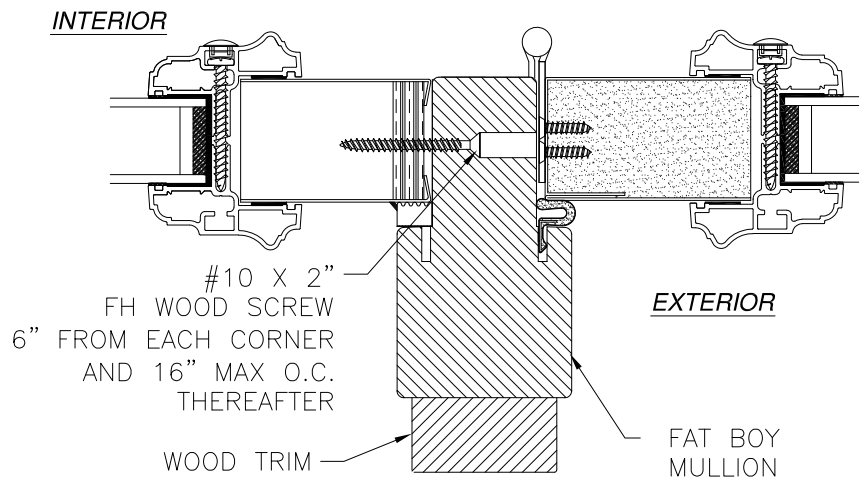
REVISIONS			
REV	DESCRIPTION	DATE	APPROVED
J	ADDED GLAZED FIR TRIMS	08/26/2021	R.L.



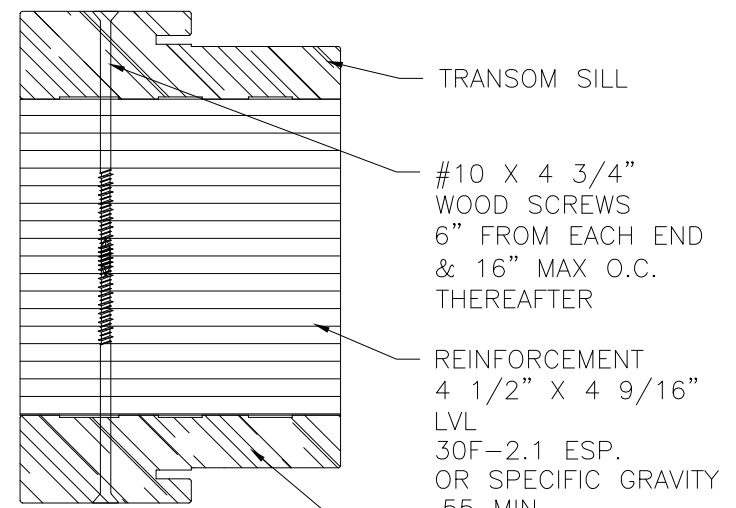
DETAIL A
VERTICAL MULLION
STANDARD FRAME SHOWN,
COMPOSITE AND FUSION FRAME SIMILAR



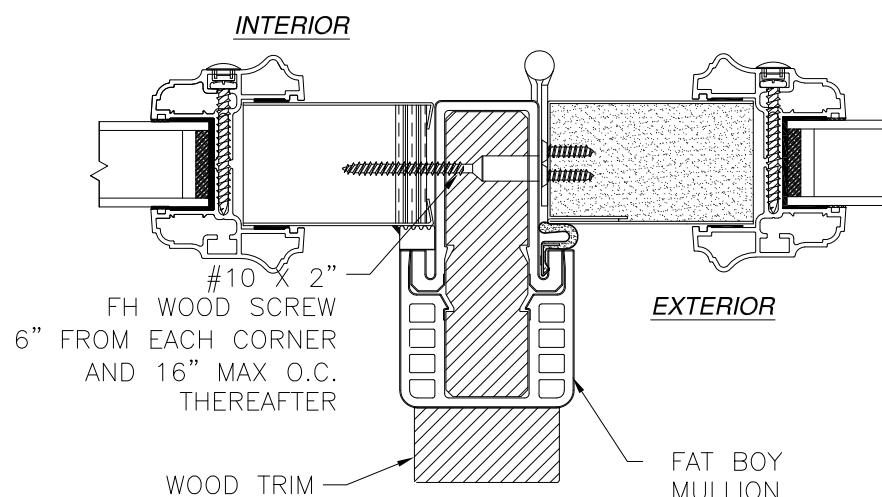
DETAIL B
HORIZONTAL MULLION
STANDARD FRAME SHOWN,
COMPOSITE AND FUSION FRAME SIMILAR



DETAIL A
WITH FAT BOY MULLION



DETAIL C
HORIZONTAL MULLION
STANDARD FRAME SHOWN,
COMPOSITE AND FUSION FRAME SIMILAR



DETAIL A
WITH HYBRID FAT BOY MULLION

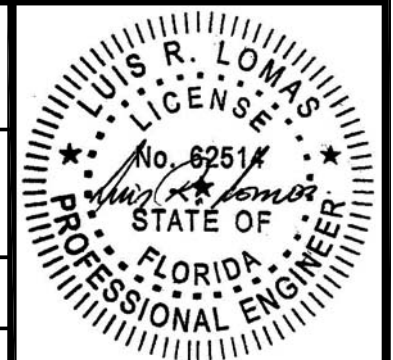
PROVIA, LLC.
2150 STATE ROUTE 39 WEST
SUGARCREEK, OH 44681

STEEL/FIBERGLASS INSWING GLAZED DOUBLE DOOR
W/SIDELITES & TRANSOM NON-IMPACT
MULLION DETAILS

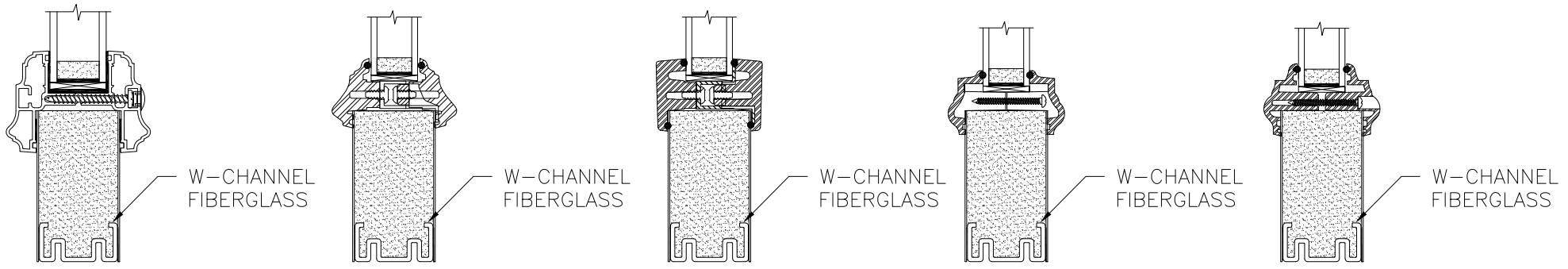
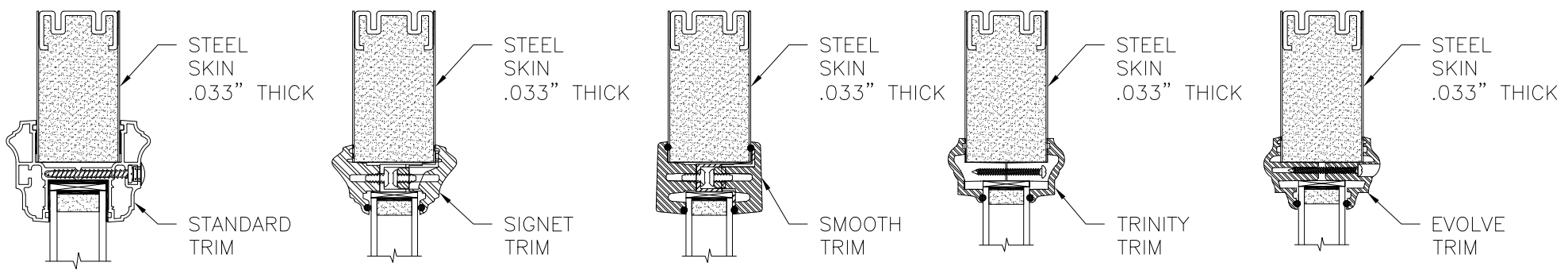
DRAWN: J.L.	DWG NO. 08-02072	REV J
SCALE NTS	DATE 06/19/13	SHEET 13 OF 17

L. ROBERTO LOMAS P.E.
1432 WOODFORD RD LEWISVILLE, NC 27023
434-688-0609 rllomas@rlomaspe.com

SIGNED: 08/26/2021



Luis R. Lomas P.E.
FL No.: 62514



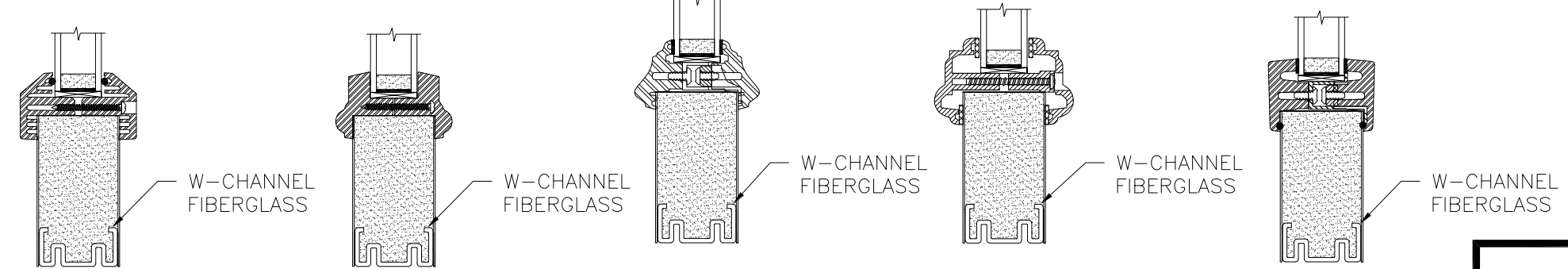
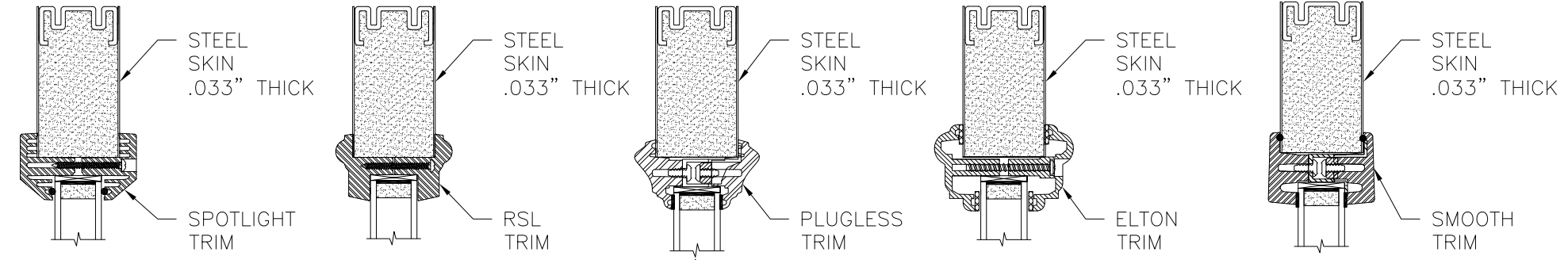
OPTION 1
STANDARD TRIM

OPTION 2
SIGNET TRIM

OPTION 3
SMOOTH TRIM

OPTION 4
TRINITY TRIM

OPTION 5
EVOLVE TRIM



OPTION 6
SPOTLIGHT TRIM

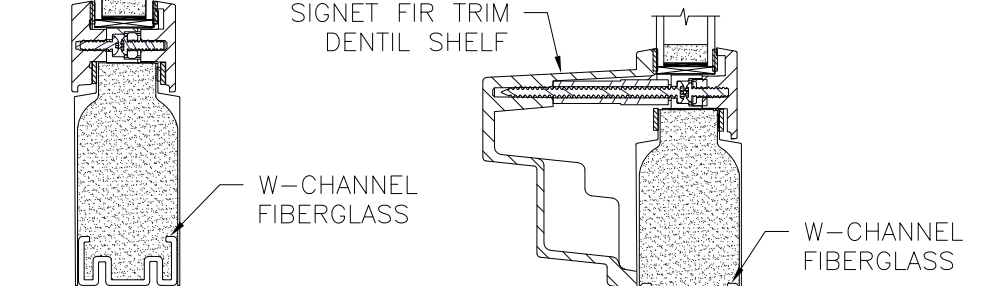
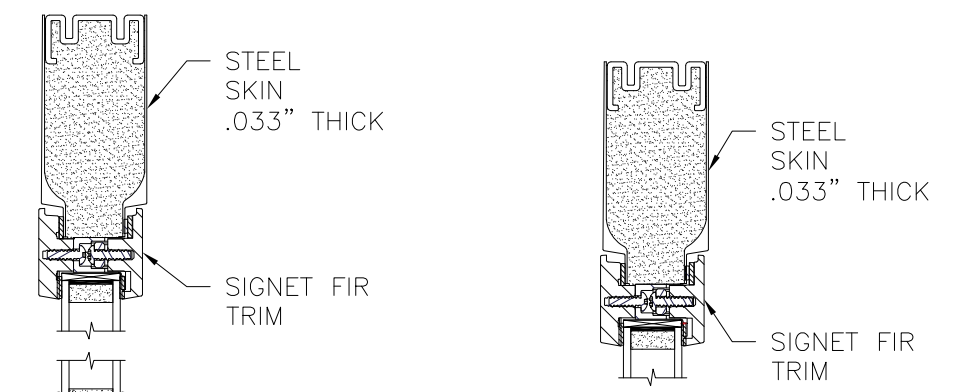
OPTION 7
RSL TRIM

OPTION 8
PLUGLESS TRIM
W/TAPE

OPTION 9
ELTON TRIM

OPTION 10
SMOOTH TRIM
W/TAPE

REVISIONS			
REV	DESCRIPTION	DATE	APPROVED
J	ADDED GLAZED FIR TRIMS	08/26/2021	R.L.



OPTION 11
SIGNET FIR TRIM

OPTION 12
SIGNET FIR &
DENTIL SHELF TRIM

APPROVED SLABS AND TRIMS

PROVIA, LLC.
2150 STATE ROUTE 39 WEST
SUGARCREEK, OH 44681

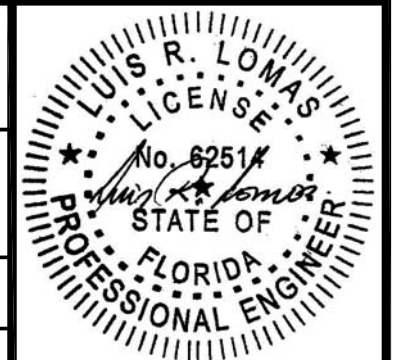
STEEL/FIBERGLASS INSWING GLAZED DOUBLE DOOR
W/SIDELITES & TRANSOM NON-IMPACT
APPROVED SLABS AND TRIMS

DRAWN: J.L. DWG NO. 08-02072 REV J

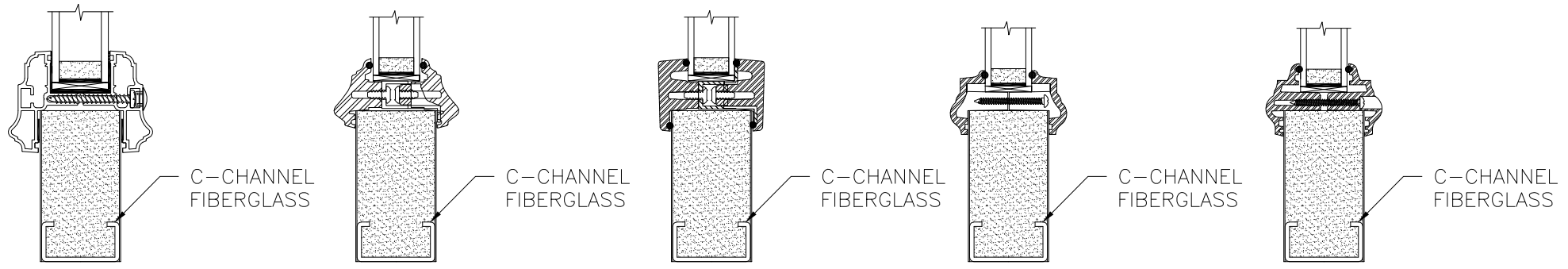
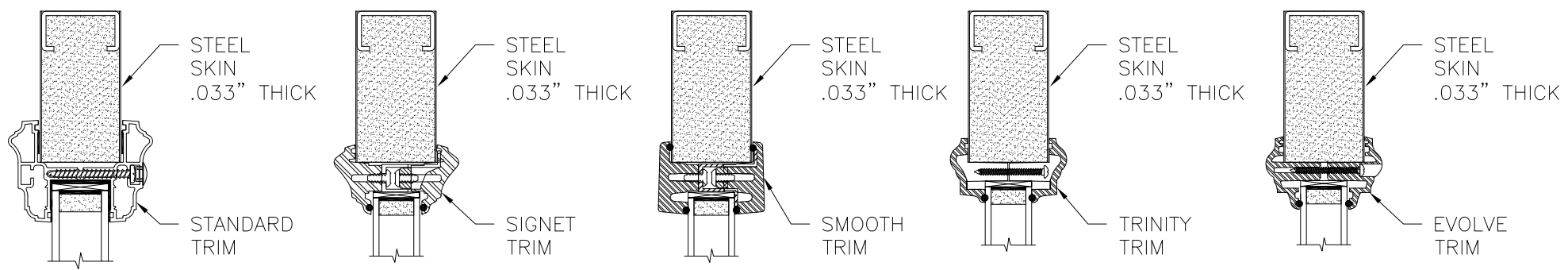
SCALE NTS DATE 06/19/13 SHEET 14 OF 17

L. ROBERTO LOMAS P.E.
1432 WOODFORD RD LEWISVILLE, NC 27023
434-688-0609 rllomas@rlomaspe.com

SIGNED: 08/26/2021



Luis R. Lomas P.E.
FL No.: 62514



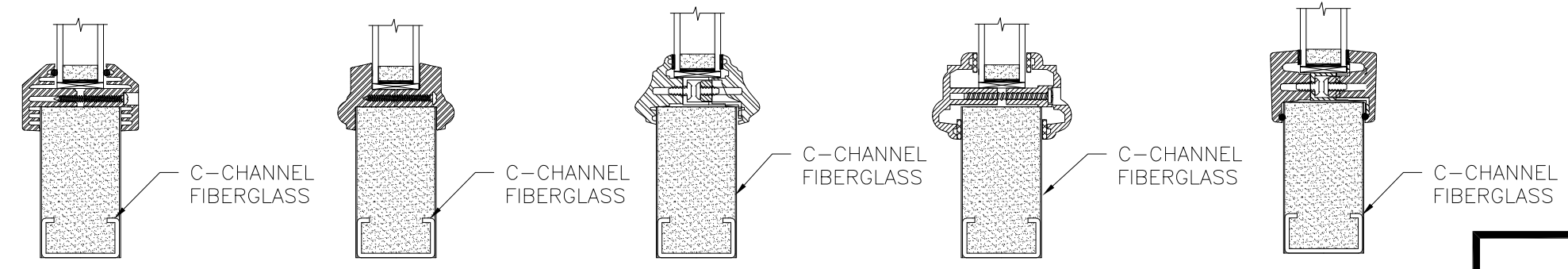
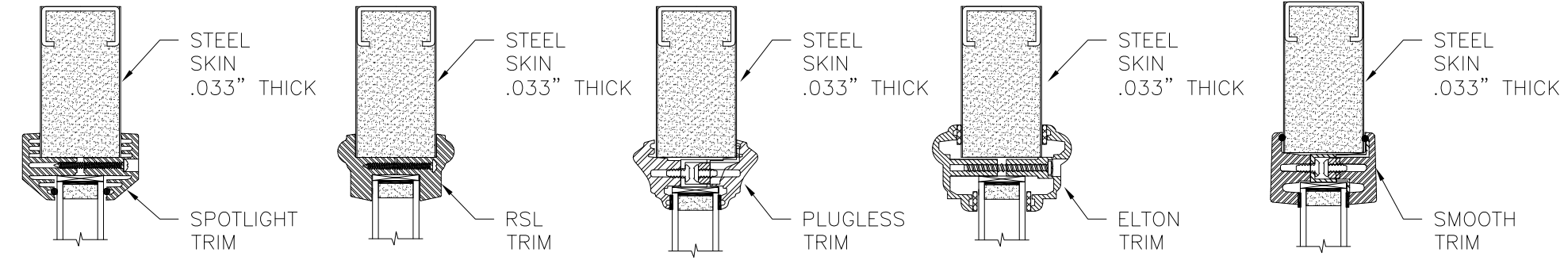
OPTION 13
STANDARD TRIM

OPTION 14
SIGNET TRIM

OPTION 15
SMOOTH TRIM

OPTION 16
TRINITY TRIM

OPTION 17
EVOLVE TRIM



OPTION 18
SPOTLIGHT TRIM

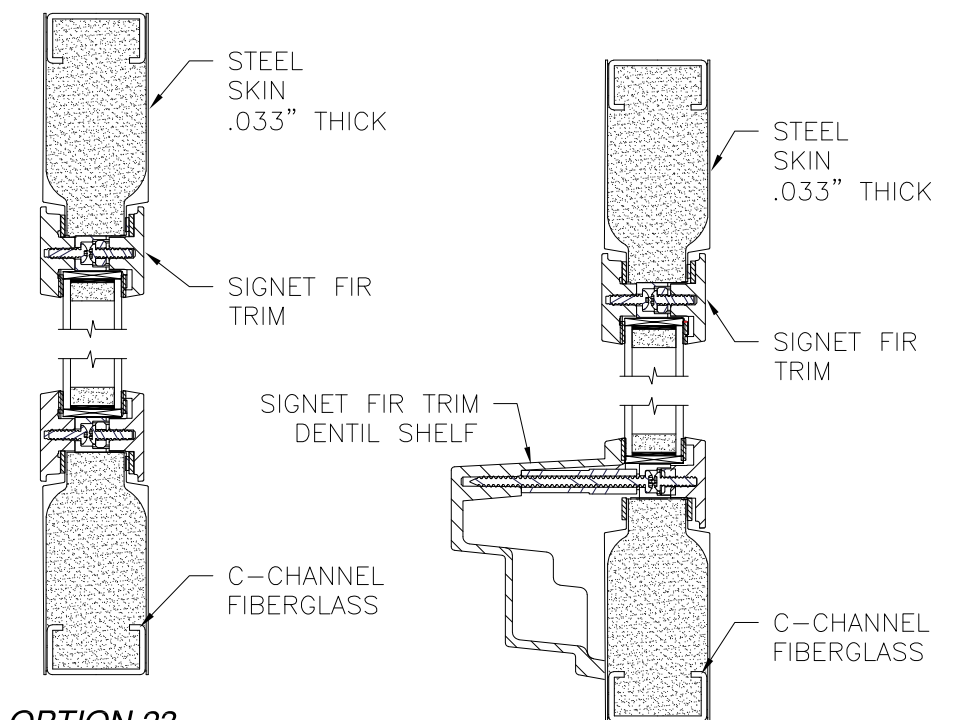
OPTION 19
RSL TRIM

OPTION 20
PLUGLESS TRIM
W/TAPE

OPTION 21
ELTON TRIM

OPTION 22
SMOOTH TRIM
W/TAPE

REVISIONS			
REV	DESCRIPTION	DATE	APPROVED
J	ADDED GLAZED FIR TRIMS	08/26/2021	R.L.



OPTION 23
SIGNET FIR TRIM

OPTION 24
SIGNET FIR &
DENTIL SHELF TRIM

APPROVED SLABS AND TRIMS

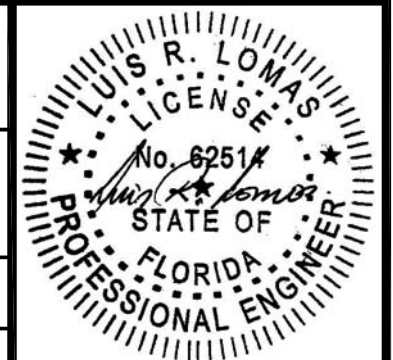
PROVIA, LLC.
2150 STATE ROUTE 39 WEST
SUGARCREEK, OH 44681

STEEL/FIBERGLASS INSWING GLAZED DOUBLE DOOR
W/SIDELITES & TRANSOM NON-IMPACT
APPROVED SLABS AND TRIMS

DRAWN: J.L.	DWG NO. 08-02072	REV J
SCALE NTS	DATE 06/19/13	SHEET 15 OF 17

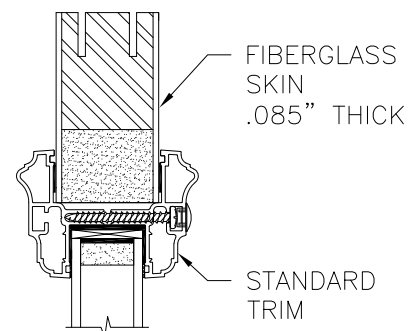
L. ROBERTO LOMAS P.E.
1432 WOODFORD RD LEWISVILLE, NC 27023
434-688-0609 rllomas@rlomaspe.com

SIGNED: 08/26/2021



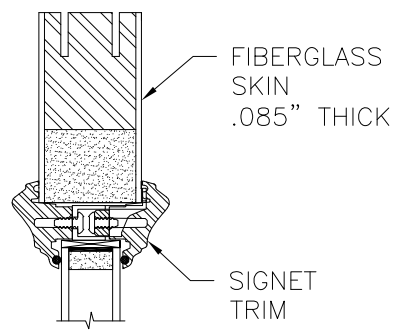
Luis R. Lomas P.E.
FL No.: 62514

REVISIONS			
REV	DESCRIPTION	DATE	APPROVED
J	ADDED GLAZED FIR TRIMS	08/26/2021	R.L.



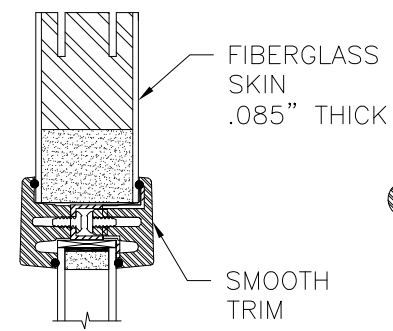
FIBERGLASS SKIN
.085" THICK
STANDARD TRIM

OPTION 25
STANDARD TRIM



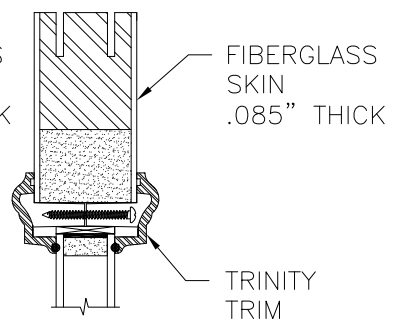
FIBERGLASS SKIN
.085" THICK
SIGNET TRIM

OPTION 26
SIGNET TRIM



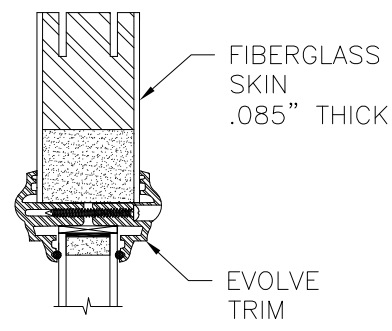
FIBERGLASS SKIN
.085" THICK
SMOOTH TRIM

OPTION 27
SMOOTH TRIM



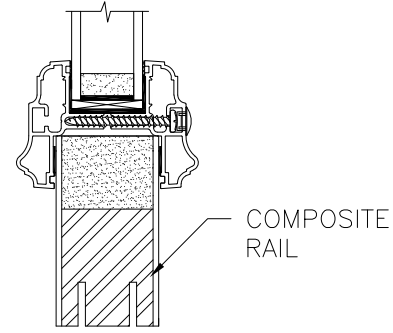
FIBERGLASS SKIN
.085" THICK
TRINITY TRIM

OPTION 28
TRINITY TRIM

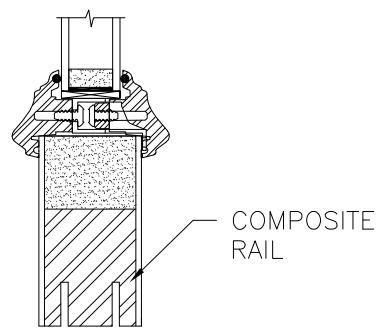


FIBERGLASS SKIN
.085" THICK
EVOLVE TRIM

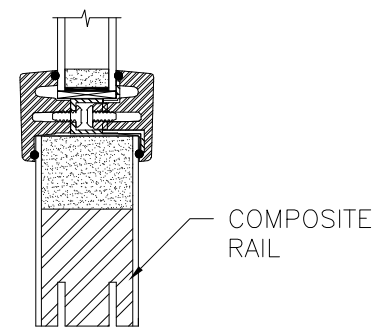
OPTION 29
EVOLVE TRIM



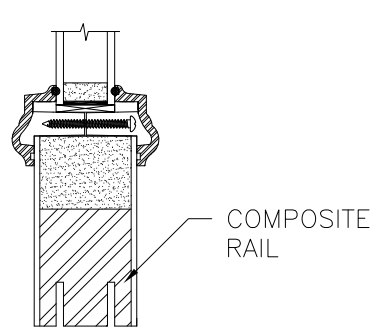
COMPOSITE RAIL



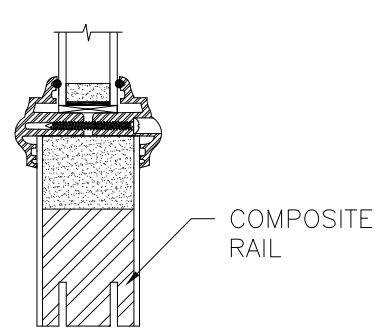
COMPOSITE RAIL



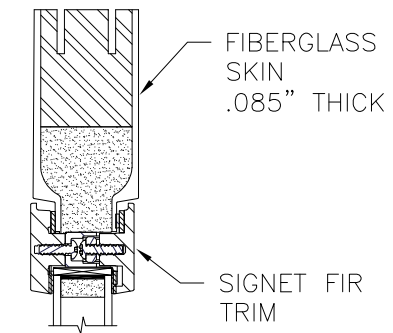
COMPOSITE RAIL



COMPOSITE RAIL

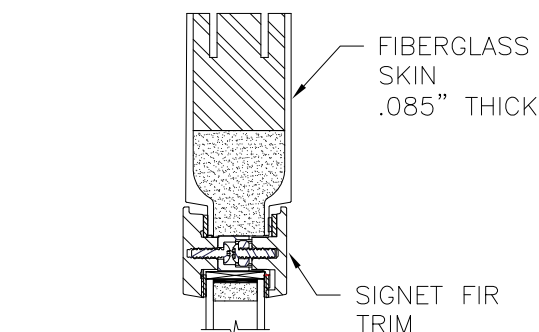


COMPOSITE RAIL



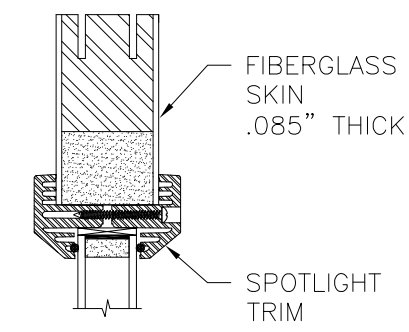
FIBERGLASS SKIN
.085" THICK
SIGNET FIR TRIM

OPTION 35
SIGNET FIR TRIM



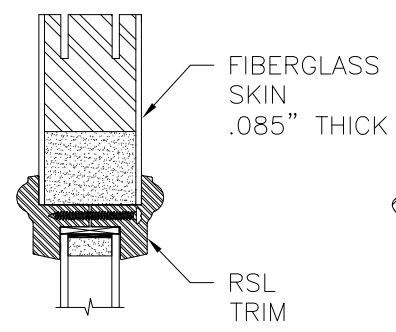
FIBERGLASS SKIN
.085" THICK
SIGNET FIR TRIM

OPTION 36
SIGNET FIR &
DENTIL SHELF TRIM



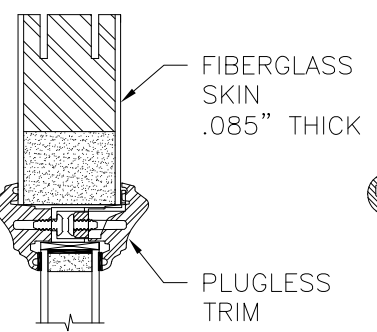
FIBERGLASS SKIN
.085" THICK
SPOTLIGHT TRIM

OPTION 30
SPOTLIGHT TRIM



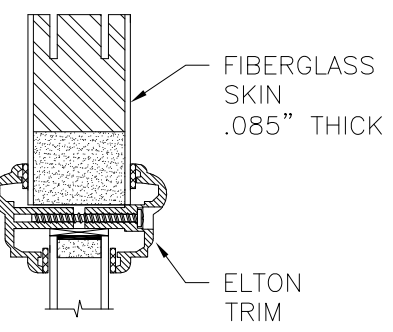
FIBERGLASS SKIN
.085" THICK
RSL TRIM

OPTION 31
RSL TRIM



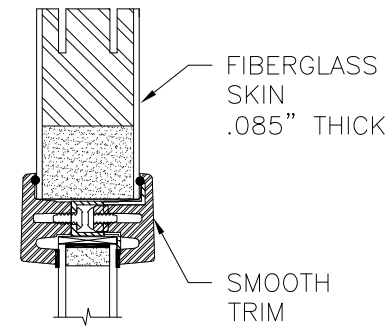
FIBERGLASS SKIN
.085" THICK
PLUGLESS TRIM

OPTION 32
PLUGLESS TRIM
W/TAPE



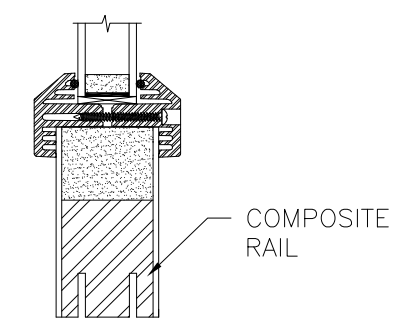
FIBERGLASS SKIN
.085" THICK
ELTON TRIM

OPTION 33
ELTON TRIM

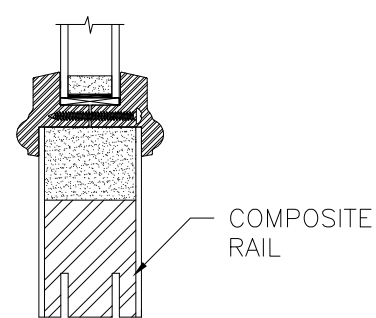


FIBERGLASS SKIN
.085" THICK
SMOOTH TRIM

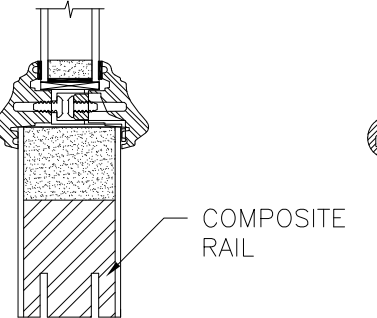
OPTION 34
SMOOTH TRIM
W/TAPE



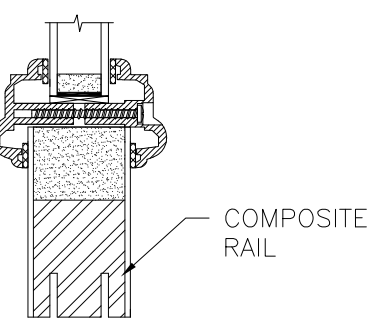
COMPOSITE RAIL



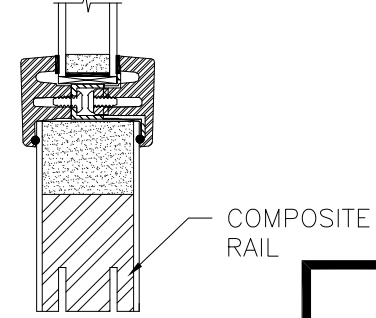
COMPOSITE RAIL



COMPOSITE RAIL



COMPOSITE RAIL



COMPOSITE RAIL

APPROVED SLABS AND TRIMS

SIGNED: 08/26/2021

PROVIA, LLC.
2150 STATE ROUTE 39 WEST
SUGARCREEK, OH 44681

STEEL/FIBERGLASS INSWING GLAZED DOUBLE DOOR
W/SIDELITES & TRANSOM NON-IMPACT
APPROVED SLABS AND TRIMS

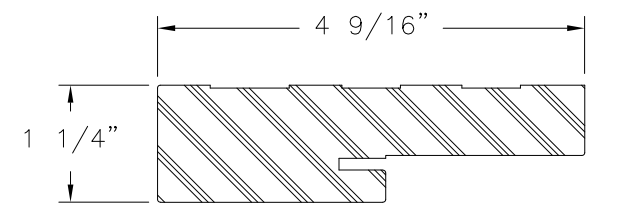
DRAWN: J.L. DWG NO. 08-02072 REV J

SCALE NTS DATE 06/19/13 SHEET 16 OF 17

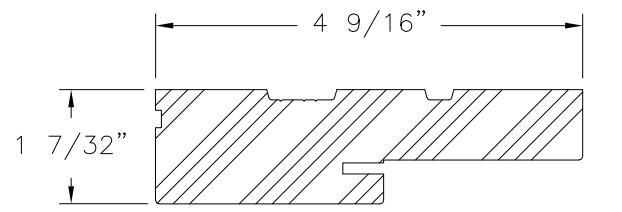
L. ROBERTO LOMAS P.E.
1432 WOODFORD RD LEWISVILLE, NC 27023
434-688-0609 rllomas@lrlomaspe.com

LUIS R. LOMAS
LICENSED PROFESSIONAL ENGINEER
No. 62514
STATE OF FLORIDA

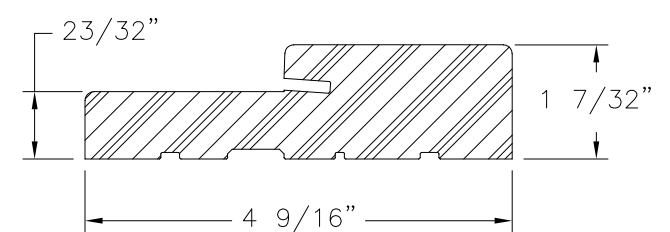
Luis R. Lomas P.E.
FL No.: 62514



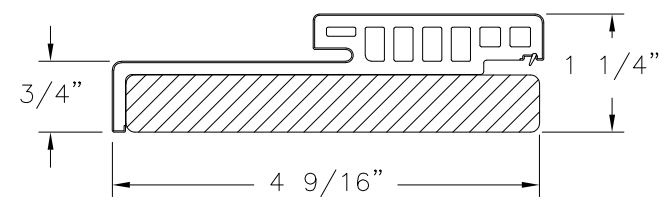
COMPOSITE FRAME PROFILE



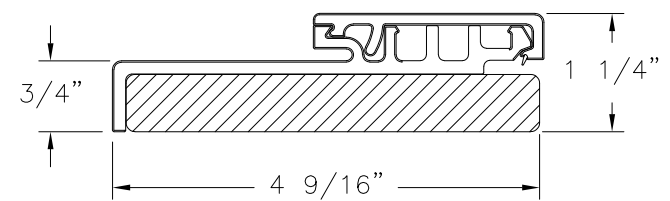
WOOD FRAME PROFILE



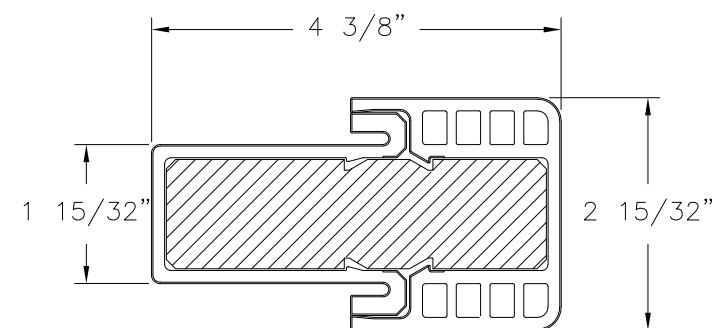
**FRAMESAVER
COMPOSITE**



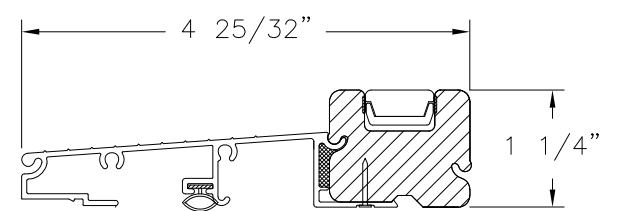
**HYBRID HEAD
WOOD/COMPOSITE**



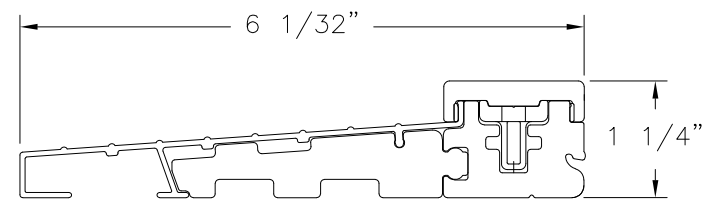
**HYBRID JAMB
WOOD/COMPOSITE**



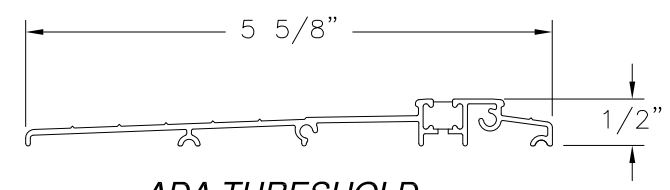
**HYBRID FAT BOY MULLION
COMPOSITE**



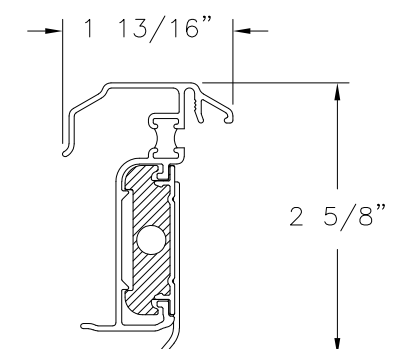
SAHARA INSWING THRESHOLD



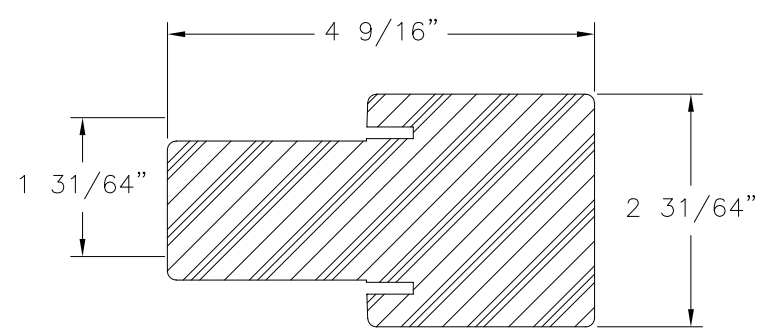
STANDARD INSWING THRESHOLD



ADA THRESHOLD

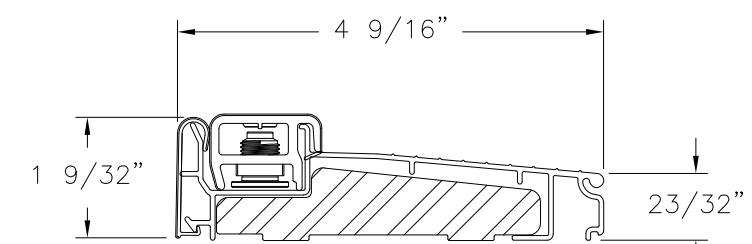


HURRICANE ASTRAGAL DETAIL

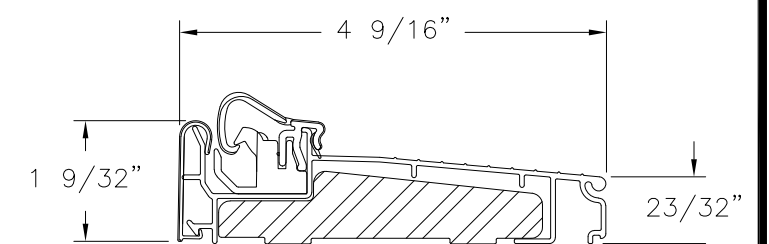


**FAT BOY MULLION
COMPOSITE**

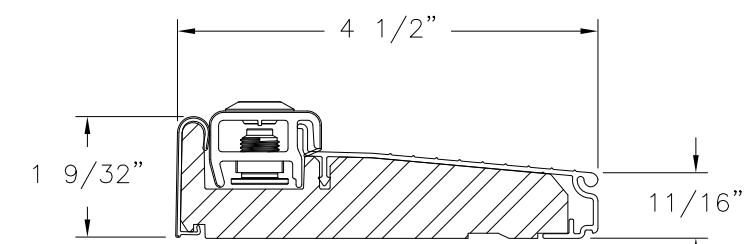
REVISIONS			
REV	DESCRIPTION	DATE	APPROVED
J	ADDED GLAZED FIR TRIMS	08/26/2021	R.L.



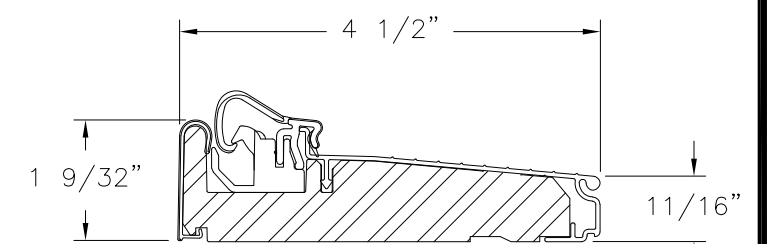
INSWING SILL ZAIL4565



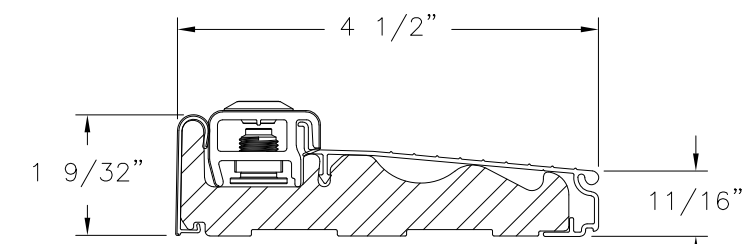
INSWING SILL ZAACL4565



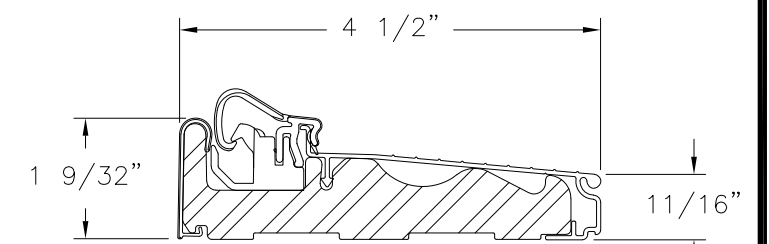
INSWING SILL ZAI4565F



INSWING SILL ZAC4565F



INSWING SILL ZAILH4565



INSWING SILL ZAACLH4565

SIGNED: 08/26/2021

PROVIA, LLC.
2150 STATE ROUTE 39 WEST
SUGARCREEK, OH 44681

STEEL/FIBERGLASS INSWING GLAZED DOUBLE DOOR
W/SIDELITES & TRANSOM NON-IMPACT
COMPONENTS

DRAWN: J.L.	DWG NO. 08-02072	REV J
SCALE NTS	DATE 06/19/13	SHEET 17 OF 17

L. ROBERTO LOMAS P.E.
1432 WOODFORD RD LEWISVILLE, NC 27023
434-688-0609 rllomas@lrlomaspe.com

Professional Engineer Seal for Luis R. Lomas, State of Florida, License No. 62514.