

REVISIONS			
REV	DESCRIPTION	DATE	APPROVED
G	REVISED SLABS OPTIONS	01/29/2021	R.L.

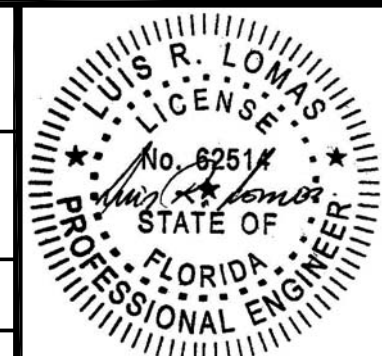
NOTES:

1. THE PRODUCT SHOWN HEREIN IS DESIGNED AND MANUFACTURED TO COMPLY WITH REQUIREMENTS OF THE FLORIDA BUILDING CODE.
2. WOOD FRAMING, METAL STRUCTURE AND MASONRY OPENING TO BE DESIGNED AND ANCHORED TO PROPERLY TRANSFER ALL LOADS TO STRUCTURE. FRAMING AND MASONRY OPENING IS THE RESPONSIBILITY OF THE ARCHITECT OR ENGINEER OF RECORD.
3. 1X BUCK OVER MASONRY/CONCRETE IS OPTIONAL. WHERE 1X BUCK IS NOT USED DISSIMILAR MATERIALS MUST BE SEPARATED WITH APPROVED COATING OR MEMBRANE. SELECTION OF COATING OR MEMBRANE IS THE RESPONSIBILITY OF THE ARCHITECT OR ENGINEER OF RECORD.
4. ALLOWABLE STRESS INCREASE OF 1/3 WAS NOT USED IN THE DESIGN OF THE PRODUCT SHOWN HEREIN. WIND LOAD DURATION FACTOR Cd=1.6 WAS USED FOR WOOD ANCHOR CALCULATIONS.
5. FRAME MATERIAL: WOOD WITH G=.46 MINIMUM SPECIFIC GRAVITY, OR COMPOSITE, OR FRAMESAVER OR FUSION FRAME.  
DOOR SKIN MATERIAL: STEEL .033" THICK (MINIMUM) AND FIBERGLASS .085" THICK(MINIMUM).
6. APPROVED IMPACT PROTECTIVE SYSTEM IS REQUIRED FOR THIS PRODUCT IN WIND BORNE DEBRIS REGIONS.
7. SHIM AS REQUIRED AT EACH INSTALLATION ANCHOR WITH LOAD BEARING SHIM. SHIM WHERE SPACE OF 1/16" OR GREATER OCCURS. MAXIMUM ALLOWABLE SHIM STACK TO BE 1/4".
8. FOR ANCHORING INTO WOOD FRAMING OR 2X BUCK USE #8 WOOD SCREWS WITH SUFFICIENT LENGTH TO ACHIEVE A 1 1/4" MINIMUM EMBEDMENT INTO SUBSTRATE. LOCATE ANCHORS AS SHOWN IN ELEVATIONS AND INSTALLATION DETAILS.
9. FOR ANCHORING INTO MASONRY/CONCRETE USE 3/16" TAPCONS WITH SUFFICIENT LENGTH TO ACHIEVE A 1 1/4" MINIMUM EMBEDMENT INTO SUBSTRATE WITH 2" MINIMUM EDGE DISTANCE. LOCATE ANCHORS AS SHOWN IN ELEVATIONS AND INSTALLATION DETAILS.
10. FOR ANCHORING INTO METAL STRUCTURE USE #8 SMS OR SELF DRILLING SCREWS WITH SUFFICIENT LENGTH TO ACHIEVE 3 THREADS MINIMUM BEYOND STRUCTURE INTERIOR WALL. LOCATE ANCHORS AS SHOWN IN ELEVATIONS AND INSTALLATION DETAILS.
11. ALL FASTENERS TO BE CORROSION RESISTANT.
12. INSTALLATION ANCHORS SHALL BE INSTALLED IN ACCORDANCE WITH ANCHOR MANUFACTURER'S INSTALLATION INSTRUCTIONS AND ANCHORS SHALL NOT BE USED IN SUBSTRATES WITH STRENGTHS LESS THAN THE MINIMUM STRENGTH SPECIFIED BELOW:
  - A. WOOD – MINIMUM SPECIFIC GRAVITY OF G=0.42
  - B. CONCRETE – MINIMUM COMPRESSIVE STRENGTH OF 3,192 PSI.
  - C. MASONRY – STRENGTH CONFORMANCE TO ASTM C-90, GRADE N, TYPE 1 (OR GREATER).
  - D. METAL STRUCTURE: STEEL 18GA, 33KSI OR ALUMINUM 6063-T5 .048" THICK MINIMUM

SIGNED: 01/29/2021

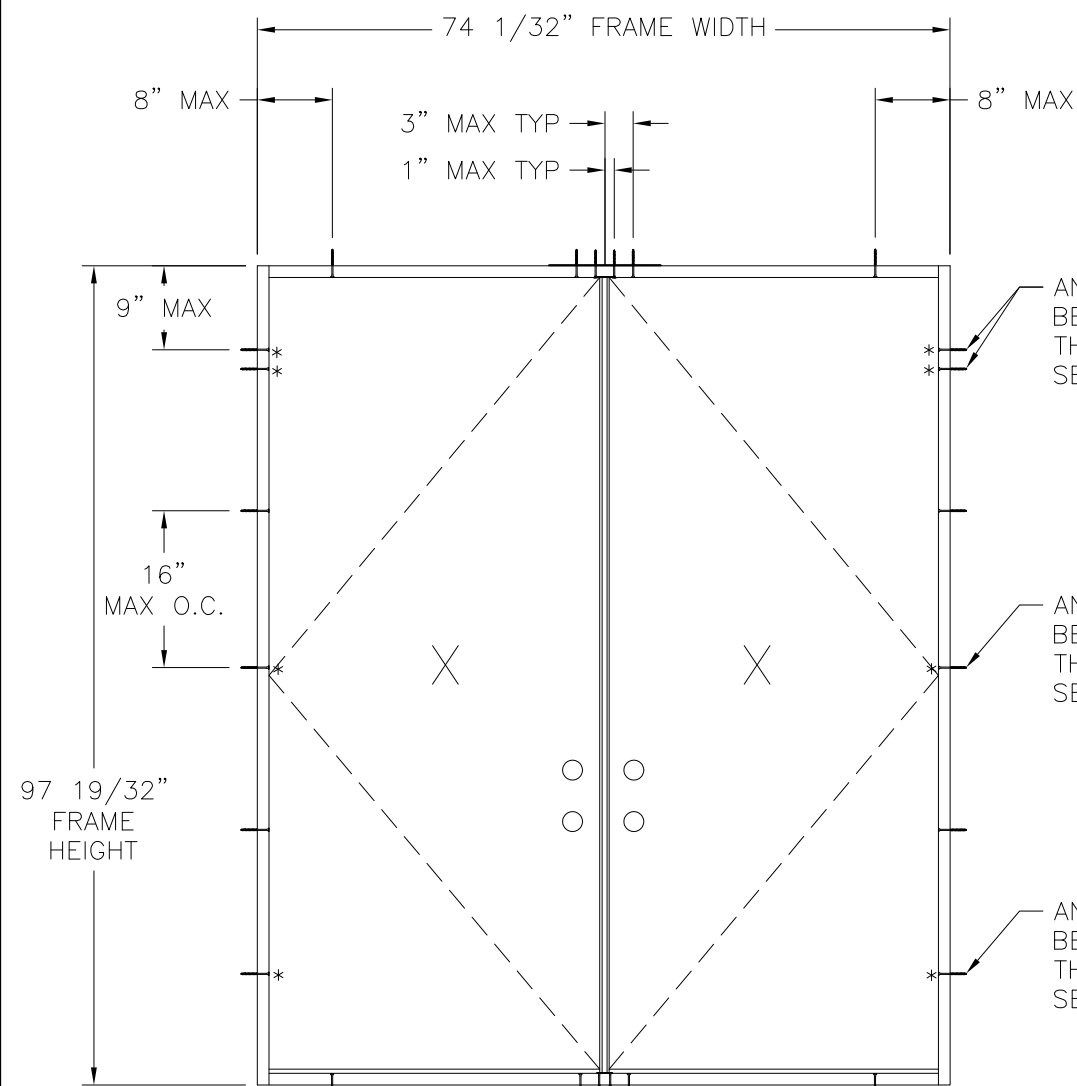
TABLE OF CONTENTS	
SHEET NO.	DESCRIPTION
1	NOTES
2	ELEVATIONS
3 – 6	INSTALLATION DETAILS
7 – 9	COMPONENTS AND DETAILS

PROVIA, LLC. 2150 STATE ROUTE 39 WEST SUGARCREEK, OH 44681		
STEEL/FIBERGLASS INSWING OPAQUE DOOR SINGLE & DOUBLE NON-IMPACT NOTES		
DRAWN: J.L.	DWG NO. 08-02080	REV G
SCALE NTS	DATE 06/19/13	SHEET 1 OF 9
L. ROBERTO LOMAS P.E. 1432 WOODFORD RD LEWISVILLE, NC 27023 434-688-0609 rllomas@rlomaspe.com		

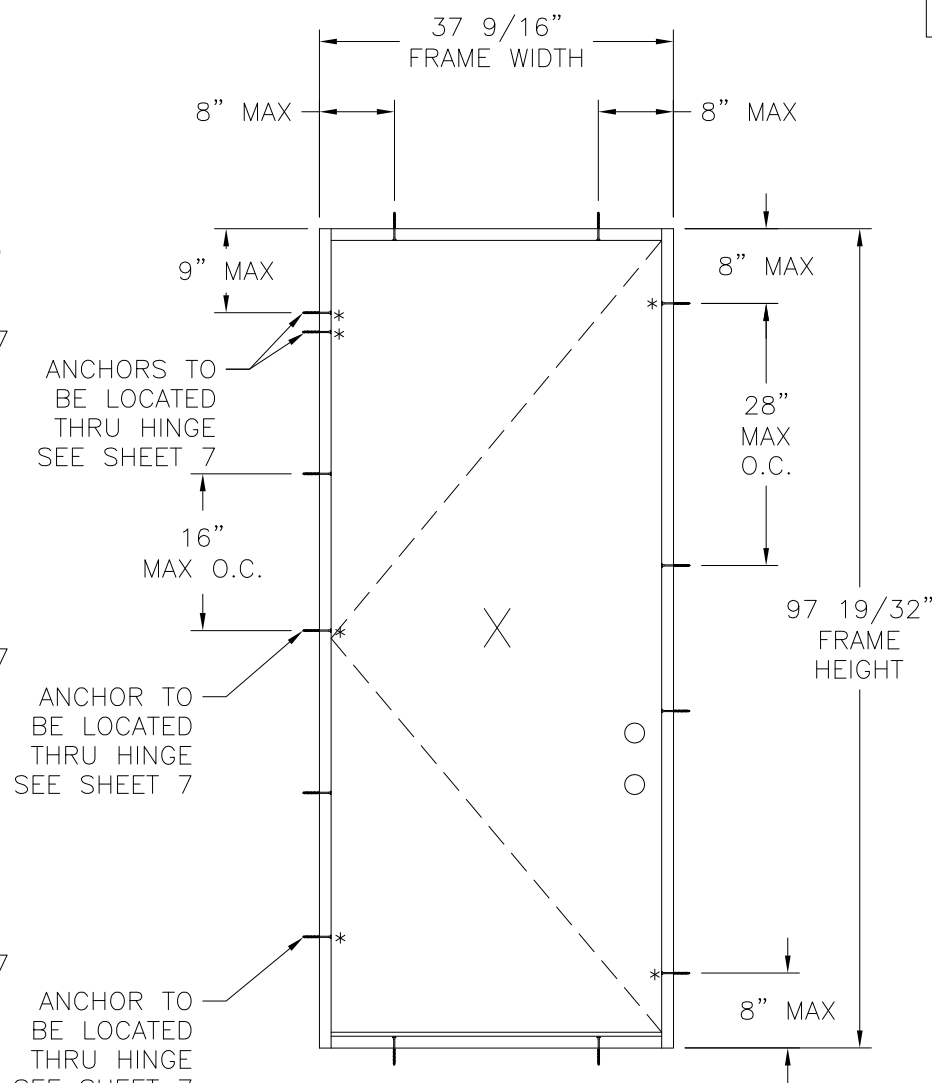


Luis R. Lomas P.E.  
FL No.: 62514

REVISIONS			
REV	DESCRIPTION	DATE	APPROVED
G	REVISED SLABS OPTIONS	01/29/2021	R.L.



**DOUBLE DOOR**



**SINGLE DOOR**

DESIGN PRESSURE RATING	IMPACT RATING
<b>±55.0PSF</b>	<b>NONE</b>
<small>THIS SYSTEM WAS NOT TESTED FOR WATER INFILTRATION AND IS TO BE INSTALLED ONLY WHERE WATER RESISTANCE IS NOT REQUIRED</small>	

35 3/4" x 94 15/16" PANEL SIZE SHOWN. OTHER SIZES ARE APPROVED AS LONG AS INDIVIDUAL PANEL AREA DOES NOT EXCEED 23.56 FT<sup>2</sup>

**HARDWARE SCHEDULE**

- A. F-SERIES ASSEMBLY DOOR KNOB BY SCHLAGE.
- B. B-SERIES DEADBOLT ASSEMBLY BY SCHLAGE
- C. F-SERIES DEADBOLT ASSEMBLY BY SCHLAGE
- D. EMTEK RESIDENTIAL GRADE DOOR HANDLE ASSEMBLY (ALTERNATE)
- E. TRILLENIUM MULTI-POINT LOCK HANDLE ASSEMBLY (ALTERNATE)
- F. INSWING HURRICANE ASTRAGAL BY ENDURA
- G. (3) 4" X 4" BALL BEARING HINGES BY PENROD
- H. (3) 4" X 4" SPRING BOMMER HINGES BY PENROD (ALTERNATE)

**NOTES;**

1. HINGES ARE LOCATED AT 10", 50" AND 89" FROM TOP CORNER.
2. APPROVED CONFIGURATIONS MAY BE RIGHT OR LEFT HAND.
3. PANEL SIZE 35 3/4" X 94 15/16".
4. JAMBS ARE ASSEMBLED TO HEAD FRAME WITH (3) #8X3" WOOD SCREWS AT EACH JAMB.
5. JAMBS ARE ASSEMBLED TO THRESHOLD WITH (3) #6X1-1/2" WOOD SCREWS AT EACH JAMB.

**PROVIA, LLC.**

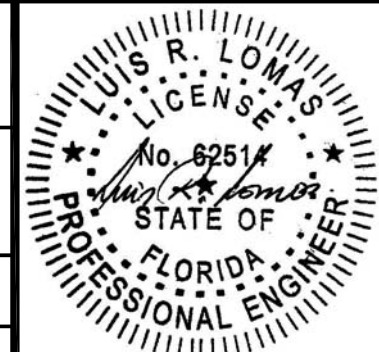
2150 STATE ROUTE 39 WEST  
SUGARCREEK, OH 44681

STEEL/FIBERGLASS INSWING OPAQUE DOOR  
SINGLE & DOUBLE NON-IMPACT  
ELEVATIONS

DRAWN: J.L.	DWG NO. 08-02080	REV G
SCALE NTS	DATE 06/19/13	SHEET 2 OF 9

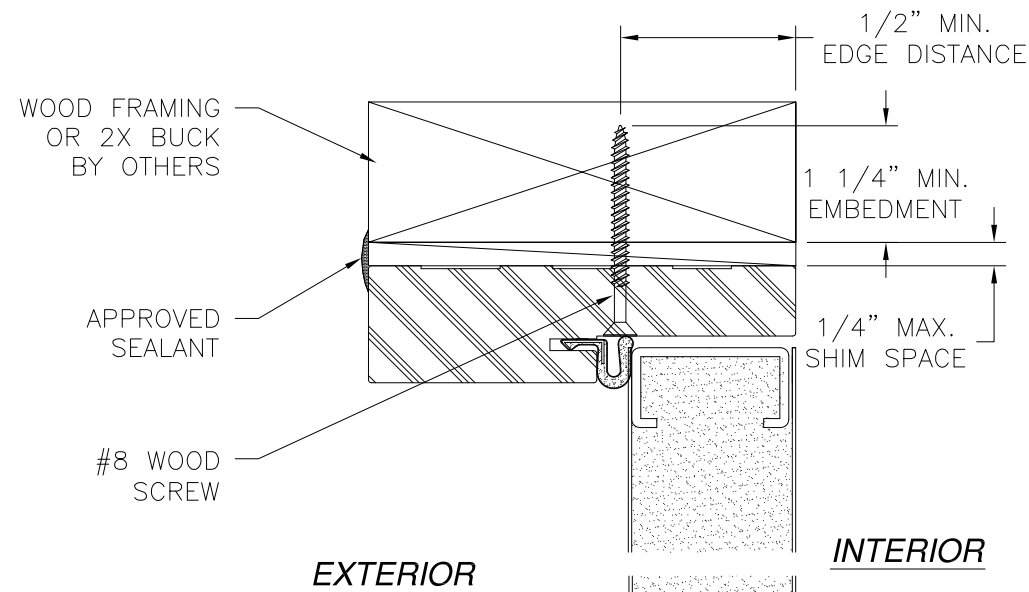
L. ROBERTO LOMAS P.E.  
1432 WOODFORD RD LEWISVILLE, NC 27023  
434-688-0609 rllomas@rlomaspe.com

SIGNED: 01/29/2021



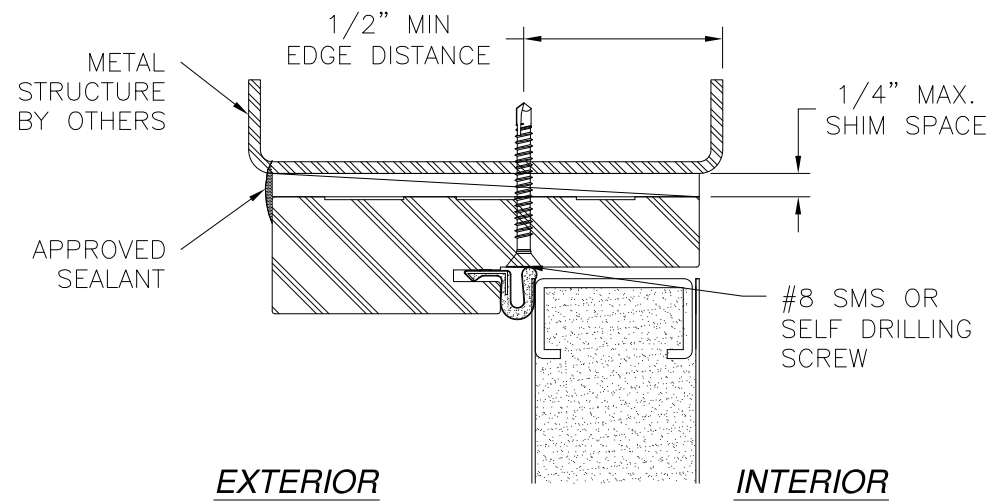
Luis R. Lomas P.E.  
FL No.: 62514

REVISIONS			
REV	DESCRIPTION	DATE	APPROVED
G	REVISED SLABS OPTIONS	01/29/2021	R.L.



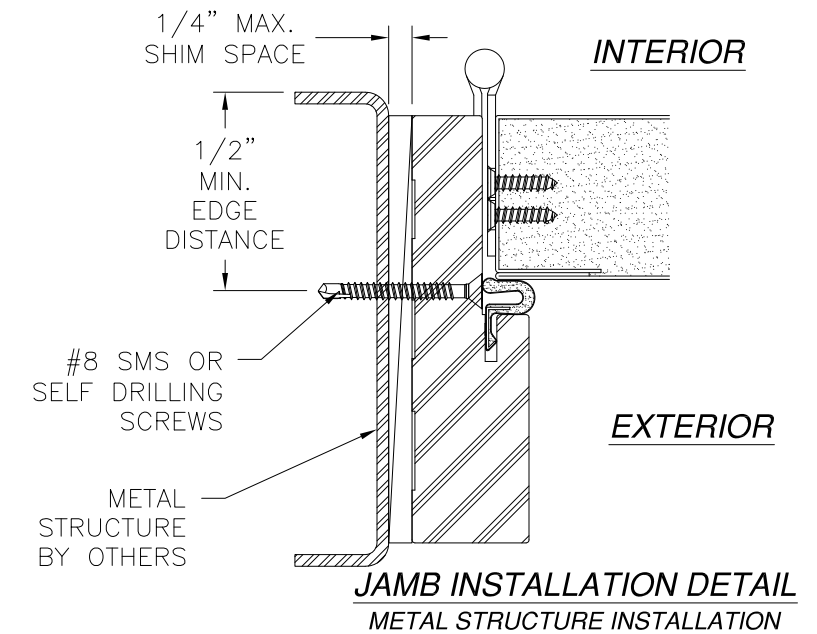
**EXTERIOR**

**INTERIOR**

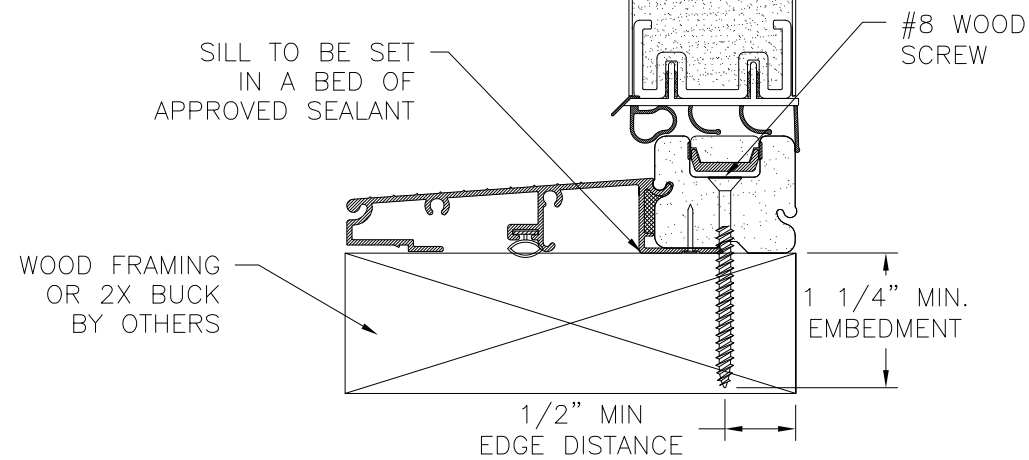


**EXTERIOR**

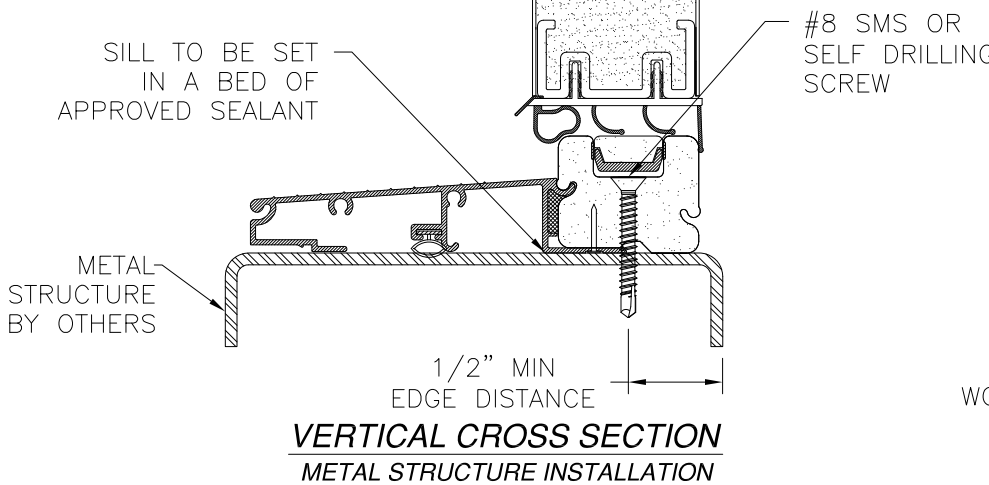
**INTERIOR**



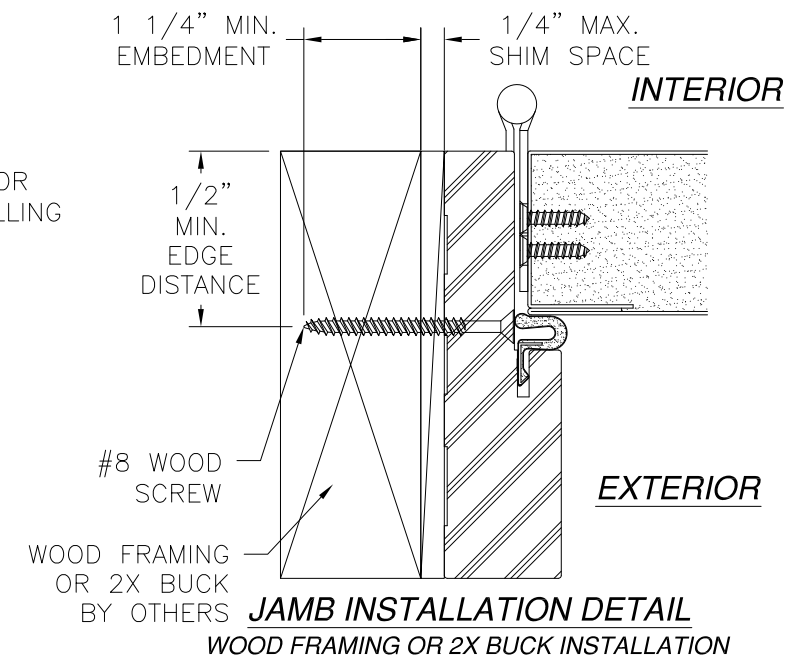
**JAMB INSTALLATION DETAIL  
METAL STRUCTURE INSTALLATION**



**VERTICAL CROSS SECTION  
WOOD FRAMING OR 2X BUCK INSTALLATION**



**VERTICAL CROSS SECTION  
METAL STRUCTURE INSTALLATION**



**JAMB INSTALLATION DETAIL  
WOOD FRAMING OR 2X BUCK INSTALLATION**

SIGNED: 01/29/2021

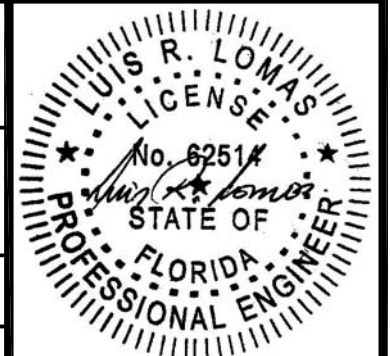
- NOTES:**
1. INTERIOR AND EXTERIOR FINISHES, BY OTHERS, NOT SHOWN FOR CLARITY.
  2. PERIMETER AND JOINT SEALANT BY OTHERS TO BE DESIGNED IN ACCORDANCE WITH ASTM E2112

**PROVIA, LLC.**  
2150 STATE ROUTE 39 WEST  
SUGARCREEK, OH 44681

STEEL/FIBERGLASS INSWING OPAQUE DOOR  
SINGLE & DOUBLE NON-IMPACT  
INSTALLATION DETAILS

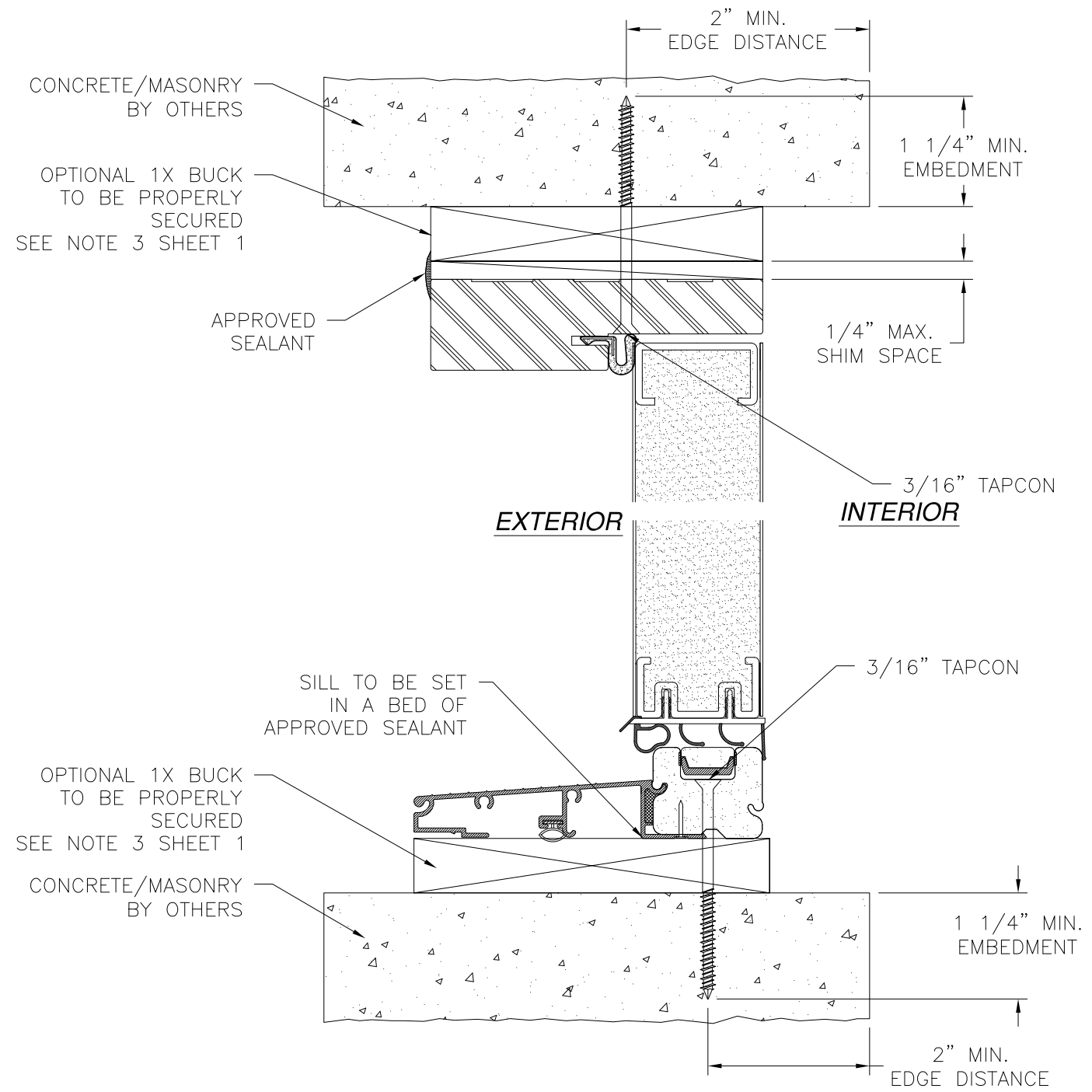
DRAWN: J.L.	DWG NO. 08-02080	REV G
SCALE NTS	DATE 06/19/13	SHEET 3 OF 9

L. ROBERTO LOMAS P.E.  
1432 WOODFORD RD LEWISVILLE, NC 27023  
434-688-0609 rllomas@rlomaspe.com

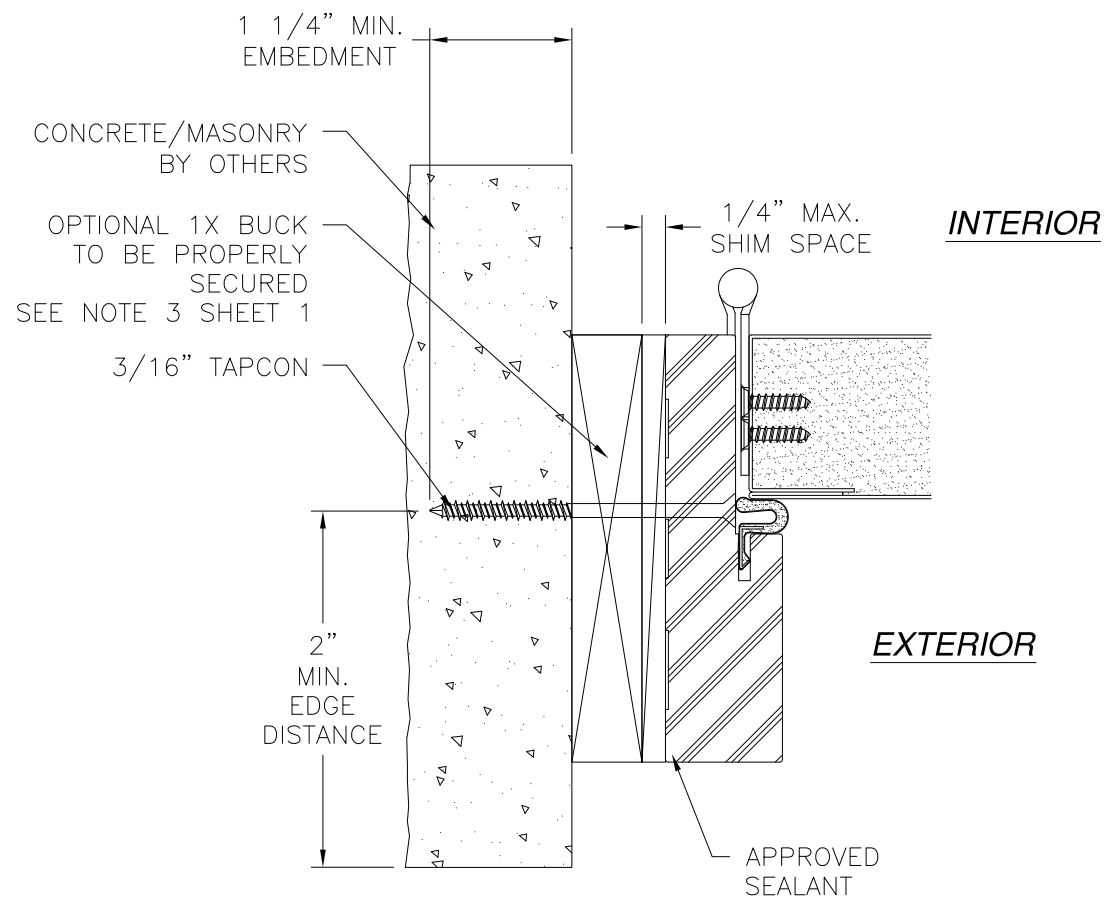


Luis R. Lomas P.E.  
FL No.: 62514

REVISIONS			
REV	DESCRIPTION	DATE	APPROVED
G	REVISED SLABS OPTIONS	01/29/2021	R.L.



**VERTICAL CROSS SECTION**  
CONCRETE/MASONRY INSTALLATION



**JAMB INSTALLATION DETAIL**  
CONCRETE/MASONRY INSTALLATION

- NOTES:**
1. INTERIOR AND EXTERIOR FINISHES, BY OTHERS, NOT SHOWN FOR CLARITY.
  2. PERIMETER AND JOINT SEALANT BY OTHERS TO BE DESIGNED IN ACCORDANCE WITH ASTM E2112

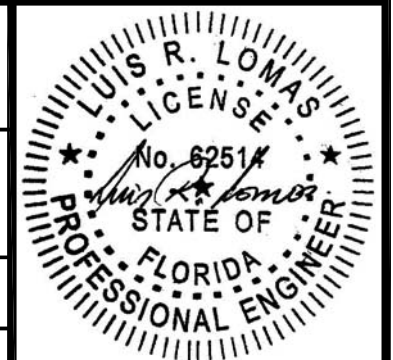
SIGNED: 01/29/2021

PROVIA, LLC.  
2150 STATE ROUTE 39 WEST  
SUGARCREEK, OH 44681

STEEL/FIBERGLASS INSWING OPAQUE DOOR  
SINGLE & DOUBLE NON-IMPACT  
INSTALLATION DETAILS

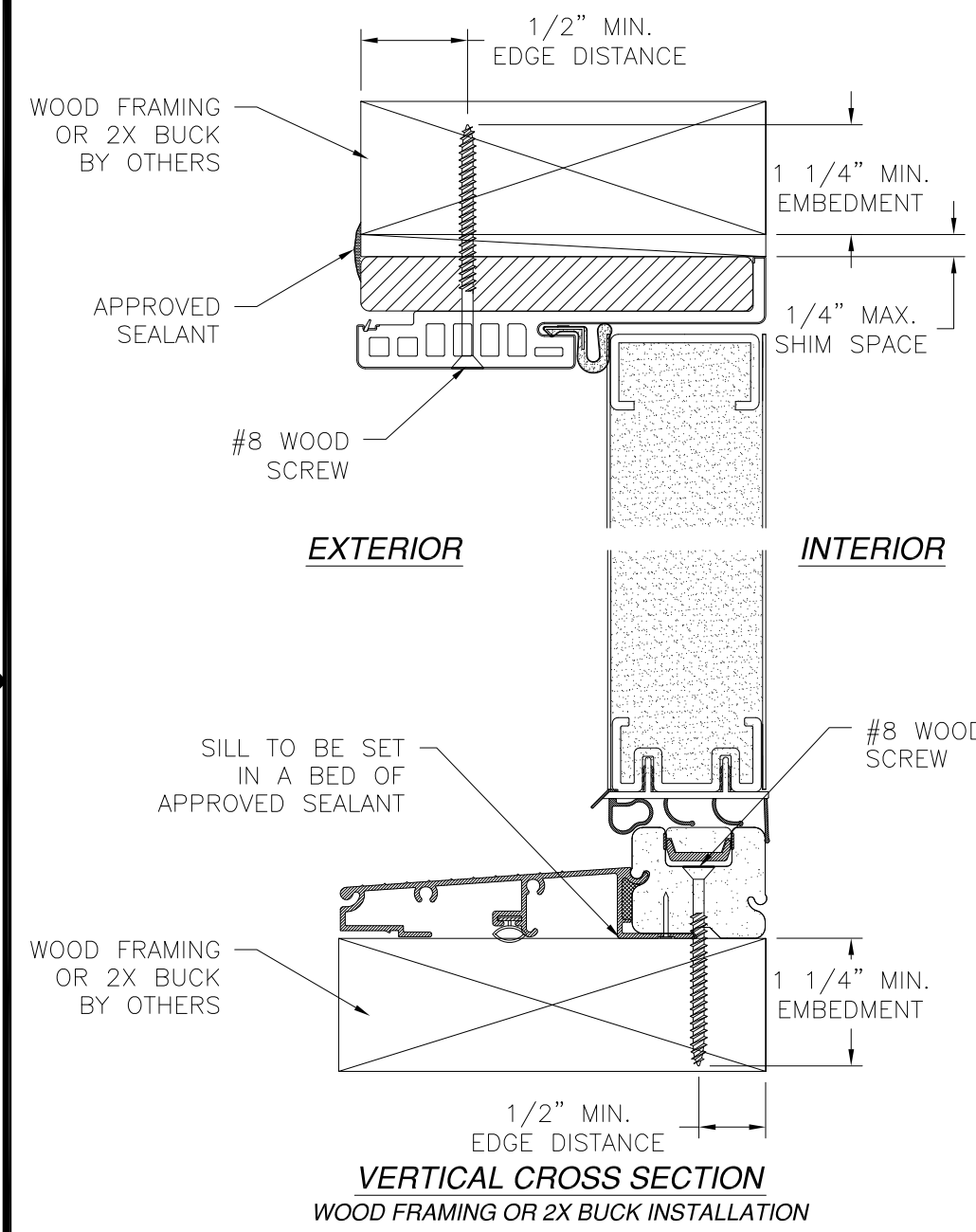
DRAWN: J.L.	DWG NO. 08-02080	REV G
SCALE NTS	DATE 06/19/13	SHEET 4 OF 9

L. ROBERTO LOMAS P.E.  
1432 WOODFORD RD LEWISVILLE, NC 27023  
434-688-0609 rllomas@rlomaspe.com

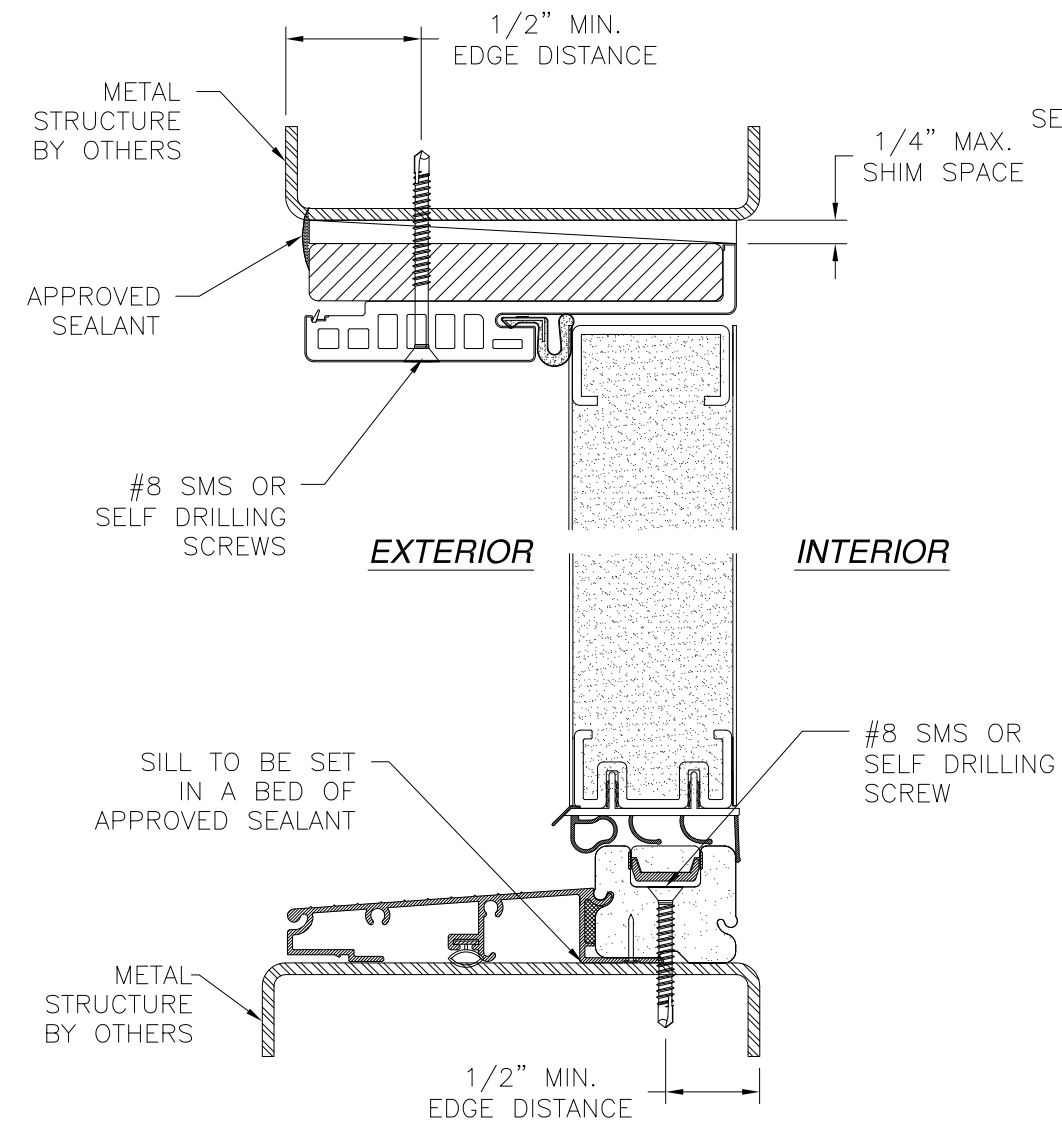


Luis R. Lomas P.E.  
FL No.: 62514

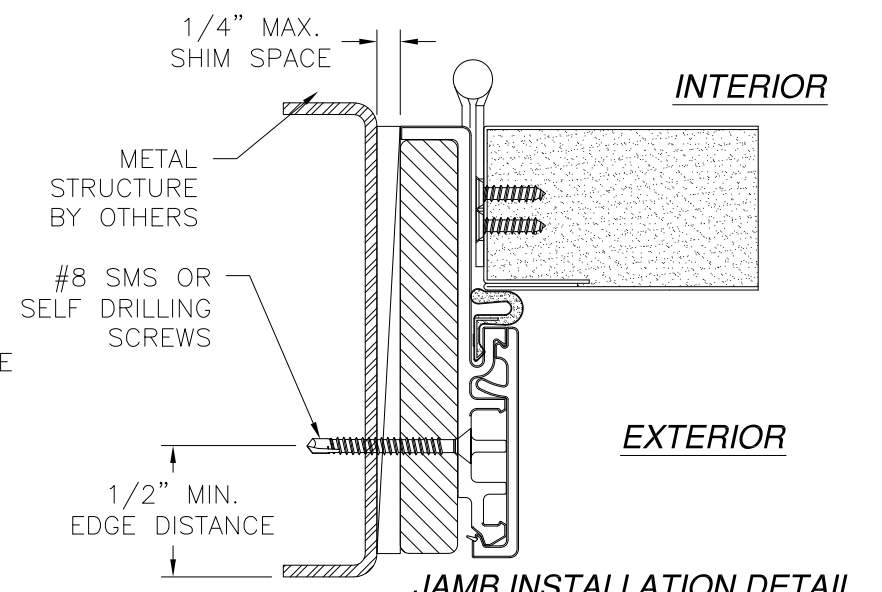
REVISIONS			
REV	DESCRIPTION	DATE	APPROVED
G	REVISED SLABS OPTIONS	01/29/2021	R.L.



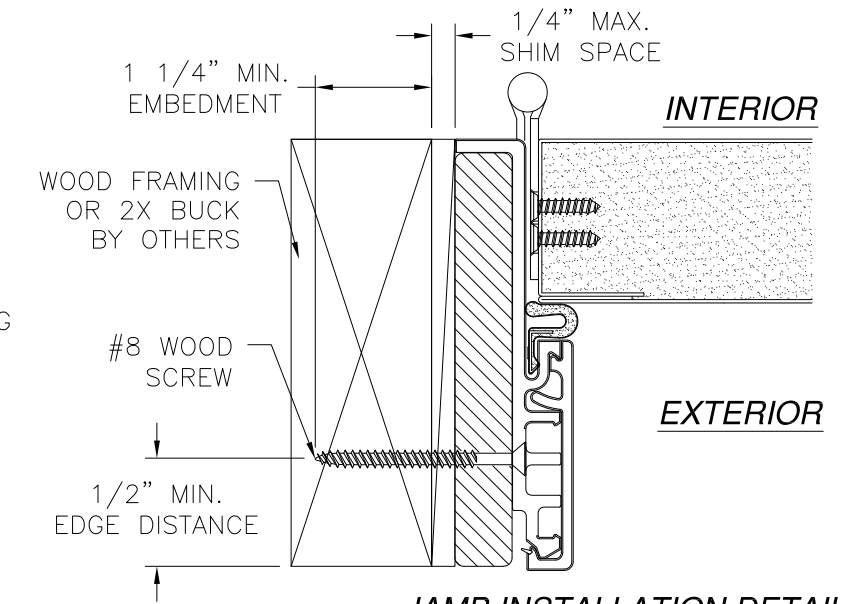
**VERTICAL CROSS SECTION**  
WOOD FRAMING OR 2X BUCK INSTALLATION



**VERTICAL CROSS SECTION**  
METAL STRUCTURE INSTALLATION



**JAMB INSTALLATION DETAIL**  
METAL STRUCTURE INSTALLATION



**JAMB INSTALLATION DETAIL**  
WOOD FRAMING OR 2X BUCK INSTALLATION

SIGNED: 01/29/2021

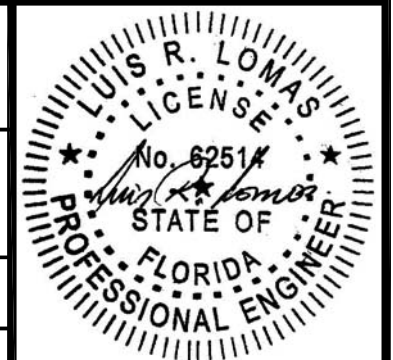
- NOTES:**
1. INTERIOR AND EXTERIOR FINISHES, BY OTHERS, NOT SHOWN FOR CLARITY.
  2. PERIMETER AND JOINT SEALANT BY OTHERS TO BE DESIGNED IN ACCORDANCE WITH ASTM E2112

**PROVIA, LLC.**  
2150 STATE ROUTE 39 WEST  
SUGARCREEK, OH 44681

STEEL/FIBERGLASS INSWING OPAQUE DOOR  
SINGLE & DOUBLE NON-IMPACT  
INSTALLATION DETAILS W/FUSION FRAME

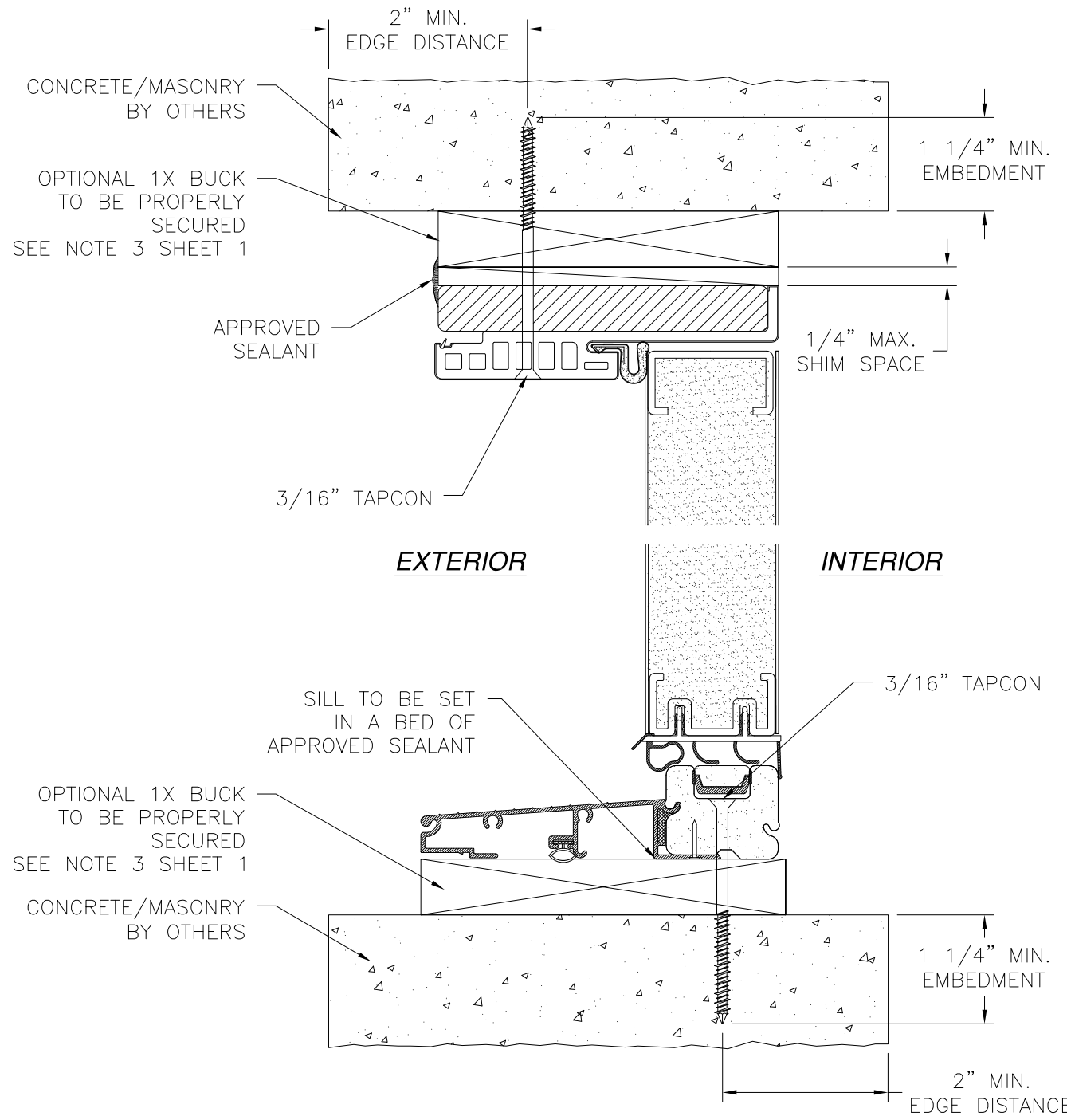
DRAWN: J.L.	DWG NO. 08-02080	REV G
SCALE NTS	DATE 06/19/13	SHEET 5 OF 9

L. ROBERTO LOMAS P.E.  
1432 WOODFORD RD LEWISVILLE, NC 27023  
434-688-0609 rllomas@rlomaspe.com

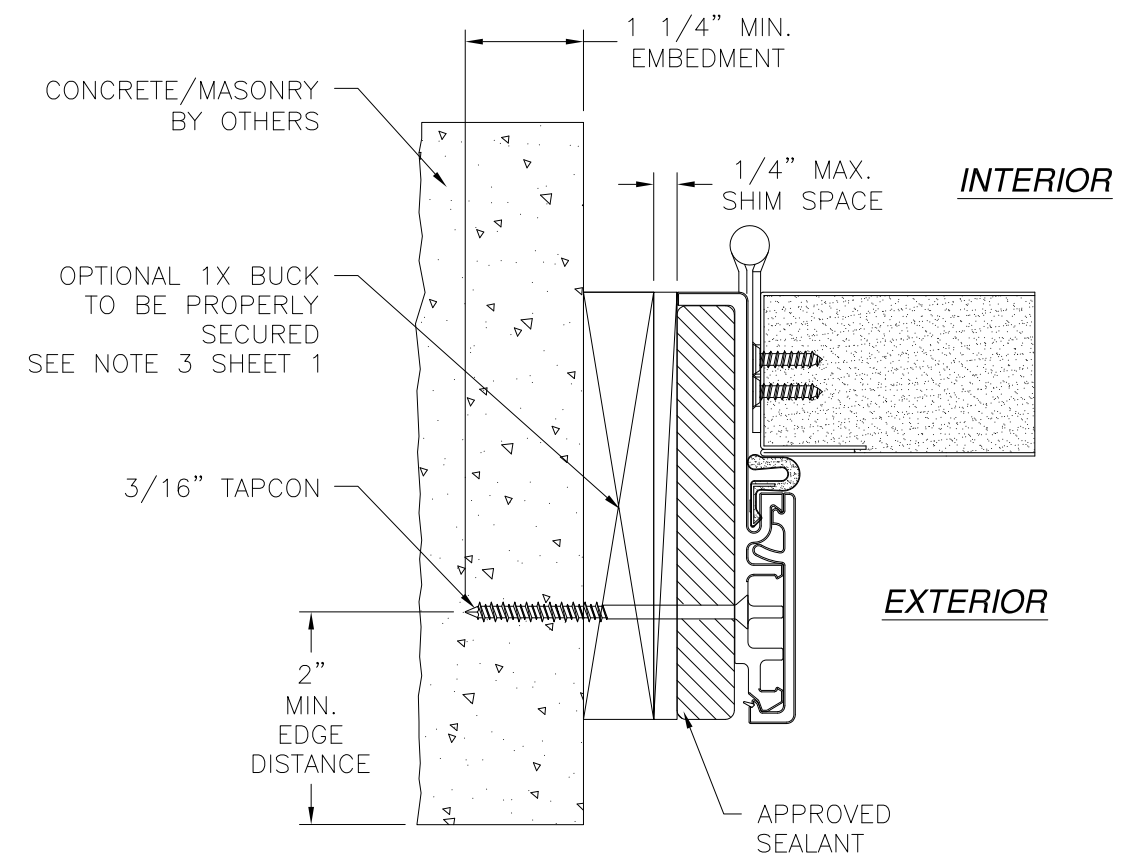


Luis R. Lomas P.E.  
FL No.: 62514

REVISIONS			
REV	DESCRIPTION	DATE	APPROVED
G	REVISED SLABS OPTIONS	01/29/2021	R.L.



**VERTICAL CROSS SECTION**  
CONCRETE/MASONRY INSTALLATION



**JAMB INSTALLATION DETAIL**  
CONCRETE/MASONRY INSTALLATION

- NOTES:**
1. INTERIOR AND EXTERIOR FINISHES, BY OTHERS, NOT SHOWN FOR CLARITY.
  2. PERIMETER AND JOINT SEALANT BY OTHERS TO BE DESIGNED IN ACCORDANCE WITH ASTM E2112

SIGNED: 01/29/2021

**PROVIA, LLC.**  
2150 STATE ROUTE 39 WEST  
SUGARCREEK, OH 44681

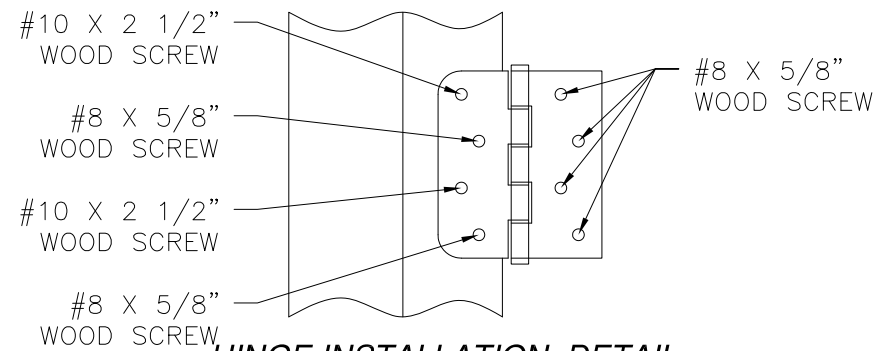
STEEL/FIBERGLASS INSWING OPAQUE DOOR  
SINGLE & DOUBLE NON-IMPACT  
INSTALLATION DETAILS W/FUSION FRAME

DRAWN: J.L.	DWG NO. 08-02080	REV G
SCALE NTS	DATE 06/19/13	SHEET 6 OF 9

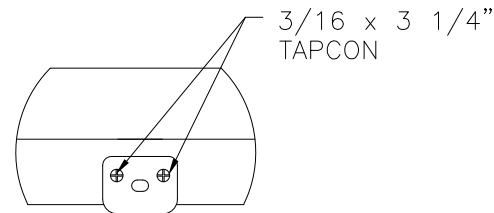
L. ROBERTO LOMAS P.E.  
1432 WOODFORD RD LEWISVILLE, NC 27023  
434-688-0609 rllomas@rlomaspe.com

Luis R. Lomas P.E.  
FL No.: 62514

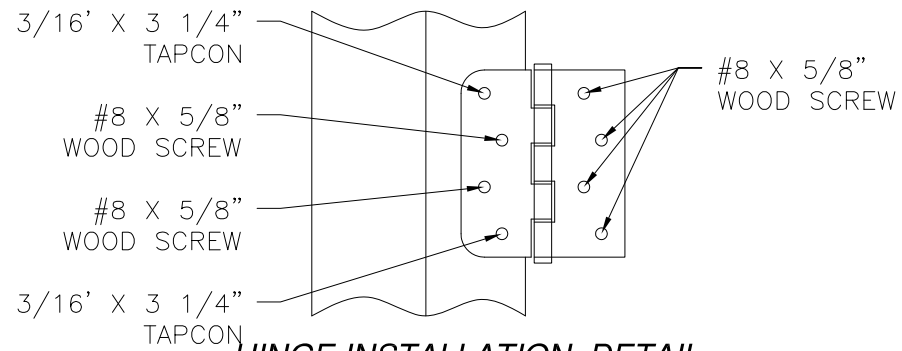
REVISIONS			
REV	DESCRIPTION	DATE	APPROVED
G	REVISED SLABS OPTIONS	01/29/2021	R.L.



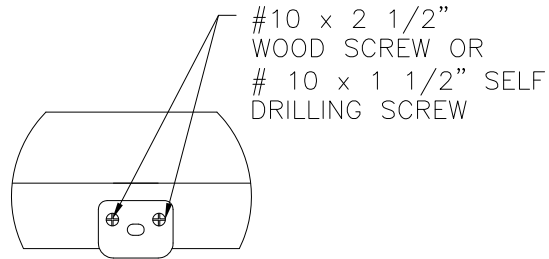
**HINGE INSTALLATION DETAIL**  
2X BUCK/WOOD FRAMING



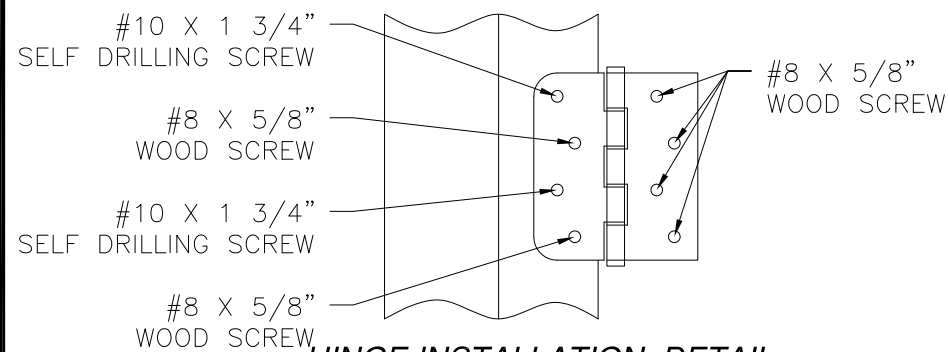
**ASTRAGAL HEAD STRIKE DETAIL**  
MASONRY/CONCRETE



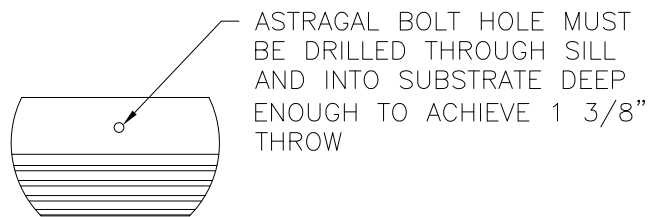
**HINGE INSTALLATION DETAIL**  
MASONRY/CONCRETE



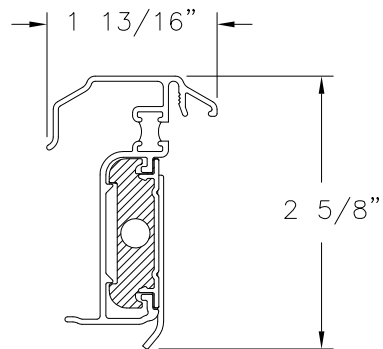
**ASTRAGAL HEAD STRIKE DETAIL**  
2X BUCK/WOOD FRAMING  
OR METAL STRUCTURE



**HINGE INSTALLATION DETAIL**  
METAL STRUCTURE



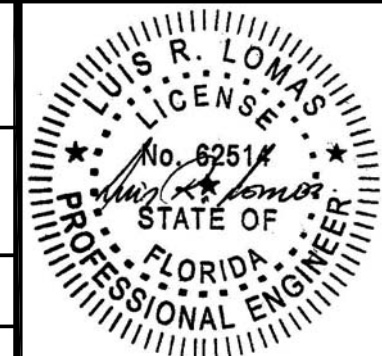
**ASTRAGAL SILL DETAIL**



**HURRICANE ASTRAGAL DETAIL**

SIGNED: 01/29/2021

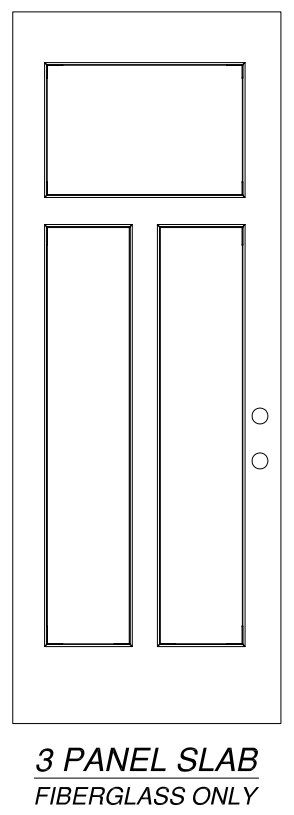
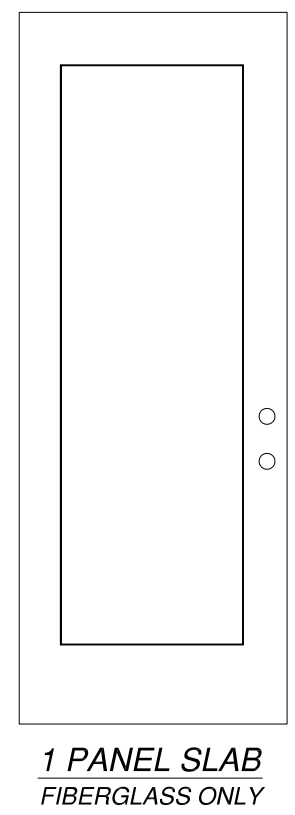
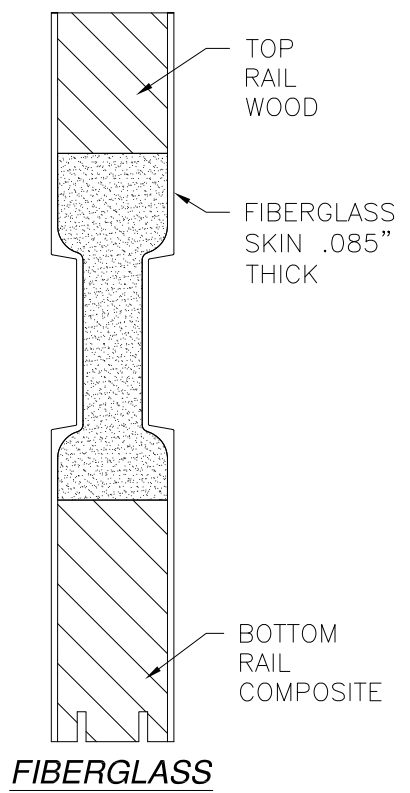
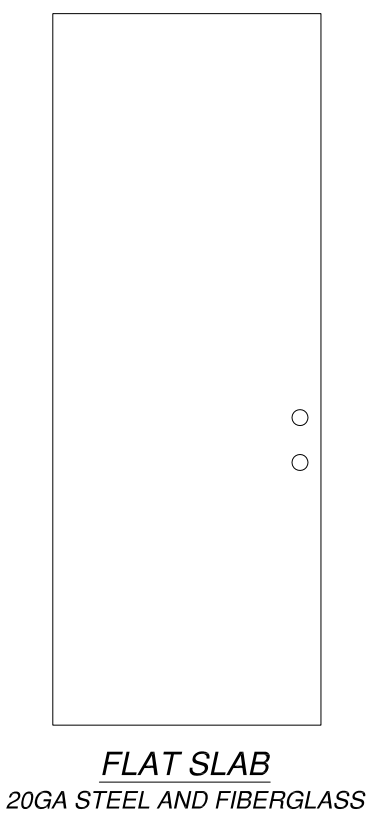
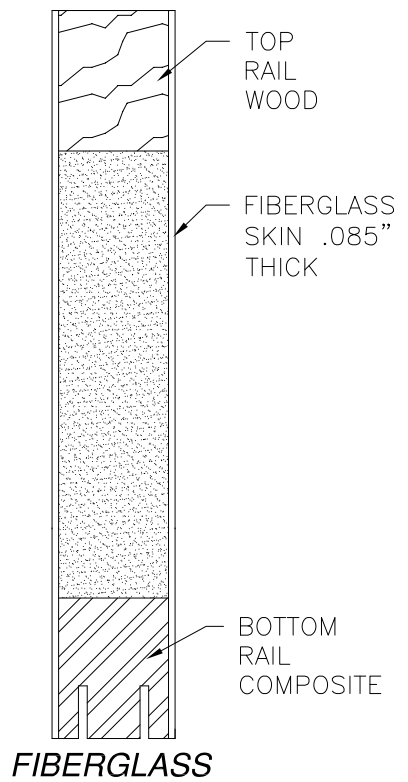
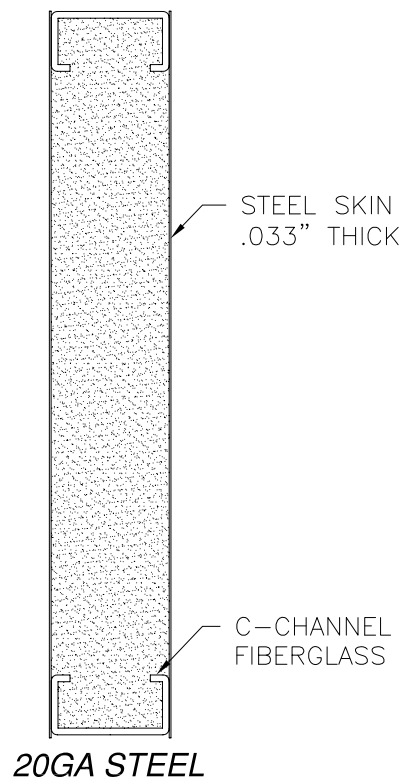
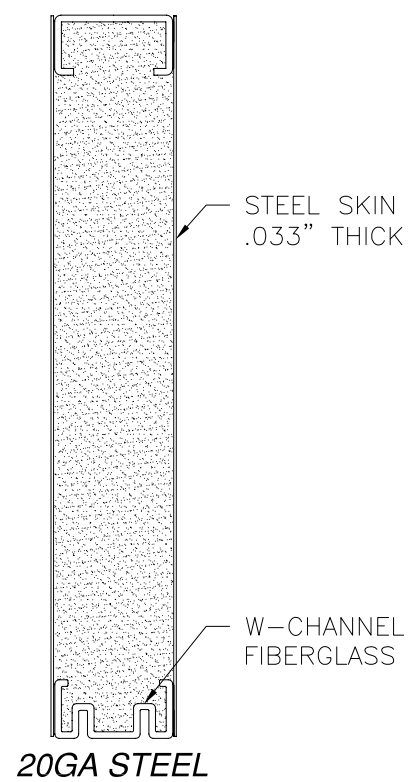
<b>PROVIA, LLC.</b> 2150 STATE ROUTE 39 WEST SUGARCREEK, OH 44681		
STEEL/FIBERGLASS INSWING OPAQUE DOOR SINGLE & DOUBLE NON-IMPACT INSTALLATION DETAILS AND COMPONENTS		
DRAWN: J.L.	DWG NO. 08-02080	REV G
SCALE NTS	DATE 06/19/13	SHEET 7 OF 9
L. ROBERTO LOMAS P.E. 1432 WOODFORD RD LEWISVILLE, NC 27023 434-688-0609 rllomas@rlomaspe.com		



Luis R. Lomas P.E.  
FL No.: 62514

# APPROVED SLABS AND CROSS SECTIONS

REVISIONS			
REV	DESCRIPTION	DATE	APPROVED
G	REVISED SLABS OPTIONS	01/29/2021	R.L.



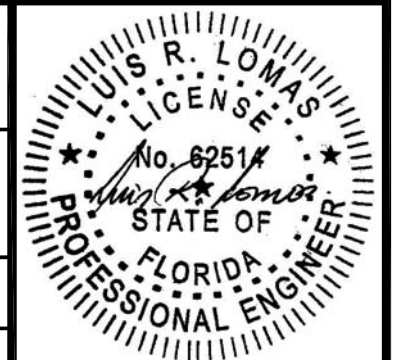
PROVIA, LLC.  
2150 STATE ROUTE 39 WEST  
SUGARCREEK, OH 44681

STEEL/FIBERGLASS INSWING OPAQUE DOOR  
SINGLE & DOUBLE NON-IMPACT  
COMPONENTS

DRAWN: J.L.	DWG NO. 08-02080	REV G
SCALE NTS	DATE 06/19/13	SHEET 8 OF 9

L. ROBERTO LOMAS P.E.  
1432 WOODFORD RD LEWISVILLE, NC 27023  
434-688-0609 rllomas@rlomaspe.com

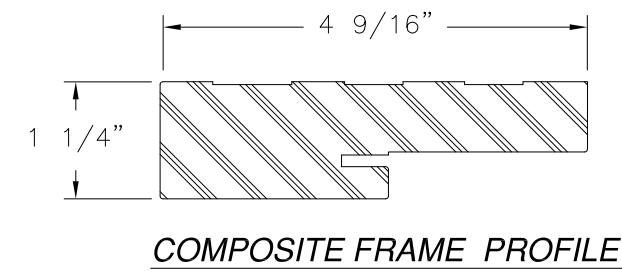
SIGNED: 01/29/2021



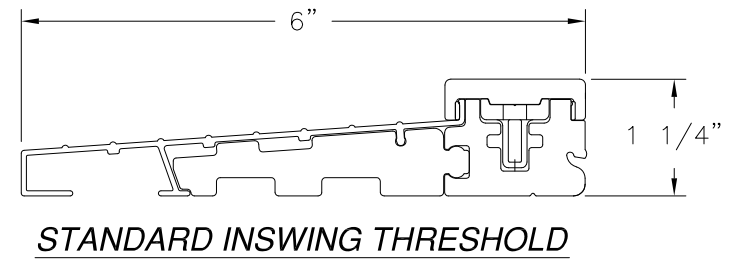
Luis R. Lomas P.E.  
FL No.: 62514



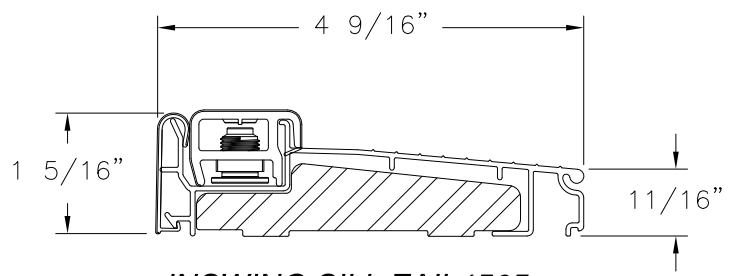
REVISIONS			
REV	DESCRIPTION	DATE	APPROVED
G	REVISED SLABS OPTIONS	01/29/2021	R.L.



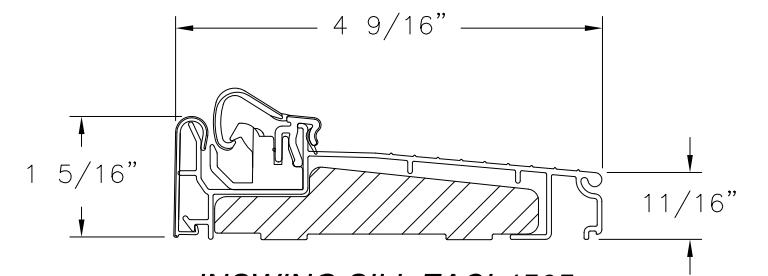
**COMPOSITE FRAME PROFILE**



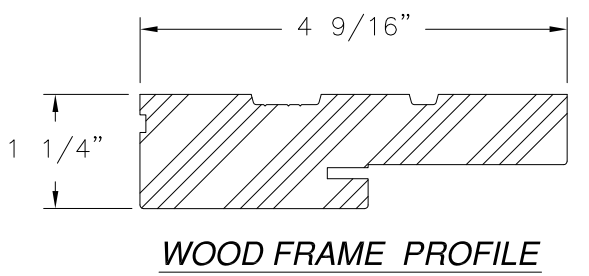
**STANDARD INSWING THRESHOLD**



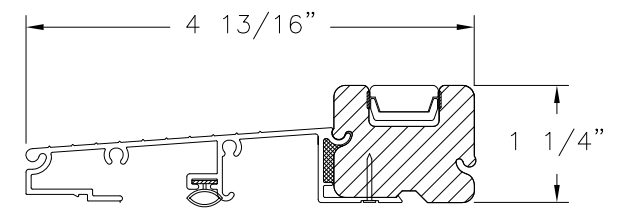
**INSWING SILL ZAIL4565**



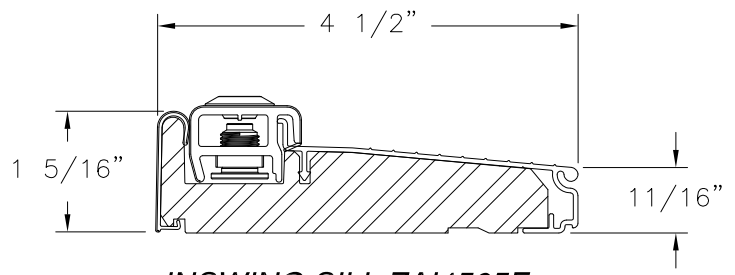
**INSWING SILL ZA4L4565**



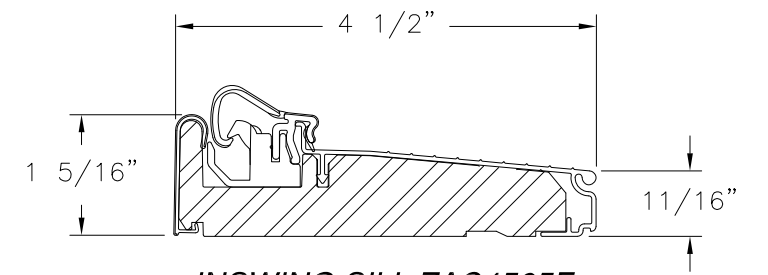
**WOOD FRAME PROFILE**



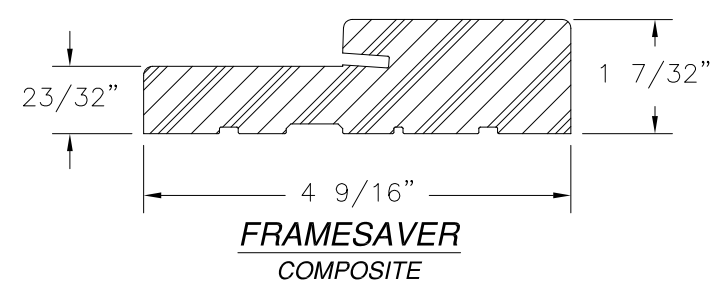
**SAHARA INSWING THRESHOLD**



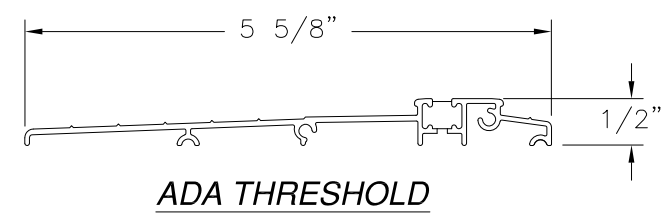
**INSWING SILL ZAI4565F**



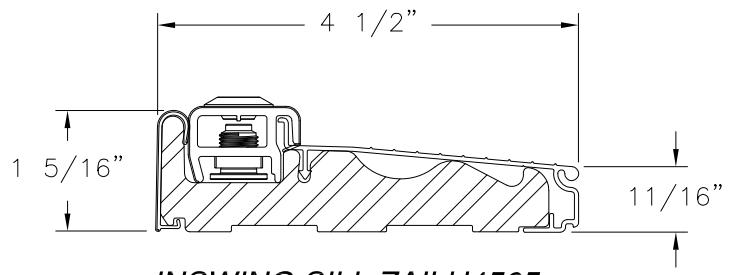
**INSWING SILL ZAC4565F**



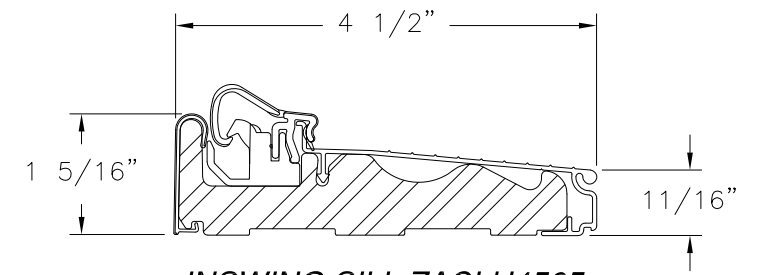
**FRAMESAVER COMPOSITE**



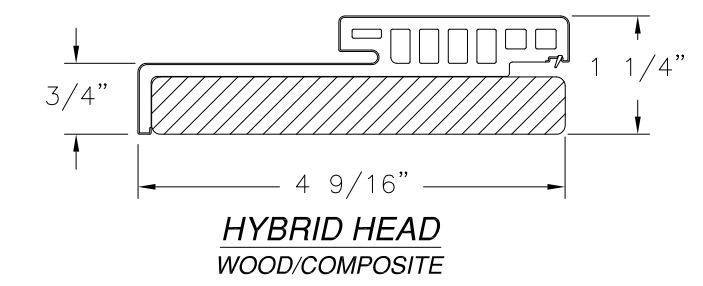
**ADA THRESHOLD**



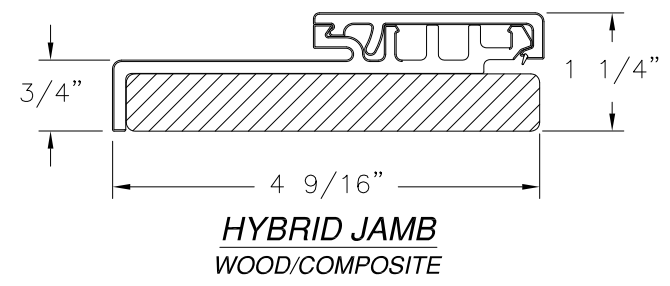
**INSWING SILL ZAILH4565**



**INSWING SILL ZA4LH4565**



**HYBRID HEAD WOOD/COMPOSITE**



**HYBRID JAMB WOOD/COMPOSITE**

SIGNED: 01/29/2021

PROVIA, LLC.  
 2150 STATE ROUTE 39 WEST  
 SUGARCREEK, OH 44681

STEEL/FIBERGLASS INSWING OPAQUE DOOR  
 SINGLE & DOUBLE NON-IMPACT  
 COMPONENTS

DRAWN: J.L.	DWG NO. 08-02080	REV G
SCALE NTS	DATE 06/19/13	SHEET 9 OF 9

L. ROBERTO LOMAS P.E.  
 1432 WOODFORD RD LEWISVILLE, NC 27023  
 434-688-0609 rllomas@rlomaspe.com

Luis R. Lomas P.E.  
 FL No.: 62514