

REVISIONS			
REV	DESCRIPTION	DATE	APPROVED
I	ADDED GLAZED FIR TRIMS	08/30/2021	R.L.

NOTES:


1. THE PRODUCT SHOWN HEREIN IS DESIGNED AND MANUFACTURED TO COMPLY WITH REQUIREMENTS OF THE FLORIDA BUILDING CODE.
2. WOOD FRAMING, METAL STRUCTURE AND MASONRY OPENING TO BE DESIGNED AND ANCHORED TO PROPERLY TRANSFER ALL LOADS TO STRUCTURE. FRAMING AND MASONRY OPENING IS THE RESPONSIBILITY OF THE ARCHITECT OR ENGINEER OF RECORD.
3. 1X BUCK OVER MASONRY/CONCRETE IS OPTIONAL. WHERE 1X BUCK IS NOT USED DISSIMILAR MATERIALS MUST BE SEPARATED WITH APPROVED COATING OR MEMBRANE. SELECTION OF COATING OR MEMBRANE IS THE RESPONSIBILITY OF THE ARCHITECT OR ENGINEER OF RECORD.
4. ALLOWABLE STRESS INCREASE OF 1/3 WAS NOT USED IN THE DESIGN OF THE PRODUCT SHOWN HEREIN. WIND LOAD DURATION FACTOR Cd=1.6 WAS USED FOR WOOD ANCHOR CALCULATIONS.
5. FRAME MATERIAL: WOOD WITH G=.46 MINIMUM SPECIFIC GRAVITY, OR COMPOSITE, OR FRAMESAVER, OR FUSION FRAME.
DOOR SKIN MATERIAL: STEEL .033" THICK (MINIMUM) AND FIBERGLASS .085" THICK(MINIMUM).
SIDELITE SKIN MATERIAL: STEEL .022" THICK (MINIMUM)
6. SIDELITES MUST BE GLAZED PER ASTM E1300, WITH SAFETY GLAZING.
7. APPROVED IMPACT PROTECTIVE SYSTEM IS REQUIRED FOR THIS PRODUCT IN WIND BORNE DEBRIS REGIONS.
8. SHIM AS REQUIRED AT EACH INSTALLATION ANCHOR WITH LOAD BEARING SHIM. SHIM WHERE SPACE OF 1/16" OR GREATER OCCURS. MAXIMUM ALLOWABLE SHIM STACK TO BE 1/4".
9. FOR ANCHORING INTO WOOD FRAMING OR 2X BUCK USE #10 WOOD SCREWS WITH SUFFICIENT LENGTH TO ACHIEVE A 1 3/8" MINIMUM EMBEDMENT INTO SUBSTRATE. LOCATE ANCHORS AS SHOWN IN ELEVATIONS AND INSTALLATION DETAILS.
10. FOR ANCHORING INTO MASONRY/CONCRETE USE 3/16" TAPCONS WITH SUFFICIENT LENGTH TO ACHIEVE A 1 3/4" MINIMUM EMBEDMENT INTO SUBSTRATE WITH 2" MINIMUM EDGE DISTANCE. LOCATE ANCHORS AS SHOWN IN ELEVATIONS AND INSTALLATION DETAILS.
11. FOR ANCHORING INTO METAL STRUCTURE USE #10 SMS OR SELF DRILLING SCREWS WITH SUFFICIENT LENGTH TO ACHIEVE 3 THREADS MINIMUM BEYOND STRUCTURE INTERIOR WALL. LOCATE ANCHORS AS SHOWN IN ELEVATIONS AND INSTALLATION DETAILS.

12. ALL FASTENERS TO BE CORROSION RESISTANT.
13. INSTALLATION ANCHORS SHALL BE INSTALLED IN ACCORDANCE WITH ANCHOR MANUFACTURER'S INSTALLATION INSTRUCTIONS AND ANCHORS SHALL NOT BE USED IN SUBSTRATES WITH STRENGTHS LESS THAN THE MINIMUM STRENGTH SPECIFIED BELOW:
 - A. WOOD – MINIMUM SPECIFIC GRAVITY OF G=0.42
 - B. CONCRETE – MINIMUM COMPRESSIVE STRENGTH OF 3,192 PSI.
 - C. MASONRY – GROUT FILLEDSTRENGTH CONFORMANCE TO ASTM C-90, GRADE N, TYPE 1 (OR GREATER).
 - D. METAL STRUCTURE: STEEL 18GA, 33KSI OR ALUMINUM 6063-T5 .048" THICK MINIMUM
14. DOOR CONSTRUCTION MAYBE CONTINUOUS HEAD FRAME AND CONTINUOUS THRESHOLD OR BOX CONSTRUCTION.

SIGNED: 08/30/2021

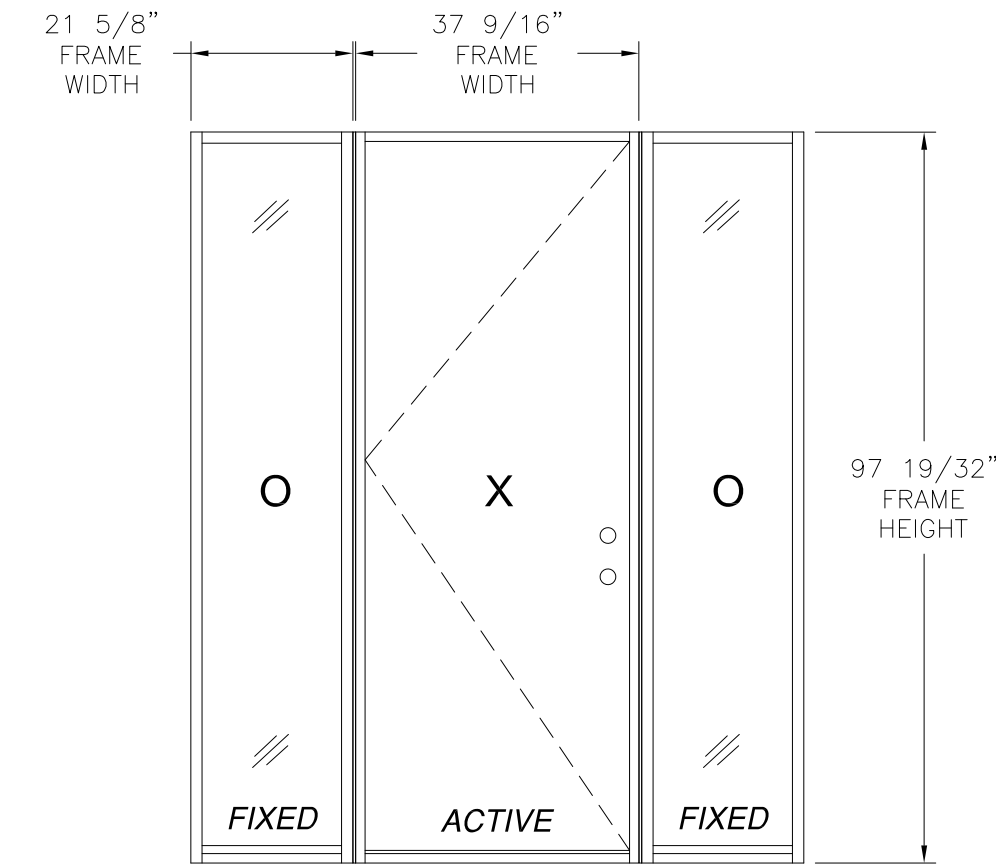
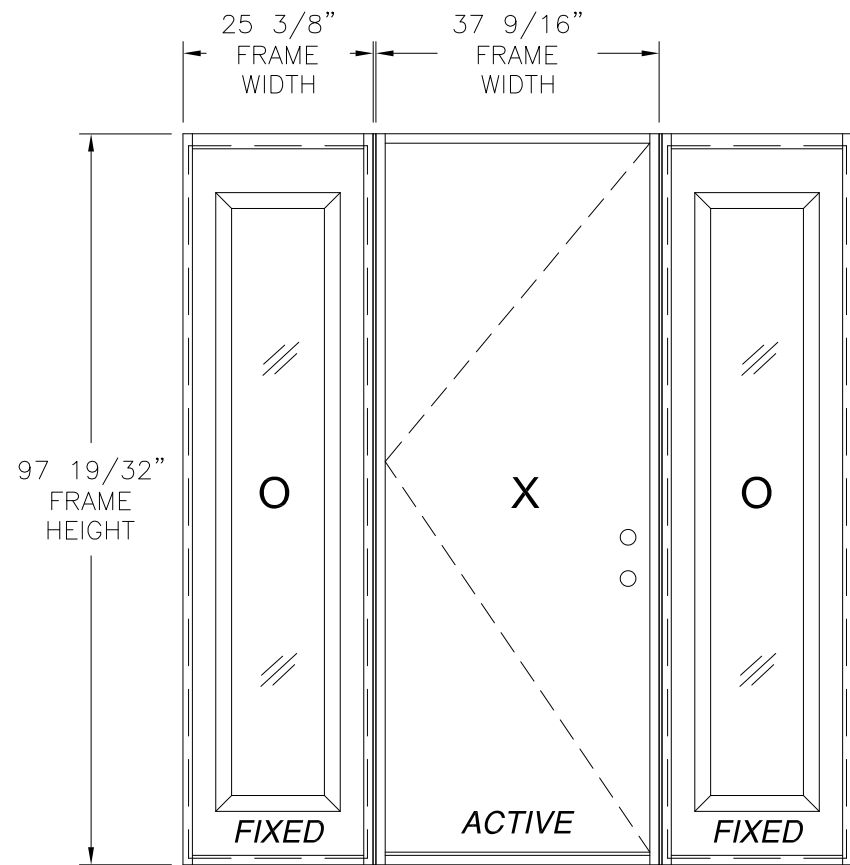
TABLE OF CONTENTS	
SHEET NO.	DESCRIPTION
1	NOTES
2	ELEVATIONS AND APPROVED CONFIGURATIONS
3	ANCHORING LAYOUTS
4 – 9	INSTALLATION DETAILS
10 – 13	APPROVED SLABS, MULLION DETAILS AND COMPONENTS

PROVIA, LLC. 2150 STATE ROUTE 39 WEST SUGARCREEK, OH 44681		
STEEL/FIBERGLASS INSWING OPAQUE SINGLE DOOR W/SIDELITES NON-IMPACT NOTES		
DRAWN: J.L.	DWG NO. 08-02082	REV I
SCALE NTS	DATE 06/20/13	SHEET 1 OF 13
L. ROBERTO LOMAS P.E. 1432 WOODFORD RD LEWISVILLE, NC 27023 434-688-0609 rllomas@rlomaspe.com		



Luis R. Lomas P.E.
FL No.: 62514

REVISIONS			
REV	DESCRIPTION	DATE	APPROVED
I	ADDED GLAZED FIR TRIMS	08/30/2021	R.L.



3/8" MULLION
MINIMUM
SEE NOTES 1 AND 2
THIS SHEET
& MULLION DETAIL
SHEET 12

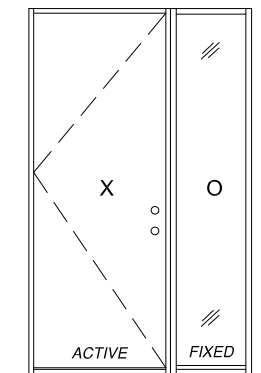
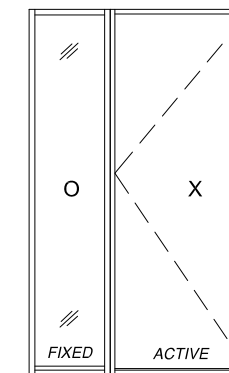
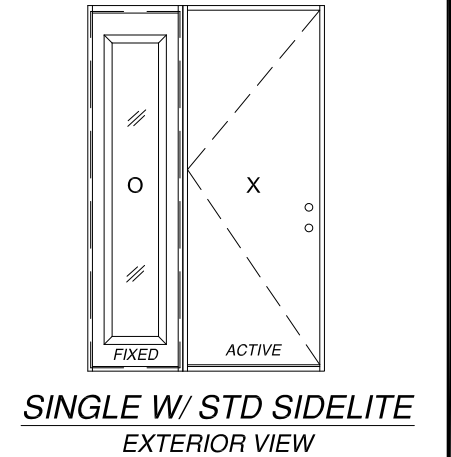
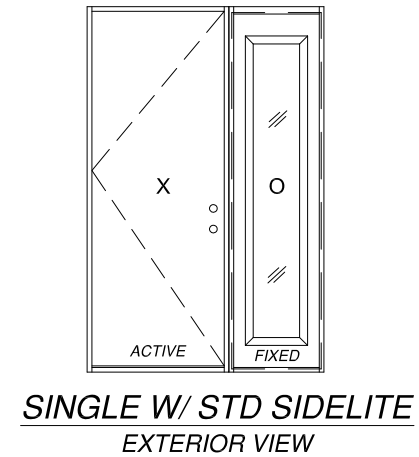
SINGLE W/ STD SIDELITES
EXTERIOR VIEW

3/8" MULLION
MINIMUM
SEE NOTES 1 AND 2
THIS SHEET
& MULLION DETAIL
SHEET 12

SINGLE W/ DIRECT SET SIDELITES
EXTERIOR VIEW

DESIGN PRESSURE RATING	IMPACT RATING
±55.0PSF	NONE
THIS SYSTEM WAS NOT TESTED FOR WATER INFILTRATION AND IS TO BE INSTALLED ONLY WHERE WATER RESISTANCE IS NOT REQUIRED	

35 3/4" x 94 15/16" PANEL SIZE SHOWN. OTHER SIZES ARE APPROVED AS LONG AS INDIVIDUAL PANEL AREA DOES NOT EXCEED 23.56 FT²



- NOTES:
1. MAXIMUM VERTICAL MULLION BUILD UP 7". IF SIDELITE WIDTH IS 16" OR LESS NO VERTICAL MULLION IS REQUIRED
 2. STD SIDELITE D.L.O.: 12 3/8" X 78 3/8"
 3. DIRECT SET SIDELITE D.L.O.: 18 5/8" X 93 3/4"

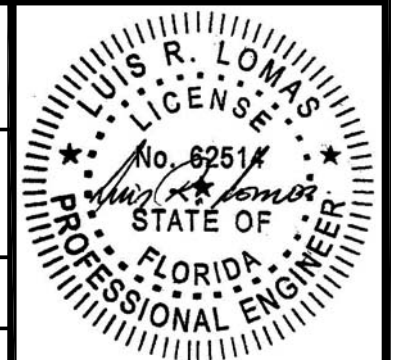
SIGNED: 08/30/2021

PROVIA, LLC.
2150 STATE ROUTE 39 WEST
SUGARCREEK, OH 44681

STEEL/FIBERGLASS INSWING OPAQUE SINGLE DOOR
W/SIDELITES NON-IMPACT
ELEVATION AND APPROVED CONFIGURATIONS

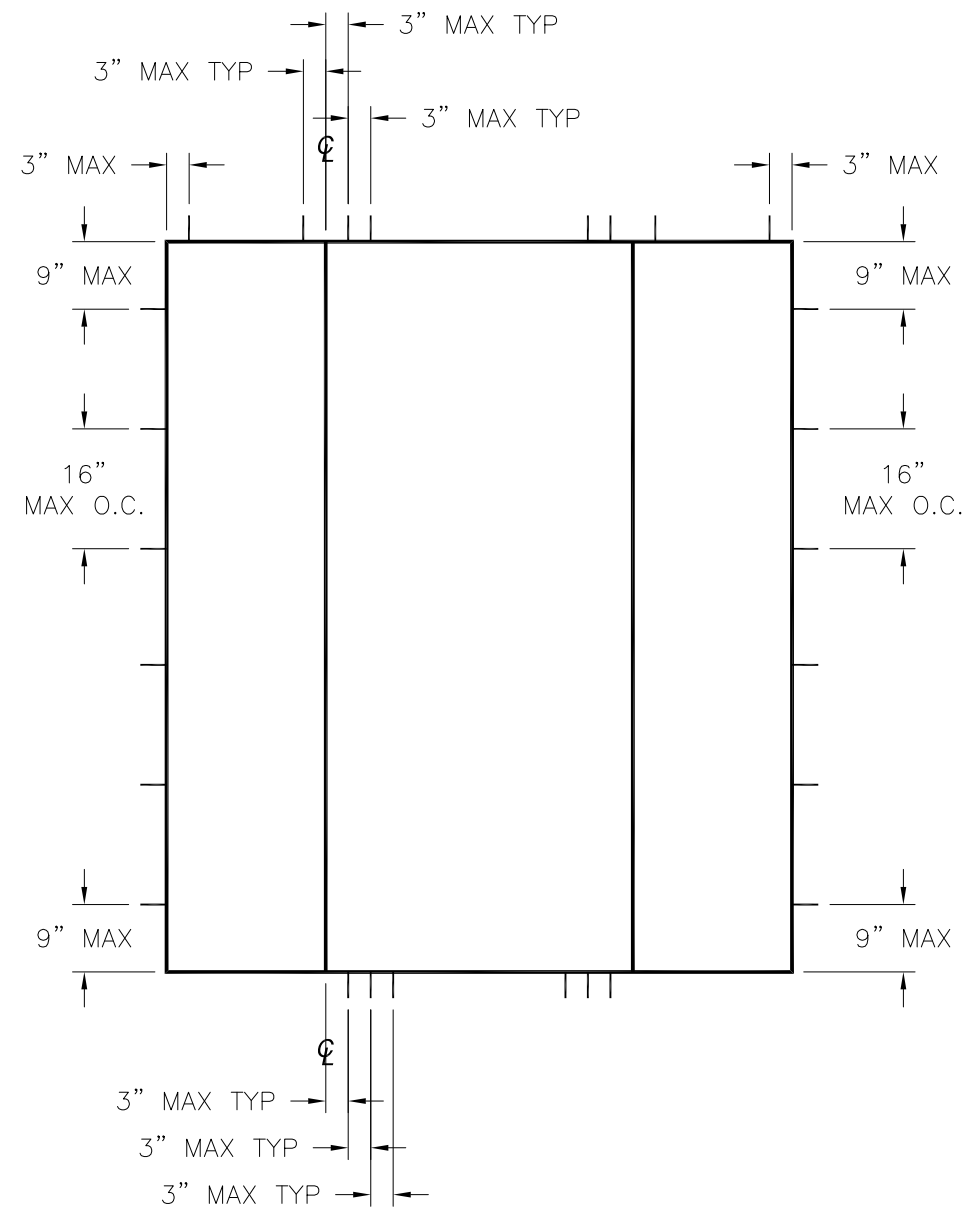
DRAWN: J.L.	DWG NO. 08-02082	REV I
SCALE NTS	DATE 06/20/13	SHEET 2 OF 13

L. ROBERTO LOMAS P.E.
1432 WOODFORD RD LEWISVILLE, NC 27023
434-688-0609 rllomas@lrlomaspe.com

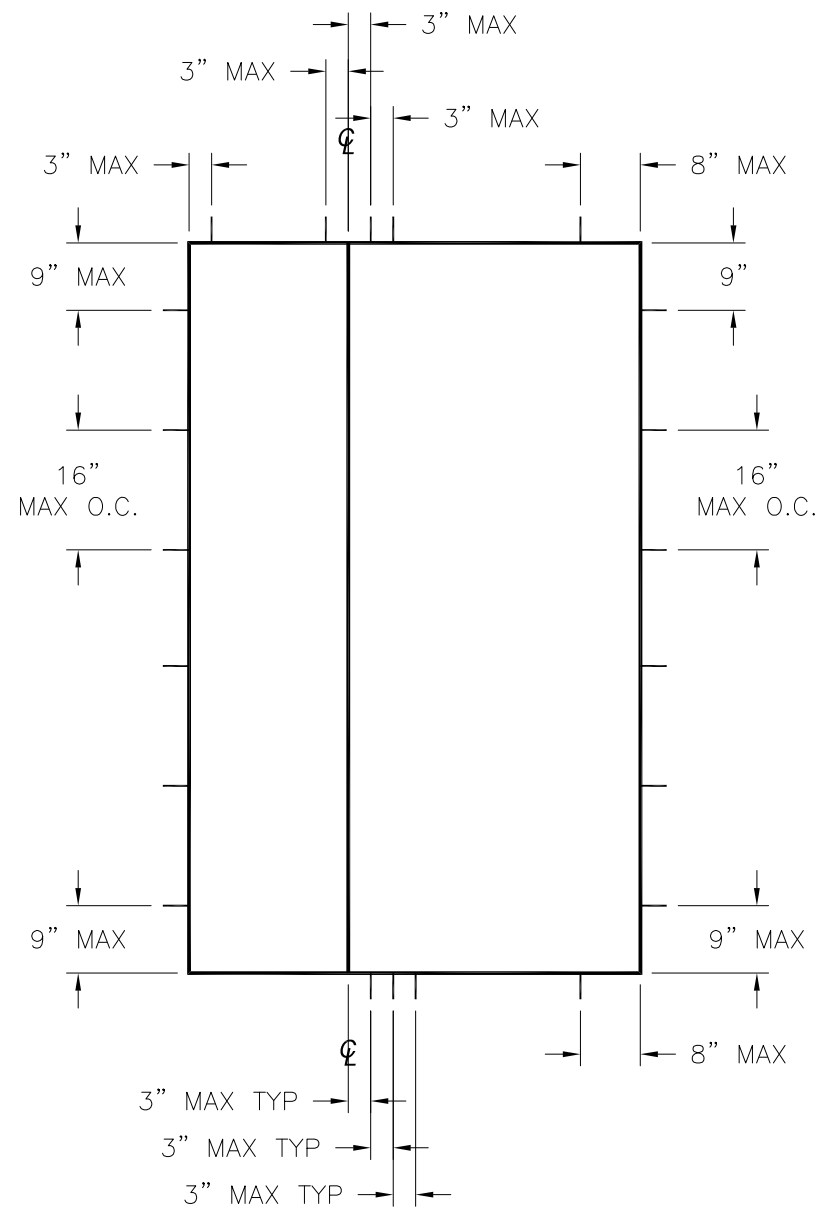


Luis R. Lomas P.E.
FL No.: 62514

REVISIONS			
REV	DESCRIPTION	DATE	APPROVED
I	ADDED GLAZED FIR TRIMS	08/30/2021	R.L.



SINGLE W/SIDELITES NON IMPACT
COMPOSITE/WOOD FRAME



SINGLE W/SIDELITE

HARDWARE SCHEDULE	
A.	F-SERIES LOCK ASSEMBLY DOOR KNOB BY SCHLAGE.
B.	B-SERIES DEADBOLT ASSEMBLY BY SCHLAGE.
C.	F-SERIES DEADBOLT ASSEMBLY BY SCHLAGE.
D.	RESIDENTIAL GRADE DOOR HANDLE ASSEMBLY BY EMTEK (ALTERNATE).
E.	MULTI-POINT LOCK HANDLE ASSEMBLY BY TRILENNIUM (ALTERNATE).
F.	(3) 4" x 4" BALL BEARING HINGES BY PENROD.
G.	(3) 4" x 4" SPRING BOMMER HINGES BY PENROD. (ALTERNATE)

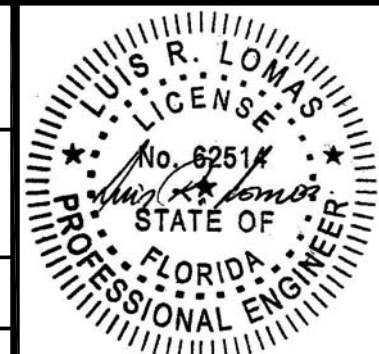
PROVIA, LLC.
2150 STATE ROUTE 39 WEST
SUGARCREEK, OH 44681

STEEL/FIBERGLASS INSWING OPAQUE SINGLE DOOR
W/SIDELITES NON-IMPACT
ANCHORING LAYOUTS

DRAWN: J.L.	DWG NO. 08-02082	REV I
SCALE NTS	DATE 06/20/13	SHEET 3 OF 13

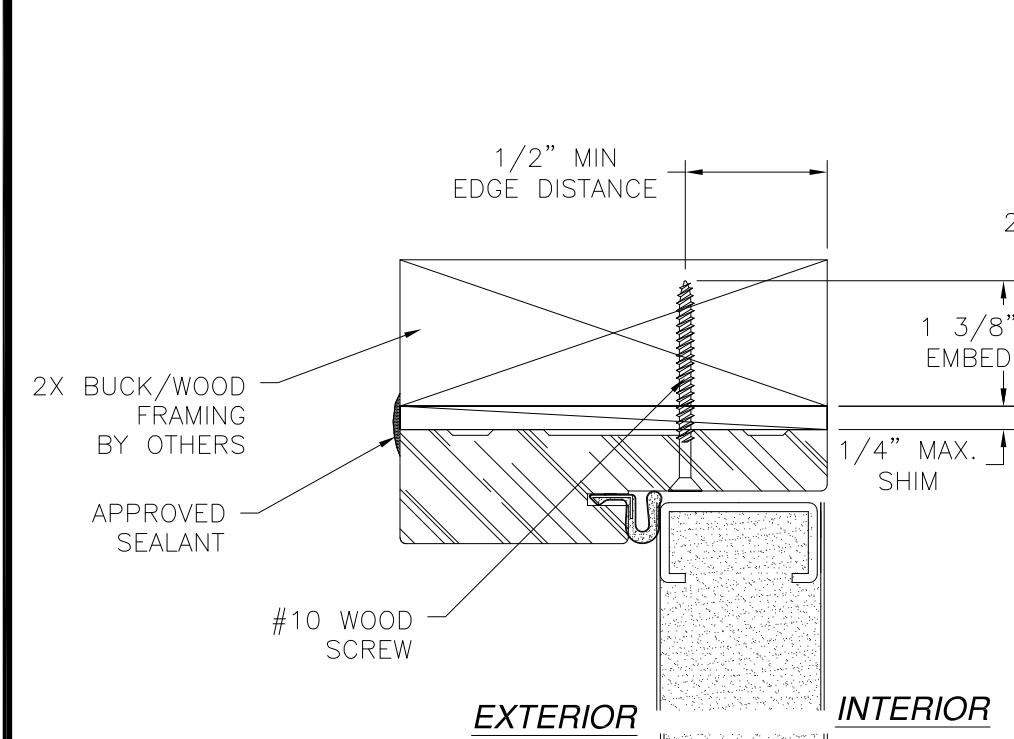
L. ROBERTO LOMAS P.E.
1432 WOODFORD RD LEWISVILLE, NC 27023
434-688-0609 rllomas@rlomaspe.com

SIGNED: 08/30/2021

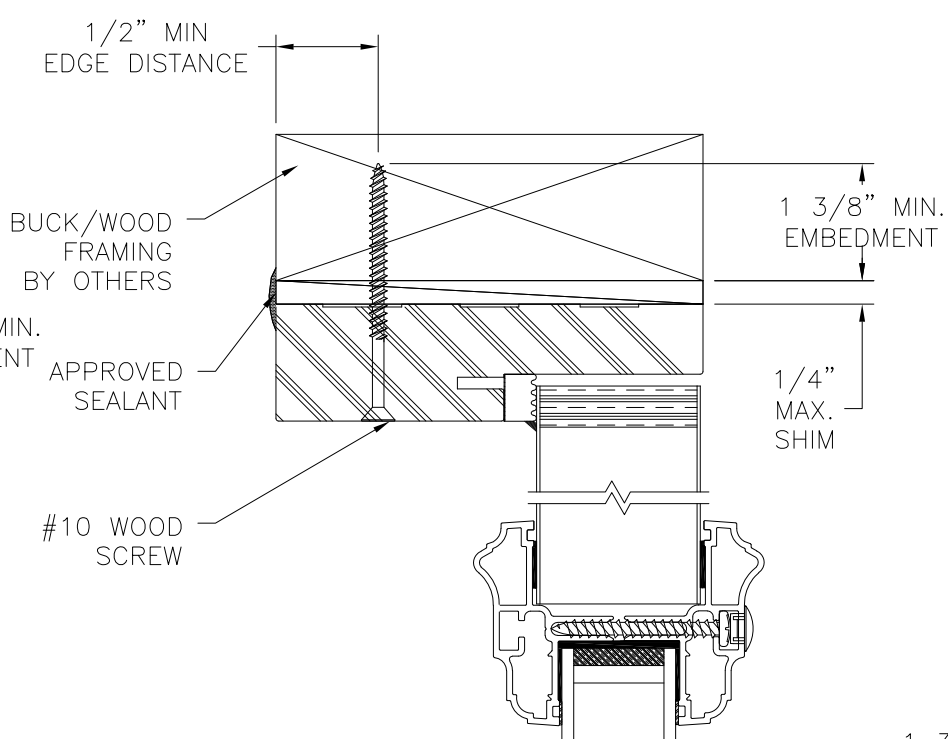


Luis R. Lomas P.E.
FL No.: 62514

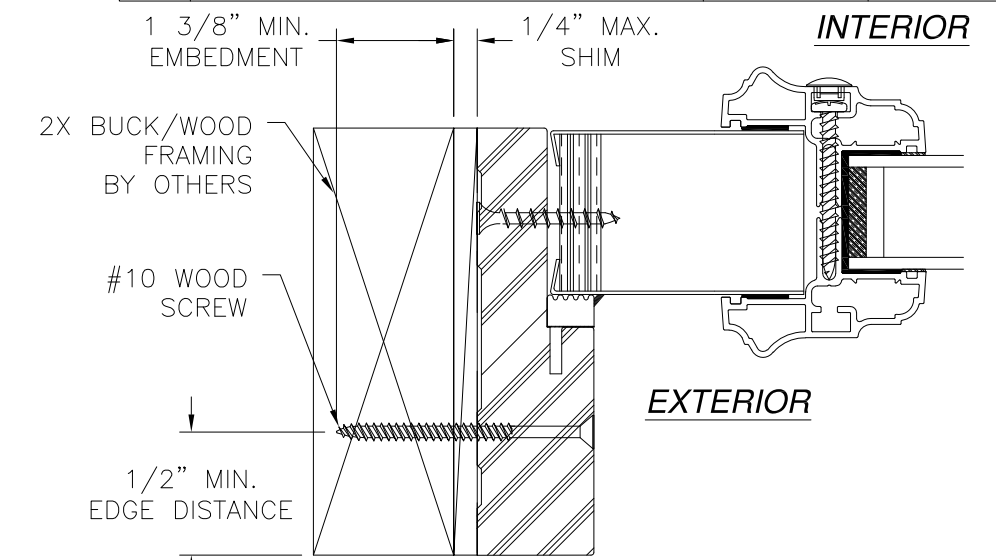
REVISIONS			
REV	DESCRIPTION	DATE	APPROVED
I	ADDED GLAZED FIR TRIMS	08/30/2021	R.L.



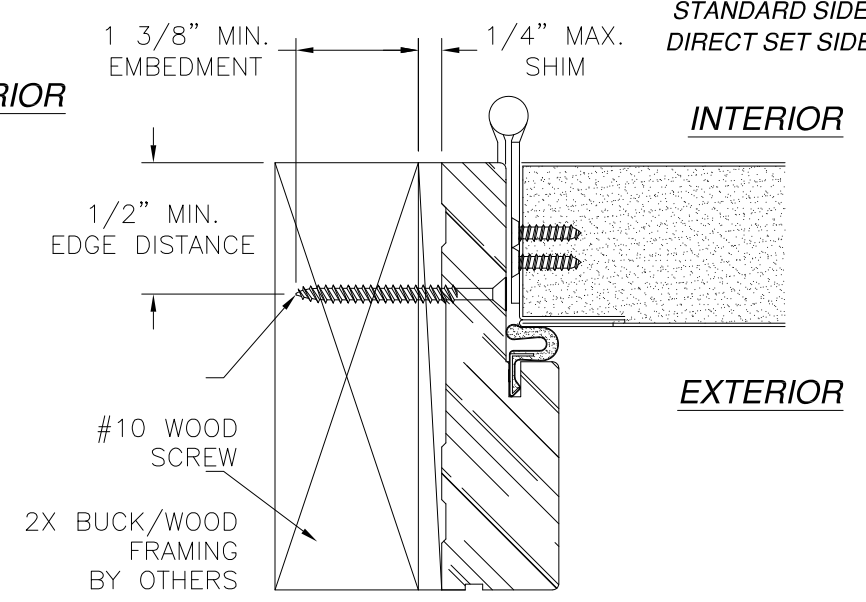
VERTICAL CROSS SECTION
DOOR INSTALLATION - 2X BUCK/WOOD FRAMING



VERTICAL CROSS SECTION
SIDELITE INSTALLATION 2X BUCK/WOOD FRAMING
STANDARD SIDELITE SHOWN
DIRECT SET SIDELITE SIMILAR



HORIZONTAL CROSS SECTION
SIDELITE INSTALLATION 2X BUCK/WOOD FRAMING
STANDARD SIDELITE SHOWN
DIRECT SET SIDELITE SIMILAR



HORIZONTAL CROSS SECTION
DOOR INSTALLATION - 2X BUCK/WOOD FRAMING

- NOTES:**
- INTERIOR AND EXTERIOR FINISHES, BY OTHERS, NOT SHOWN FOR CLARITY.
 - PERIMETER AND JOINT SEALANT BY OTHERS TO BE DESIGNED IN ACCORDANCE WITH ASTM E2112

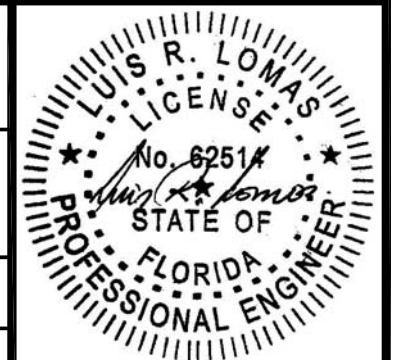
SIGNED: 08/30/2021

PROVIA, LLC.
2150 STATE ROUTE 39 WEST
SUGARCREEK, OH 44681

STEEL/FIBERGLASS INSWING OPAQUE SINGLE DOOR
W/SIDELITES NON-IMPACT
INSTALLATION DETAILS

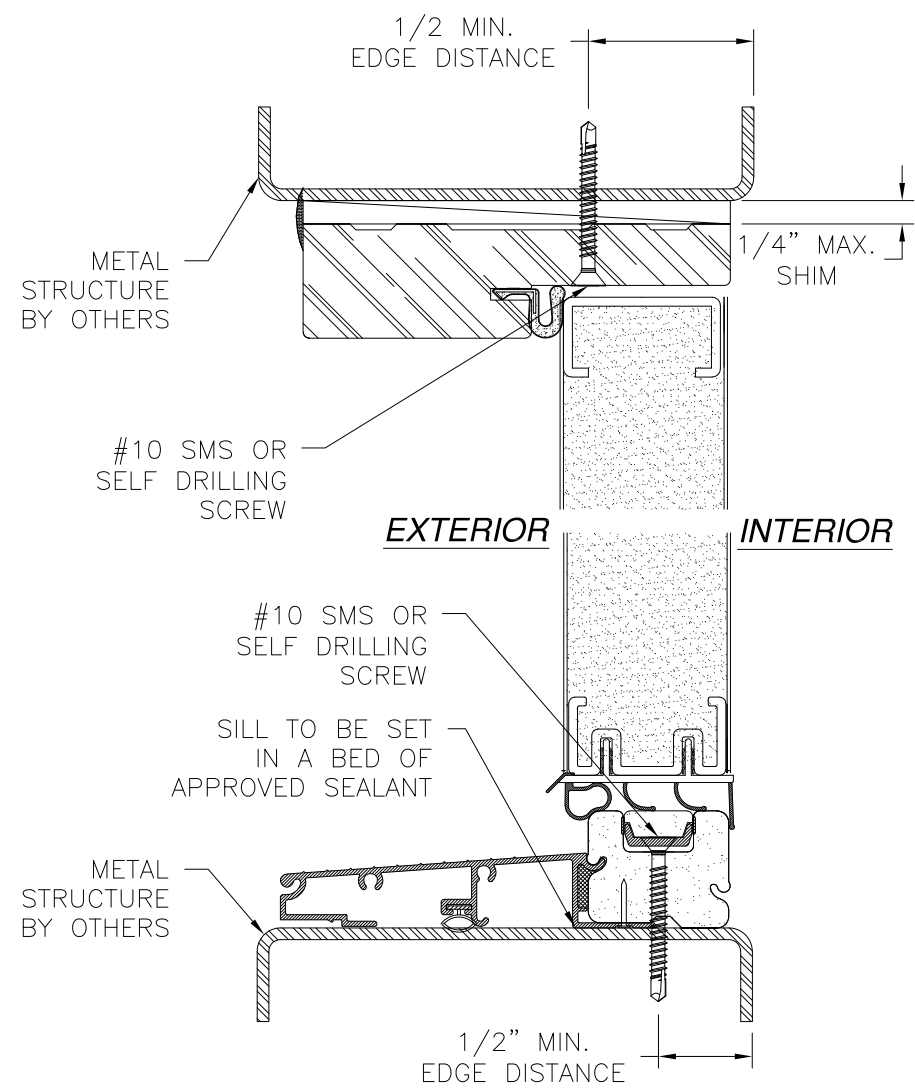
DRAWN: J.L.	DWG NO. 08-02082	REV I
SCALE NTS	DATE 06/20/13	SHEET 4 OF 13

L. ROBERTO LOMAS P.E.
1432 WOODFORD RD LEWISVILLE, NC 27023
434-688-0609 rllomas@rlomaspe.com

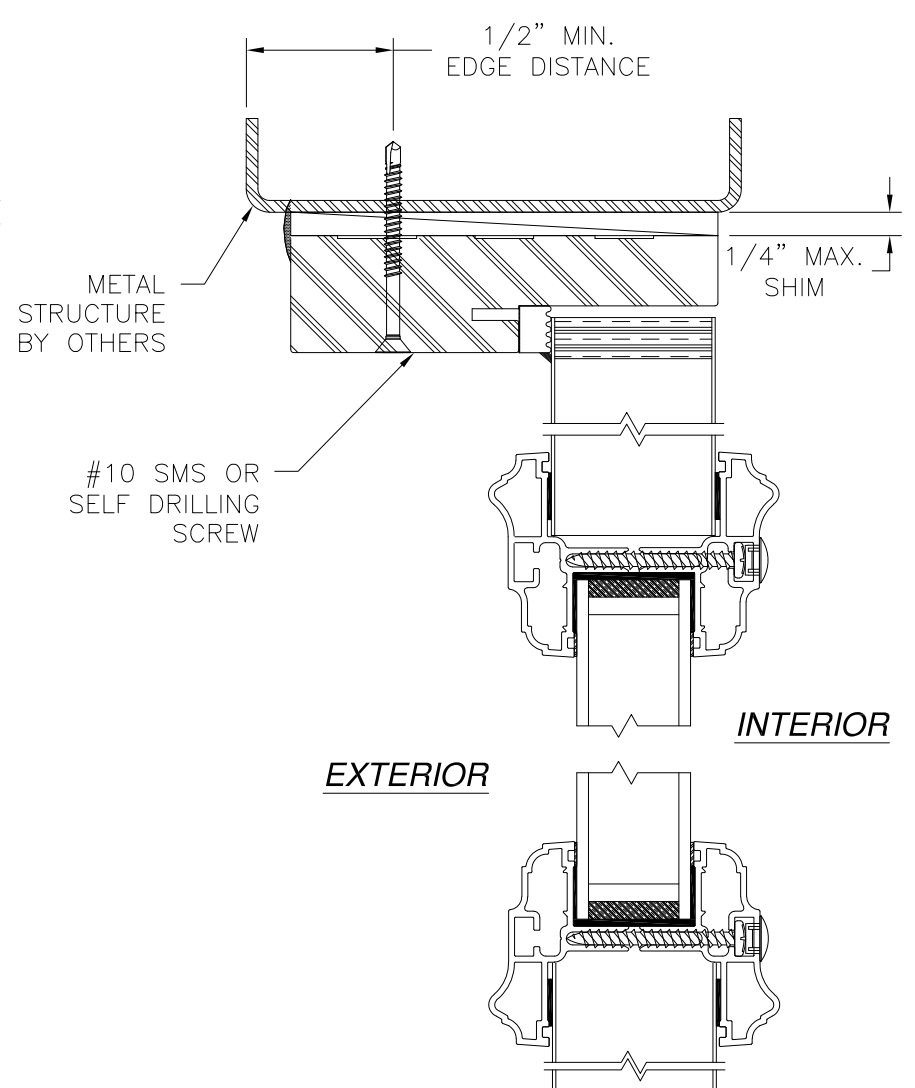


Luis R. Lomas P.E.
FL No.: 62514

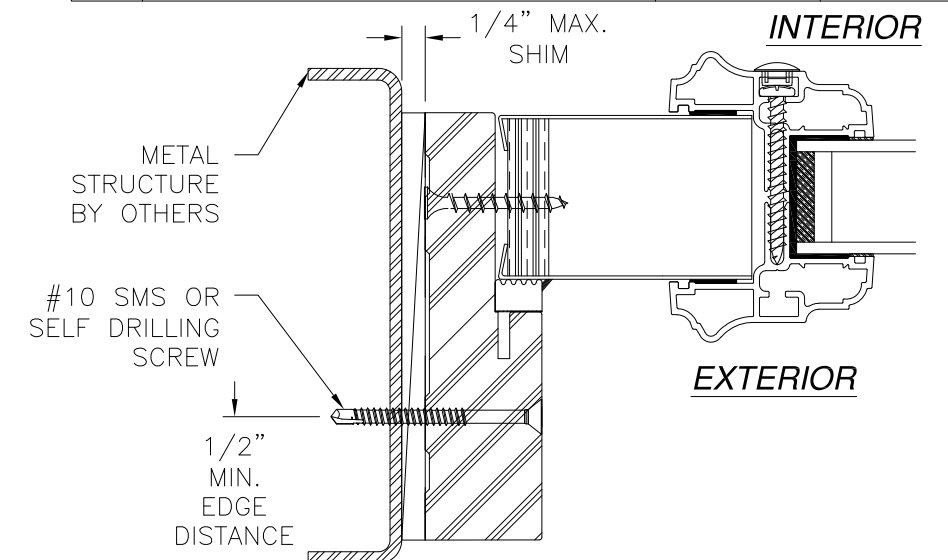
REVISIONS			
REV	DESCRIPTION	DATE	APPROVED
I	ADDED GLAZED FIR TRIMS	08/30/2021	R.L.



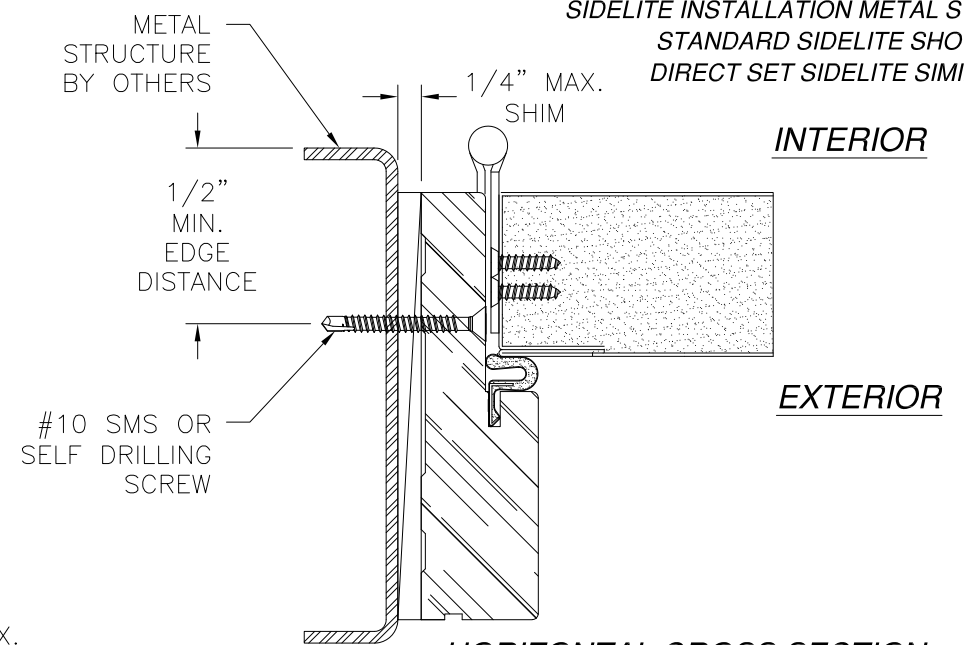
VERTICAL CROSS SECTION
DOOR INSTALLATION METAL STRUCTURE



VERTICAL CROSS SECTION
SIDELITE INSTALLATION METAL STRUCTURE
STANDARD SIDELITE SHOWN
DIRECT SET SIDELITE SIMILAR



HORIZONTAL CROSS SECTION
SIDELITE INSTALLATION METAL STRUCTURE
STANDARD SIDELITE SHOWN
DIRECT SET SIDELITE SIMILAR



HORIZONTAL CROSS SECTION
DOOR INSTALLATION METAL STRUCTURE

SIGNED: 08/30/2021

- NOTES:
- INTERIOR AND EXTERIOR FINISHES, BY OTHERS, NOT SHOWN FOR CLARITY.
 - PERIMETER AND JOINT SEALANT BY OTHERS TO BE DESIGNED IN ACCORDANCE WITH ASTM E2112

PROVIA, LLC.
2150 STATE ROUTE 39 WEST
SUGARCREEK, OH 44681

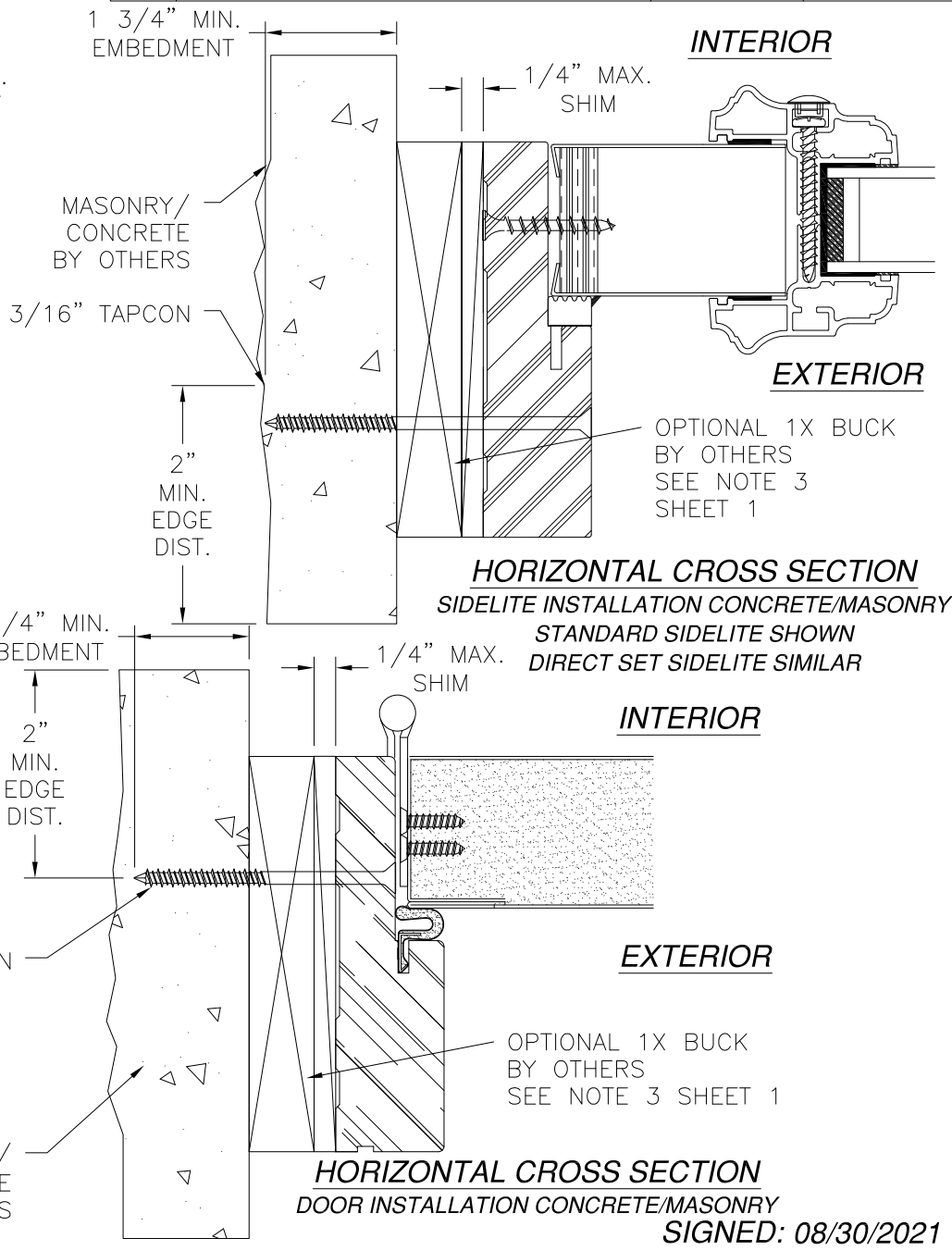
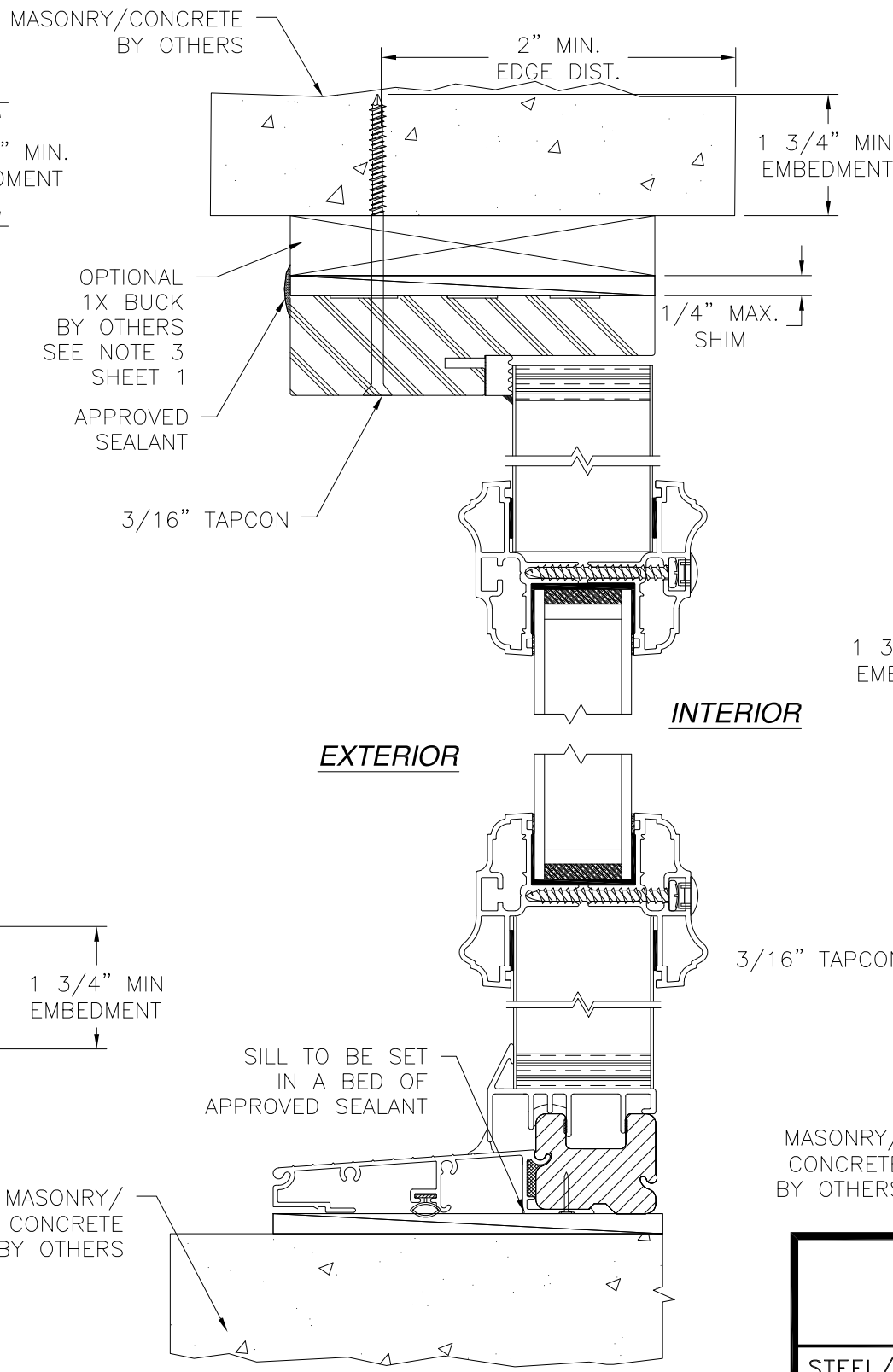
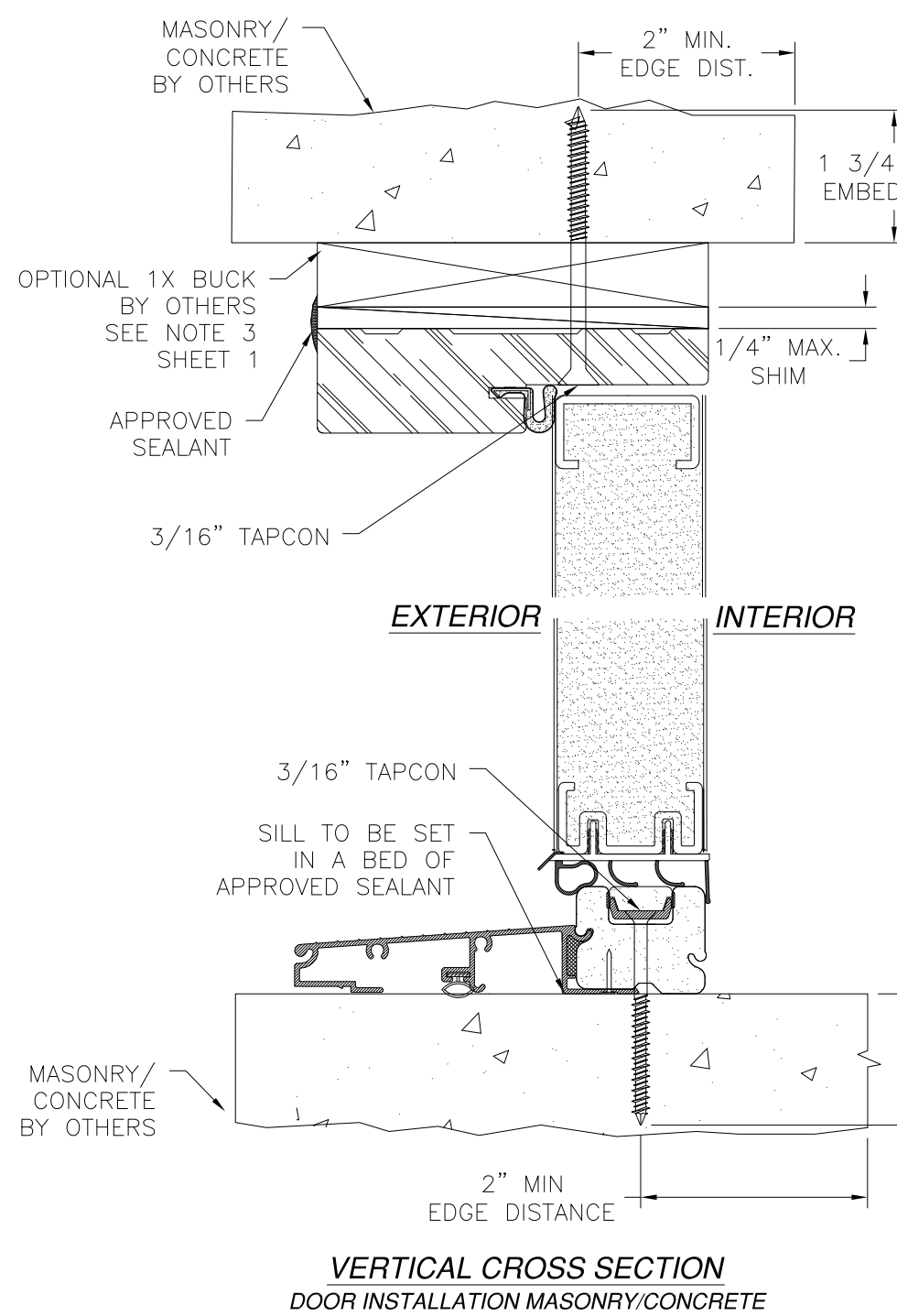
STEEL/FIBERGLASS INSWING OPAQUE SINGLE DOOR
W/SIDELITES NON-IMPACT
INSTALLATION DETAILS

DRAWN: J.L.	DWG NO. 08-02082	REV I
SCALE NTS	DATE 06/20/13	SHEET 5 OF 13

L. ROBERTO LOMAS P.E.
1432 WOODFORD RD LEWISVILLE, NC 27023
434-688-0609 rllomas@rlomaspe.com

Luis R. Lomas P.E.
FL No.: 62514

REVISIONS			
REV	DESCRIPTION	DATE	APPROVED
I	ADDED GLAZED FIR TRIMS	08/30/2021	R.L.



- NOTES:**
- INTERIOR AND EXTERIOR FINISHES, BY OTHERS, NOT SHOWN FOR CLARITY.
 - PERIMETER AND JOINT SEALANT BY OTHERS TO BE DESIGNED IN ACCORDANCE WITH ASTM E2112

PROVIA, LLC.
2150 STATE ROUTE 39 WEST
SUGARCREEK, OH 44681

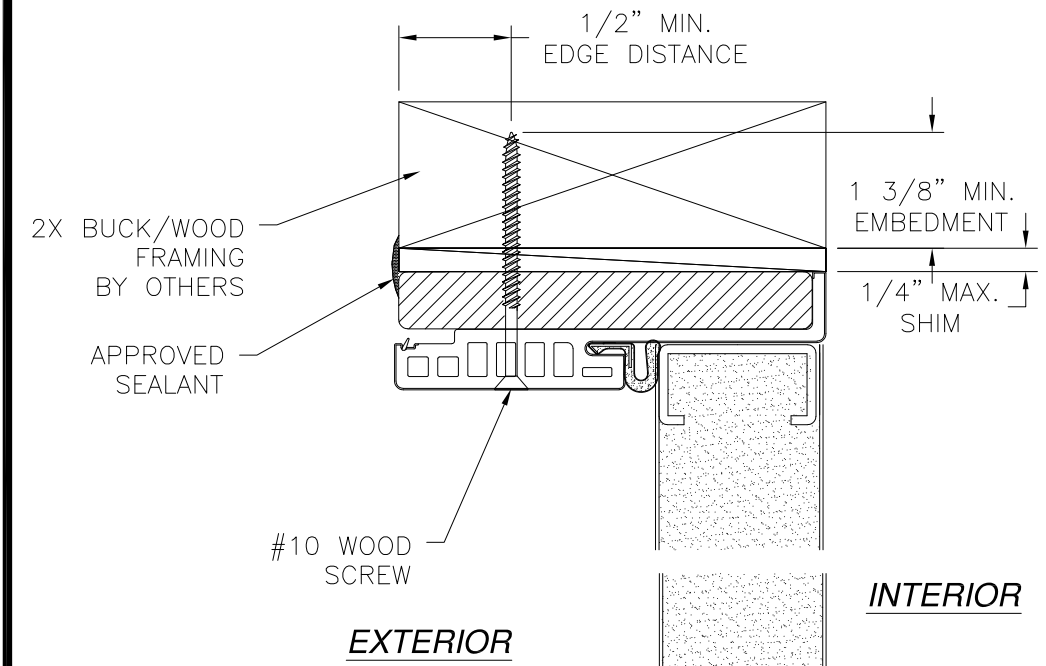
STEEL/FIBERGLASS INSWING OPAQUE SINGLE DOOR
W/SIDELITES NON-IMPACT
INSTALLATION DETAILS

DRAWN: J.L.	DWG NO. 08-02082	REV I
SCALE NTS	DATE 06/20/13	SHEET 6 OF 13

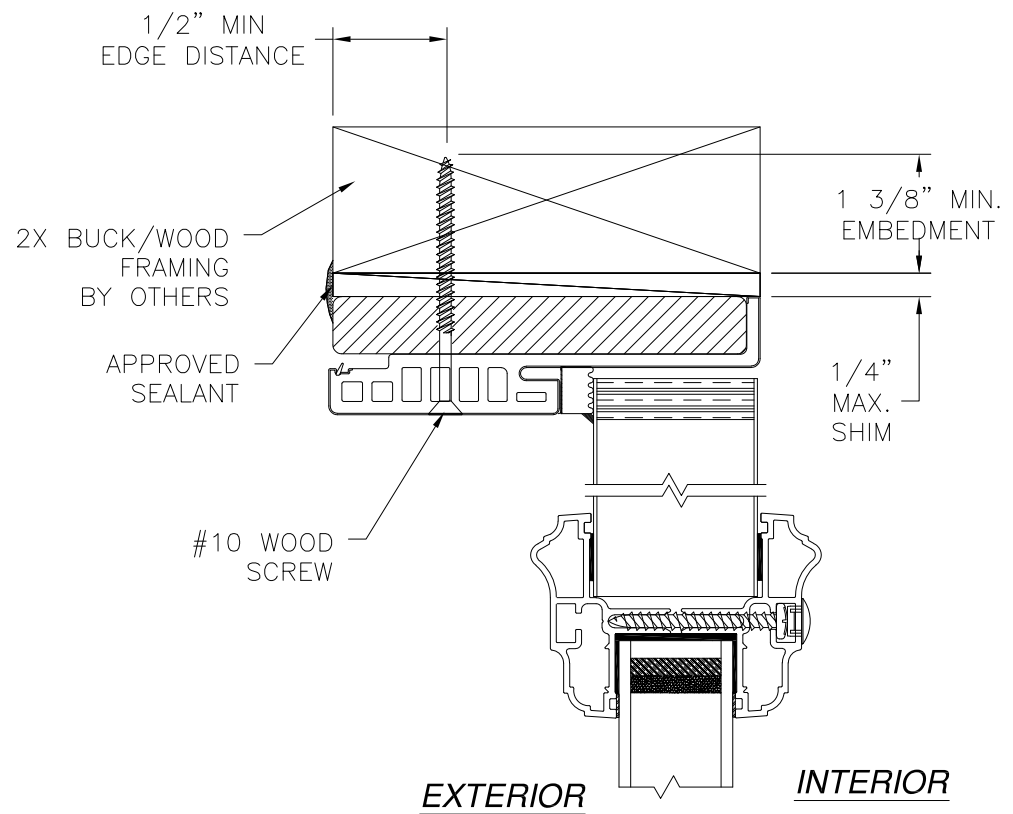
L. ROBERTO LOMAS P.E.
1432 WOODFORD RD LEWISVILLE, NC 27023
434-688-0609 rllomas@rlomaspe.com

Luis R. Lomas P.E.
FL No.: 62514

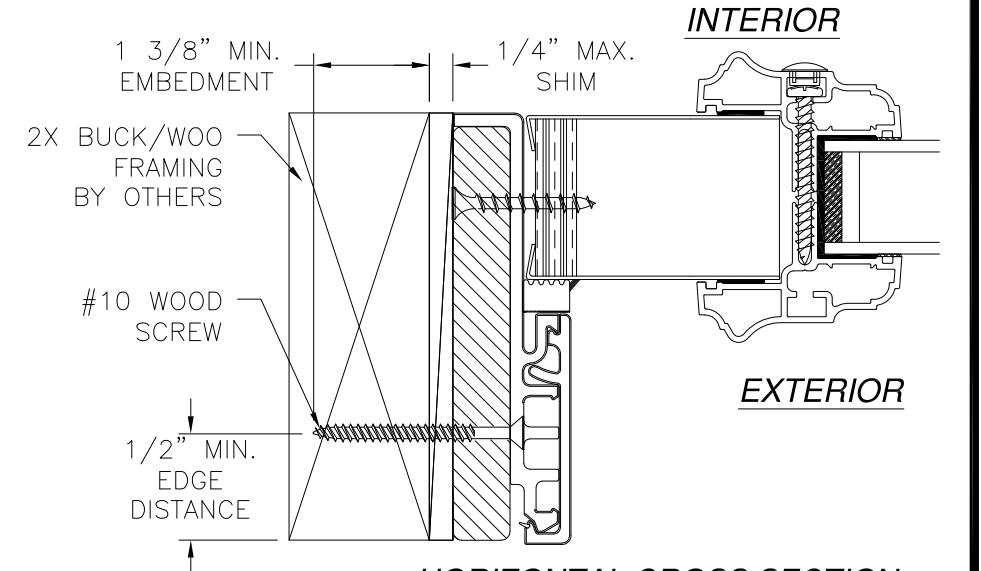
REVISIONS			
REV	DESCRIPTION	DATE	APPROVED
I	ADDED GLAZED FIR TRIMS	08/30/2021	R.L.



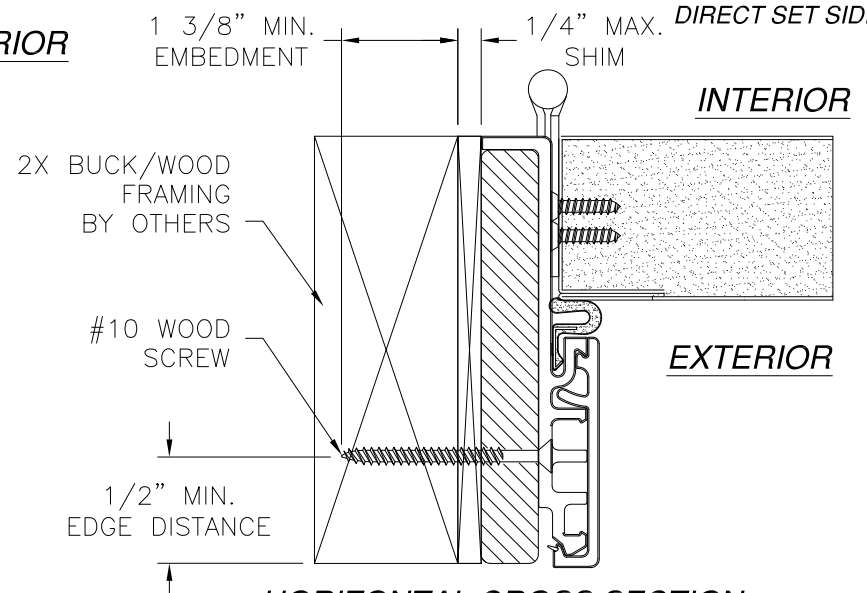
VERTICAL CROSS SECTION
DOOR INSTALLATION - 2X BUCK/WOOD FRAMING



VERTICAL CROSS SECTION
SIDELITE INSTALLATION 2X BUCK/WOOD FRAMING
STANDARD SIDELITE SHOWN
DIRECT SET SIDELITE SIMILAR



HORIZONTAL CROSS SECTION
SIDELITE INSTALLATION 2X BUCK/WOOD FRAMING
STANDARD SIDELITE SHOWN
DIRECT SET SIDELITE SIMILAR



HORIZONTAL CROSS SECTION
DOOR INSTALLATION - 2X BUCK/WOOD FRAMING

SIGNED: 08/30/2021

- NOTES:**
- INTERIOR AND EXTERIOR FINISHES, BY OTHERS, NOT SHOWN FOR CLARITY.
 - PERIMETER AND JOINT SEALANT BY OTHERS TO BE DESIGNED IN ACCORDANCE WITH ASTM E2112

PROVIA, LLC.
2150 STATE ROUTE 39 WEST
SUGARCREEK, OH 44681

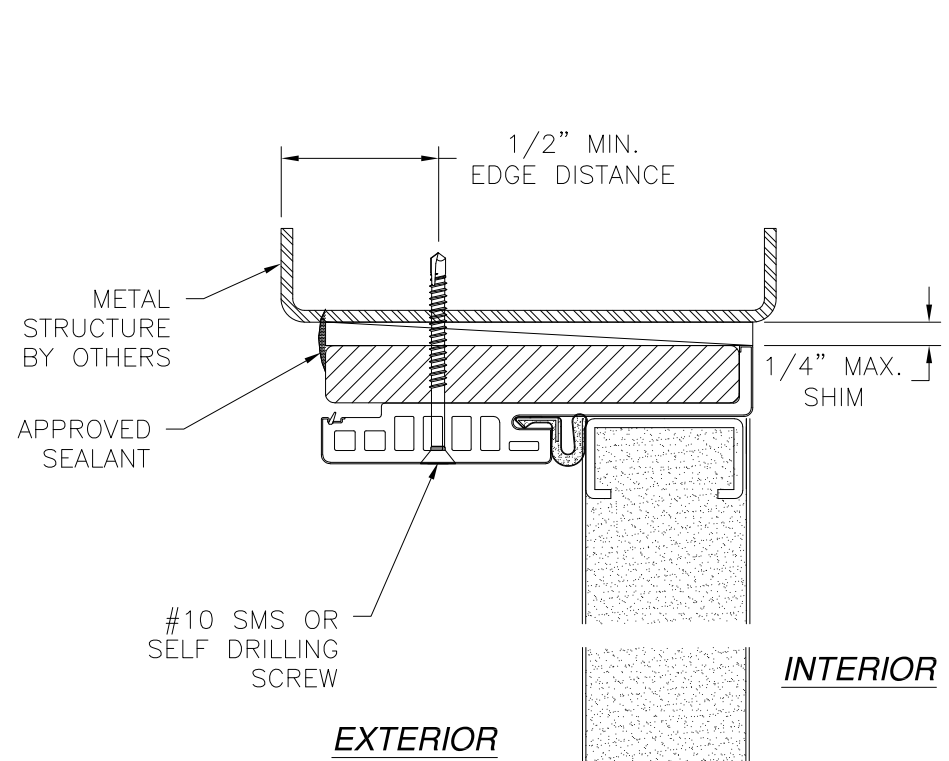
STEEL/FIBERGLASS INSWING OPAQUE SINGLE DOOR
W/SIDELITES NON-IMPACT
INSTALLATION DETAILS W/FUSION FRAME

DRAWN: J.L.	DWG NO. 08-02082	REV I
SCALE NTS	DATE 06/20/13	SHEET 7 OF 13

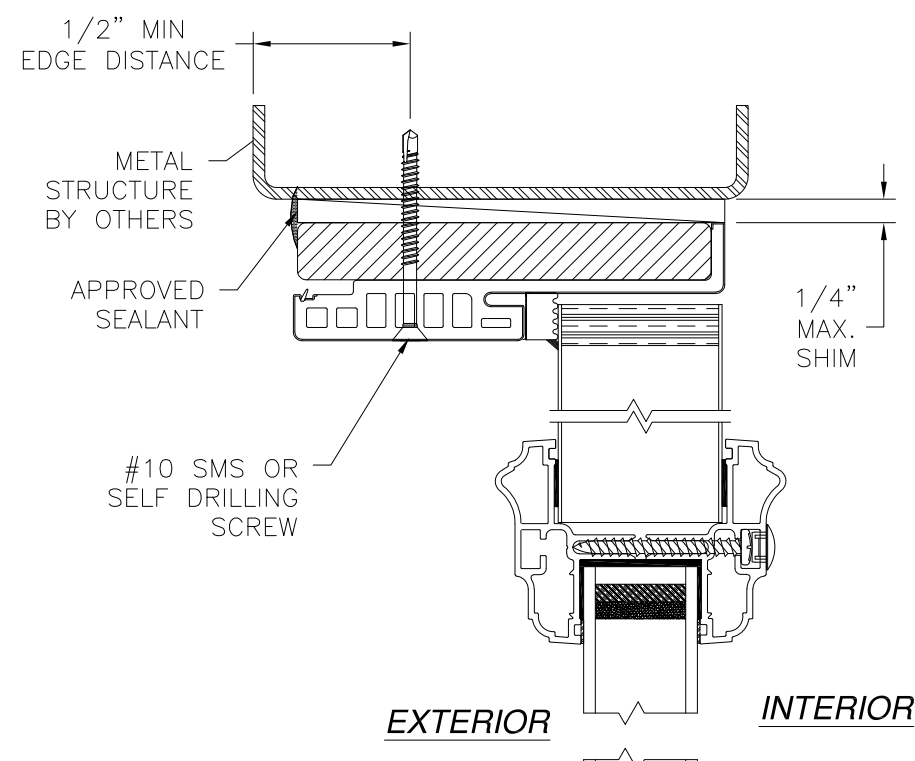
L. ROBERTO LOMAS P.E.
1432 WOODFORD RD LEWISVILLE, NC 27023
434-688-0609 rllomas@rlomaspe.com

Luis R. Lomas P.E.
FL No.: 62514

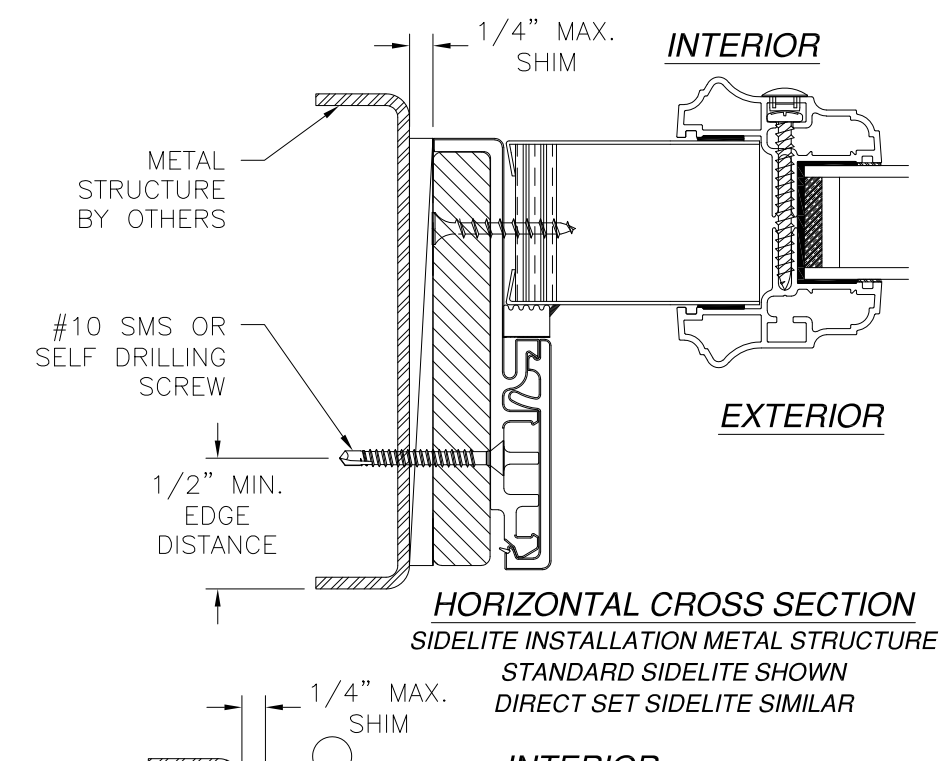
REVISIONS			
REV	DESCRIPTION	DATE	APPROVED
I	ADDED GLAZED FIR TRIMS	08/30/2021	R.L.



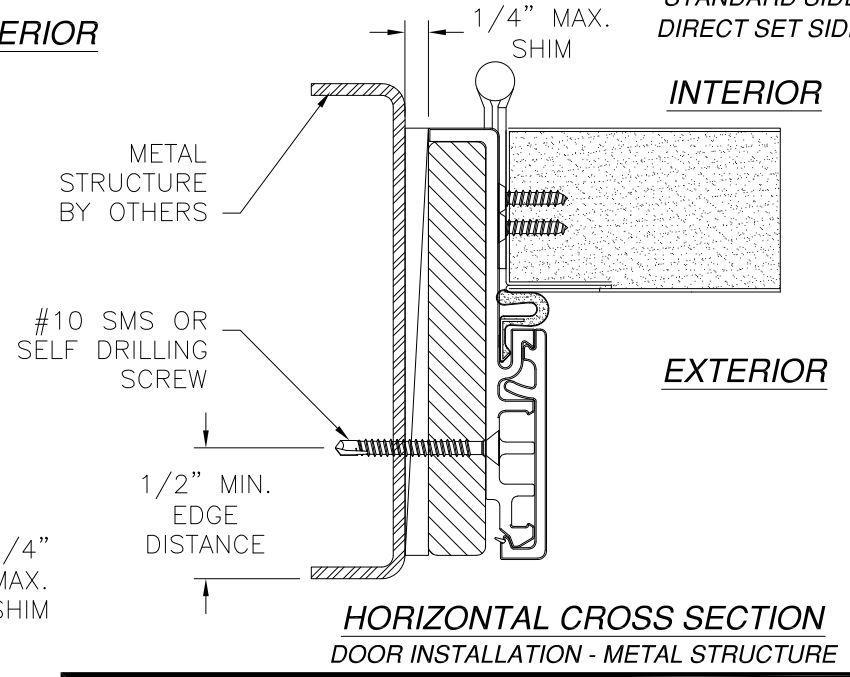
VERTICAL CROSS SECTION
DOOR INSTALLATION - METAL STRUCTURE



VERTICAL CROSS SECTION
SIDELITE INSTALLATION 2X BUCK/WOOD FRAMING
STANDARD SIDELITE SHOWN
DIRECT SET SIDELITE SIMILAR



HORIZONTAL CROSS SECTION
SIDELITE INSTALLATION METAL STRUCTURE
STANDARD SIDELITE SHOWN
DIRECT SET SIDELITE SIMILAR



HORIZONTAL CROSS SECTION
DOOR INSTALLATION - METAL STRUCTURE

SIGNED: 08/30/2021

- NOTES:**
1. INTERIOR AND EXTERIOR FINISHES, BY OTHERS, NOT SHOWN FOR CLARITY.
 2. PERIMETER AND JOINT SEALANT BY OTHERS TO BE DESIGNED IN ACCORDANCE WITH ASTM E2112

PROVIA, LLC.
2150 STATE ROUTE 39 WEST
SUGARCREEK, OH 44681

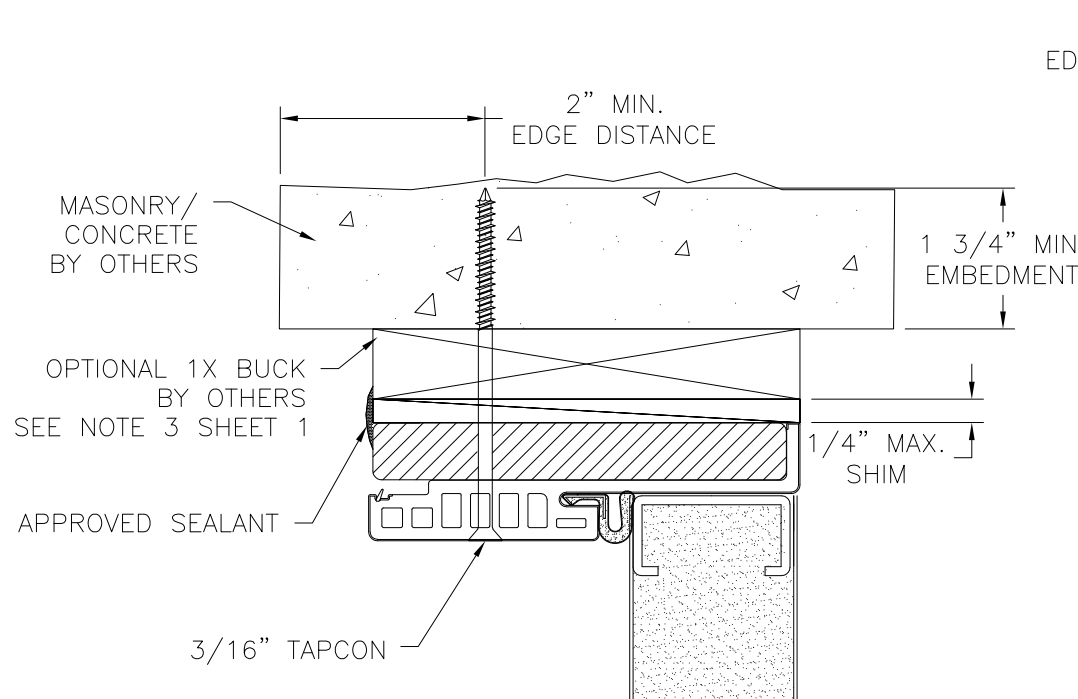
STEEL/FIBERGLASS INSWING OPAQUE SINGLE DOOR
W/SIDELITES NON-IMPACT
INSTALLATION DETAILS W/FUSION FRAME

DRAWN: J.L.	DWG NO. 08-02082	REV I
SCALE NTS	DATE 06/20/13	SHEET 8 OF 13

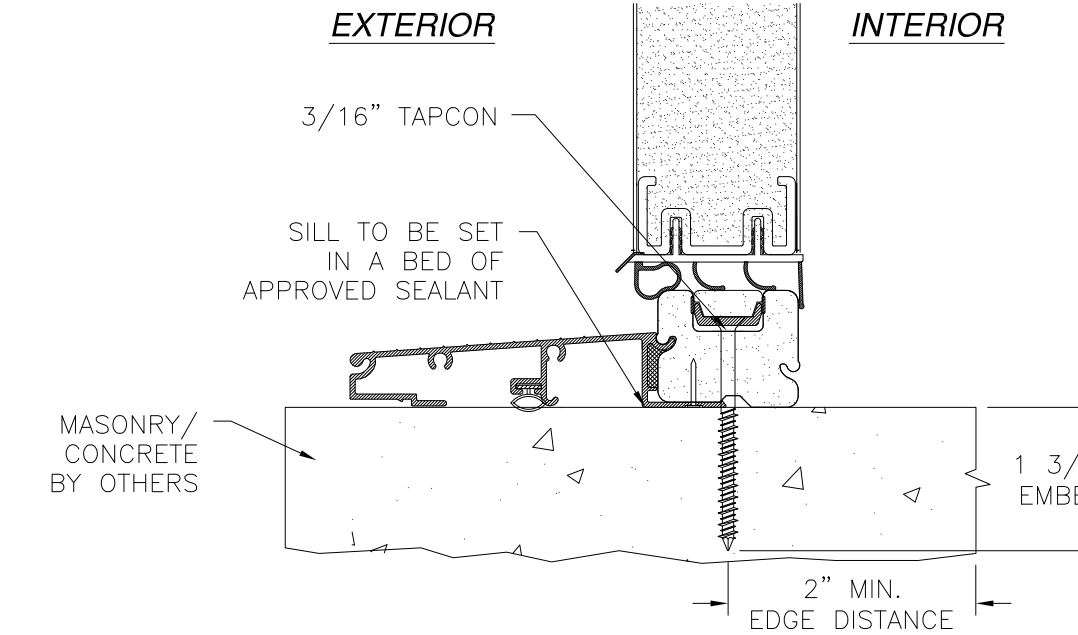
L. ROBERTO LOMAS P.E.
1432 WOODFORD RD LEWISVILLE, NC 27023
434-688-0609 rllomas@rlomaspe.com

Luis R. Lomas P.E.
FL No.: 62514

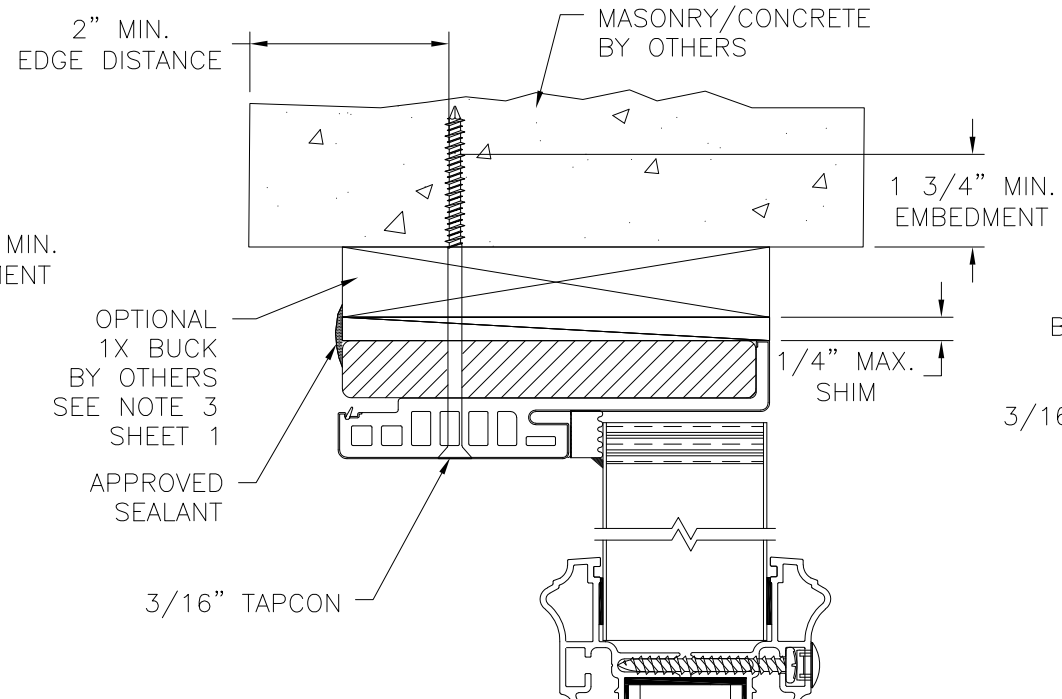
REVISIONS			
REV	DESCRIPTION	DATE	APPROVED
I	ADDED GLAZED FIR TRIMS	08/30/2021	R.L.



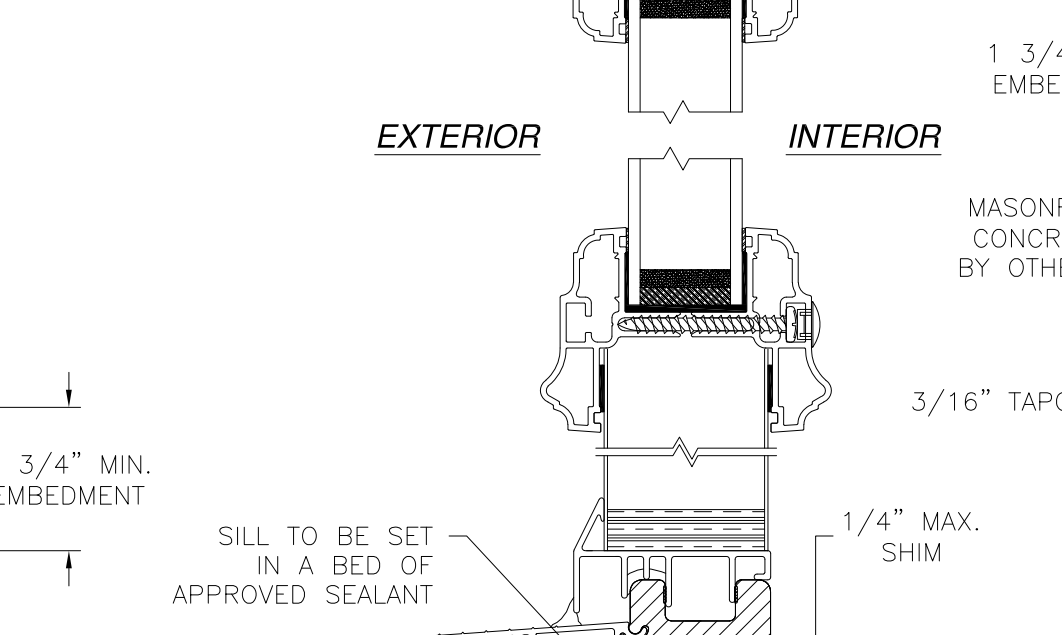
VERTICAL CROSS SECTION
DOOR INSTALLATION MASONRY/CONCRETE



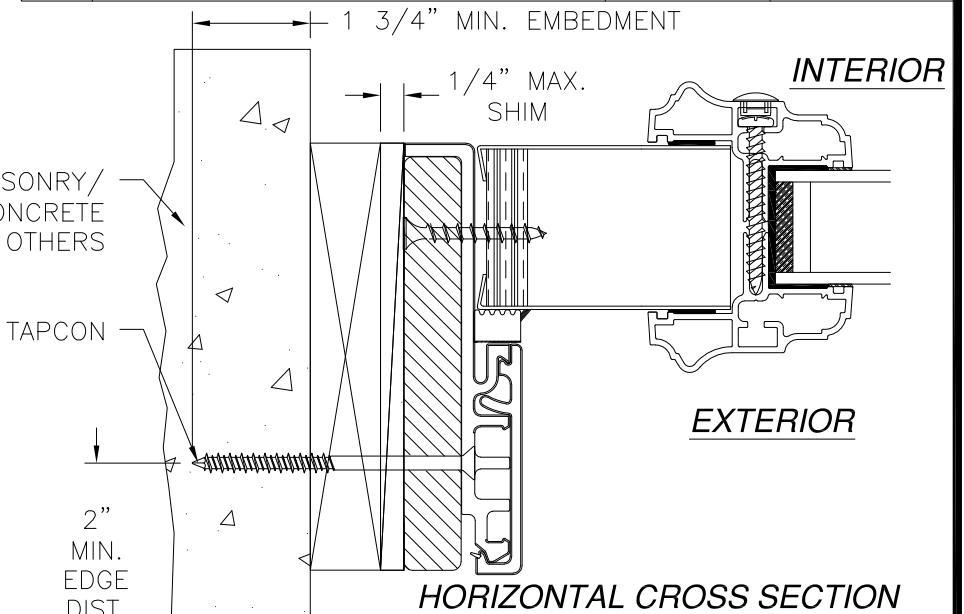
VERTICAL CROSS SECTION
DOOR INSTALLATION MASONRY/CONCRETE



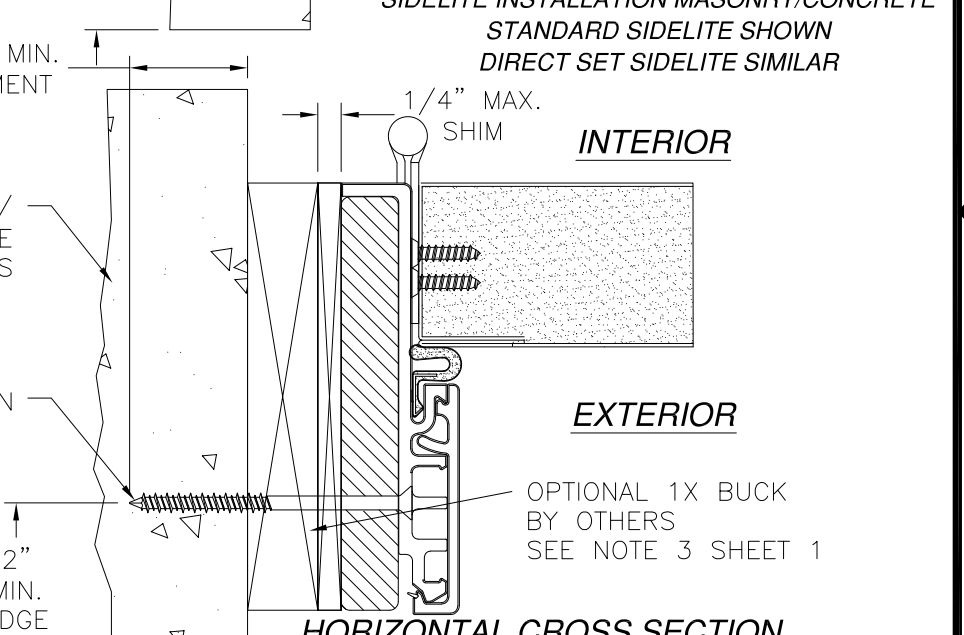
VERTICAL CROSS SECTION
SIDELITE INSTALLATION MASONRY/CONCRETE



VERTICAL CROSS SECTION
SIDELITE INSTALLATION MASONRY/CONCRETE



HORIZONTAL CROSS SECTION
SIDELITE INSTALLATION MASONRY/CONCRETE
STANDARD SIDELITE SHOWN
DIRECT SET SIDELITE SIMILAR



HORIZONTAL CROSS SECTION
DOOR INSTALLATION CONCRETE/MASONRY
SIGNED: 08/30/2021

- NOTES:**
1. INTERIOR AND EXTERIOR FINISHES, BY OTHERS, NOT SHOWN FOR CLARITY.
 2. PERIMETER AND JOINT SEALANT BY OTHERS TO BE DESIGNED IN ACCORDANCE WITH ASTM E2112

PROVIA, LLC.
2150 STATE ROUTE 39 WEST
SUGARCREEK, OH 44681

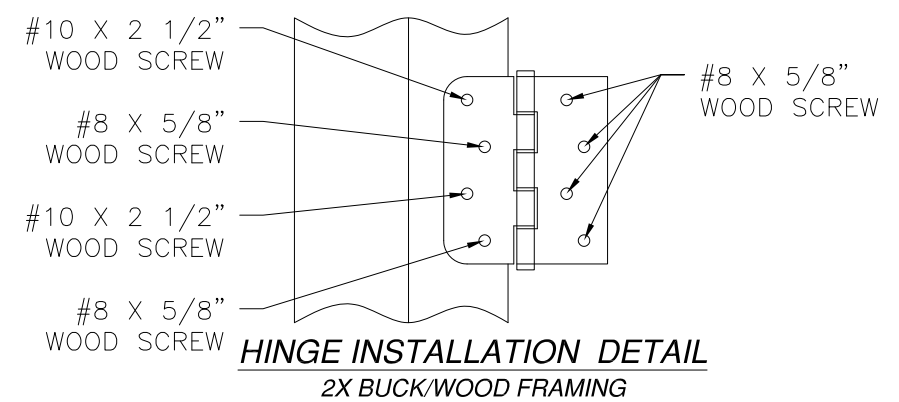
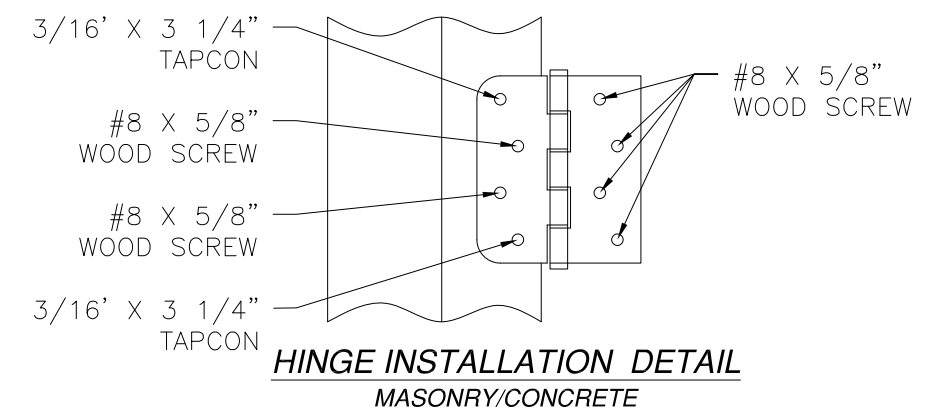
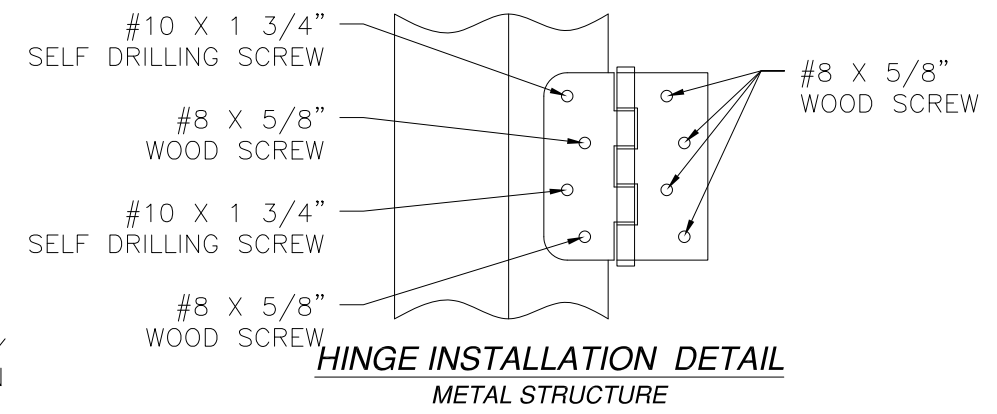
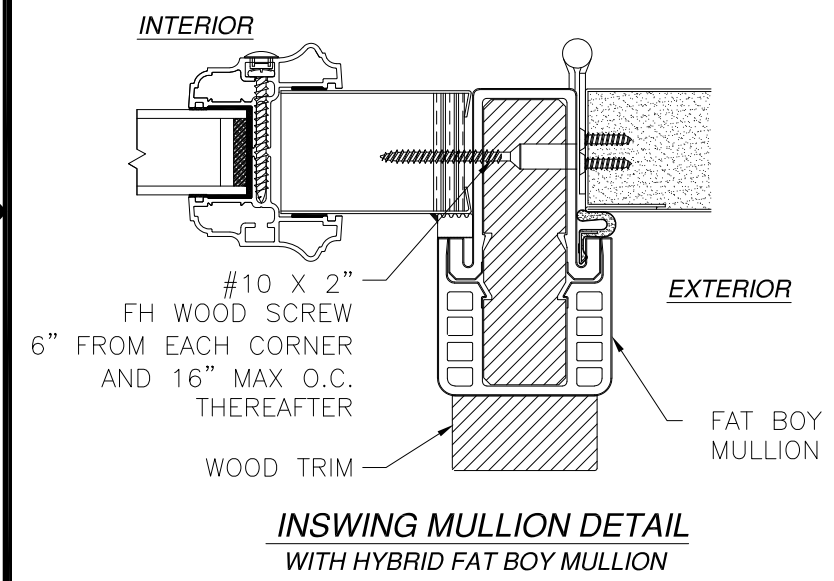
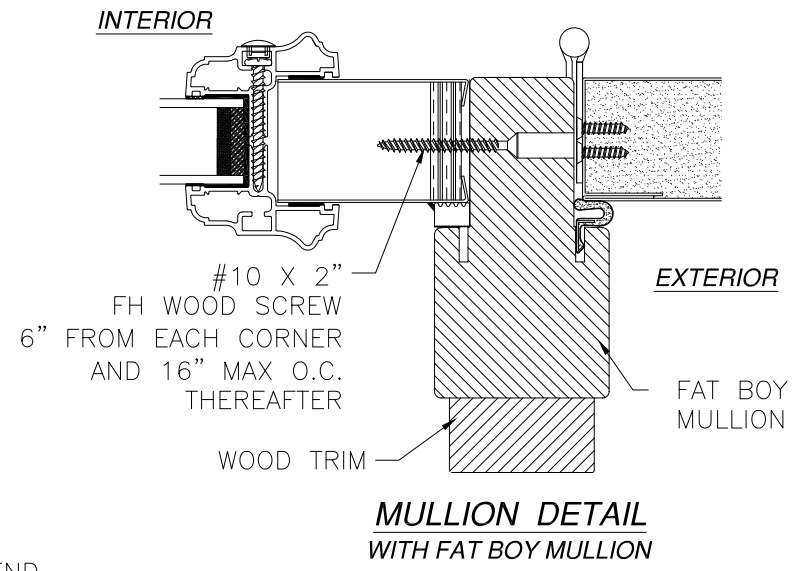
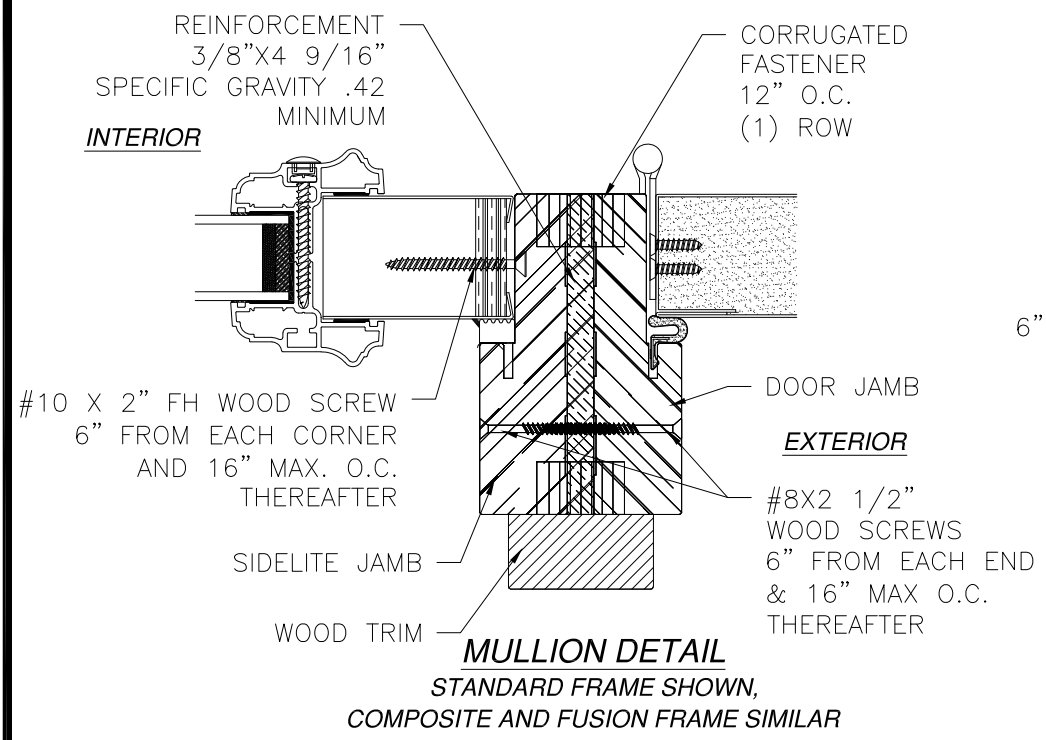
STEEL/FIBERGLASS INSWING OPAQUE SINGLE DOOR
W/SIDELITES NON-IMPACT
INSTALLATION DETAILS W/FUSION FRAME

DRAWN: J.L.	DWG NO. 08-02082	REV I
SCALE NTS	DATE 06/20/13	SHEET 9 OF 13

L. ROBERTO LOMAS P.E.
1432 WOODFORD RD LEWISVILLE, NC 27023
434-688-0609 rllomas@rlomaspe.com

Luis R. Lomas P.E.
FL No.: 62514

REVISIONS			
REV	DESCRIPTION	DATE	APPROVED
I	ADDED GLAZED FIR TRIMS	08/30/2021	R.L.



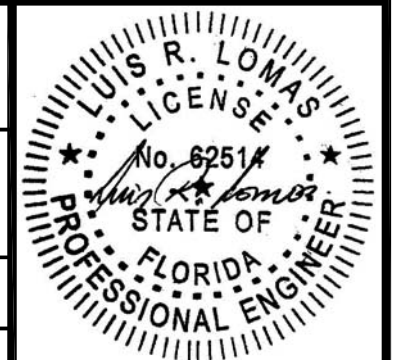
PROVIA, LLC.
2150 STATE ROUTE 39 WEST
SUGARCREEK, OH 44681

STEEL/FIBERGLASS INSWING OPAQUE SINGLE DOOR
W/SIDELITES NON-IMPACT
HINGES AND MULLION DETAILS

DRAWN: J.L.	DWG NO. 08-02082	REV I
SCALE NTS	DATE 06/20/13	SHEET 10 OF 13

L. ROBERTO LOMAS P.E.
1432 WOODFORD RD LEWISVILLE, NC 27023
434-688-0609 rllomas@lrlomaspe.com

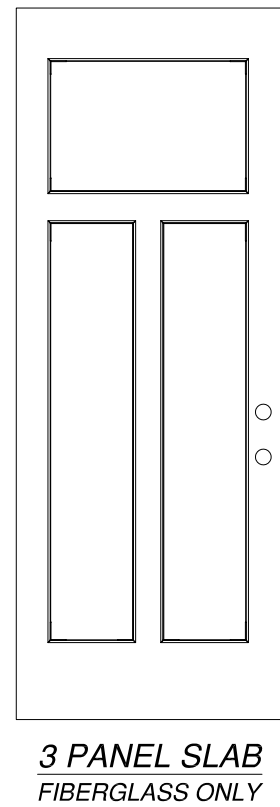
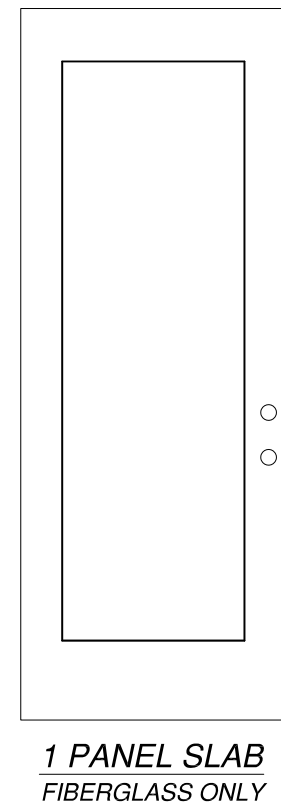
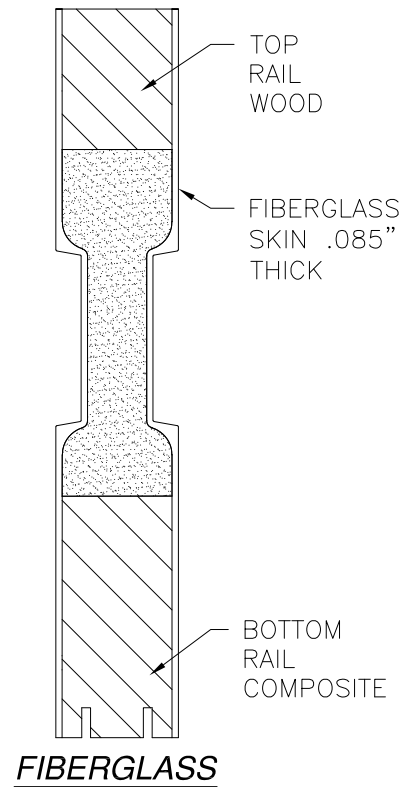
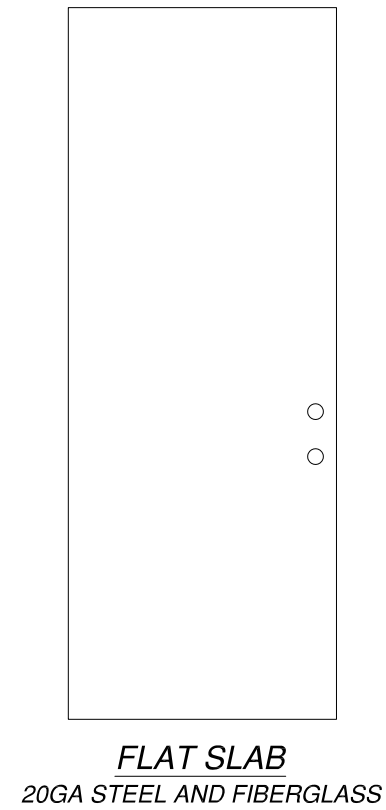
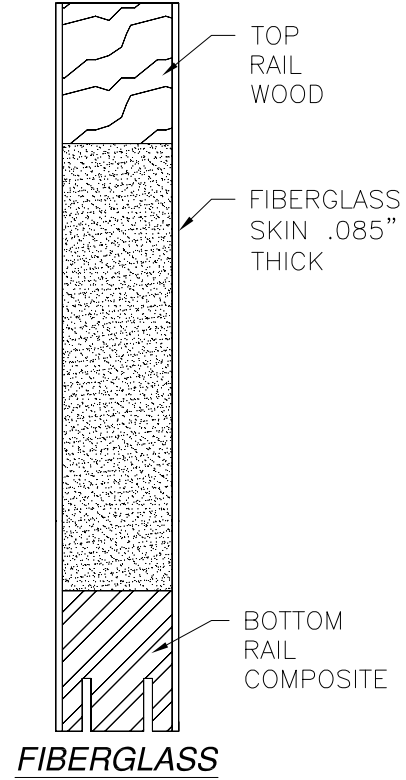
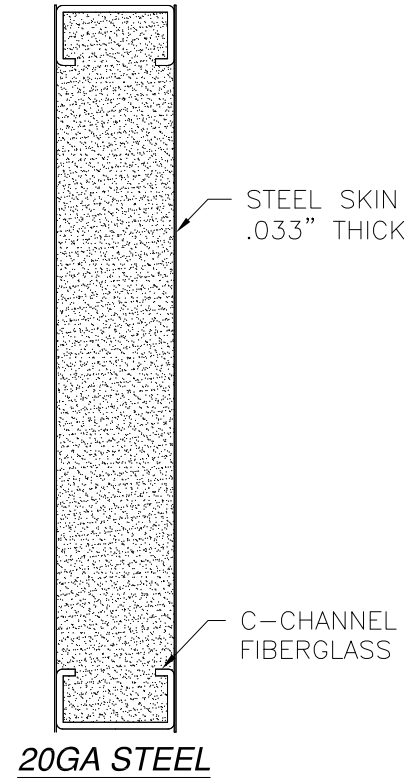
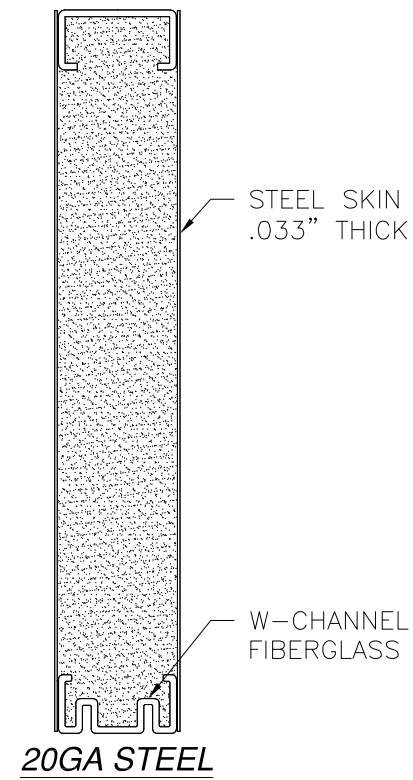
SIGNED: 08/30/2021



Luis R. Lomas P.E.
FL No.: 62514

APPROVED DOOR SLABS AND CROSS SECTIONS

REVISIONS			
REV	DESCRIPTION	DATE	APPROVED
I	ADDED GLAZED FIR TRIMS	08/30/2021	R.L.



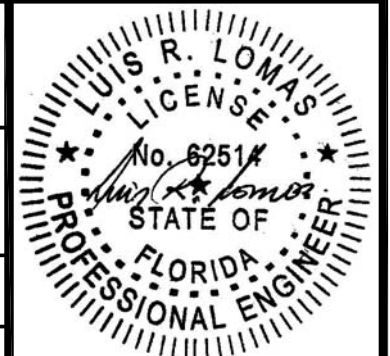
PROVIA, LLC.
2150 STATE ROUTE 39 WEST
SUGARCREEK, OH 44681

STEEL/FIBERGLASS INSWING OPAQUE SINGLE DOOR
W/SIDELITES NON-IMPACT
APPROVED SLABS AND TRIMS

DRAWN: J.L.	DWG NO. 08-02082	REV I
SCALE NTS	DATE 06/20/13	SHEET 11 OF 13

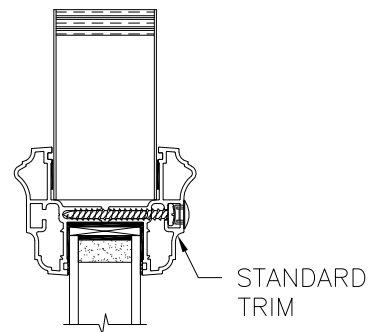
L. ROBERTO LOMAS P.E.
1432 WOODFORD RD LEWISVILLE, NC 27023
434-688-0609 rllomas@rlomaspe.com

SIGNED: 08/30/2021

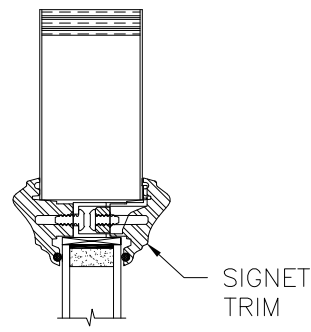


Luis R. Lomas P.E.
FL No.: 62514

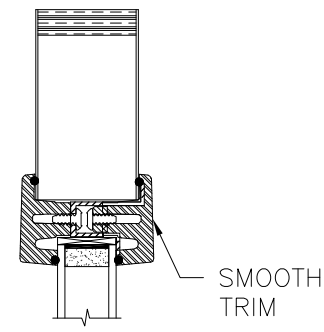
REVISIONS			
REV	DESCRIPTION	DATE	APPROVED
I	ADDED GLAZED FIR TRIMS	08/30/2021	R.L.



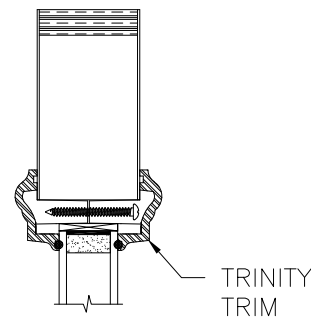
STANDARD TRIM



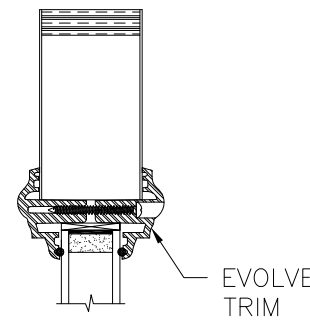
SIGNET TRIM



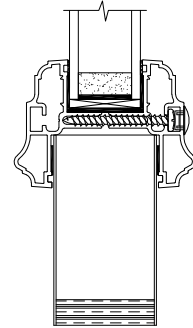
SMOOTH TRIM



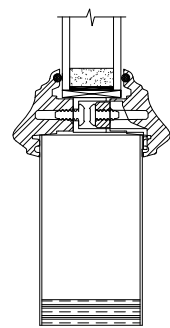
TRINITY TRIM



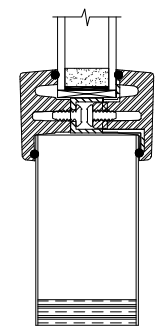
EVOLVE TRIM



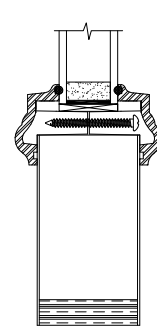
OPTION 1
STANDARD TRIM



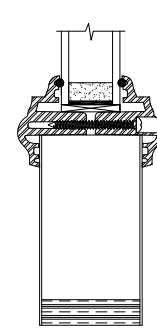
OPTION 2
SIGNET TRIM



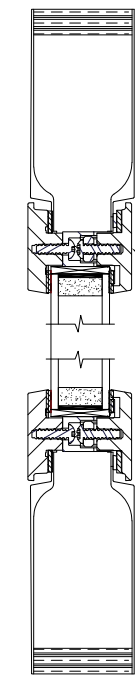
OPTION 3
SMOOTH TRIM



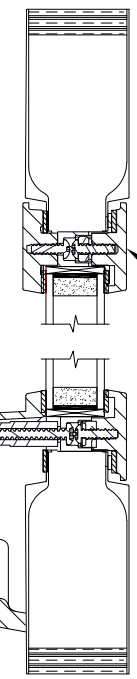
OPTION 4
TRINITY TRIM



OPTION 5
EVOLVE TRIM



OPTION 11
SIGNET FIR TRIM

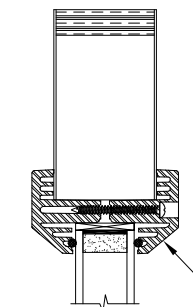


OPTION 12
SIGNET FIR &
DENTIL SHELF TRIM

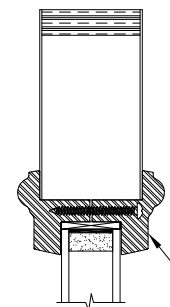
SIGNET FIR TRIM

SIGNET FIR TRIM
DENTIL SHELF

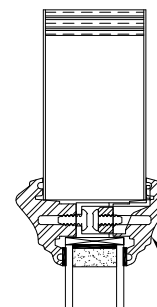
SIGNET FIR TRIM



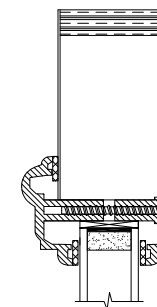
SPOTLIGHT TRIM



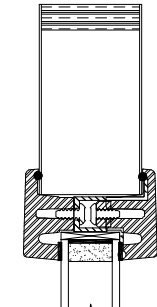
RSL TRIM



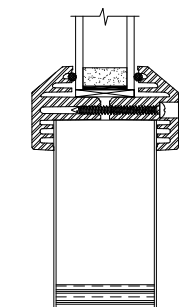
PLUGLESS TRIM



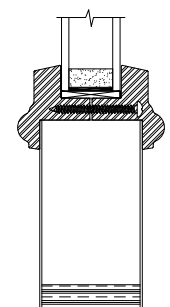
ELTON TRIM



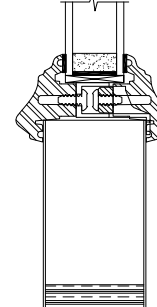
SMOOTH TRIM



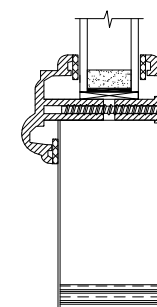
OPTION 6
SPOTLIGHT TRIM



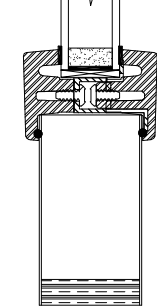
OPTION 7
RSL TRIM



OPTION 8
PLUGLESS TRIM
W/TAPE



OPTION 9
ELTON TRIM



OPTION 10
SMOOTH TRIM
W/TAPE

APPROVED SLABS AND TRIMS

SIGNED: 08/30/2021

PROVIA, LLC.

2150 STATE ROUTE 39 WEST
SUGARCREEK, OH 44681

STEEL/FIBERGLASS INSWING OPAQUE SINGLE DOOR
W/SIDELITES NON-IMPACT
APPROVED SLABS AND TRIMS

DRAWN: J.L. DWG NO. 08-02082 REV I

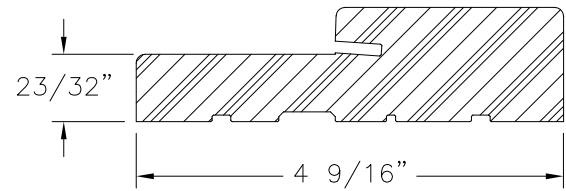
SCALE NTS DATE 06/20/13 SHEET 12 OF 13

L. ROBERTO LOMAS P.E.
1432 WOODFORD RD LEWISVILLE, NC 27023
434-688-0609 rllomas@lrlomaspe.com

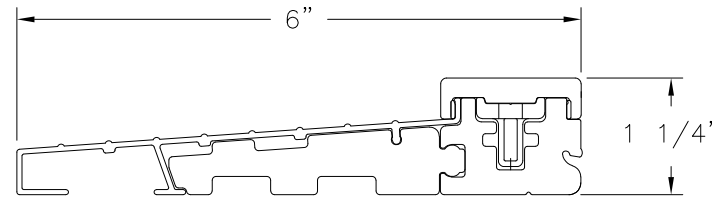


Luis R. Lomas P.E.
FL No.: 62514

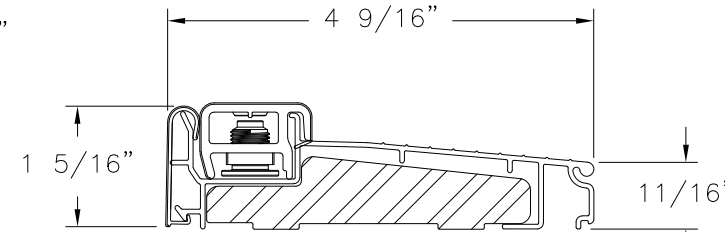
REVISIONS			
REV	DESCRIPTION	DATE	APPROVED
I	ADDED GLAZED FIR TRIMS	08/30/2021	R.L.



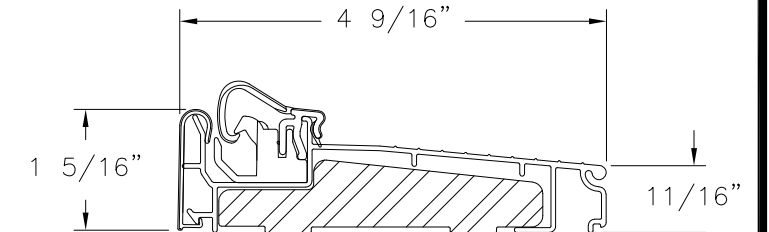
**FRAMESAVER
COMPOSITE**



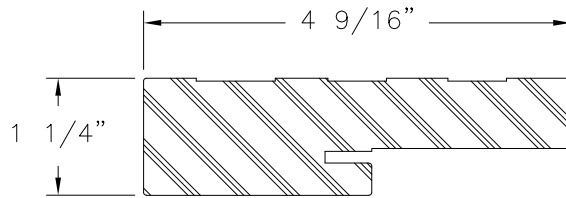
STANDARD INSWING THRESHOLD



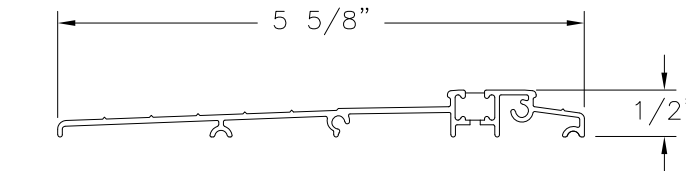
INSWING SILL ZAIL4565



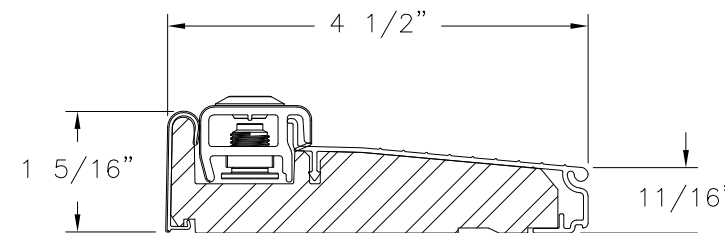
INSWING SILL ZA4L4565



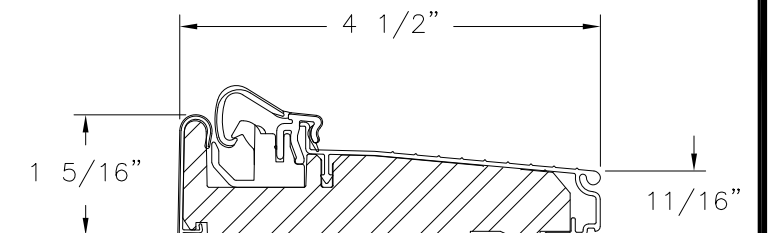
COMPOSITE FRAME PROFILE



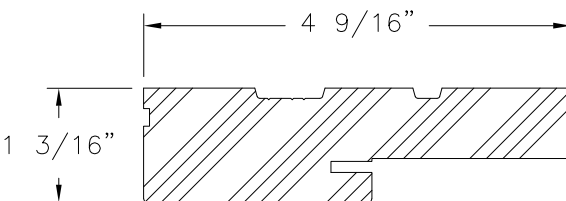
ADA THRESHOLD



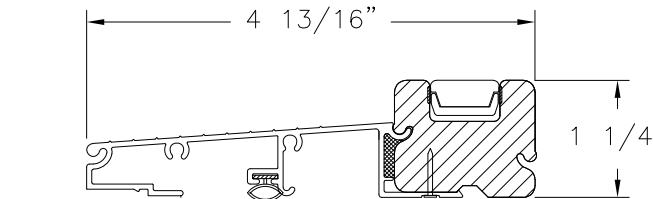
INSWING SILL ZAI4565F



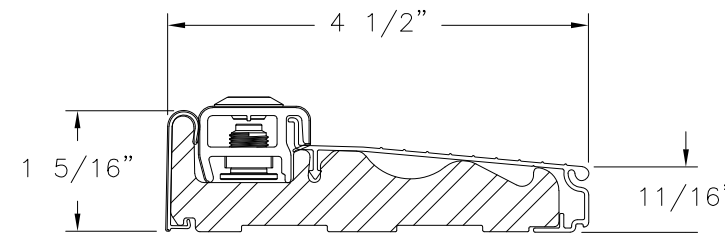
INSWING SILL ZAC4565F



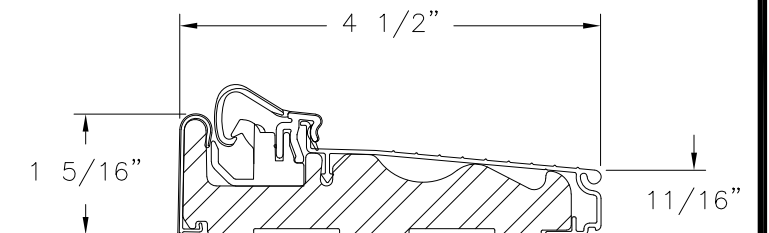
WOOD FRAME PROFILE



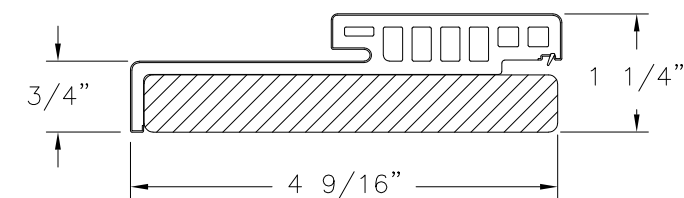
SAHARA INSWING THRESHOLD



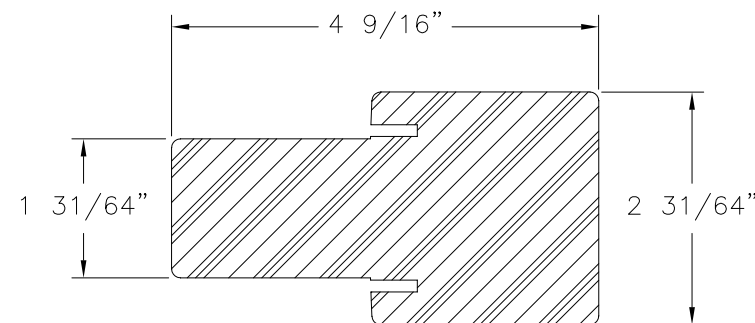
INSWING SILL ZAILH4565



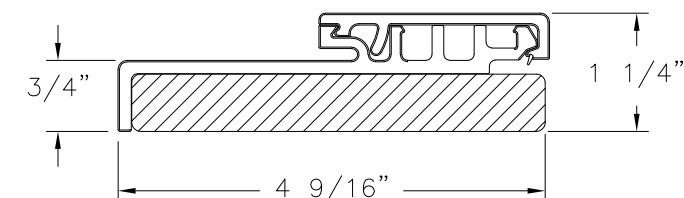
INSWING SILL ZA4LH4565



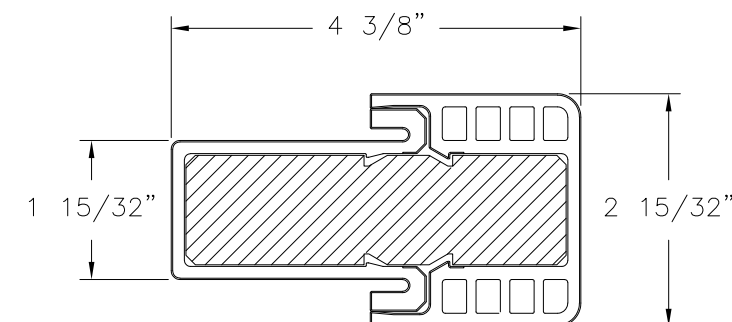
**HYBRID HEAD
WOOD/COMPOSITE**



**FAT BOY MULLION
COMPOSITE**



**HYBRID JAMB
WOOD/COMPOSITE**



**HYBRID FAT BOY MULLION
COMPOSITE**

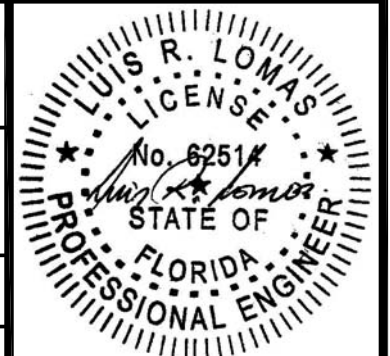
SIGNED: 08/30/2021

PROVIA, LLC.
2150 STATE ROUTE 39 WEST
SUGARCREEK, OH 44681

STEEL/FIBERGLASS INSWING OPAQUE SINGLE DOOR
W/SIDELITES NON-IMPACT
COMPONENTS

DRAWN: J.L.	DWG NO. 08-02082	REV I
SCALE NTS	DATE 06/20/13	SHEET 13 OF 13

L. ROBERTO LOMAS P.E.
1432 WOODFORD RD LEWISVILLE, NC 27023
434-688-0609 rllomas@lrlomaspe.com



Luis R. Lomas P.E.
FL No.: 62514