

| REVISIONS | | | |
|-----------|------------------------|------------|----------|
| REV | DESCRIPTION | DATE | APPROVED |
| I | ADDED GLAZED FIR TRIMS | 08/30/2021 | R.L. |

NOTES:

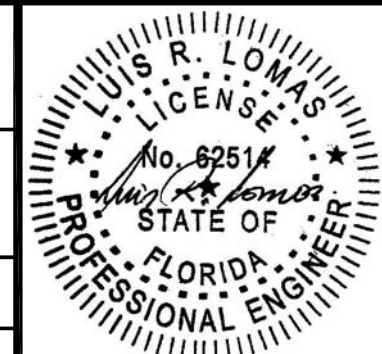
1. THE PRODUCT SHOWN HEREIN IS DESIGNED AND MANUFACTURED TO COMPLY WITH REQUIREMENTS OF THE FLORIDA BUILDING CODE.
2. WOOD FRAMING, METAL STRUCTURE AND MASONRY OPENING TO BE DESIGNED AND ANCHORED TO PROPERLY TRANSFER ALL LOADS TO STRUCTURE. FRAMING AND MASONRY OPENING IS THE RESPONSIBILITY OF THE ARCHITECT OR ENGINEER OF RECORD.
3. 1X BUCK OVER MASONRY/CONCRETE IS OPTIONAL. WHERE 1X BUCK IS NOT USED DISSIMILAR MATERIALS MUST BE SEPARATED WITH APPROVED COATING OR MEMBRANE. SELECTION OF COATING OR MEMBRANE IS THE RESPONSIBILITY OF THE ARCHITECT OR ENGINEER OF RECORD.
4. ALLOWABLE STRESS INCREASE OF 1/3 WAS NOT USED IN THE DESIGN OF THE PRODUCT SHOWN HEREIN. WIND LOAD DURATION FACTOR Cd=1.6 WAS USED FOR WOOD ANCHOR CALCULATIONS.
5. FRAME MATERIAL: WOOD WITH G=.46 MINIMUM SPECIFIC GRAVITY, OR COMPOSITE, OR FRAMESAVER, OR FUSION FRAME.
DOOR SKIN MATERIAL: STEEL .033" THICK (MINIMUM) AND FIBERGLASS .085" THICK(MINIMUM).
SIDELITE SKIN MATERIAL: STEEL .022" THICK (MINIMUM)
6. SIDELITES AND TRANSOM MUST BE GLAZED PER ASTM E1300, WITH SAFETY GLAZING.
7. APPROVED IMPACT PROTECTIVE SYSTEM IS REQUIRED FOR THIS PRODUCT IN WIND BORNE DEBRIS REGIONS.
8. SHIM AS REQUIRED AT EACH INSTALLATION ANCHOR WITH LOAD BEARING SHIM. SHIM WHERE SPACE OF 1/16" OR GREATER OCCURS. MAXIMUM ALLOWABLE SHIM STACK TO BE 1/4".
9. FOR ANCHORING INTO WOOD FRAMING OR 2X BUCK USE #10 WOOD SCREWS WITH SUFFICIENT LENGTH TO ACHIEVE A 1 3/8" MINIMUM EMBEDMENT INTO SUBSTRATE. LOCATE ANCHORS AS SHOWN IN ELEVATIONS AND INSTALLATION DETAILS.
10. FOR ANCHORING INTO MASONRY/CONCRETE USE 3/16" TAPCONS WITH SUFFICIENT LENGTH TO ACHIEVE A 1 3/4" MINIMUM EMBEDMENT INTO SUBSTRATE WITH 2" MINIMUM EDGE DISTANCE. LOCATE ANCHORS AS SHOWN IN ELEVATIONS AND INSTALLATION DETAILS.
11. FOR ANCHORING INTO METAL STRUCTURE USE #10 SMS OR SELF DRILLING SCREWS WITH SUFFICIENT LENGTH TO ACHIEVE 3 THREADS MINIMUM BEYOND STRUCTURE INTERIOR WALL. LOCATE ANCHORS AS SHOWN IN ELEVATIONS AND INSTALLATION DETAILS.

12. ALL FASTENERS TO BE CORROSION RESISTANT.
13. INSTALLATION ANCHORS SHALL BE INSTALLED IN ACCORDANCE WITH ANCHOR MANUFACTURER'S INSTALLATION INSTRUCTIONS AND ANCHORS SHALL NOT BE USED IN SUBSTRATES WITH STRENGTHS LESS THAN THE MINIMUM STRENGTH SPECIFIED BELOW:
 - A. WOOD – MINIMUM SPECIFIC GRAVITY OF G=0.42
 - B. CONCRETE – MINIMUM COMPRESSIVE STRENGTH OF 3,192 PSI.
 - C. MASONRY – GROUT FILLED STRENGTH CONFORMANCE TO ASTM C-90, GRADE N, TYPE 1 (OR GREATER).
 - D. METAL STRUCTURE: STEEL 18GA, 33KSI OR ALUMINUM 6063-T5 .048" THICK MINIMUM
14. DOOR CONSTRUCTION MAYBE CONTINUOUS HEAD FRAME AND CONTINUOUS THRESHOLD OR BOX CONSTRUCTION.

| TABLE OF CONTENTS | |
|-------------------|--|
| SHEET NO. | DESCRIPTION |
| 1 | NOTES |
| 2 – 3 | ELEVATIONS |
| 4 | ANCHORING LAYOUTS |
| 5 – 10 | INSTALLATION DETAILS |
| 11 – 14 | APPROVED SLABS, MULLION DETAILS AND COMPONENTS |

| | | |
|---|---------------------|------------------|
| PROVIA, LLC. 2150 STATE ROUTE 39 WEST SUGARCREEK, OH 44681 | | |
| STEEL/FIBERGLASS INSWING OPAQUE SINGLE DOOR W/SIDELITES & TRANSOM NON-IMPACT NOTES | | |
| DRAWN: N.G. | DWG NO. 08-02084 | REV I |
| SCALE NTS | DATE 06/20/13 | SHEET 1 OF 14 |
| L. ROBERTO LOMAS P.E. 1432 WOODFORD RD LEWISVILLE, NC 27023 434-688-0609 rllomas@rlomaspe.com | | |

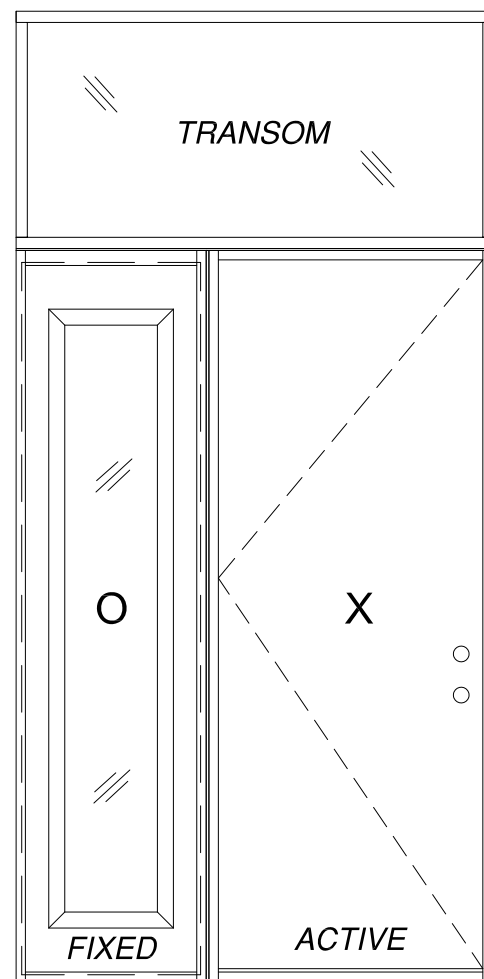
SIGNED: 08/30/2021



Luis R. Lomas P.E.
FL No.: 62514

| REVISIONS | | | |
|-----------|------------------------|------------|----------|
| REV | DESCRIPTION | DATE | APPROVED |
| I | ADDED GLAZED FIR TRIMS | 08/30/2021 | R.L. |

69 15/16" FRAME WIDTH
SEE NOTE 1 THIS SHEET



31 11/16"
FRAME HEIGHT

1/2" MULLION MINIMUM
SEE NOTE 3 THIS SHEET & DETAIL B SHEET 13

97 19/32"
FRAME HEIGHT

25 3/8"
FRAME WIDTH

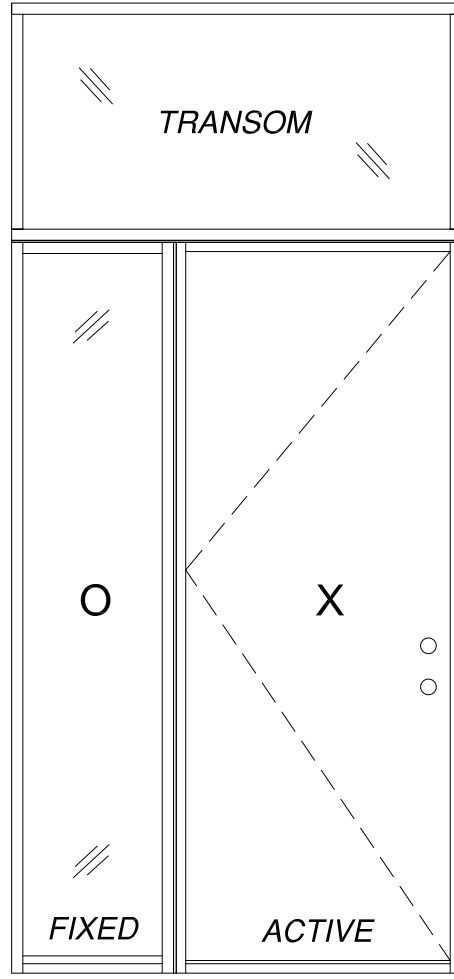
37 9/16"
FRAME WIDTH

3/8" MULLION MINIMUM
SEE NOTES 1 AND 2 THIS SHEET & DETAIL A & C SHEET 13

SINGLE W/ STD SIDELITE AND TRANSOM

EXTERIOR VIEW
OX SHOWN XO ALSO APPROVED

66 3/16" FRAME WIDTH
SEE NOTE 1 THIS SHEET



31 11/16"
FRAME HEIGHT

1/2" MULLION MINIMUM
SEE NOTE 3 THIS SHEET & DETAIL B SHEET 13

97 19/32"
FRAME HEIGHT

21 5/8"
FRAME WIDTH

37 9/16"
FRAME WIDTH

3/8" MULLION MINIMUM
SEE NOTES 1 AND 2 THIS SHEET & DETAIL A & C SHEET 13

SINGLE W/ DIRECT SET SIDELITE AND TRANSOM

EXTERIOR VIEW
OX SHOWN XO ALSO APPROVED

| DESIGN PRESSURE RATING | IMPACT RATING |
|--|---------------|
| ±55.0PSF | NONE |
| THIS SYSTEM WAS NOT TESTED FOR WATER INFILTRATION AND IS TO BE INSTALLED ONLY WHERE WATER RESISTANCE IS NOT REQUIRED | |

35 3/4" x 94 15/16" PANEL SIZE SHOWN. OTHER SIZES ARE APPROVED AS LONG AS INDIVIDUAL PANEL AREA DOES NOT EXCEED 23.56 FT²

D.L.O. NOTES:

1. STD. SIDELITE D.L.O.: 12 3/8" X 78 3/8"
2. DIRECT SET SIDELITE D.L.O.: 18 5/8" X 93 3/4"
3. TRANSOM D.L.O. WIDTH: 91 5/16"
4. TRANSOM D.L.O. HEIGHT: 28 11/16"

NOTES:

1. MAXIMUM ALLOWED BUILDUP TO BE 7".
2. IF SIDELITE WIDTH IS 16" OR LESS NO VERTICAL MULLION IS REQUIRED.
3. IF TRANSOM HEIGHT IS 16" OR LESS NO HORIZONTAL MULLION IS REQUIRED.

SIGNED: 08/30/2021

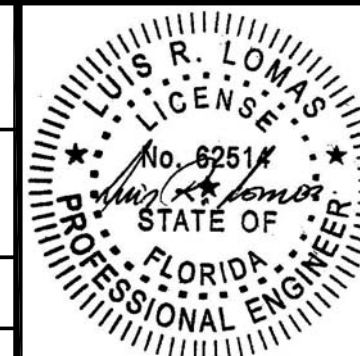
PROVIA, LLC.

2150 STATE ROUTE 39 WEST
SUGARCREEK, OH 44681

STEEL/FIBERGLASS INSWING OPAQUE SINGLE DOOR
W/SIDELITES & TRANSOM NON-IMPACT
ELEVATIONS

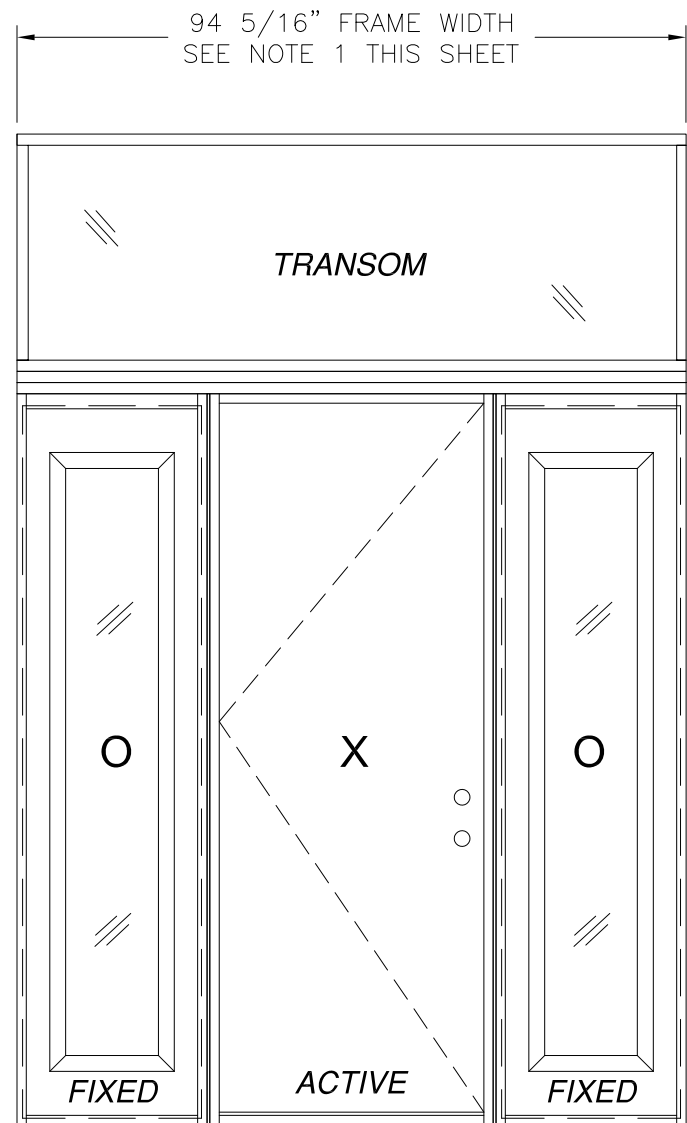
| | | |
|----------------|---------------------|------------------|
| DRAWN: N.G. | DWG NO. 08-02084 | REV I |
| SCALE NTS | DATE 06/20/13 | SHEET 2 OF 14 |

L. ROBERTO LOMAS P.E.
1432 WOODFORD RD LEWISVILLE, NC 27023
434-688-0609 rllomas@rlomaspe.com



Luis R. Lomas P.E.
FL No.: 62514

| REVISIONS | | | |
|-----------|------------------------|------------|----------|
| REV | DESCRIPTION | DATE | APPROVED |
| I | ADDED GLAZED FIR TRIMS | 08/30/2021 | R.L. |

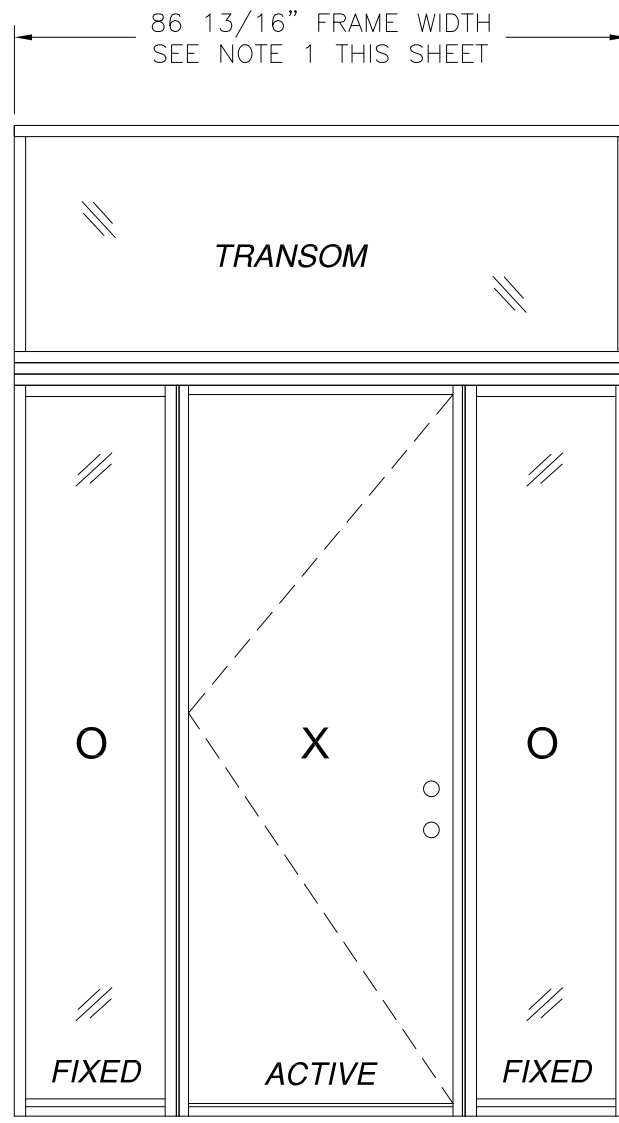


3/8" MULLION MINIMUM SEE NOTES 1 AND 2 THIS SHEET & DETAIL A & C SHEET 13

SINGLE W/ STD SIDELITES AND TRANSOM
EXTERIOR VIEW

| DESIGN PRESSURE RATING | IMPACT RATING |
|---|---------------|
| ±55.0PSF | NONE |
| <small>THIS SYSTEM WAS NOT TESTED FOR WATER INFILTRATION AND IS TO BE INSTALLED ONLY WHERE WATER RESISTANCE IS NOT REQUIRED</small> | |

35 3/4" x 94 15/16" PANEL SIZE SHOWN. OTHER SIZES ARE APPROVED AS LONG AS INDIVIDUAL PANEL AREA DOES NOT EXCEED 23.56 FT²



3/8" MULLION MINIMUM SEE NOTES 1 AND 2 THIS SHEET & DETAIL A & C SHEET 13

SINGLE W/ DIRECT SET SIDELITES AND TRANSOM
EXTERIOR VIEW

1 3/4" MULLION MINIMUM SEE DETAIL C SHEET 13

- NOTES:
1. MAXIMUM ALLOWED BUILDUP TO BE 3" AT EACH VERTICAL MULLION.
 2. IF SIDELITE WIDTH IS 16" OR LESS NO VERTICAL MULLION IS REQUIRED

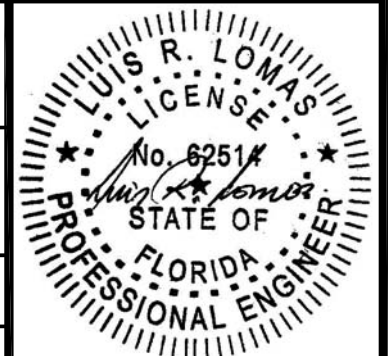
SIGNED: 08/30/2021

PROVIA, LLC.
2150 STATE ROUTE 39 WEST
SUGARCREEK, OH 44681

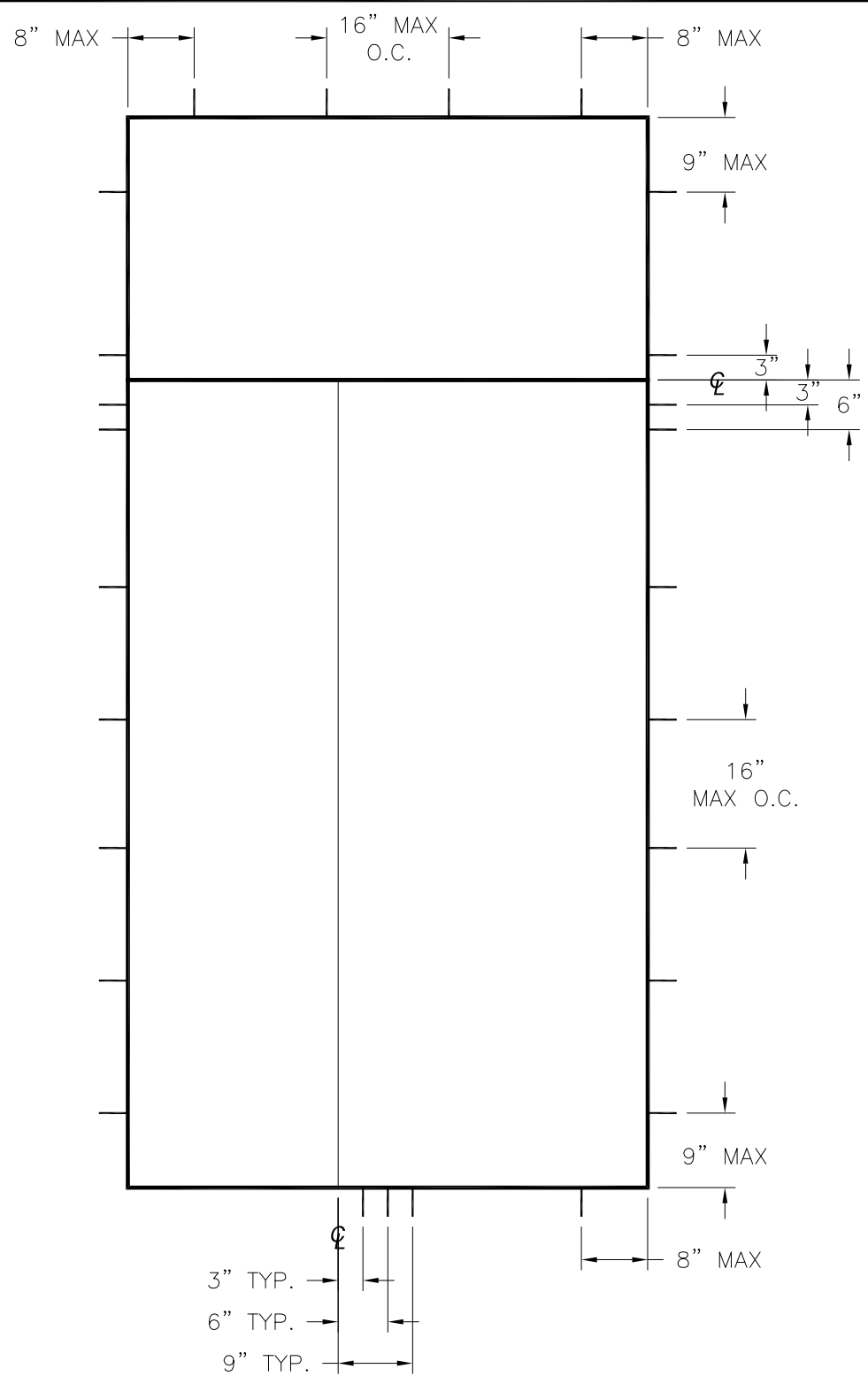
STEEL/FIBERGLASS INSWING OPAQUE SINGLE DOOR
W/SIDELITES & TRANSOM NON-IMPACT
ELEVATIONS

| | | |
|----------------|---------------------|------------------|
| DRAWN: N.G. | DWG NO. 08-02084 | REV I |
| SCALE NTS | DATE 06/20/13 | SHEET 3 OF 14 |

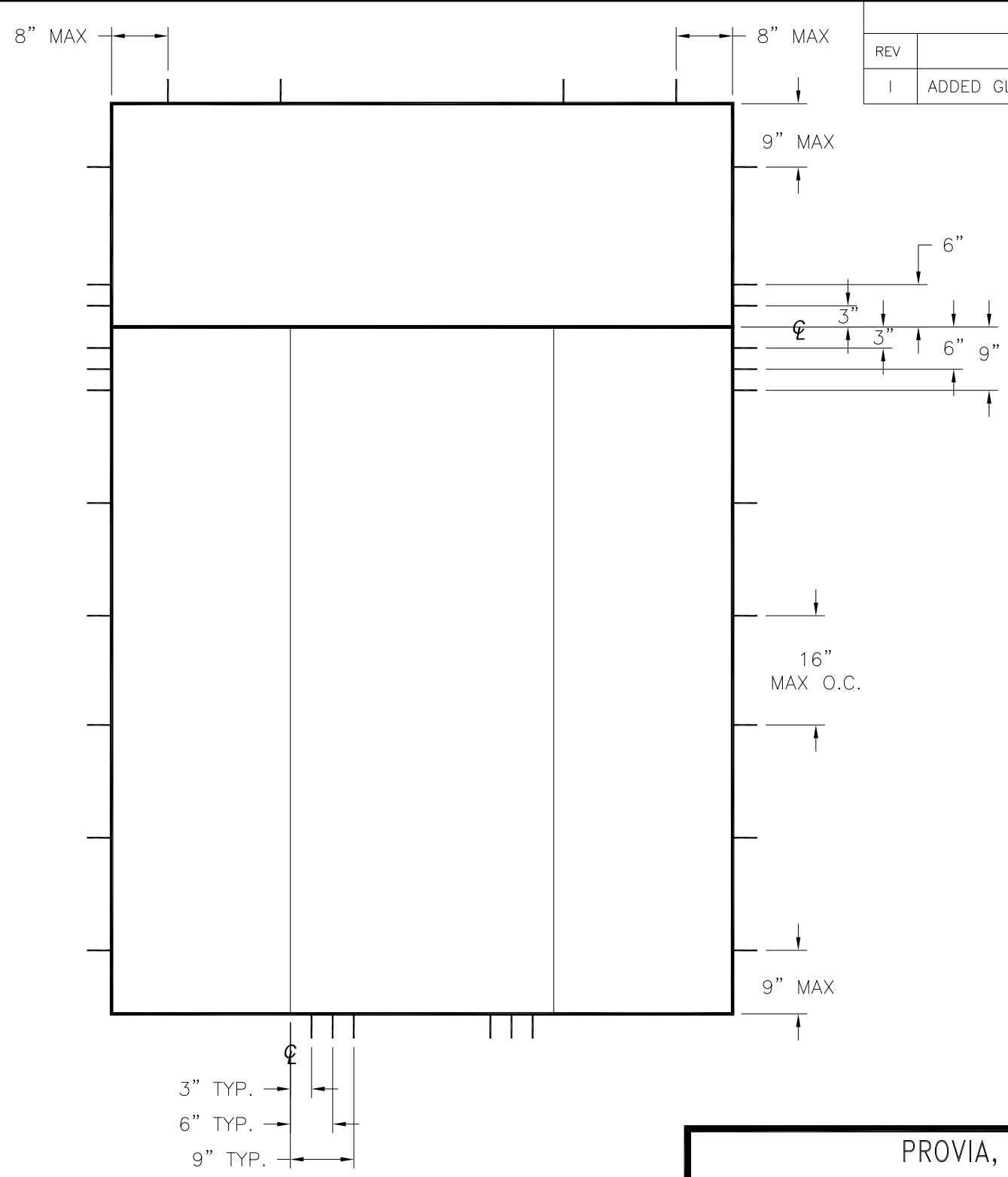
L. ROBERTO LOMAS P.E.
1432 WOODFORD RD LEWISVILLE, NC 27023
434-688-0609 rllomas@rlomaspe.com



Luis R. Lomas P.E.
FL No.: 62514



SINGLE W/SIDELITE AND TRANSOM



SINGLE W/SIDELITES & TRANSOM

| REVISIONS | | | |
|-----------|------------------------|------------|----------|
| REV | DESCRIPTION | DATE | APPROVED |
| I | ADDED GLAZED FIR TRIMS | 08/30/2021 | R.L. |

| HARDWARE SCHEDULE | |
|-------------------|--|
| A. | F-SERIES LOCK ASSEMBLY DOOR KNOB BY SCHLAGE. |
| B. | B-SERIES DEADBOLT ASSEMBLY BY SCHLAGE. |
| C. | F-SERIES DEADBOLT ASSEMBLY BY SCHLAGE. |
| D. | RESIDENTIAL GRADE DOOR HANDLE ASSEMBLY BY EMTEK (ALTERNATE). |
| E. | MULTI-POINT LOCK HANDLE ASSEMBLY BY TRILENNIUM (ALTERNATE). |
| F. | (3) 4" x 4" BALL BEARING HINGES BY PENROD. |
| G. | (3) 4" x 4" SPRING BOMMER HINGES BY PENROD. (ALTERNATE) |

PROVIA, LLC.
 2150 STATE ROUTE 39 WEST
 SUGARCREEK, OH 44681

STEEL/FIBERGLASS INSWING OPAQUE SINGLE DOOR
 W/SIDELITES & TRANSOM NON-IMPACT
 ANCHORING LAYOUTS

| | | |
|----------------|---------------------|------------------|
| DRAWN: N.G. | DWG NO. 08-02084 | REV I |
| SCALE NTS | DATE 06/20/13 | SHEET 4 OF 14 |

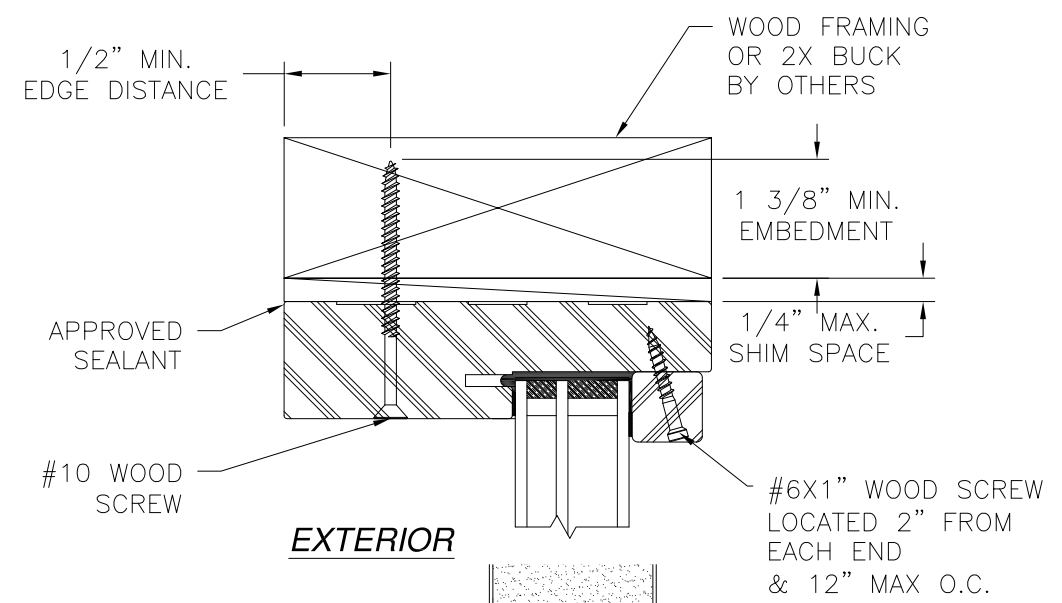
L. ROBERTO LOMAS P.E.
 1432 WOODFORD RD LEWISVILLE, NC 27023
 434-688-0609 rllomas@rlomaspe.com

SIGNED: 08/30/2021



Luis R. Lomas P.E.
 FL No.: 62514

| REVISIONS | | | |
|-----------|------------------------|------------|----------|
| REV | DESCRIPTION | DATE | APPROVED |
| I | ADDED GLAZED FIR TRIMS | 08/30/2021 | R.L. |

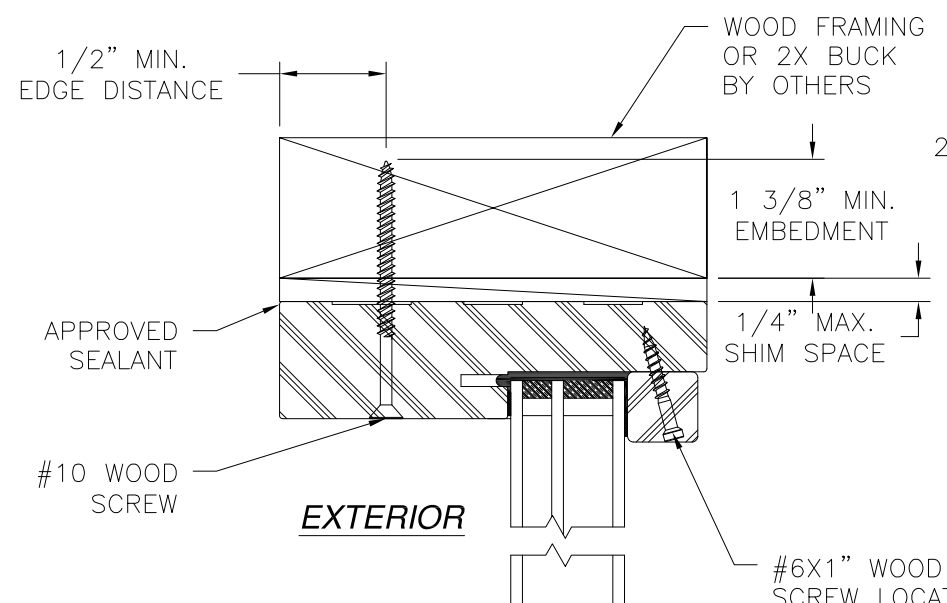


EXTERIOR

INTERIOR

VERTICAL CROSS SECTION

DOOR AND TRANSOM INSTALLATION - 2X BUCK/WOOD FRAMING
TRANSOM HEAD SHOWN
TRANSOM JAMB SIMILAR

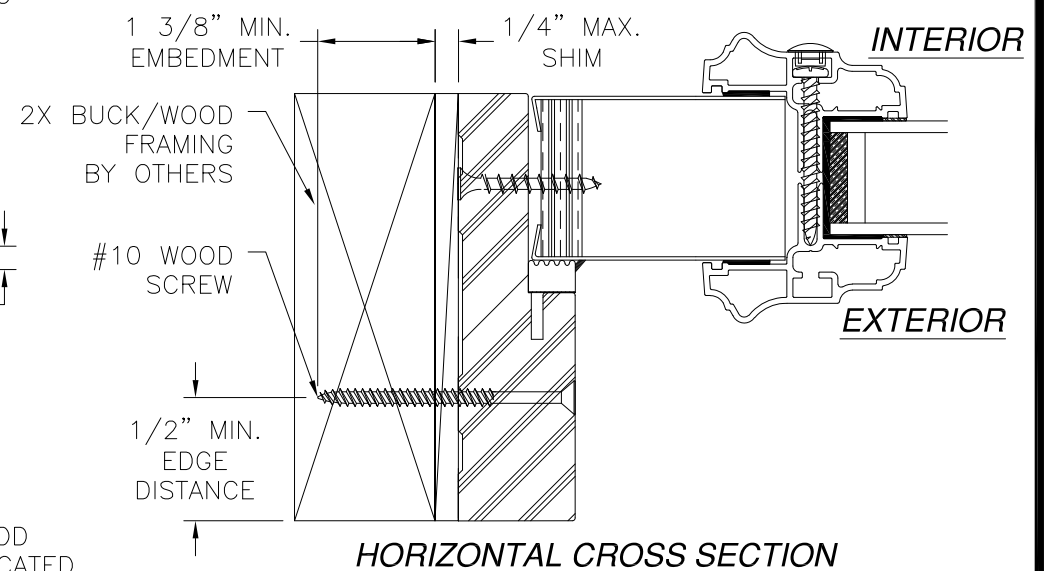


EXTERIOR

INTERIOR

VERTICAL CROSS SECTION

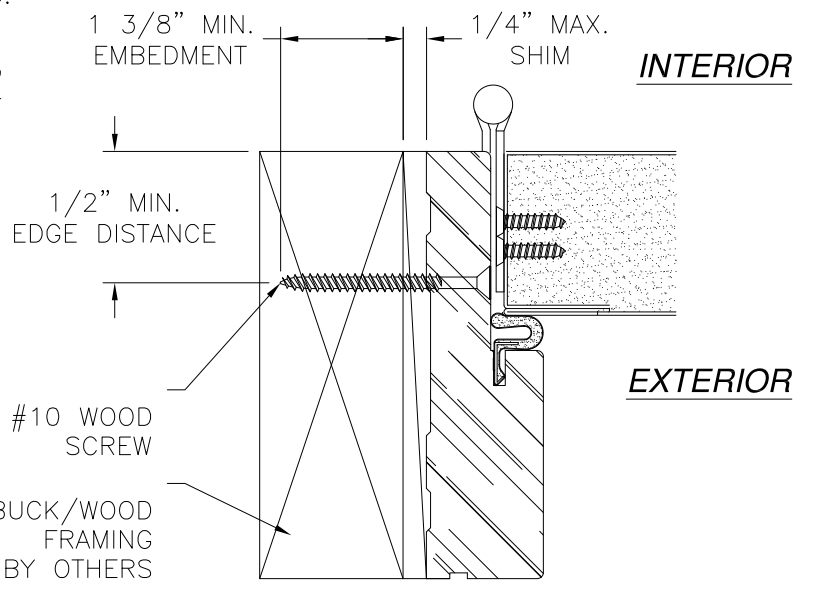
SIDELITE AND TRANSOM INSTALLATION 2X BUCK/WOOD FRAMING
STANDARD SIDELITE SHOWN
DIRECT SET SIDELITE SIMILAR
TRANSOM HEAD SHOWN
TRANSOM JAMB SIMILAR



INTERIOR

EXTERIOR

HORIZONTAL CROSS SECTION
SIDELITE INSTALLATION 2X BUCK/WOOD FRAMING
STANDARD SIDELITE SHOWN
DIRECT SET SIDELITE SIMILAR



INTERIOR

EXTERIOR

HORIZONTAL CROSS SECTION

DOOR INSTALLATION - 2X BUCK/WOOD FRAMING SIGNED: 08/30/2021

- NOTES:
1. INTERIOR AND EXTERIOR FINISHES, BY OTHERS, NOT SHOWN FOR CLARITY.
 2. PERIMETER AND JOINT SEALANT BY OTHERS TO BE DESIGNED IN ACCORDANCE WITH ASTM E2112

PROVIA, LLC.
2150 STATE ROUTE 39 WEST
SUGARCREEK, OH 44681

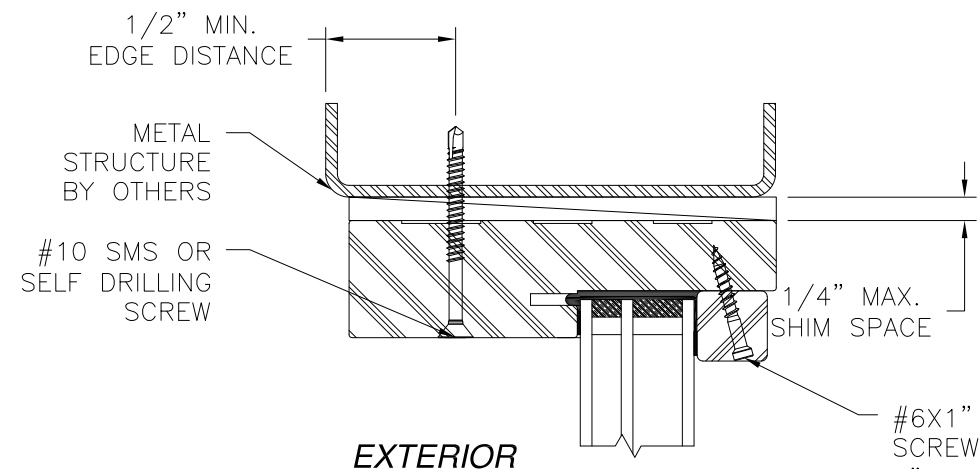
STEEL/FIBERGLASS INSWING OPAQUE SINGLE DOOR
W/SIDELITES & TRANSOM NON-IMPACT
INSTALLATION DETAILS

| | | |
|----------------|---------------------|------------------|
| DRAWN: N.G. | DWG NO. 08-02084 | REV I |
| SCALE NTS | DATE 06/20/13 | SHEET 5 OF 14 |

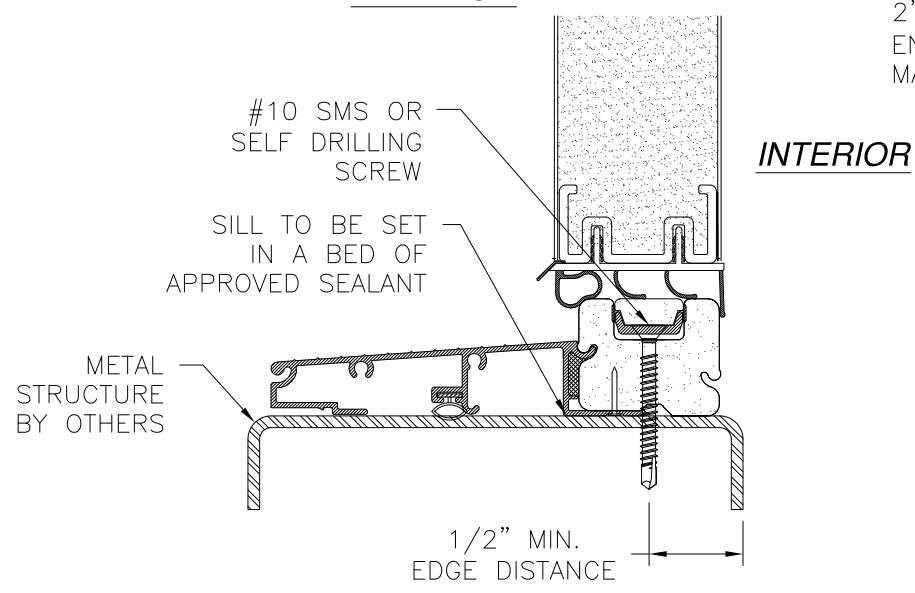
L. ROBERTO LOMAS P.E.
1432 WOODFORD RD LEWISVILLE, NC 27023
434-688-0609 rllomas@rlomaspe.com

Luis R. Lomas P.E.
FL No.: 62514

| REVISIONS | | | |
|-----------|------------------------|------------|----------|
| REV | DESCRIPTION | DATE | APPROVED |
| I | ADDED GLAZED FIR TRIMS | 08/30/2021 | R.L. |

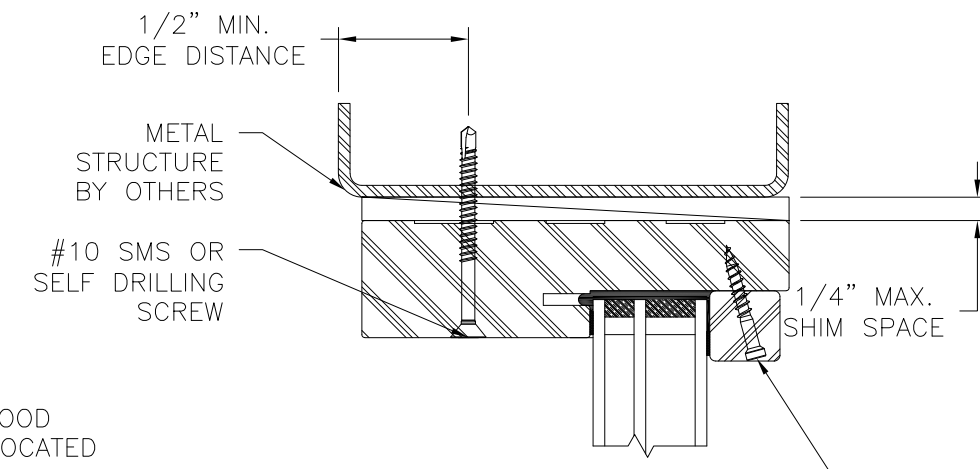


EXTERIOR

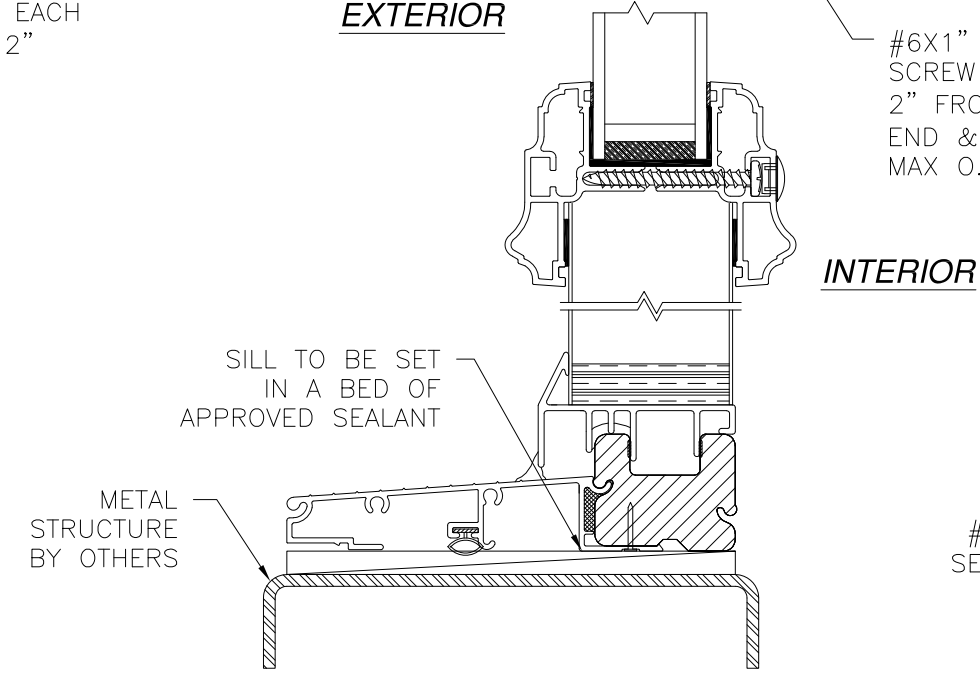


INTERIOR

VERTICAL CROSS SECTION
DOOR AND TRANSOM INSTALLATION METAL STRUCTURE
 TRANSOM HEAD SHOWN
 TRANSOM JAMB SIMILAR

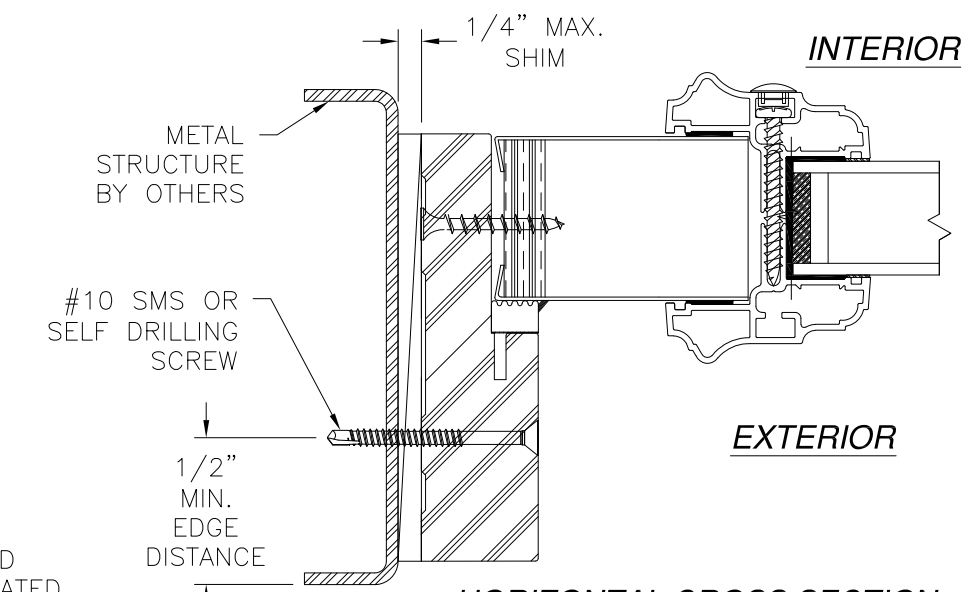


EXTERIOR



INTERIOR

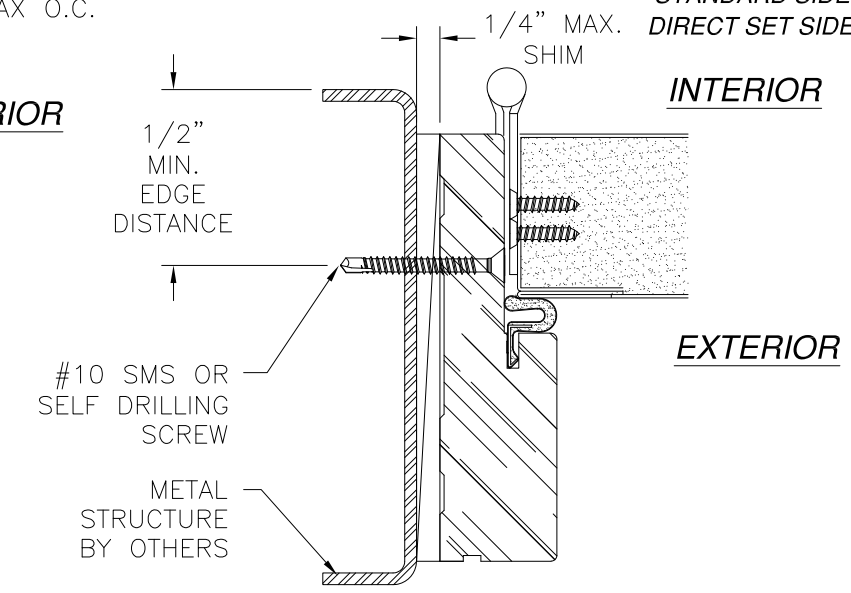
VERTICAL CROSS SECTION
SIDELITE AND TRANSOM INSTALLATION METAL STRUCTURE
 STANDARD SIDELITE SHOWN
 DIRECT SET SIDELITE SIMILAR
 TRANSOM HEAD SHOWN
 TRANSOM JAMB SIMILAR



INTERIOR

EXTERIOR

HORIZONTAL CROSS SECTION
SIDELITE INSTALLATION METAL STRUCTURE
 STANDARD SIDELITE SHOWN
 DIRECT SET SIDELITE SIMILAR



INTERIOR

EXTERIOR

HORIZONTAL CROSS SECTION
DOOR INSTALLATION METAL STRUCTURE

SIGNED: 08/30/2021

- NOTES:**
1. INTERIOR AND EXTERIOR FINISHES, BY OTHERS, NOT SHOWN FOR CLARITY.
 2. PERIMETER AND JOINT SEALANT BY OTHERS TO BE DESIGNED IN ACCORDANCE WITH ASTM E2112

PROVIA, LLC.
 2150 STATE ROUTE 39 WEST
 SUGARCREEK, OH 44681

STEEL/FIBERGLASS INSWING OPAQUE SINGLE DOOR
 W/SIDELITES & TRANSOM NON-IMPACT
 INSTALLATION DETAILS

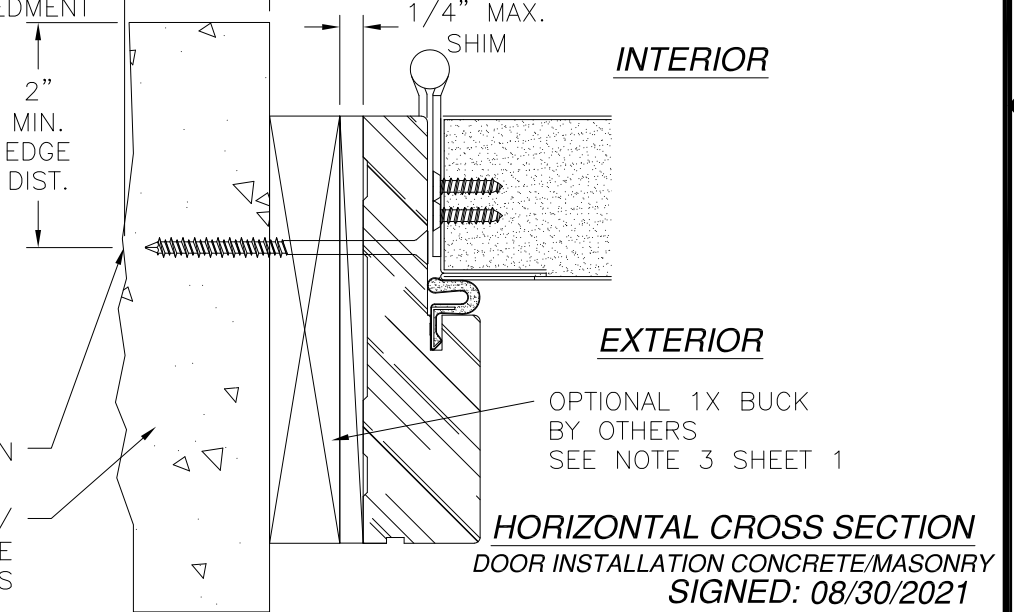
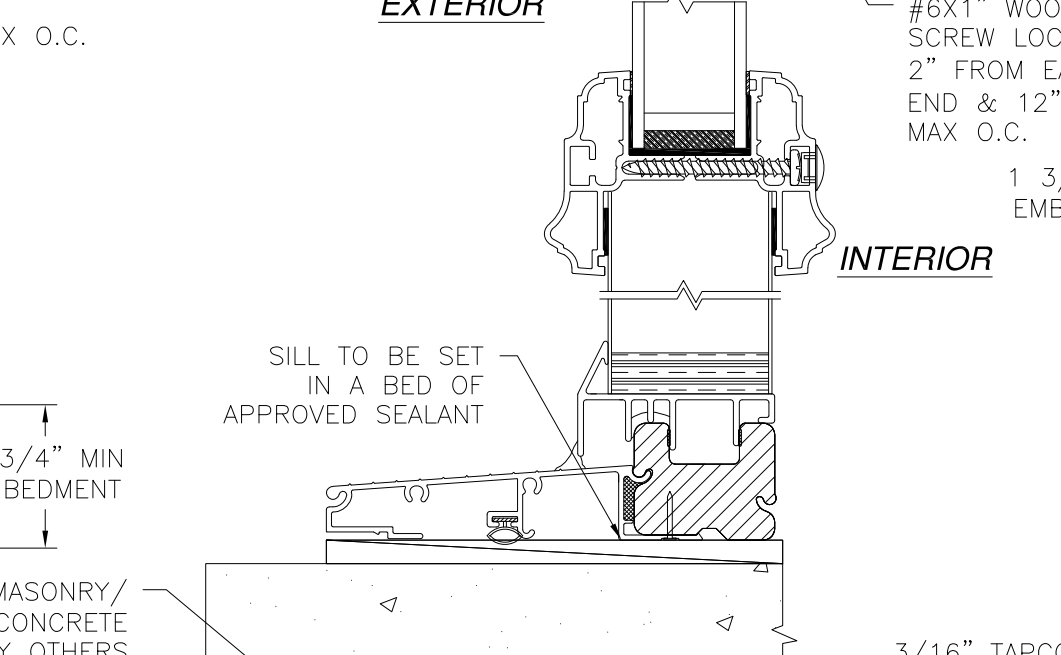
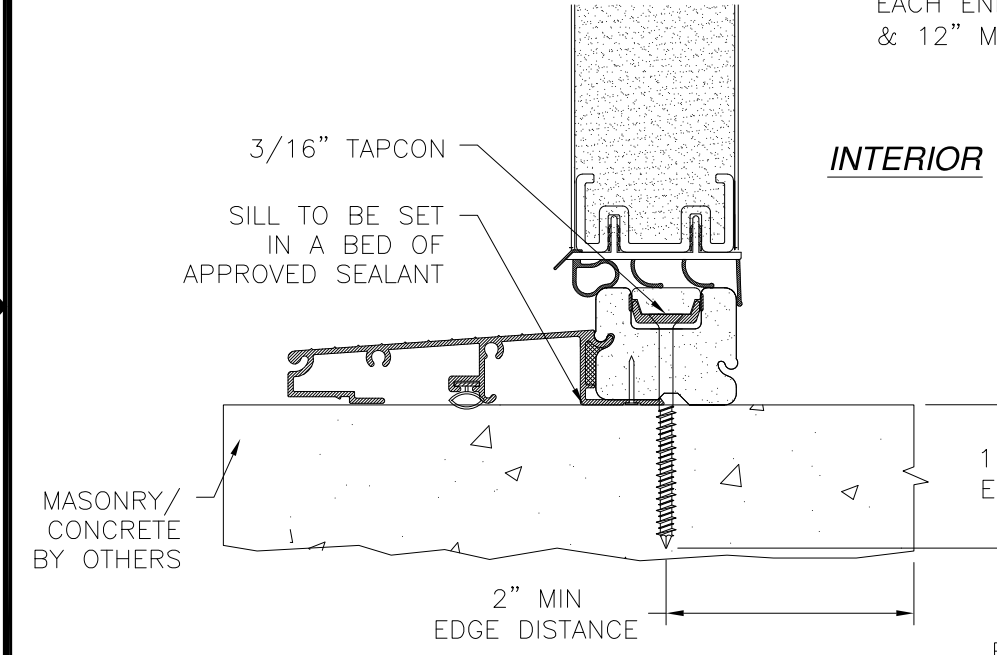
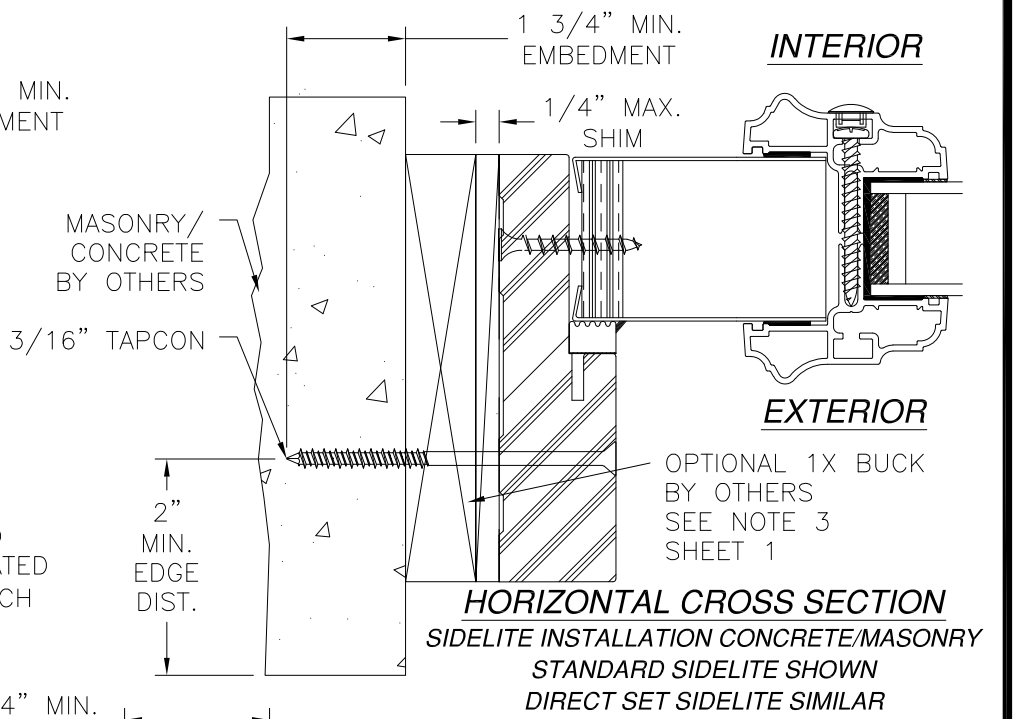
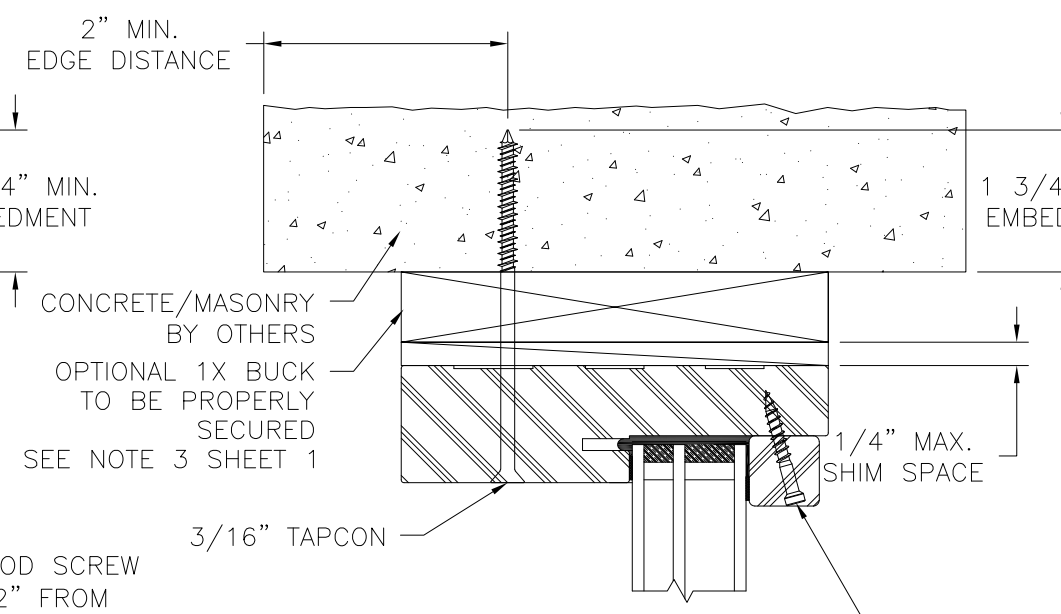
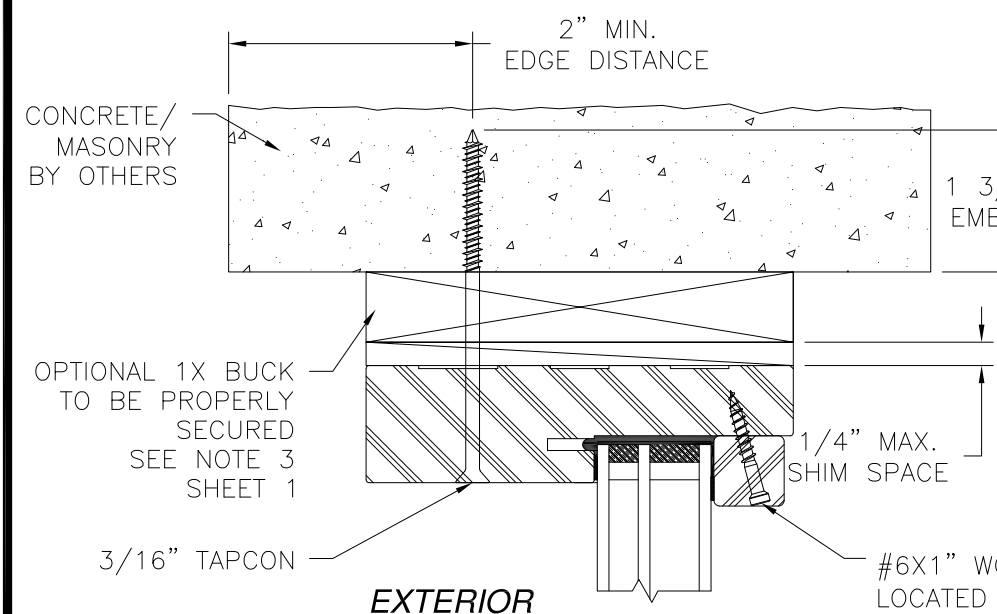
| | | |
|----------------|---------------------|------------------|
| DRAWN: N.G. | DWG NO. 08-02084 | REV I |
| SCALE NTS | DATE 06/20/13 | SHEET 6 OF 14 |

L. ROBERTO LOMAS P.E.
 1432 WOODFORD RD LEWISVILLE, NC 27023
 434-688-0609 rllomas@rlomaspe.com

L. ROBERTO LOMAS P.E.
 No. 62514
 STATE OF FLORIDA
 PROFESSIONAL ENGINEER

Luis R. Lomas P.E.
 FL No.: 62514

| REVISIONS | | | |
|-----------|------------------------|------------|----------|
| REV | DESCRIPTION | DATE | APPROVED |
| I | ADDED GLAZED FIR TRIMS | 08/30/2021 | R.L. |



- NOTES:
1. INTERIOR AND EXTERIOR FINISHES, BY OTHERS, NOT SHOWN FOR CLARITY.
 2. PERIMETER AND JOINT SEALANT BY OTHERS TO BE DESIGNED IN ACCORDANCE WITH ASTM E2112

PROVIA, LLC.
2150 STATE ROUTE 39 WEST
SUGARCREEK, OH 44681

STEEL/FIBERGLASS INSWING OPAQUE SINGLE DOOR
W/SIDELITES & TRANSOM NON-IMPACT
INSTALLATION DETAILS

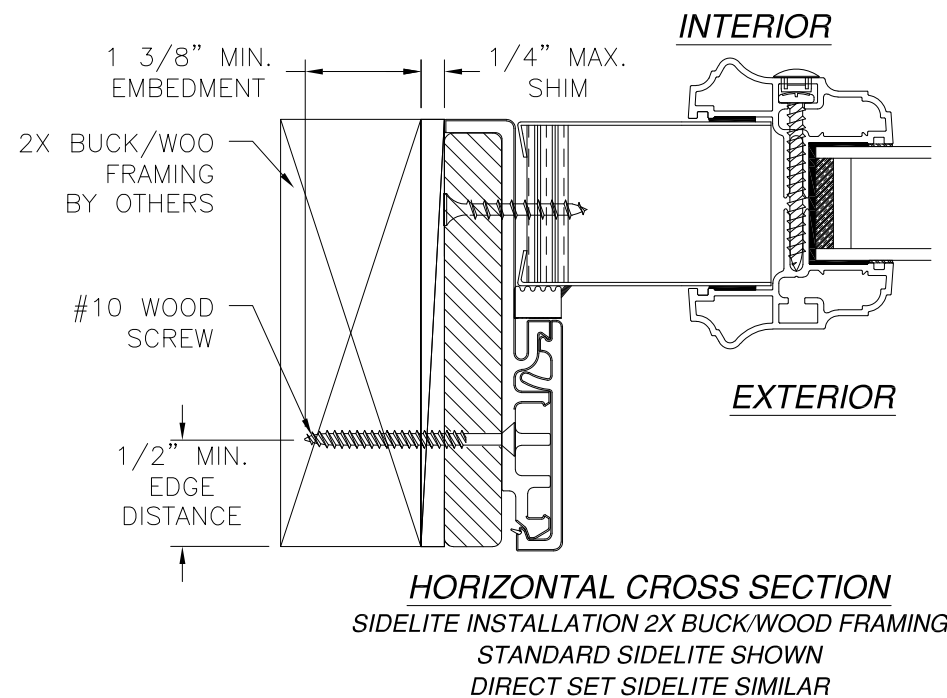
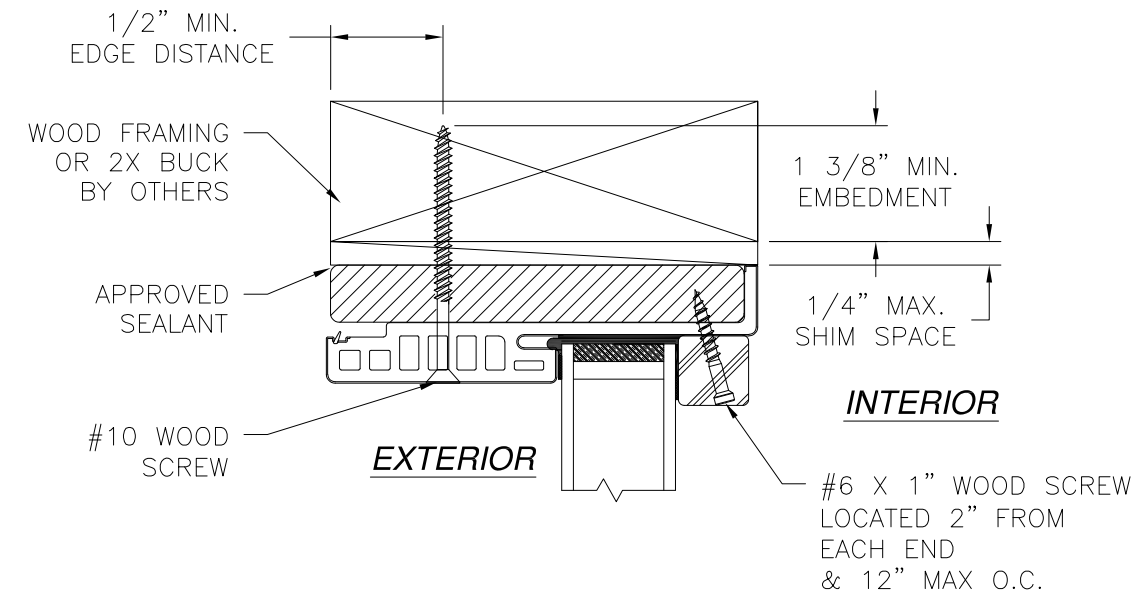
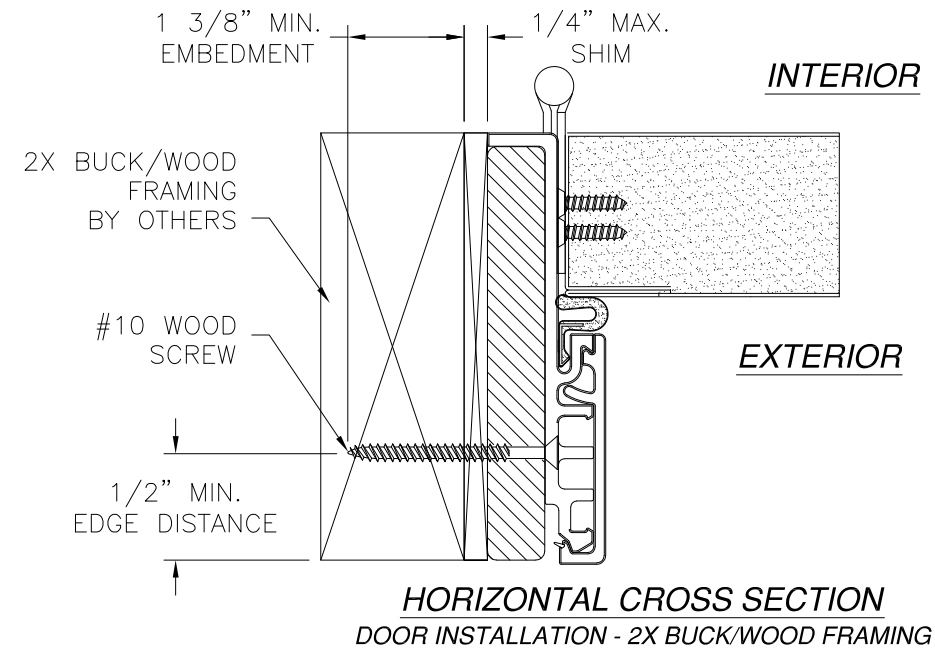
| | | |
|----------------|---------------------|------------------|
| DRAWN: N.G. | DWG NO. 08-02084 | REV I |
| SCALE NTS | DATE 06/20/13 | SHEET 7 OF 14 |

L. ROBERTO LOMAS P.E.
1432 WOODFORD RD LEWISVILLE, NC 27023
434-688-0609 rllomas@rlomaspe.com

LUIS R. LOMAS
LICENSED PROFESSIONAL ENGINEER
No. 62514
STATE OF FLORIDA

Luis R. Lomas P.E.
FL No.: 62514

| REVISIONS | | | |
|-----------|------------------------|------------|----------|
| REV | DESCRIPTION | DATE | APPROVED |
| I | ADDED GLAZED FIR TRIMS | 08/30/2021 | R.L. |

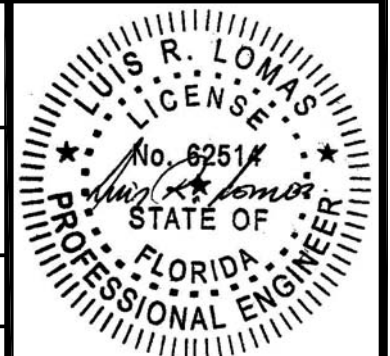


NOTES:

1. INTERIOR AND EXTERIOR FINISHES, BY OTHERS, NOT SHOWN FOR CLARITY.
2. PERIMETER AND JOINT SEALANT BY OTHERS TO BE DESIGNED IN ACCORDANCE WITH ASTM E2112

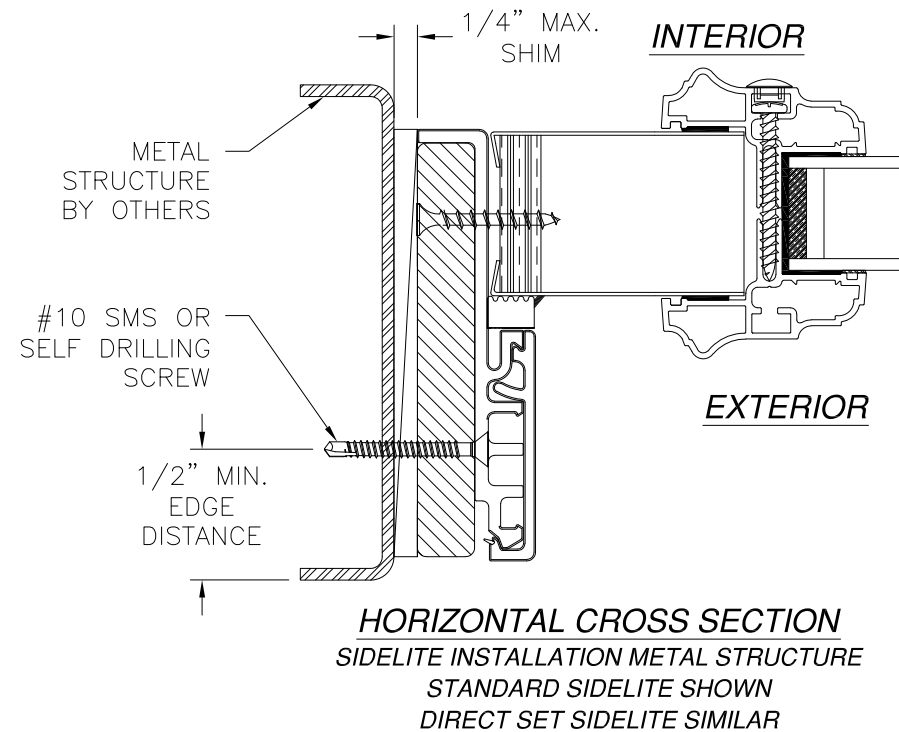
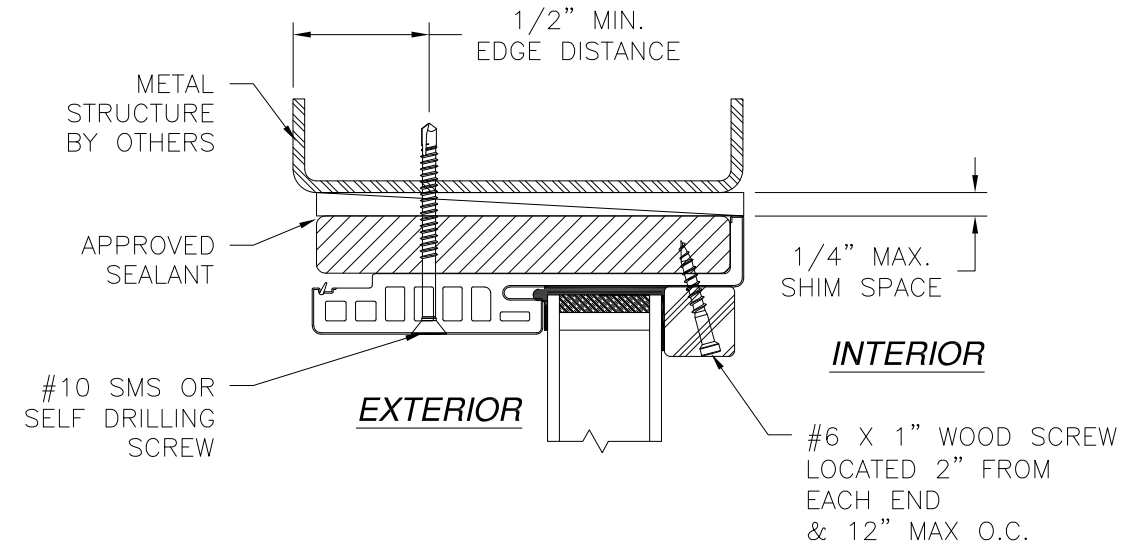
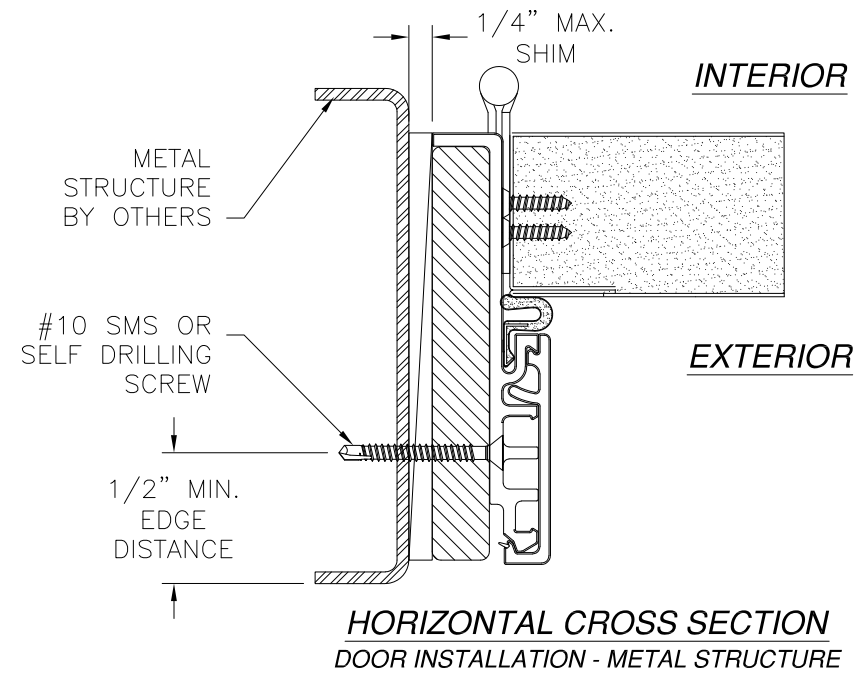
SIGNED: 08/30/2021

| | | |
|--|---------------------|------------------|
| PROVIA, LLC. 2150 STATE ROUTE 39 WEST SUGARCREEK, OH 44681 | | |
| STEEL/FIBERGLASS INSWING OPAQUE SINGLE DOOR W/SIDELITES & TRANSOM NON-IMPACT INSTALLATION DETAILS W/FUSION FRAME | | |
| DRAWN: N.G. | DWG NO. 08-02084 | REV I |
| SCALE NTS | DATE 06/20/13 | SHEET 8 OF 14 |
| L. ROBERTO LOMAS P.E. 1432 WOODFORD RD LEWISVILLE, NC 27023 434-688-0609 rllomas@lrlomaspe.com | | |



Luis R. Lomas P.E.
FL No.: 62514

| REVISIONS | | | |
|-----------|------------------------|------------|----------|
| REV | DESCRIPTION | DATE | APPROVED |
| I | ADDED GLAZED FIR TRIMS | 08/30/2021 | R.L. |



- NOTES:**
1. INTERIOR AND EXTERIOR FINISHES, BY OTHERS, NOT SHOWN FOR CLARITY.
 2. PERIMETER AND JOINT SEALANT BY OTHERS TO BE DESIGNED IN ACCORDANCE WITH ASTM E2112

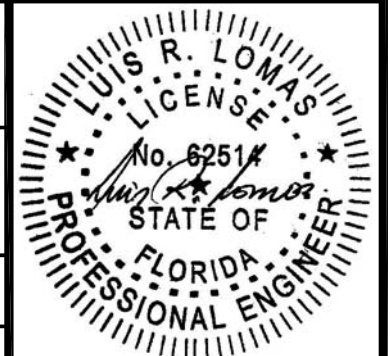
SIGNED: 08/30/2021

PROVIA, LLC.
2150 STATE ROUTE 39 WEST
SUGARCREEK, OH 44681

STEEL/FIBERGLASS INSWING OPAQUE SINGLE DOOR
W/SIDELITES & TRANSOM NON-IMPACT
INSTALLATION DETAILS W/FUSION FRAME

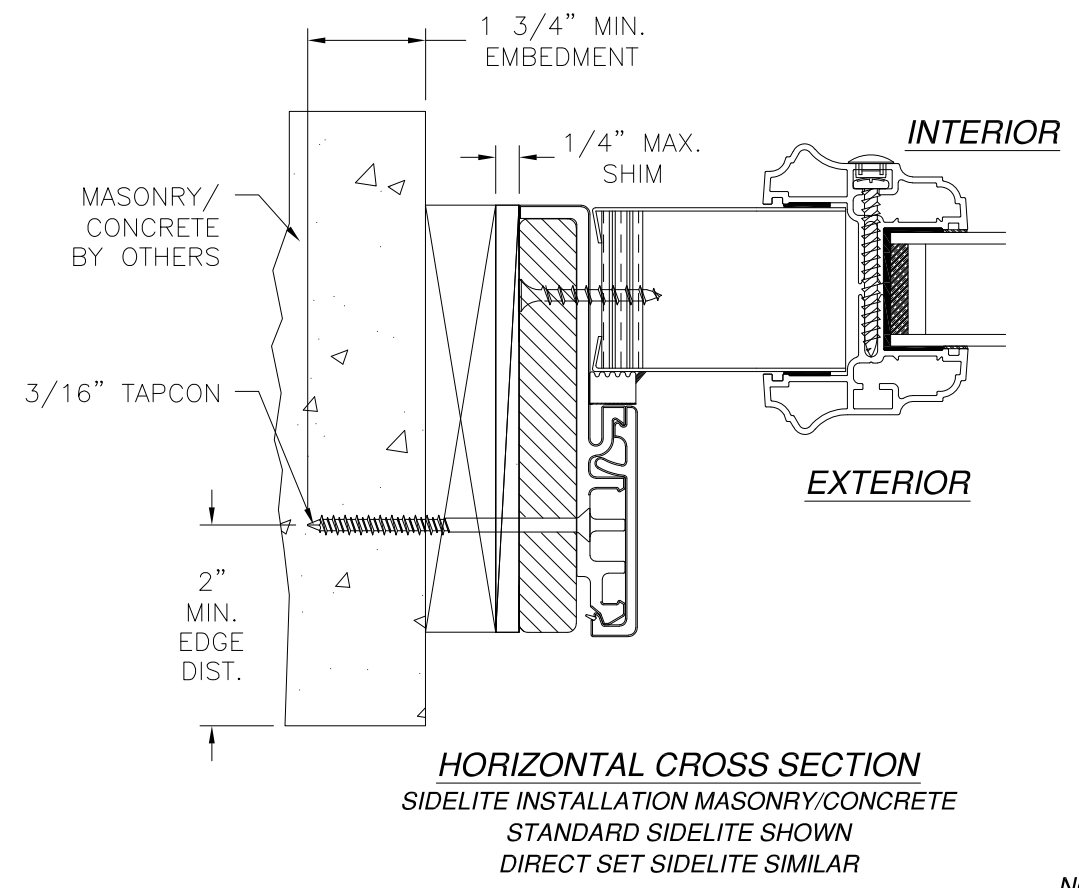
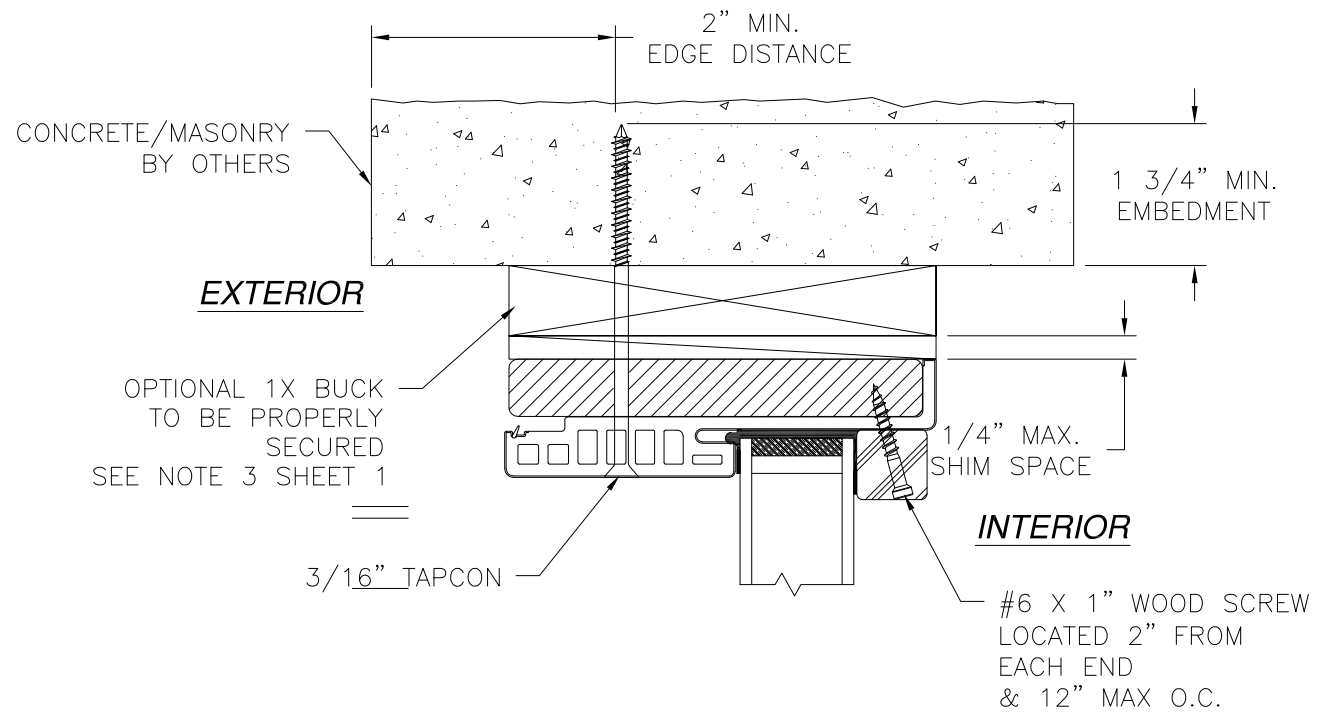
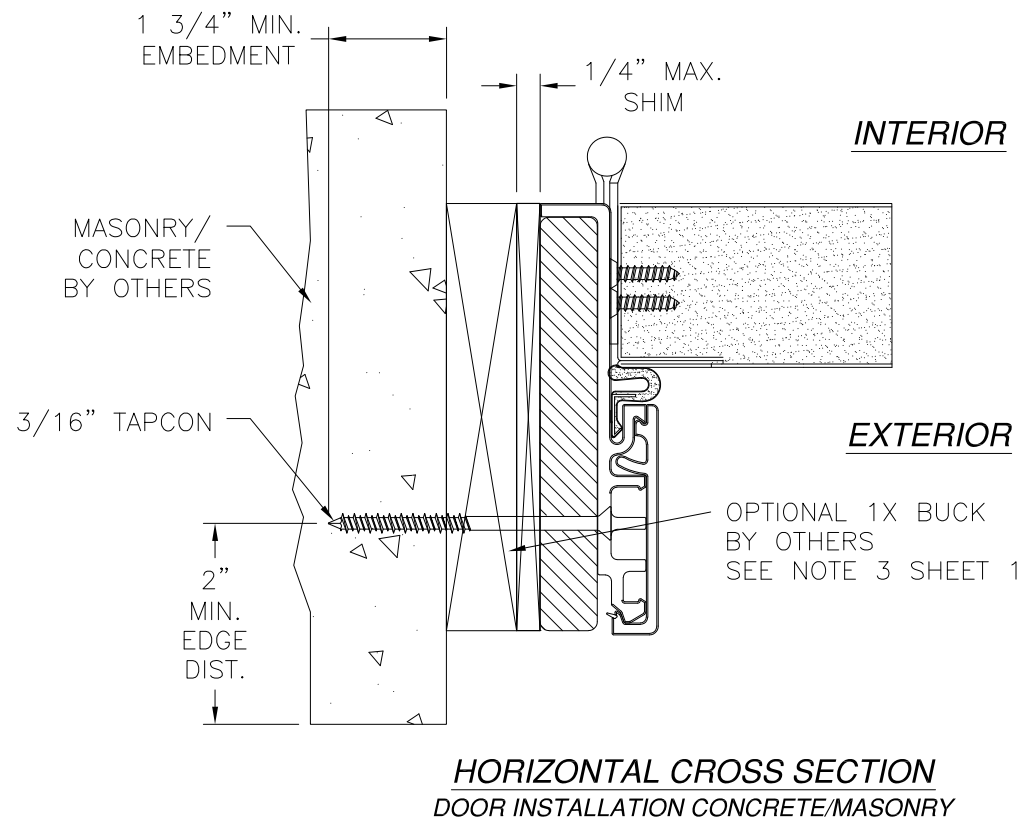
| | | |
|----------------|---------------------|------------------|
| DRAWN: N.G. | DWG NO. 08-02084 | REV I |
| SCALE NTS | DATE 06/20/13 | SHEET 9 OF 14 |

L. ROBERTO LOMAS P.E.
1432 WOODFORD RD LEWISVILLE, NC 27023
434-688-0609 rllomas@rlomaspe.com



Luis R. Lomas P.E.
FL No.: 62514

| REVISIONS | | | |
|-----------|------------------------|------------|----------|
| REV | DESCRIPTION | DATE | APPROVED |
| I | ADDED GLAZED FIR TRIMS | 08/30/2021 | R.L. |



- NOTES:**
1. INTERIOR AND EXTERIOR FINISHES, BY OTHERS, NOT SHOWN FOR CLARITY.
 2. PERIMETER AND JOINT SEALANT BY OTHERS TO BE DESIGNED IN ACCORDANCE WITH ASTM E2112

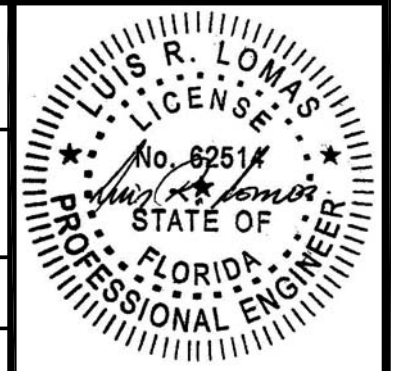
PROVIA, LLC.
2150 STATE ROUTE 39 WEST
SUGARCREEK, OH 44681

STEEL/FIBERGLASS INSWING OPAQUE SINGLE DOOR
W/SIDELITES & TRANSOM NON-IMPACT
INSTALLATION DETAILS W/FUSION FRAME

| | | |
|----------------|---------------------|-------------------|
| DRAWN: N.G. | DWG NO. 08-02084 | REV I |
| SCALE NTS | DATE 06/20/13 | SHEET 10 OF 14 |

L. ROBERTO LOMAS P.E.
1432 WOODFORD RD LEWISVILLE, NC 27023
434-688-0609 rllomas@rlomaspe.com

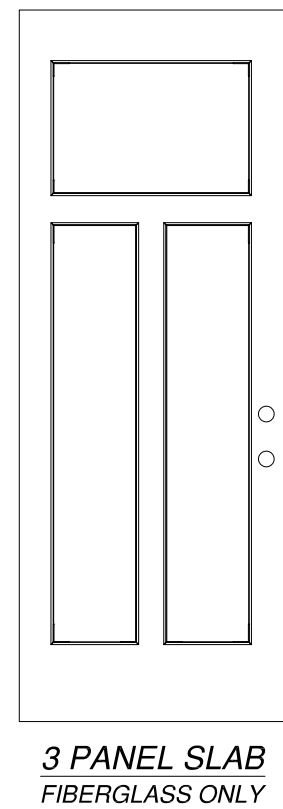
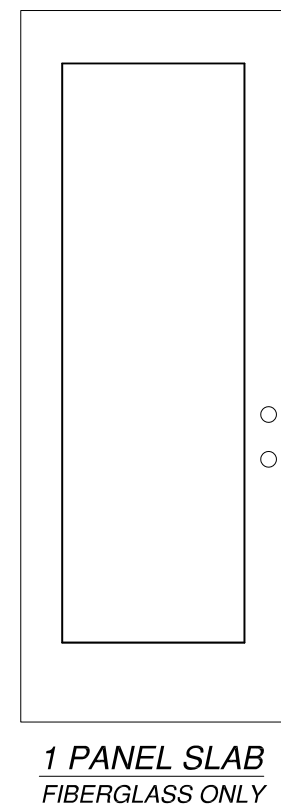
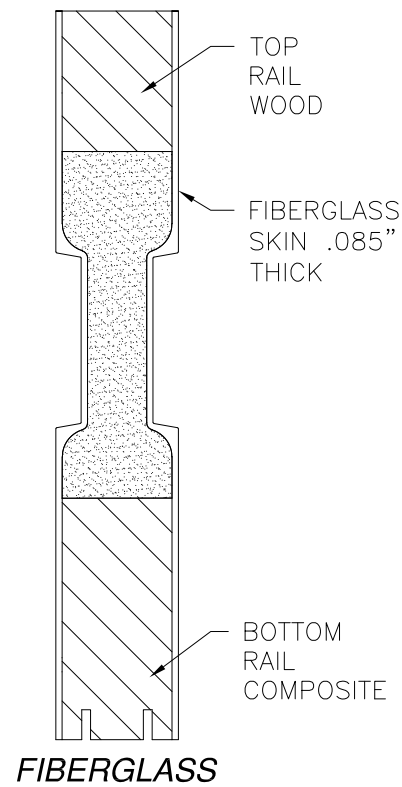
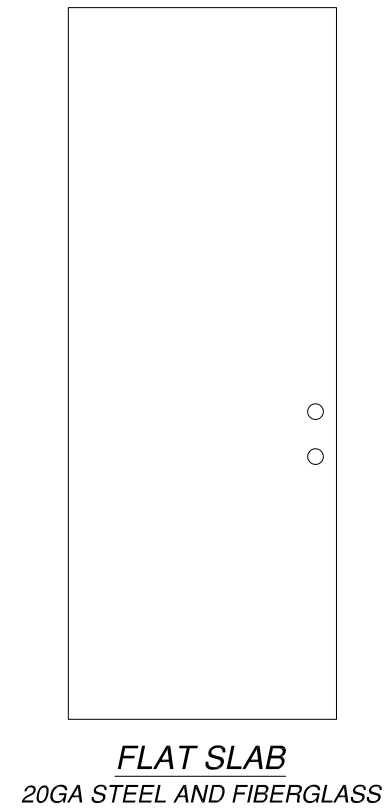
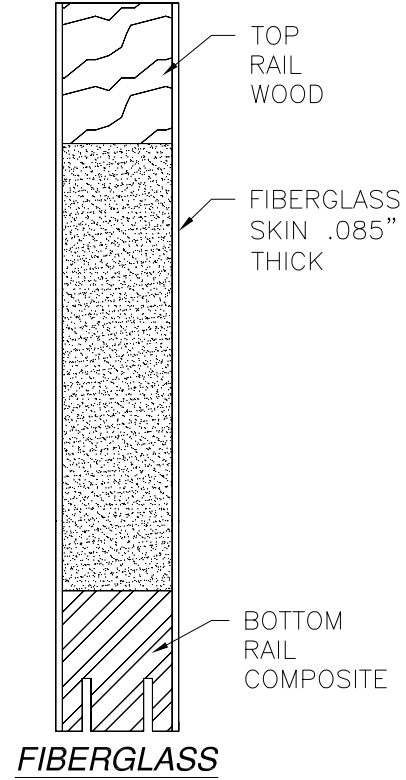
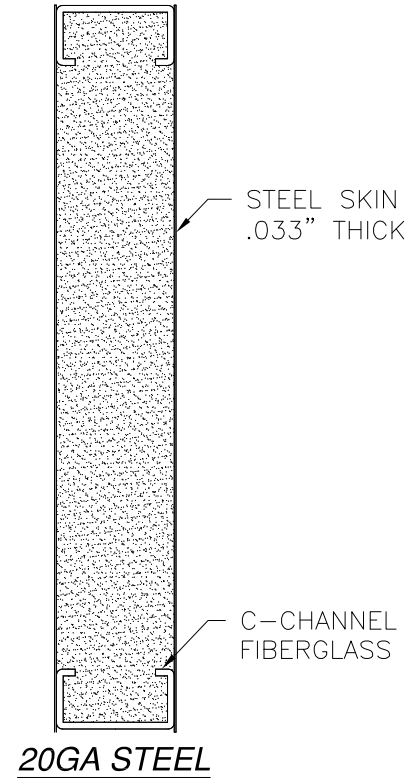
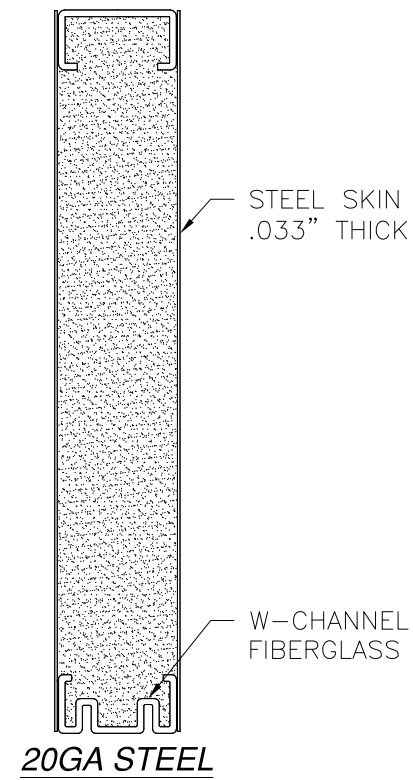
SIGNED: 08/30/2021



Luis R. Lomas P.E.
FL No.: 62514

APPROVED DOOR SLABS AND CROSS SECTIONS

| REVISIONS | | | |
|-----------|------------------------|------------|----------|
| REV | DESCRIPTION | DATE | APPROVED |
| I | ADDED GLAZED FIR TRIMS | 08/30/2021 | R.L. |



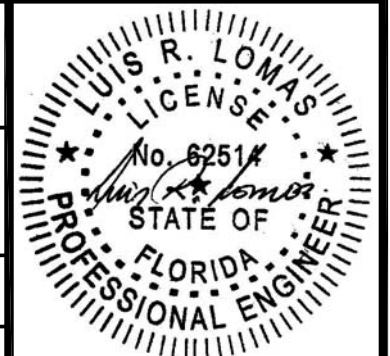
PROVIA, LLC.
2150 STATE ROUTE 39 WEST
SUGARCREEK, OH 44681

STEEL/FIBERGLASS INSWING OPAQUE SINGLE DOOR
W/SIDELITES & TRANSOM NON-IMPACT
HINGE DETAILS AND APPROVED SLABS

| | | |
|----------------|---------------------|----------------|
| DRAWN: N.G. | DWG NO. 08-02084 | REV I |
| SCALE NTS | DATE 06/20/13 | SHEET 11 OF 14 |

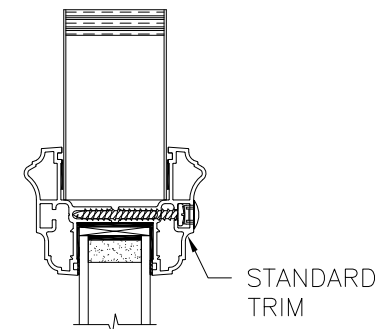
L. ROBERTO LOMAS P.E.
1432 WOODFORD RD LEWISVILLE, NC 27023
434-688-0609 rllomas@rlomaspe.com

SIGNED: 08/30/2021

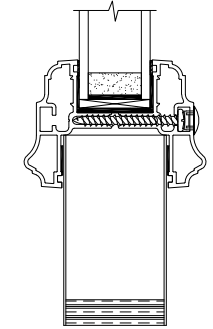


Luis R. Lomas P.E.
FL No.: 62514

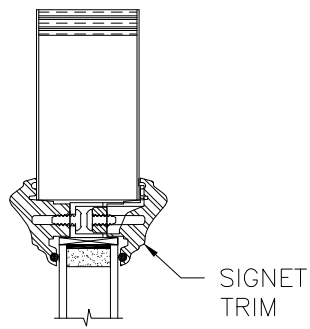
| REVISIONS | | | |
|-----------|------------------------|------------|----------|
| REV | DESCRIPTION | DATE | APPROVED |
| I | ADDED GLAZED FIR TRIMS | 08/30/2021 | R.L. |



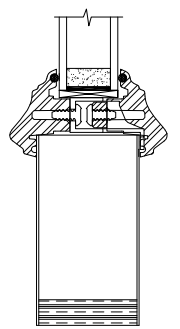
STANDARD TRIM



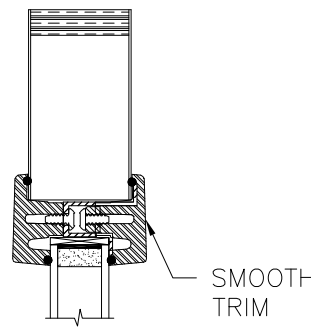
OPTION 1
STANDARD TRIM



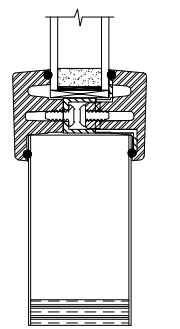
SIGNET TRIM



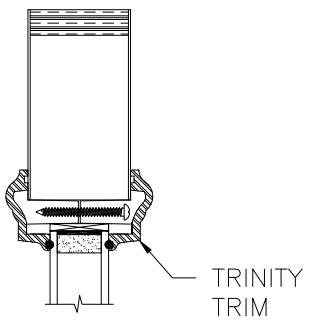
OPTION 2
SIGNET TRIM



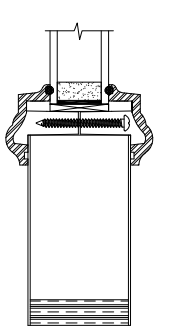
SMOOTH TRIM



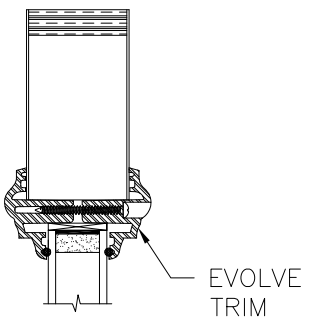
OPTION 3
SMOOTH TRIM



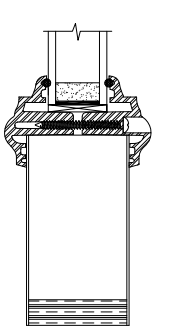
TRINITY TRIM



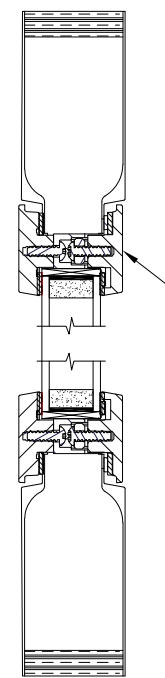
OPTION 4
TRINITY TRIM



EVOLVE TRIM

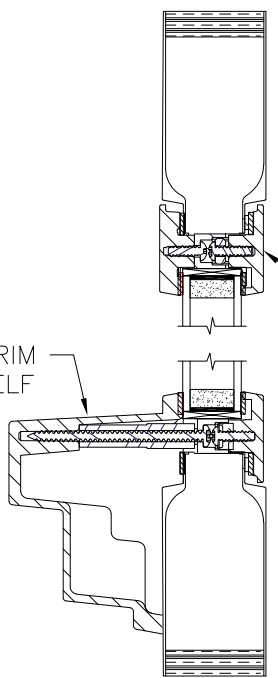


OPTION 5
EVOLVE TRIM



SIGNET FIR TRIM

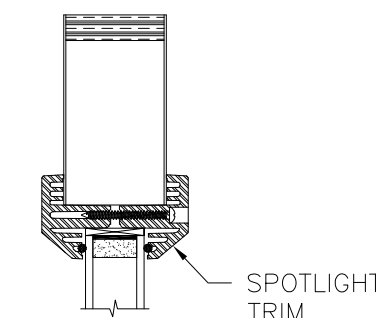
OPTION 11
SIGNET FIR TRIM



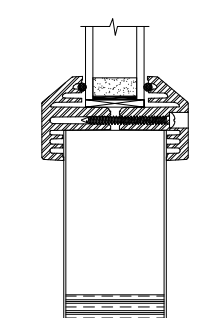
SIGNET FIR TRIM

SIGNET FIR TRIM
DENTIL SHELF

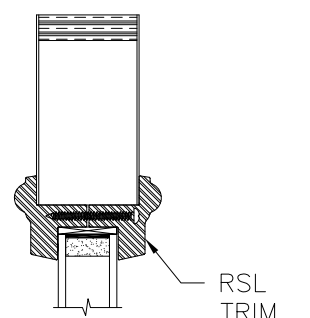
OPTION 12
SIGNET FIR &
DENTIL SHELF TRIM



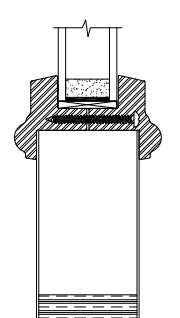
SPOTLIGHT TRIM



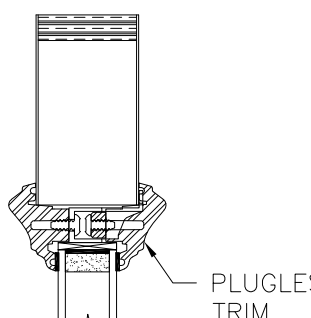
OPTION 6
SPOTLIGHT TRIM



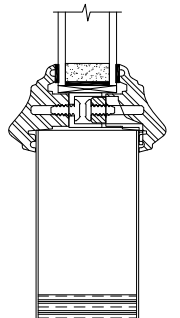
RSL TRIM



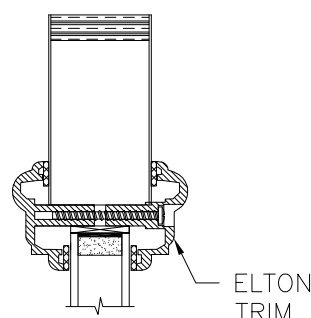
OPTION 7
RSL TRIM



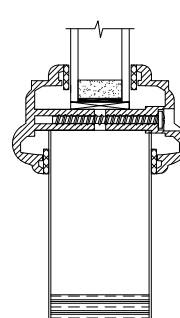
PLUGLESS TRIM



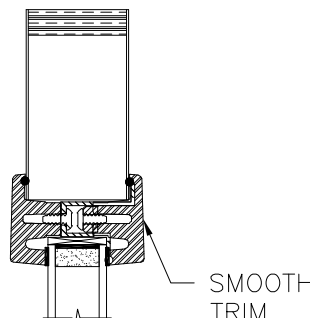
OPTION 8
PLUGLESS TRIM
W/TAPE



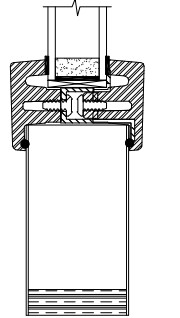
ELTON TRIM



OPTION 9
ELTON TRIM



SMOOTH TRIM



OPTION 10
SMOOTH TRIM
W/TAPE

APPROVED SLABS AND TRIMS

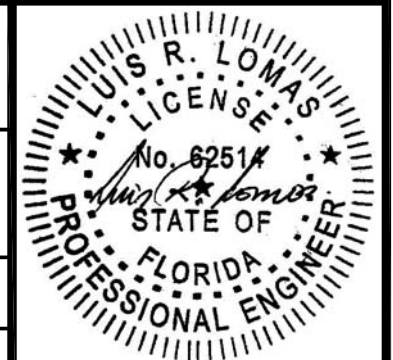
PROVIA, LLC.
2150 STATE ROUTE 39 WEST
SUGARCREEK, OH 44681

STEEL/FIBERGLASS INSWING OPAQUE SINGLE DOOR
W/SIDELITES & TRANSOM NON-IMPACT
APPROVED SLABS AND TRIMS

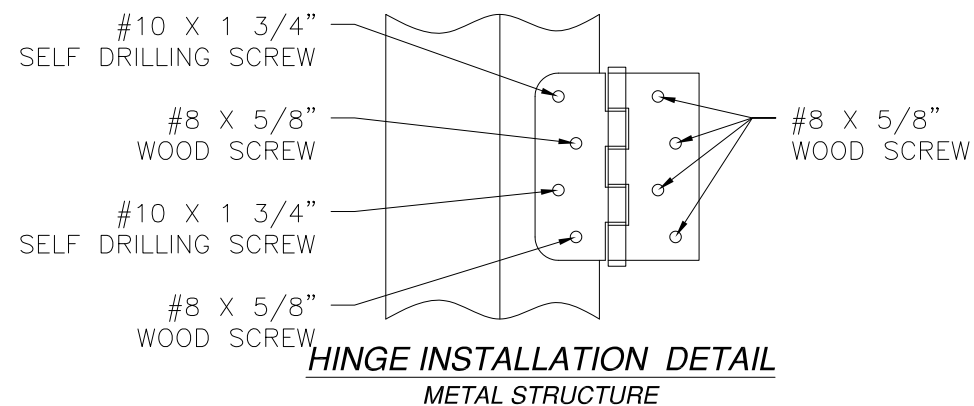
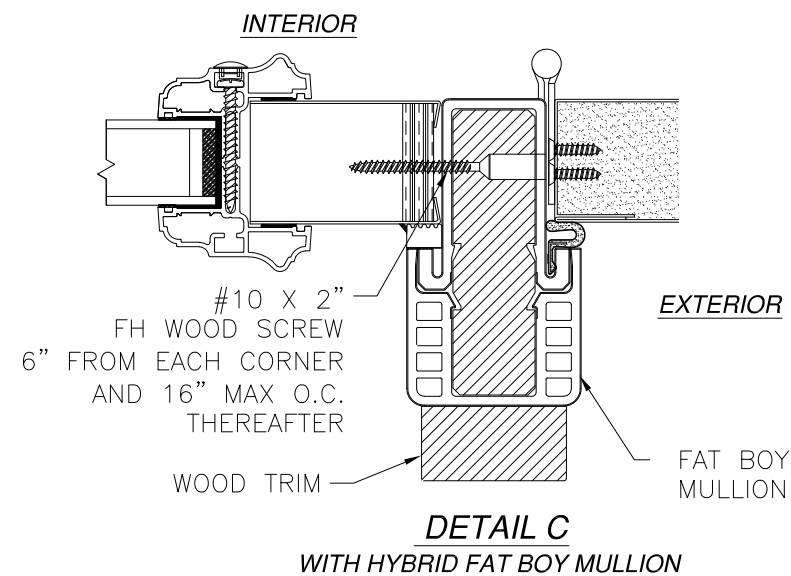
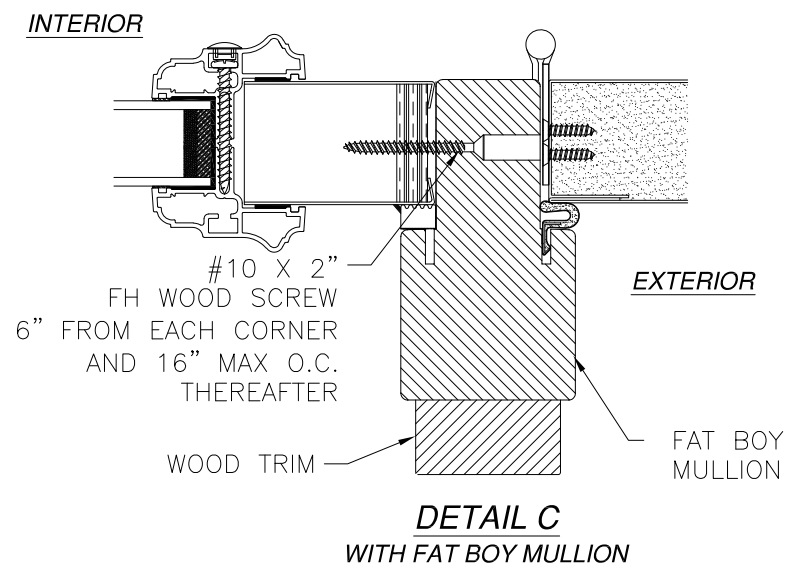
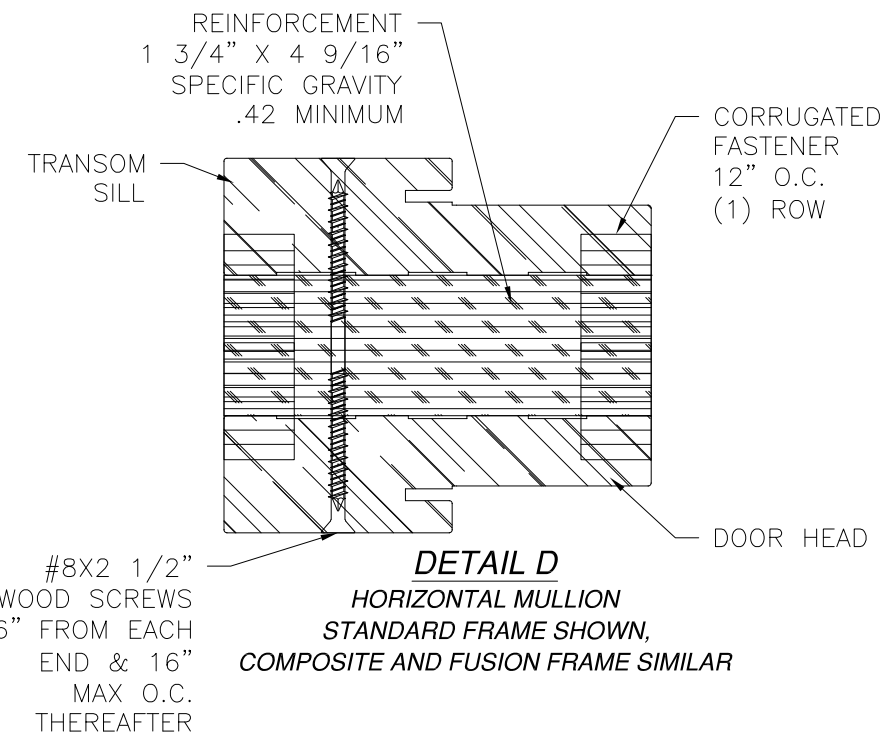
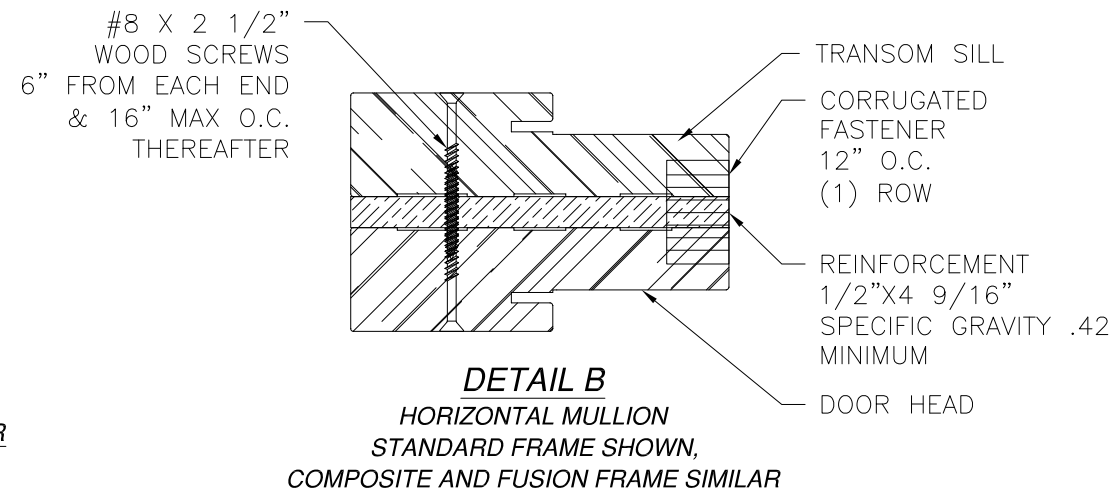
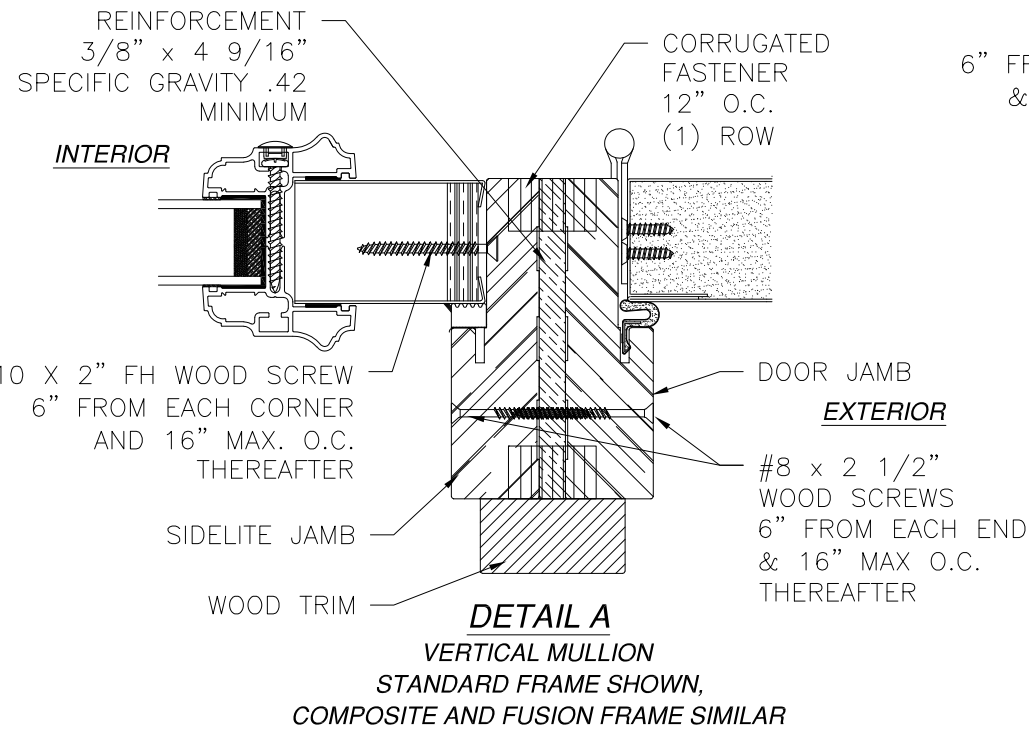
| | | |
|----------------|---------------------|-------------------|
| DRAWN: N.G. | DWG NO. 08-02084 | REV I |
| SCALE NTS | DATE 06/20/13 | SHEET 12 OF 14 |

L. ROBERTO LOMAS P.E.
1432 WOODFORD RD LEWISVILLE, NC 27023
434-688-0609 rllomas@lrlomaspe.com

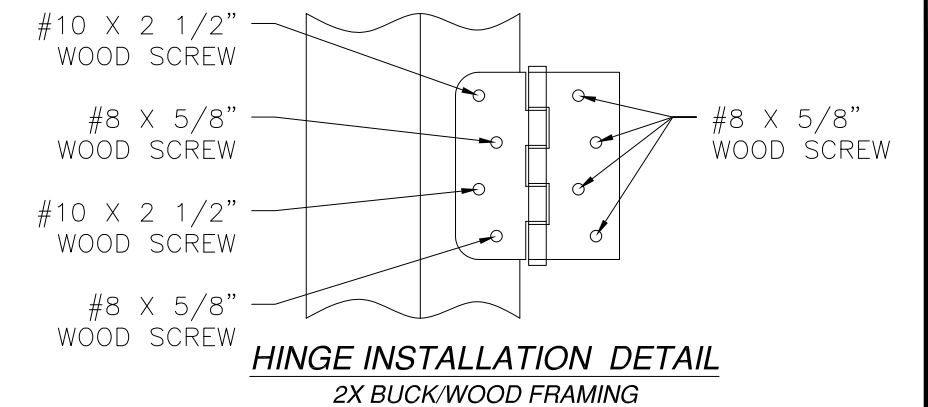
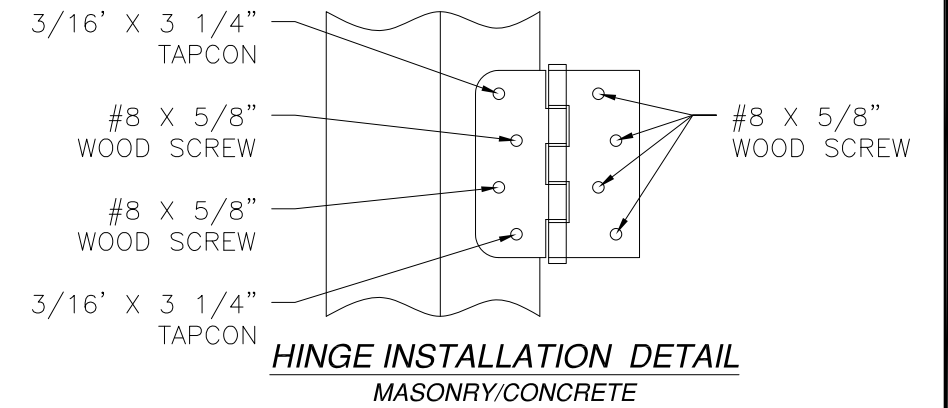
SIGNED: 08/30/2021



Luis R. Lomas P.E.
FL No.: 62514



| REVISIONS | | | |
|-----------|------------------------|------------|----------|
| REV | DESCRIPTION | DATE | APPROVED |
| 1 | ADDED GLAZED FIR TRIMS | 08/30/2021 | R.L. |



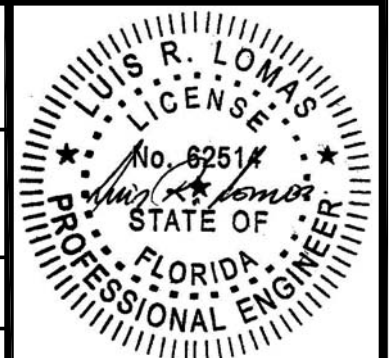
PROVIA, LLC.
2150 STATE ROUTE 39 WEST
SUGARCREEK, OH 44681

STEEL/FIBERGLASS INSWING OPAQUE SINGLE DOOR
W/SIDELITES & TRANSOM NON-IMPACT
MULLION DETAILS

| | | |
|----------------|---------------------|----------------|
| DRAWN: N.G. | DWG NO. 08-02084 | REV 1 |
| SCALE NTS | DATE 06/20/13 | SHEET 13 OF 14 |

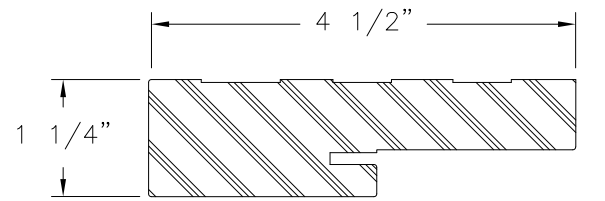
L. ROBERTO LOMAS P.E.
1432 WOODFORD RD LEWISVILLE, NC 27023
434-688-0609 rllomas@rlomaspe.com

SIGNED: 08/30/2021

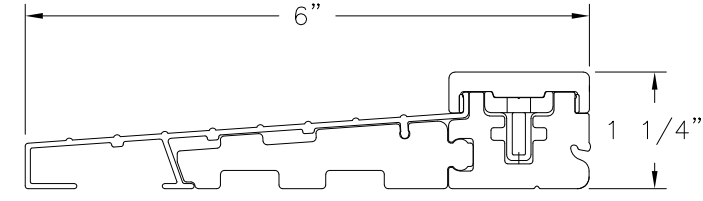


Luis R. Lomas P.E.
FL No.: 62514

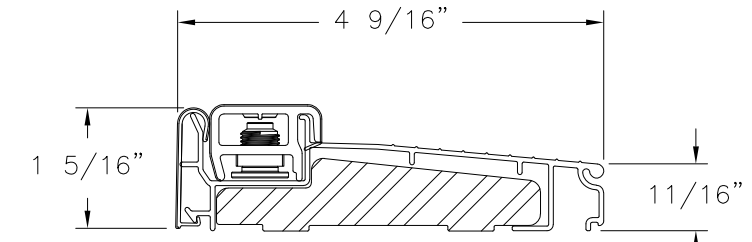
| REVISIONS | | | |
|-----------|------------------------|------------|----------|
| REV | DESCRIPTION | DATE | APPROVED |
| I | ADDED GLAZED FIR TRIMS | 08/30/2021 | R.L. |



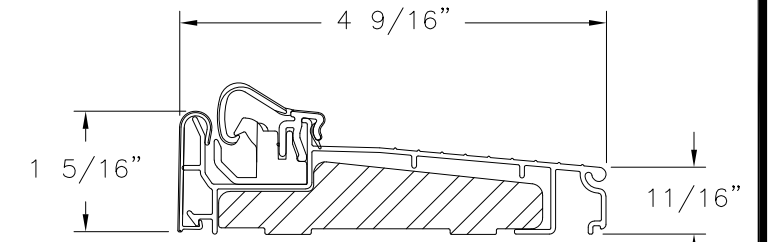
COMPOSITE FRAME PROFILE



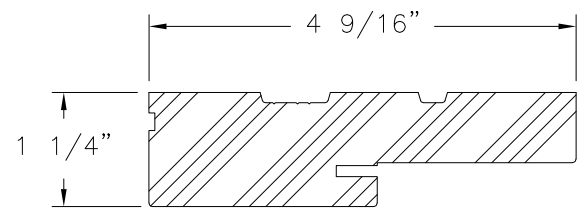
STANDARD INSWING THRESHOLD



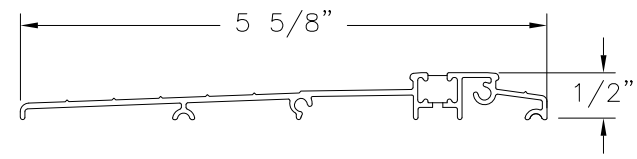
INSWING SILL ZAIL4565



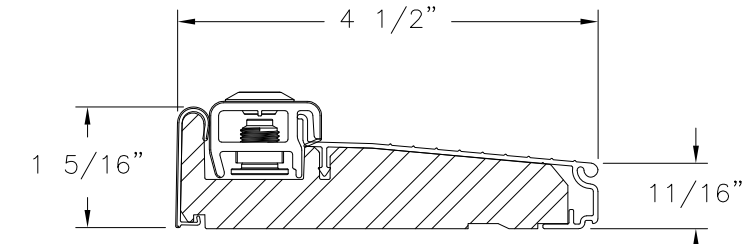
INSWING SILL ZA4L4565



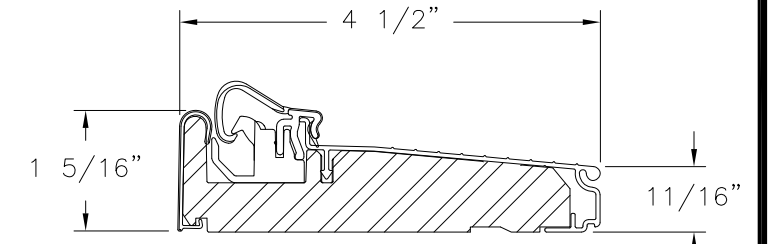
WOOD FRAME PROFILE



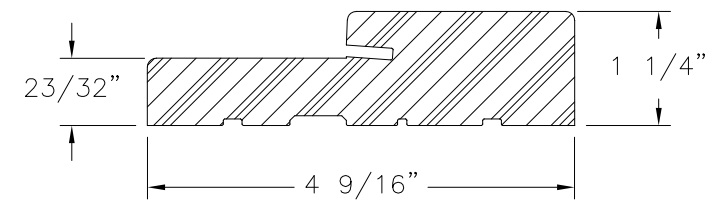
ADA THRESHOLD



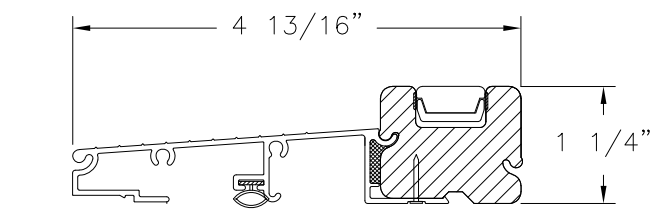
INSWING SILL ZAI4565F



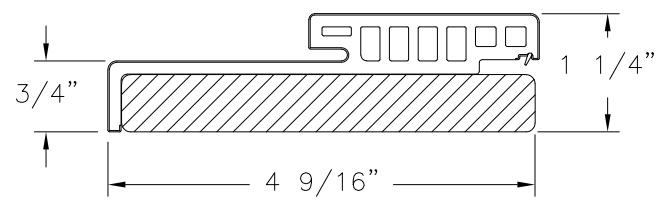
INSWING SILL ZAC4565F



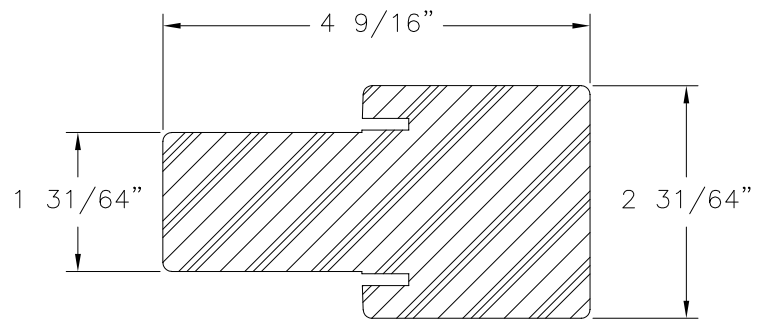
FRAMESAVER COMPOSITE



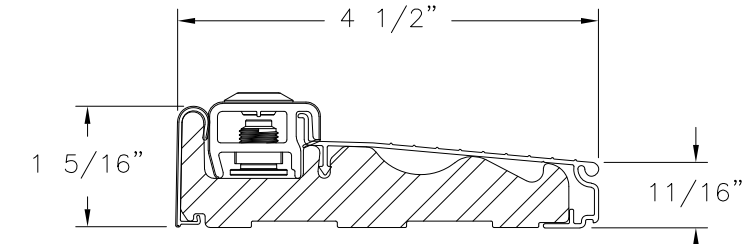
SAHARA INSWING THRESHOLD



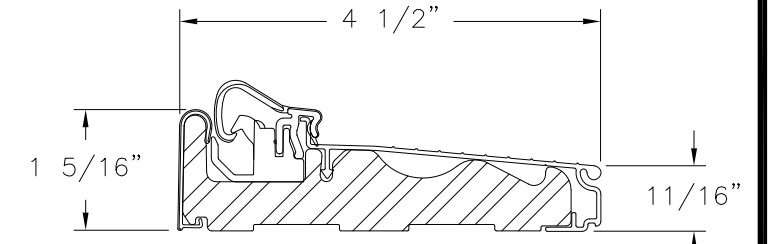
HYBRID HEAD WOOD/COMPOSITE



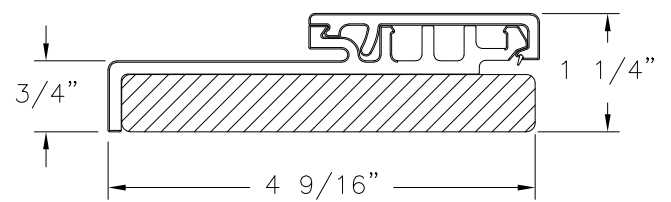
FAT BOY MULLION COMPOSITE



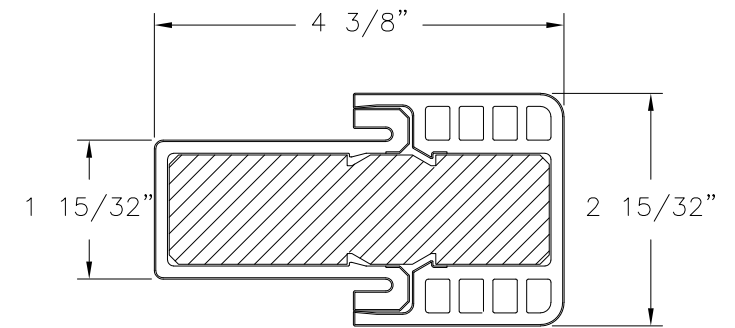
INSWING SILL ZAILH4565



INSWING SILL ZA4LH4565



HYBRID JAMB WOOD/COMPOSITE



HYBRID FAT BOY MULLION COMPOSITE

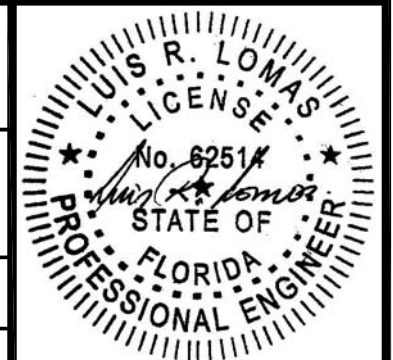
PROVIA, LLC.
 2150 STATE ROUTE 39 WEST
 SUGARCREEK, OH 44681

STEEL/FIBERGLASS INSWING OPAQUE SINGLE DOOR
 W/SIDELITES & TRANSOM NON-IMPACT
 COMPONENTS

| | | |
|----------------|---------------------|-------------------|
| DRAWN: N.G. | DWG NO. 08-02084 | REV I |
| SCALE NTS | DATE 06/20/13 | SHEET 14 OF 14 |

L. ROBERTO LOMAS P.E.
 1432 WOODFORD RD LEWISVILLE, NC 27023
 434-688-0609 rllomas@rlomaspe.com

SIGNED: 08/30/2021



Luis R. Lomas P.E.
 FL No.: 62514