

| REVISIONS | | | |
|-----------|----------------------|------------|----------|
| REV | DESCRIPTION | DATE | APPROVED |
| G | REVISED SLAB OPTIONS | 02/04/2021 | R.L. |

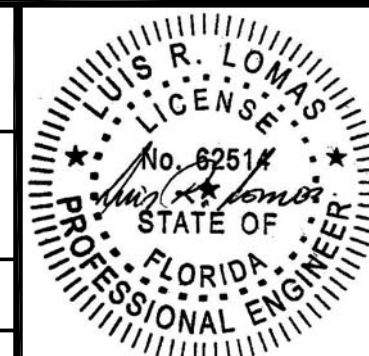
NOTES:

1. THE PRODUCT SHOWN HEREIN IS DESIGNED AND MANUFACTURED TO COMPLY WITH REQUIREMENTS OF THE FLORIDA BUILDING CODE.
2. WOOD FRAMING, METAL STRUCTURE AND MASONRY OPENING TO BE DESIGNED AND ANCHORED TO PROPERLY TRANSFER ALL LOADS TO STRUCTURE. FRAMING AND MASONRY OPENING IS THE RESPONSIBILITY OF THE ARCHITECT OR ENGINEER OF RECORD.
3. 1X BUCK OVER MASONRY/CONCRETE IS OPTIONAL. WHERE 1X BUCK IS NOT USED DISSIMILAR MATERIALS MUST BE SEPARATED WITH APPROVED COATING OR MEMBRANE. SELECTION OF COATING OR MEMBRANE IS THE RESPONSIBILITY OF THE ARCHITECT OR ENGINEER OF RECORD.
4. ALLOWABLE STRESS INCREASE OF 1/3 WAS NOT USED IN THE DESIGN OF THE PRODUCT SHOWN HEREIN. WIND LOAD DURATION FACTOR Cd=1.6 WAS USED FOR WOOD ANCHOR CALCULATIONS.
5. FRAME MATERIAL: WOOD WITH G=.46 MINIMUM SPECIFIC GRAVITY, OR COMPOSITE, OR FRAMESAVER, OR FUSION FRAME.
DOOR SKIN MATERIAL: STEEL .033" THICK (MINIMUM) AND FIBERGLASS .085" THICK(MINIMUM).
6. APPROVED IMPACT PROTECTIVE SYSTEM IS REQUIRED FOR THIS PRODUCT IN WIND BORNE DEBRIS REGIONS.
7. SHIM AS REQUIRED AT EACH INSTALLATION ANCHOR WITH LOAD BEARING SHIM. SHIM WHERE SPACE OF 1/16" OR GREATER OCCURS. MAXIMUM ALLOWABLE SHIM STACK TO BE 1/4".
8. FOR ANCHORING INTO WOOD FRAMING OR 2X BUCK USE #10 WOOD SCREWS WITH SUFFICIENT LENGTH TO ACHIEVE A 1 3/8" MINIMUM EMBEDMENT INTO SUBSTRATE. LOCATE ANCHORS AS SHOWN IN ELEVATIONS AND INSTALLATION DETAILS.
9. FOR ANCHORING INTO MASONRY/CONCRETE USE 3/16" TAPCONS WITH SUFFICIENT LENGTH TO ACHIEVE A 1 1/4" MINIMUM EMBEDMENT INTO SUBSTRATE WITH 2" MINIMUM EDGE DISTANCE. LOCATE ANCHORS AS SHOWN IN ELEVATIONS AND INSTALLATION DETAILS.
10. FOR ANCHORING INTO METAL STRUCTURE USE #10 SMS OR SELF DRILLING SCREWS WITH SUFFICIENT LENGTH TO ACHIEVE 3 THREADS MINIMUM BEYOND STRUCTURE INTERIOR WALL. LOCATE ANCHORS AS SHOWN IN ELEVATIONS AND INSTALLATION DETAILS.
11. ALL FASTENERS TO BE CORROSION RESISTANT.
12. INSTALLATION ANCHORS SHALL BE INSTALLED IN ACCORDANCE WITH ANCHOR MANUFACTURER'S INSTALLATION INSTRUCTIONS AND ANCHORS SHALL NOT BE USED IN SUBSTRATES WITH STRENGTHS LESS THAN THE MINIMUM STRENGTH SPECIFIED BELOW:
 - A. WOOD – MINIMUM SPECIFIC GRAVITY OF G=0.42
 - B. CONCRETE – MINIMUM COMPRESSIVE STRENGTH OF 3,192 PSI.
 - C. MASONRY – STRENGTH CONFORMANCE TO ASTM C-90, GRADE N, TYPE 1 (OR GREATER).
 - D. METAL STRUCTURE: STEEL 18GA, 33KSI OR ALUMINUM 6063-T5 .048" THICK MINIMUM

SIGNED: 02/04/2021

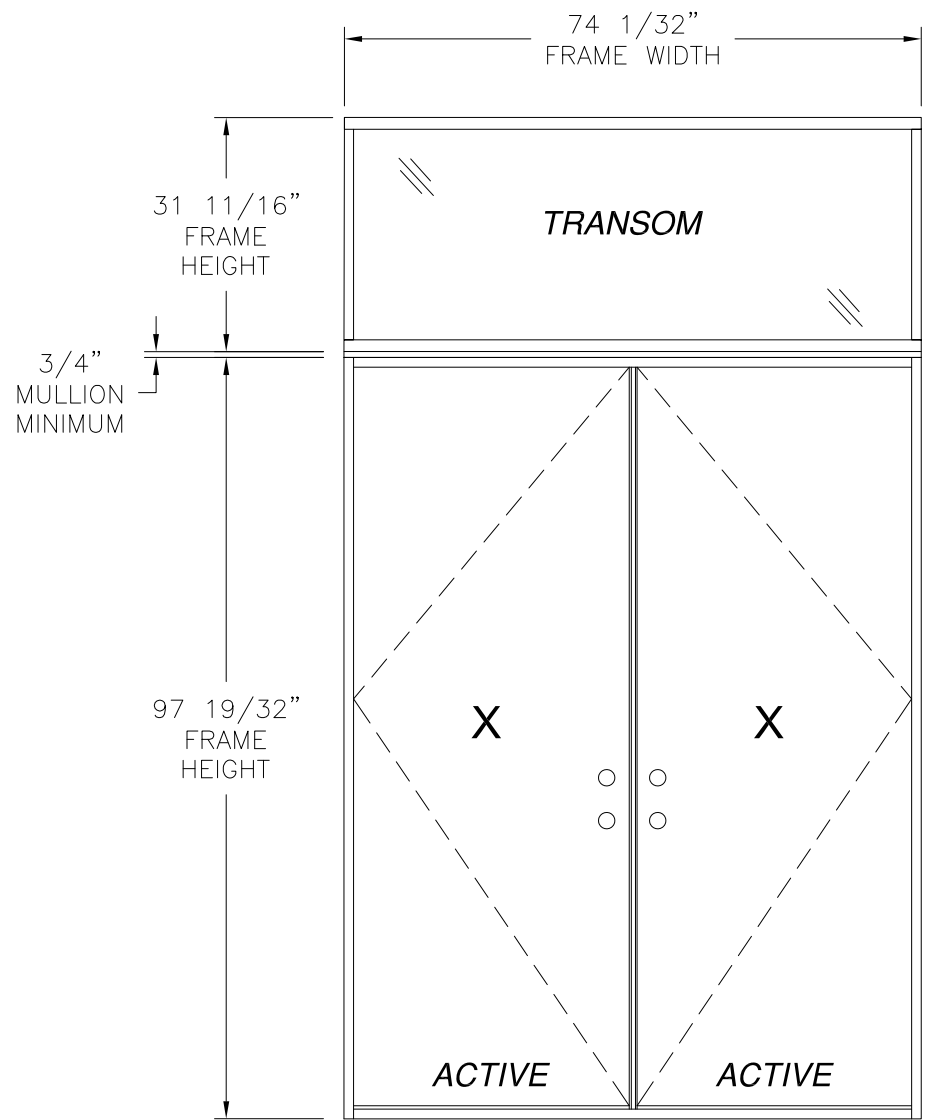
| TABLE OF CONTENTS | |
|-------------------|--------------------------------|
| SHEET NO. | DESCRIPTION |
| 1 | NOTES |
| 2 | ELEVATION AND ANCHOR LAYOUT |
| 3 – 9 | INSTALLATION DETAILS |
| 10 – 12 | COMPONENTS AND MULLION DETAILS |

| | | |
|---|---------------------|------------------|
| PROVIA, LLC. 2150 STATE ROUTE 39 WEST SUGARCREEK, OH 44681 | | |
| STEEL/FIBERGLASS INSWING OPAQUE DOUBLE DOOR W/TRANSOM NON-IMPACT NOTES | | |
| DRAWN: N.G. | DWG NO. 08-02086 | REV G |
| SCALE NTS | DATE 06/20/13 | SHEET 1 OF 12 |
| L. ROBERTO LOMAS P.E. 1432 WOODFORD RD LEWISVILLE, NC 27023 434-688-0609 rllomas@rlomaspe.com | | |

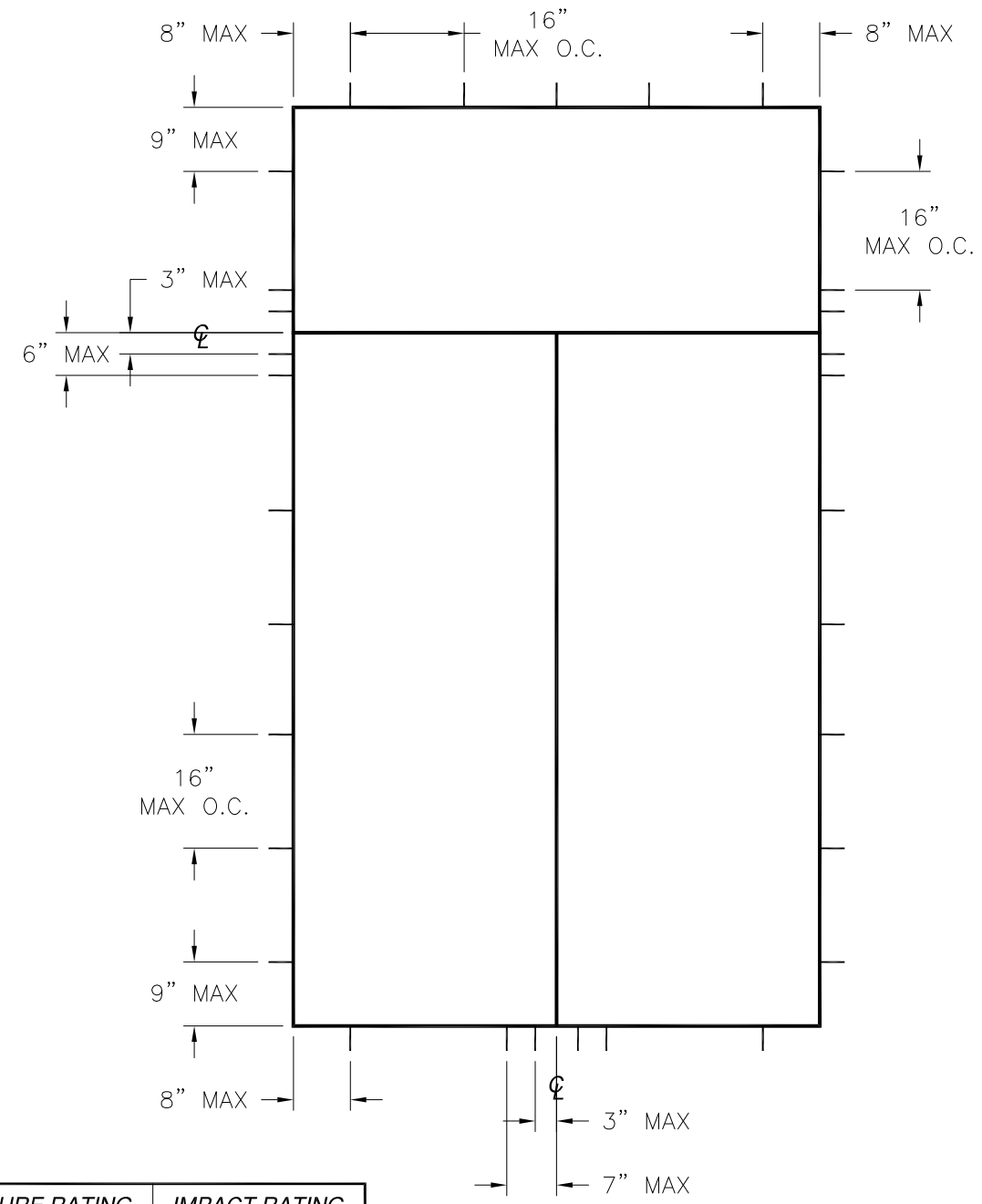


Luis R. Lomas P.E.
FL No.: 62514

| REVISIONS | | | |
|-----------|----------------------|------------|----------|
| REV | DESCRIPTION | DATE | APPROVED |
| G | REVISED SLAB OPTIONS | 02/04/2021 | R.L. |



DOUBLE DOOR W/ TRANSOM
EXTERIOR VIEW



ANCHOR LAYOUT

| DESIGN PRESSURE RATING | IMPACT RATING |
|--|---------------|
| ±55.0PSF | NONE |
| THIS SYSTEM WAS NOT TESTED FOR WATER INFILTRATION AND IS TO BE INSTALLED ONLY WHERE WATER RESISTANCE IS NOT REQUIRED | |

35 3/4" x 94 15/16" PANEL SIZE SHOWN. OTHER SIZES ARE APPROVED AS LONG AS INDIVIDUAL PANEL AREA DOES NOT EXCEED 23.56 FT²

| HARDWARE SCHEDULE | |
|-------------------|--|
| A. | F-SERIES LOCK ASSEMBLY DOOR KNOB BY SCHLAGE. |
| B. | B-SERIES DEADBOLT ASSEMBLY BY SCHLAGE. |
| C. | F-SERIES DEADBOLT ASSEMBLY BY SCHLAGE. |
| D. | RESIDENTIAL GRADE DOOR HANDLE ASSEMBLY BY EMTEK (ALTERNATE). |
| E. | MULTI-POINT LOCK HANDLE ASSEMBLY BY TRILENNIUM (ALTERNATE). |
| F. | (3) 4" x 4" BALL BEARING HINGES BY PENROD. |
| G. | (3) 4" x 4" SPRING BOMMER HINGES BY PENROD. (ALTERNATE) |

D.L.O. NOTES:
1. TRANSOM D.L.O.: 71 1/32" X 28 11/16"

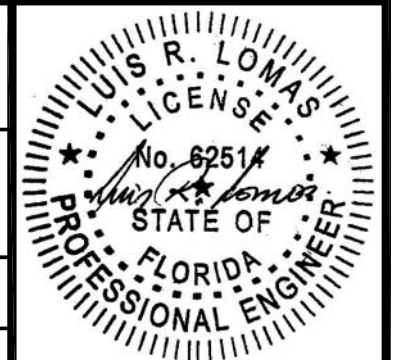
SIGNED: 02/04/2021

PROVIA, LLC.
2150 STATE ROUTE 39 WEST
SUGARCREEK, OH 44681

STEEL/FIBERGLASS INSWING OPAQUE DOUBLE DOOR
W/TRANSOM NON-IMPACT
ELEVATION AND ANCHOR LAYOUT

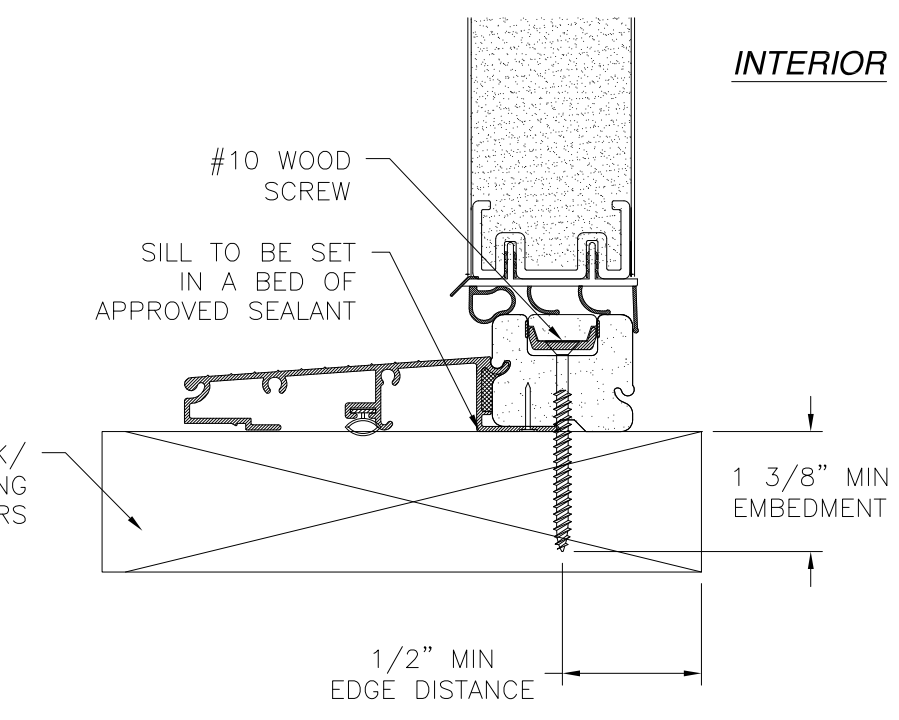
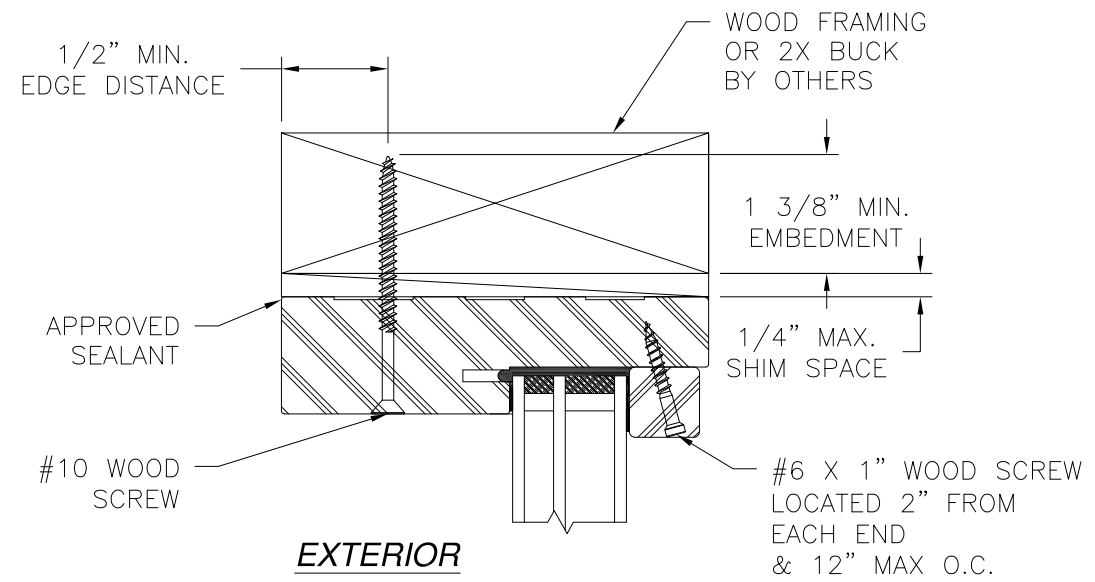
| | | |
|----------------|---------------------|------------------|
| DRAWN: N.G. | DWG NO. 08-02086 | REV G |
| SCALE NTS | DATE 06/20/13 | SHEET 2 OF 12 |

L. ROBERTO LOMAS P.E.
1432 WOODFORD RD LEWISVILLE, NC 27023
434-688-0609 rllomas@rlomaspe.com



Luis R. Lomas P.E.
FL No.: 62514

| REVISIONS | | | |
|-----------|----------------------|------------|----------|
| REV | DESCRIPTION | DATE | APPROVED |
| G | REVISED SLAB OPTIONS | 02/04/2021 | R.L. |



VERTICAL CROSS SECTION
DOOR AND TRANSOM INSTALLATION - 2X BUCK/WOOD FRAMING
 TRANSOM HEAD SHOWN
 TRANSOM JAMB SIMILAR

HORIZONTAL CROSS SECTION
DOOR INSTALLATION - 2X BUCK/WOOD FRAMING

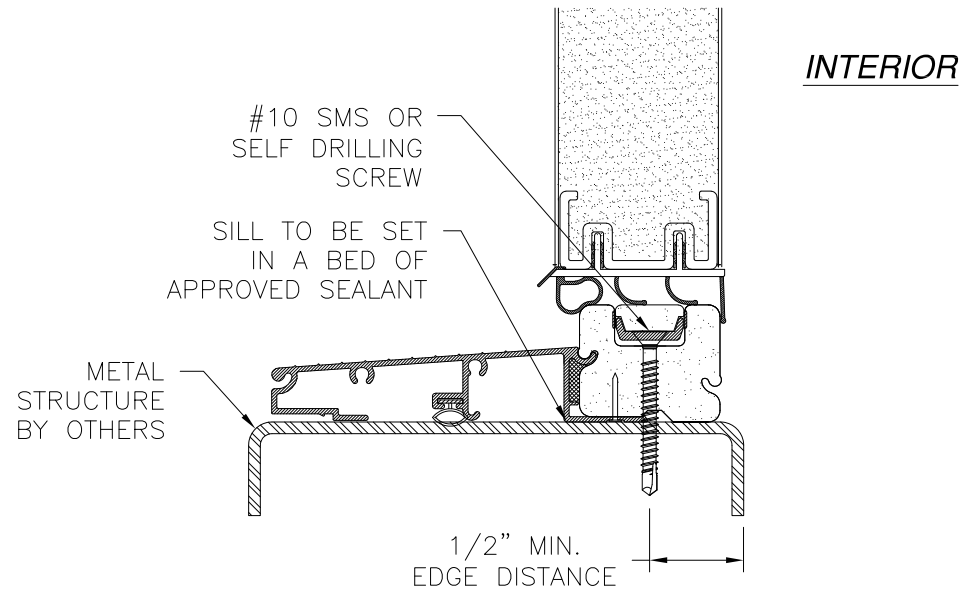
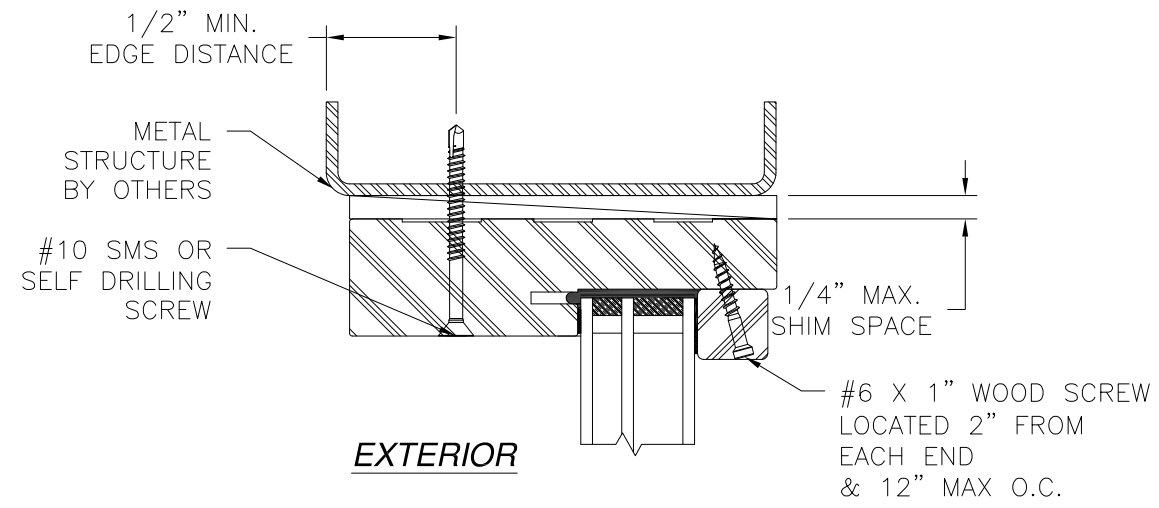
- NOTES:**
- INTERIOR AND EXTERIOR FINISHES, BY OTHERS, NOT SHOWN FOR CLARITY.
 - PERIMETER AND JOINT SEALANT BY OTHERS TO BE DESIGNED IN ACCORDANCE WITH ASTM E2112

SIGNED: 02/04/2021

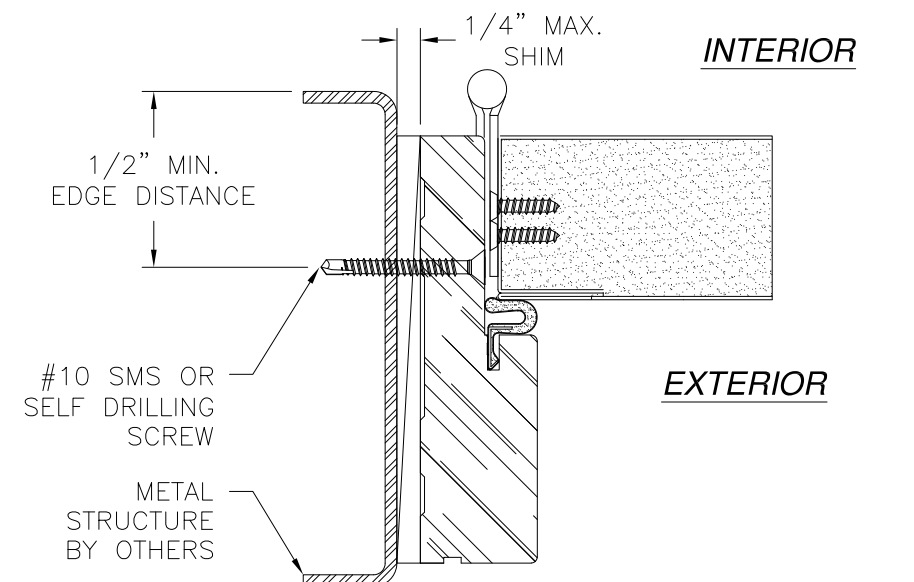
| | | |
|--|---------------------|------------------|
| PROVIA, LLC. 2150 STATE ROUTE 39 WEST SUGARCREEK, OH 44681 | | |
| STEEL/FIBERGLASS INSWING OPAQUE DOUBLE DOOR W/TRANSOM NON-IMPACT INSTALLATION DETAILS | | |
| DRAWN: N.G. | DWG NO. 08-02086 | REV G |
| SCALE NTS | DATE 06/20/13 | SHEET 3 OF 12 |
| L. ROBERTO LOMAS P.E. 1432 WOODFORD RD LEWISVILLE, NC 27023 434-688-0609 rllomas@lrlomaspe.com | | |

Luis R. Lomas P.E.
 FL No.: 62514

| REVISIONS | | | |
|-----------|----------------------|------------|----------|
| REV | DESCRIPTION | DATE | APPROVED |
| G | REVISED SLAB OPTIONS | 02/04/2021 | R.L. |



VERTICAL CROSS SECTION
DOOR AND TRANSOM INSTALLATION METAL STRUCTURE
 TRANSOM HEAD SHOWN
 TRANSOM JAMB SIMILAR



HORIZONTAL CROSS SECTION
DOOR INSTALLATION METAL STRUCTURE

- NOTES:**
- INTERIOR AND EXTERIOR FINISHES, BY OTHERS, NOT SHOWN FOR CLARITY.
 - PERIMETER AND JOINT SEALANT BY OTHERS TO BE DESIGNED IN ACCORDANCE WITH ASTM E2112

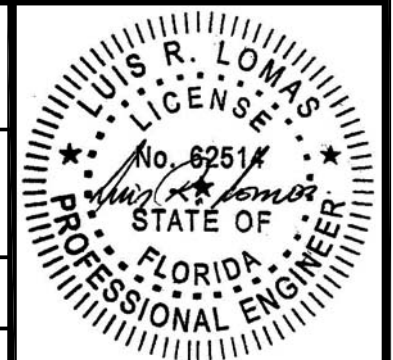
PROVIA, LLC.
 2150 STATE ROUTE 39 WEST
 SUGARCREEK, OH 44681

STEEL/FIBERGLASS INSWING OPAQUE DOUBLE DOOR
 W/TRANSOM NON-IMPACT
 INSTALLATION DETAILS

| | | |
|----------------|---------------------|------------------|
| DRAWN: N.G. | DWG NO. 08-02086 | REV G |
| SCALE NTS | DATE 06/20/13 | SHEET 4 OF 12 |

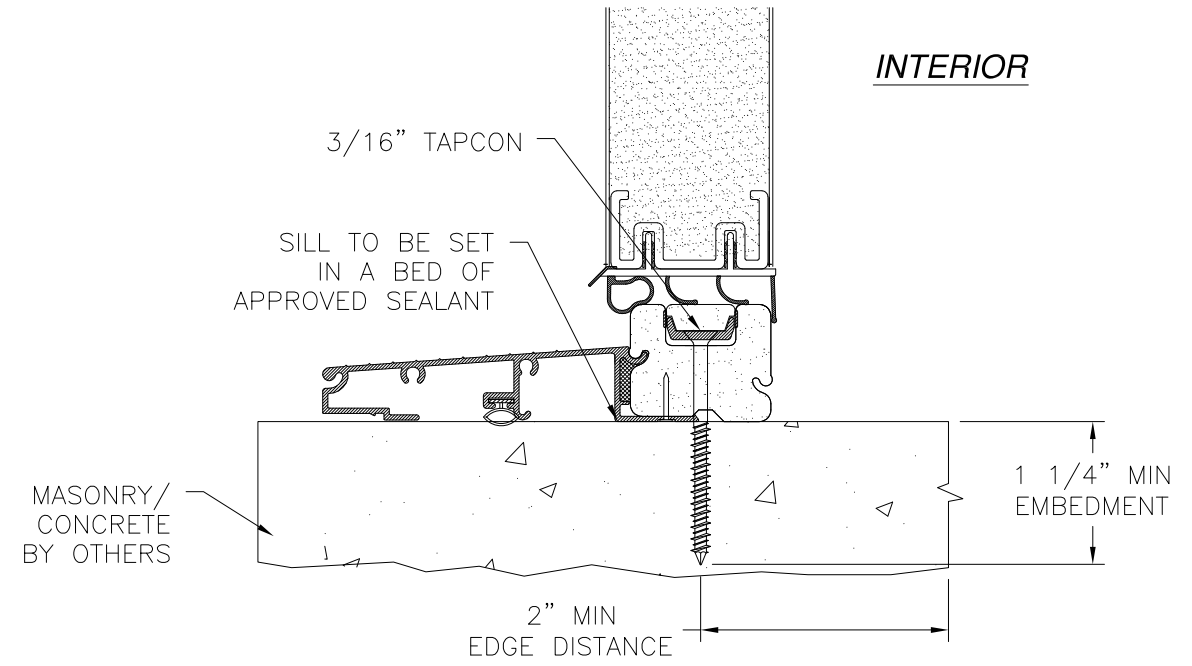
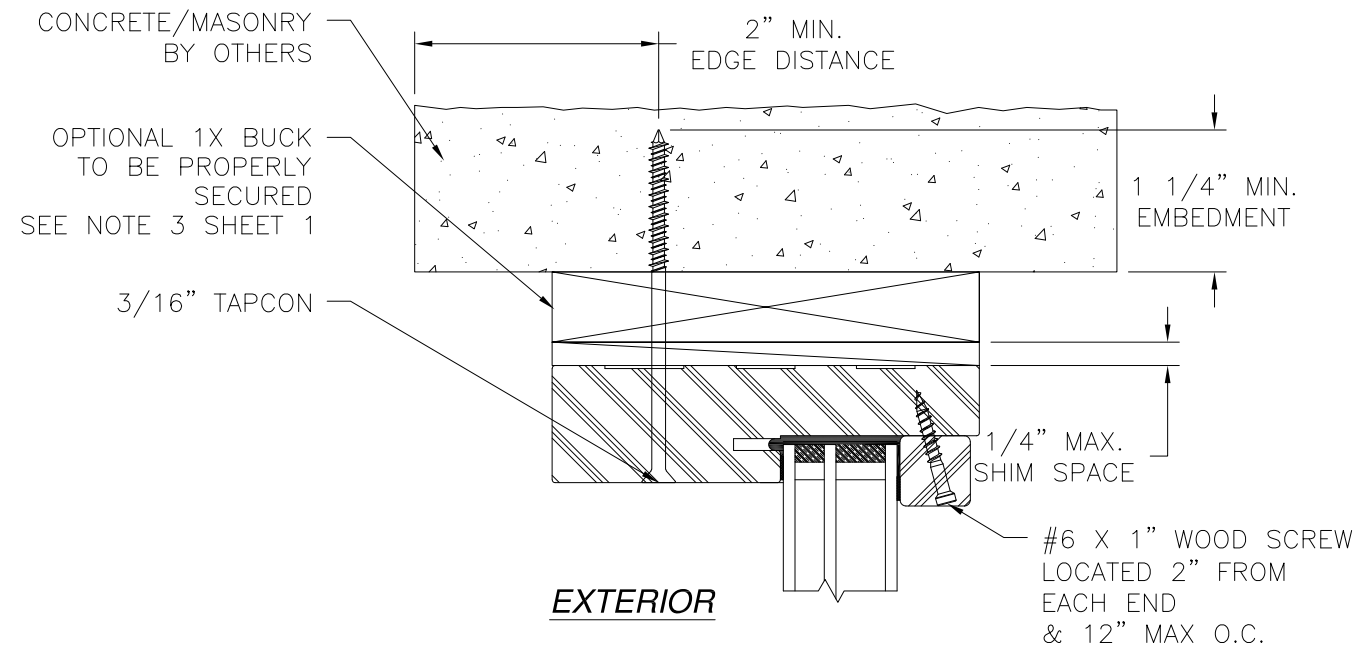
L. ROBERTO LOMAS P.E.
 1432 WOODFORD RD LEWISVILLE, NC 27023
 434-688-0609 rllomas@rlomaspe.com

SIGNED: 02/04/2021

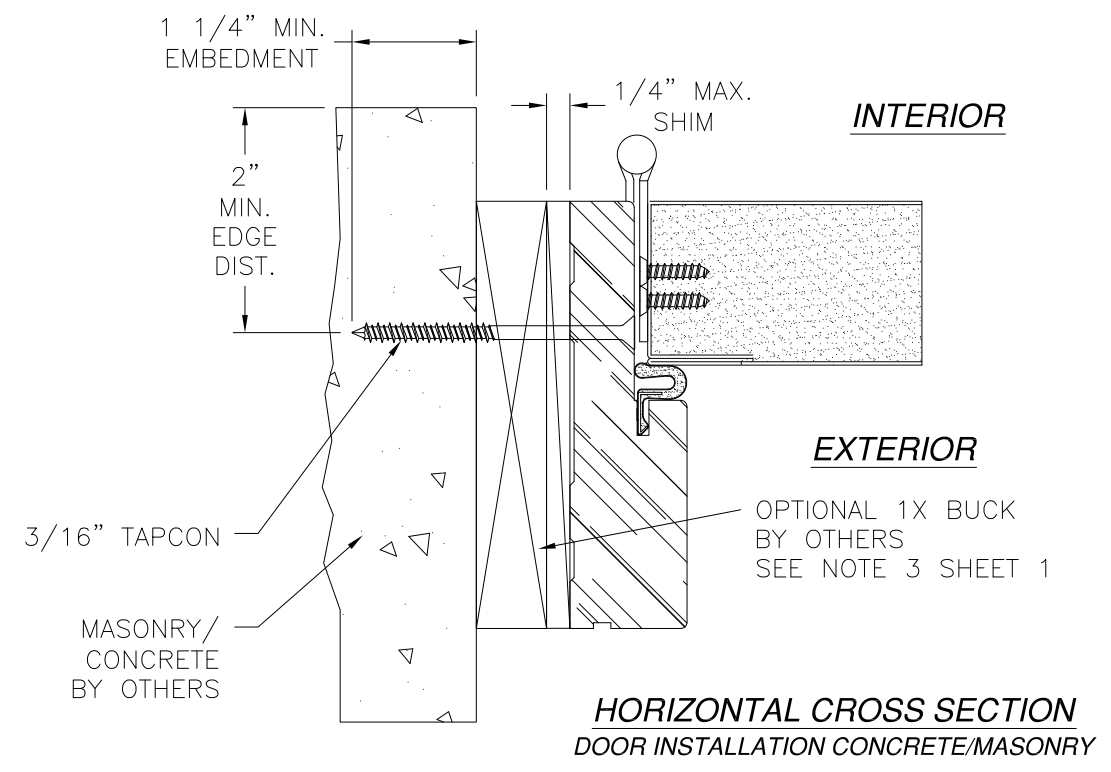


Luis R. Lomas P.E.
 FL No.: 62514

| REVISIONS | | | |
|-----------|----------------------|------------|----------|
| REV | DESCRIPTION | DATE | APPROVED |
| G | REVISED SLAB OPTIONS | 02/04/2021 | R.L. |



VERTICAL CROSS SECTION
DOOR AND TRANSOM INSTALLATION MASONRY/CONCRETE
 TRANSOM HEAD SHOWN
 TRANSOM JAMB SIMILAR



HORIZONTAL CROSS SECTION
DOOR INSTALLATION CONCRETE/MASONRY

- NOTES:**
1. INTERIOR AND EXTERIOR FINISHES, BY OTHERS, NOT SHOWN FOR CLARITY.
 2. PERIMETER AND JOINT SEALANT BY OTHERS TO BE DESIGNED IN ACCORDANCE WITH ASTM E2112

SIGNED: 02/04/2021

PROVIA, LLC.
 2150 STATE ROUTE 39 WEST
 SUGARCREEK, OH 44681

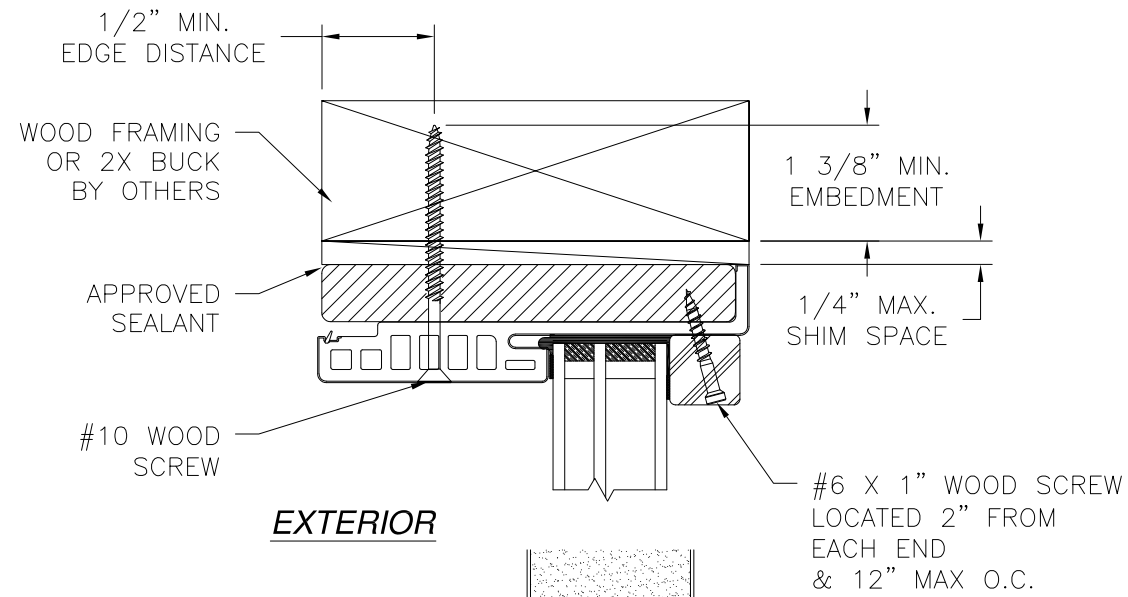
STEEL/FIBERGLASS INSWING OPAQUE DOUBLE DOOR
 W/TRANSOM NON-IMPACT
 INSTALLATION DETAILS

| | | |
|----------------|---------------------|------------------|
| DRAWN: N.G. | DWG NO. 08-02086 | REV G |
| SCALE NTS | DATE 06/20/13 | SHEET 5 OF 12 |

L. ROBERTO LOMAS P.E.
 1432 WOODFORD RD LEWISVILLE, NC 27023
 434-688-0609 rllomas@lrlomaspe.com

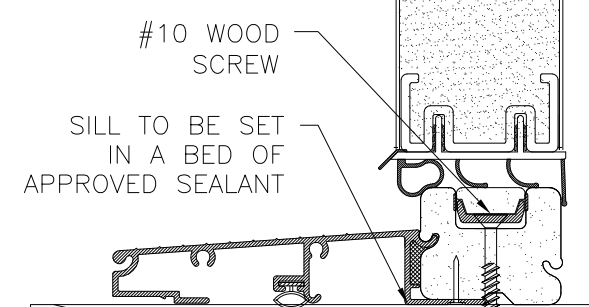
Luis R. Lomas P.E.
 FL No.: 62514

| REVISIONS | | | |
|-----------|----------------------|------------|----------|
| REV | DESCRIPTION | DATE | APPROVED |
| G | REVISED SLAB OPTIONS | 02/04/2021 | R.L. |



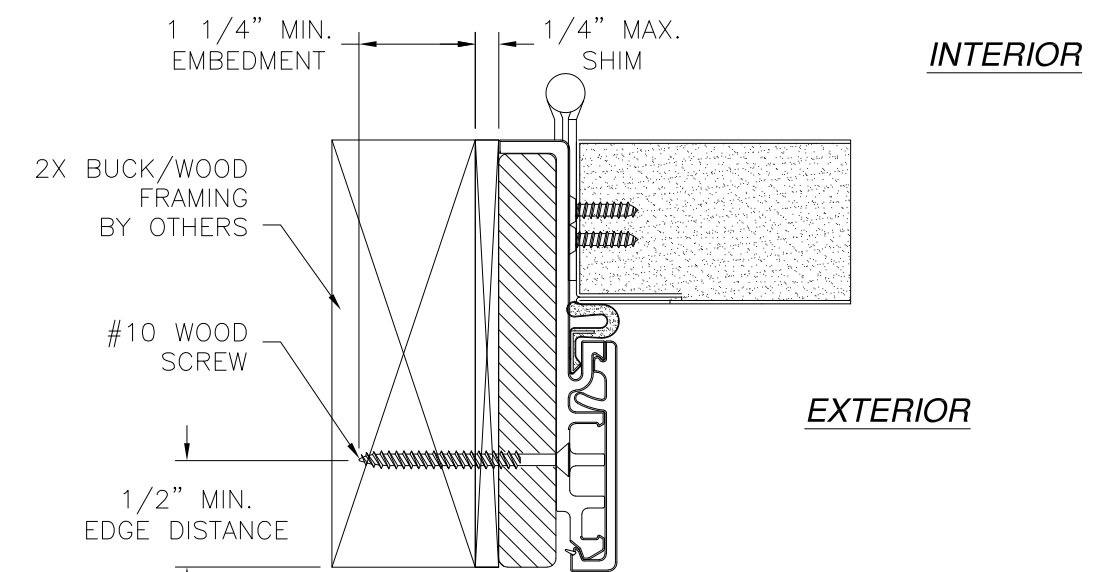
EXTERIOR

INTERIOR



VERTICAL CROSS SECTION

DOOR AND TRANSOM INSTALLATION - 2X BUCK/WOOD FRAMING
TRANSOM HEAD SHOWN
TRANSOM JAMB SIMILAR



INTERIOR

EXTERIOR

HORIZONTAL CROSS SECTION
DOOR INSTALLATION - 2X BUCK/WOOD FRAMING

- NOTES:**
1. INTERIOR AND EXTERIOR FINISHES, BY OTHERS, NOT SHOWN FOR CLARITY.
 2. PERIMETER AND JOINT SEALANT BY OTHERS TO BE DESIGNED IN ACCORDANCE WITH ASTM E2112

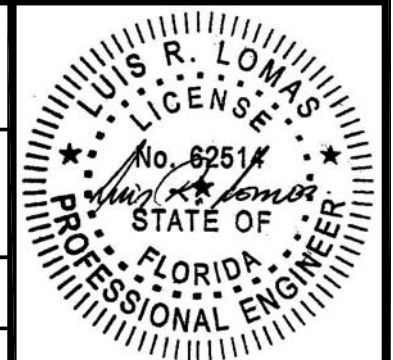
PROVIA, LLC.
2150 STATE ROUTE 39 WEST
SUGARCREEK, OH 44681

STEEL/FIBERGLASS INSWING OPAQUE DOUBLE DOOR
W/TRANSOM NON-IMPACT
INSTALLATION DETAILS W/FUSION FRAME

| | | |
|----------------|---------------------|------------------|
| DRAWN: N.G. | DWG NO. 08-02086 | REV G |
| SCALE NTS | DATE 06/20/13 | SHEET 6 OF 12 |

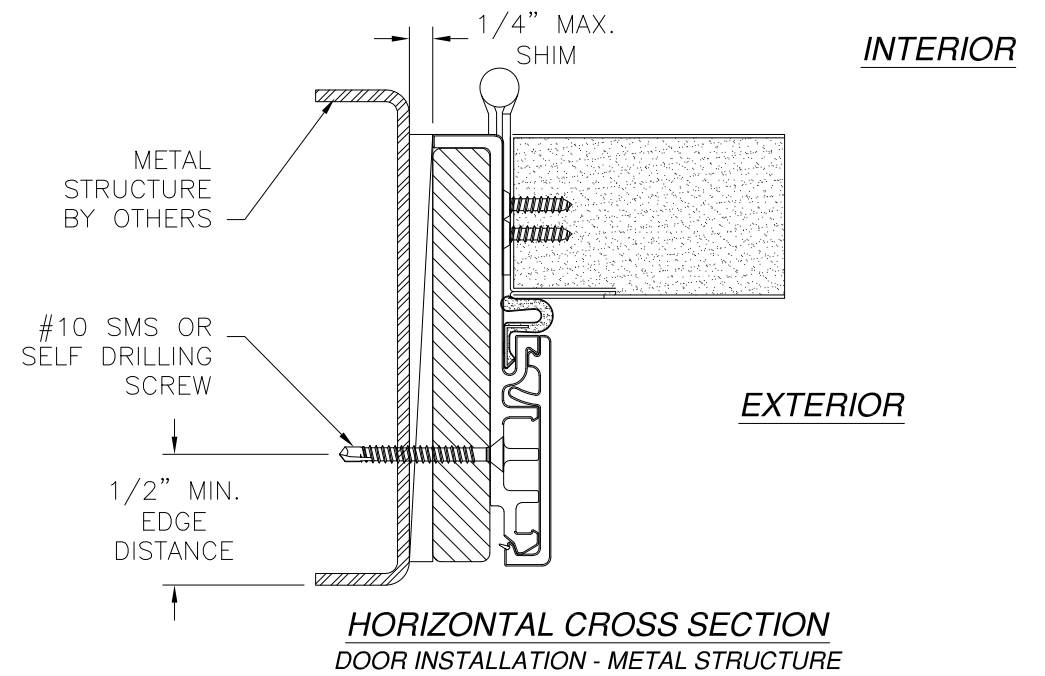
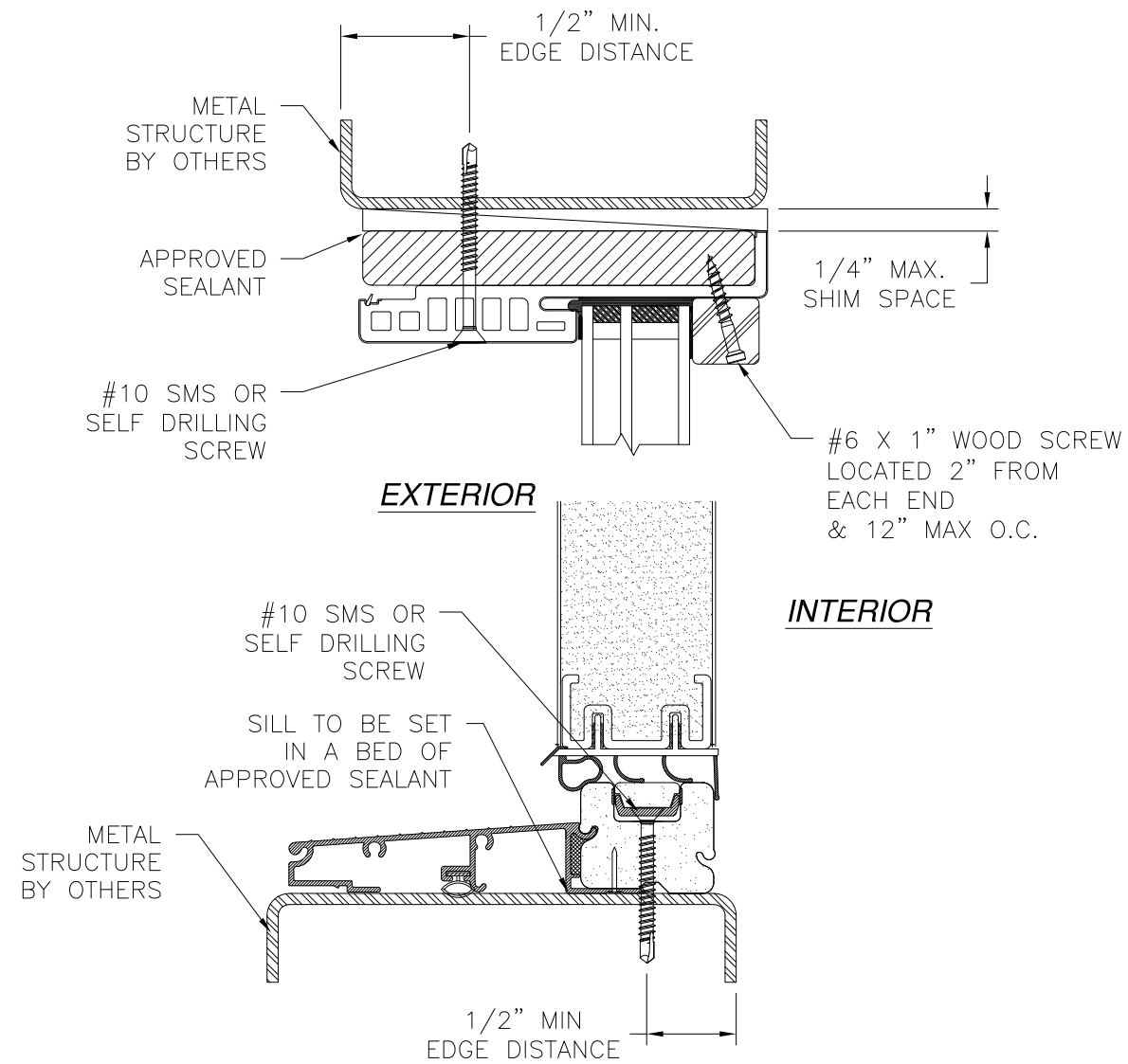
L. ROBERTO LOMAS P.E.
1432 WOODFORD RD LEWISVILLE, NC 27023
434-688-0609 rllomas@lrlomaspe.com

SIGNED: 02/04/2021



Luis R. Lomas P.E.
FL No.: 62514

| REVISIONS | | | |
|-----------|----------------------|------------|----------|
| REV | DESCRIPTION | DATE | APPROVED |
| G | REVISED SLAB OPTIONS | 02/04/2021 | R.L. |



VERTICAL CROSS SECTION
DOOR AND TRANSOM INSTALLATION - METAL STRUCTURE
TRANSOM HEAD SHOWN
TRANSOM JAMB SIMILAR

HORIZONTAL CROSS SECTION
DOOR INSTALLATION - METAL STRUCTURE

NOTES:

1. INTERIOR AND EXTERIOR FINISHES, BY OTHERS, NOT SHOWN FOR CLARITY.
2. PERIMETER AND JOINT SEALANT BY OTHERS TO BE DESIGNED IN ACCORDANCE WITH ASTM E2112

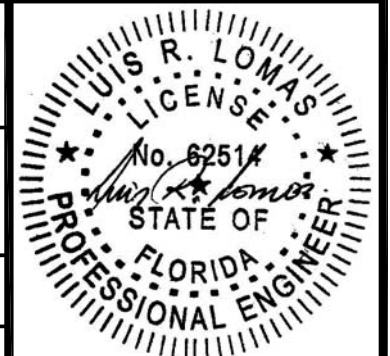
SIGNED: 02/04/2021

PROVIA, LLC.
2150 STATE ROUTE 39 WEST
SUGARCREEK, OH 44681

STEEL/FIBERGLASS INSWING OPAQUE DOUBLE DOOR
W/TRANSOM NON-IMPACT
INSTALLATION DETAILS W/FUSION FRAME

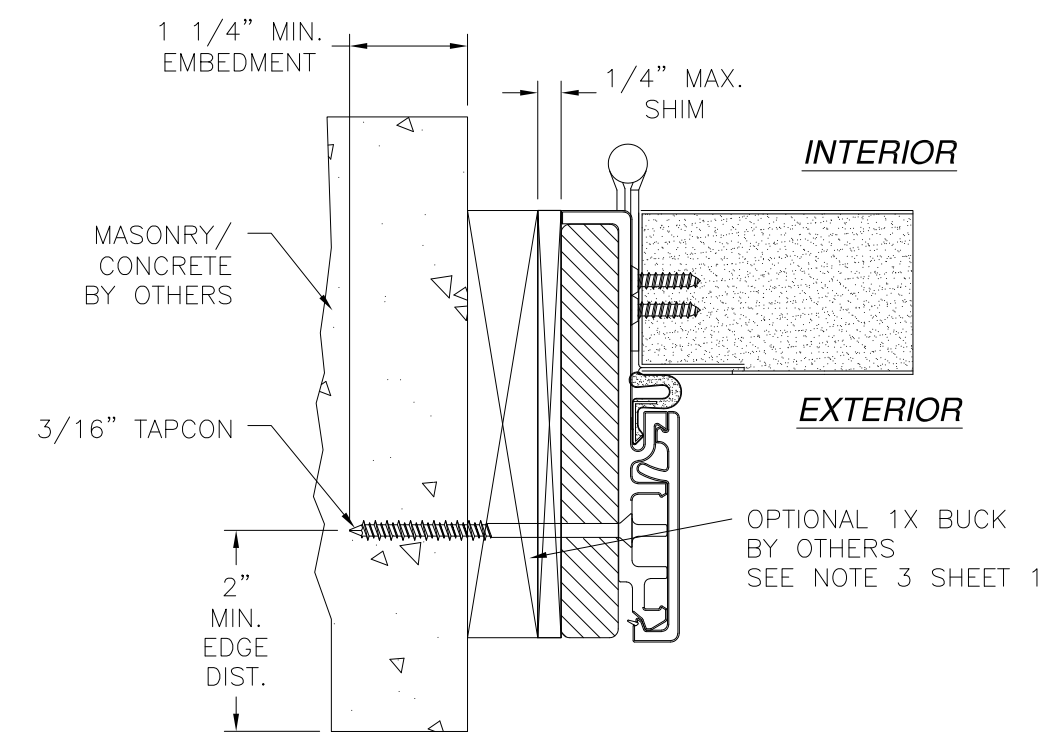
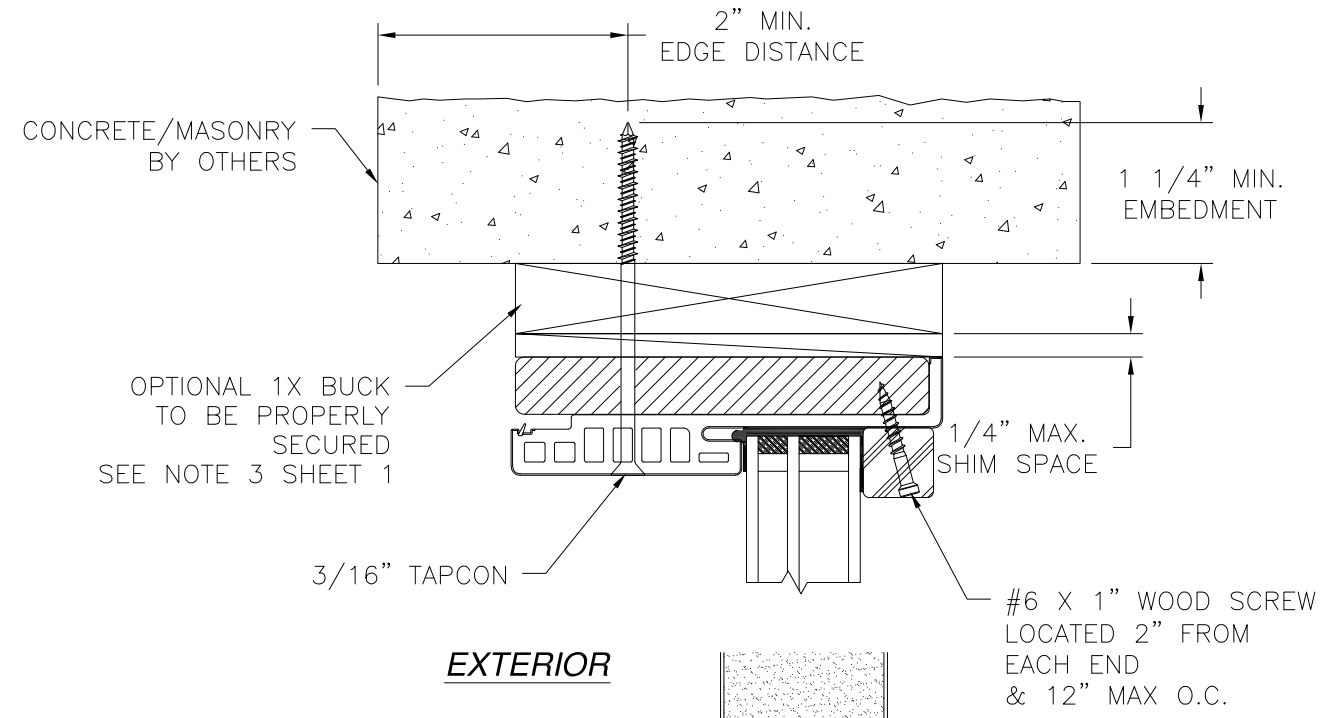
| | | |
|----------------|---------------------|------------------|
| DRAWN: N.G. | DWG NO. 08-02086 | REV G |
| SCALE NTS | DATE 06/20/13 | SHEET 7 OF 12 |

L. ROBERTO LOMAS P.E.
1432 WOODFORD RD LEWISVILLE, NC 27023
434-688-0609 rllomas@rlomaspe.com

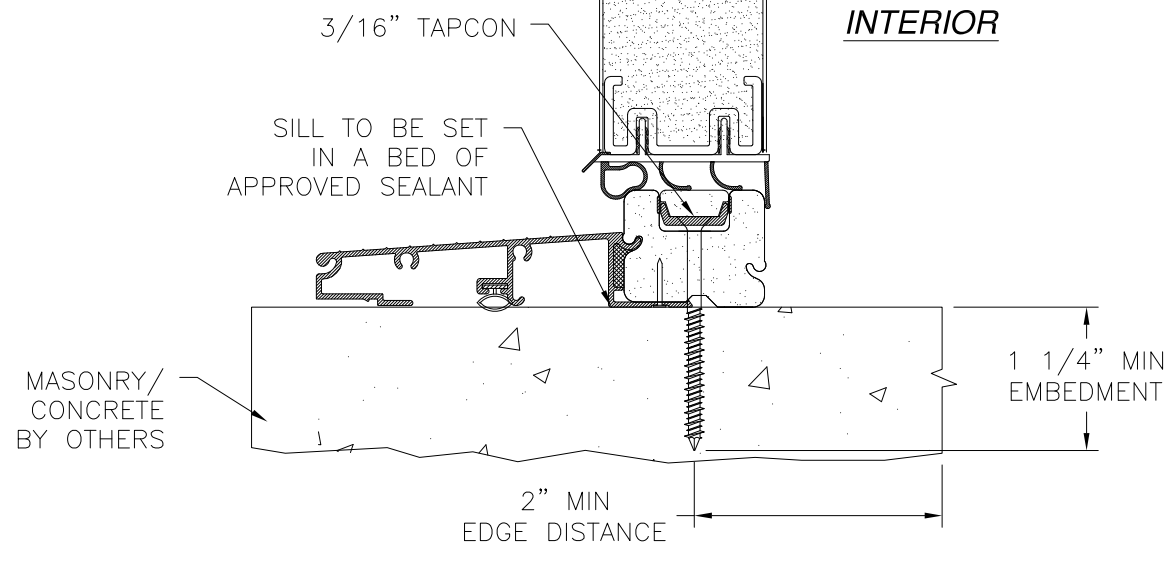


Luis R. Lomas P.E.
FL No.: 62514

| REVISIONS | | | |
|-----------|----------------------|------------|----------|
| REV | DESCRIPTION | DATE | APPROVED |
| G | REVISED SLAB OPTIONS | 02/04/2021 | R.L. |



HORIZONTAL CROSS SECTION
DOOR INSTALLATION CONCRETE/MASONRY



VERTICAL CROSS SECTION
DOOR AND TRANSOM INSTALLATION MASONRY/CONCRETE
TRANSOM HEAD SHOWN
TRANSOM JAMB SIMILAR

- NOTES:
1. INTERIOR AND EXTERIOR FINISHES, BY OTHERS, NOT SHOWN FOR CLARITY.
 2. PERIMETER AND JOINT SEALANT BY OTHERS TO BE DESIGNED IN ACCORDANCE WITH ASTM E2112

SIGNED: 02/04/2021

PROVIA, LLC.
2150 STATE ROUTE 39 WEST
SUGARCREEK, OH 44681

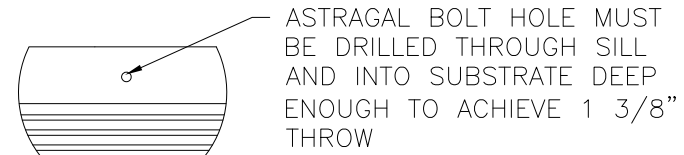
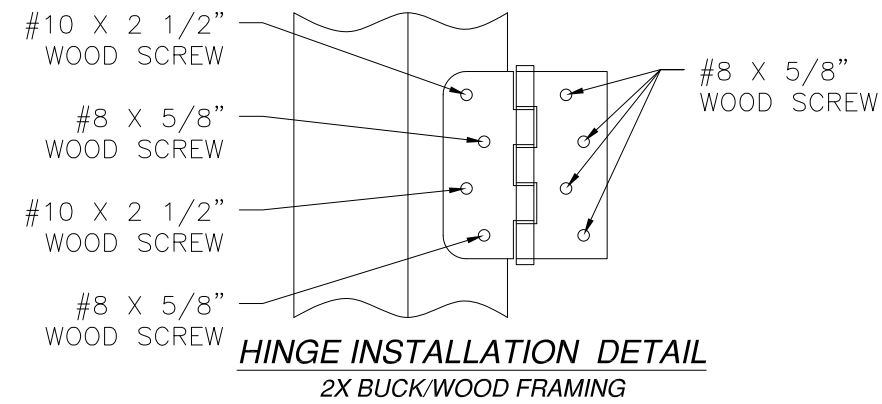
STEEL/FIBERGLASS INSWING OPAQUE DOUBLE DOOR
W/TRANSOM NON-IMPACT
INSTALLATION DETAILS W/FUSION FRAME

| | | |
|----------------|---------------------|------------------|
| DRAWN: N.G. | DWG NO. 08-02086 | REV G |
| SCALE NTS | DATE 06/20/13 | SHEET 8 OF 12 |

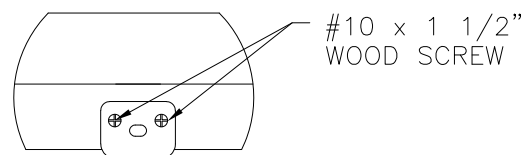
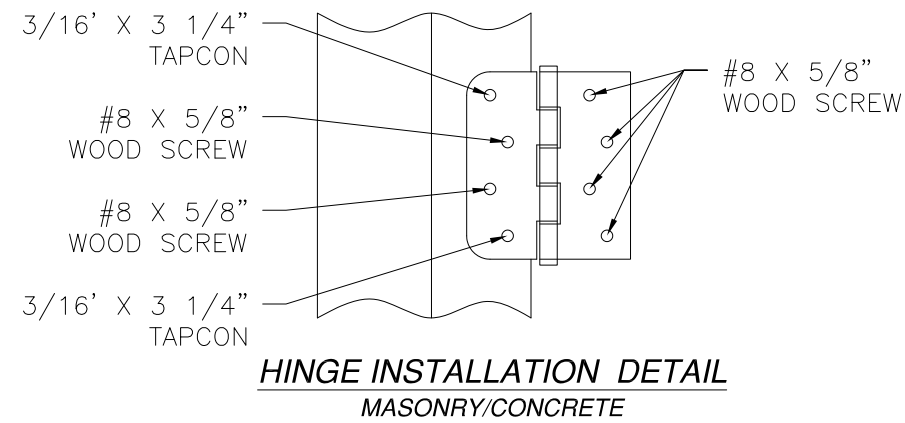
L. ROBERTO LOMAS P.E.
1432 WOODFORD RD LEWISVILLE, NC 27023
434-688-0609 rllomas@rlomaspe.com

Luis R. Lomas P.E.
FL No.: 62514

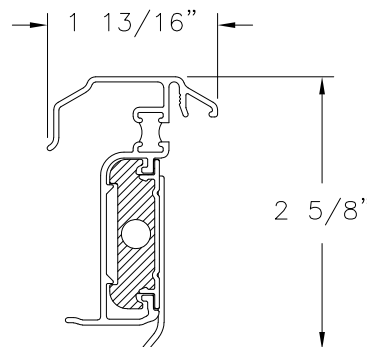
| REVISIONS | | | |
|-----------|----------------------|------------|----------|
| REV | DESCRIPTION | DATE | APPROVED |
| G | REVISED SLAB OPTIONS | 02/04/2021 | R.L. |



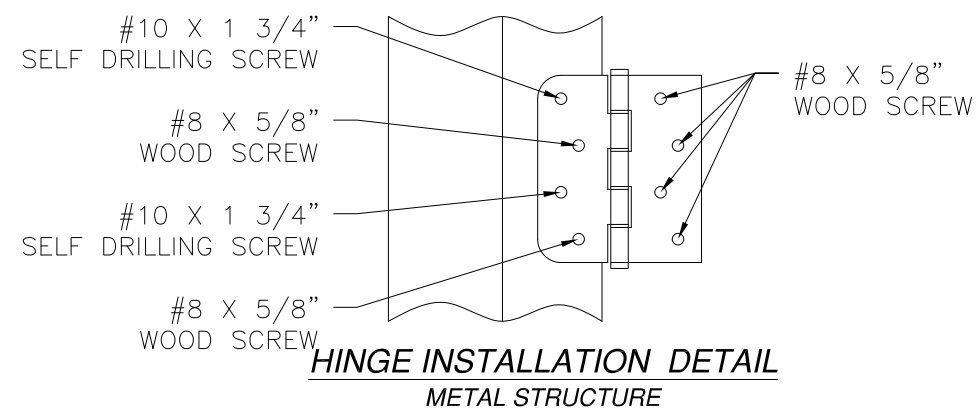
ASTRAGAL SILL DETAIL



ASTRAGAL HEAD STRIKE DETAIL
2X BUCK/WOOD FRAMING

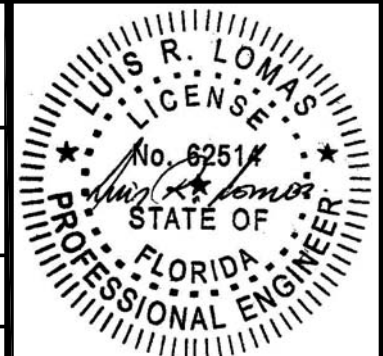


HURRICANE ASTRAGAL DETAIL



SIGNED: 02/04/2021

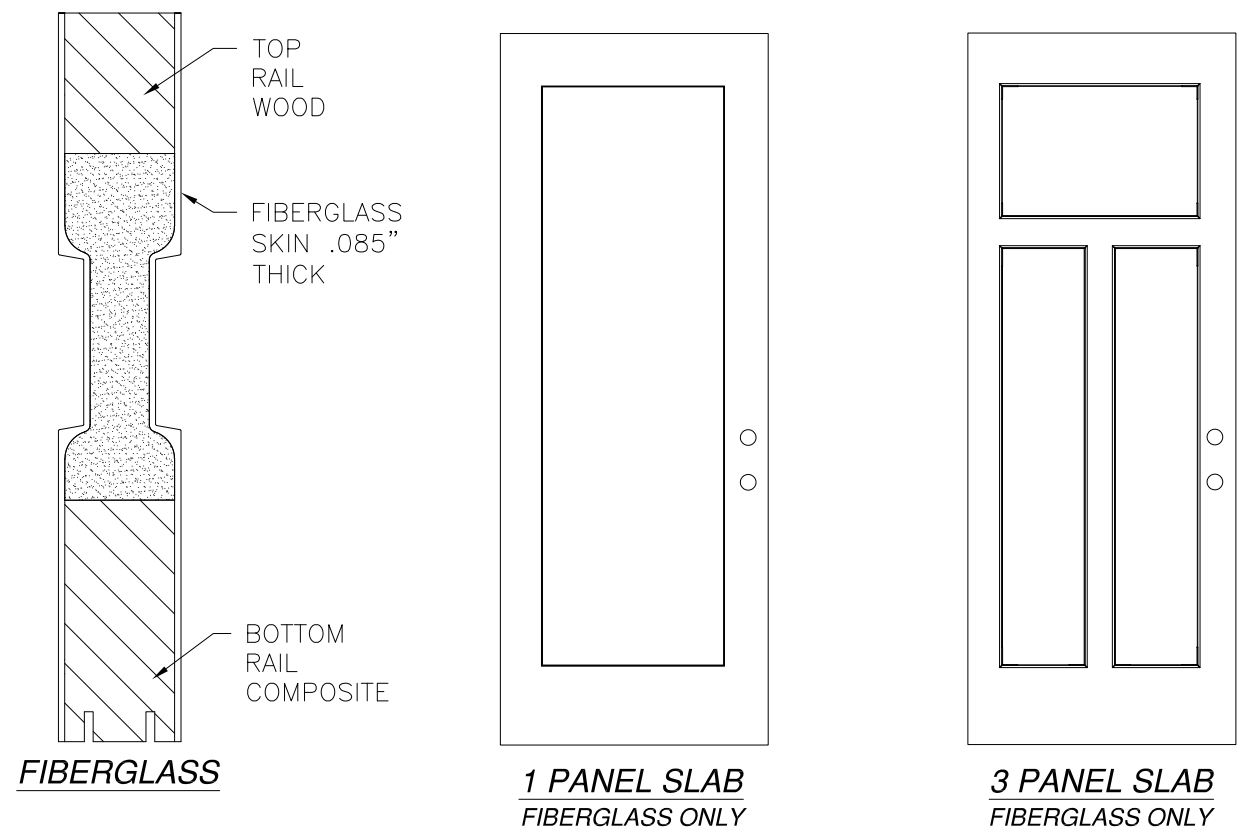
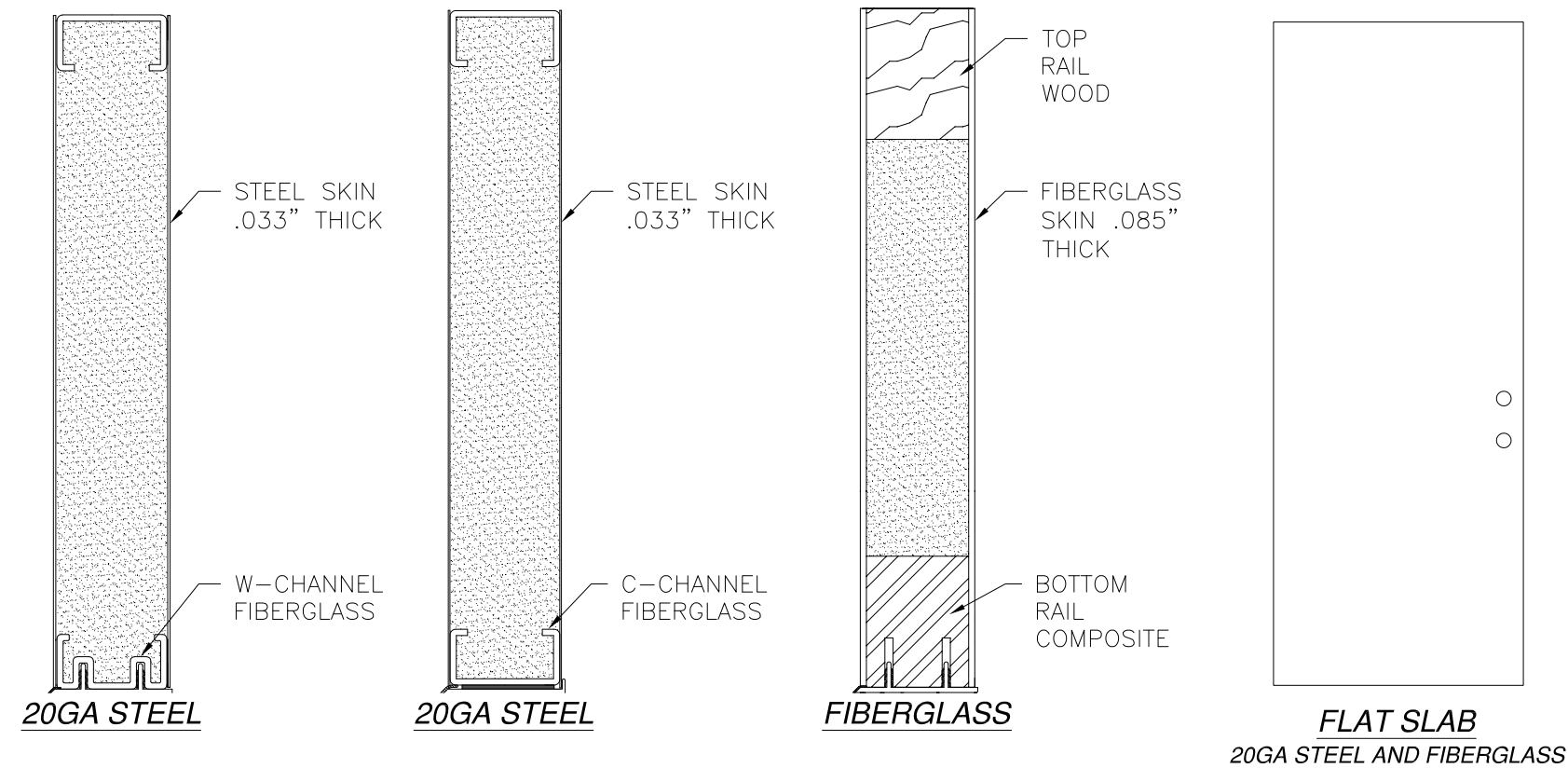
| | | |
|---|---------------------|------------------|
| PROVIA, LLC. 2150 STATE ROUTE 39 WEST SUGARCREEK, OH 44681 | | |
| STEEL/FIBERGLASS INSWING OPAQUE DOUBLE DOOR W/TRANSOM NON-IMPACT COMPONENTS DETAILS | | |
| DRAWN: N.G. | DWG NO. 08-02086 | REV G |
| SCALE NTS | DATE 06/20/13 | SHEET 9 OF 12 |
| L. ROBERTO LOMAS P.E. 1432 WOODFORD RD LEWISVILLE, NC 27023 434-688-0609 rllomas@rlomaspe.com | | |



Luis R. Lomas P.E.
FL No.: 62514

APPROVED DOOR SLABS AND CROSS SECTIONS

| REVISIONS | | | |
|-----------|----------------------|------------|----------|
| REV | DESCRIPTION | DATE | APPROVED |
| G | REVISED SLAB OPTIONS | 02/04/2021 | R.L. |



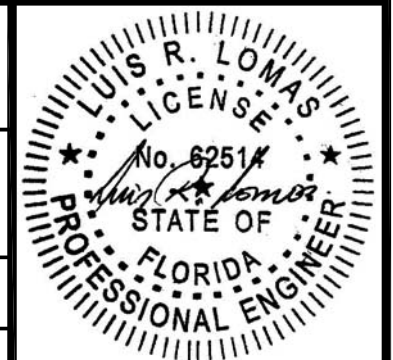
PROVIA, LLC.
2150 STATE ROUTE 39 WEST
SUGARCREEK, OH 44681

STEEL/FIBERGLASS INSWING OPAQUE DOUBLE DOOR
W/TRANSOM NON-IMPACT
SLAB OPTIONS

| | | |
|----------------|---------------------|----------------|
| DRAWN: N.G. | DWG NO. 08-02086 | REV G |
| SCALE NTS | DATE 06/20/13 | SHEET 10 OF 12 |

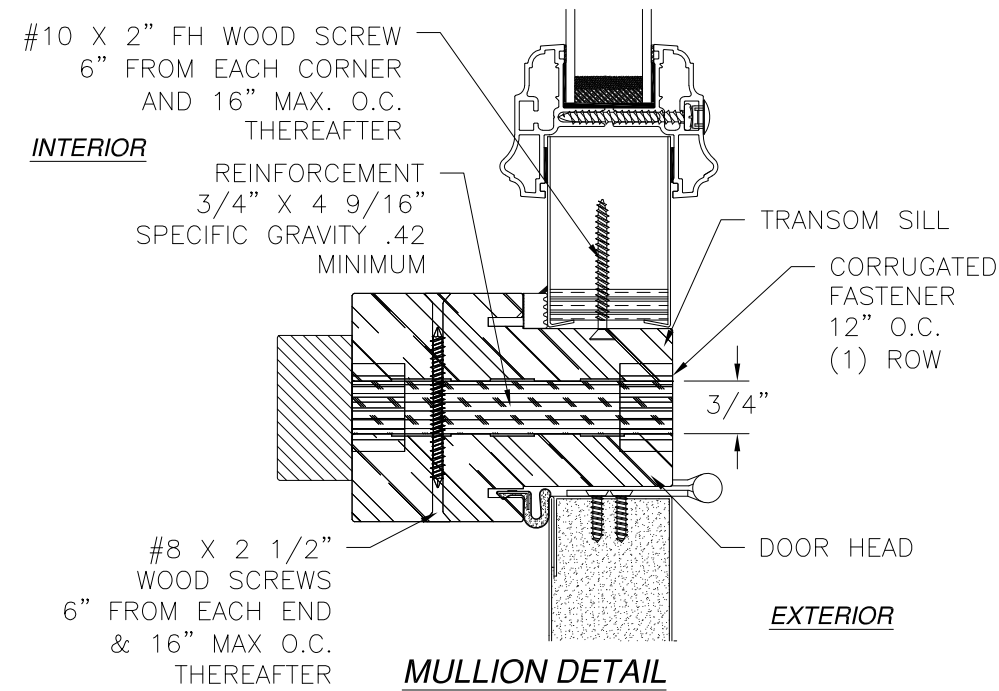
L. ROBERTO LOMAS P.E.
1432 WOODFORD RD LEWISVILLE, NC 27023
434-688-0609 rllomas@rlomaspe.com

SIGNED: 02/04/2021

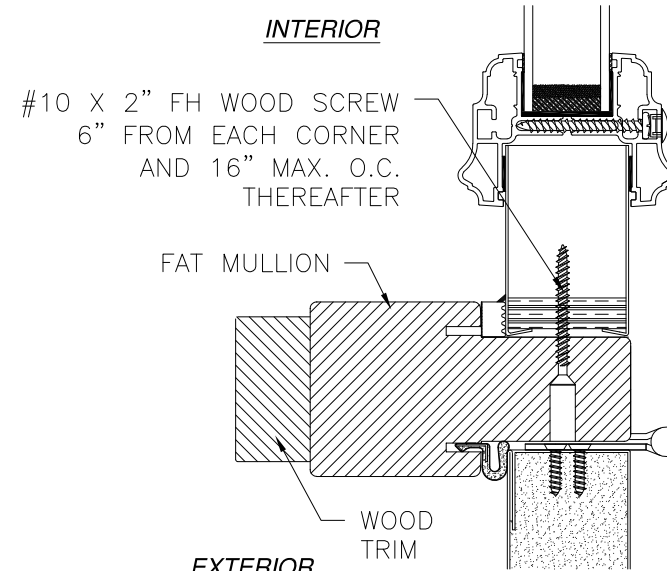


Luis R. Lomas P.E.
FL No.: 62514

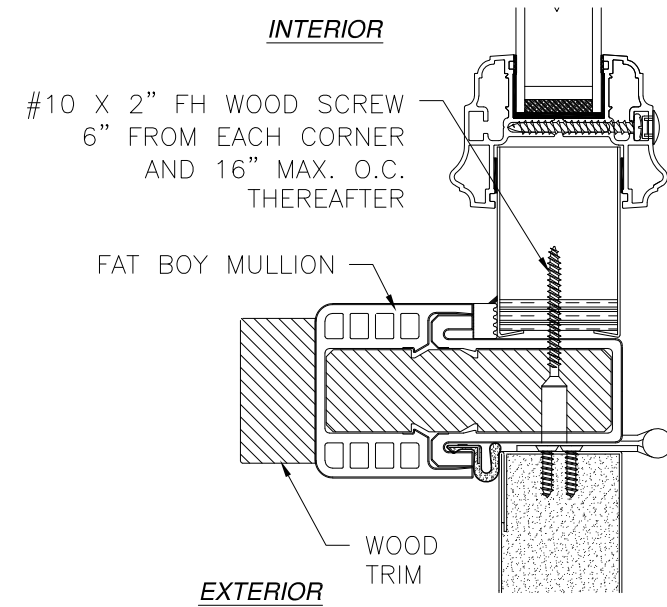
| REVISIONS | | | |
|-----------|----------------------|------------|----------|
| REV | DESCRIPTION | DATE | APPROVED |
| G | REVISED SLAB OPTIONS | 02/04/2021 | R.L. |



MULLION DETAIL
STANDARD FRAME SHOWN,
COMPOSITE AND FUSION FRAME SIMILAR



MULLION DETAIL
WITH FAT BOY MULLION



MULLION DETAIL
WITH HYBRID FAT BOY MULLION

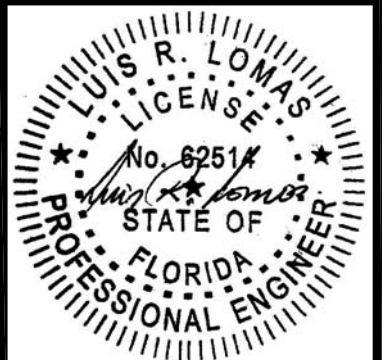
SIGNED: 02/04/2021

PROVIA, LLC.
2150 STATE ROUTE 39 WEST
SUGARCREEK, OH 44681

STEEL/FIBERGLASS INSWING OPAQUE DOUBLE DOOR
W/TRANSOM NON-IMPACT
MULLION DETAILS

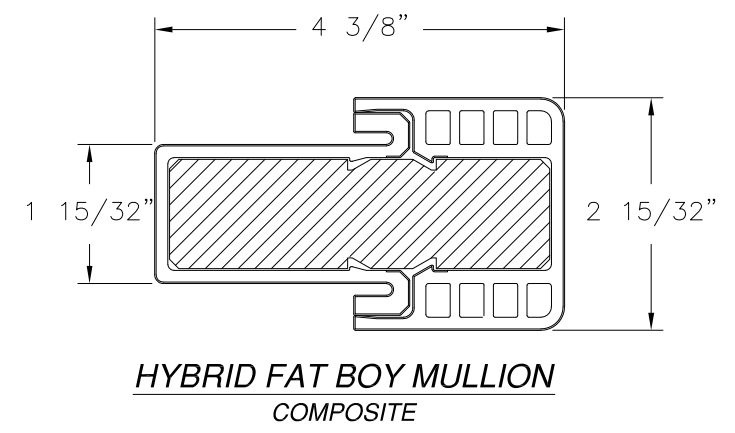
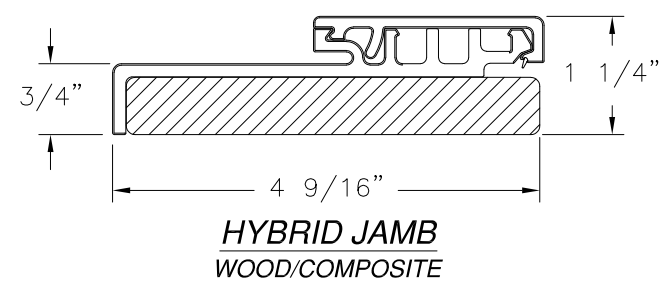
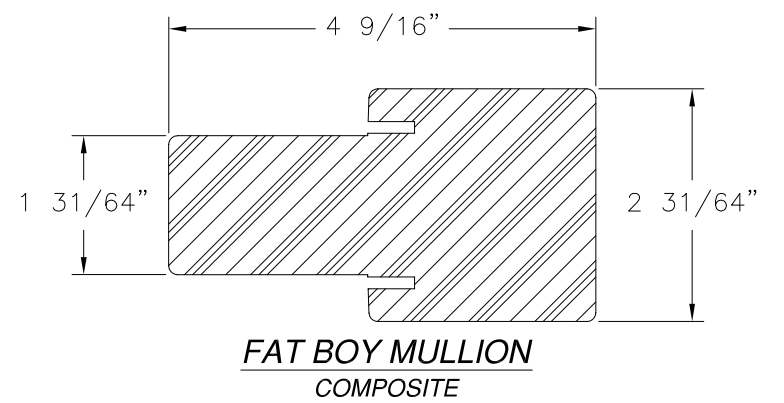
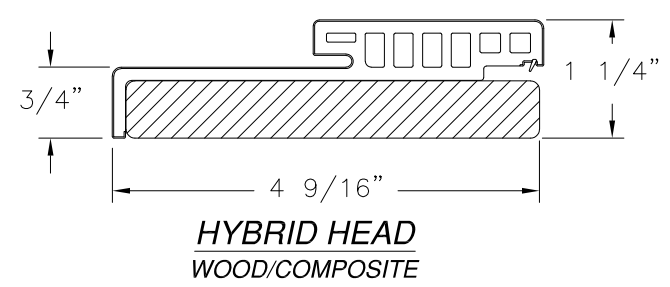
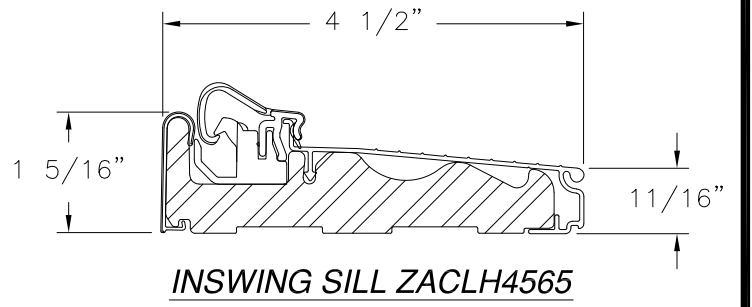
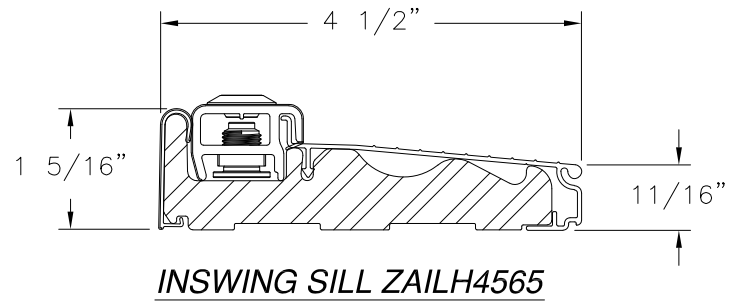
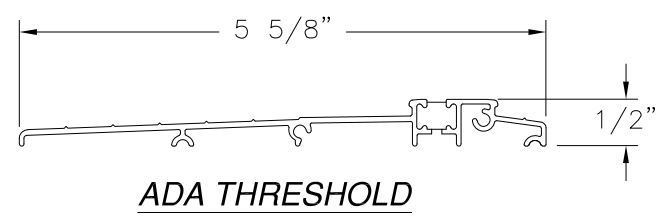
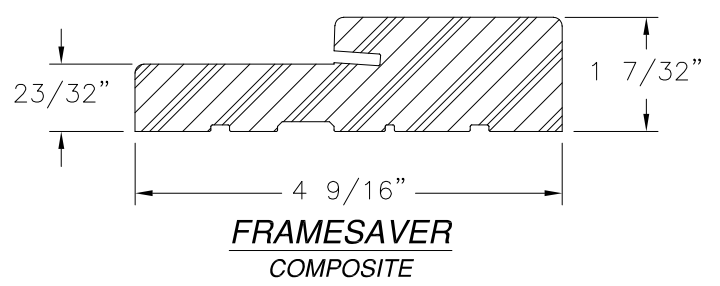
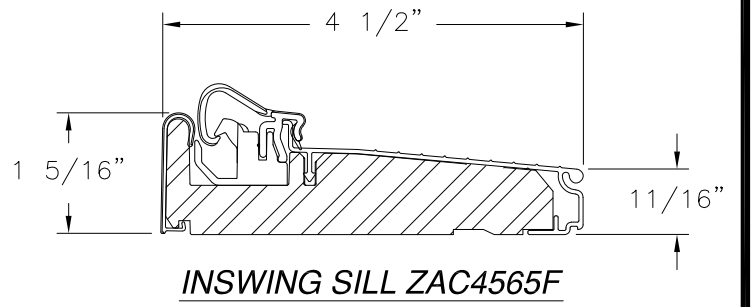
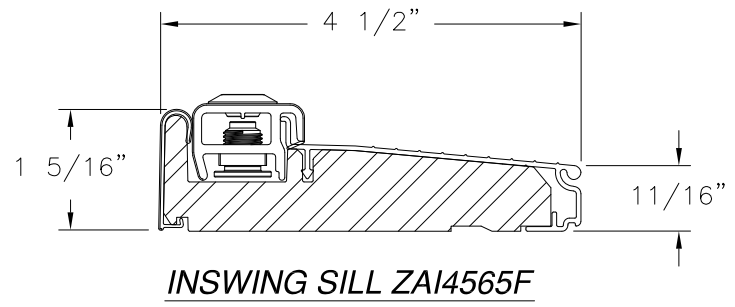
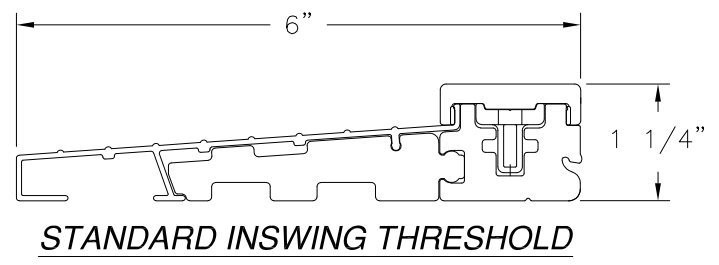
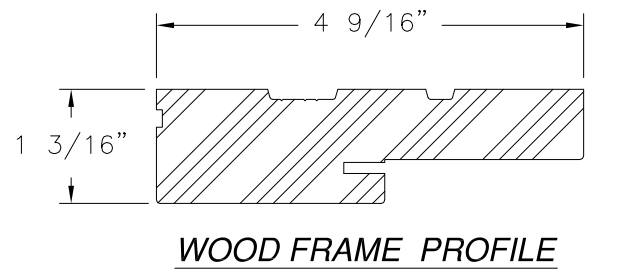
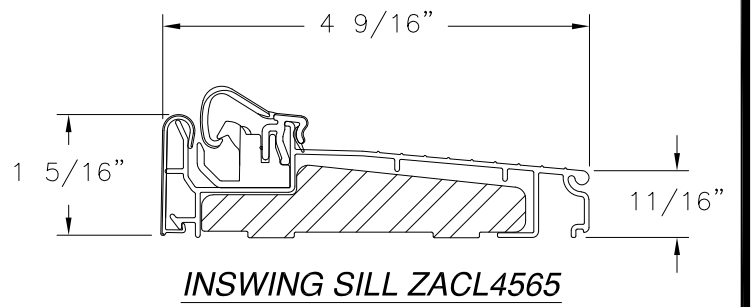
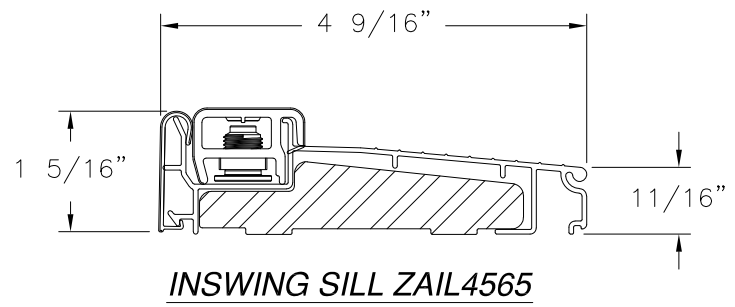
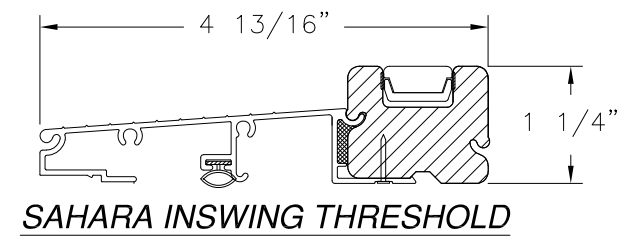
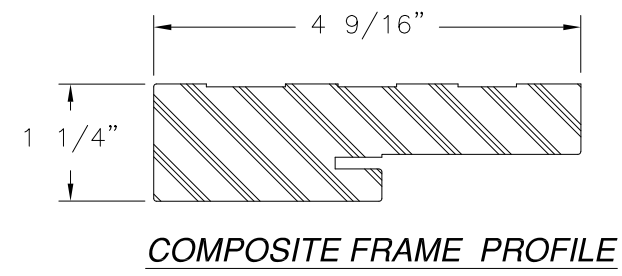
| | | |
|----------------|---------------------|-------------------|
| DRAWN: N.G. | DWG NO. 08-02086 | REV G |
| SCALE NTS | DATE 06/20/13 | SHEET 11 OF 12 |

L. ROBERTO LOMAS P.E.
1432 WOODFORD RD LEWISVILLE, NC 27023
434-688-0609 rllomas@rlomaspe.com



Luis R. Lomas P.E.
FL No.: 62514

| REVISIONS | | | |
|-----------|----------------------|------------|----------|
| REV | DESCRIPTION | DATE | APPROVED |
| G | REVISED SLAB OPTIONS | 02/04/2021 | R.L. |



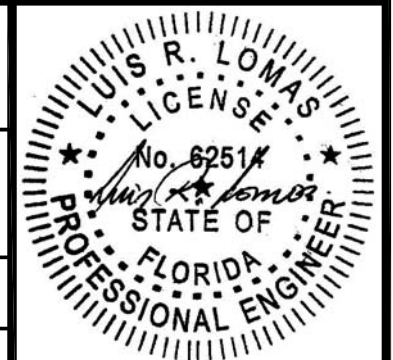
PROVIA, LLC.
 2150 STATE ROUTE 39 WEST
 SUGARCREEK, OH 44681

STEEL/FIBERGLASS INSWING OPAQUE DOUBLE DOOR
 W/TRANSOM NON-IMPACT
 COMPONENTS

| | | |
|----------------|---------------------|-------------------|
| DRAWN: N.G. | DWG NO. 08-02086 | REV G |
| SCALE NTS | DATE 06/20/13 | SHEET 12 OF 12 |

L. ROBERTO LOMAS P.E.
 1432 WOODFORD RD LEWISVILLE, NC 27023
 434-688-0609 rllomas@rlomaspe.com

SIGNED: 02/04/2021



Luis R. Lomas P.E.
 FL No.: 62514