

# 0.050" ALUMINUM STORM PANEL

## FOR USE OUTSIDE THE HVHZ

VISIT [ECALC.IO/26144](http://ECALC.IO/26144)

FOR SITE SPECIFIC DEVIATIONS  
& MORE INFORMATION ABOUT THIS DOCUMENT  
OR SCAN THIS QR CODE

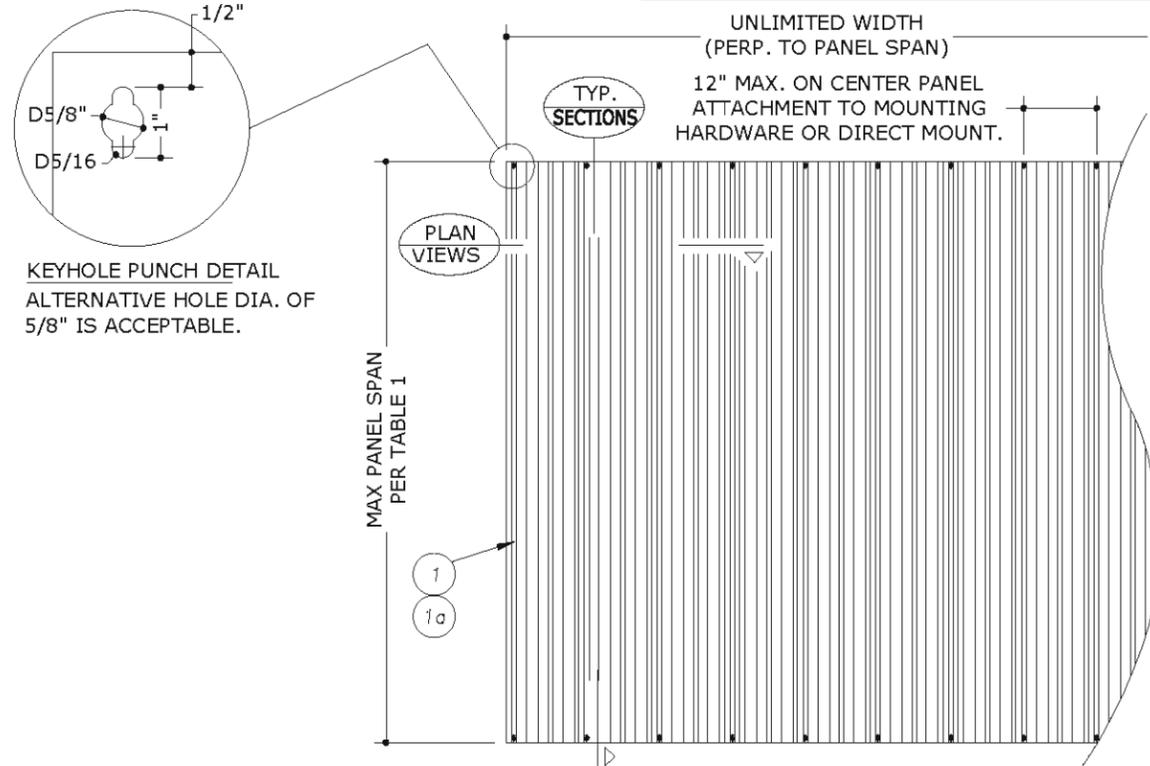
VISIT [ENGINEERINGEXPRESS.COM/STORE](http://ENGINEERINGEXPRESS.COM/STORE)  
FOR ADDITIONAL PLANS, REPORTS & RESOURCES



FRANK BENNARDO, PE  
PE# 0046549 CA#9885



**ENGINEERING EXPRESS**  
CORPORATE OFFICE:  
160 SW 12th AVE, SUITE 106  
DEERFIELD BEACH, FL 33442  
(954) 354-0660 | (866) 996-9999  
TEAM@ENGINEERINGEXPRESS.COM  
ENGINEERINGEXPRESS.COM



NOTE: TOP MAY BE SLOPED OR RADIUS TO MATCH GEOMETRY OF OPENING. MOUNTING HARDWARE MUST BE ROLL-FORMED TO THE RADIUS; NO NOTCHING OF MOUNTING HARDWARE TO ACHIEVE SHAPES IS ALLOWED.



**TABLE 1**  
ALLOWABLE SPAN SCHEDULE (WITH ALUMINUM PANELS ONLY)

PANEL SPAN	ALLOWABLE DESIGN PRESSURE
144"	+ 33.0 PSF - 35.0 PSF
138"	+ 35.9 PSF - 38.1 PSF
132"	+ 39.3 PSF - 41.7 PSF
126"	+ 43.1 PSF - 45.7 PSF
120"	+ 47.5 PSF - 50.4 PSF
114"	+ 52.7 PSF - 55.8 PSF
108"	+ 58.7 PSF - 62.2 PSF
102"	+ 65.8 PSF - 69.8 PSF
96"	+ 74.3 PSF - 75.0 PSF
90"	+ 80.0 PSF - 80.0 PSF
84"	+ 85.7 PSF - 85.7 PSF
78"	+ 92.3 PSF - 92.3 PSF
72"	+ 100.0 PSF - 100.0 PSF
66"	+ 109.1 PSF - 109.1 PSF
60"	+ 120.0 PSF - 120.0 PSF

**TABLE 1 NOTES:**

- LINEAR INTERPOLATION BETWEEN SHUTTER SPANS IS NOT PERMITTED. FOR SPANS BETWEEN THOSE INDICATED ABOVE, THE DESIGN PRESSURES FOR THE NEXT HIGHER SPAN SHALL BE USED.
- DESIGN PRESSURES NOTED IN TABLE 1 APPLY TO ALL MOUNTING AND ANCHORAGE CONDITIONS AND SHALL NOT BE EXCEEDED.

**TABLE 2**  
MINIMUM GLAZING SEPARATION WITH ALUMINUM PANELS ONLY

PANEL SPAN	INSTALLATIONS ≤ 30' ABOVE GRADE	INSTALLATIONS > 30' ABOVE GRADE
144"	6.4"	3.9"
138"	6.4"	3.8"
132"	6.4"	3.7"
126"	6.4"	3.5"
120"	6.4"	3.4"
114"	6.4"	3.3"
108"	6.4"	3.1"
96"	3.5"	2.9"
90"	3.5"	2.6"
84"	3.5"	2.4"
78"	3.5"	2.2"
72"	3.5"	2.0"
66"	3.5"	1.8"
60"	3.5"	1.7"

**TABLE 2 NOTES:**

- SEPARATION FROM GLAZING IS REQUIRED **ONLY** IN WIND ZONE 4 UNLESS LOCAL AUTHORITY ADOPTS ADDITIONAL CRITERIA.
- LINEAR INTERPOLATION BETWEEN SHUTTER SPANS IS NOT PERMITTED. FOR SPANS BETWEEN THOSE INDICATED ABOVE, THE SEPARATION FROM GLASS FOR THE NEXT HIGHER SPAN SHALL BE USED.

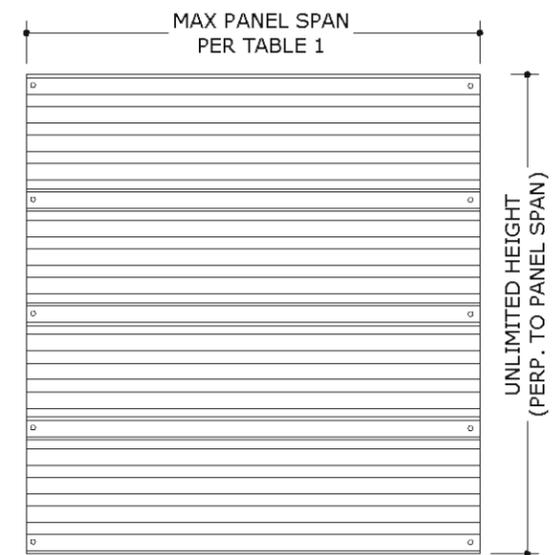
### GENERAL NOTES

1. THE SYSTEM DESCRIBED HEREIN HAS BEEN DESIGNED AND TESTED IN ACCORDANCE WITH THE FLORIDA BUILDING CODE SEVENTH EDITION (2020), THE INTERNATIONAL BUILDING CODE (IBC) AND THE INTERNATIONAL RESIDENTIAL CODE (IRC) FOR USE OUTSIDE THE HIGH VELOCITY HURRICANE ZONE. SEE PRODUCT EVALUATION REPORT FOR ADDITIONAL INFORMATION.
2. NO 33-1/3% INCREASE IN ALLOWABLE STRESS HAS BEEN USED IN THE DESIGN OF THIS SYSTEM. WIND LOAD DURATION FACTOR Cd=1.6 HAS BEEN USED FOR WOOD ANCHOR DESIGN.
3. POSITIVE AND NEGATIVE DESIGN PRESSURES CALCULATED FOR USE WITH THIS SYSTEM SHALL BE DETERMINED PER SEPARATE ENGINEERING IN ACCORDANCE WITH THE GOVERNING CODE. PRESSURE REQUIREMENTS AS DETERMINED IN ACCORDANCE WITH ASCE 7 AND CHAPTER 1609 OF THE FLORIDA BUILDING CODE SEVENTH EDITION (2020) SHALL BE LESS THAN OR EQUAL TO THE POSITIVE OR NEGATIVE DESIGN PRESSURE CAPACITY VALUES LISTED HEREIN FOR ANY ASSEMBLY AS SHOWN.
4. DESIGN PRESSURES NOTED HEREIN ARE BASED ON MAXIMUM TESTED PRESSURES DIVIDED BY A 1.5 SAFETY FACTOR.
5. THIS SYSTEM HAS BEEN DESIGNED WITH NO SEPARATION FROM GLAZING REQUIRED FOR WIND ZONES 1-3, IN ACCORDANCE WITH ASTM E1996. IT IS ACCEPTABLE BY CODE UNLESS OPTIONAL CRITERIA IS INDEPENDENTLY ADOPTED BY THE AUTHORITY HAVING JURISDICTION.
6. THE SYSTEM DETAILED HEREIN IS GENERIC AND DOES NOT PROVIDE INFORMATION FOR A SPECIFIC SITE. FOR SITE CONDITIONS DIFFERENT FROM THE CONDITIONS DETAILED HEREIN, A LICENSED ENGINEER OR REGISTERED ARCHITECT SHALL PREPARE SITE SPECIFIC DOCUMENTS FOR USE IN CONJUNCTION WITH THIS DOCUMENT.
7. THESE INSTALLATION INSTRUCTIONS ARE PART OF A PRODUCT APPROVAL EVALUATION AND SHALL ONLY BE USED IN CONJUNCTION WITH THE EVALUATION REPORT SUBMITTED FOR THE SAME PRODUCT APPROVAL. USE OF THESE APPROVAL DOCUMENTS SHALL COMPLY WITH CHAPTER 61G15 OF THE FLORIDA ADMINISTRATIVE CODE
8. PERMIT HOLDER SHALL VERIFY THE ADEQUACY OF THE EXISTING STRUCTURE TO WITHSTAND SUPERIMPOSED LOADS. BRICK VENEER PER ASTM C62 (BY OTHERS) SHALL BE ANCHORED PROPERLY TO TRANSFER ANY APPLICABLE LOADS TO THE EXISTING HOST STRUCTURE.
9. ALUMINUM STORM PANELS SHALL BE 5052-H32 OR 3004-H34 ALUMINUM ALLOY, TESTED THICKNESS 0.0495".
10. ALL POLYCARBONATE PANELS SHALL BE MANUFACTURED BY TRANSPARENT PROTECTION SYSTEMS, Inc.
11. ALL POLYCARB PANELS SHALL BE EXTRUDED WITH THICKNESS t=0.100" (±0.010") AND SHALL BE MANUFACTURED FROM 100% SYNTHETIC THERMOPLASTIC POLYMER RESIN (UV STABILIZED). TYPICAL TENSILE STRENGTH Fy=8,908 KSI, FLEXURAL STRENGTH Fby=12.90 KSI, & FLEXURAL MODULUS IS 328.7 KSI
12. ALL EXTRUSIONS SHALL BE 6063-T6 ALUMINUM ALLOY, UNLESS NOTED OTHERWISE. ALL TOLERANCES SHALL BE IN ACCORDANCE WITH ADM 2015.
13. TOP & BOTTOM DETAILS SHOWN MAY BE INTERCHANGED AS FIELD CONDITIONS DICTATE. PANELS MAY BE MOUNTED VERTICALLY OR HORIZONTALLY AS APPLICABLE.
14. PANELS SHALL BE PERMANENTLY LABELED WITH LABELS SPACED NOT MORE THAN EVERY THREE LINEAL FEET PER PANEL AND SHALL FACE THE EXTERIOR AND CONTAIN AT LEAST THE FOLLOWING:  
**TOWN & COUNTRY INDUSTRIES**  
**FT. LAUDERDALE, FL**  
**ASTM E330, E1886, & E1996 9 LB MISSILE LEVEL D**  
**FLORIDA PRODUCT APPROVAL NUMBER**

15. ALL BOLTS & WASHERS SHALL BE ZINC COATED STEEL, GALVANIZED STEEL, STAINLESS STEEL, OR 2024-T6 ALUMINUM ALLOY WITH A MINIMUM TENSILE YIELD STRENGTH OF 33 KSI, UNLESS OTHERWISE NOTED HEREIN.
16. CONTRACTOR IS RESPONSIBLE TO INSULATE OR PROTECT ALL MEMBERS FROM DISSIMILAR MATERIALS TO PREVENT ELECTROLYSIS.
17. SEALANT SHALL BE USED ON ANCHORS OR TRACKS WHEREVER WATER SEEPAGE IS POSSIBLE.

### ANCHOR NOTES:

1. ANCHORS SHALL BE INSTALLED IN ACCORDANCE WITH MANUFACTURERS' RECOMMENDATIONS.
2. WHERE ANCHORS FASTEN TO NARROW FACE OF STUD FRAMING, ANCHOR SHALL BE LOCATED IN CENTER OF NOMINAL 2x (MIN) WOOD STUD (i.e. 3/4" EDGE DISTANCE IS ACCEPTABLE FOR ANCHORS TO WOOD FRAMING).
3. ALL CONCRETE ANCHORS SHALL BE INSTALLED TO NON-CRACKED CONCRETE ONLY.
4. MINIMUM EMBEDMENT AND EDGE DISTANCE SHALL BE AS NOTED IN ANCHOR SCHEDULE. MINIMUM EMBEDMENT AND EDGE DISTANCE EXCLUDES STUCCO, FOAM, BRICK, AND OTHER WALL FINISHES.
5. ANCHOR SCHEDULE APPLIES TO ALL PRODUCTS CERTIFIED HEREIN, BUT ONLY PROVIDES MAXIMUM ALLOWABLE ANCHOR SPACING. MAXIMUM ALLOWABLE SPANS AND PRESSURES INDICATED IN SPAN SCHEDULE(S) SHALL APPLY.
6. WHERE EXISTING STRUCTURE IS WOOD FRAMING, EXISTING CONDITIONS MAY VARY. FIELD VERIFY THAT FASTENERS ARE INTO ADEQUATE WOOD FRAMING MEMBERS, NOT INTO PLYWOOD.
11. MACHINE SCREWS SHALL HAVE MINIMUM OF 1/2" ENGAGEMENT OF THREADS IN BASE ANCHOR AND MAY HAVE EITHER A PAN HEAD, TRUSS HEAD, OR WAFER HEAD ("SIDEWALK BOLT") U.N.O.
12. DESIGNATES ANCHOR CONDITIONS WHICH ARE NOT ACCEPTABLE FOR USE.
13. \* DESIGNATES ANCHORS WHICH ARE REMOVABLE AND MAY BE USED FOR DIRECT MOUNT INSTALLATIONS.
14. WHEN ANCHORING TO HOLLOW BLOCK, SDS DRILLS SHOULD NOT BE USED TO DRILL INTO HOLLOW BLOCK, NOR SHOULD IMPACT DRILLS BE USED TO INSTALL CONCRETE SCREWS TO HOLLOW BLOCK



### 2 OPTIONAL HORIZONTAL MOUNT

1 N.T.S. EXTERIOR ELEV

**Town & Country**  
INDUSTRIES  
Wholesale Aluminum and Building Products  
A Division of APC Group, Co., Inc.  
400 WEST MCNAB ROAD  
FT. LAUDERDALE, FL 33309  
FL12856.1

REMARKS	DRWN	CHKD	DATE
INIT. ISSUE	KL	FLB	06/03/11
2010 FBC	CSL	KL	12/16/11
CLIENT REVISIONS	KL	FLB	10/25/13
2014 FBC (11-TCM-0003)	RWN	CSL	03/13/15
REV - 2017 FBC	RWN	FLB	07/31/17
2020 FBC UPDATE	CB	RWN	6/17/20

THIS DOCUMENT IS THE PROPERTY OF FRANK L. BENNARDO, P.E. AND SHALL NOT BE REPRODUCED IN WHOLE OR PART WITHOUT WRITTEN CONSENT OF FRANK L. BENNARDO, P.E. - ALTERATIONS, ADDITIONS, REVISIONS, OR OTHER MARKINGS TO THIS DOCUMENT ARE NOT PERMITTED AND INVALIDATE OUR CERTIFICATION.

COPYRIGHT FRANK L. BENNARDO P.E.

20-26144

SCALE: -

PAGE DESCRIPTION:

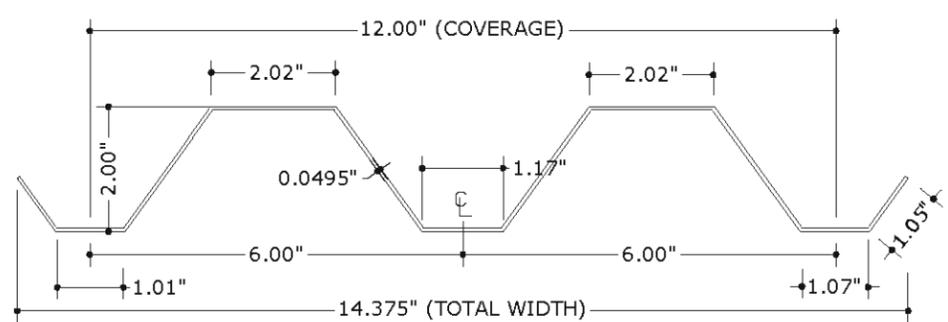
C:\Users\rickm\Engineering\Express\Production - Documents\Projects\20-26144 - 0.050 Aluminum Storm Panel\WP2020 FBC\20-26144.dwg - FL12856.1 - DWG.dwg

10/06/2020 - 4:54pm rickm

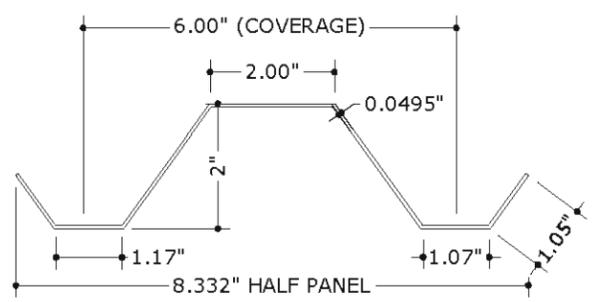


**ENGINEERING EXPRESS**  
CORPORATE OFFICE:  
160 SW 12th AVE, SUITE 106  
DEERFIELD BEACH, FL 33442  
(954) 354-0660 | (866) 396-9999  
TEAM@ENGINEERINGEXPRESS.COM  
ENGINEERINGEXPRESS.COM

**Town & Country INDUSTRIES**  
Wholesale Aluminum and Building Products  
A Division of AEC Group, Co., Inc.  
400 WEST MCNAB ROAD  
FT. LAUDERDALE, FL 33309  
FL12856.1

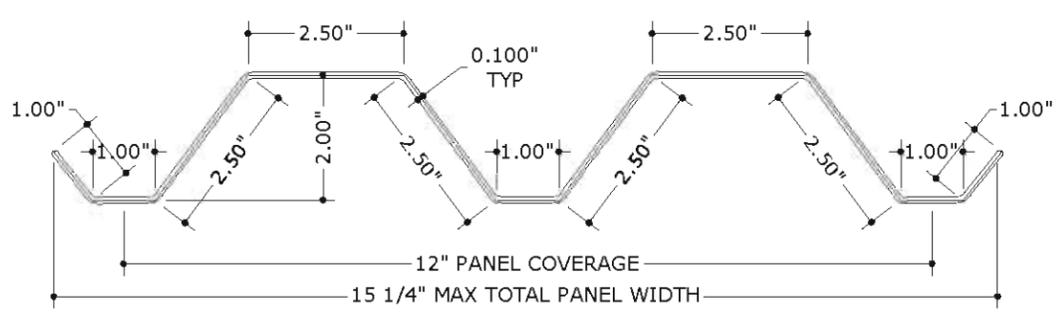


**1 ALUMINUM STORM PANEL**

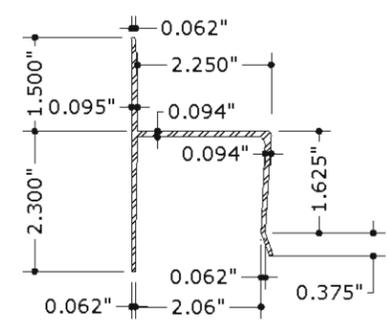


**1a ALUMINUM HALF STORM PANEL**

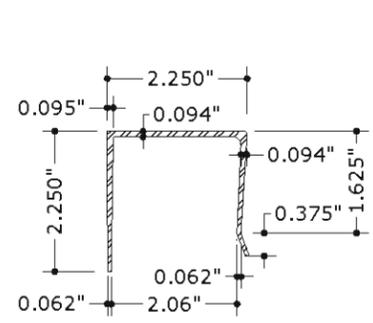
NOTE: HALF STORM PANEL SHALL ONLY BE USED AS AN END PANEL TO CLOSE THE REMAINING OPENING THAT MAY BE LESS THAN FULL PANEL WIDTH



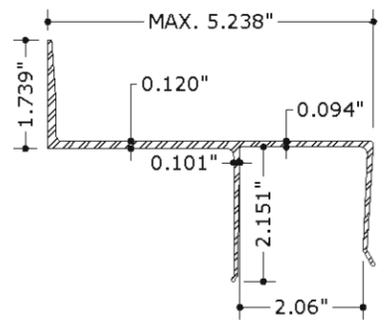
**1b POLYCARBONATE STORM PANEL**



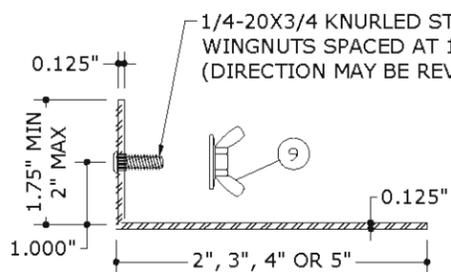
**2 H HEADER**



**3 U HEADER**

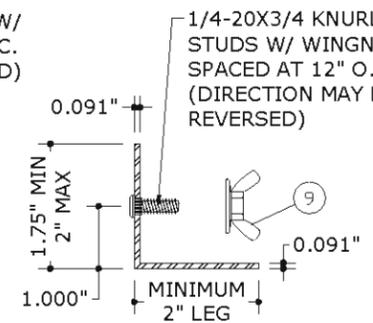


**3a BUILD-OUT U HEADER**



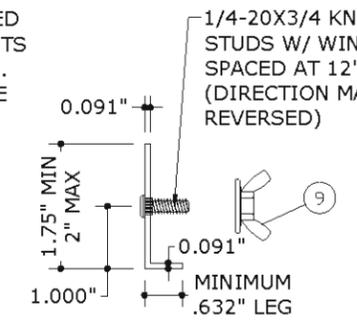
**4 STUD ANGLE**

SEE COMPONENT NOTES



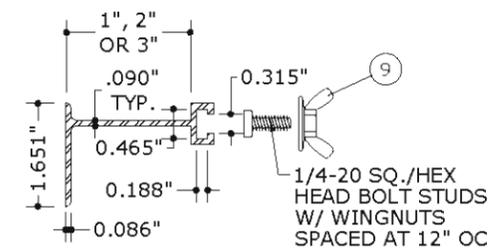
**4a STUD ANGLE**

SEE COMPONENT NOTES

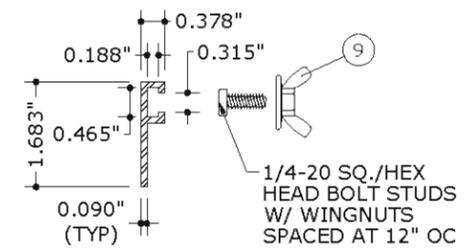


**4b STUD ANGLE**

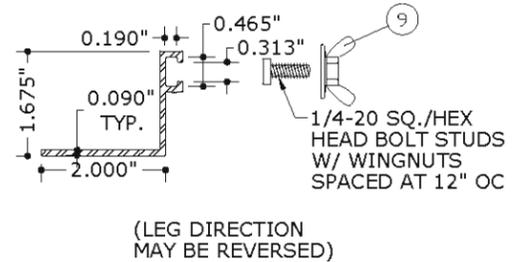
SEE COMPONENT NOTES



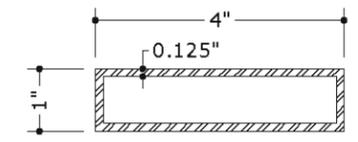
**7 BUILD-OUT F TRACK**



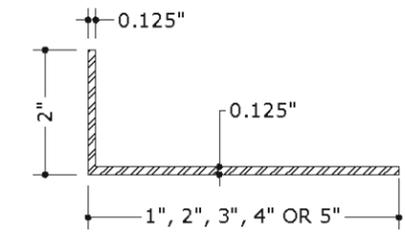
**8 F TRACK**



**8a F ANGLE TRACK**

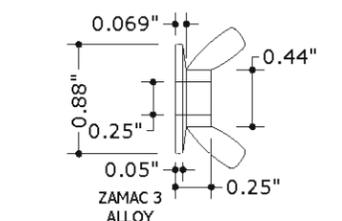


**6 TUBE**



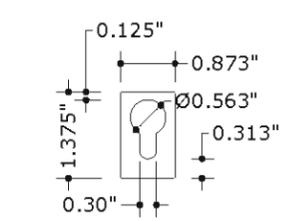
**5 ANGLE**

**COMPONENT NOTES**  
ANCHOR HEADS MUST NOT INTERFERE WITH INSTALLATION OF THE PANEL. THE FIRST AND LAST ANCHOR IN ALL TRACKS SHALL BE INSTALLED WITHIN THE FIRST 3\"/>



**9 WASHER WINGNUT**

NON-RECESSED FLAT SURFACE TYPE ONLY



**10 KEYHOLE WASHER**

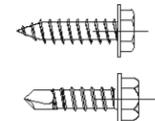
20 GA. GALV. STEEL (t=.038\"/>



**11 1/4-20 SQ./HEX HEAD BOLT**



**12 1/4-20 316 SS MACHINE BOLT W/NUT**



**13 #14x3/4 316 SS SDS/SMS SCREW**



**14 1/4-20 SIDEWALK BOLT**



**15 1/4-20 TRUSS HEAD BOLT**

REQUIRES USE OF KEYHOLE WASHER IN DIRECT MOUNT APPLICATIONS

REMARKS	DRWN	CHKD	DATE
INIT ISSUE	KL	FLB	06/03/11
2010 FBC	CSL	KL	12/16/11
CLIENT REVISIONS	KL	FLB	10/25/13
2014 FBC (11-TCM-003)	RWN	CSL	03/13/15
REV - 2017 FBC	RWN	FLB	07/31/17
2020 FBC UPDATE	CB	RWN	6/17/20

THIS DOCUMENT IS THE PROPERTY OF FRANK BENNARDO, P.E. AND SHALL NOT BE REPRODUCED IN WHOLE OR PART WITHOUT WRITTEN CONSENT OF FRANK BENNARDO, P.E. - ALTERATIONS, ADDITIONS, HIGHLIGHTING, OR OTHER MARKINGS TO THIS DOCUMENT ARE NOT PERMITTED AND INVALIDATE OUR CERTIFICATION.

COPYRIGHT FRANK BENNARDO P.E.

**20-26144**

SCALE: -

PAGE DESCRIPTION:

OF 10

C:\Users\rickn\Engineering\Express\Production - Documents\Projects\20-26144 - FL12856.1 - 0.050 Aluminum Storm Panel\WP\2020 FBC\20-26144.d - FL12856.1 - DWG.dwg  
10/06/2020 - 4:54pm  
rickn



**ENGINEERING EXPRESS**  
CORPORATE OFFICE:  
160 SW 12th AVE, SUITE 106  
DEERFIELD BEACH, FL 33442  
(954) 354-0660 | (866) 396-9999  
TEAM@ENGINEERINGEXPRESS.COM  
ENGINEERINGEXPRESS.COM

**Town & Country INDUSTRIES**  
Wholesale Aluminum and Building Products  
A Division of ABC Group, Co., Inc.  
400 WEST MCNAB ROAD  
FT. LAUDERDALE, FL 33309  
FL12856.1

REMARKS	DRWN	CHKD	DATE
INIT ISSUE	KL	FLB	06/03/11
2010 FBC	CSL	KL	12/16/11
CLIENT REVISIONS	KL	FLB	10/25/13
2014 FBC (11-TCIM-0003)	RWN	CSL	03/13/15
REV - 2017 FBC	RWN	FLB	07/31/17
2020 FBC UPDATE	CB	RWN	6/17/20

THIS DOCUMENT IS THE PROPERTY OF FRANK BENNARDO, PE AND SHALL NOT BE REPRODUCED IN WHOLE OR PART WITHOUT WRITTEN CONSENT OF FRANK BENNARDO, PE. - ALTERATIONS, ADDITIONS, REVISIONS, OR OTHER MARKINGS TO THIS DOCUMENT ARE NOT PERMITTED AND INVALIDATE OUR CERTIFICATION.

COPYRIGHT FRANK L. BENNARDO P.E.

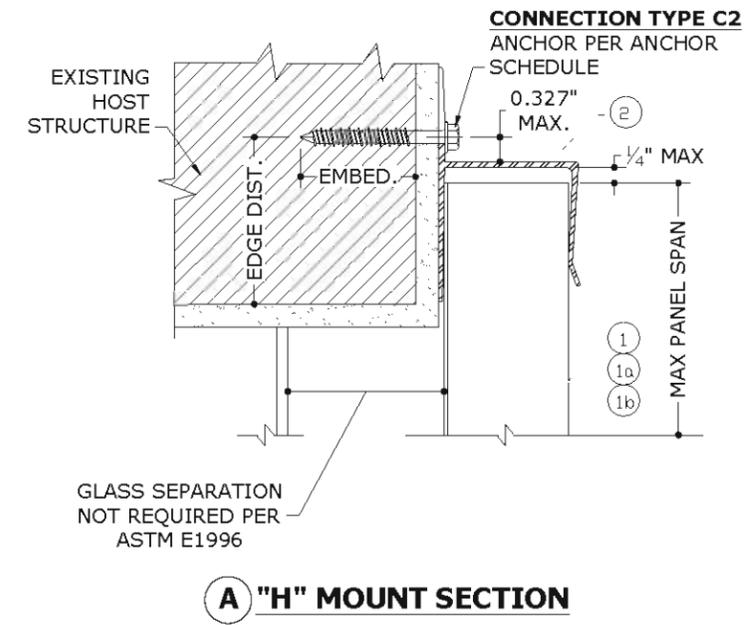
20-26144

SCALE: -

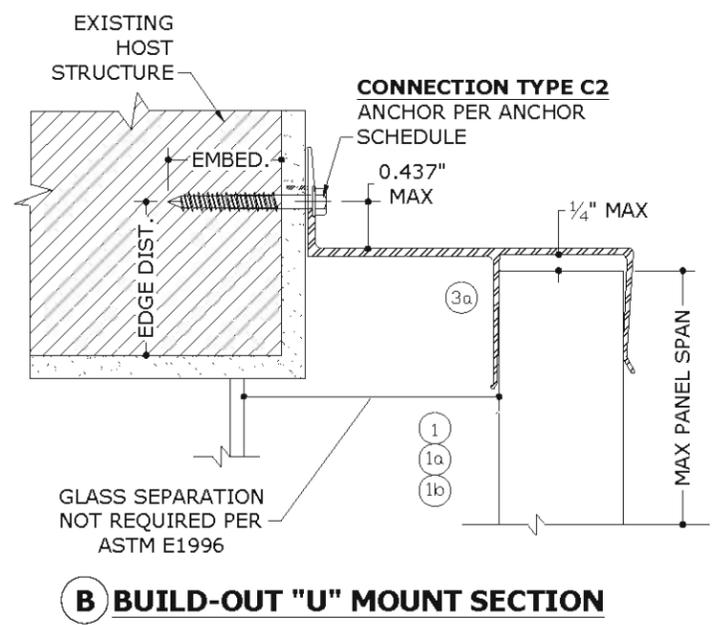
PAGE DESCRIPTION:

OF 10

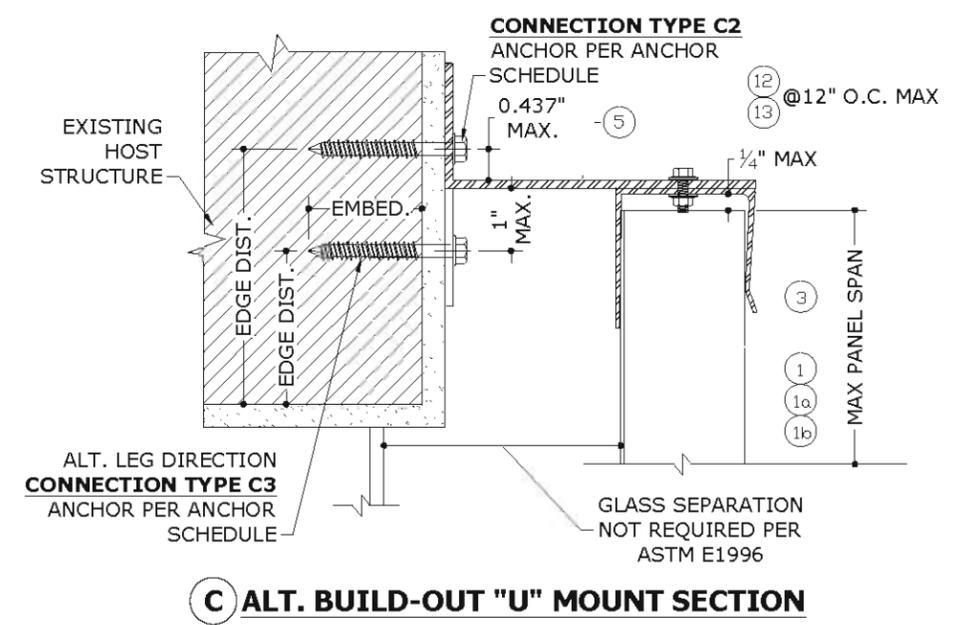
3



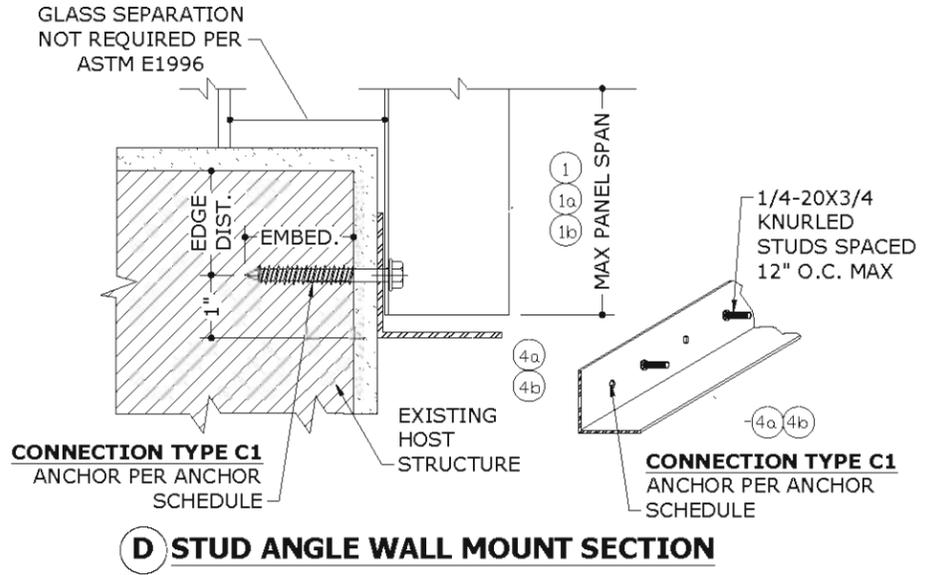
**A "H" MOUNT SECTION**



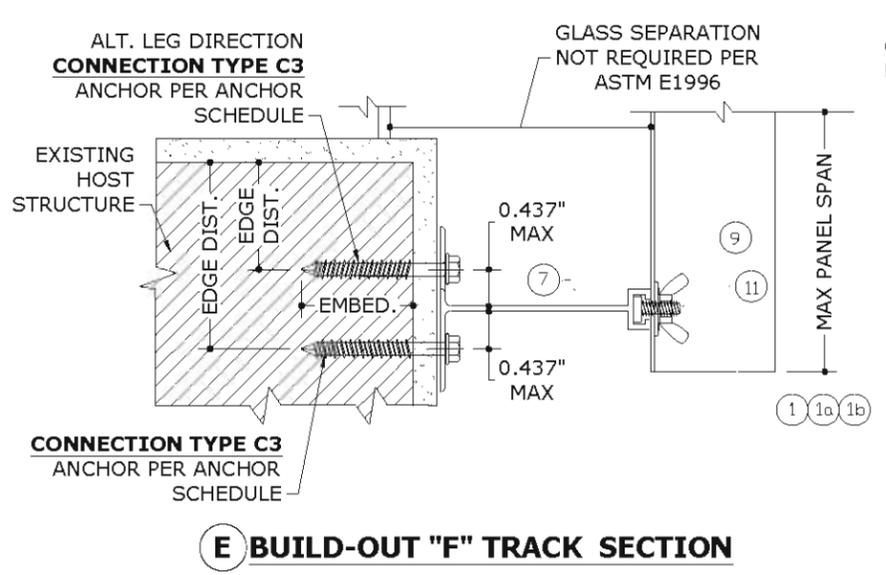
**B BUILD-OUT "U" MOUNT SECTION**



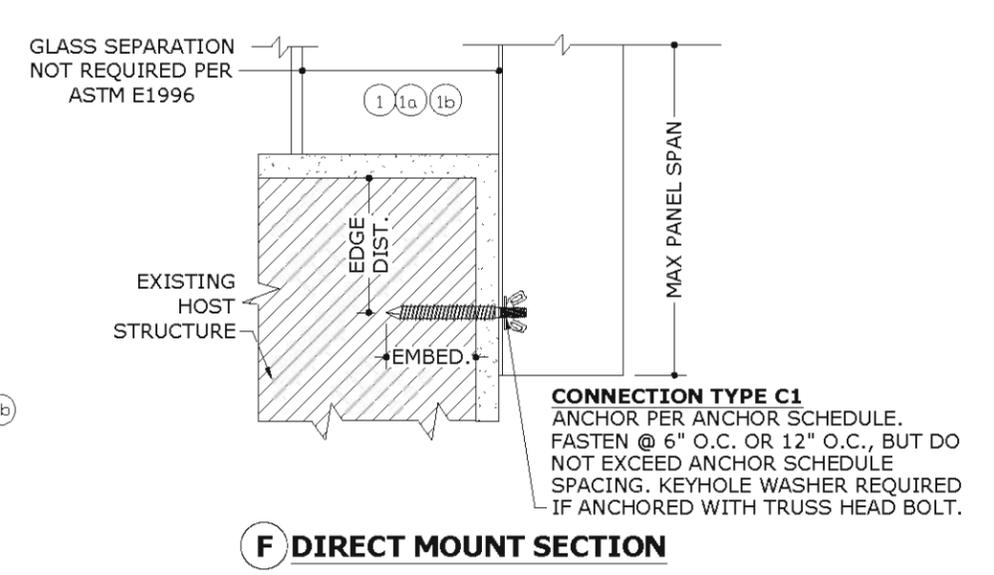
**C ALT. BUILD-OUT "U" MOUNT SECTION**



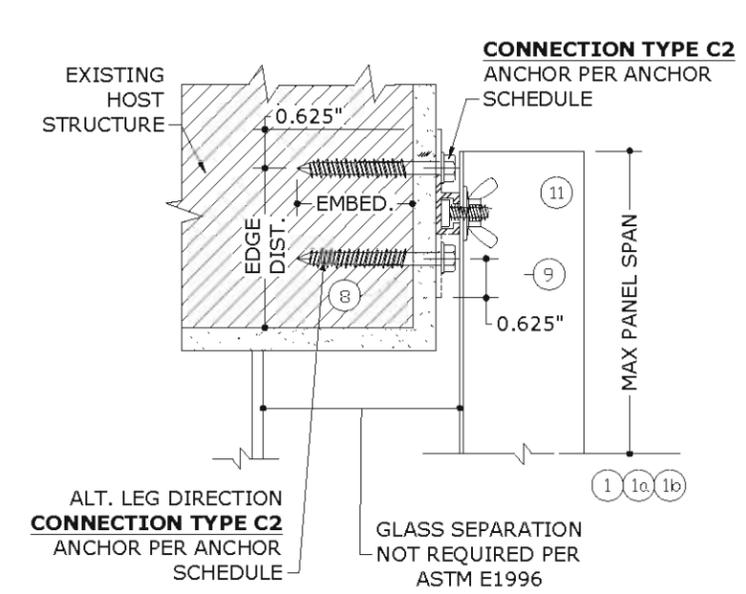
**D STUD ANGLE WALL MOUNT SECTION**



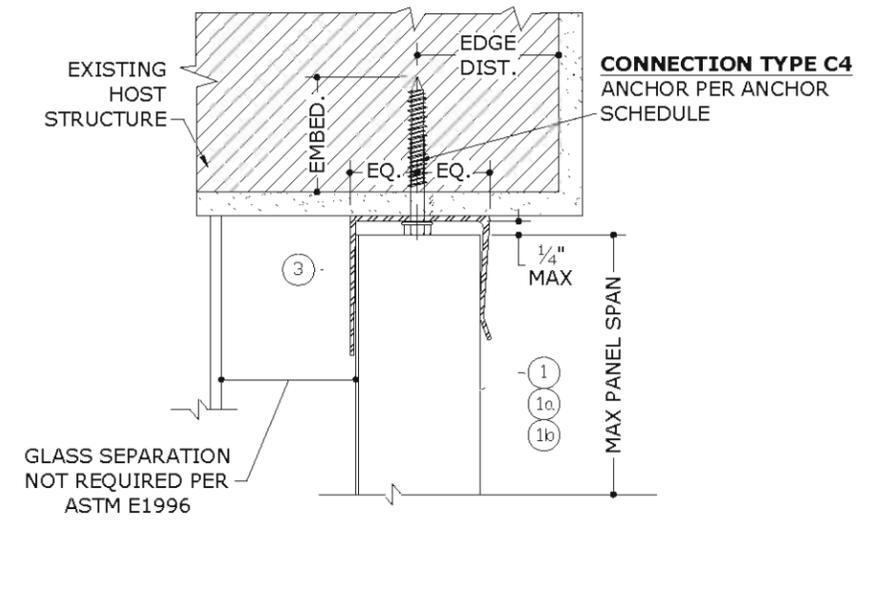
**E BUILD-OUT "F" TRACK SECTION**



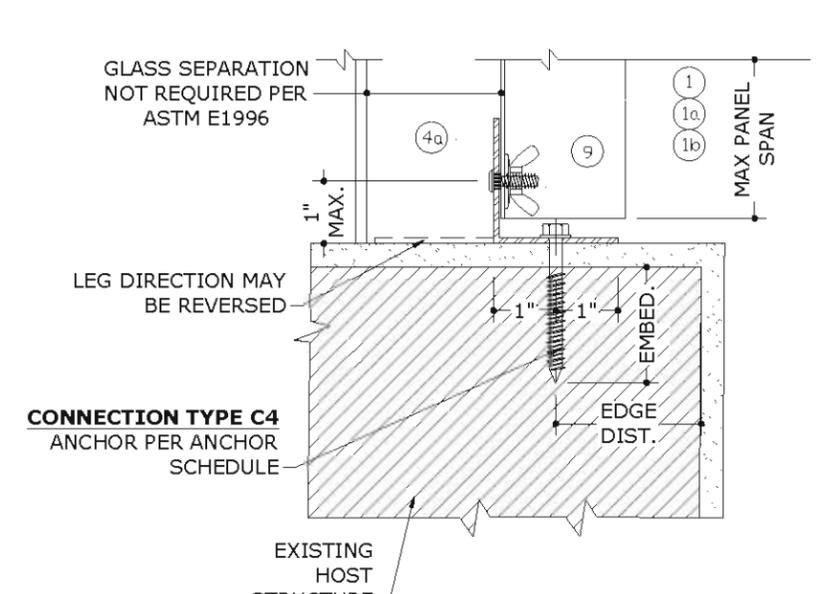
**F DIRECT MOUNT SECTION**



**G "F" TRACK MOUNT SECTION**

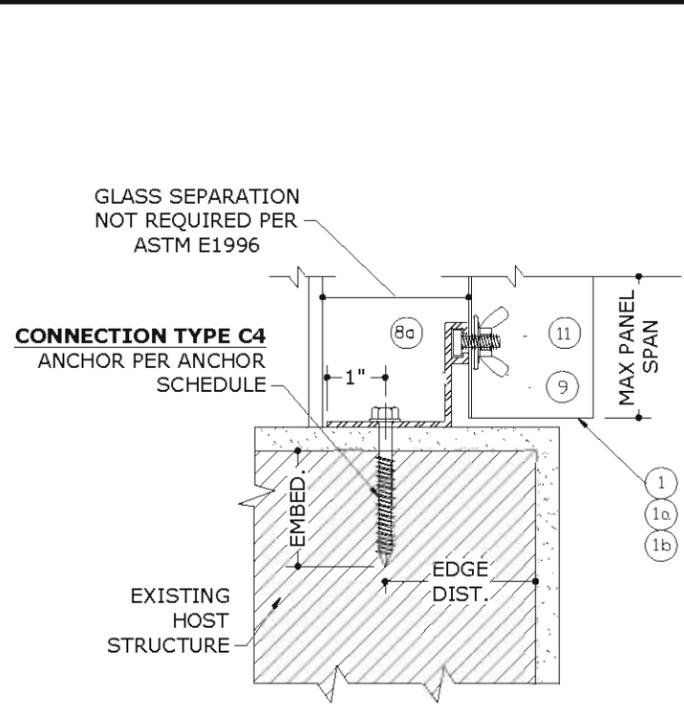


**H TRAP "U" HEADER SECTION**

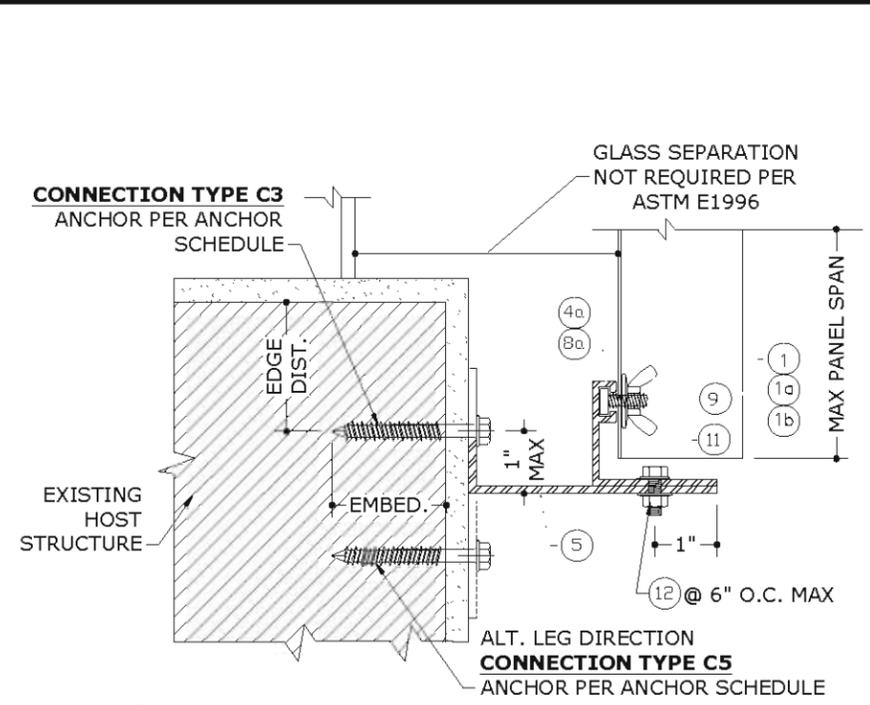


**I TRAP STUD ANGLE SECTION**

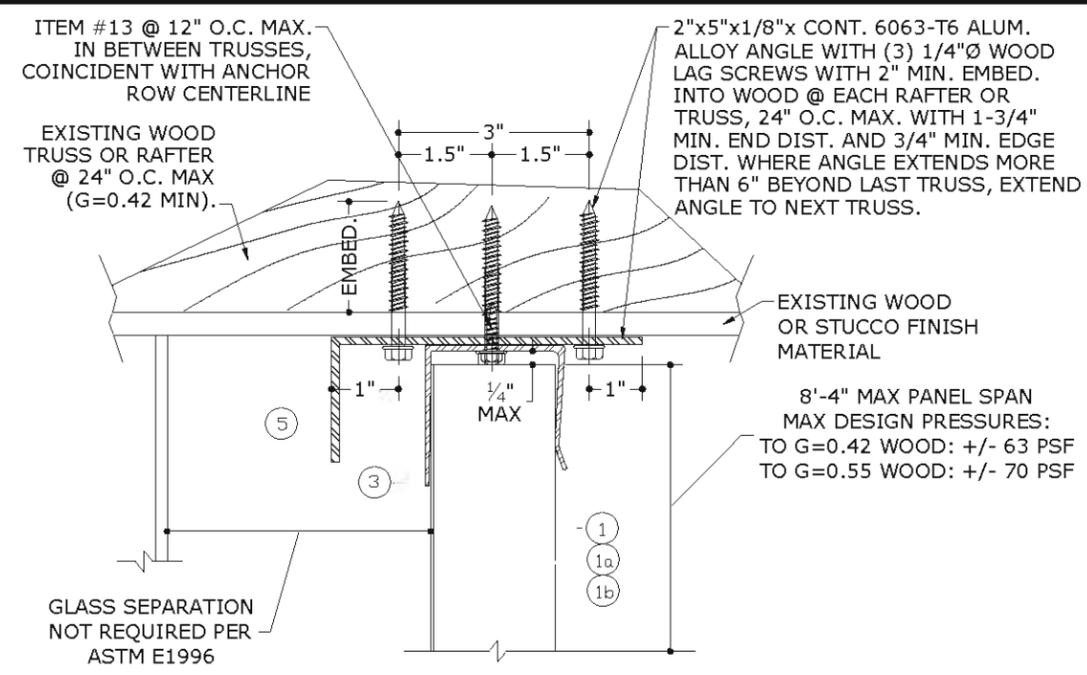
C:\Users\rickn\Engineering\Express\Production - Documents\Projects\20-26144 - FL12856.1 - 0.050 Aluminum Storm Panel\WP2020 FBC\20-26144.d - FL12856.1 - DWG.dwg  
10/06/2020 - 4:54pm rickn



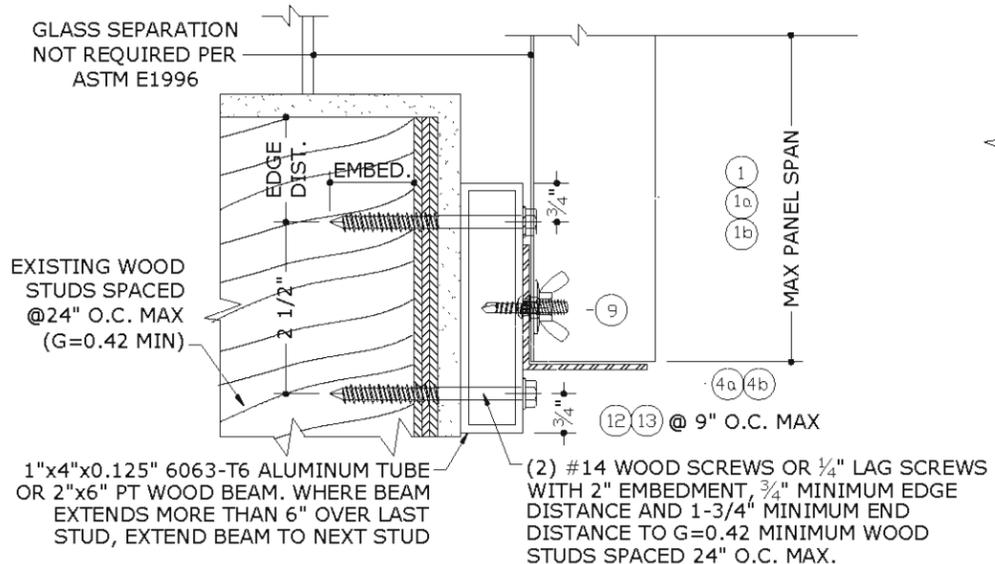
**J "F" ANGLE TRACK MOUNT SECTION**



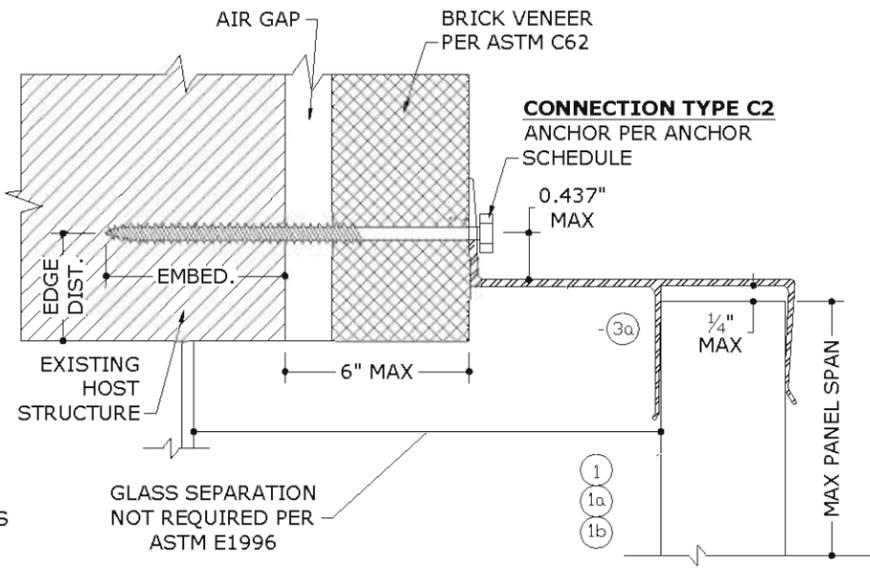
**K REVERSE "F" ANGLE TRACK MOUNT SECTION**



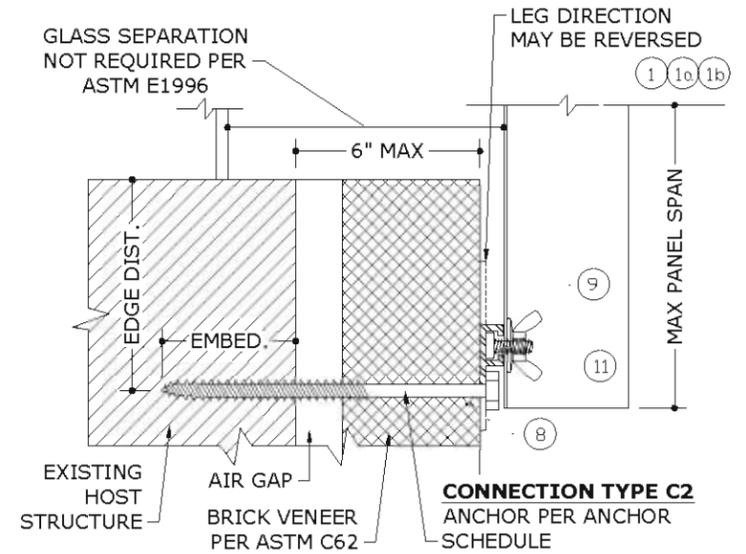
**L CEILING MOUNT/BUILD-OUT SECTION**



**M STUD ANGLE BUILD-OUT MOUNT SECTION INTO STUD WALL**



**N "U" HEADER BUILD-OUT THROUGH VENEER OVER STRUCTURAL BASE SECTION**



**O DIRECT MOUNT THROUGH VENEER OVER STRUCTURAL BASE SECTION**

FRANK BENNARDO, PE  
PE# 0046549 CA#9885

**ENGINEERING EXPRESS**  
CORPORATE OFFICE:  
160 SW 12th AVE, SUITE 106  
DEERFIELD BEACH, FL 33442  
(954) 354-0660 | (866) 396-9999  
TEAM@ENGINEERINGEXPRESS.COM  
ENGINEERINGEXPRESS.COM

**Town & Country**  
INDUSTRIES  
Wholesale Aluminum and Building Products  
A Division of AEC Group, Co., Inc.

400 WEST MCNAB ROAD  
FT. LAUDERDALE, FL 33309

FL12856.1

REMARKS	DRWN	CHKD	DATE
INIT ISSUE	KL	FLB	06/03/11
2010 FBC	CSL	KL	12/16/11
CLIENT REVISIONS	KL	FLB	10/25/13
2014 FBC (11-TCIM-0003)	RWN	CSL	03/13/15
REV - 2017 FBC	RWN	FLB	07/31/17
2020 FBC UPDATE	CB	RWN	6/17/20

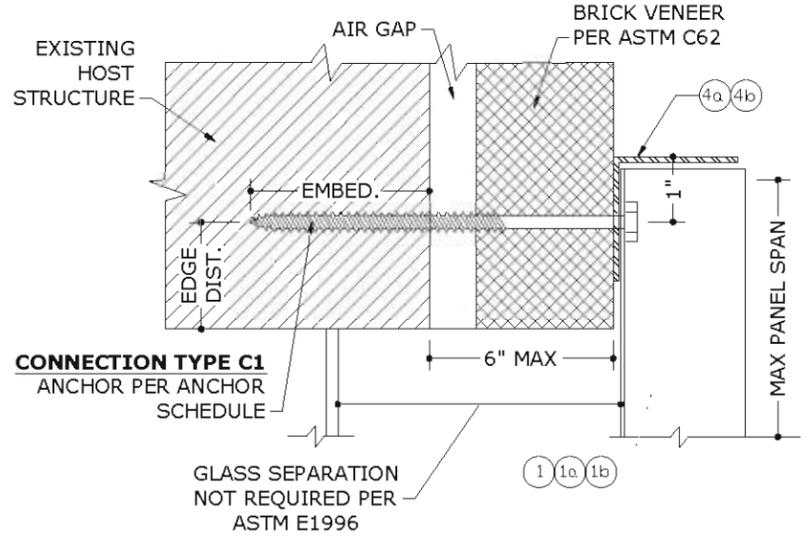
THIS DOCUMENT IS THE PROPERTY OF FRANK L. BENNARDO, P.E. AND SHALL NOT BE REPRODUCED IN WHOLE OR PART WITHOUT WRITTEN CONSENT OF FRANK L. BENNARDO, P.E. - ALTERATIONS, ADDITIONS, REVISIONS, REWORKING, OR OTHER MARKINGS TO THIS DOCUMENT ARE NOT PERMITTED AND INVALIDATE OUR CERTIFICATION.

20-26144  
SCALE:  
PAGE DESCRIPTION:

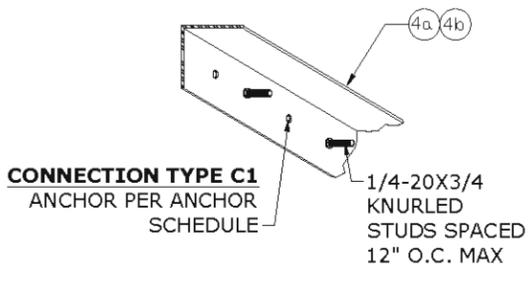
C:\Users\rickn\Engineering Express\Production - Documents\Projects\20-26144 - FL12856.1 - 0.050 Aluminum Storm Panel\WP2020 FBC\20-26144.d - FL12856.1 - DWG.dwg  
10/06/2020 - 4:54pm  
rickn



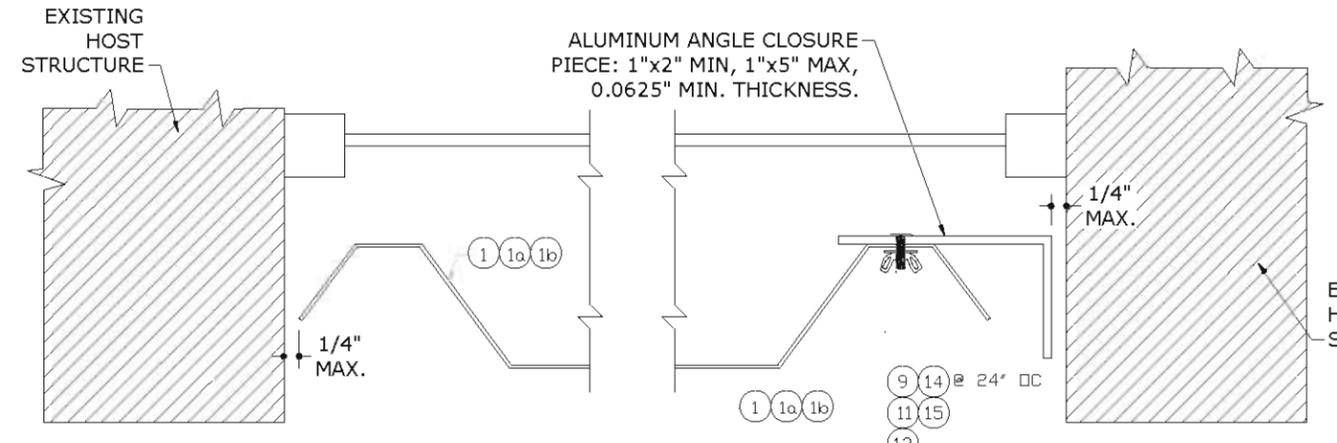
**ENGINEERING EXPRESS**  
CORPORATE OFFICE:  
160 SW 12th AVE, SUITE 106  
DEERFIELD BEACH, FL 33442  
(954) 354-0660 | (866) 396-9999  
TEAM@ENGINEERINGEXPRESS.COM  
ENGINEERINGEXPRESS.COM



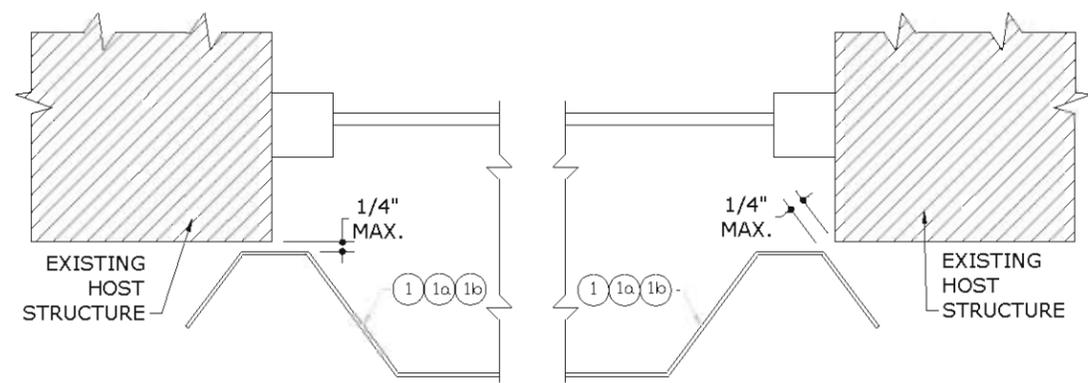
**P STUD ANGLE THROUGH VENEER OVER STRUCTURAL BASE SECTION**



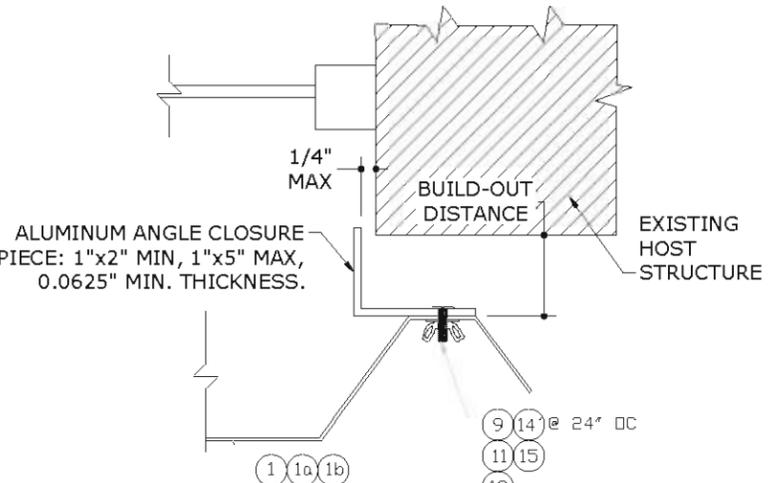
**Q BUILD-OUT "F" TRACK THROUGH VENEER OVER STRUCTURAL BASE SECTION**



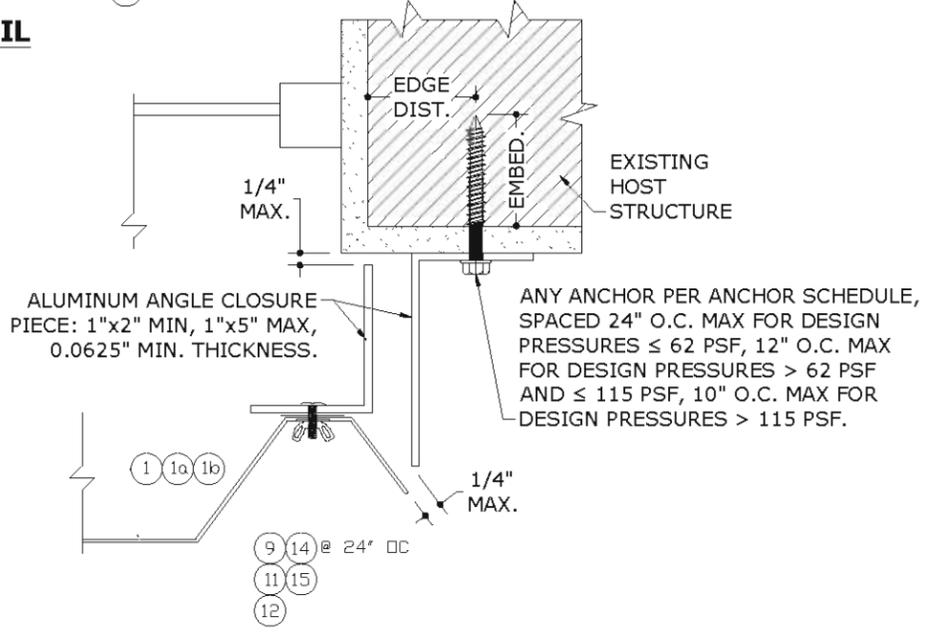
**R TRAP MOUNT CLOSURE DETAIL**



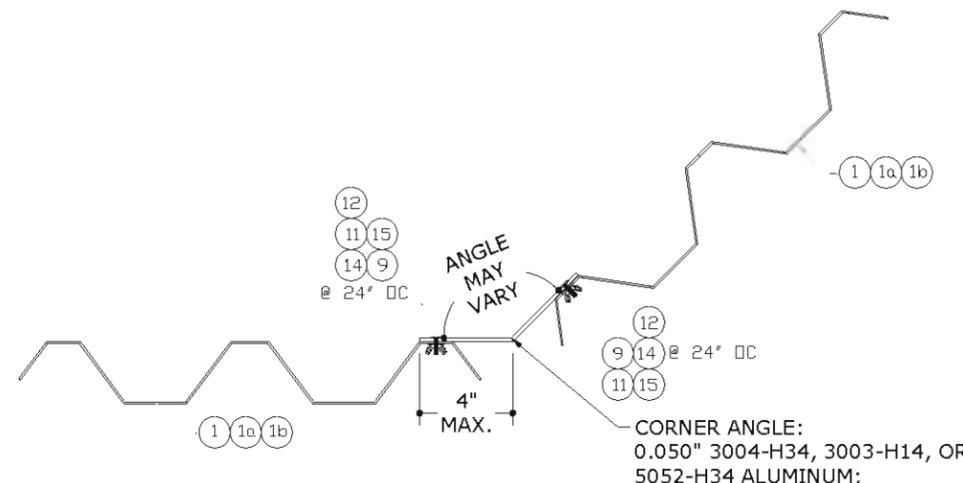
**S WALL MOUNT CLOSURE DETAIL**



**T BUILD-OUT MOUNT CLOSURE DETAIL**



**U ALTERNATE CLOSURE DETAIL**



**V CORNER ANGLE DETAIL**

**Town & Country INDUSTRIES**  
Wholesale Aluminum and Building Products  
A Division of A3C Supply Co. Inc.  
400 WEST MCNAB ROAD  
FT. LAUDERDALE, FL 33309  
FL12856.1

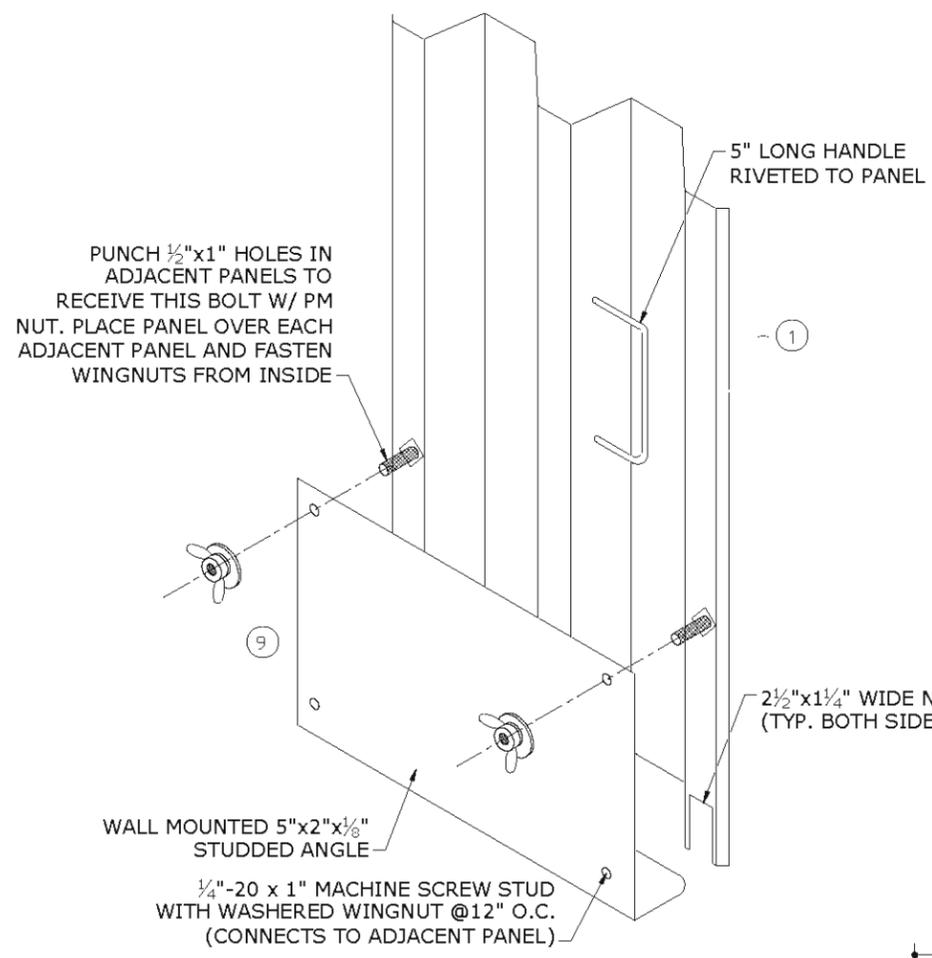
REVISIONS	DRWN	CHKD	DATE
INIT ISSUE	KL	FLB	06/03/11
2010 FBC	CSL	KL	12/16/11
CLIENT REVISIONS	KL	FLB	10/25/13
2014 FBC (11-TCM-0003)	RWN	CSL	03/13/15
REV-2017 FBC	RWN	FLB	07/31/17
2020 FBC UPDATE	CB	RWN	6/17/20

THIS DOCUMENT IS THE PROPERTY OF FRANK L. BENNARDO, P.E. AND SHALL NOT BE REPRODUCED IN WHOLE OR IN PART WITHOUT WRITTEN CONSENT OF FRANK L. BENNARDO, P.E. ALL REVISIONS, ADDITIONS, DELETIONS, AND OTHER MARKINGS TO THIS DOCUMENT ARE NOT PERMITTED AND INVALIDATE OUR DESIGN PRACTICE.

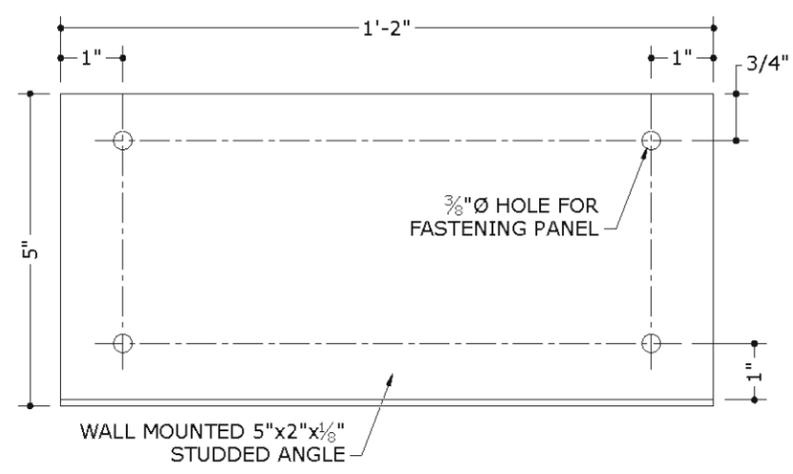
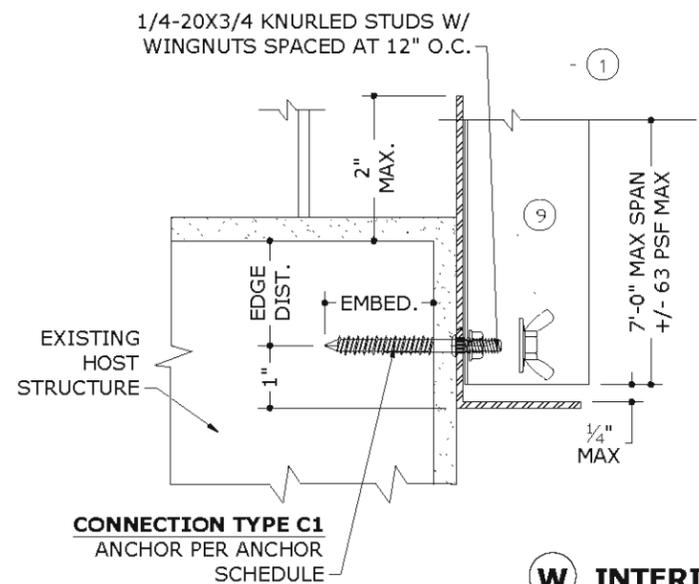
20-26144  
SCALE: -  
PAGE DESCRIPTION: -

C:\Users\rickn\Engineering\Express\Production - Documents\Projects\20-26144 - FL12856.1 - 0.050 Aluminum Storm Panel\WPV2020 FBC\20-26144.dwg - FL12856.1 - DWG.dwg  
10/06/2020 - 4:54pm rickn

C:\Users\rickn\Engineering\Express\Production - Documents\Projects\20-26144 - FL12856.1 - 0.050 Aluminum Storm Panel\WP2020 FBC\20-26144.d - FL12856.1 - DWG.dwg  
 10/06/2020 - 4:54pm rickn



NOT TO BE USED FOR EMERGENCY ESCAPE



**W INTERIOR FASTENING ANGLE ASSEMBLY**

THESE DETAILS DEPICT THE CONNECTION OF ANY PANEL FOR AN OPENING WITH PANELS INSTALLED FROM INSIDE. USE OF THESE DETAILS SHALL BE IN CONJUNCTION WITH AN "H" HEADER OR "U" HEADER TOP MOUNT.

FRANK BENNARDO, PE  
 PE# 0046549 CA#9885

**ENGINEERING EXPRESS**

CORPORATE OFFICE:  
 160 SW 12th AVE, SUITE 106  
 DEERFIELD BEACH, FL 33442  
 (954) 354-0660 | (866) 396-9999  
 TEAM@ENGINEERINGEXPRESS.COM  
 ENGINEERINGEXPRESS.COM

**Town & Country INDUSTRIES**  
 Wholesale Aluminum and Building Products  
 A Division of AEC Slog, Co., Inc.

400 WEST MCNAB ROAD  
 FT. LAUDERDALE, FL 33309

FL12856.1

REMARKS	DRWN	CHKD	DATE
INIT ISSUE	KL	FLB	06/03/11
2010 FBC	CSL	KL	12/16/11
CLIENT REVISIONS	KL	FLB	10/25/13
2014 FBC (11-TCM-003)	RWN	CSL	03/13/15
REV - 2017 FBC	RWN	FLB	07/31/17
2020 FBC UPDATE	CB	RWN	6/17/20

THIS DOCUMENT IS THE PROPERTY OF FRANK L. BENNARDO, P.E. AND SHALL NOT BE REPRODUCED IN WHOLE OR PART WITHOUT WRITTEN CONSENT OF FRANK L. BENNARDO, P.E. - ALTERATIONS, ADDITIONS, REVISIONS, OR OTHER MARKS TO THIS DOCUMENT ARE NOT PERMITTED AND WILL INEFFECTIVE OUR CERTIFICATION.

COPYRIGHT FRANK L. BENNARDO P.E.

20-26144

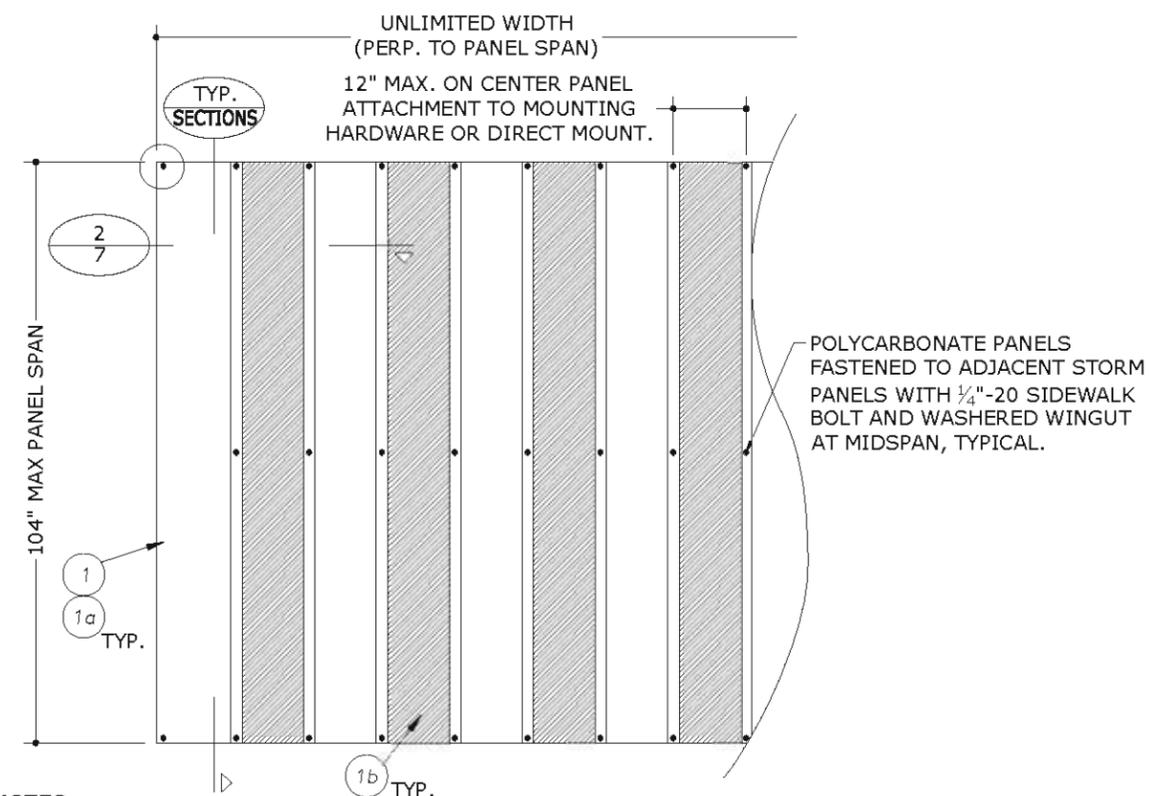
SCALE: -

PAGE DESCRIPTION:

OF 10



**ENGINEERING EXPRESS**  
CORPORATE OFFICE:  
160 SW 12th AVE, SUITE 106  
DEERFIELD BEACH, FL 33442  
(954) 354-0660 | (866) 396-9999  
TEAM@ENGINEERINGEXPRESS.COM  
ENGINEERINGEXPRESS.COM



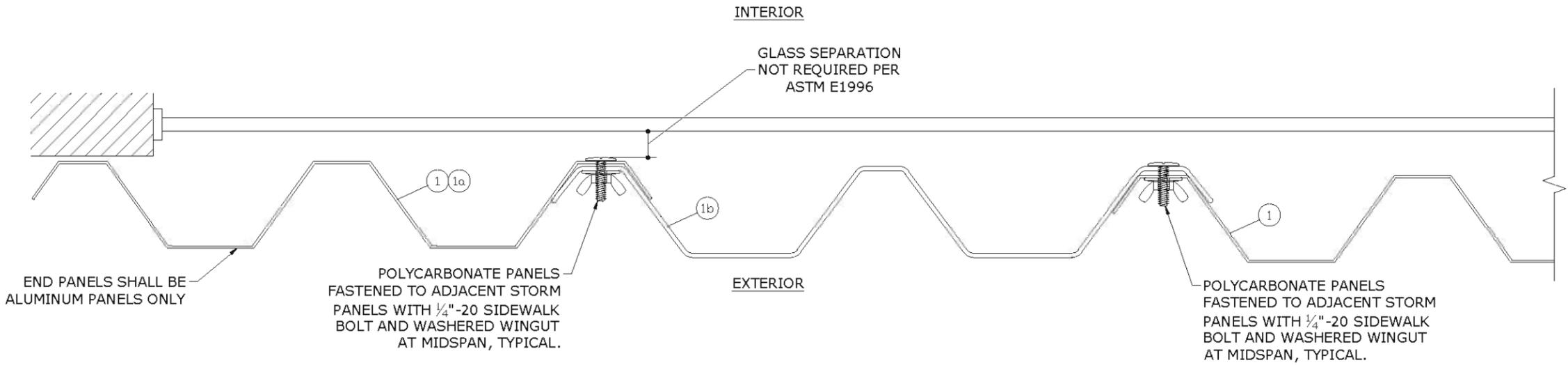
**ALLOWABLE  
DESIGN PRESSURES**  
WITH ALTERNATING ALUMINUM AND  
POLYCARBONATE PANELS

**+55 PSF  
-58 PSF**

NOTE: ANY INSTALLATION WITH ALTERNATING ALUMINUM AND POLYCARBONATE PANELS SHALL NOT EXCEED THESE DESIGN PRESSURES.

- NOTES:**
1. TOP MAY BE SLOPED OR RADIUS TO MATCH GEOMETRY OF OPENING. MOUNTING HARDWARE MUST BE ROLL-FORMED TO THE RADIUS; NO NOTCHING OF MOUNTING HARDWARE TO ACHIEVE SHAPES IS ALLOWED.
  2. STORM PANELS MAY BE MOUNTED VERTICALLY OR HORIZONTALLY.
  3. ALUMINUM AND POLYCARBONATE PANELS SHALL ALTERNATE.
  4. END PANELS SHALL BE ALUMINUM PANELS ONLY.

**1**  
**7** N.T.S. **TYPICAL ELEVATION WITH ALTERNATING ALUMINUM AND POLYCARBONATE PANELS**  
EXTERIOR ELEV



**2**  
**7** N.T.S. **TYPICAL SECTION WITH ALTERNATING ALUMINUM AND POLYCARBONATE PANELS**  
HORIZ SECTION

REMARKS	DRWN	CHKD	DATE
INIT ISSUE	KL	FLB	06/03/11
2010 FBC	CSL	KL	12/16/11
CLIENT REVISIONS	KL	FLB	10/25/13
2014 FBC (11-TCM-0003)	RWN	CSL	03/13/15
REV - 2017 FBC	RWN	FLB	07/31/17
2020 FBC UPDATE	CB	RWN	6/17/20

THIS DOCUMENT IS THE PROPERTY OF FRANK L. BENNARDO, P.E. AND SHALL NOT BE REPRODUCED IN WHOLE OR PART WITHOUT WRITTEN CONSENT OF FRANK L. BENNARDO, P.E. - ALTERATIONS, ADDITIONS, REVISIONS, OR OTHER MARKINGS TO THIS DOCUMENT ARE NOT PERMITTED AND INVALIDATE OUR CERTIFICATION.

COPYRIGHT FRANK L. BENNARDO P.E.

**20-26144**

SCALE: -

PAGE DESCRIPTION:

OF 10

**7**

**Town & Country**  
INDUSTRIES  
Wholesale Aluminum and Building Products  
A Division of AEC Group, Co., Inc.  
400 WEST MCNAB ROAD  
FT. LAUDERDALE, FL 33309  
FL12856.1

# ANCHOR SCHEDULES:

(SEE SHEET 1 FOR ANCHOR NOTES)

HOST STRUCT.	ANCHOR	LOAD (psf)	EDGE DISTANCES AS NOTED															
			Spans Up To 5'-0"					Spans Up To 9'-0"					Spans Up To 12'-0"					
			CONN TYPE					CONN TYPE					CONN TYPE					
			C1	C2	C3	C4	C5	C1	C2	C3	C4	C5	C1	C2	C3	C4	C5	
CONCRETE	1/4" ITW S.S. TAPCON WITH 1-3/4" EMBED AND 1" MIN. EDGE DISTANCE (3192 psi MIN CONCRETE)	33	16.0"	16.0"	16.0"	13.4"	16.0"	16.0"	16.0"	16.0"	7.5"	16.0"	16.0"	16.0"	16.0"	16.0"	5.6"	16.0"
		48	16.0"	16.0"	16.0"	9.2"	16.0"	16.0"	16.0"	16.0"	16.0"	5.1"	16.0"	16.0"	16.0"	16.0"	3.7"	11.3"
		62	16.0"	16.0"	16.0"	7.1"	16.0"	16.0"	16.0"	14.4"	16.0"	3.9"	12.0"	15.0"	9.4"	15.0"		7.2"
		76	16.0"	16.0"	16.0"	5.8"	16.0"	16.0"	10.6"	16.0"	3.1"	8.3"	12.3"	7.2"	12.3"			5.3"
		90	16.0"	16.0"	16.0"	4.9"	16.0"	13.8"	8.4"	13.8"		6.3"	10.4"	5.8"	9.7"			4.2"
		105	16.0"	15.9"	16.0"	4.1"	13.6"	11.8"	6.8"	11.8"		5.0"	8.9"	4.8"	7.8"			3.4"
	120	16.0"	12.8"	16.0"	3.6"	10.4"	10.4"	5.8"	9.7"		4.2"	7.8"	4.1"	6.5"				
	1/4" DEWALT ULTRACON WITH 1-3/4" EMBED AND 1" MIN. EDGE DISTANCE (2700 psi MIN CONCRETE)	33	16.0"	16.0"	16.0"	16.0"	16.0"	16.0"	16.0"	16.0"	12.2"	16.0"	16.0"	16.0"	16.0"	9.1"	16.0"	
		48	16.0"	16.0"	16.0"	15.1"	16.0"	16.0"	16.0"	16.0"	8.2"	16.0"	16.0"	13.5"	16.0"	6.0"	11.1"	
		62	16.0"	16.0"	16.0"	11.7"	16.0"	16.0"	14.2"	16.0"	6.2"	11.9"	14.8"	9.3"	14.8"	4.6"	7.1"	
		76	16.0"	16.0"	16.0"	9.5"	16.0"	16.0"	10.4"	16.0"	5.0"	8.2"	12.1"	7.1"	12.1"		5.2"	
		90	16.0"	16.0"	16.0"	7.9"	16.0"	13.6"	8.3"	13.6"	4.2"	6.2"	10.2"	5.7"	9.6"		4.1"	
105		16.0"	15.7"	16.0"	6.7"	13.5"	11.7"	6.7"	11.7"		5.0"	8.8"	4.7"	7.7"				
120	16.0"	12.7"	16.0"	5.8"	10.3"	10.2"	5.7"	9.6"		4.1"	7.7"	4.0"	6.4"					
1/4" ITW SAMMYS SSC W/ 2-1/4" MIN EMBED AND 1-1/4" MIN. EDGE DISTANCE (3295 psi MIN CONCRETE)	33	16.0"	16.0"	16.0"	16.0"	16.0"	16.0"	16.0"	16.0"	16.0"	16.0"	16.0"	16.0"	16.0"	13.9"	16.0"		
	48	16.0"	16.0"	16.0"	16.0"	16.0"	16.0"	16.0"	16.0"	12.6"	16.0"	16.0"	16.0"	16.0"	9.2"	16.0"		
	62	16.0"	16.0"	16.0"	16.0"	16.0"	16.0"	16.0"	16.0"	9.6"	16.0"	16.0"	15.0"	16.0"	7.0"	11.5"		
	76	16.0"	16.0"	16.0"	14.5"	16.0"	16.0"	16.0"	16.0"	7.7"	13.2"	16.0"	11.4"	16.0"	5.7"	8.4"		
	90	16.0"	16.0"	16.0"	12.0"	16.0"	16.0"	13.3"	16.0"	6.4"	10.1"	16.0"	9.2"	15.4"	4.8"	6.7"		
	105	16.0"	16.0"	16.0"	10.2"	16.0"	16.0"	10.9"	16.0"	5.5"	8.0"	14.2"	7.6"	12.4"	4.1"	5.4"		
120	16.0"	16.0"	16.0"	8.8"	16.0"	16.0"	9.2"	15.4"	4.8"	6.7"	12.4"	6.5"	10.4"	3.6"	4.6"			
1/4-20 ALL POINTS SOLID-SET WITH 7/8" MIN EMBED AND 1-1/4" MIN. EDGE DISTANCE (3000 psi MIN CONCRETE)	33	16.0"	16.0"	16.0"	16.0"	16.0"	16.0"	16.0"	16.0"	9.6"	16.0"	16.0"	16.0"	16.0"	7.1"	16.0"		
	48	16.0"	16.0"	16.0"	11.9"	16.0"	16.0"	15.8"	16.0"	6.5"	15.5"	13.7"	9.6"	13.7"	4.7"	8.0"		
	62	16.0"	16.0"	16.0"	9.2"	16.0"	14.1"	10.1"	14.1"	4.9"	8.5"	10.6"	6.6"	10.6"	3.6"	5.1"		
	76	16.0"	16.0"	16.0"	7.5"	16.0"	11.5"	7.4"	11.5"	3.9"	5.8"	8.6"	5.0"	8.6"		3.7"		
	90	16.0"	14.6"	16.0"	6.2"	13.8"	9.7"	5.9"	9.7"	3.3"	4.4"	7.3"	4.1"	6.8"				
	105	15.0"	11.2"	15.0"	5.2"	9.6"	8.3"	4.8"	8.3"		3.5"	6.2"	3.4"	5.5"				
120	13.1"	9.0"	13.1"	4.5"	7.4"	7.3"	4.1"	6.8"		5.5"		4.6"						
1/4" DEWALT TAPPER WITH 1-3/4" MIN EMBED AND 1-1/2" MIN. EDGE DISTANCE (3000 psi MIN CONCRETE)	33	16.0"	16.0"	16.0"	14.3"	16.0"	15.4"	15.4"	8.0"	15.4"	11.5"	10.9"	11.5"	5.9"	11.5"			
	48	16.0"	16.0"	16.0"	9.9"	16.0"	10.6"	9.1"	10.6"	5.3"	9.0"	7.9"	5.6"	7.9"	3.8"	4.6"		
	62	14.7"	14.7"	14.7"	7.6"	14.7"	8.2"	5.9"	8.2"	4.0"	4.9"	6.1"	3.8"	6.1"				
	76	12.0"	11.9"	12.0"	6.2"	12.0"	6.7"	4.3"	6.7"	3.2"	3.4"	5.0"		5.0"				
	90	10.1"	8.5"	10.1"	5.1"	8.0"	5.6"	3.4"	5.6"		4.2"		3.9"					
	105	8.7"	6.5"	8.7"	4.3"	5.6"	4.8"		4.8"		3.6"		3.2"					
120	7.6"	5.2"	7.6"	3.7"	4.3"	4.2"		3.9"		3.2"								

HOST STRUCT.	ANCHOR	LOAD (psf)	EDGE DISTANCES AS NOTED														
			Spans Up To 5'-0"					Spans Up To 9'-0"					Spans Up To 12'-0"				
			CONN TYPE					CONN TYPE					CONN TYPE				
			C1	C2	C3	C4	C5	C1	C2	C3	C4	C5	C1	C2	C3	C4	C5
CONCRETE	1/4" MILLENNIUM MILLFAST WITH 1-3/4" EMBED AND 2-1/2" EDGE DISTANCE (3275psi MIN CONCRETE)	33	16.0"	16.0"	16.0"	16.0"	16.0"	16.0"	16.0"	16.0"	16.0"	16.0"	16.0"	16.0"	16.0"	13.3"	16.0"
		48	16.0"	16.0"	16.0"	16.0"	16.0"	16.0"	16.0"	16.0"	12.0"	16.0"	16.0"	12.8"	16.0"	8.7"	10.5"
		62	16.0"	16.0"	16.0"	16.0"	16.0"	16.0"	13.4"	16.0"	9.0"	11.2"	14.0"	8.8"	14.0"	6.6"	6.7"
		76	16.0"	16.0"	16.0"	14.0"	16.0"	15.3"	9.9"	15.3"	7.2"	7.7"	11.4"	6.7"	11.4"	5.3"	4.9"
		90	16.0"	16.0"	16.0"	11.5"	16.0"	12.9"	7.8"	12.9"	6.0"	5.9"	9.7"	5.4"	9.0"	4.4"	
		105	16.0"	14.8"	16.0"	9.7"	12.7"	11.0"	6.4"	11.0"	5.1"	4.7"	8.3"	4.5"	7.3"		
	120	16.0"	12.0"	16.0"	8.3"	9.8"	9.7"	5.4"	9.0"	4.4"		7.3"		6.1"			
	1/4" MILLENNIUM MILLFAST WITH 1-3/4" EMBED AND 1" EDGE DISTANCE (3275psi MIN CONCRETE)	33	16.0"	16.0"	16.0"	16.0"	16.0"	16.0"	16.0"	16.0"	12.7"	16.0"	16.0"	16.0"	16.0"	9.4"	16.0"
		48	16.0"	16.0"	16.0"	15.8"	16.0"	16.0"	16.0"	16.0"	8.5"	16.0"	14.4"	10.1"	14.4"	6.2"	8.4"
		62	16.0"	16.0"	16.0"	12.2"	16.0"	14.9"	10.7"	14.9"	6.4"	8.9"	11.2"	7.0"	11.2"	4.7"	5.3"
		76	16.0"	16.0"	16.0"	9.9"	16.0"	12.1"	7.9"	12.1"	5.1"	6.1"	9.1"	5.3"	9.1"		
		90	16.0"	15.4"	16.0"	8.1"	14.6"	10.3"	6.2"	10.3"	4.3"	4.7"	7.7"	4.3"	7.2"		
105		15.8"	11.8"	15.8"	6.9"	10.1"	8.8"	5.1"	8.8"		6.6"		5.8"				
120	13.8"	9.5"	13.8"	5.9"	7.8"	7.7"	4.3"	7.2"		5.8"		4.8"					
#12 SMS W/ 2" EYEWALL ARMOR INSERT W/ 2" EMBED AND 2" EDGE DISTANCE (2000psi MIN CONC)	33	16.0"	16.0"	16.0"	16.0"	16.0"	16.0"	16.0"	16.0"	12.9"	16.0"	16.0"	16.0"	16.0"	9.6"	16.0"	
	48	16.0"	16.0"	16.0"	16.0"	16.0"	16.0"	16.0"	16.0"	8.7"	16.0"	16.0"	13.1"	16.0"	6.4"	10.8"	
	62	16.0"	16.0"	16.0"	12.4"	16.0"	16.0"	13.8"	16.0"	6.6"	11.5"	14.4"	9.0"	14.4"	4.8"	6.9"	
	76	16.0"	16.0"	16.0"	10.0"	16.0"	15.6"	10.1"	15.6"	5.3"	7.9"	11.7"	6.8"	11.7"	3.9"	5.1"	
	90	16.0"	16.0"	16.0"	8.3"	16.0"	13.2"	8.0"	13.2"	4.4"	6.0"	9.9"	5.5"	9.3"	3.3"	4.0"	
	105	16.0"	15.2"	16.0"	7.0"	13.1"	11.3"	6.5"	11.3"	3.8"	4.8"	8.5"	4.6"	7.5"		3.3"	
120	16.0"	12.3"	16.0"	6.1"	10.0"	9.9"	5.5"	9.3"	3.3"	4.0"	7.4"	3.9"	6.2"				
#12 SMS W/ 2.75" EYEWALL ARMOR INSERT W/ 2.5" EMBED AND 2" EDGE DISTANCE (2000psi MIN CONC)	33	16.0"	16.0"	16.0"	16.0"	16.0"	16.0"	16.0"	16.0"	16.0"	16.0"	16.0"	16.0"	16.0"	13.6"	16.0"	
	48	16.0"	16.0"	16.0"	16.0"	16.0"	16.0"	16.0"	16.0"	12.4"	16.0"	16.0"	16.0"	16.0"	9.0"	13.9"	
	62	16.0"	16.0"	16.0"	16.0"	16.0"	16.0"	16.0"	16.0"	9.3"	14.8"	16.0"	11.5"	16.0"	6.9"	8.9"	
	76	16.0"	16.0"	16.0"	14.3"	16.0"	13.0"	16.0"	13.0"	7.5"	10.2"	15.1"	8.8"	15.1"	5.5"	6.5"	
	90	16.0"	16.0"	16.0"	11.8"	16.0"	10.3"	16.0"	10.3"	6.3"	7.8"	12.7"	7.1"	11.9"	4.6"	5.1"	
	105	16.0"	16.0"	16.0"	10.0"	16.0"	14.5"	8.4"	14.5"	5.3"	6.2"	10.9"	5.9"	9.6"	3.9"	4.2"	
120	16.0"	15.8"	16.0"	8.6"	12.8"	12.7"	7.1"	11.9"	4.6"	5.1"	9.5"	5.0"	8.0"	3.4"	3.5"		

HOST STRUCT.	ANCHOR	LOAD (psf)	EDGE DISTANCES AS NOTED															
			Spans Up To 5'-0"					Spans Up To 9'-0"					Spans Up To 12'-0"					
			CONN TYPE					CONN TYPE					CONN TYPE					
			C1	C2	C3	C4	C5	C1	C2	C3	C4	C5	C1	C2	C3	C4	C5	
CONCRETE	1/4" ITW S.S. TAPCON WITH 1-3/4" EMBED AND 2-1/2" MIN. EDGE DISTANCE (3192 psi MIN CONCRETE)	33	16.0"	16.0"	16.0"	16.0"	16.0"	16.0"	16.0"	16.0"	16.0"	16.0"	16.0"	16.0"	16.0"	16.0"	16.0"	16.0"
		48	16.0"	16.0"	16.0"	16.0"	16.0"	16.0"	16.0"	16.0"	16.0"	16.0"	16.0"	16.0"	16.0"	16.0"	16.0"	16.0"
		62	16.0"	16.0"	16.0"	16.0"	16.0"	16.0"	16.0"	16.0"	16.0"	16.0"	16.0"	16.0"	16.0"	16.0"	16.0"	16.0"
		76	16.0"	16.0"	16.0"	14.1"	16.0"	16.0"	12.4"	16.0"	7.4"	9.7"	14.4"	8.4"	14.4"	5.5"	6.2"	
		90	16.0"	16.0"	16.0"	11.7"	16.0"	16.0"	9.8"	16.0"	6.2"	7.4"	12.2"	6.8"	11.4"	4.6"	4.9"	
		105	16.0"	16.0"	16.0"	9.9"	16.0"	13.9"	8.0"	13.9"	5.3"	5.9"	10.4"	5.6"	9.1"	3.9"	4.0"	
	120	16.0"	15.1"	16.0"	8.5"	12.3"	12.2"	6.8"	11.4"	4.6"	4.9"	9.1"	4.8"	7.7"	3.4"	3.4"		
	1/4" DEWALT ULTRACON WITH 1-3/4" EMBED AND 2-1/2" MIN. EDGE DISTANCE (2700 psi MIN CONCRETE)	33	16.0"	16.0"	16.0"	16.0"	16.0"	16.0"	16.0"	16.0"	16.0"	16.0"	16.0"	16.0"	16.0"	13.7"	16.0"	
		48	16.0"	16.0"	16.0"	16.0"	16.0"	16.0"	16.0"	16.0"	12.4"	16.0"	16.0"	13.9"	16.0"	9.0"	11.5"	
		62	16.0"	16.0"	16.0"	16.0"	16.0"	16.0"	14.6"	16.0"	9.3"	12.3"	15.3"	9.6"	15.3"	6.8"	7.3"	
		76	16.0"	16.0"	16.0"	14.4"	16.0"	16.0"	10.8"	16.0"	7.5"	8.4"	12.5"	7.3"	12.5"	5.5"	5.4"	
		90	16.0"	16.0"	16.0"	11.8"	16.0"	14.1"	8.5"	14.1"	6.2"	6.4"	10.6"	5.9"	9.9"	4.6"	4.3"	
105		16.0"	16.0"	16.0"	10.0"	13.9"	12.1"	7.0"	12.1"	5.3"	5.1"	9.0"						

# ANCHOR SCHEDULES (CONTINUED):

HOST STRUCT.	ANCHOR	LOAD (psf)	EDGE DISTANCES AS NOTED														
			Spans Up To 5'-0"					Spans Up To 9'-0"					Spans Up To 12'-0"				
			CONN TYPE					CONN TYPE					CONN TYPE				
	C1	C2	C3	C4	C5	C1	C2	C3	C4	C5	C1	C2	C3	C4	C5		
HOLLOW CONCRETE BLOCK	1/4" ITW S.S. TAPCON WITH 1-1/4" MIN. EMBED AND 2-1/2" MIN. EDGE DISTANCE	33	16.0"	16.0"	16.0"	11.6"	16.0"	10.3"	10.3"	10.3"	6.4"	10.3"	7.8"	7.3"	7.8"	4.7"	7.8"
		48	12.8"	12.8"	12.8"	8.0"	12.8"	7.1"	6.2"	7.1"	4.3"	6.0"	5.3"	3.8"	5.3"	3.1"	3.1"
		62	9.9"	9.9"	9.9"	6.2"	9.9"	5.5"	3.9"	5.5"	3.2"	3.3"	4.1"		4.1"		
		76	8.1"	8.0"	8.1"	5.0"	8.1"	4.5"		4.5"			3.4"		3.4"		
		90	6.8"	5.7"	6.8"	4.1"	5.4"	3.8"		3.8"							
		105	5.9"	4.4"	5.9"	3.4"	3.7"	3.3"		3.2"							
	120	5.1"	3.5"	5.1"													
	1/4" DEWALT ULTRACON WITH 1-1/4" MIN. EMBED AND 2-1/2" MIN. EDGE DISTANCE	33	16.0"	16.0"	16.0"	10.5"	16.0"	11.3"	11.3"	11.3"	5.9"	11.3"	8.5"	8.0"	8.5"	4.3"	8.5"
		48	14.0"	14.0"	14.0"	7.2"	14.0"	7.8"	6.7"	7.8"	3.9"	6.6"	5.8"	4.1"	5.8"		
		62	10.8"	10.8"	10.8"	5.6"	10.8"	6.0"	4.3"	6.0"			4.5"		4.5"		
		76	8.8"	8.8"	8.8"	4.5"	8.8"	4.9"		4.9"			4.1"				
		90	7.5"	6.2"	7.5"								5.9"	4.1"			
105		6.4"	4.8"	6.4"			4.1"										
120	5.6"	3.9"	5.6"														
1/4" DEWALT PANELMATE (FEMALE, MALE, OR PLUS) W/ 1-1/4" MIN EMBED AND 3" MIN. EDGE DISTANCE	33	16.0"	16.0"	16.0"	14.9"	16.0"	16.0"	16.0"	8.3"	16.0"	12.7"	12.0"	12.7"	6.1"	12.7"		
	48	16.0"	16.0"	16.0"	10.2"	16.0"	11.7"	10.1"	11.7"	5.5"	9.9"	8.8"	6.2"	8.8"	4.0"	5.1"	
	62	16.0"	16.0"	16.0"	7.9"	16.0"	9.0"	6.5"	9.0"	4.1"	5.4"	6.8"	4.2"	6.8"			
	76	13.3"	13.1"	13.3"	6.4"	13.3"	7.4"	4.8"	7.4"			5.5"		5.5"			
	90	11.2"	9.4"	11.2"	5.3"	8.9"	6.2"		6.2"			4.7"		4.4"			
	105	9.6"	7.1"	9.6"	4.4"	6.2"	5.3"		5.3"			4.0"					
120	8.4"	5.8"	8.4"		4.7"	4.7"		4.4"									
1/4" ITW TAPCON SG W/ 1-1/4" MIN EMBED AND 2-1/2" MIN. EDGE DISTANCE	33	16.0"	16.0"	16.0"	16.0"	16.0"	16.0"	16.0"	11.3"	16.0"	16.0"	16.0"	16.0"	8.4"	16.0"		
	48	16.0"	16.0"	16.0"	13.9"	16.0"	16.0"	16.0"	7.6"	16.0"	16.0"	11.4"	16.0"	5.5"	9.4"		
	62	16.0"	16.0"	16.0"	10.8"	16.0"	16.0"	12.0"	16.0"	5.7"	10.0"	12.5"	7.8"	12.5"	4.2"	6.0"	
	76	16.0"	16.0"	16.0"	8.7"	16.0"	13.6"	8.8"	13.6"	4.6"	6.9"	10.2"	6.0"	10.2"	3.4"	4.4"	
	90	16.0"	16.0"	16.0"	7.3"	16.0"	11.5"	7.0"	11.5"	3.9"	5.3"	8.6"	4.8"	8.1"		3.5"	
	105	16.0"	13.2"	16.0"	6.1"	11.4"	9.9"	5.7"	9.8"	3.3"	4.2"	7.4"	4.0"	6.5"			
120	15.5"	10.7"	15.5"	5.3"	8.7"	8.6"	4.8"	8.1"		3.5"	6.5"	3.4"	5.4"				
1/4-20 ALL POINTS SOLID-SET WITH 7/8" MIN EMBED AND 2" MIN. EDGE DISTANCE	33	16.0"	16.0"	16.0"	16.0"	16.0"	16.0"	16.0"	9.5"	16.0"	16.0"	16.0"	7.0"	16.0"			
	48	16.0"	16.0"	16.0"	11.7"	16.0"	15.9"	13.8"	15.9"	6.4"	13.5"	11.9"	8.4"	11.9"	4.6"	6.9"	
	62	16.0"	16.0"	16.0"	9.1"	16.0"	12.3"	8.8"	12.3"	4.8"	7.4"	9.2"	5.8"	9.2"	3.5"	4.4"	
	76	16.0"	16.0"	16.0"	7.4"	16.0"	10.0"	6.5"	10.0"	3.9"	5.1"	7.5"	4.4"	7.5"		3.3"	
	90	15.3"	12.8"	15.3"	6.1"	12.1"	8.5"	5.1"	8.5"	3.2"	3.9"	6.4"	3.6"	5.9"			
	105	13.1"	9.7"	13.1"	5.1"	8.4"	7.3"	4.2"	7.3"		3.1"	5.5"		4.8"			
120	11.5"	7.9"	11.5"	4.4"	6.4"	6.4"	3.6"	5.9"			4.8"		4.0"				
1/4" MILLENNIUM MILLFAST ANCHOR W/ 1-1/4" EMBED AND 1" EDGE DISTANCE	33	16.0"	16.0"	16.0"	8.5"	16.0"	10.9"	10.9"	10.9"	4.7"	10.9"	8.1"	7.7"	8.1"	3.5"	8.1"	
	48	13.4"	13.4"	13.4"	5.8"	13.4"	7.5"	6.5"	7.5"		6.3"	5.6"		5.6"			
	62	10.4"	10.4"	10.4"	4.5"	10.4"	5.8"	4.1"	5.8"			4.3"		4.3"			
	76	8.5"	8.4"	8.5"		8.5"	4.7"		4.7"								
	90	7.2"	6.0"	7.2"								4.0"					
	105	6.1"	4.6"	6.1"													
120	5.4"		5.4"														
1/4" MILLENNIUM MILLFAST ANCHOR W/ 1-1/4" EMBED AND 2-1/2" EDGE DISTANCE	33	16.0"	16.0"	16.0"	12.8"	16.0"	12.0"	12.0"	12.0"	7.1"	12.0"	9.0"	8.5"	9.0"	5.2"	9.0"	
	48	14.8"	14.8"	14.8"	8.8"	14.8"	8.2"	7.1"	8.2"	4.7"	7.0"	6.2"	4.3"	6.2"			
	62	11.5"	11.5"	11.5"	6.8"	11.5"	6.4"	4.6"	6.4"			4.8"		4.8"			
	76	9.3"	9.3"	9.3"	5.5"	9.3"	5.2"		5.2"								
	90	7.9"	6.6"	7.9"	4.5"	6.2"	4.4"		4.4"								
	105	6.8"	5.0"	6.8"		4.3"											
120	5.9"	4.1"	5.9"														
#12 SMS W/ 2" EYEWALL ARMOR INSERT W/ 1-1/4" EMBED WITH 2" EDGE DISTANCE	33	16.0"	16.0"	16.0"	15.5"	16.0"	16.0"	16.0"	16.0"	8.6"	16.0"	14.0"	13.2"	14.0"	6.4"	14.0"	
	48	16.0"	16.0"	16.0"	10.7"	16.0"	12.8"	11.1"	12.8"	5.8"	10.9"	9.6"	6.8"	9.6"	4.2"	5.6"	
	62	16.0"	16.0"	16.0"	8.3"	16.0"	9.9"	7.1"	9.9"	4.3"	5.9"	7.4"	4.6"	7.4"	3.2"	3.6"	
	76	14.5"	14.4"	14.5"	6.7"	14.5"	8.1"	5.2"	8.1"	3.5"	4.1"	6.1"	3.5"	6.1"			
	90	12.3"	10.3"	12.3"	5.5"	9.7"	6.8"	4.1"	6.8"		3.1"	5.1"		4.8"			
	105	10.5"	7.8"	10.5"	4.6"	6.7"	5.8"	3.4"	5.8"			4.4"		3.9"			
120	9.2"	6.3"	9.2"	4.0"	5.2"	5.1"		4.8"			3.8"		3.2"				

HOST STRUCT.	ANCHOR	LOAD (psf)	EDGE DISTANCES AS NOTED														
			Spans Up To 5'-0"					Spans Up To 9'-0"					Spans Up To 12'-0"				
			CONN TYPE					CONN TYPE					CONN TYPE				
	C1	C2	C3	C4	C5	C1	C2	C3	C4	C5	C1	C2	C3	C4	C5		
HOLLOW CONCRETE BLOCK	1/4" ITW S.S. TAPCON WITH 1-1/4" MIN. EMBED AND 1" MIN. EDGE DISTANCE	33	13.6"	13.6"	13.6"	6.1"	13.6"	7.6"	7.6"	7.6"	3.4"	7.6"	5.7"	5.4"	5.7"	5.7"	
		48	9.4"	9.4"	9.4"	4.2"	9.4"	5.2"	4.5"	5.2"		4.4"	3.9"	5.4"	3.9"		
		62	7.2"	7.2"	7.2"	3.2"	7.2"	4.0"		4.0"			3.0"		3.0"		
		76	5.9"	5.9"	5.9"		5.9"	3.3"		3.3"							
		90	5.0"	4.2"	5.0"		4.0"										
		105	4.3"	3.2"	4.3"												
	120	3.7"		3.7"													
	1/4" DEWALT ULTRACON WITH 1-1/4" MIN. EMBED AND 1" MIN. EDGE DISTANCE	33	16.0"	16.0"	16.0"	11.4"	16.0"	11.3"	11.3"	11.3"	6.3"	11.3"	8.5"	8.0"	8.5"		8.5"
		48	14.0"	14.0"	14.0"	7.8"	14.0"	7.8"	6.7"	7.8"		6.6"					
		62	10.8"	10.8"	10.8"	6.1"	10.8"	6.0"		6.0"							
		76	8.8"	8.8"	8.8"		8.8"			8.8"							
		90	7.5"	6.2"	7.5"												
105		6.4"		6.4"													
120																	
1/4" DEWALT PANELMATE (MALE OR PLUS) W/ 1-1/4" MIN EMBED AND 2" MIN. EDGE DISTANCE	33	16.0"	16.0"	16.0"	15.6"	16.0"	16.0"	16.0"	8.7"	16.0"	13.2"	12.5"	13.2"	6.4"	13.2"		
	48	16.0"	16.0"	16.0"	10.8"	16.0"	12.1"	10.5"	12.1"	5.8"	10.3"	9.1"	6.4"	9.1"	4.2"	5.3"	
	62	16.0"	16.0"	16.0"	8.3"	16.0"	9.4"	6.7"	9.4"	4.4"	5.6"	7.0"	4.4"	7.0"			
	76	13.8"	13.6"	13.8"	6.7"	13.8"	7.7"	5.0"	7.7"			5.7"		5.7"			
	90	11.6"	9.7"	11.6"	5.5"	9.2"	6.5"		6.5"			4.8"		4.5"			
	105	10.0"	7.4"	10.0"	4.7"	6.4"	5.5"		5.5"			4.2"					
120	8.7"	6.0"	8.7"	4.0"	4.9"	4.8"		4.5"									
1/4" ITW TAPCON SG W/ 1-1/4" MIN EMBED AND 1-1/4" MIN. EDGE DISTANCE	33	16.0"	16.0"	16.0"	12.2"	16.0"	16.0"	16.0"	6.8"	16.0"	16.0"	16.0"	16.0"	5.1"	16.0"		
	48	16.0"	16.0"	16.0"	8.4"	16.0"	16.0"	16.0"	4.6"	16.0"	16.0"	11.4"	16.0"	3.4"	9.4"		
	62	16.0"	16.0"	16.0"	6.5"	16.0"	12.0"	16.0"	3.5"	10.0"	12.5"	7.8"	12.5"		6.0"		
	76	16.0"	16.0"	16.0"	5.3"	16.0"	13.6"	8.8"	13.6"		6.9"	10.2"	6.0"	10.2"		4.4"	
	90	16.0"	16.0"	16.0"	4.4"	16.0"	11.5"	7.0"	11.5"		5.3"	8.6"	4.8"	8.1"		3.5"	
	105	16.0"	13.2"	16.0"	3.7"	11.4"	9.9"	5.7"	9.8"		4.2"	7.4"	4.0"	6.5"			
120	15.5"	10.7"	15.5"	3.3"	8.7"	8.6"	4.8"	8.1"		3.5"	6.5"	3.4"	5.4"				
1/4-20 ALL POINTS SOLID-SET WITH 7/8" MIN EMBED AND 1-1/4" MIN. EDGE DISTANCE	33	16.0"	16.0"	16.0"	10.3"	16.0"	13.4"	13.4"	5.7"	13.4"	10.1"	9.5"	10.1"	4.2"	10.1"		
	48	16.0"	16.0"	16.0"	7.1"	16.0"	9.2"	8.0"	9.2"	3.8"	7.9"	6.9"	4.9"	6.9"		4.0"	
	62	12.9"	12.9"	12.9"	5.5"	12.9"	7.2"	5.1"	7.2"		4.3"	5.4"	3.4"	5.4"			
	76	10.5"	10.4"	10.5"	4.4"	10.5"	5.8"	3.8"	5.8"		3.0"	4.4"		4.4"			
	90	8.9"	7.4"	8.9"	3.7"	7.0"	4.9"	3.0"	4.9"			3.7"		3.5"			
	105	7.6"	5.7"	7.6"	3.1"	4.9"	4.2"		4.2"			3.2"					
120	6.7"	4.6"	6.7"		3.7"	3.7"		3.5"									
1/4" EA MALE BOLT, 1-1/4" EMBED AND 1.25" EDGE DISTANCE	33	16.0"	16.0"	16.0"	16.0"	16.0"	16.0"	16.0"	12.6"	16.0"	16.0"	16.0"	16.0"	9.3"	16.0"		
	48	16.0"	16.0"	16.0"	15.6"	16.0"	16.0"	16.0"									

C:\Users\rickn\Engineering\Projects\20-26144 - FL12856.1 - 0.050 Aluminum Storm Panel\WP2020 FBCV20-26144.d - FL12856.1 - DWG.dwg  
 10/06/2020 - 4:55pm  
 rickn

HOST STRUCT.	ANCHOR	LOAD (psf)	EDGE DISTANCES AS NOTED																																																																																																																																																																																																																																																																																																																																																																																																																																																																																																																																																																																																																																																																																																																
			Spans Up To 5'-0"					Spans Up To 9'-0"					Spans Up To 12'-0"																																																																																																																																																																																																																																																																																																																																																																																																																																																																																																																																																																																																																																																																																																						
			CONN TYPE					CONN TYPE					CONN TYPE																																																																																																																																																																																																																																																																																																																																																																																																																																																																																																																																																																																																																																																																																																						
C1	C2	C3	C4	C5	C1	C2	C3	C4	C5	C1	C2	C3	C4	C5																																																																																																																																																																																																																																																																																																																																																																																																																																																																																																																																																																																																																																																																																																					
GROUT-FILLED CONCRETE BLOCK	#12 SMS W/ 2" EYEWALL ARMOR INSERT W/ 2" EMBED AND 2" EDGE DISTANCE	33	16.0"	16.0"	16.0"	16.0"	16.0"	16.0"	16.0"	10.6"	16.0"	16.0"	16.0"	7.8"	16.0"	48	16.0"	16.0"	16.0"	13.1"	16.0"	16.0"	16.0"	7.1"	16.0"	15.8"	11.1"	15.8"	5.2"	9.2"	62	16.0"	16.0"	16.0"	10.1"	16.0"	16.0"	11.7"	16.0"	5.4"	9.8"	12.2"	7.6"	12.2"	4.0"	5.9"	76	16.0"	16.0"	16.0"	8.2"	16.0"	13.3"	8.6"	13.3"	4.3"	6.7"	10.0"	5.8"	10.0"	3.2"	4.3"	90	16.0"	16.0"	16.0"	6.8"	16.0"	11.2"	6.8"	11.2"	3.6"	5.1"	8.4"	4.7"	7.9"		3.4"	105	16.0"	12.9"	16.0"	5.8"	11.1"	9.6"	5.6"	9.6"	3.1"	4.1"	7.2"	3.9"	6.3"			120	15.1"	10.4"	15.1"	5.0"	8.5"	8.4"	4.7"	7.9"		3.4"	6.3"	3.3"	5.3"			5/16" ITW TAPCON XL W/ 2-1/4" MIN. EMBED AND 4" EDGE DISTANCE	33	16.0"	16.0"	16.0"	16.0"	16.0"	16.0"	16.0"	16.0"	16.0"	16.0"	16.0"	16.0"	16.0"	16.0"	48	16.0"	16.0"	16.0"	16.0"	16.0"	16.0"	16.0"	16.0"	16.0"	16.0"	16.0"	16.0"	16.0"	13.5"	16.0"	62	16.0"	16.0"	16.0"	16.0"	16.0"	16.0"	16.0"	16.0"	16.0"	16.0"	16.0"	16.0"	16.0"	15.2"	16.0"	11.7"	76	16.0"	16.0"	16.0"	16.0"	16.0"	16.0"	16.0"	16.0"	16.0"	16.0"	16.0"	11.2"	13.4"	16.0"	11.6"	16.0"	8.2"	8.6"	90	16.0"	16.0"	16.0"	16.0"	16.0"	16.0"	13.5"	16.0"	9.3"	10.2"	16.0"	9.3"	15.7"	6.9"	6.8"	105	16.0"	16.0"	16.0"	14.9"	16.0"	16.0"	11.1"	16.0"	7.9"	8.1"	14.4"	7.7"	12.6"	5.9"	5.5"	120	16.0"	16.0"	16.0"	12.9"	16.0"	16.0"	9.3"	15.7"	6.9"	6.8"	12.6"	6.6"	10.6"	5.1"	4.7"	5/16" DEWALT ULTRACON W/ 2-1/4" MIN. EMBED	33	16.0"	16.0"	16.0"	16.0"	16.0"	16.0"	16.0"	16.0"	16.0"	16.0"	16.0"	16.0"	16.0"	16.0"	48	16.0"	16.0"	16.0"	16.0"	16.0"	16.0"	13.9"	16.0"	8.8"	13.7"	12.1"	8.5"	12.1"	6.3"	7.0"	62	16.0"	16.0"	16.0"	16.0"	16.0"	16.0"	16.0"	16.0"	16.0"	16.0"	16.0"	16.0"	16.0"	16.0"	16.0"	16.0"	16.0"	16.0"	16.0"	76	16.0"	16.0"	16.0"	16.0"	16.0"	16.0"	16.0"	16.0"	16.0"	16.0"	16.0"	16.0"	16.0"	16.0"	16.0"	16.0"	16.0"	16.0"	16.0"	90	15.5"	12.9"	15.5"	8.4"	12.2"	8.6"	5.2"	8.6"			6.4"		6.0"			105	13.3"	9.9"	13.3"	7.0"	8.5"	7.4"		7.4"			5.5"					120	11.6"	8.0"	11.6"	6.1"	6.5"	6.4"		6.0"								1/4" DEWALT ULTRACON, 2 1/4" EMBED AND 2.5" MIN. EDGE DISTANCE	33	16.0"	16.0"	16.0"	16.0"	16.0"	16.0"	16.0"	16.0"	16.0"	16.0"	16.0"	16.0"	16.0"	9.3"	16.0"	48	16.0"	16.0"	16.0"	15.5"	16.0"	16.0"	16.0"	16.0"	8.4"	16.0"	16.0"	16.0"	16.0"	12.0"	16.0"	6.2"	9.9"	62	16.0"	16.0"	16.0"	12.0"	16.0"	16.0"	12.6"	16.0"	6.4"	10.6"	13.2"	8.3"	13.2"	4.7"	6.3"	76	16.0"	16.0"	16.0"	9.7"	16.0"	14.4"	9.3"	14.4"	5.1"	7.3"	10.8"	6.3"	10.8"	3.8"	4.7"	90	16.0"	16.0"	16.0"	8.1"	16.0"	12.1"	7.4"	12.1"	4.3"	5.5"	9.1"	5.1"	8.5"		3.7"	105	16.0"	14.0"	16.0"	6.8"	12.0"	10.4"	6.0"	10.4"	3.6"	4.4"	7.8"	4.2"	6.9"			120	16.0"	11.3"	16.0"	5.9"	9.2"	9.1"	5.1"	8.5"		3.7"	6.8"	3.6"	5.7"			1/4" EA MALE BOLT, 2-1/4" EMBED AND 1.25" MIN. EDGE DISTANCE	33	16.0"	16.0"	16.0"	16.0"	16.0"	16.0"	16.0"	16.0"	16.0"	16.0"	16.0"	16.0"	16.0"	10.1"	16.0"	48	16.0"	16.0"	16.0"	16.0"	16.0"	16.0"	16.0"	16.0"	9.1"	16.0"	16.0"	16.0"	16.0"	12.7"	16.0"	6.7"	10.5"	62	16.0"	16.0"	16.0"	13.0"	16.0"	16.0"	13.4"	16.0"	6.9"	11.2"	14.0"	8.7"	14.0"	5.1"	6.7"	76	16.0"	16.0"	16.0"	10.5"	16.0"	15.2"	9.8"	15.2"	5.5"	7.7"	11.4"	6.7"	11.4"	4.1"	4.9"	90	16.0"	16.0"	16.0"	8.7"	16.0"	12.9"	7.8"	12.9"	4.6"	5.9"	9.6"	5.4"	9.0"		3.9"	105	16.0"	14.8"	16.0"	7.4"	12.7"	11.0"	6.4"	11.0"	3.9"	4.7"	8.3"	4.5"	7.3"			120	16.0"	12.0"	16.0"	6.4"	9.7"	9.6"	5.4"	9.0"		3.9"	7.2"	3.8"	6.1"			1/4" EA MALE BOLT, 2-1/2" EMBED AND 1.25" MIN. EDGE DISTANCE	33	16.0"	16.0"	16.0"	16.0"	16.0"	16.0"	16.0"	16.0"	16.0"	16.0"	16.0"	16.0"	16.0"	11.0"	16.0"	48	16.0"	16.0"	16.0"	16.0"	16.0"	16.0"	16.0"	16.0"	10.0"	16.0"	16.0"	16.0"	16.0"	12.7"	16.0"	7.3"	10.5"	62	16.0"	16.0"	16.0"	14.3"	16.0"	16.0"	13.4"	16.0"	7.5"	11.2"	14.0"	8.7"	14.0"	5.5"	6.7"	76	16.0"	16.0"	16.0"	11.6"	16.0"	15.2"	9.8"	15.2"	6.0"	7.7"	11.4"	6.7"	11.4"	4.5"	4.9"	90	16.0"	16.0"	16.0"	9.6"	16.0"	12.9"	7.8"	12.9"	5.1"	5.9"	9.6"	5.4"	9.0"	3.7"	3.9"	105	16.0"	14.8"	16.0"	8.1"	12.7"	11.0"	6.4"	11.0"	4.3"	4.7"	8.3"	4.5"	7.3"			120	16.0"	12.0"	16.0"	7.0"	9.7"	9.6"	5.4"	9.0"	3.7"	3.9"	7.2"	3.8"	6.1"		

HOST STRUCT.	ANCHOR	LOAD (psf)	3/4" MIN EDGE DISTANCE																																																																																																																																																																																																																													
			Spans Up To 5'-0"					Spans Up To 9'-0"					Spans Up To 12'-0"																																																																																																																																																																																																																			
			CONN TYPE					CONN TYPE					CONN TYPE																																																																																																																																																																																																																			
C1	C2	C3	C4	C5	C1	C2	C3	C4	C5	C1	C2	C3	C4	C5																																																																																																																																																																																																																		
WOOD (G=0.55 MIN.)	1/4" EA MALE BOLT, 1-1/2" EMBED	33	16.0"	16.0"	16.0"	16.0"	16.0"	16.0"	16.0"	12.3"	16.0"	16.0"	16.0"	16.0"	9.2"	16.0"	48	16.0"	16.0"	16.0"	15.2"	16.0"	16.0"	16.0"	16.0"	8.3"	16.0"	16.0"	16.0"	6.2"	15.9"	62	16.0"	16.0"	16.0"	11.8"	16.0"	16.0"	16.0"	16.0"	6.4"	16.0"	16.0"	13.2"	16.0"	4.7"	10.2"	76	16.0"	16.0"	16.0"	9.6"	16.0"	16.0"	14.9"	16.0"	5.1"	11.7"	16.0"	10.1"	16.0"	3.8"	7.5"	90	16.0"	16.0"	16.0"	8.0"	16.0"	16.0"	11.8"	16.0"	4.3"	8.9"	14.6"	8.2"	13.6"	3.2"	5.9"	105	16.0"	16.0"	16.0"	6.8"	16.0"	16.0"	9.6"	16.0"	3.7"	7.1"	12.5"	6.8"	11.0"	2.7"	4.8"	120	16.0"	16.0"	16.0"	5.9"	14.7"	14.6"	8.2"	13.6"	3.2"	5.9"	11.0"	5.8"	9.2"	2.4"	4.1"	1/4" EA MALE BOLT, 2" EMBED	33	16.0"	16.0"	16.0"	16.0"	16.0"	16.0"	16.0"	16.0"	13.3"	16.0"	16.0"	16.0"	16.0"	9.9"	16.0"	48	16.0"	16.0"	16.0"	16.0"	16.0"	16.0"	16.0"	16.0"	9.1"	16.0"	16.0"	16.0"	16.0"	6.7"	16.0"	62	16.0"	16.0"	16.0"	12.8"	16.0"	16.0"	16.0"	16.0"	6.9"	16.0"	16.0"	16.0"	16.0"	5.2"	15.2"	76	16.0"	16.0"	16.0"	10.4"	16.0"	16.0"	16.0"	16.0"	5.6"	16.0"	16.0"	15.1"	16.0"	4.2"	11.2"	90	16.0"	16.0"	16.0"	8.7"	16.0"	16.0"	16.0"	16.0"	4.7"	13.3"	16.0"	12.2"	16.0"	3.5"	8.8"	105	16.0"	16.0"	16.0"	7.4"	16.0"	16.0"	14.4"	16.0"	4.0"	10.6"	16.0"	10.1"	16.0"	3.0"	7.2"	120	16.0"	16.0"	16.0"	6.4"	16.0"	16.0"	12.2"	16.0"	3.5"	8.8"	16.0"	8.6"	13.8"	2.6"	6.1"

HOST STRUCT.	ANCHOR	LOAD (psf)	3/4" MIN EDGE DISTANCE																																																																																																																																																																																																																																																																																																																																																																																											
			Spans Up To 5'-0"					Spans Up To 9'-0"					Spans Up To 12'-0"																																																																																																																																																																																																																																																																																																																																																																																	
			CONN TYPE					CONN TYPE					CONN TYPE																																																																																																																																																																																																																																																																																																																																																																																	
C1	C2	C3	C4	C5	C1	C2	C3	C4	C5	C1	C2	C3	C4	C5																																																																																																																																																																																																																																																																																																																																																																																
WOOD (G=0.42 MIN.)	1/4" LAG SCREW OR HANGER BOLT WITH 1.5" MIN THREAD PENETRATION	33	16.0"	16.0"	16.0"	15.9"	16.0"	16.0"	16.0"	16.0"	16.0"	16.0"	16.0"	16.0"	16.0"	16.0"	48	16.0"	16.0"	16.0"	11.0"	16.0"	16.0"	16.0"	16.0"	6.0"	16.0"	16.0"	12.2"	16.0"	4.4"	10.1"	62	16.0"	16.0"	16.0"	8.5"	16.0"	16.0"	12.8"	16.0"	4.6"	10.7"	13.4"	8.4"	13.4"	3.4"	6.4"	76	16.0"	16.0"	16.0"	6.9"	16.0"	14.6"	9.4"	14.6"	3.7"	7.4"	10.9"	6.4"	10.9"	2.7"	4.7"	90	16.0"	16.0"	16.0"	5.7"	16.0"	12.3"	7.5"	12.3"	3.1"	5.6"	9.2"	5.2"	8.6"	2.3"	3.7"	105	16.0"	14.1"	16.0"	4.9"	12.2"	10.6"	6.1"	10.5"	2.6"	4.5"	7.9"	4.3"	7.0"	2.0"	3.0"	120	16.0"	11.5"	16.0"	4.2"	9.3"	9.2"	5.2"	8.6"	2.3"	3.7"	6.9"	3.7"	5.8"		2.6"	#14 WOOD SCREW OR SMS WITH 1.5" MIN. THREAD PENETRATION	33	16.0"	16.0"	16.0"	15.1"	16.0"	16.0"	16.0"	16.0"	16.0"	16.0"	16.0"	16.0"	16.0"	6.2"	16.0"	48	16.0"	16.0"	16.0"	10.4"	16.0"	16.0"	14.0"	16.0"	5.6"	13.8"	12.2"	8.6"	12.2"	4.1"	7.1"	62	16.0"	16.0"	16.0"	8.0"	16.0"	12.6"	9.0"	12.6"	4.3"	7.5"	9.4"	5.9"	9.4"	3.1"	4.5"	76	16.0"	16.0"	16.0"	6.5"	16.0"	10.2"	6.6"	10.2"	3.4"	5.2"	7.7"	4.5"	7.7"	2.5"	3.3"	90	15.6"	13.0"	15.6"	5.4"	12.3"	8.7"	5.2"	8.7"	2.9"	4.0"	6.5"	3.6"	6.1"	2.1"	2.6"	105	13.3"	9.9"	13.3"	4.6"	8.6"	7.4"	4.3"	7.4"	2.4"	3.1"	5.6"	3.0"	4.9"		2.1"	120	11.7"	8.0"	11.7"	3.9"	6.5"	6.5"	3.6"	6.1"	2.1"	2.6"	4.9"	2.6"	4.1"			1/4" DEWALT PANELMATE (FEMALE, MALE, OR PLUS) W/ 1-7/8" MIN EMBED	33	16.0"	16.0"	16.0"	16.0"	16.0"	16.0"	16.0"	16.0"	16.0"	16.0"	16.0"	16.0"	16.0"	5.2"	16.0"	48	16.0"	16.0"	16.0"	8.6"	16.0"	15.7"	13.6"	15.7"	4.7"	13.4"	11.8"	8.3"	11.8"	3.5"	6.9"	62	16.0"	16.0"	16.0"	6.7"	16.0"	12.2"	8.7"	12.2"	3.6"	7.3"	9.1"	5.7"	9.1"	2.6"	4.4"	76	16.0"	16.0"	16.0"	5.4"	16.0"	9.9"	6.4"	9.9"	2.9"	5.0"	7.5"	4.4"	7.5"	2.1"	3.2"	90	15.1"	12.6"	15.1"	4.5"	12.0"	8.4"	5.1"	8.4"	2.4"	3.8"	6.3"	3.5"	5.9"		2.5"	105	13.0"	9.6"	13.0"	3.8"	8.3"	7.2"	4.2"	7.2"	2.1"	3.1"	5.4"	2.9"	4.7"		2.1"	120	11.3"	7.8"	11.3"	3.3"	6.4"	6.3"	3.5"	5.9"		2.5"	4.7"	2.5"	4.0"			1/4" EA MALE BOLT, 1-1/2" EMBED	33	16.0"	16.0"	16.0"	16.0"	16.0"	16.0"	16.0"	16.0"	16.0"	16.0"	16.0"	16.0"	16.0"	6.6"	16.0"	48	16.0"	16.0"	16.0"	11.0"	16.0"	16.0"	16.0"	16.0"	6.0"	16.0"	16.0"	16.0"	16.0"	4.4"	12.6"	62	16.0"	16.0"	16.0"	8.5"	16.0"	16.0"	16.0"	16.0"	4.6"	13.