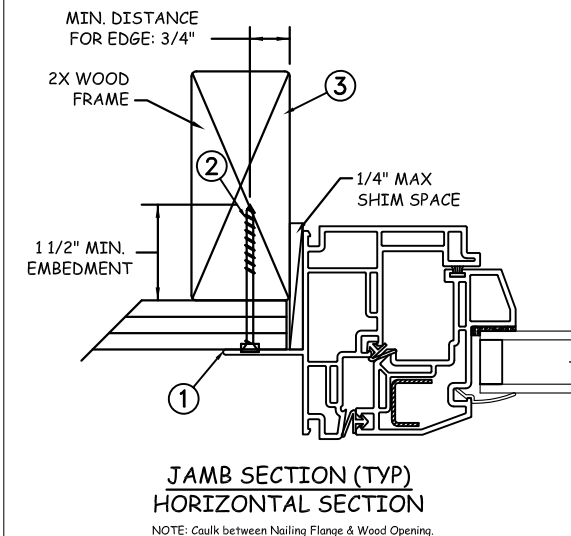


## NAIL FIN INSTALLATION



Max Frame	DP RATING	IMPACT
36 x 72	+55/-65	NO

### Installation Notes:

1. Seal flange/frame to substrate.
2. Use #10 PH or greater fastener through the nail fin with sufficient length to penetrate a minimum of 1 1/2" into the wood framing. For 2X wood frame substrate (min. S.G. = 0.42).
3. Host structure (wood buck, masonry, steel) to be designed and anchored to properly transfer all loads to the structure. The host structure is the responsibility of the architect or engineer of record for the project of installation.

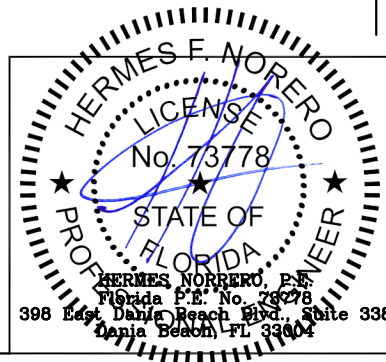
This schedule addresses only the fasteners required to anchor the window to achieve the rated design pressure up to the size limitations noted. It is not intended as a guide to the installation process and does not address the sealing consideration that may arise in different wall conditions. For the complete installation procedure, see the instructions packaged with the window or go to [www.jeld-wen.com/resources/installation](http://www.jeld-wen.com/resources/installation).

### DISCLAIMER:

This drawing and its contents are confidential and are not to be reproduced or copied in whole or in part or used or disclosed to others except as authorized by JELD-WEN Inc.

### General Notes:

1. The product shown herein is designed, tested and manufactured to comply with the wind load criteria of the adopted International Building Code(IBC), the International Residential Code(IRC), the Florida Building Code(FBC) including HVHZ and the industry requirement for the stated conditions.
2. All glazing shall conform to ASTM E1300.
3. At minimum, glazing shall be 3/16" - 3/16" annealed insulating glass.
4. Use structural or composite shims where required.
5. Installation methods can be interchanged within the same opening.
6. An impact protective system is required where wind borne debris protection is mandated by local building code.
7. Maximum sizes are buck sizes and do not include fin or flange.



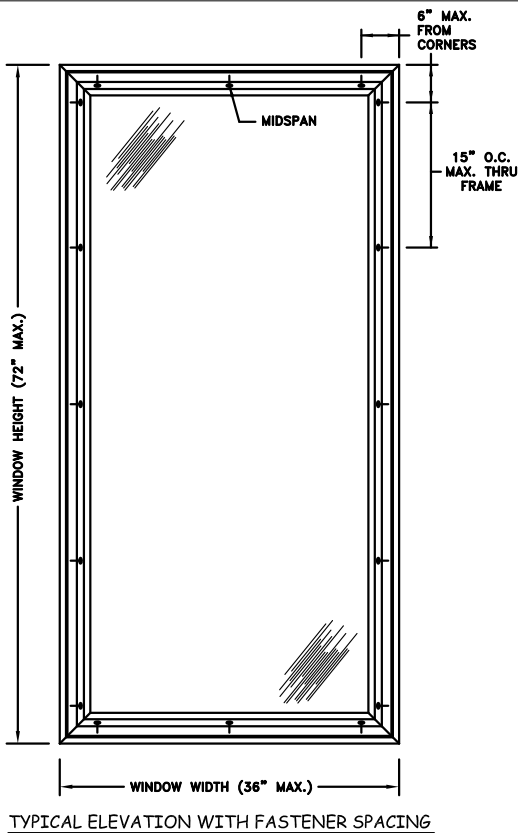
PROJECT ENGINEER: --	DATE: 01/30/2014
DRAWN BY: D. Vezo	SCALE: NTS
CHECKED BY: J. Kantola	TITLE:
APPROVED BY: --	
PART/PROJECT No.:	
D009451	
IDENTIFIER No. NCTL210-3904-1	PLANT NAME AND LOCATION: -FBC

# JELD-WEN

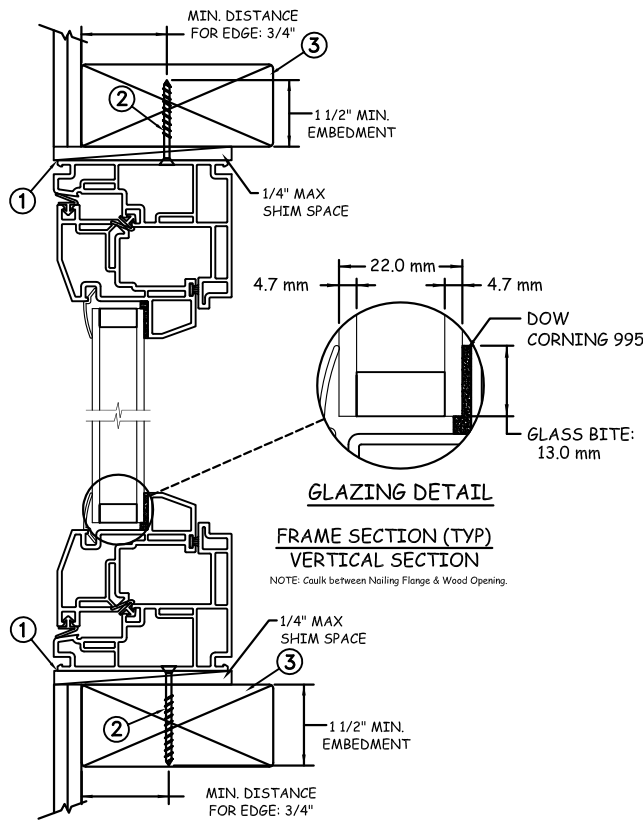
3737 Lakeport Blvd  
Klamath Falls, OR. 97601  
Phone: (541) 882-3451

Premium Atlantic Vinyl Casement Window  
Nail Fin Installation (36" x 72")

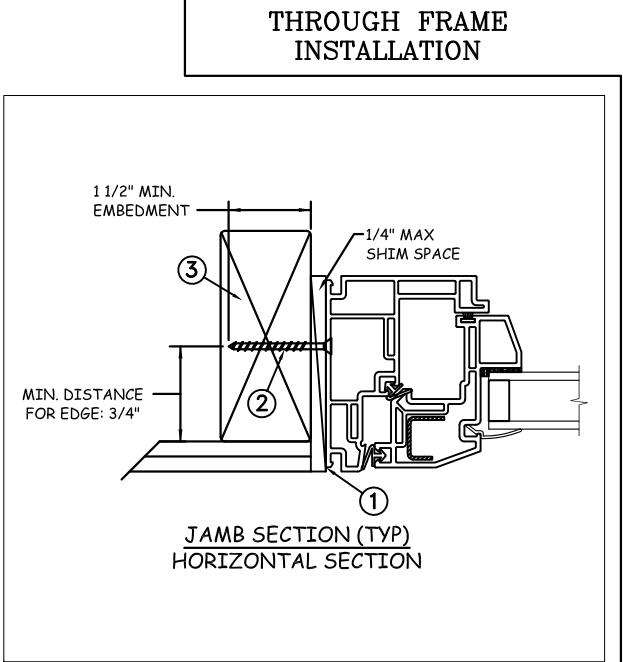
CAD DWG. No.:	REV: 00	SHEET 1 OF 4
---------------	---------	--------------



TYPICAL ELEVATION WITH FASTENER SPACING



FRAME SECTION (TYP)  
VERTICAL SECTION  
NOTE: Caulk between Nailing Flange & Wood Opening.



JAMB SECTION (TYP)  
HORIZONTAL SECTION

Max Frame	DP RATING	IMPACT
36 x 72	+55/-65	NO

**Installation Notes:**

1. Seal flange/frame to substrate.
2. Use #10 PH or greater fastener through the frame with sufficient length to penetrate a minimum of 1 1/2" into the wood framing. For 2X wood frame substrate (min. S.G. = 0.42).
3. Host structure (wood buck, masonry, steel) to be designed and anchored to properly transfer all loads to the structure. The host structure is the responsibility of the architect or engineer of record for the project of installation.

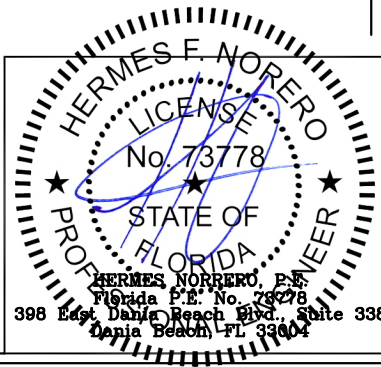
**General Notes:**

1. The product shown herein is designed, tested and manufactured to comply with the wind load criteria of the adopted International Building Code(IBC), the International Residential Code(IRC), the Florida Building Code(FBC) including HVHZ and the industry requirement for the stated conditions.
2. All glazing shall conform to ASTM E1300.
3. At minimum, glazing shall be 3/16" - 3/16" annealed insulating glass.
4. Use structural or composite shims where required.
5. Installation methods can be interchanged within the same opening.
6. An impact protective system is required where wind borne debris protection is mandated by local building code.
7. Maximum sizes are buck sizes and do not include fin or flange.

This schedule addresses only the fasteners required to anchor the window to achieve the rated design pressure up to the size limitations noted. It is not intended as a guide to the installation process and does not address the sealing consideration that may arise in different wall conditions. For the complete installation procedure, see the instructions packaged with the window or go to [www.jeld-wen.com/resources/installation](http://www.jeld-wen.com/resources/installation).

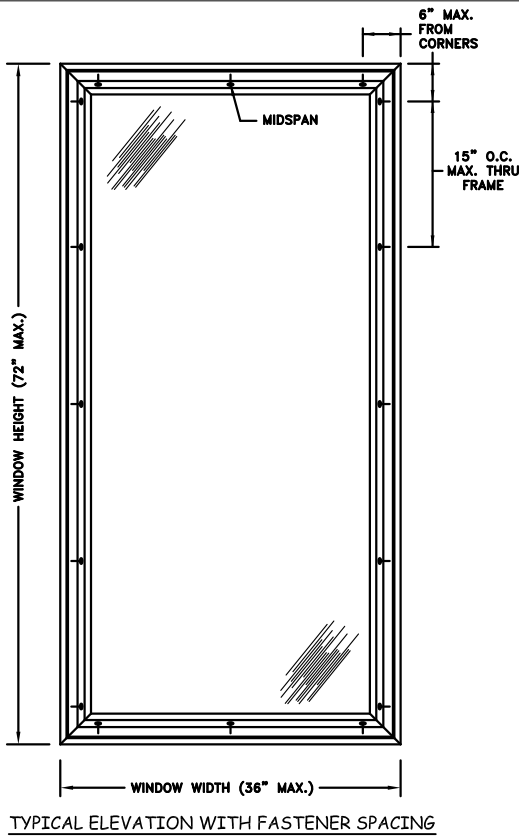
**DISCLAIMER:**

This drawing and its contents are confidential and are not to be reproduced or copied in whole or in part or used or disclosed to others except as authorized by JELD-WEN Inc.

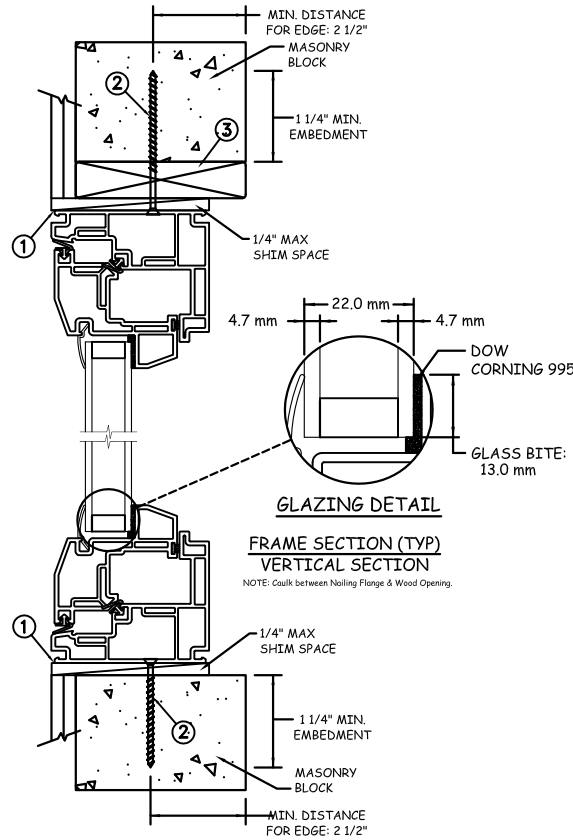


PROJECT ENGINEER: --	DATE: 01/30/2014	<b>JELD WEN</b> 3737 Lakeport Blvd Klamath Falls, OR. 97601 Phone: (541) 882-3451
DRAWN BY: D. Vezo	SCALE: NTS	
CHECKED BY: J. Kantola	TITLE: Premium Atlantic Vinyl Casement Window Through Frame Installation (36" x 72")	
APPROVED BY: --		
PART/PROJECT No.:		
D009451		
IDENTIFIER No. NCTL210-3904-1	PLANT NAME AND LOCATION: -FBC	CAD DWG. No.:
		REV: 00
		SHEET 2 OF 4

**MASONRY INSTALLATION**



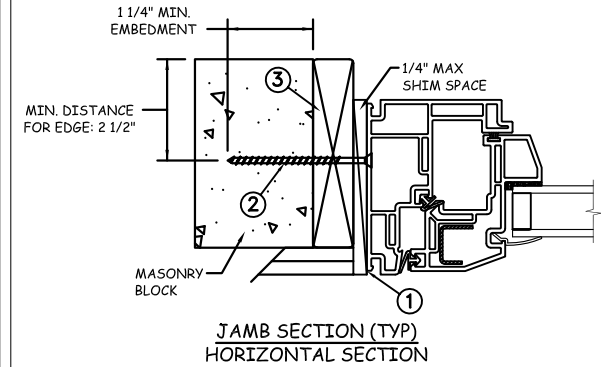
TYPICAL ELEVATION WITH FASTENER SPACING



GLAZING DETAIL

FRAME SECTION (TYP)  
VERTICAL SECTION

NOTE: Caulk between Nailing Flange & Wood Opening.



JAMB SECTION (TYP)  
HORIZONTAL SECTION

Max Frame	DP RATING	IMPACT
36 x 72	+55/-65	NO

**Installation Notes:**

1. Seal flange/frame to substrate.
2. Use 3/16" Tapcon or equivalent fasteners through frame with sufficient length to penetrate a minimum of 1 1/4" into concrete or masonry at each location with a 2 1/2" min from edge distance. For concrete (min. f'c = 3000psi) or masonry substrate (CMU shall adhere to ASTM C90).
3. Host structure (wood buck, masonry, steel) to be designed and anchored to properly transfer all loads to the structure. The host structure is the responsibility of the architect or engineer of record for the project of installation.

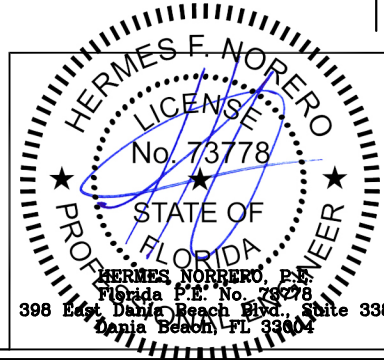
This schedule addresses only the fasteners required to anchor the window to achieve the rated design pressure up to the size limitations noted. It is not intended as a guide to the installation process and does not address the sealing consideration that may arise in different wall conditions. For the complete installation procedure, see the instructions packaged with the window or go to [www.jeld-wen.com/resources/installation](http://www.jeld-wen.com/resources/installation).

**DISCLAIMER:**

This drawing and its contents are confidential and are not to be reproduced or copied in whole or in part or used or disclosed to others except as authorized by JELD-WEN Inc.

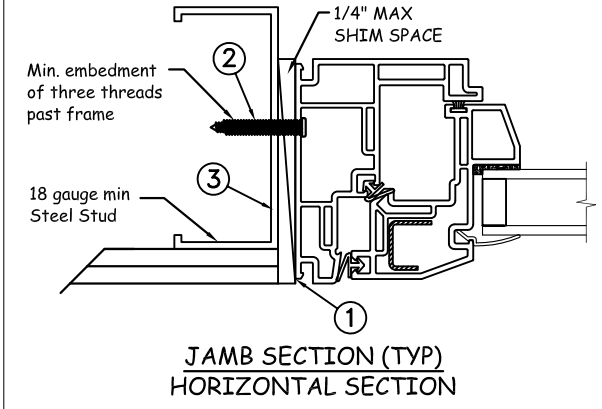
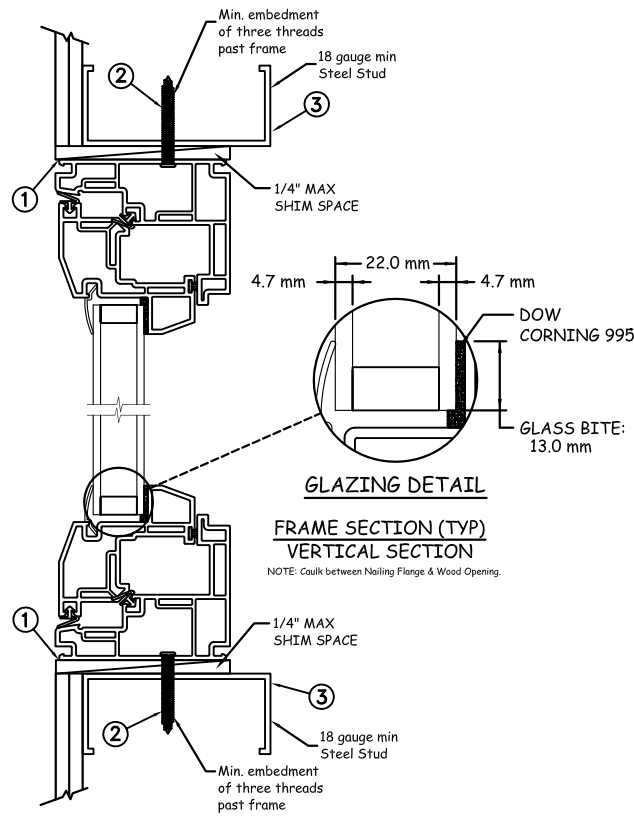
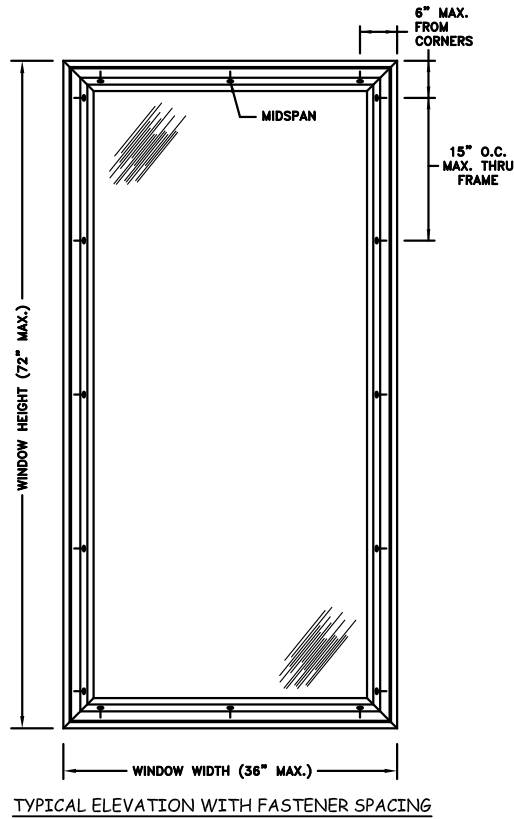
**General Notes:**

1. The product shown herein is designed, tested and manufactured to comply with the wind load criteria of the adopted International Building Code(IBC), the International Residential Code(IRC), the Florida Building Code(FBC) including HVHZ and the industry requirement for the stated conditions.
2. All glazing shall conform to ASTM E1300.
3. At minimum, glazing shall be 3/16" - 3/16" annealed insulating glass.
4. Use structural or composite shims where required.
5. Installation methods can be interchanged within the same opening.
6. An impact protective system is required where wind borne debris protection is mandated by local building code.
7. Maximum sizes are buck sizes and do not include fin or flange.



PROJECT ENGINEER: --	DATE: 01/30/2014	<b>JELD WEN</b> 3737 Lakeport Blvd Klamath Falls, OR. 97601 Phone: (541) 882-3451
DRAWN BY: D. Vezo	SCALE: NTS	
CHECKED BY: J. Kantola	TITLE:  Premium Atlantic Vinyl Casement Window Masonry Installation (36" x 72")	
APPROVED BY: --	PART/PROJECT No.:	
	D009451	
IDENTIFIER No. NCTL210-3904-1	PLANT NAME AND LOCATION: -FBC	CAD DWG. No.:
		REV: 00 SHEET 3 OF 4

**STEEL INSTALLATION**



<b>Max Frame</b>	<b>DP RATING</b>	<b>IMPACT</b>
36 x 72	+55/-65	NO

**Installation Notes:**

1. Seal flange/frame to substrate.
2. For anchoring into metal framing use #10 TEK Self Tapping screws with sufficient length to achieve a minimum embedment of three threads past the frame thickness. Steel substrate min. 18ga., fy = 33 ksi.
3. Host structure (wood buck, masonry, steel) to be designed and anchored to properly transfer all loads to the structure. The host structure is the responsibility of the architect or engineer of record for the project of installation.

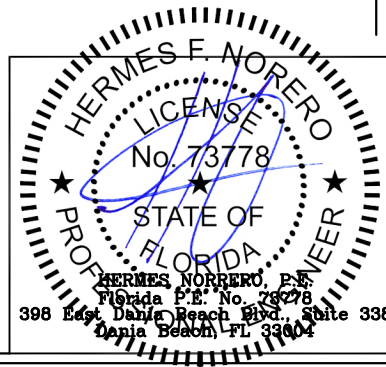
**General Notes:**

1. The product shown herein is designed, tested and manufactured to comply with the wind load criteria of the adopted International Building Code(IBC), the International Residential Code(IRC), the Florida Building Code(FBC) including HVHZ and the industry requirement for the stated conditions.
2. All glazing shall conform to ASTM E1300.
3. At minimum, glazing shall be 3/16" - 3/16" annealed insulating glass.
4. Use structural or composite shims where required.
5. Installation methods can be interchanged within the same opening.
6. An impact protective system is required where wind borne debris protection is mandated by local building code.
7. Maximum sizes are buck sizes and do not include fin or flange.

This schedule addresses only the fasteners required to anchor the window to achieve the rated design pressure up to the size limitations noted. It is not intended as a guide to the installation process and does not address the sealing consideration that may arise in different wall conditions. For the complete installation procedure, see the instructions packaged with the window or go to [www.jeld-wen.com/resources/installation](http://www.jeld-wen.com/resources/installation).

**DISCLAIMER:**

This drawing and its contents are confidential and are not to be reproduced or copied in whole or in part or used or disclosed to others except as authorized by JELD-WEN Inc.



PROJECT ENGINEER: --	DATE: 01/30/2014
DRAWN BY: D. Vezo	SCALE: NTS
CHECKED BY: J. Kantola	TITLE:
APPROVED BY: --	
PART/PROJECT No.:	
D009451	
IDENTIFIER No. NCTL210-3904-1	PLANT NAME AND LOCATION: -FBC

**JELD-WEN** 3737 Lakeport Blvd  
Klamath Falls, OR. 97601  
Phone: (541) 882-3451

Premium Atlantic Vinyl Casement Window  
Steel Installation (36" x 72")

CAD DWG. No.:	REV: 00	SHEET 4 OF 4
---------------	---------	--------------