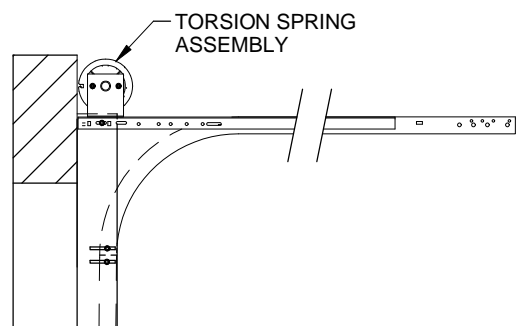


DOORS TESTED PER
ANSI/DASMA 108
FOR STATIC AIR PRESSURE

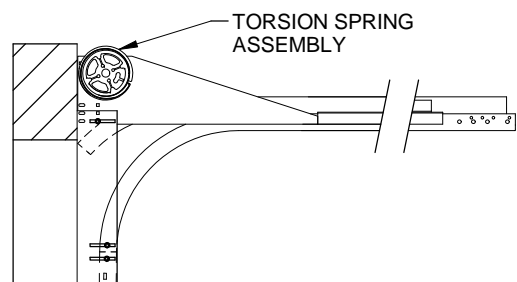
MAXIMUM DOOR WIDTH	DESIGN LOAD	
10' - 2"	+ 34.0	- 38.5

Scott A. Brown P.E.
F.P.E #65940
698 Timber Creek Road
Dixon Illinois 61021

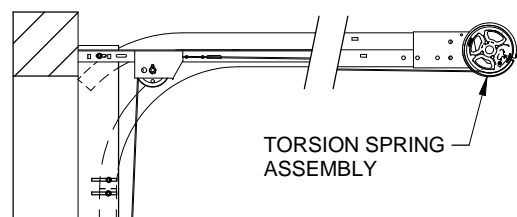
SCALE: NONE		DRAWN BY: G.WEDEKIND		TITLE: SPEC, WIND LOAD ALUMAVIEW AND STYLEVIEW	
B	1) WAS RICHARD A. BAUMANN, P.E.; 2) UPDATED JAMB ATTACHMENTS	7802.01	09/25/17	CHECKED BY: GW	RAYNOR GARAGE DOORS BOX 448 EAST RIVER ROAD DIXON, ILL. 61021
A	RELEASED FOR PRODUCTION	6338.02	07/03/12	DATE: 07/03/12	
REV.	DESCRIPTION	ECN NO.	DATE	ECN NO.: 6338.02	NO. P-2412
					SHEET 1 OF 4
					REV B



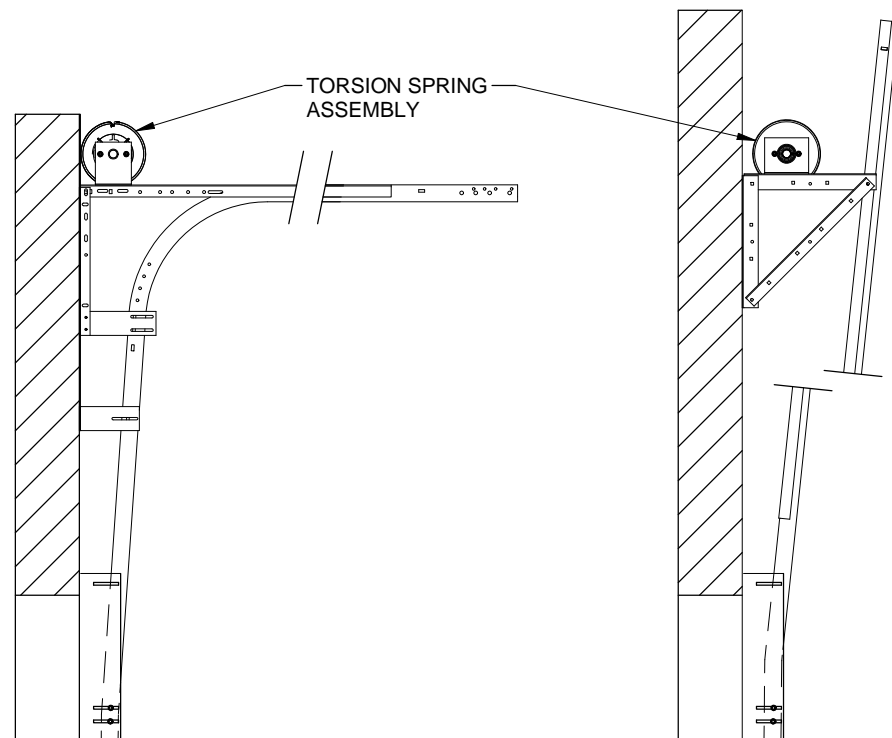
NORMAL HEADROOM TRACK
2" TRACK ANGLE MOUNT SHOWN
2" TRACK BRACKET MOUNT AVAILABLE
3" TRACK ANGLE MOUNT AVAILABLE



FRONT MOUNT LOW HEADROOM TRACK
2" TRACK ANGLE MOUNT SHOWN
2" TRACK BRACKET MOUNT AVAILABLE
3" TRACK ANGLE MOUNT AVAILABLE

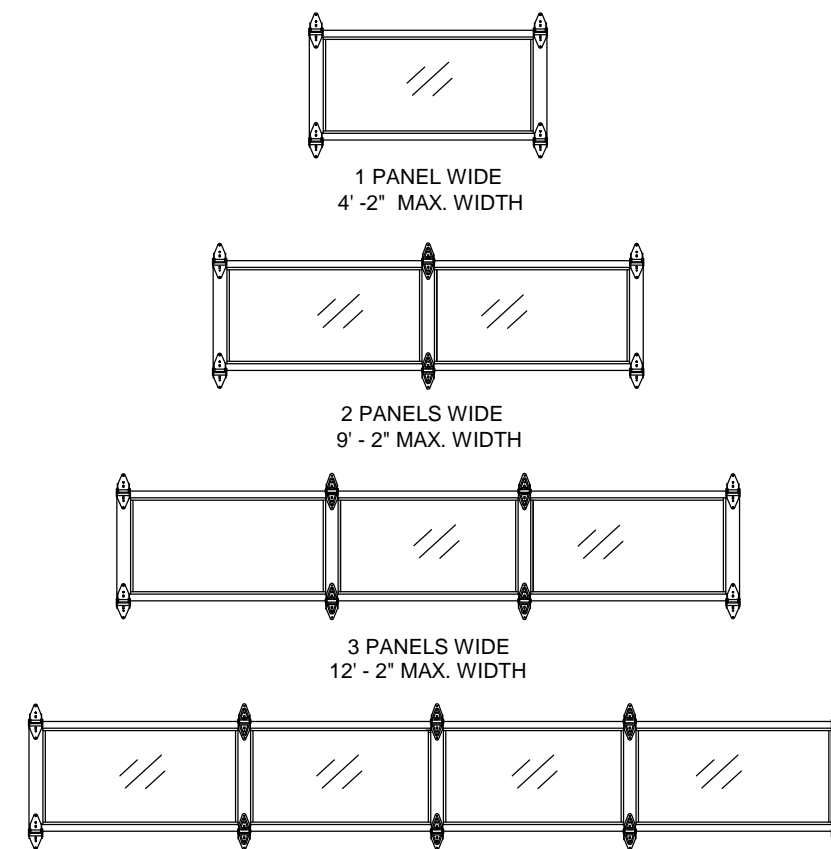


REAR MOUNT LOW HEADROOM TRACK
2" TRACK ANGLE MOUNT SHOWN
2" TRACK BRACKET MOUNT AVAILABLE
3" TRACK ANGLE MOUNT AVAILABLE



LIFT CLEARANCE TRACK
2" TRACK ANGLE MOUNT SHOWN
2" TRACK BRACKET MOUNT AVAILABLE
3" TRACK ANGLE MOUNT AVAILABLE

VERTICAL LIFT TRACK
2" TRACK ANGLE MOUNT SHOWN
2" TRACK BRACKET MOUNT AVAILABLE
3" TRACK ANGLE MOUNT AVAILABLE



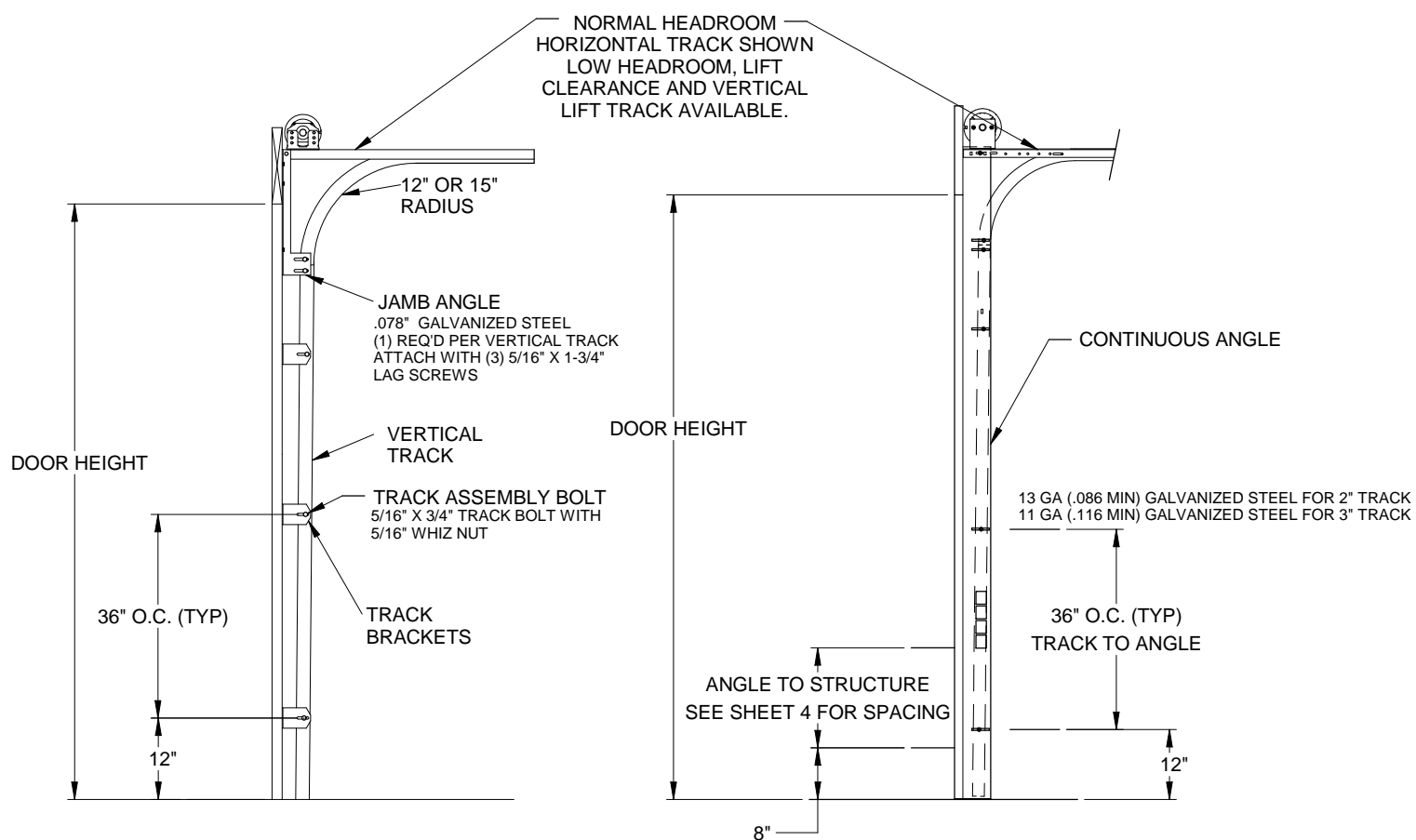
1 PANEL WIDE
4' - 2" MAX. WIDTH

2 PANELS WIDE
9' - 2" MAX. WIDTH

3 PANELS WIDE
12' - 2" MAX. WIDTH

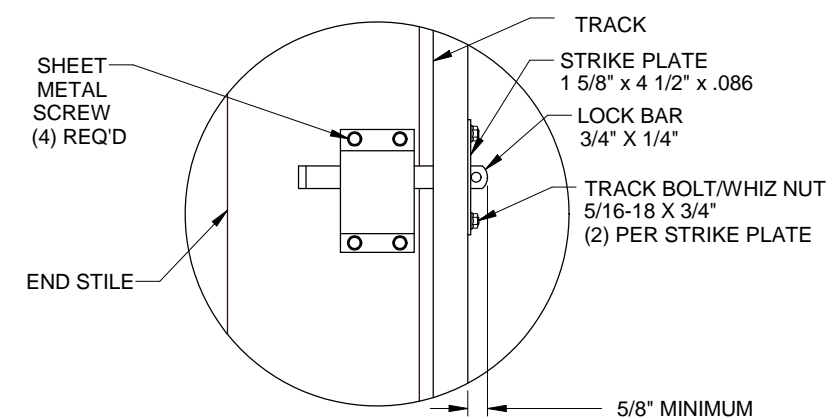
4 PANELS WIDE
14' - 2" MAX. WIDTH

CENTER STILE AND PANEL LAYOUT
INTERIOR VIEW
INTERMEDIATE SECTION SHOWN



TYPICAL TRACK INSTALLATION
BRACKET MOUNT
WOOD JAMBS

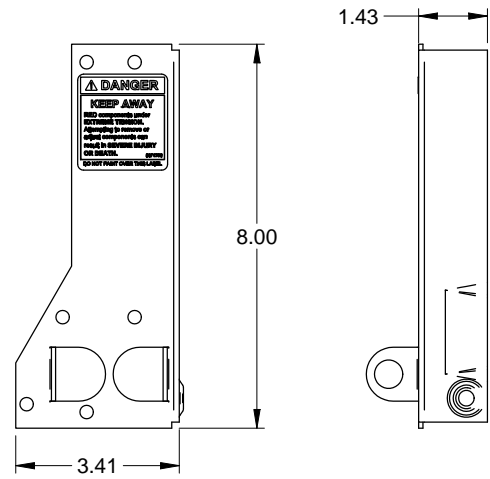
TYPICAL TRACK INSTALLATION
ANGLE MOUNT
WOOD, STEEL OR MASONRY
JAMBS



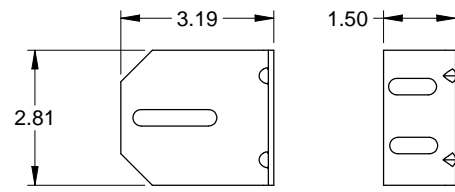
OPTIONAL INTERIOR
LOCK DETAIL

Scott A. Brown P.E.
F.P.E #65940
698 Timber Creek Road
Dixon Illinois 61021

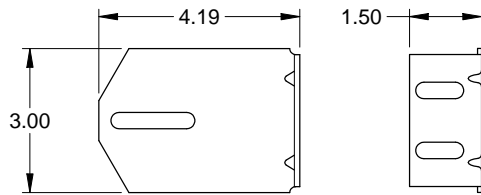
SCALE: NONE		TITLE: SPEC, WIND LOAD ALUMAVIEW AND STYLEVIEW	
DRAWN BY: G.WEDEKIND		NO. P-2412	SHEET 2 OF 4
CHECKED BY: GW			
DATE: 07/03/12		ECN NO.	DATE
ECN NO.: 6338.02	DESCRIPTION	DATE	REV



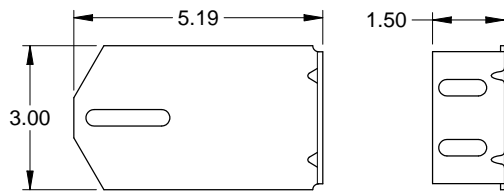
SCALE 1:2
CORNER BRACKET (.086 MIN)
GALV. STEEL



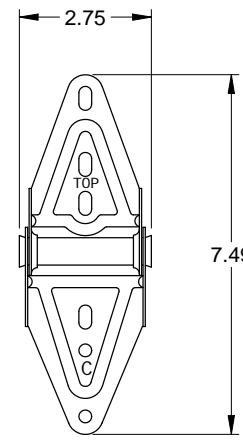
SCALE 1:2
3" TRACK BRACKET
.116 GALV. STEEL



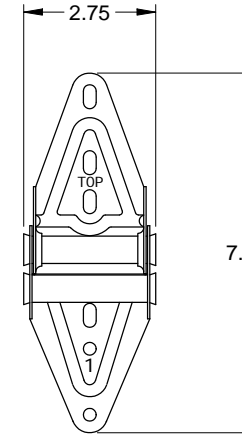
SCALE 1:2
4" TRACK BRACKET
.116 GALV. STEEL



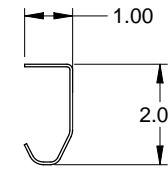
SCALE 1:2
5" TRACK BRACKET
.116 GALV. STEEL



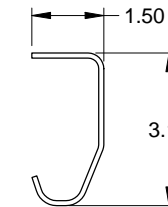
SCALE 1:2
CENTER HINGE
.045 GALV. STEEL



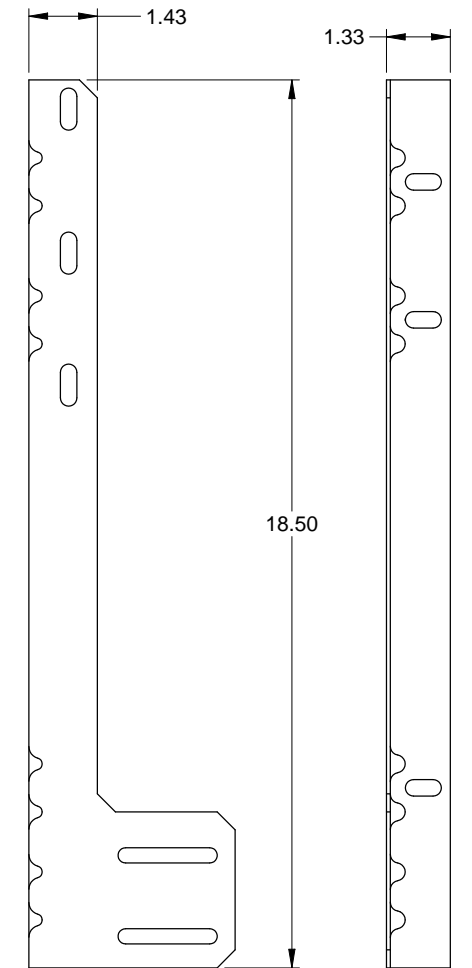
SCALE 1:2
EDGE HINGE
.086 GALV. STEEL



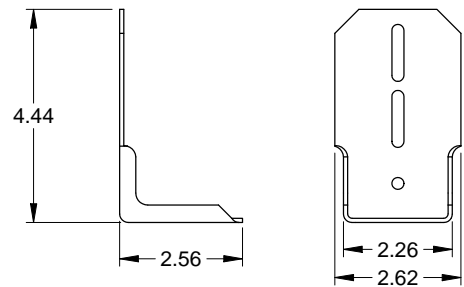
SCALE 1:2
2" TRACK
.055 MIN. GALV. STEEL



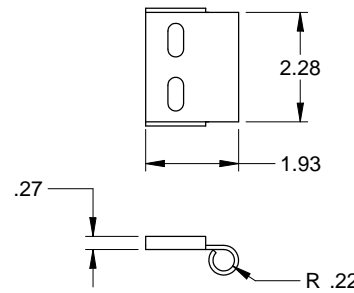
SCALE 1:2
3" TRACK (OPTIONAL)
.105 GALV. STEEL



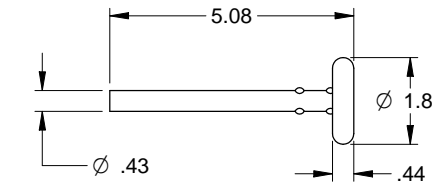
SCALE 1:2
JAMB ANGLE
.078 GALV. STEEL



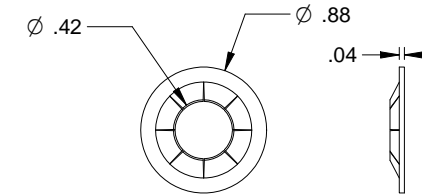
SCALE 1:2
LIGHT COMMERCIAL TOP FIXTURE
(FOR DOORS 5 SECTIONS HIGH OR LESS)
.086 GALV. STEEL



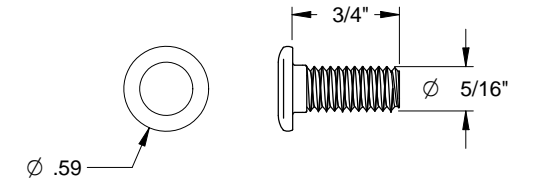
SCALE 1:2
ROLLER CARRIER
.086 GALV. STEEL
ATTACHED TO LIGHT COMMERCIAL TOP FIXTURE
WITH (2) TRACK BOLTS AND WHIZ NUTS



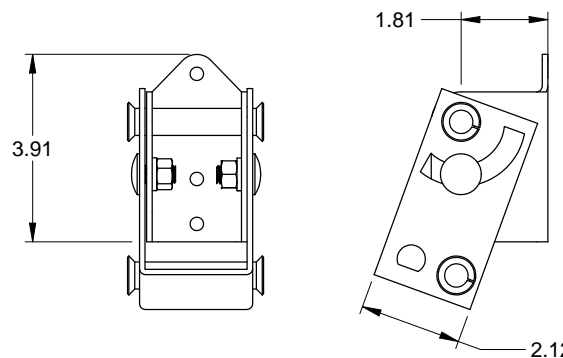
SCALE 1:2
TRACK ROLLER



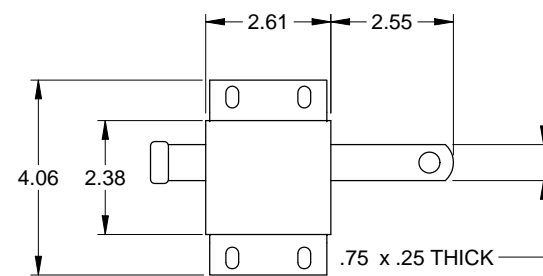
RETAINING NUT



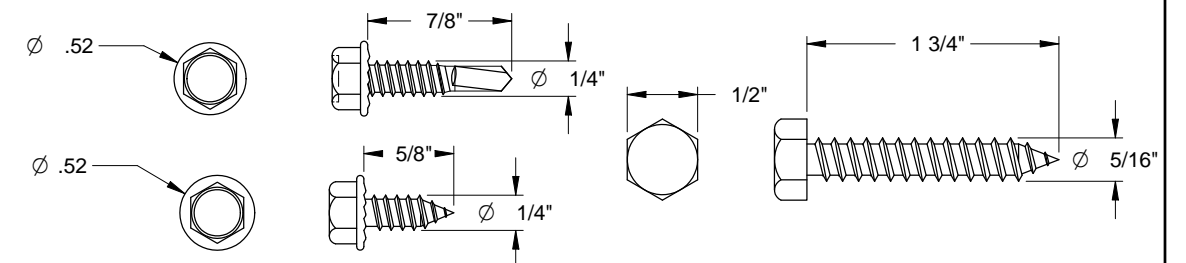
TRACK BOLT



SCALE 1:2
HEAVY COMMERCIAL TOP FIXTURE
.116 GALV. STEEL



SCALE 1:
SLIDE LOCK (OPTIONAL)
CASE .086 GALV. STEEL



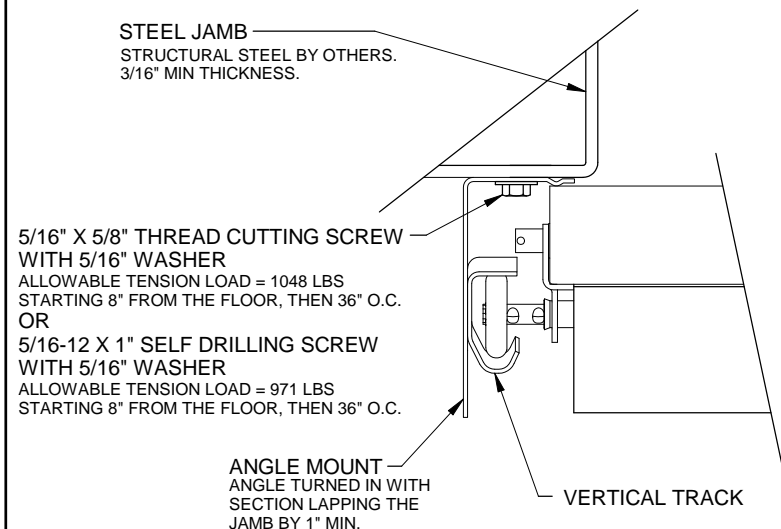
SHEET METAL SCREW
BOTH STYLES ARE INTERCHANGABLE

HEX HEAD LAG SCREW

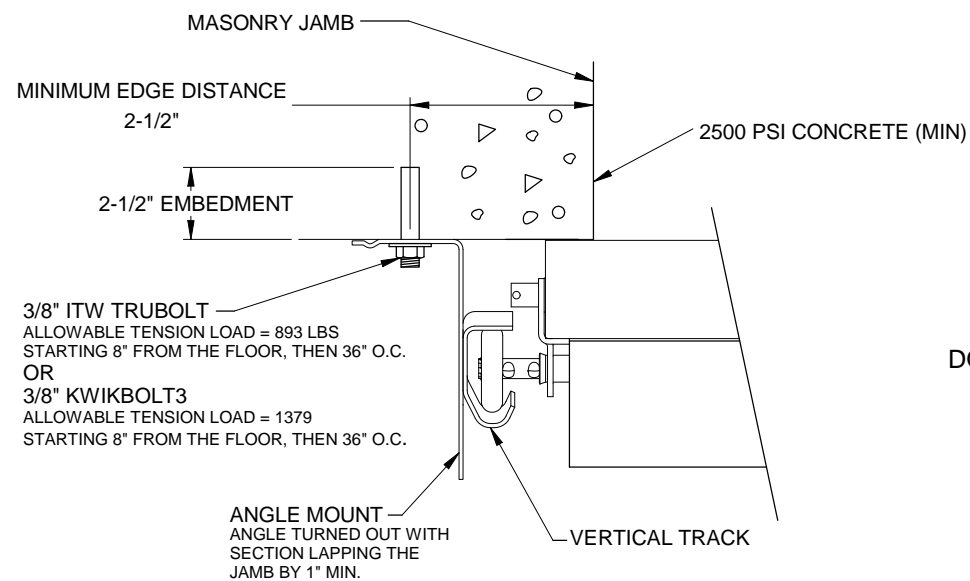
Scott A. Brown P.E.
F.P.E #65940
698 Timber Creek Road
Dixon Illinois 61021

SCALE: NONE		DRAWN BY: G.WEDEKIND		TITLE: SPEC, WIND LOAD ALUMAVIEW AND STYLEVIEW	
CHECKED BY: GW		DATE: 07/03/12		NO. P-2412	
ECN NO.		DATE		SHEET 3 OF 4	
REV.		DESCRIPTION		REV B	

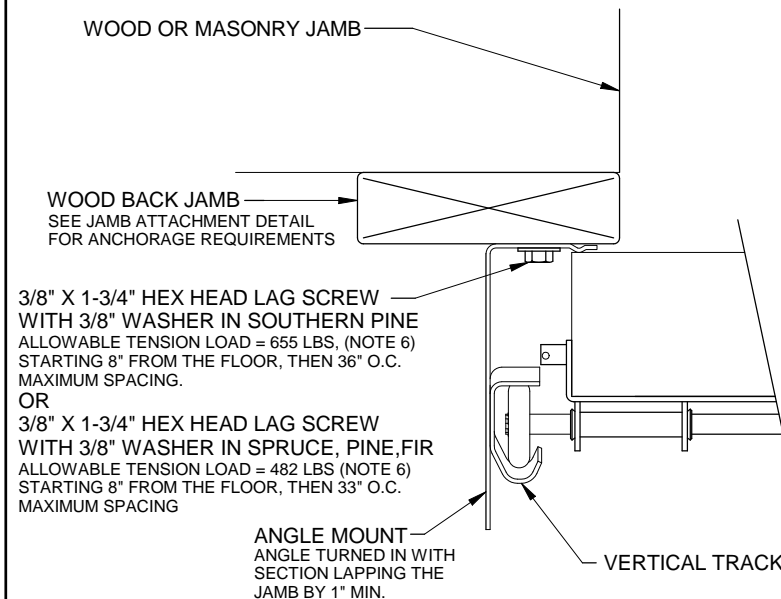
RAYNOR
GARAGE DOORS
BOX 488 EAST RIVER ROAD
DIXON, ILL. 61021



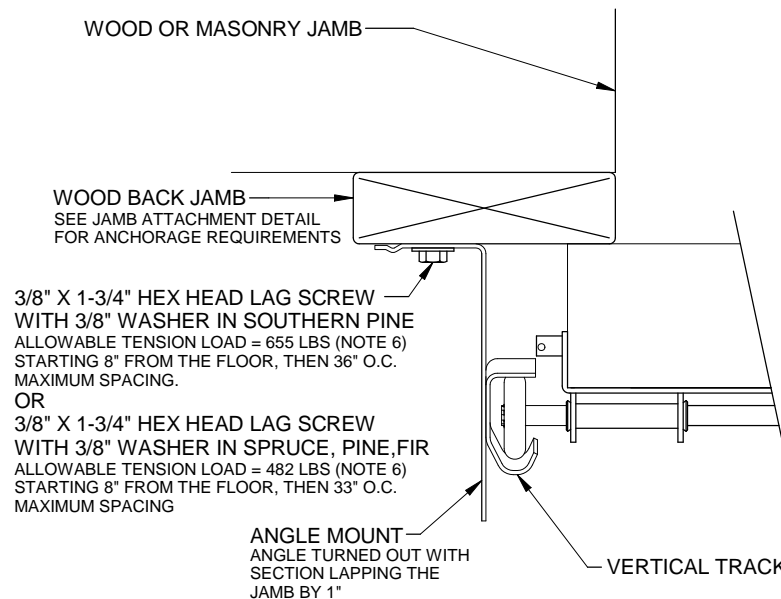
TRACK ASSEMBLY ATTACHMENT TO STEEL JAMB
2" TRACK ANGLE MOUNT TURNED IN SHOWN
3" TRACK ANGLE MOUNT AVAILABLE



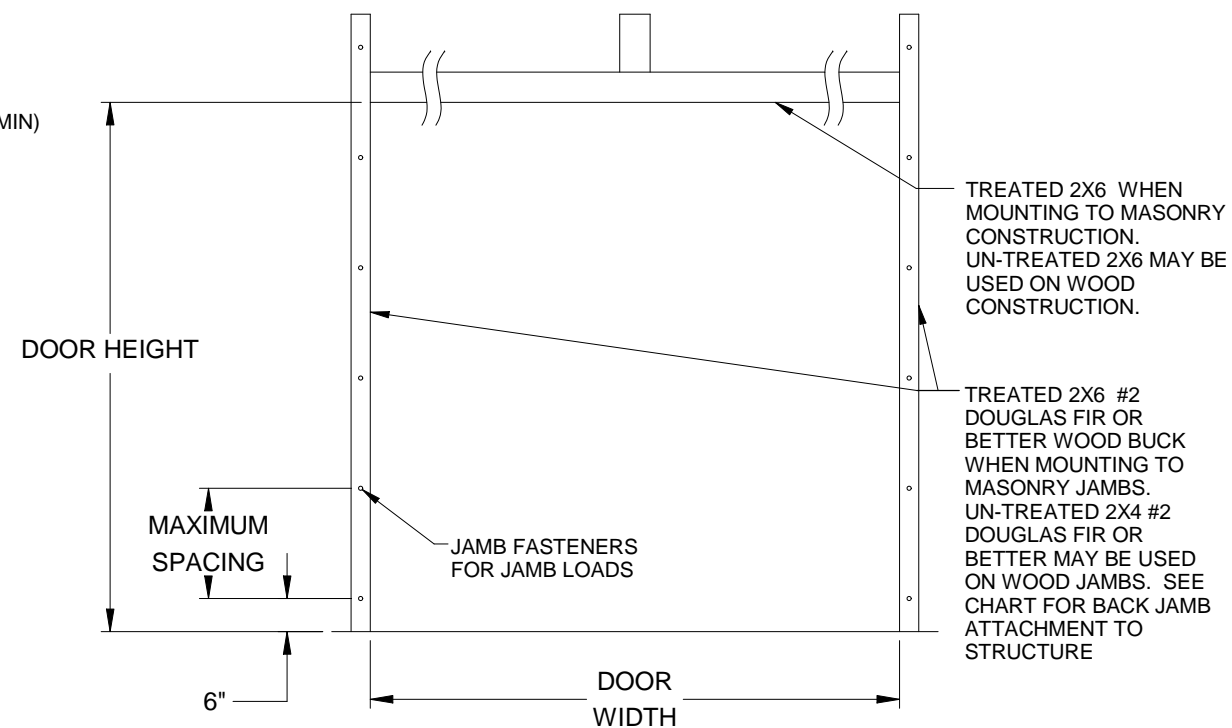
TRACK ASSEMBLY ATTACHMENT TO MASONRY JAMB
2" TRACK ANGLE MOUNT TURNED OUT SHOWN
3" TRACK ANGLE MOUNT AVAILABLE



TRACK ASSEMBLY ATTACHMENT TO WOOD BACK JAMB
2" TRACK ANGLE MOUNT TURNED IN SHOWN
3" TRACK ANGLE MOUNT AVAILABLE



TRACK ASSEMBLY ATTACHMENT TO WOOD BACK JAMB
2" TRACK ANGLE MOUNT TURNED OUT SHOWN
3" TRACK ANGLE MOUNT AVAILABLE



JAMB ATTACHMENT

2X6 ATTACHMENT TO STRUCTURE						
STRUCTURE TYPE	FASTENER TYPE	MINIMUM EMBEDMENT	MINIMUM EDGE DISTANCE	MINIMUM ON CENTER SPACING	DIMENSION A (MAXIMUM ON CENTER SPACING)	ALLOWABLE TENSION LOAD
2500 PSI MIN. CONCRETE	1/4" TAPCON+ (PLUS) WITH 1-1/8" OD WASHER	2"	2.5	6"	24"	691
SOUTHERN PINE	3/8" X 3" LAG WITH 1-1/8" OD WASHER	1.50"	1.50"	1.50"	24"	620
SPRUCE PINE FIR	3/8" X 3" LAG WITH 1-1/8" OD WASHER	1.50"	1.50"	1.50"	24"	482

JAMB ATTACHMENT NOTES

1. MAXIMUM POSITIVE LOAD PER JAMB = $(10'-2" \times 34.0 \text{ PSF}) / 2 = 173 \text{ LBS PER FOOT}$
2. MAXIMUM NEGATIVE LOAD PER JAMB = $(10'-2" \times -38.5 \text{ PSF}) / 2 = 196 \text{ LBS PER FOOT}$.
3. DESIGN OF THE SUPPORTING STRUCTURE SHALL BE THE SOLE RESPONSIBILITY OF THE BUILDING DESIGNER AND SHALL BE DESIGNED FOR THE JAMB LOADS LISTED IN NOTES 1 AND 2.
4. ALTERNATE JAMB ATTACHMENTS MAY BE USED IF APPROVED BY A REGISTERED PROFESSIONAL ENGINEER.
5. DASMA TECHNICAL DATA SHEET TDS-161 MAY BE USED FOR ALTERNATE JAMB ATTACHMENTS.
6. 3/8" SCREWS REQUIRE 1/16" DIAMETER PILOT HOLE AND 1-1/2" MINIMUM EDGE DISTANCE.