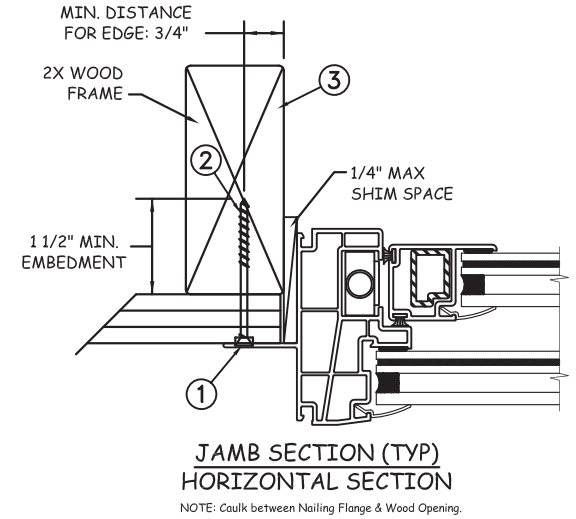
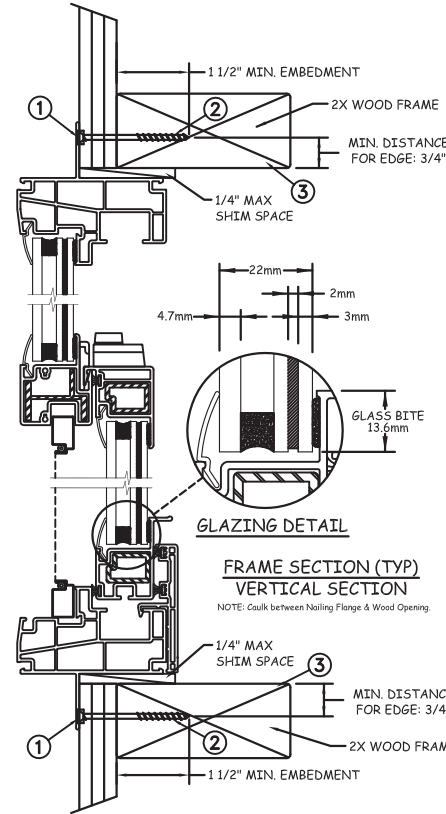
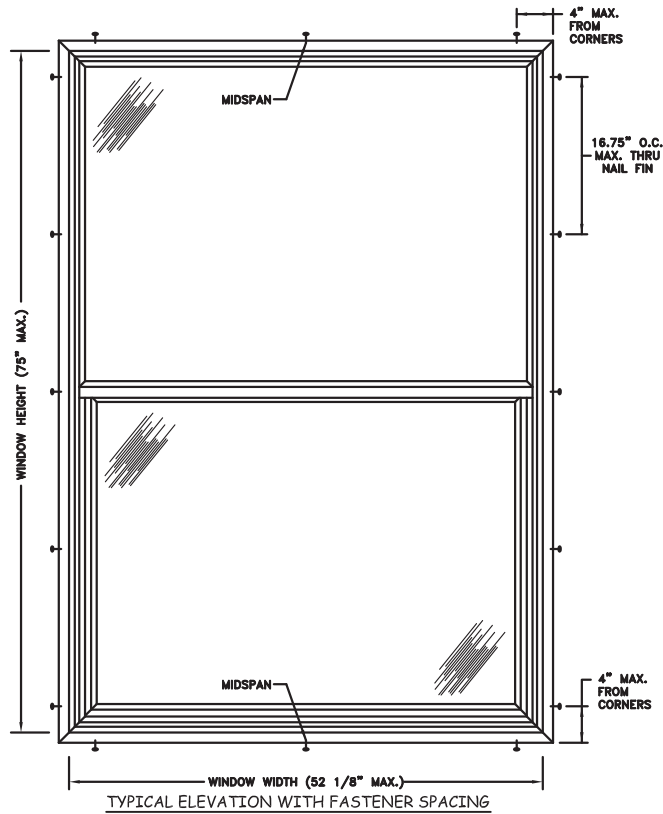


NAIL FIN INSTALLATION



PREMIUM ATLANTIC VINYL SH WINDOW

Max Frame	DP RATING	IMPACT
52 1/8 x 75	+65/-75	YES

LARGE MISSILE IMPACT

Installation Notes:

1. Seal flange/frame to substrate.
2. Use #10 PH or greater fastener through the nail fin with sufficient length to penetrate a minimum of 1 1/2" into the wood framing. For 2X wood frame substrate (min. S.G. = 0.42).
3. Host structure (wood buck, masonry, steel) to be designed and anchored to properly transfer all loads to the structure. The host structure is the responsibility of the architect or engineer of record for the project of installation.

Digitally signed by Hermes F. Norero, P.E.
Reason: I am approving this document
Date: 2014.09.19 16:24:52 -04'00'

This schedule addresses only the fasteners required to anchor the window to achieve the rated design pressure up to the size limitations noted. It is not intended as a guide to the installation process and does not address the sealing consideration that may arise in different wall conditions. For the complete installation procedure, see the instructions packaged with the window or go to www.jeld-wen.com/resources/installation.

DISCLAIMER:

This drawing and its contents are confidential and are not to be reproduced or copied in whole or in part or used or disclosed to others except as authorized by JELD-WEN Inc.

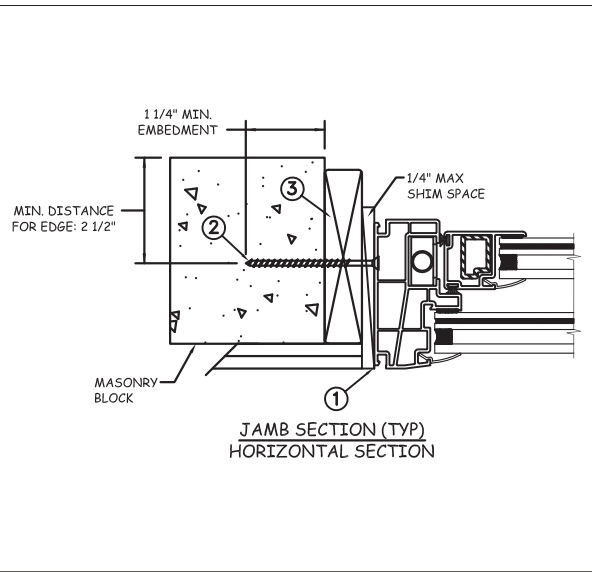
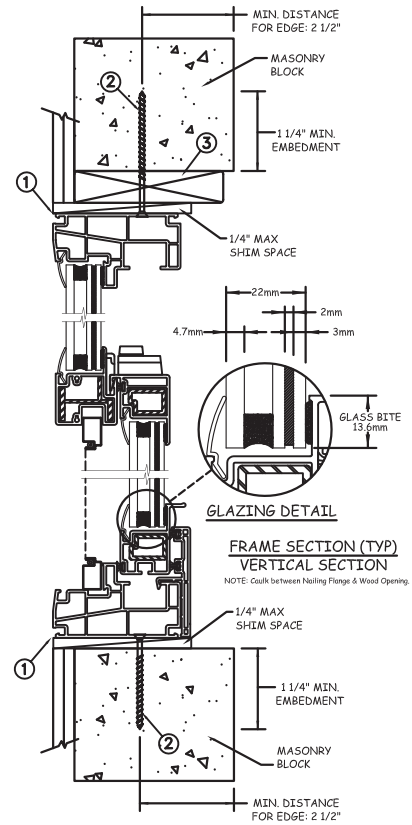
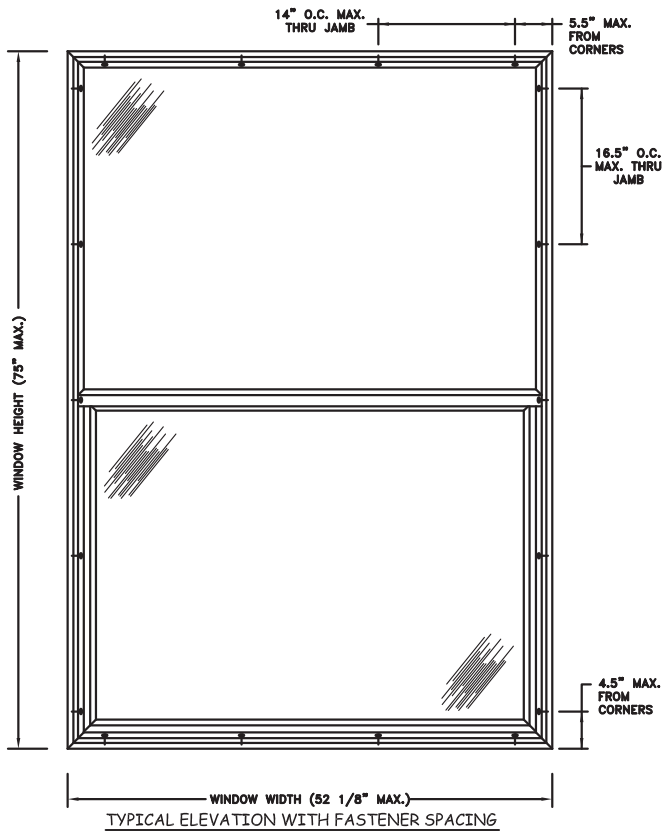
General Notes:

1. The product shown herein is designed, tested and manufactured to comply with the wind load criteria of the adopted International Building Code(IBC), the International Residential Code(IRC), the Florida Building Code(FBC) including HVHZ and the industry requirement for the stated conditions.
2. All glazing shall conform to ASTM E1300.
3. At minimum, glazing is 4.7mm annealed - 11mm airspace - 3mm annealed - 2mm SGP Interlayer by DuPont - 3mm annealed.
4. Use structural or composite shims where required.



PROJECT ENGINEER: --	DATE: 08/13/2014	JELD-WEN	3737 Lakeport Blvd Klamath Falls, OR. 97601 Phone: (541) 882-3451	
DRAWN BY: D. Vezo	SCALE: NTS			
CHECKED BY: J. Kantola	TITLE: Premium Atlantic Vinyl Impact Single Hung Window			
APPROVED BY: --	PART/PROJECT No.: D008729			
IDENTIFIER No. NCTL210-3873-1	PLANT NAME AND LOCATION: -FBC	CAD DWG. No.:	REV: 00	SHEET 1 OF 3

MASONRY INSTALLATION



PREMIUM ATLANTIC VINYL SH WINDOW

Max Frame	DP RATING	IMPACT
52 1/8 x 75	+65/-75	YES

LARGE MISSILE IMPACT

Installation Notes:

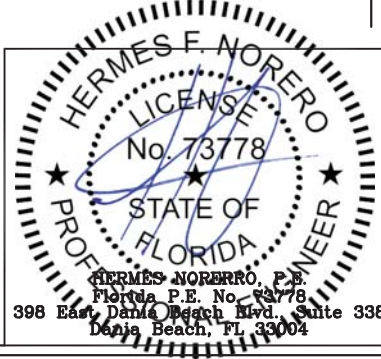
1. Seal flange/frame to substrate.
2. Use 3/16" ITW Tapcon or equivalent fasteners through frame with sufficient length to penetrate a minimum of 1 1/4" into concrete or masonry at each location with a 2 1/2" min from edge distance. For concrete (min. f'c = 3000psi) or masonry substrate (CMU shall adhere to ASTM C90).
3. Host structure (wood buck, masonry, steel) to be designed and anchored to properly transfer all loads to the structure. The host structure is the responsibility of the architect or engineer of record for the project of installation.

General Notes:

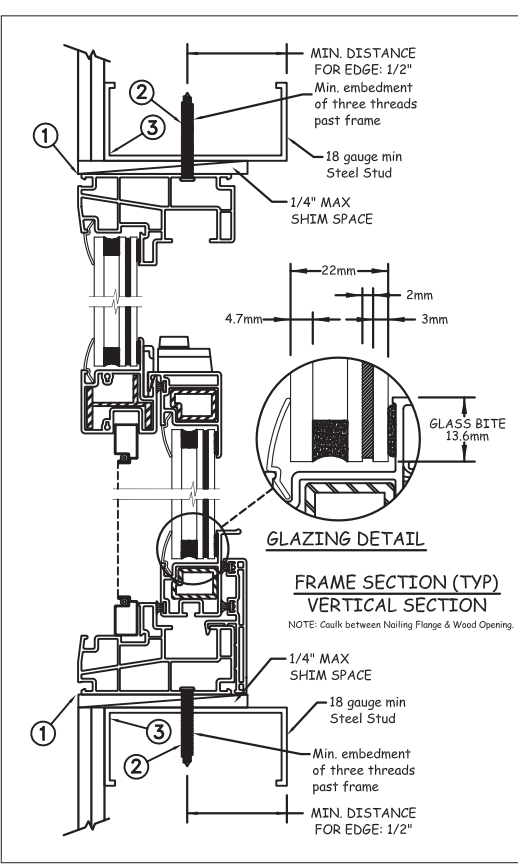
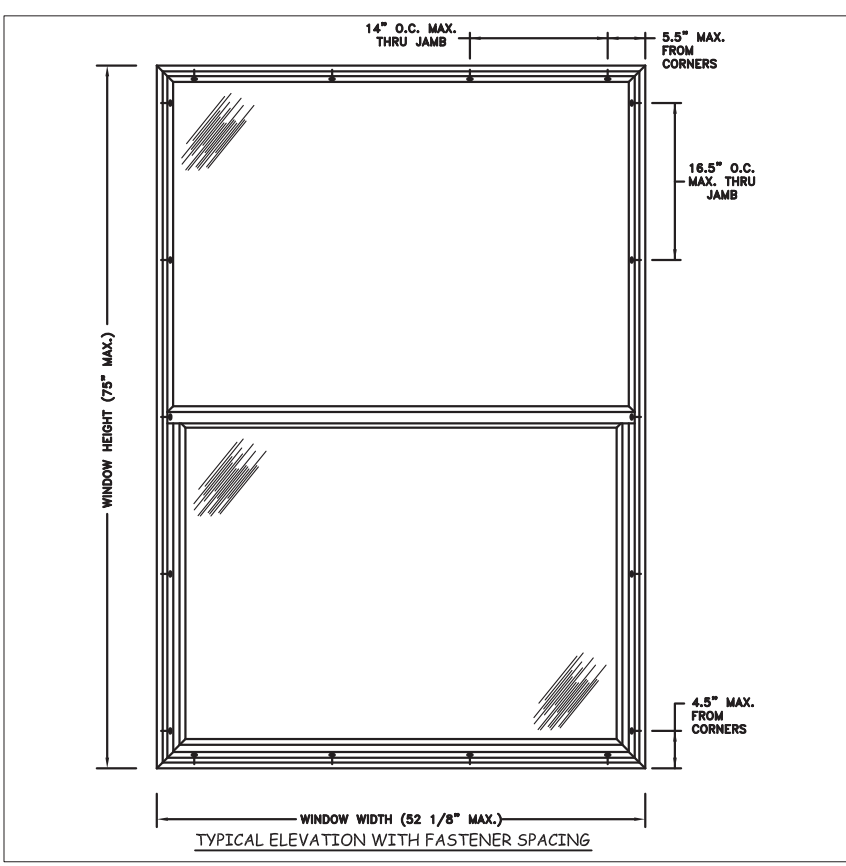
1. The product shown herein is designed, tested and manufactured to comply with the wind load criteria of the adopted International Building Code(IBC), the International Residential Code(IRC), the Florida Building Code(FBC) including HVHZ and the industry requirement for the stated conditions.
2. All glazing shall conform to ASTM E1300.
3. At minimum, glazing is 4.7mm annealed - 11mm airspace - 3mm annealed - 2mm SGP Interlayer by DuPont - 3mm annealed.
4. Use structural or composite shims where required.

This schedule addresses only the fasteners required to anchor the window to achieve the rated design pressure up to the size limitations noted. It is not intended as a guide to the installation process and does not address the sealing consideration that may arise in different wall conditions. For the complete installation procedure, see the instructions packaged with the window or go to www.jeld-wen.com/resources/installation.

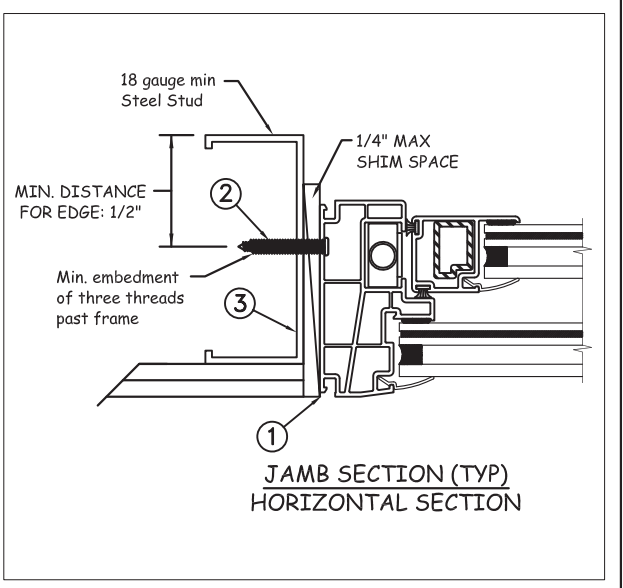
DISCLAIMER:
This drawing and its contents are confidential and are not to be reproduced or copied in whole or in part or used or disclosed to others except as authorized by JELD-WEN Inc.



PROJECT ENGINEER: --	DATE: 08/13/2014	JELD-WEN 3737 Lakeport Blvd Klamath Falls, OR. 97601 Phone: (541) 882-3451
DRAWN BY: D. Vezo	SCALE: NTS	
CHECKED BY: J. Kantola	TITLE: Premium Atlantic Vinyl Impact Single Hung Window	
APPROVED BY: --		
PART/PROJECT No.:		
D008729		
IDENTIFIER No. NCTL210-3873-1	PLANT NAME AND LOCATION: -FBC	CAD DWG. No.:
		REV: 00 SHEET 2 OF 3



STEEL INSTALLATION



PREMIUM ATLANTIC VINYL SH WINDOW

Max Frame	DP RATING	IMPACT
52 1/8 x 75	+65/-75	YES

LARGE MISSILE IMPACT

Installation Notes:

1. Seal flange/frame to substrate.
2. For anchoring into metal framing use #8 TEK Self Tapping screws with sufficient length to achieve a minimum embedment of three threads past the frame thickness. Steel substrate min. 18ga., fy = 33 ksi.
3. Host structure (wood buck, masonry, steel) to be designed and anchored to properly transfer all loads to the structure. The host structure is the responsibility of the architect or engineer of record for the project of installation.

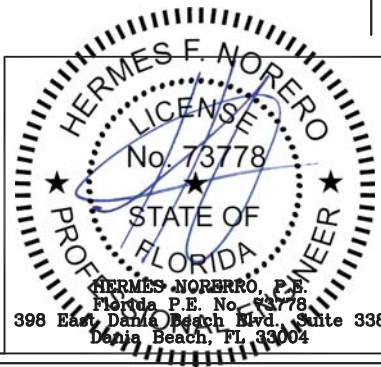
General Notes:

1. The product shown herein is designed, tested and manufactured to comply with the wind load criteria of the adopted International Building Code(IBC), the International Residential Code(IRC), the Florida Building Code(FBC) including HVHZ and the industry requirement for the stated conditions.
2. All glazing shall conform to ASTM E1300.
3. At minimum, glazing is 4.7mm annealed - 11mm airspace - 3mm annealed - 2mm SGP Interlayer by DuPont - 3mm annealed.
4. Use structural or composite shims where required.

This schedule addresses only the fasteners required to anchor the window to achieve the rated design pressure up to the size limitations noted. It is not intended as a guide to the installation process and does not address the sealing consideration that may arise in different wall conditions. For the complete installation procedure, see the instructions packaged with the window or go to www.jeld-wen.com/resources/installation.

DISCLAIMER:

This drawing and its contents are confidential and are not to be reproduced or copied in whole or in part or used or disclosed to others except as authorized by JELD-WEN Inc.



PROJECT ENGINEER: --	DATE: 08/13/2014	JELD-WEN 3737 Lakeport Blvd Klamath Falls, OR. 97601 Phone: (541) 882-3451
DRAWN BY: D. Vezo	SCALE: NTS	
CHECKED BY: J. Kantola	TITLE: Premium Atlantic Vinyl Impact Single Hung Window	
APPROVED BY: --		
PART/PROJECT No.:	D008729	
IDENTIFIER No. NCTL210-3873-1	PLANT NAME AND LOCATION: -FBC	CAD DWG. No.:
		REV: 00 SHEET 3 OF 3