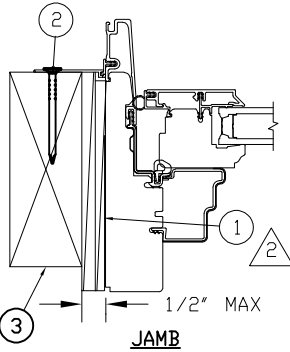
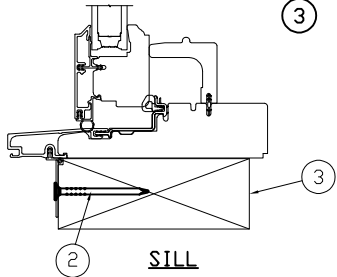


HEAD JAMB

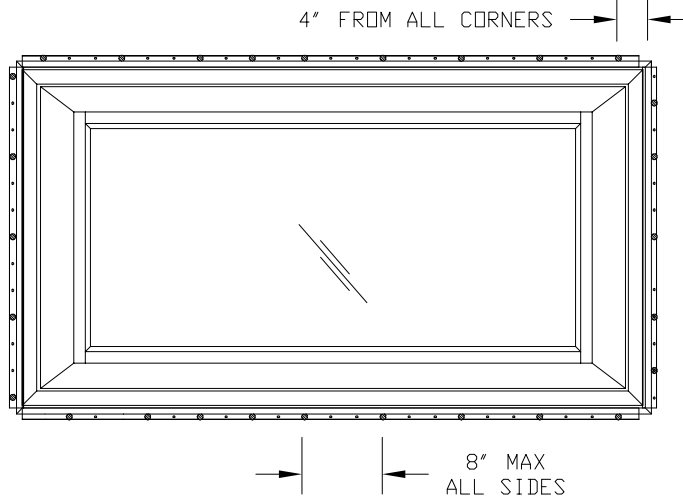


JAMB

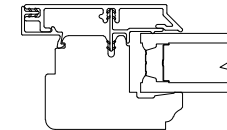


SILL

NAILING FIN INSTALLATION METHOD



UNIT	MAX FRAME SIZE	DP RATING
UL CSMNT VP	40X71 1/8	+40/-40
UL CSMNT VP	40X96 1/8	+40/-40
UL CSMNT VP	48X71 1/8	+40/-40
UL CSMNT VP	72X47 1/8	+40/-40
UL CSMNT VP	72X71 1/8	+40/-40



GLASS COMPLIES WITH ASTM E1300
GLAZING

NAILING FIN INSTALLATION METHOD:

- UNIT MUST NOT BE IN DIRECT CONTACT WITH EITHER CONCRETE OR TREATED BUCK MATERIAL. IF SHIM SPACE IS LESS THAN 1/8" WRAPPING THE UNIT ON ALL 4 SIDES WITH WINDOW FLASHING TAPE IS REQUIRED AS A BARRIER BETWEEN THE UNIT AND CONCRETE OR TREATED LUMBER.
- #8 X 1 1/4" PAN HEAD OR WAFER HEAD SCREWS MAY BE SUBSTITUTED FOR 2" ROOFING NAILS.

NOTES FOR ALL METHODS:


1. THIS PRINT IS FOR STRUCTURAL PERFORMANCE ONLY. FOR FLASHING & SEALING INSTRUCTIONS, REFER TO THE INSTALLATION INSTRUCTIONS.

2. SHIMS
-PLACE A SHIM WITHIN 4-6 INCHES OF EACH CORNER AND SPACE ALL OTHERS EVELY A MAXIMUM OF 15" APART.

3. IF CHEMICALLY TREATED LUMBER IS USED FOR BUCK MATERIAL, FASTENERS INTO THE BUCK MUST BE A MINIMUM OF 0.90 OZ/FT² ZINC HOT DIPPED GALVANIZED OR STAINLESS STEEL TYPE 304 OR 316.

3	-----	WOOD BUCK BY OTHERS
2	-----	2 INCH ROOFING NAIL
1	-----	SHIM
ITEM NO	REF NO	DESCRIPTION

UNSPECIFIED TOLERANCES	
DECIMALS: XX ± .030 XXX ± .012	ANGLE DEG: ± .5
LINEAL: + .125 - .000	FAB LINEAL: ± NA
MATERIAL: NA	

MARVIN 		RESEARCH & DEVELOPMENT	
PRODUCT		ULTIMATE CASEMENT	
CATEGORY:			
UNIT TYPE:		UCAVP	
DWG TYPE:		INSTALLATION	
DESCRIPTION:		INSTALLATION	
CHK:	SIZE:	CLASS:	DWG NO: 00071460
APP:	SCALE:	DATE:	DWG BY:
	NA	09/22/10	BORNEMAN, SKIP
			SHEET: 1 OF 1

NOTICE - CONFIDENTIAL INFORMATION

The information in this document is privileged and strictly confidential. The information contained herein shall be used only by Marvin Windows and Doors employees and by those agents or suppliers granted official written permission. If the reader of this document is not the intended recipient, or the employee or agent of the intended recipient, please delete this document from all data storage devices, and destroy all hard copies. Any unauthorized dissemination, distribution, copying or other use of the information contained in this document is strictly prohibited.