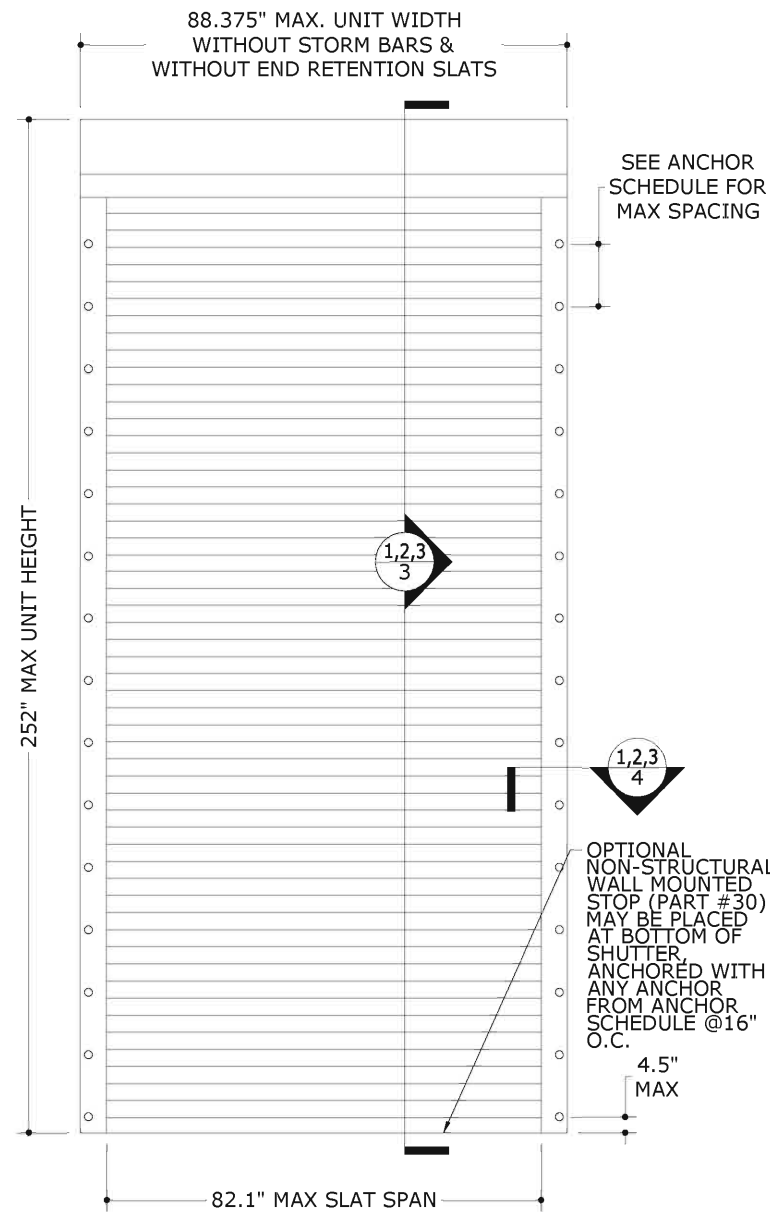


MAESTROSHIELD ALUMINUM ROLL-UP SHUTTER

WITH NON-END RETENTION SLATS AND RAILS



1 NON-END RETENTION SHUTTER W/O STORM BARS
1 N.T.S. EXTERIOR ELEV

SLAT SPAN	ALLOWABLE DESIGN PRESSURE	
	POSITIVE	NEGATIVE
47.1"	+ 120.0 PSF	- 120.0 PSF
50.0"	+ 100.5 PSF	- 104.2 PSF
55.0"	+ 74.0 PSF	- 83.1 PSF
60.0"	+ 55.8 PSF	- 67.3 PSF
65.0"	+ 39.7 PSF	- 55.2 PSF
70.0"	+ 28.9 PSF	- 45.7 PSF
75.0"	+ 21.4 PSF	- 38.2 PSF
80.0"	+ 16.2 PSF	- 32.2 PSF
82.1"	+ 14.5 PSF	- 30.0 PSF

SLAT SPAN	INSTALLATIONS	INSTALLATIONS
	≤ 30' ABOVE GRADE	> 30' ABOVE GRADE
47.1"	3.1"	2.5"
50.0"	3.1"	2.7"
55.0"	3.1"	2.8"
60.0"	3.1"	3.0"
65.0"	3.1"	3.0"
70.0"	3.1"	3.0"
75.0"	3.1"	3.0"
80.0"	3.1"	3.0"
82.1"	3.1"	3.0"

TABLE 1 & 2 NOTES:

- SLAT SPAN IS DEFINED AS THE DISTANCE BETWEEN RAILS FOR SINGLE SPAN ASSEMBLIES.
- LINEAR INTERPOLATION BETWEEN SHUTTER SPANS IS NOT PERMITTED. FOR SPANS BETWEEN THOSE INDICATED ABOVE, THE DESIGN PRESSURES FOR THE NEXT HIGHER SPAN SHALL BE USED.
- SEPARATION FROM GLAZING IS ONLY REQUIRED WITHIN THE HVHZ.

GENERAL NOTES

1. THE SYSTEM DESCRIBED HEREIN HAS BEEN DESIGNED AND TESTED IN ACCORDANCE WITH THE FLORIDA BUILDING CODE SEVENTH EDITION (2020), THE INTERNATIONAL BUILDING CODE (IBC) AND THE INTERNATIONAL RESIDENTIAL CODE (IRC), FOR USE WITHIN AND OUTSIDE THE HIGH VELOCITY HURRICANE ZONE. SEE EVALUATION REPORT FOR ADDITIONAL INFORMATION.
2. NO 33-1/3% INCREASE IN ALLOWABLE STRESS HAS BEEN USED IN THE DESIGN OF THIS SYSTEM. WIND LOAD DURATION FACTOR Cd=1.6 HAS BEEN USED FOR WOOD ANCHOR DESIGN.
3. POSITIVE AND NEGATIVE DESIGN PRESSURES CALCULATED FOR USE WITH THIS SYSTEM SHALL BE DETERMINED PER SEPARATE ENGINEERING IN ACCORDANCE WITH THE GOVERNING CODE. PRESSURE REQUIREMENTS AS DETERMINED IN ACCORDANCE WITH ASCE 7 AND CHAPTER 1609 OF THE FLORIDA BUILDING CODE SHALL BE LESS THAN OR EQUAL TO THE POSITIVE OR NEGATIVE DESIGN PRESSURE CAPACITY VALUES LISTED HEREIN FOR ANY ASSEMBLY AS SHOWN.
4. DESIGN PRESSURES NOTED HEREIN ARE BASED ON MAXIMUM TESTED PRESSURES DIVIDED BY A 1.5 SAFETY FACTOR.
5. THE SYSTEM DETAILED HEREIN IS GENERIC AND DOES NOT PROVIDE INFORMATION FOR A SPECIFIC SITE. FOR SITE CONDITIONS DIFFERENT FROM THE CONDITIONS DETAILED HEREIN, A LICENSED ENGINEER OR REGISTERED ARCHITECT SHALL PREPARE SITE SPECIFIC DOCUMENTS FOR USE IN CONJUNCTION WITH THIS DOCUMENT. THIS CERTIFICATION IS VALID FOR USE IN CONJUNCTION WITH THE MOST CURRENT REVISION OF FLORIDA PRODUCT APPROVAL #FL14235.1, ALUMINUM STORM BARS, HEADERS, & MULLIONS
6. ROLL-UP MECHANISM AND HOOD ASSEMBLY ARE NOT PART OF THIS APPROVAL.
7. THIS DOCUMENT CONTAINS INFORMATION RELEVANT TO THE NECESSARY STRUCTURAL REQUIREMENTS OF THE SYSTEM INSTALLATION. COMPONENTS AND FASTENERS NOT REFERENCED WHICH ARE PART OF THE INTERNAL FABRICATION OF THE SPECIFIED SYSTEMS OR ASSEMBLIES SHALL BE PER MANUFACTURER PUBLISHED SPECIFICATIONS.

8. PERMIT HOLDER SHALL VERIFY THE ADEQUACY OF THE EXISTING STRUCTURE TO WITHSTAND SUPERIMPOSED LOADS. WOOD BUCKS (BY OTHERS) SHALL BE ANCHORED PROPERLY TO TRANSFER LOADS TO THE EXISTING STRUCTURE.
9. ALL EXTRUSIONS SHALL BE MINIMUM 6063-T5 ALUMINUM ALLOY, UNLESS NOTED OTHERWISE.
10. EACH SHUTTER ASSEMBLY SHALL BEAR A PERMANENT LABEL ON THE BOTTOM OF THE HOOD FACING THE EXTERIOR WITH THE FOLLOWING MINIMUM INFORMATION:
 TOWN & COUNTRY INDUSTRIES
 FORT LAUDERDALE, FL
 9LB MISSILE LEVEL D - TAS 201, 202 AND 203
 FLORIDA PRODUCT APPROVAL NUMBER
11. ALL BOLTS & WASHERS SHALL BE ZINC COATED STEEL, GALVANIZED STEEL, OR STAINLESS STEEL WITH A MINIMUM TENSILE YIELD STRENGTH OF 60 KSI. ALL ALUMINUM 3/16"Ø OR 1/4"Ø POP RIVETS SHALL HAVE A MINIMUM SHEAR ULTIMATE STRENGTH OF 42ksi.
12. ALL STEEL IN CONTACT WITH ALUMINUM SHALL BE PAINTED OR PLATED AS PRESCRIBED IN THE FLORIDA BUILDING CODE.

VISIT ECALC.IO/26180a

FOR SITE SPECIFIC DEVIATIONS & MORE INFORMATION ABOUT THIS DOCUMENT OR SCAN THIS QR CODE
 VISIT ENGINEERINGEXPRESS.COM/STORE FOR ADDITIONAL PLANS, REPORTS & RESOURCES



FRANK BENNARDO, PE
 PE# 0046549 CA#9885



ENGINEERING EXPRESS
 CORPORATE OFFICE:
 160 SW 12th AVE, SUITE 106
 DEERFIELD BEACH, FL 33442
 (954) 354-0660 | (866) 396-9999
 TEAM@ENGINEERINGEXPRESS.COM
 ENGINEERINGEXPRESS.COM

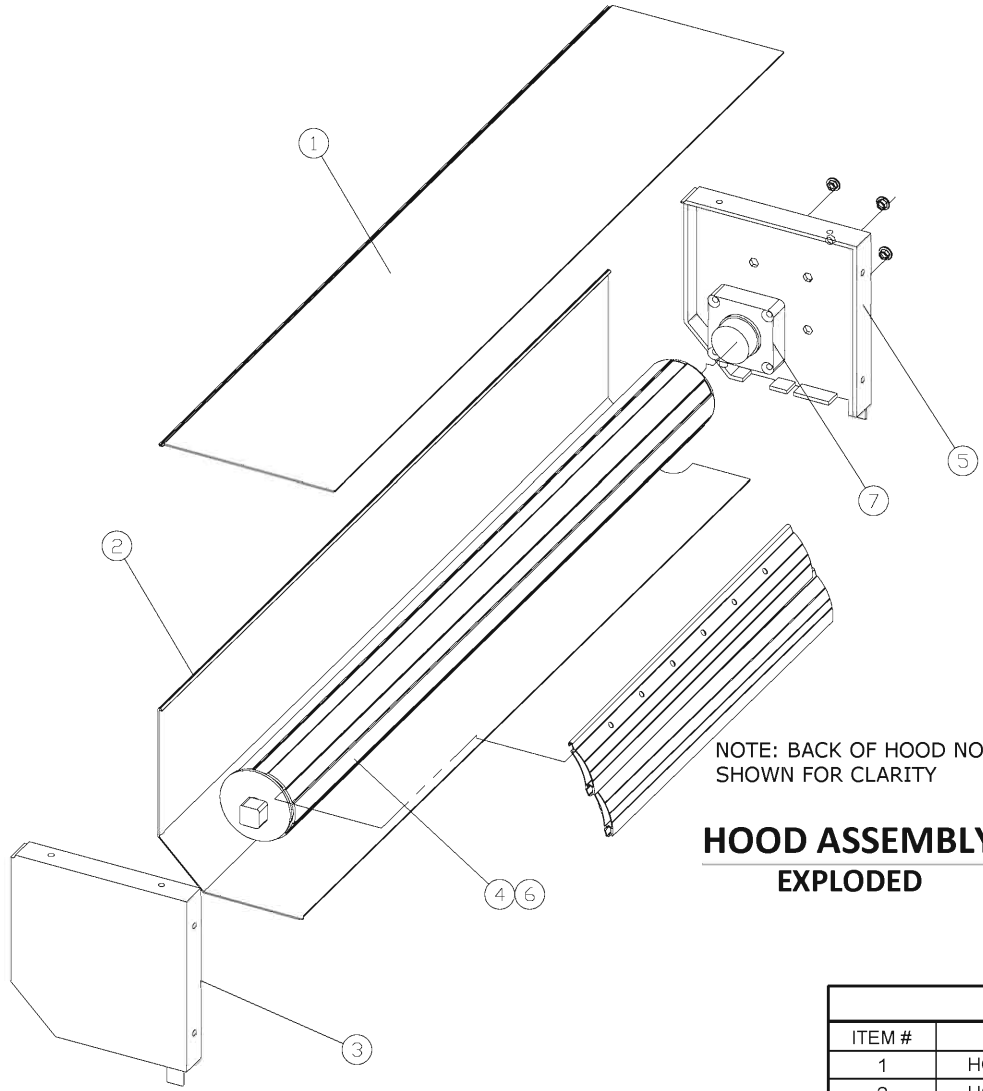
Town & Country INDUSTRIES
 Wholesale Aluminum and Building Products
 A Division of ABC Supply Co., Inc.
 400 WEST MCNAB ROAD
 FT. LAUDERDALE, FL 33309
 FL14235.1

DRWN	CHKD	DATE
KL	FLB	2/14/12
RWN	CSL	4/08/15
RWN	FLB	8/07/17
CB	RWN	6/25/20

COPYRIGHT FRANK L. BENNARDO P.E.

20-26180a

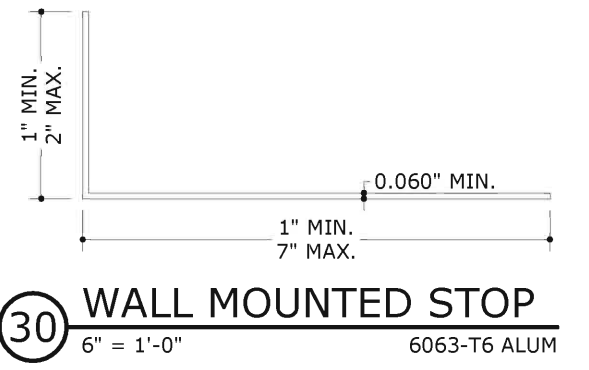
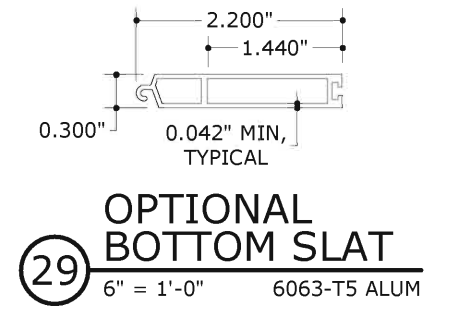
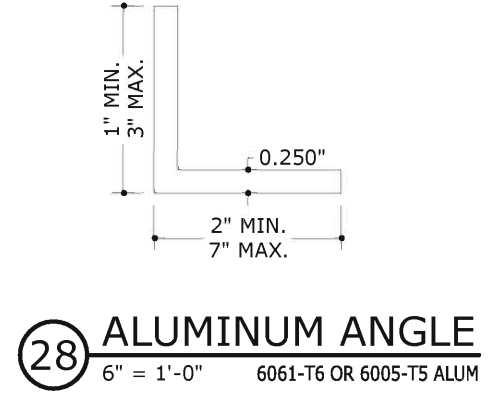
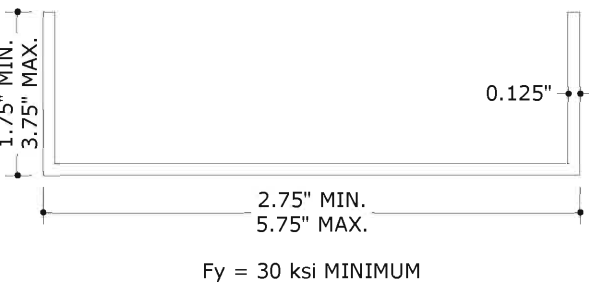
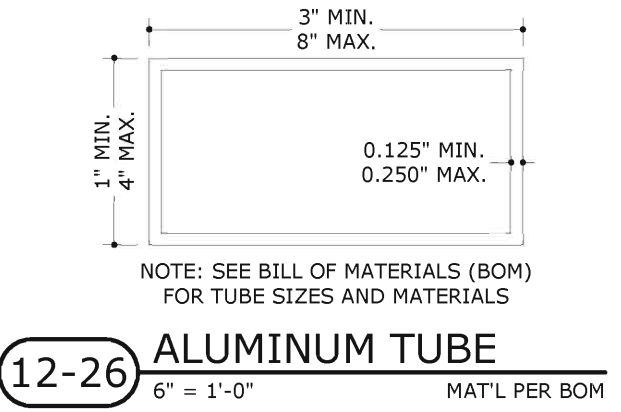
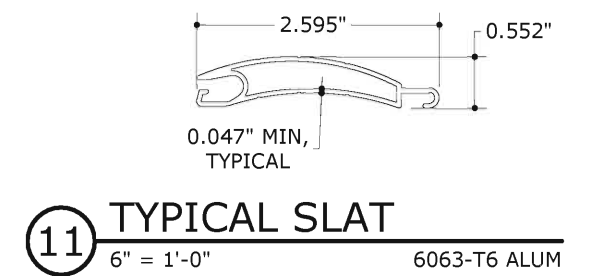
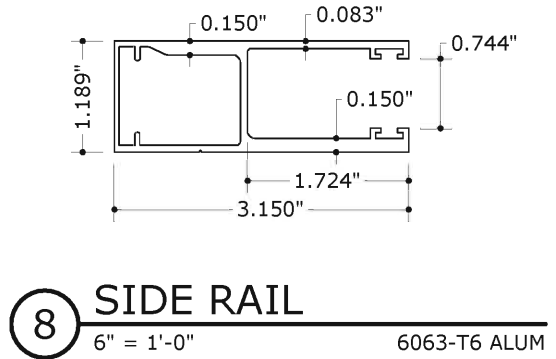
SCALE: -
 PAGE DESCRIPTION:



**HOOD ASSEMBLY
EXPLODED**

NOTE: BACK OF HOOD NOT SHOWN FOR CLARITY

BILL OF MATERIALS		
ITEM #	DESCRIPTION	MATERIAL
1	HOOD TOP	3105-H14 ALUM
2	HOOD FACE	3105-H14 ALUM
3	SIDE CAP, RIGHT	CAST ALUM
4	MOTOR TUBE, 60-88mm DIAMETER, 3mm THICK	6063-T5 ALUM
4	MOTOR TUBE, 60-100mm DIAMETER, 3mm THICK	GALV. STEEL
5	SIDE CAP, LEFT	CAST ALUM
6	IDLE BEARING	NYLON/STEEL
7	MANUAL GEAR OR ELECTRONIC MOTOR	
8	SIDE RAIL, NON-END RETENTION	6063-T6 MIN. ALUM
11	TYPICAL SLAT	6063-T6 ALUM
12	1"x3"x0.125" TUBE	6063-T6 ALUM
13	2"x3"x0.125" TUBE	6063-T6 ALUM
14	2"x4"x0.125" TUBE	6063-T6 ALUM
15	2"x5"x0.125" TUBE	6063-T6 ALUM
16	2"x3"x0.25" TUBE	6061-T6 OR 6005-T5 ALUM
17	2"x4"x0.25" TUBE	6061-T6 OR 6005-T5 ALUM
18	2"x5"x0.25" TUBE	6061-T6 OR 6005-T5 ALUM
19	2"x6"x0.125" TUBE	6063-T6 ALUM
20	2"x6"x0.25" TUBE	6061-T6 OR 6005-T5 ALUM
21	3"x3"x0.125" TUBE	6063-T6 ALUM
22	3"x3"x0.25" TUBE	6061-T6 OR 6005-T5 ALUM
23	4"x4"x0.125" TUBE	6063-T6 ALUM
24	4"x4"x0.25" TUBE	6061-T6 OR 6005-T5 ALUM
25	4"x6"x0.25" TUBE	6061-T6 OR 6005-T5 ALUM
26	4"x8"x0.25" TUBE	6061-T6 OR 6005-T5 ALUM
27	STEEL REINFORCEMENT (Fy = 30 ksi MIN.)	A36 OR STAINLESS STEEL
28	ALUMINUM ANGLE	6061-T6 OR 6005-T5 ALUM
29	OPTIONAL BOTTOM SLAT	6063-T5 ALUM
30	WALL MOUNTED STOP	6063-T6 ALUM



FRANK BENNARDO, PE
PE# 0046549 CA#9885

ENGINEERING EXPRESS
CORPORATE OFFICE:
160 SW 12th AVE, SUITE 106
DEERFIELD BEACH, FL 33442
(954) 354-0660 | (866) 396-9999
TEAM@ENGINEERINGEXPRESS.COM
ENGINEERINGEXPRESS.COM

Town & Country INDUSTRIES
Wholesale Aluminum and Building Products
A Division of ABC Supply Co., Inc.
400 WEST MCNAB ROAD
FT. LAUDERDALE, FL 33309
FL14235.1

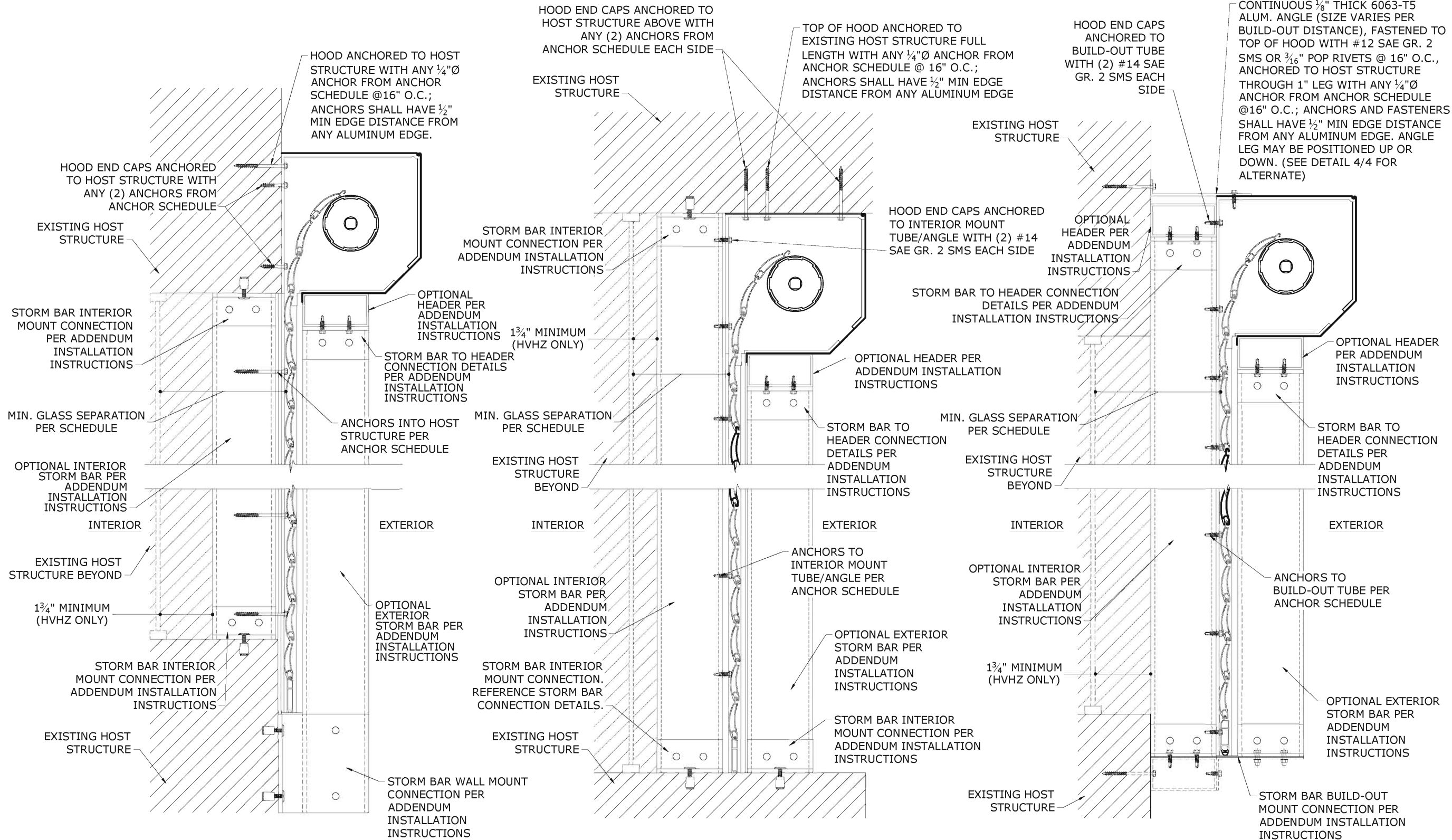
DRWN	CHKD	DATE
KL	FLB	2/14/12
RWN	CSL	4/08/15
RWN	FLB	8/07/17
CB	RWN	6/25/20

REMARKS
INIT ISSUE
2014 FBC
2017 FBC
2020 FBC

THIS DOCUMENT IS THE PROPERTY OF FRANK L. BENNARDO, P.E. AND SHALL NOT BE REPRODUCED IN WHOLE OR PART WITHOUT WRITTEN CONSENT OF FRANK L. BENNARDO, P.E. - ALTERATIONS, ADDITIONS, HIGHLIGHTING OR OTHER MARKINGS TO THIS DOCUMENT ARE NOT PERMITTED AND INVALIDATE OUR CERTIFICATION.

COPYRIGHT FRANK L. BENNARDO P.E.
20-26180a
SCALE: -
PAGE DESCRIPTION:

07/22/2020 - 11:15am rickn C:\Users\rickn\Engineering Express\Production - Documents\Projects\20-26180 - FL14235.1 - Maestrosfield Aluminum Roll-Up Shutter (Non ERY)\WP\2020 FBC\20-26180b - FL14235.1 - DWG1a.dwg



1 WALL MOUNT (SHOWN W/ OPTIONAL STORM BARS)
3 N.T.S. VERT SECTION

NOTE: FOR OPTIONAL MOUNTING CONDITIONS, REFERENCE ADDENDUM STORM BAR AND MULLION INSTALLATION INSTRUCTIONS.

2 INTERIOR MOUNT (SHOWN W/ OPTIONAL STORM BARS)
3 N.T.S. VERT SECTION

NOTE: FOR OPTIONAL MOUNTING CONDITIONS, REFERENCE ADDENDUM STORM BAR AND MULLION INSTALLATION INSTRUCTIONS.

3 BUILD-OUT MOUNT (SHOWN W/ OPTIONAL STORM BARS)
3 N.T.S. VERT SECTION

NOTE: FOR OPTIONAL MOUNTING CONDITIONS, REFERENCE ADDENDUM STORM BAR AND MULLION INSTALLATION INSTRUCTIONS.

FRANK BENNARDO, PE
 PE# 0046549 CA#9885

ENGINEERING EXPRESS
 CORPORATE OFFICE:
 160 SW 12th AVE, SUITE 106
 DEERFIELD BEACH, FL 33442
 (954) 354-0660 | (866) 396-9999
 TEAM@ENGINEERINGEXPRESS.COM
 ENGINEERINGEXPRESS.COM

Town & Country INDUSTRIES
 Wholesale Aluminum and Building Products
 A Division of ABC Supply Co., Inc.
 400 WEST MCNAB ROAD
 FT. LAUDERDALE, FL 33309
 FL14235.1

DRWN	CHKD	DATE
KL	FLB	2/14/12
RWN	CSL	4/08/15
RWN	FLB	8/07/17
CB	RWN	6/25/20

REMARKS
 2014 FBC
 2017 FBC
 2020 FBC

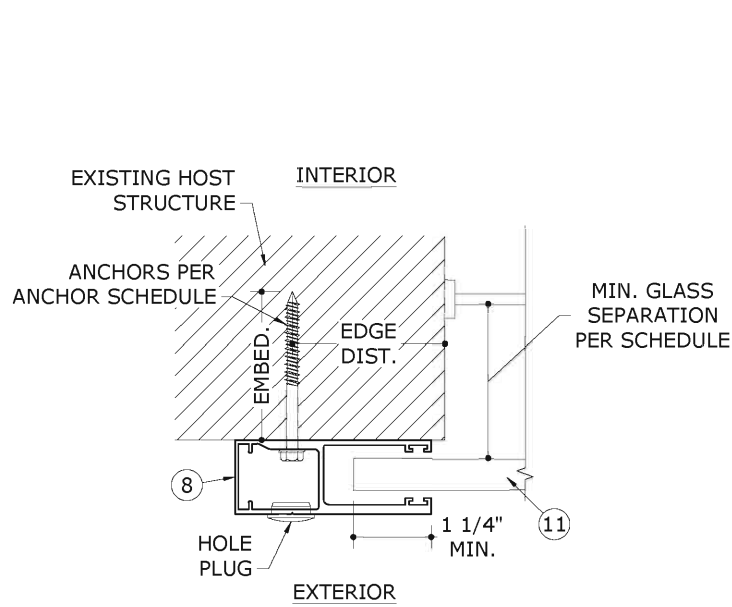
THIS DOCUMENT IS THE PROPERTY OF FRANK L. BENNARDO, P.E. AND SHALL NOT BE REPRODUCED IN WHOLE OR PART WITHOUT WRITTEN CONSENT OF FRANK L. BENNARDO, P.E. - ALTERATIONS, ADDITIONS, HIGHLIGHTING OR OTHER MARKINGS TO THIS DOCUMENT ARE NOT PERMITTED AND INVALIDATE OUR CERTIFICATION.

COPYRIGHT FRANK L. BENNARDO P.E.

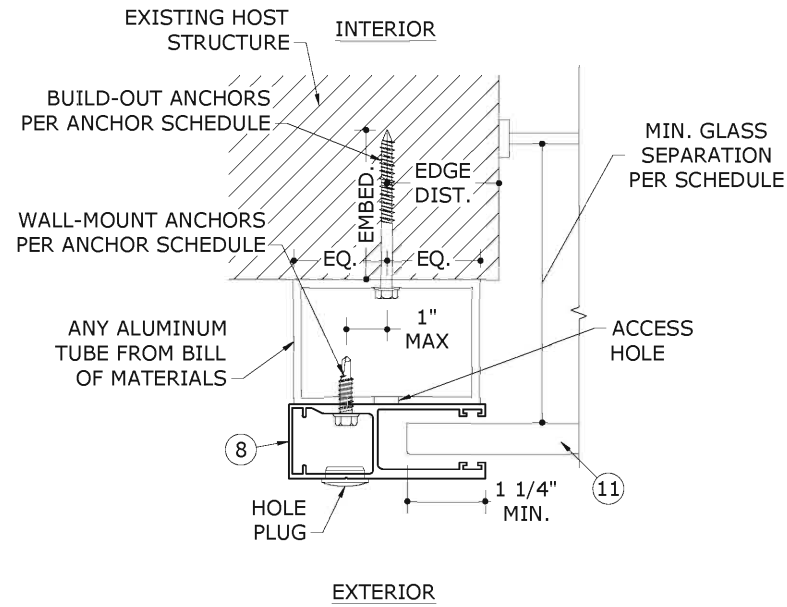
20-26180a

SCALE: -
 PAGE DESCRIPTION:

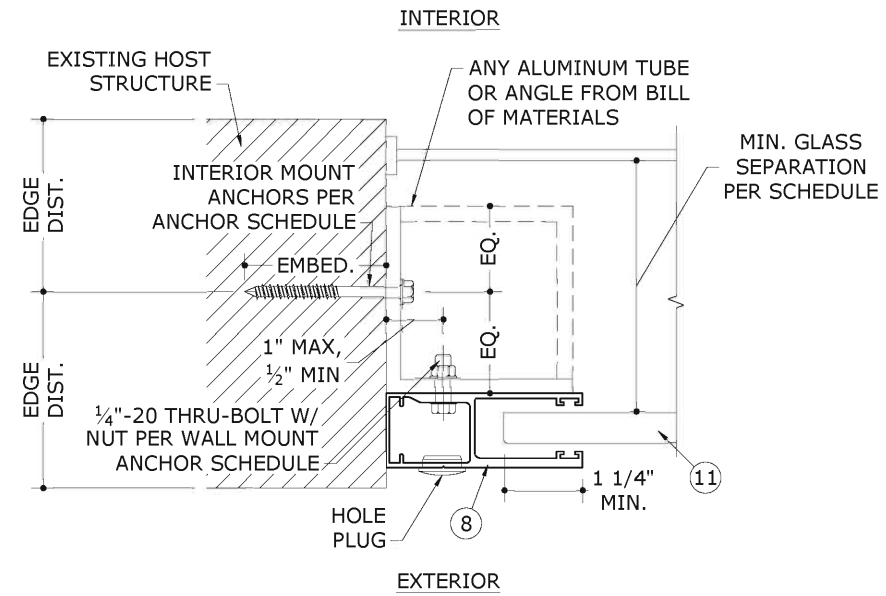
C:\Users\rickn\Engineering Express\Production - Documents\Projects\20-26180 - FL14235.1 - Maestrosfield Aluminum Roll-Up Shutter (Non-ER)\WP12020 FBC\20-26180b - FL14235.1 - DWG1a.dwg



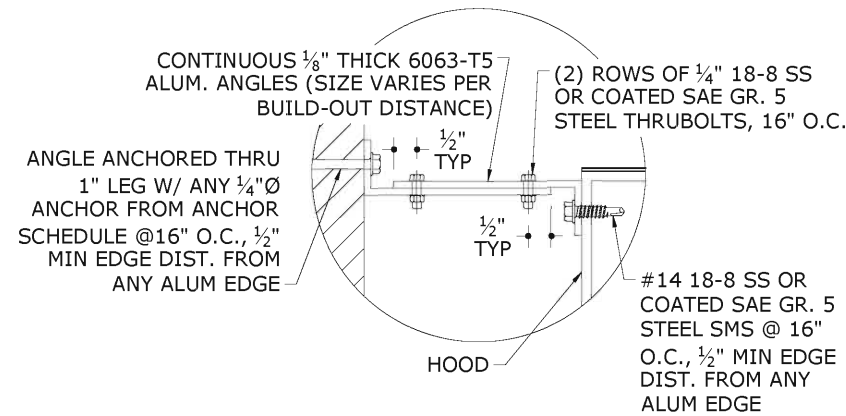
1
4 N.T.S. **HORIZ SECTION**



2
4 N.T.S. **HORIZ SECTION**



3
4 N.T.S. **HORIZ SECTION**



4
4 N.T.S. **SECTION**



ENGINEERING EXPRESS
CORPORATE OFFICE:
160 SW 12th AVE, SUITE 106
DEERFIELD BEACH, FL 33442
(954) 354-0660 | (866) 396-9999
TEAM@ENGINEERINGEXPRESS.COM
ENGINEERINGEXPRESS.COM

Town & Country INDUSTRIES
Wholesale Aluminum and Building Products
A Division of ABC Supply Co., Inc.
400 WEST MCNAB ROAD
FT. LAUDERDALE, FL 33309
FL14235.1

REMARKS	DRWN	CHKD	DATE
INIT ISSUE	KL	FLB	2/14/12
2014 FBC	RWN	CSL	4/08/15
2017 FBC	RWN	FLB	8/07/17
2020 FBC	CB	RWN	6/25/20

THIS DOCUMENT IS THE PROPERTY OF FRANK L. BENNARDO, P.E. AND SHALL NOT BE REPRODUCED IN WHOLE OR PART WITHOUT WRITTEN CONSENT OF FRANK L. BENNARDO, P.E. - ALTERATIONS, ADDITIONS, HIGHLIGHTING OR OTHER MARKINGS TO THIS DOCUMENT ARE NOT PERMITTED AND INVALIDATE OUR CERTIFICATION.

COPYRIGHT FRANK L. BENNARDO P.E.

20-26180a

SCALE: -

PAGE DESCRIPTION:

C:\Users\rickn\Engineering\Express\Production - Documents\Projects\20-26180 - FL14235.1 - Maestrosfield Aluminum Roll-Up Shutter (Non-ER)\WP\2020-FBC\20-26180b - FL14235.1 - DWG1a.dwg

ANCHOR SCHEDULE: NON-END RETENTION WALL MOUNT

ANCHOR	SUBSTRATE	MINIMUM EMBEDMENT	MINIMUM EDGE DISTANCE	MAXIMUM SPACING (O.C.)
1/4" DEWALT ULTRACON	2700 PSI MIN. CONCRETE	1.75"	2.5"	6.0"
	GROUT-FILLED CONCRETE BLOCK	2.25"	2.5"	6.0"
	HOLLOW CONCRETE BLOCK	1.25"	2.5"	6.0"
1/4" ITW SS TAPCON	3192 PSI MIN. CONCRETE	1.75"	2.5"	6.0"
	HOLLOW CONCRETE BLOCK	1.25"	2.5"	5.7"
5/16" DEWALT ULTRACON	3500 PSI MIN. CONCRETE	2.0"	3.125"	6.0"
	GROUT-FILLED CONCRETE BLOCK	2.25"	2.5"	6.0"
	HOLLOW CONCRETE BLOCK	1.25"	3.125"	6.0"
5/16 ITW TAPCON	2899 PSI MIN. CONCRETE	2.25"	3.125"	6.0"
	GROUT-FILLED CONCRETE BLOCK	2.25"	4.0"	6.0"
	HOLLOW CONCRETE BLOCK	1.75"	4.0"	6.0"
1/4" DEWALT POWER-BOLT	3000 PSI MIN. CONCRETE	2.5"	3.0"	6.0"
	GROUT-FILLED CONCRETE BLOCK	2.5"	5.25"	6.0"
	HOLLOW CONCRETE BLOCK	1.5"	12.0"	6.0"
1/4" ALL-POINTS SOLID-SET	3000 PSI MIN. CONCRETE	0.875"	3.0"	6.0"
	HOLLOW CONCRETE BLOCK	0.875"	3.0"	6.0"
1/4" LAG SCREW	G=0.42 MIN. WOOD	1.5"	0.75"	6.0"
#14 WOOD SCREW	G=0.42 MIN. WOOD	1.5"	0.75"	6.0"
#14 410 SS SMS (OR 1/4-20 410 SS THRU-BOLT)	1/8" THICK MIN. 6063-T6 ALUMINUM	FULL THREAD PENETRATION	0.5"	6.0"
3/8" DEWALT SCREW BOLT	3000 PSI MIN. CONCRETE	3.5"	4.5"	6.0"
	GROUT-FILLED CONCRETE BLOCK*	2.5"	12.0"	6.0"
3/8" DEWALT CONFLEX	1819 PSI MIN. CONCRETE	3.5"	3.75"	6.0"
	4510 PSI MIN. CONCRETE	3.5"	3.75"	6.0"
1/4" DEWALT CARBON STEEL OR 304 SS TAPPER	3000 PSI MIN. CONCRETE	1.75"	3.0"	6.0"
	HOLLOW CONCRETE BLOCK	1.25"	3.0"	5.3"

ANCHOR SCHEDULE: NON-END RETENTION INTERIOR MOUNT

ANCHOR	SUBSTRATE	MINIMUM EMBEDMENT	MINIMUM EDGE DISTANCE	MAXIMUM SPACING (O.C.)
1/4" DEWALT ULTRACON	2700 PSI MIN. CONCRETE	1.75"	2.5"	6.0"
	GROUT-FILLED CONCRETE BLOCK	2.25"	2.5"	6.0"
	HOLLOW CONCRETE BLOCK	1.25"	2.5"	5.5"
1/4" ITW SS TAPCON	3192 PSI MIN. CONCRETE	1.75"	2.5"	6.0"
	HOLLOW CONCRETE BLOCK	1.25"	2.5"	4.6"
5/16" DEWALT ULTRACON	3500 PSI MIN. CONCRETE	2.0"	3.125"	6.0"
	GROUT-FILLED CONCRETE BLOCK	2.25"	2.5"	6.0"
	HOLLOW CONCRETE BLOCK	1.25"	3.125"	6.0"
5/16 ITW TAPCON	2899 PSI MIN. CONCRETE	2.25"	3.125"	6.0"
	GROUT-FILLED CONCRETE BLOCK	2.25"	4.0"	6.0"
	HOLLOW CONCRETE BLOCK	1.75"	4.0"	6.0"
1/4" DEWALT POWER-BOLT	3000 PSI MIN. CONCRETE	2.5"	3.0"	6.0"
	GROUT-FILLED CONCRETE BLOCK	2.5"	5.25"	6.0"
	HOLLOW CONCRETE BLOCK	1.5"	12.0"	6.0"
1/4" ALL-POINTS SOLID-SET	3000 PSI MIN. CONCRETE	0.875"	3.0"	6.0"
	HOLLOW CONCRETE BLOCK	0.875"	3.0"	6.0"
1/4" LAG SCREW	G=0.42 MIN. WOOD	1.5"	0.75"	5.2"
#14 WOOD SCREW	G=0.42 MIN. WOOD	1.5"	0.75"	5.0"
#14 410 SS SMS (OR 1/4-20 410 SS THRU-BOLT)	1/8" THICK MIN. 6063-T6 ALUMINUM	FULL THREAD PENETRATION	0.5"	6.0"
3/8" DEWALT SCREW BOLT	3000 PSI MIN. CONCRETE	3.5"	4.5"	6.0"
	GROUT-FILLED CONCRETE BLOCK*	2.5"	12.0"	6.0"
3/8" DEWALT CONFLEX	1819 PSI MIN. CONCRETE	3.5"	3.75"	6.0"
	4510 PSI MIN. CONCRETE	3.5"	3.75"	6.0"
1/4" DEWALT CARBON STEEL OR 304 SS TAPPER	3000 PSI MIN. CONCRETE	1.75"	3.0"	6.0"
	HOLLOW CONCRETE BLOCK	1.25"	3.0"	4.3"

ANCHOR NOTES:

- ANCHORS SHALL BE INSTALLED IN ACCORDANCE WITH MANUFACTURERS' RECOMMENDATIONS.
- WHERE ANCHORS FASTEN TO NARROW FACE OF STUD FRAMING, ANCHOR SHALL BE LOCATED IN CENTER OF NOMINAL 2x (MIN) WOOD STUD (i.e. 3/4" EDGE DISTANCE IS ACCEPTABLE FOR ANCHORS TO WOOD FRAMING).
- MINIMUM EMBEDMENT SHALL BE AS NOTED IN ANCHOR SCHEDULE. MINIMUM EMBEDMENT AND EDGE DISTANCE EXCLUDES STUCCO, FOAM, BRICK, AND OTHER WALL FINISHES.
- ANCHOR SCHEDULE APPLIES TO ALL PRODUCTS CERTIFIED HEREIN, BUT ONLY PROVIDES MAXIMUM ALLOWABLE ANCHOR SPACING. MAXIMUM ALLOWABLE SPANS AND PRESSURES INDICATED IN SPAN SCHEDULE SHALL APPLY.
- WHERE EXISTING STRUCTURE IS WOOD FRAMING, EXISTING CONDITIONS MAY VARY. FIELD VERIFY THAT FASTENERS ARE INTO ADEQUATE WOOD FRAMING MEMBERS, NOT INTO PLYWOOD.
- WOOD BUCKS (BY OTHERS) SHALL BE ANCHORED PROPERLY TO TRANSFER LOADS TO THE EXISTING STRUCTURE.
- MACHINE SCREWS SHALL HAVE MINIMUM OF 1/2" ENGAGEMENT OF THREADS IN BASE ANCHOR AND MAY HAVE EITHER A PAN HEAD, TRUSS HEAD, OR WAFER HEAD ("SIDEWALK BOLT") U.N.O.
- SHEET METAL SCREWS SHALL BE INSTALLED WITH FULL ENGAGEMENT OF THREADS INTO METAL HOST STRUCTURE.
- DESIGNATES ANCHOR CONDITIONS WHICH ARE NOT ACCEPTABLE FOR USE.
- * ANCHOR SHALL PENETRATE THROUGH FACE SHELL INTO GROUTED CELL.

ANCHOR SCHEDULE: NON-END RETENTION BUILD-OUT MOUNT

ANCHOR	SUBSTRATE	MINIMUM EMBEDMENT	MINIMUM EDGE DISTANCE	MAXIMUM SPACING (O.C.)
1/4" DEWALT ULTRACON	2700 PSI MIN. CONCRETE	1.75"	2.5"	6.0"
	GROUT-FILLED CONCRETE BLOCK	2.25"	2.5"	6.0"
	HOLLOW CONCRETE BLOCK	1.25"	2.5"	
1/4" ITW SS TAPCON	3192 PSI MIN. CONCRETE	1.75"	2.5"	6.0"
	HOLLOW CONCRETE BLOCK	1.25"	2.5"	3.4"
5/16" DEWALT ULTRACON	3500 PSI MIN. CONCRETE	2.0"	3.125"	6.0"
	GROUT-FILLED CONCRETE BLOCK	2.25"	2.5"	6.0"
	HOLLOW CONCRETE BLOCK	1.25"	3.125"	6.0"
5/16 ITW TAPCON	2899 PSI MIN. CONCRETE	2.25"	3.125"	6.0"
	GROUT-FILLED CONCRETE BLOCK	2.25"	4.0"	6.0"
	HOLLOW CONCRETE BLOCK	1.75"	4.0"	5.6"
1/4" DEWALT POWER-BOLT	3000 PSI MIN. CONCRETE	2.5"	3.0"	6.0"
	GROUT-FILLED CONCRETE BLOCK	2.5"	5.25"	6.0"
	HOLLOW CONCRETE BLOCK	1.5"	12.0"	6.0"
1/4" ALL-POINTS SOLID-SET	3000 PSI MIN. CONCRETE	0.875"	3.0"	6.0"
	HOLLOW CONCRETE BLOCK	0.875"	3.0"	6.0"
1/4" LAG SCREW	G=0.42 MIN. WOOD	1.5"	0.75"	6.0"
#14 WOOD SCREW	G=0.42 MIN. WOOD	1.5"	0.75"	6.0"
#14 410 SS SMS (OR 1/4-20 410 SS THRU-BOLT)	1/8" THICK MIN. 6063-T6 ALUMINUM	FULL THREAD PENETRATION	0.5"	6.0"
3/8" DEWALT SCREW BOLT	3000 PSI MIN. CONCRETE	3.5"	4.5"	6.0"
	GROUT-FILLED CONCRETE BLOCK*	2.5"	12.0"	6.0"
3/8" DEWALT CONFLEX	1819 PSI MIN. CONCRETE	3.5"	3.75"	6.0"
	4510 PSI MIN. CONCRETE	3.5"	3.75"	6.0"
1/4" DEWALT CARBON STEEL OR 304 SS TAPPER	3000 PSI MIN. CONCRETE	1.75"	3.0"	6.0"
	HOLLOW CONCRETE BLOCK	1.25"	3.0"	

FRANK BENNARDO, PE
PE# 0046549 CA#9885



ENGINEERING EXPRESS
CORPORATE OFFICE:
160 SW 12th AVE, SUITE 106
DEERFIELD BEACH, FL 33442
(954) 354-0660 | (866) 396-9999
TEAM@ENGINEERINGEXPRESS.COM
ENGINEERINGEXPRESS.COM

Town & Country INDUSTRIES
Wholesale Aluminum and Building Products
A Division of ABC Supply Co., Inc.
400 WEST MCNAB ROAD
FT. LAUDERDALE, FL 33309
FL14235.1

REMARKS	DRWN	CHKD	DATE
INIT ISSUE	KL	FLB	2/14/12
2014 FBC	RWN	CSL	4/08/15
2017 FBC	RWN	FLB	8/07/17
2020 FBC	CB	RWN	6/25/20

THIS DOCUMENT IS THE PROPERTY OF FRANK L. BENNARDO, P.E. AND SHALL NOT BE REPRODUCED IN WHOLE OR PART WITHOUT WRITTEN CONSENT OF FRANK L. BENNARDO, P.E. - ALTERATIONS, ADDITIONS, HIGHLIGHTING OR OTHER MARKINGS TO THIS DOCUMENT ARE NOT PERMITTED AND INVALIDATE OUR CERTIFICATION.

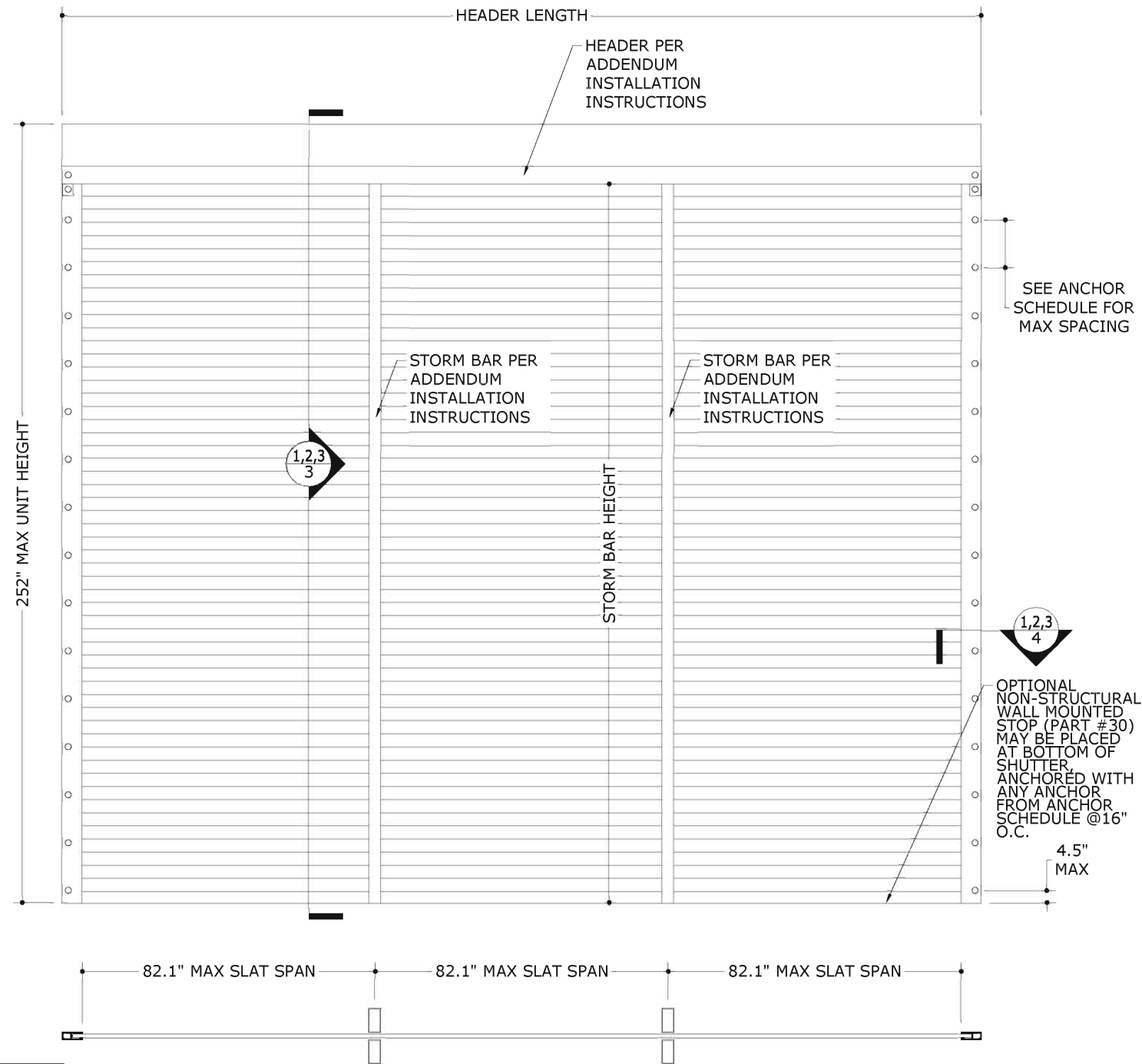
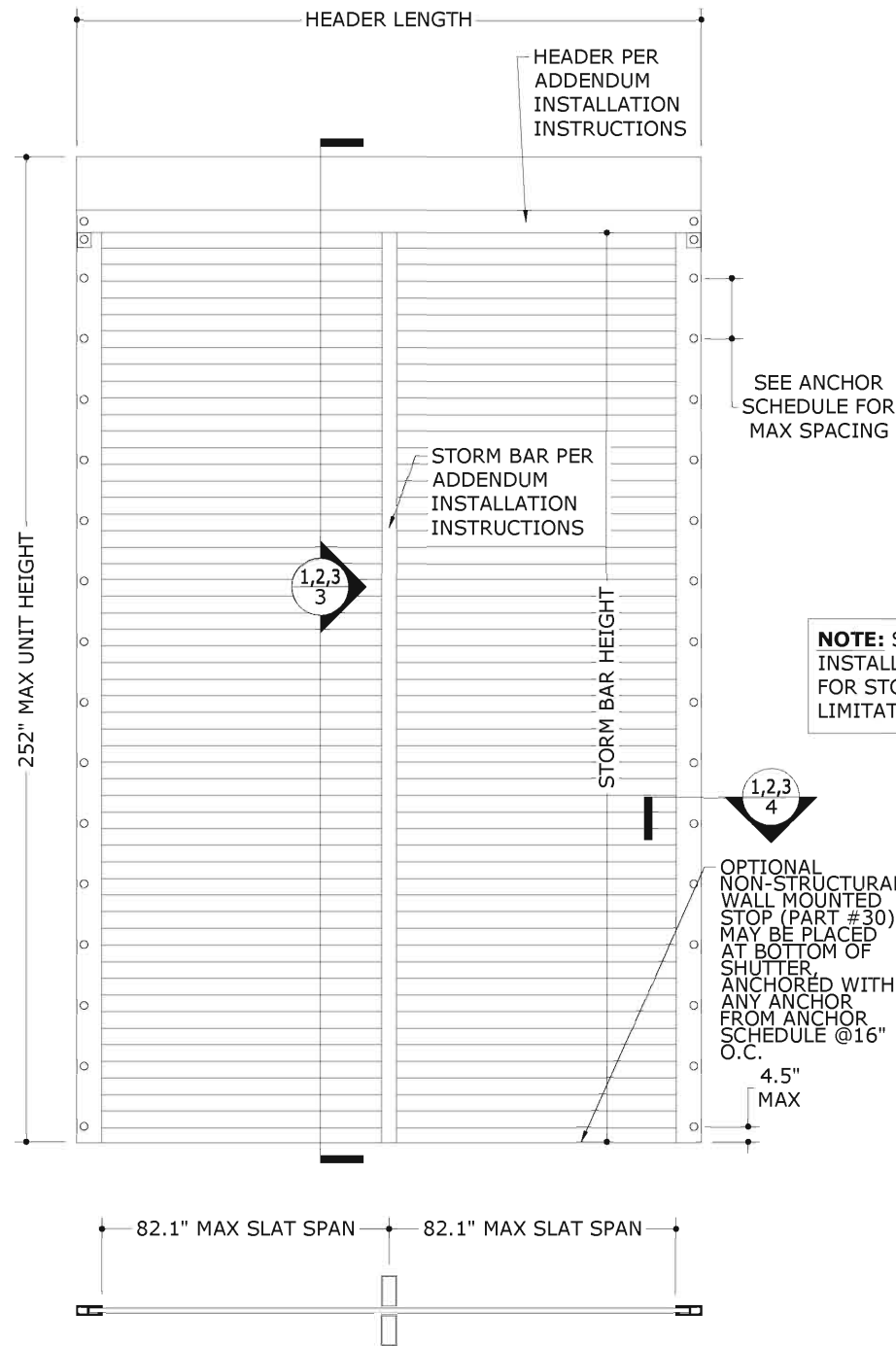
COPYRIGHT FRANK L. BENNARDO P.E.

20-26180a

SCALE: -
PAGE DESCRIPTION:

C:\Users\rickn\Engineering Express\Production - Documents\Projects\20-26180 - FL14235.1 - Maestrosfield Aluminum Roll-Up Shutter (Non ER)\WP12020 FBC\20-26180b - FL14235.1 - DWG1a.dwg

07/22/2020 - 11:15am rickn



1
6

NON-END RETENTION SHUTTER WITH STORM BARS (DOUBLE-SPAN)

N.T.S. EXTERIOR ELEV

2
6

NON-END RETENTION SHUTTER WITH STORM BARS (TRIPLE-SPAN)

N.T.S. EXTERIOR ELEV

TABLE 3 NON-END RETENTION W/ INTERIOR & EXTERIOR STORM BARS		
SLAT SPAN	ALLOWABLE DESIGN PRESSURE	
	POSITIVE	NEGATIVE
47.1"	+ 120.0 PSF	- 120.0 PSF
50.0"	+ 100.5 PSF	- 104.2 PSF
55.0"	+ 74.0 PSF	- 83.1 PSF
60.0"	+ 55.8 PSF	- 67.3 PSF
65.0"	+ 39.7 PSF	- 55.2 PSF
70.0"	+ 28.9 PSF	- 45.7 PSF
75.0"	+ 21.4 PSF	- 38.2 PSF
80.0"	+ 16.2 PSF	- 32.2 PSF
82.1"	+ 14.5 PSF	- 30.0 PSF

TABLE 3 NOTES:

- SLAT SPAN IS AS DEFINED IN DETAILS 1/6 AND 2/6.
- LINEAR INTERPOLATION BETWEEN SHUTTER SPANS IS NOT PERMITTED. FOR SPANS BETWEEN THOSE INDICATED ABOVE, THE DESIGN PRESSURES FOR THE NEXT HIGHER SPAN SHALL BE USED.

FRANK BENNARDO, PE
PE# 0046549 CA#9885



ENGINEERING EXPRESS
CORPORATE OFFICE:
160 SW 12th AVE, SUITE 106
DEERFIELD BEACH, FL 33442
(954) 354-0660 | (866) 396-9999
TEAM@ENGINEERINGEXPRESS.COM
ENGINEERINGEXPRESS.COM

Town & Country INDUSTRIES
Wholesale Aluminum and Building Products
A Division of ABC Supply Co., Inc.
400 WEST MCNAB ROAD
FT. LAUDERDALE, FL 33309

FL14235.1

DRWN	CHKD	DATE
KL	FLB	2/14/12
RWN	CSL	4/08/15
RWN	FLB	8/07/17
CB	RWN	6/25/20

REMARKS
2014 FBC
2017 FBC
2020 FBC

THIS DOCUMENT IS THE PROPERTY OF FRANK L. BENNARDO, P.E. AND SHALL NOT BE REPRODUCED IN WHOLE OR PART WITHOUT WRITTEN CONSENT OF FRANK L. BENNARDO, P.E. - ALL ALTERATIONS, ADDITIONS, HIGHLIGHTING OR OTHER MARKINGS TO THIS DOCUMENT ARE NOT PERMITTED AND INVALIDATE OUR CERTIFICATION.

COPYRIGHT FRANK L. BENNARDO P.E.

20-26180a

SCALE: -
PAGE DESCRIPTION:

