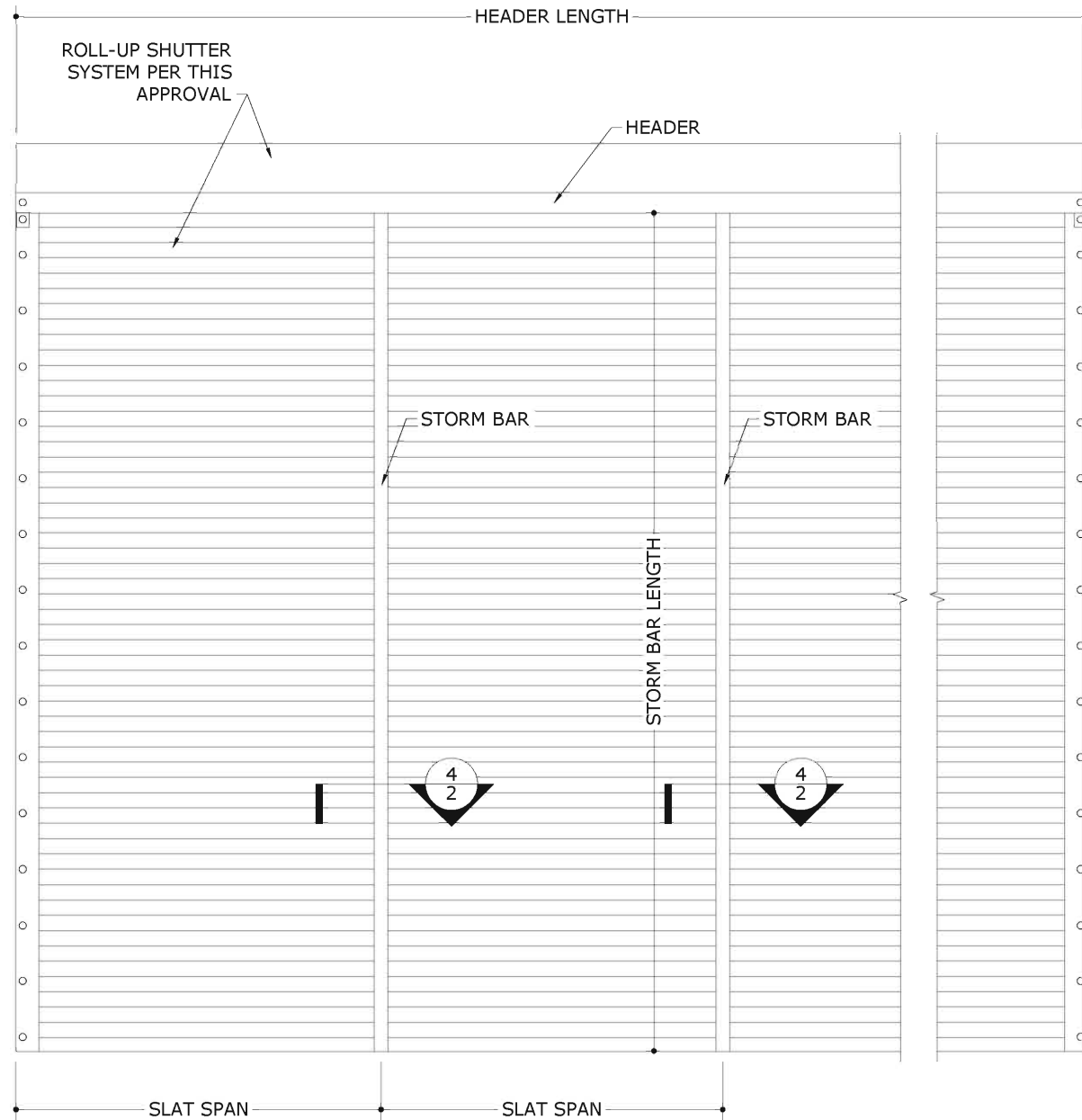


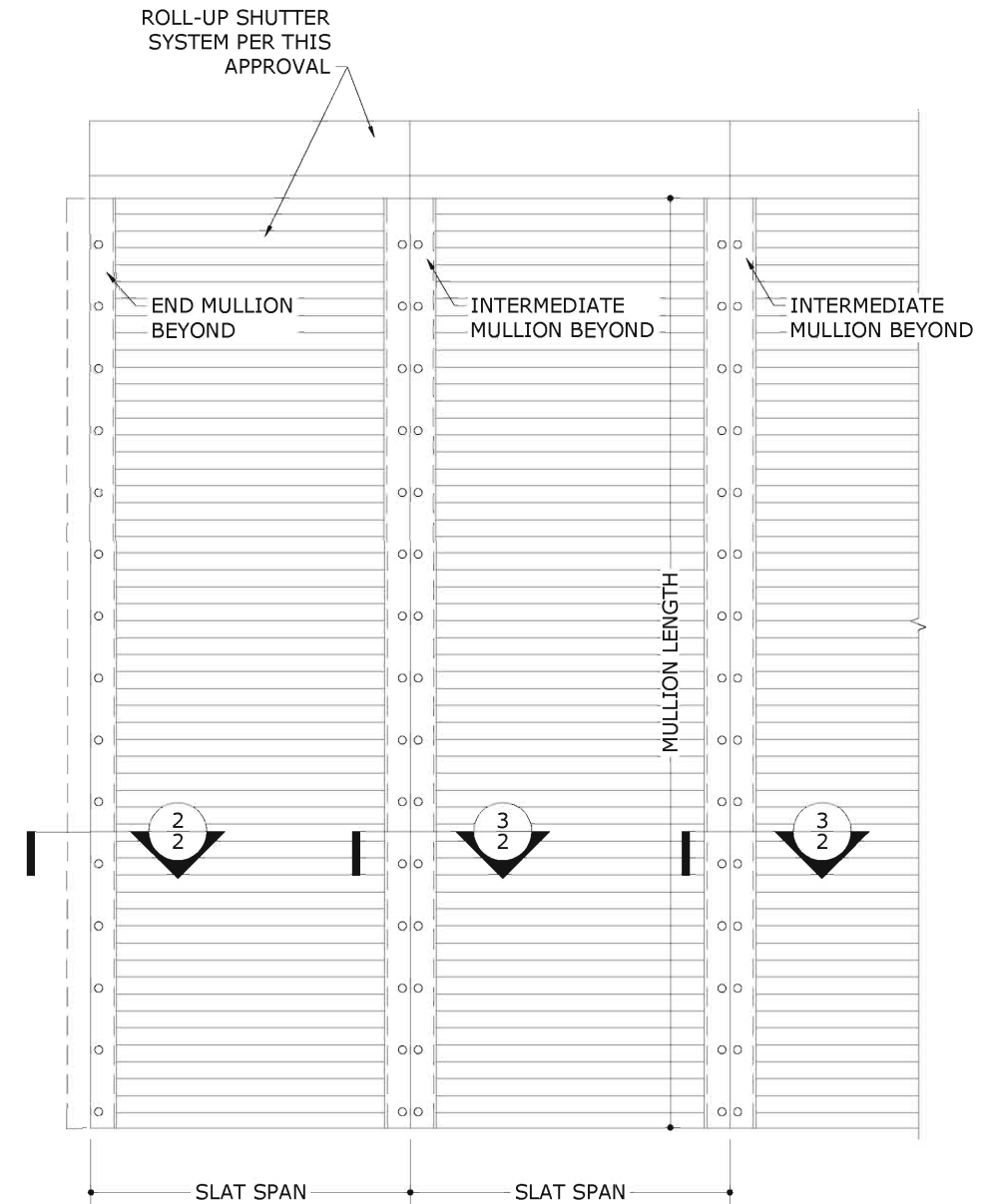
ALUMINUM STORM BARS, HEADERS AND MULLIONS

ADDENDUM INSTALLATION INSTRUCTIONS FOR ROLL-UP SHUTTER



1 TYPICAL SHUTTER WITH STORM BARS
 1 N.T.S. EXTERIOR ELEV
GENERAL NOTES

1. THE SYSTEM DESCRIBED HEREIN HAS BEEN DESIGNED AND TESTED IN ACCORDANCE WITH THE FLORIDA BUILDING CODE SEVENTH EDITION (2020), INTERNATIONAL BUILDING CODE (IBC) AND THE INTERNATIONAL RESIDENTIAL CODE (IRC), FOR USE WITHIN AND OUTSIDE THE HIGH VELOCITY HURRICANE ZONE. CRITICAL STORM BARS, MULLIONS AND HEADERS SHOWN HEREIN HAVE BEEN IMPACTED TO VERIFY LARGE MISSILE IMPACT RESISTANCE. SEE PRODUCT EVALUATION REPORT FOR MORE INFORMATION.
2. NO 33-1/3% INCREASE IN ALLOWABLE STRESS HAS BEEN USED IN THE DESIGN OF THIS SYSTEM. WIND LOAD DURATION FACTOR $C_d=1.6$ HAS BEEN USED FOR WOOD ANCHOR DESIGN.
3. POSITIVE AND NEGATIVE DESIGN PRESSURES CALCULATED FOR USE WITH THIS SYSTEM SHALL BE DETERMINED PER SEPARATE ENGINEERING IN ACCORDANCE WITH THE GOVERNING CODE. PRESSURE REQUIREMENTS AS DETERMINED IN ACCORDANCE WITH ASCE 7 AND CHAPTER 1609 OF THE FLORIDA BUILDING CODE SHALL BE LESS THAN OR EQUAL TO THE POSITIVE OR NEGATIVE DESIGN PRESSURE CAPACITY VALUES LISTED HEREIN FOR ANY ASSEMBLY AS SHOWN.
4. DESIGN PRESSURES NOTED HEREIN ARE BASED ON MAXIMUM TESTED PRESSURES DIVIDED BY A 1.5 SAFETY FACTOR.



2 TYPICAL SHUTTER WITH MULLIONS
 1 N.T.S. EXTERIOR ELEV

5. THE SYSTEM DETAILED HEREIN IS GENERIC AND DOES NOT PROVIDE INFORMATION FOR A SPECIFIC SITE. FOR SITE CONDITIONS DIFFERENT FROM THE CONDITIONS DETAILED HEREIN, A LICENSED ENGINEER OR REGISTERED ARCHITECT SHALL PREPARE SITE SPECIFIC DOCUMENTS FOR USE IN CONJUNCTION WITH THIS DOCUMENT. THIS CERTIFICATION IS VALID FOR USE IN CONJUNCTION WITH THE MOST CURRENT REVISION OF FLORIDA PRODUCT APPROVAL #FL14235.2, EYEWALL ARMOR 44MM ALUMINUM ROLL-UP SHUTTER.
6. PERMIT HOLDER SHALL VERIFY THE ADEQUACY OF THE EXISTING STRUCTURE TO WITHSTAND SUPERIMPOSED LOADS.
7. ALL EXTRUSIONS SHALL BE MINIMUM 6063-T6 ALUMINUM ALLOY, UNLESS NOTED OTHERWISE.
8. END CONNECTION DETAILS SHOWN MAY BE INTERCHANGED AS FIELD CONDITIONS DICTATE.
9. ANCHORS SHALL BE INSTALLED IN ACCORDANCE WITH MANUFACTURERS' RECOMMENDATIONS.
10. UNLESS OTHERWISE NOTED, ALL BOLTS & WASHERS SHALL BE ZINC COATED STEEL, GALVANIZED STEEL, OR STAINLESS STEEL WITH A MINIMUM TENSILE YIELD STRENGTH OF 60 KSI.
11. ALL STEEL IN CONTACT WITH ALUMINUM SHALL BE PAINTED OR PLATED AS PRESCRIBED IN THE FLORIDA BUILDING CODE.

VISIT ECALC.IO/26184

FOR SITE SPECIFIC DEVIATIONS & MORE INFORMATION ABOUT THIS DOCUMENT OR SCAN THIS QR CODE

VISIT ENGINEERINGEXPRESS.COM/STORE FOR ADDITIONAL PLANS, REPORTS & RESOURCES

FRANK BENNARDO, PE
 PE# 0046549 CA#9885



ENGINEERING EXPRESS
 CORPORATE OFFICE:
 160 SW 12th AVE, SUITE 106
 DEERFIELD BEACH, FL 33442
 (954) 354-0660 | (866) 396-9999
 TEAM@ENGINEERINGEXPRESS.COM
 ENGINEERINGEXPRESS.COM

Town & Country INDUSTRIES
 Wholesale Aluminum and Building Products
 A Division of AEC Supply Co., Inc.
 400 WEST MCNAB ROAD
 FT. LAUDERDALE, FL 33309
 FL14235.2

DRWN	CHKD	DATE
KL	FLB	4/25/14
RWN	TSB	6/04/14
RWN	CSL	4/08/15
RWN	FLB	8/07/17
CCB	RWN	6/30/20

REMARKS
 INIT/ISSUE
 REV FOR TDI
 2014 FBC
 2017 FBC
 2020 FBC

THIS DOCUMENT IS THE PROPERTY OF FRANK L. BENNARDO, P.E. AND SHALL NOT BE REPRODUCED IN WHOLE OR PART WITHOUT WRITTEN CONSENT OF FRANK L. BENNARDO, P.E. ANY UNAUTHORIZED REPRODUCTION OR TRANSMISSION OF THIS DOCUMENT IS PROHIBITED AND WILL INFLUENCE OUR CERTIFICATION.

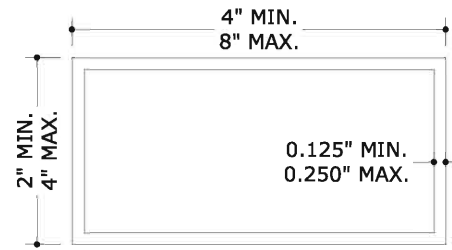
COPYRIGHT FRANK L. BENNARDO P.E.

20-26184b

SCALE: -

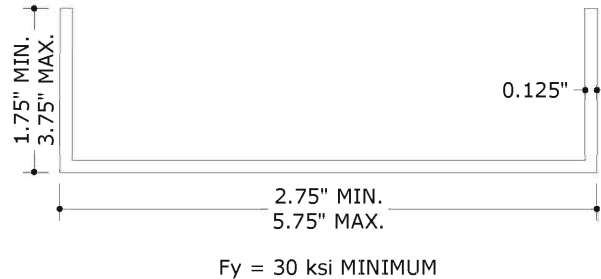
PAGE DESCRIPTION:

1 OF 15



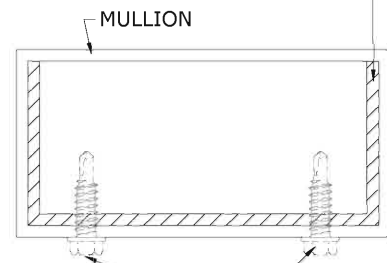
1-13 ALUMINUM TUBE
6" = 1'-0" MAT'L PER BOM

BILL OF MATERIALS		
ITEM #	DESCRIPTION	MATERIAL
1	2"x4"x0.125" TUBE	6063-T6 ALUM
2	2"x5"x0.125" TUBE	6063-T6 ALUM
3	2"x3"x0.25" TUBE	6061-T6 OR 6005-T5 ALUM
4	2"x4"x0.25" TUBE	6061-T6 OR 6005-T5 ALUM
5	2"x5"x0.25" TUBE	6061-T6 OR 6005-T5 ALUM
6	2"x6"x0.125" TUBE	6063-T6 ALUM
7	2"x6"x0.25" TUBE	6061-T6 OR 6005-T5 ALUM
8	3"x3"x0.125" TUBE	6063-T6 ALUM
9	3"x3"x0.25" TUBE	6061-T6 OR 6005-T5 ALUM
10	4"x4"x0.125" TUBE	6063-T6 ALUM
11	4"x4"x0.25" TUBE	6061-T6 OR 6005-T5 ALUM
12	4"x6"x0.25" TUBE	6061-T6 OR 6005-T5 ALUM
13	4"x8"x0.25" TUBE	6061-T6 OR 6005-T5 ALUM
14	STEEL REINFORCEMENT (Fy = 30 ksi MIN.)	A36 OR STAINLESS STEEL
15	ALUMINUM ANGLE	6061-T6 OR 6005-T5 ALUM

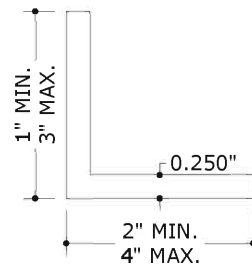


14 STEEL REINFORCEMENT
6" = 1'-0" A36 GALV. STEEL OR STAINLESS STEEL

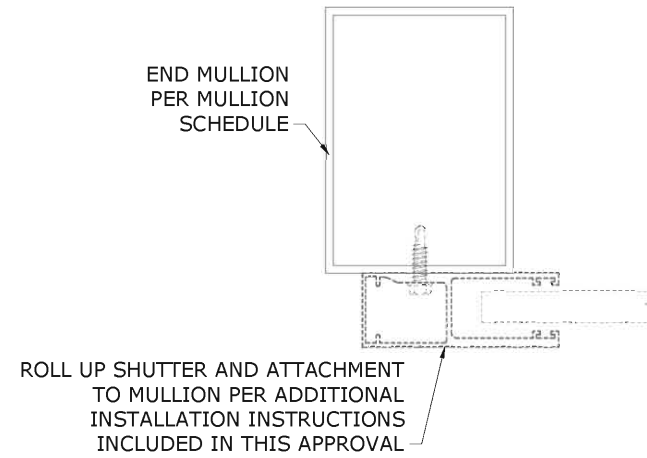
STEEL REINFORCEMENT, 90% OF THE MULLION LENGTH, MINIMUM. LOCATED AT CENTER OF MULLION.



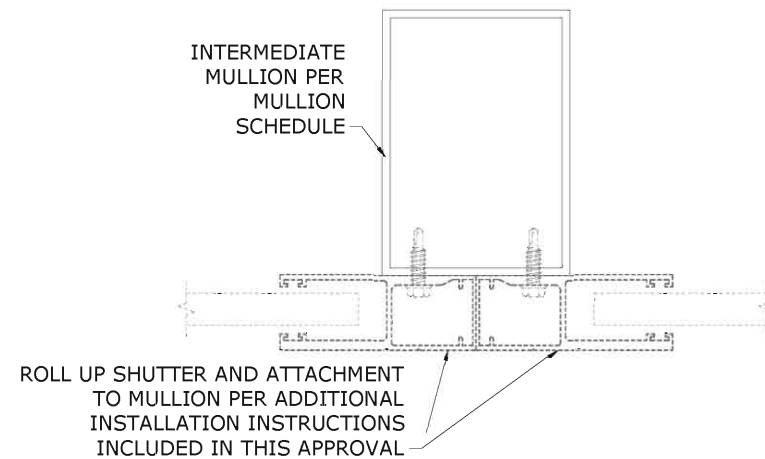
1 TYPICAL REINFORCEMENT SECTION
2 N.T.S.



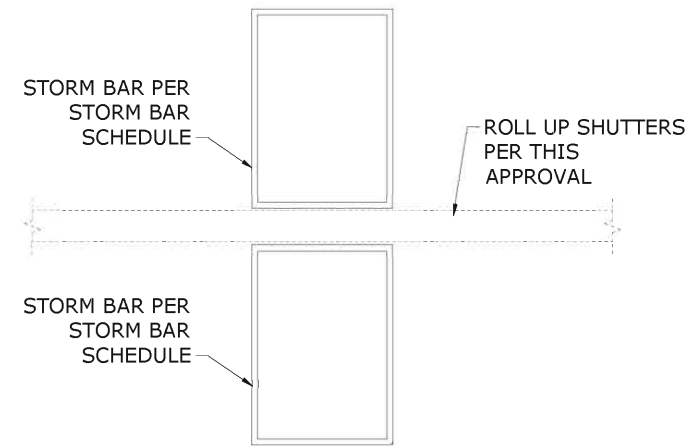
15 ALUMINUM ANGLE
6" = 1'-0" 6061-T6 OR 6005-T5 ALUM



2 TYPICAL END MULLION HORIZ SECTION
2 N.T.S.



3 TYPICAL INTERMEDIATE MULLION HORIZ SECTION
2 N.T.S.



4 TYPICAL STORM BARS HORIZ SECTION
2 N.T.S.

FRANK BENNARDO, PE
PE# 0046549 CA#9885



ENGINEERING EXPRESS
CORPORATE OFFICE:
160 SW 12th AVE, SUITE 106
DEERFIELD BEACH, FL 33442
(954) 354-0660 | (866) 396-9999
TEAM@ENGINEERINGEXPRESS.COM
ENGINEERINGEXPRESS.COM

Town & Country INDUSTRIES
Wholesale Aluminum and Building Products
A Division of ABC Supply Co., Inc.
400 WEST MCNAB ROAD
FT. LAUDERDALE, FL 33309
FL14235.2

DRWN	CHKD	DATE
KL	FLB	4/25/14
RWN	TSB	6/04/14
RWN	CSL	4/08/15
RWN	FLB	8/07/17
CCB	RWN	6/30/20

REMARKS
INIT ISSUE
REV FOR TDI
2014 FBC
2017 FBC
2020 FBC

THIS DOCUMENT IS THE PROPERTY OF FRANK L. BENNARDO, P.E. AND SHALL NOT BE REPRODUCED IN WHOLE OR PART WITHOUT WRITTEN CONSENT OF FRANK L. BENNARDO, P.E. ANY ALTERATIONS, ADDITIONS, HIGHLIGHTING OR OTHER MARKINGS TO THIS DOCUMENT ARE NOT PERMITTED AND INVALIDATE OUR CERTIFICATION.

COPYRIGHT FRANK L. BENNARDO P.E.

20-26184b

SCALE: -
PAGE DESCRIPTION:

STORM BAR AND MULLION SCHEDULE: 2"x2"x1/4"

STORM BAR HEIGHT	SLAT SPAN																								
	25"		30"		35"		40"		45"		50"		55"		60"		65"		70"		75"		80"		
	DESIGN PRESSURE (PSF)	REACTION AT ENDS (LBS)	DESIGN PRESSURE (PSF)	REACTION AT ENDS (LBS)	DESIGN PRESSURE (PSF)	REACTION AT ENDS (LBS)	DESIGN PRESSURE (PSF)	REACTION AT ENDS (LBS)	DESIGN PRESSURE (PSF)	REACTION AT ENDS (LBS)	DESIGN PRESSURE (PSF)	REACTION AT ENDS (LBS)	DESIGN PRESSURE (PSF)	REACTION AT ENDS (LBS)	DESIGN PRESSURE (PSF)	REACTION AT ENDS (LBS)	DESIGN PRESSURE (PSF)	REACTION AT ENDS (LBS)	DESIGN PRESSURE (PSF)	REACTION AT ENDS (LBS)	DESIGN PRESSURE (PSF)	REACTION AT ENDS (LBS)	DESIGN PRESSURE (PSF)	REACTION AT ENDS (LBS)	
96"	25.6	213.1																							
84"	38.2	278.3	31.8	278.3	27.3	278.3																			
72"	60.6	378.8	50.5	378.8	43.3	378.8	37.9	378.8	33.7	378.8	30.3	378.8	27.6	378.8	25.3	378.8									
60"	104.7	545.5	87.3	545.5	74.8	545.5	65.5	545.5	58.2	545.5	52.4	545.5	47.6	545.5	43.6	545.5	40.3	545.5	37.4	545.5	34.9	545.5	32.2	536.7	536.7
48"	120.0	500.0	120.0	600.0	120.0	700.0	120.0	800.0	113.7	852.4	102.3	852.4	83.1	761.8	67.3	673.0	55.2	598.0	45.7	533.2	38.2	477.5	32.2	429.3	429.3
36"	120.0	375.0	120.0	450.0	120.0	525.0	120.0	600.0	120.0	675.0	104.2	651.3	83.1	571.3	67.3	504.8	55.2	448.5	45.7	399.9	38.2	358.1	32.2	322.0	322.0
24"	120.0	250.0	120.0	300.0	120.0	350.0	120.0	400.0	120.0	450.0	104.2	434.2	83.1	380.9	67.3	336.5	55.2	299.0	45.7	266.6	38.2	238.8	32.2	214.7	214.7

STORM BAR AND MULLION SCHEDULE: 2"x4"x1/8" OR 2x3"x1/4"

MEMBER LENGTH	SLAT SPAN																								
	25"		30"		35"		40"		45"		50"		55"		60"		65"		70"		75"		80"		
	DESIGN PRESSURE (PSF)	REACTION AT ENDS (LBS)	DESIGN PRESSURE (PSF)	REACTION AT ENDS (LBS)	DESIGN PRESSURE (PSF)	REACTION AT ENDS (LBS)	DESIGN PRESSURE (PSF)	REACTION AT ENDS (LBS)	DESIGN PRESSURE (PSF)	REACTION AT ENDS (LBS)	DESIGN PRESSURE (PSF)	REACTION AT ENDS (LBS)	DESIGN PRESSURE (PSF)	REACTION AT ENDS (LBS)	DESIGN PRESSURE (PSF)	REACTION AT ENDS (LBS)	DESIGN PRESSURE (PSF)	REACTION AT ENDS (LBS)	DESIGN PRESSURE (PSF)	REACTION AT ENDS (LBS)	DESIGN PRESSURE (PSF)	REACTION AT ENDS (LBS)	DESIGN PRESSURE (PSF)	REACTION AT ENDS (LBS)	
120"	36.6	381.1	30.5	381.1	26.1	381.1																			
108"	50.2	470.5	41.8	470.5	35.8	470.5	31.4	470.5	27.9	470.5	25.1	470.5													
96"	71.5	595.4	59.5	595.4	51.0	595.4	44.7	595.4	39.7	595.4	35.7	595.4	32.5	595.4	29.8	595.4	27.5	595.4	25.5	595.4					
84"	106.7	777.7	88.9	777.7	76.2	777.7	66.7	777.7	59.3	777.7	53.3	777.7	48.5	777.7	44.4	777.7	41.0	777.7	38.1	777.7	35.6	777.7	32.2	751.3	751.3
72"	120.0	750.0	120.0	900.0	120.0	1050.0	105.9	1058.6	94.1	1058.6	84.7	1058.6	77.0	1058.6	67.3	1009.5	55.2	897.0	45.7	799.8	38.2	716.3	32.2	644.0	644.0
60"	120.0	625.0	120.0	750.0	120.0	875.0	120.0	1000.0	120.0	1125.0	104.2	1085.4	83.1	952.2	67.3	841.3	55.2	747.5	45.7	666.5	38.2	596.9	32.2	536.7	536.7
48"	120.0	500.0	120.0	600.0	120.0	700.0	120.0	800.0	120.0	900.0	104.2	868.3	83.1	761.8	67.3	673.0	55.2	598.0	45.7	533.2	38.2	477.5	32.2	429.3	429.3
36"	120.0	375.0	120.0	450.0	120.0	525.0	120.0	600.0	120.0	675.0	104.2	651.3	83.1	571.3	67.3	504.8	55.2	448.5	45.7	399.9	38.2	358.1	32.2	322.0	322.0

STORM BAR AND MULLION SCHEDULE: 2"x4"x1/4" OR 2"x5"x1/8"

MEMBER LENGTH	SLAT SPAN																								
	25"		30"		35"		40"		45"		50"		55"		60"		65"		70"		75"		80"		
	DESIGN PRESSURE (PSF)	REACTION AT ENDS (LBS)	DESIGN PRESSURE (PSF)	REACTION AT ENDS (LBS)	DESIGN PRESSURE (PSF)	REACTION AT ENDS (LBS)	DESIGN PRESSURE (PSF)	REACTION AT ENDS (LBS)	DESIGN PRESSURE (PSF)	REACTION AT ENDS (LBS)	DESIGN PRESSURE (PSF)	REACTION AT ENDS (LBS)	DESIGN PRESSURE (PSF)	REACTION AT ENDS (LBS)	DESIGN PRESSURE (PSF)	REACTION AT ENDS (LBS)	DESIGN PRESSURE (PSF)	REACTION AT ENDS (LBS)	DESIGN PRESSURE (PSF)	REACTION AT ENDS (LBS)	DESIGN PRESSURE (PSF)	REACTION AT ENDS (LBS)	DESIGN PRESSURE (PSF)	REACTION AT ENDS (LBS)	
120"	74.8	778.7	62.3	778.7	53.4	778.7	46.7	778.7	41.5	778.7	37.4	778.7	34.0	778.7	31.1	778.7	28.8	778.7	26.7	778.7					
108"	102.5	961.3	85.5	961.3	73.2	961.3	64.1	961.3	57.0	961.3	51.3	961.3	46.6	961.3	42.7	961.3	39.4	961.3	36.6	961.3	34.2	961.3	32.0	961.3	961.3
96"	120.0	1000.0	120.0	1200.0	104.3	1216.7	91.3	1216.7	81.1	1216.7	73.0	1216.7	66.4	1216.7	60.8	1216.7	55.2	1196.0	45.7	1066.3	38.2	955.0	32.2	858.7	858.7
84"	120.0	875.0	120.0	1050.0	120.0	1225.0	120.0	1400.0	112.3	1473.5	101.0	1473.5	83.1	1333.1	67.3	1177.8	55.2	1046.5	45.7	933.0	38.2	835.6	32.2	751.3	751.3
72"	120.0	750.0	120.0	900.0	120.0	1050.0	120.0	1200.0	120.0	1350.0	104.2	1302.5	83.1	1142.6	67.3	1009.5	55.2	897.0	45.7	799.8	38.2	716.3	32.2	644.0	644.0
60"	120.0	625.0	120.0	750.0	120.0	875.0	120.0	1000.0	120.0	1125.0	104.2	1085.4	83.1	952.2	67.3	841.3	55.2	747.5	45.7	666.5	38.2	596.9	32.2	536.7	536.7
48"	120.0	500.0	120.0	600.0	120.0	700.0	120.0	800.0	120.0	900.0	104.2	868.3	83.1	761.8	67.3	673.0	55.2	598.0	45.7	533.2	38.2	477.5	32.2	429.3	429.3
36"	120.0	375.0	120.0	450.0	120.0	525.0	120.0	600.0	120.0	675.0	104.2	651.3	83.1	571.3	67.3	504.8	55.2	448.5	45.7	399.9	38.2	358.1	32.2	322.0	322.0

STORM BAR AND MULLION SCHEDULE: 2"x5"x1/4"

MEMBER LENGTH	SLAT SPAN																								
	25"		30"		35"		40"		45"		50"		55"		60"		65"		70"		75"		80"		
	DESIGN PRESSURE (PSF)	REACTION AT ENDS (LBS)	DESIGN PRESSURE (PSF)	REACTION AT ENDS (LBS)	DESIGN PRESSURE (PSF)	REACTION AT ENDS (LBS)	DESIGN PRESSURE (PSF)	REACTION AT ENDS (LBS)	DESIGN PRESSURE (PSF)	REACTION AT ENDS (LBS)	DESIGN PRESSURE (PSF)	REACTION AT ENDS (LBS)	DESIGN PRESSURE (PSF)	REACTION AT ENDS (LBS)	DESIGN PRESSURE (PSF)	REACTION AT ENDS (LBS)	DESIGN PRESSURE (PSF)	REACTION AT ENDS (LBS)	DESIGN PRESSURE (PSF)	REACTION AT ENDS (LBS)	DESIGN PRESSURE (PSF)	REACTION AT ENDS (LBS)	DESIGN PRESSURE (PSF)	REACTION AT ENDS (LBS)	
120"	120.0	1250.0	113.0	1412.9	96.9	1412.9	84.8	1412.9	75.4	1412.9	67.8	1412.9	61.7	1412.9	56.5	1412.9	52.2	1412.9	45.7	1332.9	38.2	1193.8	32.2	1073.3	1073.3
108"	120.0	1125.0	120.0	1350.0	120.0	1575.0	116.3	1744.3	103.4	1744.3	93.0	1744.3	83.1	1713.9	67.3	1514.3	55.2	1345.5	45.7	1199.6	38.2	1074.4	32.2	966.0	966.0
96"	120.0	1000.0	120.0	1200.0	120.0	1400.0	120.0	1600.0	120.0	1800.0	104.2	1736.7	83.1	1523.5	67.3	1346.0	55.2	1196.0	45.7	1066.3	38.2	955.0	32.2	858.7	858.7
84"	120.0	875.0	120.0	1050.0	120.0	1225.0	120.0	1400.0	120.0	1575.0	104.2	1519.6	83.1	1333.1	67.3	1177.8	55.2	1046.5	45.7	933.0	38.2	835.6	32.2	751.3	751.3
72"	120.0	750.0	120.0	900.0	120.0	1050.0	120.0	1200.0	120.0	1350.0	104.2	1302.5	83.1	1142.6	67.3	1009.5	55.2	897.0	45.7	799.8	38.2	716.3	32.2	644.0	644.0
60"	120.0	625.0	120.0	750.0	120.0	875.0	120.0	1000.0	120.0	1125.0	104.2	1085.4	83.1	952.2	67.3	841.3	55.2	747.5	45.7	666.5	38.2	596.9	32.2	536.7	536.7
48"	120.0	500.0	120.0	600.0	120.0	700.0	120.0	800.0	120.0	900.0	104.2	868.3	83.1	761.8	67.3	673.0	55.2	598.0	45.7	533.2	38.2	477.5	32.2	429.3	429.3
36"	120.0	375.0	120.0	450.0	120.0	525.0	120.0	600.0	120.0	675.0	104.2	651.3	83.1	571.3	67.3	504.8	55.2	448.5	45.7	399.9	38.2	358.1	32.2	322.0	322.0

SEE SHEET 7 FOR STORM BAR AND MULLION SCHEDULE NOTES.

FRANK BENNARDO, PE
PE# 0046549 CA#9885



ENGINEERING EXPRESS
CORPORATE OFFICE:
160 SW 12th AVE, SUITE 106
DEERFIELD BEACH, FL 33442
(954) 354-0660 | (866) 396-9999
TEAM@ENGINEERINGEXPRESS.COM
ENGINEERINGEXPRESS.COM

Town & Country INDUSTRIES
Wholesale Aluminum and Building Products
A Division of ABC Supply Co., Inc.
400 WEST MCNAB ROAD
FT. LAUDERDALE, FL 33309
FL14235.2

REMARKS	DRWN	CHKD	DATE
INIT ISSUE	KL	FLB	4/25/14
REV FOR TDI	RWN	TSB	6/04/14
2014 FBC	RWN	CSL	4/08/15
2017 FBC	RWN	FLB	8/07/17
2020 FBC	CCB	RWN	6/30/20

THIS DOCUMENT IS THE PROPERTY OF FRANK L. BENNARDO, P.E. AND SHALL NOT BE REPRODUCED IN WHOLE OR PART WITHOUT WRITTEN CONSENT OF FRANK L. BENNARDO, P.E. - ALTERATIONS, ADDITIONS, HIGHLIGHTING OR OTHER MARKINGS TO THIS DOCUMENT ARE NOT PERMITTED AND INVALIDATE OUR CERTIFICATION.

COPYRIGHT FRANK L. BENNARDO P.E.

20-26184b

SCALE: -

PAGE DESCRIPTION:

OF 15

3

STORM BAR AND MULLION SCHEDULE: 2"x6"x1/8"

MEMBER LENGTH	SLAT SPAN																							
	25"		30"		35"		40"		45"		50"		55"		60"		65"		70"		75"		80"	
	DESIGN PRESSURE (PSF)	REACTION AT ENDS (LBS)	DESIGN PRESSURE (PSF)	REACTION AT ENDS (LBS)	DESIGN PRESSURE (PSF)	REACTION AT ENDS (LBS)	DESIGN PRESSURE (PSF)	REACTION AT ENDS (LBS)	DESIGN PRESSURE (PSF)	REACTION AT ENDS (LBS)	DESIGN PRESSURE (PSF)	REACTION AT ENDS (LBS)	DESIGN PRESSURE (PSF)	REACTION AT ENDS (LBS)	DESIGN PRESSURE (PSF)	REACTION AT ENDS (LBS)	DESIGN PRESSURE (PSF)	REACTION AT ENDS (LBS)	DESIGN PRESSURE (PSF)	REACTION AT ENDS (LBS)	DESIGN PRESSURE (PSF)	REACTION AT ENDS (LBS)	DESIGN PRESSURE (PSF)	REACTION AT ENDS (LBS)
120"	118.9	1238.3	99.1	1238.3	84.9	1238.3	74.3	1238.3	66.0	1238.3	59.4	1238.3	54.0	1238.3	49.5	1238.3	45.7	1238.3	42.5	1238.3	38.2	1193.8	32.2	1073.3
108"	120.0	1125.0	120.0	1350.0	113.1	1484.0	98.9	1484.0	87.9	1484.0	79.1	1484.0	72.0	1484.0	66.0	1484.0	55.2	1345.5	45.7	1199.6	38.2	1074.4	32.2	966.0
96"	120.0	1000.0	120.0	1200.0	120.0	1400.0	120.0	1600.0	112.3	1684.1	101.0	1684.1	83.1	1523.5	67.3	1346.0	55.2	1196.0	45.7	1066.3	38.2	955.0	32.2	858.7
84"	120.0	875.0	120.0	1050.0	120.0	1225.0	120.0	1400.0	120.0	1575.0	104.2	1519.6	83.1	1333.1	67.3	1177.8	55.2	1046.5	45.7	933.0	38.2	835.6	32.2	751.3
72"	120.0	750.0	120.0	900.0	120.0	1050.0	120.0	1200.0	120.0	1350.0	104.2	1302.5	83.1	1142.6	67.3	1009.5	55.2	897.0	45.7	799.8	38.2	716.3	32.2	644.0
60"	120.0	625.0	120.0	750.0	120.0	875.0	120.0	1000.0	120.0	1125.0	104.2	1085.4	83.1	952.2	67.3	841.3	55.2	747.5	45.7	666.5	38.2	596.9	32.2	536.7
48"	120.0	500.0	120.0	600.0	120.0	700.0	120.0	800.0	120.0	900.0	104.2	868.3	83.1	761.8	67.3	673.0	55.2	598.0	45.7	533.2	38.2	477.5	32.2	429.3

STORM BAR AND MULLION SCHEDULE: 2"x6"x1/4"

MEMBER LENGTH	SLAT SPAN																							
	25"		30"		35"		40"		45"		50"		55"		60"		65"		70"		75"		80"	
	DESIGN PRESSURE (PSF)	REACTION AT ENDS (LBS)	DESIGN PRESSURE (PSF)	REACTION AT ENDS (LBS)	DESIGN PRESSURE (PSF)	REACTION AT ENDS (LBS)	DESIGN PRESSURE (PSF)	REACTION AT ENDS (LBS)	DESIGN PRESSURE (PSF)	REACTION AT ENDS (LBS)	DESIGN PRESSURE (PSF)	REACTION AT ENDS (LBS)	DESIGN PRESSURE (PSF)	REACTION AT ENDS (LBS)	DESIGN PRESSURE (PSF)	REACTION AT ENDS (LBS)	DESIGN PRESSURE (PSF)	REACTION AT ENDS (LBS)	DESIGN PRESSURE (PSF)	REACTION AT ENDS (LBS)	DESIGN PRESSURE (PSF)	REACTION AT ENDS (LBS)	DESIGN PRESSURE (PSF)	REACTION AT ENDS (LBS)
228"	31.8	630.1	26.5	630.1																				
216"	37.4	702.1	31.2	702.1	26.7	702.1																		
204"	44.5	787.1	37.0	787.1	31.8	787.1	27.8	787.1																
192"	53.3	888.6	44.4	888.6	38.1	888.6	33.3	888.6	29.6	888.6	26.7	888.6												
180"	64.7	1011.0	53.9	1011.0	46.2	1011.0	40.4	1011.0	35.9	1011.0	32.4	1011.0	29.4	1011.0	27.0	1011.0								
168"	79.6	1160.6	66.3	1160.6	56.8	1160.6	49.7	1160.6	44.2	1160.6	39.8	1160.6	36.2	1160.6	33.2	1160.6	30.6	1160.6	28.4	1160.6	26.5	1160.6		
156"	99.4	1346.1	82.8	1346.1	71.0	1346.1	62.1	1346.1	55.2	1346.1	49.7	1346.1	45.2	1346.1	41.4	1346.1	38.2	1346.1	35.5	1346.1	33.1	1346.1	31.1	1346.1
144"	120.0	1500.0	105.3	1579.7	90.3	1579.7	79.0	1579.7	70.2	1579.7	63.2	1579.7	57.4	1579.7	52.7	1579.7	48.6	1579.7	45.1	1579.7	38.2	1432.5	32.2	1288.0
132"	120.0	1375.0	120.0	1650.0	117.2	1880.0	102.5	1880.0	91.2	1880.0	82.0	1880.0	74.6	1880.0	67.3	1850.8	55.2	1644.5	45.7	1466.2	38.2	1313.1	32.2	1180.7
120"	120.0	1250.0	120.0	1500.0	120.0	1750.0	120.0	2000.0	120.0	2250.0	104.2	2170.8	83.1	1904.4	67.3	1682.5	55.2	1495.0	45.7	1332.9	38.2	1193.8	32.2	1073.3
108"	120.0	1125.0	120.0	1350.0	120.0	1575.0	120.0	1800.0	120.0	2025.0	104.2	1953.8	83.1	1713.9	67.3	1514.3	55.2	1345.5	45.7	1199.6	38.2	1074.4	32.2	966.0
96"	120.0	1000.0	120.0	1200.0	120.0	1400.0	120.0	1600.0	120.0	1800.0	104.2	1736.7	83.1	1523.5	67.3	1346.0	55.2	1196.0	45.7	1066.3	38.2	955.0	32.2	858.7

STORM BAR AND MULLION SCHEDULE: 3"x3"x1/8"

MEMBER LENGTH	SLAT SPAN																							
	25"		30"		35"		40"		45"		50"		55"		60"		65"		70"		75"		80"	
	DESIGN PRESSURE (PSF)	REACTION AT ENDS (LBS)	DESIGN PRESSURE (PSF)	REACTION AT ENDS (LBS)	DESIGN PRESSURE (PSF)	REACTION AT ENDS (LBS)	DESIGN PRESSURE (PSF)	REACTION AT ENDS (LBS)	DESIGN PRESSURE (PSF)	REACTION AT ENDS (LBS)	DESIGN PRESSURE (PSF)	REACTION AT ENDS (LBS)	DESIGN PRESSURE (PSF)	REACTION AT ENDS (LBS)	DESIGN PRESSURE (PSF)	REACTION AT ENDS (LBS)	DESIGN PRESSURE (PSF)	REACTION AT ENDS (LBS)	DESIGN PRESSURE (PSF)	REACTION AT ENDS (LBS)	DESIGN PRESSURE (PSF)	REACTION AT ENDS (LBS)	DESIGN PRESSURE (PSF)	REACTION AT ENDS (LBS)
120"	28.5	296.9																						
108"	39.1	366.5	32.6	366.5	27.9	366.5																		
96"	55.7	463.9	46.4	463.9	39.8	463.9	34.8	463.9	30.9	463.9	27.8	463.9	25.3	463.9										
84"	83.1	605.9	69.2	605.9	59.3	605.9	51.9	605.9	46.2	605.9	41.5	605.9	37.8	605.9	34.6	605.9	32.0	605.9	29.7	605.9	27.7	605.9	26.0	605.9
72"	120.0	750.0	110.0	824.6	94.2	824.6	82.5	824.6	73.3	824.6	66.0	824.6	60.0	824.6	55.0	824.6	50.7	824.6	45.7	799.8	38.2	716.3	32.2	644.0
60"	120.0	625.0	120.0	750.0	120.0	875.0	120.0	1000.0	120.0	1125.0	104.2	1085.4	83.1	952.2	67.3	841.3	55.2	747.5	45.7	666.5	38.2	596.9	32.2	536.7
48"	120.0	500.0	120.0	600.0	120.0	700.0	120.0	800.0	120.0	900.0	104.2	868.3	83.1	761.8	67.3	673.0	55.2	598.0	45.7	533.2	38.2	477.5	32.2	429.3

STORM BAR AND MULLION SCHEDULE: 3"x3"x1/4"

MEMBER LENGTH	SLAT SPAN																							
	25"		30"		35"		40"		45"		50"		55"		60"		65"		70"		75"		80"	
	DESIGN PRESSURE (PSF)	REACTION AT ENDS (LBS)	DESIGN PRESSURE (PSF)	REACTION AT ENDS (LBS)	DESIGN PRESSURE (PSF)	REACTION AT ENDS (LBS)	DESIGN PRESSURE (PSF)	REACTION AT ENDS (LBS)	DESIGN PRESSURE (PSF)	REACTION AT ENDS (LBS)	DESIGN PRESSURE (PSF)	REACTION AT ENDS (LBS)	DESIGN PRESSURE (PSF)	REACTION AT ENDS (LBS)	DESIGN PRESSURE (PSF)	REACTION AT ENDS (LBS)	DESIGN PRESSURE (PSF)	REACTION AT ENDS (LBS)	DESIGN PRESSURE (PSF)	REACTION AT ENDS (LBS)	DESIGN PRESSURE (PSF)	REACTION AT ENDS (LBS)	DESIGN PRESSURE (PSF)	REACTION AT ENDS (LBS)
120"	50.2	522.9	41.8	522.9	35.9	522.9	31.4	522.9	27.9	522.9	25.1	522.9												
108"	68.9	645.6	57.4	645.6	49.2	645.6	43.0	645.6	38.3	645.6	34.4	645.6	31.3	645.6	28.7	645.6	26.5	645.6						
96"	98.0	817.1	81.7	817.1	70.0	817.1	61.3	817.1	54.5	817.1	49.0	817.1	44.6	817.1	40.9	817.1	37.7	817.1	35.0	817.1	32.7	817.1	30.6	817.1
84"	120.0	875.0	120.0	1050.0	104.5	1067.2	91.5	1067.2	81.3	1067.2	73.2	1067.2	66.5	1067.2	61.0	1067.2	55.2	1046.5	45.7	933.0	38.2	835.6	32.2	751.3
72"	120.0	750.0	120.0	900.0	120.0	1050.0	120.0	1200.0	120.0	1350.0	104.2	1302.5	83.1	1142.6	67.3	1009.5	55.2	897.0	45.7	799.8	38.2	716.3	32.2	644.0
60"	120.0	625.0	120.0	750.0	120.0	875.0	120.0	1000.0	120.0	1125.0	104.2	1085.4	83.1	952.2	67.3	841.3	55.2	747.5	45.7	666.5	38.2	596.9	32.2	536.7
48"	120.0	500.0	120.0	600.0	120.0	700.0	120.0	800.0	120.0	900.0	104.2	868.3	83.1	761.8	67.3	673.0	55.2	598.0	45.7	533.2	38.2	477.5	32.2	429.3

SEE SHEET 7 FOR STORM BAR AND MULLION SCHEDULE NOTES.



ENGINEERING EXPRESS
 CORPORATE OFFICE:
 160 SW 12th AVE, SUITE 106
 DEERFIELD BEACH, FL 33442
 (954) 354-0660 | (866) 396-9999
 TEAM@ENGINEERINGEXPRESS.COM
 ENGINEERINGEXPRESS.COM

Town & Country INDUSTRIES
 Wholesale Aluminum and Building Products
 A Division of ABC Supply Co., Inc.
 400 WEST MCNAB ROAD
 FT. LAUDERDALE, FL 33309
 FL14235.2

DRWN	CHKD	DATE
KL	FLB	4/25/14
RWN	TSB	6/04/14
RWN	CSL	4/08/15
RWN	FLB	8/07/17
CCB	RWN	6/30/20

REMARKS:
 INIT ISSUE
 REV FOR TDI
 2014 FBC
 2017 FBC
 2020 FBC

THIS DOCUMENT IS THE PROPERTY OF FRANK L. BENNARDO, P.E. AND SHALL NOT BE REPRODUCED IN WHOLE OR PART WITHOUT WRITTEN CONSENT OF FRANK L. BENNARDO, P.E. - ALTERATIONS, ADDITIONS, HIGHLIGHTING OR OTHER MARKINGS TO THIS DOCUMENT ARE NOT PERMITTED AND INVALIDATE OUR CERTIFICATION.

COPYRIGHT FRANK L. BENNARDO P.E.

20-26184b
 SCALE: -
 PAGE DESCRIPTION: -

STORM BAR AND MULLION SCHEDULE: 4"x4"x1/8"

MEMBER LENGTH	SLAT SPAN																								
	25"		30"		35"		40"		45"		50"		55"		60"		65"		70"		75"		80"		
	DESIGN PRESSURE (PSF)	REACTION AT ENDS (LBS)	DESIGN PRESSURE (PSF)	REACTION AT ENDS (LBS)	DESIGN PRESSURE (PSF)	REACTION AT ENDS (LBS)	DESIGN PRESSURE (PSF)	REACTION AT ENDS (LBS)	DESIGN PRESSURE (PSF)	REACTION AT ENDS (LBS)	DESIGN PRESSURE (PSF)	REACTION AT ENDS (LBS)	DESIGN PRESSURE (PSF)	REACTION AT ENDS (LBS)	DESIGN PRESSURE (PSF)	REACTION AT ENDS (LBS)	DESIGN PRESSURE (PSF)	REACTION AT ENDS (LBS)	DESIGN PRESSURE (PSF)	REACTION AT ENDS (LBS)	DESIGN PRESSURE (PSF)	REACTION AT ENDS (LBS)	DESIGN PRESSURE (PSF)	REACTION AT ENDS (LBS)	
120"	69.7	726.3	58.1	726.3	49.8	726.3	43.6	726.3	38.7	726.3	34.9	726.3	31.7	726.3	29.1	726.3	26.8	726.3							
108"	95.6	896.6	79.7	896.6	68.3	896.6	59.8	896.6	53.1	896.6	47.8	896.6	43.5	896.6	39.9	896.6	36.8	896.6	34.2	896.6	31.9	896.6	29.9	896.6	896.6
96"	120.0	1000.0	113.5	1134.8	97.3	1134.8	85.1	1134.8	75.7	1134.8	68.1	1134.8	61.9	1134.8	56.7	1134.8	52.4	1134.8	45.7	1066.3	38.2	955.0	32.2	858.7	858.7
84"	120.0	875.0	120.0	1050.0	120.0	1225.0	120.0	1400.0	112.9	1482.2	101.6	1482.2	83.1	1333.1	67.3	1177.8	55.2	1046.5	45.7	933.0	38.2	835.6	32.2	751.3	751.3
72"	120.0	750.0	120.0	900.0	120.0	1050.0	120.0	1200.0	120.0	1350.0	104.2	1302.5	83.1	1142.6	67.3	1009.5	55.2	897.0	45.7	799.8	38.2	716.3	32.2	644.0	644.0
60"	120.0	625.0	120.0	750.0	120.0	875.0	120.0	1000.0	120.0	1125.0	104.2	1085.4	83.1	952.2	67.3	841.3	55.2	747.5	45.7	666.5	38.2	596.9	32.2	536.7	536.7
48"	120.0	500.0	120.0	600.0	120.0	700.0	120.0	800.0	120.0	900.0	104.2	868.3	83.1	761.8	67.3	673.0	55.2	598.0	45.7	533.2	38.2	477.5	32.2	429.3	429.3
36"	120.0	375.0	120.0	450.0	120.0	525.0	120.0	600.0	120.0	675.0	104.2	651.3	83.1	571.3	67.3	504.8	55.2	448.5	45.7	399.9	38.2	358.1	32.2	322.0	322.0

STORM BAR AND MULLION SCHEDULE: 4"x4"x1/4"

MEMBER LENGTH	SLAT SPAN																								
	25"		30"		35"		40"		45"		50"		55"		60"		65"		70"		75"		80"		
	DESIGN PRESSURE (PSF)	REACTION AT ENDS (LBS)	DESIGN PRESSURE (PSF)	REACTION AT ENDS (LBS)	DESIGN PRESSURE (PSF)	REACTION AT ENDS (LBS)	DESIGN PRESSURE (PSF)	REACTION AT ENDS (LBS)	DESIGN PRESSURE (PSF)	REACTION AT ENDS (LBS)	DESIGN PRESSURE (PSF)	REACTION AT ENDS (LBS)	DESIGN PRESSURE (PSF)	REACTION AT ENDS (LBS)	DESIGN PRESSURE (PSF)	REACTION AT ENDS (LBS)	DESIGN PRESSURE (PSF)	REACTION AT ENDS (LBS)	DESIGN PRESSURE (PSF)	REACTION AT ENDS (LBS)	DESIGN PRESSURE (PSF)	REACTION AT ENDS (LBS)	DESIGN PRESSURE (PSF)	REACTION AT ENDS (LBS)	
120"	120.0	1250.0	105.7	1320.9	90.6	1320.9	79.3	1320.9	70.5	1320.9	63.4	1320.9	57.6	1320.9	52.8	1320.9	48.8	1320.9	45.3	1320.9	38.2	1193.8	32.2	1073.3	1073.3
108"	120.0	1125.0	120.0	1350.0	120.0	1575.0	108.7	1630.8	96.6	1630.8	87.0	1630.8	79.1	1630.8	67.3	1514.3	55.2	1345.5	45.7	1199.6	38.2	1074.4	32.2	966.0	966.0
96"	120.0	1000.0	120.0	1200.0	120.0	1400.0	120.0	1600.0	120.0	1800.0	104.2	1736.7	83.1	1523.5	67.3	1346.0	55.2	1196.0	45.7	1066.3	38.2	955.0	32.2	858.7	858.7
84"	120.0	875.0	120.0	1050.0	120.0	1225.0	120.0	1400.0	120.0	1575.0	104.2	1519.6	83.1	1333.1	67.3	1177.8	55.2	1046.5	45.7	933.0	38.2	835.6	32.2	751.3	751.3
72"	120.0	750.0	120.0	900.0	120.0	1050.0	120.0	1200.0	120.0	1350.0	104.2	1302.5	83.1	1142.6	67.3	1009.5	55.2	897.0	45.7	799.8	38.2	716.3	32.2	644.0	644.0
60"	120.0	625.0	120.0	750.0	120.0	875.0	120.0	1000.0	120.0	1125.0	104.2	1085.4	83.1	952.2	67.3	841.3	55.2	747.5	45.7	666.5	38.2	596.9	32.2	536.7	536.7
48"	120.0	500.0	120.0	600.0	120.0	700.0	120.0	800.0	120.0	900.0	104.2	868.3	83.1	761.8	67.3	673.0	55.2	598.0	45.7	533.2	38.2	477.5	32.2	429.3	429.3

STORM BAR AND MULLION SCHEDULE: 4"x6"x1/4"

MEMBER LENGTH	SLAT SPAN																								
	25"		30"		35"		40"		45"		50"		55"		60"		65"		70"		75"		80"		
	DESIGN PRESSURE (PSF)	REACTION AT ENDS (LBS)	DESIGN PRESSURE (PSF)	REACTION AT ENDS (LBS)	DESIGN PRESSURE (PSF)	REACTION AT ENDS (LBS)	DESIGN PRESSURE (PSF)	REACTION AT ENDS (LBS)	DESIGN PRESSURE (PSF)	REACTION AT ENDS (LBS)	DESIGN PRESSURE (PSF)	REACTION AT ENDS (LBS)	DESIGN PRESSURE (PSF)	REACTION AT ENDS (LBS)	DESIGN PRESSURE (PSF)	REACTION AT ENDS (LBS)	DESIGN PRESSURE (PSF)	REACTION AT ENDS (LBS)	DESIGN PRESSURE (PSF)	REACTION AT ENDS (LBS)	DESIGN PRESSURE (PSF)	REACTION AT ENDS (LBS)	DESIGN PRESSURE (PSF)	REACTION AT ENDS (LBS)	
228"	49.2	973.0	41.0	973.0	35.1	973.0	30.7	973.0	27.3	973.0															
216"	57.8	1084.1	48.2	1084.1	41.3	1084.1	36.1	1084.1	32.1	1084.1	28.9	1084.1	26.3	1084.1											
204"	68.6	1215.4	57.2	1215.4	49.0	1215.4	42.9	1215.4	38.1	1215.4	34.3	1215.4	31.2	1215.4	28.6	1215.4	26.4	1215.4							
192"	82.3	1372.0	68.6	1372.0	58.8	1372.0	51.5	1372.0	45.7	1372.0	41.2	1372.0	37.4	1372.0	34.3	1372.0	31.7	1372.0	29.4	1372.0	27.4	1372.0	25.7	1372.0	1372.0
180"	99.9	1561.1	83.3	1561.1	71.4	1561.1	62.4	1561.1	55.5	1561.1	50.0	1561.1	45.4	1561.1	41.6	1561.1	38.4	1561.1	35.7	1561.1	33.3	1561.1	31.2	1561.1	1561.1
168"	120.0	1750.0	102.4	1792.0	87.8	1792.0	76.8	1792.0	68.3	1792.0	61.4	1792.0	55.9	1792.0	51.2	1792.0	47.3	1792.0	43.9	1792.0	38.2	1671.3	32.2	1502.7	1502.7
156"	120.0	1625.0	120.0	1950.0	109.6	2078.3	95.9	2078.3	85.3	2078.3	76.7	2078.3	69.8	2078.3	63.9	2078.3	55.2	1943.5	45.7	1732.8	38.2	1551.9	32.2	1395.3	1395.3
144"	120.0	1500.0	120.0	1800.0	120.0	2100.0	120.0	2400.0	108.4	2439.2	97.6	2439.2	83.1	2285.3	67.3	2019.0	55.2	1794.0	45.7	1599.5	38.2	1432.5	32.2	1288.0	1288.0
132"	120.0	1375.0	120.0	1650.0	120.0	1925.0	120.0	2200.0	120.0	2475.0	104.2	2387.9	83.1	2094.8	67.3	1850.8	55.2	1644.5	45.7	1466.2	38.2	1313.1	32.2	1180.7	1180.7
120"	120.0	1250.0	120.0	1500.0	120.0	1750.0	120.0	2000.0	120.0	2250.0	104.2	2170.8	83.1	1904.4	67.3	1682.5	55.2	1495.0	45.7	1332.9	38.2	1193.8	32.2	1073.3	1073.3
108"	120.0	1125.0	120.0	1350.0	120.0	1575.0	120.0	1800.0	120.0	2025.0	104.2	1953.8	83.1	1713.9	67.3	1514.3	55.2	1345.5	45.7	1199.6	38.2	1074.4	32.2	966.0	966.0
96"	120.0	1000.0	120.0	1200.0	120.0	1400.0	120.0	1600.0	120.0	1800.0	104.2	1736.7	83.1	1523.5	67.3	1346.0	55.2	1196.0	45.7	1066.3	38.2	955.0	32.2	858.7	858.7
84"	120.0	875.0	120.0	1050.0	120.0	1225.0	120.0	1400.0	120.0	1575.0	104.2	1519.6	83.1	1333.1	67.3	1177.8	55.2	1046.5	45.7	933.0	38.2	835.6	32.2	751.3	751.3
72"	120.0	750.0	120.0	900.0	120.0	1050.0	120.0	1200.0	120.0	1350.0	104.2	1302.5	83.1	1142.6	67.3	1009.5	55.2	897.0	45.7	799.8	38.2	716.3	32.2	644.0	644.0
60"	120.0	625.0	120.0	750.0	120.0	875.0	120.0	1000.0	120.0	1125.0	104.2	1085.4	83.1	952.2	67.3	841.3	55.2	747.5	45.7	666.5	38.2	596.9	32.2	536.7	536.7
48"	120.0	500.0	120.0	600.0	120.0	700.0	120.0	800.0	120.0	900.0	104.2	868.3	83.1	761.8	67.3	673.0	55.2	598.0	45.7	533.2	38.2	477.5	32.2	429.3	429.3
36"	120.0	375.0	120.0	450.0	120.0	525.0	120.0	600.0	120.0	675.0	104.2	651.3	83.1	571.3	67.3	504.8	55.2	448.5	45.7	399.9	38.2	358.1	32.2	322.0	322.0

SEE SHEET 7 FOR STORM BAR AND MULLION SCHEDULE NOTES.

FRANK BENNARDO, PE
PE# 0046549 CA#9885



ENGINEERING EXPRESS
CORPORATE OFFICE:
160 SW 12th AVE, SUITE 106
DEERFIELD BEACH, FL 33442
(954) 354-0660 | (866) 396-9999
TEAM@ENGINEERINGEXPRESS.COM

Town & Country INDUSTRIES
Wholesale Aluminum and Building Products
A Division of ABC Supply Co., Inc.
400 WEST MCNAB ROAD
FT. LAUDERDALE, FL 33309
FL14235.2

REMARKS	DRWN	CHKD	DATE
INIT ISSUE	KL	FLB	4/25/14
REV FOR TDI	RWN	TSB	6/04/14
2014 FBC	RWN	CSL	4/08/15
2017 FBC	RWN	FLB	8/07/17
2020 FBC	CCB	RWN	6/30/20

THIS DOCUMENT IS THE PROPERTY OF FRANK L. BENNARDO, PE AND SHALL NOT BE REPRODUCED IN WHOLE OR PART WITHOUT WRITTEN CONSENT OF FRANK L. BENNARDO, P.E. - ALTERATIONS, ADDITIONS, HIGHLIGHTING OR OTHER MARKINGS TO THIS DOCUMENT ARE NOT PERMITTED AND INVALIDATE CERTIFICATION.

COPYRIGHT FRANK L. BENNARDO P.E.

20-26184b

SCALE: -
PAGE DESCRIPTION:

STORM BAR AND MULLION SCHEDULE: 4"x8"x1/4"

MEMBER LENGTH	SLAT SPAN																							
	25"		30"		35"		40"		45"		50"		55"		60"		65"		70"		75"		80"	
	DESIGN PRESSURE (PSF)	REACTION AT ENDS (LBS)	DESIGN PRESSURE (PSF)	REACTION AT ENDS (LBS)	DESIGN PRESSURE (PSF)	REACTION AT ENDS (LBS)	DESIGN PRESSURE (PSF)	REACTION AT ENDS (LBS)	DESIGN PRESSURE (PSF)	REACTION AT ENDS (LBS)	DESIGN PRESSURE (PSF)	REACTION AT ENDS (LBS)	DESIGN PRESSURE (PSF)	REACTION AT ENDS (LBS)	DESIGN PRESSURE (PSF)	REACTION AT ENDS (LBS)	DESIGN PRESSURE (PSF)	REACTION AT ENDS (LBS)	DESIGN PRESSURE (PSF)	REACTION AT ENDS (LBS)	DESIGN PRESSURE (PSF)	REACTION AT ENDS (LBS)	DESIGN PRESSURE (PSF)	REACTION AT ENDS (LBS)
228"	99.7	1973.8	83.1	1973.8	71.2	1973.8	62.3	1973.8	55.4	1973.8	49.9	1973.8	45.3	1973.8	41.6	1973.8	38.4	1973.8	35.6	1973.8	33.2	1973.8	31.2	1973.8
216"	117.3	2199.2	97.7	2199.2	83.8	2199.2	73.3	2199.2	65.2	2199.2	58.6	2199.2	53.3	2199.2	48.9	2199.2	45.1	2199.2	41.9	2199.2	38.2	2148.8	32.2	1932.0
204"	120.0	2125.0	116.0	2465.5	99.4	2465.5	87.0	2465.5	77.3	2465.5	69.6	2465.5	63.3	2465.5	58.0	2465.5	53.5	2465.5	45.7	2266.0	38.2	2029.4	32.2	1824.7
192"	120.0	2000.0	120.0	2400.0	119.3	2783.3	104.4	2783.3	92.8	2783.3	83.5	2783.3	75.9	2783.3	67.3	2692.0	55.2	2392.0	45.7	2132.7	38.2	1910.0	32.2	1717.3
180"	120.0	1875.0	120.0	2250.0	120.0	2625.0	120.0	3000.0	112.6	3166.8	101.3	3166.8	83.1	2856.6	67.3	2523.8	55.2	2242.5	45.7	1999.4	38.2	1790.6	32.2	1610.0
168"	120.0	1750.0	120.0	2100.0	120.0	2450.0	120.0	2800.0	120.0	3150.0	104.2	3039.2	83.1	2666.1	67.3	2355.5	55.2	2093.0	45.7	1866.1	38.2	1671.3	32.2	1502.7
156"	120.0	1625.0	120.0	1950.0	120.0	2275.0	120.0	2600.0	120.0	2925.0	104.2	2822.1	83.1	2475.7	67.3	2187.3	55.2	1943.5	45.7	1732.8	38.2	1551.9	32.2	1395.3
144"	120.0	1500.0	120.0	1800.0	120.0	2100.0	120.0	2400.0	120.0	2700.0	104.2	2605.0	83.1	2285.3	67.3	2019.0	55.2	1794.0	45.7	1599.5	38.2	1432.5	32.2	1288.0
132"	120.0	1375.0	120.0	1650.0	120.0	1925.0	120.0	2200.0	120.0	2475.0	104.2	2387.9	83.1	2094.8	67.3	1850.8	55.2	1644.5	45.7	1466.2	38.2	1313.1	32.2	1180.7
120"	120.0	1250.0	120.0	1500.0	120.0	1750.0	120.0	2000.0	120.0	2250.0	104.2	2170.8	83.1	1904.4	67.3	1682.5	55.2	1495.0	45.7	1332.9	38.2	1193.8	32.2	1073.3
108"	120.0	1125.0	120.0	1350.0	120.0	1575.0	120.0	1800.0	120.0	2025.0	104.2	1953.8	83.1	1713.9	67.3	1514.3	55.2	1345.5	45.7	1199.6	38.2	1074.4	32.2	966.0
96"	120.0	1000.0	120.0	1200.0	120.0	1400.0	120.0	1600.0	120.0	1800.0	104.2	1736.7	83.1	1523.5	67.3	1346.0	55.2	1196.0	45.7	1066.3	38.2	955.0	32.2	858.7
84"	120.0	875.0	120.0	1050.0	120.0	1225.0	120.0	1400.0	120.0	1575.0	104.2	1519.6	83.1	1333.1	67.3	1177.8	55.2	1046.5	45.7	933.0	38.2	835.6	32.2	751.3
72"	120.0	750.0	120.0	900.0	120.0	1050.0	120.0	1200.0	120.0	1350.0	104.2	1302.5	83.1	1142.6	67.3	1009.5	55.2	897.0	45.7	799.8	38.2	716.3	32.2	644.0
60"	120.0	625.0	120.0	750.0	120.0	875.0	120.0	1000.0	120.0	1125.0	104.2	1085.4	83.1	952.2	67.3	841.3	55.2	747.5	45.7	666.5	38.2	596.9	32.2	536.7
48"	120.0	500.0	120.0	600.0	120.0	700.0	120.0	800.0	120.0	900.0	104.2	868.3	83.1	761.8	67.3	673.0	55.2	598.0	45.7	533.2	38.2	477.5	32.2	429.3
36"	120.0	375.0	120.0	450.0	120.0	525.0	120.0	600.0	120.0	675.0	104.2	651.3	83.1	571.3	67.3	504.8	55.2	448.5	45.7	399.9	38.2	358.1	32.2	322.0

STORM BAR AND MULLION SCHEDULE: 2"x4"x1/8" WITH 1.75"x3.75"x0.125" STEEL REINFORCEMENT*

MEMBER LENGTH	SLAT SPAN																							
	25"		30"		35"		40"		45"		50"		55"		60"		65"		70"		75"		80"	
	DESIGN PRESSURE (PSF)	REACTION AT ENDS (LBS)	DESIGN PRESSURE (PSF)	REACTION AT ENDS (LBS)	DESIGN PRESSURE (PSF)	REACTION AT ENDS (LBS)	DESIGN PRESSURE (PSF)	REACTION AT ENDS (LBS)	DESIGN PRESSURE (PSF)	REACTION AT ENDS (LBS)	DESIGN PRESSURE (PSF)	REACTION AT ENDS (LBS)	DESIGN PRESSURE (PSF)	REACTION AT ENDS (LBS)	DESIGN PRESSURE (PSF)	REACTION AT ENDS (LBS)	DESIGN PRESSURE (PSF)	REACTION AT ENDS (LBS)	DESIGN PRESSURE (PSF)	REACTION AT ENDS (LBS)	DESIGN PRESSURE (PSF)	REACTION AT ENDS (LBS)	DESIGN PRESSURE (PSF)	REACTION AT ENDS (LBS)
120"	93.4	973.2	77.9	973.2	66.7	973.2	58.4	973.2	51.9	973.2	46.7	973.2	42.5	973.2	38.9	973.2	35.9	973.2	33.4	973.2	31.1	973.2	29.2	973.2
108"	120.0	1125.0	105.4	1186.0	90.4	1186.0	79.1	1186.0	70.3	1186.0	63.3	1186.0	57.5	1186.0	52.7	1186.0	48.7	1186.0	45.2	1186.0	38.2	1074.4	32.2	966.0
96"	120.0	1000.0	120.0	1200.0	120.0	1400.0	105.5	1406.8	93.8	1406.8	84.4	1406.8	76.7	1406.8	67.3	1346.0	55.2	1196.0	45.7	1066.3	38.2	955.0	32.2	858.7
84"	120.0	875.0	120.0	1050.0	120.0	1225.0	120.0	1400.0	120.0	1575.0	104.2	1519.6	83.1	1333.1	67.3	1177.8	55.2	1046.5	45.7	933.0	38.2	835.6	32.2	751.3
72"	120.0	750.0	120.0	900.0	120.0	1050.0	120.0	1200.0	120.0	1350.0	104.2	1302.5	83.1	1142.6	67.3	1009.5	55.2	897.0	45.7	799.8	38.2	716.3	32.2	644.0
60"	120.0	625.0	120.0	750.0	120.0	875.0	120.0	1000.0	120.0	1125.0	104.2	1085.4	83.1	952.2	67.3	841.3	55.2	747.5	45.7	666.5	38.2	596.9	32.2	536.7
48"	120.0	500.0	120.0	600.0	120.0	700.0	120.0	800.0	120.0	900.0	104.2	868.3	83.1	761.8	67.3	673.0	55.2	598.0	45.7	533.2	38.2	477.5	32.2	429.3
36"	120.0	375.0	120.0	450.0	120.0	525.0	120.0	600.0	120.0	675.0	104.2	651.3	83.1	571.3	67.3	504.8	55.2	448.5	45.7	399.9	38.2	358.1	32.2	322.0

STORM BAR AND MULLION SCHEDULE: 2"x5"x1/8" WITH 1.75"x4.75"x0.125" STEEL REINFORCEMENT*

MEMBER LENGTH	SLAT SPAN																							
	25"		30"		35"		40"		45"		50"		55"		60"		65"		70"		75"		80"	
	DESIGN PRESSURE (PSF)	REACTION AT ENDS (LBS)	DESIGN PRESSURE (PSF)	REACTION AT ENDS (LBS)	DESIGN PRESSURE (PSF)	REACTION AT ENDS (LBS)	DESIGN PRESSURE (PSF)	REACTION AT ENDS (LBS)	DESIGN PRESSURE (PSF)	REACTION AT ENDS (LBS)	DESIGN PRESSURE (PSF)	REACTION AT ENDS (LBS)	DESIGN PRESSURE (PSF)	REACTION AT ENDS (LBS)	DESIGN PRESSURE (PSF)	REACTION AT ENDS (LBS)	DESIGN PRESSURE (PSF)	REACTION AT ENDS (LBS)	DESIGN PRESSURE (PSF)	REACTION AT ENDS (LBS)	DESIGN PRESSURE (PSF)	REACTION AT ENDS (LBS)	DESIGN PRESSURE (PSF)	REACTION AT ENDS (LBS)
120"	120.0	1250.0	106.2	1327.6	91.0	1327.6	79.7	1327.6	70.8	1327.6	63.7	1327.6	57.9	1327.6	53.1	1327.6	49.0	1327.6	45.5	1327.6	38.2	1193.8	32.2	1073.3
108"	120.0	1125.0	120.0	1350.0	116.9	1534.7	102.3	1534.7	90.9	1534.7	81.9	1534.7	74.4	1534.7	67.3	1514.3	55.2	1345.5	45.7	1199.6	38.2	1074.4	32.2	966.0
96"	120.0	1000.0	120.0	1200.0	120.0	1400.0	120.0	1600.0	120.0	1800.0	104.2	1736.7	83.1	1523.5	67.3	1346.0	55.2	1196.0	45.7	1066.3	38.2	955.0	32.2	858.7
84"	120.0	875.0	120.0	1050.0	120.0	1225.0	120.0	1400.0	120.0	1575.0	104.2	1519.6	83.1	1333.1	67.3	1177.8	55.2	1046.5	45.7	933.0	38.2	835.6	32.2	751.3
72"	120.0	750.0	120.0	900.0	120.0	1050.0	120.0	1200.0	120.0	1350.0	104.2	1302.5	83.1	1142.6	67.3	1009.5	55.2	897.0	45.7	799.8	38.2	716.3	32.2	644.0
60"	120.0	625.0	120.0	750.0	120.0	875.0	120.0	1000.0	120.0	1125.0	104.2	1085.4	83.1	952.2	67.3	841.3	55.2	747.5	45.7	666.5	38.2	596.9	32.2	536.7
48"	120.0	500.0	120.0	600.0	120.0	700.0	120.0	800.0	120.0	900.0	104.2	868.3	83.1	761.8	67.3	673.0	55.2	598.0	45.7	533.2	38.2	477.5	32.2	429.3
36"	120.0	375.0	120.0	450.0	120.0	525.0	120.0	600.0	120.0	675.0	104.2	651.3	83.1	571.3	67.3	504.8	55.2	448.5	45.7	399.9	38.2	358.1	32.2	322.0

***NOTE:** STEEL REINFORCEMENT LENGTH SHALL BE A MINIMUM OF 90% THE MULLION LENGTH, LOCATED AT THE CENTER OF THE MULLION AND FASTENED IN PLACE WITH #14 18-8 SS OR COATED SAE GR. 5 STEEL SMS OR SDS AT 12" O.C. MAX STAGGERED ALONG THE FULL REINFORCEMENT LENGTH. (REFERENCE STEEL REINFORCEMENT DETAIL 1/2)

SEE SHEET 7 FOR STORM BAR AND MULLION SCHEDULE NOTES.

FRANK BENNARDO, PE
PE# 0046549 CA#9885



ENGINEERING EXPRESS
CORPORATE OFFICE:
160 SW 12th AVE, SUITE 106
DEERFIELD BEACH, FL 33442
(954) 354-0660 | (866) 396-9999
TEAM@ENGINEERINGEXPRESS.COM
ENGINEERINGEXPRESS.COM

Town & Country INDUSTRIES
Wholesale Aluminum and Building Products
A Division of ABC Supply Co., Inc.
400 WEST MCNAB ROAD
FT. LAUDERDALE, FL 33309
FL14235.2

REMARKS	DRWN	CHKD	DATE
INIT ISSUE	KL	FLB	4/25/14
REV FOR TDI	RWN	TSB	6/04/14
2014 FBC	RWN	CSL	4/08/15
2017 FBC	RWN	FLB	8/07/17
2020 FBC	CCB	RWN	6/30/20

THIS DOCUMENT IS THE PROPERTY OF FRANK L. BENNARDO, P.E. AND SHALL NOT BE REPRODUCED IN WHOLE OR PART WITHOUT WRITTEN CONSENT OF FRANK L. BENNARDO, P.E. - ALTERATIONS, ADDITIONS, HIGHLIGHTING OR OTHER MARKINGS TO THIS DOCUMENT ARE NOT PERMITTED AND INVALIDATE OUR CERTIFICATION.

COPYRIGHT FRANK L. BENNARDO P.E.

20-26184b

SCALE: -
PAGE DESCRIPTION:

STORM BAR AND MULLION SCHEDULE: 2"x6"x1/8" WITH 1.75"x5.75"x0.125" STEEL REINFORCEMENT*

MEMBER LENGTH	SLAT SPAN																							
	25"		30"		35"		40"		45"		50"		55"		60"		65"		70"		75"		80"	
	DESIGN PRESSURE (PSF)	REACTION AT ENDS (LBS)	DESIGN PRESSURE (PSF)	REACTION AT ENDS (LBS)	DESIGN PRESSURE (PSF)	REACTION AT ENDS (LBS)	DESIGN PRESSURE (PSF)	REACTION AT ENDS (LBS)	DESIGN PRESSURE (PSF)	REACTION AT ENDS (LBS)	DESIGN PRESSURE (PSF)	REACTION AT ENDS (LBS)	DESIGN PRESSURE (PSF)	REACTION AT ENDS (LBS)	DESIGN PRESSURE (PSF)	REACTION AT ENDS (LBS)	DESIGN PRESSURE (PSF)	REACTION AT ENDS (LBS)	DESIGN PRESSURE (PSF)	REACTION AT ENDS (LBS)	DESIGN PRESSURE (PSF)	REACTION AT ENDS (LBS)	DESIGN PRESSURE (PSF)	REACTION AT ENDS (LBS)
120"	120.0	1250.0	120.0	1500.0	115.0	1676.7	100.6	1676.7	89.4	1676.7	80.5	1676.7	73.2	1676.7	67.1	1676.7	55.2	1495.0	45.7	1332.9	38.2	1193.8	32.2	1073.3
108"	120.0	1125.0	120.0	1350.0	120.0	1575.0	120.0	1800.0	114.6	1934.0	103.1	1934.0	83.1	1713.9	67.3	1514.3	55.2	1345.5	45.7	1199.6	38.2	1074.4	32.2	966.0
96"	120.0	1000.0	120.0	1200.0	120.0	1400.0	120.0	1600.0	120.0	1800.0	104.2	1736.7	83.1	1523.5	67.3	1346.0	55.2	1196.0	45.7	1066.3	38.2	955.0	32.2	858.7
84"	120.0	875.0	120.0	1050.0	120.0	1225.0	120.0	1400.0	120.0	1575.0	104.2	1519.6	83.1	1333.1	67.3	1177.8	55.2	1046.5	45.7	933.0	38.2	835.6	32.2	751.3
72"	120.0	750.0	120.0	900.0	120.0	1050.0	120.0	1200.0	120.0	1350.0	104.2	1302.5	83.1	1142.6	67.3	1009.5	55.2	897.0	45.7	799.8	38.2	716.3	32.2	644.0
60"	120.0	625.0	120.0	750.0	120.0	875.0	120.0	1000.0	120.0	1125.0	104.2	1085.4	83.1	952.2	67.3	841.3	55.2	747.5	45.7	666.5	38.2	596.9	32.2	536.7
48"	120.0	500.0	120.0	600.0	120.0	700.0	120.0	800.0	120.0	900.0	104.2	868.3	83.1	761.8	67.3	673.0	55.2	598.0	45.7	533.2	38.2	477.5	32.2	429.3


STORM BAR AND MULLION SCHEDULE: 3"x3"x1/8" WITH 2.75"x2.75"x0.125" STEEL REINFORCEMENT*

MEMBER LENGTH	SLAT SPAN																							
	25"		30"		35"		40"		45"		50"		55"		60"		65"		70"		75"		80"	
	DESIGN PRESSURE (PSF)	REACTION AT ENDS (LBS)	DESIGN PRESSURE (PSF)	REACTION AT ENDS (LBS)	DESIGN PRESSURE (PSF)	REACTION AT ENDS (LBS)	DESIGN PRESSURE (PSF)	REACTION AT ENDS (LBS)	DESIGN PRESSURE (PSF)	REACTION AT ENDS (LBS)	DESIGN PRESSURE (PSF)	REACTION AT ENDS (LBS)	DESIGN PRESSURE (PSF)	REACTION AT ENDS (LBS)	DESIGN PRESSURE (PSF)	REACTION AT ENDS (LBS)	DESIGN PRESSURE (PSF)	REACTION AT ENDS (LBS)	DESIGN PRESSURE (PSF)	REACTION AT ENDS (LBS)	DESIGN PRESSURE (PSF)	REACTION AT ENDS (LBS)	DESIGN PRESSURE (PSF)	REACTION AT ENDS (LBS)
120"	64.2	668.4	53.5	668.4	45.8	668.4	40.1	668.4	35.6	668.4	32.1	668.4	29.2	668.4	26.7	668.4	24.7	668.4	22.9	668.4	21.4	668.4	20.1	668.4
108"	88.0	825.2	73.3	825.2	62.9	825.2	55.0	825.2	48.9	825.2	44.0	825.2	40.0	825.2	36.7	825.2	33.9	825.2	31.4	825.2	29.3	825.2	27.5	825.2
96"	120.0	1000.0	104.4	1044.4	89.5	1044.4	78.3	1044.4	69.6	1044.4	62.7	1044.4	57.0	1044.4	52.2	1044.4	48.2	1044.4	44.8	1044.4	38.2	955.0	32.2	858.7
84"	120.0	875.0	120.0	1050.0	120.0	1225.0	116.9	1364.1	103.9	1364.1	93.5	1364.1	83.1	1333.1	67.3	1177.8	55.2	1046.5	45.7	933.0	38.2	835.6	32.2	751.3
72"	120.0	750.0	120.0	900.0	120.0	1050.0	120.0	1200.0	120.0	1350.0	104.2	1302.5	83.1	1142.6	67.3	1009.5	55.2	897.0	45.7	799.8	38.2	716.3	32.2	644.0
60"	120.0	625.0	120.0	750.0	120.0	875.0	120.0	1000.0	120.0	1125.0	104.2	1085.4	83.1	952.2	67.3	841.3	55.2	747.5	45.7	666.5	38.2	596.9	32.2	536.7
48"	120.0	500.0	120.0	600.0	120.0	700.0	120.0	800.0	120.0	900.0	104.2	868.3	83.1	761.8	67.3	673.0	55.2	598.0	45.7	533.2	38.2	477.5	32.2	429.3

STORM BAR AND MULLION SCHEDULE: 4"x4"x1/8" WITH 3.75"x3.75"x0.125" STEEL REINFORCEMENT*

MEMBER LENGTH	SLAT SPAN																							
	25"		30"		35"		40"		45"		50"		55"		60"		65"		70"		75"		80"	
	DESIGN PRESSURE (PSF)	REACTION AT ENDS (LBS)	DESIGN PRESSURE (PSF)	REACTION AT ENDS (LBS)	DESIGN PRESSURE (PSF)	REACTION AT ENDS (LBS)	DESIGN PRESSURE (PSF)	REACTION AT ENDS (LBS)	DESIGN PRESSURE (PSF)	REACTION AT ENDS (LBS)	DESIGN PRESSURE (PSF)	REACTION AT ENDS (LBS)	DESIGN PRESSURE (PSF)	REACTION AT ENDS (LBS)	DESIGN PRESSURE (PSF)	REACTION AT ENDS (LBS)	DESIGN PRESSURE (PSF)	REACTION AT ENDS (LBS)	DESIGN PRESSURE (PSF)	REACTION AT ENDS (LBS)	DESIGN PRESSURE (PSF)	REACTION AT ENDS (LBS)	DESIGN PRESSURE (PSF)	REACTION AT ENDS (LBS)
120"	120.0	1250.0	120.0	1500.0	115.4	1682.8	101.0	1682.8	89.7	1682.8	80.8	1682.8	73.4	1682.8	67.3	1682.5	55.2	1495.0	45.7	1332.9	38.2	1193.8	32.2	1073.3
108"	120.0	1125.0	120.0	1350.0	120.0	1575.0	120.0	1800.0	120.0	2025.0	104.2	1953.8	83.1	1713.9	67.3	1514.3	55.2	1345.5	45.7	1199.6	38.2	1074.4	32.2	966.0
96"	120.0	1000.0	120.0	1200.0	120.0	1400.0	120.0	1600.0	120.0	1800.0	104.2	1736.7	83.1	1523.5	67.3	1346.0	55.2	1196.0	45.7	1066.3	38.2	955.0	32.2	858.7
84"	120.0	875.0	120.0	1050.0	120.0	1225.0	120.0	1400.0	120.0	1575.0	104.2	1519.6	83.1	1333.1	67.3	1177.8	55.2	1046.5	45.7	933.0	38.2	835.6	32.2	751.3
72"	120.0	750.0	120.0	900.0	120.0	1050.0	120.0	1200.0	120.0	1350.0	104.2	1302.5	83.1	1142.6	67.3	1009.5	55.2	897.0	45.7	799.8	38.2	716.3	32.2	644.0
60"	120.0	625.0	120.0	750.0	120.0	875.0	120.0	1000.0	120.0	1125.0	104.2	1085.4	83.1	952.2	67.3	841.3	55.2	747.5	45.7	666.5	38.2	596.9	32.2	536.7
48"	120.0	500.0	120.0	600.0	120.0	700.0	120.0	800.0	120.0	900.0	104.2	868.3	83.1	761.8	67.3	673.0	55.2	598.0	45.7	533.2	38.2	477.5	32.2	429.3

STORM BAR AND MULLION SCHEDULE NOTES:

1. PRESSURES SHOWN IN "STORM BAR AND MULLION SCHEDULE" ARE MAXIMUM ALLOWABLE POSITIVE AND NEGATIVE DESIGN PRESSURES AT EACH RESPECTIVE SLAT SPAN AND STORM BAR/MULLION HEIGHT. DESIGN VALUES NOTED HEREIN WHEN USED WITH MULLIONS SHALL ONLY BE USED WITH NON-END RETENTION ROLL-UP SHUTTERS.
2. "STORM BAR AND MULLION SCHEDULES" ARE APPLICABLE TO ALL STORM BARS AND NON-END RETENTION MULLIONS.
3. SEE SHEET 2 FOR STORM BAR, MULLION, AND REINFORCEMENT DETAIL AND MATERIALS.
4. FOR END MULLIONS, ONE HALF OF THE SLAT SPAN MAY BE USED TO DETERMINE ALLOWABLE DESIGN PRESSURES AND END REACTIONS. END MULLIONS ARE AS DEFINED IN ELEVATION 2/1.
5. ALLOWABLE DESIGN PRESSURES AND SLAT SPANS INDICATED ARE FOR DETERMINING PERMISSIBLE STORM BAR AND MULLION HEIGHTS ONLY. ACTUAL SLAT SPANS AND DESIGN PRESSURES SHALL NOT EXCEED THOSE INDICATED IN SEPARATE ROLL-UP SHUTTER APPROVAL.
6. "REACTION AT ENDS" IS LISTED FOR EACH COMBINATION OF DESIGN LOAD, STORM BAR/MULLION TYPE, & SLAT SPAN. CHOOSE MOUNTING CONNECTIONS (PER APPLICABLE CONNECTION DETAILS HEREIN) THAT PROVIDES "CONNECTION CAPACITY" GREATER THAN OR EQUAL TO "REACTION AT ENDS" GIVEN ABOVE.
7. THIS SCHEDULE MAY BE USED FOR ALL MOUNTING CONDITIONS LISTED HEREIN.
8.  DENOTES CONDITIONS NOT APPROVED FOR USE.

***NOTE:** STEEL REINFORCEMENT LENGTH SHALL BE A MINIMUM OF 90% THE MULLION LENGTH, LOCATED AT THE CENTER OF THE MULLION AND FASTENED IN PLACE WITH #14 18-8 SS OR COATED SAE GR. 5 STEEL SMS OR SDS AT 12" O.C. MAX STAGGERED ALONG THE FULL REINFORCEMENT LENGTH. (REFERENCE STEEL REINFORCEMENT DETAIL 1/2)

FRANK BENNARDO, PE
PE# 0046549 CA#9885



ENGINEERING EXPRESS
CORPORATE OFFICE:
160 SW 12th AVE, SUITE 106
DEERFIELD BEACH, FL 33442
(954) 354-0660 | (866) 396-9999
TEAM@ENGINEERINGEXPRESS.COM
ENGINEERINGEXPRESS.COM

Town & Country INDUSTRIES
Wholesale Aluminum and Building Products
A Division of ABC Supply Co., Inc.
400 WEST MCNAB ROAD
FT. LAUDERDALE, FL 33309
FL14235.2

DRWN	CHKD	DATE
KL	FLB	4/25/14
RWN	TSB	6/04/14
RWN	CSL	4/08/15
RWN	FLB	8/07/17
CCB	RWN	6/30/20

REMARKS
INIT ISSUE
REV FOR TDI
2014 FBC
2017 FBC
2020 FBC

THIS DOCUMENT IS THE PROPERTY OF FRANK L. BENNARDO, P.E. AND SHALL NOT BE REPRODUCED IN WHOLE OR PART WITHOUT WRITTEN CONSENT OF FRANK L. BENNARDO, P.E. ALL ALTERATIONS, ADDITIONS, HIGHLIGHTING OR OTHER MARKINGS TO THIS DOCUMENT ARE NOT PERMITTED AND INVALIDATE OUR CERTIFICATION.

COPYRIGHT FRANK L. BENNARDO P.E.

20-26184b

SCALE: -

PAGE DESCRIPTION:

HEADER SCHEDULE: 2"x4"x1/8" HEADER

HEADER LENGTH	STORM BAR HEIGHT																								
	60"		72"		84"		96"		108"		120"		132"		144"		156"		168"		180"		192"		
	DESIGN PRESSURE (PSF)	REACTION AT ENDS (LBS)	DESIGN PRESSURE (PSF)	REACTION AT ENDS (LBS)	DESIGN PRESSURE (PSF)	REACTION AT ENDS (LBS)	DESIGN PRESSURE (PSF)	REACTION AT ENDS (LBS)	DESIGN PRESSURE (PSF)	REACTION AT ENDS (LBS)	DESIGN PRESSURE (PSF)	REACTION AT ENDS (LBS)	DESIGN PRESSURE (PSF)	REACTION AT ENDS (LBS)	DESIGN PRESSURE (PSF)	REACTION AT ENDS (LBS)	DESIGN PRESSURE (PSF)	REACTION AT ENDS (LBS)	DESIGN PRESSURE (PSF)	REACTION AT ENDS (LBS)	DESIGN PRESSURE (PSF)	REACTION AT ENDS (LBS)	DESIGN PRESSURE (PSF)	REACTION AT ENDS (LBS)	
120"	39.2	326.7	32.7	326.7	28.0	326.7																			
108"	53.8	403.4	44.8	403.4	38.4	403.4	33.6	403.4	29.9	403.4	26.9	403.4													
96"	76.6	510.5	63.8	510.5	54.7	510.5	47.9	510.5	42.5	510.5	38.3	510.5	34.8	510.5	31.9	510.5	29.5	510.5	27.3	510.5	25.5	510.5			
84"	114.3	666.8	95.3	666.8	81.7	666.8	71.4	666.8	63.5	666.8	57.2	666.8	52.0	666.8	47.6	666.8	44.0	666.8	40.8	666.8	38.1	666.8	35.7	666.8	
72"	120.0	600.0	120.0	720.0	118.7	831.0	103.9	831.0	92.3	831.0	83.1	831.0	75.5	831.0	69.3	831.0	63.9	831.0	59.4	831.0	55.4	831.0	51.9	831.0	
60"	120.0	500.0	120.0	600.0	120.0	700.0	120.0	800.0	120.0	900.0	120.0	1000.0	109.3	1002.1	100.2	1002.1	92.5	1002.1	85.9	1002.1	80.2	1002.1	75.2	1002.1	
48"	120.0	400.0	120.0	480.0	120.0	560.0	120.0	640.0	120.0	720.0	120.0	800.0	120.0	880.0	120.0	960.0	120.0	1040.0	120.0	1120.0	120.0	1200.0	117.4	1252.6	
36"	120.0	300.0	120.0	360.0	120.0	420.0	120.0	480.0	120.0	540.0	120.0	600.0	120.0	660.0	120.0	720.0	120.0	780.0	120.0	840.0	120.0	900.0	120.0	960.0	

HEADER SCHEDULE: 2"x4"x1/4" HEADER

HEADER LENGTH	STORM BAR HEIGHT																								
	60"		76"		92"		108"		124"		140"		156"		172"		188"		204"		220"		228"		
	DESIGN PRESSURE (PSF)	REACTION AT ENDS (LBS)	DESIGN PRESSURE (PSF)	REACTION AT ENDS (LBS)	DESIGN PRESSURE (PSF)	REACTION AT ENDS (LBS)	DESIGN PRESSURE (PSF)	REACTION AT ENDS (LBS)	DESIGN PRESSURE (PSF)	REACTION AT ENDS (LBS)	DESIGN PRESSURE (PSF)	REACTION AT ENDS (LBS)	DESIGN PRESSURE (PSF)	REACTION AT ENDS (LBS)	DESIGN PRESSURE (PSF)	REACTION AT ENDS (LBS)	DESIGN PRESSURE (PSF)	REACTION AT ENDS (LBS)	DESIGN PRESSURE (PSF)	REACTION AT ENDS (LBS)	DESIGN PRESSURE (PSF)	REACTION AT ENDS (LBS)	DESIGN PRESSURE (PSF)	REACTION AT ENDS (LBS)	
120"	69.9	582.6	55.2	582.6	45.6	582.6	38.8	582.6	33.8	582.6	30.0	582.6	26.9	582.6											
108"	95.9	719.3	75.7	719.3	62.5	719.3	53.3	719.3	46.4	719.3	41.1	719.3	36.9	719.3	33.5	719.3	30.6	719.3	28.2	719.3	26.2	719.3	25.2	719.3	
96"	120.0	800.0	107.8	910.4	89.1	910.4	75.9	910.4	66.1	910.4	58.5	910.4	52.5	910.4	47.6	910.4	43.6	910.4	40.2	910.4	37.2	910.4	35.9	910.4	
84"	120.0	700.0	120.0	886.7	120.0	1073.3	113.2	1189.1	98.6	1189.1	87.4	1189.1	78.4	1189.1	71.1	1189.1	65.1	1189.1	60.0	1189.1	55.6	1189.1	53.6	1189.1	
72"	120.0	600.0	120.0	760.0	120.0	920.0	120.0	1080.0	120.0	1240.0	120.0	1400.0	120.0	1560.0	112.9	1618.5	103.3	1618.5	95.2	1618.5	88.3	1618.5	85.2	1618.5	
60"	120.0	500.0	120.0	633.3	120.0	766.7	120.0	900.0	120.0	1033.3	120.0	1166.7	120.0	1300.0	120.0	1433.3	120.0	1566.7	120.0	1700.0	120.0	1833.3	120.0	1900.0	
48"	120.0	400.0	120.0	506.7	120.0	613.3	120.0	720.0	120.0	826.7	120.0	933.3	120.0	1040.0	120.0	1146.7	120.0	1253.3	120.0	1360.0	120.0	1466.7	120.0	1520.0	
36"	120.0	300.0	120.0	380.0	120.0	460.0	120.0	540.0	120.0	620.0	120.0	700.0	120.0	780.0	120.0	860.0	120.0	940.0	120.0	1020.0	120.0	1100.0	120.0	1140.0	

HEADER SCHEDULE: 2"x5"x1/8" HEADER

HEADER LENGTH	STORM BAR HEIGHT																								
	60"		72"		84"		96"		108"		120"		132"		144"		156"		168"		180"		192"		
	DESIGN PRESSURE (PSF)	REACTION AT ENDS (LBS)	DESIGN PRESSURE (PSF)	REACTION AT ENDS (LBS)	DESIGN PRESSURE (PSF)	REACTION AT ENDS (LBS)	DESIGN PRESSURE (PSF)	REACTION AT ENDS (LBS)	DESIGN PRESSURE (PSF)	REACTION AT ENDS (LBS)	DESIGN PRESSURE (PSF)	REACTION AT ENDS (LBS)	DESIGN PRESSURE (PSF)	REACTION AT ENDS (LBS)	DESIGN PRESSURE (PSF)	REACTION AT ENDS (LBS)	DESIGN PRESSURE (PSF)	REACTION AT ENDS (LBS)	DESIGN PRESSURE (PSF)	REACTION AT ENDS (LBS)	DESIGN PRESSURE (PSF)	REACTION AT ENDS (LBS)	DESIGN PRESSURE (PSF)	REACTION AT ENDS (LBS)	
84"	120.0	700.0	120.0	840.0	120.0	980.0	105.2	982.3	93.6	982.3	84.2	982.3	76.5	982.3	70.2	982.3	64.8	982.3	60.1	982.3	56.1	982.3	52.6	982.3	
72"	120.0	600.0	120.0	720.0	120.0	840.0	120.0	960.0	120.0	1080.0	115.7	1156.8	105.2	1156.8	96.4	1156.8	89.0	1156.8	82.6	1156.8	77.1	1156.8	72.3	1156.8	
60"	120.0	500.0	120.0	600.0	120.0	700.0	120.0	800.0	120.0	900.0	120.0	1000.0	120.0	1100.0	120.0	1200.0	120.0	1300.0	120.0	1400.0	112.1	1401.8	105.1	1401.8	
48"	120.0	400.0	120.0	480.0	120.0	560.0	120.0	640.0	120.0	720.0	120.0	800.0	120.0	880.0	120.0	960.0	120.0	1040.0	120.0	1120.0	120.0	1200.0	120.0	1280.0	
36"	120.0	300.0	120.0	360.0	120.0	420.0	120.0	480.0	120.0	540.0	120.0	600.0	120.0	660.0	120.0	720.0	120.0	780.0	120.0	840.0	120.0	900.0	120.0	960.0	

HEADER SCHEDULE: 2"x5"x1/4" HEADER

HEADER LENGTH	STORM BAR HEIGHT																								
	60"		76"		92"		108"		124"		140"		156"		172"		188"		204"		220"		228"		
	DESIGN PRESSURE (PSF)	REACTION AT ENDS (LBS)	DESIGN PRESSURE (PSF)	REACTION AT ENDS (LBS)	DESIGN PRESSURE (PSF)	REACTION AT ENDS (LBS)	DESIGN PRESSURE (PSF)	REACTION AT ENDS (LBS)	DESIGN PRESSURE (PSF)	REACTION AT ENDS (LBS)	DESIGN PRESSURE (PSF)	REACTION AT ENDS (LBS)	DESIGN PRESSURE (PSF)	REACTION AT ENDS (LBS)	DESIGN PRESSURE (PSF)	REACTION AT ENDS (LBS)	DESIGN PRESSURE (PSF)	REACTION AT ENDS (LBS)	DESIGN PRESSURE (PSF)	REACTION AT ENDS (LBS)	DESIGN PRESSURE (PSF)	REACTION AT ENDS (LBS)	DESIGN PRESSURE (PSF)	REACTION AT ENDS (LBS)	
120"	120.0	1000.0	98.2	1036.6	81.1	1036.6	69.1	1036.6	60.2	1036.6	53.3	1036.6	47.8	1036.6	43.4	1036.6	39.7	1036.6	36.6	1036.6	33.9	1036.6	32.7	1036.6	
108"	120.0	900.0	120.0	1140.0	111.3	1279.8	94.8	1279.8	82.6	1279.8	73.1	1279.8	65.6	1279.8	59.5	1279.8	54.5	1279.8	50.2	1279.8	46.5	1279.8	44.9	1279.8	
96"	120.0	800.0	120.0	1013.3	120.0	1226.7	120.0	1440.0	117.6	1619.8	104.1	1619.8	93.4	1619.8	84.8	1619.8	77.5	1619.8	71.5	1619.8	66.3	1619.8	63.9	1619.8	
84"	120.0	700.0	120.0	886.7	120.0	1073.3	120.0	1260.0	120.0	1446.7	120.0	1633.3	120.0	1820.0	120.0	2006.7	115.7	2115.6	106.7	2115.6	98.9	2115.6	95.4	2115.6	
72"	120.0	600.0	120.0	760.0	120.0	920.0	120.0	1080.0	120.0	1240.0	120.0	1400.0	120.0	1560.0	120.0	1720.0	120.0	1880.0	120.0	2040.0	120.0	2200.0	120.0	2280.0	
60"	120.0	500.0	120.0	633.3	120.0	766.7	120.0	900.0	120.0	1033.3	120.0	1166.7	120.0	1300.0	120.0	1433.3	120.0	1566.7	120.0	1700.0	120.0	1833.3	120.0	1900.0	
48"	120.0	400.0	120.0	506.7	120.0	613.3	120.0	720.0	120.0	826.7	120.0	933.3	120.0	1040.0	120.0	1146.7	120.0	1253.3	120.0	1360.0	120.0	1466.7	120.0	1520.0	
36"	120.0	300.0	120.0	380.0	120.0	460.0	120.0	540.0	120.0	620.0	120.0	700.0	120.0	780.0	120.0	860.0	120.0	940.0	120.0	1020.0	120.0	1100.0	120.0	1140.0	

FRANK BENNARDO, PE
PE# 0046549 CA#9885



ENGINEERING EXPRESS
CORPORATE OFFICE:
160 SW 12th AVE, SUITE 106
DEERFIELD BEACH, FL 33442
(954) 354-0660 | (866) 396-9999
TEAM@ENGINEERINGEXPRESS.COM
ENGINEERINGEXPRESS.COM

Town & Country INDUSTRIES
Wholesale Aluminum and Building Products
A Division of ABC Supply Co., Inc.
400 WEST MCNAB ROAD
FT. LAUDERDALE, FL 33309
FL14235.2

REMARKS	DRWN	CHKD	DATE
INIT ISSUE	KL	FLB	4/25/14
REV FOR TDI	RWN	TSB	6/04/14
2014 FBC	RWN	CSL	4/08/15
2017 FBC	RWN	FLB	8/07/17
2020 FBC	CCB	RWN	6/30/20

THIS DOCUMENT IS THE PROPERTY OF FRANK L. BENNARDO, PE AND SHALL NOT BE REPRODUCED IN WHOLE OR PART WITHOUT WRITTEN CONSENT OF FRANK L. BENNARDO, PE. ALTERATIONS, ADDITIONS, HIGHLIGHTING OR OTHER MARKINGS TO THIS DOCUMENT ARE NOT PERMITTED AND INVALIDATE OUR CERTIFICATION.

COPYRIGHT FRANK L. BENNARDO P.E.

20-26184b

SCALE: -


PAGE DESCRIPTION:

SEE SHEET 12 FOR
HEADER SCHEDULE NOTES.

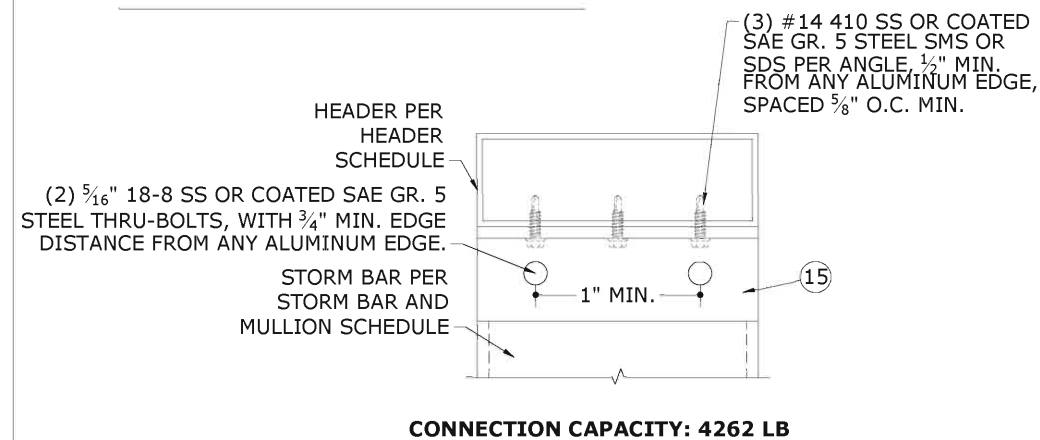
HEADER SCHEDULE: 2"x6"x1/8" WITH 1.75"x5.75"x0.125" STEEL REINFORCEMENT*

HEADER LENGTH	60"		76"		92"		108"		124"		140"		156"		172"		188"		204"		220"		228"	
	DESIGN PRESSURE (PSF)	REACTION AT ENDS (LBS)	DESIGN PRESSURE (PSF)	REACTION AT ENDS (LBS)	DESIGN PRESSURE (PSF)	REACTION AT ENDS (LBS)	DESIGN PRESSURE (PSF)	REACTION AT ENDS (LBS)	DESIGN PRESSURE (PSF)	REACTION AT ENDS (LBS)	DESIGN PRESSURE (PSF)	REACTION AT ENDS (LBS)	DESIGN PRESSURE (PSF)	REACTION AT ENDS (LBS)	DESIGN PRESSURE (PSF)	REACTION AT ENDS (LBS)	DESIGN PRESSURE (PSF)	REACTION AT ENDS (LBS)	DESIGN PRESSURE (PSF)	REACTION AT ENDS (LBS)	DESIGN PRESSURE (PSF)	REACTION AT ENDS (LBS)	DESIGN PRESSURE (PSF)	REACTION AT ENDS (LBS)
120"	120.0	1000.0	105.9	1117.5	87.5	1117.5	74.5	1117.5	64.9	1117.5	57.5	1117.5	51.6	1117.5	46.8	1117.5	42.8	1117.5	39.4	1117.5	36.6	1117.5	35.3	1117.5
108"	120.0	900.0	120.0	1140.0	112.1	1289.4	95.5	1289.4	83.2	1289.4	73.7	1289.4	66.1	1289.4	60.0	1289.4	54.9	1289.4	50.6	1289.4	46.9	1289.4	45.2	1289.4
96"	120.0	800.0	120.0	1013.3	120.0	1226.7	120.0	1440.0	110.3	1519.8	97.7	1519.8	87.7	1519.8	79.5	1519.8	72.8	1519.8	67.0	1519.8	62.2	1519.8	60.0	1519.8
84"	120.0	700.0	120.0	886.7	120.0	1073.3	120.0	1260.0	120.0	1446.7	120.0	1633.3	120.0	1820.0	110.3	1844.9	100.9	1844.9	93.0	1844.9	86.3	1844.9	83.2	1844.9
72"	120.0	600.0	120.0	760.0	120.0	920.0	120.0	1080.0	120.0	1240.0	120.0	1400.0	120.0	1560.0	120.0	1720.0	120.0	1880.0	120.0	2040.0	120.0	2200.0	120.0	2280.0
60"	120.0	500.0	120.0	633.3	120.0	766.7	120.0	900.0	120.0	1033.3	120.0	1166.7	120.0	1300.0	120.0	1433.3	120.0	1566.7	120.0	1700.0	120.0	1833.3	120.0	1900.0
48"	120.0	400.0	120.0	506.7	120.0	613.3	120.0	720.0	120.0	826.7	120.0	933.3	120.0	1040.0	120.0	1146.7	120.0	1253.3	120.0	1360.0	120.0	1466.7	120.0	1520.0
36"	120.0	300.0	120.0	380.0	120.0	460.0	120.0	540.0	120.0	620.0	120.0	700.0	120.0	780.0	120.0	860.0	120.0	940.0	120.0	1020.0	120.0	1100.0	120.0	1140.0

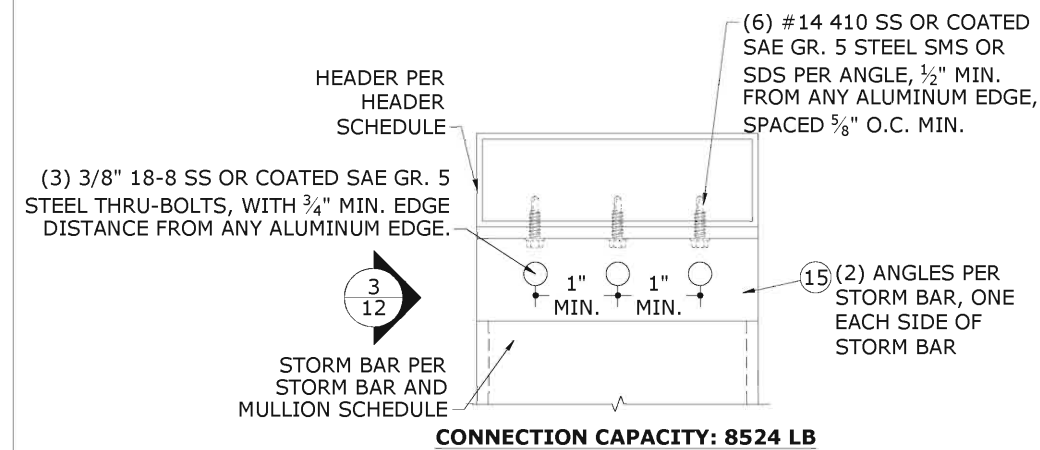
HEADER SCHEDULE NOTES:

- PRESSURES SHOWN IN "HEADER SCHEDULE" ARE MAXIMUM ALLOWABLE POSITIVE AND NEGATIVE DESIGN PRESSURES AT EACH RESPECTIVE HEADER LENGTH AND STORM BAR HEIGHT. DESIGN PRESSURES ARE APPLICABLE TO BOTH DOUBLE-SPAN AND TRIPLE-SPAN CONDITIONS.
- "HEADER SCHEDULES" ARE APPLICABLE TO ALL HEADERS.
- SEE SHEET 2 FOR HEADER AND REINFORCEMENT DETAIL AND MATERIALS.
- ALLOWABLE DESIGN PRESSURES AND STORM BAR HEIGHTS INDICATED ARE FOR DETERMINING PERMISSIBLE HEADER LENGTHS ONLY. ACTUAL STORM BAR HEIGHT AND DESIGN PRESSURES SHALL NOT EXCEED THOSE INDICATED IN "STORM BAR AND MULLION SCHEDULES" AS APPLICABLE.
- "REACTION AT ENDS" IS LISTED FOR EACH COMBINATION OF DESIGN LOAD, HEADER LENGTH, & STORM BAR HEIGHT. CHOOSE MOUNTING CONNECTIONS (PER APPLICABLE CONNECTION DETAILS HEREIN) THAT PROVIDES "CONNECTION CAPACITY" GREATER THAN OR EQUAL TO "REACTION AT ENDS" GIVEN ABOVE.
- THIS SCHEDULE MAY BE USED FOR ALL MOUNTING CONDITIONS LISTED HEREIN.
-  DENOTES CONDITIONS NOT APPROVED FOR USE.

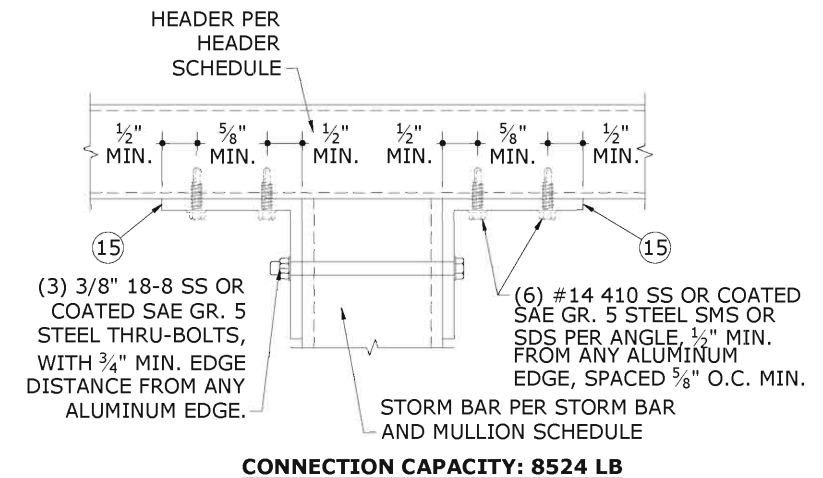
STORM BAR TO HEADER CONNECTION DETAILS



1 STORM BAR TO HEADER
12 N.T.S. VERT SECTION



2 STORM BAR TO HEADER
12 N.T.S. VERT SECTION



3 STORM BAR TO HEADER
12 N.T.S. VERT SECTION

***NOTE:** STEEL REINFORCEMENT LENGTH SHALL BE A MINIMUM OF 90% THE MULLION LENGTH, LOCATED AT THE CENTER OF THE MULLION AND FASTENED IN PLACE WITH #14 18-8 SS OR COATED SAE GR. 5 STEEL SMS OR SDS AT 12" O.C. MAX STAGGERED ALONG THE FULL REINFORCEMENT LENGTH. (REFERENCE STEEL REINFORCEMENT DETAIL 1/2)

FRANK BENNARDO, PE
PE# 0046549 CA#9885



ENGINEERING EXPRESS
CORPORATE OFFICE:
160 SW 12th AVE, SUITE 106
DEERFIELD BEACH, FL 33442
(954) 354-0660 | (866) 396-9999
TEAM@ENGINEERINGEXPRESS.COM
ENGINEERINGEXPRESS.COM

Town & Country INDUSTRIES
Wholesale Aluminum and Building Products
A Division of ABC Supply Co., Inc.

400 WEST MCNAB ROAD
FT. LAUDERDALE, FL 33309
FL14235.2

DRWN	CHKD	DATE
KL	FLB	4/25/14
RWN	TSB	6/04/14
RWN	CSL	4/08/15
RWN	FLB	8/07/17
CCB	RWN	6/30/20

REMARKS
INIT ISSUE
REV FOR TDI
2014 FBC
2017 FBC
2020 FBC

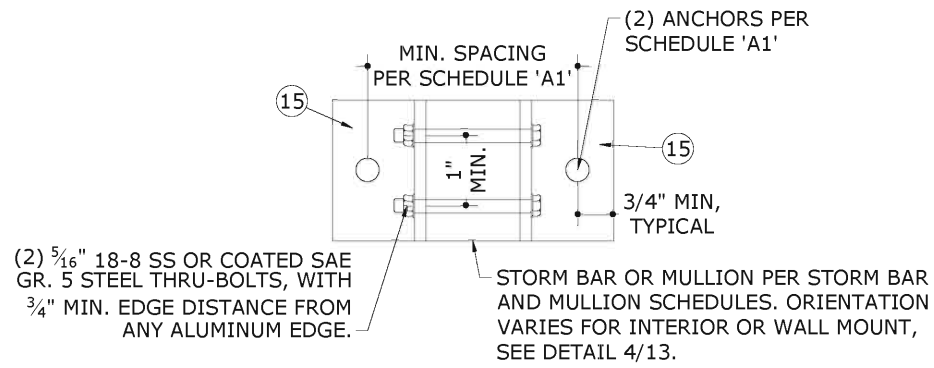
THIS DOCUMENT IS THE PROPERTY OF FRANK L. BENNARDO, PE AND SHALL NOT BE REPRODUCED IN WHOLE OR PART WITHOUT WRITTEN CONSENT OF FRANK L. BENNARDO, P.E. - ALTERATIONS, ADDITIONS, HIGHLIGHTING OR OTHER MARKINGS TO THIS DOCUMENT ARE NOT PERMITTED AND INVALIDATE OUR CERTIFICATION.

COPYRIGHT FRANK L. BENNARDO P.E.

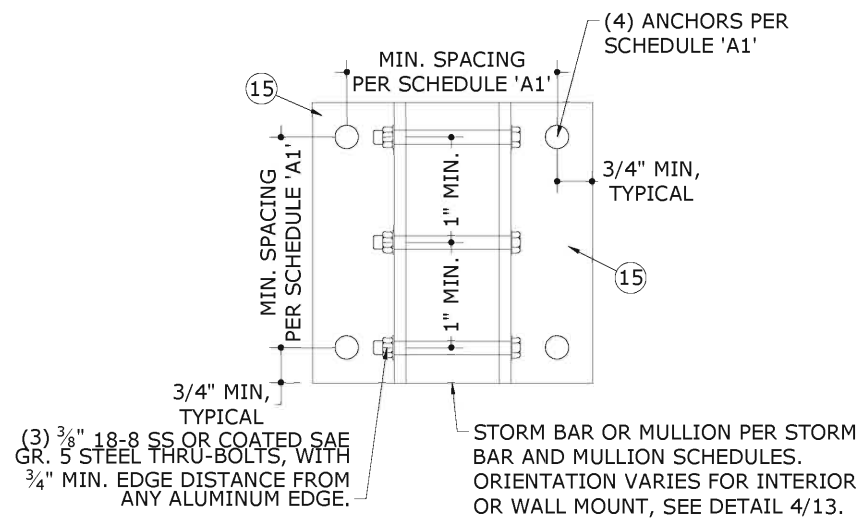
20-26184b

SCALE: -
PAGE DESCRIPTION:

STORM BAR AND MULLION CONNECTION DETAILS



1 END CONNECTION INTERIOR OR WALL MOUNT
13 N.T.S.



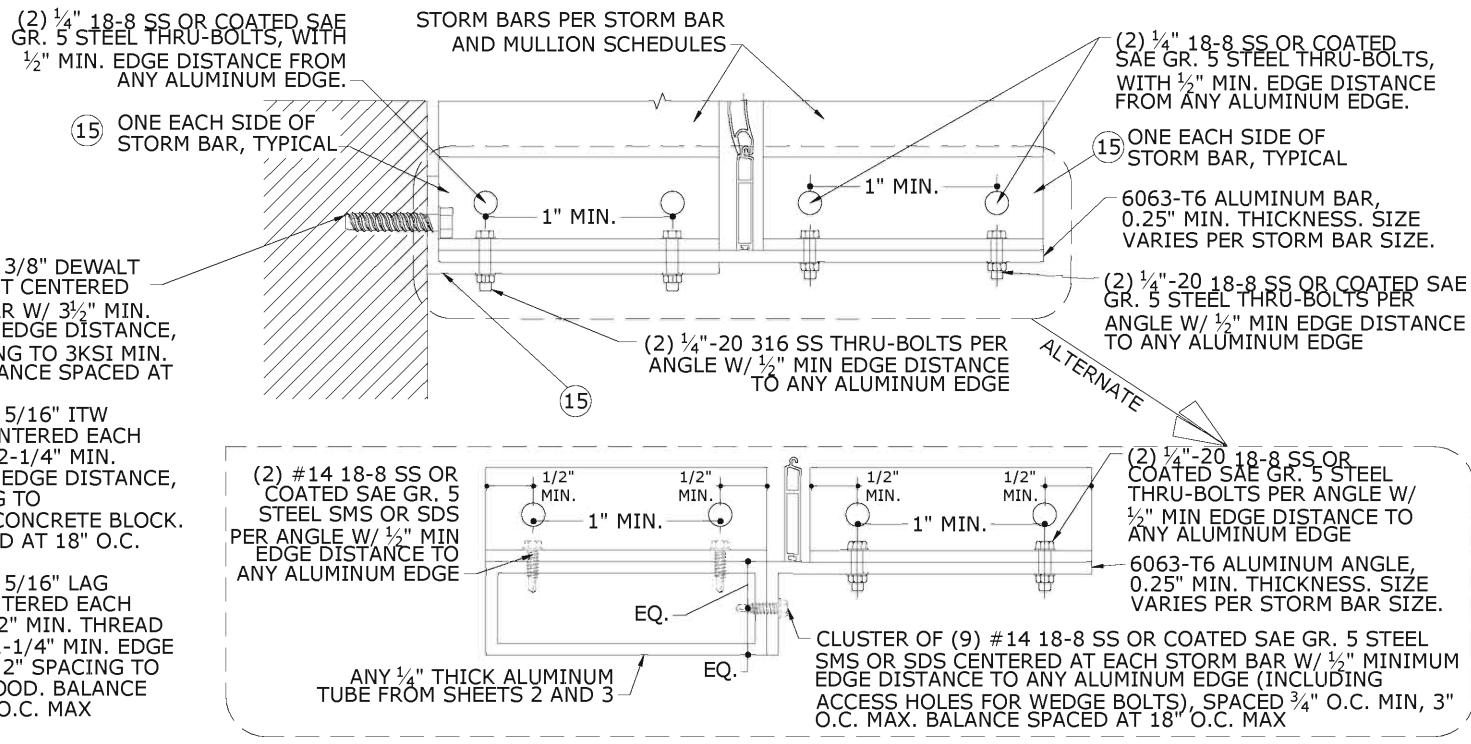
2 END CONNECTION INTERIOR OR WALL MOUNT
13 N.T.S.

ANCHOR NOTES:

- ANCHORS SHALL BE INSTALLED IN ACCORDANCE WITH MANUFACTURERS' RECOMMENDATIONS.
- MINIMUM EMBEDMENT SHALL BE AS NOTED IN ANCHOR SCHEDULE. MINIMUM EMBEDMENT AND EDGE DISTANCE EXCLUDES STUCCO, FOAM, BRICK, AND OTHER WALL FINISHES.
- ANCHOR SCHEDULE APPLIES TO ALL PRODUCTS CERTIFIED HEREIN.
- WHERE EXISTING STRUCTURE IS WOOD FRAMING, EXISTING CONDITIONS MAY VARY. FIELD VERIFY THAT FASTENERS ARE INTO ADEQUATE WOOD FRAMING MEMBERS, NOT INTO PLYWOOD.
- MACHINE SCREWS SHALL HAVE MINIMUM OF 5/8" ENGAGEMENT OF THREADS IN BASE ANCHOR AND MAY HAVE EITHER A PAN HEAD, TRUSS HEAD, OR WAFER HEAD ("SIDEWALK BOLT") U.N.O.
- * ANCHOR SHALL PENETRATE THROUGH FACE SHELL INTO GROUTED CELL.

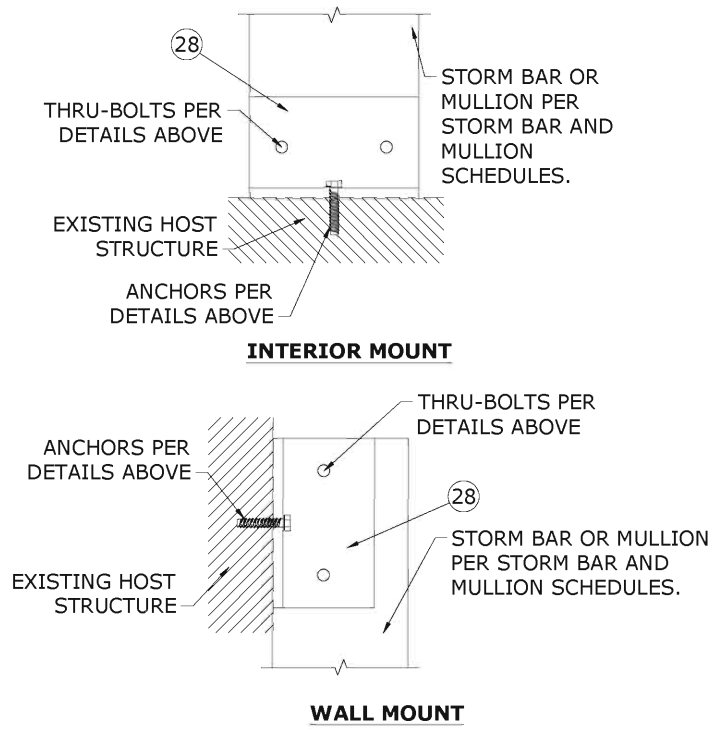
SCHEDULE 'A1'

ANCHOR TYPE	MINIMUM SPACING	MINIMUM EDGE DISTANCE	CONNECTION DETAIL	MOUNTING CONDITION	CONNECTION CAPACITY
3/8" DEWALT SCREW BOLTS W/ 3-1/2" EMBED TO 3KSI MIN. CONCRETE	4.5"	4.5"	1/13	WALL MOUNT	4332 LB
				INTERIOR MOUNT	3065 LB
3/8" DEWALT STEEL DROPIN W/ 1-9/16" EMBED TO 3KSI MIN. CONCRETE	4.5"	5.25"	1/13	WALL MOUNT	8820 LB
				INTERIOR MOUNT	6130 LB
3/8" DEWALT SCREW BOLTS W/ 3-1/2" EMBED TO GROUT-FILLED CONCRETE BLOCK*	6.0"	12.0"	1/13	WALL MOUNT	1590 LB
				INTERIOR MOUNT	2290 LB
5/16" ITW TAPCON XL OR DEWALT ULTRAACON W/ 2-1/4" MIN. EMBED TO 3.5KSI MIN. CONCRETE	5.0"	3.125"	2/13	WALL MOUNT	3180 LB
				INTERIOR MOUNT	4580 LB
5/16" ITW TAPCON XL OR DEWALT ULTRAACON W/ 2-1/4" MIN. EMBED TO GROUT-FILLED CONCRETE BLOCK	5.0"	3.125"	1/13	WALL MOUNT	2580 LB
				INTERIOR MOUNT	2200 LB
5/16" LAG SCREW W/ 2" MIN. THREAD PENETRATION TO G=0.42 MIN WOOD	2.0"	1.25"	1/13	WALL MOUNT	5160 LB
				INTERIOR MOUNT	4400 LB
				WALL MOUNT	1576 LB
				INTERIOR MOUNT	1702 LB
				WALL MOUNT	3152 LB
				INTERIOR MOUNT	3404 LB
				WALL MOUNT	584 LB
				INTERIOR MOUNT	744 LB
				WALL MOUNT	1168 LB
				INTERIOR MOUNT	1488 LB
				WALL MOUNT	1310 LB
				INTERIOR MOUNT	302 LB
				WALL MOUNT	2620 LB
				INTERIOR MOUNT	604 LB



CONNECTION CAPACITY: 2276 LB

3 STORM BAR BUILD-OUT MOUNT
13 N.T.S. VERT SECTION



4 END CONNECTION MOUNTING CONDITIONS
13 N.T.S.

FRANK BENNARDO, PE
PE# 0046549 CA#9885

ENGINEERING EXPRESS
CORPORATE OFFICE:
160 SW 12th AVE, SUITE 106
DEERFIELD BEACH, FL 33442
(954) 354-0660 | (866) 396-9999
TEAM@ENGINEERINGEXPRESS.COM
ENGINEERINGEXPRESS.COM

Town & Country
INDUSTRIES
Wholesale Aluminum and Building Products
A Division of ABC Supply Co., Inc.
400 WEST MCNAB ROAD
FT. LAUDERDALE, FL 33309
FL14235.2

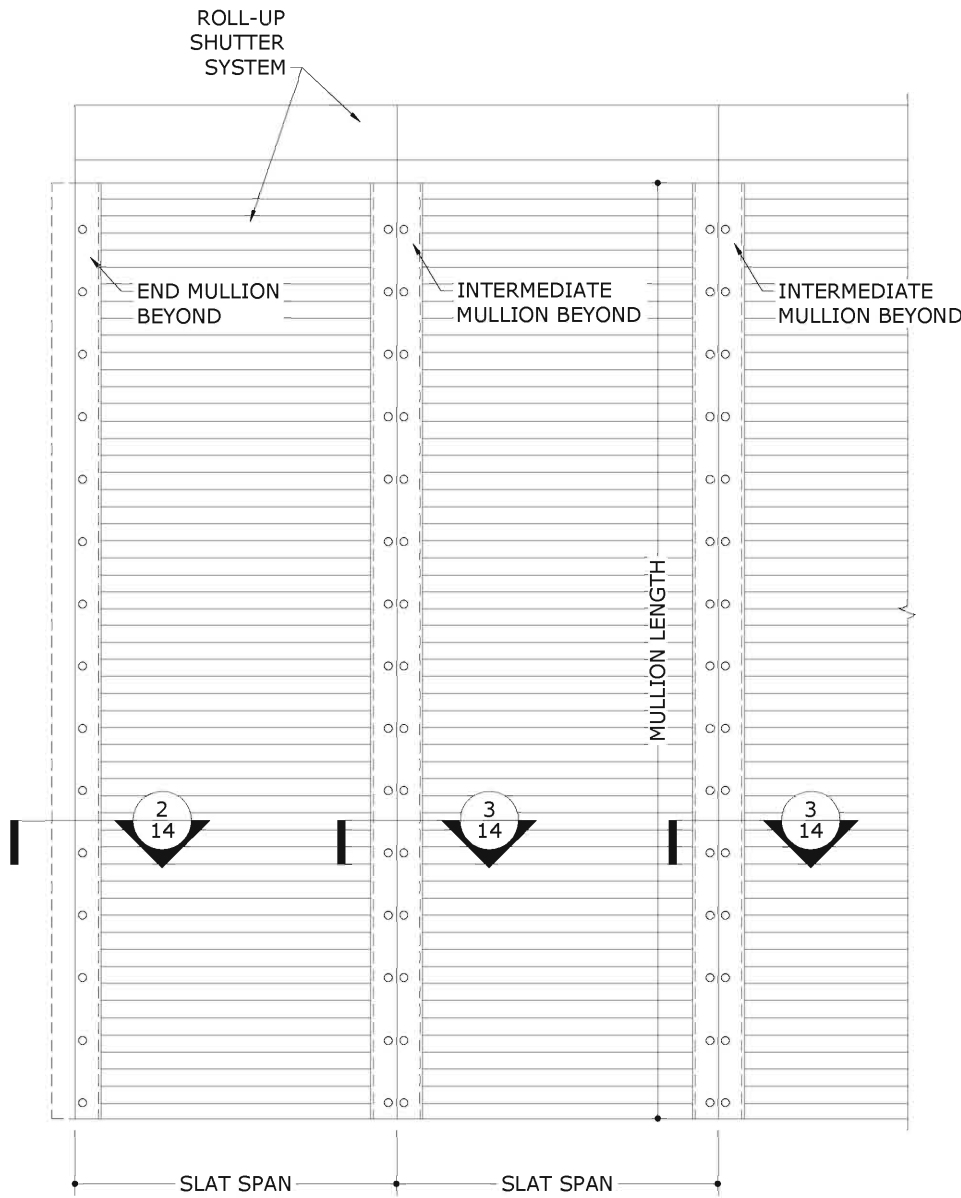
DRWN	CHKD	DATE
KL	FLB	4/25/14
RWN	TSB	6/04/14
RWN	CSL	4/08/15
RWN	FLB	8/07/17
CCB	RWN	6/30/20

REMARKS
INIT ISSUE
REV FOR TDI
2014 FBC
2017 FBC
2020 FBC

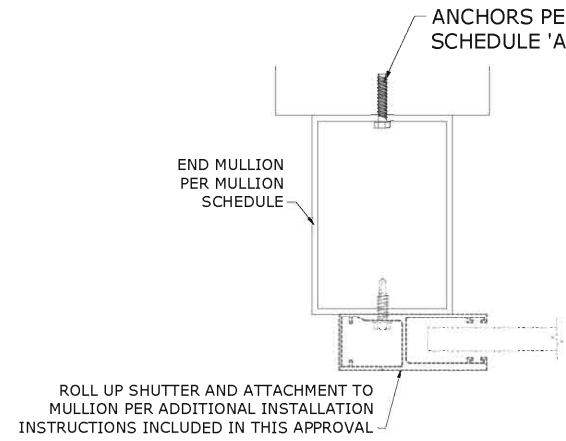
THIS DOCUMENT IS THE PROPERTY OF FRANK L. BENNARDO, P.E. AND SHALL NOT BE REPRODUCED IN WHOLE OR PART WITHOUT WRITTEN CONSENT OF FRANK L. BENNARDO, P.E. *ALTERATIONS, ADDITIONS, HIGHLIGHTING OR OTHER MARKINGS TO THIS DOCUMENT ARE NOT PERMITTED AND INVALIDATE OUR CERTIFICATION.

COPYRIGHT FRANK L. BENNARDO P.E.
20-26184b
SCALE: -
PAGE DESCRIPTION: -

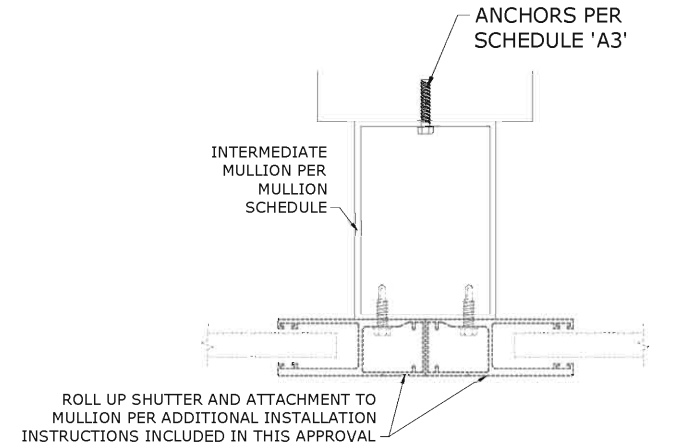
CONTINUOUSLY ANCHORED MULLION CONNECTION DETAILS



1
14 N.T.S. EXTERIOR ELEV



2
14 N.T.S. END MULLION CONTINUOUSLY ANCHORED
HORIZ SECTION



3
14 N.T.S. INTERMEDIATE MULLION CONTINUOUSLY ANCHORED
HORIZ SECTION

SCHEDULE 'A2'

SLAT SPAN	DESIGN PRESSURE (PSF)	REACTION ALONG LENGTH	
		END MULLION	INTERMEDIATE MULLION
30"	40	50 LB/FT	100 LB/FT
	60	75 LB/FT	150 LB/FT
	80	100 LB/FT	200 LB/FT
	100	125 LB/FT	250 LB/FT
40"	40	67 LB/FT	133 LB/FT
	60	100 LB/FT	200 LB/FT
	80	133 LB/FT	267 LB/FT
	100	167 LB/FT	333 LB/FT
50"	40	83 LB/FT	167 LB/FT
	60	125 LB/FT	250 LB/FT
	80	167 LB/FT	333 LB/FT
	100	208 LB/FT	417 LB/FT
60"	40	100 LB/FT	200 LB/FT
	60	150 LB/FT	300 LB/FT
	80	200 LB/FT	400 LB/FT
	100	250 LB/FT	500 LB/FT
70"	40	117 LB/FT	233 LB/FT
	60	175 LB/FT	350 LB/FT
	80	233 LB/FT	467 LB/FT
	100	292 LB/FT	583 LB/FT
80"	40	133 LB/FT	267 LB/FT
	60	200 LB/FT	400 LB/FT
	80	267 LB/FT	533 LB/FT
	100	333 LB/FT	667 LB/FT
	120	400 LB/FT	800 LB/FT

SCHEDULE 'A3'

ANCHOR TYPE	MINIMUM EDGE DISTANCE	ANCHOR SPACING (ON CENTER)	CONNECTION CAPACITY
3/8" DEWALT SCREW BOLTS W/ 3-1/2" EMBED TO 3KSI MIN. CONCRETE	4.5"	12"	2205 LB/FT
		18"	1470 LB/FT
		24"	735 LB/FT
		30"	294 LB/FT
3/8" DEWALT SCREW BOLTS W/ 3-1/2" EMBED TO GROUT-FILLED CONCRETE BLOCK*	12.0"	12"	1290 LB/FT
		18"	860 LB/FT
		24"	430 LB/FT
3/8" DEWALT STEEL DROPIN W/ 1-9/16" EMBED TO 3KSI MIN. CONCRETE	5.25"	12"	795 LB/FT
		18"	530 LB/FT
		24"	265 LB/FT
5/16" ITW TAPCON XL OR DEWALT ULTRACON W/ 2-1/4" MIN. EMBED TO 3.5KSI MIN. CONCRETE	4.0"	12"	788 LB/FT
		18"	525 LB/FT
		24"	263 LB/FT
5/16" ITW TAPCON XL OR DEWALT ULTRACON W/ 2-1/4" MIN. EMBED TO GROUT-FILLED CONCRETE BLOCK	3.125"	12"	292 LB/FT
		18"	195 LB/FT
		24"	97 LB/FT
5/16" LAG SCREW W/ 2" MIN. THREAD PENETRATION TO G=0.42 MIN WOOD	1.25"	12"	39 LB/FT
		18"	655 LB/FT
		24"	437 LB/FT
		30"	218 LB/FT
		30"	87 LB/FT

CONTINUOUSLY ANCHORED MULLION NOTES:

- USE SCHEDULE 'A2' TO DETERMINE THE REACTION ALONG MULLION LENGTH FOR THE APPLICABLE SLAT SPAN AND DESIGN PRESSURE.
- "REACTION ALONG LENGTH" IS LISTED FOR EACH COMBINATION OF DESIGN LOAD & SLAT SPAN. CHOOSE ANCHOR TYPE AND ANCHOR SPACING FROM SCHEDULE 'A3' THAT PROVIDES "CONNECTION CAPACITY" GREATER THAN OR EQUAL TO "REACTION ALONG LENGTH" GIVEN ABOVE IN SCHEDULE 'A2'.
- SCHEDULES ARE APPLICABLE TO ALL NON-END RETENTION MULLIONS.
- ALLOWABLE DESIGN PRESSURES AND SLAT SPANS INDICATED ARE FOR DETERMINING PERMISSIBLE MULLION ANCHORS ONLY. ACTUAL SLAT SPANS AND DESIGN PRESSURES SHALL NOT EXCEED THOSE INDICATED ROLL-UP SHUTTER INSTALLATION INSTRUCTIONS.
- THIS SCHEDULE MAY BE USED FOR ALL NON-END RETENTION MULLIONS ANCHORED CONTINUOUSLY ALONG THEIR LENGTH.
- SEE ANCHOR NOTES ON SHEET 13

FRANK BENNARDO, PE
PE# 0046549 CA#9885



ENGINEERING EXPRESS
CORPORATE OFFICE:
160 SW 12th AVE, SUITE 106
DEERFIELD BEACH, FL 33442
(954) 354-0660 | (866) 396-9999
TEAM@ENGINEERINGEXPRESS.COM
ENGINEERINGEXPRESS.COM

Town & Country INDUSTRIES
Wholesale Aluminum and Building Products
A Division of ABC Supply Co., Inc.

400 WEST MCNAB ROAD
FT. LAUDERDALE, FL 33309
FL14235.2

DRWN	CHKD	DATE
KL	FLB	4/25/14
RWN	TSB	6/04/14
RWN	CSL	4/08/15
RWN	FLB	8/07/17
CCB	RWN	6/30/20

REMARKS
INIT ISSUE
REV FOR TDI
2014 FBC
2017 FBC
2020 FBC

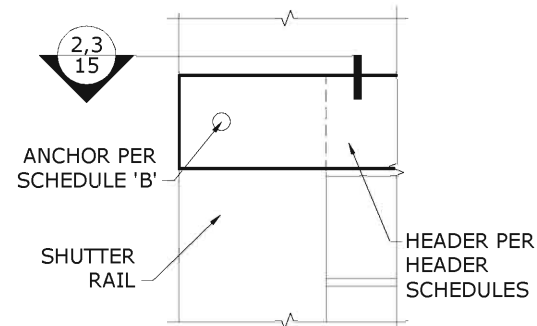
THIS DOCUMENT IS THE PROPERTY OF FRANK L. BENNARDO, PE AND SHALL NOT BE REPRODUCED IN WHOLE OR PART WITHOUT WRITTEN CONSENT OF FRANK L. BENNARDO, PE. ALL ALTERATIONS, ADDITIONS, HIGHLIGHTING OR OTHER MARKINGS TO THIS DOCUMENT ARE NOT PERMITTED AND INVALIDATE OUR CERTIFICATION.

COPYRIGHT FRANK L. BENNARDO P.E.

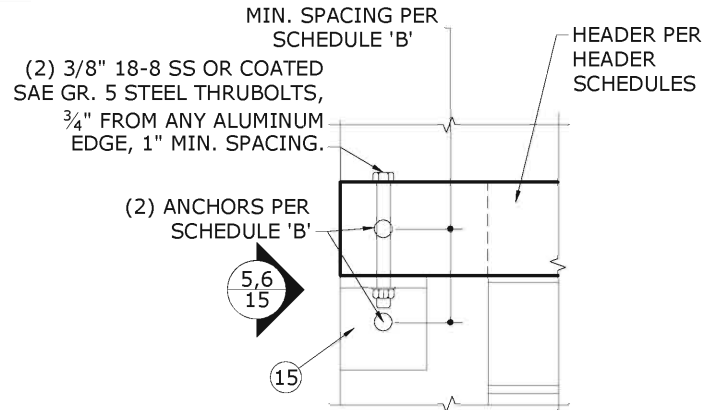
20-26184b

SCALE: -
PAGE DESCRIPTION:

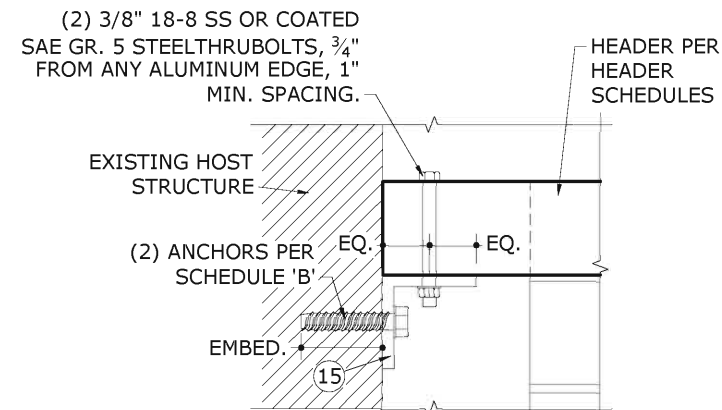
HEADER CONNECTION DETAILS



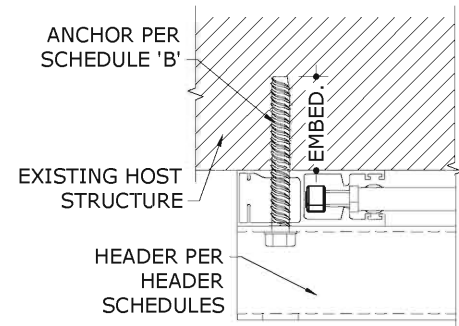
1 BUILD-OUT & WALL MOUNT
N.T.S. ELEV



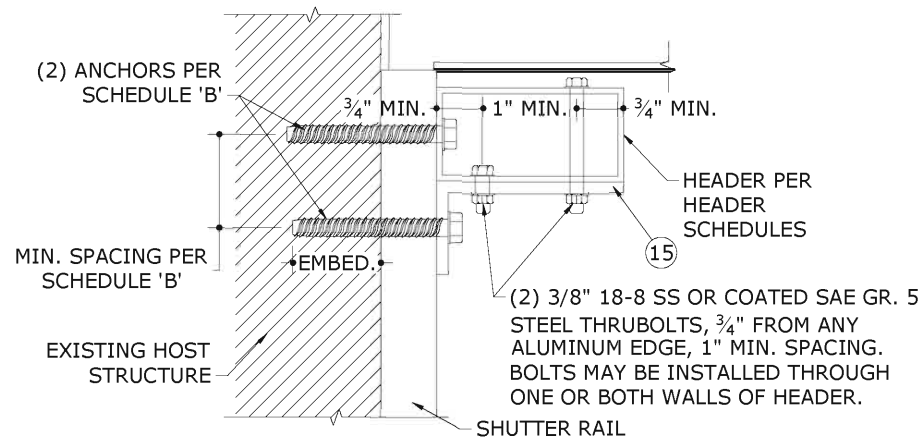
4 BUILD-OUT & WALL MOUNT
N.T.S. ELEV



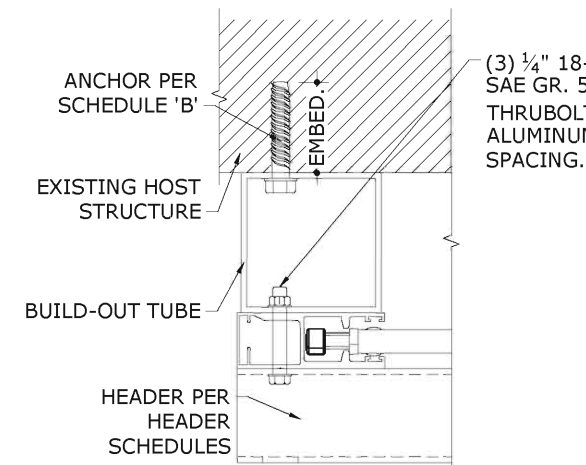
7 INTERIOR MOUNT
N.T.S. ELEV



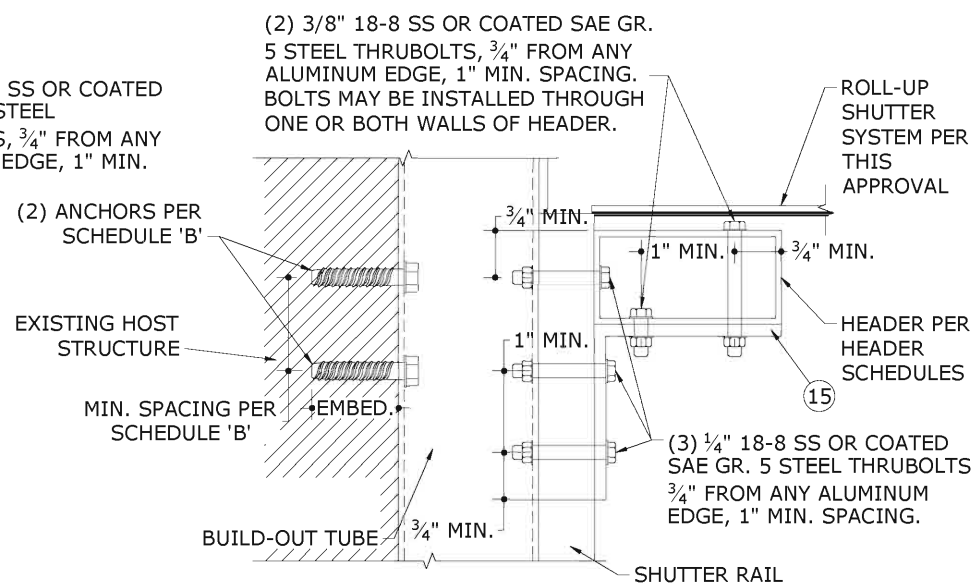
2 WALL MOUNT
N.T.S. HORIZ SECTION



5 WALL MOUNT
N.T.S. VERT SECTION



3 BUILD-OUT MOUNT
N.T.S. HORIZ SECTION



6 BUILD-OUT MOUNT
N.T.S. VERT SECTION

SCHEDULE 'B'

ANCHOR TYPE	MINIMUM SPACING	MINIMUM EDGE DISTANCE	MOUNTING CONDITION	NUMBER OF ANCHORS	CONNECTION CAPACITY
3/8" DEWALT SCREW BOLTS W/ 3-1/2" EMBED TO 3KSI MIN. CONCRETE	4.5"	4.5"	BUILD-OUT OR WALL MOUNT	1	2205 LB
			INTERIOR MOUNT	2	3093 LB
	2.5"	4.5"	BUILD-OUT OR WALL MOUNT	1	1477 LB
			INTERIOR MOUNT	2	2955 LB
3/8" DEWALT SCREW BOLTS W/ 3-1/2" EMBED TO GROUT-FILLED CONCRETE BLOCK*	6.0"	12.0"	BUILD-OUT OR WALL MOUNT	1	1290 LB
			INTERIOR MOUNT	2	2580 LB
	4.5"	5.25"	BUILD-OUT OR WALL MOUNT	1	1100 LB
			INTERIOR MOUNT	2	2200 LB
3/8" DEWALT STEEL DROPIN W/ 1-9/16" EMBED TO 3KSI MIN. CONCRETE	4.5"	5.25"	BUILD-OUT OR WALL MOUNT	1	795 LB
			INTERIOR MOUNT	2	1590 LB
	2.5"	5.25"	BUILD-OUT OR WALL MOUNT	1	1145 LB
			INTERIOR MOUNT	2	2290 LB
5/16" ITW TAPCON XL OR DEWALT ULTRACON W/ 2-1/4" MIN. EMBED TO 3.5KSI MIN. CONCRETE	5.0"	4.0"	BUILD-OUT OR WALL MOUNT	1	461 LB
			INTERIOR MOUNT	2	922 LB
	5.0"	3.125"	BUILD-OUT OR WALL MOUNT	1	664 LB
			INTERIOR MOUNT	2	1328 LB
5/16" ITW TAPCON XL OR DEWALT ULTRACON W/ 2-1/4" MIN. EMBED TO GROUT-FILLED CONCRETE BLOCK	5.0"	3.125"	BUILD-OUT OR WALL MOUNT	1	788 LB
			INTERIOR MOUNT	2	1576 LB
	5.0"	3.125"	BUILD-OUT OR WALL MOUNT	1	851 LB
			INTERIOR MOUNT	2	1702 LB
5/16" LAG SCREW W/ 2" MIN. THREAD PENETRATION TO G=0.42 MIN WOOD	2.0"	1.25"	BUILD-OUT OR WALL MOUNT	1	292 LB
			INTERIOR MOUNT	2	584 LB
	2.0"	1.25"	BUILD-OUT OR WALL MOUNT	1	372 LB
			INTERIOR MOUNT	2	744 LB
5/16" LAG SCREW W/ 2" MIN. THREAD PENETRATION TO G=0.42 MIN WOOD	2.0"	1.25"	BUILD-OUT OR WALL MOUNT	1	655 LB
			INTERIOR MOUNT	2	1311 LB
	2.0"	1.25"	BUILD-OUT OR WALL MOUNT	1	151 LB
			INTERIOR MOUNT	2	301 LB

NOTES:

- ALL ANCHORS SHALL BE 3/4" MINIMUM FROM ANY ALUMINUM EDGE.
- * ANCHOR SHALL PENETRATE THROUGH FACE SHELL INTO GROUTED CELL.
- SEE ANCHOR NOTES ON SHEET 13.

FRANK BENNARDO, PE
PE# 0046549 CA#9885



ENGINEERING EXPRESS
CORPORATE OFFICE:
160 SW 12th AVE, SUITE 106
DEERFIELD BEACH, FL 33442
(954) 354-0660 | (866) 396-9999
TEAM@ENGINEERINGEXPRESS.COM
ENGINEERINGEXPRESS.COM

Town & Country
INDUSTRIES
Wholesale Aluminum and Building Products
A Division of ABC Supply Co., Inc.

400 WEST MCNAB ROAD
FT. LAUDERDALE, FL 33309
FL14235.2

DRWN	CHKD	DATE
KL	FLB	4/25/14
RWN	TSB	6/04/14
RWN	CSL	4/08/15
RWN	FLB	8/07/17
CCB	RWN	6/30/20

REMARKS: THIS DOCUMENT IS THE PROPERTY OF FRANK L. BENNARDO, PE AND SHALL NOT BE REPRODUCED IN WHOLE OR PART WITHOUT WRITTEN CONSENT OF FRANK L. BENNARDO, PE. *ALTERATIONS, ADDITIONS, HIGHLIGHTING OR OTHER MARKINGS TO THIS DOCUMENT ARE NOT PERMITTED AND INVALIDATE OUR CERTIFICATION.

COPYRIGHT FRANK L. BENNARDO P.E.
20-26184b

SCALE: -
PAGE DESCRIPTION: