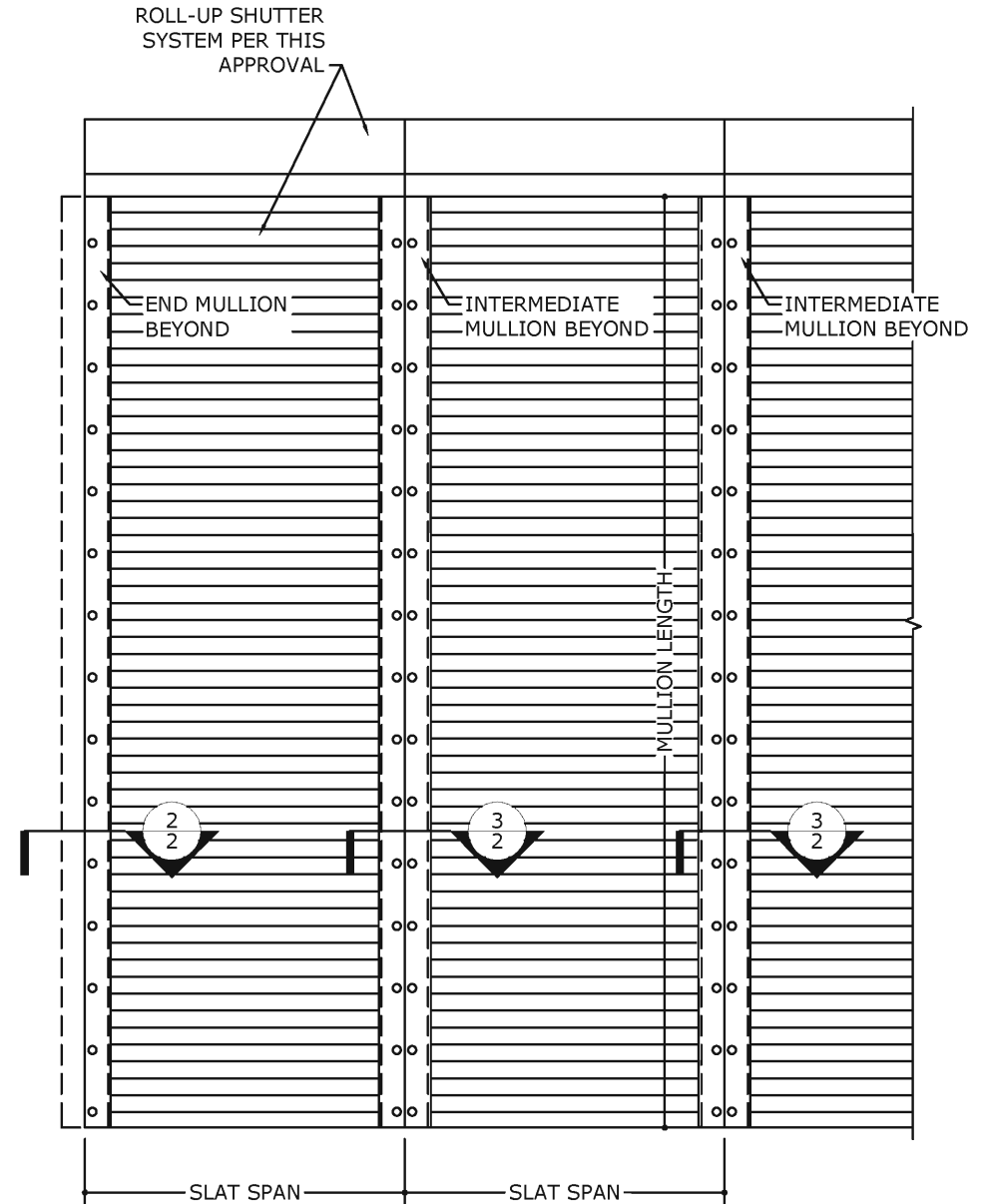
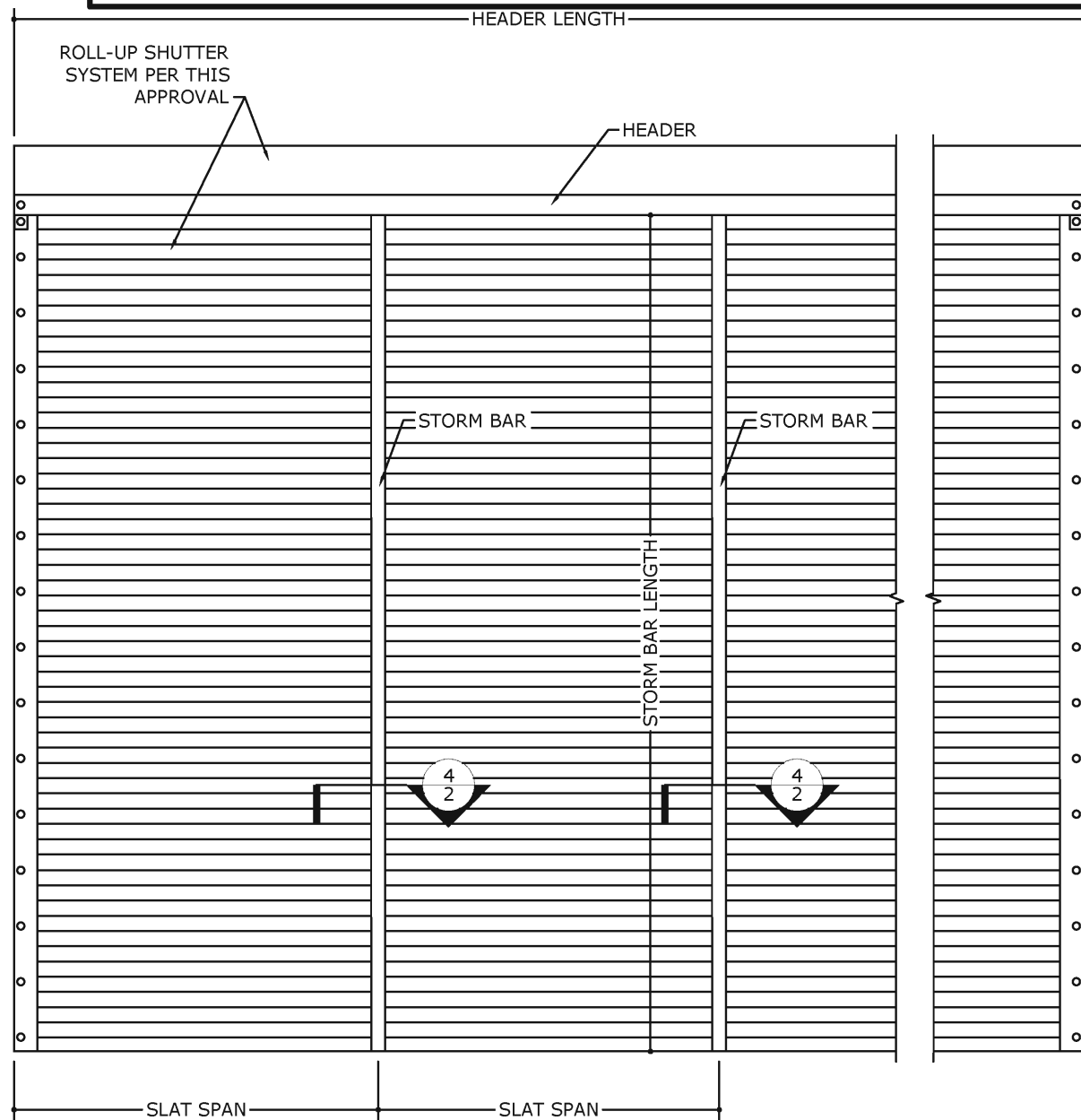


ALUMINUM STORM BARS, HEADERS AND MULLIONS

ADDENDUM INSTALLATION INSTRUCTIONS FOR ROLL-UP SHUTTER



1 TYPICAL SHUTTER WITH STORM BARS

1 N.T.S. EXTERIOR ELEV

2 TYPICAL SHUTTER WITH MULLIONS

1 N.T.S. EXTERIOR ELEV

GENERAL NOTES

- THE SYSTEM DESCRIBED HEREIN HAS BEEN DESIGNED AND TESTED IN ACCORDANCE WITH THE FLORIDA BUILDING CODE SEVENTH EDITION (2020), THE INTERNATIONAL BUILDING CODE (IBC) AND THE INTERNATIONAL RESIDENTIAL CODE (IRC), FOR USE WITHIN AND OUTSIDE THE HIGH VELOCITY HURRICANE ZONE. CRITICAL STORM BARS, MULLIONS AND HEADERS SHOWN HEREIN HAVE BEEN IMPACTED TO VERIFY LARGE MISSILE IMPACT RESISTANCE. SEE PRODUCT EVALUATION REPORT FOR ADDITIONAL INFORMATION.
- NO 33-1/3% INCREASE IN ALLOWABLE STRESS HAS BEEN USED IN THE DESIGN OF THIS SYSTEM. WIND LOAD DURATION FACTOR $C_d=1.6$ HAS BEEN USED FOR WOOD ANCHOR DESIGN.
- POSITIVE AND NEGATIVE DESIGN PRESSURES CALCULATED FOR USE WITH THIS SYSTEM SHALL BE DETERMINED PER SEPARATE ENGINEERING IN ACCORDANCE WITH THE GOVERNING CODE. PRESSURE REQUIREMENTS AS DETERMINED IN ACCORDANCE WITH ASCE 7 AND CHAPTER 1609 OF THE FLORIDA BUILDING CODE SHALL BE LESS THAN OR EQUAL TO THE POSITIVE OR NEGATIVE DESIGN PRESSURE CAPACITY VALUES LISTED HEREIN FOR ANY ASSEMBLY AS SHOWN.
- DESIGN PRESSURES NOTED HEREIN ARE BASED ON MAXIMUM TESTED PRESSURES DIVIDED BY A 1.5 SAFETY FACTOR.

- THE SYSTEM DETAILED HEREIN IS GENERIC AND DOES NOT PROVIDE INFORMATION FOR A SPECIFIC SITE. FOR SITE CONDITIONS DIFFERENT FROM THE CONDITIONS DETAILED HEREIN, A LICENSED ENGINEER OR REGISTERED ARCHITECT SHALL PREPARE SITE SPECIFIC DOCUMENTS FOR USE IN CONJUNCTION WITH THIS DOCUMENT. THIS CERTIFICATION IS VALID FOR USE IN CONJUNCTION WITH THE MOST CURRENT REVISION OF FLORIDA PRODUCT APPROVAL #FL14235.3, MAESTROSHIELD ALUMINUM ROLL-UP SHUTTER.
- PERMIT HOLDER SHALL VERIFY THE ADEQUACY OF THE EXISTING STRUCTURE TO WITHSTAND SUPERIMPOSED LOADS.
- ALL EXTRUSIONS SHALL BE MINIMUM 6063-T6 ALUMINUM ALLOY, UNLESS NOTED OTHERWISE.
- END CONNECTION DETAILS SHOWN MAY BE INTERCHANGED AS FIELD CONDITIONS DICTATE.
- ANCHORS SHALL BE INSTALLED IN ACCORDANCE WITH MANUFACTURERS' RECOMMENDATIONS.
- UNLESS OTHERWISE NOTED, ALL BOLTS & WASHERS SHALL BE ZINC COATED STEEL, GALVANIZED STEEL, OR STAINLESS STEEL WITH A MINIMUM TENSILE YIELD STRENGTH OF 60 KSI.
- ALL STEEL IN CONTACT WITH ALUMINUM SHALL BE PAINTED OR PLATED AS PRESCRIBED IN THE FLORIDA BUILDING CODE.

VISIT ECALC.IO/26189

FOR SITE SPECIFIC DEVIATIONS & MORE INFORMATION ABOUT THIS DOCUMENT OR SCAN THIS QR CODE

VISIT ENGINEERINGEXPRESS.COM/STORE FOR ADDITIONAL PLANS, REPORTS & RESOURCES

FRANK BENNARDO, PE
PE# 0046549 CA#9885

ENGINEERING EXPRESS

CORPORATE OFFICE:
160 SW 12th AVE, SUITE 106
DEERFIELD BEACH, FL 33442
(954) 354-0660 | (866) 396-9999
TEAM@ENGINEERINGEXPRESS.COM
ENGINEERINGEXPRESS.COM

Town & Country INDUSTRIES
Wholesale Aluminum and Building Products
A Division of ABC Supply Co., Inc.

400 WEST MCNAB ROAD
FT. LAUDERDALE, FL 33309
FL14235.3

| DRWN | CHKD | DATE |
|------|------|---------|
| KL | FLB | 4/25/14 |
| RWN | CSL | 4/08/15 |
| RWN | FLB | 8/07/17 |
| CCB | IRWN | 6/30/20 |

REMARKS

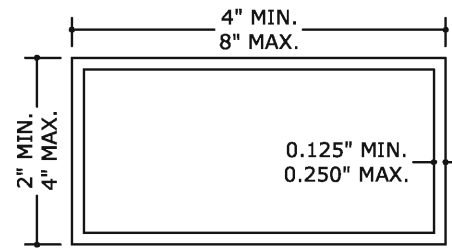
INIT ISSUE 2014-FBC
2017-FBC
2020-FBC

THIS DOCUMENT IS THE PROPERTY OF FRANK L. BENNARDO, P.E. AND SHALL NOT BE REPRODUCED IN WHOLE OR PART WITHOUT WRITTEN CONSENT OF FRANK L. BENNARDO, P.E. ANY REPRODUCTION OR TRANSMISSION OF THIS DOCUMENT ARE NOT PERMITTED AND WILL INEFFECTIVE.

COPYRIGHT FRANK L. BENNARDO P.E.

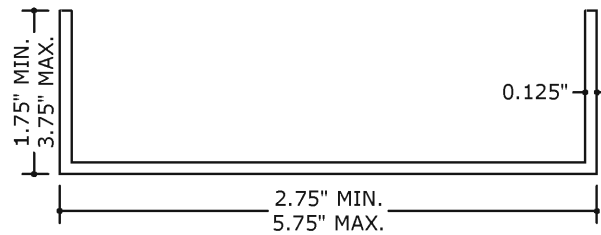
20-26189b

SCALE: -
PAGE DESCRIPTION:

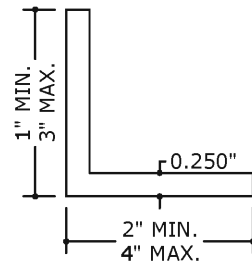


1-13 ALUMINUM TUBE
6" = 1'-0" MAT'L PER BOM

| BILL OF MATERIALS | | |
|-------------------|--|-------------------------|
| ITEM # | DESCRIPTION | MATERIAL |
| 1 | 2"x4"x0.125" TUBE | 6063-T6 ALUM |
| 2 | 2"x5"x0.125" TUBE | 6063-T6 ALUM |
| 3 | 2"x3"x0.25" TUBE | 6061-T6 OR 6005-T5 ALUM |
| 4 | 2"x4"x0.25" TUBE | 6061-T6 OR 6005-T5 ALUM |
| 5 | 2"x5"x0.25" TUBE | 6061-T6 OR 6005-T5 ALUM |
| 6 | 2"x6"x0.125" TUBE | 6063-T6 ALUM |
| 7 | 2"x6"x0.25" TUBE | 6061-T6 OR 6005-T5 ALUM |
| 8 | 3"x3"x0.125" TUBE | 6063-T6 ALUM |
| 9 | 3"x3"x0.25" TUBE | 6061-T6 OR 6005-T5 ALUM |
| 10 | 4"x4"x0.125" TUBE | 6063-T6 ALUM |
| 11 | 4"x4"x0.25" TUBE | 6061-T6 OR 6005-T5 ALUM |
| 12 | 4"x6"x0.25" TUBE | 6061-T6 OR 6005-T5 ALUM |
| 13 | 4"x8"x0.25" TUBE | 6061-T6 OR 6005-T5 ALUM |
| 14 | STEEL REINFORCEMENT (Fy = 30 ksi MIN.) | A36 OR STAINLESS STEEL |
| 15 | ALUMINUM ANGLE | 6061-T6 OR 6005-T5 ALUM |

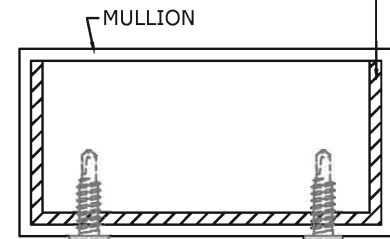


14 STEEL REINFORCEMENT
6" = 1'-0" A36 GALV. STEEL OR STAINLESS STEEL

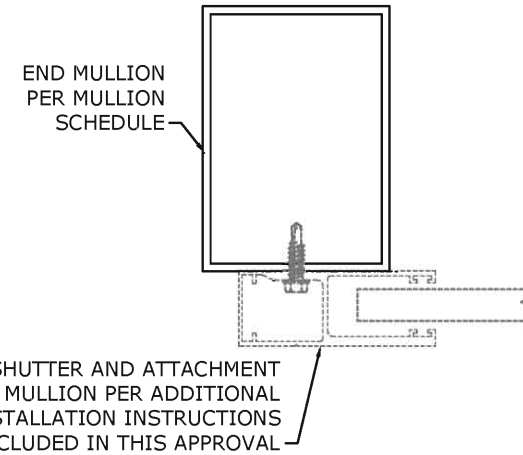


15 ALUMINUM ANGLE
6" = 1'-0" 6061-T6 OR 6005-T5 ALUM

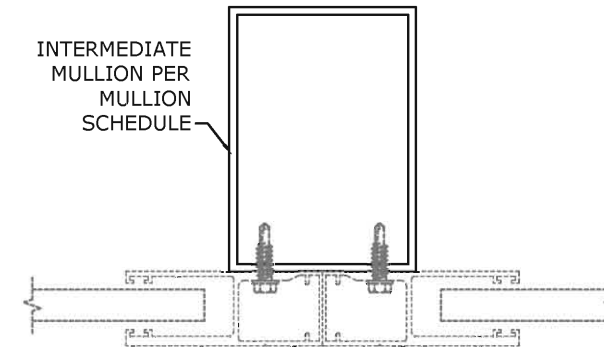
STEEL REINFORCEMENT, 90% OF THE MULLION LENGTH, MINIMUM. LOCATED AT CENTER OF MULLION.



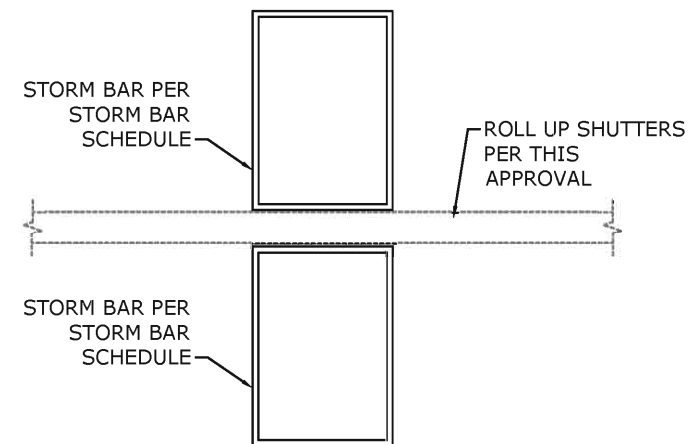
1 TYPICAL REINFORCEMENT
2 N.T.S. SECTION



2 TYPICAL END MULLION
2 N.T.S. HORIZ SECTION



3 TYPICAL INTERMEDIATE MULLION
2 N.T.S. HORIZ SECTION



4 TYPICAL STORM BARS
2 N.T.S. HORIZ SECTION



ENGINEERING EXPRESS
CORPORATE OFFICE:
160 SW 12th AVE, SUITE 106
DEERFIELD BEACH, FL 33442
(954) 354-0660 | (866) 396-9999
TEAM@ENGINEERINGEXPRESS.COM
ENGINEERINGEXPRESS.COM

Town & Country
INDUSTRIES
Wholesale Aluminum and Building Products
A Division of ABC Supply Co., Inc.
400 WEST MCNAB ROAD
FT. LAUDERDALE, FL 33309
FL14235.3

| DRWN | CHKD | DATE |
|------|------|---------|
| KL | FLB | 4/25/14 |
| RWN | CSL | 4/08/15 |
| RWN | FLB | 8/07/17 |
| CCB | RWN | 6/30/20 |

REMARKS
INIT ISSUE
2014 FBC
2017 FBC
2020 FBC

THIS DOCUMENT IS THE PROPERTY OF FRANK L. BENNARDO, P.E. AND SHALL NOT BE REPRODUCED IN WHOLE OR PART WITHOUT WRITTEN CONSENT OF FRANK L. BENNARDO, P.E. ALTERNATIONS, ADDITIONS, HIGHLIGHTING, OR OTHER MARKINGS TO THIS DOCUMENT ARE NOT PERMITTED AND INVALIDATE OUR CERTIFICATION.

COPYRIGHT FRANK L. BENNARDO P.E.

20-26189b

SCALE: -
PAGE DESCRIPTION:

STORM BAR AND MULLION SCHEDULE: 2"x2"x1/4"

| STORM BAR HEIGHT | SLAT SPAN | | | | | | | | | | | | | | | | | | | | | | | |
|------------------|-----------------------|------------------------|-----------------------|------------------------|-----------------------|------------------------|-----------------------|------------------------|-----------------------|------------------------|-----------------------|------------------------|-----------------------|------------------------|-----------------------|------------------------|-----------------------|------------------------|-----------------------|------------------------|-----------------------|------------------------|-----------------------|------------------------|
| | 25" | | 30" | | 35" | | 40" | | 45" | | 50" | | 55" | | 60" | | 65" | | 70" | | 75" | | 80" | |
| | DESIGN PRESSURE (PSF) | REACTION AT ENDS (LBS) | DESIGN PRESSURE (PSF) | REACTION AT ENDS (LBS) | DESIGN PRESSURE (PSF) | REACTION AT ENDS (LBS) | DESIGN PRESSURE (PSF) | REACTION AT ENDS (LBS) | DESIGN PRESSURE (PSF) | REACTION AT ENDS (LBS) | DESIGN PRESSURE (PSF) | REACTION AT ENDS (LBS) | DESIGN PRESSURE (PSF) | REACTION AT ENDS (LBS) | DESIGN PRESSURE (PSF) | REACTION AT ENDS (LBS) | DESIGN PRESSURE (PSF) | REACTION AT ENDS (LBS) | DESIGN PRESSURE (PSF) | REACTION AT ENDS (LBS) | DESIGN PRESSURE (PSF) | REACTION AT ENDS (LBS) | DESIGN PRESSURE (PSF) | REACTION AT ENDS (LBS) |
| 96" | 25.6 | 213.1 | | | | | | | | | | | | | | | | | | | | | | |
| 84" | 38.2 | 278.3 | 31.8 | 278.3 | 27.3 | 278.3 | | | | | | | | | | | | | | | | | | |
| 72" | 60.6 | 378.8 | 50.5 | 378.8 | 43.3 | 378.8 | 37.9 | 378.8 | 33.7 | 378.8 | 30.3 | 378.8 | 27.6 | 378.8 | 25.3 | 378.8 | | | | | | | | |
| 60" | 104.7 | 545.5 | 87.3 | 545.5 | 74.8 | 545.5 | 65.5 | 545.5 | 58.2 | 545.5 | 52.4 | 545.5 | 47.6 | 545.5 | 43.6 | 545.5 | 40.3 | 545.5 | 37.4 | 545.5 | 34.9 | 545.5 | 32.2 | 536.7 |
| 48" | 120.0 | 500.0 | 120.0 | 600.0 | 120.0 | 700.0 | 120.0 | 800.0 | 113.7 | 852.4 | 102.3 | 852.4 | 83.1 | 761.8 | 67.3 | 673.0 | 55.2 | 598.0 | 45.7 | 533.2 | 38.2 | 477.5 | 32.2 | 429.3 |
| 36" | 120.0 | 375.0 | 120.0 | 450.0 | 120.0 | 525.0 | 120.0 | 600.0 | 120.0 | 675.0 | 104.2 | 651.3 | 83.1 | 571.3 | 67.3 | 504.8 | 55.2 | 448.5 | 45.7 | 399.9 | 38.2 | 358.1 | 32.2 | 322.0 |
| 24" | 120.0 | 250.0 | 120.0 | 300.0 | 120.0 | 350.0 | 120.0 | 400.0 | 120.0 | 450.0 | 104.2 | 434.2 | 83.1 | 380.9 | 67.3 | 336.5 | 55.2 | 299.0 | 45.7 | 266.6 | 38.2 | 238.8 | 32.2 | 214.7 |

STORM BAR AND MULLION SCHEDULE: 2"x4"x1/8" OR 2x3"x1/4"

| MEMBER LENGTH | SLAT SPAN | | | | | | | | | | | | | | | | | | | | | | | | |
|---------------|-----------------------|------------------------|-----------------------|------------------------|-----------------------|------------------------|-----------------------|------------------------|-----------------------|------------------------|-----------------------|------------------------|-----------------------|------------------------|-----------------------|------------------------|-----------------------|------------------------|-----------------------|------------------------|-----------------------|------------------------|-----------------------|------------------------|--|
| | 25" | | 30" | | 35" | | 40" | | 45" | | 50" | | 55" | | 60" | | 65" | | 70" | | 75" | | 80" | | |
| | DESIGN PRESSURE (PSF) | REACTION AT ENDS (LBS) | DESIGN PRESSURE (PSF) | REACTION AT ENDS (LBS) | DESIGN PRESSURE (PSF) | REACTION AT ENDS (LBS) | DESIGN PRESSURE (PSF) | REACTION AT ENDS (LBS) | DESIGN PRESSURE (PSF) | REACTION AT ENDS (LBS) | DESIGN PRESSURE (PSF) | REACTION AT ENDS (LBS) | DESIGN PRESSURE (PSF) | REACTION AT ENDS (LBS) | DESIGN PRESSURE (PSF) | REACTION AT ENDS (LBS) | DESIGN PRESSURE (PSF) | REACTION AT ENDS (LBS) | DESIGN PRESSURE (PSF) | REACTION AT ENDS (LBS) | DESIGN PRESSURE (PSF) | REACTION AT ENDS (LBS) | DESIGN PRESSURE (PSF) | REACTION AT ENDS (LBS) | |
| 120" | 36.6 | 381.1 | 30.5 | 381.1 | 26.1 | 381.1 | | | | | | | | | | | | | | | | | | | |
| 108" | 50.2 | 470.5 | 41.8 | 470.5 | 35.8 | 470.5 | 31.4 | 470.5 | 27.9 | 470.5 | 25.1 | 470.5 | | | | | | | | | | | | | |
| 96" | 71.5 | 595.4 | 59.5 | 595.4 | 51.0 | 595.4 | 44.7 | 595.4 | 39.7 | 595.4 | 35.7 | 595.4 | 32.5 | 595.4 | 29.8 | 595.4 | 27.5 | 595.4 | 25.5 | 595.4 | | | | | |
| 84" | 106.7 | 777.7 | 88.9 | 777.7 | 76.2 | 777.7 | 66.7 | 777.7 | 59.3 | 777.7 | 53.3 | 777.7 | 48.5 | 777.7 | 44.4 | 777.7 | 41.0 | 777.7 | 38.1 | 777.7 | 35.6 | 777.7 | 32.2 | 751.3 | |
| 72" | 120.0 | 750.0 | 120.0 | 900.0 | 120.0 | 1050.0 | 105.9 | 1058.6 | 94.1 | 1058.6 | 84.7 | 1058.6 | 77.0 | 1058.6 | 67.3 | 1009.5 | 55.2 | 897.0 | 45.7 | 799.8 | 38.2 | 716.3 | 32.2 | 644.0 | |
| 60" | 120.0 | 625.0 | 120.0 | 750.0 | 120.0 | 875.0 | 120.0 | 1000.0 | 120.0 | 1125.0 | 104.2 | 1085.4 | 83.1 | 952.2 | 67.3 | 841.3 | 55.2 | 747.5 | 45.7 | 666.5 | 38.2 | 596.9 | 32.2 | 536.7 | |
| 48" | 120.0 | 500.0 | 120.0 | 600.0 | 120.0 | 700.0 | 120.0 | 800.0 | 120.0 | 900.0 | 104.2 | 868.3 | 83.1 | 761.8 | 67.3 | 673.0 | 55.2 | 598.0 | 45.7 | 533.2 | 38.2 | 477.5 | 32.2 | 429.3 | |
| 36" | 120.0 | 375.0 | 120.0 | 450.0 | 120.0 | 525.0 | 120.0 | 600.0 | 120.0 | 675.0 | 104.2 | 651.3 | 83.1 | 571.3 | 67.3 | 504.8 | 55.2 | 448.5 | 45.7 | 399.9 | 38.2 | 358.1 | 32.2 | 322.0 | |

STORM BAR AND MULLION SCHEDULE: 2"x4"x1/4" OR 2"x5"x1/8"

| MEMBER LENGTH | SLAT SPAN | | | | | | | | | | | | | | | | | | | | | | | | |
|---------------|-----------------------|------------------------|-----------------------|------------------------|-----------------------|------------------------|-----------------------|------------------------|-----------------------|------------------------|-----------------------|------------------------|-----------------------|------------------------|-----------------------|------------------------|-----------------------|------------------------|-----------------------|------------------------|-----------------------|------------------------|-----------------------|------------------------|--|
| | 25" | | 30" | | 35" | | 40" | | 45" | | 50" | | 55" | | 60" | | 65" | | 70" | | 75" | | 80" | | |
| | DESIGN PRESSURE (PSF) | REACTION AT ENDS (LBS) | DESIGN PRESSURE (PSF) | REACTION AT ENDS (LBS) | DESIGN PRESSURE (PSF) | REACTION AT ENDS (LBS) | DESIGN PRESSURE (PSF) | REACTION AT ENDS (LBS) | DESIGN PRESSURE (PSF) | REACTION AT ENDS (LBS) | DESIGN PRESSURE (PSF) | REACTION AT ENDS (LBS) | DESIGN PRESSURE (PSF) | REACTION AT ENDS (LBS) | DESIGN PRESSURE (PSF) | REACTION AT ENDS (LBS) | DESIGN PRESSURE (PSF) | REACTION AT ENDS (LBS) | DESIGN PRESSURE (PSF) | REACTION AT ENDS (LBS) | DESIGN PRESSURE (PSF) | REACTION AT ENDS (LBS) | DESIGN PRESSURE (PSF) | REACTION AT ENDS (LBS) | |
| 120" | 74.8 | 778.7 | 62.3 | 778.7 | 53.4 | 778.7 | 46.7 | 778.7 | 41.5 | 778.7 | 37.4 | 778.7 | 34.0 | 778.7 | 31.1 | 778.7 | 28.8 | 778.7 | 26.7 | 778.7 | | | | | |
| 108" | 102.5 | 961.3 | 85.5 | 961.3 | 73.2 | 961.3 | 64.1 | 961.3 | 57.0 | 961.3 | 51.3 | 961.3 | 46.6 | 961.3 | 42.7 | 961.3 | 39.4 | 961.3 | 36.6 | 961.3 | 34.2 | 961.3 | 32.0 | 961.3 | |
| 96" | 120.0 | 1000.0 | 120.0 | 1200.0 | 104.3 | 1216.7 | 91.3 | 1216.7 | 81.1 | 1216.7 | 73.0 | 1216.7 | 66.4 | 1216.7 | 60.8 | 1216.7 | 55.2 | 1196.0 | 45.7 | 1066.3 | 38.2 | 955.0 | 32.2 | 858.7 | |
| 84" | 120.0 | 875.0 | 120.0 | 1050.0 | 120.0 | 1225.0 | 120.0 | 1400.0 | 112.3 | 1473.5 | 101.0 | 1473.5 | 83.1 | 1333.1 | 67.3 | 1177.8 | 55.2 | 1046.5 | 45.7 | 933.0 | 38.2 | 835.6 | 32.2 | 751.3 | |
| 72" | 120.0 | 750.0 | 120.0 | 900.0 | 120.0 | 1050.0 | 120.0 | 1200.0 | 120.0 | 1350.0 | 104.2 | 1302.5 | 83.1 | 1142.6 | 67.3 | 1009.5 | 55.2 | 897.0 | 45.7 | 799.8 | 38.2 | 716.3 | 32.2 | 644.0 | |
| 60" | 120.0 | 625.0 | 120.0 | 750.0 | 120.0 | 875.0 | 120.0 | 1000.0 | 120.0 | 1125.0 | 104.2 | 1085.4 | 83.1 | 952.2 | 67.3 | 841.3 | 55.2 | 747.5 | 45.7 | 666.5 | 38.2 | 596.9 | 32.2 | 536.7 | |
| 48" | 120.0 | 500.0 | 120.0 | 600.0 | 120.0 | 700.0 | 120.0 | 800.0 | 120.0 | 900.0 | 104.2 | 868.3 | 83.1 | 761.8 | 67.3 | 673.0 | 55.2 | 598.0 | 45.7 | 533.2 | 38.2 | 477.5 | 32.2 | 429.3 | |
| 36" | 120.0 | 375.0 | 120.0 | 450.0 | 120.0 | 525.0 | 120.0 | 600.0 | 120.0 | 675.0 | 104.2 | 651.3 | 83.1 | 571.3 | 67.3 | 504.8 | 55.2 | 448.5 | 45.7 | 399.9 | 38.2 | 358.1 | 32.2 | 322.0 | |

STORM BAR AND MULLION SCHEDULE: 2"x5"x1/4"

| MEMBER LENGTH | SLAT SPAN | | | | | | | | | | | | | | | | | | | | | | | |
|---------------|-----------------------|------------------------|-----------------------|------------------------|-----------------------|------------------------|-----------------------|------------------------|-----------------------|------------------------|-----------------------|------------------------|-----------------------|------------------------|-----------------------|------------------------|-----------------------|------------------------|-----------------------|------------------------|-----------------------|------------------------|-----------------------|------------------------|
| | 25" | | 30" | | 35" | | 40" | | 45" | | 50" | | 55" | | 60" | | 65" | | 70" | | 75" | | 80" | |
| | DESIGN PRESSURE (PSF) | REACTION AT ENDS (LBS) | DESIGN PRESSURE (PSF) | REACTION AT ENDS (LBS) | DESIGN PRESSURE (PSF) | REACTION AT ENDS (LBS) | DESIGN PRESSURE (PSF) | REACTION AT ENDS (LBS) | DESIGN PRESSURE (PSF) | REACTION AT ENDS (LBS) | DESIGN PRESSURE (PSF) | REACTION AT ENDS (LBS) | DESIGN PRESSURE (PSF) | REACTION AT ENDS (LBS) | DESIGN PRESSURE (PSF) | REACTION AT ENDS (LBS) | DESIGN PRESSURE (PSF) | REACTION AT ENDS (LBS) | DESIGN PRESSURE (PSF) | REACTION AT ENDS (LBS) | DESIGN PRESSURE (PSF) | REACTION AT ENDS (LBS) | DESIGN PRESSURE (PSF) | REACTION AT ENDS (LBS) |
| 120" | 120.0 | 1250.0 | 113.0 | 1412.9 | 96.9 | 1412.9 | 84.8 | 1412.9 | 75.4 | 1412.9 | 67.8 | 1412.9 | 61.7 | 1412.9 | 56.5 | 1412.9 | 52.2 | 1412.9 | 45.7 | 1332.9 | 38.2 | 1193.8 | 32.2 | 1073.3 |
| 108" | 120.0 | 1125.0 | 120.0 | 1350.0 | 120.0 | 1575.0 | 116.3 | 1744.3 | 103.4 | 1744.3 | 93.0 | 1744.3 | 83.1 | 1713.9 | 67.3 | 1514.3 | 55.2 | 1345.5 | 45.7 | 1199.6 | 38.2 | 1074.4 | 32.2 | 966.0 |
| 96" | 120.0 | 1000.0 | 120.0 | 1200.0 | 120.0 | 1400.0 | 120.0 | 1600.0 | 120.0 | 1800.0 | 104.2 | 1736.7 | 83.1 | 1523.5 | 67.3 | 1346.0 | 55.2 | 1196.0 | 45.7 | 1066.3 | 38.2 | 955.0 | 32.2 | 858.7 |
| 84" | 120.0 | 875.0 | 120.0 | 1050.0 | 120.0 | 1225.0 | 120.0 | 1400.0 | 120.0 | 1575.0 | 104.2 | 1519.6 | 83.1 | 1333.1 | 67.3 | 1177.8 | 55.2 | 1046.5 | 45.7 | 933.0 | 38.2 | 835.6 | 32.2 | 751.3 |
| 72" | 120.0 | 750.0 | 120.0 | 900.0 | 120.0 | 1050.0 | 120.0 | 1200.0 | 120.0 | 1350.0 | 104.2 | 1302.5 | 83.1 | 1142.6 | 67.3 | 1009.5 | 55.2 | 897.0 | 45.7 | 799.8 | 38.2 | 716.3 | 32.2 | 644.0 |
| 60" | 120.0 | 625.0 | 120.0 | 750.0 | 120.0 | 875.0 | 120.0 | 1000.0 | 120.0 | 1125.0 | 104.2 | 1085.4 | 83.1 | 952.2 | 67.3 | 841.3 | 55.2 | 747.5 | 45.7 | 666.5 | 38.2 | 596.9 | 32.2 | 536.7 |
| 48" | 120.0 | 500.0 | 120.0 | 600.0 | 120.0 | 700.0 | 120.0 | 800.0 | 120.0 | 900.0 | 104.2 | 868.3 | 83.1 | 761.8 | 67.3 | 673.0 | 55.2 | 598.0 | 45.7 | 533.2 | 38.2 | 477.5 | 32.2 | 429.3 |
| 36" | 120.0 | 375.0 | 120.0 | 450.0 | 120.0 | 525.0 | 120.0 | 600.0 | 120.0 | 675.0 | 104.2 | 651.3 | 83.1 | 571.3 | 67.3 | 504.8 | 55.2 | 448.5 | 45.7 | 399.9 | 38.2 | 358.1 | 32.2 | 322.0 |

SEE SHEET 7 FOR STORM BAR AND MULLION SCHEDULE NOTES.

FRANK BENNARDO, PE
PE# 0046549 CA#9885



ENGINEERING EXPRESS
CORPORATE OFFICE:
160 SW 12th AVE, SUITE 106
DEERFIELD BEACH, FL 33442
(954) 354-0660 | (866) 396-9999
TEAM@ENGINEERINGEXPRESS.COM
ENGINEERINGEXPRESS.COM

Town & Country INDUSTRIES
Wholesale Aluminum and Building Products
A Division of ABC Supply Co., Inc.
400 WEST MCNAB ROAD
FT. LAUDERDALE, FL 33309
FL14235.3

| REMARKS | DRWN | CHKD | DATE |
|------------|------|------|---------|
| INIT ISSUE | KL | FLB | 4/25/14 |
| 2014 FBC | RWN | CSL | 4/08/15 |
| 2017 FBC | RWN | FLB | 8/07/17 |
| 2020 FBC | CCB | RWN | 6/30/20 |

THIS DOCUMENT IS THE PROPERTY OF FRANK L. BENNARDO, P.E. AND SHALL NOT BE REPRODUCED IN WHOLE OR PART WITHOUT WRITTEN CONSENT OF FRANK L. BENNARDO, P.E. - ALTERATIONS, ADDITIONS, HIGHLIGHTING OR OTHER MARKINGS TO THIS DOCUMENT ARE NOT PERMITTED AND INVALIDATE OUR CERTIFICATION.

COPYRIGHT FRANK L. BENNARDO P.E.

20-26189b

SCALE: -

PAGE DESCRIPTION:

OF 15

3

STORM BAR AND MULLION SCHEDULE: 2"x6"x1/8"

| MEMBER LENGTH | SLAT SPAN | | | | | | | | | | | | | | | | | | | | | | | |
|---------------|-----------------------|------------------------|-----------------------|------------------------|-----------------------|------------------------|-----------------------|------------------------|-----------------------|------------------------|-----------------------|------------------------|-----------------------|------------------------|-----------------------|------------------------|-----------------------|------------------------|-----------------------|------------------------|-----------------------|------------------------|-----------------------|------------------------|
| | 25" | | 30" | | 35" | | 40" | | 45" | | 50" | | 55" | | 60" | | 65" | | 70" | | 75" | | 80" | |
| | DESIGN PRESSURE (PSF) | REACTION AT ENDS (LBS) | DESIGN PRESSURE (PSF) | REACTION AT ENDS (LBS) | DESIGN PRESSURE (PSF) | REACTION AT ENDS (LBS) | DESIGN PRESSURE (PSF) | REACTION AT ENDS (LBS) | DESIGN PRESSURE (PSF) | REACTION AT ENDS (LBS) | DESIGN PRESSURE (PSF) | REACTION AT ENDS (LBS) | DESIGN PRESSURE (PSF) | REACTION AT ENDS (LBS) | DESIGN PRESSURE (PSF) | REACTION AT ENDS (LBS) | DESIGN PRESSURE (PSF) | REACTION AT ENDS (LBS) | DESIGN PRESSURE (PSF) | REACTION AT ENDS (LBS) | DESIGN PRESSURE (PSF) | REACTION AT ENDS (LBS) | DESIGN PRESSURE (PSF) | REACTION AT ENDS (LBS) |
| 120" | 118.9 | 1238.3 | 99.1 | 1238.3 | 84.9 | 1238.3 | 74.3 | 1238.3 | 66.0 | 1238.3 | 59.4 | 1238.3 | 54.0 | 1238.3 | 49.5 | 1238.3 | 45.7 | 1238.3 | 42.5 | 1238.3 | 38.2 | 1193.8 | 32.2 | 1073.3 |
| 108" | 120.0 | 1125.0 | 120.0 | 1350.0 | 113.1 | 1484.0 | 98.9 | 1484.0 | 87.9 | 1484.0 | 79.1 | 1484.0 | 72.0 | 1484.0 | 66.0 | 1484.0 | 55.2 | 1345.5 | 45.7 | 1199.6 | 38.2 | 1074.4 | 32.2 | 966.0 |
| 96" | 120.0 | 1000.0 | 120.0 | 1200.0 | 120.0 | 1400.0 | 120.0 | 1600.0 | 112.3 | 1684.1 | 101.0 | 1684.1 | 83.1 | 1523.5 | 67.3 | 1346.0 | 55.2 | 1196.0 | 45.7 | 1066.3 | 38.2 | 955.0 | 32.2 | 858.7 |
| 84" | 120.0 | 875.0 | 120.0 | 1050.0 | 120.0 | 1225.0 | 120.0 | 1400.0 | 120.0 | 1575.0 | 104.2 | 1519.6 | 83.1 | 1333.1 | 67.3 | 1177.8 | 55.2 | 1046.5 | 45.7 | 933.0 | 38.2 | 835.6 | 32.2 | 751.3 |
| 72" | 120.0 | 750.0 | 120.0 | 900.0 | 120.0 | 1050.0 | 120.0 | 1200.0 | 120.0 | 1350.0 | 104.2 | 1302.5 | 83.1 | 1142.6 | 67.3 | 1009.5 | 55.2 | 897.0 | 45.7 | 799.8 | 38.2 | 716.3 | 32.2 | 644.0 |
| 60" | 120.0 | 625.0 | 120.0 | 750.0 | 120.0 | 875.0 | 120.0 | 1000.0 | 120.0 | 1125.0 | 104.2 | 1085.4 | 83.1 | 952.2 | 67.3 | 841.3 | 55.2 | 747.5 | 45.7 | 666.5 | 38.2 | 596.9 | 32.2 | 536.7 |
| 48" | 120.0 | 500.0 | 120.0 | 600.0 | 120.0 | 700.0 | 120.0 | 800.0 | 120.0 | 900.0 | 104.2 | 868.3 | 83.1 | 761.8 | 67.3 | 673.0 | 55.2 | 598.0 | 45.7 | 533.2 | 38.2 | 477.5 | 32.2 | 429.3 |

STORM BAR AND MULLION SCHEDULE: 2"x6"x1/4"

| MEMBER LENGTH | SLAT SPAN | | | | | | | | | | | | | | | | | | | | | | | |
|---------------|-----------------------|------------------------|-----------------------|------------------------|-----------------------|------------------------|-----------------------|------------------------|-----------------------|------------------------|-----------------------|------------------------|-----------------------|------------------------|-----------------------|------------------------|-----------------------|------------------------|-----------------------|------------------------|-----------------------|------------------------|-----------------------|------------------------|
| | 25" | | 30" | | 35" | | 40" | | 45" | | 50" | | 55" | | 60" | | 65" | | 70" | | 75" | | 80" | |
| | DESIGN PRESSURE (PSF) | REACTION AT ENDS (LBS) | DESIGN PRESSURE (PSF) | REACTION AT ENDS (LBS) | DESIGN PRESSURE (PSF) | REACTION AT ENDS (LBS) | DESIGN PRESSURE (PSF) | REACTION AT ENDS (LBS) | DESIGN PRESSURE (PSF) | REACTION AT ENDS (LBS) | DESIGN PRESSURE (PSF) | REACTION AT ENDS (LBS) | DESIGN PRESSURE (PSF) | REACTION AT ENDS (LBS) | DESIGN PRESSURE (PSF) | REACTION AT ENDS (LBS) | DESIGN PRESSURE (PSF) | REACTION AT ENDS (LBS) | DESIGN PRESSURE (PSF) | REACTION AT ENDS (LBS) | DESIGN PRESSURE (PSF) | REACTION AT ENDS (LBS) | DESIGN PRESSURE (PSF) | REACTION AT ENDS (LBS) |
| 228" | 31.8 | 630.1 | 26.5 | 630.1 | | | | | | | | | | | | | | | | | | | | |
| 216" | 37.4 | 702.1 | 31.2 | 702.1 | 26.7 | 702.1 | | | | | | | | | | | | | | | | | | |
| 204" | 44.5 | 787.1 | 37.0 | 787.1 | 31.8 | 787.1 | 27.8 | 787.1 | | | | | | | | | | | | | | | | |
| 192" | 53.3 | 888.6 | 44.4 | 888.6 | 38.1 | 888.6 | 33.3 | 888.6 | 29.6 | 888.6 | 26.7 | 888.6 | | | | | | | | | | | | |
| 180" | 64.7 | 1011.0 | 53.9 | 1011.0 | 46.2 | 1011.0 | 40.4 | 1011.0 | 35.9 | 1011.0 | 32.4 | 1011.0 | 29.4 | 1011.0 | 27.0 | 1011.0 | | | | | | | | |
| 168" | 79.6 | 1160.6 | 66.3 | 1160.6 | 56.8 | 1160.6 | 49.7 | 1160.6 | 44.2 | 1160.6 | 39.8 | 1160.6 | 36.2 | 1160.6 | 33.2 | 1160.6 | 30.6 | 1160.6 | 28.4 | 1160.6 | 26.5 | 1160.6 | | |
| 156" | 99.4 | 1346.1 | 82.8 | 1346.1 | 71.0 | 1346.1 | 62.1 | 1346.1 | 55.2 | 1346.1 | 49.7 | 1346.1 | 45.2 | 1346.1 | 41.4 | 1346.1 | 38.2 | 1346.1 | 35.5 | 1346.1 | 33.1 | 1346.1 | 31.1 | 1346.1 |
| 144" | 120.0 | 1500.0 | 105.3 | 1579.7 | 90.3 | 1579.7 | 79.0 | 1579.7 | 70.2 | 1579.7 | 63.2 | 1579.7 | 57.4 | 1579.7 | 52.7 | 1579.7 | 48.6 | 1579.7 | 45.1 | 1579.7 | 38.2 | 1432.5 | 32.2 | 1288.0 |
| 132" | 120.0 | 1375.0 | 120.0 | 1650.0 | 117.2 | 1880.0 | 102.5 | 1880.0 | 91.2 | 1880.0 | 82.0 | 1880.0 | 74.6 | 1880.0 | 67.3 | 1850.8 | 55.2 | 1644.5 | 45.7 | 1466.2 | 38.2 | 1313.1 | 32.2 | 1180.7 |
| 120" | 120.0 | 1250.0 | 120.0 | 1500.0 | 120.0 | 1750.0 | 120.0 | 2000.0 | 120.0 | 2250.0 | 104.2 | 2170.8 | 83.1 | 1904.4 | 67.3 | 1682.5 | 55.2 | 1495.0 | 45.7 | 1332.9 | 38.2 | 1193.8 | 32.2 | 1073.3 |
| 108" | 120.0 | 1125.0 | 120.0 | 1350.0 | 120.0 | 1575.0 | 120.0 | 1800.0 | 120.0 | 2025.0 | 104.2 | 1953.8 | 83.1 | 1713.9 | 67.3 | 1514.3 | 55.2 | 1345.5 | 45.7 | 1199.6 | 38.2 | 1074.4 | 32.2 | 966.0 |
| 96" | 120.0 | 1000.0 | 120.0 | 1200.0 | 120.0 | 1400.0 | 120.0 | 1600.0 | 120.0 | 1800.0 | 104.2 | 1736.7 | 83.1 | 1523.5 | 67.3 | 1346.0 | 55.2 | 1196.0 | 45.7 | 1066.3 | 38.2 | 955.0 | 32.2 | 858.7 |

STORM BAR AND MULLION SCHEDULE: 3"x3"x1/8"

| MEMBER LENGTH | SLAT SPAN | | | | | | | | | | | | | | | | | | | | | | | |
|---------------|-----------------------|------------------------|-----------------------|------------------------|-----------------------|------------------------|-----------------------|------------------------|-----------------------|------------------------|-----------------------|------------------------|-----------------------|------------------------|-----------------------|------------------------|-----------------------|------------------------|-----------------------|------------------------|-----------------------|------------------------|-----------------------|------------------------|
| | 25" | | 30" | | 35" | | 40" | | 45" | | 50" | | 55" | | 60" | | 65" | | 70" | | 75" | | 80" | |
| | DESIGN PRESSURE (PSF) | REACTION AT ENDS (LBS) | DESIGN PRESSURE (PSF) | REACTION AT ENDS (LBS) | DESIGN PRESSURE (PSF) | REACTION AT ENDS (LBS) | DESIGN PRESSURE (PSF) | REACTION AT ENDS (LBS) | DESIGN PRESSURE (PSF) | REACTION AT ENDS (LBS) | DESIGN PRESSURE (PSF) | REACTION AT ENDS (LBS) | DESIGN PRESSURE (PSF) | REACTION AT ENDS (LBS) | DESIGN PRESSURE (PSF) | REACTION AT ENDS (LBS) | DESIGN PRESSURE (PSF) | REACTION AT ENDS (LBS) | DESIGN PRESSURE (PSF) | REACTION AT ENDS (LBS) | DESIGN PRESSURE (PSF) | REACTION AT ENDS (LBS) | DESIGN PRESSURE (PSF) | REACTION AT ENDS (LBS) |
| 120" | 28.5 | 296.9 | | | | | | | | | | | | | | | | | | | | | | |
| 108" | 39.1 | 366.5 | 32.6 | 366.5 | 27.9 | 366.5 | | | | | | | | | | | | | | | | | | |
| 96" | 55.7 | 463.9 | 46.4 | 463.9 | 39.8 | 463.9 | 34.8 | 463.9 | 30.9 | 463.9 | 27.8 | 463.9 | 25.3 | 463.9 | | | | | | | | | | |
| 84" | 83.1 | 605.9 | 69.2 | 605.9 | 59.3 | 605.9 | 51.9 | 605.9 | 46.2 | 605.9 | 41.5 | 605.9 | 37.8 | 605.9 | 34.6 | 605.9 | 32.0 | 605.9 | 29.7 | 605.9 | 27.7 | 605.9 | 26.0 | 605.9 |
| 72" | 120.0 | 750.0 | 110.0 | 824.6 | 94.2 | 824.6 | 82.5 | 824.6 | 73.3 | 824.6 | 66.0 | 824.6 | 60.0 | 824.6 | 55.0 | 824.6 | 50.7 | 824.6 | 45.7 | 799.8 | 38.2 | 716.3 | 32.2 | 644.0 |
| 60" | 120.0 | 625.0 | 120.0 | 750.0 | 120.0 | 875.0 | 120.0 | 1000.0 | 120.0 | 1125.0 | 104.2 | 1085.4 | 83.1 | 952.2 | 67.3 | 841.3 | 55.2 | 747.5 | 45.7 | 666.5 | 38.2 | 596.9 | 32.2 | 536.7 |
| 48" | 120.0 | 500.0 | 120.0 | 600.0 | 120.0 | 700.0 | 120.0 | 800.0 | 120.0 | 900.0 | 104.2 | 868.3 | 83.1 | 761.8 | 67.3 | 673.0 | 55.2 | 598.0 | 45.7 | 533.2 | 38.2 | 477.5 | 32.2 | 429.3 |

STORM BAR AND MULLION SCHEDULE: 3"x3"x1/4"

| MEMBER LENGTH | SLAT SPAN | | | | | | | | | | | | | | | | | | | | | | | |
|---------------|-----------------------|------------------------|-----------------------|------------------------|-----------------------|------------------------|-----------------------|------------------------|-----------------------|------------------------|-----------------------|------------------------|-----------------------|------------------------|-----------------------|------------------------|-----------------------|------------------------|-----------------------|------------------------|-----------------------|------------------------|-----------------------|------------------------|
| | 25" | | 30" | | 35" | | 40" | | 45" | | 50" | | 55" | | 60" | | 65" | | 70" | | 75" | | 80" | |
| | DESIGN PRESSURE (PSF) | REACTION AT ENDS (LBS) | DESIGN PRESSURE (PSF) | REACTION AT ENDS (LBS) | DESIGN PRESSURE (PSF) | REACTION AT ENDS (LBS) | DESIGN PRESSURE (PSF) | REACTION AT ENDS (LBS) | DESIGN PRESSURE (PSF) | REACTION AT ENDS (LBS) | DESIGN PRESSURE (PSF) | REACTION AT ENDS (LBS) | DESIGN PRESSURE (PSF) | REACTION AT ENDS (LBS) | DESIGN PRESSURE (PSF) | REACTION AT ENDS (LBS) | DESIGN PRESSURE (PSF) | REACTION AT ENDS (LBS) | DESIGN PRESSURE (PSF) | REACTION AT ENDS (LBS) | DESIGN PRESSURE (PSF) | REACTION AT ENDS (LBS) | DESIGN PRESSURE (PSF) | REACTION AT ENDS (LBS) |
| 120" | 50.2 | 522.9 | 41.8 | 522.9 | 35.9 | 522.9 | 31.4 | 522.9 | 27.9 | 522.9 | 25.1 | 522.9 | | | | | | | | | | | | |
| 108" | 68.9 | 645.6 | 57.4 | 645.6 | 49.2 | 645.6 | 43.0 | 645.6 | 38.3 | 645.6 | 34.4 | 645.6 | 31.3 | 645.6 | 28.7 | 645.6 | 26.5 | 645.6 | | | | | | |
| 96" | 98.0 | 817.1 | 81.7 | 817.1 | 70.0 | 817.1 | 61.3 | 817.1 | 54.5 | 817.1 | 49.0 | 817.1 | 44.6 | 817.1 | 40.9 | 817.1 | 37.7 | 817.1 | 35.0 | 817.1 | 32.7 | 817.1 | 30.6 | 817.1 |
| 84" | 120.0 | 875.0 | 120.0 | 1050.0 | 104.5 | 1067.2 | 91.5 | 1067.2 | 81.3 | 1067.2 | 73.2 | 1067.2 | 66.5 | 1067.2 | 61.0 | 1067.2 | 55.2 | 1046.5 | 45.7 | 933.0 | 38.2 | 835.6 | 32.2 | 751.3 |
| 72" | 120.0 | 750.0 | 120.0 | 900.0 | 120.0 | 1050.0 | 120.0 | 1200.0 | 120.0 | 1350.0 | 104.2 | 1302.5 | 83.1 | 1142.6 | 67.3 | 1009.5 | 55.2 | 897.0 | 45.7 | 799.8 | 38.2 | 716.3 | 32.2 | 644.0 |
| 60" | 120.0 | 625.0 | 120.0 | 750.0 | 120.0 | 875.0 | 120.0 | 1000.0 | 120.0 | 1125.0 | 104.2 | 1085.4 | 83.1 | 952.2 | 67.3 | 841.3 | 55.2 | 747.5 | 45.7 | 666.5 | 38.2 | 596.9 | 32.2 | 536.7 |
| 48" | 120.0 | 500.0 | 120.0 | 600.0 | 120.0 | 700.0 | 120.0 | 800.0 | 120.0 | 900.0 | 104.2 | 868.3 | 83.1 | 761.8 | 67.3 | 673.0 | 55.2 | 598.0 | 45.7 | 533.2 | 38.2 | 477.5 | 32.2 | 429.3 |

SEE SHEET 7 FOR STORM BAR AND MULLION SCHEDULE NOTES.



ENGINEERING EXPRESS
 CORPORATE OFFICE:
 160 SW 12th AVE, SUITE 106
 DEERFIELD BEACH, FL 33442
 (954) 354-0660 | (866) 396-9999
 TEAM@ENGINEERINGEXPRESS.COM
 ENGINEERINGEXPRESS.COM

Town & Country INDUSTRIES
 Wholesale Aluminum and Building Products
 A Division of ABC Supply Co., Inc.
 400 WEST MCNAB ROAD
 FT. LAUDERDALE, FL 33309
 FL14235.3

| DRWN | CHKD | DATE |
|------|------|---------|
| KL | FLB | 4/25/14 |
| RWN | CSL | 4/08/15 |
| RWN | FLB | 8/07/17 |
| CCB | RWN | 6/30/20 |

REMARKS:
 INIT ISSUE
 2014 FBC
 2017 FBC
 2020 FBC

THIS DOCUMENT IS THE PROPERTY OF FRANK L. BENARDO, P.E. AND SHALL NOT BE REPRODUCED IN WHOLE OR PART WITHOUT WRITTEN CONSENT OF FRANK L. BENARDO, P.E. *ALTERATIONS, ADDITIONS, HIGHLIGHTING OR OTHER MARKINGS TO THIS DOCUMENT ARE NOT PERMITTED AND INVALIDATE OUR CERTIFICATION.

COPYRIGHT FRANK L. BENARDO P.E.
20-26189b
 SCALE: -
 PAGE DESCRIPTION: -

STORM BAR AND MULLION SCHEDULE: 4"x4"x1/8"

| MEMBER LENGTH | SLAT SPAN | | | | | | | | | | | | | | | | | | | | | | | |
|---------------|-----------------------|------------------------|-----------------------|------------------------|-----------------------|------------------------|-----------------------|------------------------|-----------------------|------------------------|-----------------------|------------------------|-----------------------|------------------------|-----------------------|------------------------|-----------------------|------------------------|-----------------------|------------------------|-----------------------|------------------------|-----------------------|------------------------|
| | 25" | | 30" | | 35" | | 40" | | 45" | | 50" | | 55" | | 60" | | 65" | | 70" | | 75" | | 80" | |
| | DESIGN PRESSURE (PSF) | REACTION AT ENDS (LBS) | DESIGN PRESSURE (PSF) | REACTION AT ENDS (LBS) | DESIGN PRESSURE (PSF) | REACTION AT ENDS (LBS) | DESIGN PRESSURE (PSF) | REACTION AT ENDS (LBS) | DESIGN PRESSURE (PSF) | REACTION AT ENDS (LBS) | DESIGN PRESSURE (PSF) | REACTION AT ENDS (LBS) | DESIGN PRESSURE (PSF) | REACTION AT ENDS (LBS) | DESIGN PRESSURE (PSF) | REACTION AT ENDS (LBS) | DESIGN PRESSURE (PSF) | REACTION AT ENDS (LBS) | DESIGN PRESSURE (PSF) | REACTION AT ENDS (LBS) | DESIGN PRESSURE (PSF) | REACTION AT ENDS (LBS) | DESIGN PRESSURE (PSF) | REACTION AT ENDS (LBS) |
| 120" | 69.7 | 726.3 | 58.1 | 726.3 | 49.8 | 726.3 | 43.6 | 726.3 | 38.7 | 726.3 | 34.9 | 726.3 | 31.7 | 726.3 | 29.1 | 726.3 | 26.8 | 726.3 | | | | | | |
| 108" | 95.6 | 896.6 | 79.7 | 896.6 | 68.3 | 896.6 | 59.8 | 896.6 | 53.1 | 896.6 | 47.8 | 896.6 | 43.5 | 896.6 | 39.9 | 896.6 | 36.8 | 896.6 | 34.2 | 896.6 | 31.9 | 896.6 | 29.9 | 896.6 |
| 96" | 120.0 | 1000.0 | 113.5 | 1134.8 | 97.3 | 1134.8 | 85.1 | 1134.8 | 75.7 | 1134.8 | 68.1 | 1134.8 | 61.9 | 1134.8 | 56.7 | 1134.8 | 52.4 | 1134.8 | 45.7 | 1066.3 | 38.2 | 955.0 | 32.2 | 858.7 |
| 84" | 120.0 | 875.0 | 120.0 | 1050.0 | 120.0 | 1225.0 | 120.0 | 1400.0 | 112.9 | 1482.2 | 101.6 | 1482.2 | 83.1 | 1333.1 | 67.3 | 1177.8 | 55.2 | 1046.5 | 45.7 | 933.0 | 38.2 | 835.6 | 32.2 | 751.3 |
| 72" | 120.0 | 750.0 | 120.0 | 900.0 | 120.0 | 1050.0 | 120.0 | 1200.0 | 120.0 | 1350.0 | 104.2 | 1302.5 | 83.1 | 1142.6 | 67.3 | 1009.5 | 55.2 | 897.0 | 45.7 | 799.8 | 38.2 | 716.3 | 32.2 | 644.0 |
| 60" | 120.0 | 625.0 | 120.0 | 750.0 | 120.0 | 875.0 | 120.0 | 1000.0 | 120.0 | 1125.0 | 104.2 | 1085.4 | 83.1 | 952.2 | 67.3 | 841.3 | 55.2 | 747.5 | 45.7 | 666.5 | 38.2 | 596.9 | 32.2 | 536.7 |
| 48" | 120.0 | 500.0 | 120.0 | 600.0 | 120.0 | 700.0 | 120.0 | 800.0 | 120.0 | 900.0 | 104.2 | 868.3 | 83.1 | 761.8 | 67.3 | 673.0 | 55.2 | 598.0 | 45.7 | 533.2 | 38.2 | 477.5 | 32.2 | 429.3 |
| 36" | 120.0 | 375.0 | 120.0 | 450.0 | 120.0 | 525.0 | 120.0 | 600.0 | 120.0 | 675.0 | 104.2 | 651.3 | 83.1 | 571.3 | 67.3 | 504.8 | 55.2 | 448.5 | 45.7 | 399.9 | 38.2 | 358.1 | 32.2 | 322.0 |

STORM BAR AND MULLION SCHEDULE: 4"x4"x1/4"

| MEMBER LENGTH | SLAT SPAN | | | | | | | | | | | | | | | | | | | | | | | |
|---------------|-----------------------|------------------------|-----------------------|------------------------|-----------------------|------------------------|-----------------------|------------------------|-----------------------|------------------------|-----------------------|------------------------|-----------------------|------------------------|-----------------------|------------------------|-----------------------|------------------------|-----------------------|------------------------|-----------------------|------------------------|-----------------------|------------------------|
| | 25" | | 30" | | 35" | | 40" | | 45" | | 50" | | 55" | | 60" | | 65" | | 70" | | 75" | | 80" | |
| | DESIGN PRESSURE (PSF) | REACTION AT ENDS (LBS) | DESIGN PRESSURE (PSF) | REACTION AT ENDS (LBS) | DESIGN PRESSURE (PSF) | REACTION AT ENDS (LBS) | DESIGN PRESSURE (PSF) | REACTION AT ENDS (LBS) | DESIGN PRESSURE (PSF) | REACTION AT ENDS (LBS) | DESIGN PRESSURE (PSF) | REACTION AT ENDS (LBS) | DESIGN PRESSURE (PSF) | REACTION AT ENDS (LBS) | DESIGN PRESSURE (PSF) | REACTION AT ENDS (LBS) | DESIGN PRESSURE (PSF) | REACTION AT ENDS (LBS) | DESIGN PRESSURE (PSF) | REACTION AT ENDS (LBS) | DESIGN PRESSURE (PSF) | REACTION AT ENDS (LBS) | DESIGN PRESSURE (PSF) | REACTION AT ENDS (LBS) |
| 120" | 120.0 | 1250.0 | 105.7 | 1320.9 | 90.6 | 1320.9 | 79.3 | 1320.9 | 70.5 | 1320.9 | 63.4 | 1320.9 | 57.6 | 1320.9 | 52.8 | 1320.9 | 48.8 | 1320.9 | 45.3 | 1320.9 | 38.2 | 1193.8 | 32.2 | 1073.3 |
| 108" | 120.0 | 1125.0 | 120.0 | 1350.0 | 120.0 | 1575.0 | 108.7 | 1630.8 | 96.6 | 1630.8 | 87.0 | 1630.8 | 79.1 | 1630.8 | 67.3 | 1514.3 | 55.2 | 1345.5 | 45.7 | 1199.6 | 38.2 | 1074.4 | 32.2 | 966.0 |
| 96" | 120.0 | 1000.0 | 120.0 | 1200.0 | 120.0 | 1400.0 | 120.0 | 1600.0 | 120.0 | 1800.0 | 104.2 | 1736.7 | 83.1 | 1523.5 | 67.3 | 1346.0 | 55.2 | 1196.0 | 45.7 | 1066.3 | 38.2 | 955.0 | 32.2 | 858.7 |
| 84" | 120.0 | 875.0 | 120.0 | 1050.0 | 120.0 | 1225.0 | 120.0 | 1400.0 | 120.0 | 1575.0 | 104.2 | 1519.6 | 83.1 | 1333.1 | 67.3 | 1177.8 | 55.2 | 1046.5 | 45.7 | 933.0 | 38.2 | 835.6 | 32.2 | 751.3 |
| 72" | 120.0 | 750.0 | 120.0 | 900.0 | 120.0 | 1050.0 | 120.0 | 1200.0 | 120.0 | 1350.0 | 104.2 | 1302.5 | 83.1 | 1142.6 | 67.3 | 1009.5 | 55.2 | 897.0 | 45.7 | 799.8 | 38.2 | 716.3 | 32.2 | 644.0 |
| 60" | 120.0 | 625.0 | 120.0 | 750.0 | 120.0 | 875.0 | 120.0 | 1000.0 | 120.0 | 1125.0 | 104.2 | 1085.4 | 83.1 | 952.2 | 67.3 | 841.3 | 55.2 | 747.5 | 45.7 | 666.5 | 38.2 | 596.9 | 32.2 | 536.7 |
| 48" | 120.0 | 500.0 | 120.0 | 600.0 | 120.0 | 700.0 | 120.0 | 800.0 | 120.0 | 900.0 | 104.2 | 868.3 | 83.1 | 761.8 | 67.3 | 673.0 | 55.2 | 598.0 | 45.7 | 533.2 | 38.2 | 477.5 | 32.2 | 429.3 |

STORM BAR AND MULLION SCHEDULE: 4"x6"x1/4"

| MEMBER LENGTH | SLAT SPAN | | | | | | | | | | | | | | | | | | | | | | | | | |
|---------------|-----------------------|------------------------|-----------------------|------------------------|-----------------------|------------------------|-----------------------|------------------------|-----------------------|------------------------|-----------------------|------------------------|-----------------------|------------------------|-----------------------|------------------------|-----------------------|------------------------|-----------------------|------------------------|-----------------------|------------------------|-----------------------|------------------------|--|--|
| | 25" | | 30" | | 35" | | 40" | | 45" | | 50" | | 55" | | 60" | | 65" | | 70" | | 75" | | 80" | | | |
| | DESIGN PRESSURE (PSF) | REACTION AT ENDS (LBS) | DESIGN PRESSURE (PSF) | REACTION AT ENDS (LBS) | DESIGN PRESSURE (PSF) | REACTION AT ENDS (LBS) | DESIGN PRESSURE (PSF) | REACTION AT ENDS (LBS) | DESIGN PRESSURE (PSF) | REACTION AT ENDS (LBS) | DESIGN PRESSURE (PSF) | REACTION AT ENDS (LBS) | DESIGN PRESSURE (PSF) | REACTION AT ENDS (LBS) | DESIGN PRESSURE (PSF) | REACTION AT ENDS (LBS) | DESIGN PRESSURE (PSF) | REACTION AT ENDS (LBS) | DESIGN PRESSURE (PSF) | REACTION AT ENDS (LBS) | DESIGN PRESSURE (PSF) | REACTION AT ENDS (LBS) | DESIGN PRESSURE (PSF) | REACTION AT ENDS (LBS) | | |
| 228" | 49.2 | 973.0 | 41.0 | 973.0 | 35.1 | 973.0 | 30.7 | 973.0 | 27.3 | 973.0 | | | | | | | | | | | | | | | | |
| 216" | 57.8 | 1084.1 | 48.2 | 1084.1 | 41.3 | 1084.1 | 36.1 | 1084.1 | 32.1 | 1084.1 | 28.9 | 1084.1 | 26.3 | 1084.1 | | | | | | | | | | | | |
| 204" | 68.6 | 1215.4 | 57.2 | 1215.4 | 49.0 | 1215.4 | 42.9 | 1215.4 | 38.1 | 1215.4 | 34.3 | 1215.4 | 31.2 | 1215.4 | 28.6 | 1215.4 | 26.4 | 1215.4 | | | | | | | | |
| 192" | 82.3 | 1372.0 | 68.6 | 1372.0 | 58.8 | 1372.0 | 51.5 | 1372.0 | 45.7 | 1372.0 | 41.2 | 1372.0 | 37.4 | 1372.0 | 34.3 | 1372.0 | 31.7 | 1372.0 | 29.4 | 1372.0 | 27.4 | 1372.0 | 25.7 | 1372.0 | | |
| 180" | 99.9 | 1561.1 | 83.3 | 1561.1 | 71.4 | 1561.1 | 62.4 | 1561.1 | 55.5 | 1561.1 | 50.0 | 1561.1 | 45.4 | 1561.1 | 41.6 | 1561.1 | 38.4 | 1561.1 | 35.7 | 1561.1 | 33.3 | 1561.1 | 31.2 | 1561.1 | | |
| 168" | 120.0 | 1750.0 | 102.4 | 1792.0 | 87.8 | 1792.0 | 76.8 | 1792.0 | 68.3 | 1792.0 | 61.4 | 1792.0 | 55.9 | 1792.0 | 51.2 | 1792.0 | 47.3 | 1792.0 | 43.9 | 1792.0 | 38.2 | 1671.3 | 32.2 | 1502.7 | | |
| 156" | 120.0 | 1625.0 | 120.0 | 1950.0 | 109.6 | 2078.3 | 95.9 | 2078.3 | 85.3 | 2078.3 | 76.7 | 2078.3 | 69.8 | 2078.3 | 63.9 | 2078.3 | 55.2 | 1943.5 | 45.7 | 1732.8 | 38.2 | 1551.9 | 32.2 | 1395.3 | | |
| 144" | 120.0 | 1500.0 | 120.0 | 1800.0 | 120.0 | 2100.0 | 120.0 | 2400.0 | 108.4 | 2439.2 | 97.6 | 2439.2 | 83.1 | 2285.3 | 67.3 | 2019.0 | 55.2 | 1794.0 | 45.7 | 1599.5 | 38.2 | 1432.5 | 32.2 | 1288.0 | | |
| 132" | 120.0 | 1375.0 | 120.0 | 1650.0 | 120.0 | 1925.0 | 120.0 | 2200.0 | 120.0 | 2475.0 | 104.2 | 2387.9 | 83.1 | 2094.8 | 67.3 | 1850.8 | 55.2 | 1644.5 | 45.7 | 1466.2 | 38.2 | 1313.1 | 32.2 | 1180.7 | | |
| 120" | 120.0 | 1250.0 | 120.0 | 1500.0 | 120.0 | 1750.0 | 120.0 | 2000.0 | 120.0 | 2250.0 | 104.2 | 2170.8 | 83.1 | 1904.4 | 67.3 | 1682.5 | 55.2 | 1495.0 | 45.7 | 1332.9 | 38.2 | 1193.8 | 32.2 | 1073.3 | | |
| 108" | 120.0 | 1125.0 | 120.0 | 1350.0 | 120.0 | 1575.0 | 120.0 | 1800.0 | 120.0 | 2025.0 | 104.2 | 1953.8 | 83.1 | 1713.9 | 67.3 | 1514.3 | 55.2 | 1345.5 | 45.7 | 1199.6 | 38.2 | 1074.4 | 32.2 | 966.0 | | |
| 96" | 120.0 | 1000.0 | 120.0 | 1200.0 | 120.0 | 1400.0 | 120.0 | 1600.0 | 120.0 | 1800.0 | 104.2 | 1736.7 | 83.1 | 1523.5 | 67.3 | 1346.0 | 55.2 | 1196.0 | 45.7 | 1066.3 | 38.2 | 955.0 | 32.2 | 858.7 | | |
| 84" | 120.0 | 875.0 | 120.0 | 1050.0 | 120.0 | 1225.0 | 120.0 | 1400.0 | 120.0 | 1575.0 | 104.2 | 1519.6 | 83.1 | 1333.1 | 67.3 | 1177.8 | 55.2 | 1046.5 | 45.7 | 933.0 | 38.2 | 835.6 | 32.2 | 751.3 | | |
| 72" | 120.0 | 750.0 | 120.0 | 900.0 | 120.0 | 1050.0 | 120.0 | 1200.0 | 120.0 | 1350.0 | 104.2 | 1302.5 | 83.1 | 1142.6 | 67.3 | 1009.5 | 55.2 | 897.0 | 45.7 | 799.8 | 38.2 | 716.3 | 32.2 | 644.0 | | |
| 60" | 120.0 | 625.0 | 120.0 | 750.0 | 120.0 | 875.0 | 120.0 | 1000.0 | 120.0 | 1125.0 | 104.2 | 1085.4 | 83.1 | 952.2 | 67.3 | 841.3 | 55.2 | 747.5 | 45.7 | 666.5 | 38.2 | 596.9 | 32.2 | 536.7 | | |
| 48" | 120.0 | 500.0 | 120.0 | 600.0 | 120.0 | 700.0 | 120.0 | 800.0 | 120.0 | 900.0 | 104.2 | 868.3 | 83.1 | 761.8 | 67.3 | 673.0 | 55.2 | 598.0 | 45.7 | 533.2 | 38.2 | 477.5 | 32.2 | 429.3 | | |
| 36" | 120.0 | 375.0 | 120.0 | 450.0 | 120.0 | 525.0 | 120.0 | 600.0 | 120.0 | 675.0 | 104.2 | 651.3 | 83.1 | 571.3 | 67.3 | 504.8 | 55.2 | 448.5 | 45.7 | 399.9 | 38.2 | 358.1 | 32.2 | 322.0 | | |

SEE SHEET 7 FOR STORM BAR AND MULLION SCHEDULE NOTES.

FRANK BENNARDO, PE
PE# 0046549 CA#9885



ENGINEERING EXPRESS
CORPORATE OFFICE:
160 SW 12th AVE, SUITE 106
DEERFIELD BEACH, FL 33442
(954) 354-0660 | (866) 396-9999
TEAM@ENGINEERINGEXPRESS.COM
ENGINEERINGEXPRESS.COM

Town & Country INDUSTRIES
Wholesale Aluminum and Building Products
A Division of ABC Supply Co., Inc.
400 WEST MCNAB ROAD
FT. LAUDERDALE, FL 33309
FL14235.3

| REMARKS | DRWN | CHKD | DATE |
|------------|------|------|---------|
| INIT ISSUE | KL | FLB | 4/25/14 |
| 2014 FBC | RWN | CSL | 4/08/15 |
| 2017 FBC | RWN | FLB | 8/07/17 |
| 2020 FBC | CCB | RWN | 6/30/20 |

THIS DOCUMENT IS THE PROPERTY OF FRANK L. BENNARDO, P.E. AND SHALL NOT BE REPRODUCED IN WHOLE OR PART WITHOUT WRITTEN CONSENT OF FRANK L. BENNARDO, P.E. - ALTERATIONS, ADDITIONS, HIGHLIGHTING OR OTHER MARKINGS TO THIS DOCUMENT ARE NOT PERMITTED AND INVALIDATE OUR CERTIFICATION.

COPYRIGHT FRANK L. BENNARDO P.E.

20-26189b

SCALE: -

PAGE DESCRIPTION:

STORM BAR AND MULLION SCHEDULE: 4"x8"x1/4"

| MEMBER LENGTH | SLAT SPAN | | | | | | | | | | | | | | | | | | | | | | | |
|---------------|-----------------------|------------------------|-----------------------|------------------------|-----------------------|------------------------|-----------------------|------------------------|-----------------------|------------------------|-----------------------|------------------------|-----------------------|------------------------|-----------------------|------------------------|-----------------------|------------------------|-----------------------|------------------------|-----------------------|------------------------|-----------------------|------------------------|
| | 25" | | 30" | | 35" | | 40" | | 45" | | 50" | | 55" | | 60" | | 65" | | 70" | | 75" | | 80" | |
| | DESIGN PRESSURE (PSF) | REACTION AT ENDS (LBS) | DESIGN PRESSURE (PSF) | REACTION AT ENDS (LBS) | DESIGN PRESSURE (PSF) | REACTION AT ENDS (LBS) | DESIGN PRESSURE (PSF) | REACTION AT ENDS (LBS) | DESIGN PRESSURE (PSF) | REACTION AT ENDS (LBS) | DESIGN PRESSURE (PSF) | REACTION AT ENDS (LBS) | DESIGN PRESSURE (PSF) | REACTION AT ENDS (LBS) | DESIGN PRESSURE (PSF) | REACTION AT ENDS (LBS) | DESIGN PRESSURE (PSF) | REACTION AT ENDS (LBS) | DESIGN PRESSURE (PSF) | REACTION AT ENDS (LBS) | DESIGN PRESSURE (PSF) | REACTION AT ENDS (LBS) | DESIGN PRESSURE (PSF) | REACTION AT ENDS (LBS) |
| 228" | 99.7 | 1973.8 | 83.1 | 1973.8 | 71.2 | 1973.8 | 62.3 | 1973.8 | 55.4 | 1973.8 | 49.9 | 1973.8 | 45.3 | 1973.8 | 41.6 | 1973.8 | 38.4 | 1973.8 | 35.6 | 1973.8 | 33.2 | 1973.8 | 31.2 | 1973.8 |
| 216" | 117.3 | 2199.2 | 97.7 | 2199.2 | 83.8 | 2199.2 | 73.3 | 2199.2 | 65.2 | 2199.2 | 58.6 | 2199.2 | 53.3 | 2199.2 | 48.9 | 2199.2 | 45.1 | 2199.2 | 41.9 | 2199.2 | 38.2 | 2199.2 | 32.2 | 2199.2 |
| 204" | 120.0 | 2125.0 | 116.0 | 2465.5 | 99.4 | 2465.5 | 87.0 | 2465.5 | 77.3 | 2465.5 | 69.6 | 2465.5 | 63.3 | 2465.5 | 58.0 | 2465.5 | 53.5 | 2465.5 | 45.7 | 2266.0 | 38.2 | 2029.4 | 32.2 | 1824.7 |
| 192" | 120.0 | 2000.0 | 120.0 | 2400.0 | 119.3 | 2783.3 | 104.4 | 2783.3 | 92.8 | 2783.3 | 83.5 | 2783.3 | 75.9 | 2783.3 | 67.3 | 2692.0 | 55.2 | 2392.0 | 45.7 | 2132.7 | 38.2 | 1910.0 | 32.2 | 1717.3 |
| 180" | 120.0 | 1875.0 | 120.0 | 2250.0 | 120.0 | 2625.0 | 120.0 | 3000.0 | 112.6 | 3166.8 | 101.3 | 3166.8 | 83.1 | 2856.6 | 67.3 | 2523.8 | 55.2 | 2242.5 | 45.7 | 1999.4 | 38.2 | 1790.6 | 32.2 | 1610.0 |
| 168" | 120.0 | 1750.0 | 120.0 | 2100.0 | 120.0 | 2450.0 | 120.0 | 2800.0 | 120.0 | 3150.0 | 104.2 | 3039.2 | 83.1 | 2666.1 | 67.3 | 2355.5 | 55.2 | 2093.0 | 45.7 | 1866.1 | 38.2 | 1671.3 | 32.2 | 1502.7 |
| 156" | 120.0 | 1625.0 | 120.0 | 1950.0 | 120.0 | 2275.0 | 120.0 | 2600.0 | 120.0 | 2925.0 | 104.2 | 2822.1 | 83.1 | 2475.7 | 67.3 | 2187.3 | 55.2 | 1943.5 | 45.7 | 1732.8 | 38.2 | 1551.9 | 32.2 | 1395.3 |
| 144" | 120.0 | 1500.0 | 120.0 | 1800.0 | 120.0 | 2100.0 | 120.0 | 2400.0 | 120.0 | 2700.0 | 104.2 | 2605.0 | 83.1 | 2285.3 | 67.3 | 2019.0 | 55.2 | 1794.0 | 45.7 | 1599.5 | 38.2 | 1432.5 | 32.2 | 1288.0 |
| 132" | 120.0 | 1375.0 | 120.0 | 1650.0 | 120.0 | 1925.0 | 120.0 | 2200.0 | 120.0 | 2475.0 | 104.2 | 2387.9 | 83.1 | 2094.8 | 67.3 | 1850.8 | 55.2 | 1644.5 | 45.7 | 1466.2 | 38.2 | 1313.1 | 32.2 | 1180.7 |
| 120" | 120.0 | 1250.0 | 120.0 | 1500.0 | 120.0 | 1750.0 | 120.0 | 2000.0 | 120.0 | 2250.0 | 104.2 | 2170.8 | 83.1 | 1904.4 | 67.3 | 1682.5 | 55.2 | 1495.0 | 45.7 | 1332.9 | 38.2 | 1193.8 | 32.2 | 1073.3 |
| 108" | 120.0 | 1125.0 | 120.0 | 1350.0 | 120.0 | 1575.0 | 120.0 | 1800.0 | 120.0 | 2025.0 | 104.2 | 1953.8 | 83.1 | 1713.9 | 67.3 | 1514.3 | 55.2 | 1345.5 | 45.7 | 1199.6 | 38.2 | 1074.4 | 32.2 | 966.0 |
| 96" | 120.0 | 1000.0 | 120.0 | 1200.0 | 120.0 | 1400.0 | 120.0 | 1600.0 | 120.0 | 1800.0 | 104.2 | 1736.7 | 83.1 | 1523.5 | 67.3 | 1346.0 | 55.2 | 1196.0 | 45.7 | 1066.3 | 38.2 | 955.0 | 32.2 | 858.7 |
| 84" | 120.0 | 875.0 | 120.0 | 1050.0 | 120.0 | 1225.0 | 120.0 | 1400.0 | 120.0 | 1575.0 | 104.2 | 1519.6 | 83.1 | 1333.1 | 67.3 | 1177.8 | 55.2 | 1046.5 | 45.7 | 933.0 | 38.2 | 835.6 | 32.2 | 751.3 |
| 72" | 120.0 | 750.0 | 120.0 | 900.0 | 120.0 | 1050.0 | 120.0 | 1200.0 | 120.0 | 1350.0 | 104.2 | 1302.5 | 83.1 | 1142.6 | 67.3 | 1009.5 | 55.2 | 897.0 | 45.7 | 799.8 | 38.2 | 716.3 | 32.2 | 644.0 |
| 60" | 120.0 | 625.0 | 120.0 | 750.0 | 120.0 | 875.0 | 120.0 | 1000.0 | 120.0 | 1125.0 | 104.2 | 1085.4 | 83.1 | 952.2 | 67.3 | 841.3 | 55.2 | 747.5 | 45.7 | 666.5 | 38.2 | 596.9 | 32.2 | 536.7 |
| 48" | 120.0 | 500.0 | 120.0 | 600.0 | 120.0 | 700.0 | 120.0 | 800.0 | 120.0 | 900.0 | 104.2 | 868.3 | 83.1 | 761.8 | 67.3 | 673.0 | 55.2 | 598.0 | 45.7 | 533.2 | 38.2 | 477.5 | 32.2 | 429.3 |
| 36" | 120.0 | 375.0 | 120.0 | 450.0 | 120.0 | 525.0 | 120.0 | 600.0 | 120.0 | 675.0 | 104.2 | 651.3 | 83.1 | 571.3 | 67.3 | 504.8 | 55.2 | 448.5 | 45.7 | 399.9 | 38.2 | 358.1 | 32.2 | 322.0 |

STORM BAR AND MULLION SCHEDULE: 2"x4"x1/8" WITH 1.75"x3.75"x0.125" STEEL REINFORCEMENT*

| MEMBER LENGTH | SLAT SPAN | | | | | | | | | | | | | | | | | | | | | | | |
|---------------|-----------------------|------------------------|-----------------------|------------------------|-----------------------|------------------------|-----------------------|------------------------|-----------------------|------------------------|-----------------------|------------------------|-----------------------|------------------------|-----------------------|------------------------|-----------------------|------------------------|-----------------------|------------------------|-----------------------|------------------------|-----------------------|------------------------|
| | 25" | | 30" | | 35" | | 40" | | 45" | | 50" | | 55" | | 60" | | 65" | | 70" | | 75" | | 80" | |
| | DESIGN PRESSURE (PSF) | REACTION AT ENDS (LBS) | DESIGN PRESSURE (PSF) | REACTION AT ENDS (LBS) | DESIGN PRESSURE (PSF) | REACTION AT ENDS (LBS) | DESIGN PRESSURE (PSF) | REACTION AT ENDS (LBS) | DESIGN PRESSURE (PSF) | REACTION AT ENDS (LBS) | DESIGN PRESSURE (PSF) | REACTION AT ENDS (LBS) | DESIGN PRESSURE (PSF) | REACTION AT ENDS (LBS) | DESIGN PRESSURE (PSF) | REACTION AT ENDS (LBS) | DESIGN PRESSURE (PSF) | REACTION AT ENDS (LBS) | DESIGN PRESSURE (PSF) | REACTION AT ENDS (LBS) | DESIGN PRESSURE (PSF) | REACTION AT ENDS (LBS) | DESIGN PRESSURE (PSF) | REACTION AT ENDS (LBS) |
| 120" | 93.4 | 973.2 | 77.9 | 973.2 | 66.7 | 973.2 | 58.4 | 973.2 | 51.9 | 973.2 | 46.7 | 973.2 | 42.5 | 973.2 | 38.9 | 973.2 | 35.9 | 973.2 | 33.4 | 973.2 | 31.1 | 973.2 | 29.2 | 973.2 |
| 108" | 120.0 | 1125.0 | 105.4 | 1186.0 | 90.4 | 1186.0 | 79.1 | 1186.0 | 70.3 | 1186.0 | 63.3 | 1186.0 | 57.5 | 1186.0 | 52.7 | 1186.0 | 48.7 | 1186.0 | 45.2 | 1186.0 | 38.2 | 1074.4 | 32.2 | 966.0 |
| 96" | 120.0 | 1000.0 | 120.0 | 1200.0 | 120.0 | 1400.0 | 105.5 | 1406.8 | 93.8 | 1406.8 | 84.4 | 1406.8 | 76.7 | 1406.8 | 67.3 | 1346.0 | 55.2 | 1196.0 | 45.7 | 1066.3 | 38.2 | 955.0 | 32.2 | 858.7 |
| 84" | 120.0 | 875.0 | 120.0 | 1050.0 | 120.0 | 1225.0 | 120.0 | 1400.0 | 120.0 | 1575.0 | 104.2 | 1519.6 | 83.1 | 1333.1 | 67.3 | 1177.8 | 55.2 | 1046.5 | 45.7 | 933.0 | 38.2 | 835.6 | 32.2 | 751.3 |
| 72" | 120.0 | 750.0 | 120.0 | 900.0 | 120.0 | 1050.0 | 120.0 | 1200.0 | 120.0 | 1350.0 | 104.2 | 1302.5 | 83.1 | 1142.6 | 67.3 | 1009.5 | 55.2 | 897.0 | 45.7 | 799.8 | 38.2 | 716.3 | 32.2 | 644.0 |
| 60" | 120.0 | 625.0 | 120.0 | 750.0 | 120.0 | 875.0 | 120.0 | 1000.0 | 120.0 | 1125.0 | 104.2 | 1085.4 | 83.1 | 952.2 | 67.3 | 841.3 | 55.2 | 747.5 | 45.7 | 666.5 | 38.2 | 596.9 | 32.2 | 536.7 |
| 48" | 120.0 | 500.0 | 120.0 | 600.0 | 120.0 | 700.0 | 120.0 | 800.0 | 120.0 | 900.0 | 104.2 | 868.3 | 83.1 | 761.8 | 67.3 | 673.0 | 55.2 | 598.0 | 45.7 | 533.2 | 38.2 | 477.5 | 32.2 | 429.3 |
| 36" | 120.0 | 375.0 | 120.0 | 450.0 | 120.0 | 525.0 | 120.0 | 600.0 | 120.0 | 675.0 | 104.2 | 651.3 | 83.1 | 571.3 | 67.3 | 504.8 | 55.2 | 448.5 | 45.7 | 399.9 | 38.2 | 358.1 | 32.2 | 322.0 |

STORM BAR AND MULLION SCHEDULE: 2"x5"x1/8" WITH 1.75"x4.75"x0.125" STEEL REINFORCEMENT*

| MEMBER LENGTH | SLAT SPAN | | | | | | | | | | | | | | | | | | | | | | | |
|---------------|-----------------------|------------------------|-----------------------|------------------------|-----------------------|------------------------|-----------------------|------------------------|-----------------------|------------------------|-----------------------|------------------------|-----------------------|------------------------|-----------------------|------------------------|-----------------------|------------------------|-----------------------|------------------------|-----------------------|------------------------|-----------------------|------------------------|
| | 25" | | 30" | | 35" | | 40" | | 45" | | 50" | | 55" | | 60" | | 65" | | 70" | | 75" | | 80" | |
| | DESIGN PRESSURE (PSF) | REACTION AT ENDS (LBS) | DESIGN PRESSURE (PSF) | REACTION AT ENDS (LBS) | DESIGN PRESSURE (PSF) | REACTION AT ENDS (LBS) | DESIGN PRESSURE (PSF) | REACTION AT ENDS (LBS) | DESIGN PRESSURE (PSF) | REACTION AT ENDS (LBS) | DESIGN PRESSURE (PSF) | REACTION AT ENDS (LBS) | DESIGN PRESSURE (PSF) | REACTION AT ENDS (LBS) | DESIGN PRESSURE (PSF) | REACTION AT ENDS (LBS) | DESIGN PRESSURE (PSF) | REACTION AT ENDS (LBS) | DESIGN PRESSURE (PSF) | REACTION AT ENDS (LBS) | DESIGN PRESSURE (PSF) | REACTION AT ENDS (LBS) | DESIGN PRESSURE (PSF) | REACTION AT ENDS (LBS) |
| 120" | 120.0 | 1250.0 | 106.2 | 1327.6 | 91.0 | 1327.6 | 79.7 | 1327.6 | 70.8 | 1327.6 | 63.7 | 1327.6 | 57.9 | 1327.6 | 53.1 | 1327.6 | 49.0 | 1327.6 | 45.5 | 1327.6 | 38.2 | 1193.8 | 32.2 | 1073.3 |
| 108" | 120.0 | 1125.0 | 120.0 | 1350.0 | 116.9 | 1534.7 | 102.3 | 1534.7 | 90.9 | 1534.7 | 81.9 | 1534.7 | 74.4 | 1534.7 | 67.3 | 1514.3 | 55.2 | 1345.5 | 45.7 | 1199.6 | 38.2 | 1074.4 | 32.2 | 966.0 |
| 96" | 120.0 | 1000.0 | 120.0 | 1200.0 | 120.0 | 1400.0 | 120.0 | 1600.0 | 120.0 | 1800.0 | 104.2 | 1736.7 | 83.1 | 1523.5 | 67.3 | 1346.0 | 55.2 | 1196.0 | 45.7 | 1066.3 | 38.2 | 955.0 | 32.2 | 858.7 |
| 84" | 120.0 | 875.0 | 120.0 | 1050.0 | 120.0 | 1225.0 | 120.0 | 1400.0 | 120.0 | 1575.0 | 104.2 | 1519.6 | 83.1 | 1333.1 | 67.3 | 1177.8 | 55.2 | 1046.5 | 45.7 | 933.0 | 38.2 | 835.6 | 32.2 | 751.3 |
| 72" | 120.0 | 750.0 | 120.0 | 900.0 | 120.0 | 1050.0 | 120.0 | 1200.0 | 120.0 | 1350.0 | 104.2 | 1302.5 | 83.1 | 1142.6 | 67.3 | 1009.5 | 55.2 | 897.0 | 45.7 | 799.8 | 38.2 | 716.3 | 32.2 | 644.0 |
| 60" | 120.0 | 625.0 | 120.0 | 750.0 | 120.0 | 875.0 | 120.0 | 1000.0 | 120.0 | 1125.0 | 104.2 | 1085.4 | 83.1 | 952.2 | 67.3 | 841.3 | 55.2 | 747.5 | 45.7 | 666.5 | 38.2 | 596.9 | 32.2 | 536.7 |
| 48" | 120.0 | 500.0 | 120.0 | 600.0 | 120.0 | 700.0 | 120.0 | 800.0 | 120.0 | 900.0 | 104.2 | 868.3 | 83.1 | 761.8 | 67.3 | 673.0 | 55.2 | 598.0 | 45.7 | 533.2 | 38.2 | 477.5 | 32.2 | 429.3 |
| 36" | 120.0 | 375.0 | 120.0 | 450.0 | 120.0 | 525.0 | 120.0 | 600.0 | 120.0 | 675.0 | 104.2 | 651.3 | 83.1 | 571.3 | 67.3 | 504.8 | 55.2 | 448.5 | 45.7 | 399.9 | 38.2 | 358.1 | 32.2 | 322.0 |

***NOTE:** STEEL REINFORCEMENT LENGTH SHALL BE A MINIMUM OF 90% THE MULLION LENGTH, LOCATED AT THE CENTER OF THE MULLION AND FASTENED IN PLACE WITH #14 18-8 SS OR COATED SAE GR. 5 STEEL SMS OR SDS AT 12" O.C. MAX STAGGERED ALONG THE FULL REINFORCEMENT LENGTH. (REFERENCE STEEL REINFORCEMENT DETAIL 1/2)

SEE SHEET 7 FOR STORM BAR AND MULLION SCHEDULE NOTES.

FRANK BENNARDO, PE
PE# 0046549 CA#9885



ENGINEERING EXPRESS
CORPORATE OFFICE:
160 SW 12th AVE, SUITE 106
DEERFIELD BEACH, FL 33442
(954) 354-0660 | (866) 396-9999
TEAM@ENGINEERINGEXPRESS.COM
ENGINEERINGEXPRESS.COM

Town & Country INDUSTRIES
Wholesale Aluminum and Building Products
A Division of ABC Supply Co., Inc.
400 WEST MCNAB ROAD
FT. LAUDERDALE, FL 33309
FL14235.3

| REMARKS | DRWN | CHKD | DATE |
|------------|------|------|---------|
| INIT ISSUE | KL | FLB | 4/25/14 |
| 2014 FBC | RWN | CSL | 4/08/15 |
| 2017 FBC | RWN | FLB | 8/07/17 |
| 2020 FBC | CCB | RWN | 6/30/20 |

THIS DOCUMENT IS THE PROPERTY OF FRANK BENNARDO, PE AND SHALL NOT BE REPRODUCED IN WHOLE OR PART WITHOUT WRITTEN CONSENT OF FRANK BENNARDO, PE. ALTERATIONS, ADDITIONS, HIGHLIGHTING OR OTHER MARKINGS TO THIS DOCUMENT ARE NOT PERMITTED AND INVALIDATE OUR CERTIFICATION.

COPYRIGHT FRANK L. BENNARDO P.E.

20-26189b

SCALE: -
PAGE DESCRIPTION:

STORM BAR AND MULLION SCHEDULE: 2"x6"x1/8" WITH 1.75"x5.75"x0.125" STEEL REINFORCEMENT*

| MEMBER LENGTH | SLAT SPAN | | | | | | | | | | | | | | | | | | | | | | | |
|---------------|-----------------------|------------------------|-----------------------|------------------------|-----------------------|------------------------|-----------------------|------------------------|-----------------------|------------------------|-----------------------|------------------------|-----------------------|------------------------|-----------------------|------------------------|-----------------------|------------------------|-----------------------|------------------------|-----------------------|------------------------|-----------------------|------------------------|
| | 25" | | 30" | | 35" | | 40" | | 45" | | 50" | | 55" | | 60" | | 65" | | 70" | | 75" | | 80" | |
| | DESIGN PRESSURE (PSF) | REACTION AT ENDS (LBS) | DESIGN PRESSURE (PSF) | REACTION AT ENDS (LBS) | DESIGN PRESSURE (PSF) | REACTION AT ENDS (LBS) | DESIGN PRESSURE (PSF) | REACTION AT ENDS (LBS) | DESIGN PRESSURE (PSF) | REACTION AT ENDS (LBS) | DESIGN PRESSURE (PSF) | REACTION AT ENDS (LBS) | DESIGN PRESSURE (PSF) | REACTION AT ENDS (LBS) | DESIGN PRESSURE (PSF) | REACTION AT ENDS (LBS) | DESIGN PRESSURE (PSF) | REACTION AT ENDS (LBS) | DESIGN PRESSURE (PSF) | REACTION AT ENDS (LBS) | DESIGN PRESSURE (PSF) | REACTION AT ENDS (LBS) | DESIGN PRESSURE (PSF) | REACTION AT ENDS (LBS) |
| 120" | 120.0 | 1250.0 | 120.0 | 1500.0 | 115.0 | 1676.7 | 100.6 | 1676.7 | 89.4 | 1676.7 | 80.5 | 1676.7 | 73.2 | 1676.7 | 67.1 | 1676.7 | 55.2 | 1495.0 | 45.7 | 1332.9 | 38.2 | 1193.8 | 32.2 | 1073.3 |
| 108" | 120.0 | 1125.0 | 120.0 | 1350.0 | 120.0 | 1575.0 | 120.0 | 1800.0 | 114.6 | 1934.0 | 103.1 | 1934.0 | 83.1 | 1713.9 | 67.3 | 1514.3 | 55.2 | 1345.5 | 45.7 | 1199.6 | 38.2 | 1074.4 | 32.2 | 966.0 |
| 96" | 120.0 | 1000.0 | 120.0 | 1200.0 | 120.0 | 1400.0 | 120.0 | 1600.0 | 120.0 | 1800.0 | 104.2 | 1736.7 | 83.1 | 1523.5 | 67.3 | 1346.0 | 55.2 | 1196.0 | 45.7 | 1066.3 | 38.2 | 955.0 | 32.2 | 858.7 |
| 84" | 120.0 | 875.0 | 120.0 | 1050.0 | 120.0 | 1225.0 | 120.0 | 1400.0 | 120.0 | 1575.0 | 104.2 | 1519.6 | 83.1 | 1333.1 | 67.3 | 1177.8 | 55.2 | 1046.5 | 45.7 | 933.0 | 38.2 | 835.6 | 32.2 | 751.3 |
| 72" | 120.0 | 750.0 | 120.0 | 900.0 | 120.0 | 1050.0 | 120.0 | 1200.0 | 120.0 | 1350.0 | 104.2 | 1302.5 | 83.1 | 1142.6 | 67.3 | 1009.5 | 55.2 | 897.0 | 45.7 | 799.8 | 38.2 | 716.3 | 32.2 | 644.0 |
| 60" | 120.0 | 625.0 | 120.0 | 750.0 | 120.0 | 875.0 | 120.0 | 1000.0 | 120.0 | 1125.0 | 104.2 | 1085.4 | 83.1 | 952.2 | 67.3 | 841.3 | 55.2 | 747.5 | 45.7 | 666.5 | 38.2 | 596.9 | 32.2 | 536.7 |
| 48" | 120.0 | 500.0 | 120.0 | 600.0 | 120.0 | 700.0 | 120.0 | 800.0 | 120.0 | 900.0 | 104.2 | 868.3 | 83.1 | 761.8 | 67.3 | 673.0 | 55.2 | 598.0 | 45.7 | 533.2 | 38.2 | 477.5 | 32.2 | 429.3 |


STORM BAR AND MULLION SCHEDULE: 3"x3"x1/8" WITH 2.75"x2.75"x0.125" STEEL REINFORCEMENT*

| MEMBER LENGTH | SLAT SPAN | | | | | | | | | | | | | | | | | | | | | | | |
|---------------|-----------------------|------------------------|-----------------------|------------------------|-----------------------|------------------------|-----------------------|------------------------|-----------------------|------------------------|-----------------------|------------------------|-----------------------|------------------------|-----------------------|------------------------|-----------------------|------------------------|-----------------------|------------------------|-----------------------|------------------------|-----------------------|------------------------|
| | 25" | | 30" | | 35" | | 40" | | 45" | | 50" | | 55" | | 60" | | 65" | | 70" | | 75" | | 80" | |
| | DESIGN PRESSURE (PSF) | REACTION AT ENDS (LBS) | DESIGN PRESSURE (PSF) | REACTION AT ENDS (LBS) | DESIGN PRESSURE (PSF) | REACTION AT ENDS (LBS) | DESIGN PRESSURE (PSF) | REACTION AT ENDS (LBS) | DESIGN PRESSURE (PSF) | REACTION AT ENDS (LBS) | DESIGN PRESSURE (PSF) | REACTION AT ENDS (LBS) | DESIGN PRESSURE (PSF) | REACTION AT ENDS (LBS) | DESIGN PRESSURE (PSF) | REACTION AT ENDS (LBS) | DESIGN PRESSURE (PSF) | REACTION AT ENDS (LBS) | DESIGN PRESSURE (PSF) | REACTION AT ENDS (LBS) | DESIGN PRESSURE (PSF) | REACTION AT ENDS (LBS) | DESIGN PRESSURE (PSF) | REACTION AT ENDS (LBS) |
| 120" | 64.2 | 668.4 | 53.5 | 668.4 | 45.8 | 668.4 | 40.1 | 668.4 | 35.6 | 668.4 | 32.1 | 668.4 | 29.2 | 668.4 | 26.7 | 668.4 | 24.7 | 668.4 | 22.9 | 668.4 | 21.4 | 668.4 | 20.1 | 668.4 |
| 108" | 88.0 | 825.2 | 73.3 | 825.2 | 62.9 | 825.2 | 55.0 | 825.2 | 48.9 | 825.2 | 44.0 | 825.2 | 40.0 | 825.2 | 36.7 | 825.2 | 33.9 | 825.2 | 31.4 | 825.2 | 29.3 | 825.2 | 27.5 | 825.2 |
| 96" | 120.0 | 1000.0 | 104.4 | 1044.4 | 89.5 | 1044.4 | 78.3 | 1044.4 | 69.6 | 1044.4 | 62.7 | 1044.4 | 57.0 | 1044.4 | 52.2 | 1044.4 | 48.2 | 1044.4 | 44.8 | 1044.4 | 38.2 | 955.0 | 32.2 | 858.7 |
| 84" | 120.0 | 875.0 | 120.0 | 1050.0 | 120.0 | 1225.0 | 116.9 | 1364.1 | 103.9 | 1364.1 | 93.5 | 1364.1 | 83.1 | 1333.1 | 67.3 | 1177.8 | 55.2 | 1046.5 | 45.7 | 933.0 | 38.2 | 835.6 | 32.2 | 751.3 |
| 72" | 120.0 | 750.0 | 120.0 | 900.0 | 120.0 | 1050.0 | 120.0 | 1200.0 | 120.0 | 1350.0 | 104.2 | 1302.5 | 83.1 | 1142.6 | 67.3 | 1009.5 | 55.2 | 897.0 | 45.7 | 799.8 | 38.2 | 716.3 | 32.2 | 644.0 |
| 60" | 120.0 | 625.0 | 120.0 | 750.0 | 120.0 | 875.0 | 120.0 | 1000.0 | 120.0 | 1125.0 | 104.2 | 1085.4 | 83.1 | 952.2 | 67.3 | 841.3 | 55.2 | 747.5 | 45.7 | 666.5 | 38.2 | 596.9 | 32.2 | 536.7 |
| 48" | 120.0 | 500.0 | 120.0 | 600.0 | 120.0 | 700.0 | 120.0 | 800.0 | 120.0 | 900.0 | 104.2 | 868.3 | 83.1 | 761.8 | 67.3 | 673.0 | 55.2 | 598.0 | 45.7 | 533.2 | 38.2 | 477.5 | 32.2 | 429.3 |

STORM BAR AND MULLION SCHEDULE: 4"x4"x1/8" WITH 3.75"x3.75"x0.125" STEEL REINFORCEMENT*

| MEMBER LENGTH | SLAT SPAN | | | | | | | | | | | | | | | | | | | | | | | |
|---------------|-----------------------|------------------------|-----------------------|------------------------|-----------------------|------------------------|-----------------------|------------------------|-----------------------|------------------------|-----------------------|------------------------|-----------------------|------------------------|-----------------------|------------------------|-----------------------|------------------------|-----------------------|------------------------|-----------------------|------------------------|-----------------------|------------------------|
| | 25" | | 30" | | 35" | | 40" | | 45" | | 50" | | 55" | | 60" | | 65" | | 70" | | 75" | | 80" | |
| | DESIGN PRESSURE (PSF) | REACTION AT ENDS (LBS) | DESIGN PRESSURE (PSF) | REACTION AT ENDS (LBS) | DESIGN PRESSURE (PSF) | REACTION AT ENDS (LBS) | DESIGN PRESSURE (PSF) | REACTION AT ENDS (LBS) | DESIGN PRESSURE (PSF) | REACTION AT ENDS (LBS) | DESIGN PRESSURE (PSF) | REACTION AT ENDS (LBS) | DESIGN PRESSURE (PSF) | REACTION AT ENDS (LBS) | DESIGN PRESSURE (PSF) | REACTION AT ENDS (LBS) | DESIGN PRESSURE (PSF) | REACTION AT ENDS (LBS) | DESIGN PRESSURE (PSF) | REACTION AT ENDS (LBS) | DESIGN PRESSURE (PSF) | REACTION AT ENDS (LBS) | DESIGN PRESSURE (PSF) | REACTION AT ENDS (LBS) |
| 120" | 120.0 | 1250.0 | 120.0 | 1500.0 | 115.4 | 1682.8 | 101.0 | 1682.8 | 89.7 | 1682.8 | 80.8 | 1682.8 | 73.4 | 1682.8 | 67.3 | 1682.5 | 55.2 | 1495.0 | 45.7 | 1332.9 | 38.2 | 1193.8 | 32.2 | 1073.3 |
| 108" | 120.0 | 1125.0 | 120.0 | 1350.0 | 120.0 | 1575.0 | 120.0 | 1800.0 | 120.0 | 2025.0 | 104.2 | 1953.8 | 83.1 | 1713.9 | 67.3 | 1514.3 | 55.2 | 1345.5 | 45.7 | 1199.6 | 38.2 | 1074.4 | 32.2 | 966.0 |
| 96" | 120.0 | 1000.0 | 120.0 | 1200.0 | 120.0 | 1400.0 | 120.0 | 1600.0 | 120.0 | 1800.0 | 104.2 | 1736.7 | 83.1 | 1523.5 | 67.3 | 1346.0 | 55.2 | 1196.0 | 45.7 | 1066.3 | 38.2 | 955.0 | 32.2 | 858.7 |
| 84" | 120.0 | 875.0 | 120.0 | 1050.0 | 120.0 | 1225.0 | 120.0 | 1400.0 | 120.0 | 1575.0 | 104.2 | 1519.6 | 83.1 | 1333.1 | 67.3 | 1177.8 | 55.2 | 1046.5 | 45.7 | 933.0 | 38.2 | 835.6 | 32.2 | 751.3 |
| 72" | 120.0 | 750.0 | 120.0 | 900.0 | 120.0 | 1050.0 | 120.0 | 1200.0 | 120.0 | 1350.0 | 104.2 | 1302.5 | 83.1 | 1142.6 | 67.3 | 1009.5 | 55.2 | 897.0 | 45.7 | 799.8 | 38.2 | 716.3 | 32.2 | 644.0 |
| 60" | 120.0 | 625.0 | 120.0 | 750.0 | 120.0 | 875.0 | 120.0 | 1000.0 | 120.0 | 1125.0 | 104.2 | 1085.4 | 83.1 | 952.2 | 67.3 | 841.3 | 55.2 | 747.5 | 45.7 | 666.5 | 38.2 | 596.9 | 32.2 | 536.7 |
| 48" | 120.0 | 500.0 | 120.0 | 600.0 | 120.0 | 700.0 | 120.0 | 800.0 | 120.0 | 900.0 | 104.2 | 868.3 | 83.1 | 761.8 | 67.3 | 673.0 | 55.2 | 598.0 | 45.7 | 533.2 | 38.2 | 477.5 | 32.2 | 429.3 |

STORM BAR AND MULLION SCHEDULE NOTES:

1. PRESSURES SHOWN IN "STORM BAR AND MULLION SCHEDULE" ARE MAXIMUM ALLOWABLE POSITIVE AND NEGATIVE DESIGN PRESSURES AT EACH RESPECTIVE SLAT SPAN AND STORM BAR/MULLION HEIGHT. DESIGN VALUES NOTED HEREIN WHEN USED WITH MULLIONS SHALL ONLY BE USED WITH NON-END RETENTION ROLL-UP SHUTTERS.
2. "STORM BAR AND MULLION SCHEDULES" ARE APPLICABLE TO ALL STORM BARS AND NON-END RETENTION MULLIONS.
3. SEE SHEET 2 FOR STORM BAR, MULLION, AND REINFORCEMENT DETAIL AND MATERIALS.
4. FOR END MULLIONS, ONE HALF OF THE SLAT SPAN MAY BE USED TO DETERMINE ALLOWABLE DESIGN PRESSURES AND END REACTIONS. END MULLIONS ARE AS DEFINED IN ELEVATION 2/1.
5. ALLOWABLE DESIGN PRESSURES AND SLAT SPANS INDICATED ARE FOR DETERMINING PERMISSIBLE STORM BAR AND MULLION HEIGHTS ONLY. ACTUAL SLAT SPANS AND DESIGN PRESSURES SHALL NOT EXCEED THOSE INDICATED IN SEPARATE ROLL-UP SHUTTER APPROVAL.
6. "REACTION AT ENDS" IS LISTED FOR EACH COMBINATION OF DESIGN LOAD, STORM BAR/MULLION TYPE, & SLAT SPAN. CHOOSE MOUNTING CONNECTIONS (PER APPLICABLE CONNECTION DETAILS HEREIN) THAT PROVIDES "CONNECTION CAPACITY" GREATER THAN OR EQUAL TO "REACTION AT ENDS" GIVEN ABOVE.
7. THIS SCHEDULE MAY BE USED FOR ALL MOUNTING CONDITIONS LISTED HEREIN.
8.  DENOTES CONDITIONS NOT APPROVED FOR USE.

***NOTE:** STEEL REINFORCEMENT LENGTH SHALL BE A MINIMUM OF 90% THE MULLION LENGTH, LOCATED AT THE CENTER OF THE MULLION AND FASTENED IN PLACE WITH #14 18-8 SS OR COATED SAE GR. 5 STEEL SMS OR SDS AT 12" O.C. MAX STAGGERED ALONG THE FULL REINFORCEMENT LENGTH. (REFERENCE STEEL REINFORCEMENT DETAIL 1/2)

FRANK BENNARDO, PE
PE# 0046549 CA#9885



ENGINEERING EXPRESS
CORPORATE OFFICE:
160 SW 12th AVE, SUITE 106
DEERFIELD BEACH, FL 33442
(954) 354-0660 | (866) 396-9999
TEAM@ENGINEERINGEXPRESS.COM
ENGINEERINGEXPRESS.COM

Town & Country INDUSTRIES
Wholesale Aluminum and Building Products
A Division of ABC Supply Co., Inc.
400 WEST MCNAB ROAD
FT. LAUDERDALE, FL 33309
FL14235.3

| DRWN | CHKD | DATE |
|------|------|---------|
| KL | FLB | 4/25/14 |
| RWN | CSL | 4/08/15 |
| RWN | FLB | 8/07/17 |
| CCB | RWN | 6/30/20 |

REMARKS
2014 FBC
2017 FBC
2020 FBC

THIS DOCUMENT IS THE PROPERTY OF FRANK L. BENNARDO, P.E. AND SHALL NOT BE REPRODUCED IN WHOLE OR PART WITHOUT WRITTEN CONSENT OF FRANK L. BENNARDO, P.E. - ALTERATIONS, ADDITIONS, HIGHLIGHTING OR OTHER MARKINGS TO THIS DOCUMENT ARE NOT PERMITTED AND INVALIDATE OUR CERTIFICATION.

COPYRIGHT FRANK L. BENNARDO P.E.

20-26189b

SCALE: -

PAGE DESCRIPTION:

OF 15

HEADER SCHEDULE: 2"x4"x1/8" HEADER

| HEADER LENGTH | STORM BAR HEIGHT | | | | | | | | | | | | | | | | | | | | | | | | |
|---------------|-----------------------|------------------------|-----------------------|------------------------|-----------------------|------------------------|-----------------------|------------------------|-----------------------|------------------------|-----------------------|------------------------|-----------------------|------------------------|-----------------------|------------------------|-----------------------|------------------------|-----------------------|------------------------|-----------------------|------------------------|-----------------------|------------------------|--|
| | 60" | | 72" | | 84" | | 96" | | 108" | | 120" | | 132" | | 144" | | 156" | | 168" | | 180" | | 192" | | |
| | DESIGN PRESSURE (PSF) | REACTION AT ENDS (LBS) | DESIGN PRESSURE (PSF) | REACTION AT ENDS (LBS) | DESIGN PRESSURE (PSF) | REACTION AT ENDS (LBS) | DESIGN PRESSURE (PSF) | REACTION AT ENDS (LBS) | DESIGN PRESSURE (PSF) | REACTION AT ENDS (LBS) | DESIGN PRESSURE (PSF) | REACTION AT ENDS (LBS) | DESIGN PRESSURE (PSF) | REACTION AT ENDS (LBS) | DESIGN PRESSURE (PSF) | REACTION AT ENDS (LBS) | DESIGN PRESSURE (PSF) | REACTION AT ENDS (LBS) | DESIGN PRESSURE (PSF) | REACTION AT ENDS (LBS) | DESIGN PRESSURE (PSF) | REACTION AT ENDS (LBS) | DESIGN PRESSURE (PSF) | REACTION AT ENDS (LBS) | |
| 120" | 39.2 | 326.7 | 32.7 | 326.7 | 28.0 | 326.7 | | | | | | | | | | | | | | | | | | | |
| 108" | 53.8 | 403.4 | 44.8 | 403.4 | 38.4 | 403.4 | 33.6 | 403.4 | 29.9 | 403.4 | 26.9 | 403.4 | | | | | | | | | | | | | |
| 96" | 76.6 | 510.5 | 63.8 | 510.5 | 54.7 | 510.5 | 47.9 | 510.5 | 42.5 | 510.5 | 38.3 | 510.5 | 34.8 | 510.5 | 31.9 | 510.5 | 29.5 | 510.5 | 27.3 | 510.5 | 25.5 | 510.5 | | | |
| 84" | 114.3 | 666.8 | 95.3 | 666.8 | 81.7 | 666.8 | 71.4 | 666.8 | 63.5 | 666.8 | 57.2 | 666.8 | 52.0 | 666.8 | 47.6 | 666.8 | 44.0 | 666.8 | 40.8 | 666.8 | 38.1 | 666.8 | 35.7 | 666.8 | |
| 72" | 120.0 | 600.0 | 120.0 | 720.0 | 118.7 | 831.0 | 103.9 | 831.0 | 92.3 | 831.0 | 83.1 | 831.0 | 75.5 | 831.0 | 69.3 | 831.0 | 63.9 | 831.0 | 59.4 | 831.0 | 55.4 | 831.0 | 51.9 | 831.0 | |
| 60" | 120.0 | 500.0 | 120.0 | 600.0 | 120.0 | 700.0 | 120.0 | 800.0 | 120.0 | 900.0 | 120.0 | 1000.0 | 109.3 | 1002.1 | 100.2 | 1002.1 | 92.5 | 1002.1 | 85.9 | 1002.1 | 80.2 | 1002.1 | 75.2 | 1002.1 | |
| 48" | 120.0 | 400.0 | 120.0 | 480.0 | 120.0 | 560.0 | 120.0 | 640.0 | 120.0 | 720.0 | 120.0 | 800.0 | 120.0 | 880.0 | 120.0 | 960.0 | 120.0 | 1040.0 | 120.0 | 1120.0 | 120.0 | 1200.0 | 117.4 | 1252.6 | |
| 36" | 120.0 | 300.0 | 120.0 | 360.0 | 120.0 | 420.0 | 120.0 | 480.0 | 120.0 | 540.0 | 120.0 | 600.0 | 120.0 | 660.0 | 120.0 | 720.0 | 120.0 | 780.0 | 120.0 | 840.0 | 120.0 | 900.0 | 120.0 | 960.0 | |

HEADER SCHEDULE: 2"x4"x1/4" HEADER

| HEADER LENGTH | STORM BAR HEIGHT | | | | | | | | | | | | | | | | | | | | | | | | |
|---------------|-----------------------|------------------------|-----------------------|------------------------|-----------------------|------------------------|-----------------------|------------------------|-----------------------|------------------------|-----------------------|------------------------|-----------------------|------------------------|-----------------------|------------------------|-----------------------|------------------------|-----------------------|------------------------|-----------------------|------------------------|-----------------------|------------------------|--|
| | 60" | | 76" | | 92" | | 108" | | 124" | | 140" | | 156" | | 172" | | 188" | | 204" | | 220" | | 228" | | |
| | DESIGN PRESSURE (PSF) | REACTION AT ENDS (LBS) | DESIGN PRESSURE (PSF) | REACTION AT ENDS (LBS) | DESIGN PRESSURE (PSF) | REACTION AT ENDS (LBS) | DESIGN PRESSURE (PSF) | REACTION AT ENDS (LBS) | DESIGN PRESSURE (PSF) | REACTION AT ENDS (LBS) | DESIGN PRESSURE (PSF) | REACTION AT ENDS (LBS) | DESIGN PRESSURE (PSF) | REACTION AT ENDS (LBS) | DESIGN PRESSURE (PSF) | REACTION AT ENDS (LBS) | DESIGN PRESSURE (PSF) | REACTION AT ENDS (LBS) | DESIGN PRESSURE (PSF) | REACTION AT ENDS (LBS) | DESIGN PRESSURE (PSF) | REACTION AT ENDS (LBS) | DESIGN PRESSURE (PSF) | REACTION AT ENDS (LBS) | |
| 120" | 69.9 | 582.6 | 55.2 | 582.6 | 45.6 | 582.6 | 38.8 | 582.6 | 33.8 | 582.6 | 30.0 | 582.6 | 26.9 | 582.6 | | | | | | | | | | | |
| 108" | 95.9 | 719.3 | 75.7 | 719.3 | 62.5 | 719.3 | 53.3 | 719.3 | 46.4 | 719.3 | 41.1 | 719.3 | 36.9 | 719.3 | 33.5 | 719.3 | 30.6 | 719.3 | 28.2 | 719.3 | 26.2 | 719.3 | 25.2 | 719.3 | |
| 96" | 120.0 | 800.0 | 107.8 | 910.4 | 89.1 | 910.4 | 75.9 | 910.4 | 66.1 | 910.4 | 58.5 | 910.4 | 52.5 | 910.4 | 47.6 | 910.4 | 43.6 | 910.4 | 40.2 | 910.4 | 37.2 | 910.4 | 35.9 | 910.4 | |
| 84" | 120.0 | 700.0 | 120.0 | 886.7 | 120.0 | 1073.3 | 113.2 | 1189.1 | 98.6 | 1189.1 | 87.4 | 1189.1 | 78.4 | 1189.1 | 71.1 | 1189.1 | 65.1 | 1189.1 | 60.0 | 1189.1 | 55.6 | 1189.1 | 53.6 | 1189.1 | |
| 72" | 120.0 | 600.0 | 120.0 | 760.0 | 120.0 | 920.0 | 120.0 | 1080.0 | 120.0 | 1240.0 | 120.0 | 1400.0 | 120.0 | 1560.0 | 112.9 | 1618.5 | 103.3 | 1618.5 | 95.2 | 1618.5 | 88.3 | 1618.5 | 85.2 | 1618.5 | |
| 60" | 120.0 | 500.0 | 120.0 | 633.3 | 120.0 | 766.7 | 120.0 | 900.0 | 120.0 | 1033.3 | 120.0 | 1166.7 | 120.0 | 1300.0 | 120.0 | 1433.3 | 120.0 | 1566.7 | 120.0 | 1700.0 | 120.0 | 1833.3 | 120.0 | 1900.0 | |
| 48" | 120.0 | 400.0 | 120.0 | 506.7 | 120.0 | 613.3 | 120.0 | 720.0 | 120.0 | 826.7 | 120.0 | 933.3 | 120.0 | 1040.0 | 120.0 | 1146.7 | 120.0 | 1253.3 | 120.0 | 1360.0 | 120.0 | 1466.7 | 120.0 | 1520.0 | |
| 36" | 120.0 | 300.0 | 120.0 | 380.0 | 120.0 | 460.0 | 120.0 | 540.0 | 120.0 | 620.0 | 120.0 | 700.0 | 120.0 | 780.0 | 120.0 | 860.0 | 120.0 | 940.0 | 120.0 | 1020.0 | 120.0 | 1100.0 | 120.0 | 1140.0 | |

HEADER SCHEDULE: 2"x5"x1/8" HEADER

| HEADER LENGTH | STORM BAR HEIGHT | | | | | | | | | | | | | | | | | | | | | | | | |
|---------------|-----------------------|------------------------|-----------------------|------------------------|-----------------------|------------------------|-----------------------|------------------------|-----------------------|------------------------|-----------------------|------------------------|-----------------------|------------------------|-----------------------|------------------------|-----------------------|------------------------|-----------------------|------------------------|-----------------------|------------------------|-----------------------|------------------------|--|
| | 60" | | 72" | | 84" | | 96" | | 108" | | 120" | | 132" | | 144" | | 156" | | 168" | | 180" | | 192" | | |
| | DESIGN PRESSURE (PSF) | REACTION AT ENDS (LBS) | DESIGN PRESSURE (PSF) | REACTION AT ENDS (LBS) | DESIGN PRESSURE (PSF) | REACTION AT ENDS (LBS) | DESIGN PRESSURE (PSF) | REACTION AT ENDS (LBS) | DESIGN PRESSURE (PSF) | REACTION AT ENDS (LBS) | DESIGN PRESSURE (PSF) | REACTION AT ENDS (LBS) | DESIGN PRESSURE (PSF) | REACTION AT ENDS (LBS) | DESIGN PRESSURE (PSF) | REACTION AT ENDS (LBS) | DESIGN PRESSURE (PSF) | REACTION AT ENDS (LBS) | DESIGN PRESSURE (PSF) | REACTION AT ENDS (LBS) | DESIGN PRESSURE (PSF) | REACTION AT ENDS (LBS) | DESIGN PRESSURE (PSF) | REACTION AT ENDS (LBS) | |
| 84" | 120.0 | 700.0 | 120.0 | 840.0 | 120.0 | 980.0 | 105.2 | 982.3 | 93.6 | 982.3 | 84.2 | 982.3 | 76.5 | 982.3 | 70.2 | 982.3 | 64.8 | 982.3 | 60.1 | 982.3 | 56.1 | 982.3 | 52.6 | 982.3 | |
| 72" | 120.0 | 600.0 | 120.0 | 720.0 | 120.0 | 840.0 | 120.0 | 960.0 | 120.0 | 1080.0 | 115.7 | 1156.8 | 105.2 | 1156.8 | 96.4 | 1156.8 | 89.0 | 1156.8 | 82.6 | 1156.8 | 77.1 | 1156.8 | 72.3 | 1156.8 | |
| 60" | 120.0 | 500.0 | 120.0 | 600.0 | 120.0 | 700.0 | 120.0 | 800.0 | 120.0 | 900.0 | 120.0 | 1000.0 | 120.0 | 1100.0 | 120.0 | 1200.0 | 120.0 | 1300.0 | 120.0 | 1400.0 | 112.1 | 1401.8 | 105.1 | 1401.8 | |
| 48" | 120.0 | 400.0 | 120.0 | 480.0 | 120.0 | 560.0 | 120.0 | 640.0 | 120.0 | 720.0 | 120.0 | 800.0 | 120.0 | 880.0 | 120.0 | 960.0 | 120.0 | 1040.0 | 120.0 | 1120.0 | 120.0 | 1200.0 | 120.0 | 1280.0 | |
| 36" | 120.0 | 300.0 | 120.0 | 360.0 | 120.0 | 420.0 | 120.0 | 480.0 | 120.0 | 540.0 | 120.0 | 600.0 | 120.0 | 660.0 | 120.0 | 720.0 | 120.0 | 780.0 | 120.0 | 840.0 | 120.0 | 900.0 | 120.0 | 960.0 | |

HEADER SCHEDULE: 2"x5"x1/4" HEADER

| HEADER LENGTH | STORM BAR HEIGHT | | | | | | | | | | | | | | | | | | | | | | | | |
|---------------|-----------------------|------------------------|-----------------------|------------------------|-----------------------|------------------------|-----------------------|------------------------|-----------------------|------------------------|-----------------------|------------------------|-----------------------|------------------------|-----------------------|------------------------|-----------------------|------------------------|-----------------------|------------------------|-----------------------|------------------------|-----------------------|------------------------|--|
| | 60" | | 76" | | 92" | | 108" | | 124" | | 140" | | 156" | | 172" | | 188" | | 204" | | 220" | | 228" | | |
| | DESIGN PRESSURE (PSF) | REACTION AT ENDS (LBS) | DESIGN PRESSURE (PSF) | REACTION AT ENDS (LBS) | DESIGN PRESSURE (PSF) | REACTION AT ENDS (LBS) | DESIGN PRESSURE (PSF) | REACTION AT ENDS (LBS) | DESIGN PRESSURE (PSF) | REACTION AT ENDS (LBS) | DESIGN PRESSURE (PSF) | REACTION AT ENDS (LBS) | DESIGN PRESSURE (PSF) | REACTION AT ENDS (LBS) | DESIGN PRESSURE (PSF) | REACTION AT ENDS (LBS) | DESIGN PRESSURE (PSF) | REACTION AT ENDS (LBS) | DESIGN PRESSURE (PSF) | REACTION AT ENDS (LBS) | DESIGN PRESSURE (PSF) | REACTION AT ENDS (LBS) | DESIGN PRESSURE (PSF) | REACTION AT ENDS (LBS) | |
| 120" | 120.0 | 1000.0 | 98.2 | 1036.6 | 81.1 | 1036.6 | 69.1 | 1036.6 | 60.2 | 1036.6 | 53.3 | 1036.6 | 47.8 | 1036.6 | 43.4 | 1036.6 | 39.7 | 1036.6 | 36.6 | 1036.6 | 33.9 | 1036.6 | 32.7 | 1036.6 | |
| 108" | 120.0 | 900.0 | 120.0 | 1140.0 | 111.3 | 1279.8 | 94.8 | 1279.8 | 82.6 | 1279.8 | 73.1 | 1279.8 | 65.6 | 1279.8 | 59.5 | 1279.8 | 54.5 | 1279.8 | 50.2 | 1279.8 | 46.5 | 1279.8 | 44.9 | 1279.8 | |
| 96" | 120.0 | 800.0 | 120.0 | 1013.3 | 120.0 | 1226.7 | 120.0 | 1440.0 | 117.6 | 1619.8 | 104.1 | 1619.8 | 93.4 | 1619.8 | 84.8 | 1619.8 | 77.5 | 1619.8 | 71.5 | 1619.8 | 66.3 | 1619.8 | 63.9 | 1619.8 | |
| 84" | 120.0 | 700.0 | 120.0 | 886.7 | 120.0 | 1073.3 | 120.0 | 1260.0 | 120.0 | 1446.7 | 120.0 | 1633.3 | 120.0 | 1820.0 | 120.0 | 2006.7 | 115.7 | 2115.6 | 106.7 | 2115.6 | 98.9 | 2115.6 | 95.4 | 2115.6 | |
| 72" | 120.0 | 600.0 | 120.0 | 760.0 | 120.0 | 920.0 | 120.0 | 1080.0 | 120.0 | 1240.0 | 120.0 | 1400.0 | 120.0 | 1560.0 | 120.0 | 1720.0 | 120.0 | 1880.0 | 120.0 | 2040.0 | 120.0 | 2200.0 | 120.0 | 2280.0 | |
| 60" | 120.0 | 500.0 | 120.0 | 633.3 | 120.0 | 766.7 | 120.0 | 900.0 | 120.0 | 1033.3 | 120.0 | 1166.7 | 120.0 | 1300.0 | 120.0 | 1433.3 | 120.0 | 1566.7 | 120.0 | 1700.0 | 120.0 | 1833.3 | 120.0 | 1900.0 | |
| 48" | 120.0 | 400.0 | 120.0 | 506.7 | 120.0 | 613.3 | 120.0 | 720.0 | 120.0 | 826.7 | 120.0 | 933.3 | 120.0 | 1040.0 | 120.0 | 1146.7 | 120.0 | 1253.3 | 120.0 | 1360.0 | 120.0 | 1466.7 | 120.0 | 1520.0 | |
| 36" | 120.0 | 300.0 | 120.0 | 380.0 | 120.0 | 460.0 | 120.0 | 540.0 | 120.0 | 620.0 | 120.0 | 700.0 | 120.0 | 780.0 | 120.0 | 860.0 | 120.0 | 940.0 | 120.0 | 1020.0 | 120.0 | 1100.0 | 120.0 | 1140.0 | |

SEE SHEET 12 FOR HEADER SCHEDULE NOTES.

FRANK BENNARDO, PE
PE# 0046549 CA#9885



ENGINEERING EXPRESS
CORPORATE OFFICE:
160 SW 12th AVE, SUITE 106
DEERFIELD BEACH, FL 33442
(954) 354-0660 | (866) 396-9999
TEAM@ENGINEERINGEXPRESS.COM
ENGINEERINGEXPRESS.COM

Town & Country INDUSTRIES
Wholesale Aluminum and Building Products
A Division of ABC Supply Co., Inc.
400 WEST MCNAB ROAD
FT. LAUDERDALE, FL 33309
FL14235.3

| DRWN | CHKD | DATE |
|------|------|---------|
| KL | CSL | 4/25/14 |
| RWN | FLB | 4/08/15 |
| RWN | FLB | 8/07/17 |
| CCB | RWN | 6/30/20 |

REMARKS:
INIT ISSUE
2014 FBC
2017 FBC
2020 FBC

THIS DOCUMENT IS THE PROPERTY OF FRANK L. BENNARDO, PE AND SHALL NOT BE REPRODUCED IN WHOLE OR PART WITHOUT WRITTEN CONSENT OF FRANK L. BENNARDO, PE. ALTERNATIONS, ADDITIONS, HIGHLIGHTING OR OTHER MARKINGS TO THIS DOCUMENT ARE NOT PERMITTED AND INVALIDATE OUR CERTIFICATION.

COPYRIGHT FRANK L. BENNARDO P.E.

20-26189b

SCALE: -

PAGE DESCRIPTION:

OF 15



HEADER SCHEDULE: 2"x6"x1/8" HEADER

| HEADER LENGTH | STORM BAR HEIGHT | | | | | | | | | | | | | | | | | | | | | | | |
|---------------|-----------------------|------------------------|-----------------------|------------------------|-----------------------|------------------------|-----------------------|------------------------|-----------------------|------------------------|-----------------------|------------------------|-----------------------|------------------------|-----------------------|------------------------|-----------------------|------------------------|-----------------------|------------------------|-----------------------|------------------------|-----------------------|------------------------|
| | 60" | | 76" | | 92" | | 108" | | 124" | | 140" | | 156" | | 172" | | 188" | | 204" | | 220" | | 228" | |
| | DESIGN PRESSURE (PSF) | REACTION AT ENDS (LBS) | DESIGN PRESSURE (PSF) | REACTION AT ENDS (LBS) | DESIGN PRESSURE (PSF) | REACTION AT ENDS (LBS) | DESIGN PRESSURE (PSF) | REACTION AT ENDS (LBS) | DESIGN PRESSURE (PSF) | REACTION AT ENDS (LBS) | DESIGN PRESSURE (PSF) | REACTION AT ENDS (LBS) | DESIGN PRESSURE (PSF) | REACTION AT ENDS (LBS) | DESIGN PRESSURE (PSF) | REACTION AT ENDS (LBS) | DESIGN PRESSURE (PSF) | REACTION AT ENDS (LBS) | DESIGN PRESSURE (PSF) | REACTION AT ENDS (LBS) | DESIGN PRESSURE (PSF) | REACTION AT ENDS (LBS) | DESIGN PRESSURE (PSF) | REACTION AT ENDS (LBS) |
| 120" | 106.0 | 883.0 | 83.7 | 883.0 | 69.1 | 883.0 | 58.9 | 883.0 | 51.3 | 883.0 | 45.4 | 883.0 | 40.8 | 883.0 | 37.0 | 883.0 | 33.8 | 883.0 | 31.2 | 883.0 | 28.9 | 883.0 | 27.9 | 883.0 |
| 108" | 120.0 | 900.0 | 104.1 | 989.3 | 86.0 | 989.3 | 73.3 | 989.3 | 63.8 | 989.3 | 56.5 | 989.3 | 50.7 | 989.3 | 46.0 | 989.3 | 42.1 | 989.3 | 38.8 | 989.3 | 36.0 | 989.3 | 34.7 | 989.3 |
| 96" | 120.0 | 800.0 | 120.0 | 1013.3 | 109.8 | 1122.7 | 93.6 | 1122.7 | 81.5 | 1122.7 | 72.2 | 1122.7 | 64.8 | 1122.7 | 58.7 | 1122.7 | 53.7 | 1122.7 | 49.5 | 1122.7 | 45.9 | 1122.7 | 44.3 | 1122.7 |
| 84" | 120.0 | 700.0 | 120.0 | 886.7 | 120.0 | 1073.3 | 120.0 | 1260.0 | 107.4 | 1295.0 | 95.1 | 1295.0 | 85.4 | 1295.0 | 77.4 | 1295.0 | 70.9 | 1295.0 | 65.3 | 1295.0 | 60.5 | 1295.0 | 58.4 | 1295.0 |
| 72" | 120.0 | 600.0 | 120.0 | 760.0 | 120.0 | 920.0 | 120.0 | 1080.0 | 120.0 | 1240.0 | 120.0 | 1400.0 | 117.4 | 1525.7 | 106.4 | 1525.7 | 97.4 | 1525.7 | 89.7 | 1525.7 | 83.2 | 1525.7 | 80.3 | 1525.7 |
| 60" | 120.0 | 500.0 | 120.0 | 633.3 | 120.0 | 766.7 | 120.0 | 900.0 | 120.0 | 1033.3 | 120.0 | 1166.7 | 120.0 | 1300.0 | 120.0 | 1433.3 | 120.0 | 1566.7 | 120.0 | 1700.0 | 120.0 | 1833.3 | 116.9 | 1850.2 |
| 48" | 120.0 | 400.0 | 120.0 | 506.7 | 120.0 | 613.3 | 120.0 | 720.0 | 120.0 | 826.7 | 120.0 | 933.3 | 120.0 | 1040.0 | 120.0 | 1146.7 | 120.0 | 1253.3 | 120.0 | 1360.0 | 120.0 | 1466.7 | 120.0 | 1520.0 |
| 36" | 120.0 | 300.0 | 120.0 | 380.0 | 120.0 | 460.0 | 120.0 | 540.0 | 120.0 | 620.0 | 120.0 | 700.0 | 120.0 | 780.0 | 120.0 | 860.0 | 120.0 | 940.0 | 120.0 | 1020.0 | 120.0 | 1100.0 | 120.0 | 1140.0 |

HEADER SCHEDULE: 2"x6"x1/4" HEADER

| HEADER LENGTH | STORM BAR HEIGHT | | | | | | | | | | | | | | | | | | | | | | | | |
|---------------|-----------------------|------------------------|-----------------------|------------------------|-----------------------|------------------------|-----------------------|------------------------|-----------------------|------------------------|-----------------------|------------------------|-----------------------|------------------------|-----------------------|------------------------|-----------------------|------------------------|-----------------------|------------------------|-----------------------|------------------------|-----------------------|------------------------|--|
| | 60" | | 76" | | 92" | | 108" | | 124" | | 140" | | 156" | | 172" | | 188" | | 204" | | 220" | | 228" | | |
| | DESIGN PRESSURE (PSF) | REACTION AT ENDS (LBS) | DESIGN PRESSURE (PSF) | REACTION AT ENDS (LBS) | DESIGN PRESSURE (PSF) | REACTION AT ENDS (LBS) | DESIGN PRESSURE (PSF) | REACTION AT ENDS (LBS) | DESIGN PRESSURE (PSF) | REACTION AT ENDS (LBS) | DESIGN PRESSURE (PSF) | REACTION AT ENDS (LBS) | DESIGN PRESSURE (PSF) | REACTION AT ENDS (LBS) | DESIGN PRESSURE (PSF) | REACTION AT ENDS (LBS) | DESIGN PRESSURE (PSF) | REACTION AT ENDS (LBS) | DESIGN PRESSURE (PSF) | REACTION AT ENDS (LBS) | DESIGN PRESSURE (PSF) | REACTION AT ENDS (LBS) | DESIGN PRESSURE (PSF) | REACTION AT ENDS (LBS) | |
| 228" | 29.2 | 462.3 | | | | | | | | | | | | | | | | | | | | | | | |
| 216" | 34.3 | 515.1 | 27.1 | 515.1 | | | | | | | | | | | | | | | | | | | | | |
| 204" | 40.8 | 577.5 | 32.2 | 577.5 | 26.6 | 577.5 | | | | | | | | | | | | | | | | | | | |
| 192" | 48.9 | 652.0 | 38.6 | 652.0 | 31.9 | 652.0 | 27.2 | 652.0 | | | | | | | | | | | | | | | | | |
| 180" | 59.3 | 741.8 | 46.9 | 741.8 | 38.7 | 741.8 | 33.0 | 741.8 | 28.7 | 741.8 | 25.4 | 741.8 | | | | | | | | | | | | | |
| 168" | 73.0 | 851.6 | 57.6 | 851.6 | 47.6 | 851.6 | 40.6 | 851.6 | 35.3 | 851.6 | 31.3 | 851.6 | 28.1 | 851.6 | 25.5 | 851.6 | | | | | | | | | |
| 156" | 91.2 | 987.6 | 72.0 | 987.6 | 59.5 | 987.6 | 50.6 | 987.6 | 44.1 | 987.6 | 39.1 | 987.6 | 35.1 | 987.6 | 31.8 | 987.6 | 29.1 | 987.6 | 26.8 | 987.6 | | | | | |
| 144" | 115.9 | 1159.1 | 91.5 | 1159.1 | 75.6 | 1159.1 | 64.4 | 1159.1 | 56.1 | 1159.1 | 49.7 | 1159.1 | 44.6 | 1159.1 | 40.4 | 1159.1 | 37.0 | 1159.1 | 34.1 | 1159.1 | 31.6 | 1159.1 | 30.5 | 1159.1 | |
| 132" | 120.0 | 1100.0 | 118.8 | 1379.4 | 98.1 | 1379.4 | 83.6 | 1379.4 | 72.8 | 1379.4 | 64.5 | 1379.4 | 57.9 | 1379.4 | 52.5 | 1379.4 | 48.0 | 1379.4 | 44.3 | 1379.4 | 41.0 | 1379.4 | 39.6 | 1379.4 | |
| 120" | 120.0 | 1000.0 | 120.0 | 1266.7 | 120.0 | 1533.3 | 111.3 | 1669.0 | 96.9 | 1669.0 | 85.8 | 1669.0 | 77.0 | 1669.0 | 69.9 | 1669.0 | 63.9 | 1669.0 | 58.9 | 1669.0 | 54.6 | 1669.0 | 52.7 | 1669.0 | |
| 108" | 120.0 | 900.0 | 120.0 | 1140.0 | 120.0 | 1380.0 | 120.0 | 1620.0 | 120.0 | 1860.0 | 117.7 | 2060.5 | 105.7 | 2060.5 | 95.8 | 2060.5 | 87.7 | 2060.5 | 80.8 | 2060.5 | 74.9 | 2060.5 | 72.3 | 2060.5 | |
| 96" | 120.0 | 800.0 | 120.0 | 1013.3 | 120.0 | 1226.7 | 120.0 | 1440.0 | 120.0 | 1653.3 | 120.0 | 1866.7 | 120.0 | 2080.0 | 120.0 | 2293.3 | 120.0 | 2506.7 | 115.1 | 2607.9 | 106.7 | 2607.9 | 102.9 | 2607.9 | |

HEADER SCHEDULE: 3"x3"x1/8" HEADER

| HEADER LENGTH | STORM BAR HEIGHT | | | | | | | | | | | | | | | | | | | | | | | | |
|---------------|-----------------------|------------------------|-----------------------|------------------------|-----------------------|------------------------|-----------------------|------------------------|-----------------------|------------------------|-----------------------|------------------------|-----------------------|------------------------|-----------------------|------------------------|-----------------------|------------------------|-----------------------|------------------------|-----------------------|------------------------|-----------------------|------------------------|--|
| | 60" | | 72" | | 84" | | 96" | | 108" | | 120" | | 132" | | 144" | | 156" | | 168" | | 180" | | 192" | | |
| | DESIGN PRESSURE (PSF) | REACTION AT ENDS (LBS) | DESIGN PRESSURE (PSF) | REACTION AT ENDS (LBS) | DESIGN PRESSURE (PSF) | REACTION AT ENDS (LBS) | DESIGN PRESSURE (PSF) | REACTION AT ENDS (LBS) | DESIGN PRESSURE (PSF) | REACTION AT ENDS (LBS) | DESIGN PRESSURE (PSF) | REACTION AT ENDS (LBS) | DESIGN PRESSURE (PSF) | REACTION AT ENDS (LBS) | DESIGN PRESSURE (PSF) | REACTION AT ENDS (LBS) | DESIGN PRESSURE (PSF) | REACTION AT ENDS (LBS) | DESIGN PRESSURE (PSF) | REACTION AT ENDS (LBS) | DESIGN PRESSURE (PSF) | REACTION AT ENDS (LBS) | DESIGN PRESSURE (PSF) | REACTION AT ENDS (LBS) | |
| 120" | 26.1 | 217.8 | | | | | | | | | | | | | | | | | | | | | | | |
| 108" | 35.9 | 268.9 | 29.9 | 268.9 | 25.6 | 268.9 | | | | | | | | | | | | | | | | | | | |
| 96" | 51.1 | 340.3 | 42.5 | 340.3 | 36.5 | 340.3 | 31.9 | 340.3 | 28.4 | 340.3 | 25.5 | 340.3 | | | | | | | | | | | | | |
| 84" | 76.2 | 444.5 | 63.5 | 444.5 | 54.4 | 444.5 | 47.6 | 444.5 | 42.3 | 444.5 | 38.1 | 444.5 | 34.6 | 444.5 | 31.8 | 444.5 | 29.3 | 444.5 | 27.2 | 444.5 | 25.4 | 444.5 | | | |
| 72" | 120.0 | 600.0 | 100.8 | 605.0 | 86.4 | 605.0 | 75.6 | 605.0 | 67.2 | 605.0 | 60.5 | 605.0 | 55.0 | 605.0 | 50.4 | 605.0 | 46.5 | 605.0 | 43.2 | 605.0 | 40.3 | 605.0 | 37.8 | 605.0 | |
| 60" | 120.0 | 500.0 | 120.0 | 600.0 | 120.0 | 700.0 | 120.0 | 800.0 | 116.2 | 871.3 | 104.6 | 871.3 | 95.0 | 871.3 | 87.1 | 871.3 | 80.4 | 871.3 | 74.7 | 871.3 | 69.7 | 871.3 | 65.3 | 871.3 | |
| 48" | 120.0 | 400.0 | 120.0 | 480.0 | 120.0 | 560.0 | 120.0 | 640.0 | 120.0 | 720.0 | 120.0 | 800.0 | 120.0 | 880.0 | 120.0 | 960.0 | 120.0 | 1040.0 | 119.3 | 1113.4 | 111.3 | 1113.4 | 104.4 | 1113.4 | |
| 36" | 120.0 | 300.0 | 120.0 | 360.0 | 120.0 | 420.0 | 120.0 | 480.0 | 120.0 | 540.0 | 120.0 | 600.0 | 120.0 | 660.0 | 120.0 | 720.0 | 120.0 | 780.0 | 120.0 | 840.0 | 120.0 | 900.0 | 120.0 | 960.0 | |

HEADER SCHEDULE: 3"x3"x1/4" HEADER

| HEADER LENGTH | STORM BAR HEIGHT | | | | | | | | | | | | | | | | | | | | | | | | |
|---------------|-----------------------|------------------------|-----------------------|------------------------|-----------------------|------------------------|-----------------------|------------------------|-----------------------|------------------------|-----------------------|------------------------|-----------------------|------------------------|-----------------------|------------------------|-----------------------|------------------------|-----------------------|------------------------|-----------------------|------------------------|-----------------------|------------------------|--|
| | 60" | | 72" | | 84" | | 96" | | 108" | | 120" | | 132" | | 144" | | 156" | | 168" | | 180" | | 192" | | |
| | DESIGN PRESSURE (PSF) | REACTION AT ENDS (LBS) | DESIGN PRESSURE (PSF) | REACTION AT ENDS (LBS) | DESIGN PRESSURE (PSF) | REACTION AT ENDS (LBS) | DESIGN PRESSURE (PSF) | REACTION AT ENDS (LBS) | DESIGN PRESSURE (PSF) | REACTION AT ENDS (LBS) | DESIGN PRESSURE (PSF) | REACTION AT ENDS (LBS) | DESIGN PRESSURE (PSF) | REACTION AT ENDS (LBS) | DESIGN PRESSURE (PSF) | REACTION AT ENDS (LBS) | DESIGN PRESSURE (PSF) | REACTION AT ENDS (LBS) | DESIGN PRESSURE (PSF) | REACTION AT ENDS (LBS) | DESIGN PRESSURE (PSF) | REACTION AT ENDS (LBS) | DESIGN PRESSURE (PSF) | REACTION AT ENDS (LBS) | |
| 120" | 46.0 | 383.7 | 38.4 | 383.7 | 32.9 | 383.7 | 28.8 | 383.7 | 25.6 | 383.7 | | | | | | | | | | | | | | | |
| 108" | 63.2 | 473.7 | 52.6 | 473.7 | 45.1 | 473.7 | 39.5 | 473.7 | 35.1 | 473.7 | 31.6 | 473.7 | 28.7 | 473.7 | 26.3 | 473.7 | | | | | | | | | |
| 96" | 89.9 | 599.5 | 74.9 | 599.5 | 64.2 | 599.5 | 56.2 | 599.5 | 50.0 | 599.5 | 45.0 | 599.5 | 40.9 | 599.5 | 37.5 | 599.5 | 34.6 | 599.5 | 32.1 | 599.5 | 30.0 | 599.5 | 28.1 | 599.5 | |
| 84" | 120.0 | 700.0 | 111.9 | 783.0 | 95.9 | 783.0 | 83.9 | 783.0 | 74.6 | 783.0 | 67.1 | 783.0 | 61.0 | 783.0 | 55.9 | 783.0 | 51.6 | 783.0 | 47.9 | 783.0 | 44.7 | 783.0 | 41.9 | 783.0 | |
| 72" | 120.0 | 600.0 | 120.0 | 720.0 | 120.0 | 840.0 | 120.0 | 960.0 | 118.4 | 1065.7 | 106.6 | 1065.7 | 96.9 | 1065.7 | 88.8 | 1065.7 | 82.0 | 1065.7 | 76.1 | 1065.7 | 71.0 | 1065.7 | 66.6 | 1065.7 | |
| 60" | 120.0 | 500.0 | 120.0 | 600.0 | 120.0 | 700.0 | 120.0 | 800.0 | 120.0 | 900.0 | 120.0 | 1000.0 | 120.0 | 1100.0 | 120.0 | 1200.0 | 120.0 | 1300.0 | 120.0 | 1400.0 | 120.0 | 1500.0 | 115.1 | 1534.7 | |
| 48" | 120.0 | 400.0 | 120.0 | 480.0 | 120.0 | 560.0 | 120.0 | 640.0 | 120.0 | 720.0 | 120.0 | 800.0 | 120.0 | 880.0 | 120.0 | 960.0 | 120.0 | 1040.0 | 120.0 | 1120.0 | 120.0 | 1200.0 | 120.0 | 1280.0 | |
| 36" | 120.0 | 300.0 | 120.0 | 360.0 | 120.0 | 420.0 | 120.0 | 480.0 | 120.0 | 540.0 | 120.0 | 600.0 | 120.0 | 660.0 | 120.0 | 720.0 | 120.0 | 780.0 | 120.0 | 840.0 | 120.0 | 900.0 | 120.0 | 960.0 | |

SEE SHEET 12 FOR HEADER SCHEDULE NOTES.



ENGINEERING EXPRESS
 CORPORATE OFFICE:
 160 SW 12th AVE, SUITE 106
 DEERFIELD BEACH, FL 33442
 (954) 354-0660 | (866) 396-9999
 TEAM@ENGINEERINGEXPRESS.COM
 ENGINEERINGEXPRESS.COM

Town & Country INDUSTRIES
 Wholesale Aluminum and Building Products
 A Division of ABC Supply Co., Inc.
 400 WEST MCNAB ROAD
 FT. LAUDERDALE, FL 33309
 FL14235.3

| DRWN | CHKD | DATE |
|------|------|---------|
| KL | FLB | 4/25/14 |
| RWN | CSL | 4/08/15 |
| RWN | FLB | 8/07/17 |
| CCB | RWN | 6/30/20 |

REMARKS:
 2014 FBC
 2017 FBC
 2020 FBC

THIS DOCUMENT IS THE PROPERTY OF FRANK L. BENNARDO, P.E. AND SHALL NOT BE REPRODUCED IN WHOLE OR PART WITHOUT WRITTEN CONSENT OF FRANK L. BENNARDO, P.E. - ALTERATIONS, ADDITIONS, HIGHLIGHTING OR OTHER MARKINGS TO THIS DOCUMENT ARE NOT PERMITTED AND INVALIDATE OUR CERTIFICATION.

COPYRIGHT FRANK L. BENNARDO P.E.

20-26189b
 SCALE: -
 PAGE DESCRIPTION:

HEADER SCHEDULE: 4"x4"x1/8" HEADER

| HEADER LENGTH | STORM BAR HEIGHT | | | | | | | | | | | | | | | | | | | | | | | |
|---------------|-----------------------|------------------------|-----------------------|------------------------|-----------------------|------------------------|-----------------------|------------------------|-----------------------|------------------------|-----------------------|------------------------|-----------------------|------------------------|-----------------------|------------------------|-----------------------|------------------------|-----------------------|------------------------|-----------------------|------------------------|-----------------------|------------------------|
| | 60" | | 76" | | 92" | | 108" | | 124" | | 140" | | 156" | | 172" | | 188" | | 204" | | 220" | | 228" | |
| | DESIGN PRESSURE (PSF) | REACTION AT ENDS (LBS) | DESIGN PRESSURE (PSF) | REACTION AT ENDS (LBS) | DESIGN PRESSURE (PSF) | REACTION AT ENDS (LBS) | DESIGN PRESSURE (PSF) | REACTION AT ENDS (LBS) | DESIGN PRESSURE (PSF) | REACTION AT ENDS (LBS) | DESIGN PRESSURE (PSF) | REACTION AT ENDS (LBS) | DESIGN PRESSURE (PSF) | REACTION AT ENDS (LBS) | DESIGN PRESSURE (PSF) | REACTION AT ENDS (LBS) | DESIGN PRESSURE (PSF) | REACTION AT ENDS (LBS) | DESIGN PRESSURE (PSF) | REACTION AT ENDS (LBS) | DESIGN PRESSURE (PSF) | REACTION AT ENDS (LBS) | DESIGN PRESSURE (PSF) | REACTION AT ENDS (LBS) |
| 120" | 63.9 | 532.9 | 50.5 | 532.9 | 41.7 | 532.9 | 35.5 | 532.9 | 30.9 | 532.9 | 27.4 | 532.9 | | | | | | | | | | | | |
| 108" | 87.7 | 657.9 | 69.2 | 657.9 | 57.2 | 657.9 | 48.7 | 657.9 | 42.4 | 657.9 | 37.6 | 657.9 | 33.7 | 657.9 | 30.6 | 657.9 | 28.0 | 657.9 | 25.8 | 657.9 | | | | |
| 96" | 120.0 | 800.0 | 98.6 | 832.6 | 81.5 | 832.6 | 69.4 | 832.6 | 60.4 | 832.6 | 53.5 | 832.6 | 48.0 | 832.6 | 43.6 | 832.6 | 39.9 | 832.6 | 36.7 | 832.6 | 34.1 | 832.6 | 32.9 | 832.6 |
| 84" | 120.0 | 700.0 | 120.0 | 886.7 | 120.0 | 1073.3 | 103.6 | 1087.5 | 90.2 | 1087.5 | 79.9 | 1087.5 | 71.7 | 1087.5 | 65.0 | 1087.5 | 59.5 | 1087.5 | 54.8 | 1087.5 | 50.8 | 1087.5 | 49.1 | 1087.5 |
| 72" | 120.0 | 600.0 | 120.0 | 760.0 | 120.0 | 920.0 | 120.0 | 1080.0 | 120.0 | 1240.0 | 116.7 | 1361.9 | 104.8 | 1361.9 | 95.0 | 1361.9 | 86.9 | 1361.9 | 80.1 | 1361.9 | 74.3 | 1361.9 | 71.7 | 1361.9 |
| 60" | 120.0 | 500.0 | 120.0 | 633.3 | 120.0 | 766.7 | 120.0 | 900.0 | 120.0 | 1033.3 | 120.0 | 1166.7 | 120.0 | 1300.0 | 120.0 | 1433.3 | 120.0 | 1566.7 | 115.4 | 1634.3 | 107.0 | 1634.3 | 103.2 | 1634.3 |
| 48" | 120.0 | 400.0 | 120.0 | 506.7 | 120.0 | 613.3 | 120.0 | 720.0 | 120.0 | 826.7 | 120.0 | 933.3 | 120.0 | 1040.0 | 120.0 | 1146.7 | 120.0 | 1253.3 | 120.0 | 1360.0 | 120.0 | 1466.7 | 120.0 | 1520.0 |
| 36" | 120.0 | 300.0 | 120.0 | 380.0 | 120.0 | 460.0 | 120.0 | 540.0 | 120.0 | 620.0 | 120.0 | 700.0 | 120.0 | 780.0 | 120.0 | 860.0 | 120.0 | 940.0 | 120.0 | 1020.0 | 120.0 | 1100.0 | 120.0 | 1140.0 |

HEADER SCHEDULE: 4"x4"x1/4" HEADER

| HEADER LENGTH | STORM BAR HEIGHT | | | | | | | | | | | | | | | | | | | | | | | |
|---------------|-----------------------|------------------------|-----------------------|------------------------|-----------------------|------------------------|-----------------------|------------------------|-----------------------|------------------------|-----------------------|------------------------|-----------------------|------------------------|-----------------------|------------------------|-----------------------|------------------------|-----------------------|------------------------|-----------------------|------------------------|-----------------------|------------------------|
| | 60" | | 76" | | 92" | | 108" | | 124" | | 140" | | 156" | | 172" | | 188" | | 204" | | 220" | | 228" | |
| | DESIGN PRESSURE (PSF) | REACTION AT ENDS (LBS) | DESIGN PRESSURE (PSF) | REACTION AT ENDS (LBS) | DESIGN PRESSURE (PSF) | REACTION AT ENDS (LBS) | DESIGN PRESSURE (PSF) | REACTION AT ENDS (LBS) | DESIGN PRESSURE (PSF) | REACTION AT ENDS (LBS) | DESIGN PRESSURE (PSF) | REACTION AT ENDS (LBS) | DESIGN PRESSURE (PSF) | REACTION AT ENDS (LBS) | DESIGN PRESSURE (PSF) | REACTION AT ENDS (LBS) | DESIGN PRESSURE (PSF) | REACTION AT ENDS (LBS) | DESIGN PRESSURE (PSF) | REACTION AT ENDS (LBS) | DESIGN PRESSURE (PSF) | REACTION AT ENDS (LBS) | DESIGN PRESSURE (PSF) | REACTION AT ENDS (LBS) |
| 120" | 116.3 | 969.2 | 91.8 | 969.2 | 75.8 | 969.2 | 64.6 | 969.2 | 56.3 | 969.2 | 49.8 | 969.2 | 44.7 | 969.2 | 40.6 | 969.2 | 37.1 | 969.2 | 34.2 | 969.2 | 31.7 | 969.2 | 30.6 | 969.2 |
| 108" | 120.0 | 900.0 | 120.0 | 1140.0 | 104.0 | 1196.5 | 88.6 | 1196.5 | 77.2 | 1196.5 | 68.4 | 1196.5 | 61.4 | 1196.5 | 55.7 | 1196.5 | 50.9 | 1196.5 | 46.9 | 1196.5 | 43.5 | 1196.5 | 42.0 | 1196.5 |
| 96" | 120.0 | 800.0 | 120.0 | 1013.3 | 120.0 | 1226.7 | 120.0 | 1440.0 | 109.9 | 1514.3 | 97.4 | 1514.3 | 87.4 | 1514.3 | 79.2 | 1514.3 | 72.5 | 1514.3 | 66.8 | 1514.3 | 62.0 | 1514.3 | 59.8 | 1514.3 |
| 84" | 120.0 | 700.0 | 120.0 | 886.7 | 120.0 | 1073.3 | 120.0 | 1260.0 | 120.0 | 1446.7 | 120.0 | 1633.3 | 120.0 | 1820.0 | 118.3 | 1977.9 | 108.2 | 1977.9 | 99.7 | 1977.9 | 92.5 | 1977.9 | 89.2 | 1977.9 |
| 72" | 120.0 | 600.0 | 120.0 | 760.0 | 120.0 | 920.0 | 120.0 | 1080.0 | 120.0 | 1240.0 | 120.0 | 1400.0 | 120.0 | 1560.0 | 120.0 | 1720.0 | 120.0 | 1880.0 | 120.0 | 2040.0 | 120.0 | 2200.0 | 120.0 | 2280.0 |
| 60" | 120.0 | 500.0 | 120.0 | 633.3 | 120.0 | 766.7 | 120.0 | 900.0 | 120.0 | 1033.3 | 120.0 | 1166.7 | 120.0 | 1300.0 | 120.0 | 1433.3 | 120.0 | 1566.7 | 120.0 | 1700.0 | 120.0 | 1833.3 | 120.0 | 1900.0 |
| 48" | 120.0 | 400.0 | 120.0 | 506.7 | 120.0 | 613.3 | 120.0 | 720.0 | 120.0 | 826.7 | 120.0 | 933.3 | 120.0 | 1040.0 | 120.0 | 1146.7 | 120.0 | 1253.3 | 120.0 | 1360.0 | 120.0 | 1466.7 | 120.0 | 1520.0 |
| 36" | 120.0 | 300.0 | 120.0 | 380.0 | 120.0 | 460.0 | 120.0 | 540.0 | 120.0 | 620.0 | 120.0 | 700.0 | 120.0 | 780.0 | 120.0 | 860.0 | 120.0 | 940.0 | 120.0 | 1020.0 | 120.0 | 1100.0 | 120.0 | 1140.0 |

HEADER SCHEDULE: 4"x6"x1/4" HEADER

| HEADER LENGTH | STORM BAR HEIGHT | | | | | | | | | | | | | | | | | | | | | | | |
|---------------|-----------------------|------------------------|-----------------------|------------------------|-----------------------|------------------------|-----------------------|------------------------|-----------------------|------------------------|-----------------------|------------------------|-----------------------|------------------------|-----------------------|------------------------|-----------------------|------------------------|-----------------------|------------------------|-----------------------|------------------------|-----------------------|------------------------|
| | 60" | | 76" | | 92" | | 108" | | 124" | | 140" | | 156" | | 172" | | 188" | | 204" | | 220" | | 228" | |
| | DESIGN PRESSURE (PSF) | REACTION AT ENDS (LBS) | DESIGN PRESSURE (PSF) | REACTION AT ENDS (LBS) | DESIGN PRESSURE (PSF) | REACTION AT ENDS (LBS) | DESIGN PRESSURE (PSF) | REACTION AT ENDS (LBS) | DESIGN PRESSURE (PSF) | REACTION AT ENDS (LBS) | DESIGN PRESSURE (PSF) | REACTION AT ENDS (LBS) | DESIGN PRESSURE (PSF) | REACTION AT ENDS (LBS) | DESIGN PRESSURE (PSF) | REACTION AT ENDS (LBS) | DESIGN PRESSURE (PSF) | REACTION AT ENDS (LBS) | DESIGN PRESSURE (PSF) | REACTION AT ENDS (LBS) | DESIGN PRESSURE (PSF) | REACTION AT ENDS (LBS) | DESIGN PRESSURE (PSF) | REACTION AT ENDS (LBS) |
| 228" | 45.1 | 713.9 | 35.6 | 713.9 | 29.4 | 713.9 | 25.0 | 713.9 | | | | | | | | | | | | | | | | |
| 216" | 53.0 | 795.4 | 41.9 | 795.4 | 34.6 | 795.4 | 29.5 | 795.4 | 25.7 | 795.4 | | | | | | | | | | | | | | |
| 204" | 62.9 | 891.7 | 49.7 | 891.7 | 41.1 | 891.7 | 35.0 | 891.7 | 30.5 | 891.7 | 27.0 | 891.7 | | | | | | | | | | | | |
| 192" | 75.5 | 1006.7 | 59.6 | 1006.7 | 49.2 | 1006.7 | 41.9 | 1006.7 | 36.5 | 1006.7 | 32.4 | 1006.7 | 29.0 | 1006.7 | 26.3 | 1006.7 | | | | | | | | |
| 180" | 91.6 | 1145.3 | 72.3 | 1145.3 | 59.8 | 1145.3 | 50.9 | 1145.3 | 44.3 | 1145.3 | 39.3 | 1145.3 | 35.2 | 1145.3 | 32.0 | 1145.3 | 29.2 | 1145.3 | 26.9 | 1145.3 | | | | |
| 168" | 112.7 | 1314.8 | 89.0 | 1314.8 | 73.5 | 1314.8 | 62.6 | 1314.8 | 54.5 | 1314.8 | 48.3 | 1314.8 | 43.3 | 1314.8 | 39.3 | 1314.8 | 36.0 | 1314.8 | 33.1 | 1314.8 | 30.7 | 1314.8 | 29.7 | 1314.8 |
| 156" | 120.0 | 1300.0 | 111.1 | 1524.9 | 91.8 | 1524.9 | 78.2 | 1524.9 | 68.1 | 1524.9 | 60.3 | 1524.9 | 54.1 | 1524.9 | 49.1 | 1524.9 | 44.9 | 1524.9 | 41.4 | 1524.9 | 38.4 | 1524.9 | 37.0 | 1524.9 |
| 144" | 120.0 | 1200.0 | 120.0 | 1520.0 | 116.7 | 1789.6 | 99.4 | 1789.6 | 86.6 | 1789.6 | 76.7 | 1789.6 | 68.8 | 1789.6 | 62.4 | 1789.6 | 57.1 | 1789.6 | 52.6 | 1789.6 | 48.8 | 1789.6 | 47.1 | 1789.6 |
| 132" | 120.0 | 1100.0 | 120.0 | 1393.3 | 120.0 | 1686.7 | 120.0 | 1980.0 | 112.4 | 2129.8 | 99.6 | 2129.8 | 89.4 | 2129.8 | 81.0 | 2129.8 | 74.2 | 2129.8 | 68.3 | 2129.8 | 63.4 | 2129.8 | 61.1 | 2129.8 |
| 120" | 120.0 | 1000.0 | 120.0 | 1266.7 | 120.0 | 1533.3 | 120.0 | 1800.0 | 120.0 | 2066.7 | 120.0 | 2333.3 | 118.9 | 2577.0 | 107.9 | 2577.0 | 98.7 | 2577.0 | 91.0 | 2577.0 | 84.3 | 2577.0 | 81.4 | 2577.0 |
| 108" | 120.0 | 900.0 | 120.0 | 1140.0 | 120.0 | 1380.0 | 120.0 | 1620.0 | 120.0 | 1860.0 | 120.0 | 2100.0 | 120.0 | 2340.0 | 120.0 | 2580.0 | 120.0 | 2820.0 | 120.0 | 3060.0 | 115.7 | 3181.5 | 111.6 | 3181.5 |
| 96" | 120.0 | 800.0 | 120.0 | 1013.3 | 120.0 | 1226.7 | 120.0 | 1440.0 | 120.0 | 1653.3 | 120.0 | 1866.7 | 120.0 | 2080.0 | 120.0 | 2293.3 | 120.0 | 2506.7 | 120.0 | 2720.0 | 120.0 | 2933.3 | 120.0 | 3040.0 |
| 84" | 120.0 | 700.0 | 120.0 | 886.7 | 120.0 | 1073.3 | 120.0 | 1260.0 | 120.0 | 1446.7 | 120.0 | 1633.3 | 120.0 | 1820.0 | 120.0 | 2006.7 | 120.0 | 2193.3 | 120.0 | 2380.0 | 120.0 | 2566.7 | 120.0 | 2660.0 |
| 72" | 120.0 | 600.0 | 120.0 | 760.0 | 120.0 | 920.0 | 120.0 | 1080.0 | 120.0 | 1240.0 | 120.0 | 1400.0 | 120.0 | 1560.0 | 120.0 | 1720.0 | 120.0 | 1880.0 | 120.0 | 2040.0 | 120.0 | 2200.0 | 120.0 | 2280.0 |
| 60" | 120.0 | 500.0 | 120.0 | 633.3 | 120.0 | 766.7 | 120.0 | 900.0 | 120.0 | 1033.3 | 120.0 | 1166.7 | 120.0 | 1300.0 | 120.0 | 1433.3 | 120.0 | 1566.7 | 120.0 | 1700.0 | 120.0 | 1833.3 | 120.0 | 1900.0 |
| 48" | 120.0 | 400.0 | 120.0 | 506.7 | 120.0 | 613.3 | 120.0 | 720.0 | 120.0 | 826.7 | 120.0 | 933.3 | 120.0 | 1040.0 | 120.0 | 1146.7 | 120.0 | 1253.3 | 120.0 | 1360.0 | 120.0 | 1466.7 | 120.0 | 1520.0 |
| 36" | 120.0 | 300.0 | 120.0 | 380.0 | 120.0 | 460.0 | 120.0 | 540.0 | 120.0 | 620.0 | 120.0 | 700.0 | 120.0 | 780.0 | 120.0 | 860.0 | 120.0 | 940.0 | 120.0 | 1020.0 | 120.0 | 1100.0 | 120.0 | 1140.0 |

SEE SHEET 12 FOR
HEADER SCHEDULE NOTES.

FRANK BENNARDO, PE
PE# 0046549 CA#9885



ENGINEERING EXPRESS
CORPORATE OFFICE:
160 SW 12th AVE, SUITE 106
DEERFIELD BEACH, FL 33442
(954) 354-0660 | (866) 396-9999
TEAM@ENGINEERINGEXPRESS.COM
ENGINEERINGEXPRESS.COM

Town & Country INDUSTRIES
Wholesale Aluminum and Building Products
A Division of ABC Supply Co., Inc.
400 WEST MCNAB ROAD
FT. LAUDERDALE, FL 33309
FL14235.3

| REMARKS | DRWN | CHKD | DATE |
|------------|------|------|---------|
| INIT ISSUE | KL | FLB | 4/25/14 |
| 2014 FBC | RWN | CSL | 4/08/15 |
| 2017 FBC | RWN | FLB | 8/07/17 |
| 2020 FBC | CCB | RWN | 6/30/20 |

THIS DOCUMENT IS THE PROPERTY OF FRANK L. BENNARDO, P.E. AND SHALL NOT BE REPRODUCED IN WHOLE OR PART WITHOUT WRITTEN CONSENT OF FRANK L. BENNARDO, P.E. - ALTERATIONS, ADDITIONS, HIGHLIGHTING OR OTHER MARKINGS TO THIS DOCUMENT ARE NOT PERMITTED AND INVALIDATE OUR CERTIFICATION.

COPYRIGHT FRANK L. BENNARDO P.E.

20-26189b

SCALE: -

PAGE DESCRIPTION:

HEADER SCHEDULE: 4"x8"x1/4" HEADER

| HEADER LENGTH | STORM BAR HEIGHT | | | | | | | | | | | | | | | | | | | | | | | |
|---------------|-----------------------|------------------------|-----------------------|------------------------|-----------------------|------------------------|-----------------------|------------------------|-----------------------|------------------------|-----------------------|------------------------|-----------------------|------------------------|-----------------------|------------------------|-----------------------|------------------------|-----------------------|------------------------|-----------------------|------------------------|-----------------------|------------------------|
| | 60" | | 76" | | 92" | | 108" | | 124" | | 140" | | 156" | | 172" | | 188" | | 204" | | 220" | | 228" | |
| | DESIGN PRESSURE (PSF) | REACTION AT ENDS (LBS) | DESIGN PRESSURE (PSF) | REACTION AT ENDS (LBS) | DESIGN PRESSURE (PSF) | REACTION AT ENDS (LBS) | DESIGN PRESSURE (PSF) | REACTION AT ENDS (LBS) | DESIGN PRESSURE (PSF) | REACTION AT ENDS (LBS) | DESIGN PRESSURE (PSF) | REACTION AT ENDS (LBS) | DESIGN PRESSURE (PSF) | REACTION AT ENDS (LBS) | DESIGN PRESSURE (PSF) | REACTION AT ENDS (LBS) | DESIGN PRESSURE (PSF) | REACTION AT ENDS (LBS) | DESIGN PRESSURE (PSF) | REACTION AT ENDS (LBS) | DESIGN PRESSURE (PSF) | REACTION AT ENDS (LBS) | DESIGN PRESSURE (PSF) | REACTION AT ENDS (LBS) |
| 228" | 91.5 | 1448.2 | 91.5 | 1448.2 | 91.5 | 1448.2 | 91.5 | 1448.2 | 91.5 | 1448.2 | 91.5 | 1448.2 | 91.5 | 1448.2 | 91.5 | 1448.2 | 91.5 | 1448.2 | 91.5 | 1448.2 | 91.5 | 1448.2 | 91.5 | 1448.2 |
| 216" | 107.6 | 1613.5 | 107.6 | 1613.5 | 107.6 | 1613.5 | 107.6 | 1613.5 | 107.6 | 1613.5 | 107.6 | 1613.5 | 107.6 | 1613.5 | 107.6 | 1613.5 | 107.6 | 1613.5 | 107.6 | 1613.5 | 107.6 | 1613.5 | 107.6 | 1613.5 |
| 204" | 120.0 | 1700.0 | 120.0 | 1700.0 | 120.0 | 1700.0 | 120.0 | 1700.0 | 120.0 | 1700.0 | 120.0 | 1700.0 | 120.0 | 1700.0 | 120.0 | 1700.0 | 120.0 | 1700.0 | 120.0 | 1700.0 | 120.0 | 1700.0 | 120.0 | 1700.0 |
| 192" | 120.0 | 1600.0 | 120.0 | 1600.0 | 120.0 | 1600.0 | 120.0 | 1600.0 | 120.0 | 1600.0 | 120.0 | 1600.0 | 120.0 | 1600.0 | 120.0 | 1600.0 | 120.0 | 1600.0 | 120.0 | 1600.0 | 120.0 | 1600.0 | 120.0 | 1600.0 |
| 180" | 120.0 | 1500.0 | 120.0 | 1500.0 | 120.0 | 1500.0 | 120.0 | 1500.0 | 120.0 | 1500.0 | 120.0 | 1500.0 | 120.0 | 1500.0 | 120.0 | 1500.0 | 120.0 | 1500.0 | 120.0 | 1500.0 | 120.0 | 1500.0 | 120.0 | 1500.0 |
| 168" | 120.0 | 1400.0 | 120.0 | 1400.0 | 120.0 | 1400.0 | 120.0 | 1400.0 | 120.0 | 1400.0 | 120.0 | 1400.0 | 120.0 | 1400.0 | 120.0 | 1400.0 | 120.0 | 1400.0 | 120.0 | 1400.0 | 120.0 | 1400.0 | 120.0 | 1400.0 |
| 156" | 120.0 | 1300.0 | 120.0 | 1300.0 | 120.0 | 1300.0 | 120.0 | 1300.0 | 120.0 | 1300.0 | 120.0 | 1300.0 | 120.0 | 1300.0 | 120.0 | 1300.0 | 120.0 | 1300.0 | 120.0 | 1300.0 | 120.0 | 1300.0 | 120.0 | 1300.0 |
| 144" | 120.0 | 1200.0 | 120.0 | 1200.0 | 120.0 | 1200.0 | 120.0 | 1200.0 | 120.0 | 1200.0 | 120.0 | 1200.0 | 120.0 | 1200.0 | 120.0 | 1200.0 | 120.0 | 1200.0 | 120.0 | 1200.0 | 120.0 | 1200.0 | 120.0 | 1200.0 |
| 132" | 120.0 | 1100.0 | 120.0 | 1100.0 | 120.0 | 1100.0 | 120.0 | 1100.0 | 120.0 | 1100.0 | 120.0 | 1100.0 | 120.0 | 1100.0 | 120.0 | 1100.0 | 120.0 | 1100.0 | 120.0 | 1100.0 | 120.0 | 1100.0 | 120.0 | 1100.0 |
| 120" | 120.0 | 1000.0 | 120.0 | 1000.0 | 120.0 | 1000.0 | 120.0 | 1000.0 | 120.0 | 1000.0 | 120.0 | 1000.0 | 120.0 | 1000.0 | 120.0 | 1000.0 | 120.0 | 1000.0 | 120.0 | 1000.0 | 120.0 | 1000.0 | 120.0 | 1000.0 |
| 108" | 120.0 | 900.0 | 120.0 | 900.0 | 120.0 | 900.0 | 120.0 | 900.0 | 120.0 | 900.0 | 120.0 | 900.0 | 120.0 | 900.0 | 120.0 | 900.0 | 120.0 | 900.0 | 120.0 | 900.0 | 120.0 | 900.0 | 120.0 | 900.0 |
| 96" | 120.0 | 800.0 | 120.0 | 800.0 | 120.0 | 800.0 | 120.0 | 800.0 | 120.0 | 800.0 | 120.0 | 800.0 | 120.0 | 800.0 | 120.0 | 800.0 | 120.0 | 800.0 | 120.0 | 800.0 | 120.0 | 800.0 | 120.0 | 800.0 |
| 84" | 120.0 | 700.0 | 120.0 | 700.0 | 120.0 | 700.0 | 120.0 | 700.0 | 120.0 | 700.0 | 120.0 | 700.0 | 120.0 | 700.0 | 120.0 | 700.0 | 120.0 | 700.0 | 120.0 | 700.0 | 120.0 | 700.0 | 120.0 | 700.0 |
| 72" | 120.0 | 600.0 | 120.0 | 600.0 | 120.0 | 600.0 | 120.0 | 600.0 | 120.0 | 600.0 | 120.0 | 600.0 | 120.0 | 600.0 | 120.0 | 600.0 | 120.0 | 600.0 | 120.0 | 600.0 | 120.0 | 600.0 | 120.0 | 600.0 |
| 60" | 120.0 | 500.0 | 120.0 | 500.0 | 120.0 | 500.0 | 120.0 | 500.0 | 120.0 | 500.0 | 120.0 | 500.0 | 120.0 | 500.0 | 120.0 | 500.0 | 120.0 | 500.0 | 120.0 | 500.0 | 120.0 | 500.0 | 120.0 | 500.0 |
| 48" | 120.0 | 400.0 | 120.0 | 400.0 | 120.0 | 400.0 | 120.0 | 400.0 | 120.0 | 400.0 | 120.0 | 400.0 | 120.0 | 400.0 | 120.0 | 400.0 | 120.0 | 400.0 | 120.0 | 400.0 | 120.0 | 400.0 | 120.0 | 400.0 |
| 36" | 120.0 | 300.0 | 120.0 | 300.0 | 120.0 | 300.0 | 120.0 | 300.0 | 120.0 | 300.0 | 120.0 | 300.0 | 120.0 | 300.0 | 120.0 | 300.0 | 120.0 | 300.0 | 120.0 | 300.0 | 120.0 | 300.0 | 120.0 | 300.0 |

HEADER SCHEDULE: 2"x4"x1/8" WITH 1.75"x3.75"x0.125" STEEL REINFORCEMENT*

| HEADER LENGTH | STORM BAR HEIGHT | | | | | | | | | | | | | | | | | | | | | | | |
|---------------|-----------------------|------------------------|-----------------------|------------------------|-----------------------|------------------------|-----------------------|------------------------|-----------------------|------------------------|-----------------------|------------------------|-----------------------|------------------------|-----------------------|------------------------|-----------------------|------------------------|-----------------------|------------------------|-----------------------|------------------------|-----------------------|------------------------|
| | 60" | | 76" | | 92" | | 108" | | 124" | | 140" | | 156" | | 172" | | 188" | | 204" | | 220" | | 228" | |
| | DESIGN PRESSURE (PSF) | REACTION AT ENDS (LBS) | DESIGN PRESSURE (PSF) | REACTION AT ENDS (LBS) | DESIGN PRESSURE (PSF) | REACTION AT ENDS (LBS) | DESIGN PRESSURE (PSF) | REACTION AT ENDS (LBS) | DESIGN PRESSURE (PSF) | REACTION AT ENDS (LBS) | DESIGN PRESSURE (PSF) | REACTION AT ENDS (LBS) | DESIGN PRESSURE (PSF) | REACTION AT ENDS (LBS) | DESIGN PRESSURE (PSF) | REACTION AT ENDS (LBS) | DESIGN PRESSURE (PSF) | REACTION AT ENDS (LBS) | DESIGN PRESSURE (PSF) | REACTION AT ENDS (LBS) | DESIGN PRESSURE (PSF) | REACTION AT ENDS (LBS) | DESIGN PRESSURE (PSF) | REACTION AT ENDS (LBS) |
| 120" | 48.3 | 402.2 | 38.1 | 402.2 | 31.5 | 402.2 | 26.8 | 402.2 | | | | | | | | | | | | | | | | |
| 108" | 66.2 | 496.5 | 52.3 | 496.5 | 43.2 | 496.5 | 36.8 | 496.5 | 32.0 | 496.5 | 28.4 | 496.5 | 25.5 | 496.5 | | | | | | | | | | |
| 96" | 94.3 | 628.4 | 74.4 | 628.4 | 61.5 | 628.4 | 52.4 | 628.4 | 45.6 | 628.4 | 40.4 | 628.4 | 36.3 | 628.4 | 32.9 | 628.4 | 30.1 | 628.4 | 27.7 | 628.4 | 25.7 | 628.4 | | |
| 84" | 120.0 | 700.0 | 111.1 | 820.8 | 91.8 | 820.8 | 78.2 | 820.8 | 68.1 | 820.8 | 60.3 | 820.8 | 54.1 | 820.8 | 49.1 | 820.8 | 44.9 | 820.8 | 41.4 | 820.8 | 38.4 | 820.8 | 37.0 | 820.8 |
| 72" | 120.0 | 600.0 | 120.0 | 760.0 | 120.0 | 920.0 | 120.0 | 1080.0 | 108.1 | 1117.2 | 95.8 | 1117.2 | 85.9 | 1117.2 | 77.9 | 1117.2 | 71.3 | 1117.2 | 65.7 | 1117.2 | 60.9 | 1117.2 | 58.8 | 1117.2 |
| 60" | 120.0 | 500.0 | 120.0 | 633.3 | 120.0 | 766.7 | 120.0 | 900.0 | 120.0 | 1033.3 | 120.0 | 1166.7 | 120.0 | 1300.0 | 120.0 | 1433.3 | 115.1 | 1503.1 | 106.1 | 1503.1 | 98.4 | 1503.1 | 94.9 | 1503.1 |
| 48" | 120.0 | 400.0 | 120.0 | 506.7 | 120.0 | 613.3 | 120.0 | 720.0 | 120.0 | 826.7 | 120.0 | 933.3 | 120.0 | 1040.0 | 120.0 | 1146.7 | 120.0 | 1253.3 | 120.0 | 1360.0 | 120.0 | 1466.7 | 120.0 | 1520.0 |
| 36" | 120.0 | 300.0 | 120.0 | 380.0 | 120.0 | 460.0 | 120.0 | 540.0 | 120.0 | 620.0 | 120.0 | 700.0 | 120.0 | 780.0 | 120.0 | 860.0 | 120.0 | 940.0 | 120.0 | 1020.0 | 120.0 | 1100.0 | 120.0 | 1140.0 |

HEADER SCHEDULE: 2"x5"x1/8" WITH 1.75"x4.75"x0.125" STEEL REINFORCEMENT*

| HEADER LENGTH | STORM BAR HEIGHT | | | | | | | | | | | | | | | | | | | | | | | |
|---------------|-----------------------|------------------------|-----------------------|------------------------|-----------------------|------------------------|-----------------------|------------------------|-----------------------|------------------------|-----------------------|------------------------|-----------------------|------------------------|-----------------------|------------------------|-----------------------|------------------------|-----------------------|------------------------|-----------------------|------------------------|-----------------------|------------------------|
| | 60" | | 76" | | 92" | | 108" | | 124" | | 140" | | 156" | | 172" | | 188" | | 204" | | 220" | | 228" | |
| | DESIGN PRESSURE (PSF) | REACTION AT ENDS (LBS) | DESIGN PRESSURE (PSF) | REACTION AT ENDS (LBS) | DESIGN PRESSURE (PSF) | REACTION AT ENDS (LBS) | DESIGN PRESSURE (PSF) | REACTION AT ENDS (LBS) | DESIGN PRESSURE (PSF) | REACTION AT ENDS (LBS) | DESIGN PRESSURE (PSF) | REACTION AT ENDS (LBS) | DESIGN PRESSURE (PSF) | REACTION AT ENDS (LBS) | DESIGN PRESSURE (PSF) | REACTION AT ENDS (LBS) | DESIGN PRESSURE (PSF) | REACTION AT ENDS (LBS) | DESIGN PRESSURE (PSF) | REACTION AT ENDS (LBS) | DESIGN PRESSURE (PSF) | REACTION AT ENDS (LBS) | DESIGN PRESSURE (PSF) | REACTION AT ENDS (LBS) |
| 120" | 84.4 | 703.1 | 66.6 | 703.1 | 55.0 | 703.1 | 46.9 | 703.1 | 40.8 | 703.1 | 36.2 | 703.1 | 32.5 | 703.1 | 29.4 | 703.1 | 26.9 | 703.1 | | | | | | |
| 108" | 115.7 | 868.1 | 91.4 | 868.1 | 75.5 | 868.1 | 64.3 | 868.1 | 56.0 | 868.1 | 49.6 | 868.1 | 44.5 | 868.1 | 40.4 | 868.1 | 36.9 | 868.1 | 34.0 | 868.1 | 31.6 | 868.1 | 30.5 | 868.1 |
| 96" | 120.0 | 800.0 | 120.0 | 1013.3 | 107.5 | 1098.6 | 91.6 | 1098.6 | 79.7 | 1098.6 | 70.6 | 1098.6 | 63.4 | 1098.6 | 57.5 | 1098.6 | 52.6 | 1098.6 | 48.5 | 1098.6 | 44.9 | 1098.6 | 43.4 | 1098.6 |
| 84" | 120.0 | 700.0 | 120.0 | 886.7 | 120.0 | 1073.3 | 120.0 | 1260.0 | 119.0 | 1435.0 | 105.4 | 1435.0 | 94.6 | 1435.0 | 85.8 | 1435.0 | 78.5 | 1435.0 | 72.4 | 1435.0 | 67.1 | 1435.0 | 64.7 | 1435.0 |
| 72" | 120.0 | 600.0 | 120.0 | 760.0 | 120.0 | 920.0 | 120.0 | 1080.0 | 120.0 | 1240.0 | 120.0 | 1400.0 | 120.0 | 1560.0 | 120.0 | 1720.0 | 110.8 | 1735.2 | 102.1 | 1735.2 | 94.6 | 1735.2 | 91.3 | 1735.2 |
| 60" | 120.0 | 500.0 | 120.0 | 633.3 | 120.0 | 766.7 | 120.0 | 900.0 | 120.0 | 1033.3 | 120.0 | 1166.7 | 120.0 | 1300.0 | 120.0 | 1433.3 | 120.0 | 1566.7 | 120.0 | 1700.0 | 120.0 | 1833.3 | 120.0 | 1900.0 |
| 48" | 120.0 | 400.0 | 120.0 | 506.7 | 120.0 | 613.3 | 120.0 | 720.0 | 120.0 | 826.7 | 120.0 | 933.3 | 120.0 | 1040.0 | 120.0 | 1146.7 | 120.0 | 1253.3 | 120.0 | 1360.0 | 120.0 | 1466.7 | 120.0 | 1520.0 |
| 36" | 120.0 | 300.0 | 120.0 | 380.0 | 120.0 | 460.0 | 120.0 | 540.0 | 120.0 | 620.0 | 120.0 | 700.0 | 120.0 | 780.0 | 120.0 | 860.0 | 120.0 | 940.0 | 120.0 | 1020.0 | 120.0 | 1100.0 | 120.0 | 1140.0 |

***NOTE:** STEEL REINFORCEMENT LENGTH SHALL BE A MINIMUM OF 90% THE MULLION LENGTH, LOCATED AT THE CENTER OF THE MULLION AND FASTENED IN PLACE WITH #14 18-8 SS OR COATED SAE GR. 5 STEEL SMS OR SDS AT 12" O.C. MAX STAGGERED ALONG THE FULL REINFORCEMENT LENGTH. (REFERENCE STEEL REINFORCEMENT DETAIL 1/2)

SEE SHEET 12 FOR HEADER SCHEDULE NOTES.

FRANK BENNARDO, PE
PE# 0046549 CA#9885



ENGINEERING EXPRESS
CORPORATE OFFICE:
160 SW 12th AVE, SUITE 106
DEERFIELD BEACH, FL 33442
(954) 354-0660 | (866) 396-9999
TEAM@ENGINEERINGEXPRESS.COM
ENGINEERINGEXPRESS.COM

Town & Country INDUSTRIES
Wholesale Aluminum and Building Products
A Division of ABC Supply Co., Inc.
400 WEST MCNAB ROAD
FT. LAUDERDALE, FL 33309
FL14235.3

| REMARKS | DRWN | CHKD | DATE |
|------------|------|------|---------|
| INIT ISSUE | KL | FLB | 4/25/14 |
| 2014 FBC | RWN | CSL | 4/08/15 |
| 2017 FBC | RWN | FLB | 8/07/17 |
| 2020 FBC | CCB | RWN | 6/30/20 |

THIS DOCUMENT IS THE PROPERTY OF FRANK L. BENNARDO, P.E. AND SHALL NOT BE REPRODUCED IN WHOLE OR PART WITHOUT WRITTEN CONSENT OF FRANK L. BENNARDO, P.E. *ALTERATIONS, ADDITIONS, HIGHLIGHTING OR OTHER MARKINGS TO THIS DOCUMENT ARE NOT PERMITTED AND INVALIDATE OUR CERTIFICATION.

COPYRIGHT FRANK L. BENNARDO P.E.

20-26189b


SCALE: -

PAGE DESCRIPTION:

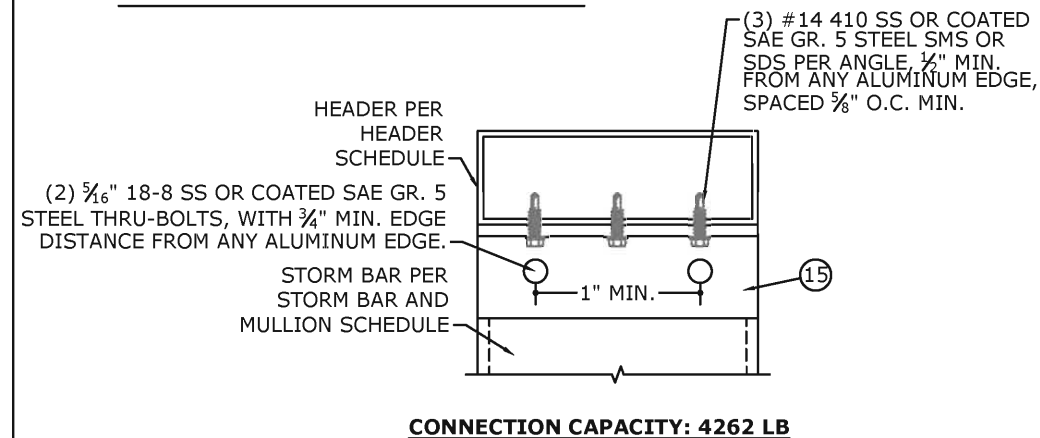
HEADER SCHEDULE: 2"x6"x1/8" WITH 1.75"x5.75"x0.125" STEEL REINFORCEMENT*

| HEADER LENGTH | 60" | | 76" | | 92" | | 108" | | 124" | | 140" | | 156" | | 172" | | 188" | | 204" | | 220" | | 228" | |
|---------------|-----------------------|------------------------|-----------------------|------------------------|-----------------------|------------------------|-----------------------|------------------------|-----------------------|------------------------|-----------------------|------------------------|-----------------------|------------------------|-----------------------|------------------------|-----------------------|------------------------|-----------------------|------------------------|-----------------------|------------------------|-----------------------|------------------------|
| | DESIGN PRESSURE (PSF) | REACTION AT ENDS (LBS) | DESIGN PRESSURE (PSF) | REACTION AT ENDS (LBS) | DESIGN PRESSURE (PSF) | REACTION AT ENDS (LBS) | DESIGN PRESSURE (PSF) | REACTION AT ENDS (LBS) | DESIGN PRESSURE (PSF) | REACTION AT ENDS (LBS) | DESIGN PRESSURE (PSF) | REACTION AT ENDS (LBS) | DESIGN PRESSURE (PSF) | REACTION AT ENDS (LBS) | DESIGN PRESSURE (PSF) | REACTION AT ENDS (LBS) | DESIGN PRESSURE (PSF) | REACTION AT ENDS (LBS) | DESIGN PRESSURE (PSF) | REACTION AT ENDS (LBS) | DESIGN PRESSURE (PSF) | REACTION AT ENDS (LBS) | DESIGN PRESSURE (PSF) | REACTION AT ENDS (LBS) |
| 120" | 120.0 | 1000.0 | 105.9 | 1117.5 | 87.5 | 1117.5 | 74.5 | 1117.5 | 64.9 | 1117.5 | 57.5 | 1117.5 | 51.6 | 1117.5 | 46.8 | 1117.5 | 42.8 | 1117.5 | 39.4 | 1117.5 | 36.6 | 1117.5 | 35.3 | 1117.5 |
| 108" | 120.0 | 900.0 | 120.0 | 1140.0 | 112.1 | 1289.4 | 95.5 | 1289.4 | 83.2 | 1289.4 | 73.7 | 1289.4 | 66.1 | 1289.4 | 60.0 | 1289.4 | 54.9 | 1289.4 | 50.6 | 1289.4 | 46.9 | 1289.4 | 45.2 | 1289.4 |
| 96" | 120.0 | 800.0 | 120.0 | 1013.3 | 120.0 | 1226.7 | 120.0 | 1440.0 | 110.3 | 1519.8 | 97.7 | 1519.8 | 87.7 | 1519.8 | 79.5 | 1519.8 | 72.8 | 1519.8 | 67.0 | 1519.8 | 62.2 | 1519.8 | 60.0 | 1519.8 |
| 84" | 120.0 | 700.0 | 120.0 | 886.7 | 120.0 | 1073.3 | 120.0 | 1260.0 | 120.0 | 1446.7 | 120.0 | 1633.3 | 120.0 | 1820.0 | 110.3 | 1844.9 | 100.9 | 1844.9 | 93.0 | 1844.9 | 86.3 | 1844.9 | 83.2 | 1844.9 |
| 72" | 120.0 | 600.0 | 120.0 | 760.0 | 120.0 | 920.0 | 120.0 | 1080.0 | 120.0 | 1240.0 | 120.0 | 1400.0 | 120.0 | 1560.0 | 120.0 | 1720.0 | 120.0 | 1880.0 | 120.0 | 2040.0 | 120.0 | 2200.0 | 120.0 | 2280.0 |
| 60" | 120.0 | 500.0 | 120.0 | 633.3 | 120.0 | 766.7 | 120.0 | 900.0 | 120.0 | 1033.3 | 120.0 | 1166.7 | 120.0 | 1300.0 | 120.0 | 1433.3 | 120.0 | 1566.7 | 120.0 | 1700.0 | 120.0 | 1833.3 | 120.0 | 1900.0 |
| 48" | 120.0 | 400.0 | 120.0 | 506.7 | 120.0 | 613.3 | 120.0 | 720.0 | 120.0 | 826.7 | 120.0 | 933.3 | 120.0 | 1040.0 | 120.0 | 1146.7 | 120.0 | 1253.3 | 120.0 | 1360.0 | 120.0 | 1466.7 | 120.0 | 1520.0 |
| 36" | 120.0 | 300.0 | 120.0 | 380.0 | 120.0 | 460.0 | 120.0 | 540.0 | 120.0 | 620.0 | 120.0 | 700.0 | 120.0 | 780.0 | 120.0 | 860.0 | 120.0 | 940.0 | 120.0 | 1020.0 | 120.0 | 1100.0 | 120.0 | 1140.0 |

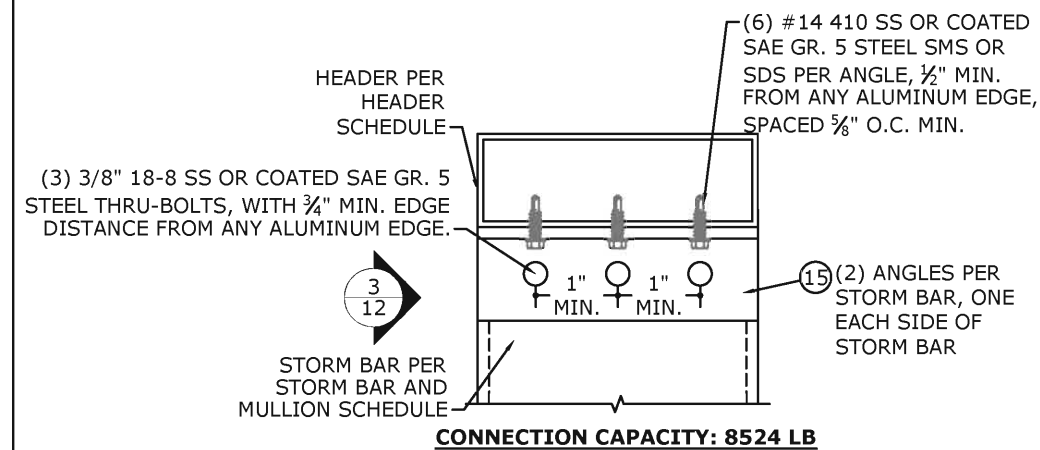
HEADER SCHEDULE NOTES:

- PRESSURES SHOWN IN "HEADER SCHEDULE" ARE MAXIMUM ALLOWABLE POSITIVE AND NEGATIVE DESIGN PRESSURES AT EACH RESPECTIVE HEADER LENGTH AND STORM BAR HEIGHT. DESIGN PRESSURES ARE APPLICABLE TO BOTH DOUBLE-SPAN AND TRIPLE-SPAN CONDITIONS.
- "HEADER SCHEDULES" ARE APPLICABLE TO ALL HEADERS.
- SEE SHEET 2 FOR HEADER AND REINFORCEMENT DETAIL AND MATERIALS.
- ALLOWABLE DESIGN PRESSURES AND STORM BAR HEIGHTS INDICATED ARE FOR DETERMINING PERMISSIBLE HEADER LENGTHS ONLY. ACTUAL STORM BAR HEIGHT AND DESIGN PRESSURES SHALL NOT EXCEED THOSE INDICATED IN "STORM BAR AND MULLION SCHEDULES" AS APPLICABLE.
- "REACTION AT ENDS" IS LISTED FOR EACH COMBINATION OF DESIGN LOAD, HEADER LENGTH, & STORM BAR HEIGHT. CHOOSE MOUNTING CONNECTIONS (PER APPLICABLE CONNECTION DETAILS HEREIN) THAT PROVIDES "CONNECTION CAPACITY" GREATER THAN OR EQUAL TO "REACTION AT ENDS" GIVEN ABOVE.
- THIS SCHEDULE MAY BE USED FOR ALL MOUNTING CONDITIONS LISTED HEREIN.
-  DENOTES CONDITIONS NOT APPROVED FOR USE.

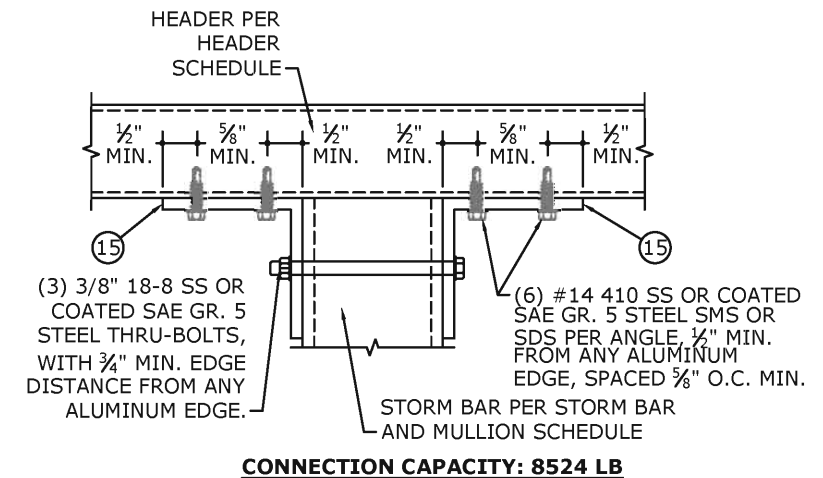
STORM BAR TO HEADER CONNECTION DETAILS



1 STORM BAR TO HEADER
12 N.T.S. VERT SECTION



2 STORM BAR TO HEADER
12 N.T.S. VERT SECTION



3 STORM BAR TO HEADER
12 N.T.S. VERT SECTION

***NOTE:** STEEL REINFORCEMENT LENGTH SHALL BE A MINIMUM OF 90% THE MULLION LENGTH, LOCATED AT THE CENTER OF THE MULLION AND FASTENED IN PLACE WITH #14 18-8 SS OR COATED SAE GR. 5 STEEL SMS OR SDS AT 12" O.C. MAX STAGGERED ALONG THE FULL REINFORCEMENT LENGTH. (REFERENCE STEEL REINFORCEMENT DETAIL 1/2)

FRANK BENNARDO, PE
PE# 0046549 CA#9885



ENGINEERING EXPRESS
CORPORATE OFFICE:
160 SW 12th AVE, SUITE 106
DEERFIELD BEACH, FL 33442
(954) 354-0660 | (866) 396-9999
TEAM@ENGINEERINGEXPRESS.COM
ENGINEERINGEXPRESS.COM

Town & Country INDUSTRIES
Wholesale Aluminum and Building Products
A Division of ABC Supply Co., Inc.
400 WEST MCNAB ROAD
FT. LAUDERDALE, FL 33309
FL14235.3

| DRWN | CHKD | DATE |
|------|------|---------|
| KL | FLB | 4/25/14 |
| RWN | CSL | 4/08/15 |
| RWN | FLB | 8/07/17 |
| CCB | RWN | 6/30/20 |

| REMARKS | INIT | ISSUE |
|----------|------|-------|
| 2014 FBC | | |
| 2017 FBC | | |
| 2020 FBC | | |

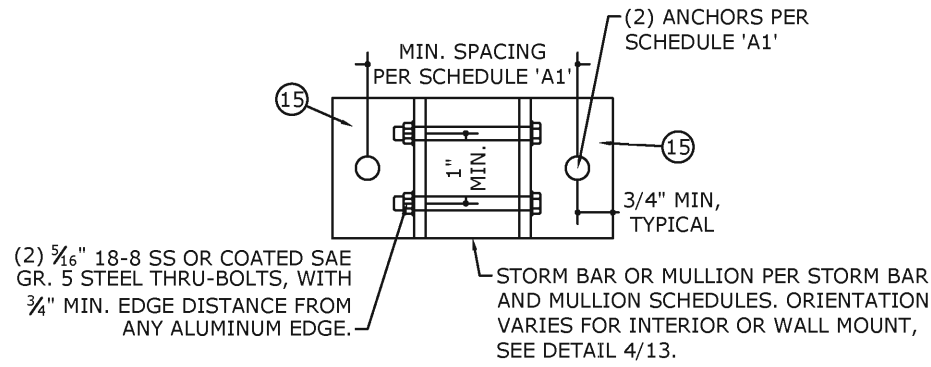
THIS DOCUMENT IS THE PROPERTY OF FRANK L. BENNARDO, P.E. AND SHALL NOT BE REPRODUCED IN WHOLE OR PART WITHOUT WRITTEN CONSENT OF FRANK L. BENNARDO, P.E. *ALTERATIONS, ADDITIONS, HIGHLIGHTING OR OTHER MARKINGS TO THIS DOCUMENT ARE NOT PERMITTED AND INVALIDATE OUR CERTIFICATION.

COPYRIGHT FRANK L. BENNARDO P.E.

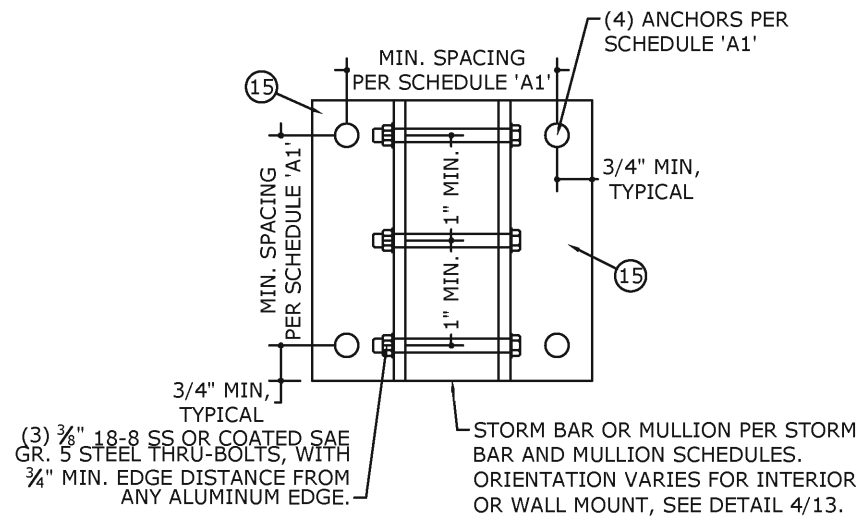
20-26189b

SCALE: -
PAGE DESCRIPTION:

STORM BAR AND MULLION CONNECTION DETAILS



1 END CONNECTION INTERIOR OR WALL MOUNT
13 N.T.S.



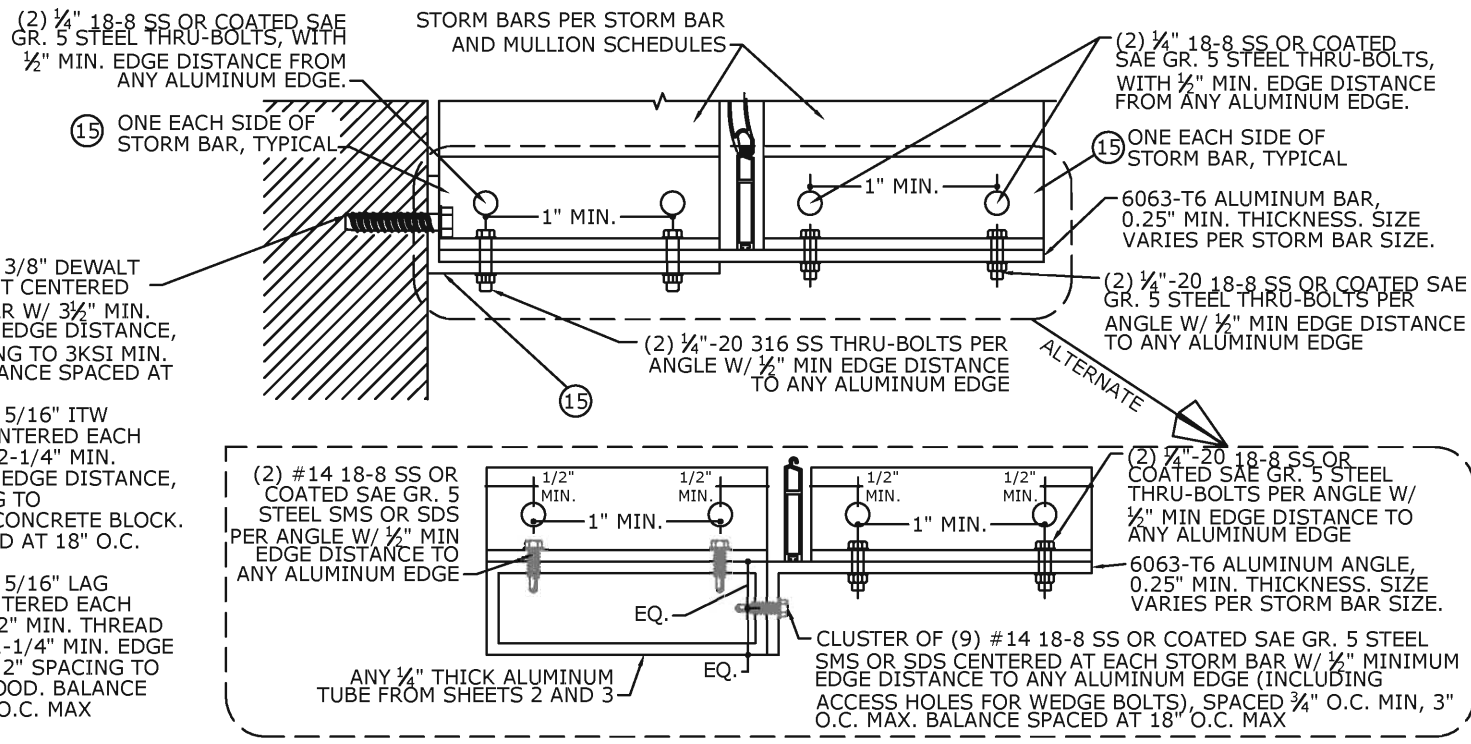
2 END CONNECTION INTERIOR OR WALL MOUNT
13 N.T.S.

ANCHOR NOTES:

1. ANCHORS SHALL BE INSTALLED IN ACCORDANCE WITH MANUFACTURERS' RECOMMENDATIONS.
2. MINIMUM EMBEDMENT SHALL BE AS NOTED IN ANCHOR SCHEDULE. MINIMUM EMBEDMENT AND EDGE DISTANCE EXCLUDES STUCCO, FOAM, BRICK, AND OTHER WALL FINISHES.
3. ANCHOR SCHEDULE APPLIES TO ALL PRODUCTS CERTIFIED HEREIN.
4. WHERE EXISTING STRUCTURE IS WOOD FRAMING, EXISTING CONDITIONS MAY VARY. FIELD VERIFY THAT FASTENERS ARE INTO ADEQUATE WOOD FRAMING MEMBERS, NOT INTO PLYWOOD.
5. MACHINE SCREWS SHALL HAVE MINIMUM OF 5/8" ENGAGEMENT OF THREADS IN BASE ANCHOR AND MAY HAVE EITHER A PAN HEAD, TRUSS HEAD, OR WAFER HEAD ("SIDEWALK BOLT") U.N.O.
6. * ANCHOR SHALL PENETRATE THROUGH FACE SHELL INTO GROUTED CELL.

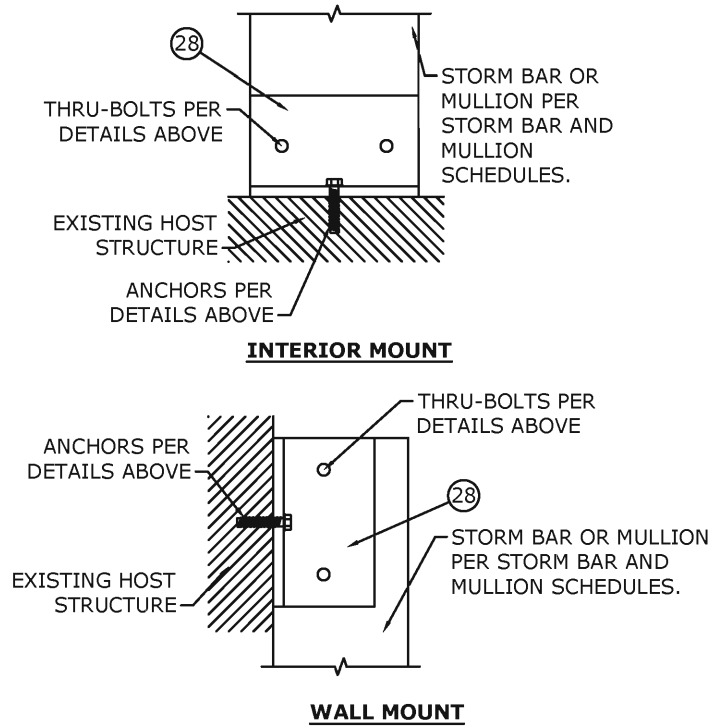
SCHEDULE 'A1'

| ANCHOR TYPE | MINIMUM SPACING | MINIMUM EDGE DISTANCE | CONNECTION DETAIL | MOUNTING CONDITION | CONNECTION CAPACITY |
|--|-----------------|-----------------------|-------------------|--------------------|---------------------|
| 3/8" DEWALT SCREW BOLTS W/ 3-1/2" EMBED TO 3KSI MIN. CONCRETE | 4.5" | 4.5" | 1/13 | WALL MOUNT | 4332 LB |
| | | | | INTERIOR MOUNT | 3065 LB |
| 3/8" DEWALT STEEL DROPIN W/ 1-9/16" EMBED TO 3KSI MIN. CONCRETE | 4.5" | 5.25" | 1/13 | WALL MOUNT | 1590 LB |
| | | | | INTERIOR MOUNT | 2290 LB |
| 3/8" DEWALT SCREW BOLTS W/ 3-1/2" EMBED TO GROUT-FILLED CONCRETE BLOCK* | 6.0" | 12.0" | 1/13 | WALL MOUNT | 8820 LB |
| | | | | INTERIOR MOUNT | 6130 LB |
| 5/16" ITW TAPCON XL OR DEWALT ULTRACON W/ 2-1/4" MIN. EMBED TO 3.5KSI MIN. CONCRETE | 5.0" | 3.125" | 1/13 | WALL MOUNT | 1576 LB |
| | | | | INTERIOR MOUNT | 1702 LB |
| 5/16" ITW TAPCON XL OR DEWALT ULTRACON W/ 2-1/4" MIN. EMBED TO GROUT-FILLED CONCRETE BLOCK | 5.0" | 3.125" | 2/13 | WALL MOUNT | 3152 LB |
| | | | | INTERIOR MOUNT | 3404 LB |
| 5/16" LAG SCREW W/ 2" MIN. THREAD PENETRATION TO G=0.42 MIN WOOD | 2.0" | 1.25" | 1/13 | WALL MOUNT | 584 LB |
| | | | | INTERIOR MOUNT | 744 LB |
| | | | 2/13 | WALL MOUNT | 1168 LB |
| | | | | INTERIOR MOUNT | 1488 LB |
| | | | 1/13 | WALL MOUNT | 1310 LB |
| | | | | INTERIOR MOUNT | 302 LB |
| | | | 2/13 | WALL MOUNT | 2620 LB |
| | | | | INTERIOR MOUNT | 604 LB |



3 STORM BAR BUILD-OUT MOUNT
13 N.T.S.

CONNECTION CAPACITY: 2276 LB



4 END CONNECTION MOUNTING CONDITIONS
13 N.T.S.

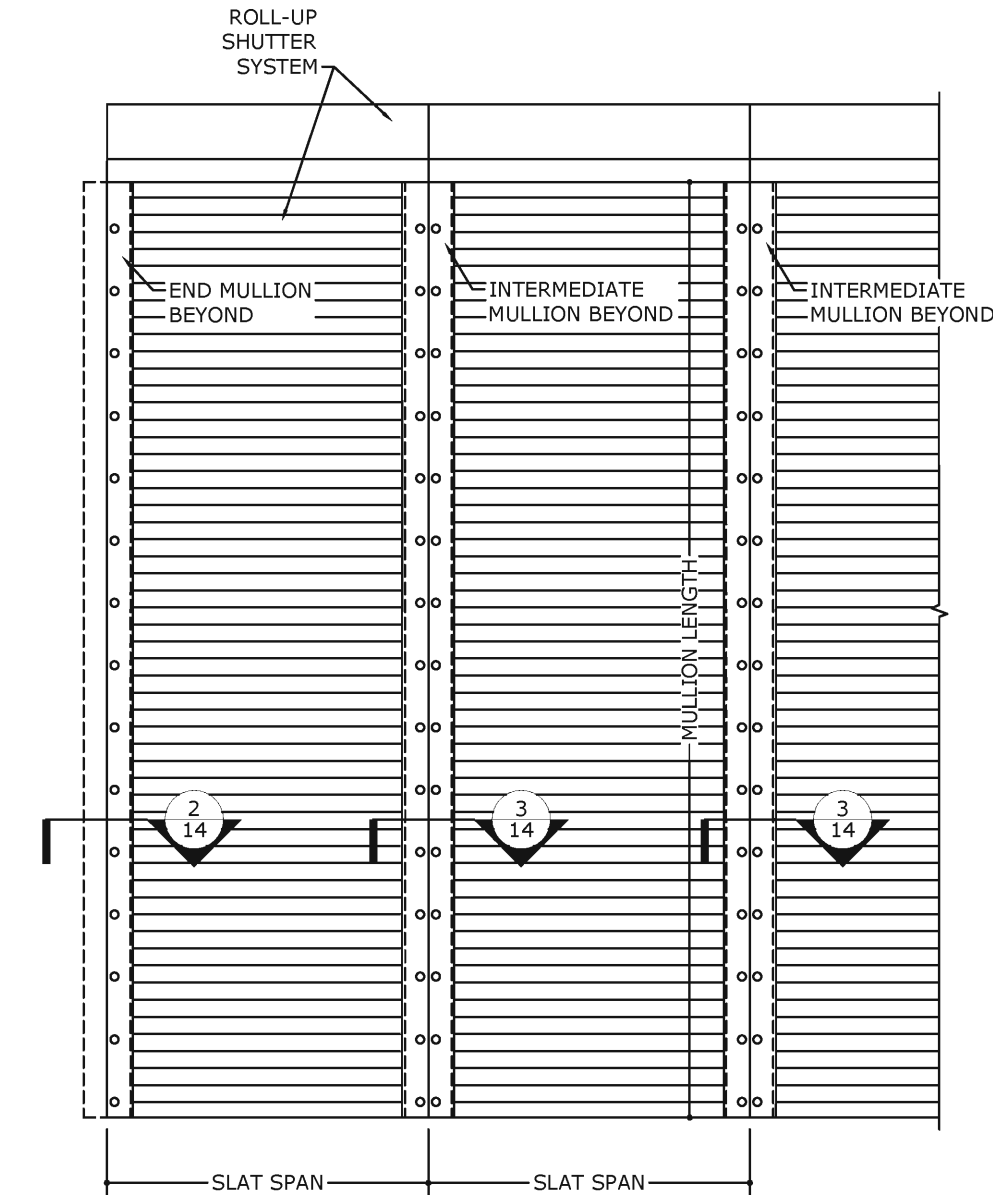
| DRWN | CHKD | DATE |
|------|------|---------|
| KL | FLB | 4/25/14 |
| RWN | CSL | 4/08/15 |
| RWN | FLB | 8/07/17 |
| CCB | RWN | 6/30/20 |

REMARKS:
INIT ISSUE
2014 FBC
2017 FBC
2020 FBC

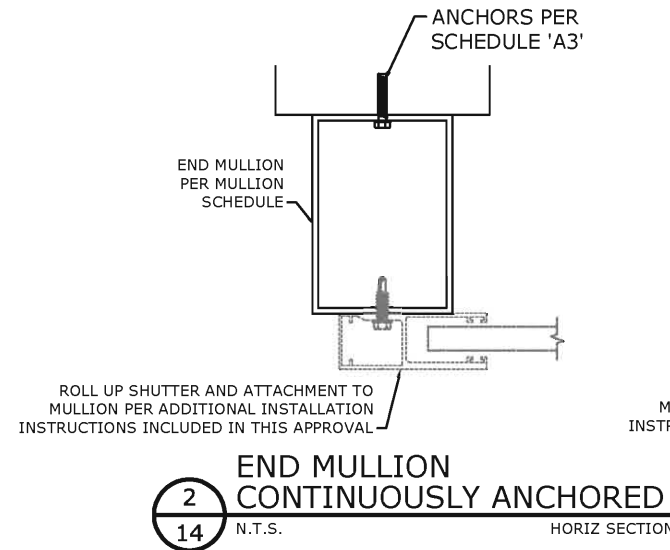
THIS DOCUMENT IS THE PROPERTY OF FRANK L. BENNARDO, P.E. AND SHALL NOT BE REPRODUCED IN WHOLE OR PART WITHOUT WRITTEN CONSENT OF FRANK L. BENNARDO, P.E. *ALTERATIONS, ADDITIONS, HIGHLIGHTING, OR OTHER MARKINGS TO THIS DOCUMENT ARE NOT PERMITTED AND INVALIDATE OUR CERTIFICATION.

COPYRIGHT FRANK L. BENNARDO P.E.
20-26189b
SCALE: -
PAGE DESCRIPTION:

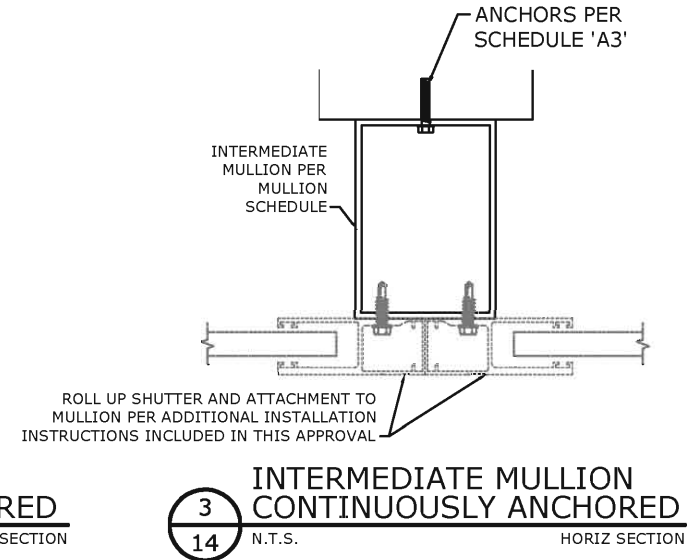
CONTINUOUSLY ANCHORED MULLION CONNECTION DETAILS



1
14 N.T.S. SHUTTER WITH MULLIONS ANCHORED CONTINUOUSLY EXTERIOR ELEV



2
14 N.T.S. END MULLION CONTINUOUSLY ANCHORED HORIZ SECTION



3
14 N.T.S. INTERMEDIATE MULLION CONTINUOUSLY ANCHORED HORIZ SECTION

SCHEDULE 'A2'

| SLAT SPAN | DESIGN PRESSURE (PSF) | REACTION ALONG LENGTH | |
|-----------|-----------------------|-----------------------|----------------------|
| | | END MULLION | INTERMEDIATE MULLION |
| 30" | 40 | 50 LB/FT | 100 LB/FT |
| | 60 | 75 LB/FT | 150 LB/FT |
| | 80 | 100 LB/FT | 200 LB/FT |
| | 100 | 125 LB/FT | 250 LB/FT |
| 40" | 40 | 67 LB/FT | 133 LB/FT |
| | 60 | 100 LB/FT | 200 LB/FT |
| | 80 | 133 LB/FT | 267 LB/FT |
| | 100 | 167 LB/FT | 333 LB/FT |
| 50" | 40 | 83 LB/FT | 167 LB/FT |
| | 60 | 125 LB/FT | 250 LB/FT |
| | 80 | 167 LB/FT | 333 LB/FT |
| | 100 | 208 LB/FT | 417 LB/FT |
| 60" | 40 | 100 LB/FT | 200 LB/FT |
| | 60 | 150 LB/FT | 300 LB/FT |
| | 80 | 200 LB/FT | 400 LB/FT |
| | 100 | 250 LB/FT | 500 LB/FT |
| 70" | 40 | 117 LB/FT | 233 LB/FT |
| | 60 | 175 LB/FT | 350 LB/FT |
| | 80 | 233 LB/FT | 467 LB/FT |
| | 100 | 292 LB/FT | 583 LB/FT |
| 80" | 40 | 133 LB/FT | 267 LB/FT |
| | 60 | 200 LB/FT | 400 LB/FT |
| | 80 | 267 LB/FT | 533 LB/FT |
| | 100 | 333 LB/FT | 667 LB/FT |
| 120 | 40 | 150 LB/FT | 300 LB/FT |
| | 60 | 200 LB/FT | 400 LB/FT |

SCHEDULE 'A3'

| ANCHOR TYPE | MINIMUM EDGE DISTANCE | ANCHOR SPACING (ON CENTER) | CONNECTION CAPACITY |
|--|-----------------------|----------------------------|---------------------|
| 3/8" DEWALT SCREW BOLTS W/ 3-1/2" EMBED TO 3KSI MIN. CONCRETE | 4.5" | 12" | 2205 LB/FT |
| | | 18" | 1470 LB/FT |
| | | 24" | 735 LB/FT |
| | | 30" | 294 LB/FT |
| 3/8" DEWALT SCREW BOLTS W/ 3-1/2" EMBED TO GROUT-FILLED CONCRETE BLOCK* | 12.0" | 12" | 1290 LB/FT |
| | | 18" | 860 LB/FT |
| | | 24" | 430 LB/FT |
| | | 30" | 172 LB/FT |
| 3/8" DEWALT STEEL DROPIN W/ 1-9/16" EMBED TO 3KSI MIN. CONCRETE | 5.25" | 12" | 795 LB/FT |
| | | 18" | 530 LB/FT |
| | | 24" | 265 LB/FT |
| 5/16" ITW TAPCON XL OR DEWALT ULTRACON W/ 2-1/4" MIN. EMBED TO 3.5KSI MIN. CONCRETE | 4.0" | 12" | 788 LB/FT |
| | | 18" | 525 LB/FT |
| | | 24" | 263 LB/FT |
| 5/16" ITW TAPCON XL OR DEWALT ULTRACON W/ 2-1/4" MIN. EMBED TO GROUT-FILLED CONCRETE BLOCK | 3.125" | 30" | 105 LB/FT |
| | | 12" | 292 LB/FT |
| | | 18" | 195 LB/FT |
| | | 24" | 97 LB/FT |
| 5/16" LAG SCREW W/ 2" MIN. THREAD PENETRATION TO G=0.42 MIN WOOD | 1.25" | 30" | 39 LB/FT |
| | | 12" | 655 LB/FT |
| | | 18" | 437 LB/FT |
| | | 24" | 218 LB/FT |
| 30" | 87 LB/FT | | |

CONTINUOUSLY ANCHORED MULLION NOTES:

- USE SCHEDULE 'A2' TO DETERMINE THE REACTION ALONG MULLION LENGTH FOR THE APPLICABLE SLAT SPAN AND DESIGN PRESSURE.
- "REACTION ALONG LENGTH" IS LISTED FOR EACH COMBINATION OF DESIGN LOAD & SLAT SPAN. CHOOSE ANCHOR TYPE AND ANCHOR SPACING FROM SCHEDULE 'A3' THAT PROVIDES "CONNECTION CAPACITY" GREATER THAN OR EQUAL TO "REACTION ALONG LENGTH" GIVEN ABOVE IN SCHEDULE 'A2'.
- SCHEDULES ARE APPLICABLE TO ALL NON-END RETENTION MULLIONS.
- ALLOWABLE DESIGN PRESSURES AND SLAT SPANS INDICATED ARE FOR DETERMINING PERMISSIBLE MULLION ANCHORS ONLY. ACTUAL SLAT SPANS AND DESIGN PRESSURES SHALL NOT EXCEED THOSE INDICATED ROLL-UP SHUTTER INSTALLATION INSTRUCTIONS.
- THIS SCHEDULE MAY BE USED FOR ALL NON-END RETENTION MULLIONS ANCHORED CONTINUOUSLY ALONG THEIR LENGTH.
- SEE ANCHOR NOTES ON SHEET 13

FRANK BENNARDO, PE
PE# 0046549 CA#9885



ENGINEERING EXPRESS
CORPORATE OFFICE:
160 SW 12th AVE, SUITE 106
DEERFIELD BEACH, FL 33442
(954) 354-0660 | (866) 396-9999
TEAM@ENGINEERINGEXPRESS.COM
ENGINEERINGEXPRESS.COM

Town & Country INDUSTRIES
Wholesale Aluminum and Building Products
A Division of ABC Supply Co., Inc.
400 WEST MCNAB ROAD
FT. LAUDERDALE, FL 33309
FL14235.3

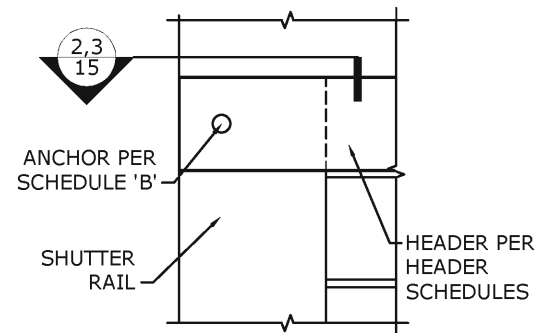
| DRWN | CHKD | DATE |
|------|------|---------|
| KL | FLB | 4/25/14 |
| RWN | CSL | 4/08/15 |
| RWN | FLB | 8/07/17 |
| CCB | RWN | 6/30/20 |

REMARKS
INIT ISSUE
2014 FBC
2017 FBC
2020 FBC

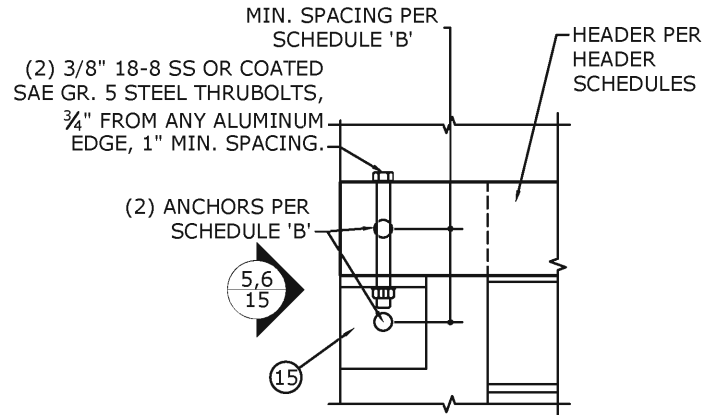
THIS DOCUMENT IS THE PROPERTY OF FRANK L. BENNARDO, P.E. AND SHALL NOT BE REPRODUCED IN WHOLE OR PART WITHOUT WRITTEN CONSENT OF FRANK L. BENNARDO, P.E. ALTERATIONS, ADDITIONS, HIGHLIGHTING OR OTHER MARKINGS TO THIS DOCUMENT ARE NOT PERMITTED AND INVALIDATE OUR CERTIFICATION.

COPYRIGHT FRANK L. BENNARDO P.E.
20-26189b
SCALE: -
PAGE DESCRIPTION:

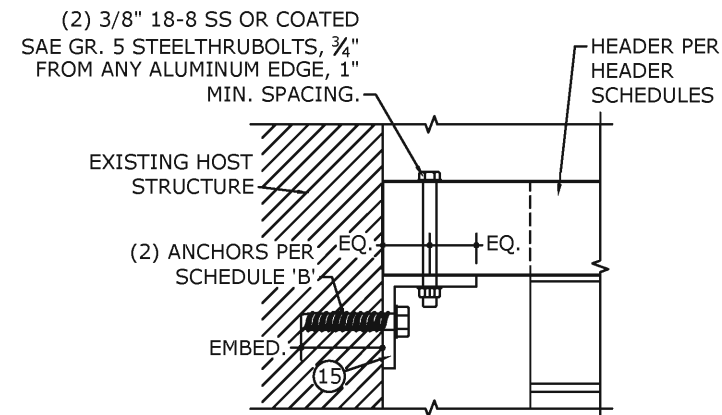
HEADER CONNECTION DETAILS



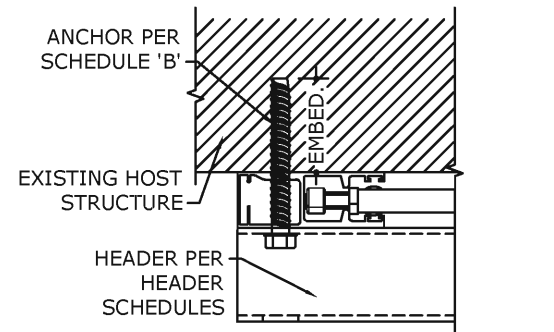
1 BUILD-OUT & WALL MOUNT
15 N.T.S. ELEV



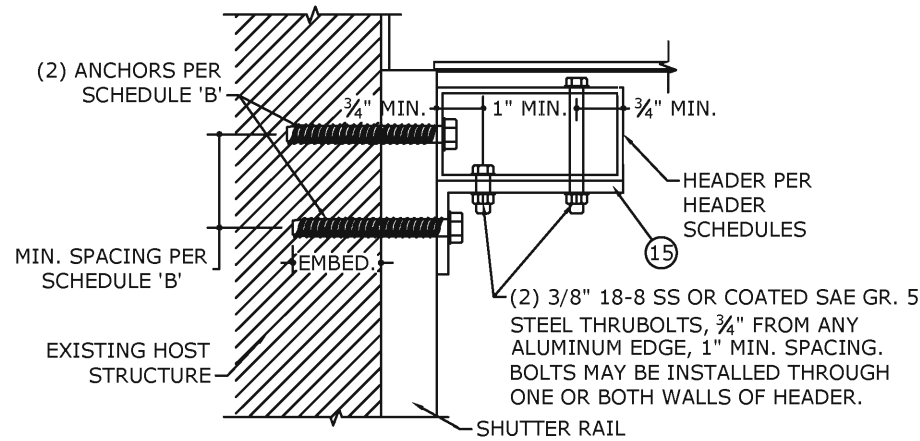
4 BUILD-OUT & WALL MOUNT
15 N.T.S. ELEV



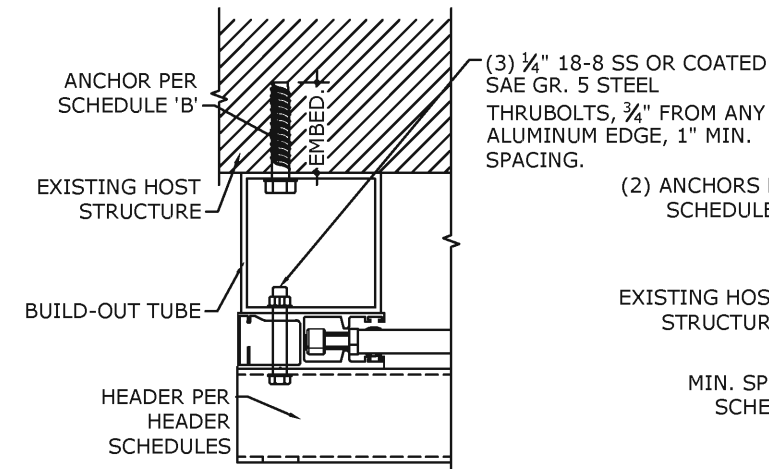
7 INTERIOR MOUNT
15 N.T.S. ELEV



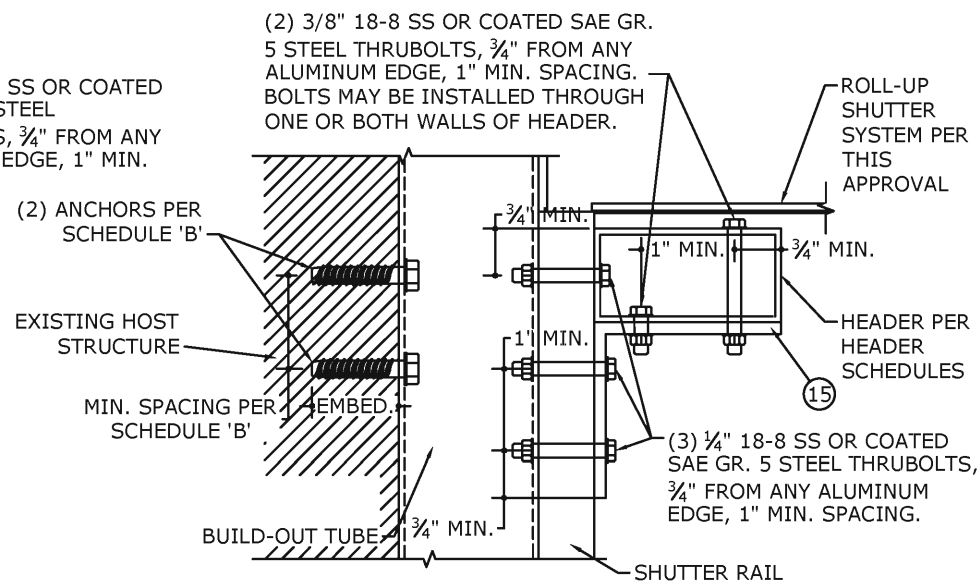
2 WALL MOUNT
15 N.T.S. HORIZ SECTION



5 WALL MOUNT
15 N.T.S. VERT SECTION



3 BUILD-OUT MOUNT
15 N.T.S. HORIZ SECTION



6 BUILD-OUT MOUNT
15 N.T.S. VERT SECTION

SCHEDULE 'B'

| ANCHOR TYPE | MINIMUM SPACING | MINIMUM EDGE DISTANCE | MOUNTING CONDITION | NUMBER OF ANCHORS | CONNECTION CAPACITY |
|--|-----------------|-------------------------|-------------------------|-------------------|---------------------|
| 3/8" POWERS WEDGE BOLTS W/ 3-1/2" EMBED TO 3KSI MIN. CONCRETE | 4.5" | 4.5" | BUILD-OUT OR WALL MOUNT | 1 | 2205 LB |
| | | | INTERIOR MOUNT | 2 | 3093 LB |
| | 2.5" | 4.5" | BUILD-OUT OR WALL MOUNT | 1 | 1477 LB |
| | | | INTERIOR MOUNT | 2 | 2955 LB |
| 3/8" POWERS WEDGE BOLTS W/ 3-1/2" EMBED TO GROUT-FILLED CONCRETE BLOCK* | 6.0" | 12.0" | BUILD-OUT OR WALL MOUNT | 1 | 1290 LB |
| | | | INTERIOR MOUNT | 2 | 2580 LB |
| | 4.5" | 5.25" | BUILD-OUT OR WALL MOUNT | 1 | 1100 LB |
| | | | INTERIOR MOUNT | 2 | 2200 LB |
| 3/8" POWERS STEEL DROPIN W/ 1-9/16" EMBED TO 3KSI MIN. CONCRETE | 4.5" | 5.25" | BUILD-OUT OR WALL MOUNT | 1 | 795 LB |
| | | | INTERIOR MOUNT | 2 | 1590 LB |
| | 2.5" | 5.25" | BUILD-OUT OR WALL MOUNT | 1 | 1145 LB |
| | | | INTERIOR MOUNT | 2 | 2290 LB |
| 5/16" ITW TAPCON XL OR ELCO ULTRACON W/ 2-1/4" MIN. EMBED TO 3.5KSI MIN. CONCRETE | 5.0" | 4.0" | BUILD-OUT OR WALL MOUNT | 1 | 461 LB |
| | | | INTERIOR MOUNT | 2 | 922 LB |
| | 5.0" | 3.125" | BUILD-OUT OR WALL MOUNT | 1 | 664 LB |
| | | | INTERIOR MOUNT | 2 | 1328 LB |
| 5/16" ITW TAPCON XL OR ELCO ULTRACON W/ 2-1/4" MIN. EMBED TO GROUT-FILLED CONCRETE BLOCK | 5.0" | 3.125" | BUILD-OUT OR WALL MOUNT | 1 | 788 LB |
| | | | INTERIOR MOUNT | 2 | 1576 LB |
| | 5.0" | 3.125" | BUILD-OUT OR WALL MOUNT | 1 | 851 LB |
| | | | INTERIOR MOUNT | 2 | 1702 LB |
| 5/16" LAG SCREW W/ 2" MIN. THREAD PENETRATION TO G=0.42 MIN WOOD | 2.0" | 1.25" | BUILD-OUT OR WALL MOUNT | 1 | 292 LB |
| | | | INTERIOR MOUNT | 2 | 584 LB |
| | 2.0" | 1.25" | BUILD-OUT OR WALL MOUNT | 1 | 372 LB |
| | | | INTERIOR MOUNT | 2 | 744 LB |
| 2.0" | 1.25" | BUILD-OUT OR WALL MOUNT | 1 | 655 LB | |
| | | INTERIOR MOUNT | 2 | 1311 LB | |
| 2.0" | 1.25" | BUILD-OUT OR WALL MOUNT | 1 | 151 LB | |
| | | INTERIOR MOUNT | 2 | 301 LB | |

NOTES:

1. ALL ANCHORS SHALL BE 3/4" MINIMUM FROM ANY ALUMINUM EDGE.
2. * ANCHOR SHALL PENETRATE THROUGH FACE SHELL INTO GROUTED CELL.
3. SEE ANCHOR NOTES ON SHEET 13.

FRANK BENNARDO, PE
PE# 0046549 CA#9885



ENGINEERING EXPRESS
CORPORATE OFFICE:
160 SW 12th AVE, SUITE 106
DEERFIELD BEACH, FL 33442
(954) 354-0660 | (866) 396-9999
TEAM@ENGINEERINGEXPRESS.COM
ENGINEERINGEXPRESS.COM

Town & Country
INDUSTRIES
Wholesale Aluminum and Building Products
A Division of ABC Supply Co., Inc.

400 WEST MCNAB ROAD
FT. LAUDERDALE, FL 33309
FL14235.3

| DRWN | CHKD | DATE |
|------|------|---------|
| KL | FLB | 4/25/14 |
| RWN | CSL | 4/08/15 |
| RWN | FLB | 8/07/17 |
| CCB | RWN | 6/30/20 |

REMARKS
2014 FBC
2017 FBC
2020 FBC

THIS DOCUMENT IS THE PROPERTY OF FRANK L. BENNARDO, P.E. AND SHALL NOT BE REPRODUCED IN WHOLE OR PART WITHOUT WRITTEN CONSENT OF FRANK L. BENNARDO, P.E. *ALTERATIONS, ADDITIONS, HIGHLIGHTING OR OTHER MARKINGS TO THIS DOCUMENT ARE NOT PERMITTED AND INVALIDATE OUR CERTIFICATION.

COPYRIGHT FRANK L. BENNARDO P.E.
20-26189b

SCALE: -

PAGE DESCRIPTION: