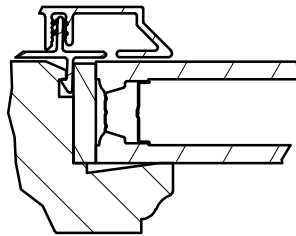


NAILING FIN / JAMB SCREW COMBINED INSTALLATION METHOD:

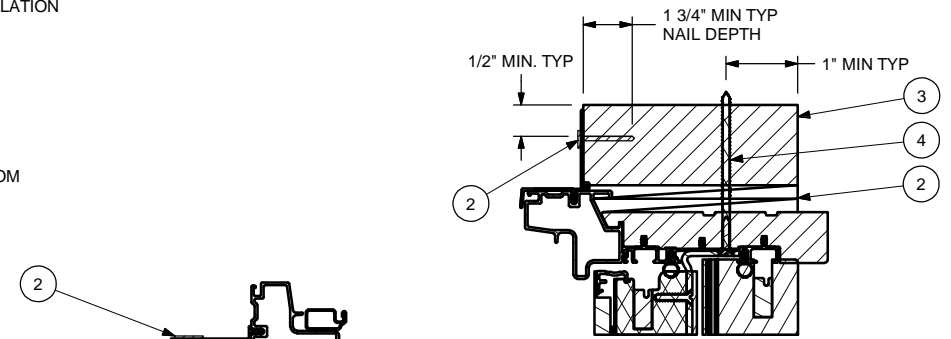
NAILING FIN:
 - #8 X 1 1/4" PAN HEAD OR WAFFER HEAD SCREWS MAY BE SUBSTITUTED FOR 2" ROOFING NAILS.

JAMB SCREW:
 - SECURE JAMBS WITH #8 X 3" SCREWS 6" FROM CORNERS AND MIDPOINT OF JAMB.
 - SECURE HEAD JAMB AND SILL WITH #8 X 3" SCREWS CENTERED ABOVE AND BELOW THE MEETING STILES.
 - SHIM AT EACH SCREW LOCATION.

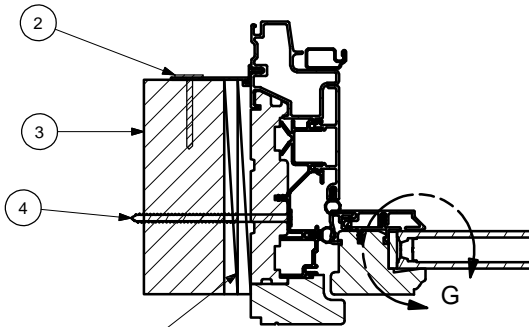
PRODUCT AND DESIGN PRESSURE		
PRODUCT	FRAME SIZE	DP
UL GLDR XOx	119.5 X 71.5	+35/-35
UL GLDR XX	71.5 X 53.5	+50/-50
UL GLDR XO or OX	71.5 X 59.5	+50/-50
UL GLDR O	71.5 X 71.5	+40/-40
UL GLDR XO or OX	71.5 X 71.5	+40/-40
UL GLDR XX	71.5 X 71.5	+35/-35



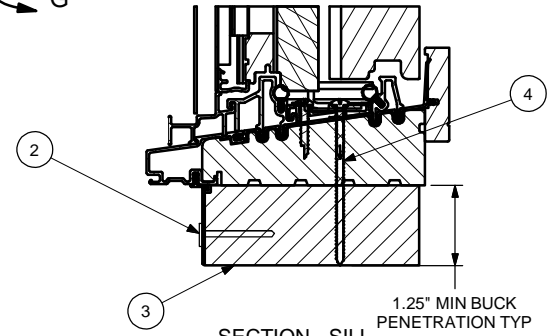
GLASS COMPLIES WITH ASTM E1300
**DETAIL G
 GLAZING DETAIL**



SECTION - HEAD JAMB



SECTION - JAMB



SECTION - SILL

- NOTES:**
- FOR GENERAL SPECIFICATIONS, REFER TO DOC 00003952
 - THIS PRINT IS FOR STUCTURAL PERFORMANCE ONLY. FOR FLASHING & SEALING INSTRUCTIONS, REFER TO THE INSTALLATION INSTRUCTIONS.
 - SHIMS
 -PLACE A SHIM WITHIN 4-6 INCHES OF EACH CORNER AND SPACE ALL OTHERS EVENLY A MAXIMUM OF 15 INCHES APART.
 - IF CHEMICALLY TREATED LUMBER IS USED FOR BUCK MATERIAL, FASTENERS INTO THE BUCK MUST BE A MINIMUM OF 0.90 OX/FT² ZINC HOT DIPPED GALVANIZED OR STAINLESS STEEL TYPE 304 OR 316
 - UNIT MUST NOT BE IN DIRECT CONTACT WITH EITHER CONCRETE OR TREATED BUCK MATERIAL.
 - IF SHIM SPACE IS LESS THAN 1/8" WRAPPING THE UNIT ON ALL 4 SIDES WITH WINDOW FLASHING TAPE IS REQUIRED AS A BARRIER BETWEEN THE UNIT AND CONCRETE OR TREATED LUMBER.

CATEGORY:
GLIDER

UNIT TYPE:
UGL

ITEM	DWG NO	DESCRIPTION
4	-----	#8 X 3" WOOD SCREW
3	-----	WOOD BUCK BY OTHERS
2	-----	2" GALVANIZED ROOFING NAIL
1	-----	SHIM
PARTS LIST		

UNSPECIFIED TOLERANCES	
DECIMALS: XX ±.03 XXX±.012	ANGLE DEG: ±.5
LINEAL: +.125 -.000	FAB LINEAL: ±NA
MATERIAL: NA	

MARVIN RESEARCH & DEVELOPMENT	
COLLECTION: ULTIMATE	
DWG TYPE: INSTALLATION DESCRIPTION: INSTALLATION FL 14378	
CHK:	DWG NO: 00073426
APP:	DWG BY: BORNEMAN, SKIP
SIZE: B	CLASS: MISC
SCALE: 1:12	DATE: 02/07/11
SHEET: 1 OF 1	