

REVISIONS			
REV	DESCRIPTION	DATE	APPROVED
B	REVISED PER NEW REQUIREMENTS	01/03/18	R.L.

NOTES:

1. THE PRODUCT SHOWN HEREIN IS DESIGNED AND MANUFACTURED TO COMPLY WITH REQUIREMENTS OF THE FLORIDA BUILDING CODE.
2. WOOD FRAMING AND MASONRY OPENING TO BE DESIGNED AND ANCHORED TO PROPERLY TRANSFER ALL LOADS TO STRUCTURE. FRAMING AND MASONRY OPENING IS THE RESPONSIBILITY OF THE ARCHITECT OR ENGINEER OF RECORD.
3. ALLOWABLE STRESS INCREASE OF 1/3 WAS NOT USED IN THE DESIGN OF THE PRODUCT SHOWN HEREIN. WIND LOAD DURATION FACTOR Cd=1.6 WAS USED FOR WOOD ANCHOR CALCULATIONS.
4. APPROVED IMPACT PROTECTIVE SYSTEM IS NOT REQUIRED FOR THIS PRODUCT IN WIND BORNE DEBRIS REGIONS
5. DESIGN PRESSURE AND INSTALLATION DETAILS SHOWN IN THIS DOCUMENT APPLY ONLY TO THE MULLION. WINDOWS MUST BE APPROVED UNDER SEPARATE APPROVAL.
6. SINGLE UNITS TO BE MULLED ARE NOT LIMITED TO THOSE SHOWN IN THIS DRAWING. SINGLE UNITS TO BE MULLED TOGETHER MUST BE MANUFACTURED BY STERGIS WINDOWS & DOORS, INC.
7. UNITS MAY BE INSTALLED VERTICALLY OR HORIZONTALLY
8. UNITS MAY BE MULLED INDEFINITELY

**10300085 ALUMINUM VERTICAL MULLION NON REINFORCED
IMPACT UP TO WIND ZONE 3**

Maximum design pressure capacity (psf)
Design pressures are positive and negative

Mullion span (in)	Tributary width (in)								
	24.00	30.00	36.00	42.00	48.00	54.00	60.00	66.00	72.00
24.00	150.0	150.0	150.0	150.0	150.0	150.0	150.0	150.0	150.0
30.00	150.0	150.0	150.0	150.0	150.0	150.0	150.0	150.0	150.0
36.00	150.0	150.0	150.0	150.0	150.0	150.0	150.0	150.0	150.0
42.00	150.0	144.4	135.3	132.6	132.6	132.6	132.6	132.6	132.6
48.00	135.3	118.1	108.3	103.1	101.5	101.5	101.5	101.5	101.5
54.00	116.0	99.9	90.2	84.4	81.2	80.2	80.2	80.2	80.2
60.00	101.5	86.6	77.3	71.4	67.7	65.6	65.0	65.0	65.0
66.00	90.2	76.4	66.9	60.0	55.5	52.6	51.0	50.4	50.4
72.00	71.5	58.7	50.5	45.0	41.2	38.6	36.9	35.9	35.6
78.00	55.9	45.7	39.1	34.6	31.5	29.2	27.7	26.6	26.0
84.00	44.5	36.3	30.9	27.3	24.6	22.7	21.4	20.4	19.7
90.00	36.0	29.3	24.9	21.9	19.7	18.1	16.9	16.0	15.3
96.00	29.6	24.0	20.4	17.8	16.0	-	-	-	-
102.00	24.6	19.9	16.9	-	-	-	-	-	-
108.00	20.7	16.7	-	-	-	-	-	-	-
114.00	17.5	-	-	-	-	-	-	-	-
120.00	15.0	-	-	-	-	-	-	-	-

DESIGN PRESSURE TABLE INSTRUCTIONS:

1. DEFINE REQUIRED DESIGN LOAD PER FLORIDA BUILDING CODE CHAPTER 16.
2. DETERMINE TRIBUTARY WIDTH AND MULLION SPAN BASED ON PRODUCT TO BE INSTALLED. SEE FORMULA FOR TRIBUTARY WIDTH.
3. LOCATE MULLION SPAN (UNIT HEIGHT) AND TRIBUTARY WIDTH. AT THE INTERSECTION OF ROW AND COLUMN CONTAINING THE MULLION SPAN AND TRIBUTARY WIDTH RESPECTIVELY IS THE MULLION RATING FOR PRODUCT IN STEP 2. MULLION RATING MUST BE EQUAL OR GREATER THAN REQUIRED DESIGN PRESSURE OBTAINED IN STEP 1.

$$\text{TRIBUTARY WIDTH} = \frac{W1 + W2}{2}$$

SIGNED: 01/08/2018

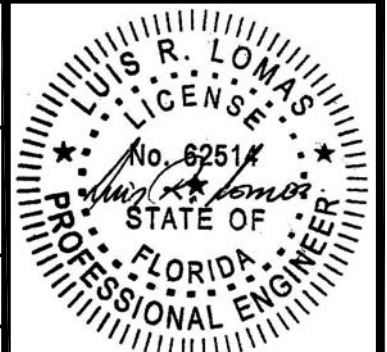
STERGIS WINDOWS & DOORS, INC.

79 WALTON ST
ATTLEBORO, MA 02703

10300085 ALUMINUM VERTICAL MULLION
NON-REINFORCED IMPACT
ELEVATIONS, NOTES AND DESIGN PRESSURE CHART

DRAWN: T.J.H.	DWG NO. 08-01236	REV B
SCALE NTS	DATE 04/26/11	SHEET 1 OF 4

L. ROBERTO LOMAS P.E.
1432 WOODFORD RD LEWISVILLE, NC 27023
434-688-0609 rllomas@rlomaspe.com



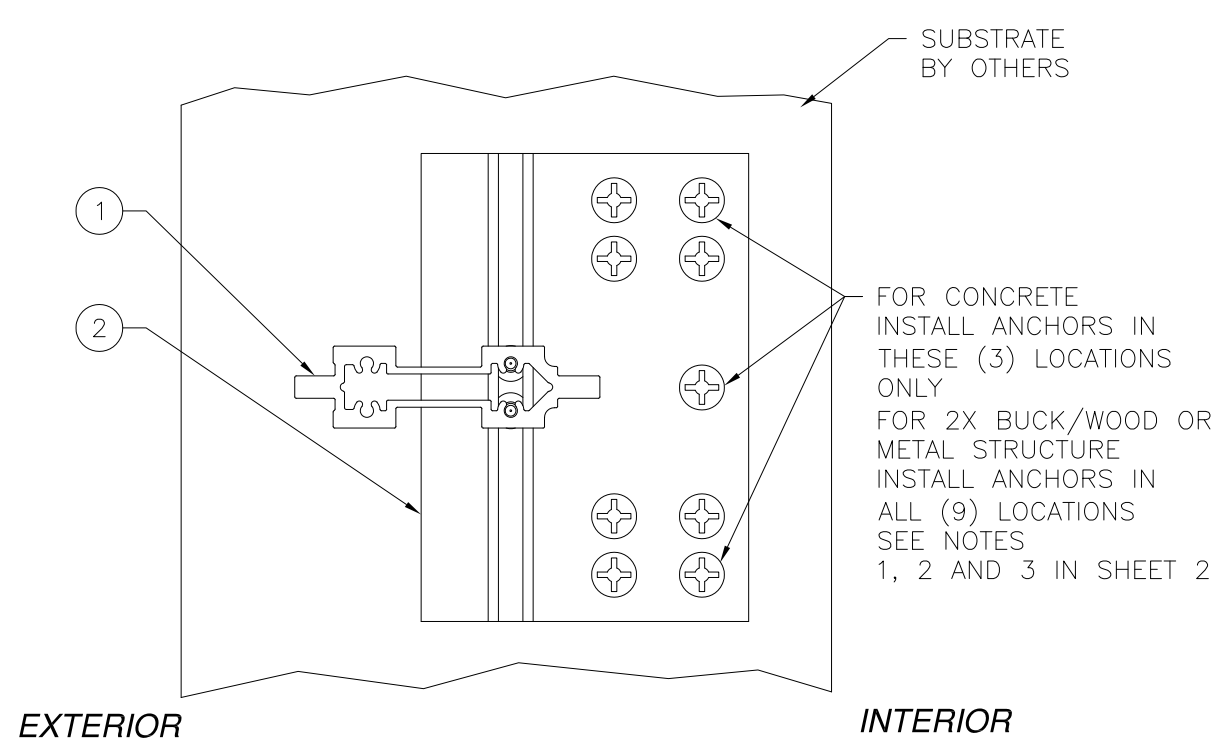
Luis R. Lomas P.E.
FL No.: 62514

TABLE OF CONTENTS

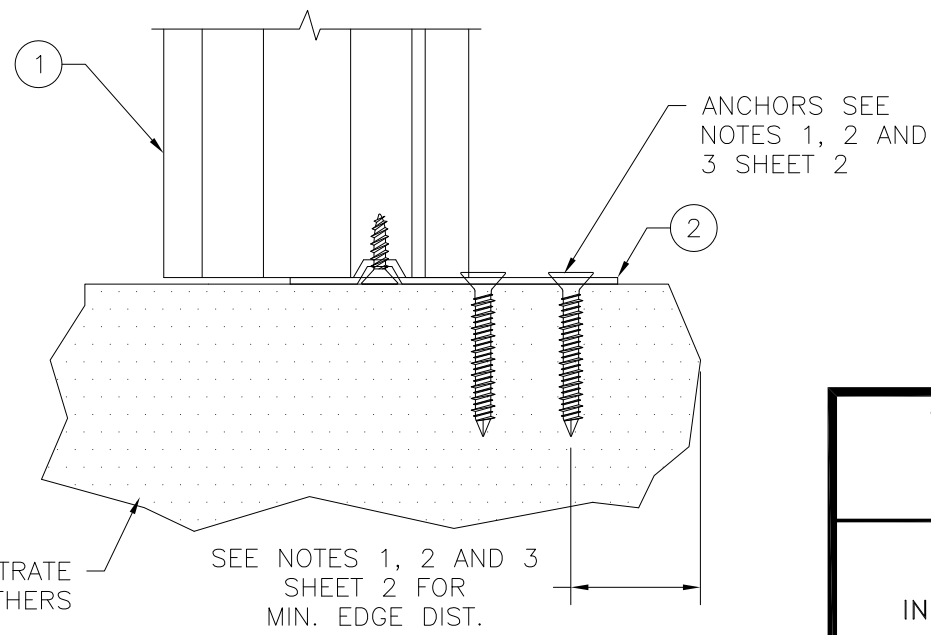
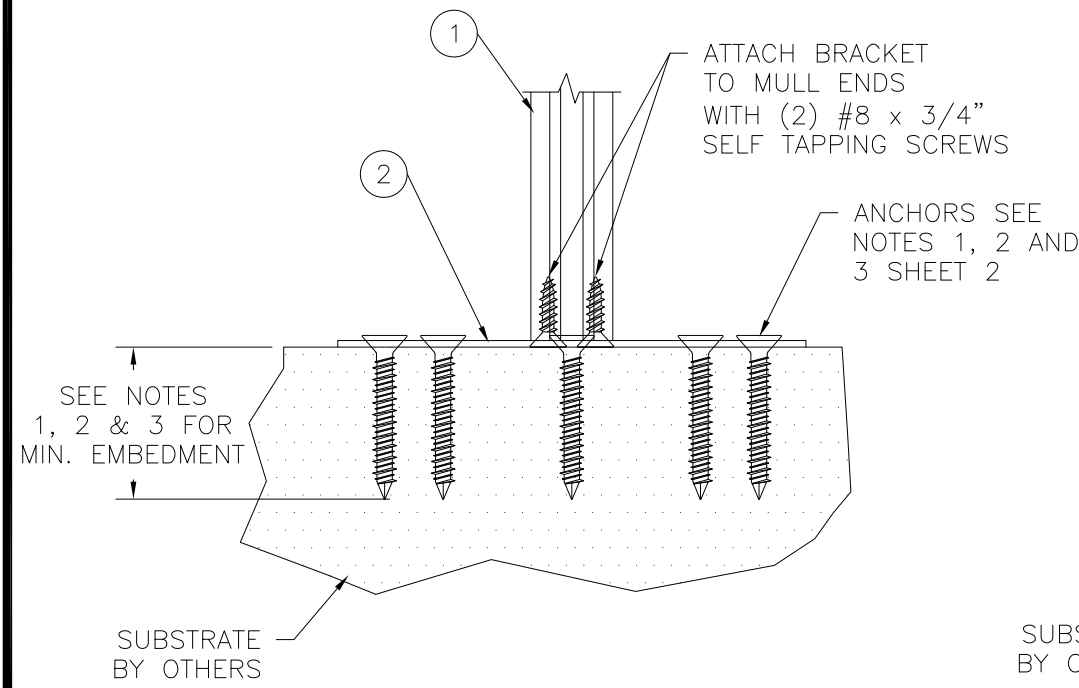
SHEET NO.	DESCRIPTION
1	ELEVATIONS, NOTES AND DESIGN PRESSURE CHART
2, 3	INSTALLATION DETAILS AND BILL OF MATERIALS
4	COMPONENTS

PARTS LIST				
NO.	PART NUMBER	DESCRIPTION	MANUFACTURER	MATERIAL
1	10300085	ALUMINUM VERTICAL MULLION	DECEUNINCK	ALUMINUM 6005-T5
2	10203000	15GA. STEEL MULLION BRACKET	DECEUNINCK	GALVANIZED STEEL
3	10300093	MULL CLIP	DECEUNINCK	ALUMINUM 6005-T5

REVISIONS			
REV	DESCRIPTION	DATE	APPROVED
B	REVISED PER NEW REQUIREMENTS	01/03/18	R.L.



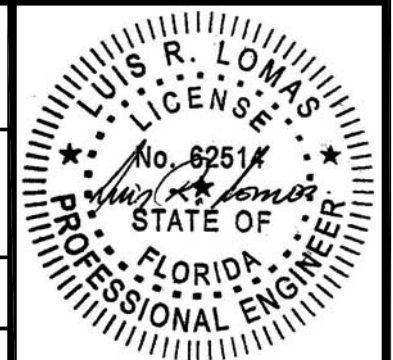
- ANCHORING NOTES:
- 1) FOR ANCHORING MULLION BRACKET OR MULL CLIP INTO MASONRY/CONCRETE USE 3/16" ITW TAPCONS WITH SUFFICIENT LENGTH TO ACHIEVE A 1 3/4" MINIMUM EMBEDMENT INTO SUBSTRATE WITH 2 1/2" MINIMUM EDGE DISTANCE. LOCATE ANCHORS AS SHOWN IN ELEVATIONS AND INSTALLATION DETAILS.
 - 2) FOR ANCHORING MULLION BRACKET OR MULL CLIP INTO WOOD FRAMING OR 2X BUCK USE #10 WOOD SCREW WITH SUFFICIENT LENGTH TO ACHIEVE A 1 3/8" MINIMUM EMBEDMENT INTO SUBSTRATE. WITH 1/2" MINIMUM EDGE DISTANCE. LOCATE ANCHORS AS SHOWN IN ELEVATIONS AND INSTALLATION DETAILS.
 - 3) FOR ANCHORING MULLION BRACKET OR MULL CLIP INTO 16GA. MINIMUM METAL FRAMING USE #10 SELF TAPPING SCREWS WITH SUFFICIENT LENGTH TO ACHIEVE A MINIMUM EMBEDMENT OF THREE THREADS PAST SUBSTRATE. WITH 3/4" MINIMUM EDGE DISTANCE. LOCATE ANCHORS AS SHOWN IN ELEVATIONS AND INSTALLATION DETAILS.
 - 4) FOR WINDOW UNIT ANCHORING TO VERTICAL MULLION SEE INDIVIDUAL WINDOW APPROVAL INSTALLATION INSTRUCTIONS.
 - 5) FOR WINDOW UNIT ANCHORING SCHEDULE TO SUBSTRATE REFER TO INDIVIDUAL WINDOW APPROVAL INSTALLATION INSTRUCTIONS.
 - 6) ALL FASTENERS TO BE CORROSION RESISTANT.
 - 7) INSTALLATION ANCHORS SHALL BE INSTALLED IN ACCORDANCE WITH ANCHOR MANUFACTURER'S INSTALLATION INSTRUCTIONS, AND ANCHORS SHALL NOT BE USED IN SUBSTRATES WITH STRENGTHS LESS THAN THE MINIMUM STRENGTH SPECIFIED BELOW:
 - A. WOOD - MINIMUM SPECIFIC GRAVITY OF G=0.42
 - B. CONCRETE - MINIMUM COMPRESSIVE STRENGTH OF 2,000 PSI.
 - C) METAL FRAMING - 16GA. MINIMUM.



STEEL MULLION BRACKET 10203000
INSTALLATION DETAILS
 SILL, SHOWN, HEAD SIMILAR.

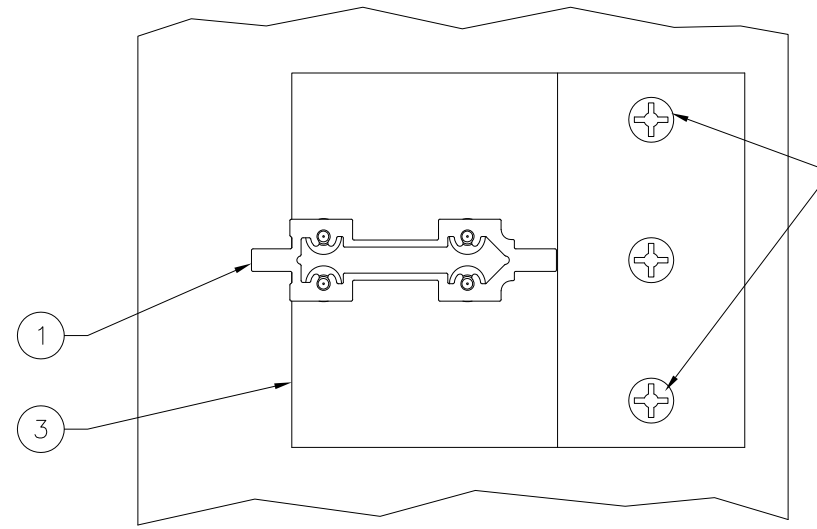
STERGIS WINDOWS & DOORS, INC. 79 WALTON ST ATTLEBORO, MA 02703		
10300085 ALUMINUM VERTICAL MULLION NON-REINFORCED IMPACT INSTALLATION DETAILS AND BILL OF MATERIALS		
DRAWN: T.J.H.	DWG NO. 08-01236	REV B
SCALE NTS	DATE 04/26/11	SHEET 2 OF 4
L. ROBERTO LOMAS P.E. 1432 WOODFORD RD LEWISVILLE, NC 27023 434-688-0609 rllomas@rlomaspe.com		

SIGNED: 01/08/2018

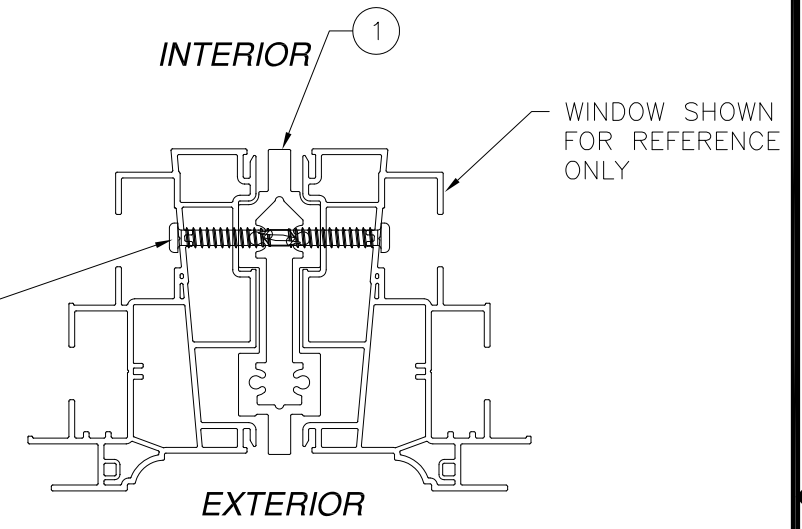


Luis R. Lomas P.E.
FL No.: 62514

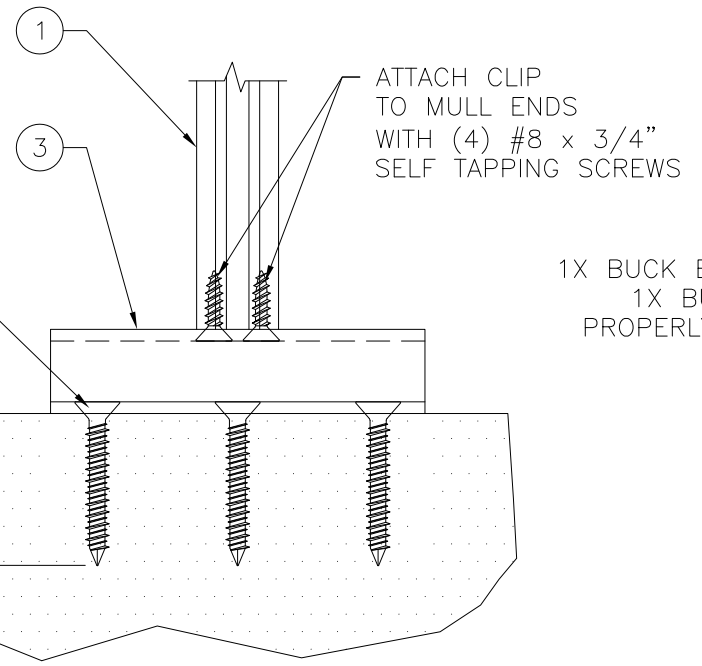
REVISIONS			
REV	DESCRIPTION	DATE	APPROVED
B	REVISED PER NEW REQUIREMENTS	01/03/18	R.L.



FOR CONCRETE:
INSTALL ANCHORS IN
THESE (2) LOCATIONS
ONLY
FOR 2X BUCK/WOOD
OR METAL STRUCTURE
INSTALL ANCHORS IN
ALL (3) LOCATIONS
SEE NOTES
1, 2 AND 3 IN SHEET 2



WINDOW TO MULLION INSTALLATION DETAIL

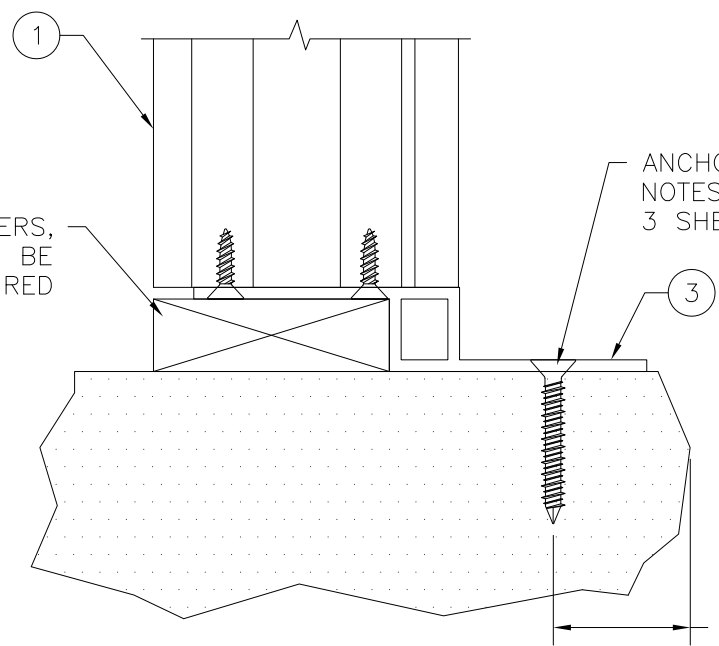


ANCHORS SEE NOTES 1, 2 AND 3 SHEET 2

SEE NOTES 1, 2 & 3 SHEET 2 FOR MIN. EMBEDMENT

SUBSTRATE BY OTHERS

1X BUCK BY OTHERS, 1X BUCK TO BE PROPERLY SECURED



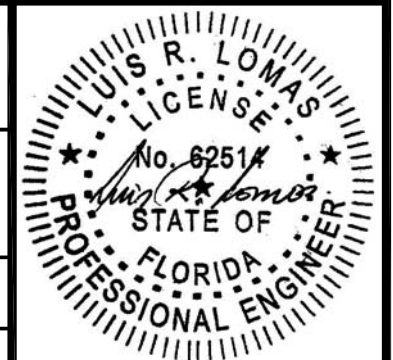
ANCHORS SEE NOTES 1, 2 AND 3 SHEET 2

SEE NOTES 1, 2 AND 3 SHEET 2 FOR MIN. EDGE DIST.

ALTERNATE MULL CLIP 10300093
INSTALLATION DETAILS
SILL, SHOWN, HEAD SIMILAR

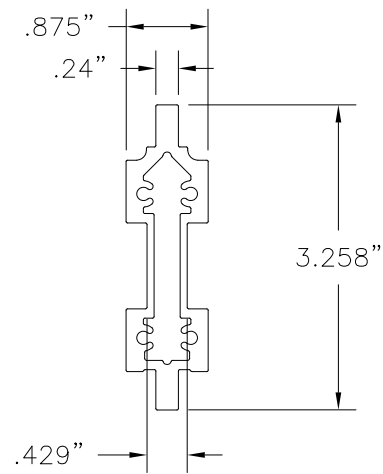
SIGNED: 01/08/2018

STERGIS WINDOWS & DOORS, INC. 79 WALTON ST ATTLEBORO, MA 02703		
10300085 ALUMINUM VERTICAL MULLION NON-REINFORCED IMPACT INSTALLATION DETAILS		
DRAWN: T.J.H.	DWG NO. 08-01236	REV B
SCALE NTS	DATE 04/26/11	SHEET 3 OF 4
L. ROBERTO LOMAS P.E. 1432 WOODFORD RD LEWISVILLE, NC 27023 434-688-0609 rllomas@rlomaspe.com		

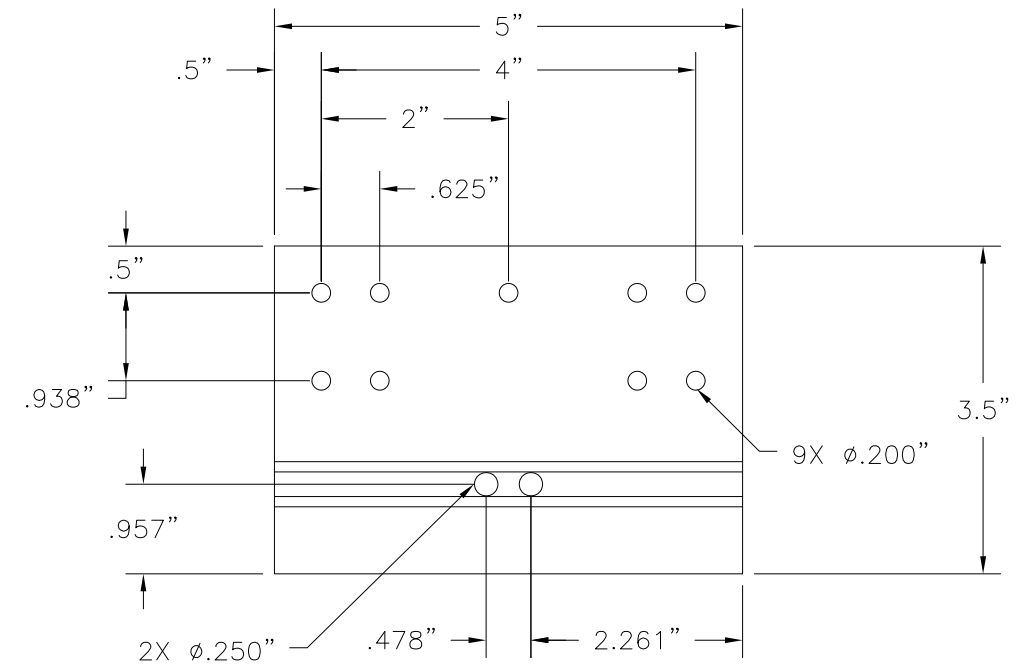


Luis R. Lomas P.E.
FL No.: 62514

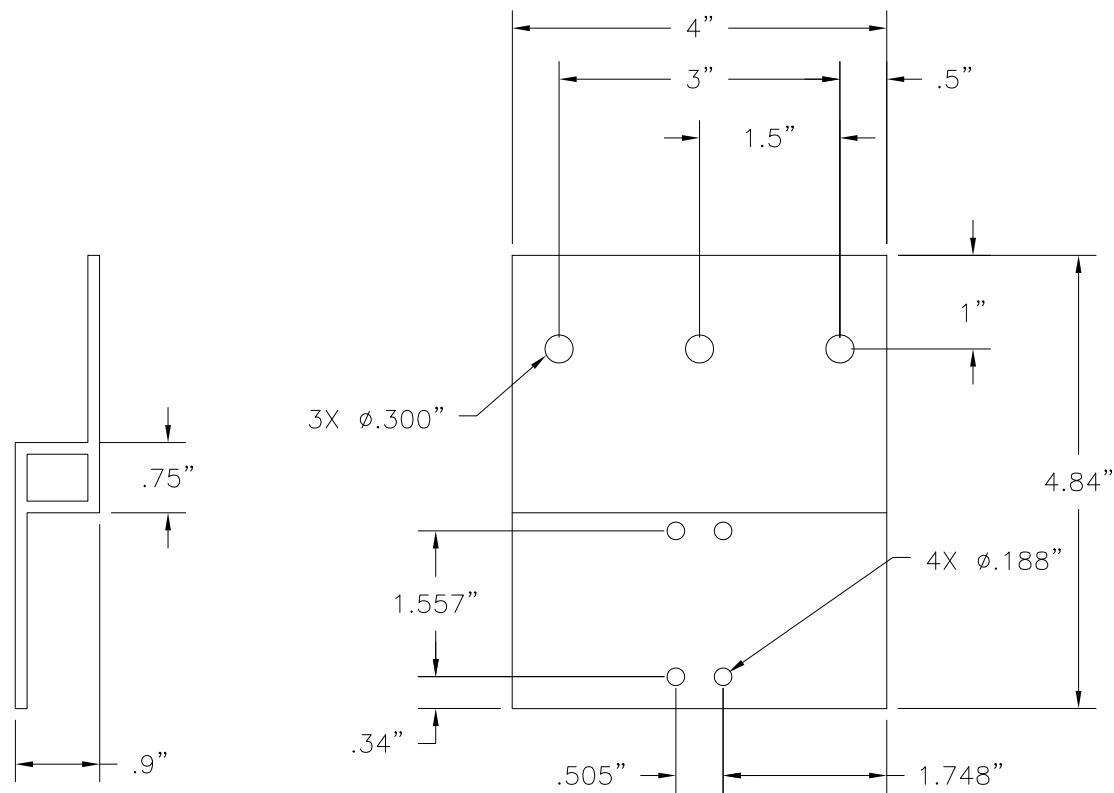
REVISIONS			
REV	DESCRIPTION	DATE	APPROVED
B	REVISED PER NEW REQUIREMENTS	01/03/18	R.L.



① **10300085 ALUMINUM VERTICAL MULLION**
ALUMINUM 6005-T5 .075" THICK MINIMUM



② **STEEL MULLION BRACKET**
15GA. GALVANIZED STEEL



③ **MULL CLIP**
ALUMINUM 6005-T5 .125" THICK

SIGNED: 01/08/2018

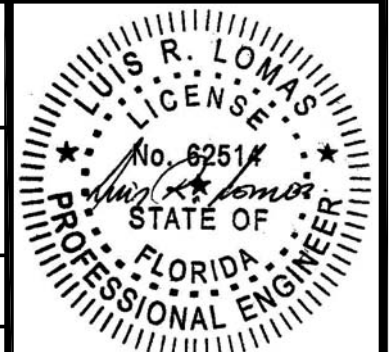
STERGIS WINDOWS & DOORS, INC.

79 WALTON ST
ATTLEBORO, MA 02703

10300085 ALUMINUM VERTICAL MULLION
NON-REINFORCED IMPACT
COMPONENTS

DRAWN: T.J.H.	DWG NO. 08-01236	REV B
SCALE NTS	DATE 04/26/11	SHEET 4 OF 4

L. ROBERTO LOMAS P.E.
1432 WOODFORD RD LEWISVILLE, NC 27023
434-688-0609 rllomas@rlomaspe.com



Luis R. Lomas P.E.
FL No.: 62514