

REVISIONS			
REV	DESCRIPTION	DATE	APPROVED

NOTES:

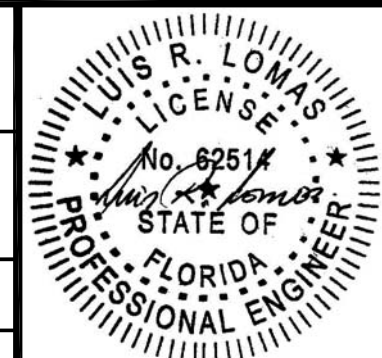
1. THE PRODUCT SHOWN HEREIN IS DESIGNED AND MANUFACTURED TO COMPLY WITH REQUIREMENTS OF THE FLORIDA BUILDING CODE.
2. WOOD FRAMING AND MASONRY OPENING TO BE DESIGNED AND ANCHORED TO PROPERLY TRANSFER ALL LOADS TO STRUCTURE. FRAMING AND MASONRY OPENING IS THE RESPONSIBILITY OF THE ARCHITECT OR ENGINEER OF RECORD.
3. WHERE SHIM OR BUCK THICKNESS IS LESS THAN 1-1/2" UNITS MUST BE ANCHORED THROUGH THE FRAME IN ACCORDANCE WITH MANUFACTURER'S PUBLISHED INSTALLATION INSTRUCTIONS. ANCHORS SHALL BE SECURELY FASTENED DIRECTLY INTO MASONRY, CONCRETE OR OTHER STRUCTURAL SUBSTRATE MATERIAL.
4. WHERE WOOD BUCK THICKNESS IS 1-1/2" OR GREATER, BUCK SHALL BE SECURELY FASTENED TO MASONRY, CONCRETE OR OTHER STRUCTURAL SUBSTRATE. UNITS MAY BE ANCHORED THROUGH FRAME TO SECURED WOOD BUCK IN ACCORDANCE WITH MANUFACTURER'S PUBLISHED INSTALLATION INSTRUCTIONS.
5. WHERE 1X BUCK IS NOT USED DISSIMILAR MATERIALS MUST BE SEPARATED WITH APPROVED COATING OR MEMBRANE. SELECTION OF COATING OR MEMBRANE IS THE RESPONSIBILITY OF THE ARCHITECT OR ENGINEER OF RECORD.
6. BUCKS SHALL EXTEND BEYOND UNIT FRAME INTERIOR FACE SO THAT FULL FRAME SUPPORT IS PROVIDED.
7. SHIM AS REQUIRED AT EACH ANCHOR LOCATION WITH LOAD BEARING SHIM. SHIM WHERE SPACE OF 1/16" OR GREATER OCCURS. MAXIMUM ALLOWABLE SHIM STACK TO BE 1/4".
8. SHIMS SHALL BE LOCATED, APPLIED AND MADE FROM MATERIALS AND THICKNESS CAPABLE OF SUSTAINING APPLICABLE LOADS.
9. WIND LOAD DURATION FACTOR Cd=1.6 WAS USED FOR WOOD ANCHOR CALCULATIONS.
10. FRAME MATERIAL: EXTRUDED RIGID PVC.
11. UNITS MUST BE GLAZED PER ASTM E1300, SEE SHEET 2 FOR DETAILS.
12. APPROVED IMPACT PROTECTIVE SYSTEM IS NOT REQUIRED FOR THIS PRODUCT IN WIND BORNE DEBRIS REGIONS.

13. FOR ANCHORING THROUGH FRAME INTO WOOD FRAMING OR 2X BUCK USE #10 WOOD SCREWS WITH SUFFICIENT LENGTH TO ACHIEVE A 1-3/8" MINIMUM EMBEDMENT INTO SUBSTRATE. LOCATE ANCHORS AS SHOWN IN ELEVATIONS AND INSTALLATION DETAILS.
14. FOR ANCHORING THROUGH FRAME INTO MASONRY/CONCRETE USE 1/4" TAPCONS WITH SUFFICIENT LENGTH TO ACHIEVE A 1 1/4" MINIMUM EMBEDMENT INTO SUBSTRATE WITH 2 1/2" MINIMUM EDGE DISTANCE. LOCATE ANCHORS AS SHOWN IN ELEVATIONS AND INSTALLATION DETAILS.
15. FOR ANCHORING THROUGH FRAME INTO METAL STRUCTURE USE #10 SMS OR SELF DRILLING SCREWS WITH SUFFICIENT LENGTH TO ACHIEVE 3 THREADS MINIMUM BEYOND STRUCTURE INTERIOR WALL. LOCATE ANCHORS AS SHOWN IN ELEVATIONS AND INSTALLATION DETAILS.
16. ALL FASTENERS TO BE CORROSION RESISTANT.
17. INSTALLATION ANCHORS SHALL BE INSTALLED IN ACCORDANCE WITH ANCHOR MANUFACTURER'S INSTALLATION INSTRUCTIONS AND ANCHORS SHALL NOT BE USED IN SUBSTRATES WITH STRENGTHS LESS THAN THE MINIMUM STRENGTH SPECIFIED BELOW:
 - A. WOOD: MINIMUM SPECIFIC GRAVITY OF G=0.42
 - B. CONCRETE: MINIMUM COMPRESSIVE STRENGTH OF 2,000 PSI.
 - C. MASONRY: HOLLOW/FILLED BLOCK PER ASTM C90 WITH Fm=2,000PSI MINIMUM.
 - D. METAL STRUCTURE: STEEL 18GA (.048") FY=33KSI/FU=52KSI OR ALUMINUM 6063-T5 FU=30KSI .048" THICK MINIMUM
18. GEOMETRIC SHAPES ARE ALSO APPROVED. APPROVED GEOMETRIC SHAPES DIMENSIONS SHALL NOT EXCEED INSCRIBED DIMENSIONS OF APPROVED RECTANGULAR ASSEMBLY SHOWN IN SHEET 2.

SIGNED: 07/19/2022

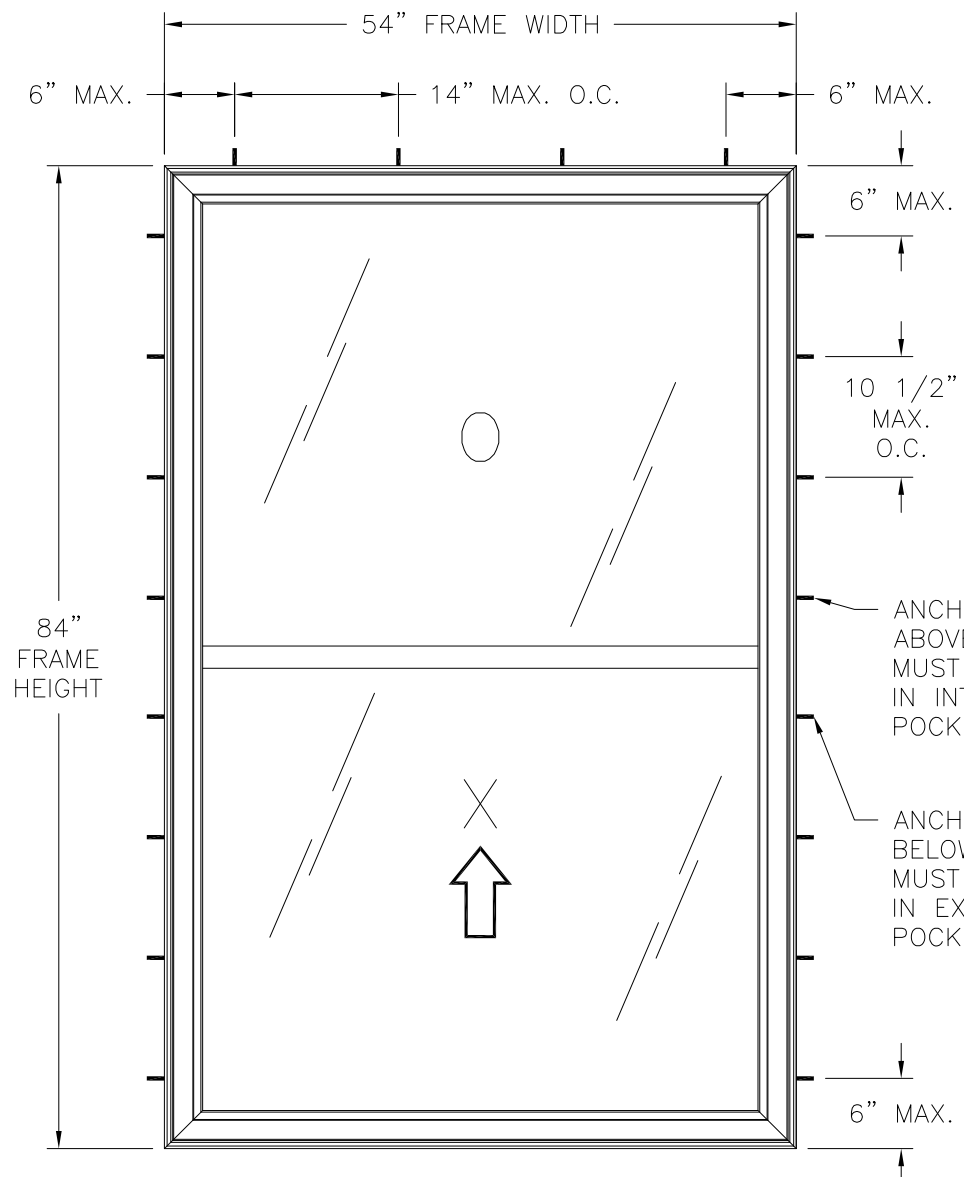
TABLE OF CONTENTS	
SHEET NO.	DESCRIPTION
1	NOTES
2	ELEVATION
3 - 6	INSTALLATION DETAILS
7	COMPONENTS

STERGIS WINDOW & DOORS 79 WALTON STREET ATTLEBORO, MA 02703		
5000 SERIES IMPACT SINGLE HUNG SH-93 WINDOW NOTES		
DRAWN: R.L.	DWG NO. 08-03837	REV -
SCALE NTS	DATE 07/18/2022	SHEET 1 OF 7
L. ROBERTO LOMAS P.E. 400 S. PALM AVE, INDIALANTIC, FL 32903 434-688-0609 rllomas@rlomaspe.com		



Luis R. Lomas P.E.
FL No.: 62514

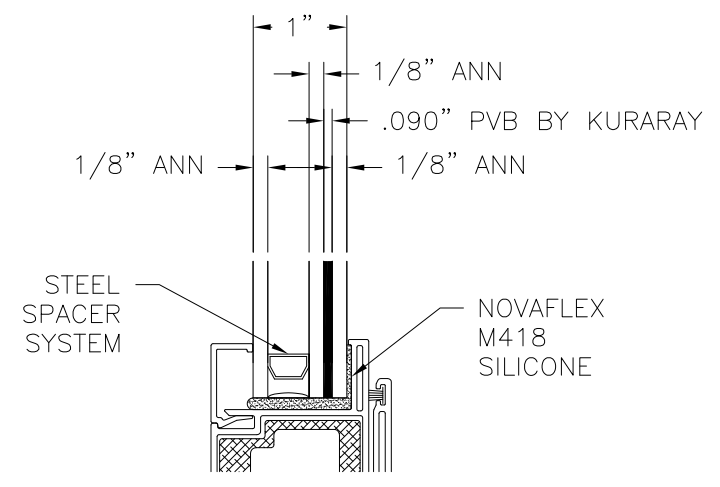
REVISIONS			
REV	DESCRIPTION	DATE	APPROVED



- NOTES:**
- SASH SIZE: 51" X 42 1/4"
 - SASH D.L.O.: 47 1/8" X 38 5/16"
 - FIXED D.L.O.: 50 1/8" X 38 3/8"

ANCHORS LOCATED ABOVE MIDSPAN MUST BE INSTALLED IN INTERIOR BALANCE POCKET

ANCHORS LOCATED BELOW MIDSPAN MUST BE INSTALLED IN EXTERIOR BALANCE POCKET



GLAZING DETAIL

5000 SERIES PVC SINGLE HUNG WINDOW
EXTERIOR VIEW

DESIGN PRESSURE RATING	IMPACT RATING
±75.0PSF	LARGE & SMALL MISSILE IMPACT

MISSILE LEVEL D, WIND ZONE 3
54" X 84" UNIT SHOWN. OTHER SIZES APPROVED AS LONG AS FRAME AREA DOES NOT EXCEED 31.5 FT²

HARDWARE SCHEDULE

A.	(2) METAL LOCK AND KEEPER AT LOCK RAIL 9" FROM EACH END
B.	(2) TILT LATCH AT SASH TOP CORNERS
C.	(2) BLOCK FOR TILT LATCH AT TILT LATCH
D.	(2) BALANCE SYSTEM WITH PIVOT SHOES ONE PER JAMB
E.	(2) PIVOT BAR AT SASH BOTTOM CORNERS
F.	ALUMINUM REINFORCEMENT (SE9346B) AT LOCK RAIL
G.	ALUMINUM REINFORCEMENT (SE9304) AT FIXED MEETING RAIL
H.	ALUMINUM REINFORCEMENT (SE9345) AT BOTTOM RAIL AND STILES

SIGNED: 07/19/2022

STERGIS WINDOW & DOORS
79 WALTON STREET
ATTLEBORO, MA 02703

5000 SERIES IMPACT SINGLE HUNG SH-93 WINDOW ELEVATION

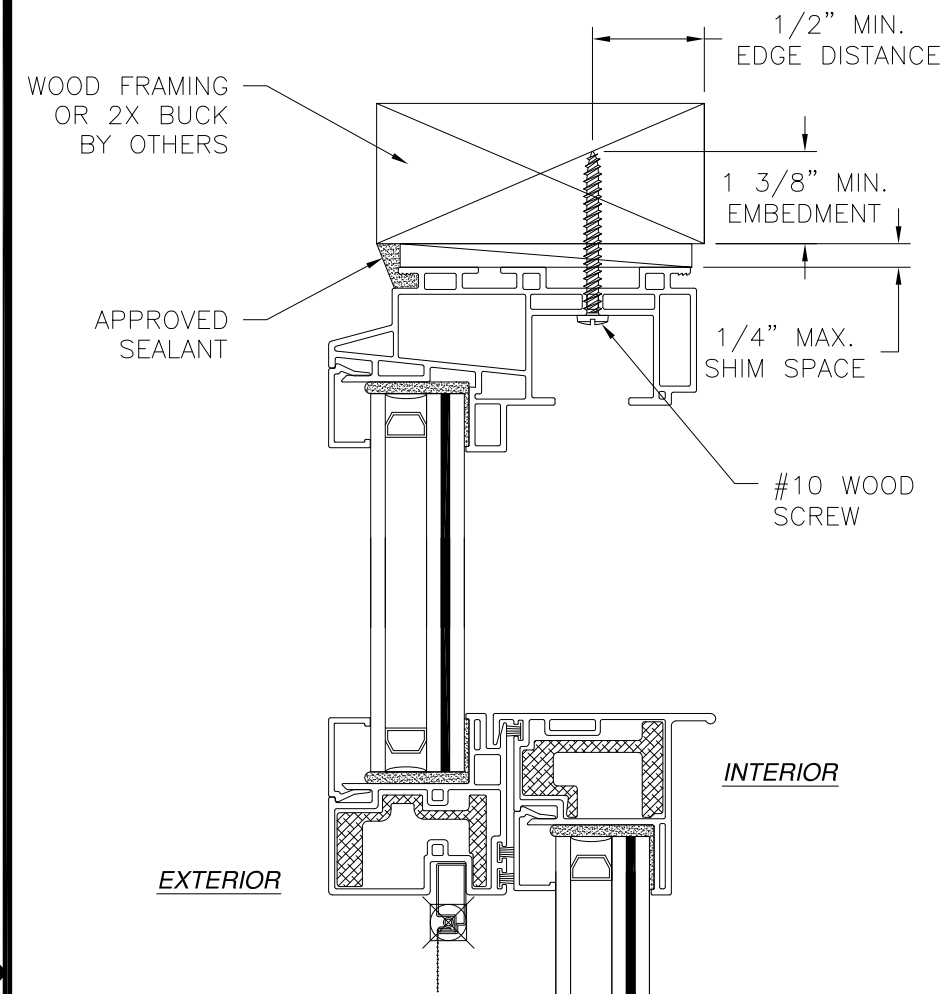
DRAWN: R.L.	DWG NO. 08-03837	REV -
SCALE NTS	DATE 07/18/2022	SHEET 2 OF 7

L. ROBERTO LOMAS P.E.
400 S. PALM AVE, INDIALANTIC, FL 32903
434-688-0609 rllomas@rlomaspe.com

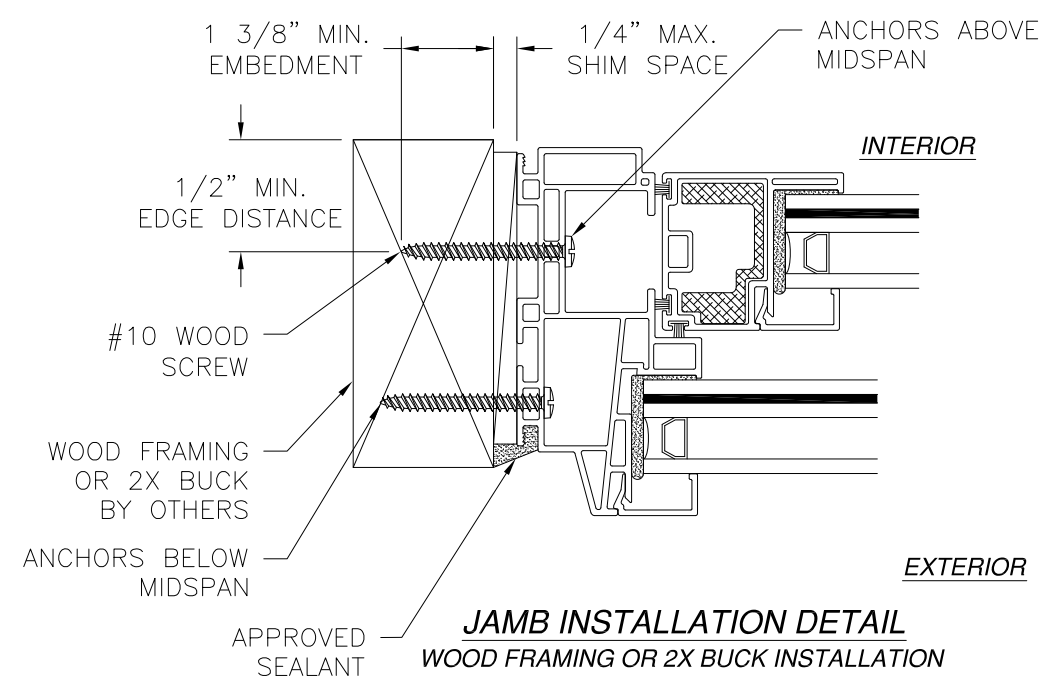


Luis R. Lomas P.E.
FL No.: 62514

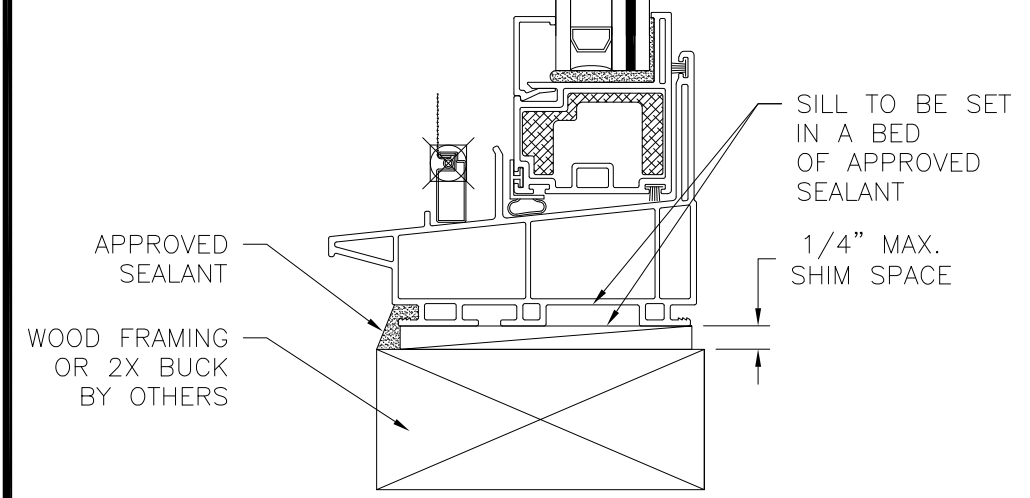
REVISIONS			
REV	DESCRIPTION	DATE	APPROVED



VERTICAL CROSS SECTION
WOOD FRAMING OR 2X BUCK INSTALLATION



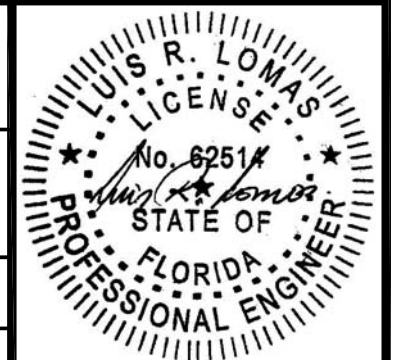
JAMB INSTALLATION DETAIL
WOOD FRAMING OR 2X BUCK INSTALLATION



NOTES:
1. INTERIOR AND EXTERIOR FINISHES, BY OTHERS, NOT SHOWN FOR CLARITY.
2. PERIMETER AND JOINT SEALANT BY OTHERS TO BE DESIGNED IN ACCORDANCE WITH ASTM E2112

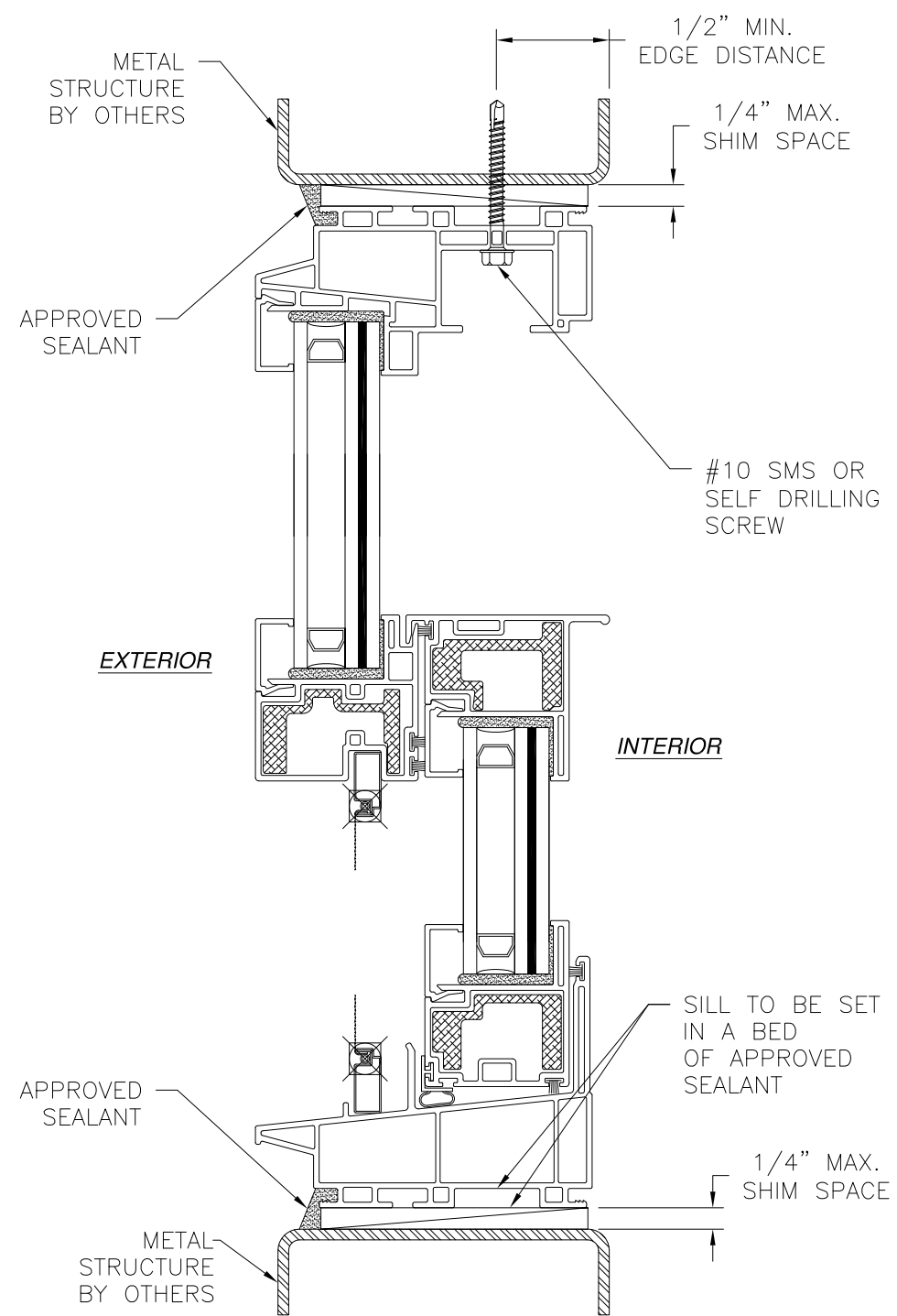
STERGIS WINDOW & DOORS 79 WALTON STREET ATTLEBORO, MA 02703		
5000 SERIES IMPACT SINGLE HUNG SH-93 WINDOW INSTALLATION DETAILS		
DRAWN: R.L.	DWG NO. 08-03837	REV -
SCALE NTS	DATE 07/18/2022	SHEET 3 OF 7
L. ROBERTO LOMAS P.E. 400 S. PALM AVE, INDIALANTIC, FL 32903 434-688-0609 rllomas@rlomaspe.com		

SIGNED: 07/19/2022

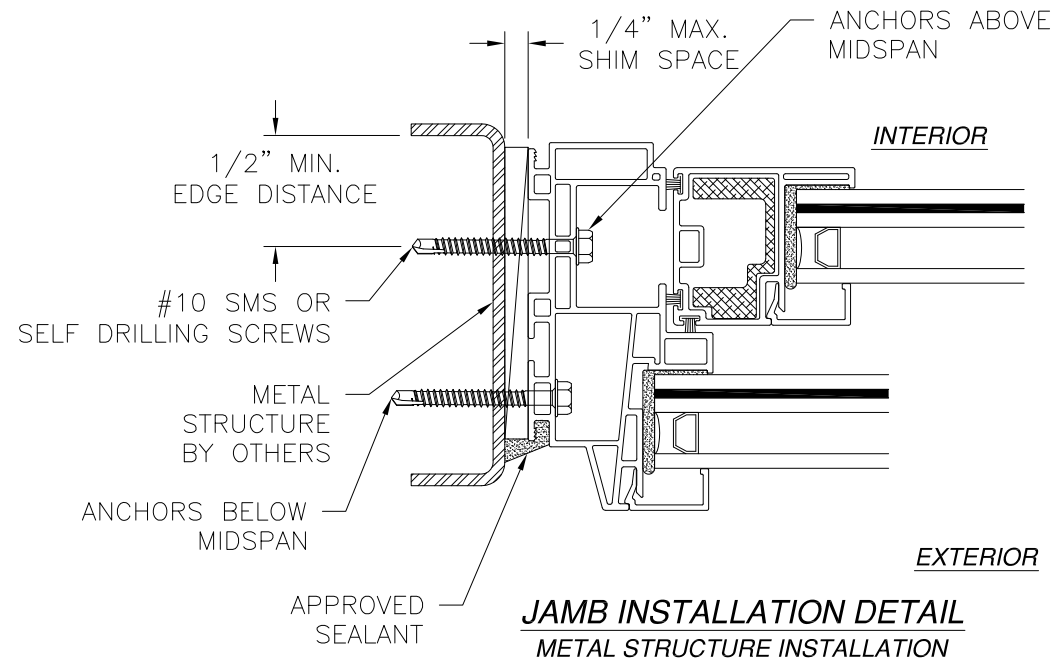


Luis R. Lomas P.E.
FL No.: 62514

REVISIONS			
REV	DESCRIPTION	DATE	APPROVED



VERTICAL CROSS SECTION
METAL STRUCTURE INSTALLATION

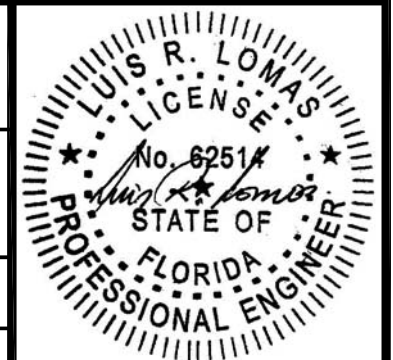


JAMB INSTALLATION DETAIL
METAL STRUCTURE INSTALLATION

NOTES:
 1. INTERIOR AND EXTERIOR FINISHES, BY OTHERS, NOT SHOWN FOR CLARITY.
 2. PERIMETER AND JOINT SEALANT BY OTHERS TO BE DESIGNED IN ACCORDANCE WITH ASTM E2112

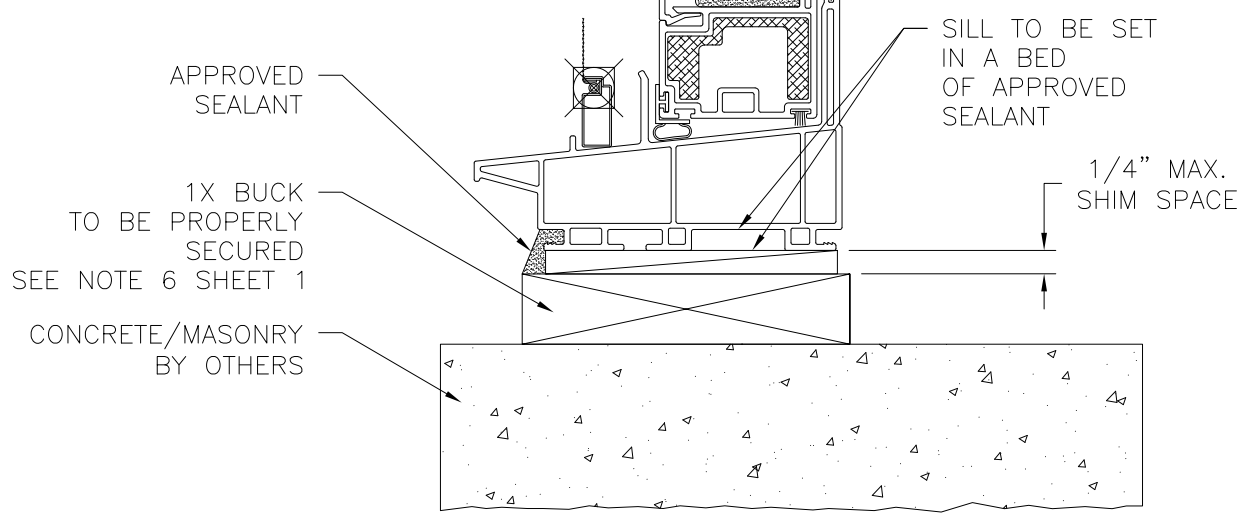
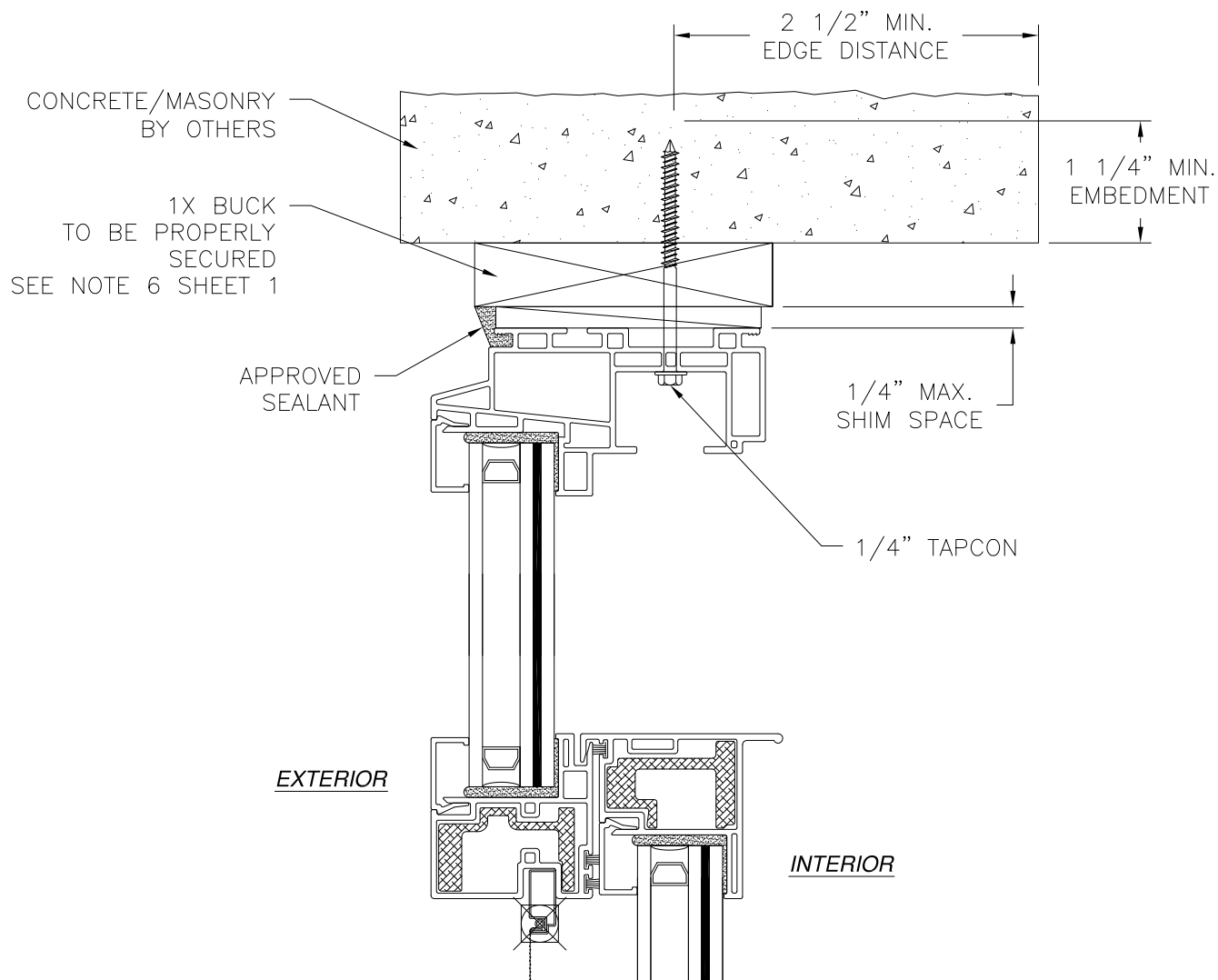
STERGIS WINDOW & DOORS 79 WALTON STREET ATTLEBORO, MA 02703		
5000 SERIES IMPACT SINGLE HUNG SH-93 WINDOW INSTALLATION DETAILS		
DRAWN: R.L.	DWG NO. 08-03837	REV -
SCALE NTS	DATE 07/18/2022	SHEET 4 OF 7
L. ROBERTO LOMAS P.E. 400 S. PALM AVE, INDIALANTIC, FL 32903 434-688-0609 rllomas@rlomaspe.com		

SIGNED: 07/19/2022



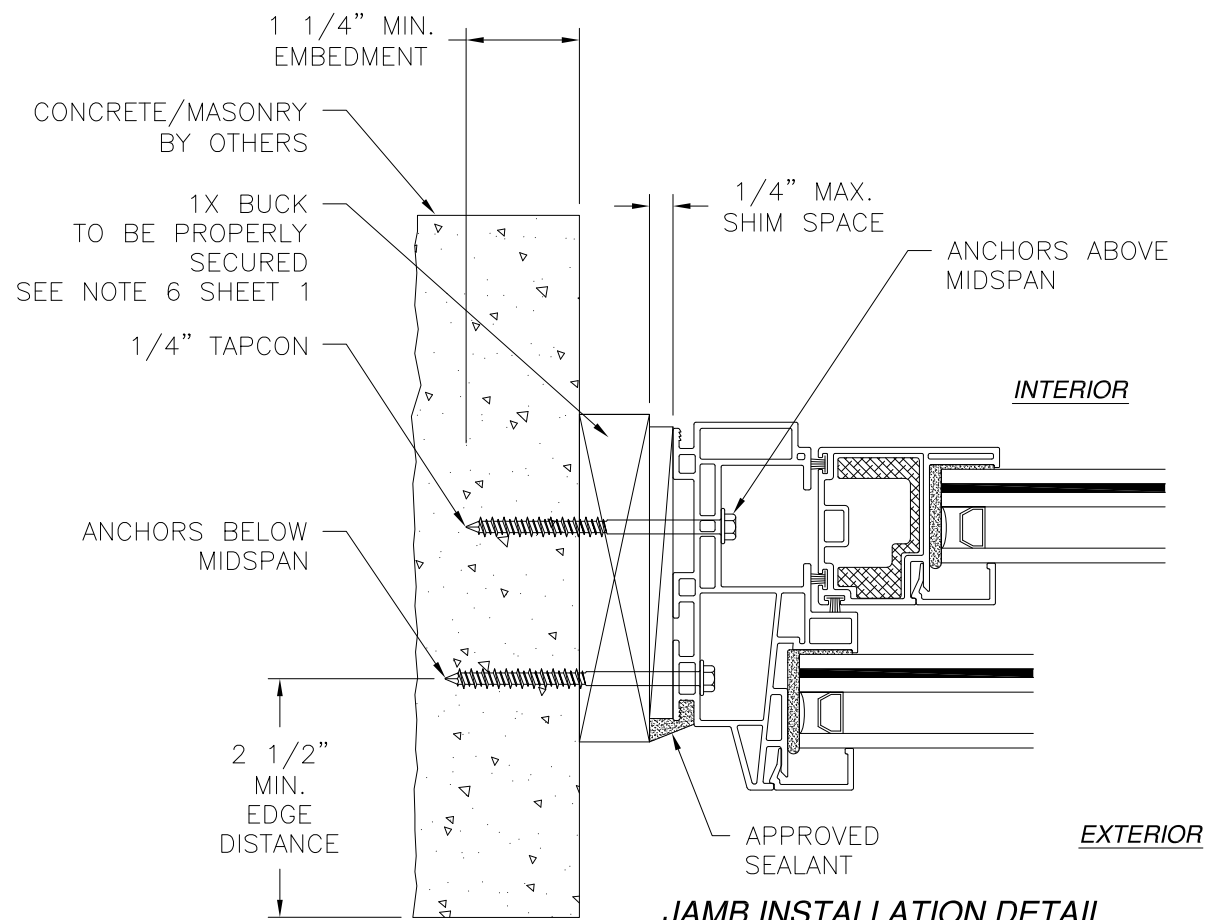
Luis R. Lomas P.E.
FL No.: 62514

REVISIONS			
REV	DESCRIPTION	DATE	APPROVED



VERTICAL CROSS SECTION
CONCRETE/MASONRY INSTALLATION

NOTES:
 1. INTERIOR AND EXTERIOR FINISHES, BY OTHERS, NOT SHOWN FOR CLARITY.
 2. PERIMETER AND JOINT SEALANT BY OTHERS TO BE DESIGNED IN ACCORDANCE WITH ASTM E2112



JAMB INSTALLATION DETAIL
CONCRETE/MASONRY INSTALLATION

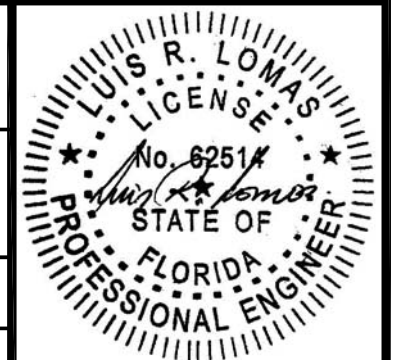
STERGIS WINDOW & DOORS
 79 WALTON STREET
 ATTLEBORO, MA 02703

5000 SERIES IMPACT SINGLE HUNG SH-93
 WINDOW
 INSTALLATION DETAILS

DRAWN: R.L.	DWG NO. 08-03837	REV -
SCALE NTS	DATE 07/18/2022	SHEET 5 OF 7

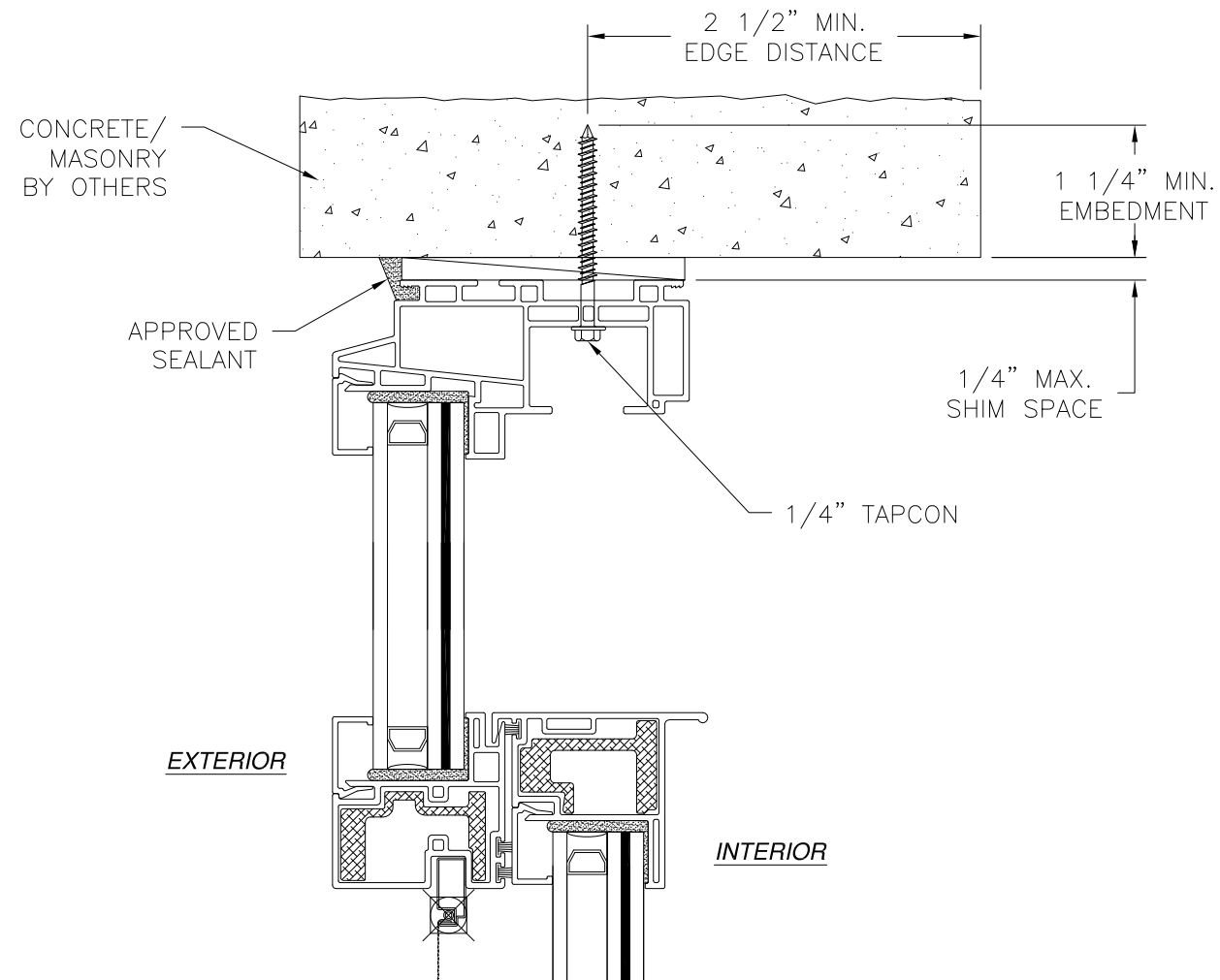
L. ROBERTO LOMAS P.E.
 400 S. PALM AVE, INDIANLANTIC, FL 32903
 434-688-0609 rllomas@rlomaspe.com

SIGNED: 07/19/2022

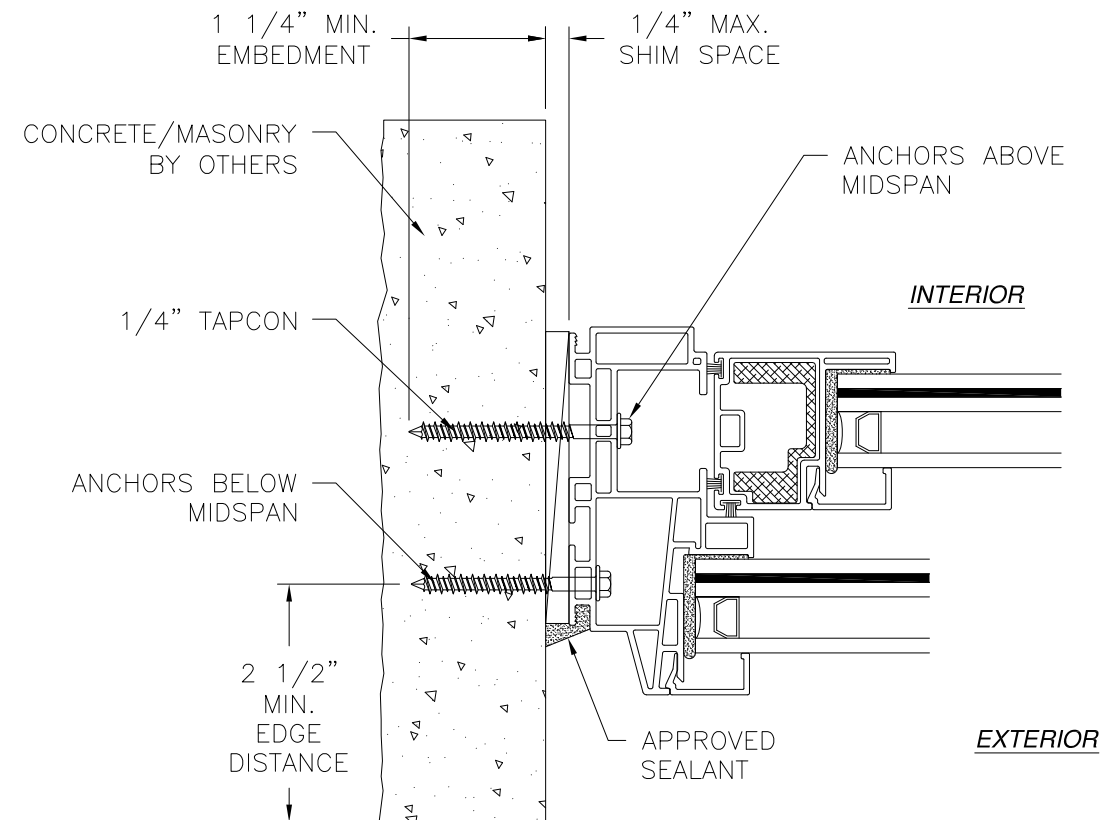
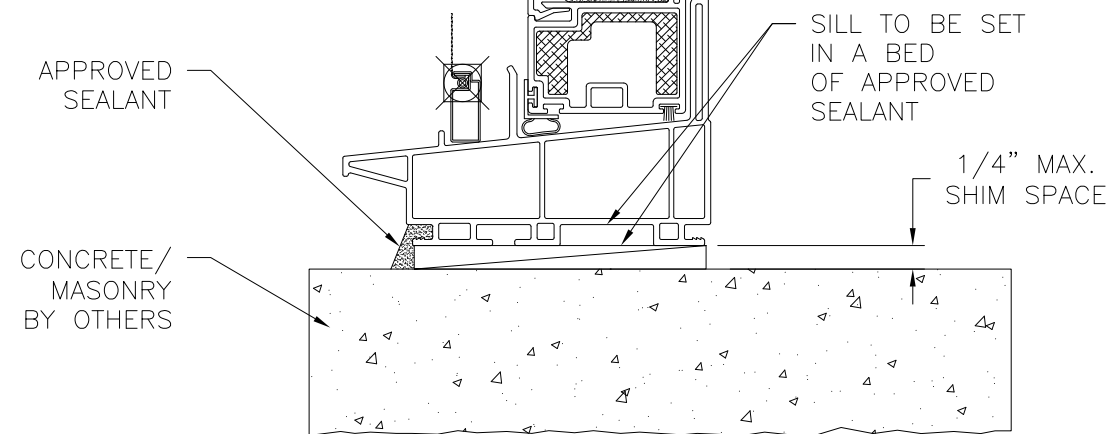


Luis R. Lomas P.E.
 FL No.: 62514

REVISIONS			
REV	DESCRIPTION	DATE	APPROVED



VERTICAL CROSS SECTION
CONCRETE/MASONRY INSTALLATION

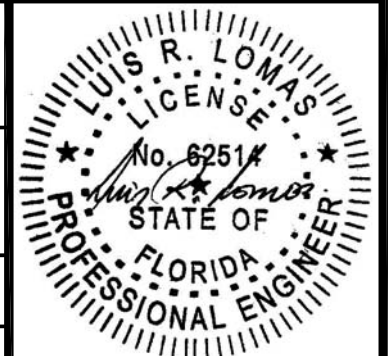


JAMB INSTALLATION DETAIL
CONCRETE/MASONRY INSTALLATION

- NOTES:**
1. INTERIOR AND EXTERIOR FINISHES, BY OTHERS, NOT SHOWN FOR CLARITY.
 2. PERIMETER AND JOINT SEALANT BY OTHERS TO BE DESIGNED IN ACCORDANCE WITH ASTM E2112

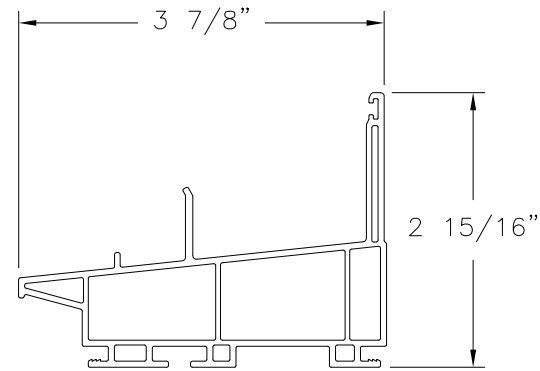
STERGIS WINDOW & DOORS 79 WALTON STREET ATTLEBORO, MA 02703		
5000 SERIES IMPACT SINGLE HUNG SH-93 WINDOW INSTALLATION DETAILS		
DRAWN: R.L.	DWG NO. 08-03837	REV -
SCALE NTS	DATE 07/18/2022	SHEET 6 OF 7
L. ROBERTO LOMAS P.E. 400 S. PALM AVE, INDIALANTIC, FL 32903 434-688-0609 rllomas@rlomaspe.com		

SIGNED: 07/19/2022

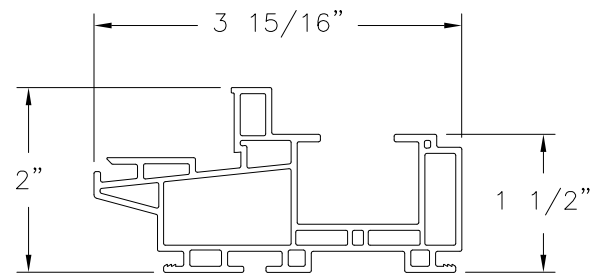


Luis R. Lomas P.E.
FL No.: 62514

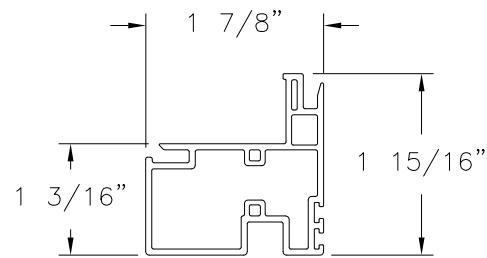
REVISIONS			
REV	DESCRIPTION	DATE	APPROVED



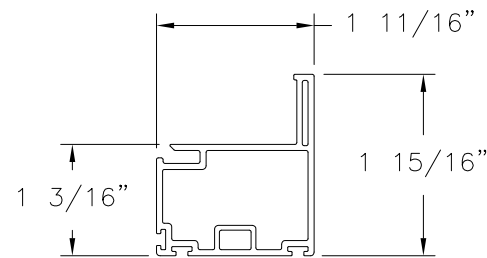
SILL (SH9303)
VINYL PVC .065" THICK



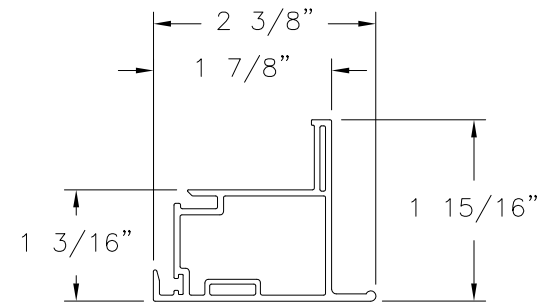
FRAME (SH9301)
VINYL PVC .065" THICK



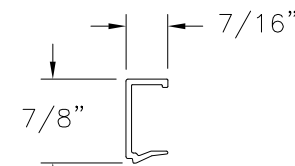
FIXED MEETING RAIL (SE9304)
VINYL PVC .065" THICK



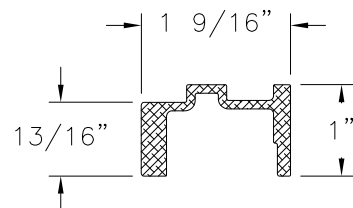
COMMON SASH (SE9345)
VINYL PVC .065" THICK



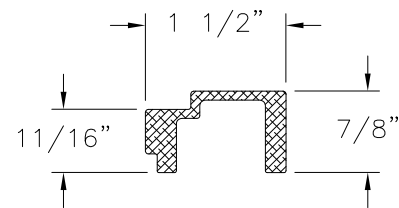
LIFT RAIL (SE9346)
VINYL PVC .065" THICK



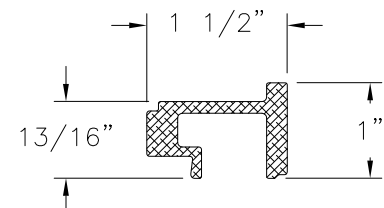
3/4" GLAZING BEAD (BV137)
VINYL PVC .059" THICK



REINFORCING (SE9304)
ALUMINUM 6063-T6 .09" THICK



REINFORCING (SE9345)
ALUMINUM 6063-T5 .095" THICK



REINFORCING (SE9346)
ALUMINUM 6063-T6 .125" THICK

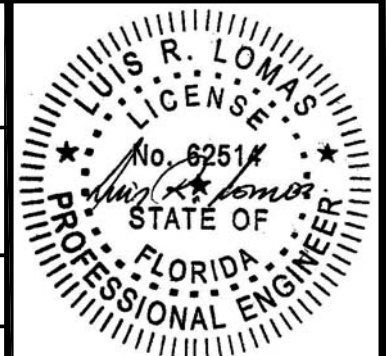
SIGNED: 07/19/2022

STERGIS WINDOW & DOORS
79 WALTON STREET
ATTLEBORO, MA 02703

5000 SERIES IMPACT SINGLE HUNG SH-93
WINDOW
COMPONENTS

DRAWN: R.L.	DWG NO. 08-03837	REV -
SCALE NTS	DATE 07/18/2022	SHEET 7 OF 7

L. ROBERTO LOMAS P.E.
400 S. PALM AVE, INDIALANTIC, FL 32903
434-688-0609 rllomas@rlomaspe.com



Luis R. Lomas P.E.
FL No.: 62514