

REVISIONS			
REV	DESCRIPTION	DATE	APPROVED
C	ADDED ORIEL CONFIGURATIONS & RATING	04/20/2021	R.L.

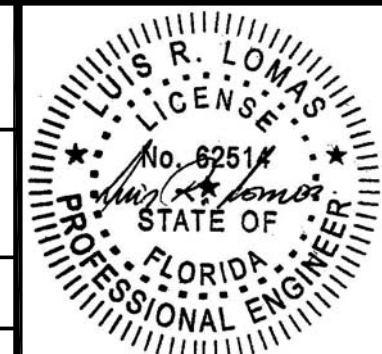
NOTES:

1. THE PRODUCT SHOWN HEREIN IS DESIGNED AND MANUFACTURED TO COMPLY WITH REQUIREMENTS OF THE FLORIDA BUILDING CODE.
2. WOOD FRAMING TO BE DESIGNED AND ANCHORED TO PROPERLY TRANSFER ALL LOADS TO STRUCTURE. FRAMING IS THE RESPONSIBILITY OF THE ARCHITECT OR ENGINEER OF RECORD.
3. CONTRACTOR IS RESPONSIBLE FOR MAINTAINING STRUCTURAL INTEGRITY OF WINDOW OPENING AND ALL WOOD FRAMING AROUND WINDOW.
4. FOR FIN INSTALLATION SHIM AS NEEDED. FOR FRAME INSTALLATION SHIM AS REQUIRED AT EACH ANCHOR LOCATION WITH LOAD BEARING SHIM. SHIM WHERE SPACE OF 1/16" OR GREATER OCCURS. MAXIMUM ALLOWABLE SHIM STACK TO BE 1/4".
5. SHIMS SHALL BE LOCATED, APPLIED AND MADE FROM MATERIALS AND THICKNESS CAPABLE OF SUSTAINING APPLICABLE LOADS.
6. WIND LOAD DURATION FACTOR Cd=1.6 WAS USED FOR WOOD ANCHOR CALCULATIONS.
7. FRAME MATERIAL: EXTRUDED RIGID PVC.
8. UNITS MUST BE GLAZED PER ASTM E1300.
9. APPROVED IMPACT PROTECTIVE SYSTEM IS REQUIRED FOR THIS PRODUCT IN WIND BORNE DEBRIS REGIONS.
10. FOR ANCHORING THROUGH FIN INTO WOOD FRAMING OR 2X BUCK USE #8 WOOD SCREWS WITH SUFFICIENT LENGTH TO ACHIEVE A 1" MINIMUM EMBEDMENT INTO SUBSTRATE. LOCATE ANCHORS AS SHOWN IN ELEVATIONS AND INSTALLATION DETAILS.
11. INSTALLATION ANCHORS SHALL BE INSTALLED IN ACCORDANCE WITH ANCHOR MANUFACTURER'S INSTALLATION INSTRUCTIONS AND ANCHORS SHALL NOT BE USED IN SUBSTRATES WITH STRENGTHS LESS THAN THE MINIMUM STRENGTH SPECIFIED BELOW:
A. WOOD: MINIMUM SPECIFIC GRAVITY OF G=0.42

SIGNED: 05/04/2021

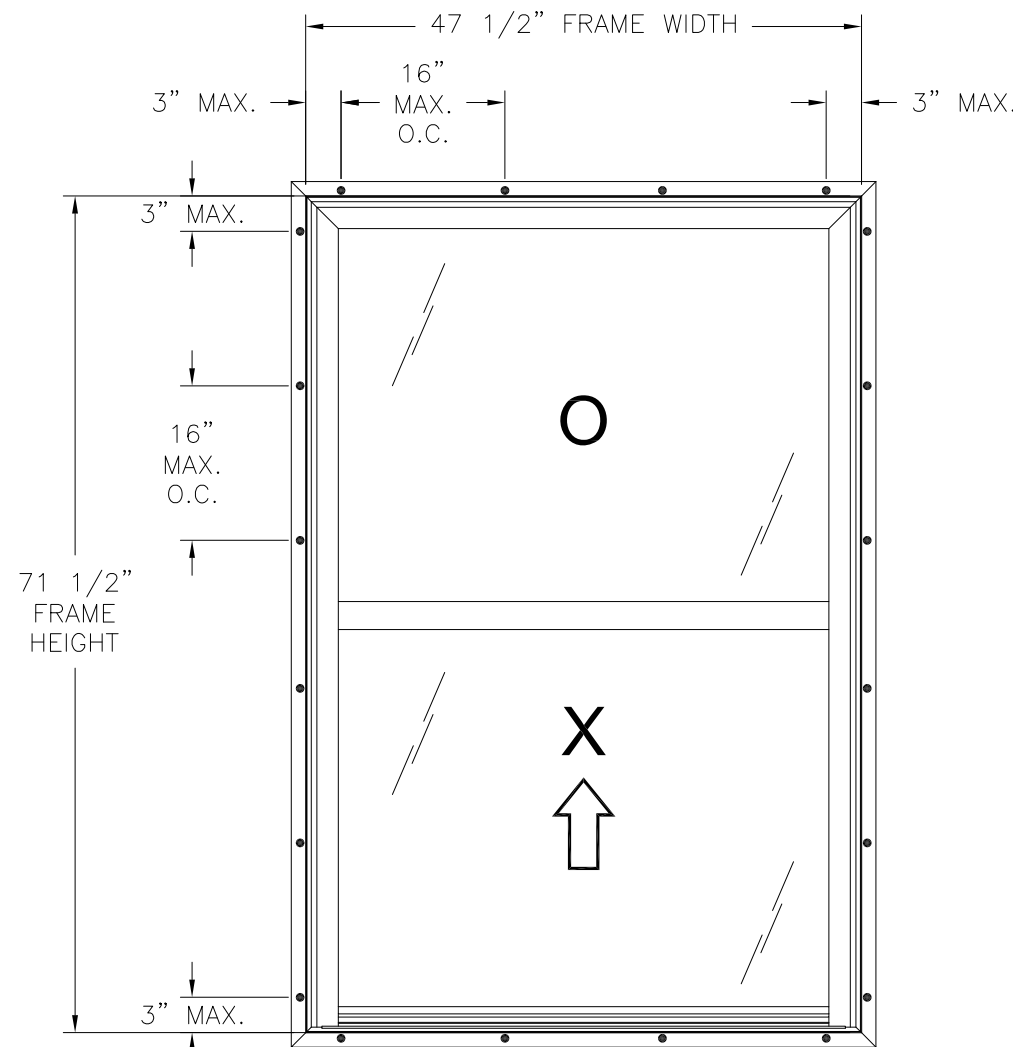
TABLE OF CONTENTS	
SHEET NO.	DESCRIPTION
1	NOTES
2	ELEVATIONS
3	INSTALLATION DETAILS
4	COMPONENTS

		EASTERN ARCHITECTURAL SYSTEMS A DIVISION OF EASTERN METAL SUPPLY 16341 DOMESTIC AVE FORT MYERS, FL 33912 800-432-2204	
SERIES 1431 VINYL SINGLE HUNG WINDOW 48" X 72" NON-IMPACT NOTES			
DRAWN: R.L.		DWG NO. 08-00556	
SCALE NTS		DATE 07/29/08	REV C
		SHEET 1 OF 4	
L. ROBERTO LOMAS P.E. 1432 WOODFORD RD LEWISVILLE, NC 27023 434-688-0609 rllomas@lrlomaspe.com			



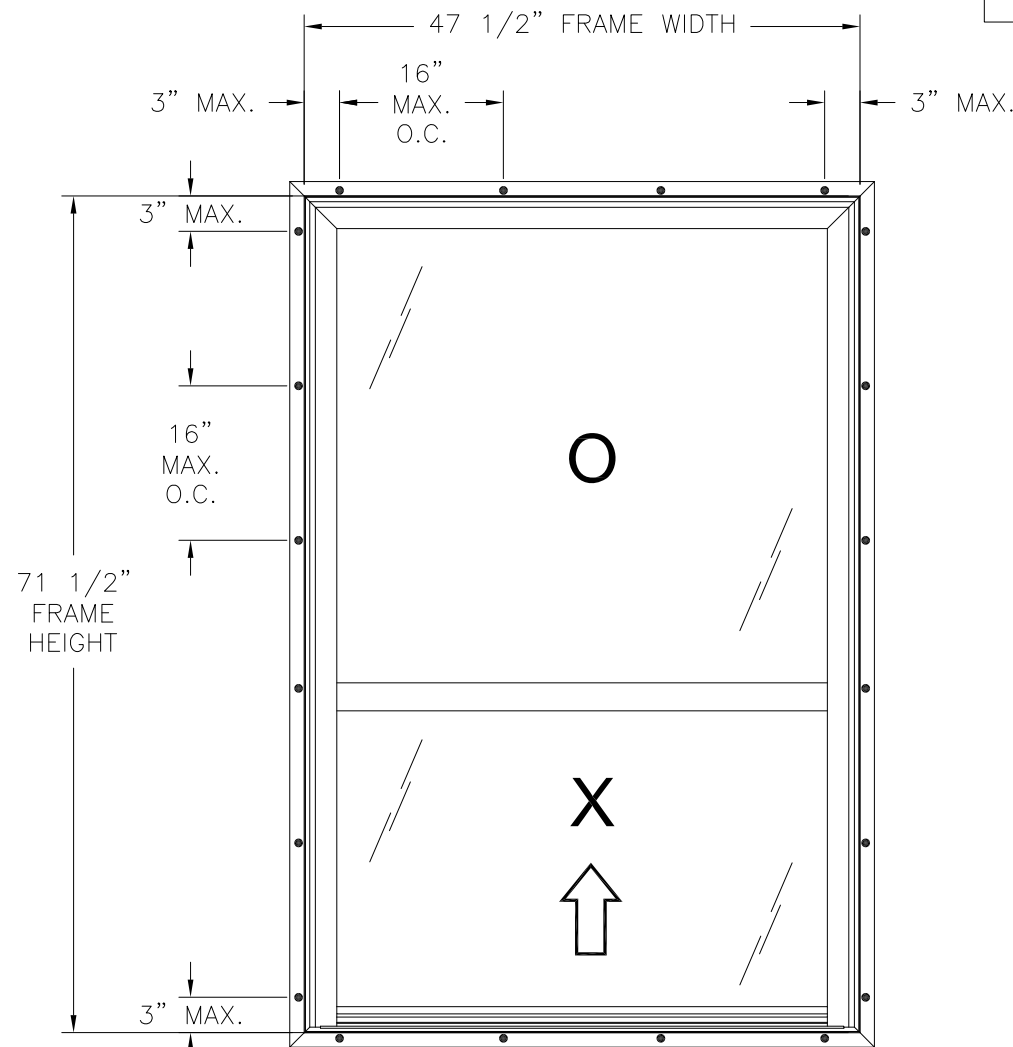
Luis R. Lomas P.E.
FL No.: 62514

REVISIONS			
REV	DESCRIPTION	DATE	APPROVED
C	ADDED ORIEL CONFIGURATIONS & RATING	04/20/2021	R.L.



SERIES 1431 VINYL SINGLE HUNG EQUAL WINDOW
EXTERIOR VIEW

DESIGN PRESSURE RATING	IMPACT RATING
±50.0PSF	NONE



SERIES 1431 VINYL SINGLE HUNG ORIEL WINDOW
EXTERIOR VIEW

DESIGN PRESSURE RATING	IMPACT RATING
±45.0PSF	NONE

- NOTES:**
- EQUAL SASH SIZE: 44 3/8" x 35"
 - EQUAL UNIT D.L.O.: 42 1/2" X 32 1/4"
 - ORIEL SASH SIZE: 44 3/8" X 28 1/2"
 - ORIEL SASH D.L.O.: 42 1/2" X 25 3/4"
 - ORIEL FIXED D.L.O.: 42 1/2" X 40 1/4"

HARDWARE SCHEDULE	
A.	(2) METAL CAM SWEEP LOCK WITH KEEPERS AT INTERIOR MEETING RAIL
B.	(2) METAL TILT LATCH AT INTERIOR MEETING RAIL
C.	(2) METAL PIVOT BARS AT BOTTOM CORNERS OF SASH
D.	(4) INTERLOCKING SNUBBERS, 16 1/2" FROM EACH CORNER AT SILL
E.	(2) SINGLE HUNG IMPACT CLIP AT INTERIOR MEETING RAIL
F.	ALUMINUM REINFORCEMENT (10300082) AT LOCK RAIL AND LIFT RAIL
G.	ALUMINUM REINFORCEMENT (10300084) AT MEETING RAIL



Eastern
ARCHITECTURAL SYSTEMS
ALUMINUM AND VINYL
IMPACT WINDOWS AND DOORS

EASTERN ARCHITECTURAL SYSTEMS
A DIVISION OF
EASTERN METAL SUPPLY
16341 DOMESTIC AVE
FORT MYERS, FL 33912
800-432-2204

SERIES 1431 VINYL SINGLE HUNG WINDOW
48" X 72" NON-IMPACT
ELEVATIONS

DRAWN: R.L.	DWG NO. 08-00556	REV C
SCALE NTS	DATE 07/29/08	SHEET 2 OF 4

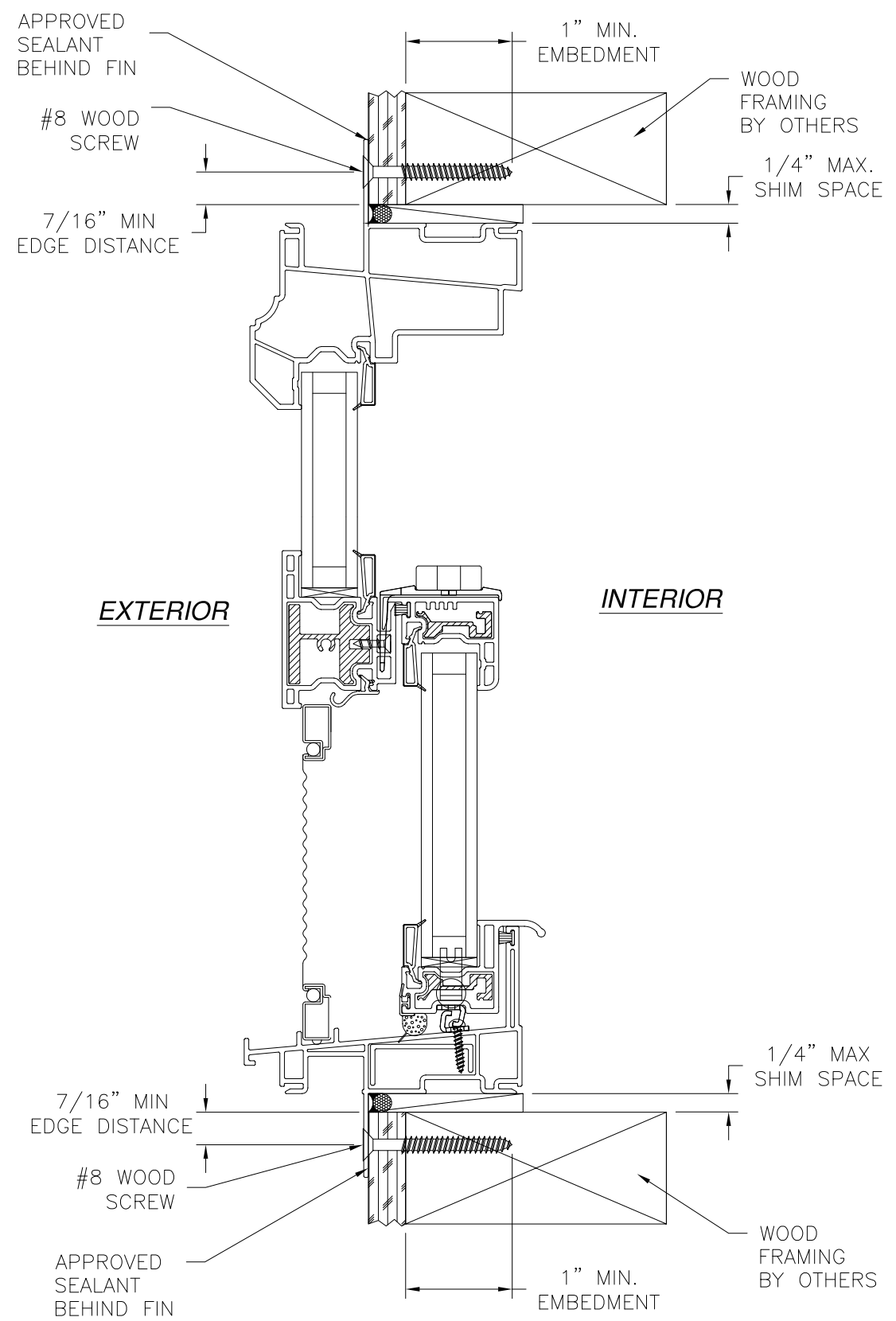
L. ROBERTO LOMAS P.E.
1432 WOODFORD RD LEWISVILLE, NC 27023
434-688-0609 rllomas@rlomaspe.com

SIGNED: 05/04/2021

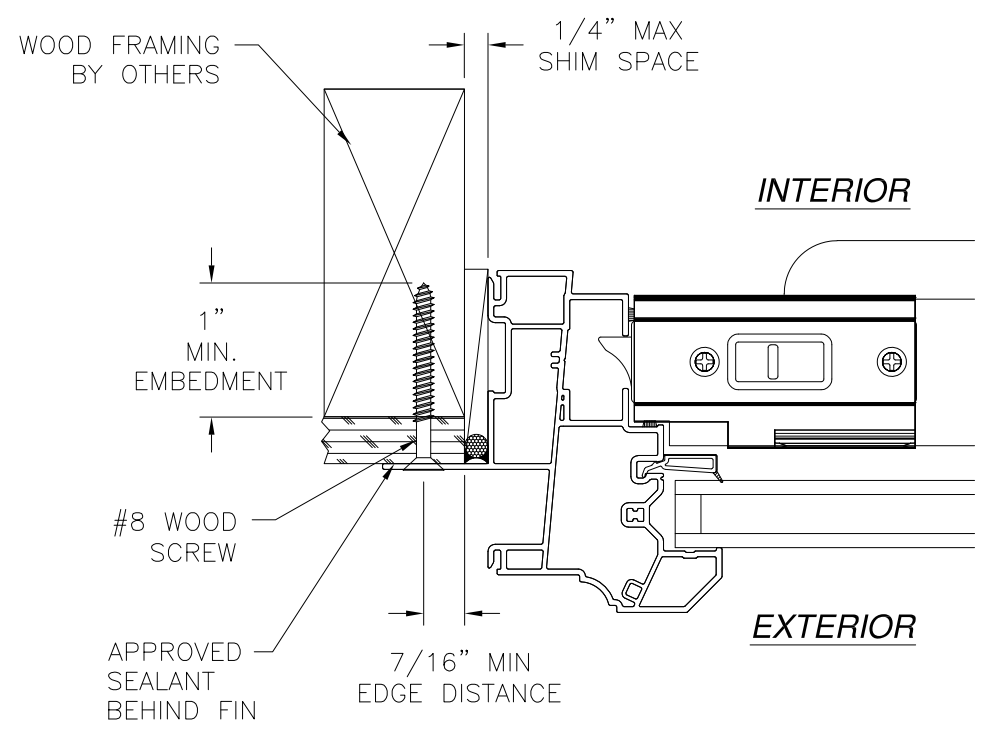


Luis R. Lomas P.E.
FL No.: 62514

REVISIONS			
REV	DESCRIPTION	DATE	APPROVED
C	ADDED ORIEL CONFIGURATIONS & RATING	04/20/2021	R.L.



VERTICAL CROSS SECTION
WOOD FRAMING OR 2X BUCK INSTALLATION



JAMB INSTALLATION DETAIL
WOOD FRAMING OR 2X BUCK INSTALLATION

- NOTES:**
1. INTERIOR AND EXTERIOR FINISHES, BY OTHERS, NOT SHOWN FOR CLARITY.
 2. PERIMETER AND JOINT SEALANT BY OTHERS TO BE DESIGNED IN ACCORDANCE WITH ASTM E2112

SIGNED: 05/04/2021

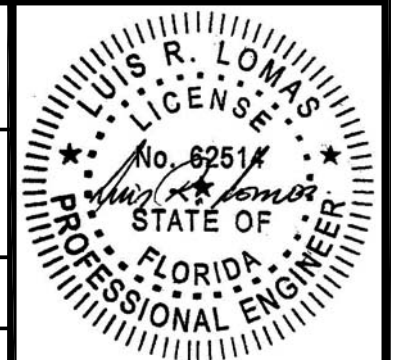
Eastern
ARCHITECTURAL SYSTEMS
ALUMINUM AND VINYL
IMPACT WINDOWS AND DOORS

EASTERN ARCHITECTURAL SYSTEMS
A DIVISION OF
EASTERN METAL SUPPLY
16341 DOMESTIC AVE
FORT MYERS, FL 33912
800-432-2204

SERIES 1431 VINYL SINGLE HUNG WINDOW
48" X 72" NON-IMPACT
INSTALLATION DETAILS

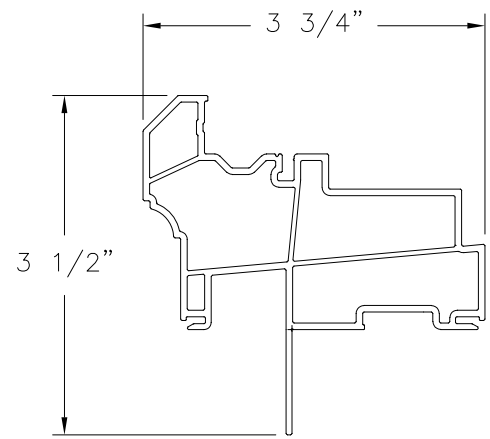
DRAWN: R.L.	DWG NO. 08-00556	REV C
SCALE NTS	DATE 07/29/08	SHEET 3 OF 4

L. ROBERTO LOMAS P.E.
1432 WOODFORD RD LEWISVILLE, NC 27023
434-688-0609 rllomas@rlomaspe.com

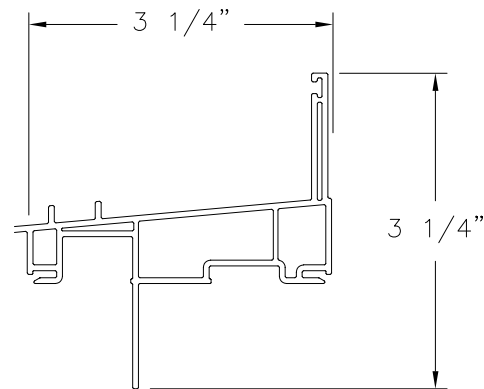


Luis R. Lomas P.E.
FL No.: 62514

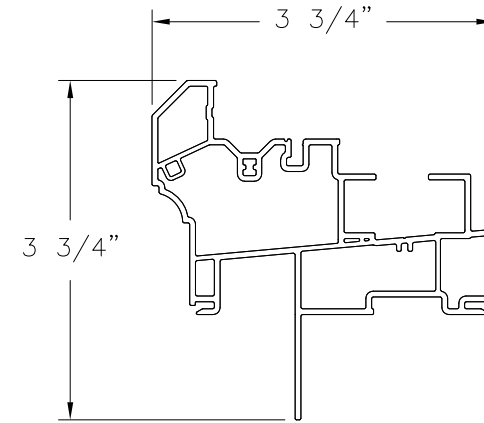
REVISIONS			
REV	DESCRIPTION	DATE	APPROVED
C	ADDED ORIEL CONFIGURATIONS & RATING	04/20/2021	R.L.



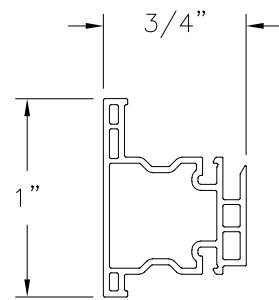
HEAD FRAME, FIN (10008687)
VINYL PVC



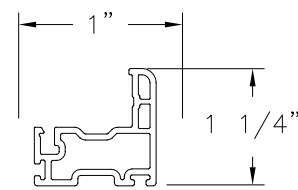
SILL FRAME, FIN (10008672)
VINYL PVC



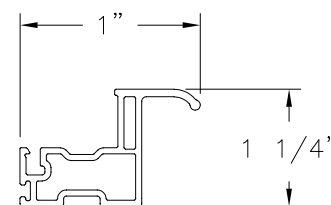
JAMB FRAME, FIN (10008686)
VINYL PVC



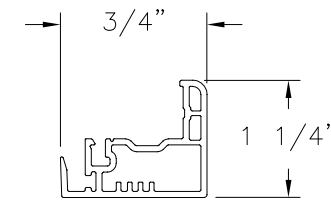
MEETING RAIL (10008511)
VINYL PVC



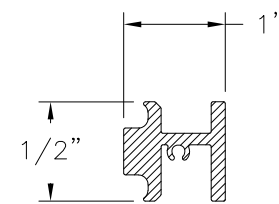
STILE (10008842)
VINYL PVC



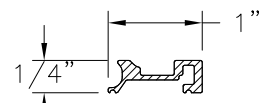
LIFT RAIL (10008882)
VINYL PVC



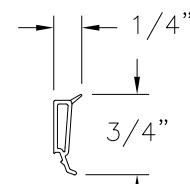
LOCK RAIL (10008845)
VINYL PVC



REINFORCEMENT (10300084)
ALUMINUM 6063-T5



REINFORCEMENT (10300082)
ALUMINUM 6063-T5



GLAZING BEAD (10005470)
VINYL PVC

Eastern
ARCHITECTURAL SYSTEMS
ALUMINUM AND VINYL
IMPACT WINDOWS AND DOORS

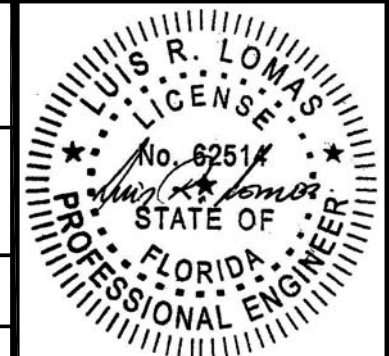
EASTERN ARCHITECTURAL SYSTEMS
A DIVISION OF
EASTERN METAL SUPPLY
16341 DOMESTIC AVE
FORT MYERS, FL 33912
800-432-2204

SERIES 1431 VINYL SINGLE HUNG WINDOW
48" X 72" NON-IMPACT
COMPONENTS

DRAWN: R.L.	DWG NO. 08-00556	REV C
SCALE NTS	DATE 07/29/08	SHEET 4 OF 4

L. ROBERTO LOMAS P.E.
1432 WOODFORD RD LEWISVILLE, NC 27023
434-688-0609 rllomas@lrlomaspe.com

SIGNED: 05/04/2021



Luis R. Lomas P.E.
FL No.: 62514