

REVISIONS			
REV	DESCRIPTION	DATE	APPROVED
D	ADDED ORIEL CONFIGURATIONS & RATING	04/28/2021	R.L.

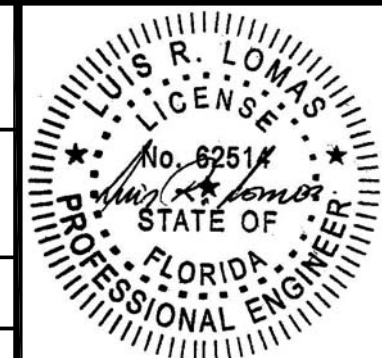
NOTES:

1. THE PRODUCT SHOWN HEREIN IS DESIGNED AND MANUFACTURED TO COMPLY WITH REQUIREMENTS OF THE FLORIDA BUILDING CODE.
2. WOOD FRAMING AND MASONRY OPENING TO BE DESIGNED AND ANCHORED TO PROPERLY TRANSFER ALL LOADS TO STRUCTURE. FRAMING AND MASONRY OPENING IS THE RESPONSIBILITY OF THE ARCHITECT OR ENGINEER OF RECORD.
3. 1X BUCK OVER MASONRY/CONCRETE IS OPTIONAL.
4. WHERE SHIM OR BUCK THICKNESS IS LESS THAN 1-1/2" WINDOW UNITS MUST BE ANCHORED THROUGH THE FRAME IN ACCORDANCE WITH MANUFACTURER'S PUBLISHED INSTALLATION INSTRUCTIONS. ANCHORS SHALL BE SECURELY FASTENED DIRECTLY INTO MASONRY, CONCRETE OR OTHER STRUCTURAL SUBSTRATE MATERIAL.
5. WHERE WOOD BUCK THICKNESS IS 1-1/2" OR GREATER, BUCK SHALL BE SECURELY FASTENED TO MASONRY, CONCRETE OR OTHER STRUCTURAL SUBSTRATE. WINDOW UNITS MAY BE ANCHORED THROUGH FRAME TO SECURED WOOD BUCK IN ACCORDANCE WITH MANUFACTURER'S PUBLISHED INSTALLATION INSTRUCTIONS.
6. WHERE 1X BUCK IS NOT USED DISSIMILAR MATERIALS MUST BE SEPARATED WITH APPROVED COATING OR MEMBRANE. SELECTION OF COATING OR MEMBRANE IS THE RESPONSIBILITY OF THE ARCHITECT OR ENGINEER OF RECORD.
7. BUCKS SHALL EXTEND BEYOND WINDOW INTERIOR FACE SO THAT FULL FRAME SUPPORT IS PROVIDED.
8. FOR FIN INSTALLATION SHIM AS NEEDED. FOR FRAME INSTALLATION SHIM AS REQUIRED AT EACH ANCHOR LOCATION WITH LOAD BEARING SHIM. SHIM WHERE SPACE OF 1/16" OR GREATER OCCURS. MAXIMUM ALLOWABLE SHIM STACK TO BE 1/4".
9. SHIMS SHALL BE LOCATED, APPLIED AND MADE FROM MATERIALS AND THICKNESS CAPABLE OF SUSTAINING APPLICABLE LOADS.
10. WIND LOAD DURATION FACTOR Cd=1.6 WAS USED FOR WOOD ANCHOR CALCULATIONS.
11. FRAME MATERIAL: EXTRUDED RIGID PVC.
12. UNITS MUST BE GLAZED PER ASTM E1300.
13. APPROVED IMPACT PROTECTIVE SYSTEM IS REQUIRED FOR THIS PRODUCT IN WIND BORNE DEBRIS REGIONS.
14. FOR ANCHORING INTO WOOD FRAMING OR 2X BUCK USE #10 WOOD SCREWS WITH SUFFICIENT LENGTH TO ACHIEVE A 1 1/4" MINIMUM EMBEDMENT INTO SUBSTRATE. LOCATE ANCHORS AS SHOWN IN ELEVATIONS AND INSTALLATION DETAILS.
15. FOR ANCHORING INTO MASONRY/CONCRETE USE 3/16" TAPCONS WITH SUFFICIENT LENGTH TO ACHIEVE A 1 1/4" MINIMUM EMBEDMENT INTO SUBSTRATE WITH 2" MINIMUM EDGE DISTANCE. LOCATE ANCHORS AS SHOWN IN ELEVATIONS AND INSTALLATION DETAILS.
16. FOR ANCHORING INTO METAL STRUCTURE USE #10 SMS OR SELF DRILLING SCREWS WITH SUFFICIENT LENGTH TO ACHIEVE 3 THREADS MINIMUM BEYOND STRUCTURE INTERIOR WALL. LOCATE ANCHORS AS SHOWN IN ELEVATIONS AND INSTALLATION DETAILS.
17. ALL FASTENERS TO BE CORROSION RESISTANT.
18. INSTALLATION ANCHORS SHALL BE INSTALLED IN ACCORDANCE WITH ANCHOR MANUFACTURER'S INSTALLATION INSTRUCTIONS AND ANCHORS SHALL NOT BE USED IN SUBSTRATES WITH STRENGTHS LESS THAN THE MINIMUM STRENGTH SPECIFIED BELOW:
  - A. WOOD – MINIMUM SPECIFIC GRAVITY OF G=0.42
  - B. CONCRETE – MINIMUM COMPRESSIVE STRENGTH OF 3,192 PSI.
  - C. MASONRY – STRENGTH CONFORMANCE TO ASTM C-90, GRADE N, TYPE 1 (OR GREATER).
  - D. METAL STRUCTURE: STEEL 18GA, 33KSI OR ALUMINUM 6063-T5 1/8" THICK MINIMUM

SIGNED: 05/04/2021

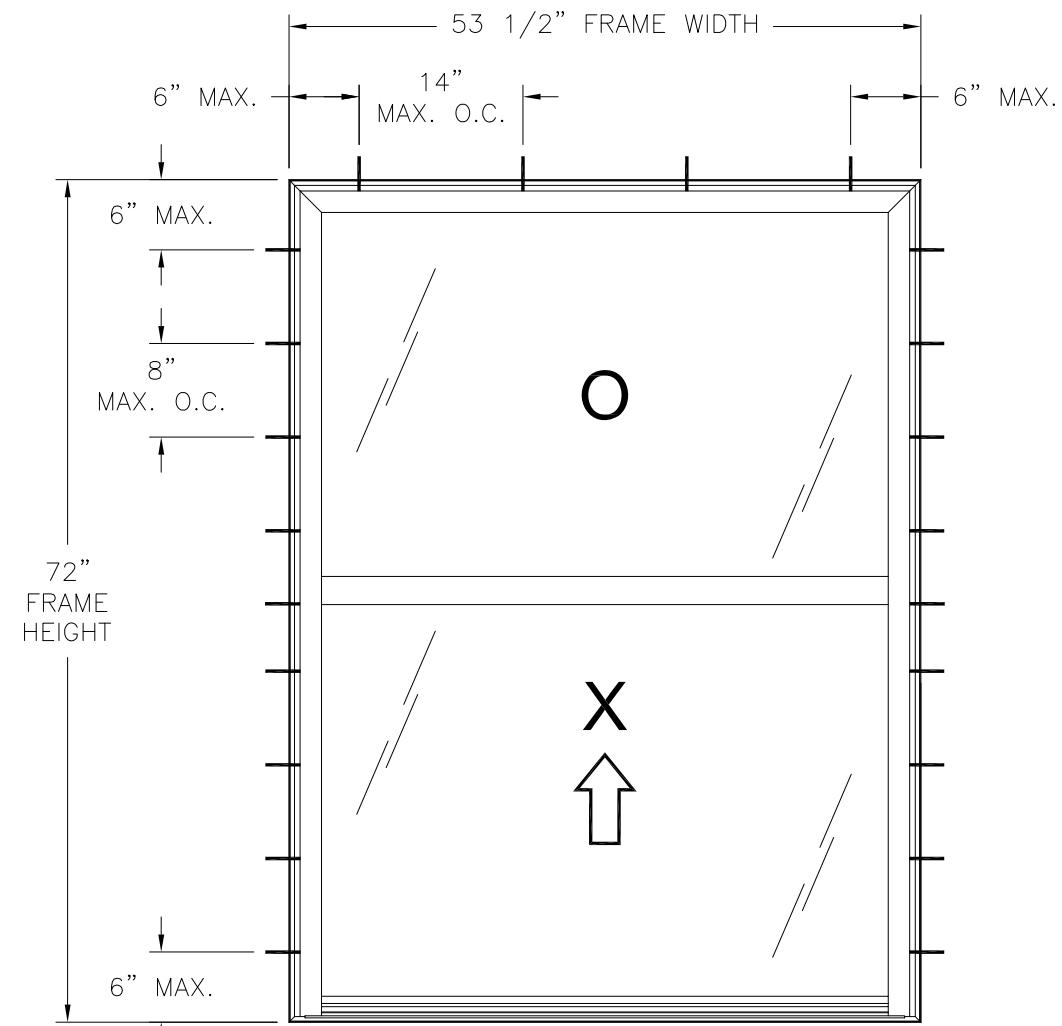
TABLE OF CONTENTS	
SHEET NO.	DESCRIPTION
1	NOTES
2	ELEVATION
3 - 5	INSTALLATION DETAILS
6	COMPONENTS

		EASTERN ARCHITECTURAL SYSTEMS A DIVISION OF EASTERN METAL SUPPLY 16341 DOMESTIC AVE FORT MYERS, FLORIDA 33912 800-432-2204	
SERIES 1441 VINYL SINGLE HUNG NON-IMPACT 54" X 72" NOTES			
DRAWN: A.M.		DWG NO. 08-00558	
SCALE NTS		DATE 07/29/08	REV D
		SHEET 1 OF 6	
L. ROBERTO LOMAS P.E. 1432 WOODFORD RD LEWISVILLE, NC 27023 434-688-0609 rllomas@lrlomaspe.com			



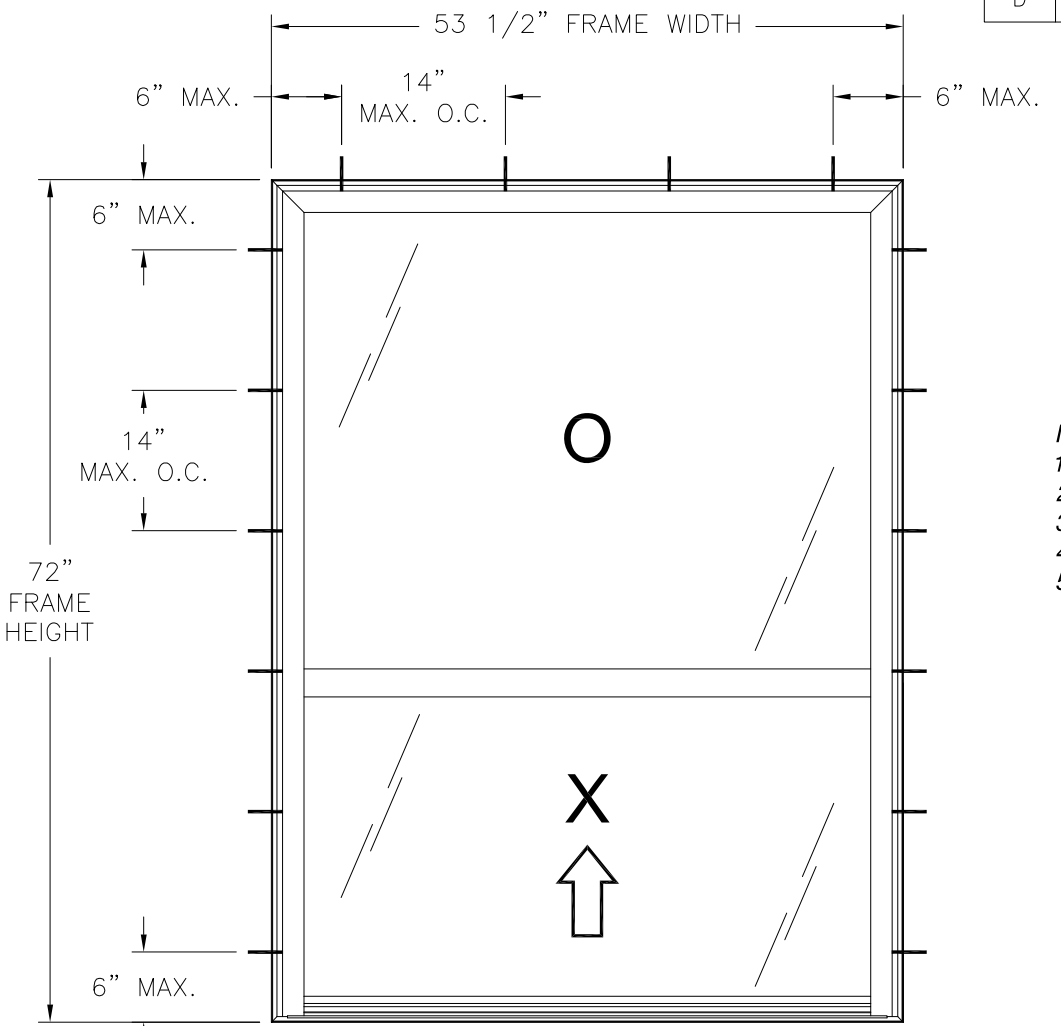
Luis R. Lomas P.E.  
FL No.: 62514

REVISIONS			
REV	DESCRIPTION	DATE	APPROVED
D	ADDED ORIEL CONFIGURATIONS & RATING	04/28/2021	R.L.



**SERIES 1441 VINYL SINGLE HUNG EQUAL WINDOW**  
EXTERIOR VIEW

DESIGN PRESSURE RATING	IMPACT RATING
±50.0PSF	NONE



**SERIES 1441 VINYL SINGLE HUNG ORIEL WINDOW**  
EXTERIOR VIEW

DESIGN PRESSURE RATING	IMPACT RATING
±40.0PSF	NONE

- NOTES:**
- EQUAL SASH SIZE: 50 3/8" x 35 1/8"
  - EQUAL UNIT D.L.O.: 48 1/2" X 32 1/2"
  - ORIEL SASH SIZE: 50 3/8" X 29"
  - ORIEL SASH D.L.O.: 48 1/2" X 26 3/8"
  - ORIEL FIXED D.L.O.: 48 1/2" X 40 7/8"

HARDWARE SCHEDULE	
A.	(2) METAL CAM SWEEP LOCK WITH KEEPERS AT INTERIOR MEETING RAIL
B.	(2) METAL TILT LATCH AT INTERIOR MEETING RAIL
C.	(2) SINGLE HUNG IMPACT CLIP AT INTERIOR MEETING RAIL
D.	(2) METAL PIVOT BARS AT BOTTOM CORNERS OF EACH SASH
E.	(4) INTERLOCKING SNUBBERS, 20 1/8" FROM CORNERS AT SILL AND BOTTOM RAIL
F.	ALUMINUM REINFORCEMENT (10300082) AT LOCK RAIL AND LIFT RAIL
G.	ALUMINUM REINFORCEMENT (10300084) AT MEETING RAIL



EASTERN ARCHITECTURAL SYSTEMS  
 A DIVISION OF  
 EASTERN METAL SUPPLY  
 16341 DOMESTIC AVE  
 FORT MYERS, FLORIDA 33912  
 800-432-2204

**SERIES 1441 VINYL SINGLE HUNG  
NON-IMPACT 54" X 72"  
ELEVATION**

DRAWN: A.M.	DWG NO. 08-00558	REV D
SCALE NTS	DATE 07/29/08	SHEET 2 OF 6

L. ROBERTO LOMAS P.E.  
 1432 WOODFORD RD LEWISVILLE, NC 27023  
 434-688-0609 rllomas@lrlomaspe.com

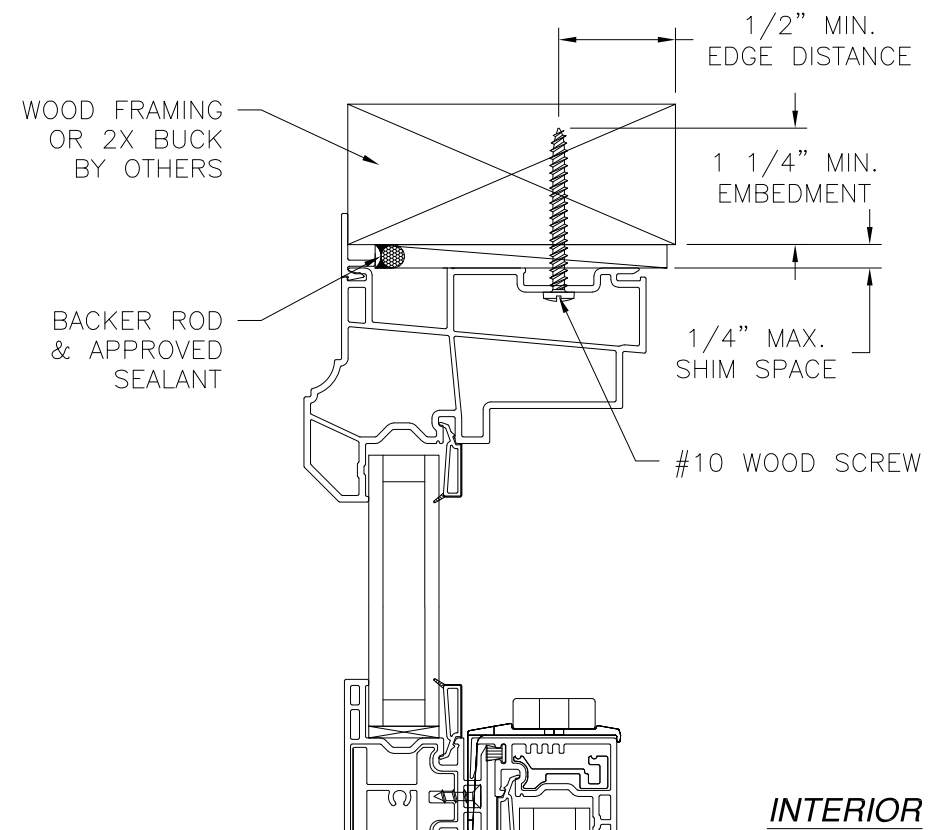
SIGNED: 05/04/2021



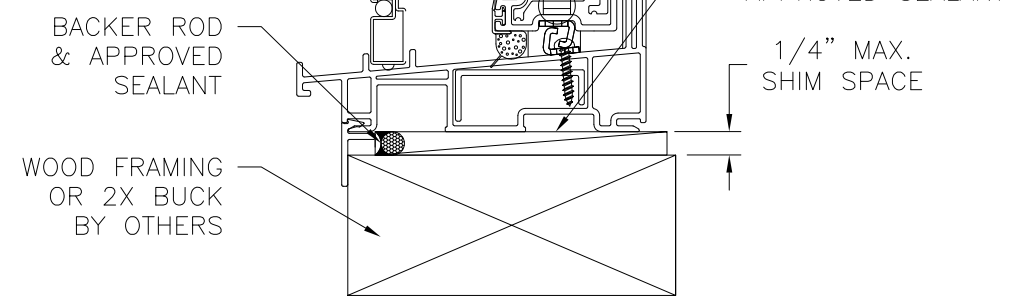
Luis R. Lomas P.E.  
FL No.: 62514

REVISIONS

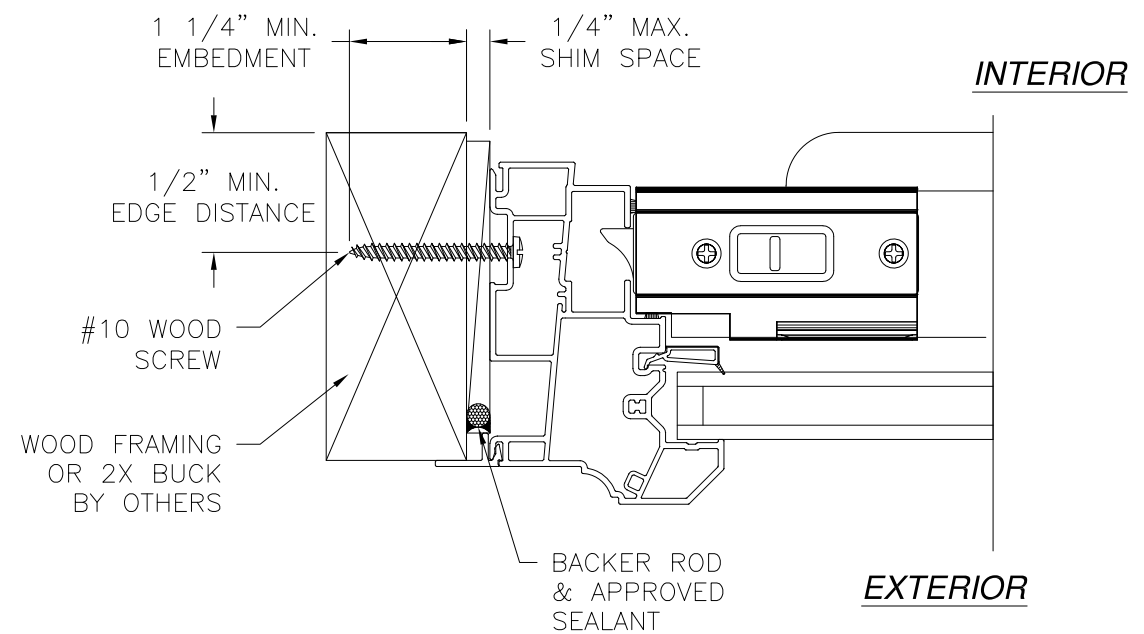
REV	DESCRIPTION	DATE	APPROVED
D	ADDED ORIEL CONFIGURATIONS & RATING	04/28/2021	R.L.



**VERTICAL CROSS SECTION**  
WOOD FRAMING OR 2X BUCK INSTALLATION



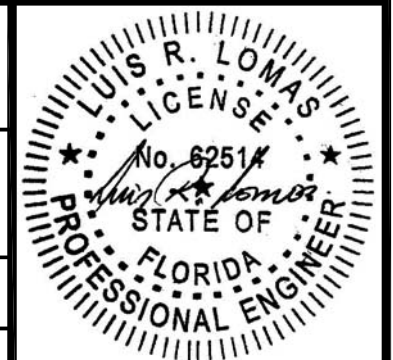
**NOTES:**  
 1. INTERIOR AND EXTERIOR FINISHES, BY OTHERS, NOT SHOWN FOR CLARITY.  
 2. PERIMETER AND JOINT SEALANT BY OTHERS TO BE DESIGNED IN ACCORDANCE WITH ASTM E2112



**JAMB INSTALLATION DETAIL**  
WOOD FRAMING OR 2X BUCK INSTALLATION

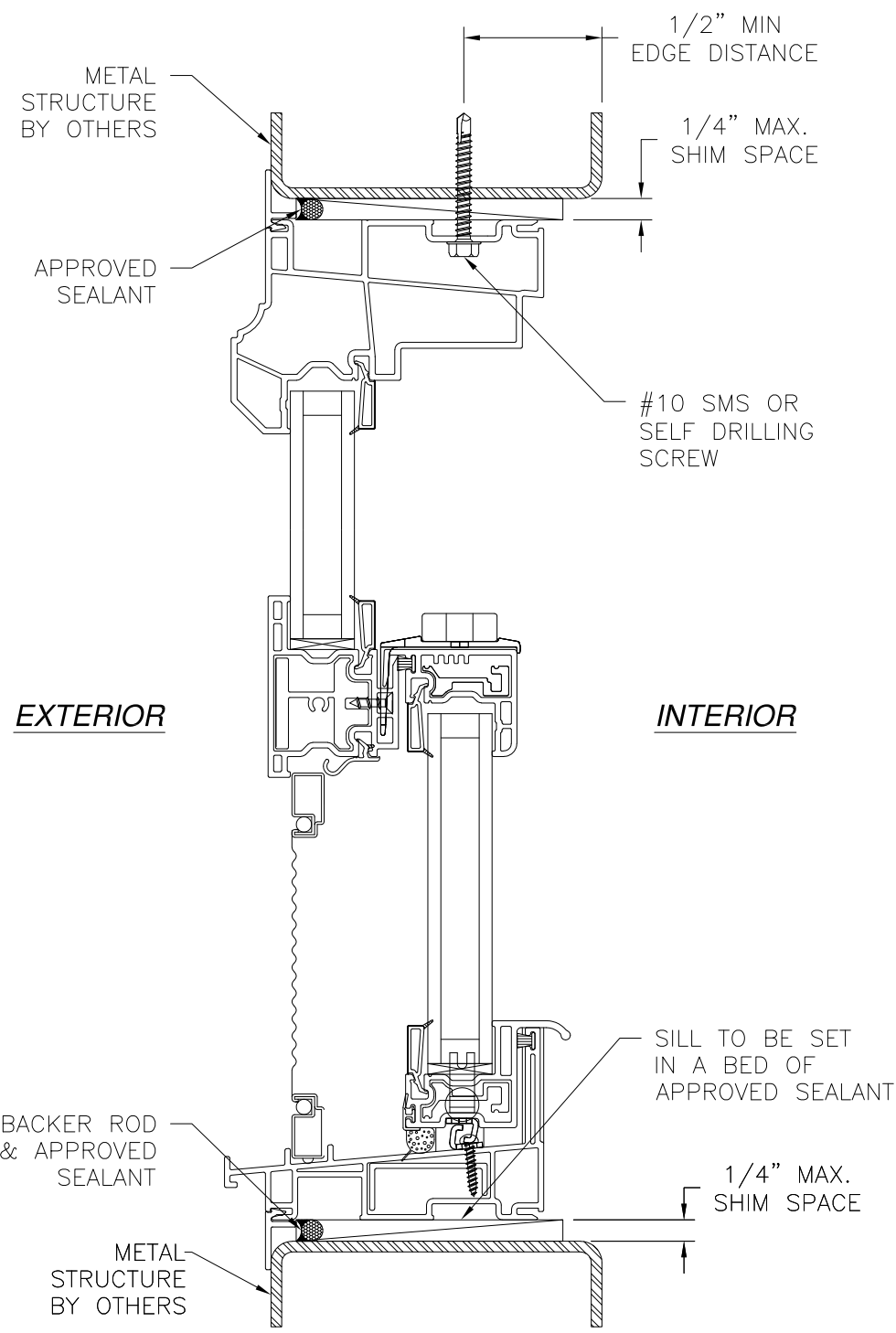
 EASTERN ARCHITECTURAL SYSTEMS A DIVISION OF EASTERN METAL SUPPLY 16341 DOMESTIC AVE FORT MYERS, FLORIDA 33912 800-432-2204		
SERIES 1441 VINYL SINGLE HUNG NON-IMPACT 54" X 72" INSTALLATION DETAILS		
DRAWN: A.M.	DWG NO. 08-00558	REV D
SCALE NTS	DATE 07/29/08	SHEET 3 OF 6
L. ROBERTO LOMAS P.E. 1432 WOODFORD RD LEWISVILLE, NC 27023 434-688-0609 rllomas@rlomaspe.com		

SIGNED: 05/04/2021

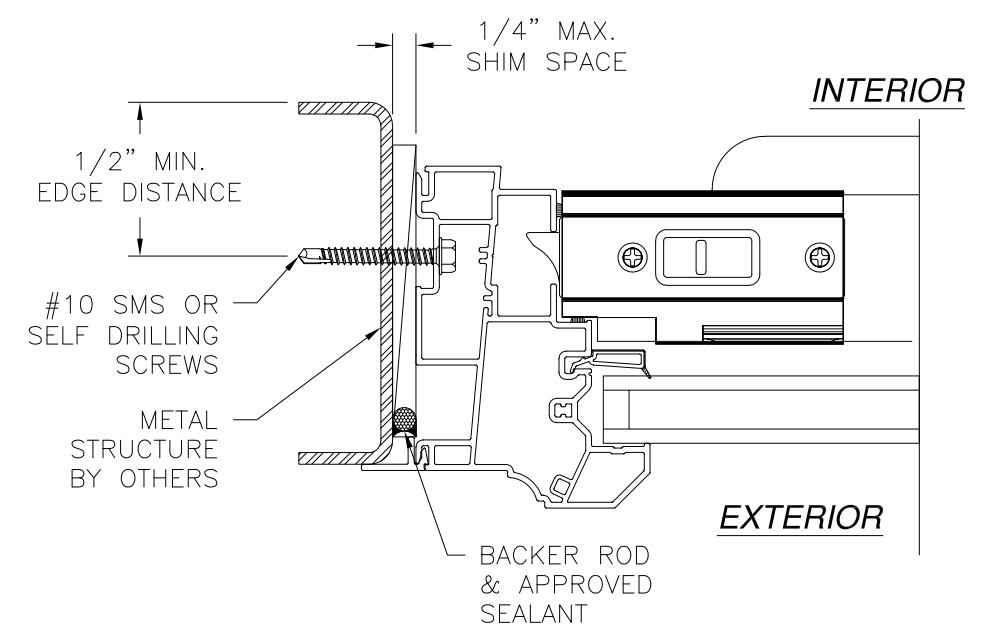


Luis R. Lomas P.E.  
FL No.: 62514

REVISIONS			
REV	DESCRIPTION	DATE	APPROVED
D	ADDED ORIEL CONFIGURATIONS & RATING	04/28/2021	R.L.



**VERTICAL CROSS SECTION**  
METAL STRUCTURE INSTALLATION

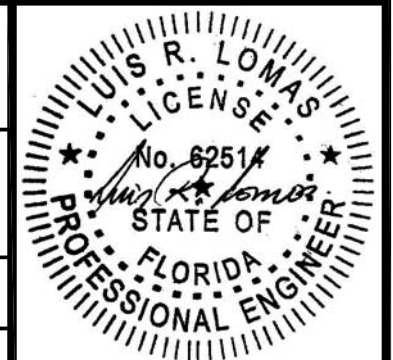


**JAMB INSTALLATION DETAIL**  
METAL STRUCTURE INSTALLATION

- NOTES:**
1. INTERIOR AND EXTERIOR FINISHES, BY OTHERS, NOT SHOWN FOR CLARITY.
  2. PERIMETER AND JOINT SEALANT BY OTHERS TO BE DESIGNED IN ACCORDANCE WITH ASTM E2112

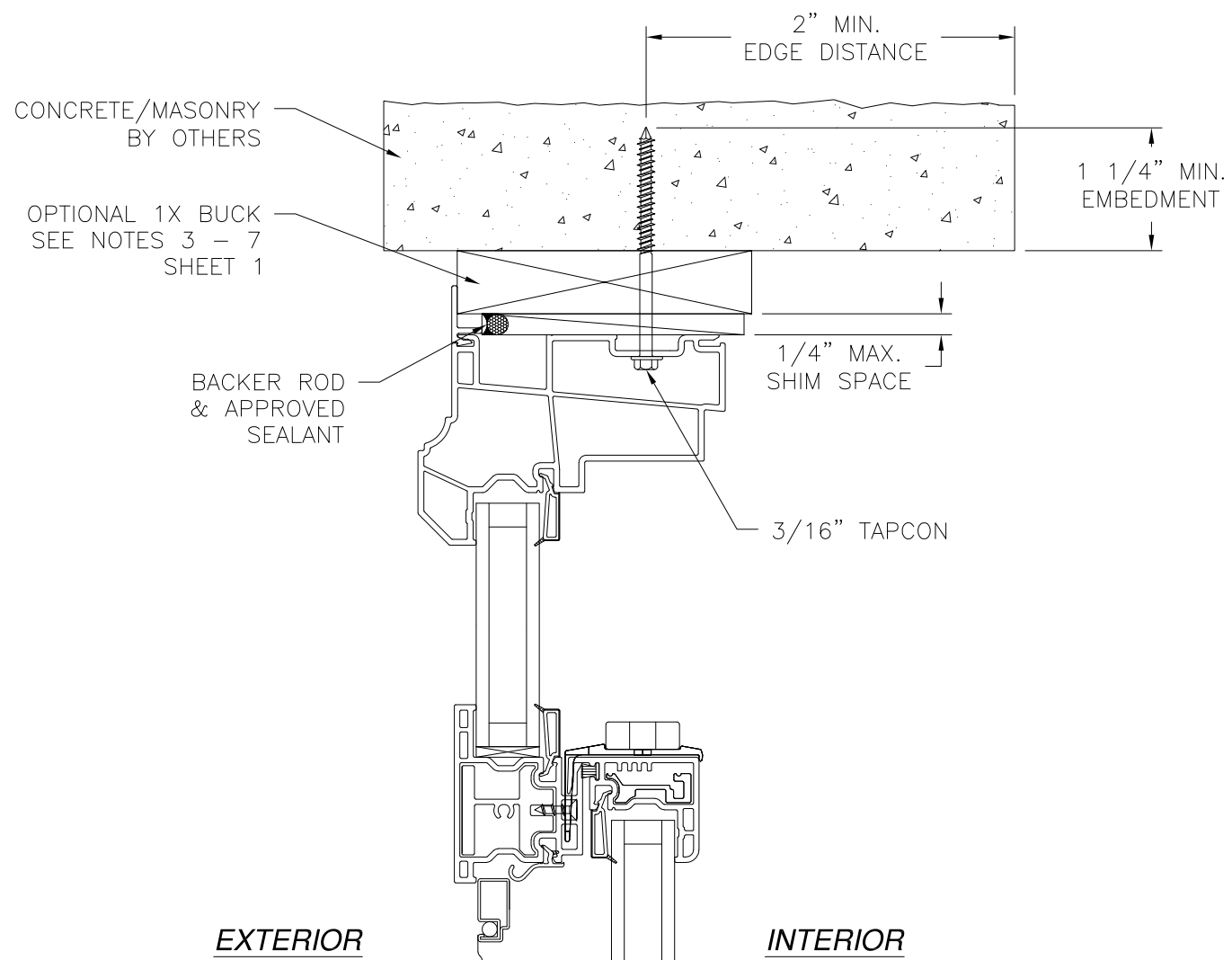
SIGNED: 05/04/2021

		EASTERN ARCHITECTURAL SYSTEMS A DIVISION OF EASTERN METAL SUPPLY 16341 DOMESTIC AVE FORT MYERS, FLORIDA 33912 800-432-2204	
SERIES 1441 VINYL SINGLE HUNG NON-IMPACT 54" X 72" INSTALLATION DETAILS			
DRAWN: A.M.	DWG NO. 08-00558	REV D	
SCALE NTS	DATE 07/29/08	SHEET 4 OF 6	
L. ROBERTO LOMAS P.E. 1432 WOODFORD RD LEWISVILLE, NC 27023 434-688-0609 rllomas@rlomaspe.com			



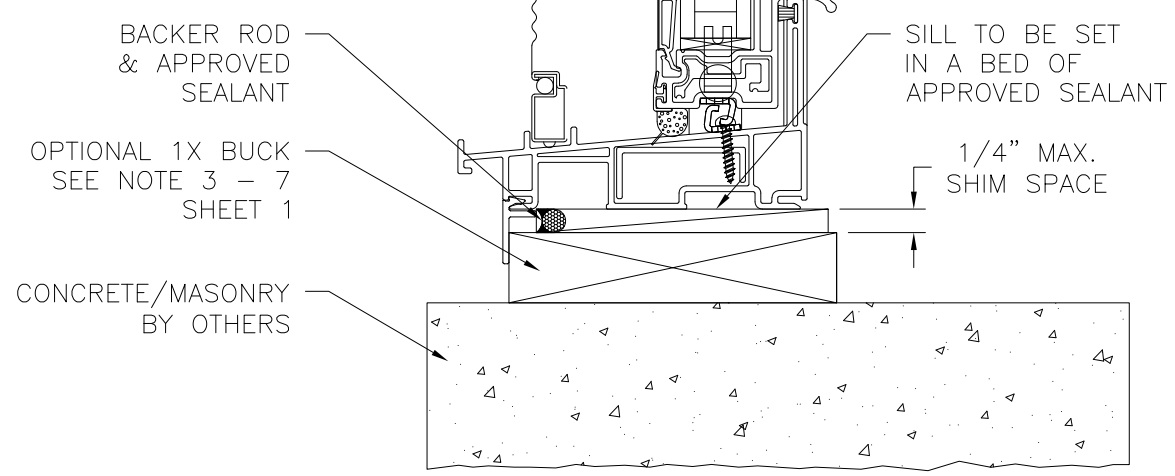
Luis R. Lomas P.E.  
FL No.: 62514

REVISIONS			
REV	DESCRIPTION	DATE	APPROVED
D	ADDED ORIEL CONFIGURATIONS & RATING	04/28/2021	R.L.

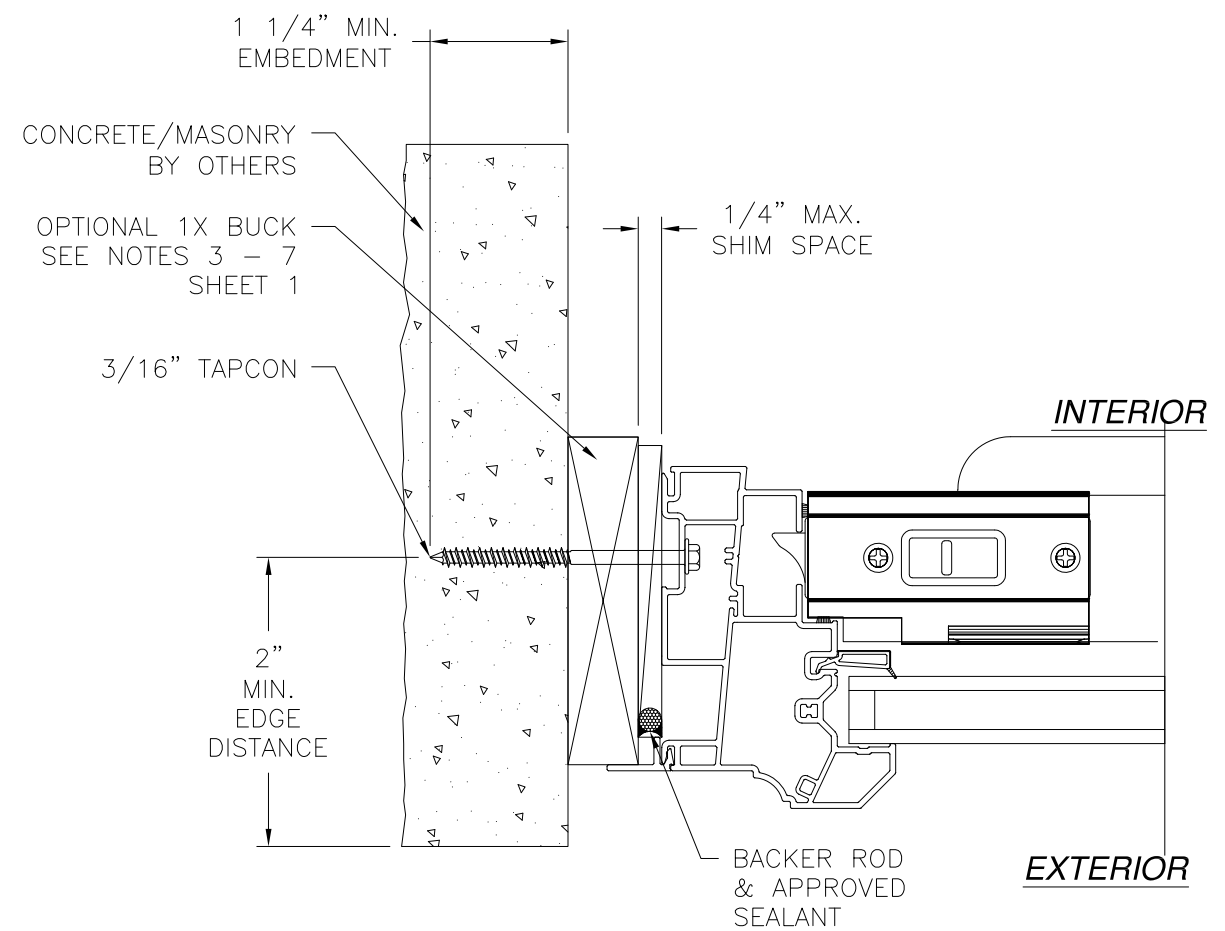


EXTERIOR

INTERIOR



**VERTICAL CROSS SECTION**  
CONCRETE/MASONRY INSTALLATION

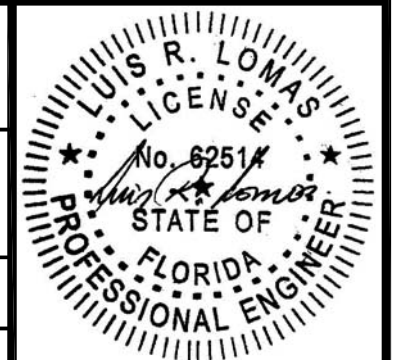


**JAMB INSTALLATION DETAIL**  
CONCRETE/MASONRY INSTALLATION

**NOTES:**  
 1. INTERIOR AND EXTERIOR FINISHES, BY OTHERS, NOT SHOWN FOR CLARITY.  
 2. PERIMETER AND JOINT SEALANT BY OTHERS TO BE DESIGNED IN ACCORDANCE WITH ASTM E2112

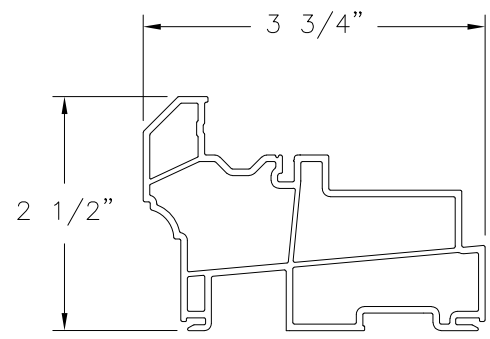
SIGNED: 05/04/2021

		EASTERN ARCHITECTURAL SYSTEMS A DIVISION OF EASTERN METAL SUPPLY 16341 DOMESTIC AVE FORT MYERS, FLORIDA 33912 800-432-2204	
SERIES 1441 VINYL SINGLE HUNG NON-IMPACT 54" X 72" INSTALLATION DETAILS			
DRAWN: A.M.	DWG NO. 08-00558	REV D	
SCALE NTS	DATE 07/29/08	SHEET 5 OF 6	
L. ROBERTO LOMAS P.E. 1432 WOODFORD RD LEWISVILLE, NC 27023 434-688-0609 rllomas@rlomaspe.com			

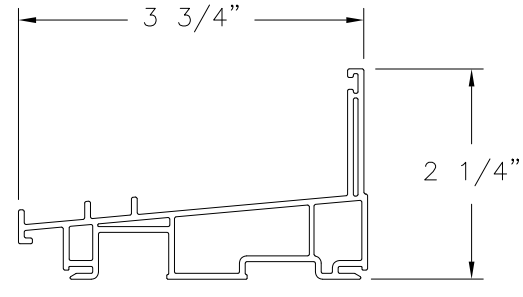


Luis R. Lomas P.E.  
FL No.: 62514

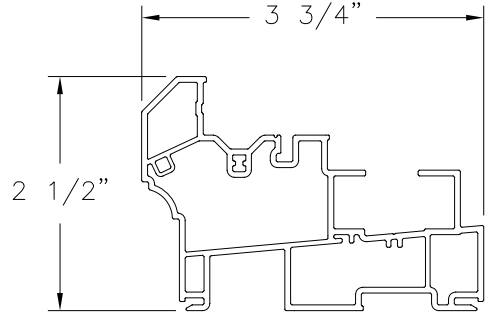
REVISIONS			
REV	DESCRIPTION	DATE	APPROVED
D	ADDED ORIEL CONFIGURATIONS & RATING	04/28/2021	R.L.



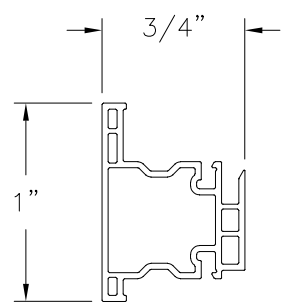
**HEAD FRAME (10008700)**  
VINYL PVC



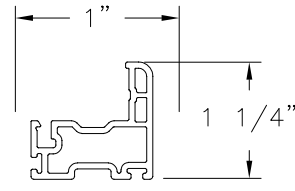
**SILL FRAME (10008692)**  
VINYL PVC



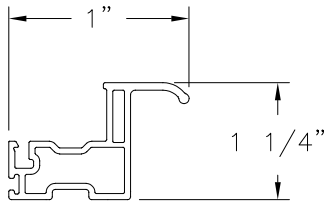
**JAMB FRAME (10008668)**  
VINYL PVC



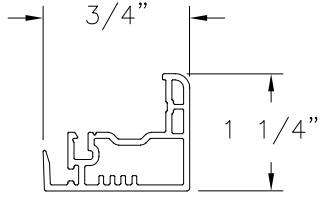
**MEETING RAIL (10008511)**  
VINYL PVC



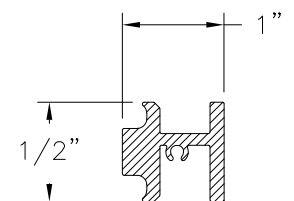
**STILE (10008842)**  
VINYL PVC



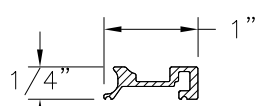
**LIFT RAIL (10008882)**  
VINYL PVC



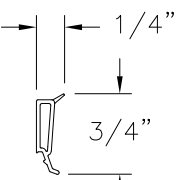
**LOCK RAIL (10008845)**  
VINYL PVC



**REINFORCEMENT (10300084)**  
ALUMINUM 6063-T5



**REINFORCEMENT (10300082)**  
ALUMINUM 6063-T5



**GLAZING BEAD (10005470)**  
VINYL PVC

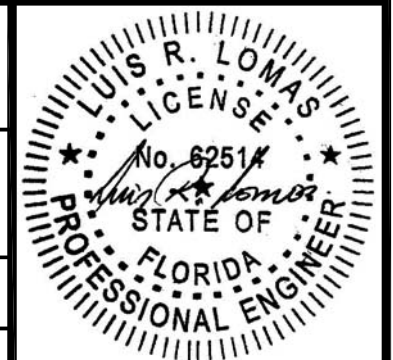
**Eastern** ARCHITECTURAL SYSTEMS  
ALUMINUM AND VINYL IMPACT WINDOWS AND DOORS  
EASTERN ARCHITECTURAL SYSTEMS  
A DIVISION OF  
EASTERN METAL SUPPLY  
16341 DOMESTIC AVE  
FORT MYERS, FLORIDA 33912  
800-432-2204

SERIES 1441 VINYL SINGLE HUNG  
NON-IMPACT 54" X 72"  
COMPONENTS

DRAWN: A.M.	DWG NO. 08-00558	REV D
SCALE NTS	DATE 07/29/08	SHEET 6 OF 6

L. ROBERTO LOMAS P.E.  
1432 WOODFORD RD LEWISVILLE, NC 27023  
434-688-0609 rllomas@rlomaspe.com

SIGNED: 05/04/2021



Luis R. Lomas P.E.  
FL No.: 62514