

REVISIONS			
REV	DESCRIPTION	DATE	APPROVED
A	ADDED ORIEL CONFIGURATIONS & RATING	04/29/2021	R.L.

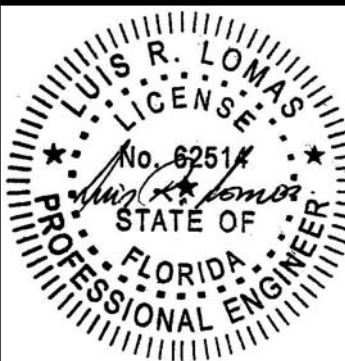
NOTES:

1. THE PRODUCT SHOWN HEREIN IS DESIGNED AND MANUFACTURED TO COMPLY WITH REQUIREMENTS OF THE FLORIDA BUILDING CODE.
2. WOOD FRAMING AND MASONRY OPENING TO BE DESIGNED AND ANCHORED TO PROPERLY TRANSFER ALL LOADS TO STRUCTURE. FRAMING AND MASONRY OPENING IS THE RESPONSIBILITY OF THE ARCHITECT OR ENGINEER OF RECORD.
3. SHIM AS REQUIRED WITH LOAD BEARING SHIM. SHIM WHERE SPACE OF 1/16" OR GREATER OCCURS. MAXIMUM ALLOWABLE SHIM STACK TO BE 1/4".
4. SHIMS SHALL BE LOCATED, APPLIED AND MADE FROM MATERIALS AND THICKNESS CAPABLE OF SUSTAINING APPLICABLE LOADS.
5. WIND LOAD DURATION FACTOR Cd=1.6 WAS USED FOR WOOD ANCHOR CALCULATIONS.
6. FRAME MATERIAL: EXTRUDED RIGID PVC.
7. UNITS MUST BE GLAZED PER ASTM E1300, SEE SHEET 4 FOR GLASS DETAILS.
8. APPROVED IMPACT PROTECTIVE SYSTEM IS NOT REQUIRED FOR THIS PRODUCT IN WIND BORNE DEBRIS REGIONS.
9. FOR ANCHORING THROUGH FIN INTO WOOD FRAMING OR 2X BUCK USE #8 WOOD SCREWS WITH SUFFICIENT LENGTH TO ACHIEVE A 1 1/4" MINIMUM EMBEDMENT INTO SUBSTRATE. LOCATE ANCHORS AS SHOWN IN ELEVATIONS AND INSTALLATION DETAILS.
10. ALL FASTENERS TO BE CORROSION RESISTANT.
11. INSTALLATION ANCHORS SHALL BE INSTALLED IN ACCORDANCE WITH ANCHOR MANUFACTURER'S INSTALLATION INSTRUCTIONS AND ANCHORS SHALL NOT BE USED IN SUBSTRATES WITH STRENGTHS LESS THAN THE MINIMUM STRENGTH SPECIFIED BELOW:
A. WOOD - MINIMUM SPECIFIC GRAVITY OF G=0.42

SIGNED: 05/10/2021

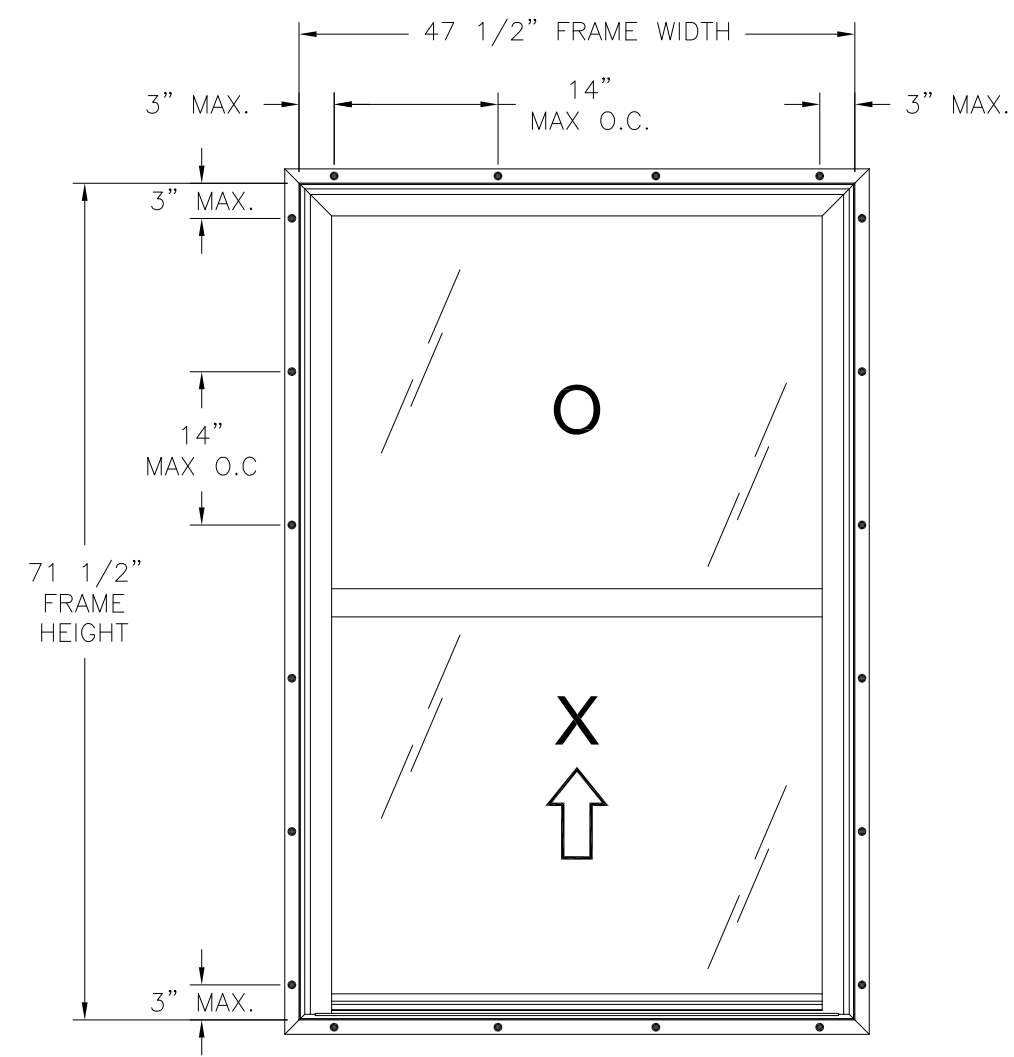
TABLE OF CONTENTS	
SHEET NO.	DESCRIPTION
1	NOTES
2	ELEVATIONS
3	INSTALLATION DETAILS
4	COMPONENTS

		EASTERN ARCHITECTURAL SYSTEMS A DIVISION OF EASTERN METAL SUPPLY 16341 DOMESTIC AVE FORT MYERS, FL 33912 800-432-2204	
SERIES 2451 VINYL FIN FRAME IMPACT SINGLE HUNG WINDOW - 48" X 72" NOTES			
DRAWN: N.G.		DWG NO. 08-02914	
SCALE NTS		DATE 05/25/16	REV A
		SHEET 1 OF 4	
L. ROBERTO LOMAS P.E. 1432 WOODFORD RD LEWISVILLE, NC 27023 434-688-0609 rllomas@rlomaspe.com			

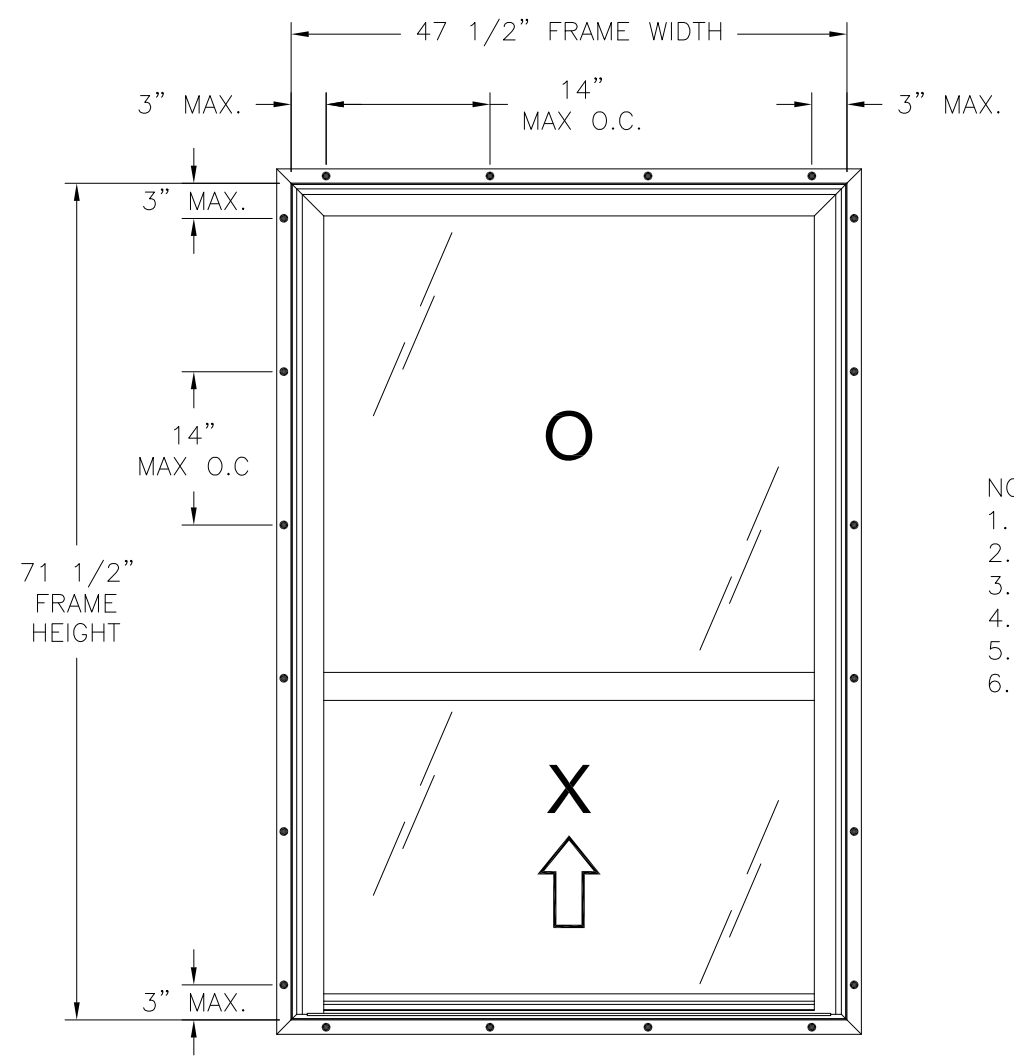


Luis R. Lomas P.E.
FL No.: 62514

REVISIONS			
REV	DESCRIPTION	DATE	APPROVED
A	ADDED ORIEL CONFIGURATIONS & RATING	04/29/2021	R.L.



SERIES 2451 VINYL SINGLE HUNG EQUAL WINDOW
EXTERIOR VIEW



SERIES 2451 VINYL SINGLE HUNG EQUAL WINDOW
EXTERIOR VIEW

- NOTES:
1. EQUAL SASH SIZE: 44 5/16" X 34 7/8"
 2. EQUAL UNIT D.L.O.: 41 13/16" X 32 3/8"
 3. ORIEL SASH SIZE: 44 5/16" X 28 1/2"
 4. ORIEL SASH D.L.O.: 41 13/16" X 26"
 5. ORIEL FIXED D.L.O.: 41 13/16" X 40 1/2"
 6. (2) 1" X 1/8" WEEP SLOTS AT 3 1/2" FROM EACH CORNER OF JAMB AND SILL.

DESIGN PRESSURE RATING	IMPACT RATING
±50.0PSF	LARGE AND SMALL MISSILE IMPACT

HARDWARE SCHEDULE	
A.	(2) FS-550 SPRING LOADED BALANCE SYSTEM AT EACH JAMB
B.	(2) METAL TILT LATCH SPRING LOADED AT 1 1/2" FROM EACH SASH TOP RAIL
C.	(2) ALUMINUM IMPACT CLIP REINFORCEMENT AT 1 1/2" FROM EACH SASH TOP RAIL
D.	(2) CAST ALUMINUM CAM LOCKS AT 10" FROM EACH JAMB ON SASH TOP RAIL
E.	(2) METALLIC SILL INTERLOCKS AT FRAME SILL, 15" FROM EACH SILL CORNER
F.	EXTRUDED ALUMINUM REINFORCEMENT AT FIXED MEETING RAIL
G.	EXTRUDED ALUMINUM REINFORCEMENT AT SASH STILES AND RAILS



Eastern
ARCHITECTURAL SYSTEMS
ALUMINUM AND VINYL
IMPACT WINDOWS AND DOORS

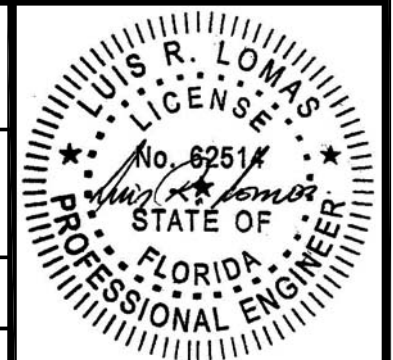
EASTERN ARCHITECTURAL SYSTEMS
A DIVISION OF
EASTERN METAL SUPPLY
16341 DOMESTIC AVE
FORT MYERS, FL 33912
800-432-2204

SERIES 2451 VINYL FIN FRAME IMPACT
SINGLE HUNG WINDOW - 48" X 72"
ELEVATIONS

DRAWN: N.G.	DWG NO. 08-02914	REV A
SCALE NTS	DATE 05/25/16	SHEET 2 OF 4

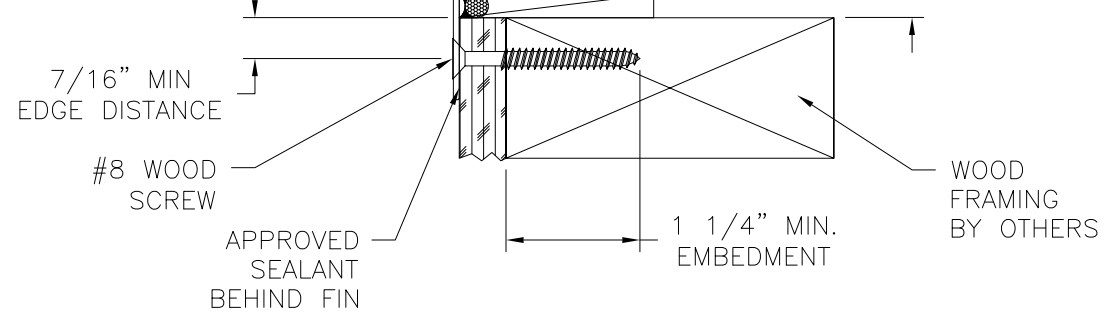
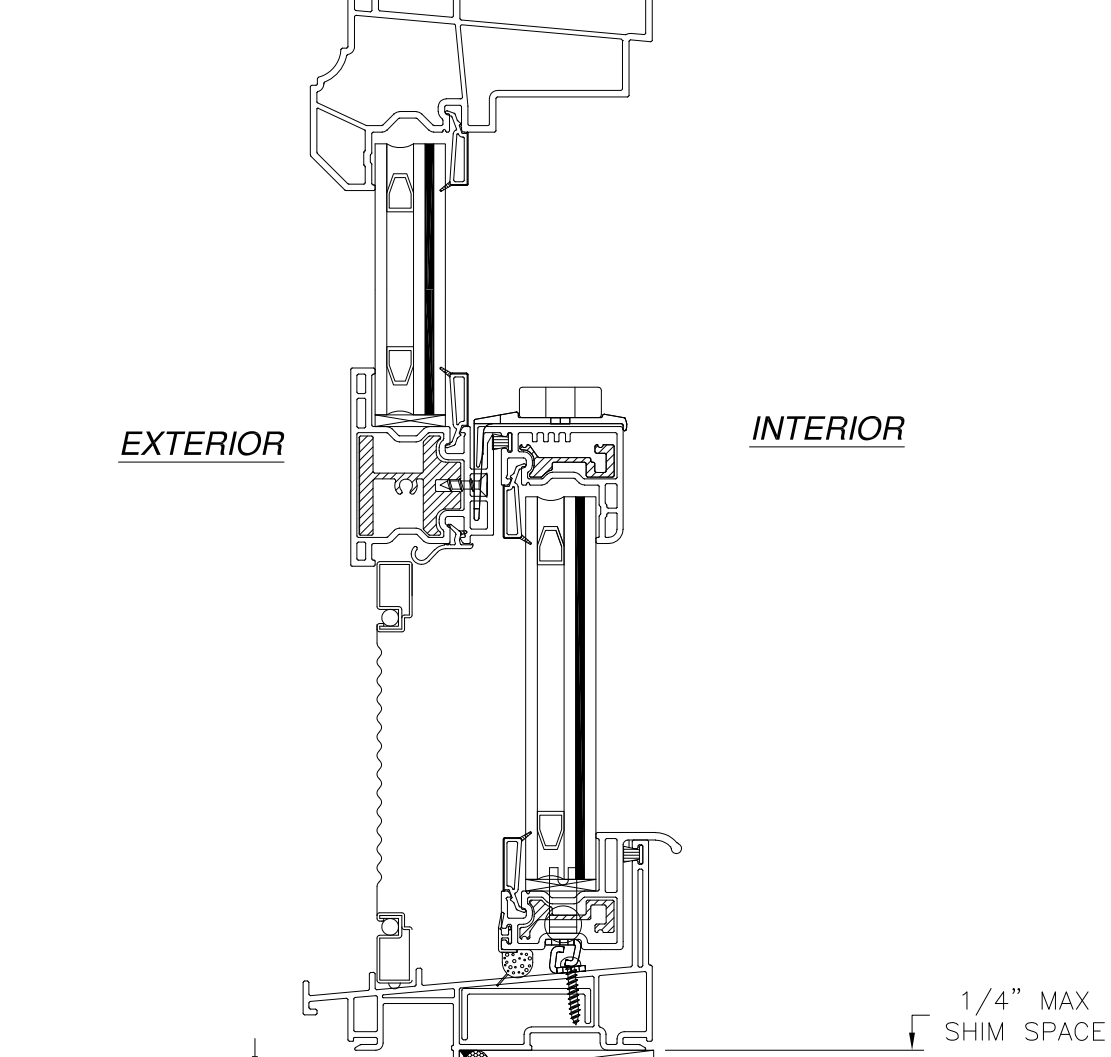
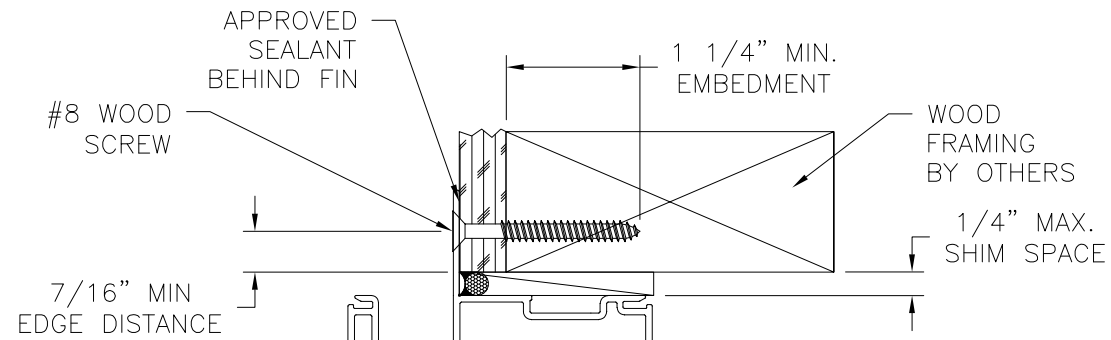
L. ROBERTO LOMAS P.E.
1432 WOODFORD RD LEWISVILLE, NC 27023
434-688-0609 rllomas@rlomaspe.com

SIGNED: 05/10/2021

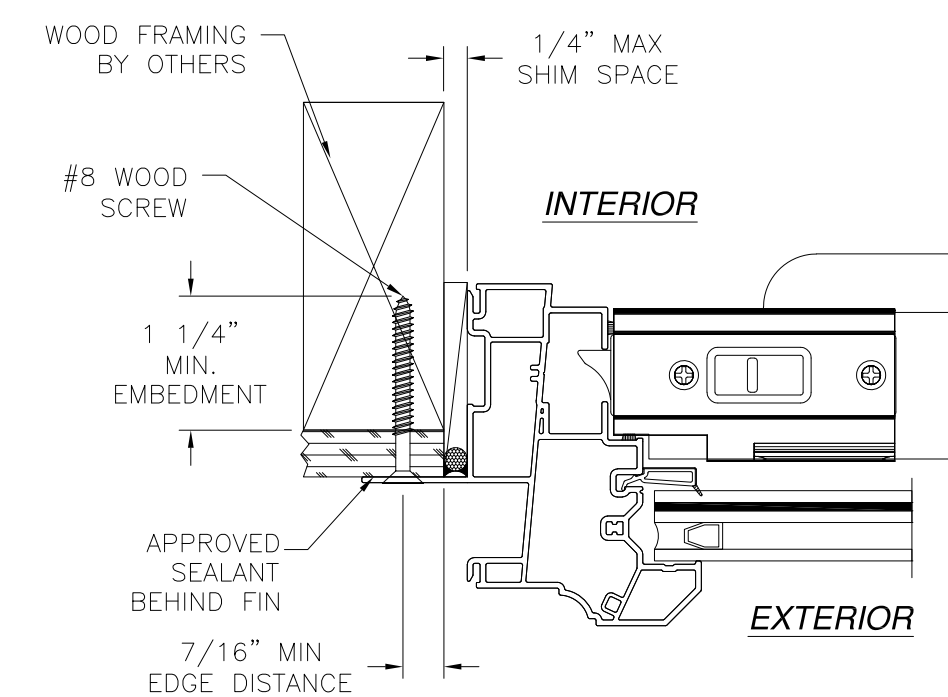


Luis R. Lomas P.E.
FL No.: 62514

REVISIONS			
REV	DESCRIPTION	DATE	APPROVED
A	ADDED ORIEL CONFIGURATIONS & RATING	04/29/2021	R.L.



VERTICAL CROSS SECTION
WOOD FRAMING OR 2X BUCK INSTALLATION

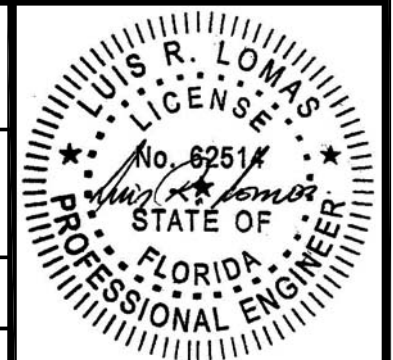


JAMB INSTALLATION DETAIL
WOOD FRAMING OR 2X BUCK INSTALLATION

- NOTES:**
1. INTERIOR AND EXTERIOR FINISHES, BY OTHERS, NOT SHOWN FOR CLARITY.
 2. PERIMETER AND JOINT SEALANT BY OTHERS TO BE DESIGNED IN ACCORDANCE WITH ASTM E2112

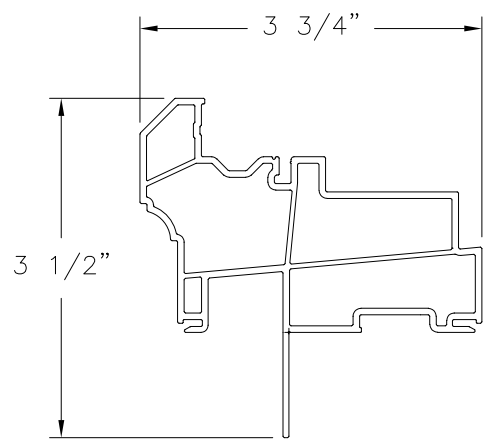
SIGNED: 05/10/2021

		EASTERN ARCHITECTURAL SYSTEMS A DIVISION OF EASTERN METAL SUPPLY 16341 DOMESTIC AVE FORT MYERS, FL 33912 800-432-2204	
SERIES 2451 VINYL FIN FRAME IMPACT SINGLE HUNG WINDOW - 48" X 72" INSTALLATION DETAILS			
DRAWN: N.G.	DWG NO. 08-02914	REV A	
SCALE NTS	DATE 05/25/16	SHEET 3 OF 4	
L. ROBERTO LOMAS P.E. 1432 WOODFORD RD LEWISVILLE, NC 27023 434-688-0609 rllomas@rlomaspe.com			

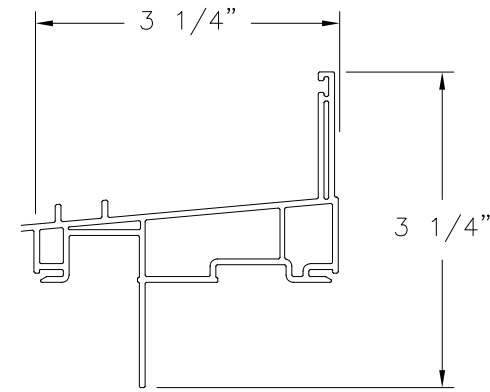


Luis R. Lomas P.E.
FL No.: 62514

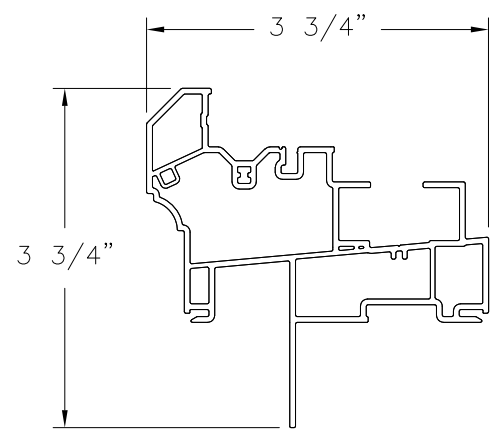
REVISIONS			
REV	DESCRIPTION	DATE	APPROVED
A	ADDED ORIEL CONFIGURATIONS & RATING	04/29/2021	R.L.



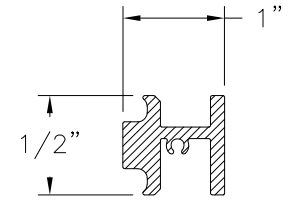
HEAD FRAME, FIN (10008687)
VINYL PVC



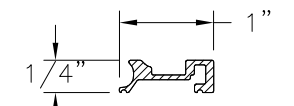
SILL FRAME, FIN (10008672)
VINYL PVC



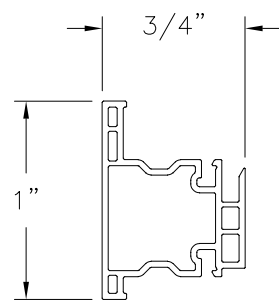
JAMB FRAME, FIN (10008686)
VINYL PVC



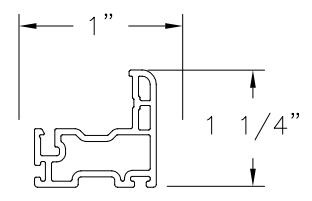
REINFORCEMENT (10300084)
ALUMINUM 6063-T5



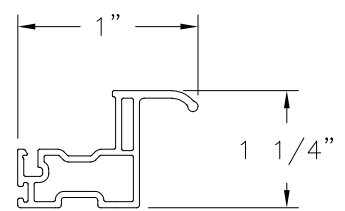
REINFORCEMENT (10300082)
ALUMINUM 6063-T5



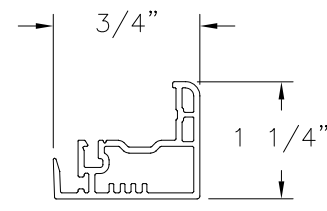
MEETING RAIL (10008511)
VINYL PVC



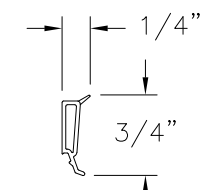
STILE (10008842)
VINYL PVC



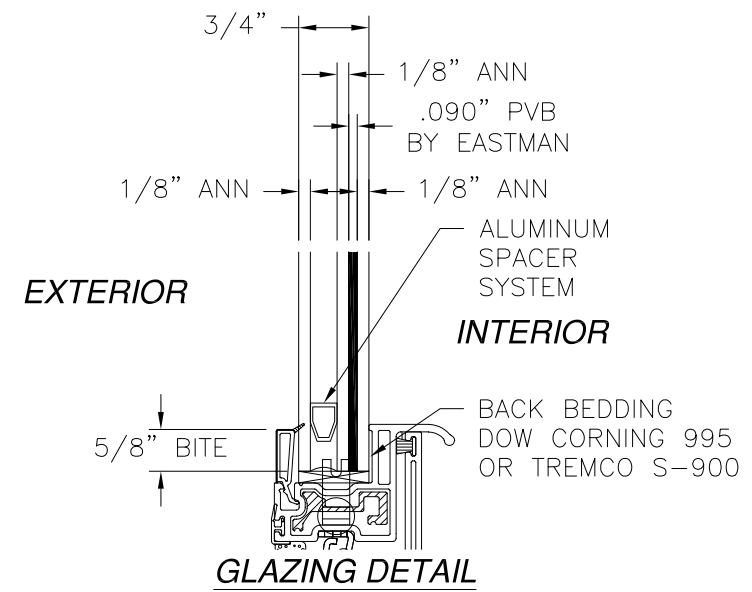
LIFT RAIL (10008882)
VINYL PVC



LOCK RAIL (10008845)
VINYL PVC



GLAZING BEAD (10005470)
VINYL PVC



GLAZING DETAIL

Eastern
ARCHITECTURAL SYSTEMS
ALUMINUM AND VINYL
IMPACT WINDOWS AND DOORS

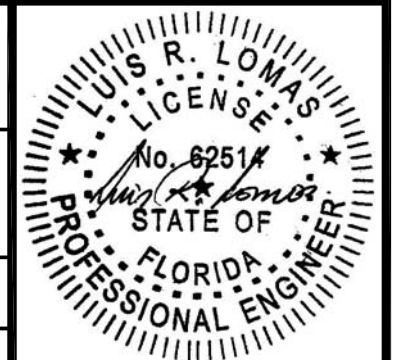
EASTERN ARCHITECTURAL SYSTEMS
A DIVISION OF
EASTERN METAL SUPPLY
16341 DOMESTIC AVE
FORT MYERS, FL 33912
800-432-2204

**SERIES 2451 VINYL FIN FRAME IMPACT
SINGLE HUNG WINDOW - 48" X 72"
COMPONENTS AND GLAZING DETAIL**

DRAWN: N.G.	DWG NO. 08-02914	REV A
SCALE NTS	DATE 05/25/16	SHEET 4 OF 4

L. ROBERTO LOMAS P.E.
 1432 WOODFORD RD LEWISVILLE, NC 27023
 434-688-0609 rllomas@rlomaspe.com

SIGNED: 05/10/2021



Luis R. Lomas P.E.
FL No.: 62514