

REVISIONS			
REV	DESCRIPTION	DATE	APPROVED
A	REVISED INSTALLATION DETAILS	06/22/15	R.L.


NOTES:

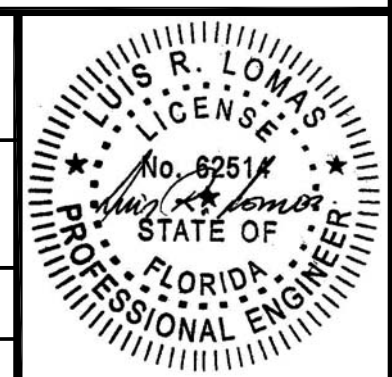
1. THE PRODUCT SHOWN HEREIN IS DESIGNED AND MANUFACTURED TO COMPLY WITH REQUIREMENTS OF THE FLORIDA BUILDING CODE
2. WOOD FRAMING AND MASONRY OPENING TO BE DESIGNED AND ANCHORED TO PROPERLY TRANSFER ALL LOADS TO STRUCTURE. FRAMING AND MASONRY OPENING IS THE RESPONSIBILITY OF THE ARCHITECT OR ENGINEER OF RECORD.
3. 1X BUCK OVER MASONRY/CONCRETE IS OPTIONAL. WHERE 1X BUCK IS NOT USED DISSIMILAR MATERIALS MUST BE SEPARATED WITH APPROVED COATING OR MEMBRANE. SELECTION OF COATING OR MEMBRANE IS THE RESPONSIBILITY OF THE ARCHITECT OR ENGINEER OF RECORD.
4. ALLOWABLE STRESS INCREASE OF 1/3 WAS NOT USED IN THE DESIGN OF THE PRODUCT SHOWN HEREIN. WIND LOAD DURATION FACTOR Cd=1.6 WAS USED FOR WOOD ANCHOR CALCULATIONS.
5. FRAME MATERIAL: EXTRUDED RIGID PVC.
6. UNITS MUST BE GLAZED PER ASTM E1300-04, WITH SAFETY GLASS DETAILS.
7. APPROVED IMPACT PROTECTIVE SYSTEM IS REQUIRED FOR THIS PRODUCT IN WIND BORNE DEBRIS REGIONS.
8. SHIM AS REQUIRED AT EACH INSTALLATION ANCHOR WITH LOAD BEARING SHIM. SHIM WHERE SPACE OF 1/16" OR GREATER OCCURS. MAXIMUM ALLOWABLE SHIM STACK TO BE 1/4".
9. FOR NAILING FIN INSTALLATION INTO WOOD FRAMING OR 2X BUCK USE #8 WOOD SCREWS OR EQUIVALENT WITH SUFFICIENT LENGTH TO ACHIEVE A 1 1/2" MINIMUM EMBEDMENT INTO SUBSTRATE. LOCATE ANCHORS AS SHOWN IN ELEVATIONS AND INSTALLATION DETAILS.
10. FOR FRAME INSTALLATION INTO WOOD FRAMING OR 2X BUCK USE #12 WOOD SCREWS OR EQUIVALENT WITH SUFFICIENT LENGTH TO ACHIEVE A 1 5/8" MINIMUM EMBEDMENT INTO SUBSTRATE. LOCATE ANCHORS AS SHOWN IN ELEVATIONS AND INSTALLATION DETAILS.
11. FOR FRAME INSTALLATION INTO MASONRY/CONCRETE USE 1/4" TAPCONS OR EQUIVALENT WITH SUFFICIENT LENGTH TO ACHIEVE A 1 1/4" MINIMUM EMBEDMENT INTO SUBSTRATE WITH 2 1/2" MINIMUM EDGE DISTANCE. LOCATE ANCHORS AS SHOWN IN ELEVATIONS AND INSTALLATION DETAILS.
12. FOR FRAME INSTALLATION INTO METAL STRUCTURE USE #12 SMS OR SELF DRILLING SCREWS WITH SUFFICIENT LENGTH TO ACHIEVE 3 THREADS MINIMUM BEYOND STRUCTURE INTERIOR WALL. LOCATE ANCHORS AS SHOWN IN ELEVATIONS AND INSTALLATION DETAILS.
13. ALL FASTENERS TO BE CORROSION RESISTANT.

14. INSTALLATION ANCHORS SHALL BE INSTALLED IN ACCORDANCE WITH ANCHOR MANUFACTURER'S INSTALLATION INSTRUCTIONS AND ANCHORS SHALL NOT BE USED IN SUBSTRATES WITH STRENGTHS LESS THAN THE MINIMUM STRENGTH SPECIFIED BELOW:
 - A. WOOD – MINIMUM SPECIFIC GRAVITY OF G=0.42
 - B. CONCRETE – MINIMUM COMPRESSIVE STRENGTH OF 3,192 PSI.
 - C. MASONRY – STRENGTH CONFORMANCE TO ASTM C-90, GRADE N, TYPE 1 (OR GREATER).
 - D. METAL STRUCTURE: STEEL 18GA, 33KSI OR ALUMINUM 6063-T5 1/8" THICK MINIMUM
15. APPROVED CONFIGURATIONS: OX, XO, OXO, OXXO

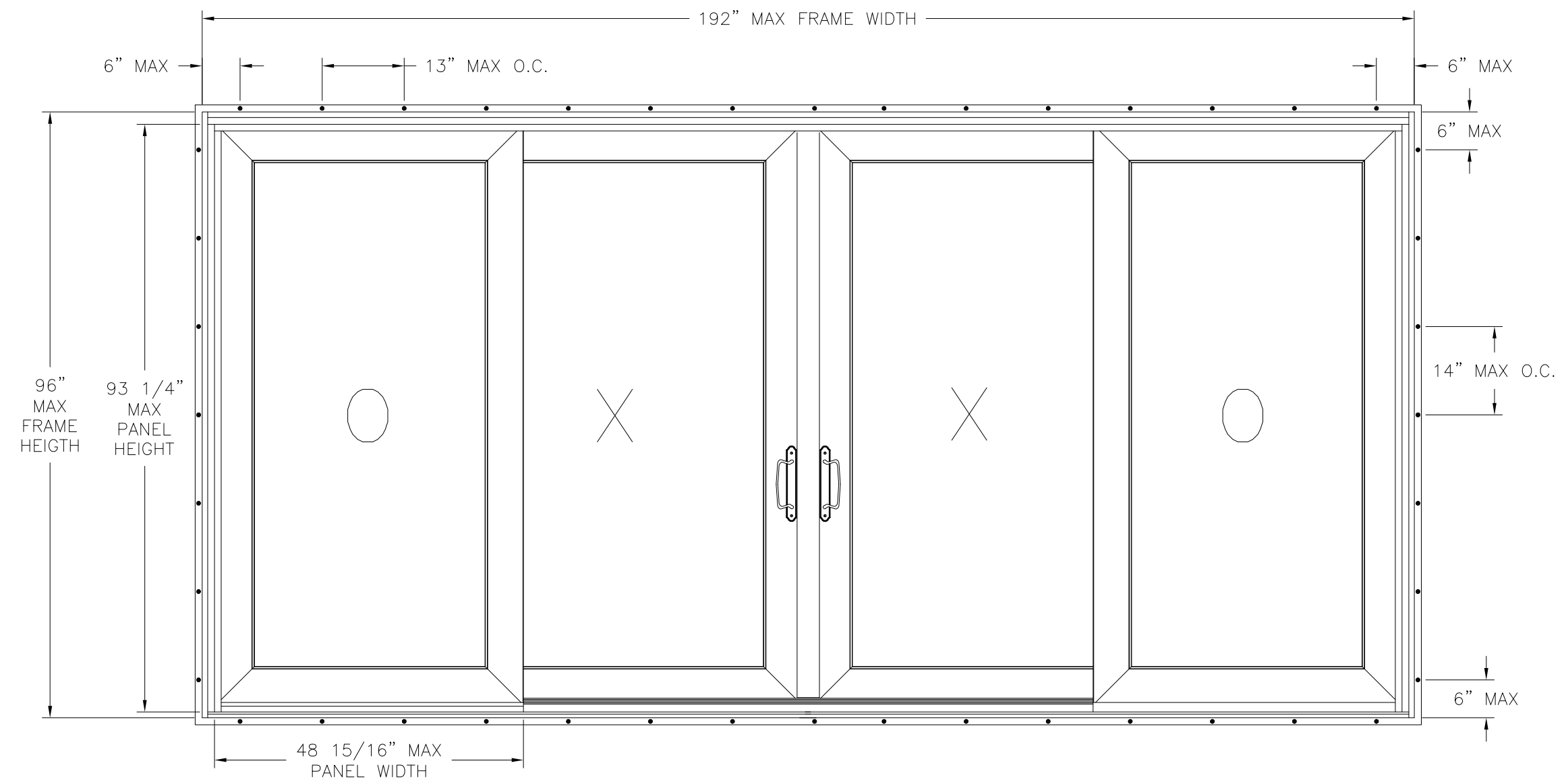
SIGNED: 06/23/2015

TABLE OF CONTENTS	
SHEET NO.	DESCRIPTION
1	NOTES
2	NAIL FIN ELEVATION
3	FLANGE ELEVATION
4 – 6	INSTALLATION DETAILS

		EASTERN ARCHITECTURAL SYSTEMS A DIVISION OF EASTERN METAL SUPPLY 16341 DOMESTIC AVE FORT MYERS, FLORIDA 33912 800-432-2204	
SERIES 623 VINYL SLIDING GLASS DOOR 192" x 96" NON-IMPACT NOTES			
DRAWN: R.L.		DWG NO. 08-01672	
SCALE NTS		DATE 07/13/12	REV A
SHEET 1 OF 6			



REVISIONS			
REV	DESCRIPTION	DATE	APPROVED
A	REVISED INSTALLATION DETAILS	06/22/15	R.L.



SERIES 623 VINYL SGD
EXTERIOR VIEW NAIL FIN INSTALLATION

DESIGN PRESSURE RATING	IMPACT RATING
±50PSF	NONE

SIGNED: 06/23/2015

Eastern
ARCHITECTURAL SYSTEMS
ALUMINUM AND VINYL
IMPACT WINDOWS AND DOORS

EASTERN ARCHITECTURAL SYSTEMS
A DIVISION OF
EASTERN METAL SUPPLY
16341 DOMESTIC AVE
FORT MYERS, FLORIDA 33912
800-432-2204

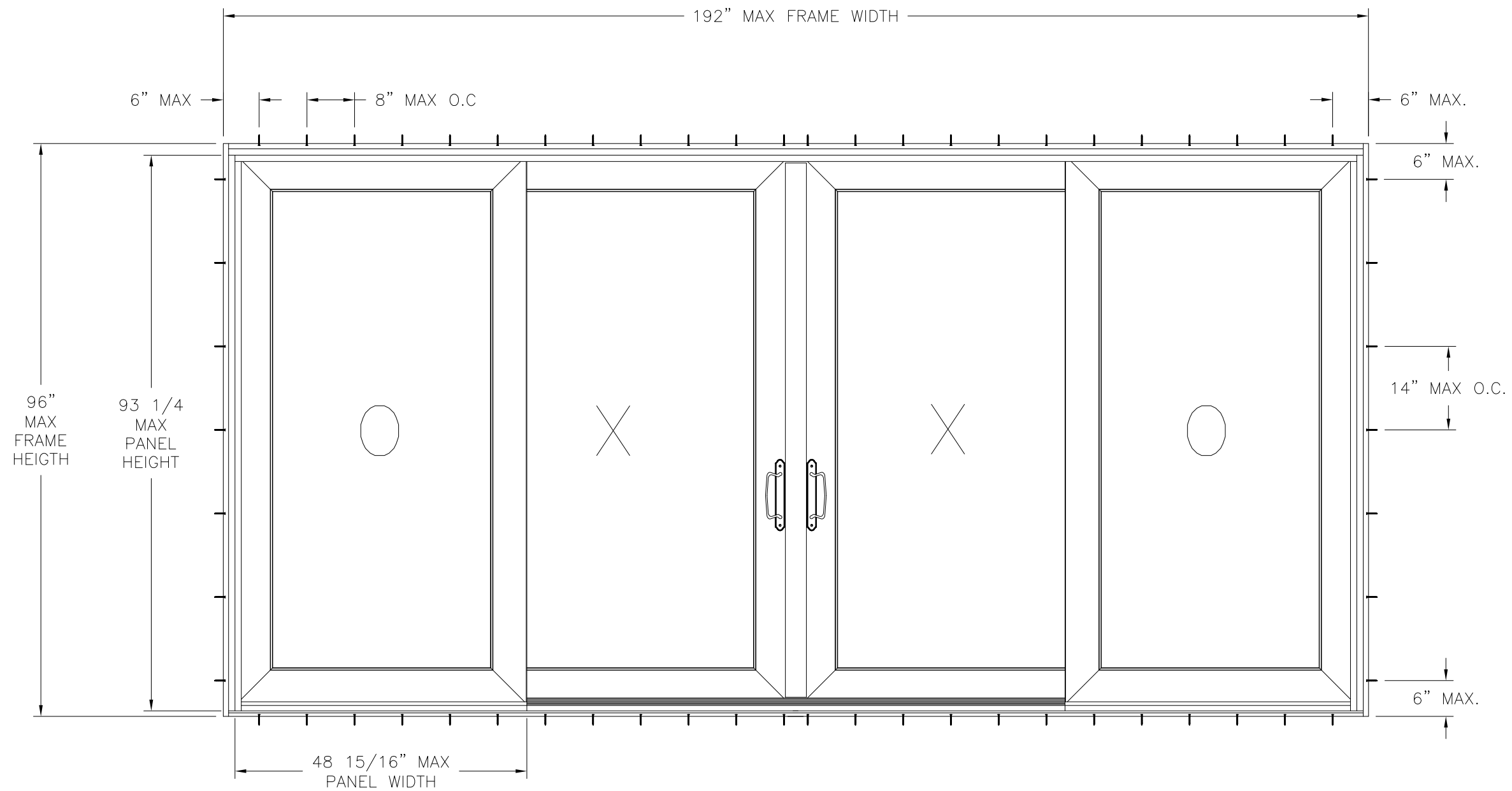
SERIES 623 VINYL SLIDING GLASS DOOR
192" x 96" NON-IMPACT
NAIL FIN ELEVATION



DRAWN: R.L.	DWG NO. 08-01672	REV A
----------------	---------------------	----------

SCALE NTS	DATE 07/13/12	SHEET 2 OF 6
-----------	---------------	--------------


REVISIONS			
REV	DESCRIPTION	DATE	APPROVED
A	REVISED INSTALLATION DETAILS	06/22/15	R.L.

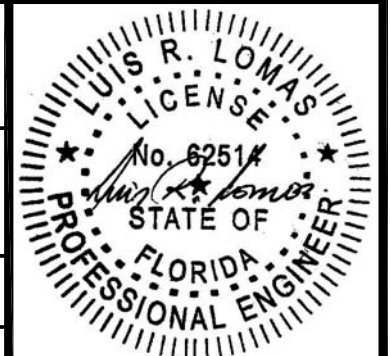


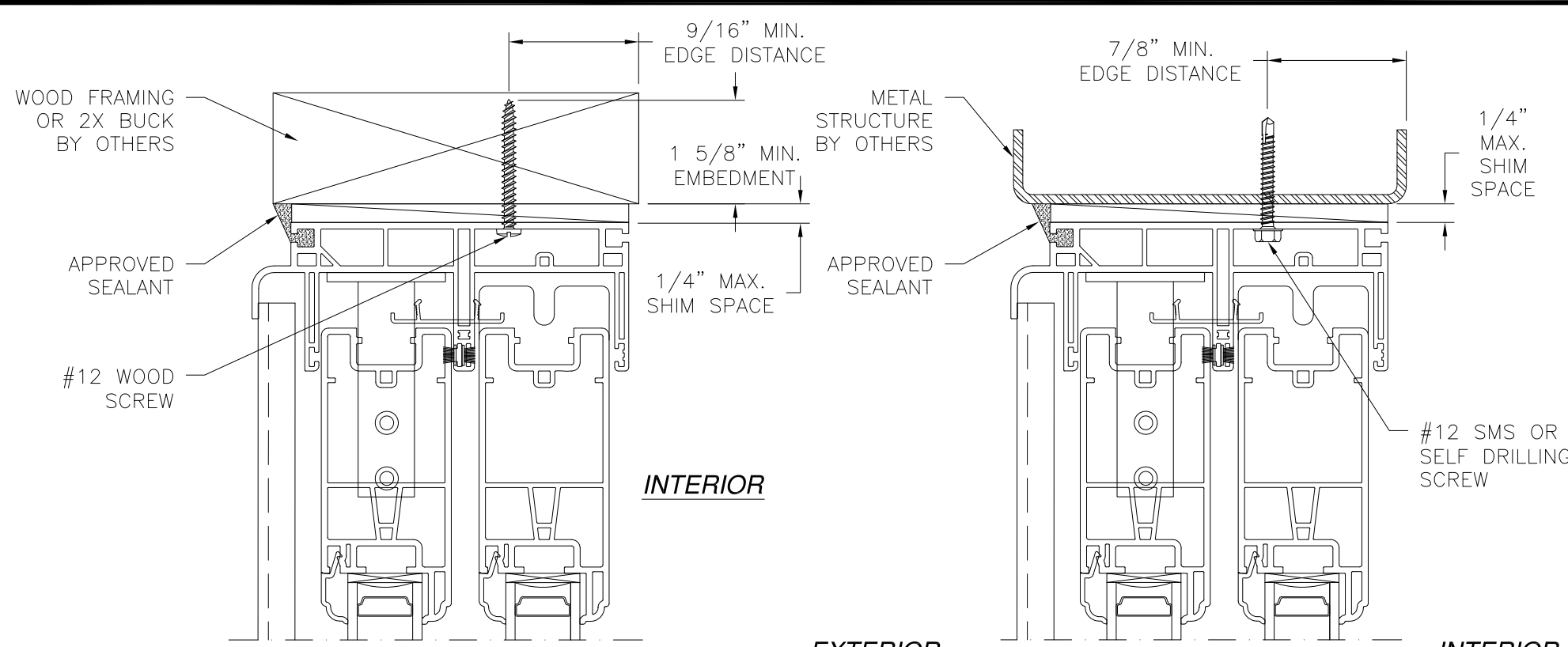
SERIES 623 VINYL SGD
EXTERIOR VIEW FLANGE INSTALLATION

DESIGN PRESSURE RATING	IMPACT RATING
±50PSF	NONE

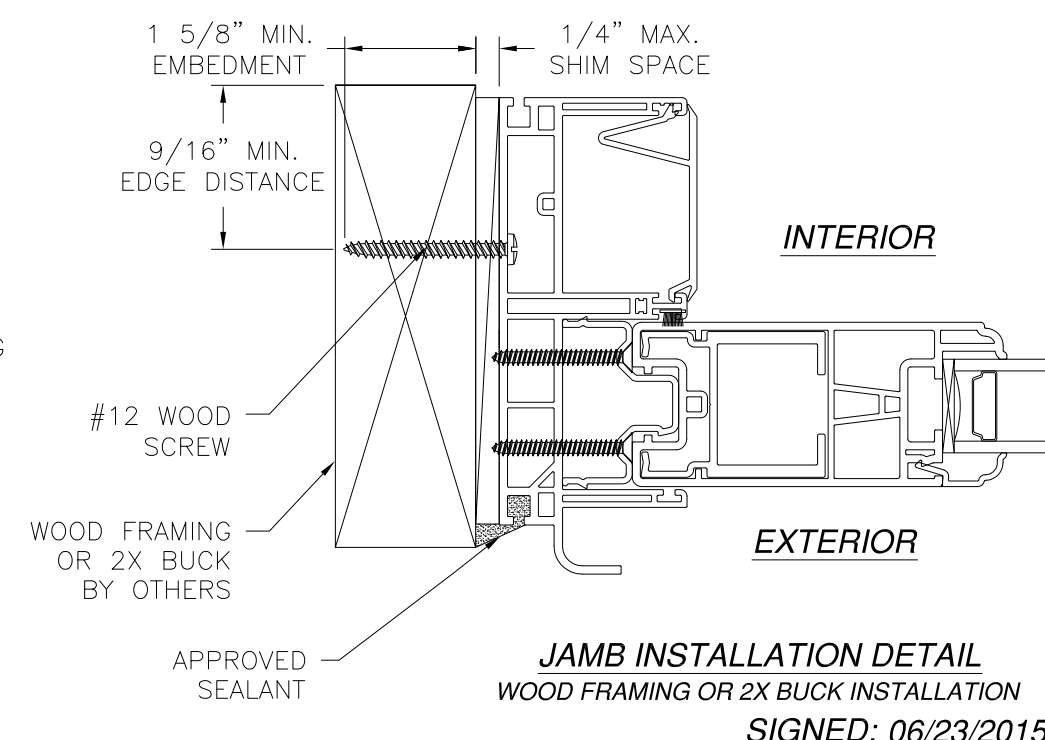
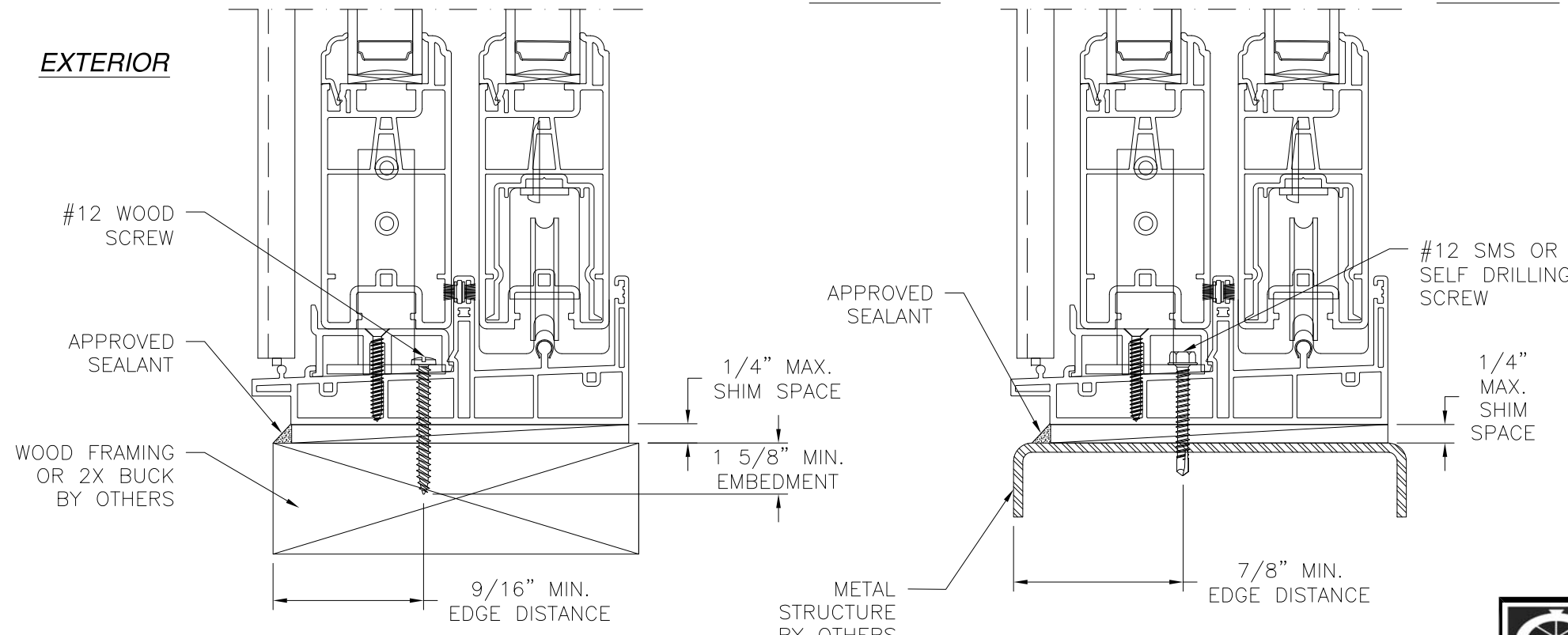
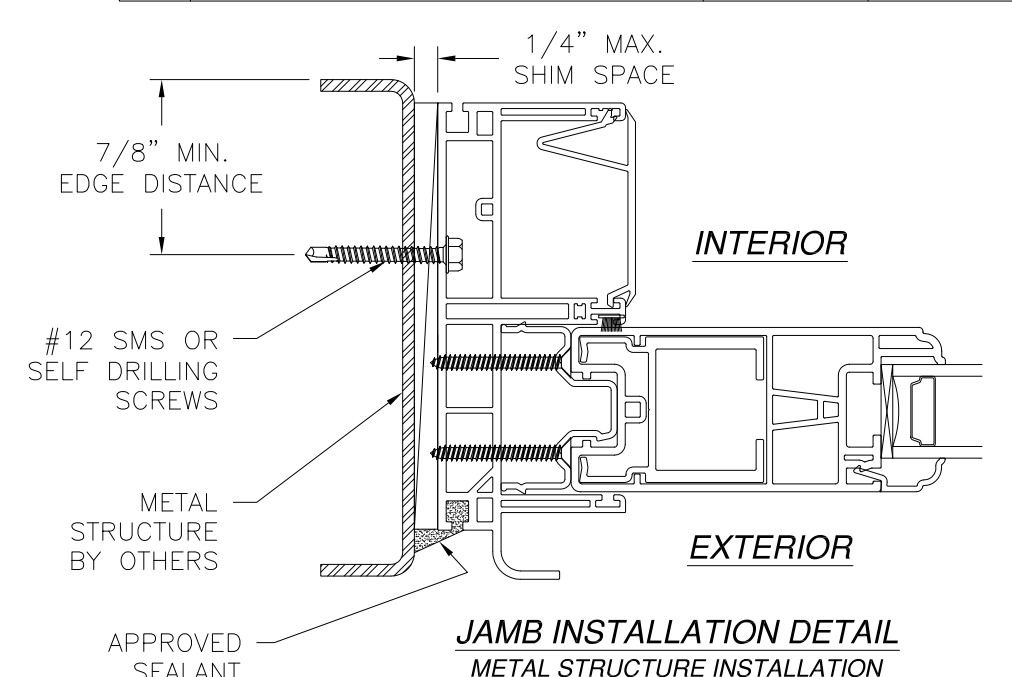
SIGNED: 06/23/2015

 Eastern ARCHITECTURAL SYSTEMS ALUMINUM AND VINYL IMPACT WINDOWS AND DOORS	EASTERN ARCHITECTURAL SYSTEMS A DIVISION OF EASTERN METAL SUPPLY 16341 DOMESTIC AVE FORT MYERS, FLORIDA 33912 800-432-2204	
	SERIES 623 VINYL SLIDING GLASS DOOR 192" x 96" NON-IMPACT FLANGE ELEVATION	
DRAWN: R.L.	DWG NO. 08-01672	REV A
SCALE NTS	DATE 07/13/12	SHEET 3 OF 6





REVISIONS			
REV	DESCRIPTION	DATE	APPROVED
A	REVISED INSTALLATION DETAILS	06/22/15	R.L.



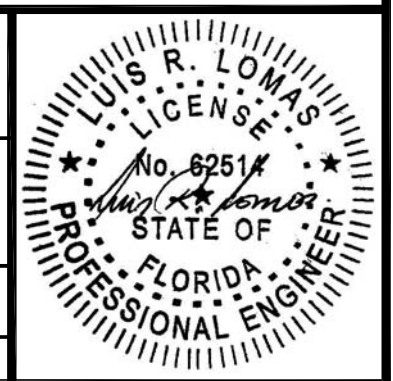
- NOTES:
1. INTERIOR AND EXTERIOR FINISHES, BY OTHERS, NOT SHOWN FOR CLARITY.
 2. PERIMETER AND JOINT SEALANT BY OTHERS TO BE DESIGNED IN ACCORDANCE WITH ASTM E212

Eastern
ARCHITECTURAL SYSTEMS
ALUMINUM AND VINYL
IMPACT WINDOWS AND DOORS

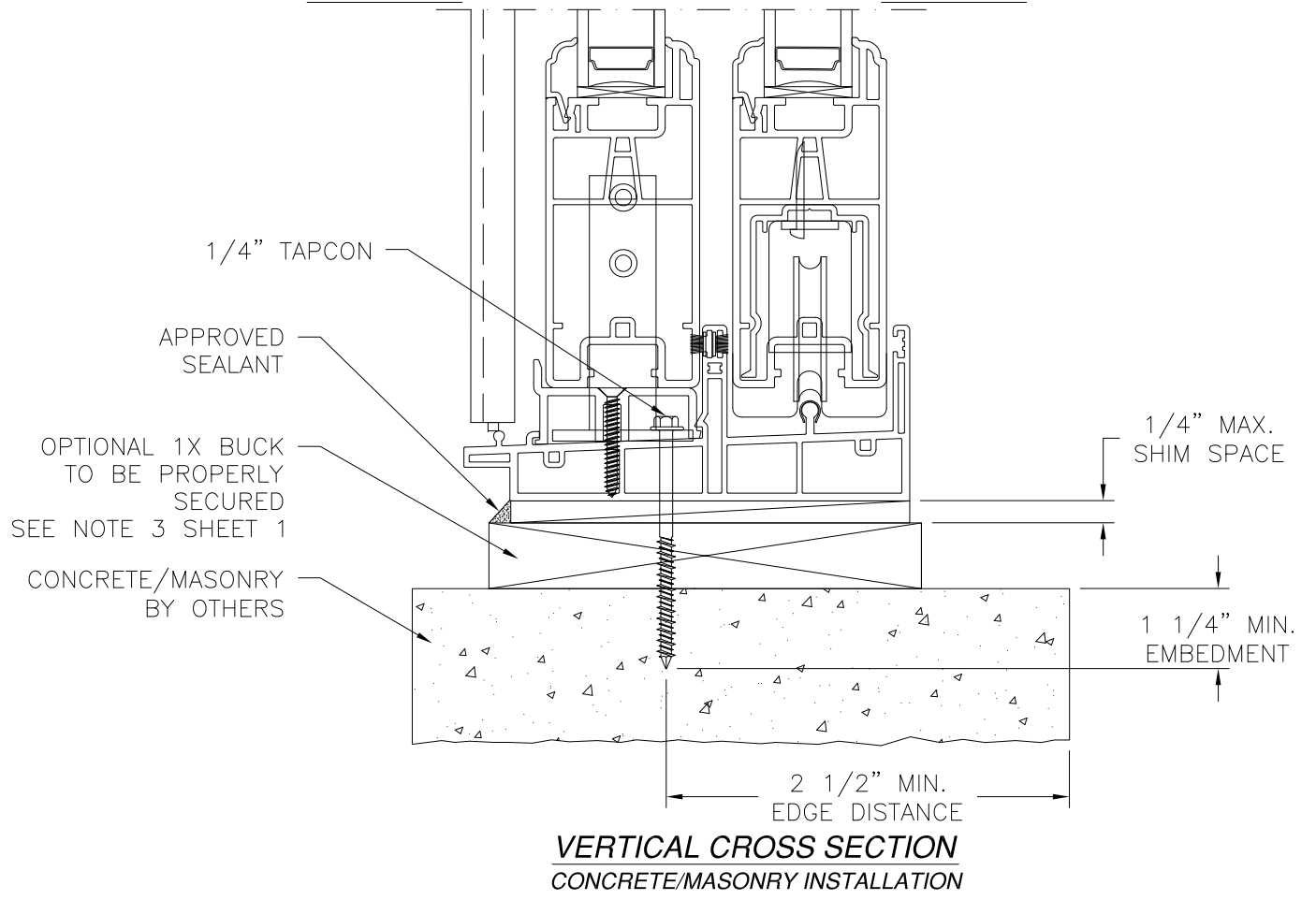
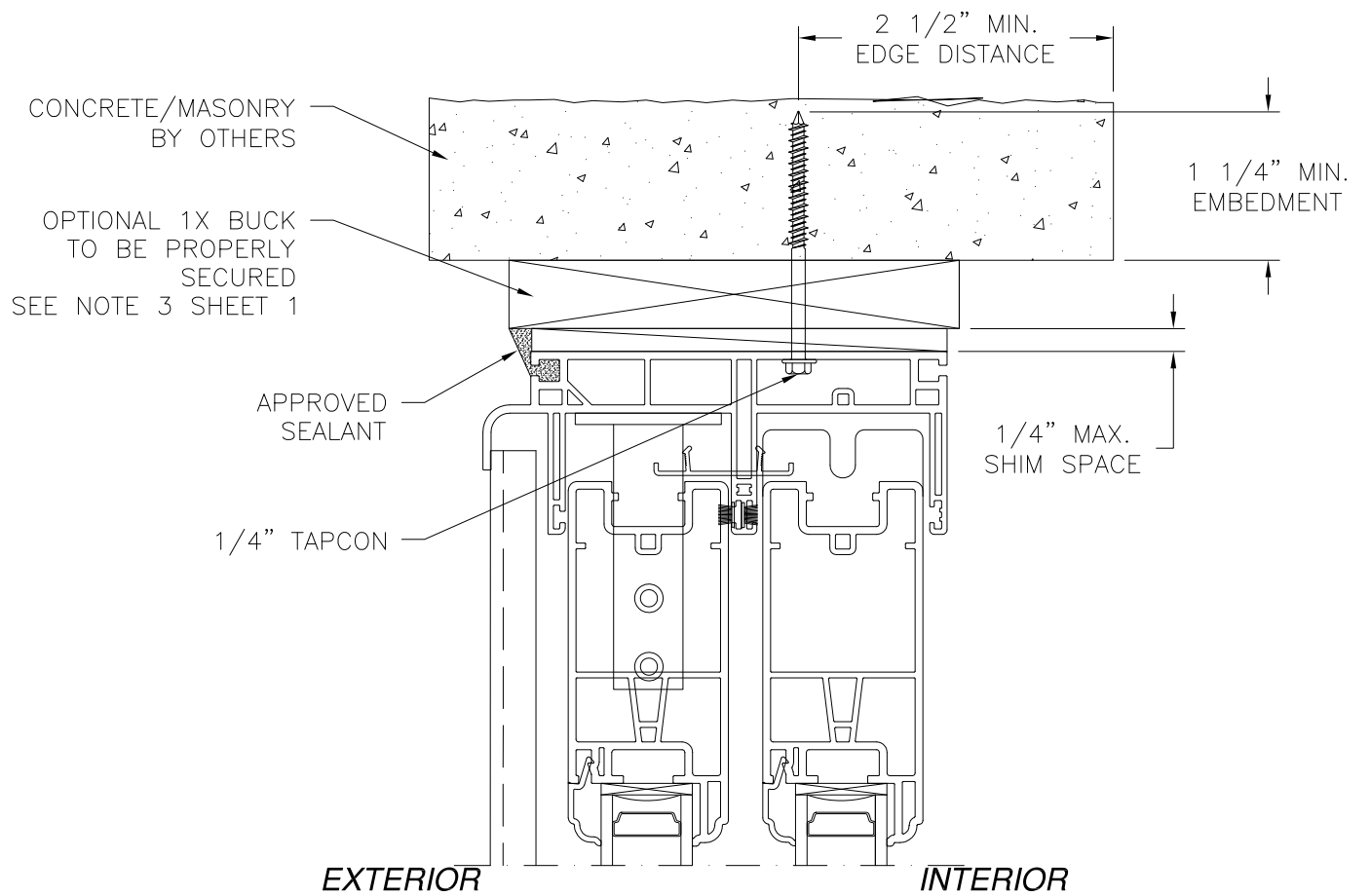
EASTERN ARCHITECTURAL SYSTEMS
A DIVISION OF
EASTERN METAL SUPPLY

16341 DOMESTIC AVE
FORT MYERS, FLORIDA 33912
800-432-2204

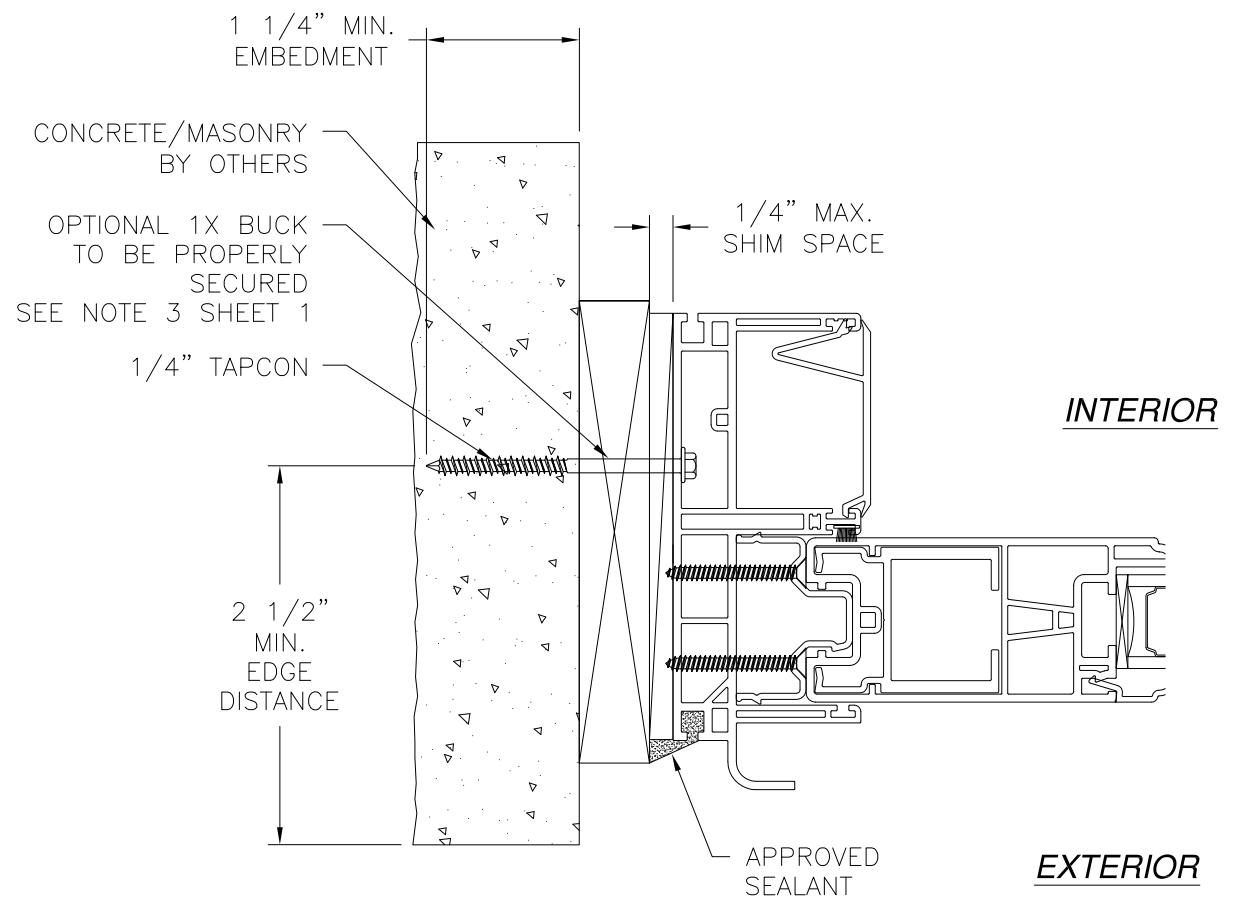
SERIES 623 VINYL SLIDING GLASS DOOR 192" x 96" NON-IMPACT INSTALLATION DETAILS		
DRAWN: R.L.	DWG NO. 08-01672	REV A
SCALE NTS	DATE 07/13/12	SHEET 4 OF 6



REVISIONS			
REV	DESCRIPTION	DATE	APPROVED
A	REVISED INSTALLATION DETAILS	06/22/15	R.L.




VERTICAL CROSS SECTION
CONCRETE/MASONRY INSTALLATION

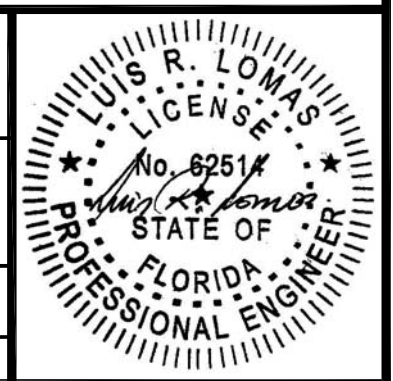


JAMB INSTALLATION DETAIL
CONCRETE/MASONRY INSTALLATION

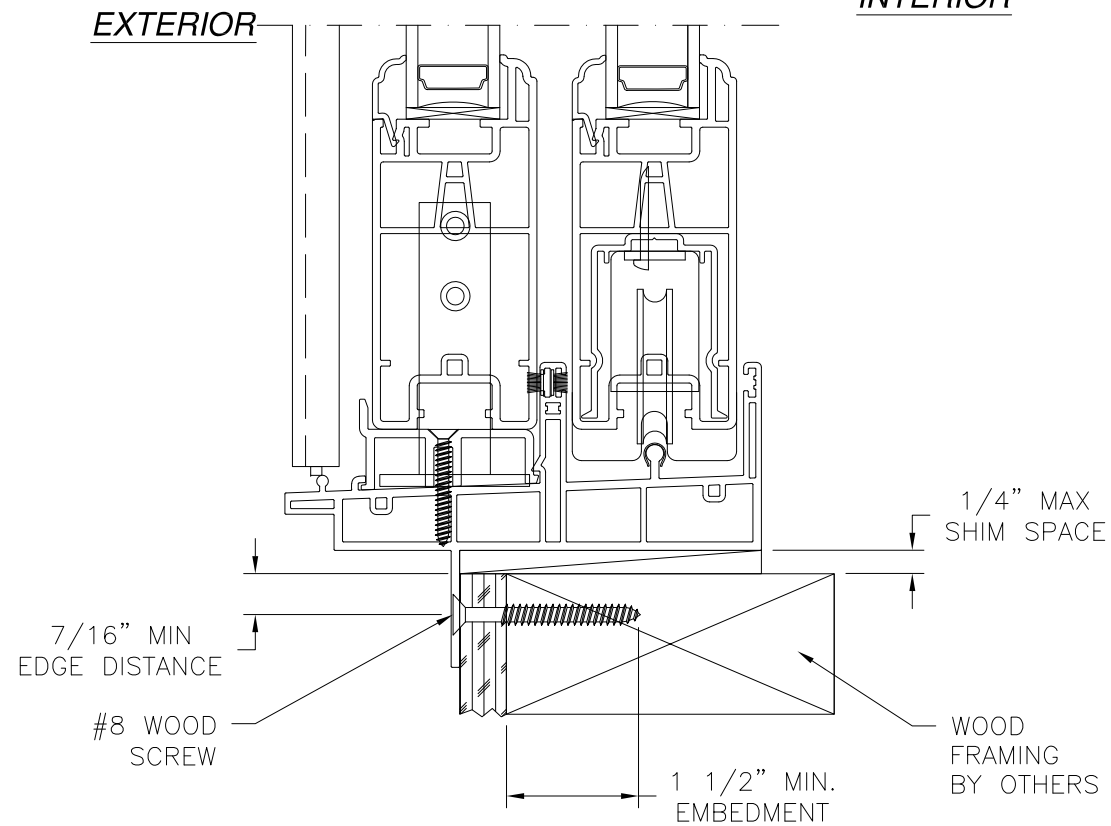
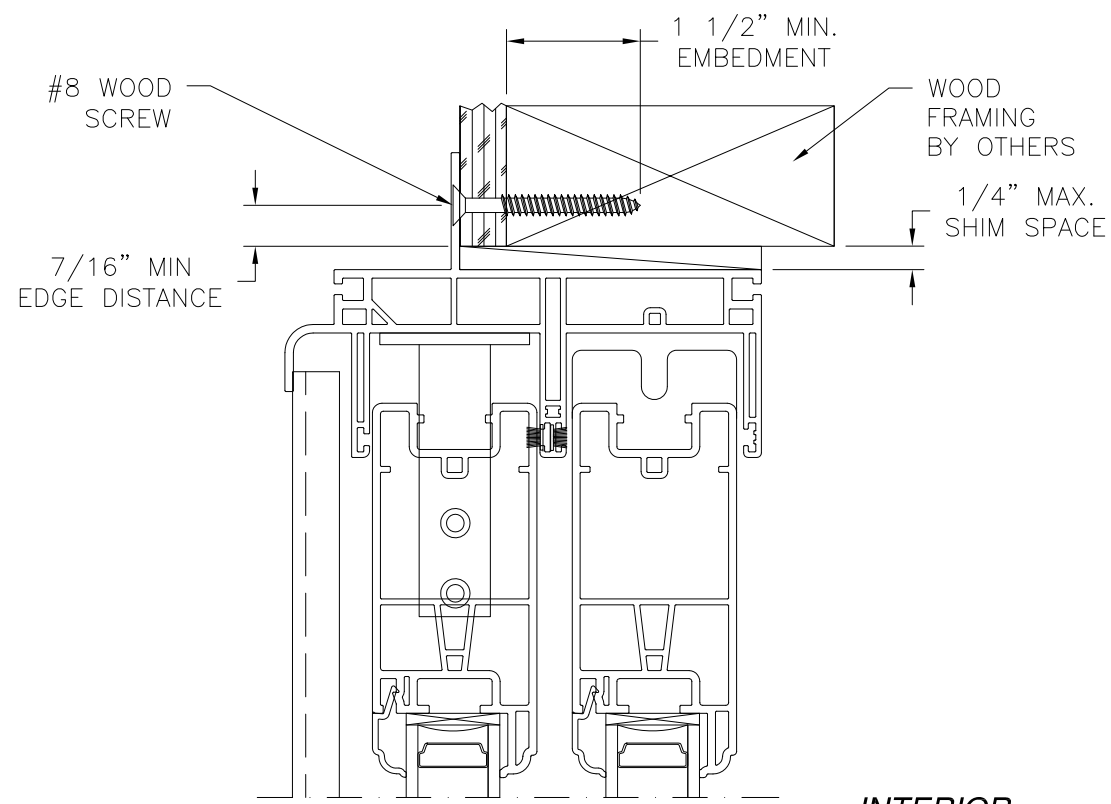
- NOTES:**
1. INTERIOR AND EXTERIOR FINISHES, BY OTHERS, NOT SHOWN FOR CLARITY.
 2. PERIMETER AND JOINT SEALANT BY OTHERS TO BE DESIGNED IN ACCORDANCE WITH ASTM E2112

SIGNED: 06/23/2015

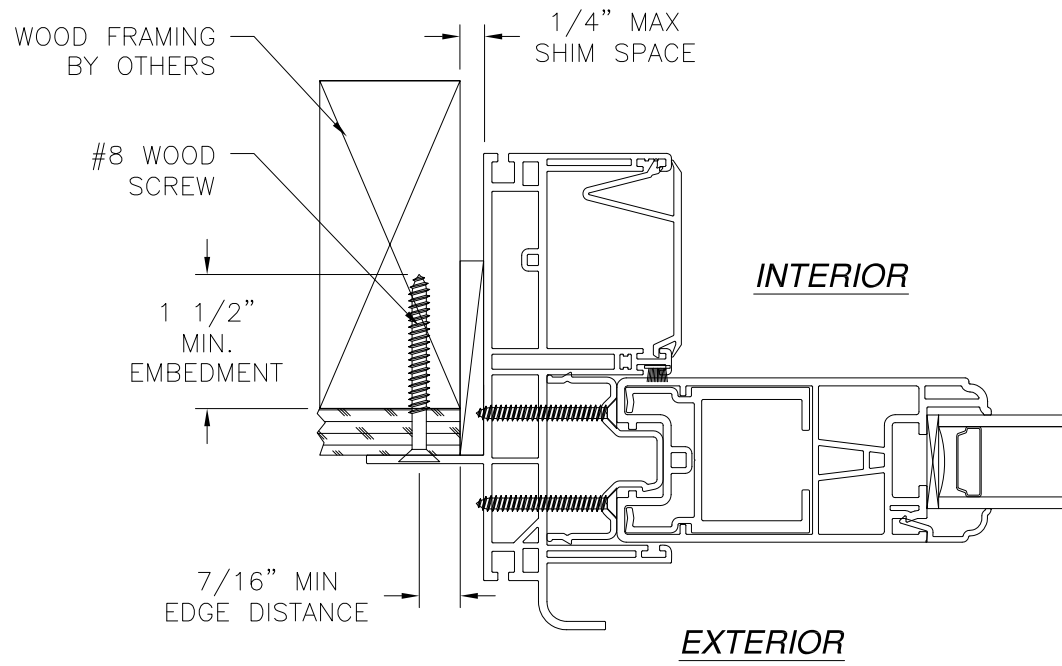
 Eastern ARCHITECTURAL SYSTEMS ALUMINUM AND VINYL IMPACT WINDOWS AND DOORS		EASTERN ARCHITECTURAL SYSTEMS A DIVISION OF EASTERN METAL SUPPLY 16341 DOMESTIC AVE FORT MYERS, FLORIDA 33912 800-432-2204	
SERIES 623 VINYL SLIDING GLASS DOOR 192" x 96" NON-IMPACT INSTALLATION DETAILS			
DRAWN: R.L.	DWG NO. 08-01672	REV A	
SCALE NTS	DATE 07/13/12	SHEET 5 OF 6	



REVISIONS			
REV	DESCRIPTION	DATE	APPROVED
A	REVISED INSTALLATION DETAILS	06/22/15	R.L.



VERTICAL CROSS SECTION
WOOD FRAMING OR 2X BUCK INSTALLATION



JAMB INSTALLATION DETAIL
WOOD FRAMING OR 2X BUCK INSTALLATION

- NOTES:**
1. INTERIOR AND EXTERIOR FINISHES, BY OTHERS, NOT SHOWN FOR CLARITY.
 2. PERIMETER AND JOINT SEALANT BY OTHERS TO BE DESIGNED IN ACCORDANCE WITH ASTM E2112

SIGNED: 06/23/2015

Eastern
ARCHITECTURAL SYSTEMS
ALUMINUM AND VINYL
IMPACT WINDOWS AND DOORS

EASTERN ARCHITECTURAL SYSTEMS
A DIVISION OF
EASTERN METAL SUPPLY
16341 DOMESTIC AVE
FORT MYERS, FLORIDA 33912
800-432-2204

SERIES 623 VINYL SLIDING GLASS DOOR
192" x 96" NON-IMPACT
INSTALLATION DETAILS

DRAWN: R.L.	DWG NO. 08-01672	REV A
SCALE NTS	DATE 07/13/12	SHEET 6 OF 6

