

REVISIONS			
REV	DESCRIPTION	DATE	APPROVED


NOTES:

1. THE PRODUCT SHOWN HEREIN IS DESIGNED AND MANUFACTURED TO COMPLY WITH REQUIREMENTS OF THE FLORIDA BUILDING CODE INCLUDING THE HVHZ.
2. WOOD FRAMING AND MASONRY OPENING TO BE DESIGNED AND ANCHORED TO PROPERLY TRANSFER ALL LOADS TO STRUCTURE. FRAMING AND MASONRY OPENING IS THE RESPONSIBILITY OF THE ARCHITECT OR ENGINEER OF RECORD.
3. 1X BUCK OVER MASONRY/CONCRETE IS OPTIONAL. WHERE 1X BUCK IS NOT USED DISSIMILAR MATERIALS MUST BE SEPARATED WITH APPROVED COATING OR MEMBRANE. SELECTION OF COATING OR MEMBRANE IS THE RESPONSIBILITY OF THE ARCHITECT OR ENGINEER OF RECORD.
4. ALLOWABLE STRESS INCREASE OF 1/3 WAS NOT USED IN THE DESIGN OF THE PRODUCT SHOWN HEREIN. WIND LOAD DURATION FACTOR  $C_d=1.6$  WAS USED FOR WOOD ANCHOR CALCULATIONS.
5. FRAME MATERIAL: EXTRUDED ALUMINUM 6063-T6.
6. UNITS MUST BE GLAZED PER ASTM E1300-04.
7. APPROVED IMPACT PROTECTIVE SYSTEM IS REQUIRED FOR THIS PRODUCT IN WIND BORNE DEBRIS REGIONS.
8. SHIM AS REQUIRED AT EACH INSTALLATION ANCHOR WITH LOAD BEARING SHIM. SHIM WHERE SPACE OF 1/16" OR GREATER OCCURS. MAXIMUM ALLOWABLE SHIM STACK TO BE 1/4".
9. FOR ANCHORING INTO WOOD FRAMING OR 2X BUCK USE #10 WOOD SCREWS WITH SUFFICIENT LENGTH TO ACHIEVE A 1 1/4" MINIMUM EMBEDMENT INTO SUBSTRATE. LOCATE ANCHORS AS SHOWN IN ELEVATIONS AND INSTALLATION DETAILS.
10. FOR ANCHORING INTO MASONRY/CONCRETE USE 3/16" TAPCONS WITH SUFFICIENT LENGTH TO ACHIEVE A 1 1/4" MINIMUM EMBEDMENT INTO SUBSTRATE WITH 2 1/2" MINIMUM EDGE DISTANCE. LOCATE ANCHORS AS SHOWN IN ELEVATIONS AND INSTALLATION DETAILS.
11. FOR ANCHORING TROUGH FRAME INTO METAL STRUCTURE USE #10 SMS OR SELF DRILLING SCREWS WITH SUFFICIENT LENGTH TO ACHIEVE 3 THREADS MINIMUM BEYOND STRUCTURE INTERIOR WALL. LOCATE ANCHORS AS SHOWN IN ELEVATIONS AND INSTALLATION DETAILS.
12. ALL FASTENERS TO BE CORROSION RESISTANT.

13. INSTALLATION ANCHORS SHALL BE INSTALLED IN ACCORDANCE WITH ANCHOR MANUFACTURER'S INSTALLATION INSTRUCTIONS AND ANCHORS SHALL NOT BE USED IN SUBSTRATES WITH STRENGTHS LESS THAN THE MINIMUM STRENGTH SPECIFIED BELOW:
  - A. WOOD – MINIMUM SPECIFIC GRAVITY OF  $G=0.42$
  - B. CONCRETE – MINIMUM COMPRESSIVE STRENGTH OF 3,192 PSI.
  - C. MASONRY – STRENGTH CONFORMANCE TO ASTM C-90, GRADE N, TYPE 1 (OR GREATER).
  - D. METAL STRUCTURE: STEEL 18GA, 33KSI OR ALUMINUM 6063-T5 1/8" THICK MINIMUM
14. APPROVED CONFIGURATIONS:
  - 2 TRACK: XO, OX, XX, OXO, OXXO, XXXX, PX, XP, PXX, PXXP, PXXXXP.
  - 3 TRACK: XXX, XXO, OXX, XXXXXX, OXXXXO, PXXX, XXXP PXXXXXXP.
  - 4 TRACK: XXXX, XXXO, OXXX, XXXXXXXX, OXXXXXO, PXXXX, XXXXP, PXXXXXXXP.

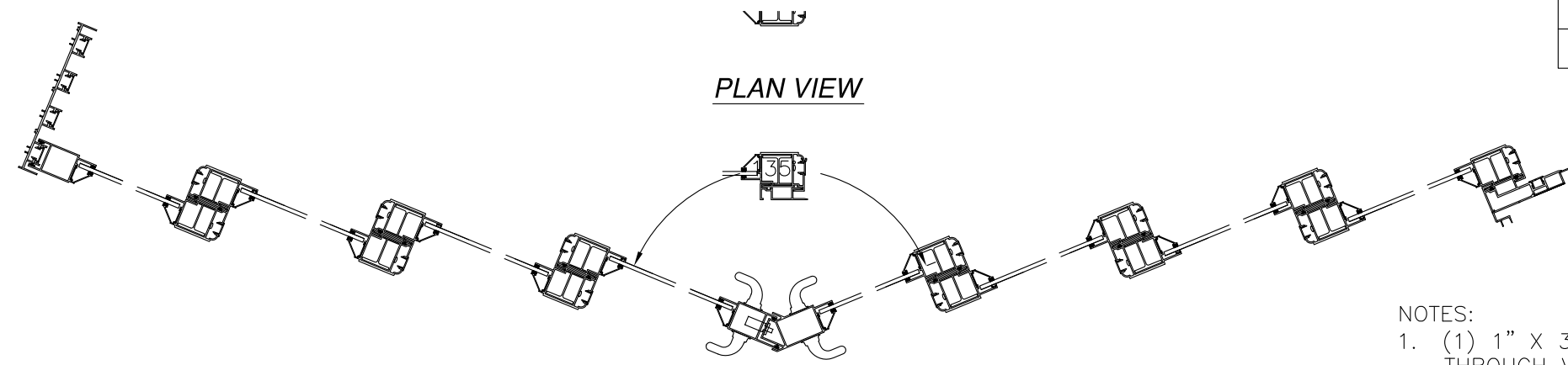
SIGNED: 04/30/2015

TABLE OF CONTENTS	
SHEET NO.	DESCRIPTION
1	NOTES
2	ELEVATION
3 - 12	INSTALLATION DETAILS

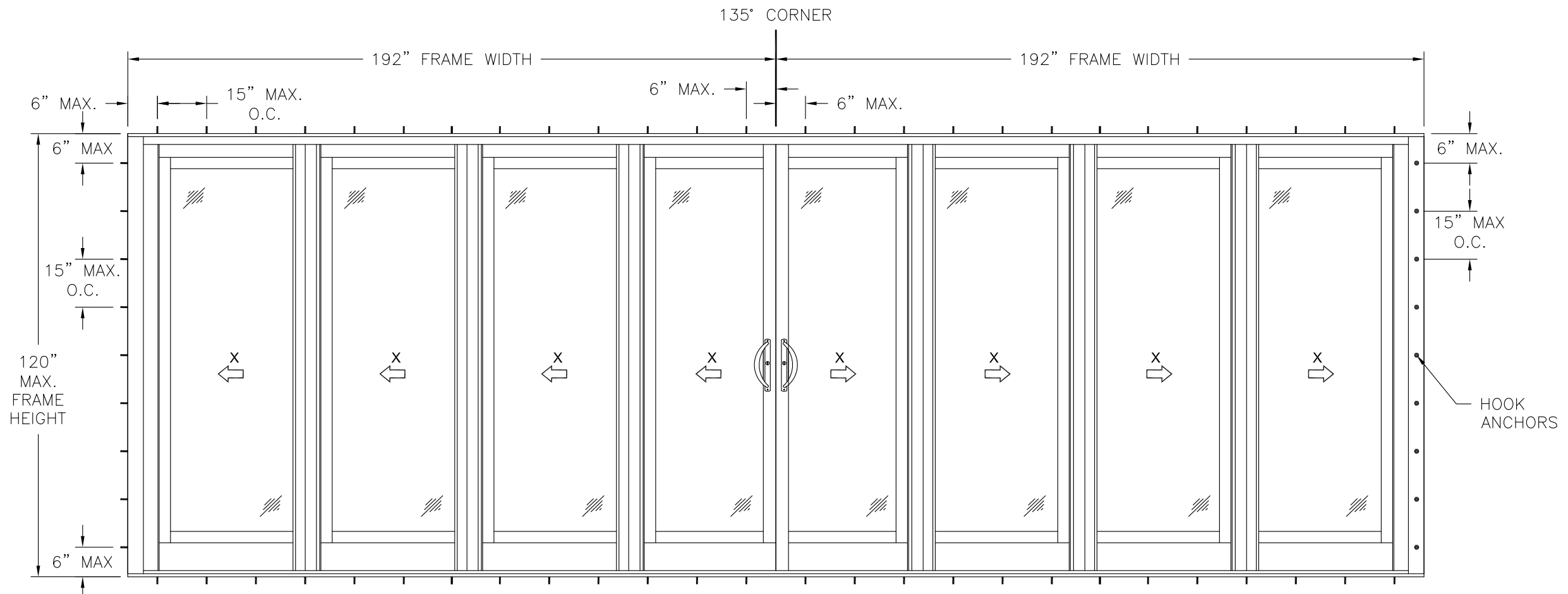
		EASTERN ARCHITECTURAL SYSTEMS A DIVISION OF EASTERN METAL SUPPLY 16341 DOMESTIC AVE FORT MYERS, FL 33912 800-432-2204	
SERIES 135° FD8100 ALUMINUM SLIDING GLASS POCKET DOOR NOTES			
DRAWN: V.L.		DWG NO. 08-02668	
SCALE NTS		DATE 03/30/15	
REV —			
SHEET 1 OF 12			



REVISIONS			
REV	DESCRIPTION	DATE	APPROVED



- NOTES:
- (1) 1" X 3/16" WEEP SLOT 6" FROM EACH END, AND 48" ON CENTER THROUGH VERTICAL SILL LEG EXCEPT MOST INTERIOR SILL LEG.
  - MAXIMUM PANEL SIZE: 49 1/2" X 118 1/32"
  - MAXIMUM D.L.O.: 40 7/8" X 109 1/4"



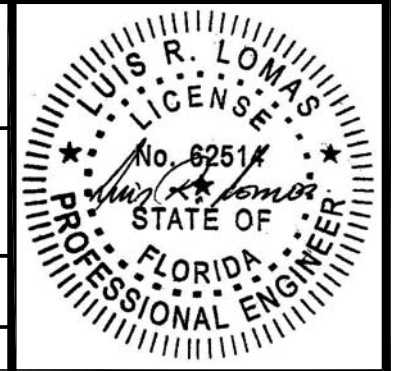
**SERIES 135° FD8100 ALUMINUM SLIDING GLASS POCKET DOOR**  
EXTERIOR VIEW

DESIGN PRESSURE RATING	IMPACT RATING
±50.0PSF	NONE

**Eastern**  
ARCHITECTURAL SYSTEMS  
ALUMINUM AND VINYL  
IMPACT WINDOWS AND DOORS

EASTERN ARCHITECTURAL SYSTEMS  
A DIVISION OF  
EASTERN METAL SUPPLY  
16341 DOMESTIC AVE  
FORT MYERS, FL 33912  
800-432-2204

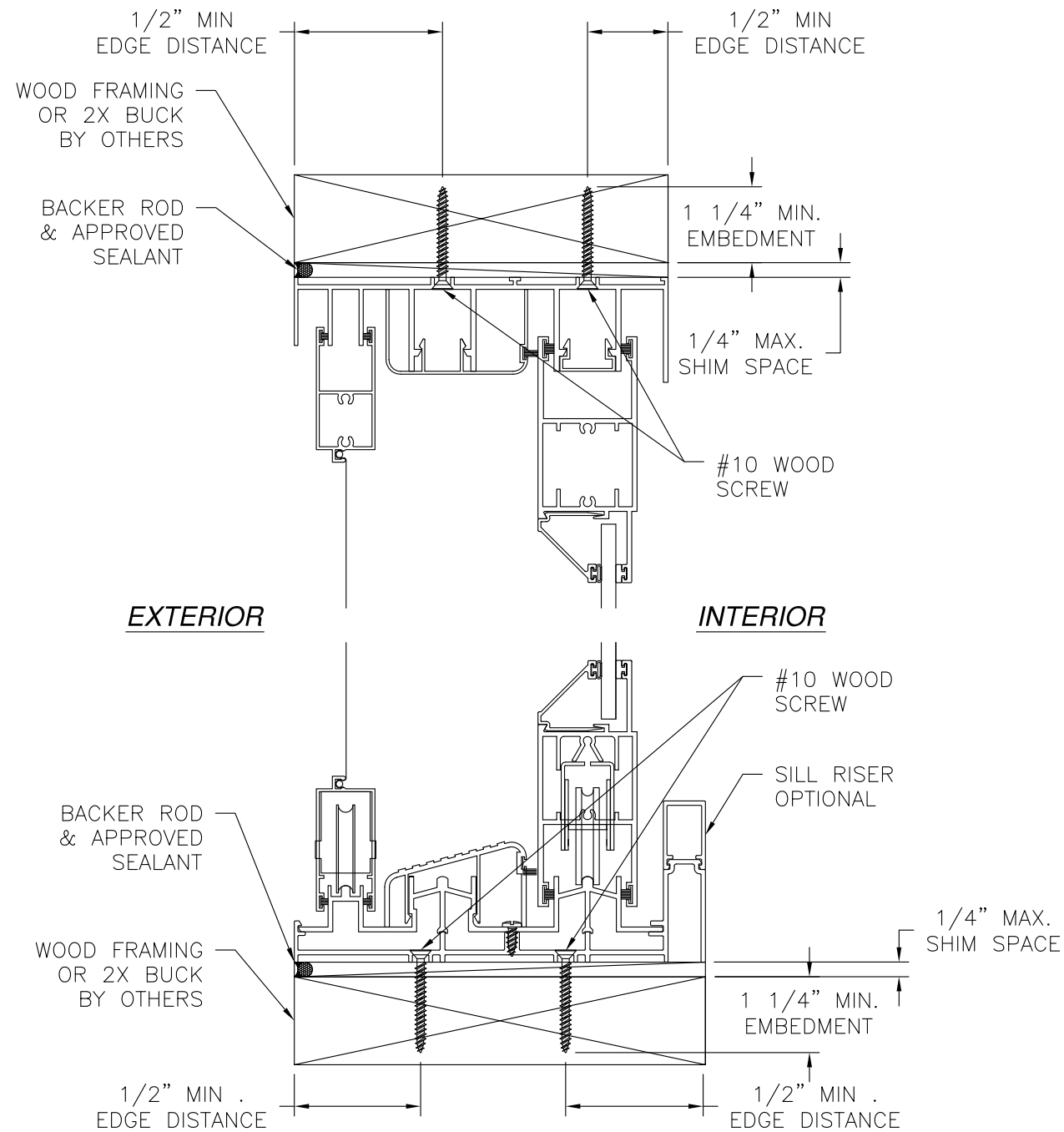
SIGNED: 04/30/2015



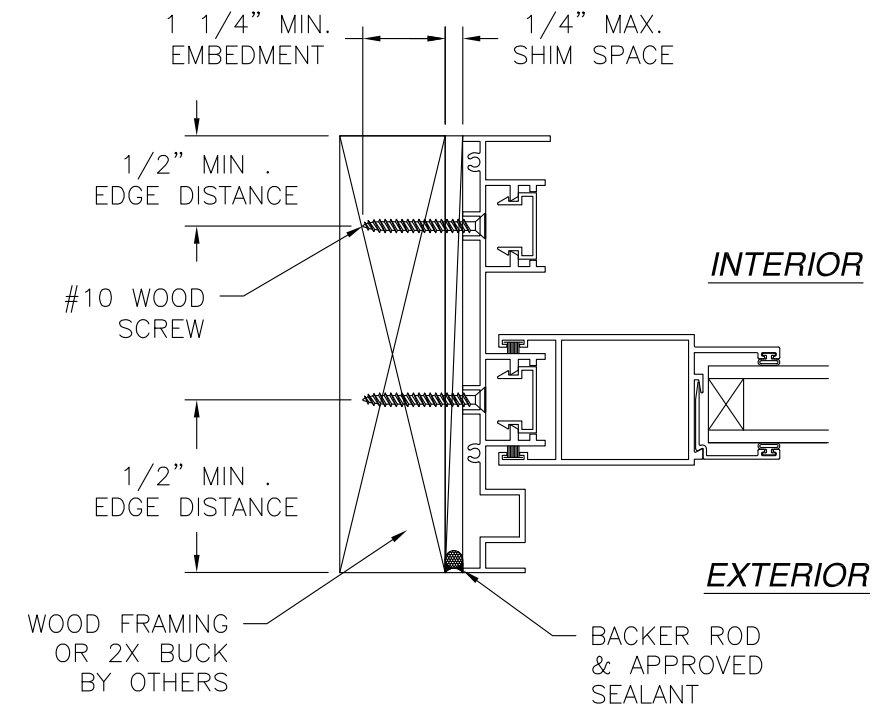
HARDWARE SCHEDULE	
A.	(1) ADJUSTABLE TANDEM WHEEL ROLLER ASSEMBLY AT EACH END OF EACH PANEL
B.	(2) 2-POINT MORTISE TYPE LOCKS ON LOCK STILE
C.	(2) MULTI-POINT KEEPERS ON ASTRAGAL STILE AT LOCK POSITIONS
D.	(1) EXTRUDED "H" TYPE ALUMINUM REINFORCEMENT CHANNEL AT EACH PANEL INTERLOCK STILE

SERIES 135° FD8100 ALUMINUM SLIDING GLASS POCKET DOOR ELEVATION		
DRAWN: V.L.	DWG NO. 08-02668	REV -
SCALE NTS	DATE 03/30/15	SHEET 2 OF 12

REVISIONS			
REV	DESCRIPTION	DATE	APPROVED




**VERTICAL CROSS SECTION**  
WOOD FRAMING OR 2X BUCK INSTALLATION

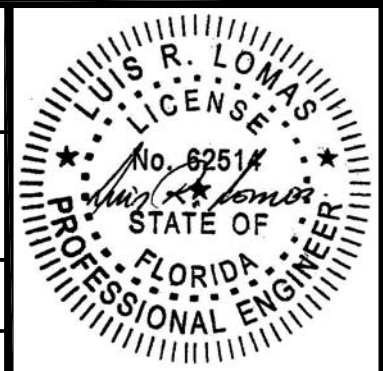


**JAMB INSTALLATION DETAIL**  
WOOD FRAMING OR 2X BUCK INSTALLATION

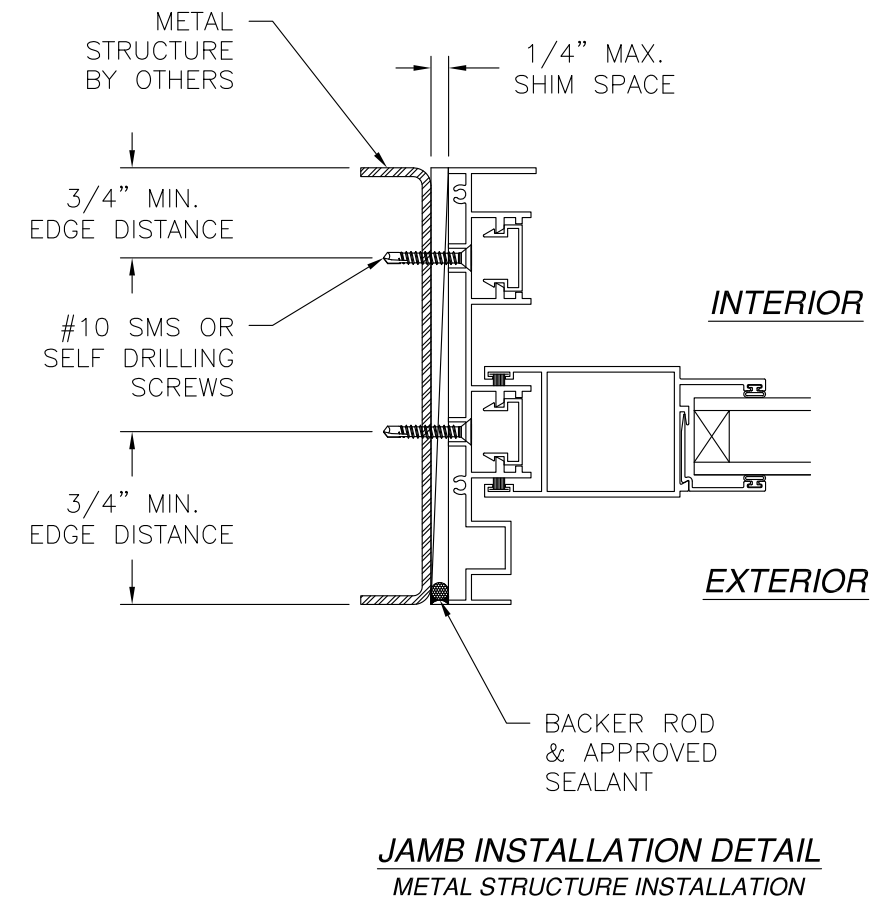
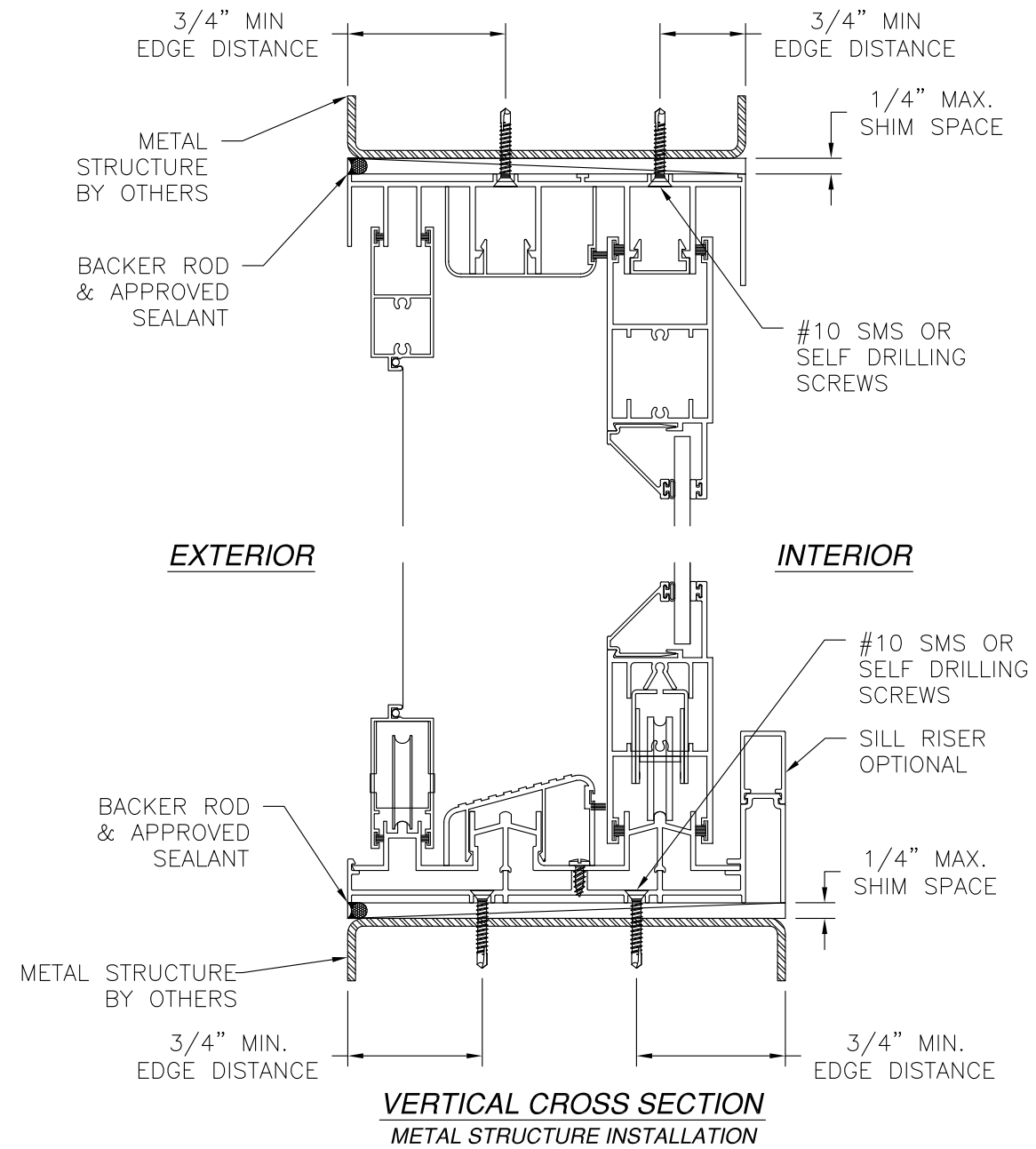
NOTES:  
 1. INTERIOR AND EXTERIOR FINISHES, BY OTHERS, NOT SHOWN FOR CLARITY.  
 2. PERIMETER AND JOINT SEALANT BY OTHERS TO BE DESIGNED IN ACCORDANCE WITH ASTM E2112

SIGNED: 04/30/2015

 <p><b>Eastern</b> ARCHITECTURAL SYSTEMS ALUMINUM AND VINYL IMPACT WINDOWS AND DOORS</p>	EASTERN ARCHITECTURAL SYSTEMS A DIVISION OF EASTERN METAL SUPPLY 16341 DOMESTIC AVE FORT MYERS, FL 33912 800-432-2204	
	SERIES 135° FD8100 ALUMINUM SLIDING GLASS POCKET DOOR 2-TRACK INSTALLATION DETAILS	
DRAWN: V.L.	DWG NO. 08-02668	REV -
SCALE NTS	DATE 03/30/15	SHEET 3 OF 12




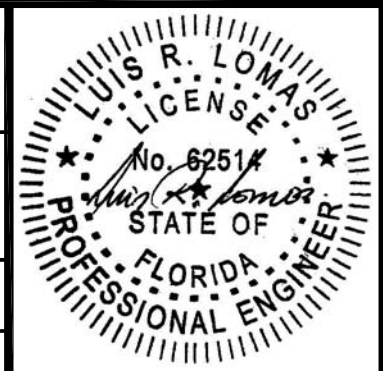
REVISIONS			
REV	DESCRIPTION	DATE	APPROVED



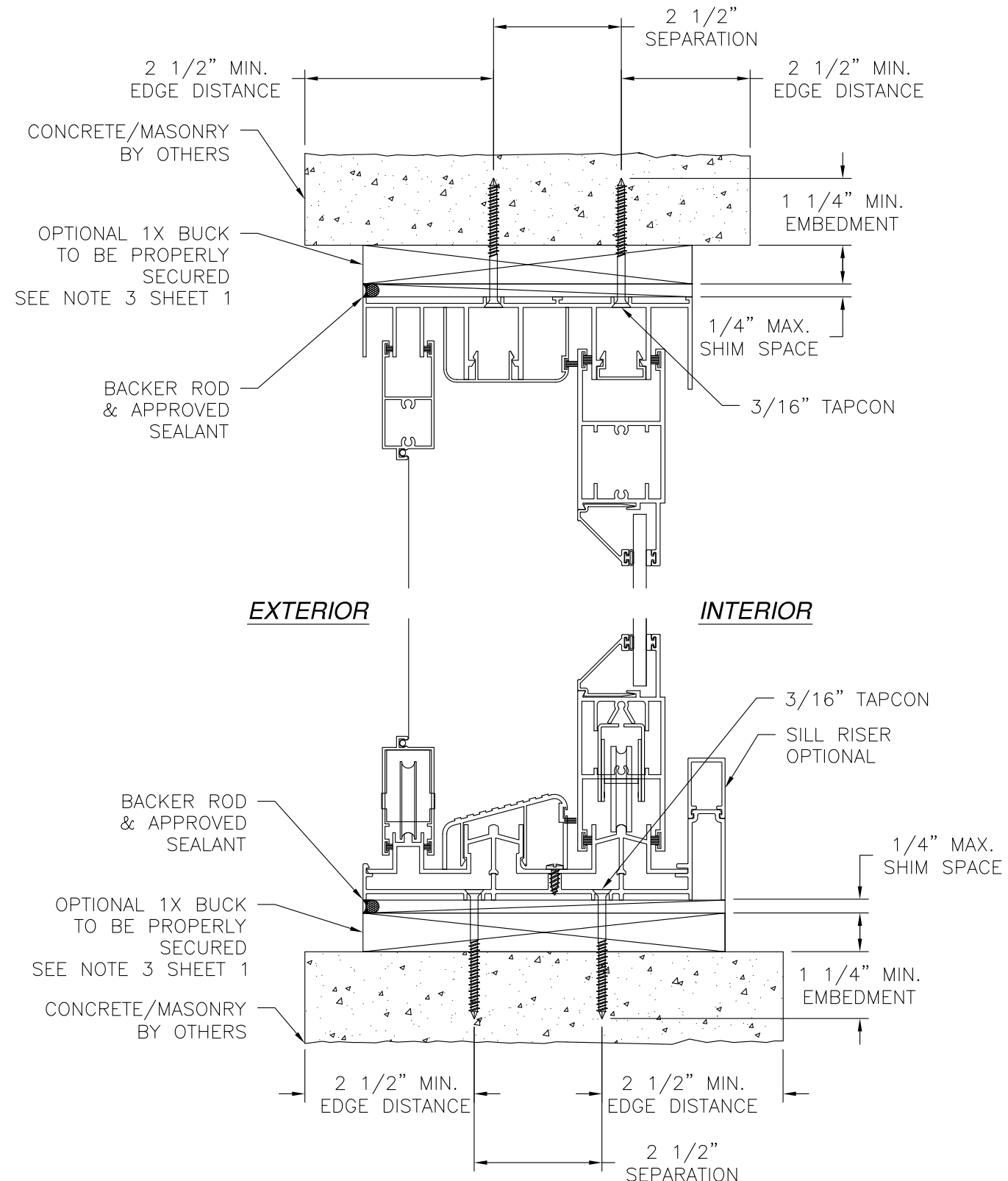
NOTES:  
 1. INTERIOR AND EXTERIOR FINISHES, BY OTHERS, NOT SHOWN FOR CLARITY.  
 2. PERIMETER AND JOINT SEALANT BY OTHERS TO BE DESIGNED IN ACCORDANCE WITH ASTM E2112

SIGNED: 04/30/2015

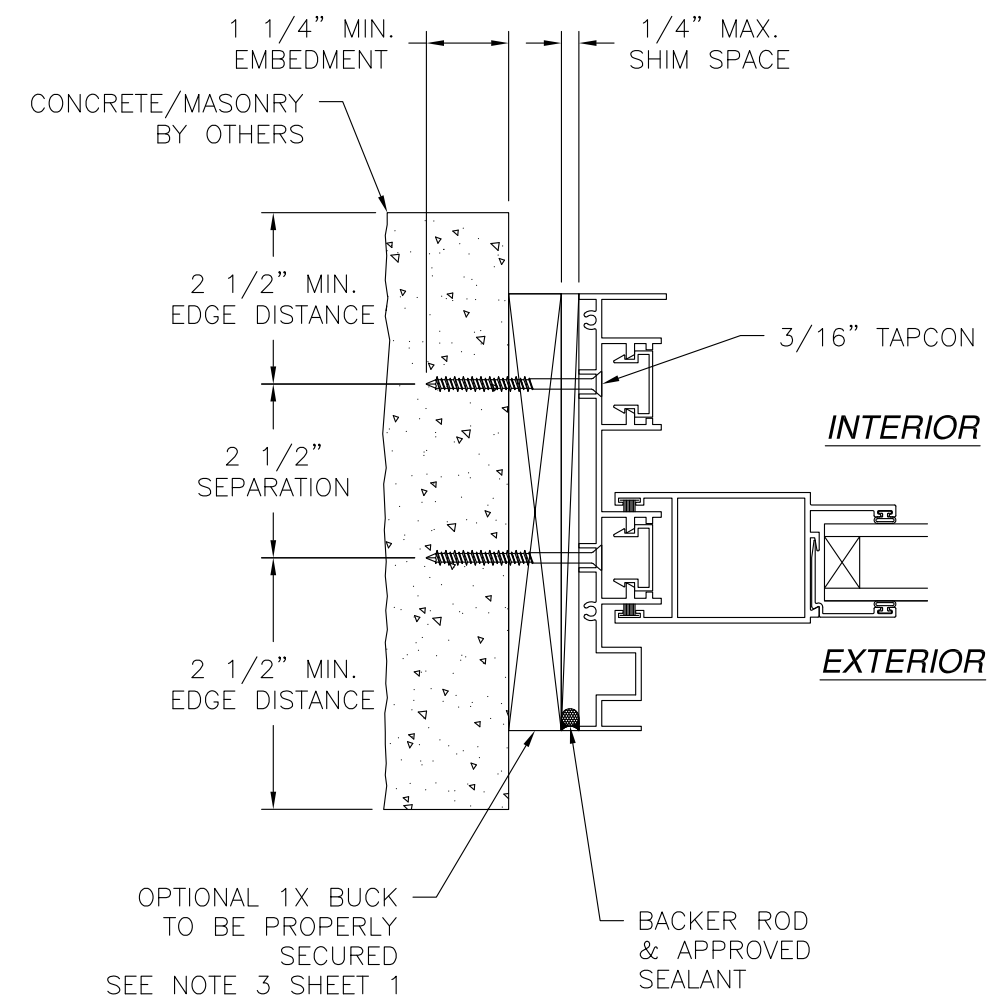
 <p><b>Eastern</b> ARCHITECTURAL SYSTEMS ALUMINUM AND VINYL IMPACT WINDOWS AND DOORS</p>	EASTERN ARCHITECTURAL SYSTEMS A DIVISION OF EASTERN METAL SUPPLY 16341 DOMESTIC AVE FORT MYERS, FL 33912 800-432-2204	
	SERIES 135° FD8100 ALUMINUM SLIDING GLASS POCKET DOOR 2-TRACK INSTALLATION DETAILS	
DRAWN: V.L.	DWG NO. 08-02668	REV -
SCALE NTS	DATE 03/30/15	SHEET 4 OF 12



REVISIONS			
REV	DESCRIPTION	DATE	APPROVED



**VERTICAL CROSS SECTION**  
CONCRETE/MASONRY INSTALLATION



**JAMB INSTALLATION DETAIL**  
CONCRETE/MASONRY INSTALLATION

- NOTES:**
1. INTERIOR AND EXTERIOR FINISHES, BY OTHERS, NOT SHOWN FOR CLARITY.
  2. PERIMETER AND JOINT SEALANT BY OTHERS TO BE DESIGNED IN ACCORDANCE WITH ASTM E2112

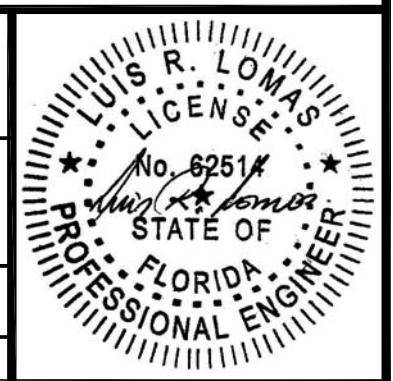
SIGNED: 04/30/2015

**Eastern**  
ARCHITECTURAL SYSTEMS  
ALUMINUM AND VINYL  
IMPACT WINDOWS AND DOORS

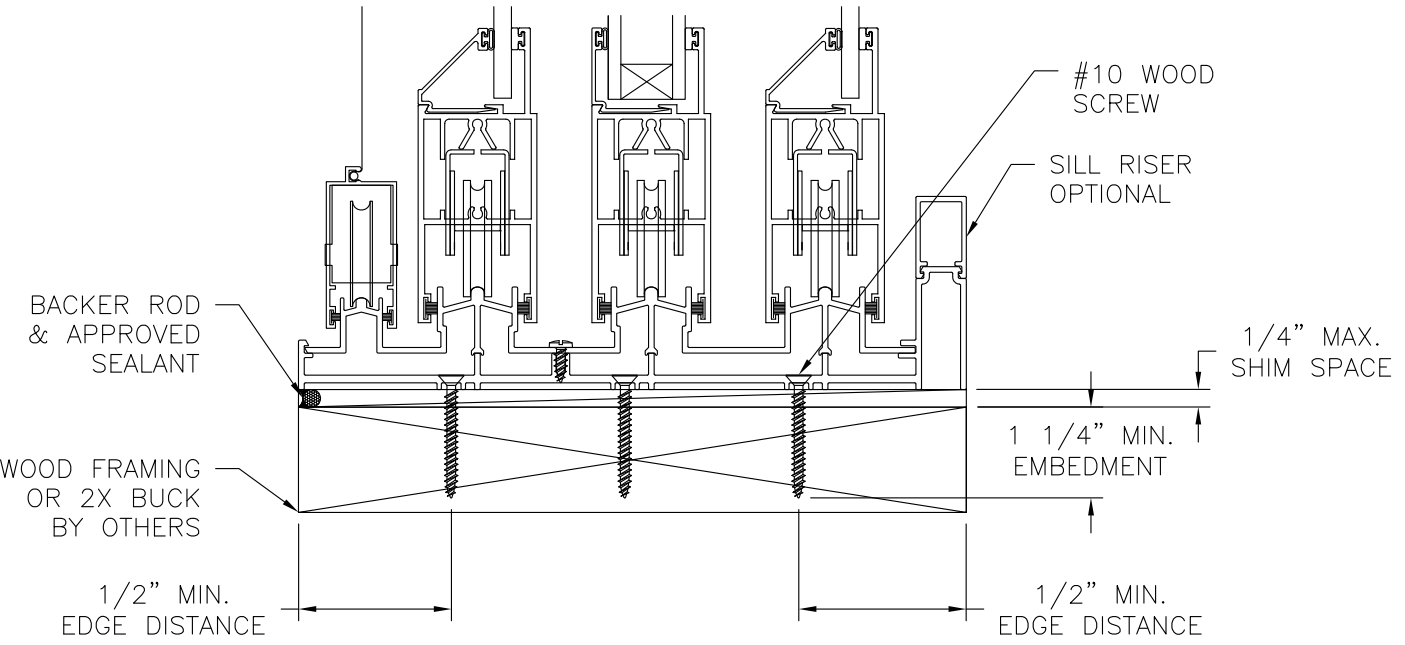
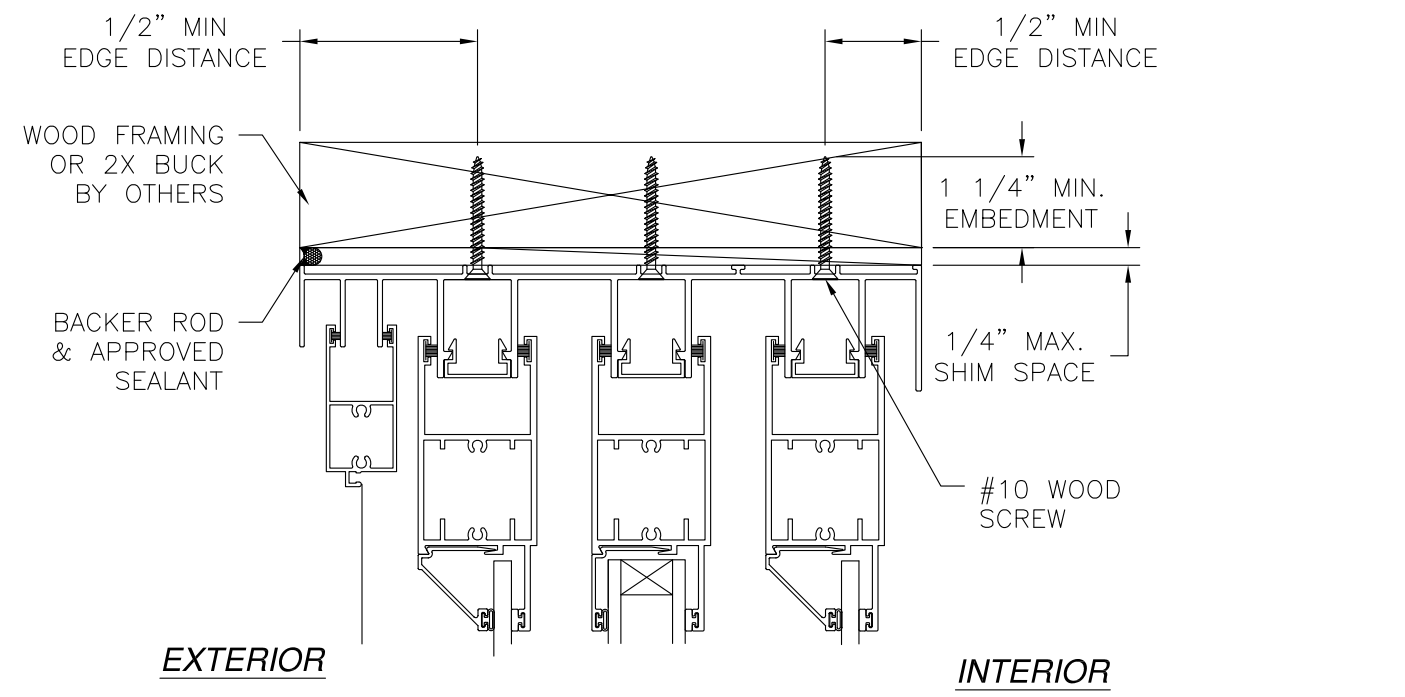
EASTERN ARCHITECTURAL SYSTEMS  
A DIVISION OF  
EASTERN METAL SUPPLY  
16341 DOMESTIC AVE  
FORT MYERS, FL 33912  
800-432-2204

SERIES 135° FD8100  
ALUMINUM SLIDING GLASS POCKET DOOR  
2-TRACK INSTALLATION DETAILS

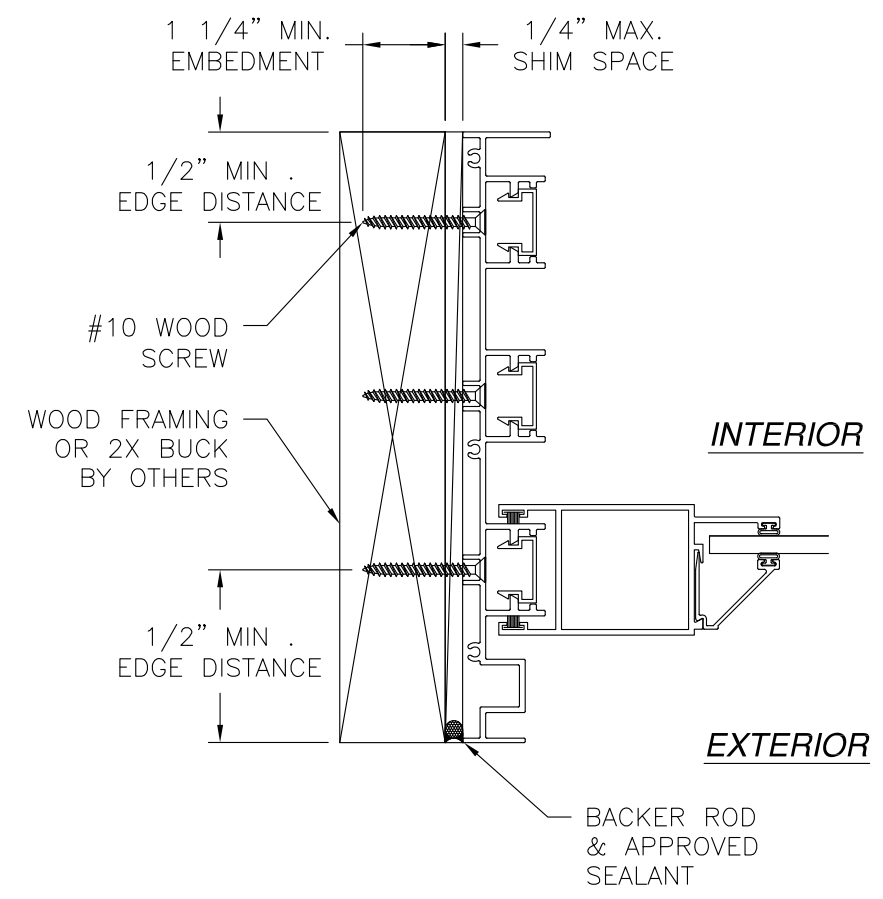
DRAWN: V.L.	DWG NO. 08-02668	REV -
SCALE NTS	DATE 03/30/15	SHEET 5 OF 12



REVISIONS			
REV	DESCRIPTION	DATE	APPROVED



**VERTICAL CROSS SECTION**  
WOOD FRAMING OR 2X BUCK INSTALLATION



**JAMB INSTALLATION DETAIL**  
WOOD FRAMING OR 2X BUCK INSTALLATION

**NOTES:**  
 1. INTERIOR AND EXTERIOR FINISHES, BY OTHERS, NOT SHOWN FOR CLARITY.  
 2. PERIMETER AND JOINT SEALANT BY OTHERS TO BE DESIGNED IN ACCORDANCE WITH ASTM E2112

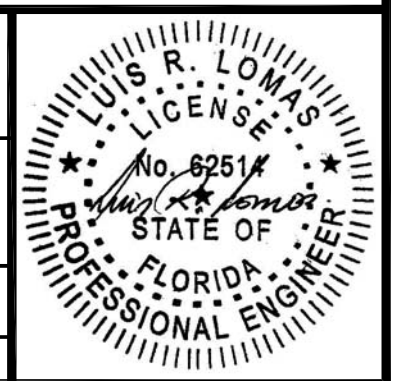
SIGNED: 04/30/2015

**Eastern** ARCHITECTURAL SYSTEMS  
 A DIVISION OF EASTERN METAL SUPPLY  
 16341 DOMESTIC AVE  
 FORT MYERS, FL 33912  
 800-432-2204

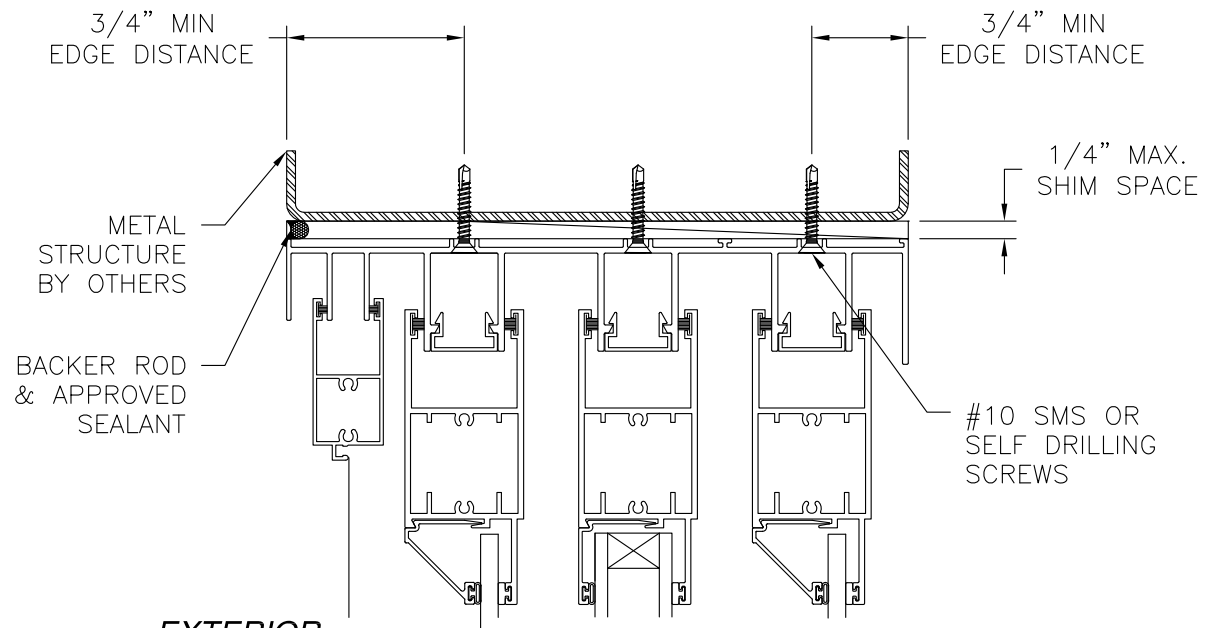
SERIES 135° FD8100  
 ALUMINUM SLIDING GLASS POCKET DOOR  
 3-TRACK INSTALLATION DETAILS

DRAWN: V.L. DWG NO. 08-02668 REV -

SCALE NTS DATE 03/30/15 SHEET 6 OF 12

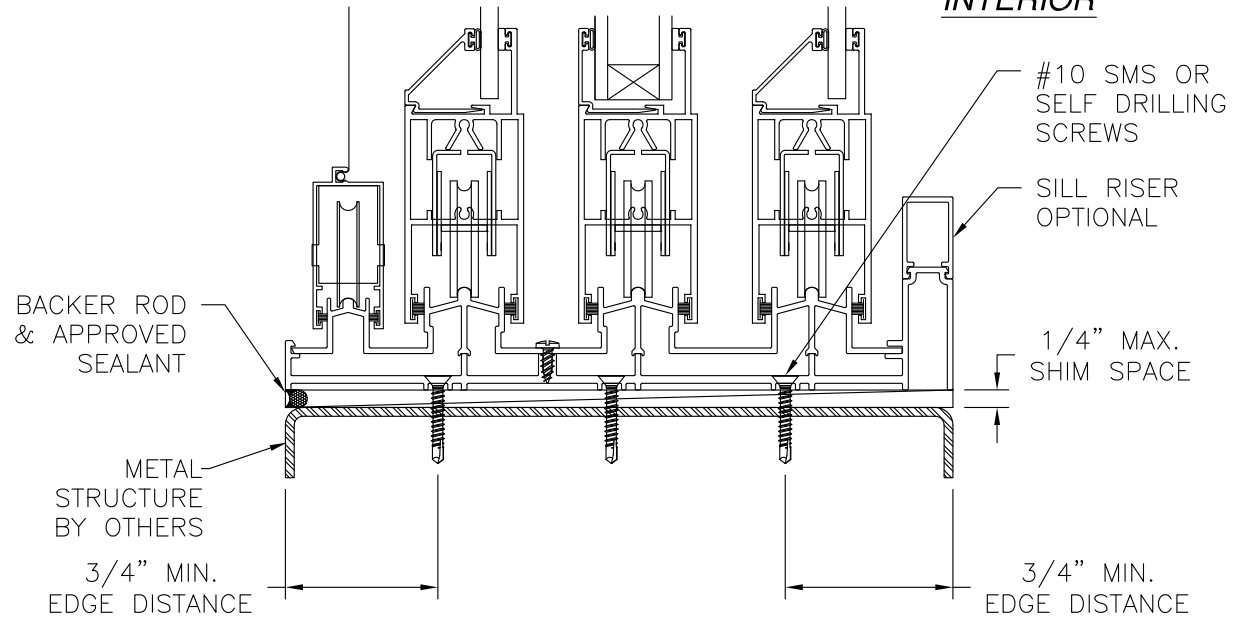


REVISIONS			
REV	DESCRIPTION	DATE	APPROVED

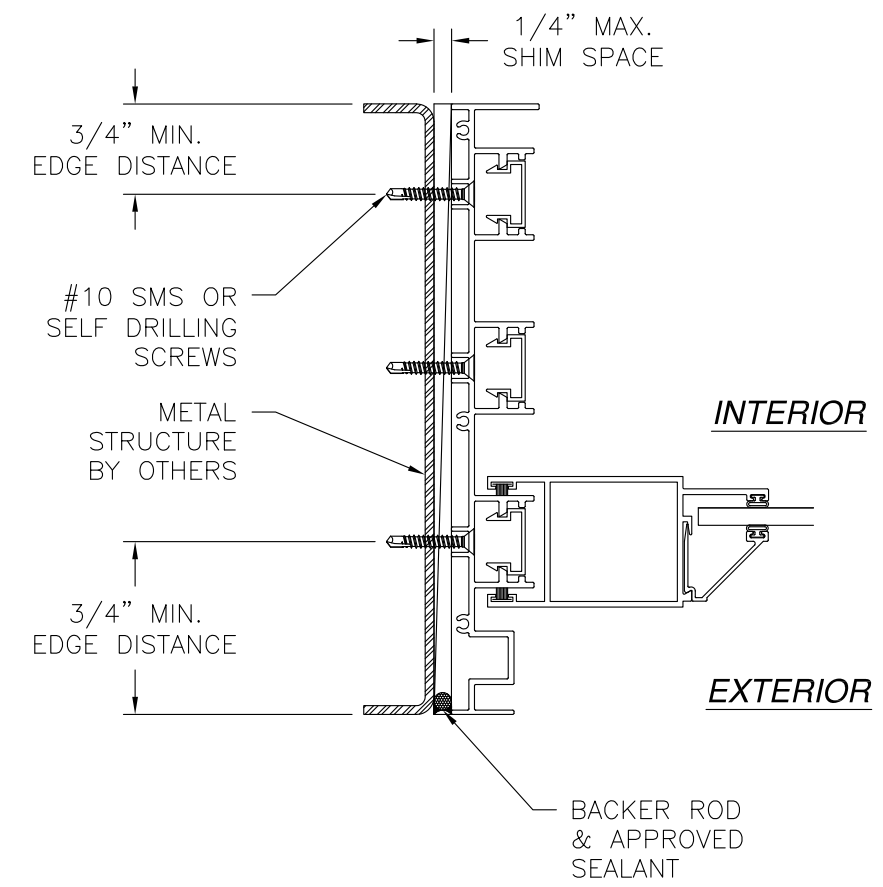


**EXTERIOR**

**INTERIOR**




**VERTICAL CROSS SECTION**  
METAL STRUCTURE INSTALLATION

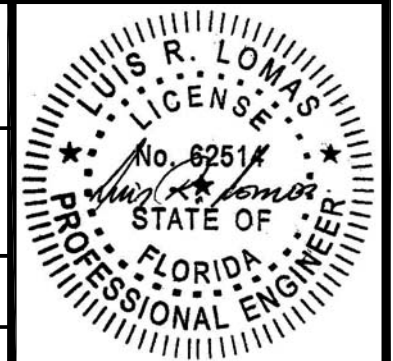


**JAMB INSTALLATION DETAIL**  
METAL STRUCTURE INSTALLATION

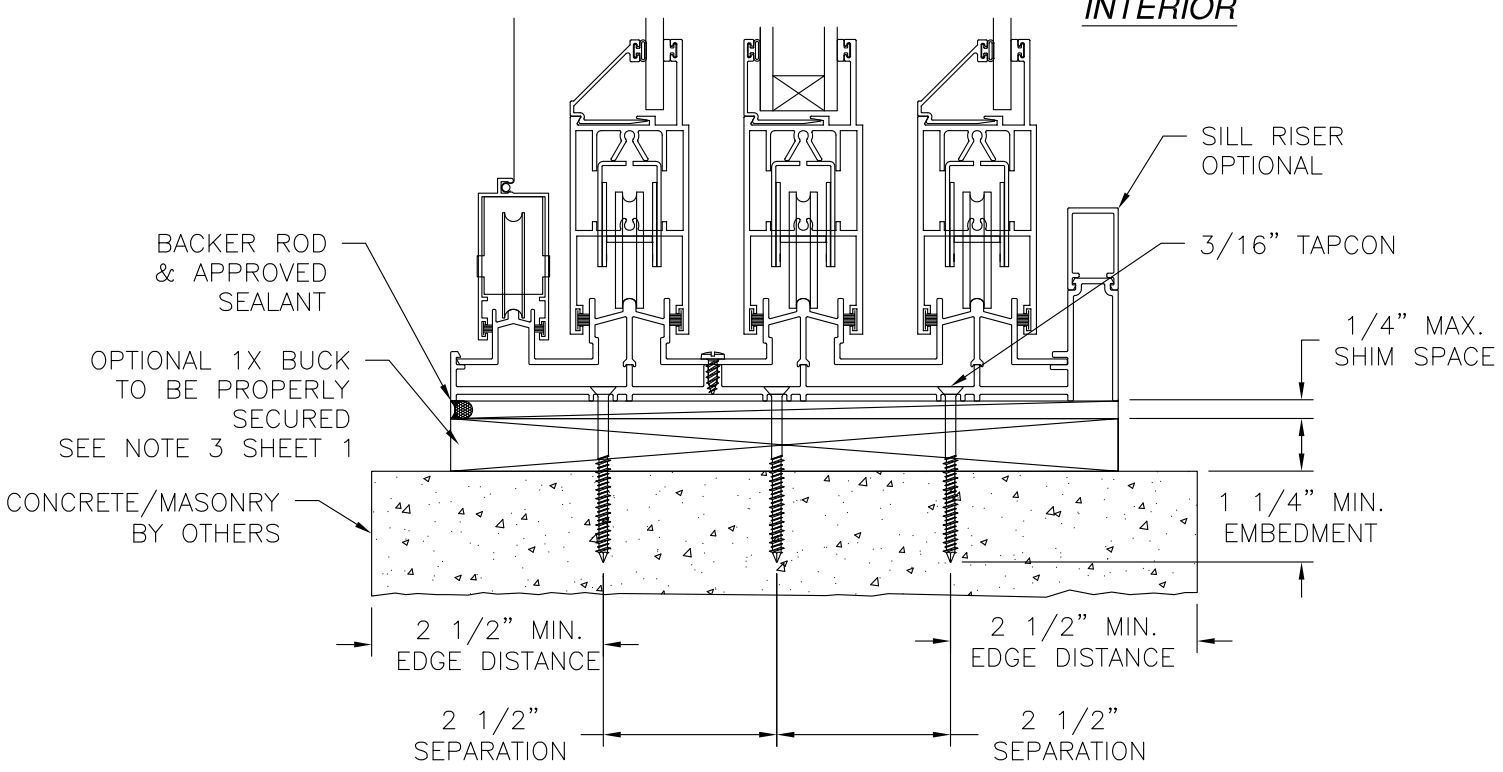
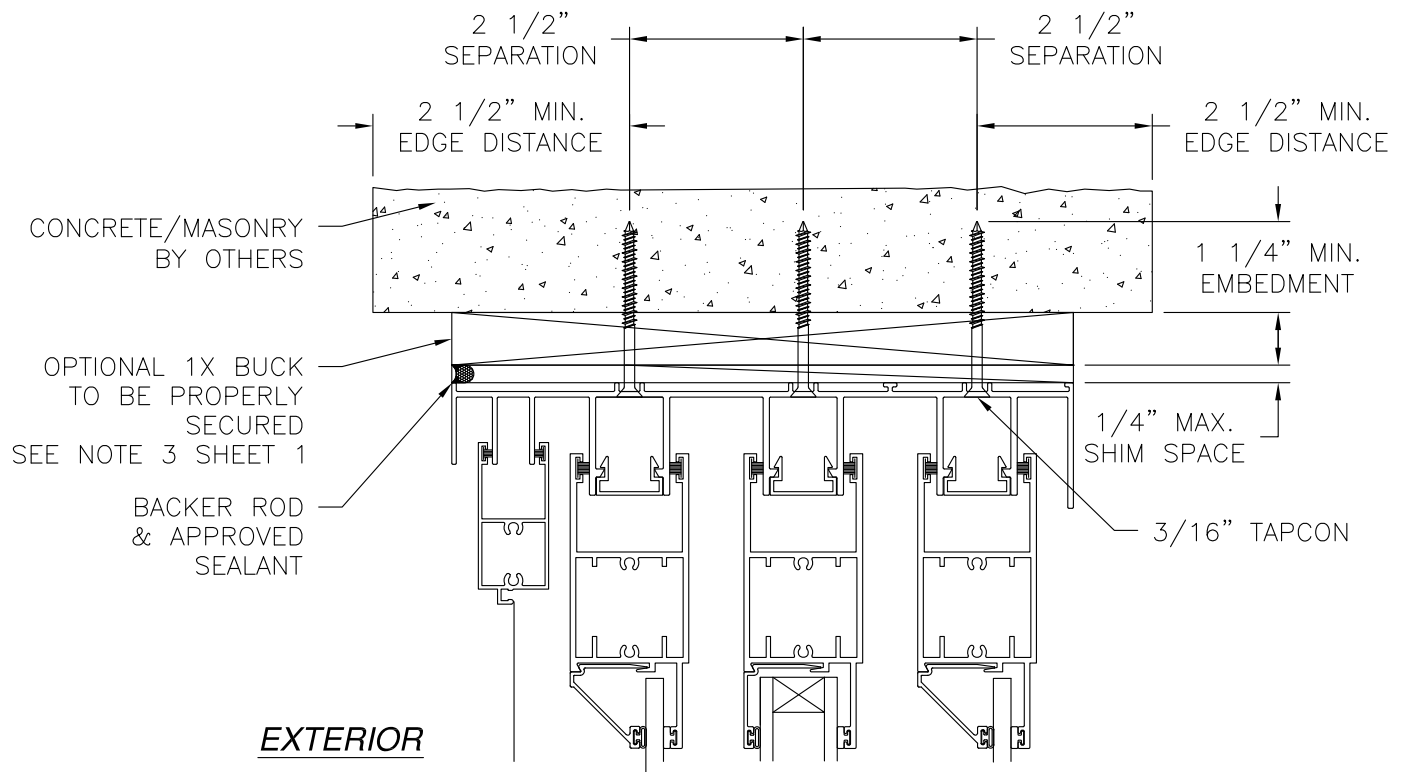
**NOTES:**  
 1. INTERIOR AND EXTERIOR FINISHES, BY OTHERS, NOT SHOWN FOR CLARITY.  
 2. PERIMETER AND JOINT SEALANT BY OTHERS TO BE DESIGNED IN ACCORDANCE WITH ASTM E2112

SIGNED: 04/30/2015

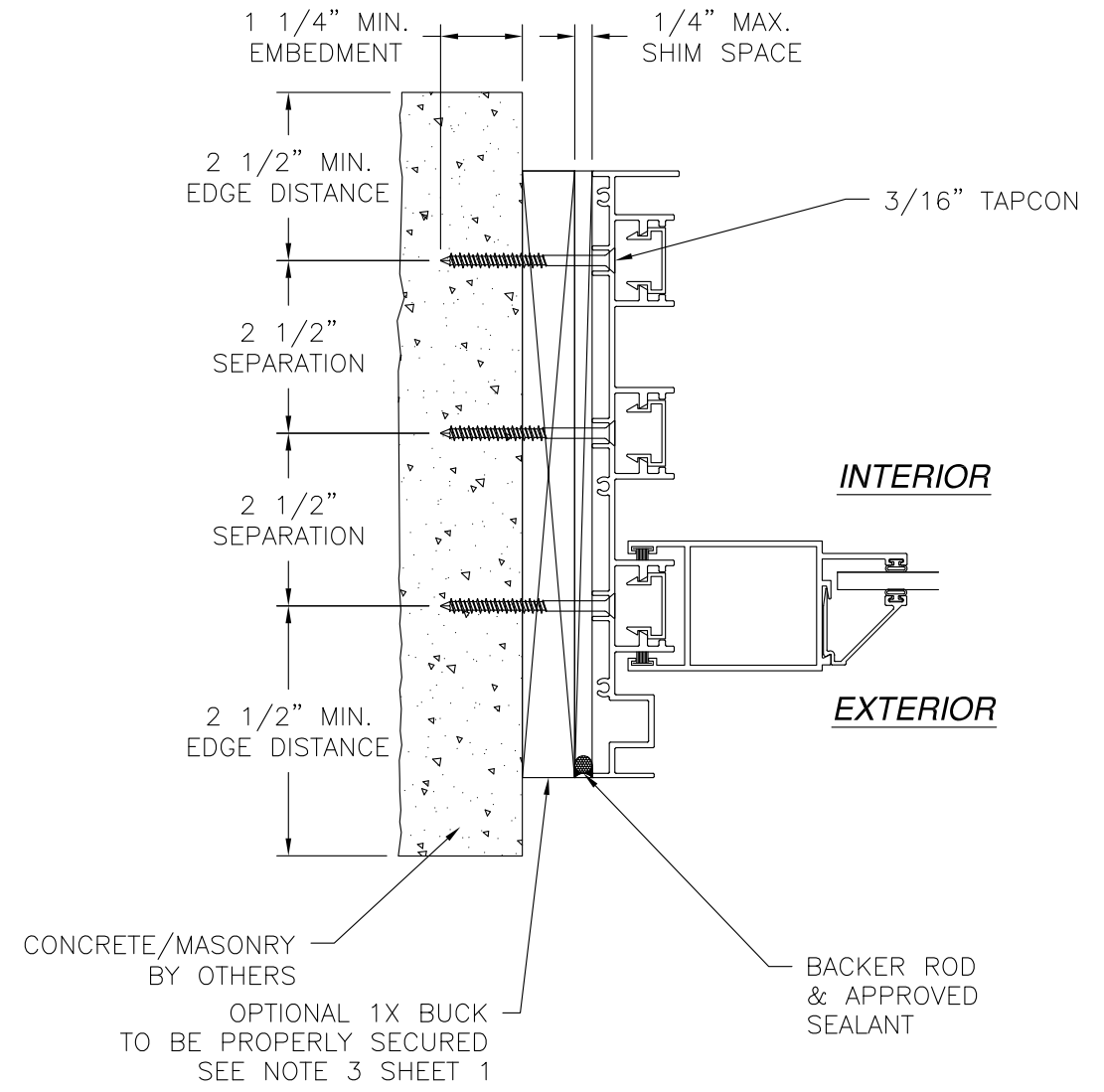
 <b>Eastern</b> ARCHITECTURAL SYSTEMS ALUMINUM AND VINYL IMPACT WINDOWS AND DOORS			EASTERN ARCHITECTURAL SYSTEMS A DIVISION OF EASTERN METAL SUPPLY 16341 DOMESTIC AVE FORT MYERS, FL 33912 800-432-2204		
SERIES 135° FD8100 ALUMINUM SLIDING GLASS POCKET DOOR 3-TRACK INSTALLATION DETAILS					
DRAWN:		DWG NO.		REV	
V.L.		08-02668		-	
SCALE	DATE	SHEET		OF	
NTS	03/30/15	7		12	



REVISIONS			
REV	DESCRIPTION	DATE	APPROVED



**VERTICAL CROSS SECTION**  
CONCRETE/MASONRY INSTALLATION



**JAMB INSTALLATION DETAIL**  
CONCRETE/MASONRY INSTALLATION

- NOTES:**
1. INTERIOR AND EXTERIOR FINISHES, BY OTHERS, NOT SHOWN FOR CLARITY.
  2. PERIMETER AND JOINT SEALANT BY OTHERS TO BE DESIGNED IN ACCORDANCE WITH ASTM E2112

SIGNED: 04/30/2015

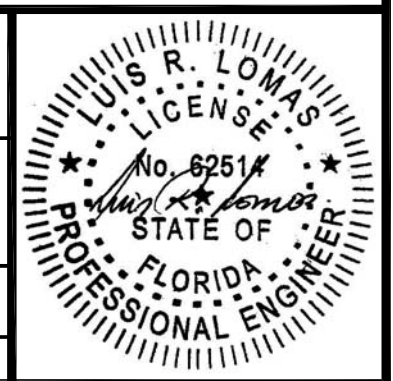
**Eastern**  
ARCHITECTURAL SYSTEMS  
ALUMINUM AND VINYL  
IMPACT WINDOWS AND DOORS

EASTERN ARCHITECTURAL SYSTEMS  
A DIVISION OF  
EASTERN METAL SUPPLY  
16341 DOMESTIC AVE  
FORT MYERS, FL 33912  
800-432-2204

SERIES 135° FD8100  
ALUMINUM SLIDING GLASS POCKET DOOR  
3-TRACK INSTALLATION DETAILS

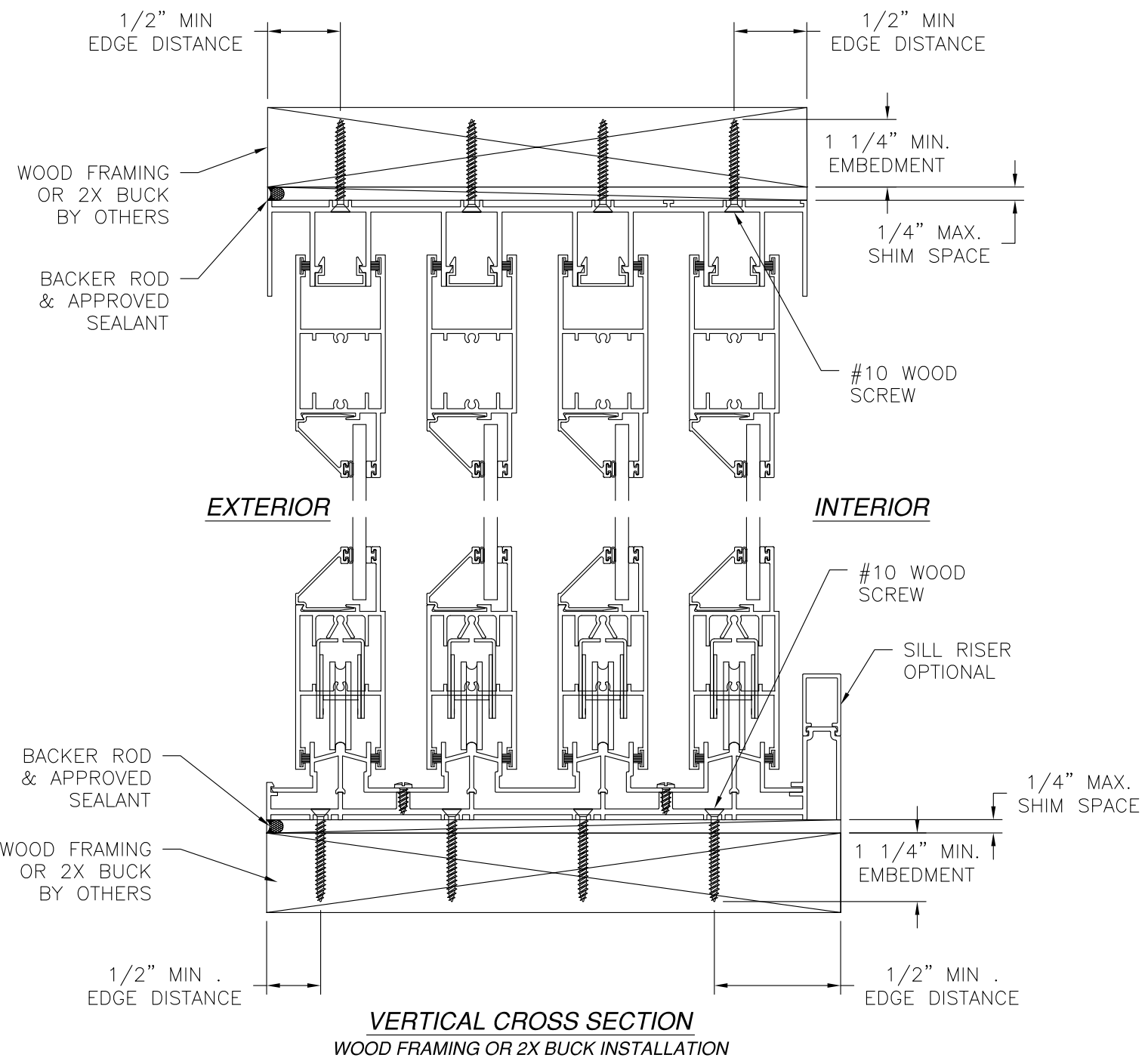
DRAWN: V.L.      DWG NO. 08-02668      REV -

SCALE NTS      DATE 03/30/15      SHEET 8 OF 12

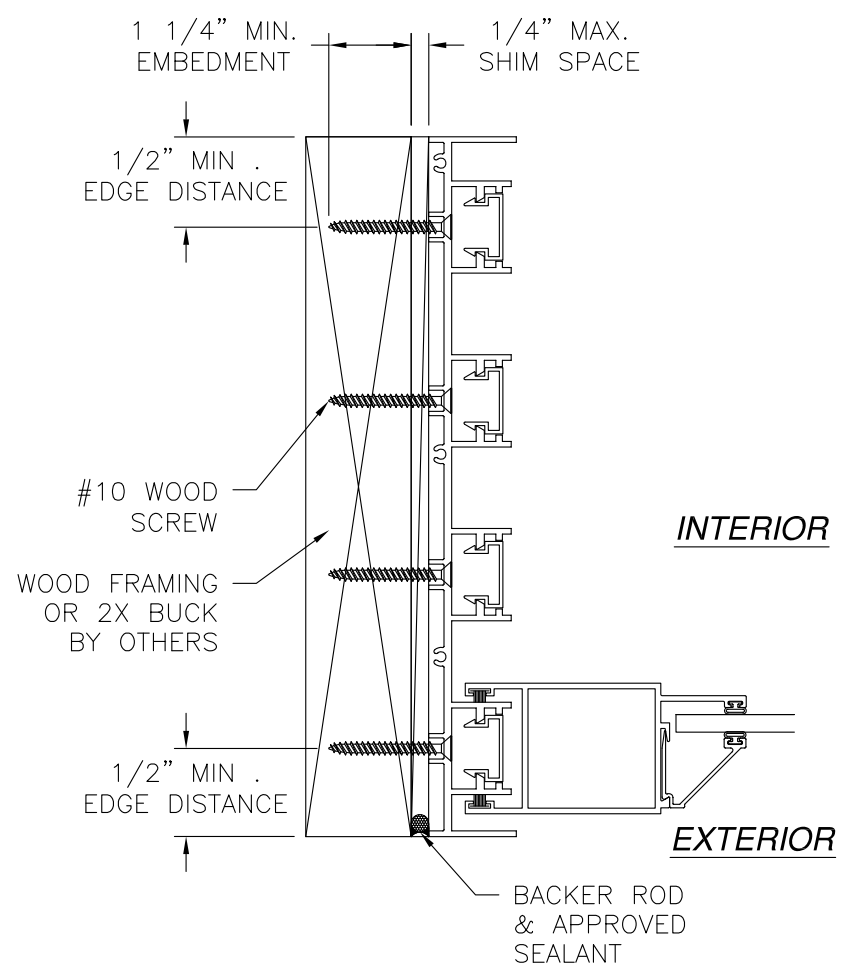




REVISIONS			
REV	DESCRIPTION	DATE	APPROVED



**VERTICAL CROSS SECTION**  
WOOD FRAMING OR 2X BUCK INSTALLATION



**JAMB INSTALLATION DETAIL**  
WOOD FRAMING OR 2X BUCK INSTALLATION

**NOTES:**  
 1. INTERIOR AND EXTERIOR FINISHES, BY OTHERS, NOT SHOWN FOR CLARITY.  
 2. PERIMETER AND JOINT SEALANT BY OTHERS TO BE DESIGNED IN ACCORDANCE WITH ASTM E2112

SIGNED: 04/30/2015

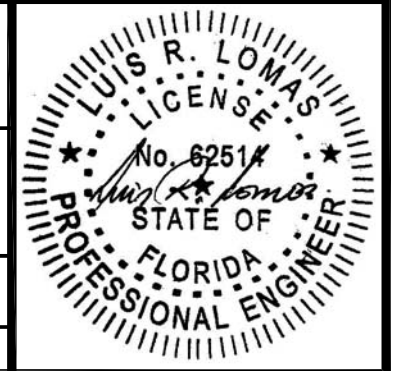
**Eastern**  
 ARCHITECTURAL SYSTEMS  
 ALUMINUM AND VINYL  
 IMPACT WINDOWS AND DOORS

EASTERN ARCHITECTURAL SYSTEMS  
 A DIVISION OF  
 EASTERN METAL SUPPLY  
 16341 DOMESTIC AVE  
 FORT MYERS, FL 33912  
 800-432-2204

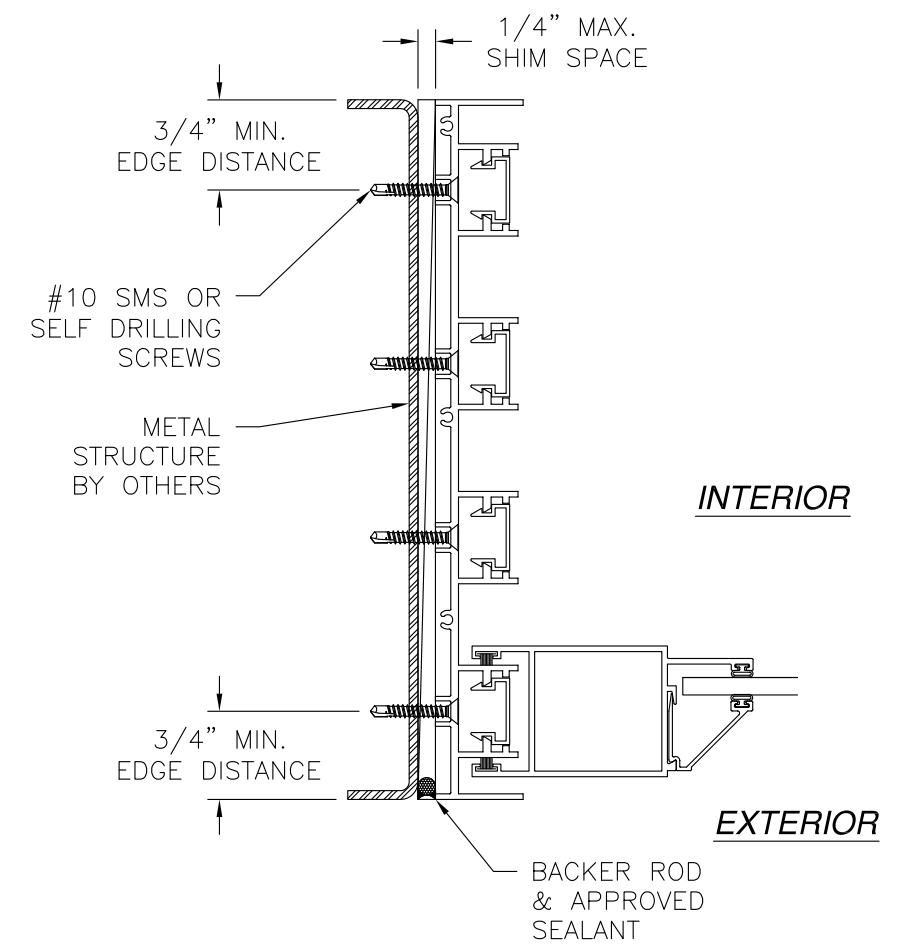
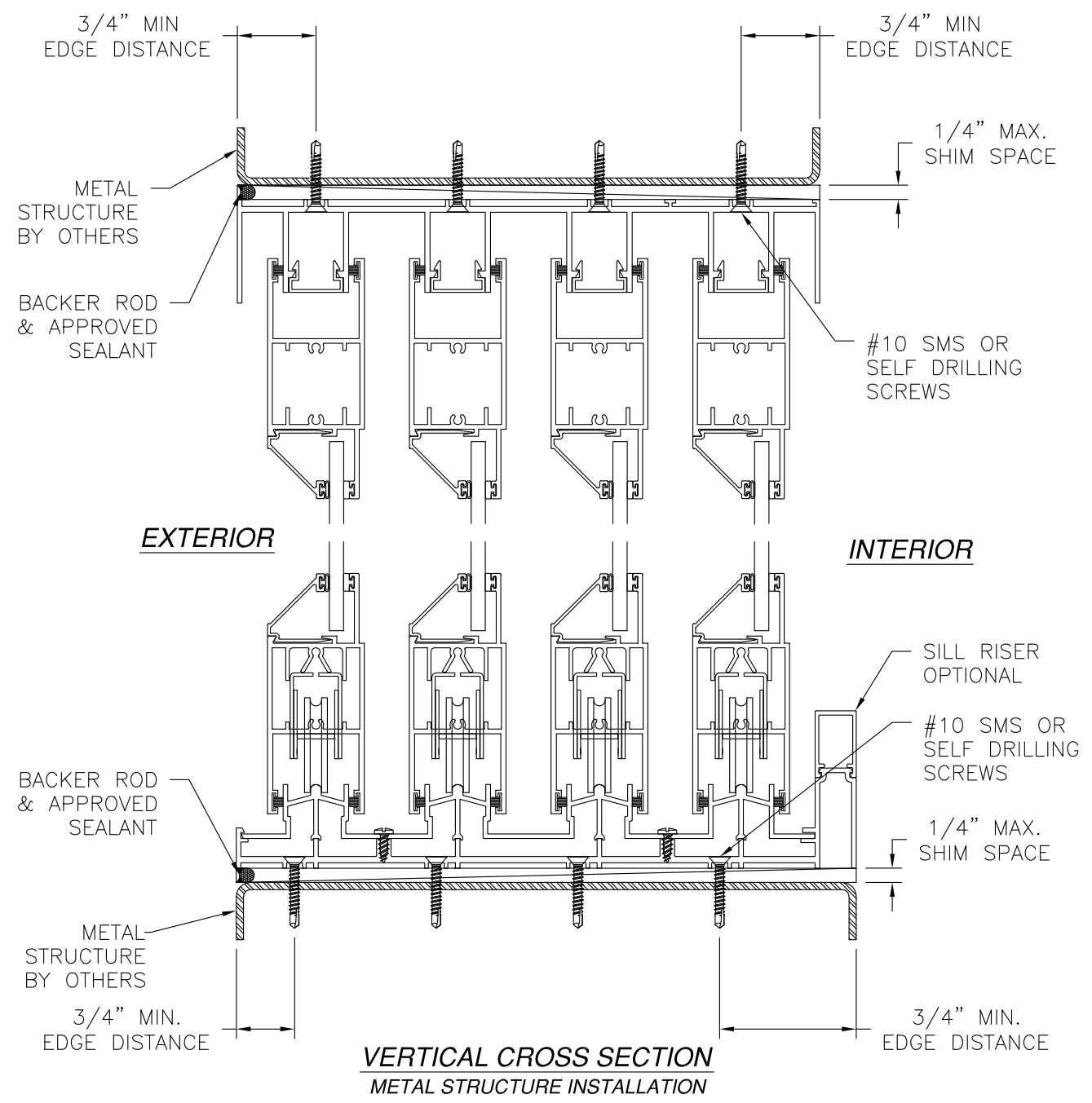
SERIES 135° FD8100  
 ALUMINUM SLIDING GLASS POCKET DOOR  
 4-TRACK INSTALLATION DETAILS

DRAWN: V.L. DWG NO. 08-02668 REV -

SCALE NTS DATE 03/30/15 SHEET 9 OF 12



REVISIONS			
REV	DESCRIPTION	DATE	APPROVED



NOTES:  
 1. INTERIOR AND EXTERIOR FINISHES, BY OTHERS, NOT SHOWN FOR CLARITY.  
 2. PERIMETER AND JOINT SEALANT BY OTHERS TO BE DESIGNED IN ACCORDANCE WITH ASTM E2112

SIGNED: 04/30/2015

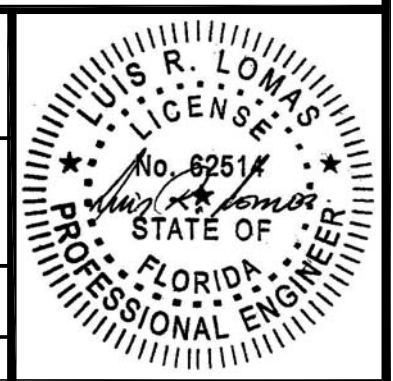
**Eastern**  
ARCHITECTURAL SYSTEMS  
ALUMINUM AND VINYL  
IMPACT WINDOWS AND DOORS

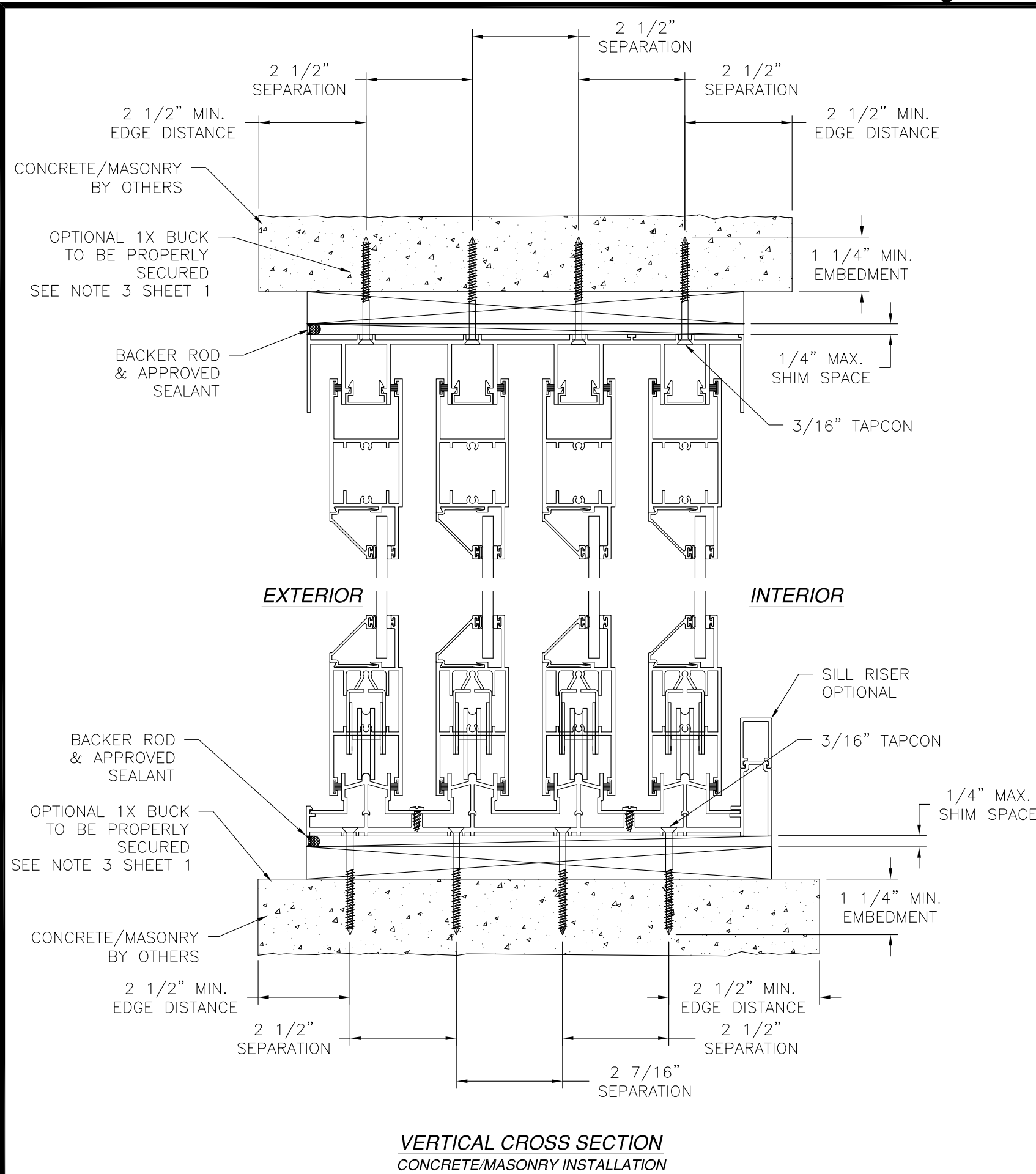
EASTERN ARCHITECTURAL SYSTEMS  
A DIVISION OF  
EASTERN METAL SUPPLY  
16341 DOMESTIC AVE  
FORT MYERS, FL 33912  
800-432-2204

SERIES 135° FD8100  
ALUMINUM SLIDING GLASS POCKET DOOR  
4-TRACK INSTALLATION DETAILS

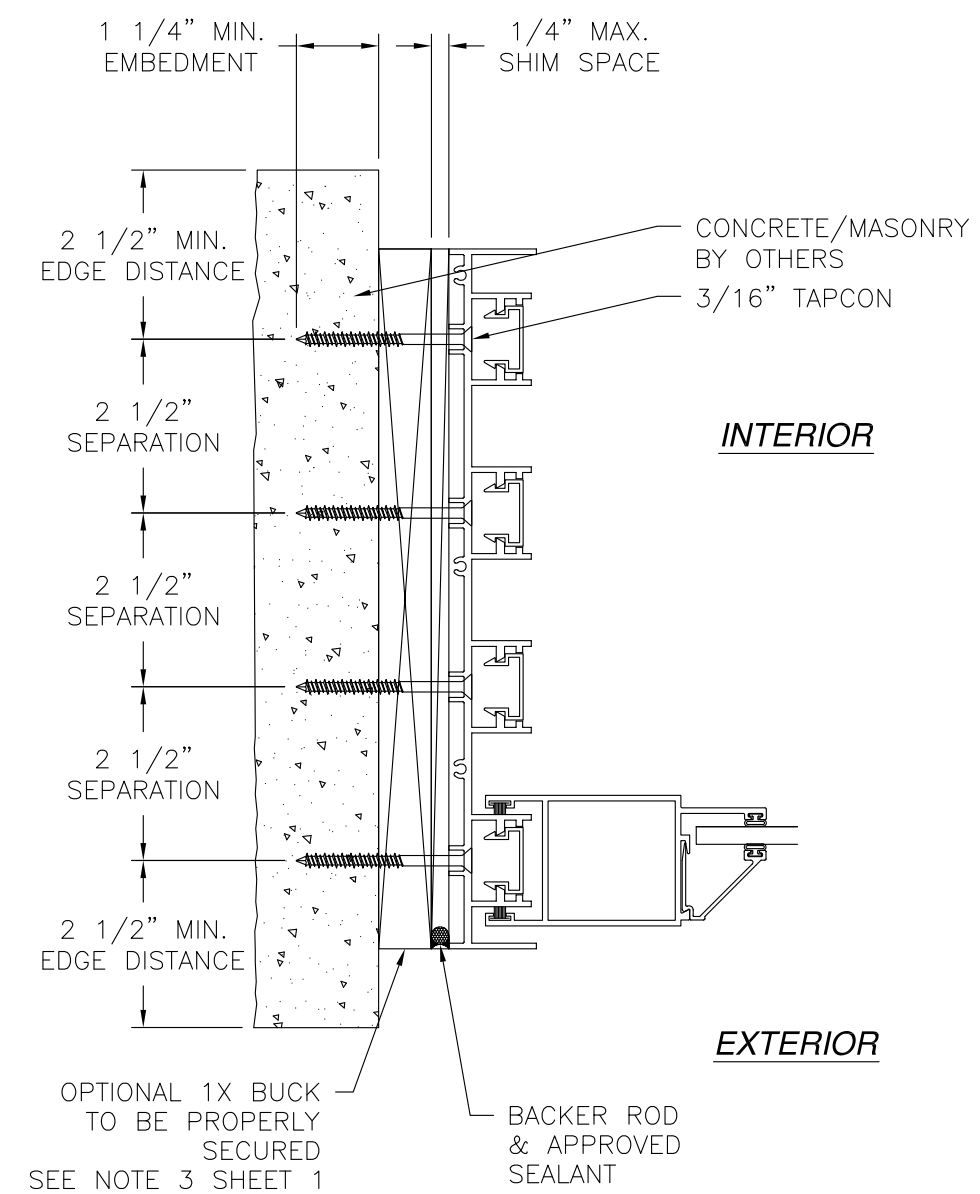
DRAWN: V.L.	DWG NO. 08-02668	REV -
----------------	---------------------	----------

SCALE NTS	DATE 03/30/15	SHEET 10 OF 12
--------------	------------------	-------------------





REVISIONS			
REV	DESCRIPTION	DATE	APPROVED



- NOTES:**
1. INTERIOR AND EXTERIOR FINISHES, BY OTHERS, NOT SHOWN FOR CLARITY.
  2. PERIMETER AND JOINT SEALANT BY OTHERS TO BE DESIGNED IN ACCORDANCE WITH ASTM E2112

SIGNED: 04/30/2015

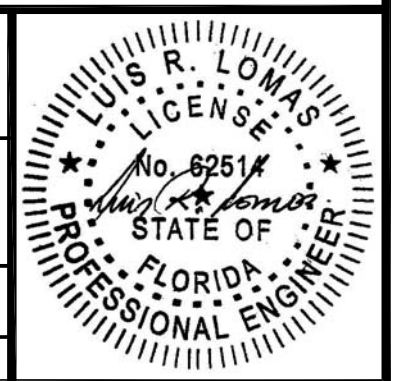
**Eastern**  
ARCHITECTURAL SYSTEMS  
ALUMINUM AND VINYL  
IMPACT WINDOWS AND DOORS

EASTERN ARCHITECTURAL SYSTEMS  
A DIVISION OF  
EASTERN METAL SUPPLY  
16341 DOMESTIC AVE  
FORT MYERS, FL 33912  
800-432-2204

SERIES 135° FD8100  
ALUMINUM SLIDING GLASS POCKET DOOR  
4-TRACK INSTALLATION DETAILS

DRAWN: V.L.	DWG NO. 08-02668	REV -
----------------	---------------------	----------

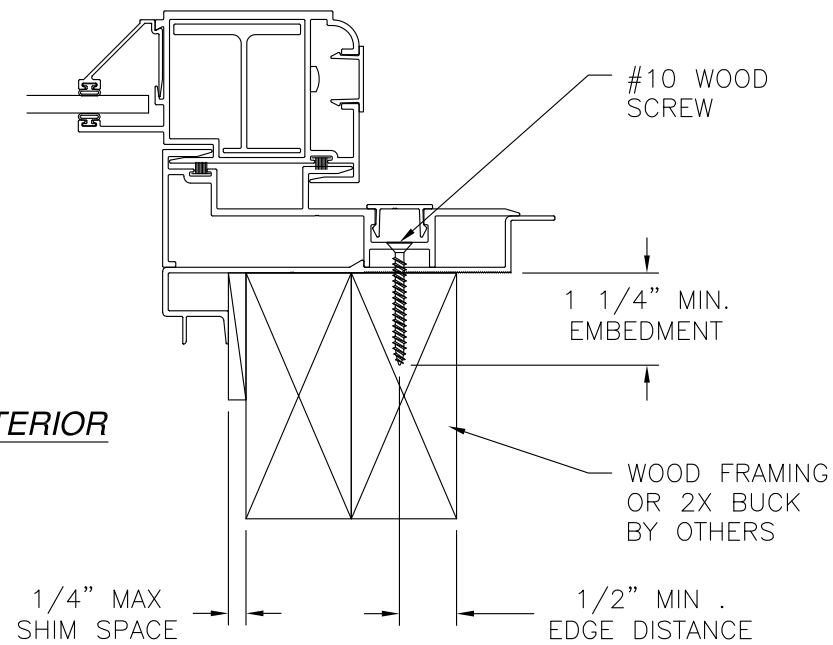
SCALE NTS	DATE 03/30/15	SHEET 11 OF 12
-----------	---------------	----------------



REVISIONS			
REV	DESCRIPTION	DATE	APPROVED

INTERIOR

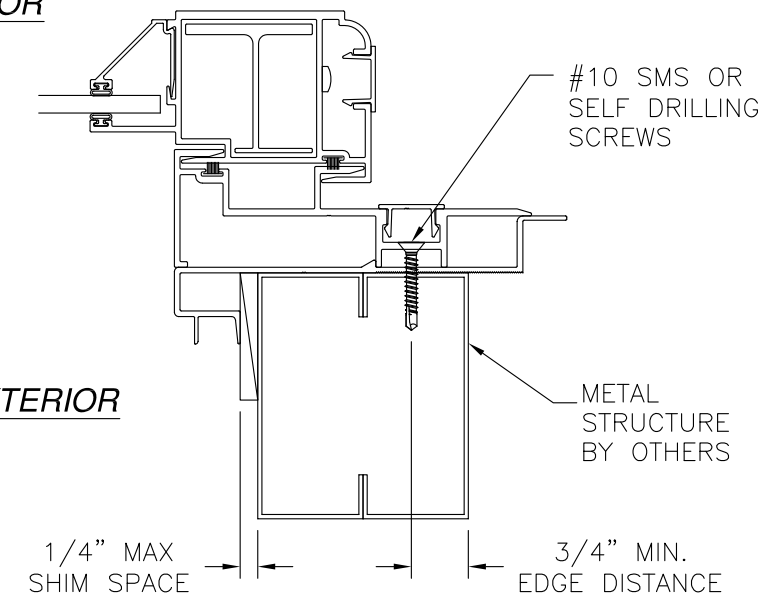
EXTERIOR



**HOOK INSTALLATION DETAIL**  
WOOD FRAMING OR 2X BUCK INSTALLATION

INTERIOR


EXTERIOR



**HOOK INSTALLATION DETAIL**  
METAL STRUCTURE INSTALLATION

- NOTES:
1. INTERIOR AND EXTERIOR FINISHES, BY OTHERS, NOT SHOWN FOR CLARITY.
  2. PERIMETER AND JOINT SEALANT BY OTHERS TO BE DESIGNED IN ACCORDANCE WITH ASTM E2112

SIGNED: 04/30/2015

 <b>Eastern</b> ARCHITECTURAL SYSTEMS ALUMINUM AND VINYL IMPACT WINDOWS AND DOORS		EASTERN ARCHITECTURAL SYSTEMS A DIVISION OF EASTERN METAL SUPPLY 16341 DOMESTIC AVE FORT MYERS, FL 33912 800-432-2204	
SERIES 135° FD8100 ALUMINUM SLIDING GLASS POCKET DOOR HOOK INSTALLATION DETAILS			
DRAWN: V.L.	DWG NO. 08-02668	REV -	
SCALE NTS	DATE 03/30/15	SHEET 12 OF 12	

