

REVISIONS			
REV	DESCRIPTION	DATE	APPROVED
A	REVISED PER NEW REQUIREMENTS	01/09/18	R.L.


NOTES:

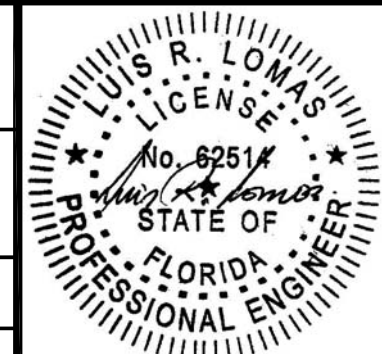
1. THE PRODUCT SHOWN HEREIN IS DESIGNED AND MANUFACTURED TO COMPLY WITH REQUIREMENTS OF THE FLORIDA BUILDING CODE INCLUDING THE HVHZ.
2. WOOD FRAMING AND MASONRY OPENING TO BE DESIGNED AND ANCHORED TO PROPERLY TRANSFER ALL LOADS TO STRUCTURE. FRAMING AND MASONRY OPENING IS THE RESPONSIBILITY OF THE ARCHITECT OR ENGINEER OF RECORD.
3. 1X BUCK OVER MASONRY/CONCRETE IS OPTIONAL. WHERE 1X BUCK IS NOT USED DISSIMILAR MATERIALS MUST BE SEPARATED WITH APPROVED COATING OR MEMBRANE. SELECTION OF COATING OR MEMBRANE IS THE RESPONSIBILITY OF THE ARCHITECT OR ENGINEER OF RECORD.
4. ALLOWABLE STRESS INCREASE OF 1/3 WAS NOT USED IN THE DESIGN OF THE PRODUCT SHOWN HEREIN. WIND LOAD DURATION FACTOR Cd=1.6 WAS USED FOR WOOD ANCHOR CALCULATIONS.
5. FRAME MATERIAL: EXTRUDED ALUMINUM 6063-T6.
6. UNITS MUST BE GLAZED PER ASTM E1300-04/09 SEE SHEET 6 FOR GLASS DETAILS.
7. APPROVED IMPACT PROTECTIVE SYSTEM IS NOT REQUIRED FOR THIS PRODUCT IN WIND BORNE DEBRIS REGIONS.
8. SHIM AS REQUIRED AT EACH INSTALLATION ANCHOR WITH LOAD BEARING SHIM. SHIM WHERE SPACE OF 1/16" OR GREATER OCCURS. MAXIMUM ALLOWABLE SHIM STACK TO BE 1/4".
9. FOR ANCHORING INTO WOOD FRAMING OR 2X BUCK USE #10 WOOD SCREWS WITH SUFFICIENT LENGTH TO ACHIEVE A 1 1/4" MINIMUM EMBEDMENT INTO SUBSTRATE. LOCATE ANCHORS AS SHOWN IN ELEVATIONS AND INSTALLATION DETAILS.
10. FOR ANCHORING INTO MASONRY/CONCRETE USE 3/16" TAPCONS WITH SUFFICIENT LENGTH TO ACHIEVE A 1 1/4" MINIMUM EMBEDMENT INTO SUBSTRATE WITH 2" MINIMUM EDGE DISTANCE. LOCATE ANCHORS AS SHOWN IN ELEVATIONS AND INSTALLATION DETAILS.
11. FOR ANCHORING TROUGH FRAME INTO METAL STRUCTURE USE #10 SMS OR SELF DRILLING SCREWS WITH SUFFICIENT LENGTH TO ACHIEVE 3 THREADS MINIMUM BEYOND STRUCTURE INTERIOR WALL. LOCATE ANCHORS AS SHOWN IN ELEVATIONS AND INSTALLATION DETAILS.

12. ALL FASTENERS TO BE CORROSION RESISTANT.
13. INSTALLATION ANCHORS SHALL BE INSTALLED IN ACCORDANCE WITH ANCHOR MANUFACTURER'S INSTALLATION INSTRUCTIONS AND ANCHORS SHALL NOT BE USED IN SUBSTRATES WITH STRENGTHS LESS THAN THE MINIMUM STRENGTH SPECIFIED BELOW:
 - A. WOOD – MINIMUM SPECIFIC GRAVITY OF G=0.42
 - B. CONCRETE – MINIMUM COMPRESSIVE STRENGTH OF 3,192 PSI.
 - C. MASONRY – STRENGTH CONFORMANCE TO ASTM C-90, GRADE N, TYPE 1 (OR GREATER).
 - D. METAL STRUCTURE: STEEL 18GA, 33KSI OR ALUMINUM 6063-T5 .048" THICK MINIMUM
14. APPROVED CONFIGURATIONS:
 - 2 TRACK: XO, OX, XX, OXO, OXXO, XXXX, PX, XP, PXX, PXXP, PXXXXP.
 - 3 TRACK: XXX, XXO, OXX, XXXXX, OXXXXO, PXXX, XXXP, PXXXXXP.
 - 4 TRACK: XXXX, XXXO, OXXX, XXXXXXX, OXXXXXO, PXXXX, XXXXP, PXXXXXXXP.

SIGNED: 01/09/2018

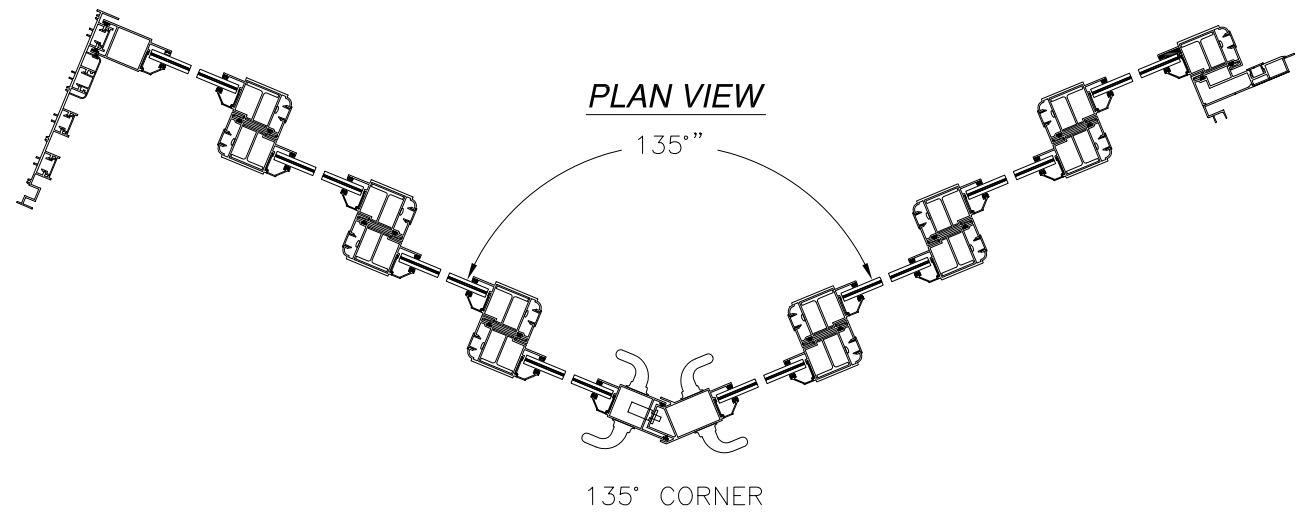
TABLE OF CONTENTS	
SHEET NO.	DESCRIPTION
1	NOTES
2	ELEVATION
3 – 6	INSTALLATION DETAILS

		EASTERN ARCHITECTURAL SYSTEMS A DIVISION OF EASTERN METAL SUPPLY 16341 DOMESTIC AVE FORT MYERS, FL 33912 800-432-2204
SERIES 135° FD8100-LMI ALUMINUM IMPACT RATED SLIDING GLASS POCKET DOOR NOTES		
DRAWN: V.L.	DWG NO. 08-02669	REV A
SCALE NTS	DATE 03/30/15	SHEET 1 OF 6
L. ROBERTO LOMAS P.E. 1432 WOODFORD RD LEWISVILLE, NC 27023 434-688-0609 rllomas@rlomaspe.com		

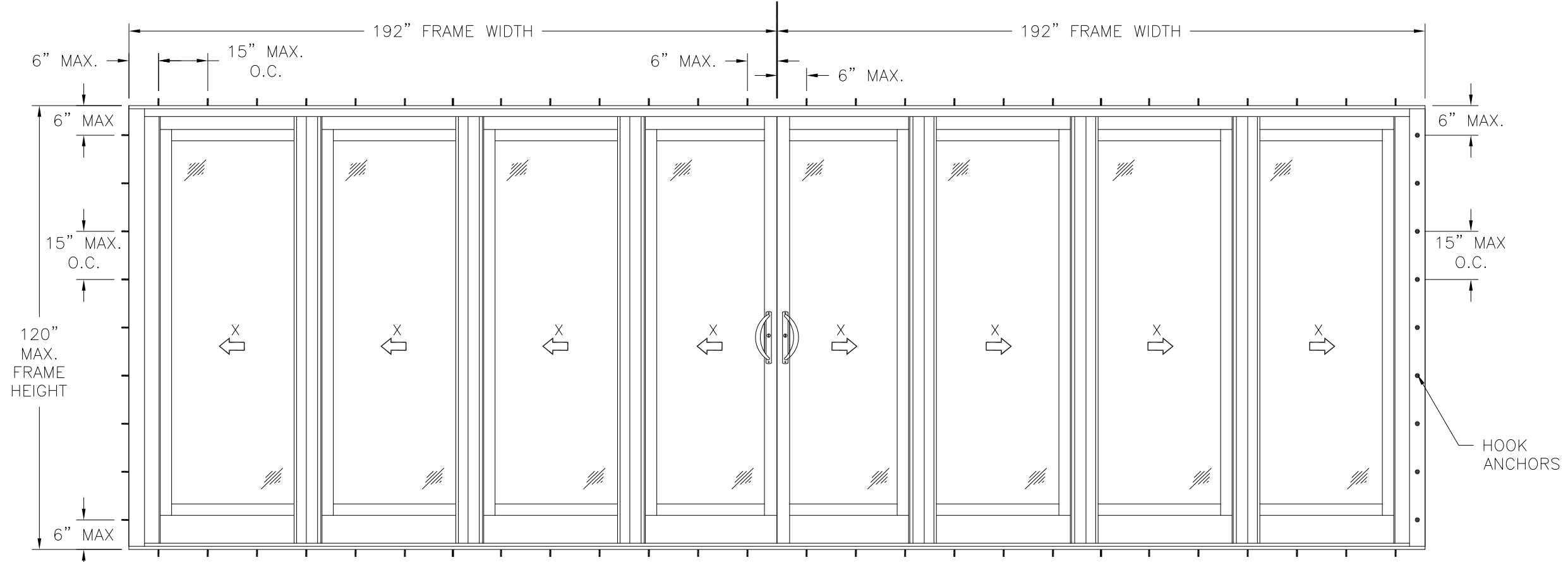


Luis R. Lomas P.E.
FL No.: 62514

REVISIONS			
REV	DESCRIPTION	DATE	APPROVED
A	REVISED PER NEW REQUIREMENTS	01/09/18	R.L.



- NOTES:
- (1) 1" X 3/16" WEEP SLOT 6" FROM EACH END, AND 48" ON CENTER THROUGH VERTICAL SILL LEG EXCEPT MOST INTERIOR SILL LEG.
 - PANEL SIZE: 49 1/2" X 118 1/32"
 - D.L.O.: 40 7/8" X 109 1/4"



SERIES 135° FD8100 ALUMINUM SLIDING GLASS POCKET DOOR
EXTERIOR VIEW

UNLIMITED NUMBER OF PANELS IN UNLIMITED CONFIGURATIONS ARE APPROVED, SEE NOTE 14 IN SHEET 1.
AS LONG AS INDIVIDUAL PANEL AREA DOES NOT EXCEED 40.57FT² AND FRAME AREA DOES NOT EXCEED 480FT²

DESIGN PRESSURE RATING	IMPACT RATING
±50.0PSF	LARGE AND SMALL MISSILE IMPACT

MISSILE LEVEL D, WIND ZONE 4 & HVHZ

HARDWARE SCHEDULE	
A.	(1) ADJUSTABLE TANDEM WHEEL ROLLER ASSEMBLY AT EACH END OF EACH PANEL
B.	(2) 2-POINT MORTISE TYPE LOCKS ON LOCK STILE
C.	(2) MULTI-POINT KEEPERS ON ASTRAGAL STILE AT LOCK POSITIONS
D.	(1) EXTRUDED "H" TYPE ALUMINUM REINFORCEMENT CHANNEL AT EACH PANEL INTERLOCK STILE

Eastern
ARCHITECTURAL SYSTEMS
ALUMINUM AND VINYL
IMPACT WINDOWS AND DOORS

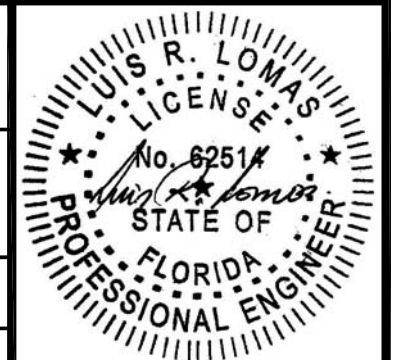
EASTERN ARCHITECTURAL SYSTEMS
A DIVISION OF
EASTERN METAL SUPPLY
16341 DOMESTIC AVE
FORT MYERS, FL 33912
800-432-2204

SERIES 135° FD8100-LMI ALUMINUM
IMPACT RATED SLIDING GLASS POCKET DOOR
ELEVATION

DRAWN: V.L.	DWG NO. 08-02669	REV A
SCALE NTS	DATE 03/30/15	SHEET 2 OF 6

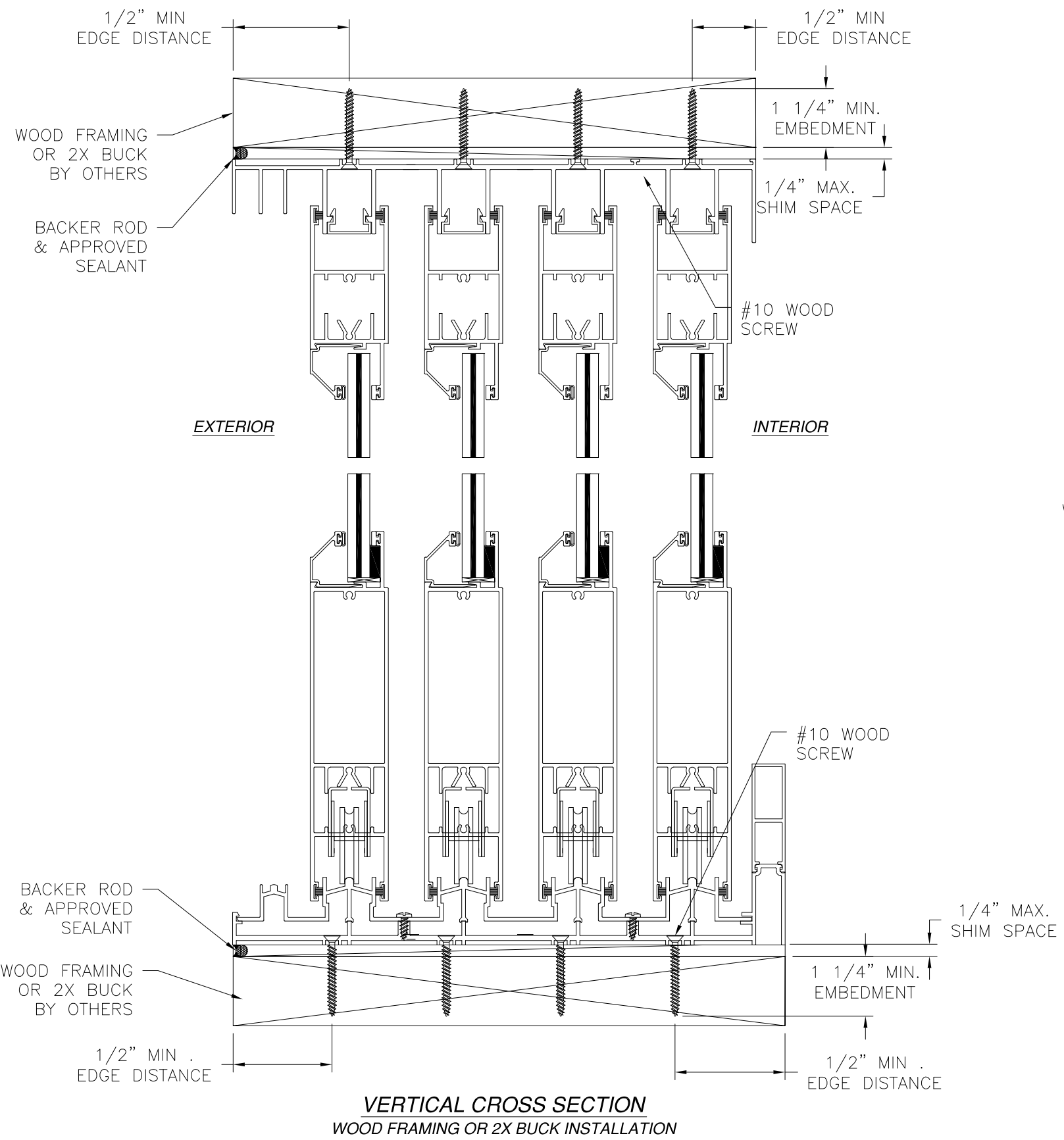
L. ROBERTO LOMAS P.E.
1432 WOODFORD RD LEWISVILLE, NC 27023
434-688-0609 rllomas@lrlomaspe.com

SIGNED: 01/09/2018



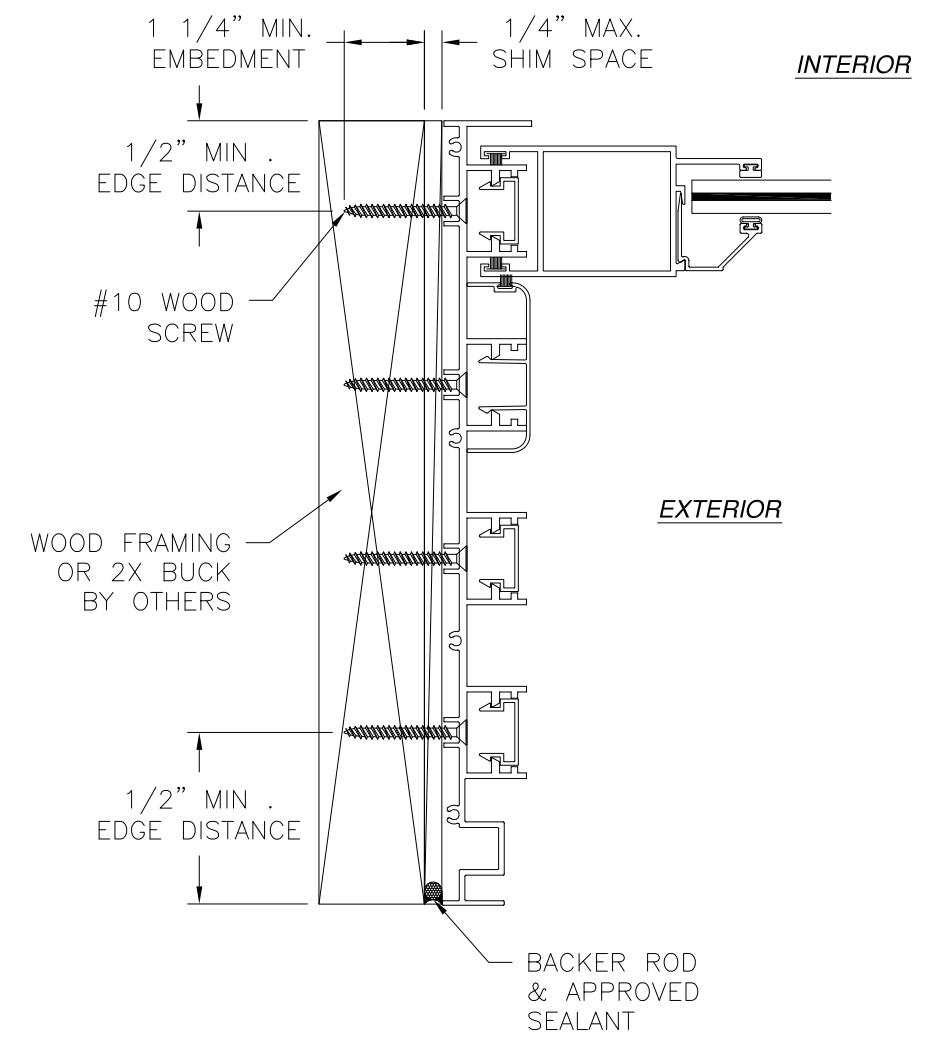
Luis R. Lomas P.E.
FL No.: 62514

REVISIONS			
REV	DESCRIPTION	DATE	APPROVED
A	REVISED PER NEW REQUIREMENTS	01/09/18	R.L.



VERTICAL CROSS SECTION
WOOD FRAMING OR 2X BUCK INSTALLATION

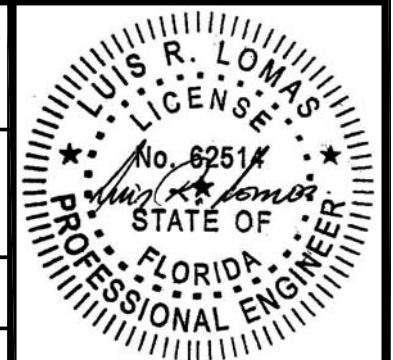
NOTES:
 1. INTERIOR AND EXTERIOR FINISHES, BY OTHERS, NOT SHOWN FOR CLARITY.
 2. PERIMETER AND JOINT SEALANT BY OTHERS TO BE DESIGNED IN ACCORDANCE WITH ASTM E2112



JAMB INSTALLATION DETAIL
WOOD FRAMING OR 2X BUCK INSTALLATION

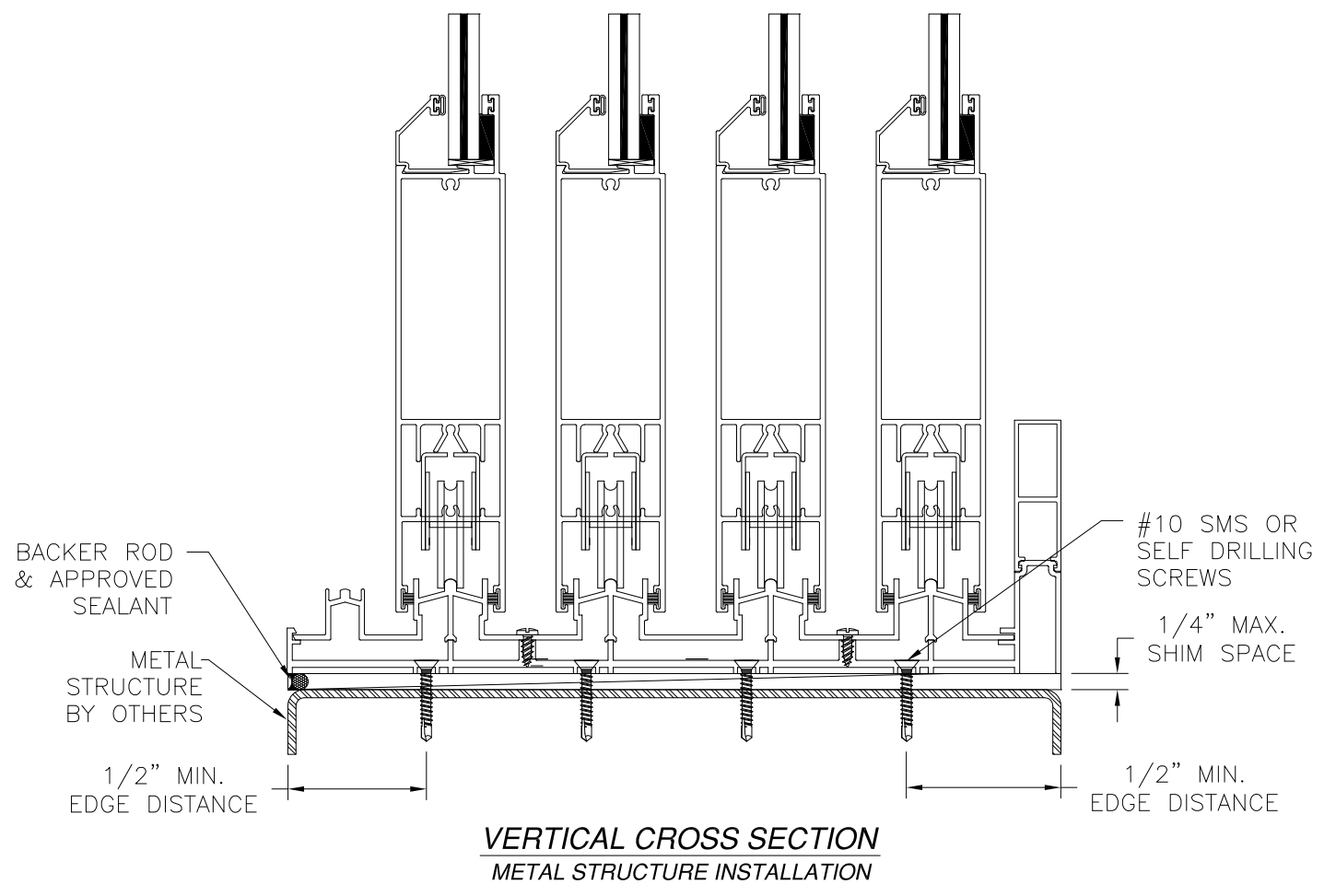
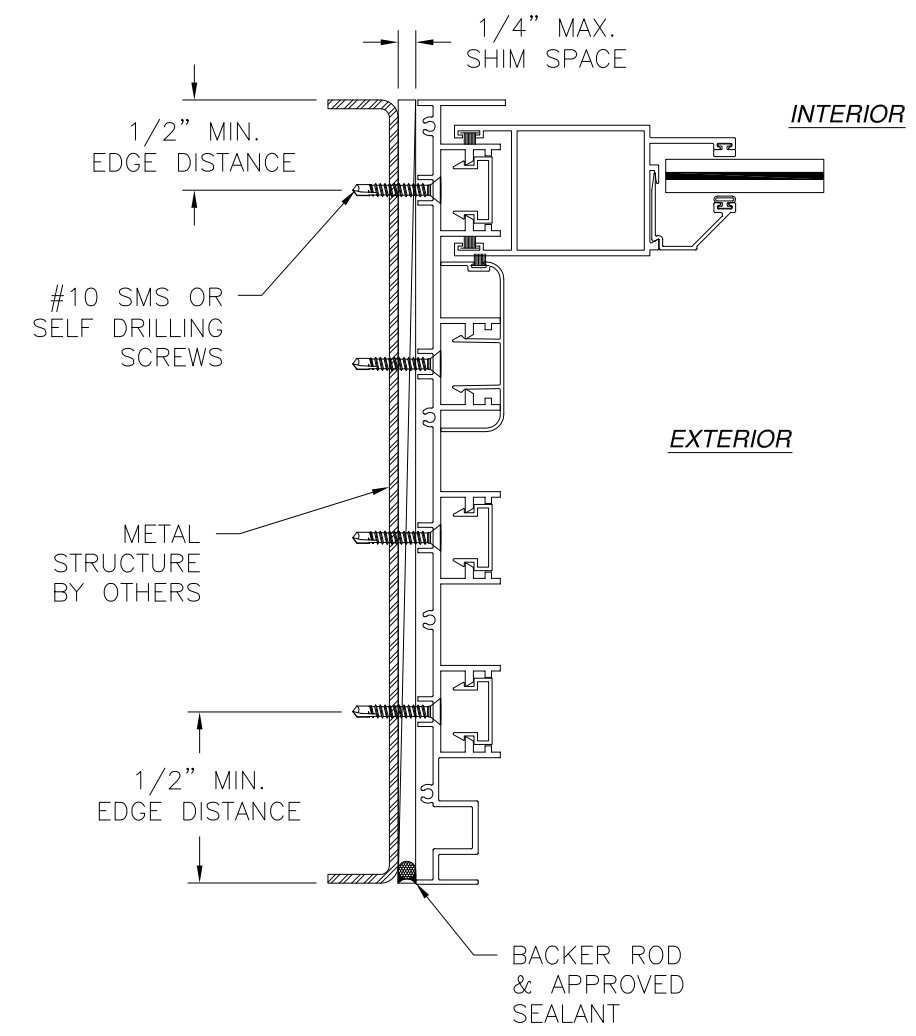
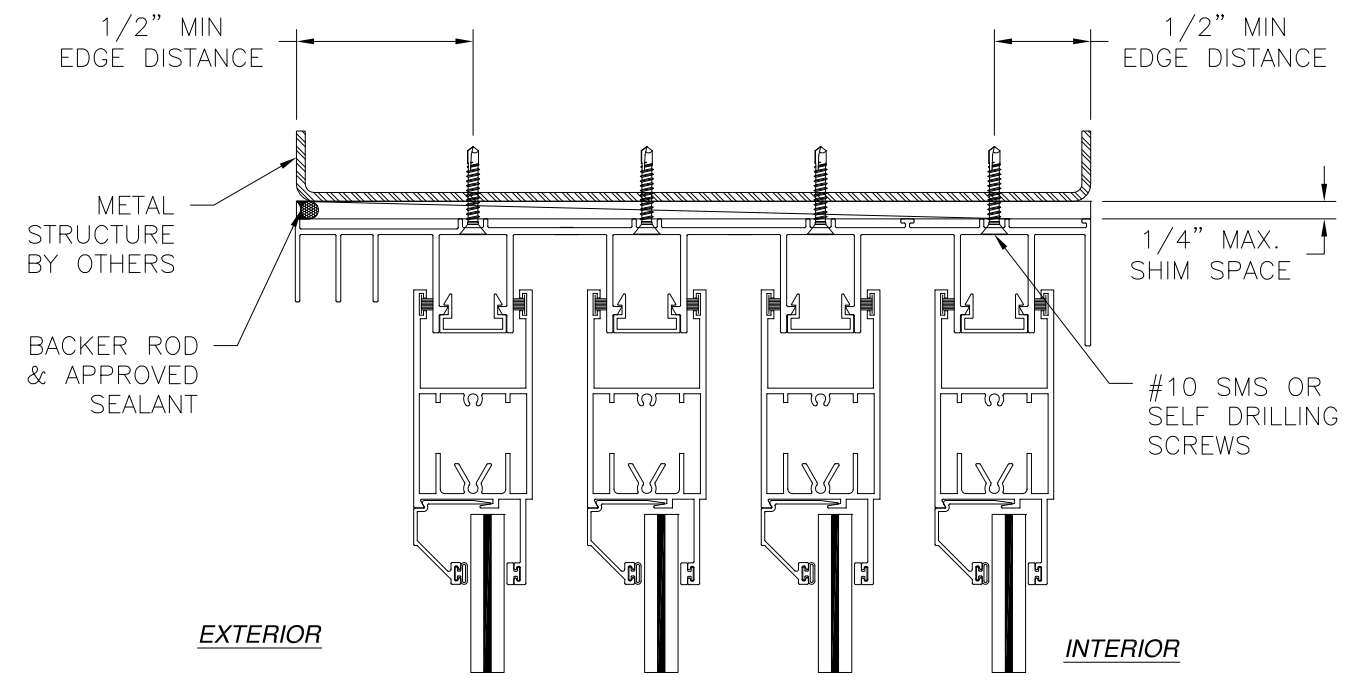
SIGNED: 01/09/2018

		EASTERN ARCHITECTURAL SYSTEMS A DIVISION OF EASTERN METAL SUPPLY 16341 DOMESTIC AVE FORT MYERS, FL 33912 800-432-2204	
SERIES 135° FD8100-LMI ALUMINUM IMPACT RATED SLIDING GLASS POCKET DOOR INSTALLATION DETAILS			
DRAWN: V.L.	DWG NO. 08-02669	REV A	
SCALE NTS	DATE 03/30/15	SHEET 3 OF 6	
L. ROBERTO LOMAS P.E. 1432 WOODFORD RD LEWISVILLE, NC 27023 434-688-0609 rllomas@rlomaspe.com			



Luis R. Lomas P.E.
FL No.: 62514

REVISIONS			
REV	DESCRIPTION	DATE	APPROVED
A	REVISED PER NEW REQUIREMENTS	01/09/18	R.L.



JAMB INSTALLATION DETAIL
METAL STRUCTURE INSTALLATION

VERTICAL CROSS SECTION
METAL STRUCTURE INSTALLATION

NOTES:
 1. INTERIOR AND EXTERIOR FINISHES, BY OTHERS, NOT SHOWN FOR CLARITY.
 2. PERIMETER AND JOINT SEALANT BY OTHERS TO BE DESIGNED IN ACCORDANCE WITH ASTM E2112

SIGNED: 01/09/2018

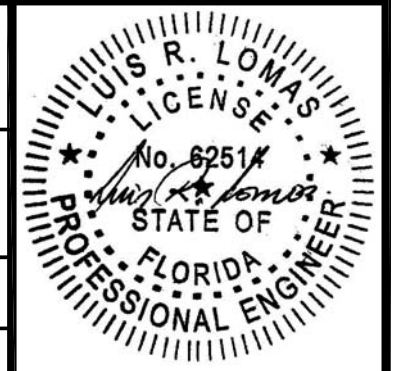


EASTERN ARCHITECTURAL SYSTEMS
A DIVISION OF
EASTERN METAL SUPPLY
16341 DOMESTIC AVE
FORT MYERS, FL 33912
800-432-2204

SERIES 135° FD8100-LMI ALUMINUM
IMPACT RATED SLIDING GLASS POCKET DOOR
INSTALLATION DETAILS

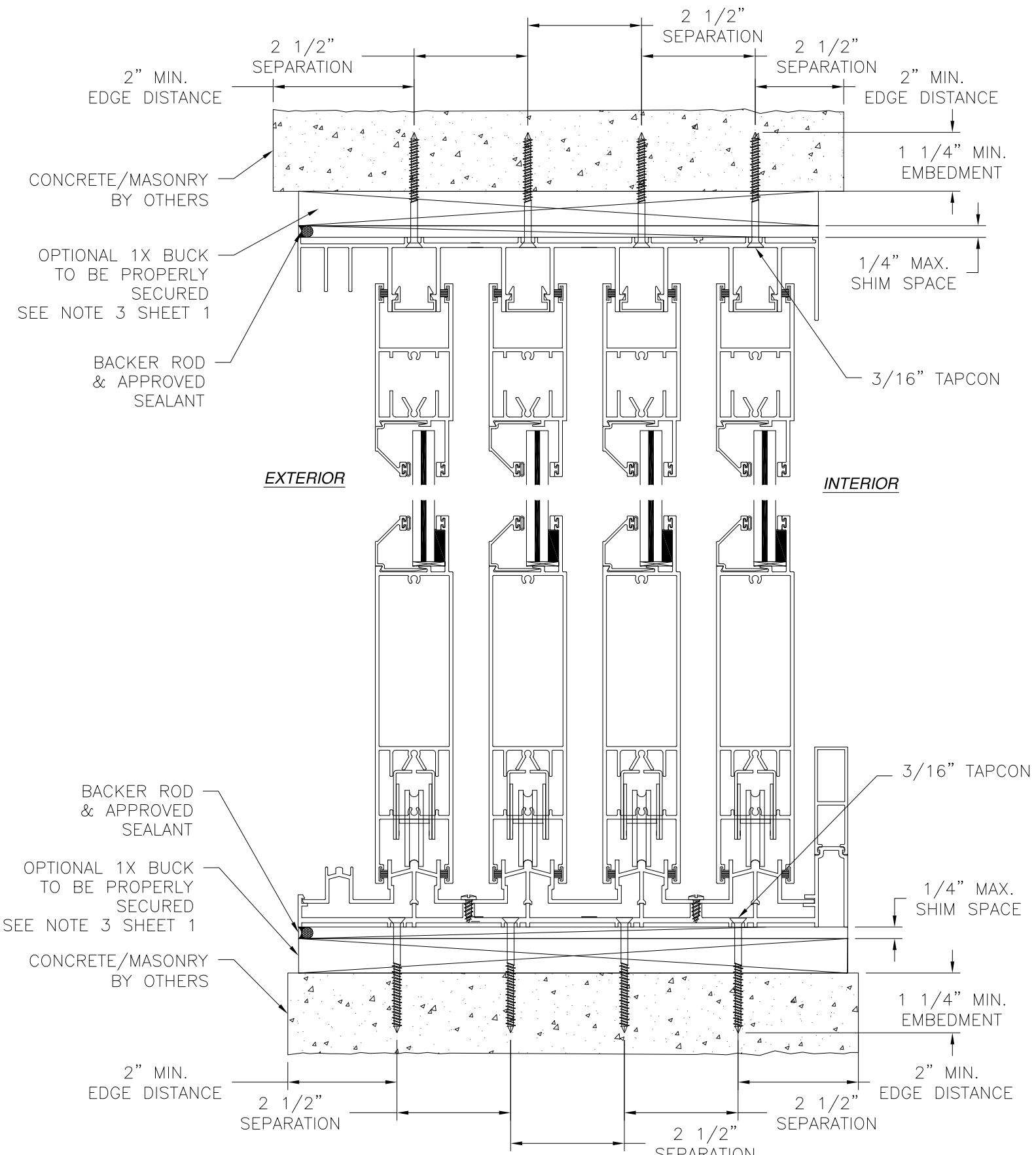
DRAWN: V.L.	DWG NO. 08-02669	REV A
SCALE NTS	DATE 03/30/15	SHEET 4 OF 6

L. ROBERTO LOMAS P.E.
1432 WOODFORD RD LEWISVILLE, NC 27023
434-688-0609 rllomas@rlomaspe.com



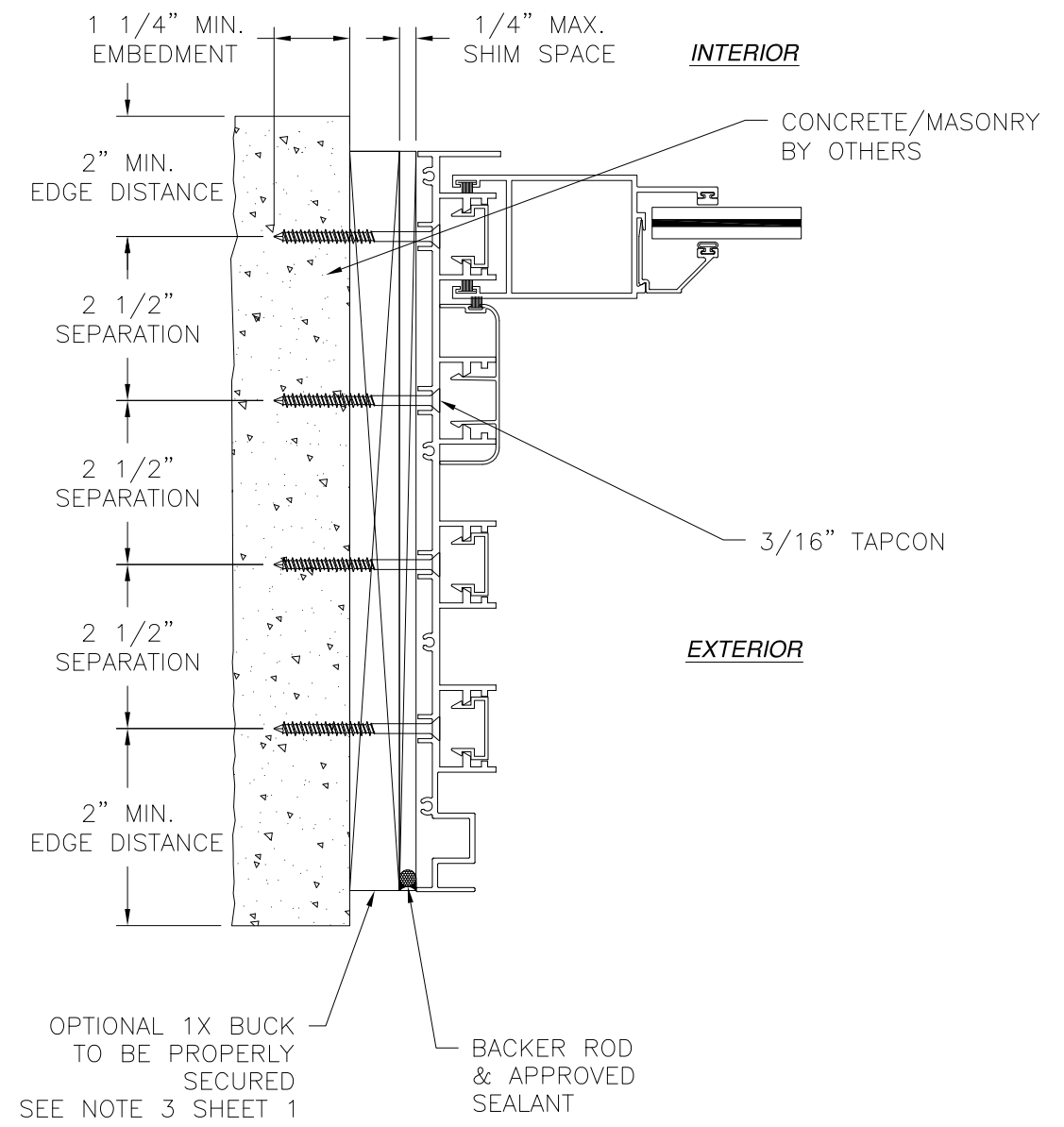
Luis R. Lomas P.E.
FL No.: 62514

REVISIONS			
REV	DESCRIPTION	DATE	APPROVED
A	REVISED PER NEW REQUIREMENTS	01/09/18	R.L.



**VERTICAL CROSS SECTION
CONCRETE/MASONRY INSTALLATION**

NOTES:
 1. INTERIOR AND EXTERIOR FINISHES, BY OTHERS, NOT SHOWN FOR CLARITY.
 2. PERIMETER AND JOINT SEALANT BY OTHERS TO BE DESIGNED IN ACCORDANCE WITH ASTM E2112



**JAMB INSTALLATION DETAIL
CONCRETE/MASONRY INSTALLATION**

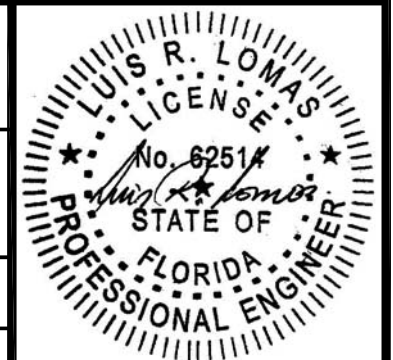
SIGNED: 01/09/2018

Eastern ARCHITECTURAL SYSTEMS
 ALUMINUM AND VINYL IMPACT WINDOWS AND DOORS
 EASTERN ARCHITECTURAL SYSTEMS
 A DIVISION OF
 EASTERN METAL SUPPLY
 16341 DOMESTIC AVE
 FORT MYERS, FL 33912
 800-432-2204

SERIES 135° FD8100-LMI ALUMINUM
 IMPACT RATED SLIDING GLASS POCKET DOOR
 INSTALLATION DETAILS

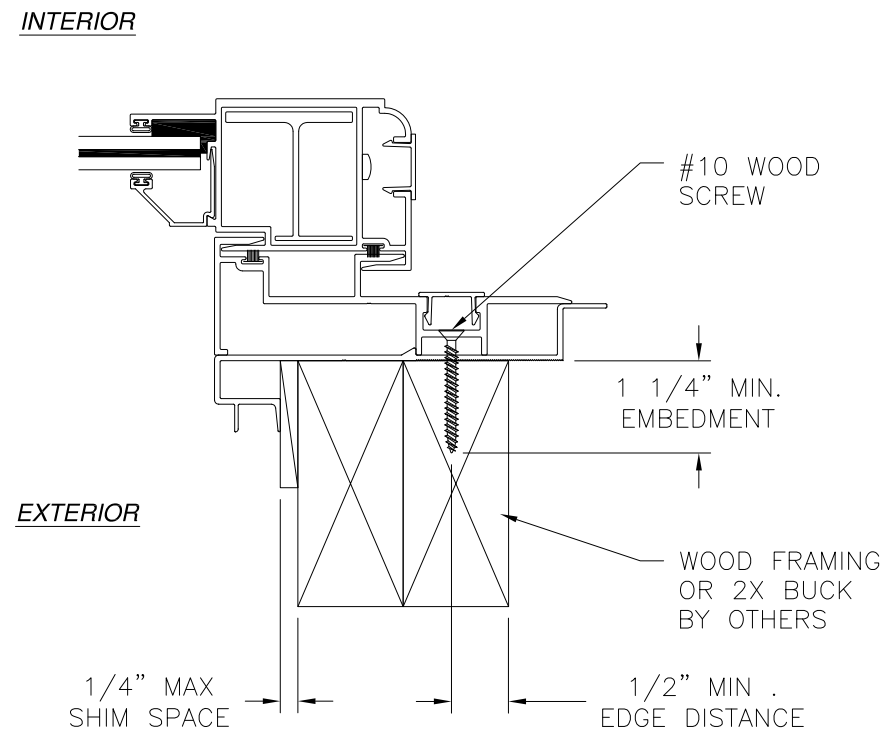
DRAWN: V.L.	DWG NO. 08-02669	REV A
SCALE NTS	DATE 03/30/15	SHEET 5 OF 6

L. ROBERTO LOMAS P.E.
 1432 WOODFORD RD LEWISVILLE, NC 27023
 434-688-0609 rllomas@rlomaspe.com

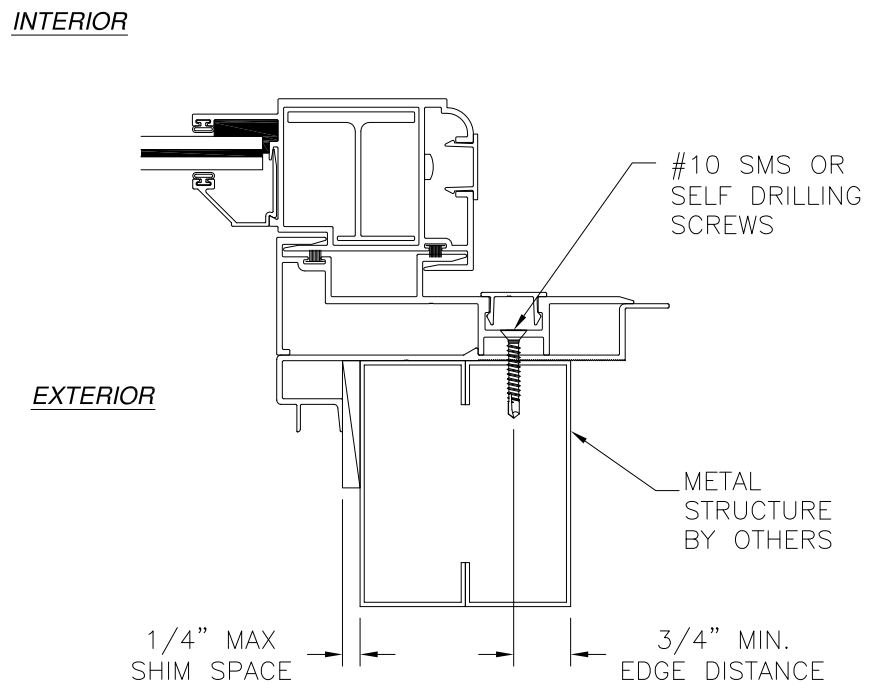


Luis R. Lomas P.E.
 FL No.: 62514

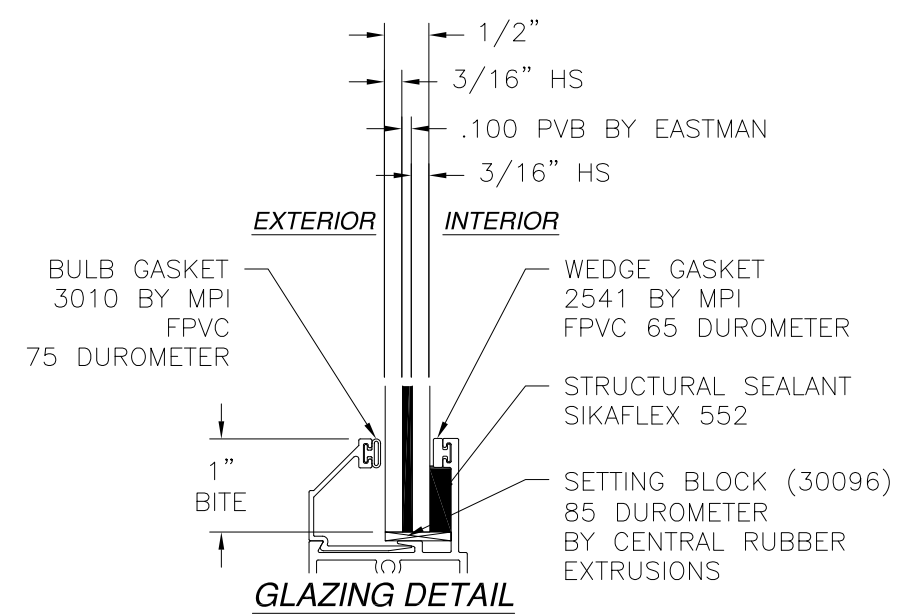
REVISIONS			
REV	DESCRIPTION	DATE	APPROVED
A	REVISED PER NEW REQUIREMENTS	01/09/18	R.L.



HOOK INSTALLATION DETAIL
WOOD FRAMING OR 2X BUCK INSTALLATION



HOOK INSTALLATION DETAIL
METAL STRUCTURE INSTALLATION

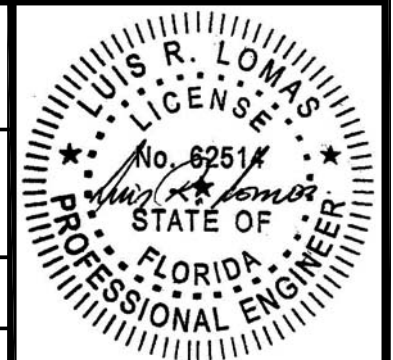


GLAZING DETAIL

NOTES:
 1. INTERIOR AND EXTERIOR FINISHES, BY OTHERS, NOT SHOWN FOR CLARITY.
 2. PERIMETER AND JOINT SEALANT BY OTHERS TO BE DESIGNED IN ACCORDANCE WITH ASTM E2112

		EASTERN ARCHITECTURAL SYSTEMS A DIVISION OF EASTERN METAL SUPPLY 16341 DOMESTIC AVE FORT MYERS, FL 33912 800-432-2204	
SERIES 135° FD8100-LMI ALUMINUM IMPACT RATED SLIDING GLASS POCKET DOOR INSTALLATION DETAILS			
DRAWN: V.L.	DWG NO. 08-02669	REV A	
SCALE NTS	DATE 03/30/15	SHEET 6 OF 6	
L. ROBERTO LOMAS P.E. 1432 WOODFORD RD LEWISVILLE, NC 27023 434-688-0609 rllomas@rlomaspe.com			

SIGNED: 01/09/2018



Luis R. Lomas P.E.
FL No.: 62514