

| REVISIONS | | | |
|-----------|-------------|------|----------|
| REV | DESCRIPTION | DATE | APPROVED |


NOTES:

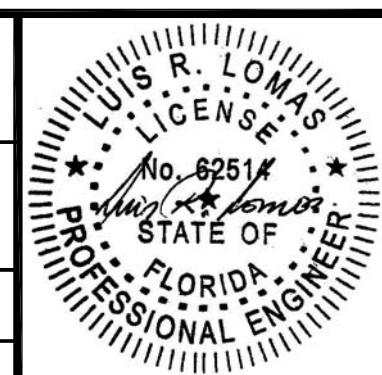
1. THE PRODUCT SHOWN HEREIN IS DESIGNED AND MANUFACTURED TO COMPLY WITH REQUIREMENTS OF THE FLORIDA BUILDING CODE.
2. WOOD FRAMING AND MASONRY OPENING TO BE DESIGNED AND ANCHORED TO PROPERLY TRANSFER ALL LOADS TO STRUCTURE. FRAMING AND MASONRY OPENING IS THE RESPONSIBILITY OF THE ARCHITECT OR ENGINEER OF RECORD.
3. 1X BUCK OVER MASONRY/CONCRETE IS OPTIONAL. WHERE 1X BUCK IS NOT USED DISSIMILAR MATERIALS MUST BE SEPARATED WITH APPROVED COATING OR MEMBRANE. SELECTION OF COATING OR MEMBRANE IS THE RESPONSIBILITY OF THE ARCHITECT OR ENGINEER OF RECORD.
4. ALLOWABLE STRESS INCREASE OF 1/3 WAS NOT USED IN THE DESIGN OF THE PRODUCT SHOWN HEREIN. WIND LOAD DURATION FACTOR Cd=1.6 WAS USED FOR WOOD ANCHOR CALCULATIONS.
5. FRAME MATERIAL: EXTRUDED ALUMINUM 6063-T6.
6. UNITS MUST BE GLAZED PER ASTM E1300-04, WITH SAFETY GLAZING.
7. APPROVED IMPACT PROTECTIVE SYSTEM IS REQUIRED FOR THIS PRODUCT IN WIND BORNE DEBRIS REGIONS.
8. SHIM AS REQUIRED AT EACH INSTALLATION ANCHOR WITH LOAD BEARING SHIM. SHIM WHERE SPACE OF 1/16" OR GREATER OCCURS. MAXIMUM ALLOWABLE SHIM STACK TO BE 1/4".
9. FOR ANCHORING INTO WOOD FRAMING OR 2X BUCK USE #14 WOOD SCREWS WITH SUFFICIENT LENGTH TO ACHIEVE A 1 7/16" MINIMUM EMBEDMENT INTO SUBSTRATE. LOCATE ANCHORS AS SHOWN IN ELEVATIONS AND INSTALLATION DETAILS.
10. FOR ANCHORING INTO MASONRY/CONCRETE USE 1/4" TAPCONS WITH SUFFICIENT LENGTH TO ACHIEVE A 1 1/4" MINIMUM EMBEDMENT INTO SUBSTRATE WITH 2 1/2" MINIMUM EDGE DISTANCE. LOCATE ANCHORS AS SHOWN IN ELEVATIONS AND INSTALLATION DETAILS.
11. FOR ANCHORING TROUGH FRAME INTO METAL STRUCTURE USE #14 SMS OR SELF DRILLING SCREWS WITH SUFFICIENT LENGTH TO ACHIEVE 3 THREADS MINIMUM BEYOND STRUCTURE INTERIOR WALL. LOCATE ANCHORS AS SHOWN IN ELEVATIONS AND INSTALLATION DETAILS.
12. ALL FASTENERS TO BE CORROSION RESISTANT.

13. INSTALLATION ANCHORS SHALL BE INSTALLED IN ACCORDANCE WITH ANCHOR MANUFACTURER'S INSTALLATION INSTRUCTIONS AND ANCHORS SHALL NOT BE USED IN SUBSTRATES WITH STRENGTHS LESS THAN THE MINIMUM STRENGTH SPECIFIED BELOW:
 - A. WOOD – MINIMUM SPECIFIC GRAVITY OF G=0.42
 - B. CONCRETE – MINIMUM COMPRESSIVE STRENGTH OF 3,192 PSI.
 - C. MASONRY – STRENGTH CONFORMANCE TO ASTM C-90, GRADE N, TYPE 1 (OR GREATER).
 - D. METAL STRUCTURE: STEEL 18GA, 33KSI OR ALUMINUM 6063-T5 1/8" THICK MINIMUM
14. APPROVED CONFIGURATION:
 - 2 TRACK: XX, OX, XO, OXO, XXO, OXX, OXXO, XXXX, PX, XP, PXX, XXP, PXXP
 - 3 TRACK: XXXX, XXO, OXX, XXX, OXXO, XXXO, OXXX, PXXX, XXXP
 - 4 TRACK: OXXX, XXXO, XXXX, PXXXX, XXXXP

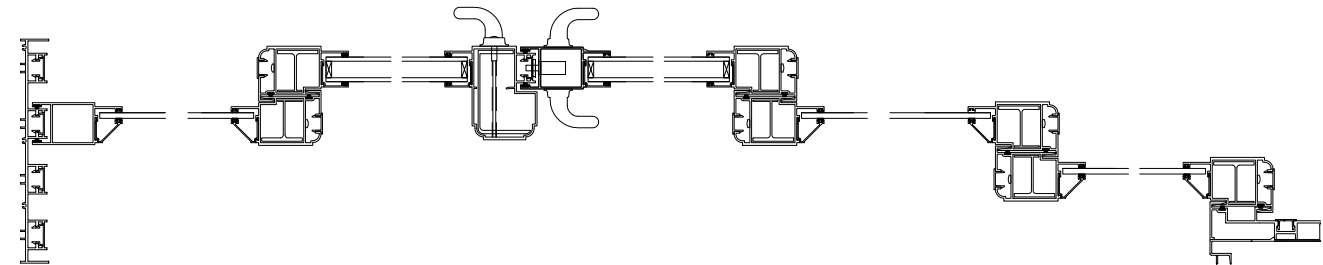
SIGNED: 04/30/2015

| TABLE OF CONTENTS | |
|-------------------|----------------------|
| SHEET NO. | DESCRIPTION |
| 1 | NOTES |
| 2 | ELEVATION |
| 3 - 12 | INSTALLATION DETAILS |

| | | | |
|---|--|--|--|
|  Eastern ARCHITECTURAL SYSTEMS ALUMINUM AND VINYL IMPACT WINDOWS AND DOORS | | EASTERN ARCHITECTURAL SYSTEMS A DIVISION OF EASTERN METAL SUPPLY 16341 DOMESTIC AVE FORT MYERS, FL 33912 800-432-2204 | |
| SERIES FD8100-NI ALUMINUM SLIDING GLASS POCKET DOOR NOTES | | | |
| DRAWN: V.L. | | DWG NO. 08-02671 | |
| SCALE NTS | | DATE 03/30/15 | |
| | | REV - | |
| | | SHEET 1 OF 12 | |



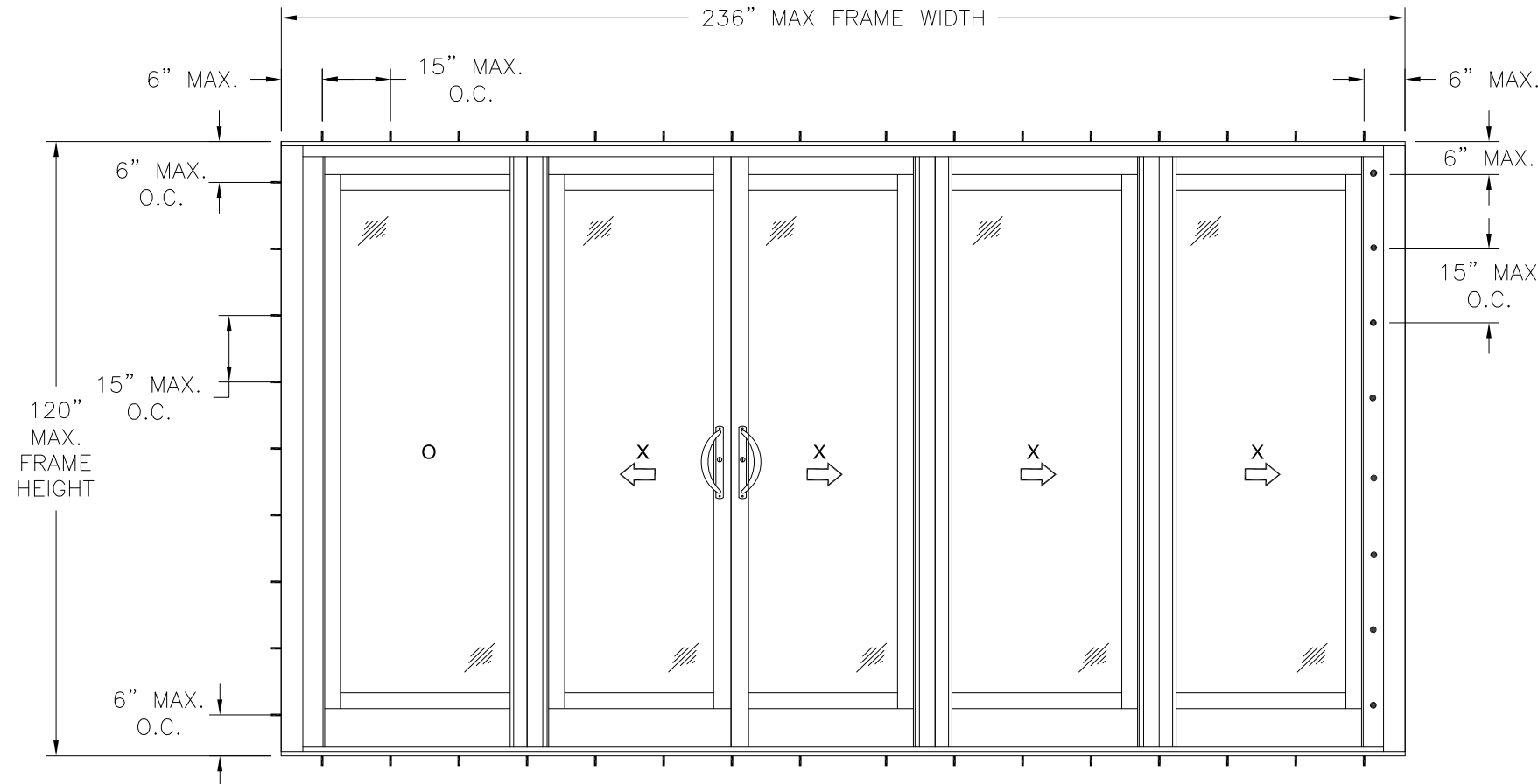
| REVISIONS | | | |
|-----------|-------------|------|----------|
| REV | DESCRIPTION | DATE | APPROVED |
| | | | |



PLAN VIEW

NOTES:

- (1) 1" 3/16" WEEP SLOT 6" FROM EACH END, AND 48" ON CENTER THROUGH VERTICAL SILL LEG EXCEPT MOST INTERIOR SILL LEG ON EVERY PANEL.
- MAXIMUM PANEL SIZE: 49 1/2" X 118 1/32"
- MAXIMUM D.L.O.: 40 7/8" X 109 1/4"



SERIES FD8100-NI ALUMINUM SLIDING GLASS POCKET DOOR
EXTERIOR VIEW

| DESIGN PRESSURE RATING | IMPACT RATING |
|------------------------|---------------|
| ±70.0PSF | NONE |

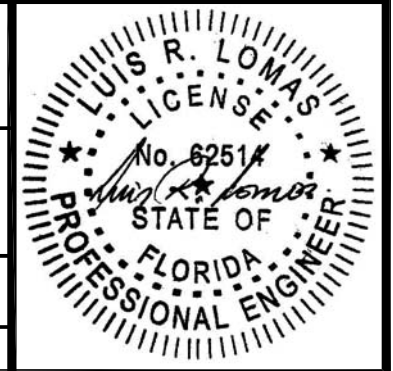
SIGNED: 04/30/2015

Eastern
ARCHITECTURAL SYSTEMS
ALUMINUM AND VINYL
IMPACT WINDOWS AND DOORS

EASTERN ARCHITECTURAL SYSTEMS
A DIVISION OF
EASTERN METAL SUPPLY
16341 DOMESTIC AVE
FORT MYERS, FL 33912
800-432-2204

SERIES FD8100-NI
ALUMINUM SLIDING GLASS POCKET DOOR
ELEVATION

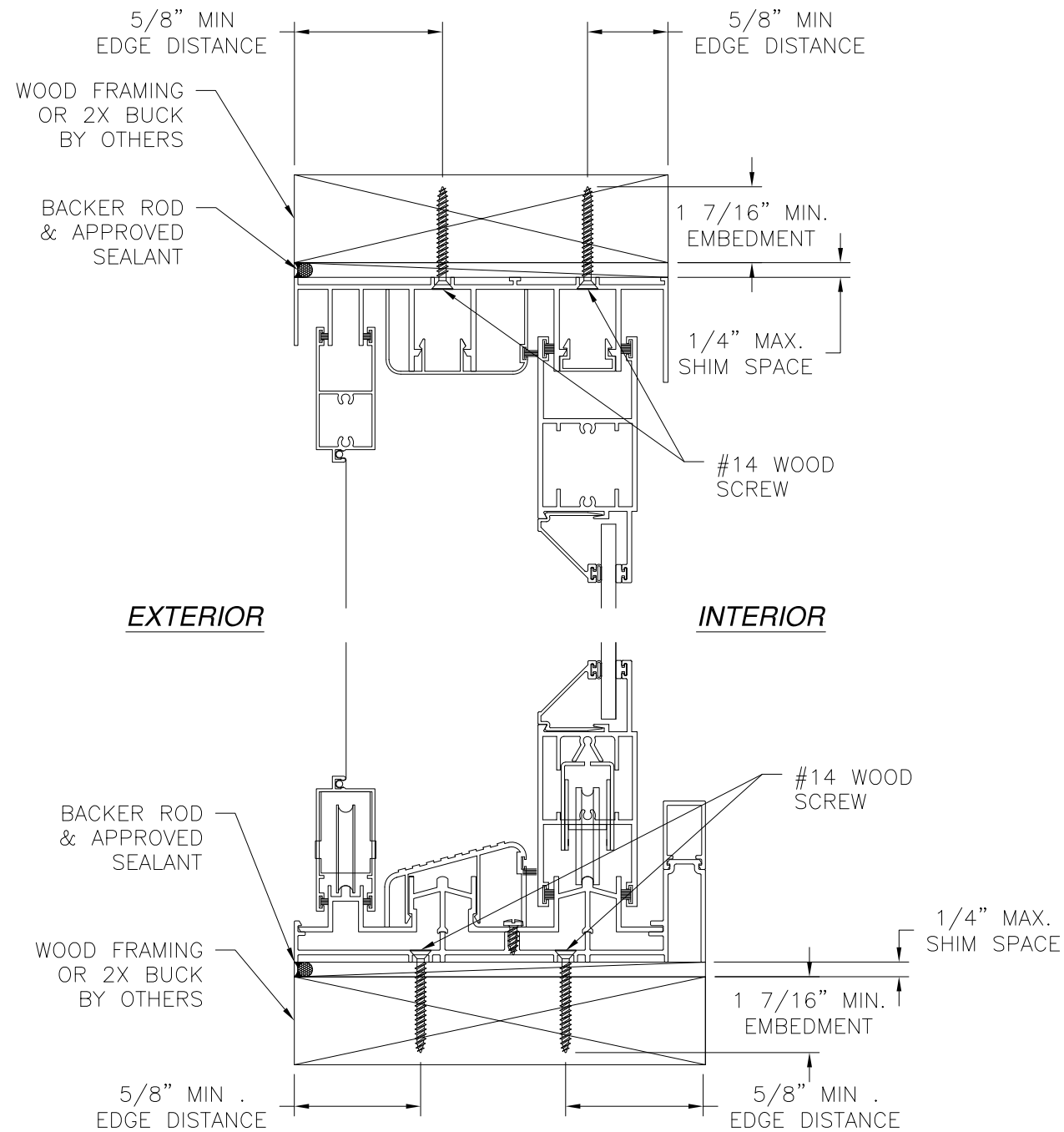
| | | |
|----------------|---------------------|------------------|
| DRAWN: V.L. | DWG NO. 08-02671 | REV - |
| SCALE NTS | DATE 03/30/15 | SHEET 2 OF 12 |



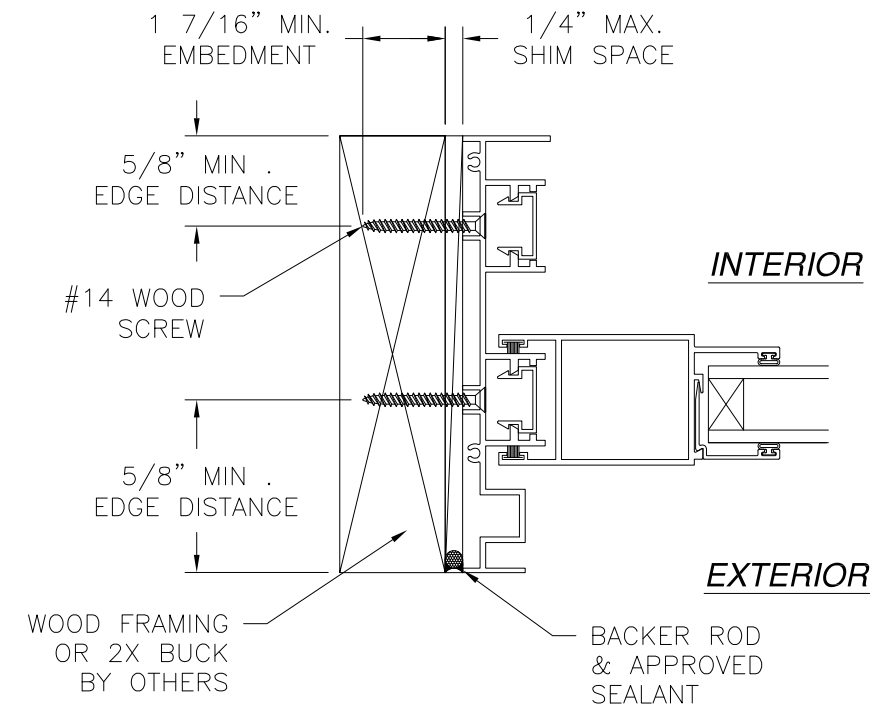
HARDWARE SCHEDULE

| | |
|----|--|
| A. | (1) ADJUSTABLE TANDEM WHEEL ROLLER ASSEMBLY AT EACH END OF EACH PANEL |
| B. | (2) 2-POINT MORTISE TYPE LOCKS ON LOCK STILE |
| C. | (2) MULTI-POINT KEEPERS ON ASTRAGAL STILE AT LOCK POSITIONS |
| D. | (1) EXTRUDED "H" TYPE ALUMINUM REINFORCEMENT CHANNEL AT EACH PANEL INTERLOCK STILE |
| E. | (1) EXTRUDED "U" TYPE ALUMINUM REINFORCEMENT CHANNEL AT BUTT STILE |

| REVISIONS | | | |
|-----------|-------------|------|----------|
| REV | DESCRIPTION | DATE | APPROVED |
| | | | |




VERTICAL CROSS SECTION
WOOD FRAMING OR 2X BUCK INSTALLATION



JAMB INSTALLATION DETAIL
WOOD FRAMING OR 2X BUCK INSTALLATION

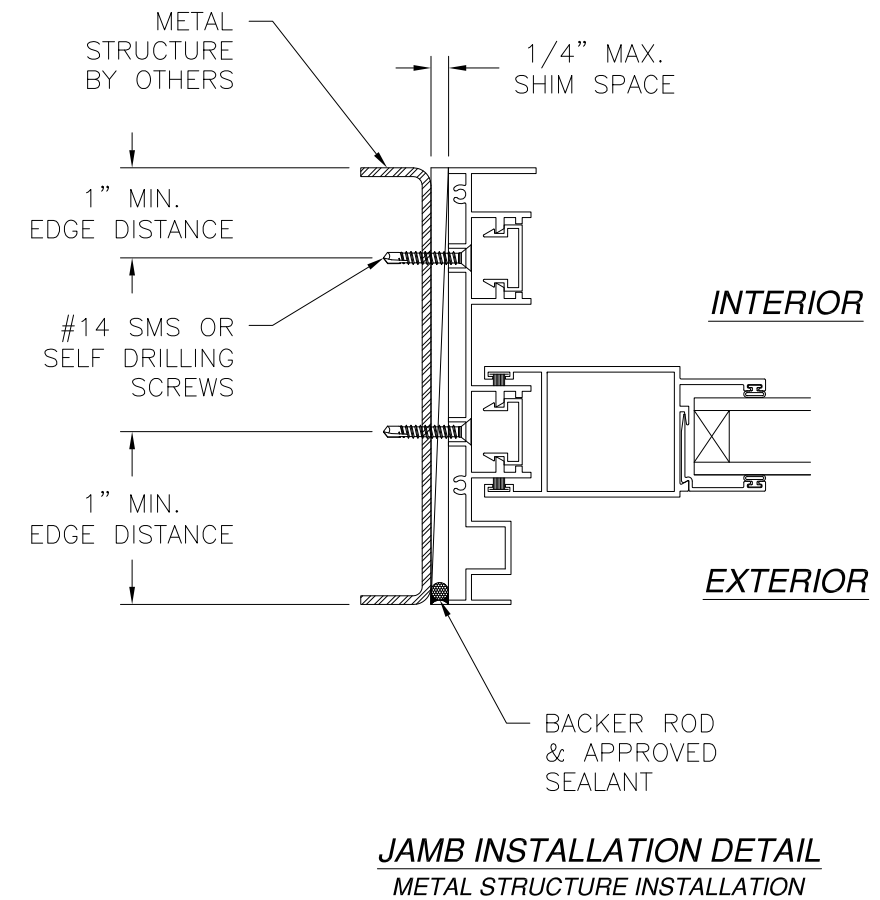
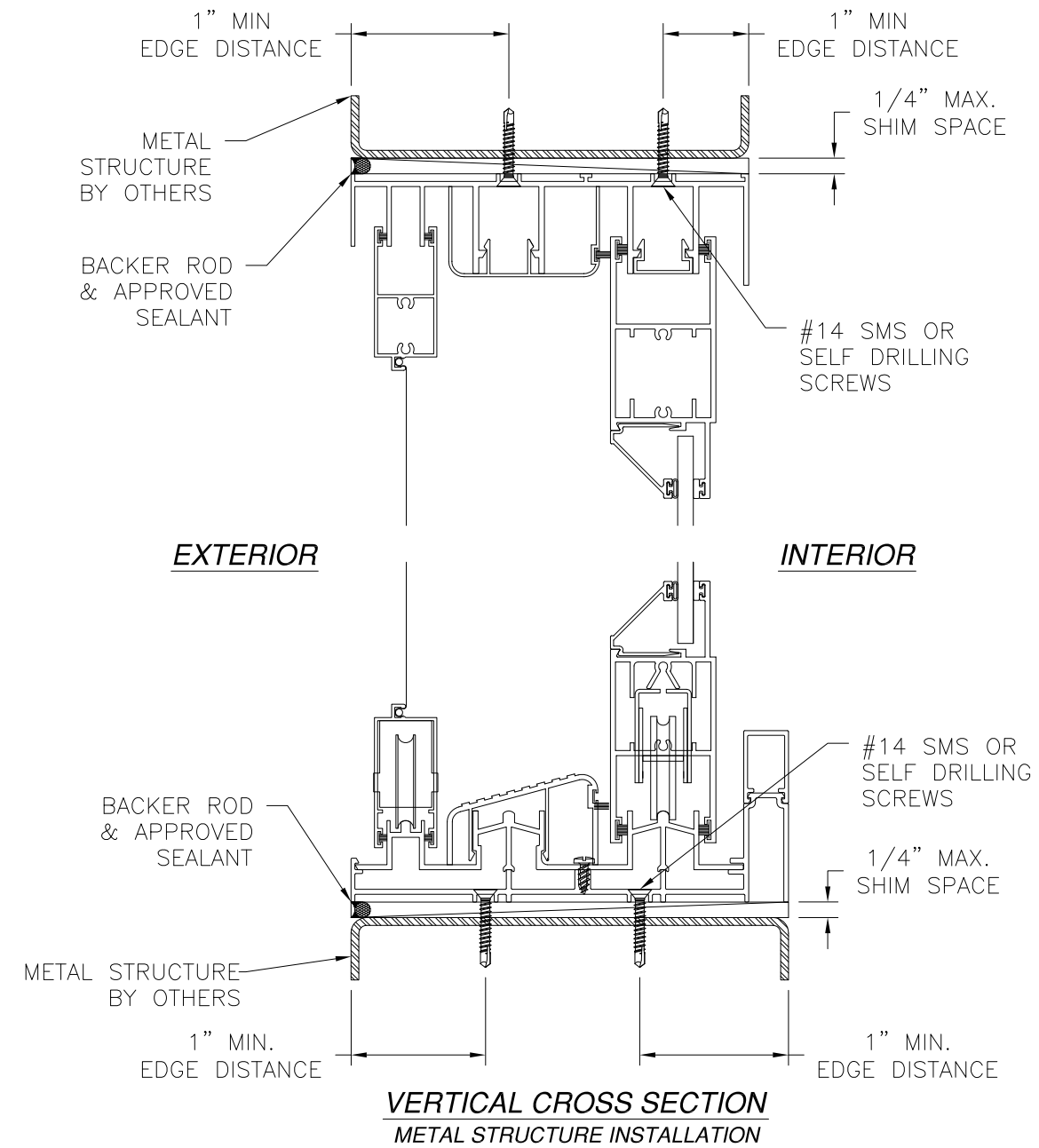
- NOTES:
1. INTERIOR AND EXTERIOR FINISHES, BY OTHERS, NOT SHOWN FOR CLARITY.
 2. PERIMETER AND JOINT SEALANT BY OTHERS TO BE DESIGNED IN ACCORDANCE WITH ASTM E2112

SIGNED: 04/30/2015

| | | |
|---|--|------------------|
|  Eastern ARCHITECTURAL SYSTEMS ALUMINUM AND VINYL IMPACT WINDOWS AND DOORS | EASTERN ARCHITECTURAL SYSTEMS A DIVISION OF EASTERN METAL SUPPLY 16341 DOMESTIC AVE FORT MYERS, FL 33912 800-432-2204 | |
| | SERIES FD8100-NI ALUMINUM SLIDING GLASS POCKET DOOR 2-TRACK INSTALLATION DETAILS | |
| DRAWN: V.L. | DWG NO. 08-02671 | REV - |
| SCALE NTS | DATE 03/30/15 | SHEET 3 OF 12 |




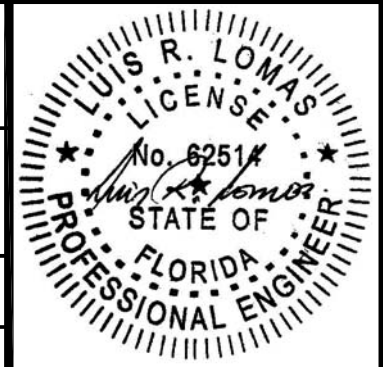
| REVISIONS | | | |
|-----------|-------------|------|----------|
| REV | DESCRIPTION | DATE | APPROVED |
| | | | |



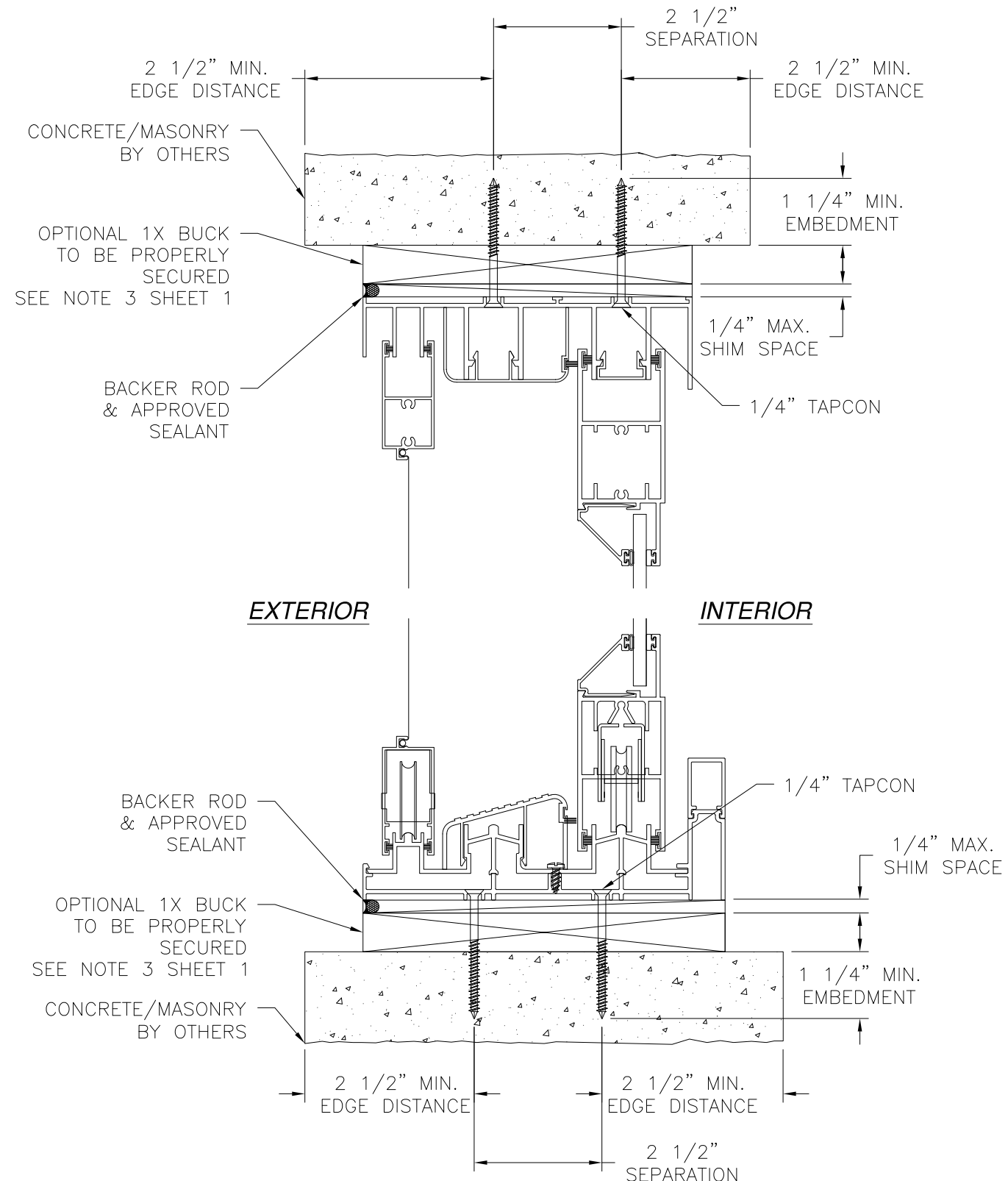
NOTES:
 1. INTERIOR AND EXTERIOR FINISHES, BY OTHERS, NOT SHOWN FOR CLARITY.
 2. PERIMETER AND JOINT SEALANT BY OTHERS TO BE DESIGNED IN ACCORDANCE WITH ASTM E2112

SIGNED: 04/30/2015

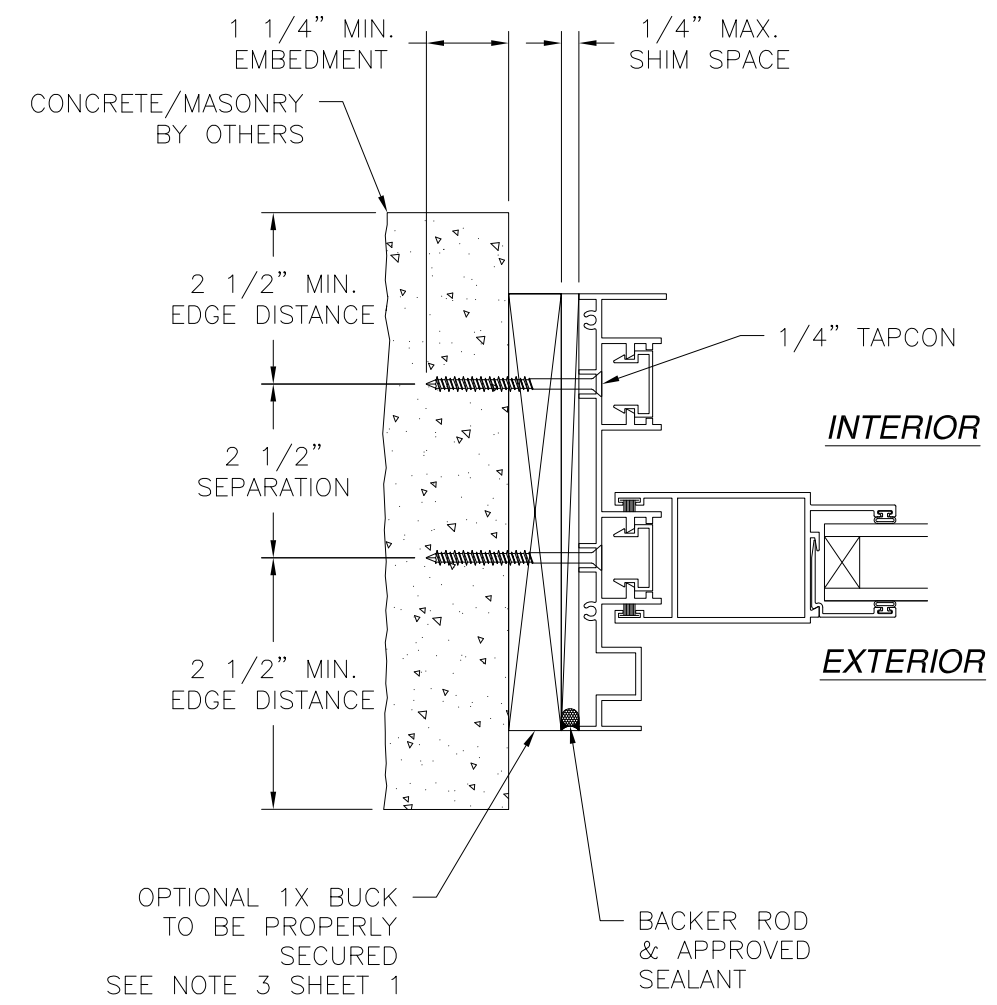
| | | |
|---|--|---------------|
|  Eastern ARCHITECTURAL SYSTEMS ALUMINUM AND VINYL IMPACT WINDOWS AND DOORS | EASTERN ARCHITECTURAL SYSTEMS A DIVISION OF EASTERN METAL SUPPLY 16341 DOMESTIC AVE FORT MYERS, FL 33912 800-432-2204 | |
| | SERIES FD8100-NI ALUMINUM SLIDING GLASS POCKET DOOR 2-TRACK INSTALLATION DETAILS | |
| DRAWN: V.L. | DWG NO. 08-02671 | REV - |
| SCALE NTS | DATE 03/30/15 | SHEET 4 OF 12 |



| REVISIONS | | | |
|-----------|-------------|------|----------|
| REV | DESCRIPTION | DATE | APPROVED |
| | | | |



VERTICAL CROSS SECTION
CONCRETE/MASONRY INSTALLATION



JAMB INSTALLATION DETAIL
CONCRETE/MASONRY INSTALLATION

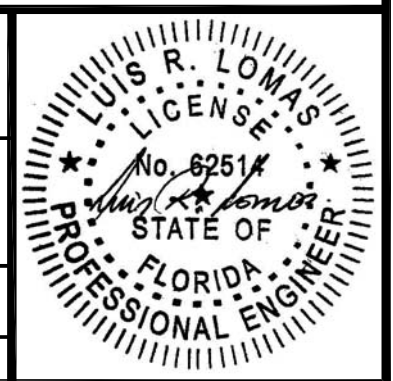
- NOTES:**
1. INTERIOR AND EXTERIOR FINISHES, BY OTHERS, NOT SHOWN FOR CLARITY.
 2. PERIMETER AND JOINT SEALANT BY OTHERS TO BE DESIGNED IN ACCORDANCE WITH ASTM E2112

SIGNED: 04/30/2015

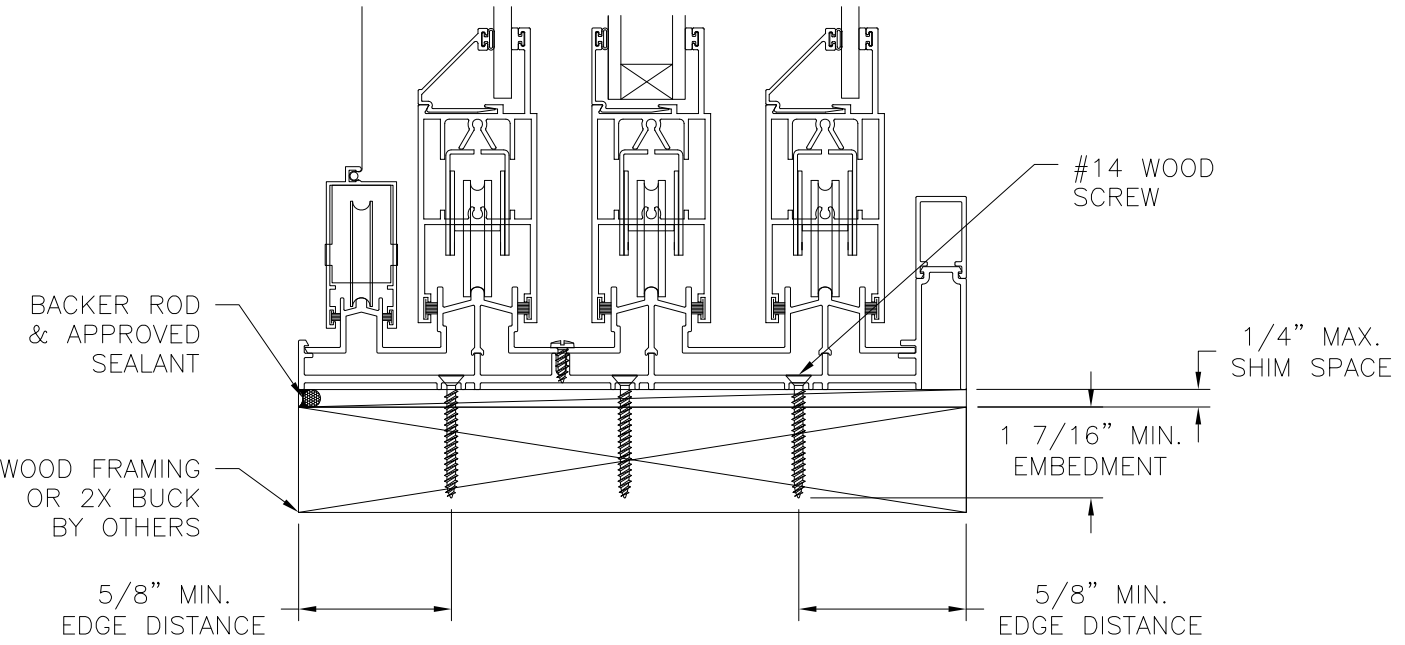
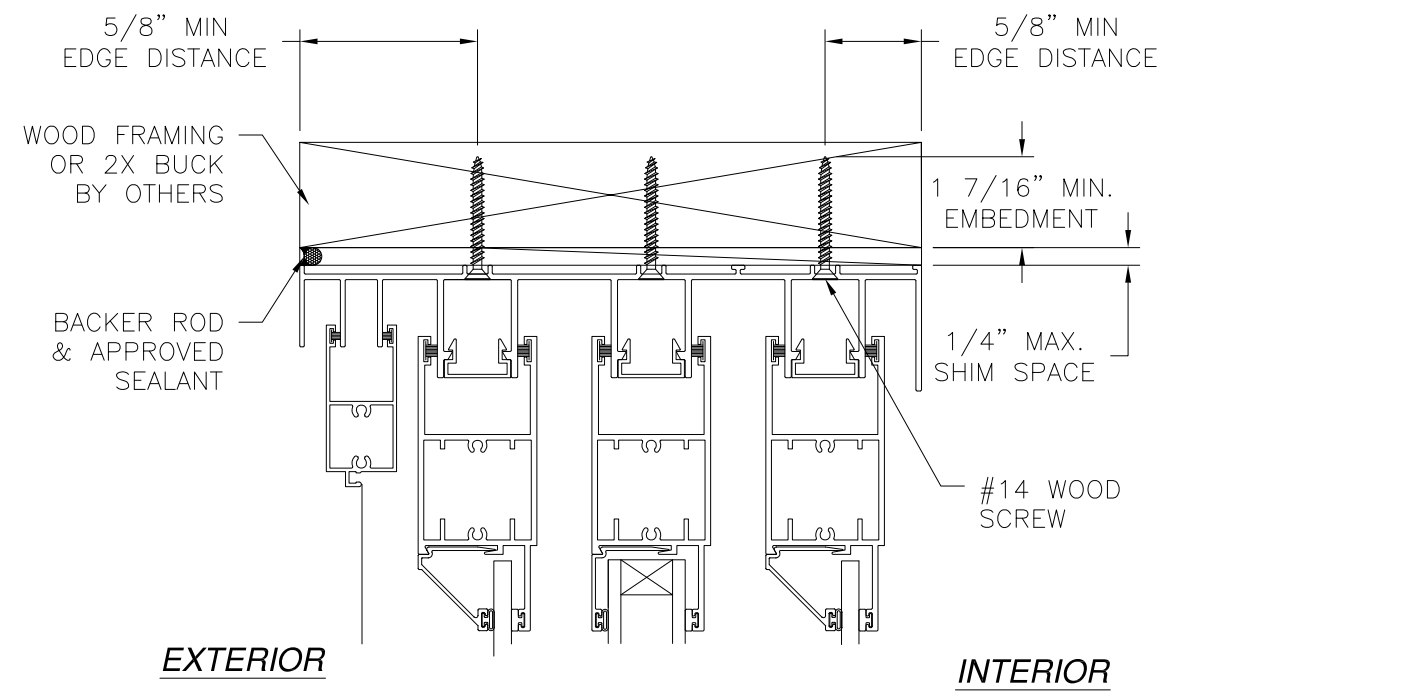
Eastern
ARCHITECTURAL SYSTEMS
A DIVISION OF
EASTERN METAL SUPPLY
ALUMINUM AND VINYL
IMPACT WINDOWS AND DOORS
16341 DOMESTIC AVE
FORT MYERS, FL 33912
800-432-2204

SERIES FD8100-NI
ALUMINUM SLIDING GLASS POCKET DOOR
2-TRACK INSTALLATION DETAILS

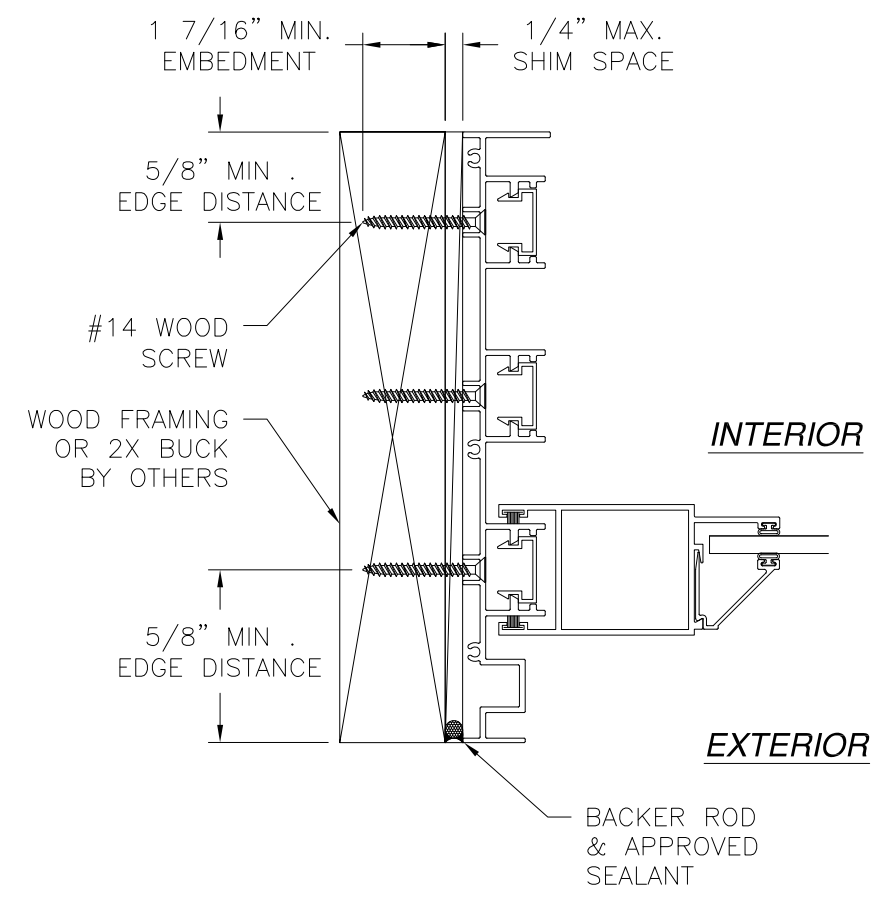
| | | |
|----------------|---------------------|------------------|
| DRAWN: V.L. | DWG NO. 08-02671 | REV - |
| SCALE NTS | DATE 03/30/15 | SHEET 5 OF 12 |



| REVISIONS | | | |
|-----------|-------------|------|----------|
| REV | DESCRIPTION | DATE | APPROVED |
| | | | |



VERTICAL CROSS SECTION
WOOD FRAMING OR 2X BUCK INSTALLATION



JAMB INSTALLATION DETAIL
WOOD FRAMING OR 2X BUCK INSTALLATION

NOTES:
 1. INTERIOR AND EXTERIOR FINISHES, BY OTHERS, NOT SHOWN FOR CLARITY.
 2. PERIMETER AND JOINT SEALANT BY OTHERS TO BE DESIGNED IN ACCORDANCE WITH ASTM E2112

SIGNED: 04/30/2015

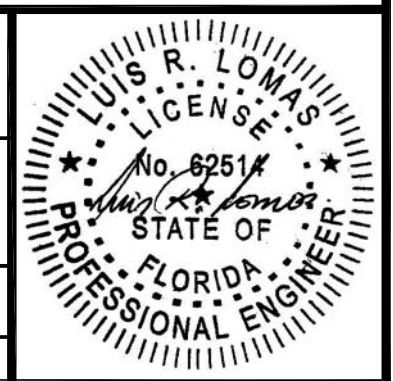
Eastern
 ARCHITECTURAL SYSTEMS
 ALUMINUM AND VINYL
 IMPACT WINDOWS AND DOORS

EASTERN ARCHITECTURAL SYSTEMS
 A DIVISION OF
 EASTERN METAL SUPPLY
 16341 DOMESTIC AVE
 FORT MYERS, FL 33912
 800-432-2204

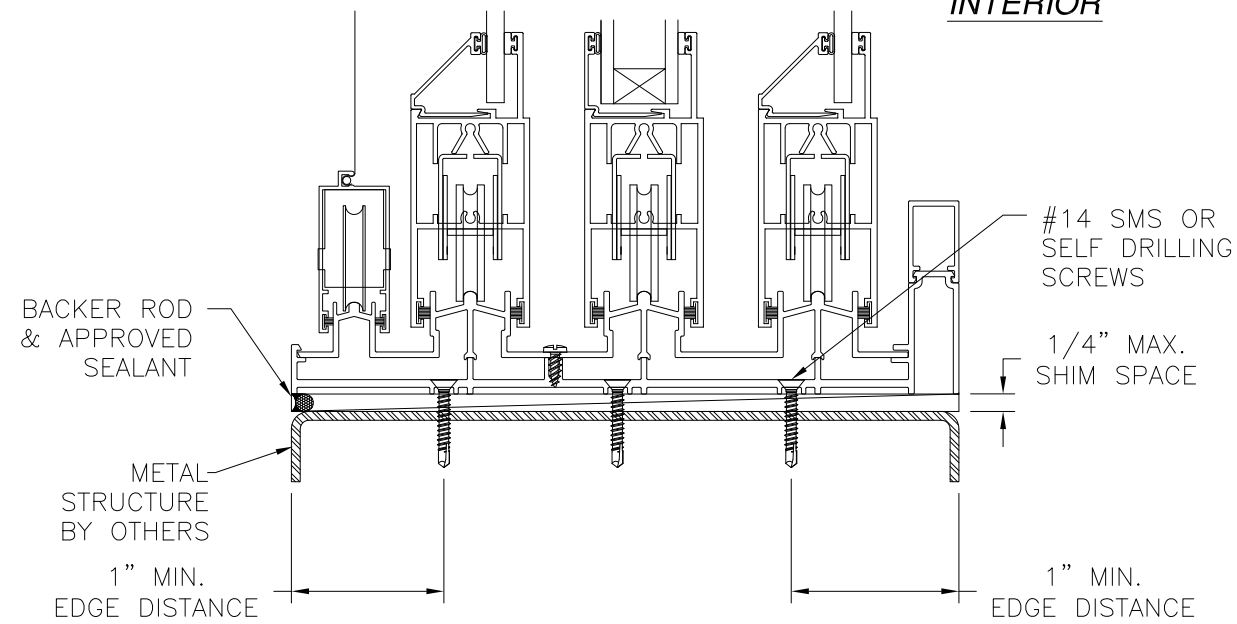
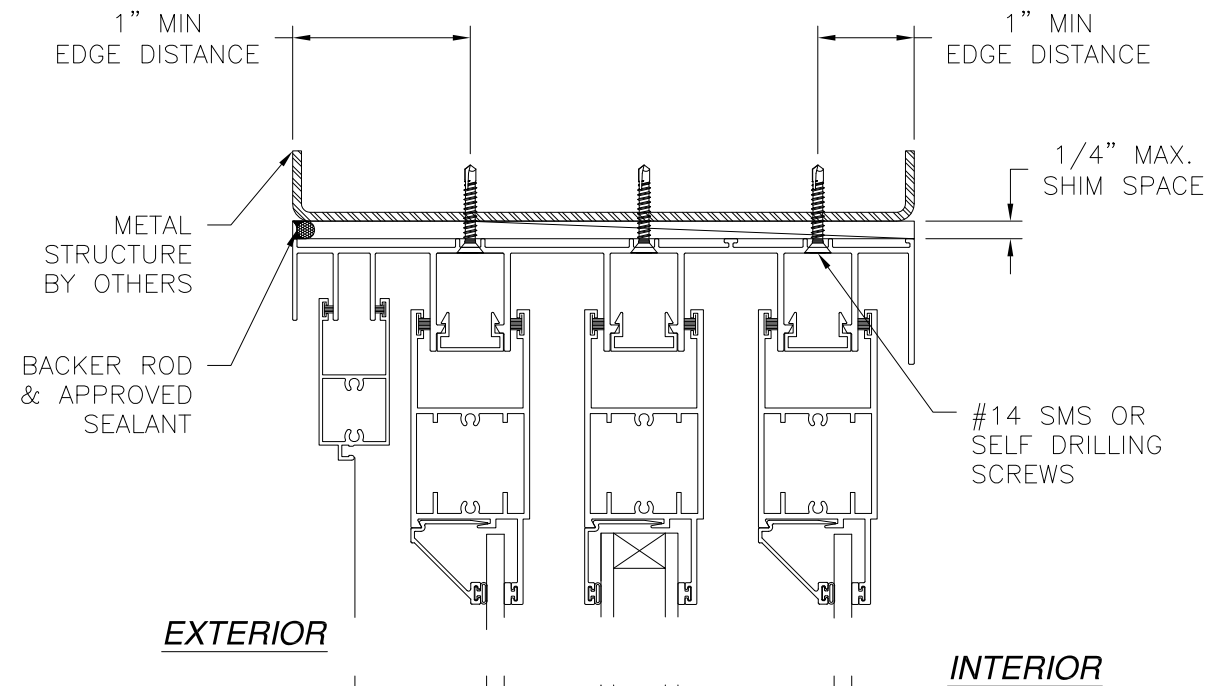
SERIES FD8100-NI
 ALUMINUM SLIDING GLASS POCKET DOOR
 3-TRACK INSTALLATION DETAILS

DRAWN: V.L. DWG NO. 08-02671 REV -

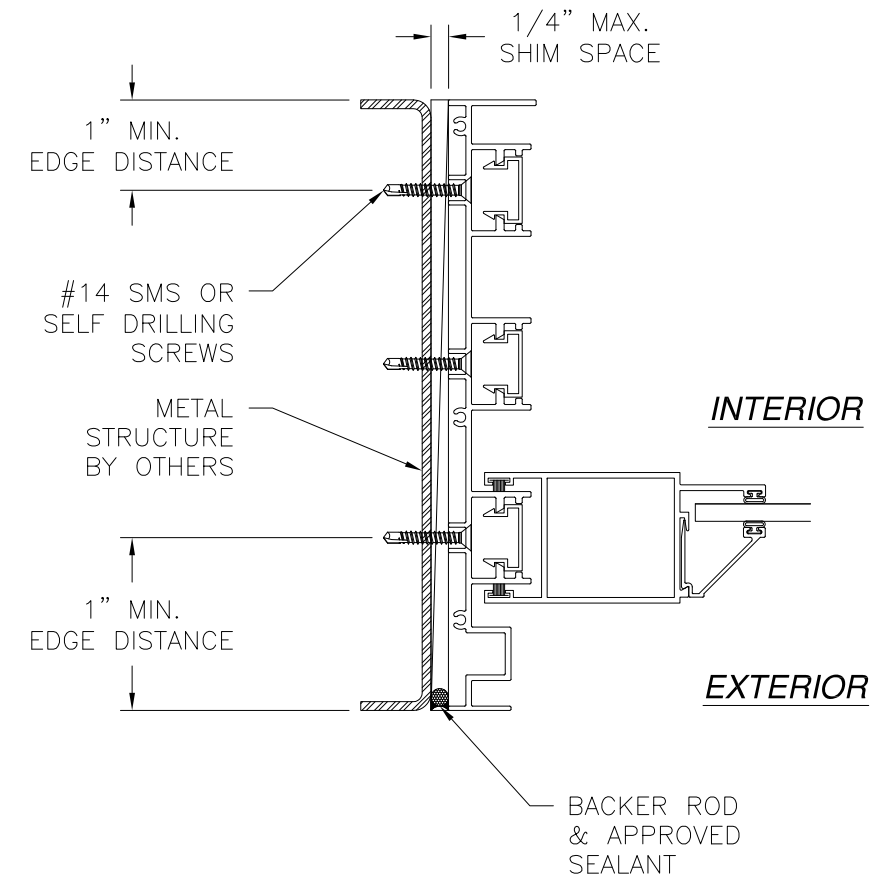
SCALE NTS DATE 03/30/15 SHEET 6 OF 12



| REVISIONS | | | |
|-----------|-------------|------|----------|
| REV | DESCRIPTION | DATE | APPROVED |
| | | | |




VERTICAL CROSS SECTION
METAL STRUCTURE INSTALLATION

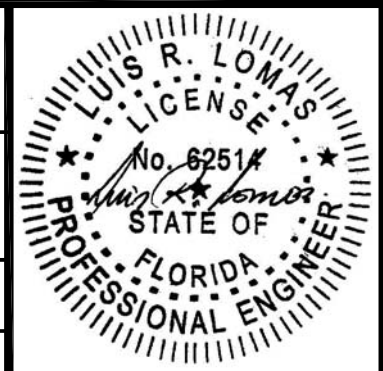


JAMB INSTALLATION DETAIL
METAL STRUCTURE INSTALLATION

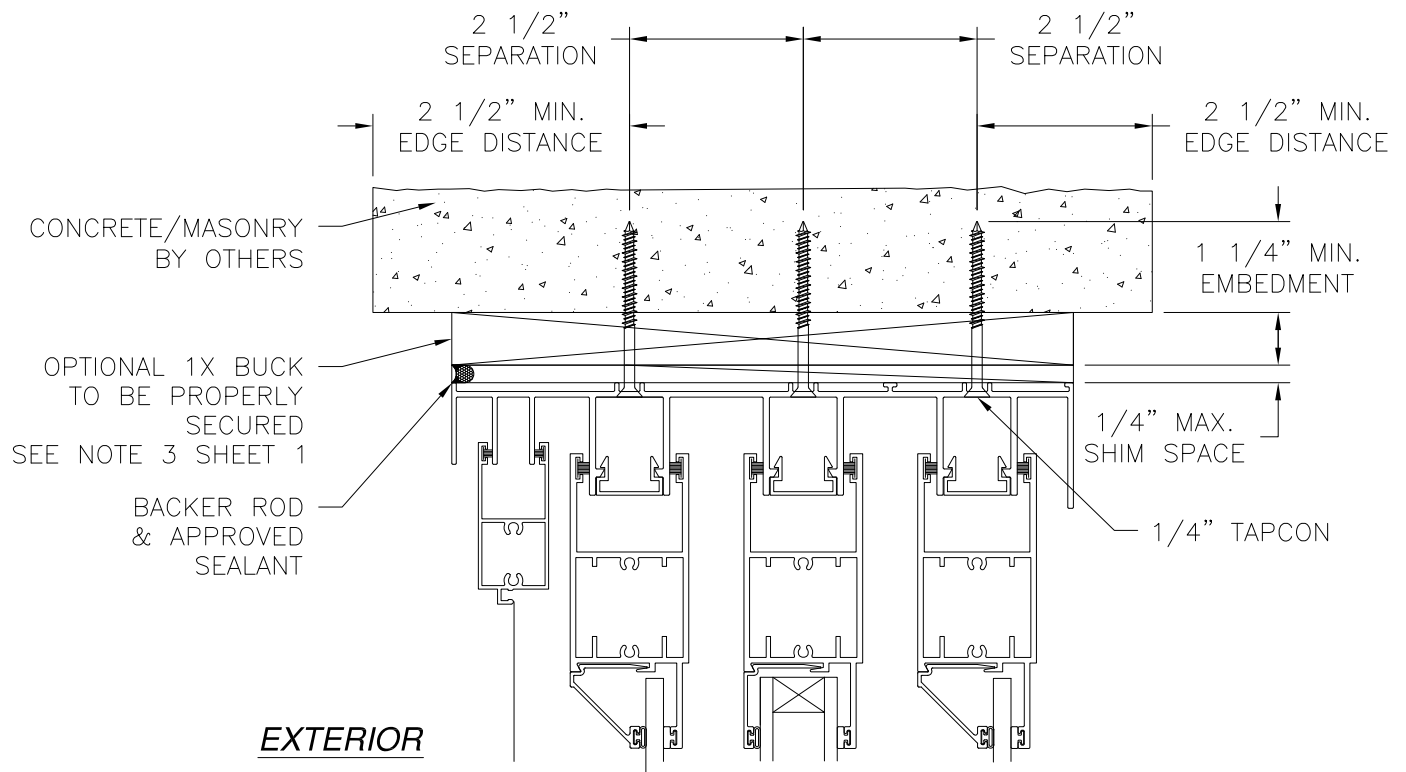
NOTES:
 1. INTERIOR AND EXTERIOR FINISHES, BY OTHERS, NOT SHOWN FOR CLARITY.
 2. PERIMETER AND JOINT SEALANT BY OTHERS TO BE DESIGNED IN ACCORDANCE WITH ASTM E2112

SIGNED: 04/30/2015

| | | |
|---|--|---------------|
|  Eastern ARCHITECTURAL SYSTEMS ALUMINUM AND VINYL IMPACT WINDOWS AND DOORS | EASTERN ARCHITECTURAL SYSTEMS A DIVISION OF EASTERN METAL SUPPLY 16341 DOMESTIC AVE FORT MYERS, FL 33912 800-432-2204 | |
| | SERIES FD8100-NI ALUMINUM SLIDING GLASS POCKET DOOR 3-TRACK INSTALLATION DETAILS | |
| DRAWN: V.L. | DWG NO. 08-02671 | REV - |
| SCALE NTS | DATE 03/30/15 | SHEET 7 OF 12 |

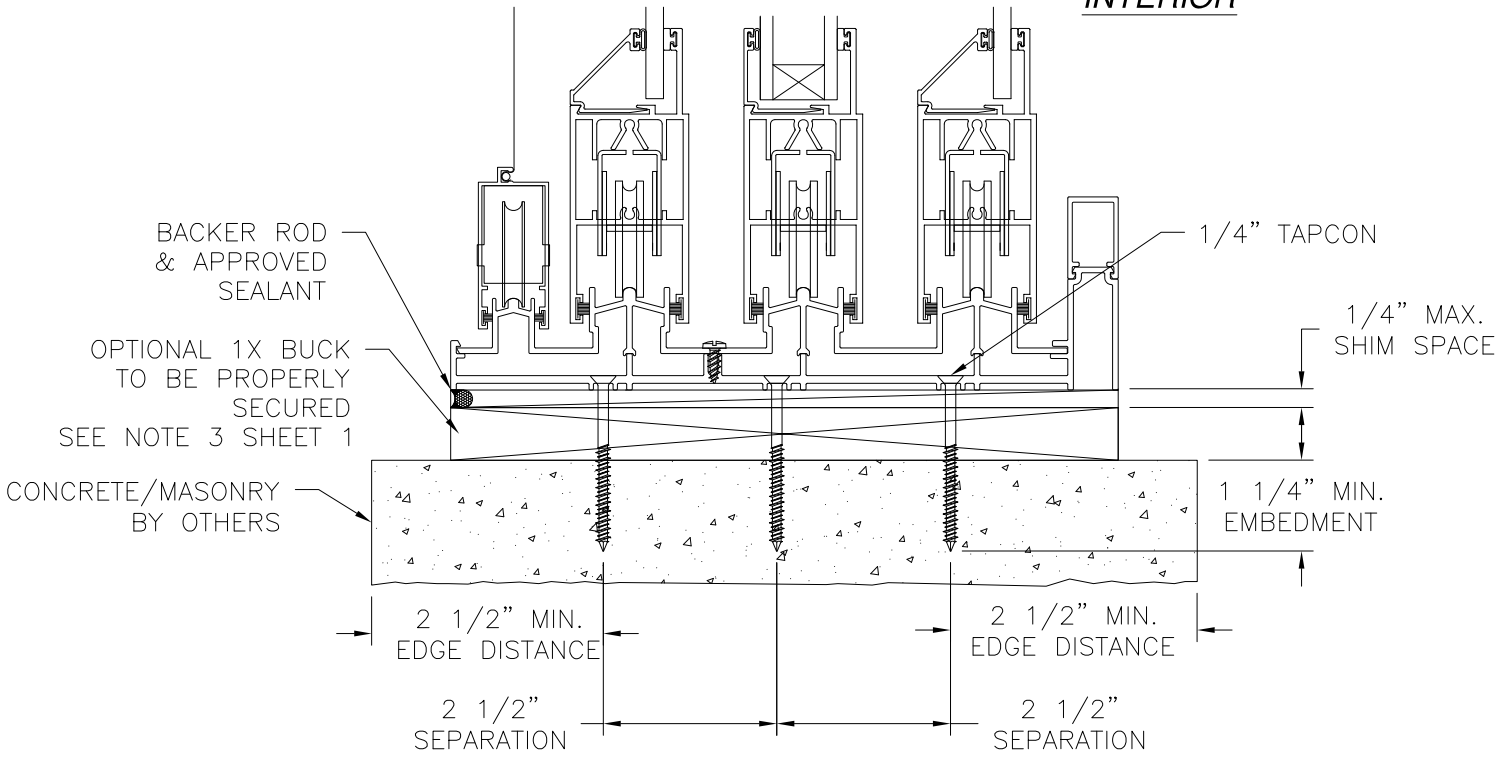


| REVISIONS | | | |
|-----------|-------------|------|----------|
| REV | DESCRIPTION | DATE | APPROVED |
| | | | |

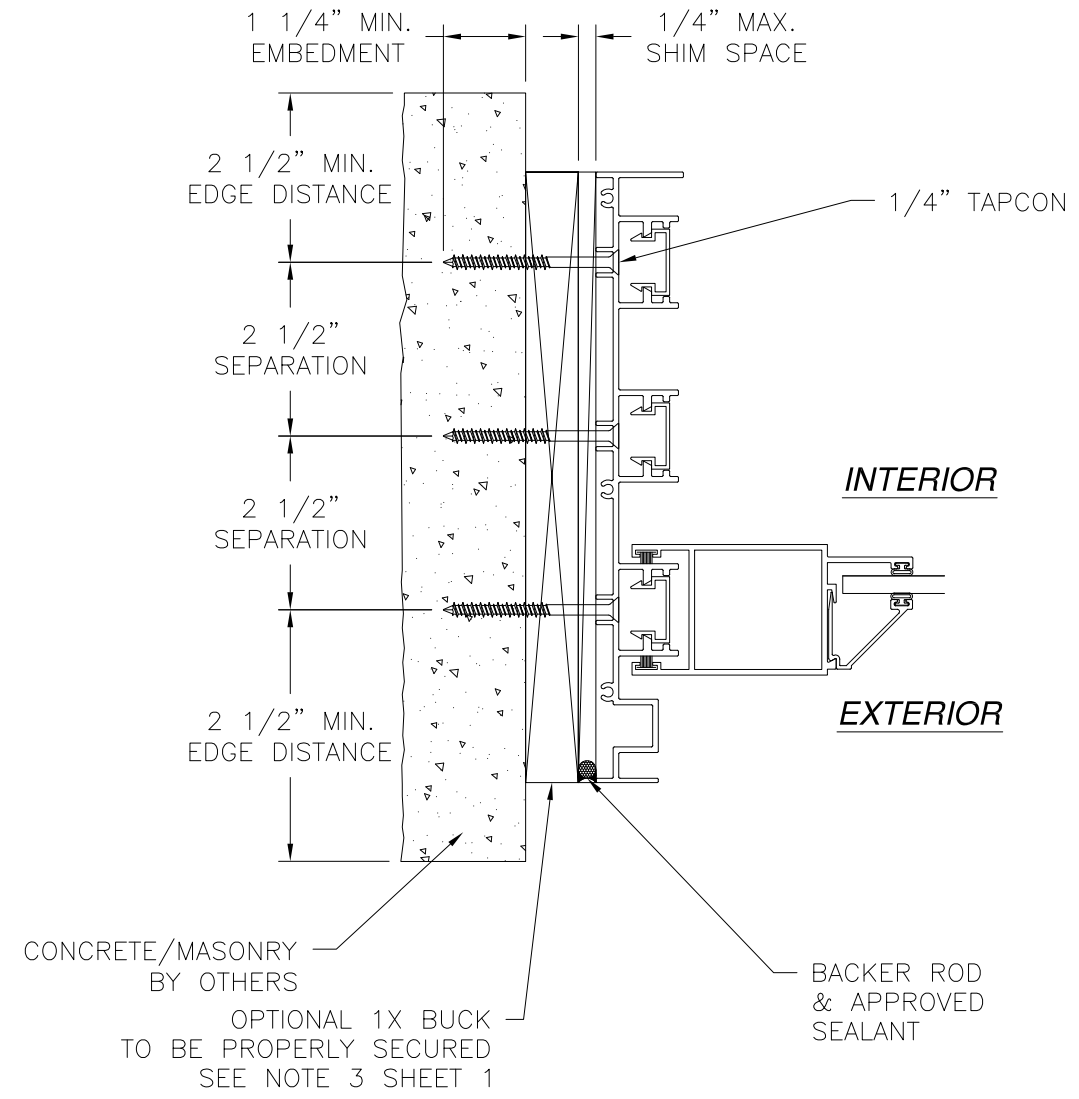


EXTERIOR

INTERIOR



**VERTICAL CROSS SECTION
CONCRETE/MASONRY INSTALLATION**



**JAMB INSTALLATION DETAIL
CONCRETE/MASONRY INSTALLATION**

- NOTES:**
1. INTERIOR AND EXTERIOR FINISHES, BY OTHERS, NOT SHOWN FOR CLARITY.
 2. PERIMETER AND JOINT SEALANT BY OTHERS TO BE DESIGNED IN ACCORDANCE WITH ASTM E2112

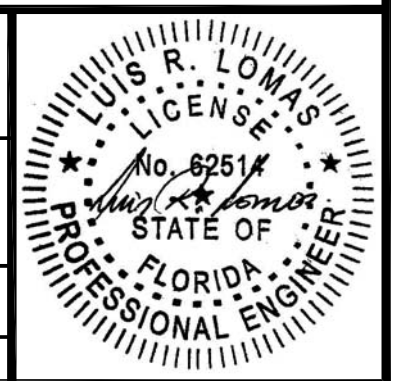
SIGNED: 04/30/2015

Eastern
ARCHITECTURAL SYSTEMS
ALUMINUM AND VINYL
IMPACT WINDOWS AND DOORS

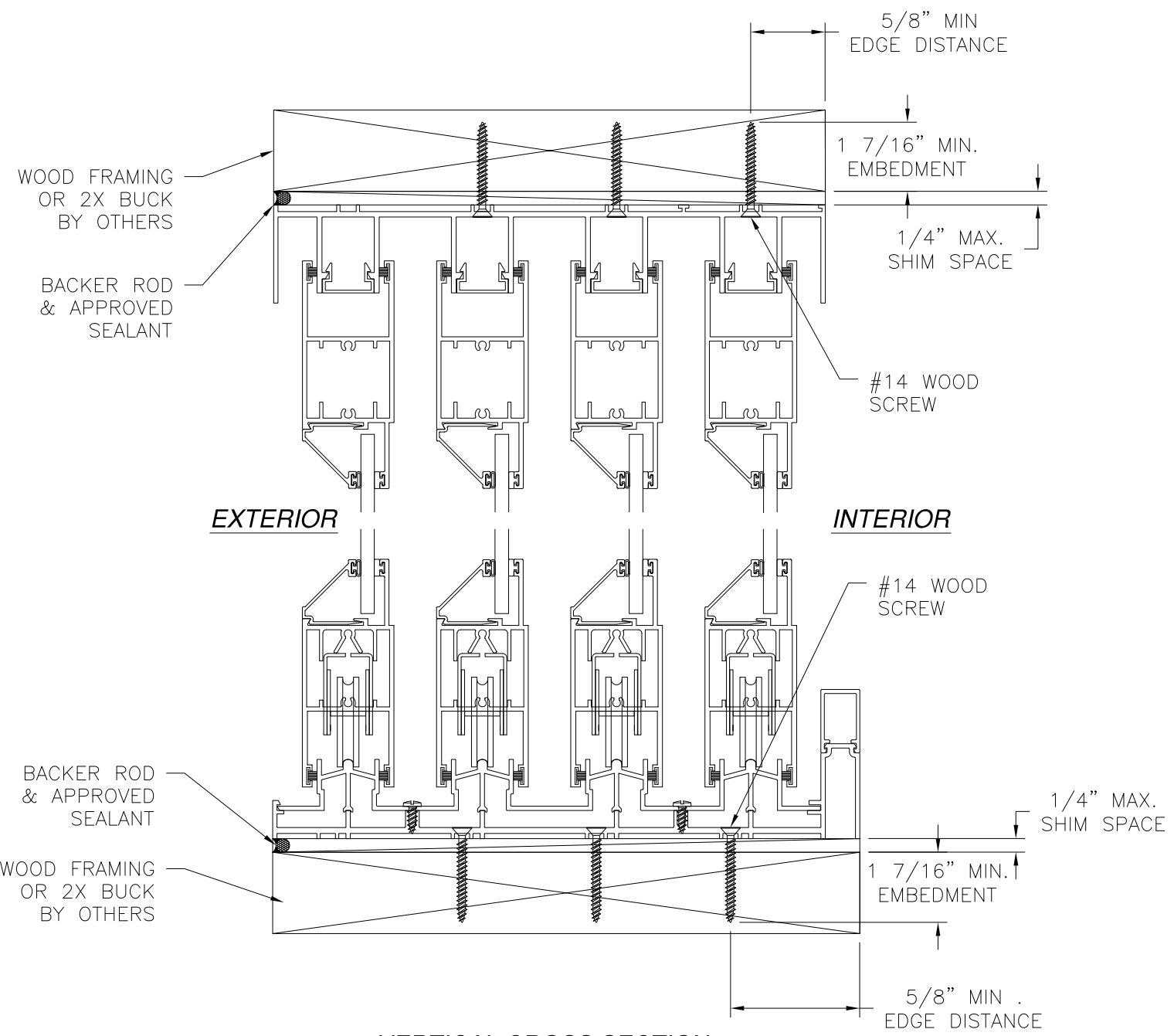
EASTERN ARCHITECTURAL SYSTEMS
A DIVISION OF
EASTERN METAL SUPPLY
16341 DOMESTIC AVE
FORT MYERS, FL 33912
800-432-2204

SERIES FD8100-NI
ALUMINUM SLIDING GLASS POCKET DOOR
3-TRACK INSTALLATION DETAILS

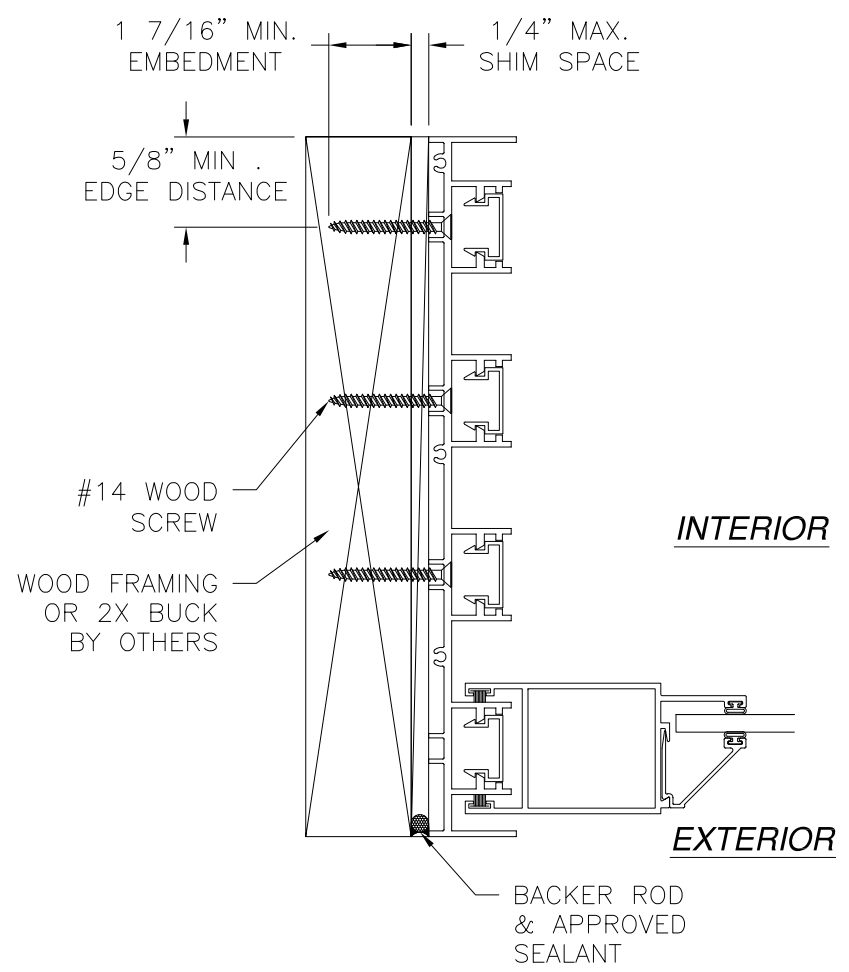
| | | |
|----------------|---------------------|------------------|
| DRAWN: V.L. | DWG NO. 08-02671 | REV - |
| SCALE NTS | DATE 03/30/15 | SHEET 8 OF 12 |



| REVISIONS | | | |
|-----------|-------------|------|----------|
| REV | DESCRIPTION | DATE | APPROVED |
| | | | |



VERTICAL CROSS SECTION
WOOD FRAMING OR 2X BUCK INSTALLATION



JAMB INSTALLATION DETAIL
WOOD FRAMING OR 2X BUCK INSTALLATION

NOTES:
 1. INTERIOR AND EXTERIOR FINISHES, BY OTHERS, NOT SHOWN FOR CLARITY.
 2. PERIMETER AND JOINT SEALANT BY OTHERS TO BE DESIGNED IN ACCORDANCE WITH ASTM E2112

SIGNED: 04/30/2015

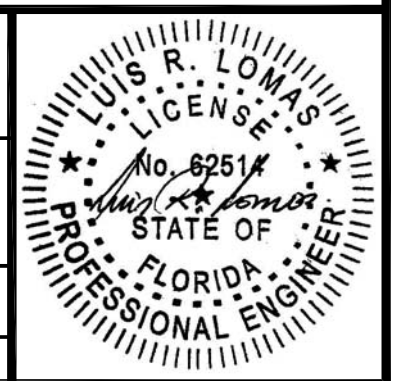
Eastern
 ARCHITECTURAL SYSTEMS
 ALUMINUM AND VINYL
 IMPACT WINDOWS AND DOORS

EASTERN ARCHITECTURAL SYSTEMS
 A DIVISION OF
 EASTERN METAL SUPPLY
 16341 DOMESTIC AVE
 FORT MYERS, FL 33912
 800-432-2204

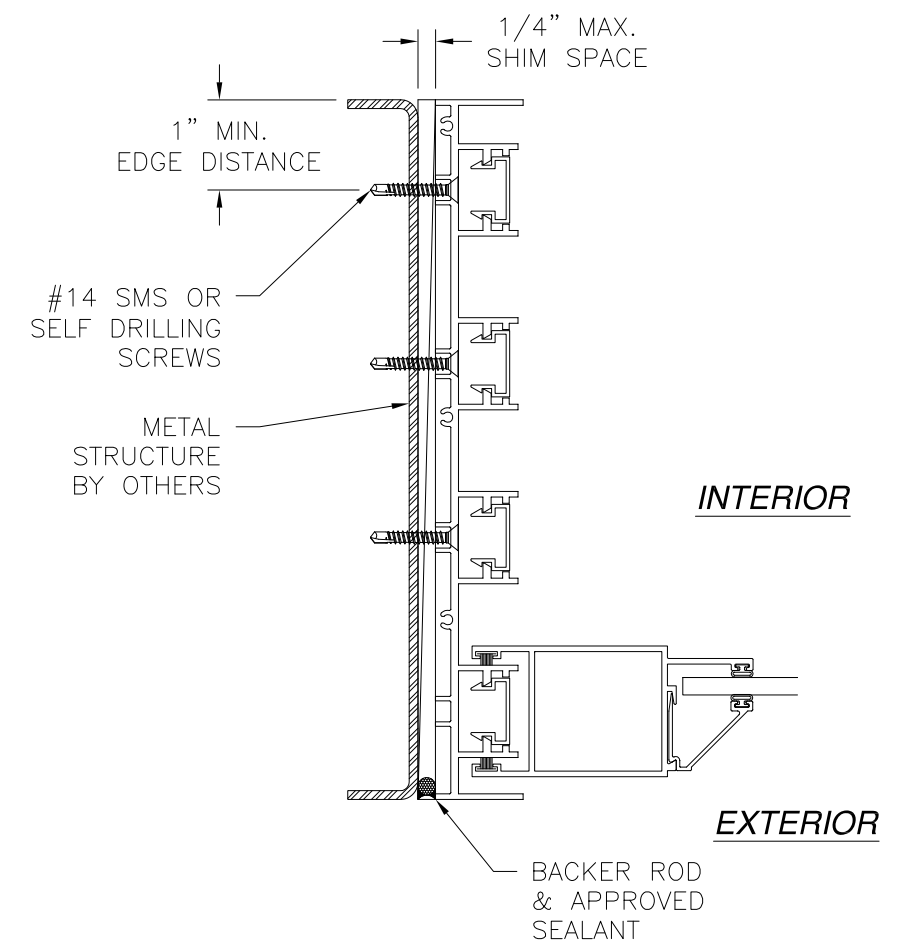
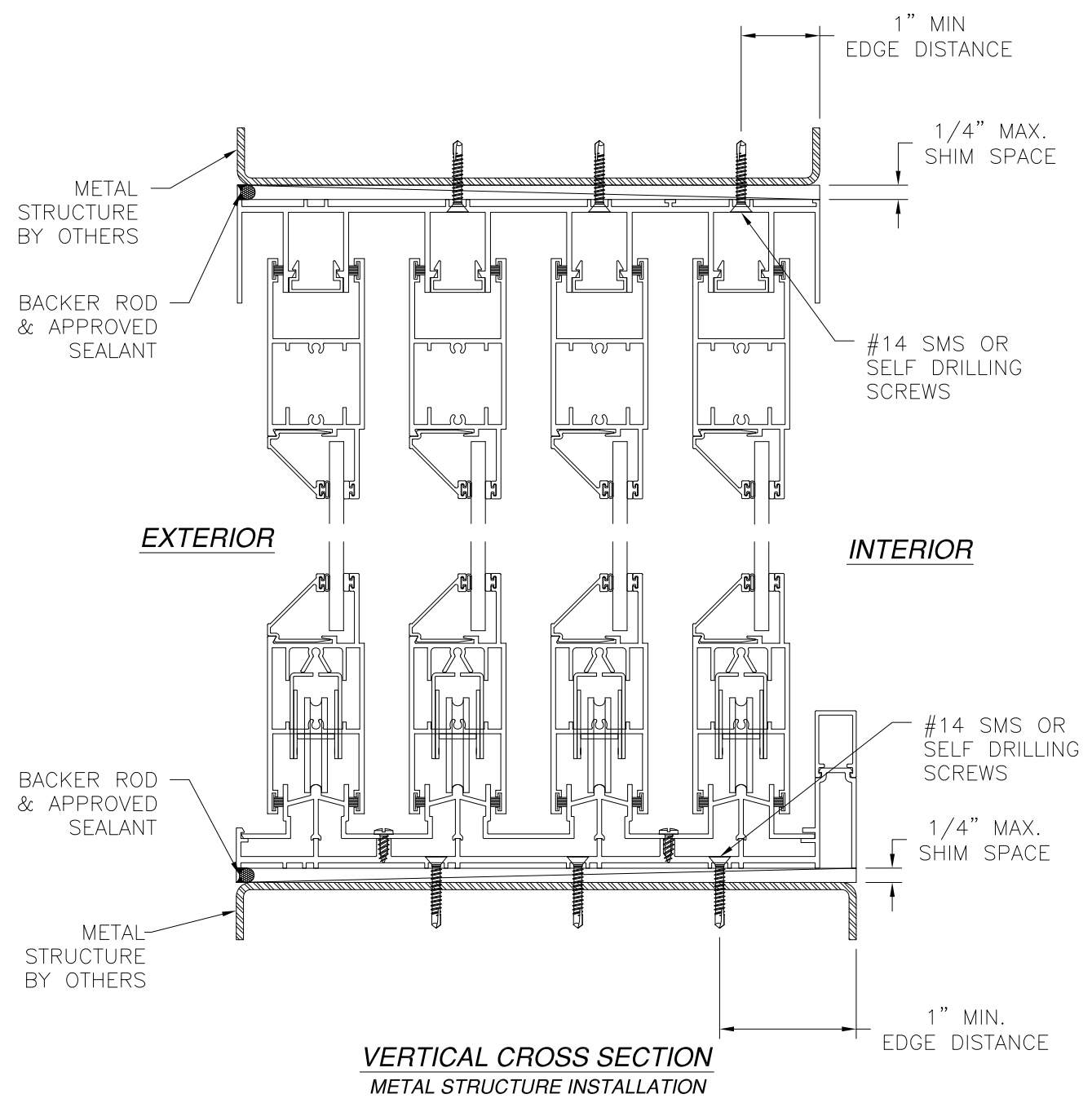
SERIES FD8100-NI
 ALUMINUM SLIDING GLASS POCKET DOOR
 4-TRACK INSTALLATION DETAILS

DRAWN: V.L. DWG NO. 08-02671 REV -

SCALE NTS DATE 03/30/15 SHEET 9 OF 12



| REVISIONS | | | |
|-----------|-------------|------|----------|
| REV | DESCRIPTION | DATE | APPROVED |



NOTES:
 1. INTERIOR AND EXTERIOR FINISHES, BY OTHERS, NOT SHOWN FOR CLARITY.
 2. PERIMETER AND JOINT SEALANT BY OTHERS TO BE DESIGNED IN ACCORDANCE WITH ASTM E2112

SIGNED: 04/30/2015

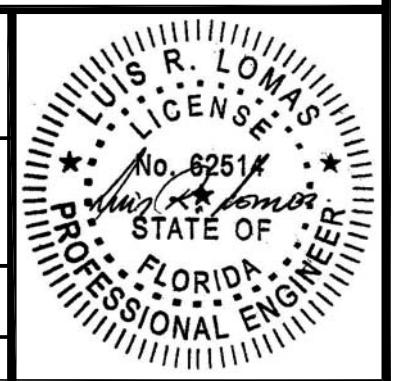
Eastern
 ARCHITECTURAL SYSTEMS
 ALUMINUM AND VINYL
 IMPACT WINDOWS AND DOORS

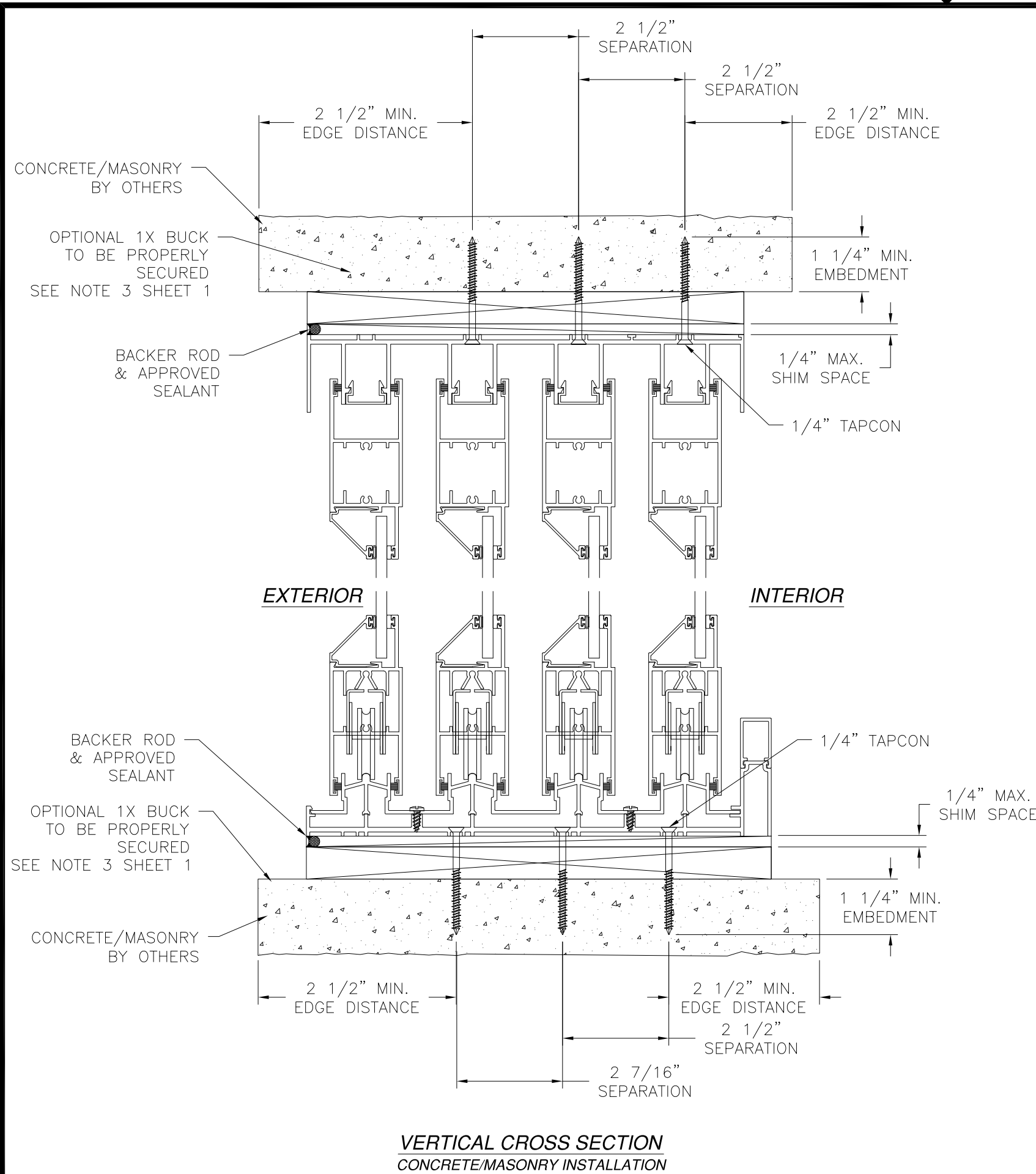
EASTERN ARCHITECTURAL SYSTEMS
 A DIVISION OF
 EASTERN METAL SUPPLY
 16341 DOMESTIC AVE
 FORT MYERS, FL 33912
 800-432-2204

SERIES FD8100-NI
 ALUMINUM SLIDING GLASS POCKET DOOR
 4-TRACK INSTALLATION DETAILS

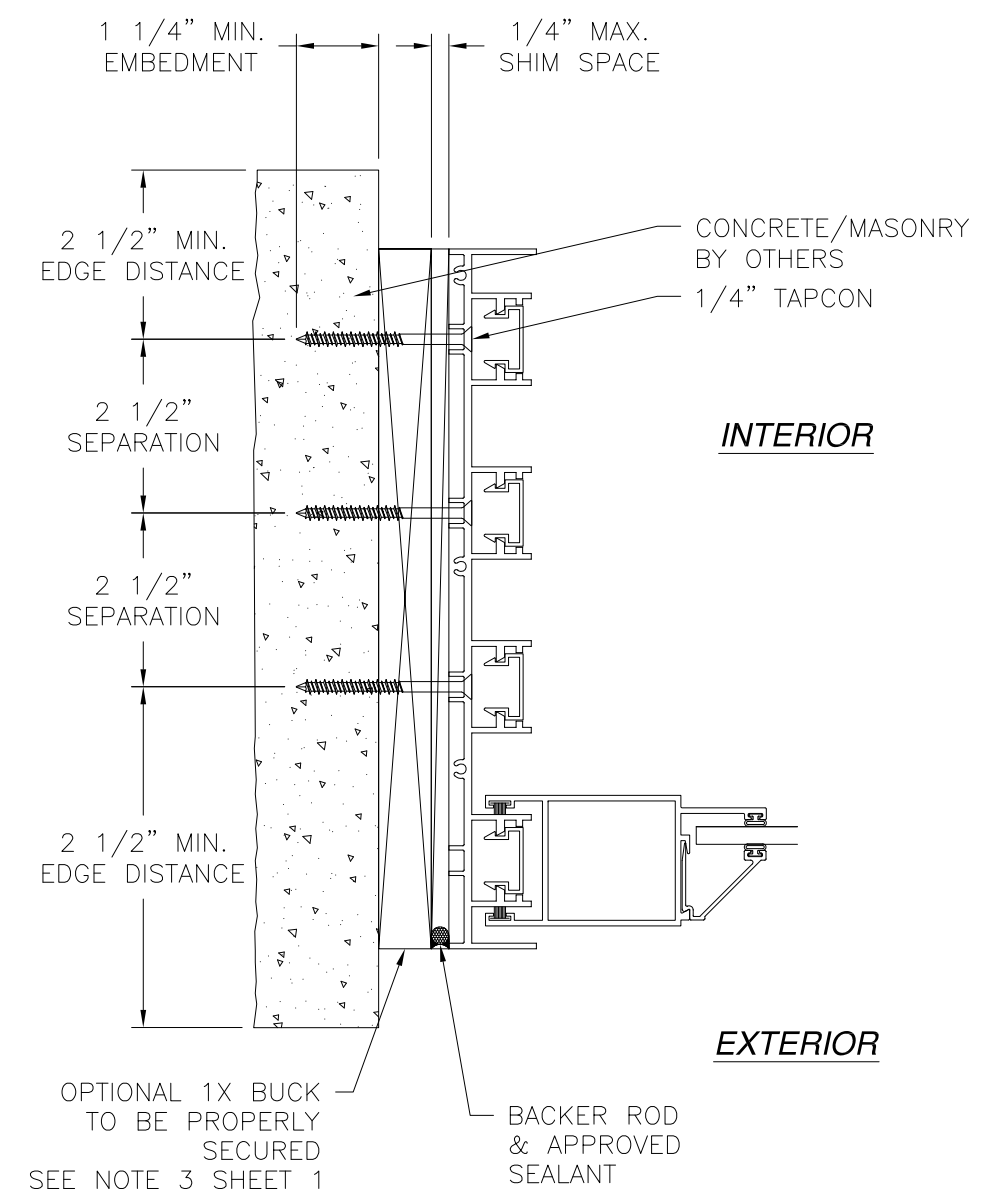
| | | |
|----------------|---------------------|----------|
| DRAWN: V.L. | DWG NO. 08-02671 | REV - |
|----------------|---------------------|----------|

| | | |
|--------------|------------------|-------------------|
| SCALE NTS | DATE 03/30/15 | SHEET 10 OF 12 |
|--------------|------------------|-------------------|






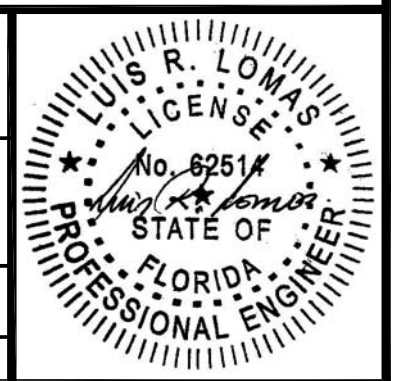
| REVISIONS | | | |
|-----------|-------------|------|----------|
| REV | DESCRIPTION | DATE | APPROVED |
| | | | |



- NOTES:**
1. INTERIOR AND EXTERIOR FINISHES, BY OTHERS, NOT SHOWN FOR CLARITY.
 2. PERIMETER AND JOINT SEALANT BY OTHERS TO BE DESIGNED IN ACCORDANCE WITH ASTM E2112

SIGNED: 04/30/2015

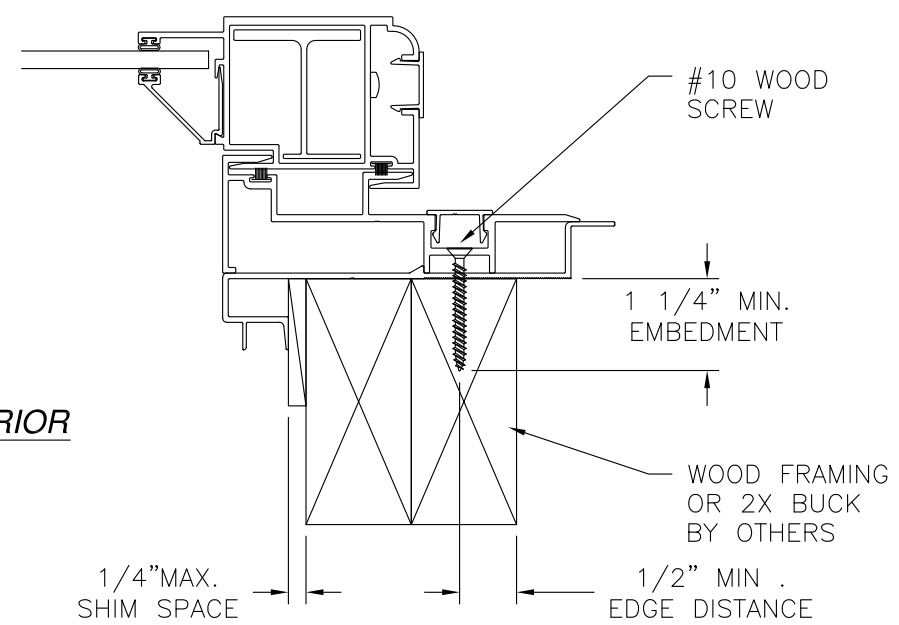
| | | |
|---|---|-----------------------|
|  <p>Eastern ARCHITECTURAL SYSTEMS ALUMINUM AND VINYL IMPACT WINDOWS AND DOORS</p> | <p>EASTERN ARCHITECTURAL SYSTEMS A DIVISION OF EASTERN METAL SUPPLY</p> <p>16341 DOMESTIC AVE FORT MYERS, FL 33912 800-432-2204</p> | |
| | <p>SERIES FD8100-NI ALUMINUM SLIDING GLASS POCKET DOOR 4-TRACK INSTALLATION DETAILS</p> | |
| <p>DRAWN: V.L.</p> | <p>DWG NO. 08-02671</p> | <p>REV -</p> |
| <p>SCALE NTS</p> | <p>DATE 03/30/15</p> | <p>SHEET 11 OF 12</p> |



| REVISIONS | | | |
|-----------|-------------|------|----------|
| REV | DESCRIPTION | DATE | APPROVED |
| | | | |

INTERIOR

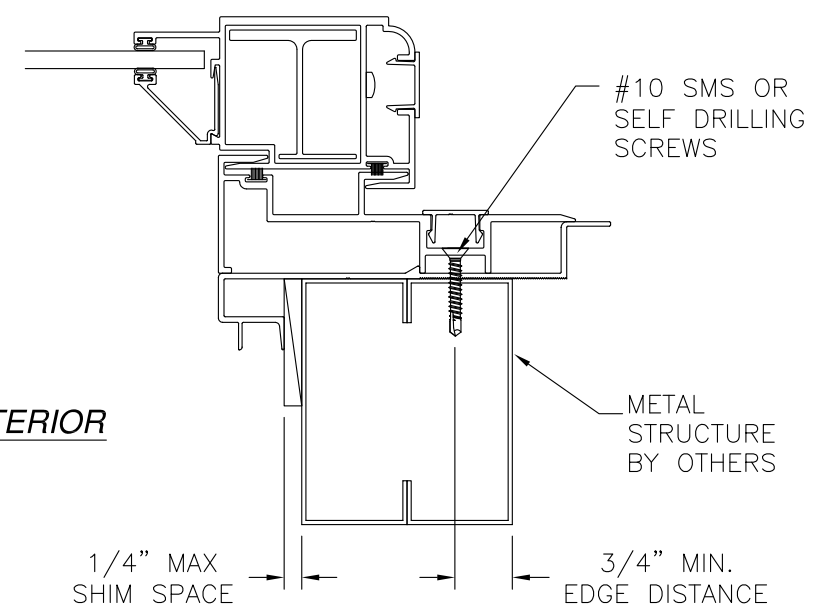
EXTERIOR



HOOK INSTALLATION DETAIL
WOOD FRAMING OR 2X BUCK INSTALLATION

INTERIOR


EXTERIOR



HOOK INSTALLATION DETAIL
METAL STRUCTURE INSTALLATION

- NOTES:
1. INTERIOR AND EXTERIOR FINISHES, BY OTHERS, NOT SHOWN FOR CLARITY.
 2. PERIMETER AND JOINT SEALANT BY OTHERS TO BE DESIGNED IN ACCORDANCE WITH ASTM E2112

SIGNED: 04/30/2015

| | | |
|---|---------------------|--|
|  | | EASTERN ARCHITECTURAL SYSTEMS A DIVISION OF EASTERN METAL SUPPLY 16341 DOMESTIC AVE FORT MYERS, FL 33912 800-432-2204 |
| SERIES FD8100-NI ALUMINUM SLIDING GLASS POCKET DOOR HOOK INSTALLATION DETAILS | | |
| DRAWN: V.L. | DWG NO. 08-02671 | REV - |
| SCALE NTS | DATE 03/30/15 | SHEET 12 OF 12 |

