

REVISIONS			
REV	DESCRIPTION	DATE	APPROVED
A	REVISED PER NEW REQUIREMENTS	01/09/18	R.L.
B	REVISED GLAZING DETAILS	05/01/23	R.L.


NOTES:

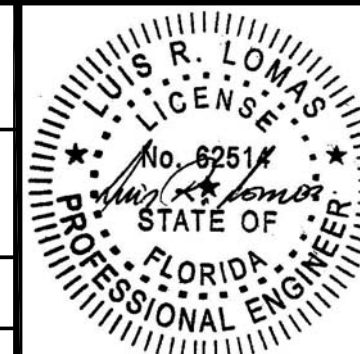
1. THE PRODUCT SHOWN HEREIN IS DESIGNED AND MANUFACTURED TO COMPLY WITH REQUIREMENTS OF THE FLORIDA BUILDING CODE INCLUDING THE HVHZ.
2. WOOD FRAMING AND MASONRY OPENING TO BE DESIGNED AND ANCHORED TO PROPERLY TRANSFER ALL LOADS TO STRUCTURE. FRAMING AND MASONRY OPENING IS THE RESPONSIBILITY OF THE ARCHITECT OR ENGINEER OF RECORD.
3. WHERE 1X BUCK IS NOT USED DISSIMILAR MATERIALS MUST BE SEPARATED WITH APPROVED COATING OR MEMBRANE. SELECTION OF COATING OR MEMBRANE IS THE RESPONSIBILITY OF THE ARCHITECT OR ENGINEER OF RECORD.
4. ALLOWABLE STRESS INCREASE OF 1/3 WAS NOT USED IN THE DESIGN OF THE PRODUCT SHOWN HEREIN. WIND LOAD DURATION FACTOR Cd=1.6 WAS USED FOR WOOD ANCHOR CALCULATIONS.
5. FRAME MATERIAL: EXTRUDED ALUMINUM 6063-T6.
6. UNITS MUST BE GLAZED PER ASTM E1300, SEE SHEET 6 FOR GLASS DETAILS.
7. APPROVED IMPACT PROTECTIVE SYSTEM IS NOT REQUIRED FOR THIS PRODUCT IN WIND BORNE DEBRIS REGIONS.
8. SHIM AS REQUIRED AT EACH INSTALLATION ANCHOR WITH LOAD BEARING SHIM. SHIM WHERE SPACE OF 1/16" OR GREATER OCCURS. MAXIMUM ALLOWABLE SHIM STACK TO BE 1/4".
9. FOR ANCHORING INTO WOOD FRAMING OR 2X BUCK USE #14 WOOD SCREWS WITH SUFFICIENT LENGTH TO ACHIEVE A 1 7/16" MINIMUM EMBEDMENT INTO SUBSTRATE. LOCATE ANCHORS AS SHOWN IN ELEVATIONS AND INSTALLATION DETAILS.
10. FOR ANCHORING INTO MASONRY/CONCRETE USE 1/4" TAPCONS WITH SUFFICIENT LENGTH TO ACHIEVE A 1 1/4" MINIMUM EMBEDMENT INTO SUBSTRATE WITH 1 1/2" MINIMUM EDGE DISTANCE. LOCATE ANCHORS AS SHOWN IN ELEVATIONS AND INSTALLATION DETAILS.
11. FOR ANCHORING TROUGH FRAME INTO METAL STRUCTURE USE #14 SMS OR SELF DRILLING SCREWS WITH SUFFICIENT LENGTH TO ACHIEVE 3 THREADS MINIMUM BEYOND STRUCTURE INTERIOR WALL. LOCATE ANCHORS AS SHOWN IN ELEVATIONS AND INSTALLATION DETAILS.

12. ALL FASTENERS TO BE CORROSION RESISTANT.
13. INSTALLATION ANCHORS SHALL BE INSTALLED IN ACCORDANCE WITH ANCHOR MANUFACTURER'S INSTALLATION INSTRUCTIONS AND ANCHORS SHALL NOT BE USED IN SUBSTRATES WITH STRENGTHS LESS THAN THE MINIMUM STRENGTH SPECIFIED BELOW:
  - A. WOOD – MINIMUM SPECIFIC GRAVITY OF G=0.42
  - B. CONCRETE – MINIMUM COMPRESSIVE STRENGTH OF 3,192 PSI.
  - C. MASONRY – STRENGTH CONFORMANCE TO ASTM C-90, GRADE N, TYPE 1 (OR GREATER).
  - D. METAL STRUCTURE: STEEL 18GA, 33KSI OR ALUMINUM 6063-T5 .062" THICK MINIMUM

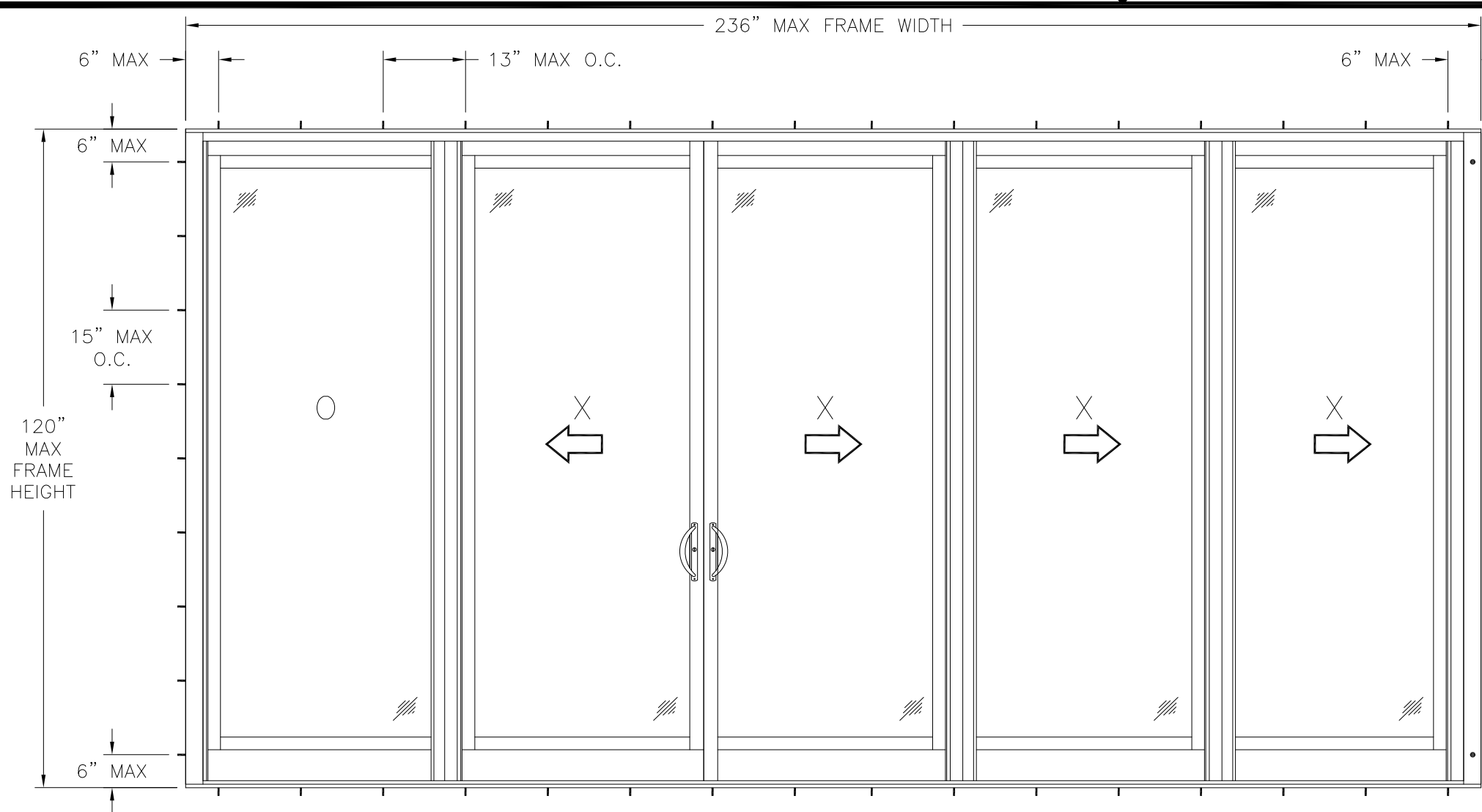
SIGNED: 05/01/2023

TABLE OF CONTENTS	
SHEET NO.	DESCRIPTION
1	NOTES
2	ELEVATION
3 - 12	INSTALLATION DETAILS

		EASTERN ARCHITECTURAL SYSTEMS A DIVISION OF EASTERN METAL SUPPLY 16341 DOMESTIC AVE FORT MYERS, FL 33912 800-432-2204	
SERIES FD8100 ALUMINUM IMPACT RATED SLIDING GLASS DOOR – 2 TRACK NOTES			
DRAWN: V.L.		DWG NO. 08-02674	
SCALE NTS		DATE 03/30/15	REV B
		SHEET 1 OF 6	
L. ROBERTO LOMAS P.E. 400 S. PALM AVE, INDIALANTIC, FL 32903 434-688-0609 rllomas@rlomaspe.com			



Luis R. Lomas P.E.  
FL No.: 62514



REVISIONS			
REV	DESCRIPTION	DATE	APPROVED
A	REVISED PER NEW REQUIREMENTS	01/09/18	R.L.
B	REVISED GLAZING DETAILS	05/01/23	R.L.

**SERIES FD8100 NI 2 TRACK ALUMINUM ALUMINUM SLIDING GLASS DOOR**

EXTERIOR VIEW

UNITS UP TO 5 PANELS IN UNLIMITED CONFIGURATIONS ARE APPROVED AS LONG AS INDIVIDUAL PANEL AREA DOES NOT EXCEED 40.56 FT<sup>2</sup>

WITH 1.675" SILL RISER

WITH 2.675" SILL RISER

WITH 3.675" SILL RISER

DESIGN PRESSURE RATING	IMPACT RATING
+40.0/-90.0PSF	LARGE AND SMALL MISSILE IMPACT

MISSILE LEVEL D, WIND ZONE 4 & HVHZ

DESIGN PRESSURE RATING	IMPACT RATING
+70.0/-90.0PSF	LARGE AND SMALL MISSILE IMPACT

MISSILE LEVEL D, WIND ZONE 4 & HVHZ

DESIGN PRESSURE RATING	IMPACT RATING
+90.0PSF	LARGE AND SMALL MISSILE IMPACT

MISSILE LEVEL D, WIND ZONE 4 & HVHZ

NOTES:

- (1) 1" X 3/16" WEEP SLOT 6" FROM EACH END, AND 48" ON CENTER THROUGH VERTICAL SILL LEG EXCEPT MOST INTERIOR SILL LEG.
- PANEL SIZE: 49 1/2" X 118"
- D.L.O.: 40 7/8" X 109 1/4"

**HARDWARE SCHEDULE**

A.	(1) ADJUSTABLE TANDEM WHEEL ROLLER ASSEMBLY AT EACH END OF EACH PANEL
B.	(2) 2-POINT MORTISE TYPE LOCKS ON LOCK STILE
C.	(2) MULTI-POINT KEEPERS AT ASTRAGAL
D.	(1) EXTRUDED ALUMINUM REINFORCEMENT TYPE H AT EACH PANEL INTERLOCK STILE
E.	(1) EXTRUDED ALUMINUM REINFORCEMENT "U" SHAPE AT BUTT STILE

SIGNED: 05/01/2023

**Eastern**  
ARCHITECTURAL SYSTEMS  
ALUMINUM AND VINYL  
IMPACT WINDOWS AND DOORS

EASTERN ARCHITECTURAL SYSTEMS  
A DIVISION OF  
EASTERN METAL SUPPLY  
16341 DOMESTIC AVE  
FORT MYERS, FL 33912  
800-432-2204

SERIES FD8100 ALUMINUM IMPACT RATED  
SLIDING GLASS DOOR – 2 TRACK  
ELEVATION

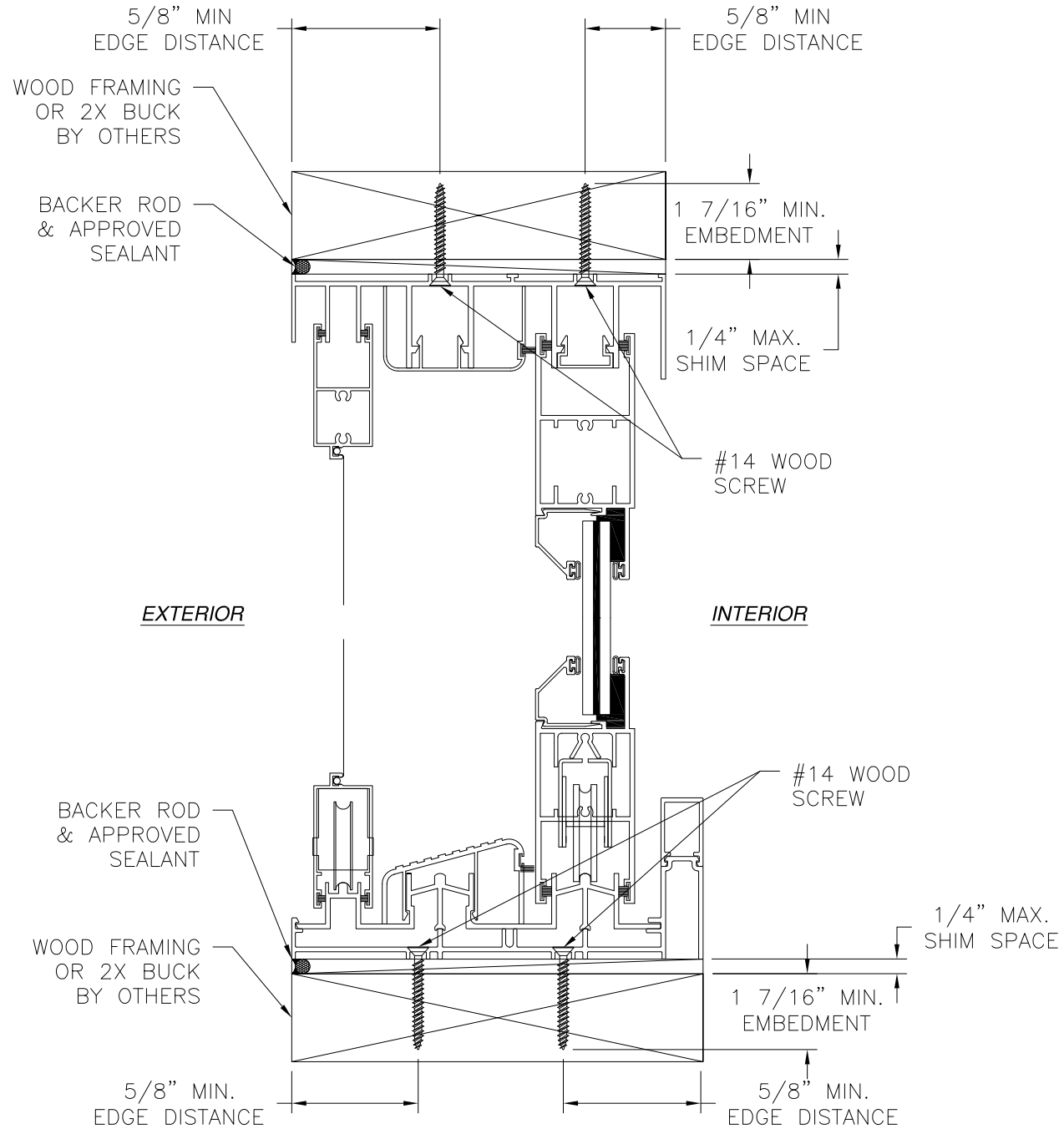
DRAWN: V.L.	DWG NO. 08-02674	REV B
SCALE NTS	DATE 03/30/15	SHEET 2 OF 6

L. ROBERTO LOMAS P.E.  
400 S. PALM AVE, INDIALANTIC, FL 32903  
434-688-0609 rllomas@rlomaspe.com

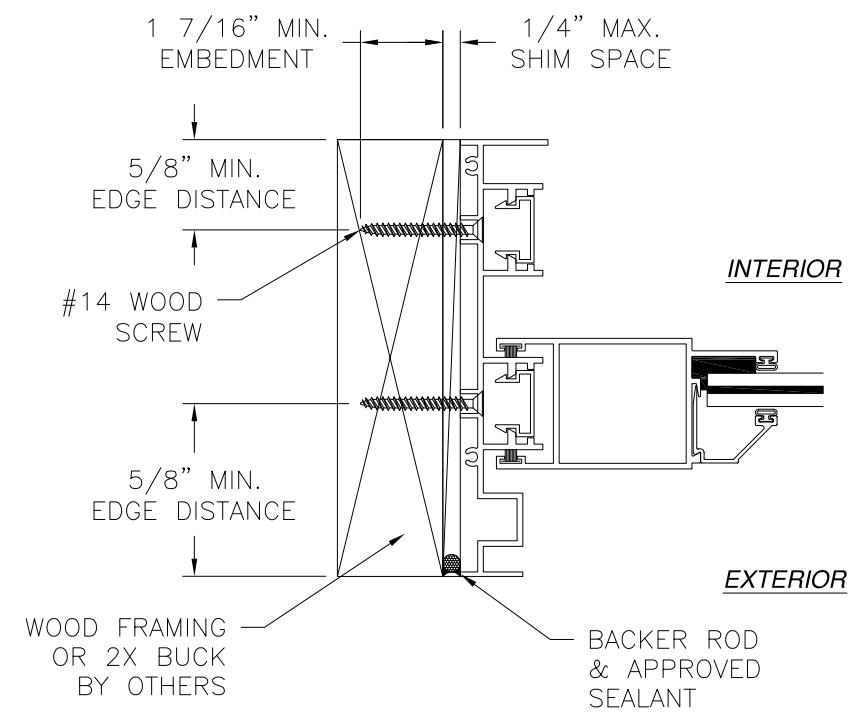


Luis R. Lomas P.E.  
FL No.: 62514

REVISIONS			
REV	DESCRIPTION	DATE	APPROVED
A	REVISED PER NEW REQUIREMENTS	01/09/18	R.L.
B	REVISED GLAZING DETAILS	05/01/23	R.L.



**VERTICAL CROSS SECTION**  
WOOD FRAMING OR 2X BUCK INSTALLATION

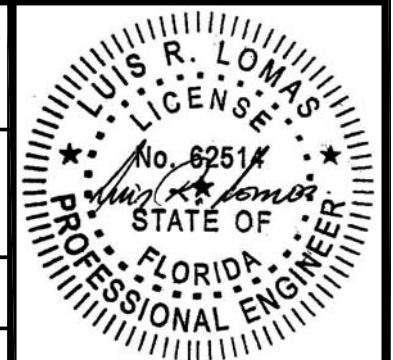


**JAMB INSTALLATION DETAIL**  
WOOD FRAMING OR 2X BUCK INSTALLATION

**NOTES:**  
 1. INTERIOR AND EXTERIOR FINISHES, BY OTHERS, NOT SHOWN FOR CLARITY.  
 2. PERIMETER AND JOINT SEALANT BY OTHERS TO BE DESIGNED IN ACCORDANCE WITH ASTM E2112

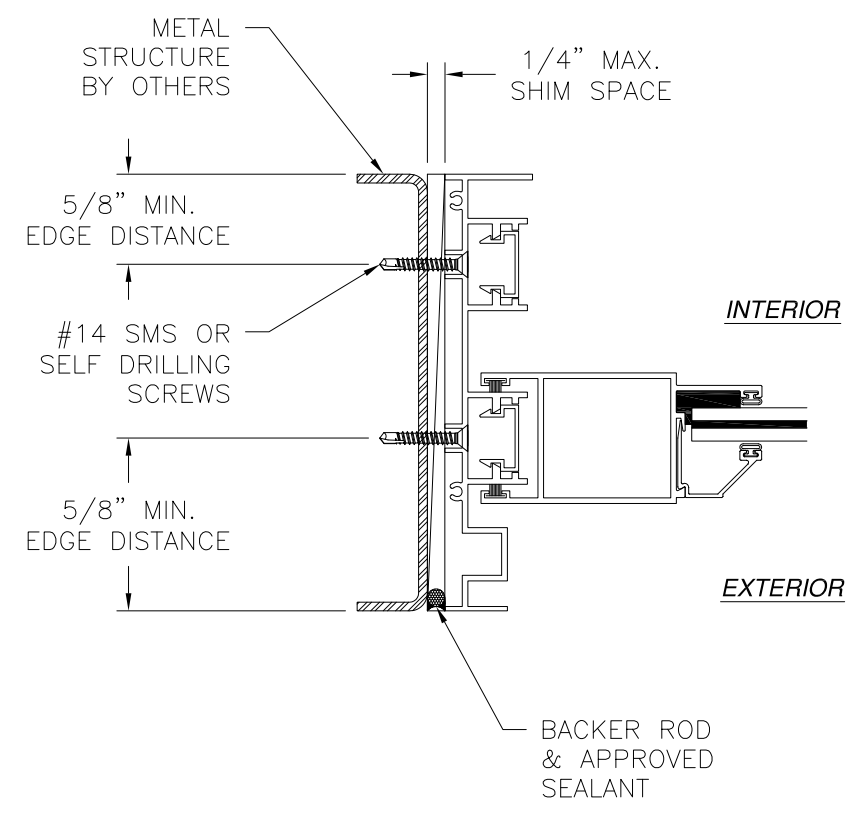
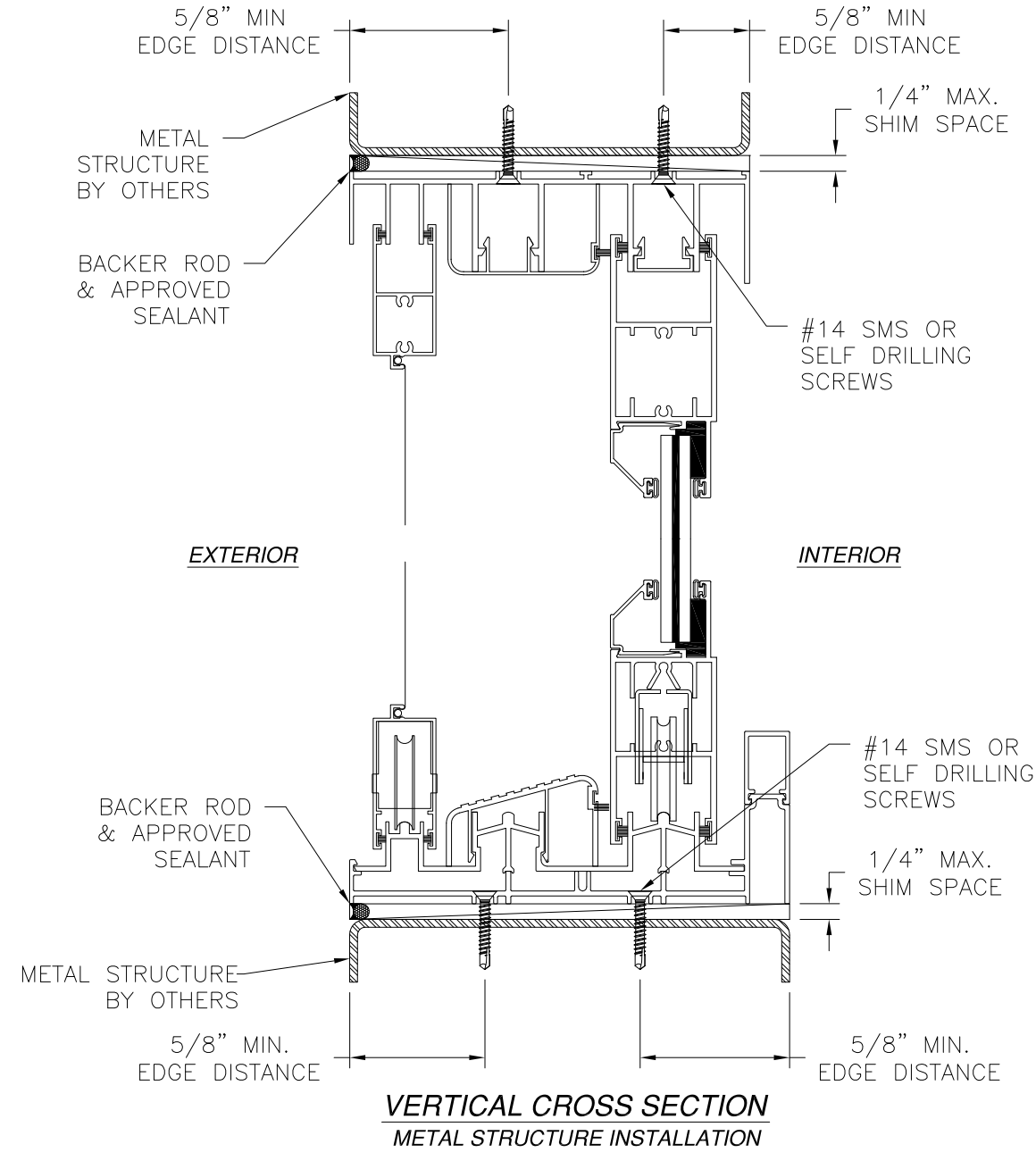
SIGNED: 05/01/2023

		EASTERN ARCHITECTURAL SYSTEMS A DIVISION OF EASTERN METAL SUPPLY 16341 DOMESTIC AVE FORT MYERS, FL 33912 800-432-2204	
SERIES FD8100 ALUMINUM IMPACT RATED SLIDING GLASS DOOR – 2 TRACK INSTALLATION DETAILS			
DRAWN: V.L.	DWG NO. 08-02674	REV B	
SCALE NTS	DATE 03/30/15	SHEET 3 OF 6	
L. ROBERTO LOMAS P.E. 400 S. PALM AVE, INDIALANTIC, FL 32903 434-688-0609 rllomas@rlomaspe.com			



Luis R. Lomas P.E.  
FL No.: 62514

REVISIONS			
REV	DESCRIPTION	DATE	APPROVED
A	REVISED PER NEW REQUIREMENTS	01/09/18	R.L.
B	REVISED GLAZING DETAILS	05/01/23	R.L.




**JAMB INSTALLATION DETAIL**  
METAL STRUCTURE INSTALLATION

**NOTES:**  
 1. INTERIOR AND EXTERIOR FINISHES, BY OTHERS, NOT SHOWN FOR CLARITY.  
 2. PERIMETER AND JOINT SEALANT BY OTHERS TO BE DESIGNED IN ACCORDANCE WITH ASTM E2112

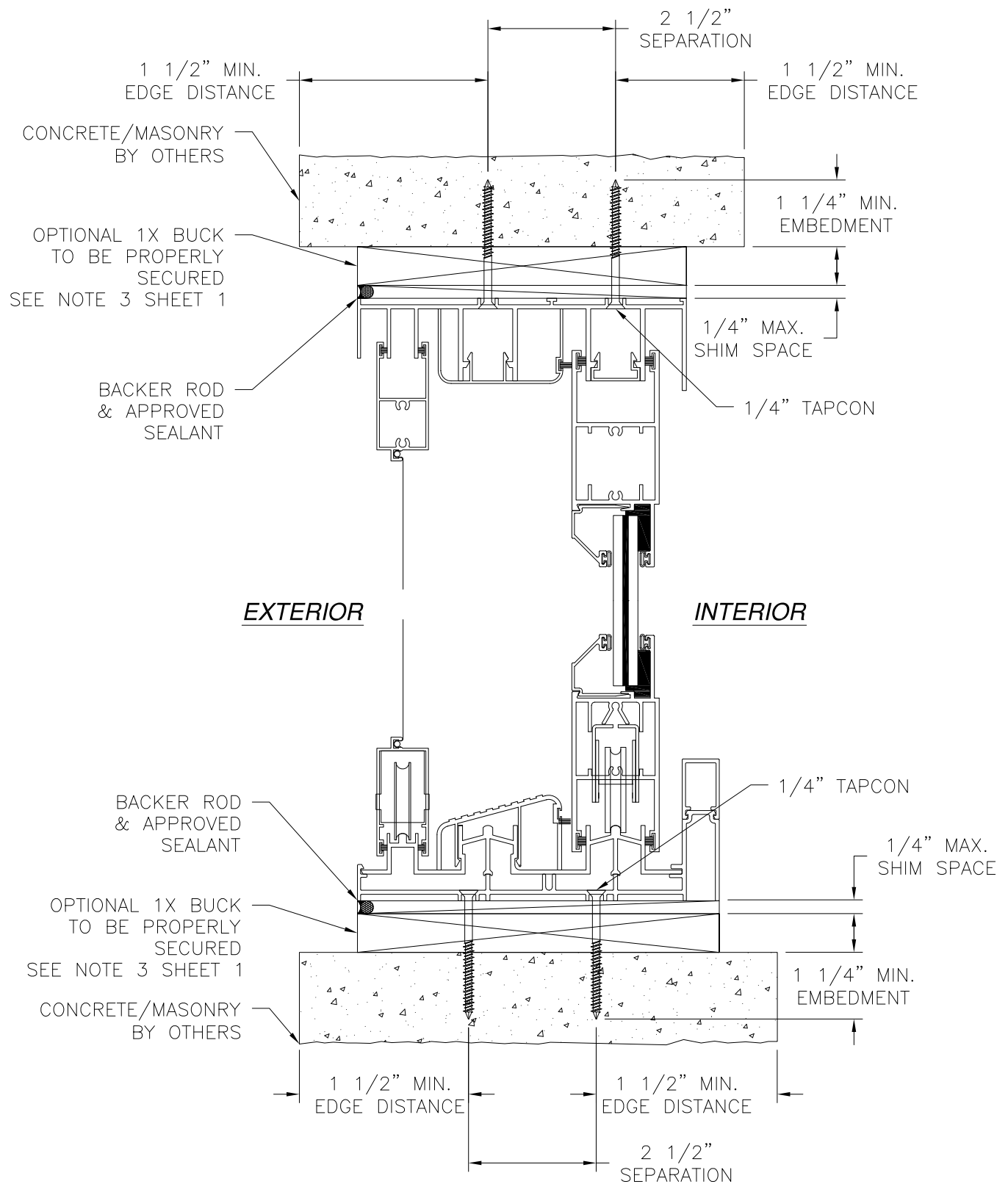
SIGNED: 05/01/2023

		EASTERN ARCHITECTURAL SYSTEMS A DIVISION OF EASTERN METAL SUPPLY 16341 DOMESTIC AVE FORT MYERS, FL 33912 800-432-2204	
SERIES FD8100 ALUMINUM IMPACT RATED SLIDING GLASS DOOR – 2 TRACK INSTALLATION DETAILS			
DRAWN: V.L.	DWG NO. 08-02674	REV B	
SCALE NTS	DATE 03/30/15	SHEET 4 OF 6	
L. ROBERTO LOMAS P.E. 400 S. PALM AVE, INDIALANTIC, FL 32903 434-688-0609 rllomas@rlomaspe.com			

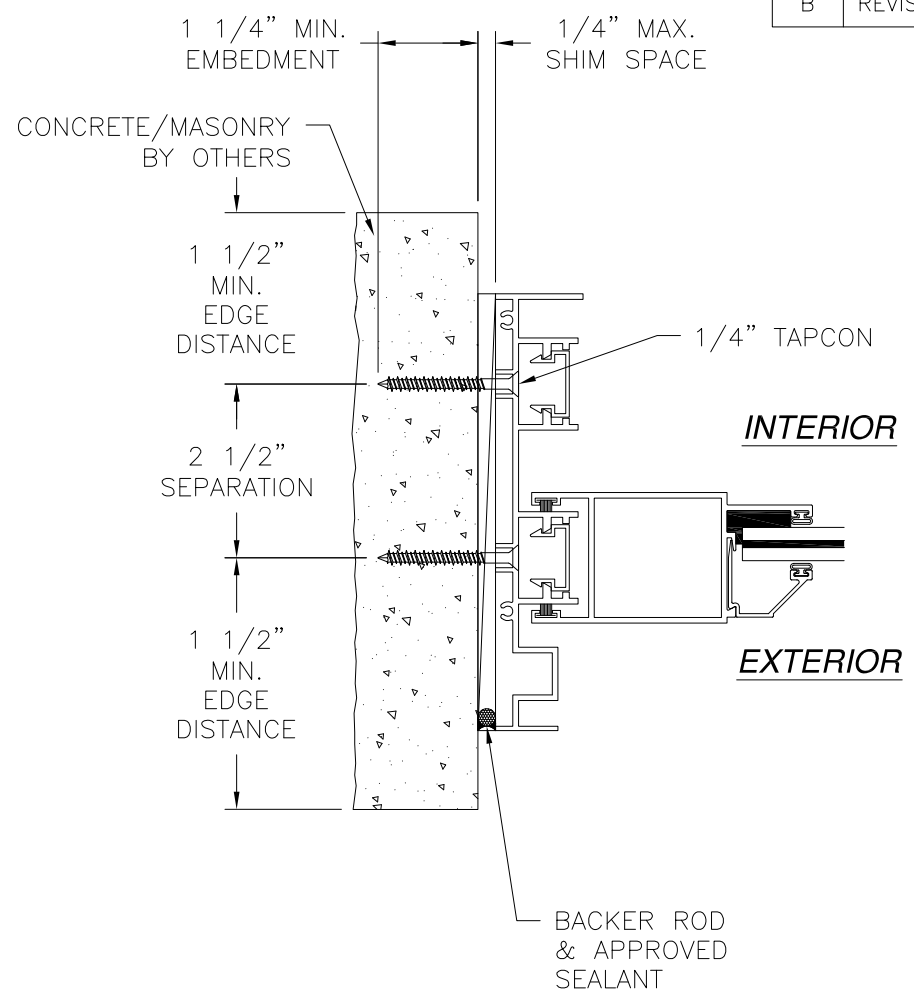


Luis R. Lomas P.E.  
FL No.: 62514

REVISIONS			
REV	DESCRIPTION	DATE	APPROVED
A	REVISED PER NEW REQUIREMENTS	01/09/18	R.L.
B	REVISED GLAZING DETAILS	05/01/23	R.L.




**VERTICAL CROSS SECTION**  
 CONCRETE/MASONRY WITH 1X BUCK INSTALLATION  
 FOR CONCRETE/MASONRY WITHOUT 1X BUCK REFER TO  
 JAMB INSTALLATION DETAIL



**JAMB INSTALLATION DETAIL**  
 CONCRETE/MASONRY WITHOUT 1X BUCK INSTALLATION  
 FOR CONCRETE/MASONRY WITH 1X BUCK REFER TO  
 HEAD AND SILL INSTALLATION DETAILS

**NOTES:**  
 1. INTERIOR AND EXTERIOR FINISHES, BY OTHERS, NOT SHOWN FOR CLARITY.  
 2. PERIMETER AND JOINT SEALANT BY OTHERS TO BE DESIGNED IN ACCORDANCE WITH ASTM E2112



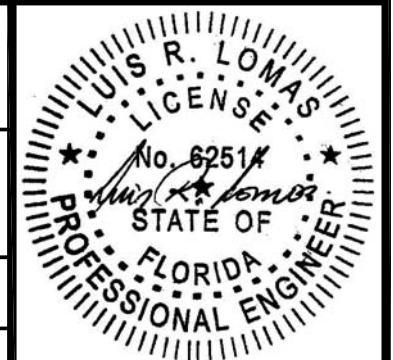
EASTERN ARCHITECTURAL SYSTEMS  
 A DIVISION OF  
 EASTERN METAL SUPPLY  
 16341 DOMESTIC AVE  
 FORT MYERS, FL 33912  
 800-432-2204

**SERIES FD8100 ALUMINUM IMPACT RATED  
 SLIDING GLASS DOOR – 2 TRACK  
 INSTALLATION DETAILS**

DRAWN: V.L.	DWG NO. 08-02674	REV B
SCALE NTS	DATE 03/30/15	SHEET 5 OF 6

L. ROBERTO LOMAS P.E.  
 400 S. PALM AVE, INDIALANTIC, FL 32903  
 434-688-0609 rllomas@rlomaspe.com

SIGNED: 05/01/2023



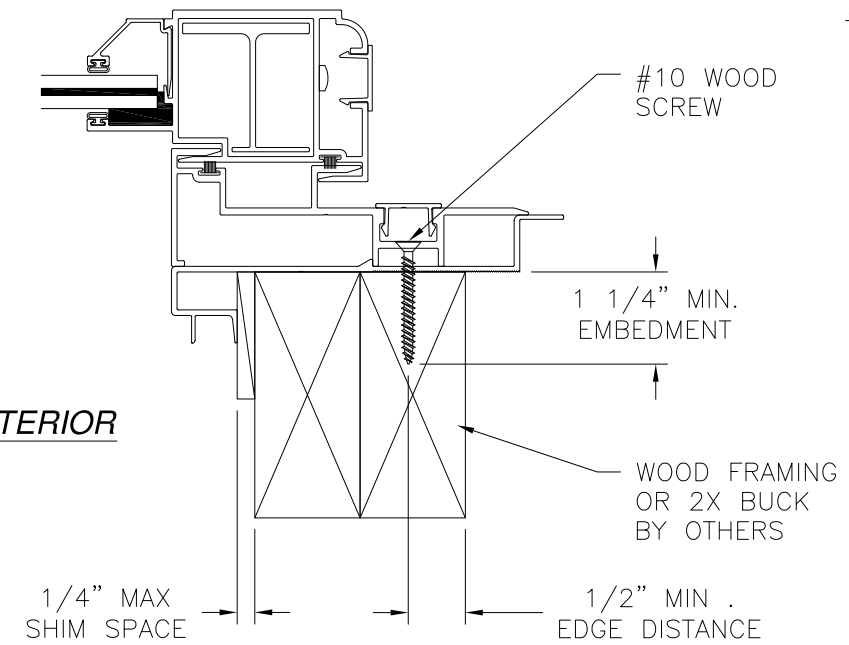
Luis R. Lomas P.E.  
 FL No.: 62514

REVISIONS

REV	DESCRIPTION	DATE	APPROVED
A	REVISED PER NEW REQUIREMENTS	01/09/18	R.L.
B	REVISED GLAZING DETAILS	05/01/23	R.L.

**INTERIOR**

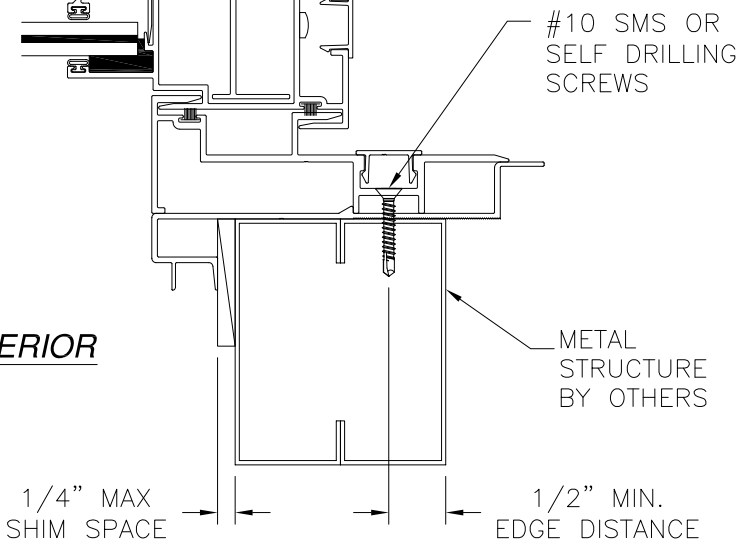
**EXTERIOR**



**HOOK INSTALLATION DETAIL**  
WOOD FRAMING OR 2X BUCK INSTALLATION

**INTERIOR**

**EXTERIOR**

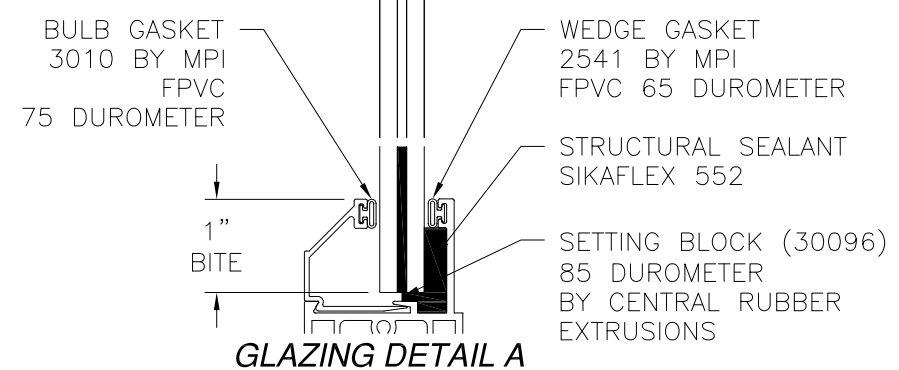


**HOOK INSTALLATION DETAIL**  
METAL STRUCTURE INSTALLATION

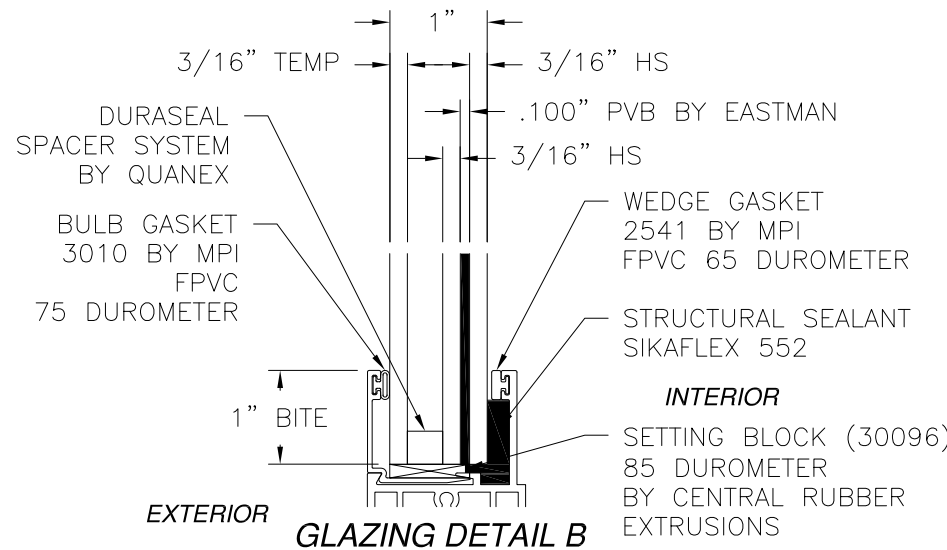
**NOTES:**

1. INTERIOR AND EXTERIOR FINISHES, BY OTHERS, NOT SHOWN FOR CLARITY.
2. PERIMETER AND JOINT SEALANT BY OTHERS TO BE DESIGNED IN ACCORDANCE WITH ASTM E2112


**EXTERIOR**      **INTERIOR**



**GLAZING DETAIL A**



**GLAZING DETAIL B**



**Eastern**  
ARCHITECTURAL SYSTEMS  
ALUMINUM AND VINYL  
IMPACT WINDOWS AND DOORS

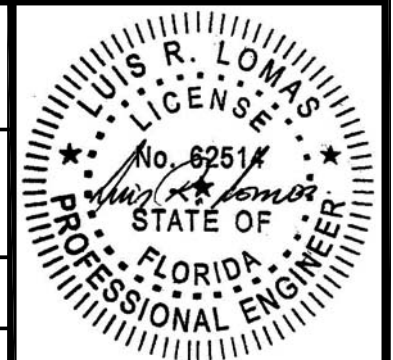
EASTERN ARCHITECTURAL SYSTEMS  
A DIVISION OF  
EASTERN METAL SUPPLY  
16341 DOMESTIC AVE  
FORT MYERS, FL 33912  
800-432-2204

**SERIES FD8100 ALUMINUM IMPACT RATED  
SLIDING GLASS DOOR – 2 TRACK  
INSTALLATION DETAILS**

DRAWN: V.L.	DWG NO. 08-02674	REV B
SCALE NTS	DATE 03/30/15	SHEET 6 OF 6

L. ROBERTO LOMAS P.E.  
400 S. PALM AVE, INDIALANTIC, FL 32903  
434-688-0609 rllomas@rlomaspe.com

SIGNED: 05/01/2023



Luis R. Lomas P.E.  
FL No.: 62514