

REVISIONS			
REV	DESCRIPTION	DATE	APPROVED
A	MANUFACTURER'S NAME CHANGE	03/04/09	R.L.
B	UPDATED PER NEW CERTIFICATIONS	06/26/14	R.L.
C	REVISED INSTALLATION DETAILS	06/19/15	R.L.


NOTES:

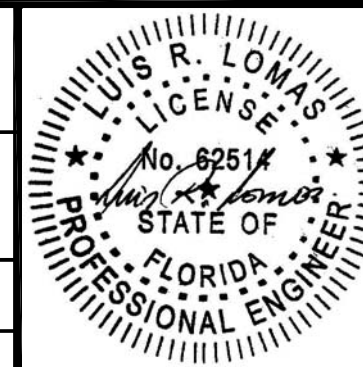
1. THE PRODUCT SHOWN HEREIN IS DESIGNED AND MANUFACTURED TO COMPLY WITH REQUIREMENTS OF THE FLORIDA BUILDING CODE.
2. WOOD FRAMING AND MASONRY OPENING TO BE DESIGNED AND ANCHORED TO PROPERLY TRANSFER ALL LOADS TO STRUCTURE. FRAMING AND MASONRY OPENING IS THE RESPONSIBILITY OF THE ARCHITECT OR ENGINEER OF RECORD.
3. 1X BUCK OVER MASONRY/CONCRETE IS OPTIONAL.
4. WHERE SHIM OR BUCK THICKNESS IS LESS THAN 1-1/2" WINDOW UNITS MUST BE ANCHORED THROUGH THE FRAME IN ACCORDANCE WITH MANUFACTURER'S PUBLISHED INSTALLATION INSTRUCTIONS. ANCHORS SHALL BE SECURELY FASTENED DIRECTLY INTO MASONRY, CONCRETE OR OTHER STRUCTURAL SUBSTRATE MATERIAL.
5. WHERE WOOD BUCK THICKNESS IS 1-1/2" OR GREATER, BUCK SHALL BE SECURELY FASTENED TO MASONRY, CONCRETE OR OTHER STRUCTURAL SUBSTRATE. WINDOW UNITS MAY BE ANCHORED THROUGH FRAME TO SECURED WOOD BUCK IN ACCORDANCE WITH MANUFACTURER'S PUBLISHED INSTALLATION INSTRUCTIONS.
6. WHERE 1X BUCK IS NOT USED DISSIMILAR MATERIALS MUST BE SEPARATED WITH APPROVED COATING OR MEMBRANE. SELECTION OF COATING OR MEMBRANE IS THE RESPONSIBILITY OF THE ARCHITECT OR ENGINEER OF RECORD.
7. BUCKS SHALL EXTEND BEYOND WINDOW INTERIOR FACE SO THAT FULL FRAME SUPPORT IS PROVIDED.
8. FOR FIN INSTALLATION SHIM AS NEEDED. FOR FRAME INSTALLATION SHIM AS REQUIRED AT EACH ANCHOR LOCATION WITH LOAD BEARING SHIM. SHIM WHERE SPACE OF 1/16" OR GREATER OCCURS. MAXIMUM ALLOWABLE SHIM STACK TO BE 1/4".
9. SHIMS SHALL BE LOCATED, APPLIED AND MADE FROM MATERIALS AND THICKNESS CAPABLE OF SUSTAINING APPLICABLE LOADS.
10. WIND LOAD DURATION FACTOR Cd=1.6 WAS USED FOR WOOD ANCHOR CALCULATIONS.
11. FRAME MATERIAL: EXTRUDED RIGID PVC.
12. UNITS MUST BE GLAZED PER ASTM E1300-04.
13. APPROVED IMPACT PROTECTIVE SYSTEM IS NOT REQUIRED FOR THIS PRODUCT IN WIND BORNE DEBRIS REGIONS.
14. FOR ANCHORING INTO WOOD FRAMING OR 2X BUCK USE #8 WOOD SCREWS WITH SUFFICIENT LENGTH TO ACHIEVE A 1 1/4" MINIMUM EMBEDMENT INTO SUBSTRATE. LOCATE ANCHORS AS SHOWN IN ELEVATIONS AND INSTALLATION DETAILS.

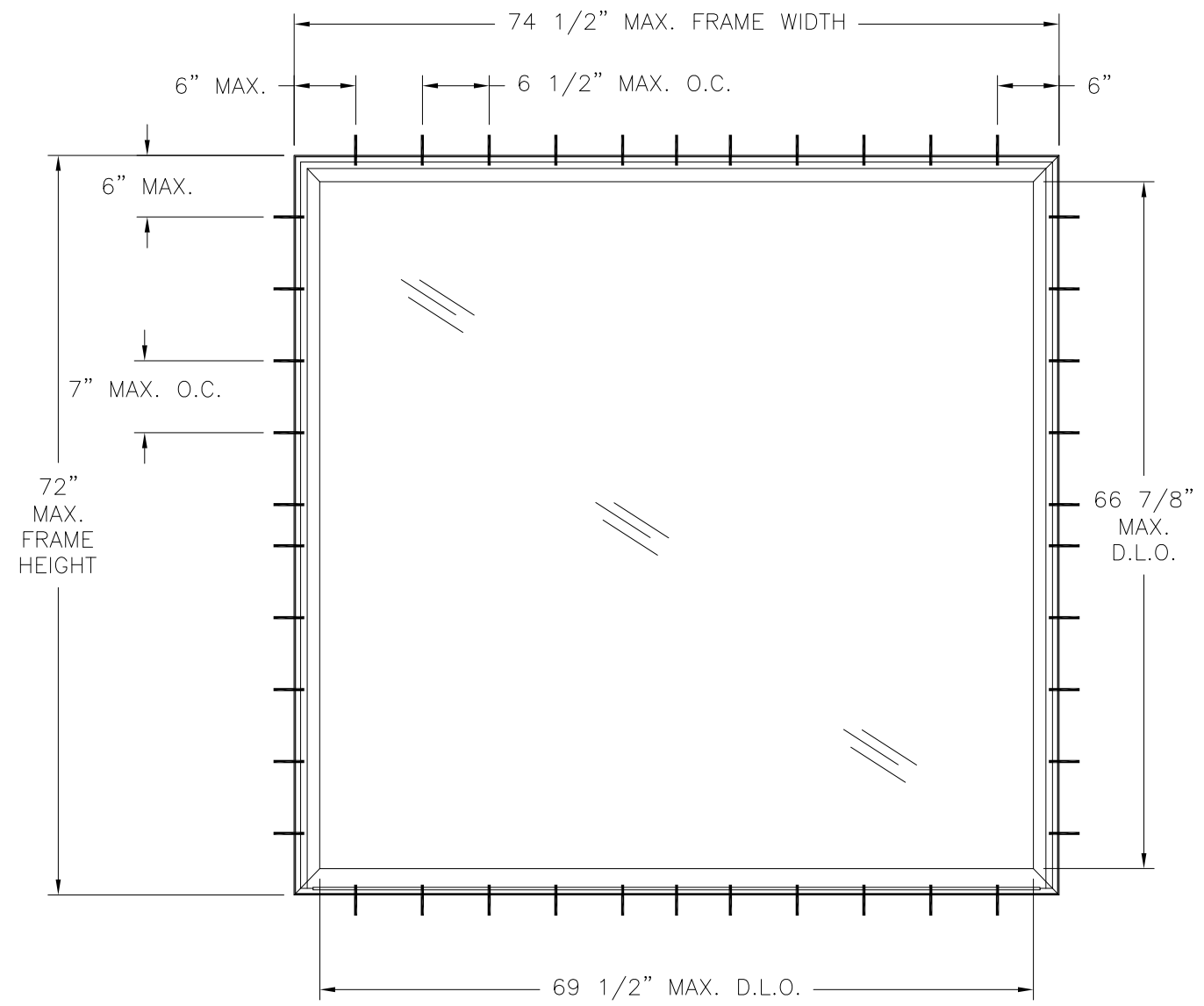
15. FOR ANCHORING INTO MASONRY/CONCRETE USE 3/16" TAPCONS WITH SUFFICIENT LENGTH TO ACHIEVE A 1 1/4" MINIMUM EMBEDMENT INTO SUBSTRATE WITH 2 1/2" MINIMUM EDGE DISTANCE. LOCATE ANCHORS AS SHOWN IN ELEVATIONS AND INSTALLATION DETAILS.
16. FOR ANCHORING INTO METAL STRUCTURE USE #8 SMS OR SELF DRILLING SCREWS WITH SUFFICIENT LENGTH TO ACHIEVE 3 THREADS MINIMUM BEYOND STRUCTURE INTERIOR WALL. LOCATE ANCHORS AS SHOWN IN ELEVATIONS AND INSTALLATION DETAILS.
17. ALL FASTENERS TO BE CORROSION RESISTANT.
18. INSTALLATION ANCHORS SHALL BE INSTALLED IN ACCORDANCE WITH ANCHOR MANUFACTURER'S INSTALLATION INSTRUCTIONS AND ANCHORS SHALL NOT BE USED IN SUBSTRATES WITH STRENGTHS LESS THAN THE MINIMUM STRENGTH SPECIFIED BELOW:
  - A. WOOD - MINIMUM SPECIFIC GRAVITY OF G=0.42
  - B. CONCRETE - MINIMUM COMPRESSIVE STRENGTH OF 3,192 PSI.
  - C. MASONRY - STRENGTH CONFORMANCE TO ASTM C-90, GRADE N, TYPE 1 (OR GREATER).
  - D. METAL STRUCTURE: STEEL 18GA, 33KSI OR ALUMINUM 6063-T5 1/8" THICK MINIMUM
19. UNITS MAY BE INSTALLED WITH OR WITHOUT ADD-ON FLANGE.
20. GEOMETRIC SHAPES ARE ALSO APPROVED. APPROVED GEOMETRIC SHAPES DIMENSIONS SHALL NOT EXCEED INSCRIBED DIMENSIONS OF APPROVED RECTANGULAR ASSEMBLY SHOWN IN SHEET 2. GEOMETRIC SHAPES ARE NOT LIMITED TO SHAPES SHOWN HEREIN.
21. UNITS MAY BE INSTALLED WITH OR WITHOUT FLANGE.

SIGNED: 06/22/2015

TABLE OF CONTENTS	
SHEET NO.	DESCRIPTION
1	ELEVATION AND GENERAL NOTES
2	INSTALLATION DETAILS

 <b>Eastern</b> ARCHITECTURAL SYSTEMS ALUMINUM AND VINYL IMPACT WINDOWS AND DOORS		EASTERN ARCHITECTURAL SYSTEMS A DIVISION OF EASTERN METAL SUPPLY 16341 DOMESTIC AVE FORT MYERS, FLORIDA 33912 800-432-2204	
1446 PICTURE WINDOW 75 x 72 ELEVATION AND GENERAL NOTES			
DRAWN: A.M		DWG NO. 08-00559	
SCALE NTS		DATE 7/29/08	
REV C			
SHEET 1 OF 4			





REVISIONS			
REV	DESCRIPTION	DATE	APPROVED
A	MANUFACTURER'S NAME CHANGE	03/04/09	R.L.
B	UPDATED PER NEW CERTIFICATIONS	06/26/14	R.L.
C	REVISED INSTALLATION DETAILS	06/19/15	R.L.

**1446 PICTURE WINDOW**  
EXTERIOR VIEW

DESIGN PRESSURE RATING	IMPACT RATING
±80.0PSF	NONE

SIGNED: 06/22/2015

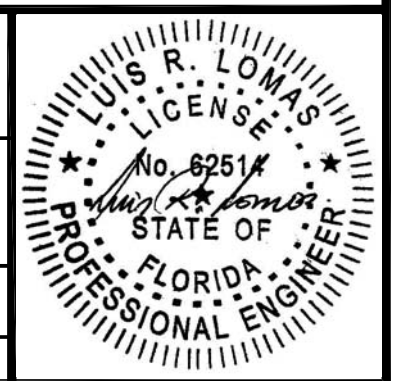


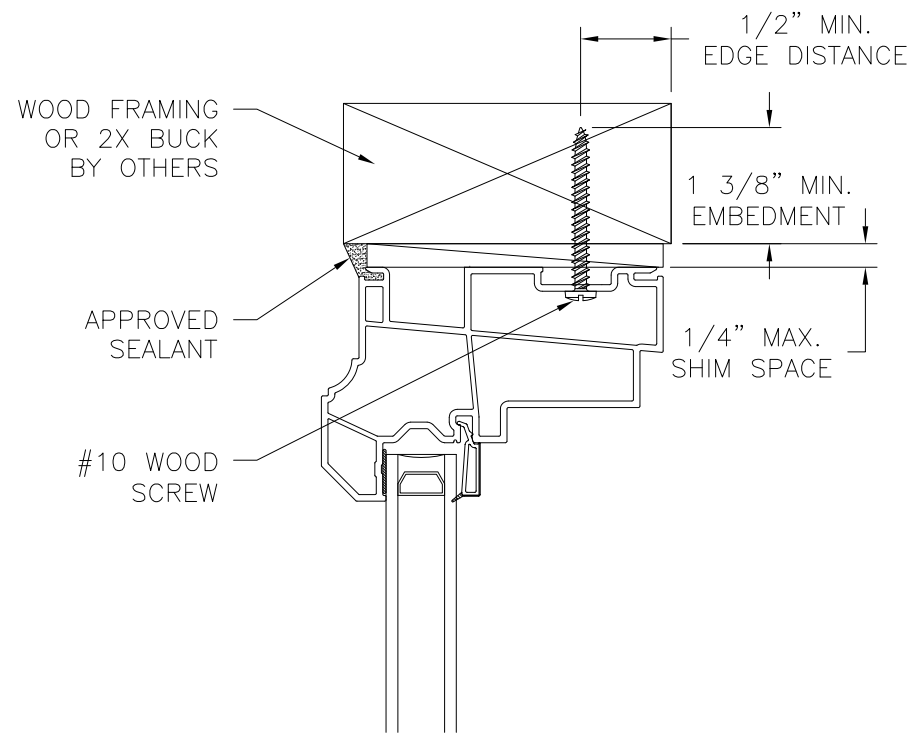
**Eastern**  
ARCHITECTURAL SYSTEMS  
ALUMINUM AND VINYL  
IMPACT WINDOWS AND DOORS

EASTERN ARCHITECTURAL SYSTEMS  
A DIVISION OF  
EASTERN METAL SUPPLY  
16341 DOMESTIC AVE  
FORT MYERS, FLORIDA 33912  
800-432-2204

1446 PICTURE WINDOW  
75 x 72  
ELEVATION

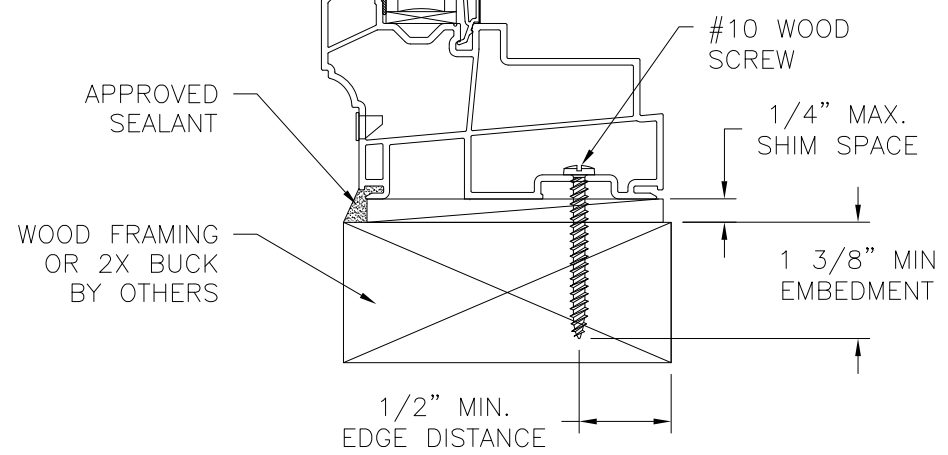
DRAWN: A.M	DWG NO. 08-00559	REV C
SCALE NTS	DATE 7/29/08	SHEET 2 OF 4



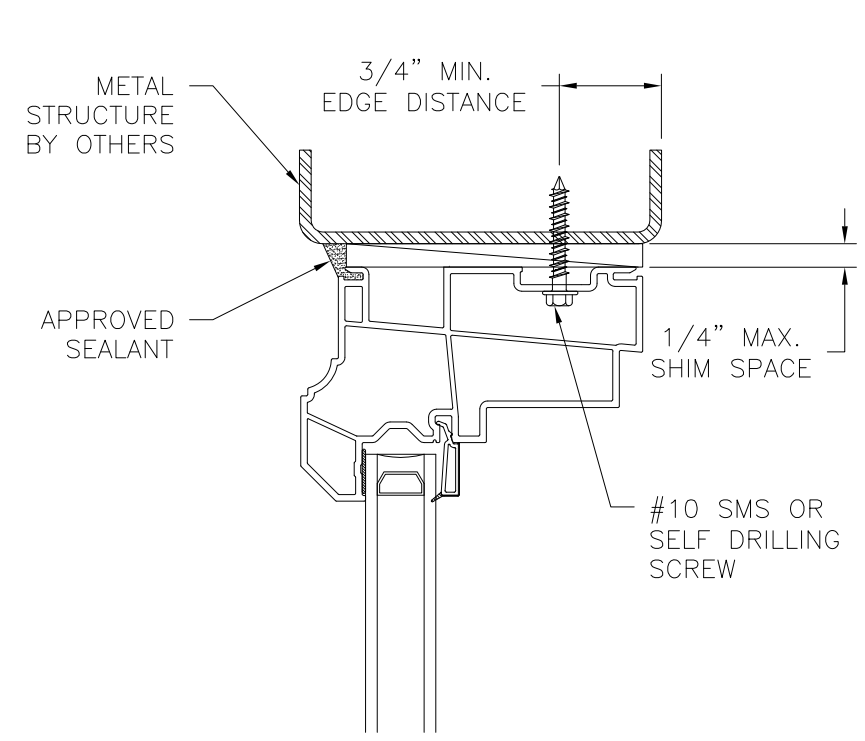


**EXTERIOR**

**INTERIOR**

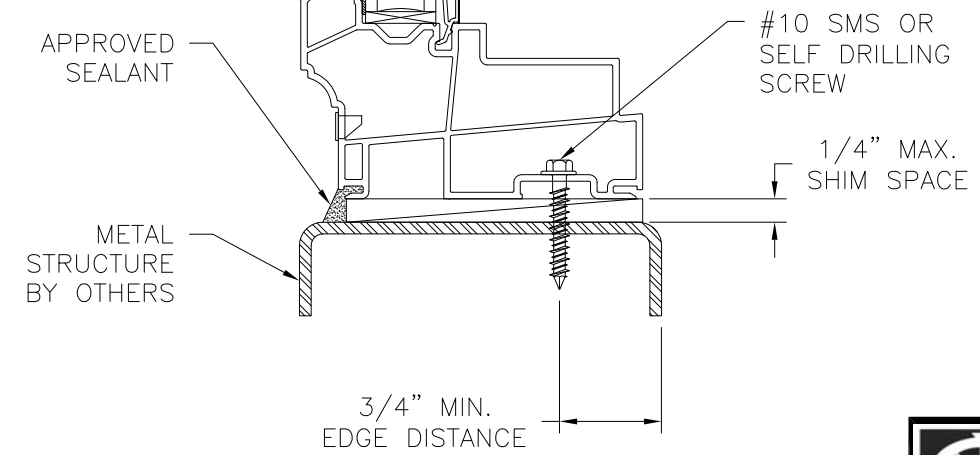


**VERTICAL CROSS SECTION  
WOOD FRAMING OR 2X BUCK INSTALLATION**



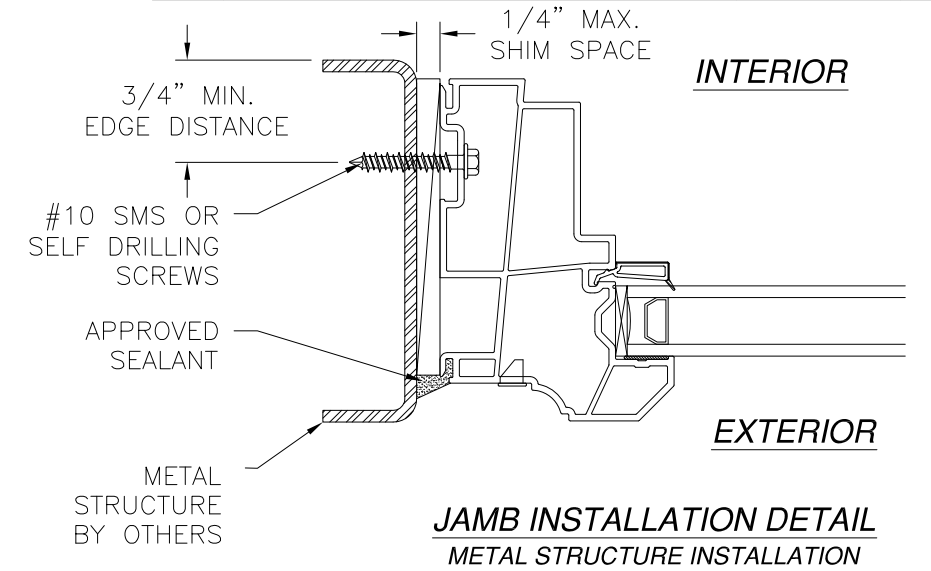
**EXTERIOR**

**INTERIOR**

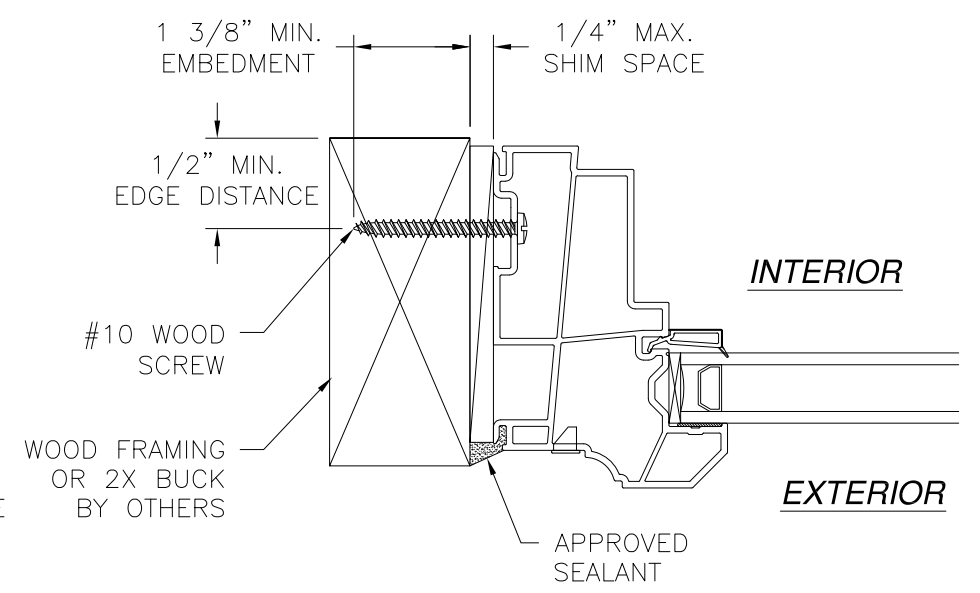


**VERTICAL CROSS SECTION  
METAL STRUCTURE INSTALLATION**

REVISIONS			
REV	DESCRIPTION	DATE	APPROVED
A	MANUFACTURER'S NAME CHANGE	03/04/09	R.L.
B	UPDATED PER NEW CERTIFICATIONS	06/26/14	R.L.
C	REVISED INSTALLATION DETAILS	06/19/15	R.L.



**JAMB INSTALLATION DETAIL  
METAL STRUCTURE INSTALLATION**



**JAMB INSTALLATION DETAIL  
WOOD FRAMING OR 2X BUCK INSTALLATION**

SIGNED: 06/22/2015

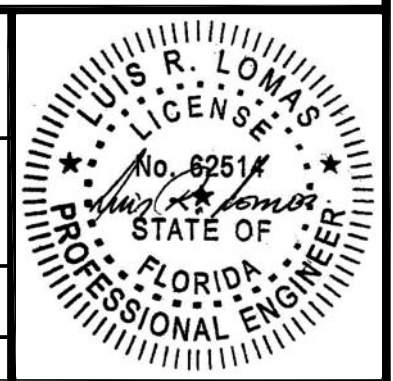
**NOTES:**  
 1. INTERIOR AND EXTERIOR FINISHES, BY OTHERS, NOT SHOWN FOR CLARITY.  
 2. PERIMETER AND JOINT SEALANT BY OTHERS TO BE DESIGNED IN ACCORDANCE WITH ASTM E2112

**Eastern** ARCHITECTURAL SYSTEMS  
 A DIVISION OF EASTERN METAL SUPPLY  
 16341 DOMESTIC AVE  
 FORT MYERS, FLORIDA 33912  
 800-432-2204

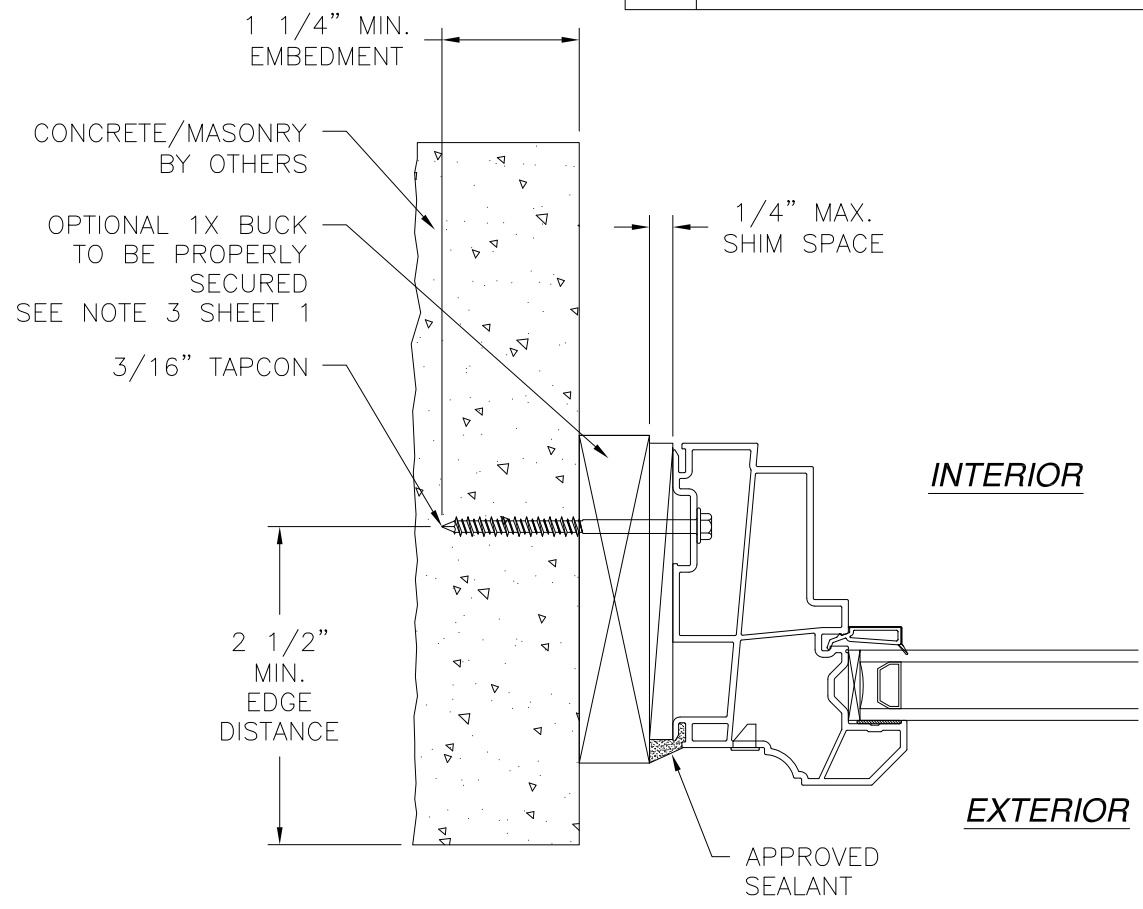
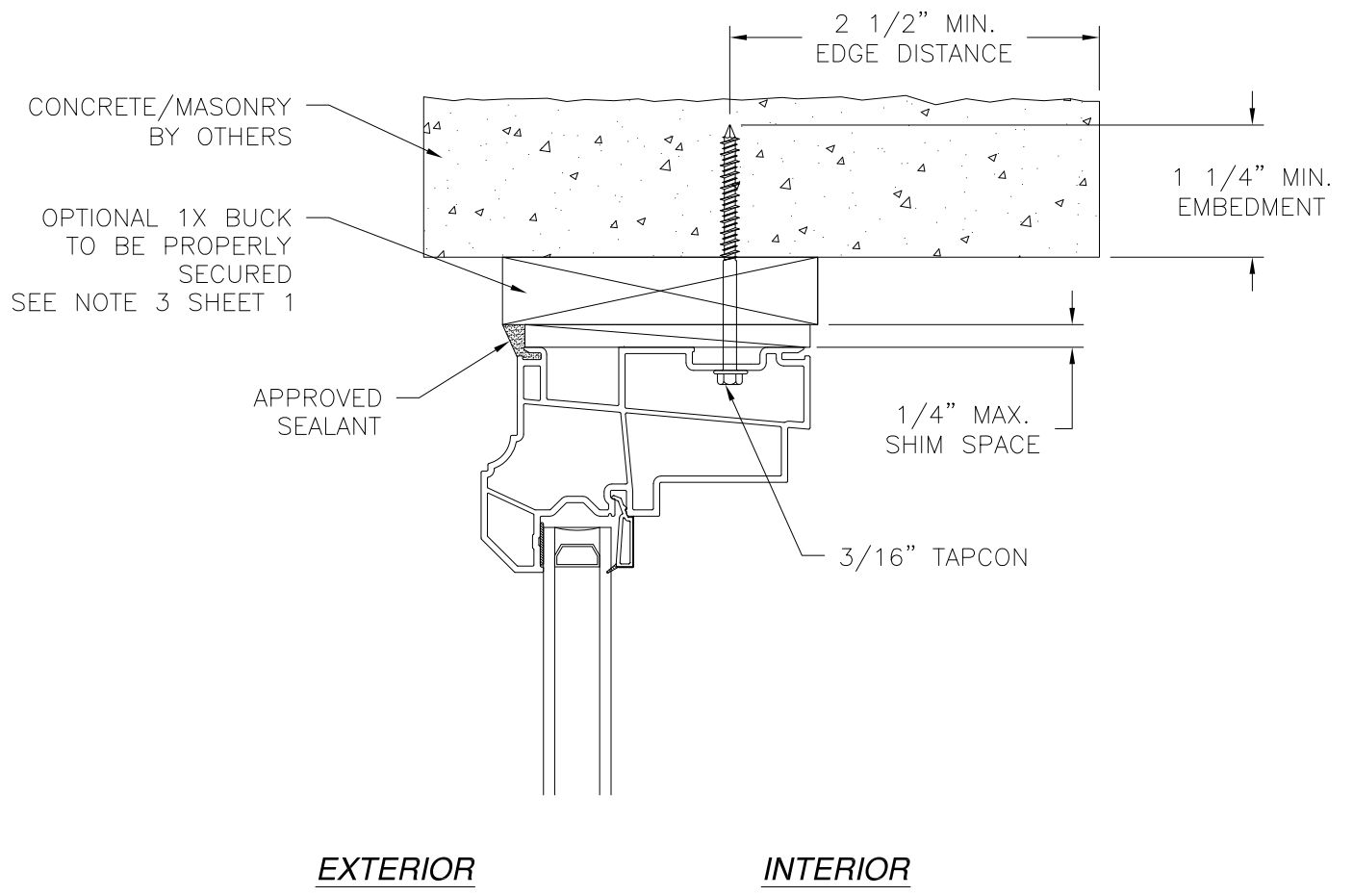
1446 PICTURE WINDOW  
 75 x 72  
 INSTALLATION DETAILS

DRAWN: A.M. DWG NO. 08-00559 REV C

SCALE NTS DATE 7/29/08 SHEET 3 OF 4

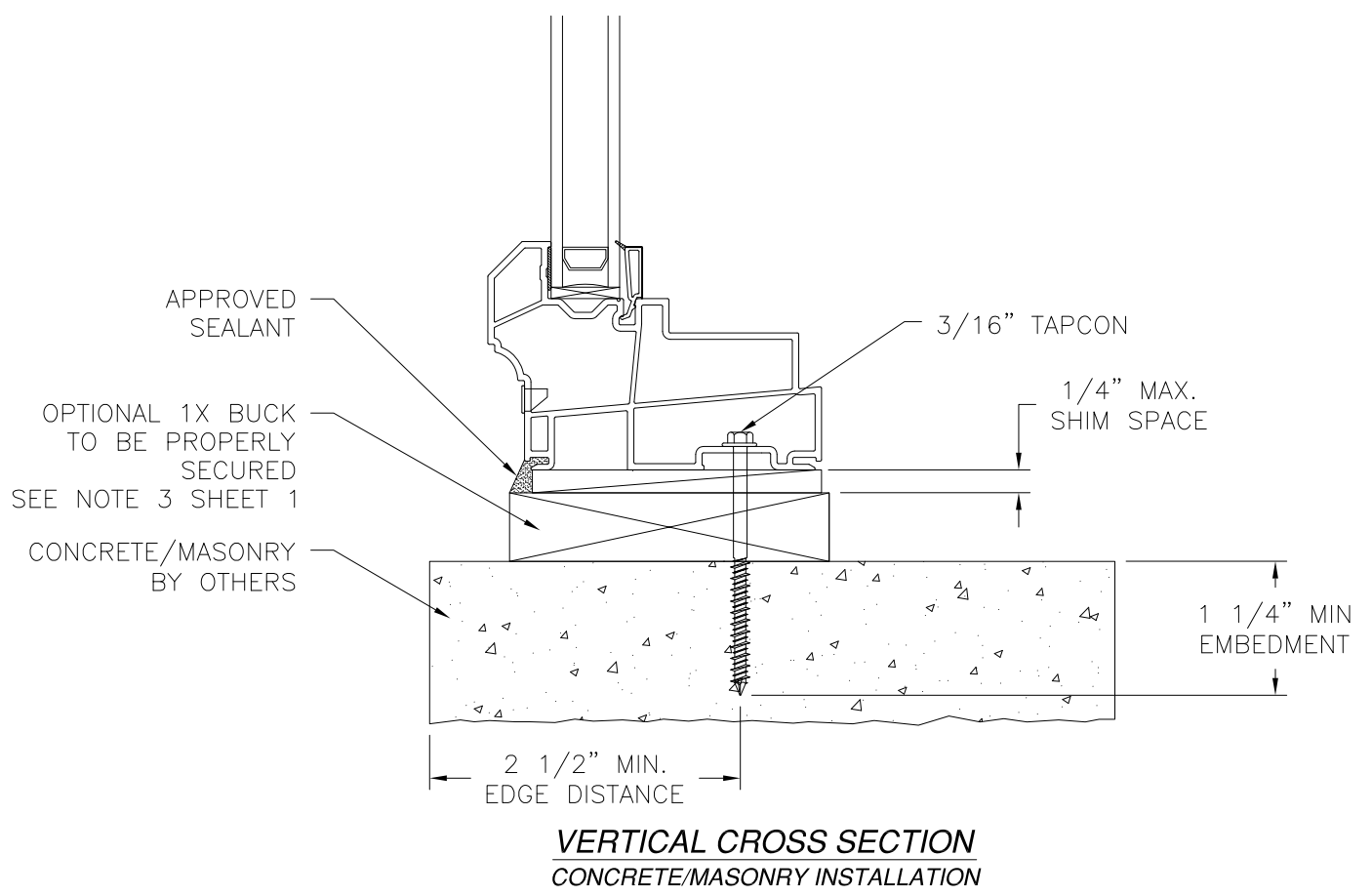


REVISIONS			
REV	DESCRIPTION	DATE	APPROVED
A	MANUFACTURER'S NAME CHANGE	03/04/09	R.L.
B	UPDATED PER NEW CERTIFICATIONS	06/26/14	R.L.
C	REVISED INSTALLATION DETAILS	06/19/15	R.L.



**JAMB INSTALLATION DETAIL**  
CONCRETE/MASONRY INSTALLATION

- NOTES:**
1. INTERIOR AND EXTERIOR FINISHES, BY OTHERS, NOT SHOWN FOR CLARITY.
  2. PERIMETER AND JOINT SEALANT BY OTHERS TO BE DESIGNED IN ACCORDANCE WITH ASTM E2112



SIGNED: 06/22/2015

**Eastern** ARCHITECTURAL SYSTEMS  
ALUMINUM AND VINYL IMPACT WINDOWS AND DOORS

EASTERN ARCHITECTURAL SYSTEMS  
A DIVISION OF  
EASTERN METAL SUPPLY

16341 DOMESTIC AVE  
FORT MYERS, FLORIDA 33912  
800-432-2204

1446 PICTURE WINDOW  
75 x 72  
INSTALLATION DETAILS

DRAWN: A.M. DWG NO. 08-00559 REV C

SCALE NTS DATE 7/29/08 SHEET 4 OF 4

