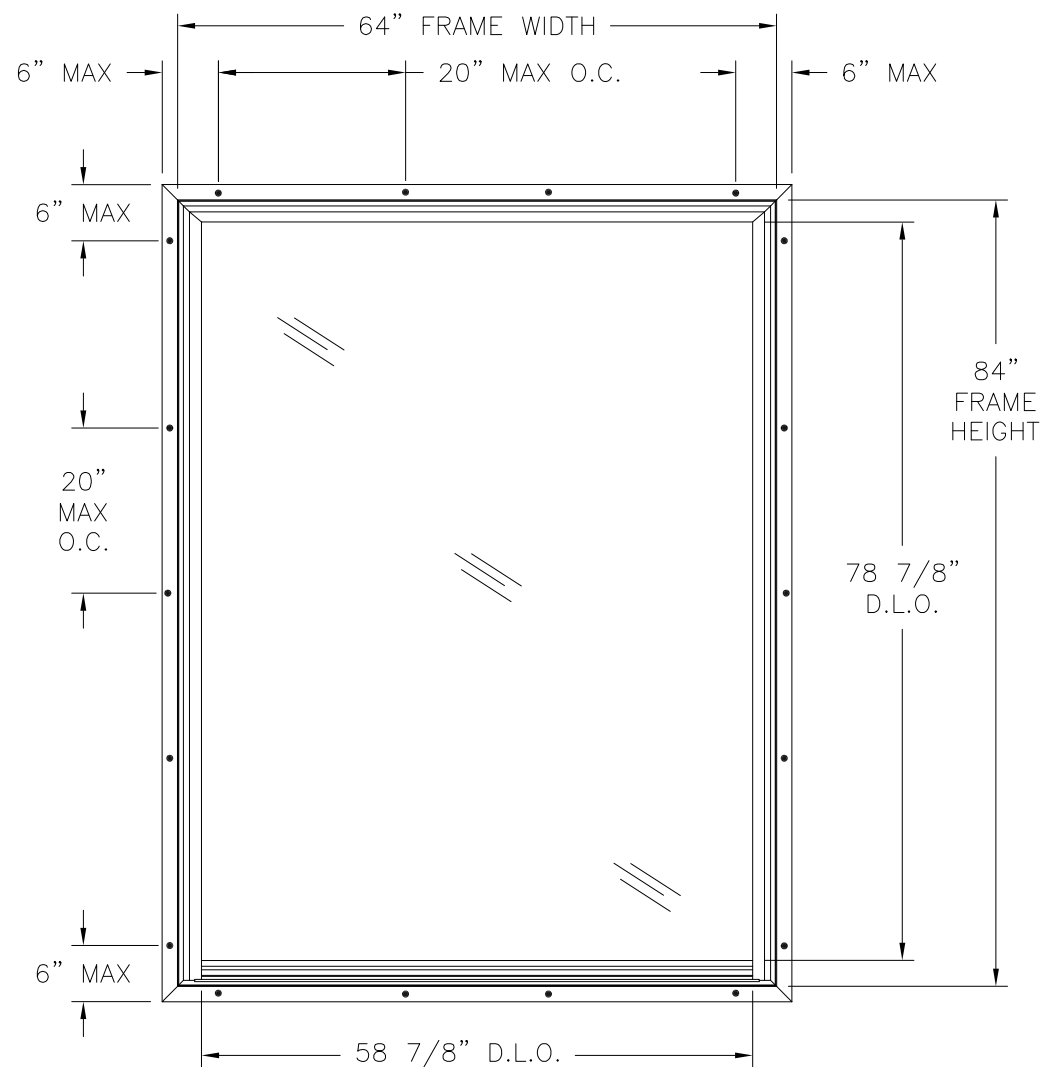


REVISIONS			
REV	DESCRIPTION	DATE	APPROVED
D	ADDED GLASSES	07/31/2023	R.L.



**SERIES 2456 FIXED WINDOW**  
EXTERIOR VIEW

DESIGN PRESSURE RATING	IMPACT RATING
±50.0PSF	LARGE & SMALL MISSILE IMPACT

MISSILE LEVEL D, WIND ZONE 4

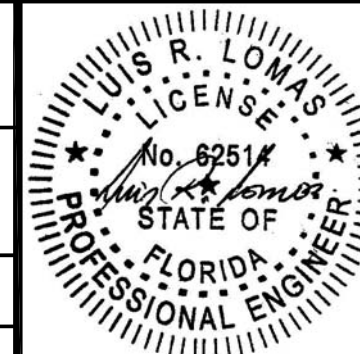
NOTES:

1. THE PRODUCT SHOWN HERE IN IS DESIGNED AND MANUFACTURED TO COMPLY WITH THE CURRENT FLORIDA BUILDING CODE.
2. WOOD FRAMING TO BE DESIGNED AND ANCHORED TO PROPERLY TRANSFER ALL LOADS TO STRUCTURE. FRAMING OPENING IS THE RESPONSIBILITY OF THE ARCHITECT OR ENGINEER OF RECORD.
3. CONTRACTOR IS RESPONSIBLE FOR MAINTAINING STRUCTURAL INTEGRITY OF WINDOW OPENING AND ALL WOOD FRAMING AROUND WINDOW.
4. UNITS MUST BE GLAZED PER ASTM E1300, SEE SHEET 3 FOR GLAZING DETAILS.
5. APPROVED IMPACT PROTECTIVE SYSTEM IS NOT REQUIRED FOR THIS PRODUCT IN WIND BORNE DEBRIS REGIONS.
6. SHIM AS REQUIRED AT EACH INSTALLATION ANCHOR WITH LOAD BEARING SHIM. SHIM WHERE SPACE OF 1/16" OR GREATER OCCURS. MAXIMUM ALLOWABLE SHIM STACK TO BE 1/4".
7. FOR INSTALLATION INTO WOOD FRAMING OR 2X BUCK USE #8 WOOD SCREW WITH SUFFICIENT LENGTH TO ACHIEVE A 1 1/4" MINIMUM EMBEDMENT INTO SUBSTRATE. LOCATE ANCHORS AS SHOWN IN ELEVATIONS AND INSTALLATION DETAILS.
8. ALL FASTENERS TO BE CORROSION RESISTANT.
9. INSTALLATION ANCHORS SHALL BE INSTALLED IN ACCORDANCE WITH ANCHOR MANUFACTURER'S INSTALLATION INSTRUCTIONS, AND ANCHORS SHALL NOT BE USED IN SUBSTRATES WITH STRENGTHS LESS THAN THE MINIMUM STRENGTH SPECIFIED BELOW:
  - 9.A. WOOD – MINIMUM SPECIFIC GRAVITY OF G=0.42
10. ALLOWABLE STRESS INCREASE OF 1/3 WAS NOT USED IN THE DESIGN OF THE PRODUCT SHOWN HEREIN. WIND LOAD DURATION FACTOR Cd=1.6 WAS USED FOR WOOD ANCHOR CALCULATIONS.
11. FRAME MATERIAL: RIGID PVC
12. GEOMETRIC SHAPES ARE ALSO APPROVED. APPROVED GEOMETRIC SHAPES DIMENSIONS SHALL NOT EXCEED INSCRIBED DIMENSIONS OF APPROVED RECTANGULAR ASSEMBLY SHOWN IN SHEET 2. GEOMETRIC SHAPES ARE NOT LIMITED TO SHAPES SHOWN HEREIN.

SIGNED: 11/03/2023

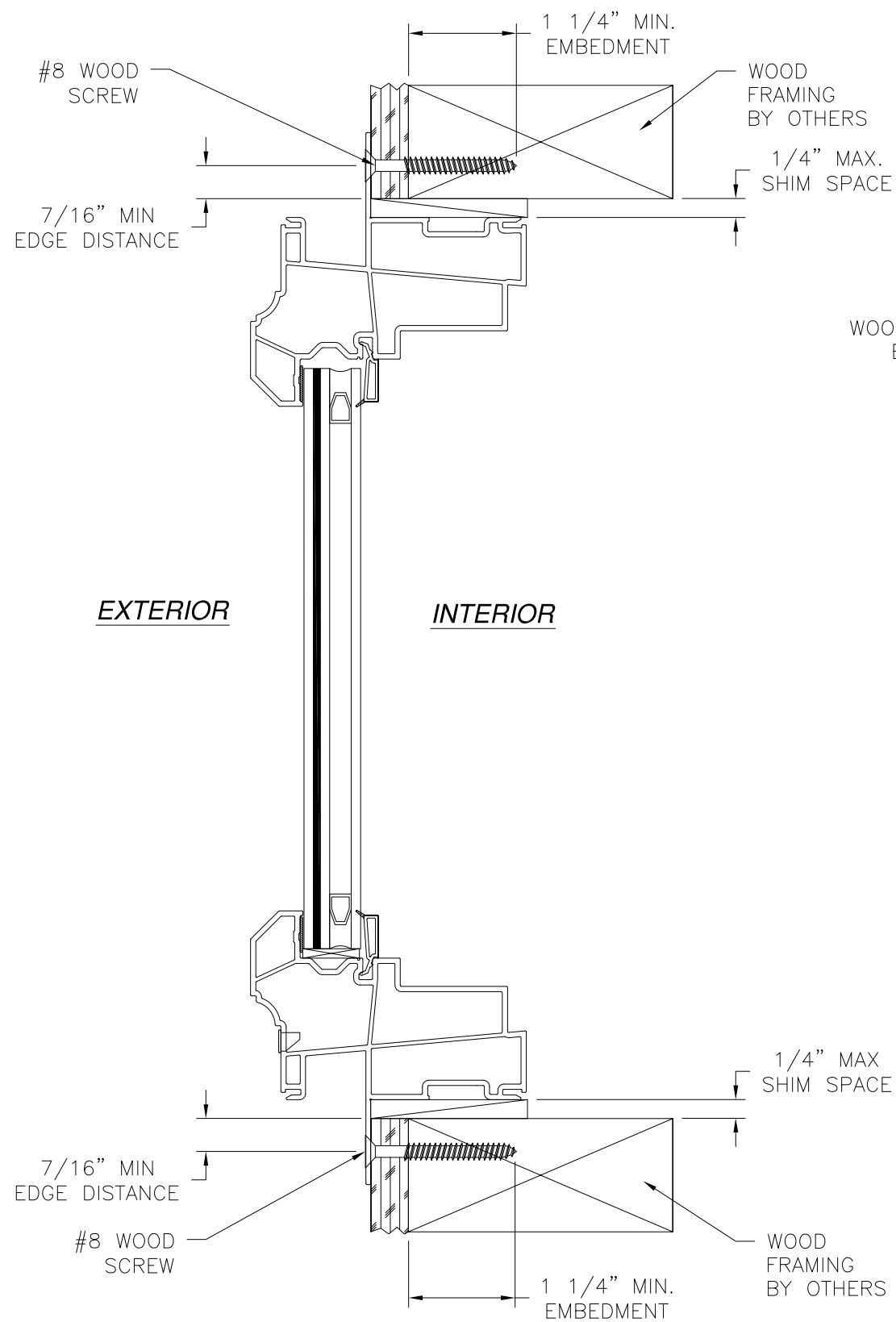
		EASTERN ARCHITECTURAL SYSTEMS A DIVISION OF EASTERN METAL SUPPLY 16341 DOMESTIC AVE FORT MYERS, FL 33912 800-432-2204	
SERIES 2456 VINYL IMPACT FIXED WINDOW 64" X 84" ELEVATION AND GENERAL NOTES			
DRAWN: A.M.	DWG NO. 08-00563	REV D	
SCALE NTS	DATE 07/29/08	SHEET 1 OF 3	
L. ROBERTO LOMAS P.E. 208 7th AVENUE, INDIALANTIC, FL 32903 434-688-0609 rllomas@rlomaspe.com			

TABLE OF CONTENTS	
SHEET NO.	DESCRIPTION
1	ELEVATION AND GENERAL NOTES
2	INSTALLATION DETAILS
3	GLAZING DETAILS

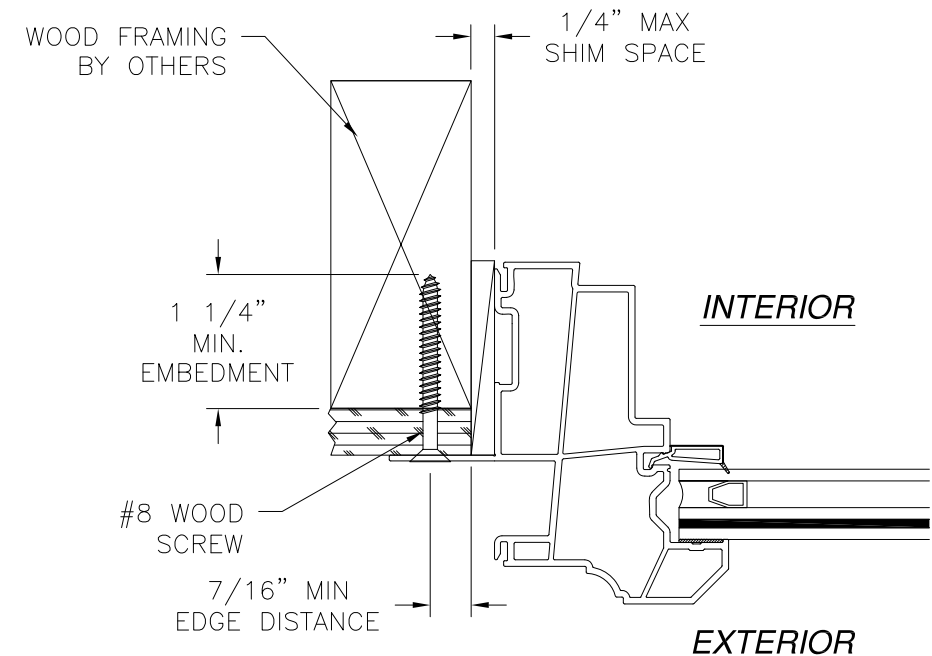


Luis R. Lomas P.E.  
FL No.: 62514

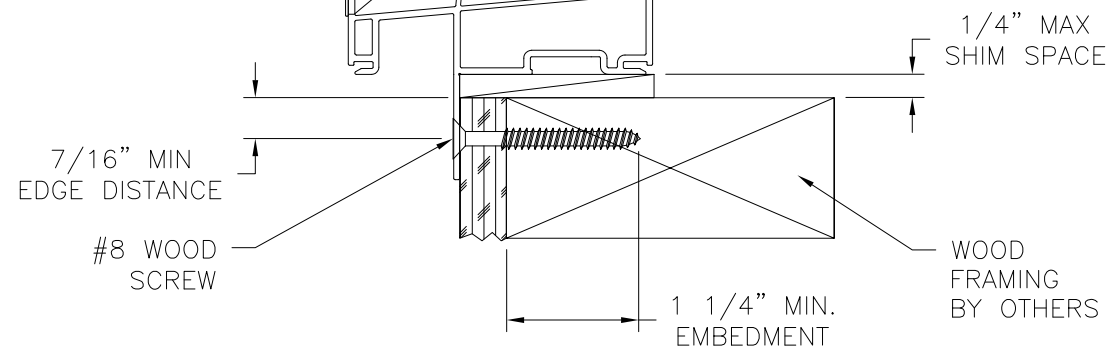
REVISIONS			
REV	DESCRIPTION	DATE	APPROVED
D	ADDED GLASSES	07/31/2023	R.L.



**VERTICAL CROSS SECTION**  
WOOD FRAMING OR 2X BUCK INSTALLATION



**JAMB INSTALLATION DETAIL**  
WOOD FRAMING OR 2X BUCK INSTALLATION



**VERTICAL CROSS SECTION**  
WOOD FRAMING OR 2X BUCK INSTALLATION

**NOTES:**  
 1. INTERIOR AND EXTERIOR FINISHES, BY OTHERS, NOT SHOWN FOR CLARITY.  
 2. PERIMETER AND JOINT SEALANT BY OTHERS TO BE DESIGNED IN ACCORDANCE WITH ASTM E2112

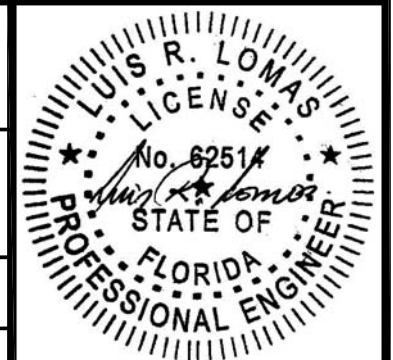
EASTERN ARCHITECTURAL SYSTEMS  
 A DIVISION OF  
 EASTERN METAL SUPPLY  
 16341 DOMESTIC AVE  
 FORT MYERS, FL 33912  
 800-432-2204

**SERIES 2456 VINYL IMPACT FIXED WINDOW**  
64" X 84"  
INSTALLATION DETAILS

DRAWN: A.M.	DWG NO. 08-00563	REV D
SCALE NTS	DATE 07/29/08	SHEET 2 OF 3

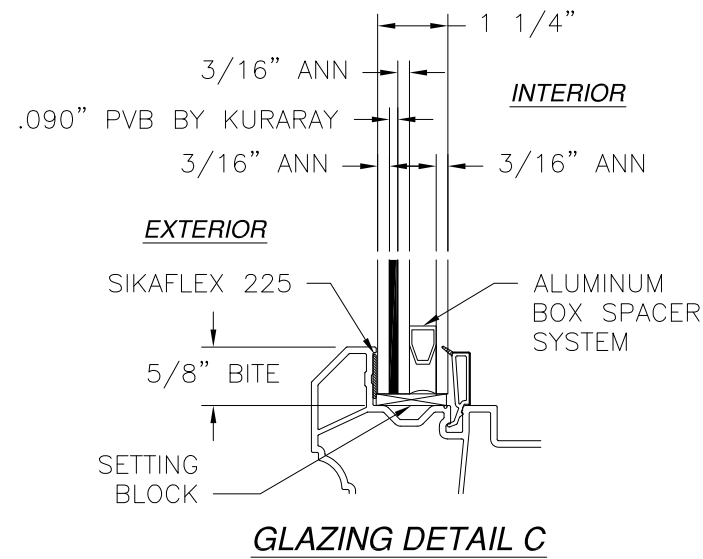
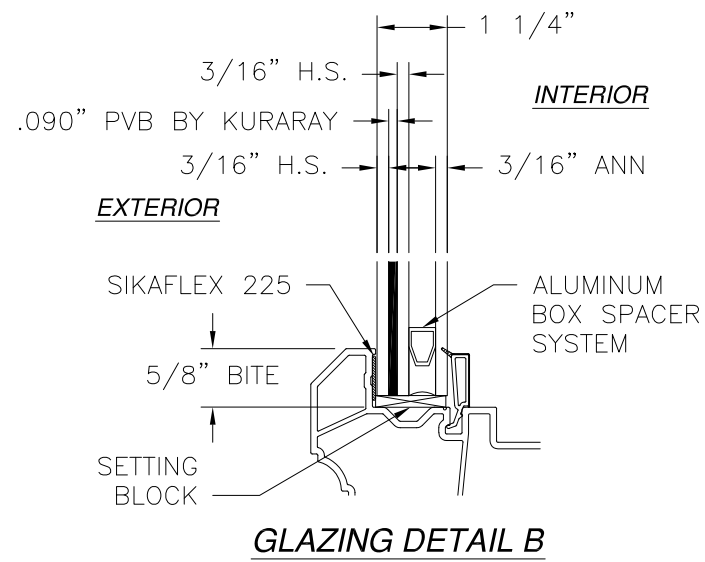
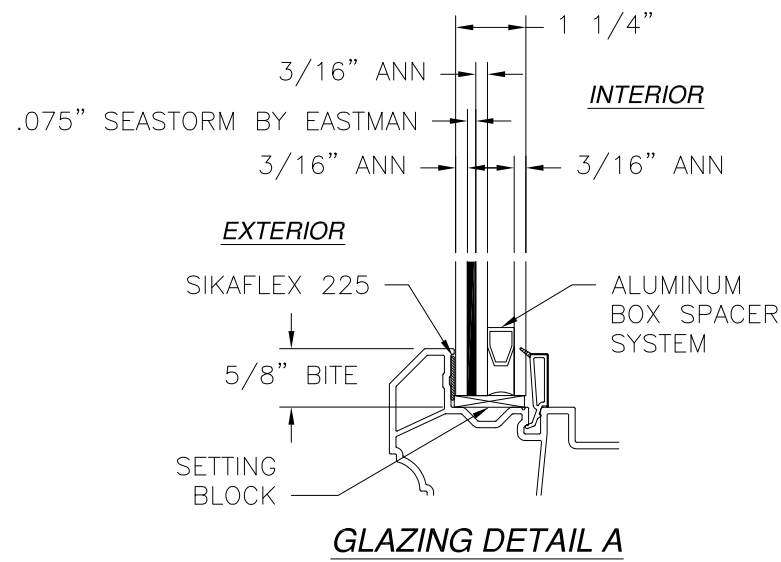
L. ROBERTO LOMAS P.E.  
 208 7th AVENUE, INDIALANTIC, FL 32903  
 434-688-0609 rllomas@rlomaspe.com

SIGNED: 11/03/2023



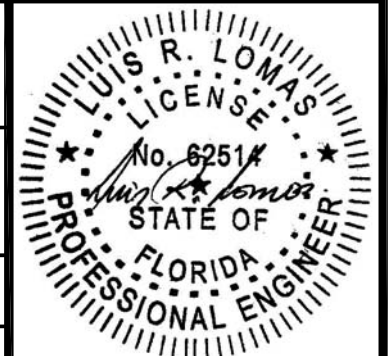
Luis R. Lomas P.E.  
FL No.: 62514

REVISIONS			
REV	DESCRIPTION	DATE	APPROVED
D	ADDED GLASSES	07/31/2023	R.L.



SIGNED: 11/03/2023

		EASTERN ARCHITECTURAL SYSTEMS A DIVISION OF EASTERN METAL SUPPLY 16341 DOMESTIC AVE FORT MYERS, FL 33912 800-432-2204	
SERIES 2456 VINYL IMPACT FIXED WINDOW 64" X 84" GLAZING DETAILS			
DRAWN: A.M.	DWG NO. 08-00563	REV D	
SCALE NTS	DATE 07/29/08	SHEET 3 OF 3	
L. ROBERTO LOMAS P.E. 208 7th AVENUE, INDIALANTIC, FL 32903 434-688-0609 rllomas@rlomaspe.com			



Luis R. Lomas P.E.  
FL No.: 62514