


REVISIONS			
REV	DESCRIPTION	DATE	APPROVED
A	MANUFACTURER'S NAME CHANGE	03/03/09	R.L.
B	REVISED INSTALLATION DETAILS	06/04/15	R.L.

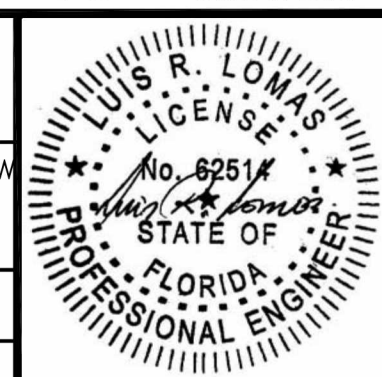
NOTES:

1. THE PRODUCT SHOWN HEREIN IS DESIGNED AND MANUFACTURED TO COMPLY WITH REQUIREMENTS OF THE FLORIDA BUILDING CODE.
2. WOOD FRAMING AND MASONRY OPENING TO BE DESIGNED AND ANCHORED TO PROPERLY TRANSFER ALL LOADS TO STRUCTURE. FRAMING AND MASONRY OPENING IS THE RESPONSIBILITY OF THE ARCHITECT OR ENGINEER OF RECORD.
3. BUCKS SHALL EXTEND BEYOND WINDOW INTERIOR FACE SO THAT FULL FRAME SUPPORT IS PROVIDED.
4. SHIM AS NEEDED WITH LOAD BEARING SHIMS. SHIM WHERE SPACE OF 1/16" OR GREATER OCCURS. MAXIMUM ALLOWABLE SHIM STACK TO BE 1/4".
5. SHIMS SHALL BE LOCATED, APPLIED AND MADE FROM MATERIALS AND THICKNESS CAPABLE OF SUSTAINING APPLICABLE LOADS.
6. WIND LOAD DURATION FACTOR Cd=1.6 WAS USED FOR WOOD ANCHOR CALCULATIONS.
7. FRAME MATERIAL: EXTRUDED RIGID PVC.
8. UNITS MUST BE GLAZED PER ASTM E1300-04, SEE SHEET 2 FOR GLASS DETAILS
9. APPROVED IMPACT PROTECTIVE SYSTEM IS NOT REQUIRED FOR THIS PRODUCT IN WIND BORNE DEBRIS REGIONS.
10. FOR ANCHORING INTO WOOD FRAMING OR 2X BUCK USE #8 WOOD SCREWS WITH SUFFICIENT LENGTH TO ACHIEVE A 1 1/4" MINIMUM EMBEDMENT INTO SUBSTRATE. LOCATE ANCHORS AS SHOWN IN ELEVATIONS AND INSTALLATION DETAILS.
11. ALL FASTENERS TO BE CORROSION RESISTANT.
12. INSTALLATION ANCHORS SHALL BE INSTALLED IN ACCORDANCE WITH ANCHOR MANUFACTURER'S INSTALLATION INSTRUCTIONS AND ANCHORS SHALL NOT BE USED IN SUBSTRATES WITH STRENGTHS LESS THAN THE MINIMUM STRENGTH SPECIFIED BELOW:
  - A. WOOD - MINIMUM SPECIFIC GRAVITY OF G=0.42

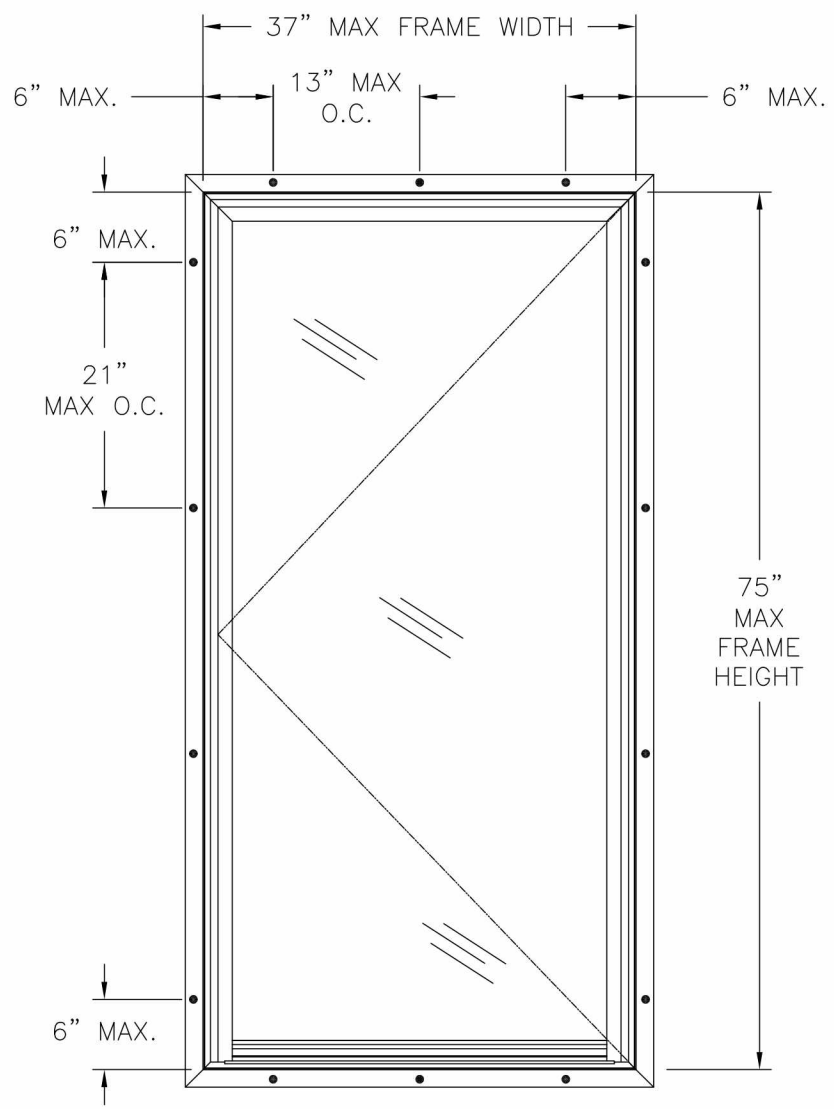
SIGNED: 06/04/2015

TABLE OF CONTENTS	
SHEET NO.	DESCRIPTION
1	NOTES
2	ELEVATION AND GLAZING DETAILS
3	INSTALLATION DETAILS

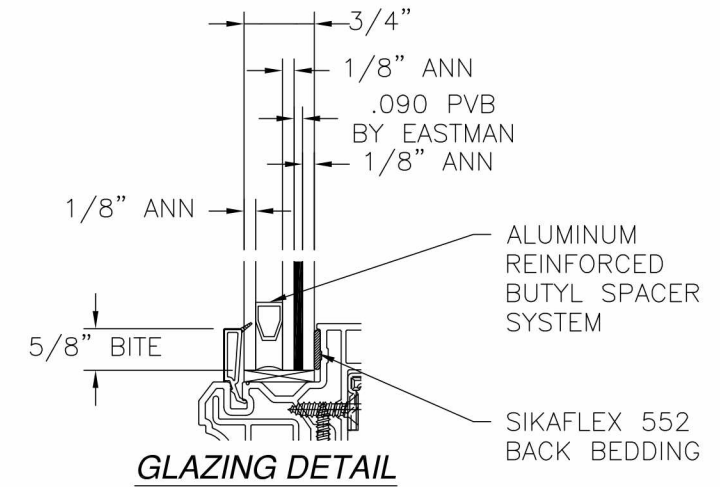
		EASTERN ARCHITECTURAL SYSTEMS A DIVISION OF EASTERN METAL SUPPLY 16341 DOMESTIC AVE FORT MYERS, FL 33912 800-432-2204	
SERIES 2651 VINYL IMPACT RATED CASEMENT WINDOW 37 X 75 ELEVATION AND GENERAL NOTES			
DRAWN: A.M		DWG NO. 08-00567	
SCALE NTS		DATE 7/29/08	
SHEET 1 OF 3			



REVISIONS			
REV	DESCRIPTION	DATE	APPROVED
A	MANUFACTURER'S NAME CHANGE	03/03/09	R.L.
B	REVISED INSTALLATION DETAILS	06/04/15	R.L.



**SERIES 2651 VINYL IMPACT RATED CASEMENT WINDOW**  
EXTERIOR VIEW



**GLAZING DETAIL**


DESIGN PRESSURE RATING	IMPACT RATING
±50.0PSF	LARGE AND SMALL MISSILE IMPACT

MISSILE LEVEL D, WIND ZONE 4

- NOTES:  
 1. MAXIMUM SASH SIZE: 35 1/2" X 73 1/2"  
 2. MAXIMUM D.L.O.: 32" X 70"

HARDWARE SCHEDULE	
A.	(1) TRUTH HINGED DUAL ARM OPERATOR AT 9" FROM CORNER OF SILL
B.	(1) MAXIM MULTI-POINT LOCK BAR AT 9" FROM CORNER OF LOCK JAMB
C.	(4) KEEPER LOCKING POINTS AT BOTTOM RAIL
D.	(1) REINFORCEMENT (#10500006-A) AT EXTERIOR LEG OF SASH STILES AND RAILS
E.	(1) REINFORCEMENT (#10300091) AT INTERIOR LEG OF SASH STILES
F.	(1) EXTRUDED ALUMINUM REINFORCEMENT (A10202004-A) AT EACH JAMB

SIGNED: 06/04/2015

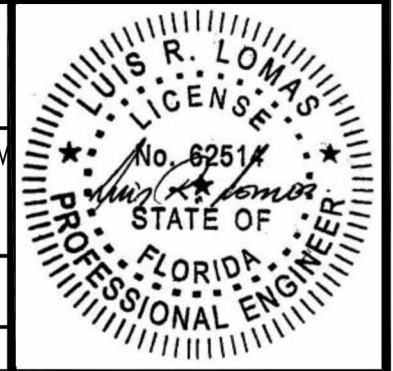


**Eastern**  
ARCHITECTURAL SYSTEMS  
ALUMINUM AND VINYL  
IMPACT WINDOWS AND DOORS

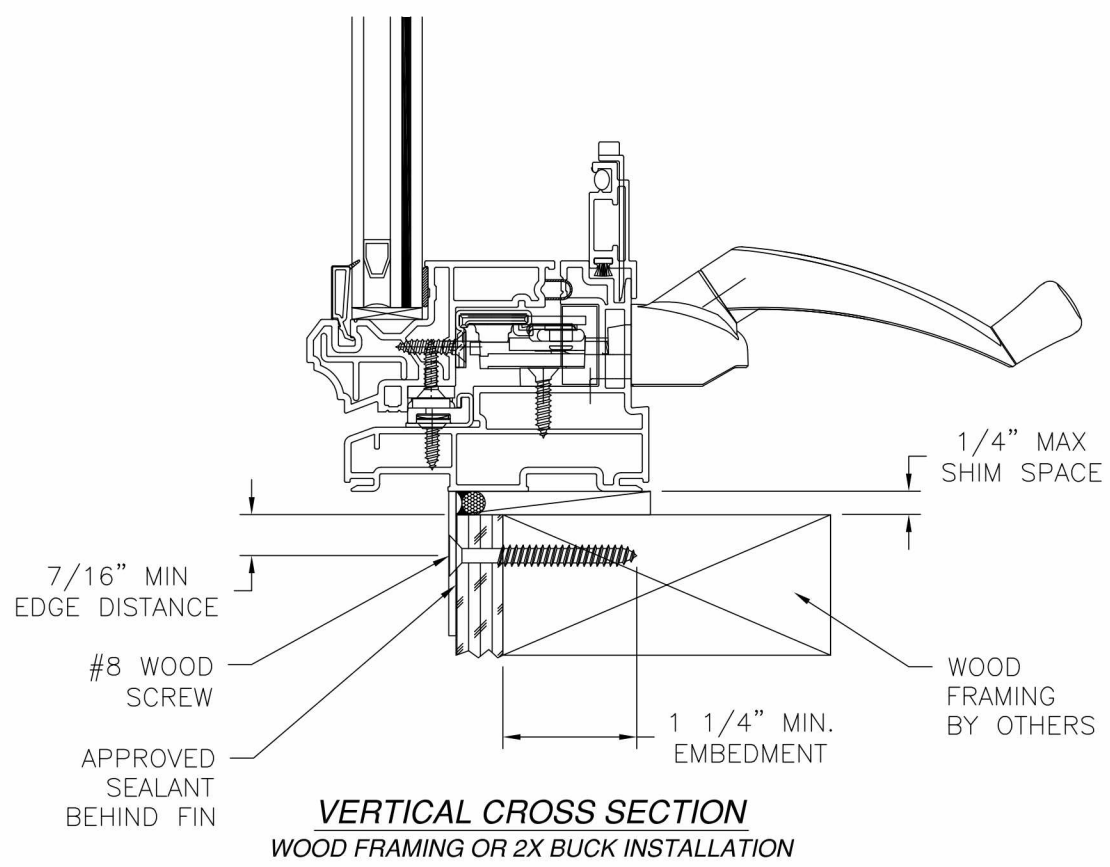
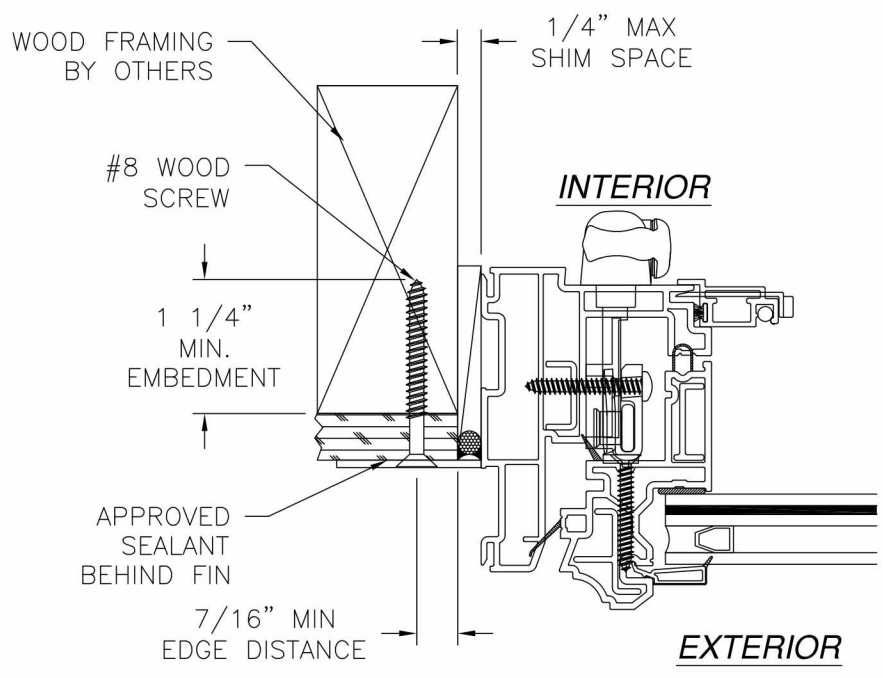
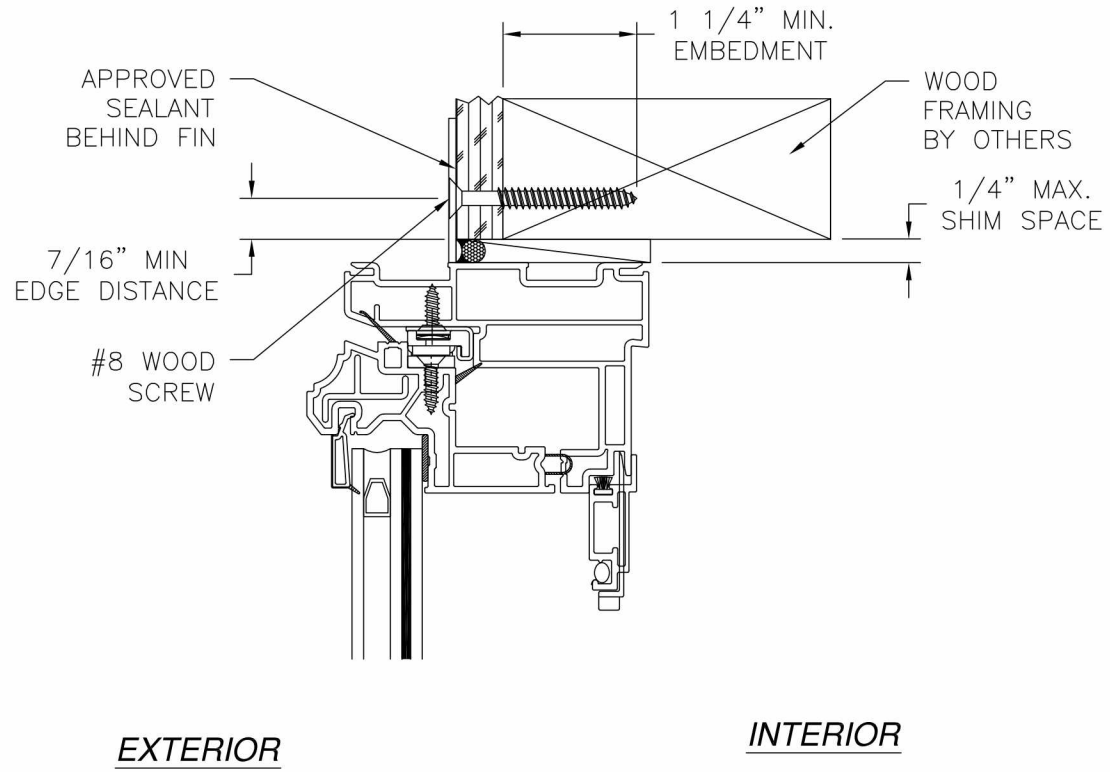
EASTERN ARCHITECTURAL SYSTEMS  
 A DIVISION OF  
 EASTERN METAL SUPPLY  
 16341 DOMESTIC AVE  
 FORT MYERS, FL 33912  
 800-432-2204

SERIES 2651 VINYL IMPACT RATED CASEMENT WINDOW  
37 X 75  
ELEVATION AND GENERAL NOTES

DRAWN: A.M	DWG NO. 08-00567	REV B
SCALE NTS	DATE 7/29/08	SHEET 2 OF 3




REVISIONS			
REV	DESCRIPTION	DATE	APPROVED
A	MANUFACTURER'S NAME CHANGE	03/03/09	R.L.
B	REVISED INSTALLATION DETAILS	06/04/15	R.L.



**JAMB INSTALLATION DETAIL**  
WOOD FRAMING OR 2X BUCK INSTALLATION

- NOTES:**
1. INTERIOR AND EXTERIOR FINISHES, BY OTHERS, NOT SHOWN FOR CLARITY.
  2. PERIMETER AND JOINT SEALANT BY OTHERS TO BE DESIGNED IN ACCORDANCE WITH ASTM E2112

SIGNED: 06/04/2015

	EASTERN ARCHITECTURAL SYSTEMS A DIVISION OF EASTERN METAL SUPPLY 16341 DOMESTIC AVE FORT MYERS, FL 33912 800-432-2204	
	SERIES 2651 VINYL IMPACT RATED CASEMENT WINDOW 37 x 75 INSTALLATION DETAILS	
DRAWN: A.M	DWG NO. 08-00567	REV B
SCALE NTS	DATE 7/29/08	SHEET 3 OF 3

