

REVISIONS			
REV	DESCRIPTION	DATE	APPROVED
A	REVISED PER NEW TESTING	02/23/15	R.L.
B	ADDED FIN INSTALLATION	08/21/19	R.L.


NOTES:

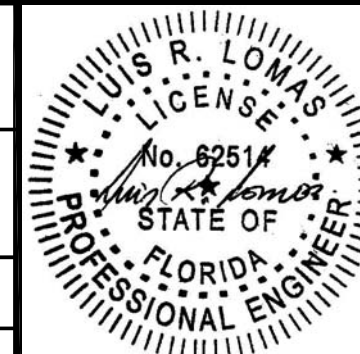
1. THE PRODUCT SHOWN HEREIN IS DESIGNED AND MANUFACTURED TO COMPLY WITH REQUIREMENTS OF THE FLORIDA BUILDING CODE.
2. WOOD FRAMING AND MASONRY OPENING TO BE DESIGNED AND ANCHORED TO PROPERLY TRANSFER ALL LOADS TO STRUCTURE. FRAMING AND MASONRY OPENING IS THE RESPONSIBILITY OF THE ARCHITECT OR ENGINEER OF RECORD.
3. 1X BUCK OVER MASONRY/CONCRETE IS OPTIONAL.
4. WHERE SHIM OR BUCK THICKNESS IS LESS THAN 1-1/2" WINDOW UNITS MUST BE ANCHORED THROUGH THE FRAME IN ACCORDANCE WITH MANUFACTURER'S PUBLISHED INSTALLATION INSTRUCTIONS. ANCHORS SHALL BE SECURELY FASTENED DIRECTLY INTO MASONRY, CONCRETE OR OTHER STRUCTURAL SUBSTRATE MATERIAL.
5. WHERE WOOD BUCK THICKNESS IS 1-1/2" OR GREATER, BUCK SHALL BE SECURELY FASTENED TO MASONRY, CONCRETE OR OTHER STRUCTURAL SUBSTRATE. WINDOW UNITS MAY BE ANCHORED THROUGH FRAME TO SECURED WOOD BUCK IN ACCORDANCE WITH MANUFACTURER'S PUBLISHED INSTALLATION INSTRUCTIONS.
6. WHERE 1X BUCK IS NOT USED DISSIMILAR MATERIALS MUST BE SEPARATED WITH APPROVED COATING OR MEMBRANE. SELECTION OF COATING OR MEMBRANE IS THE RESPONSIBILITY OF THE ARCHITECT OR ENGINEER OF RECORD.
7. BUCKS SHALL EXTEND BEYOND WINDOW INTERIOR FACE SO THAT FULL FRAME SUPPORT IS PROVIDED.
8. SHIM AS REQUIRED AT EACH ANCHOR LOCATION WITH LOAD BEARING SHIM. SHIM WHERE SPACE OF 1/16" OR GREATER OCCURS. MAXIMUM ALLOWABLE SHIM STACK TO BE 1/4".
9. SHIMS SHALL BE LOCATED, APPLIED AND MADE FROM MATERIALS AND THICKNESS CAPABLE OF SUSTAINING APPLICABLE LOADS.
10. WIND LOAD DURATION FACTOR Cd=1.6 WAS USED FOR WOOD ANCHOR CALCULATIONS.
11. FRAME MATERIAL: EXTRUDED RIGID PVC.
12. UNITS MUST BE GLAZED PER ASTM E1300-04/09.
13. APPROVED IMPACT PROTECTIVE SYSTEM IS REQUIRED FOR THIS PRODUCT IN WIND BORNE DEBRIS REGIONS.
14. FOR ANCHORING THROUGH FIN INTO WOOD FRAMING OR 2X BUCK USE #8 WOOD SCREWS WITH SUFFICIENT LENGTH TO ACHIEVE A 1 1/4" MINIMUM EMBEDMENT INTO SUBSTRATE. LOCATE ANCHORS AS SHOWN IN ELEVATIONS AND INSTALLATION DETAILS.

15. FOR ANCHORING INTO WOOD FRAMING OR 2X BUCK USE #10 WOOD SCREWS WITH SUFFICIENT LENGTH TO ACHIEVE A 1 3/8" MINIMUM EMBEDMENT INTO SUBSTRATE. LOCATE ANCHORS AS SHOWN IN ELEVATIONS AND INSTALLATION DETAILS.
16. FOR ANCHORING INTO MASONRY/CONCRETE USE 3/16" TAPCONS WITH SUFFICIENT LENGTH TO ACHIEVE A 1 1/4" MINIMUM EMBEDMENT INTO SUBSTRATE WITH 2" MINIMUM EDGE DISTANCE. LOCATE ANCHORS AS SHOWN IN ELEVATIONS AND INSTALLATION DETAILS.
17. FOR ANCHORING INTO METAL STRUCTURE USE #10 SMS OR SELF DRILLING SCREWS WITH SUFFICIENT LENGTH TO ACHIEVE 3 THREADS MINIMUM BEYOND STRUCTURE INTERIOR WALL. LOCATE ANCHORS AS SHOWN IN ELEVATIONS AND INSTALLATION DETAILS.
18. ALL FASTENERS TO BE CORROSION RESISTANT.
19. INSTALLATION ANCHORS SHALL BE INSTALLED IN ACCORDANCE WITH ANCHOR MANUFACTURER'S INSTALLATION INSTRUCTIONS AND ANCHORS SHALL NOT BE USED IN SUBSTRATES WITH STRENGTHS LESS THAN THE MINIMUM STRENGTH SPECIFIED BELOW:
 - A. WOOD - MINIMUM SPECIFIC GRAVITY OF G=0.42
 - B. CONCRETE - MINIMUM COMPRESSIVE STRENGTH OF 3,192 PSI.
 - C. MASONRY - STRENGTH CONFORMANCE TO ASTM C-90, GRADE N, TYPE 1 (OR GREATER).
 - D. METAL STRUCTURE: STEEL 18GA, 33KSI OR ALUMINUM 6063-T5 .048" THICK MINIMUM
20. APPROVED CONFIGURATIONS: XO, OX.
21. UNITS MAY BE INSTALLED WITH OR WITHOUT FLANGE.

SIGNED: 05/04/2021

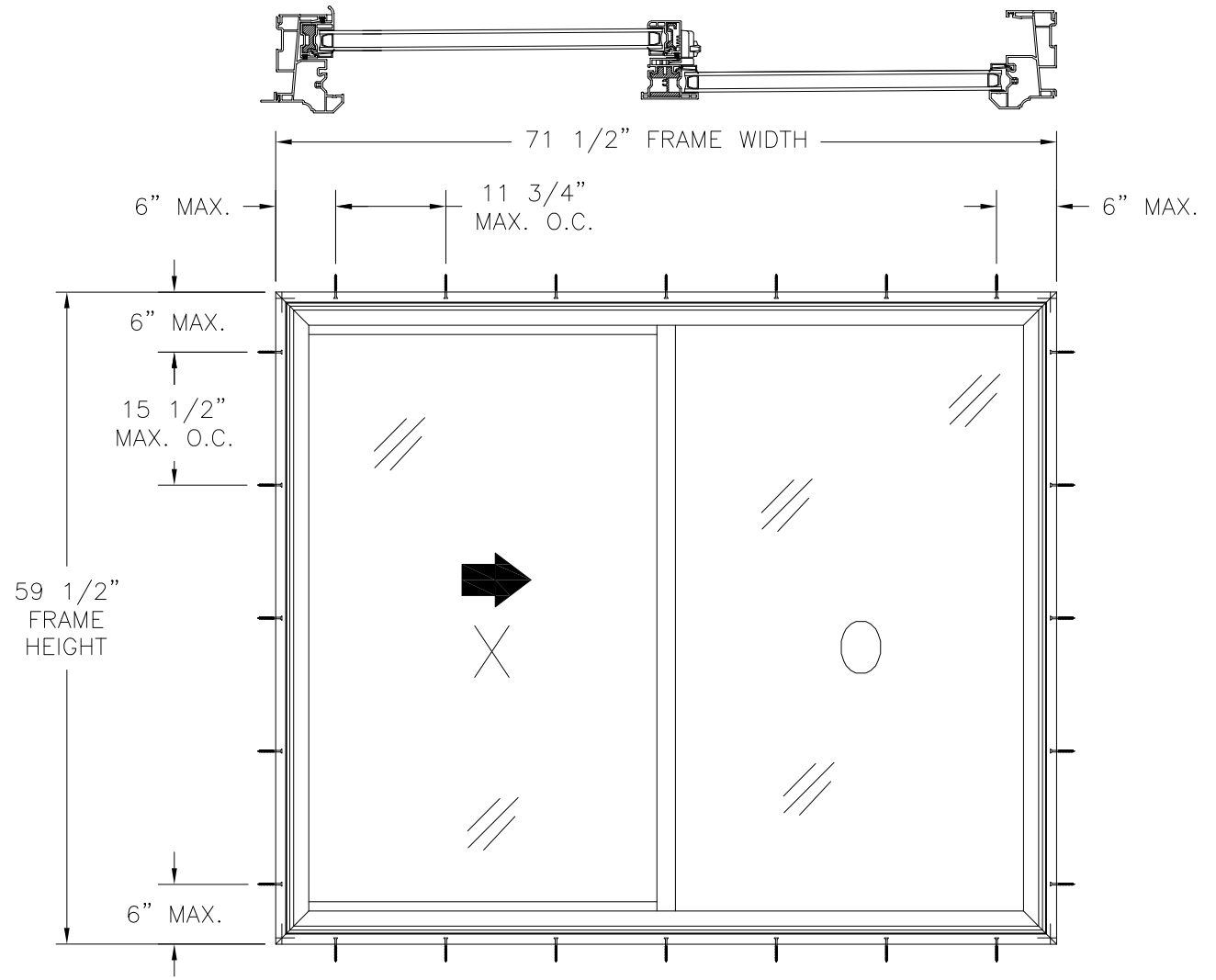
TABLE OF CONTENTS	
SHEET NO.	DESCRIPTION
1	NOTES
2	ELEVATION
3 - 6	INSTALLATION DETAILS
7	COMPONENTS

		EASTERN ARCHITECTURAL SYSTEMS A DIVISION OF EASTERN METAL SUPPLY 16341 DOMESTIC AVE FORT MYERS, FL 33912 800-432-2204	
SERIES 3241 HR PVC HORIZONTAL SLIDING WINDOW 71 1/2" X 59 1/2" NOTES			
DRAWN:	DWG NO.	REV	
TJH	08-01214	B	
SCALE NTS	DATE 01/29/10	SHEET 1 OF 7	
L. ROBERTO LOMAS P.E. 1432 WOODFORD RD LEWISVILLE, NC 27023 434-688-0609 rllomas@lrlomaspe.com			



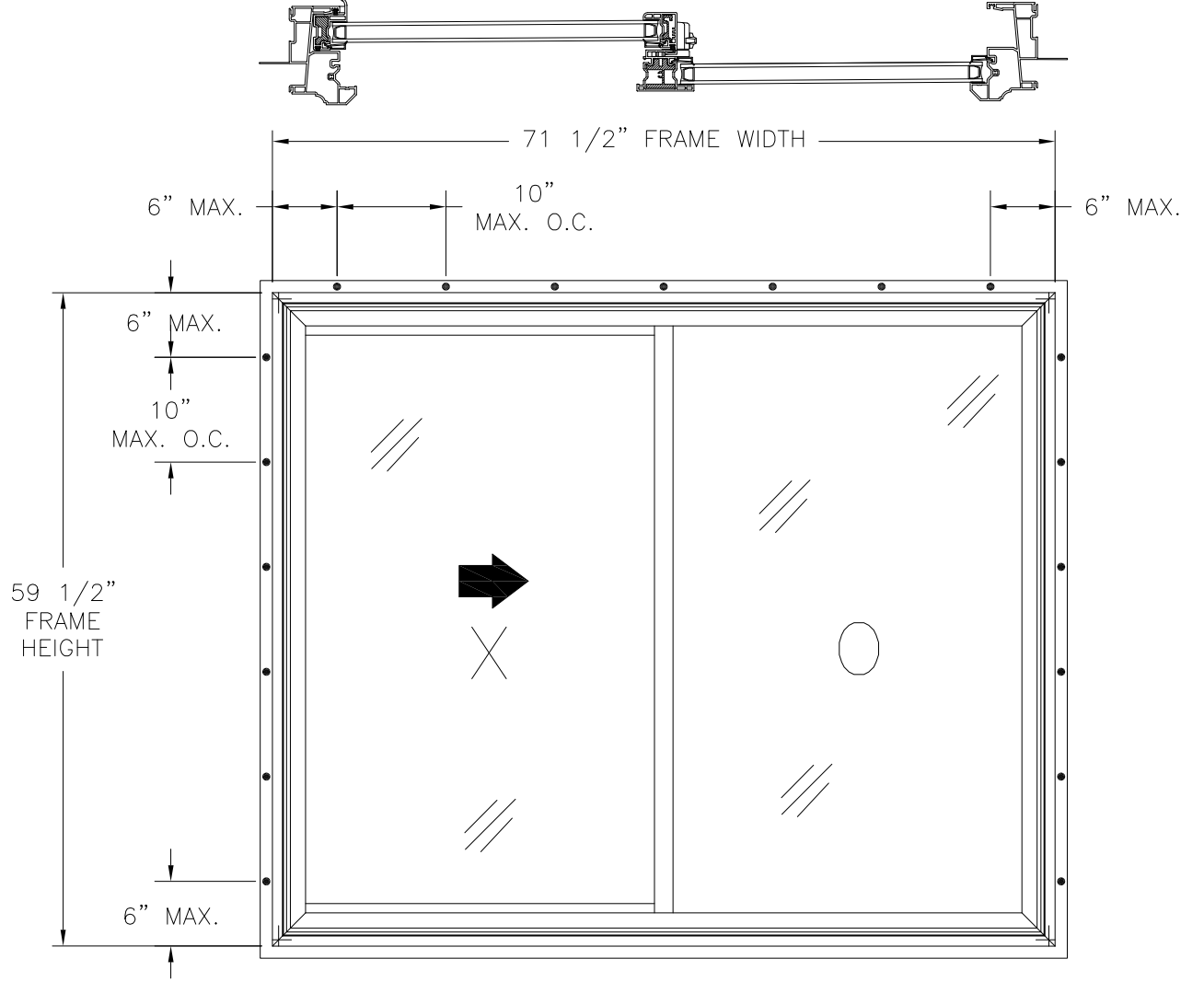
Luis R. Lomas P.E.
FL No.: 62514

REVISIONS			
REV	DESCRIPTION	DATE	APPROVED
A	REVISED PER NEW TESTING	02/23/15	R.L.
B	ADDED FIN INSTALLATION	08/21/19	R.L.



SERIES 3241 HORIZONTAL SLIDING WINDOW

EXTERIOR VIEW
FRAME INSTALLATION



SERIES 3241 HORIZONTAL SLIDING WINDOW

EXTERIOR VIEW
FIN INSTALLATION

NOTES:

1. SASH SIZE: 35" X 56"
2. D.L.O.: 32 1/2" X 54 1/2"
3. (8) 3/8" x 3/16" WEEP SLOT 3" FROM EACH CORNER AT BOTTOM RAIL AND GLAZING POCKET
4. (2) 1" X 3/16" WEEP SLOT AT EACH END OF SILL INTERMEDIATE LEG
5. (2) 3/8" X 1/8" WEEP SLOT 3 1/2" FORM EACH CORNER OF EXTERIOR SILL TRACK
6. (4) 1" X 1/8" WEEP SLOT 3" FROM EACH CORNER OF EXTERIOR SILL TRACK
7. (2) 1 1/4" X 1/4" WEEP SLOT W/FLAP 3" FROM EACH CORNER OF EXTERIOR SILL FACE.

DESIGN PRESSURE RATING	IMPACT RATING
±50.0PSF	NONE

HARDWARE SCHEDULE

A.	(2) METAL CAM LOCK AT 8" FROM EACH END OF LOCK STILE
B.	(2) METAL ROLLER AT EACH END OF BOTTOM RAIL
C.	ALUMINUM REINFORCEMENT (10300084) AT FIXED MEETING STILE
D.	ALUMINUM REINFORCEMENT (10300082) AT LOCK STILE, TOP AND BOTTOM RAIL
E.	ALUMINUM REINFORCEMENT (10300207) AT JAMB STILE

Eastern
ARCHITECTURAL SYSTEMS
ALUMINUM AND VINYL
IMPACT WINDOWS AND DOORS

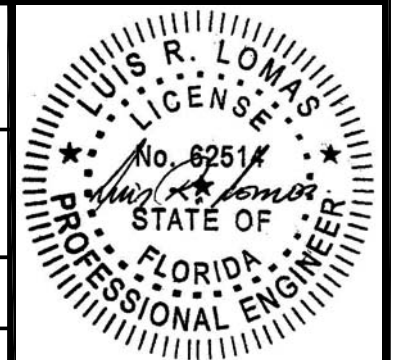
EASTERN ARCHITECTURAL SYSTEMS
A DIVISION OF
EASTERN METAL SUPPLY
16341 DOMESTIC AVE
FORT MYERS, FL 33912
800-432-2204

SERIES 3241 HR PVC HORIZONTAL SLIDING WINDOW
71 1/2" X 59 1/2"
ELEVATION

DRAWN: TJH	DWG NO. 08-01214	REV B
SCALE NTS	DATE 01/29/10	SHEET 2 OF 7

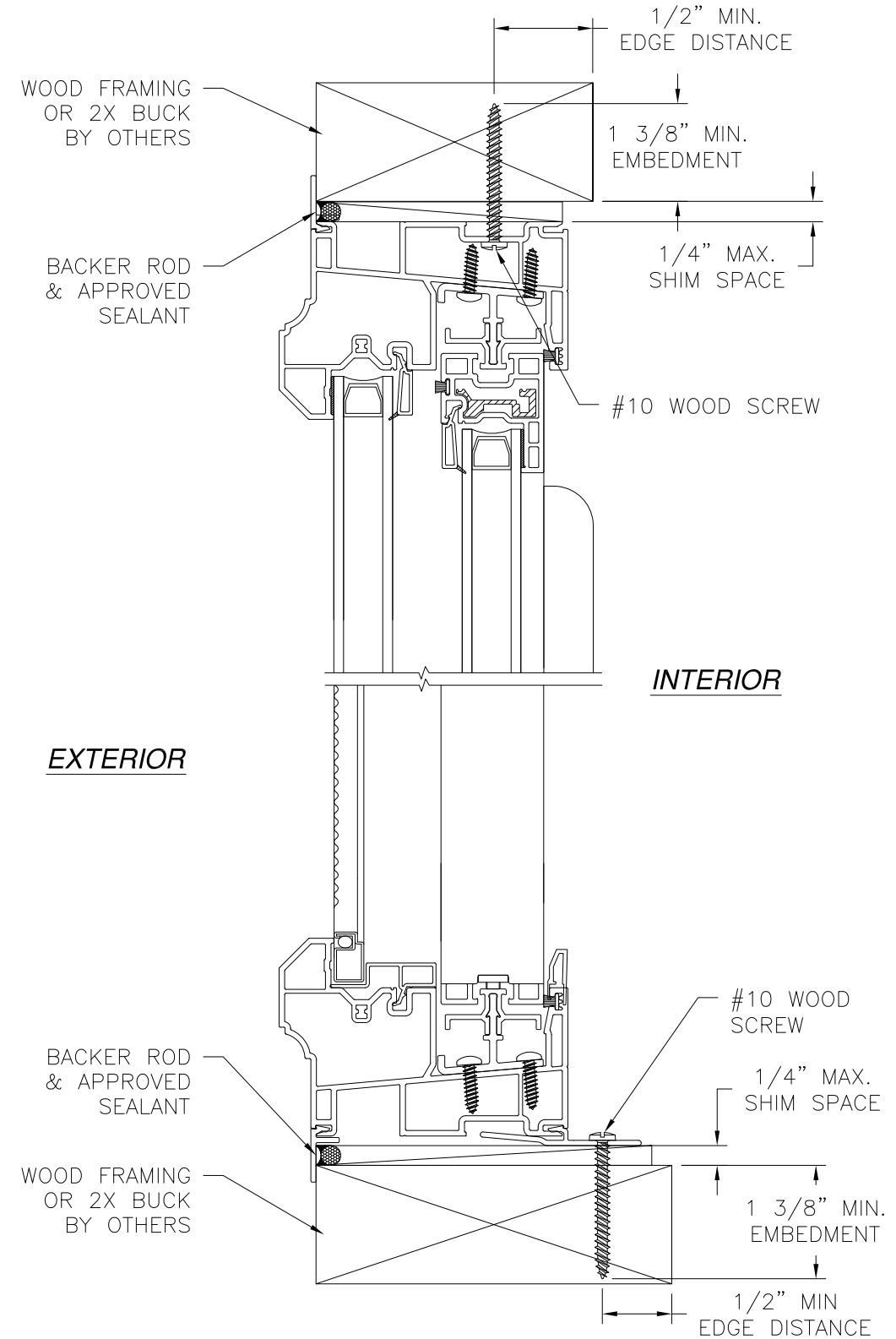
L. ROBERTO LOMAS P.E.
1432 WOODFORD RD LEWISVILLE, NC 27023
434-688-0609 rllomas@rlomaspe.com

SIGNED: 05/04/2021



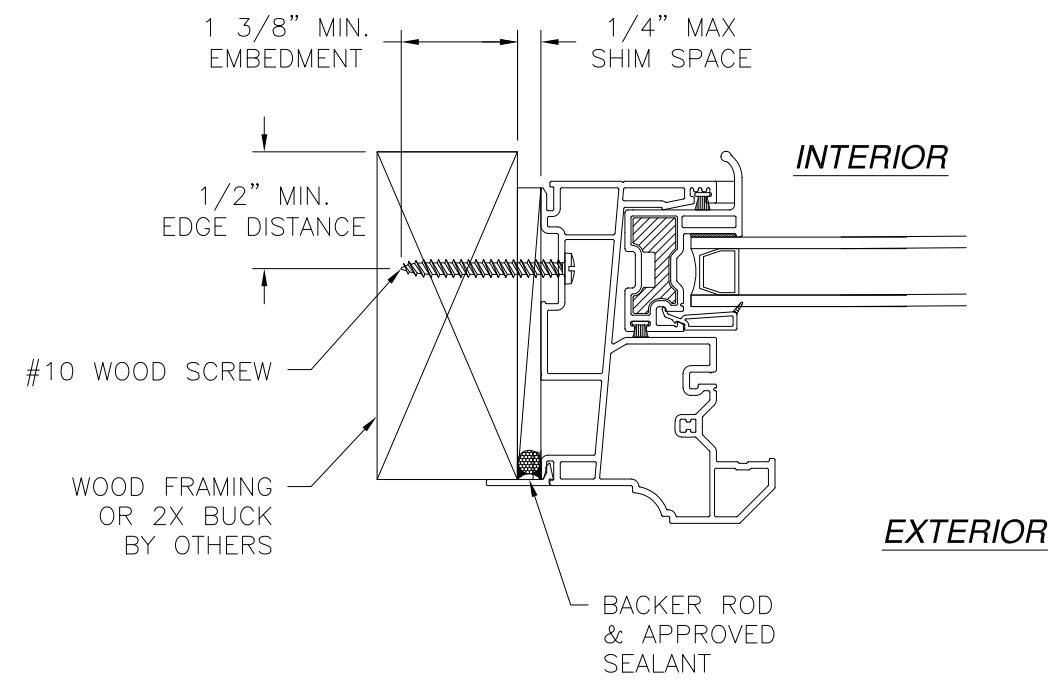
Luis R. Lomas P.E.
FL No.: 62514

REVISIONS			
REV	DESCRIPTION	DATE	APPROVED
A	REVISED PER NEW TESTING	02/23/15	R.L.
B	ADDED FIN INSTALLATION	08/21/19	R.L.




VERTICAL CROSS SECTION
WOOD FRAMING OR 2X BUCK INSTALLATION

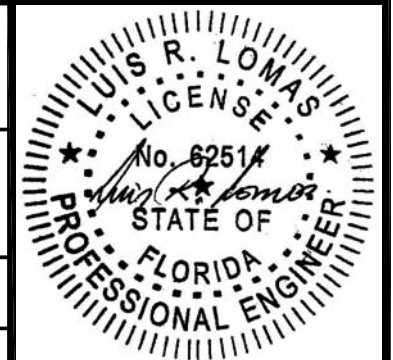
NOTES:
 1. INTERIOR AND EXTERIOR FINISHES, BY OTHERS, NOT SHOWN FOR CLARITY.
 2. PERIMETER AND JOINT SEALANT BY OTHERS TO BE DESIGNED IN ACCORDANCE WITH ASTM E2112



JAMB INSTALLATION DETAIL
WOOD FRAMING OR 2X BUCK INSTALLATION

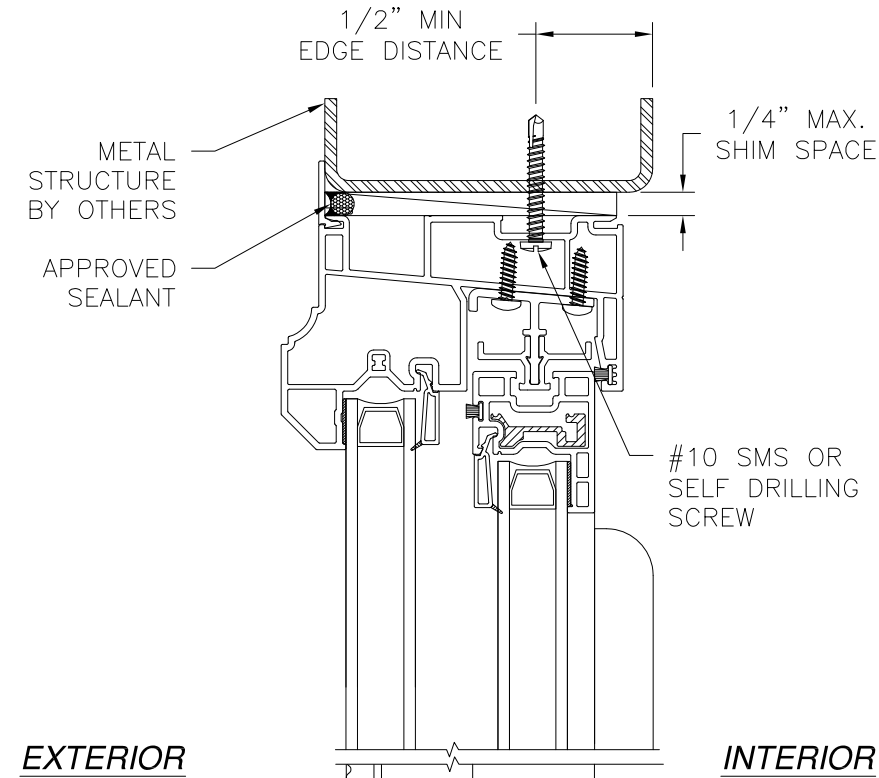
 Eastern ARCHITECTURAL SYSTEMS ALUMINUM AND VINYL IMPACT WINDOWS AND DOORS		EASTERN ARCHITECTURAL SYSTEMS A DIVISION OF EASTERN METAL SUPPLY 16341 DOMESTIC AVE FORT MYERS, FL 33912 800-432-2204	
SERIES 3241 HR PVC HORIZONTAL SLIDING WINDOW 71 1/2" X 59 1/2" INSTALLATION DETAILS			
DRAWN: TJH	DWG NO. 08-01214	REV B	
SCALE NTS	DATE 01/29/10	SHEET 3 OF 7	
L. ROBERTO LOMAS P.E. 1432 WOODFORD RD LEWISVILLE, NC 27023 434-688-0609 rllomas@rlomaspe.com			

SIGNED: 05/04/2021

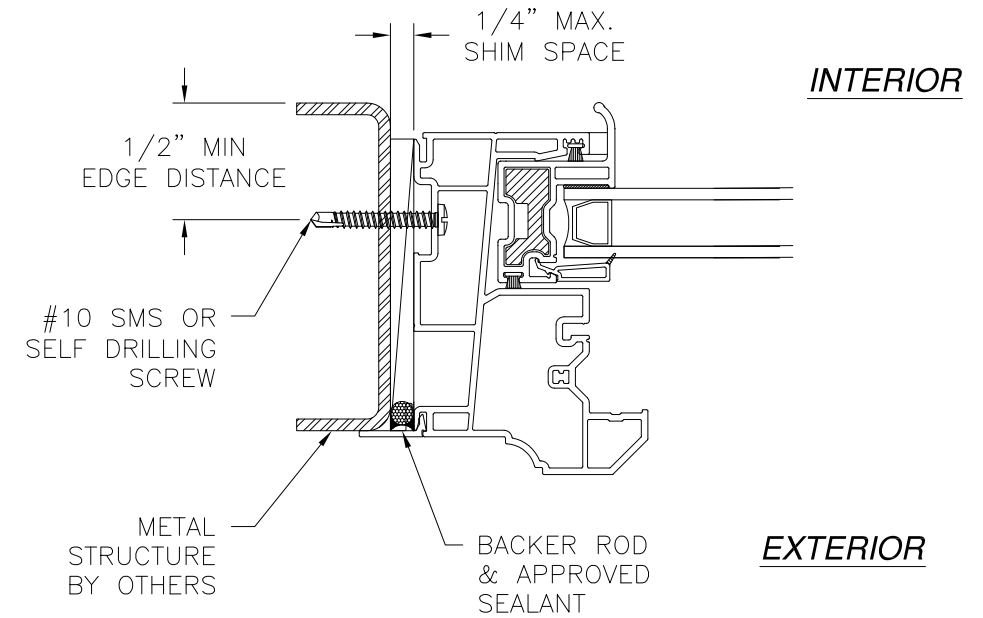


Luis R. Lomas P.E.
FL No.: 62514

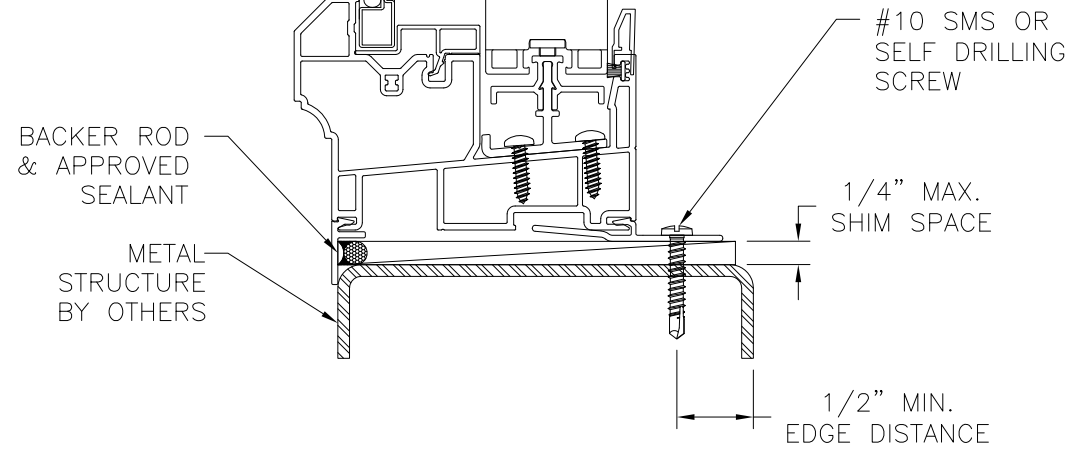
REVISIONS			
REV	DESCRIPTION	DATE	APPROVED
A	REVISED PER NEW TESTING	02/23/15	R.L.
B	ADDED FIN INSTALLATION	08/21/19	R.L.



VERTICAL CROSS SECTION
METAL STRUCTURE INSTALLATION




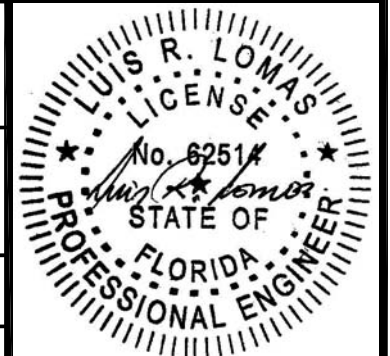
JAMB INSTALLATION DETAIL
METAL STRUCTURE INSTALLATION



NOTES:
 1. INTERIOR AND EXTERIOR FINISHES, BY OTHERS, NOT SHOWN FOR CLARITY.
 2. PERIMETER AND JOINT SEALANT BY OTHERS TO BE DESIGNED IN ACCORDANCE WITH ASTM E2112

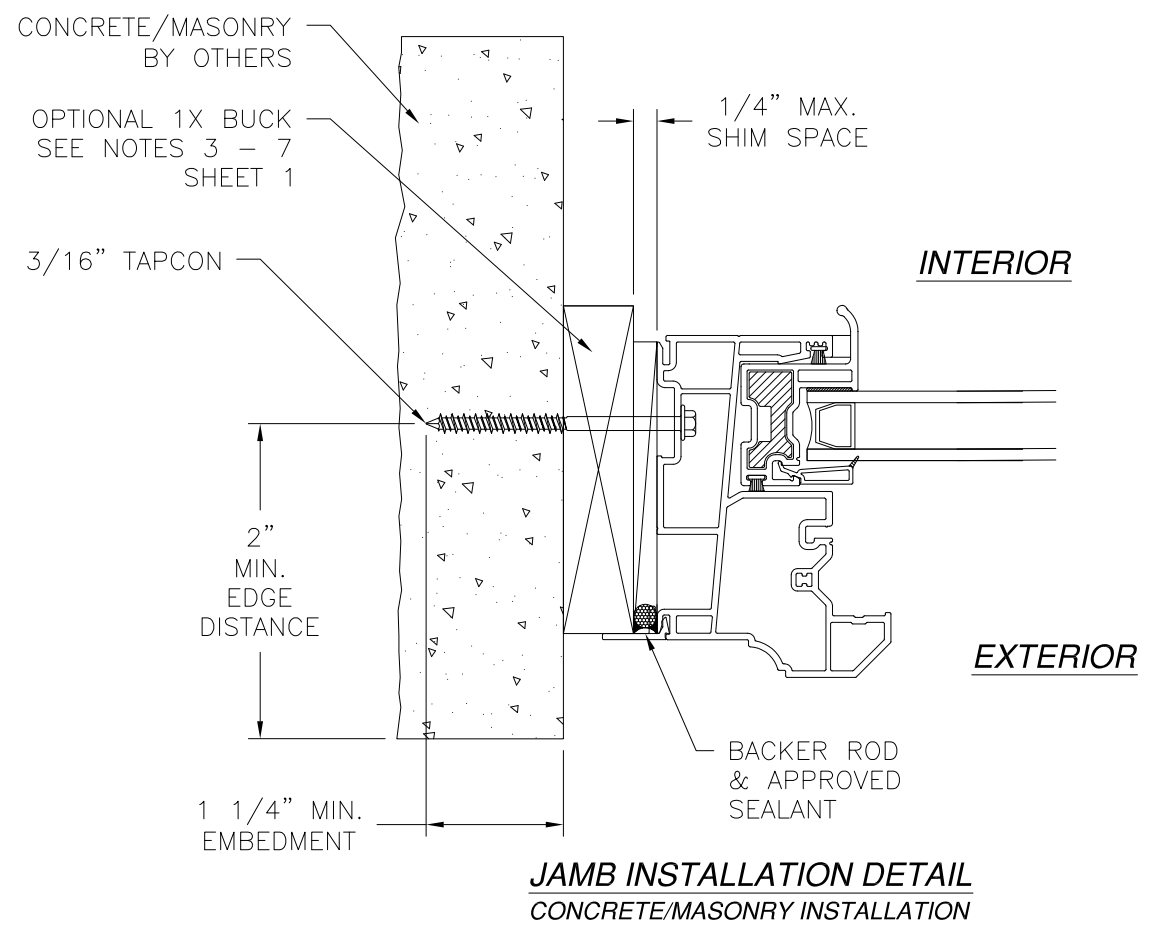
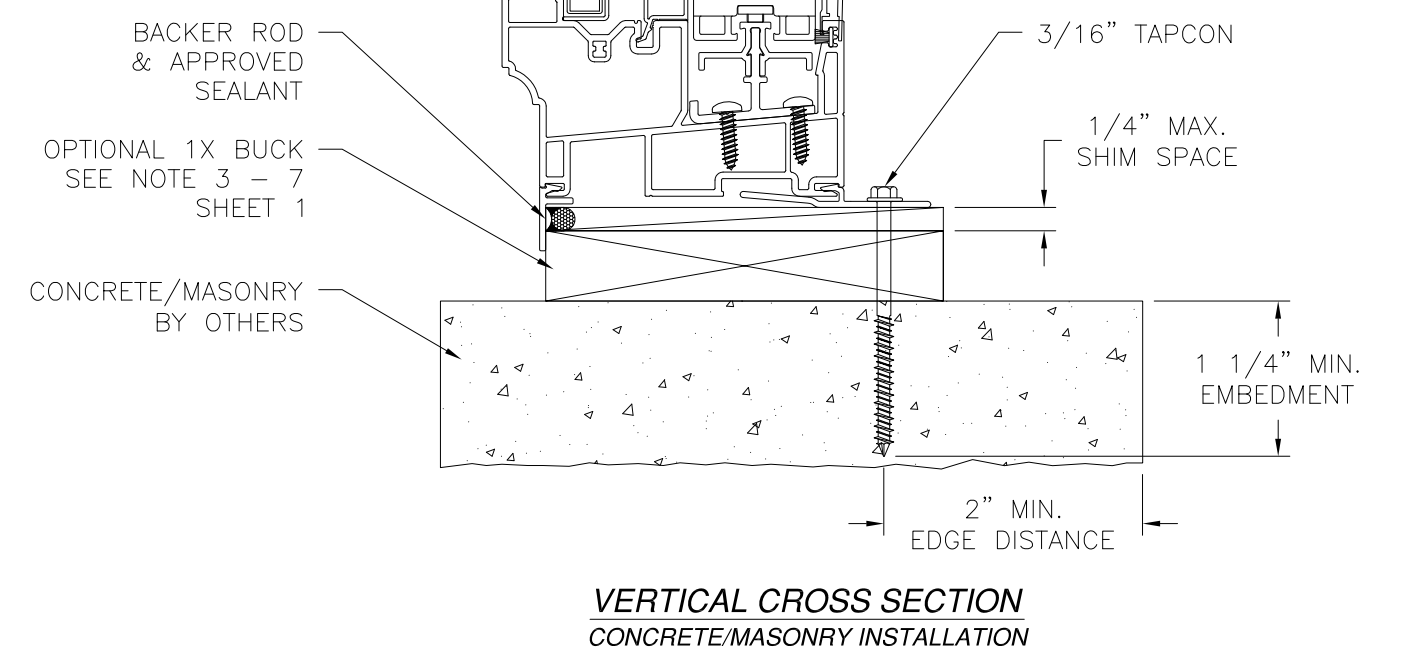
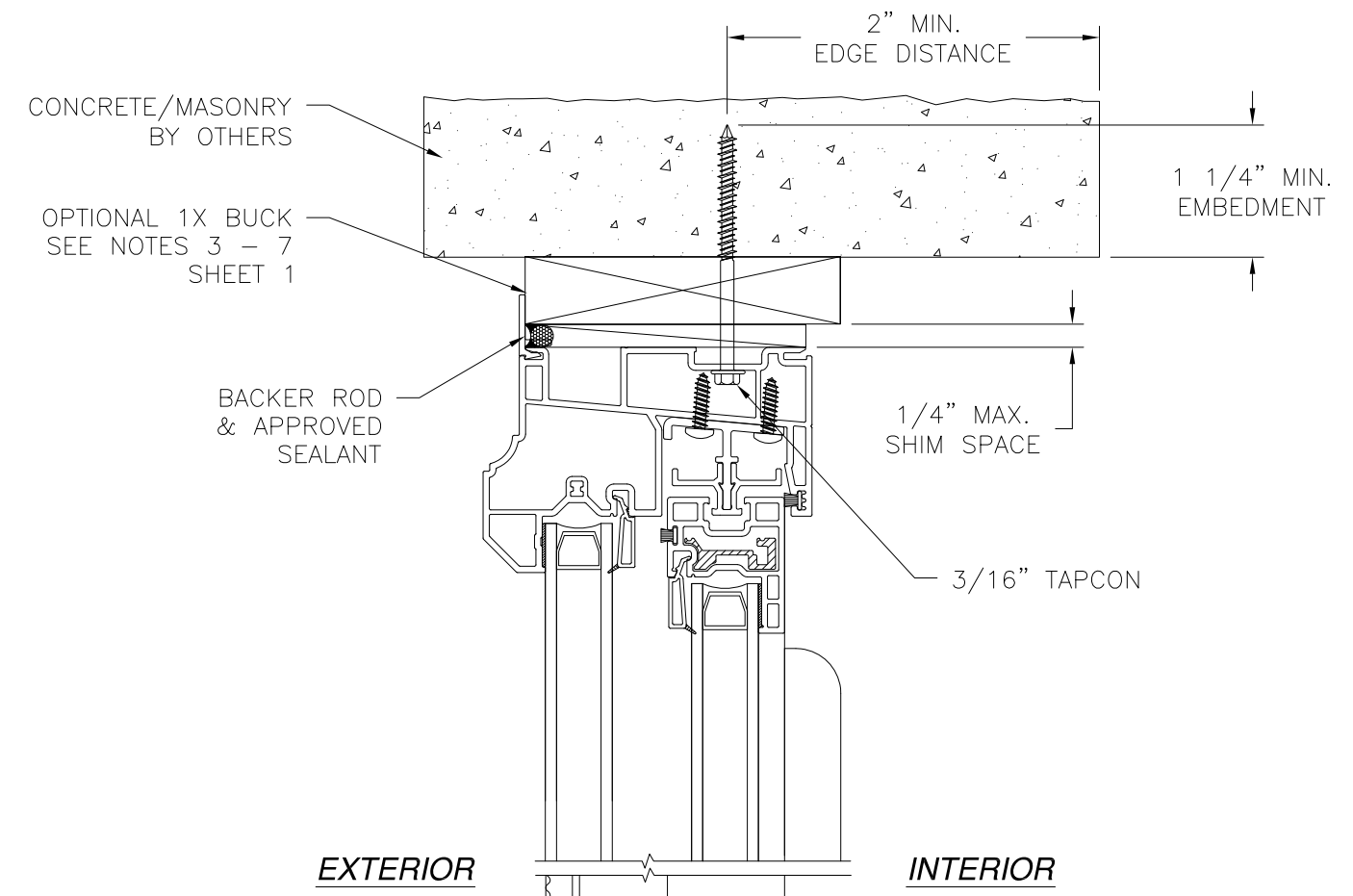
SIGNED: 05/04/2021

		EASTERN ARCHITECTURAL SYSTEMS A DIVISION OF EASTERN METAL SUPPLY 16341 DOMESTIC AVE FORT MYERS, FL 33912 800-432-2204	
SERIES 3241 HR PVC HORIZONTAL SLIDING WINDOW 71 1/2" X 59 1/2" INSTALLATION DETAILS			
DRAWN: TJH	DWG NO. 08-01214	REV B	
SCALE NTS	DATE 01/29/10	SHEET 4 OF 7	
L. ROBERTO LOMAS P.E. 1432 WOODFORD RD LEWISVILLE, NC 27023 434-688-0609 rllomas@rlomaspe.com			



Luis R. Lomas P.E.
FL No.: 62514

REVISIONS			
REV	DESCRIPTION	DATE	APPROVED
A	REVISED PER NEW TESTING	02/23/15	R.L.
B	ADDED FIN INSTALLATION	08/21/19	R.L.



NOTES:
 1. INTERIOR AND EXTERIOR FINISHES, BY OTHERS, NOT SHOWN FOR CLARITY.
 2. PERIMETER AND JOINT SEALANT BY OTHERS TO BE DESIGNED IN ACCORDANCE WITH ASTM E2112

SIGNED: 05/04/2021

EASTERN ARCHITECTURAL SYSTEMS
 A DIVISION OF
 EASTERN METAL SUPPLY
 16341 DOMESTIC AVE
 FORT MYERS, FL 33912
 800-432-2204

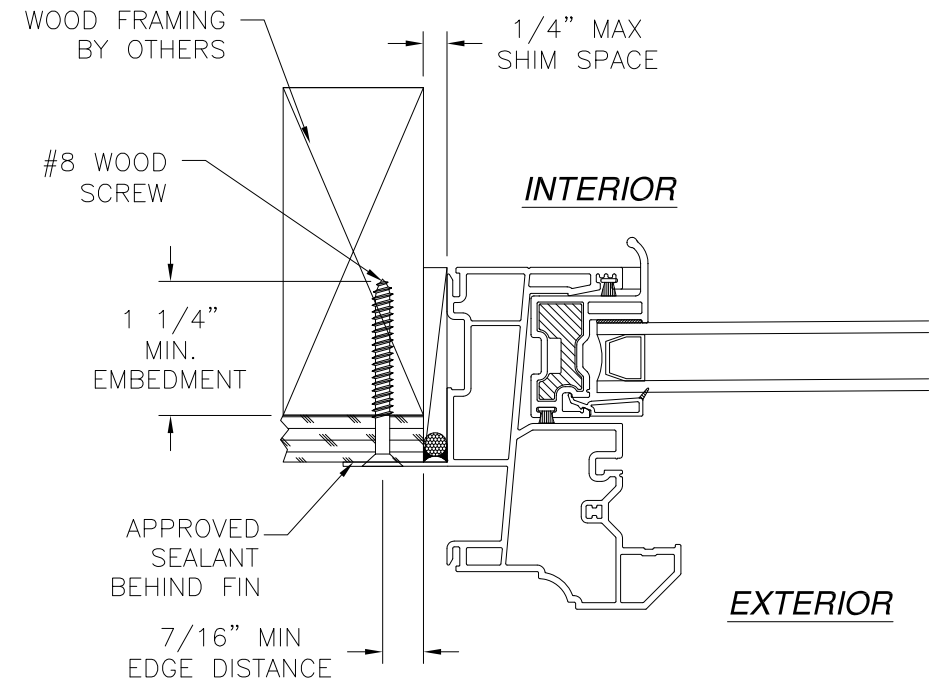
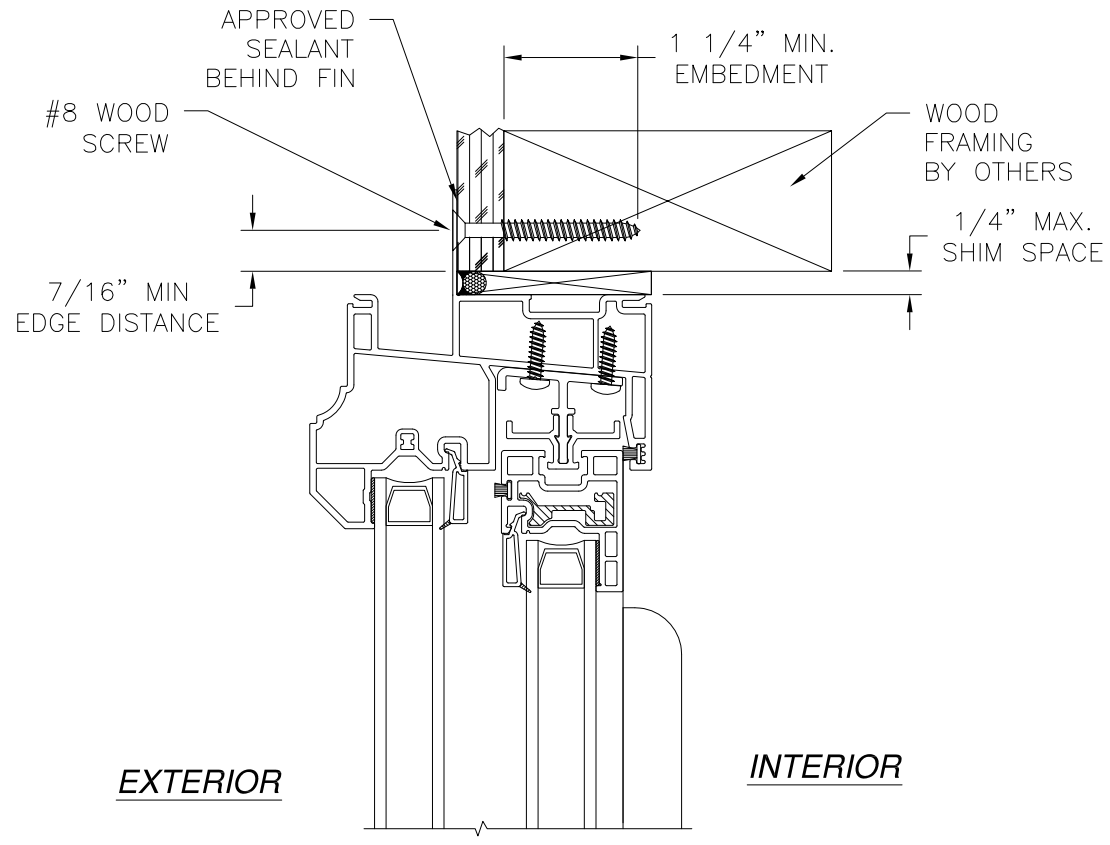
**SERIES 3241 HR PVC HORIZONTAL SLIDING WINDOW
 71 1/2" X 59 1/2"
 INSTALLATION DETAILS**

DRAWN: TJH	DWG NO. 08-01214	REV B
SCALE NTS	DATE 01/29/10	SHEET 5 OF 7

L. ROBERTO LOMAS P.E.
 1432 WOODFORD RD LEWISVILLE, NC 27023
 434-688-0609 rllomas@rlomaspe.com

Luis R. Lomas P.E.
 FL No.: 62514

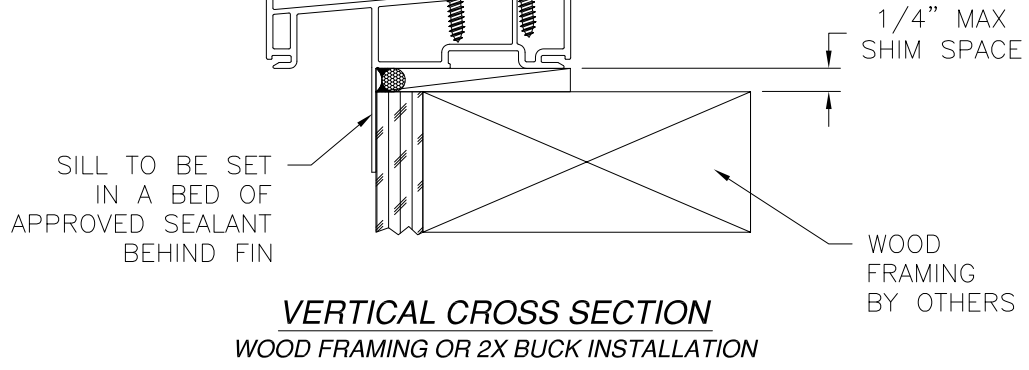
REVISIONS			
REV	DESCRIPTION	DATE	APPROVED
A	REVISED PER NEW TESTING	02/23/15	R.L.
B	ADDED FIN INSTALLATION	08/21/19	R.L.



JAMB INSTALLATION DETAIL
WOOD FRAMING OR 2X BUCK INSTALLATION

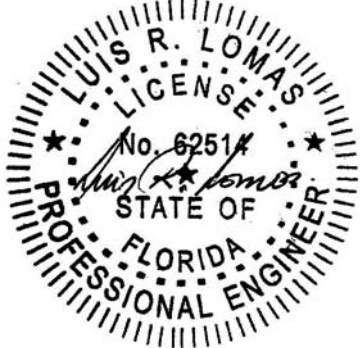
- NOTES:**
1. INTERIOR AND EXTERIOR FINISHES, BY OTHERS, NOT SHOWN FOR CLARITY.
 2. PERIMETER AND JOINT SEALANT BY OTHERS TO BE DESIGNED IN ACCORDANCE WITH ASTM E2112

SIGNED: 05/04/2021



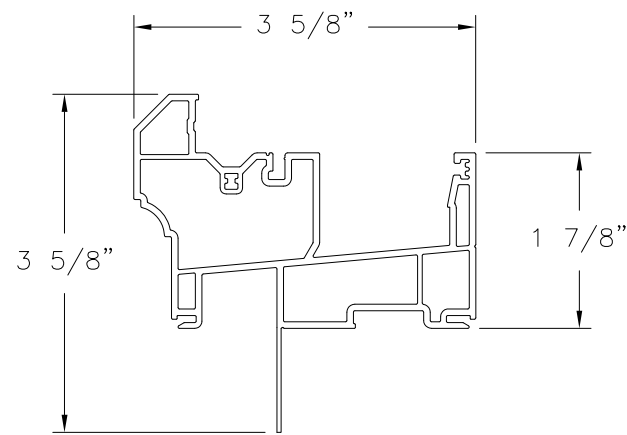
VERTICAL CROSS SECTION
WOOD FRAMING OR 2X BUCK INSTALLATION

		EASTERN ARCHITECTURAL SYSTEMS A DIVISION OF EASTERN METAL SUPPLY 16341 DOMESTIC AVE FORT MYERS, FL 33912 800-432-2204	
SERIES 3241 HR PVC HORIZONTAL SLIDING WINDOW 71 1/2" X 59 1/2" FIN INSTALLATION DETAILS			
DRAWN: TJH	DWG NO. 08-01214	REV B	
SCALE NTS	DATE 01/29/10	SHEET 6 OF 7	
L. ROBERTO LOMAS P.E. 1432 WOODFORD RD LEWISVILLE, NC 27023 434-688-0609 rllomas@rlomaspe.com			

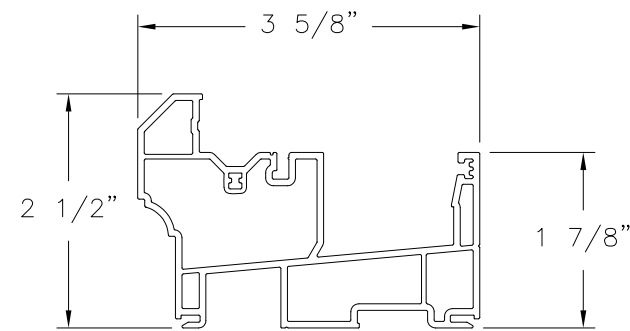


Luis R. Lomas P.E.
FL No.: 62514

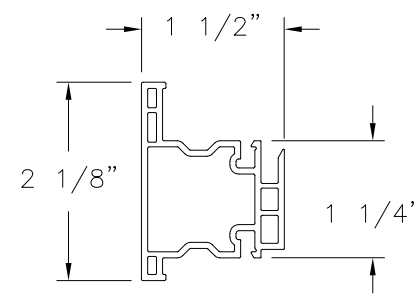
REVISIONS			
REV	DESCRIPTION	DATE	APPROVED
A	REVISED PER NEW TESTING	02/23/15	R.L.
B	ADDED FIN INSTALLATION	08/21/19	R.L.



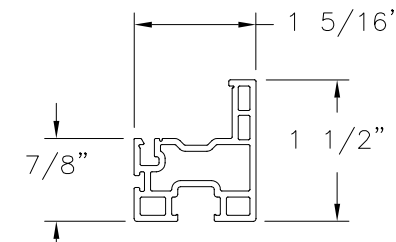
**MAIN FRAME
FIN INSTALLATION**
EXTRUDED PVC (10008684)



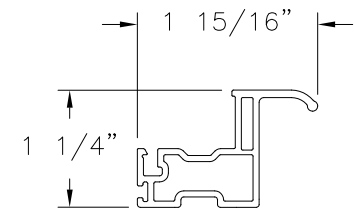
MAIN FRAME
EXTRUDED PVC (10008669)



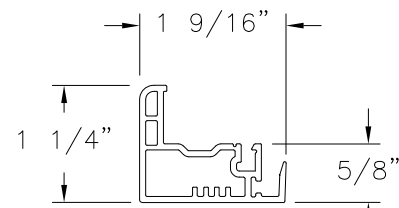
MEETING RAIL
EXTRUDED PVC (10008511)



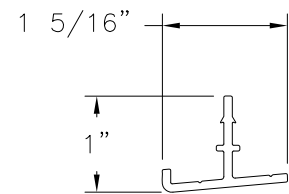
TOP/BOTTOM RAIL
EXTRUDED PVC (10008857)



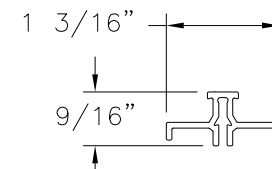
PULL STILE
EXTRUDED PVC (10008882)



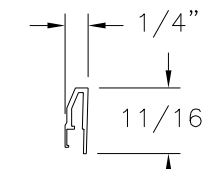
LOCK STILE
EXTRUDED PVC (10008845)



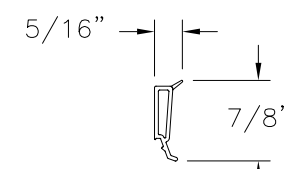
SLIDER TRACK
(10300189)



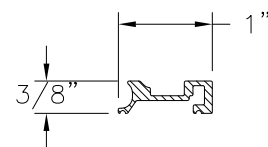
SLIDER TRACK INSERT
(10008469)



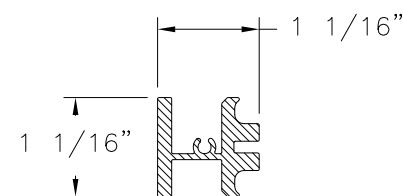
SILL EXTENDER
EXTRUDED PVC (20008052)



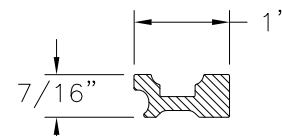
GLAZING BEAD
EXTRUDED PVC (10005470)



LOCK STILE REINFORCEMENT
EXTRUDED ALUMINUM 6005-T5(10300082)




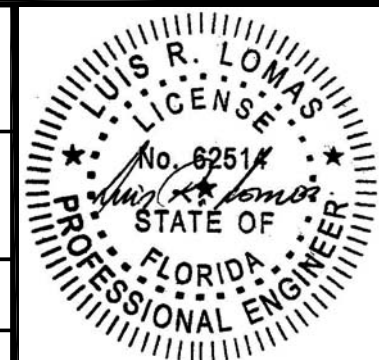
**MEETING RAIL
REINFORCEMENT**
EXTRUDED ALUMINUM 6005-T5, 6061-T5 OR
6105-T5(10300084)



PULL STILE REINFORCEMENT
EXTRUDED ALUMINUM (10300207)

SIGNED: 05/04/2021

 <p>Eastern ARCHITECTURAL SYSTEMS ALUMINUM AND VINYL IMPACT WINDOWS AND DOORS</p>			<p>EASTERN ARCHITECTURAL SYSTEMS A DIVISION OF EASTERN METAL SUPPLY 16341 DOMESTIC AVE FORT MYERS, FL 33912 800-432-2204</p>		
<p>SERIES 3241 HR PVC HORIZONTAL SLIDING WINDOW 71 1/2" X 59 1/2" COMPONENTS</p>					
DRAWN: TJH		DWG NO. 08-01214		REV B	
SCALE NTS		DATE 01/29/10		SHEET 7 OF 7	
<p>L. ROBERTO LOMAS P.E. 1432 WOODFORD RD LEWISVILLE, NC 27023 434-688-0609 rllomas@rlomaspe.com</p>					



Luis R. Lomas P.E.
FL No.: 62514