

REVISIONS			
REV	DESCRIPTION	DATE	APPROVED
C	REVISED PROFILES	01/15/23	R.L.


NOTES:

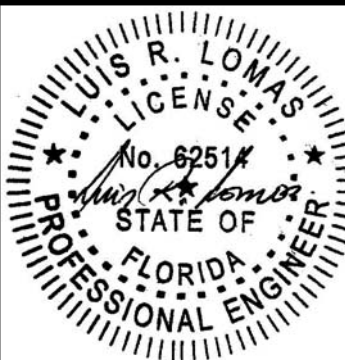
1. THE PRODUCT SHOWN HEREIN IS DESIGNED AND MANUFACTURED TO COMPLY WITH REQUIREMENTS OF THE FLORIDA BUILDING CODE INCLUDING THE HVHZ.
2. WOOD FRAMING AND MASONRY OPENING TO BE DESIGNED AND ANCHORED TO PROPERLY TRANSFER ALL LOADS TO STRUCTURE. FRAMING AND MASONRY OPENING IS THE RESPONSIBILITY OF THE ARCHITECT OR ENGINEER OF RECORD.
3. WHERE SHIM OR BUCK THICKNESS IS LESS THAN 1-1/2" WINDOW UNITS MUST BE ANCHORED THROUGH THE FRAME IN ACCORDANCE WITH MANUFACTURER'S PUBLISHED INSTALLATION INSTRUCTIONS. ANCHORS SHALL BE SECURELY FASTENED DIRECTLY INTO MASONRY, CONCRETE OR OTHER STRUCTURAL SUBSTRATE MATERIAL.
4. WHERE WOOD BUCK THICKNESS IS 1-1/2" OR GREATER, BUCK SHALL BE SECURELY FASTENED TO MASONRY, CONCRETE OR OTHER STRUCTURAL SUBSTRATE. WINDOW UNITS MAY BE ANCHORED THROUGH FRAME TO SECURED WOOD BUCK IN ACCORDANCE WITH MANUFACTURER'S PUBLISHED INSTALLATION INSTRUCTIONS.
5. WHERE 1X BUCK IS NOT USED DISSIMILAR MATERIALS MUST BE SEPARATED WITH APPROVED COATING OR MEMBRANE. SELECTION OF COATING OR MEMBRANE IS THE RESPONSIBILITY OF THE ARCHITECT OR ENGINEER OF RECORD.
6. BUCKS SHALL EXTEND BEYOND WINDOW INTERIOR FACE SO THAT FULL FRAME SUPPORT IS PROVIDED.
7. SHIM AS REQUIRED AT EACH ANCHOR LOCATION WITH LOAD BEARING SHIM. SHIM WHERE SPACE OF 1/16" OR GREATER OCCURS. MAXIMUM ALLOWABLE SHIM STACK TO BE 1/4".
8. SHIMS SHALL BE LOCATED, APPLIED AND MADE FROM MATERIALS AND THICKNESS CAPABLE OF SUSTAINING APPLICABLE LOADS.
9. WIND LOAD DURATION FACTOR Cd=1.6 WAS USED FOR WOOD ANCHOR CALCULATIONS.
10. FRAME MATERIAL: EXTRUDED ALUMINUM 6063-T5.
11. UNITS MUST BE GLAZED PER ASTM E1300, SEE SHEET 2 FOR GLASS DETAILS.
12. APPROVED IMPACT PROTECTIVE SYSTEM IS NOT REQUIRED FOR THIS PRODUCT IN WIND BORNE DEBRIS REGIONS.
13. FOR ANCHORING THROUGH FIN INTO WOOD FRAMING OR 2X BUCK USE #8 WOOD SCREWS WITH SUFFICIENT LENGTH TO ACHIEVE A 1 1/4" MINIMUM EMBEDMENT INTO SUBSTRATE. LOCATE ANCHORS AS SHOWN IN ELEVATIONS AND INSTALLATION DETAILS.

14. FOR ANCHORING THROUGH FRAME INTO WOOD FRAMING OR 2X BUCK USE #14 WOOD SCREWS WITH SUFFICIENT LENGTH TO ACHIEVE A 1 7/16" MINIMUM EMBEDMENT INTO SUBSTRATE. LOCATE ANCHORS AS SHOWN IN ELEVATIONS AND INSTALLATION DETAILS.
15. FOR ANCHORING THROUGH FRAME INTO MASONRY/CONCRETE USE 1/4 ELCO CRETE-FLEX TAPCONS WITH SUFFICIENT LENGTH TO ACHIEVE A 1 1/4" MINIMUM EMBEDMENT INTO SUBSTRATE WITH 2" MINIMUM EDGE DISTANCE. LOCATE ANCHORS AS SHOWN IN ELEVATIONS AND INSTALLATION DETAILS.
16. FOR ANCHORING THROUGH FRAME INTO METAL STRUCTURE USE #14 SMS OR SELF DRILLING SCREWS WITH SUFFICIENT LENGTH TO ACHIEVE 3 THREADS MINIMUM BEYOND STRUCTURE INTERIOR WALL. LOCATE ANCHORS AS SHOWN IN ELEVATIONS AND INSTALLATION DETAILS.
17. ALL FASTENERS TO BE CORROSION RESISTANT.
18. INSTALLATION ANCHORS SHALL BE INSTALLED IN ACCORDANCE WITH ANCHOR MANUFACTURER'S INSTALLATION INSTRUCTIONS AND ANCHORS SHALL NOT BE USED IN SUBSTRATES WITH STRENGTHS LESS THAN THE MINIMUM STRENGTH SPECIFIED BELOW:
  - A. WOOD - MINIMUM SPECIFIC GRAVITY OF G=0.42
  - B. CONCRETE - MINIMUM COMPRESSIVE STRENGTH OF 3,192 PSI.
  - C. MASONRY - STRENGTH CONFORMANCE TO ASTM C-90, GRADE N, TYPE 1 (OR GREATER).
  - D. METAL STRUCTURE: STEEL 18GA, 33KSI OR ALUMINUM 6063-T5 0.125" THICK MINIMUM
19. APPROVED CONFIGURATIONS: OX, XO, AND XOX.

SIGNED: 01/18/2023

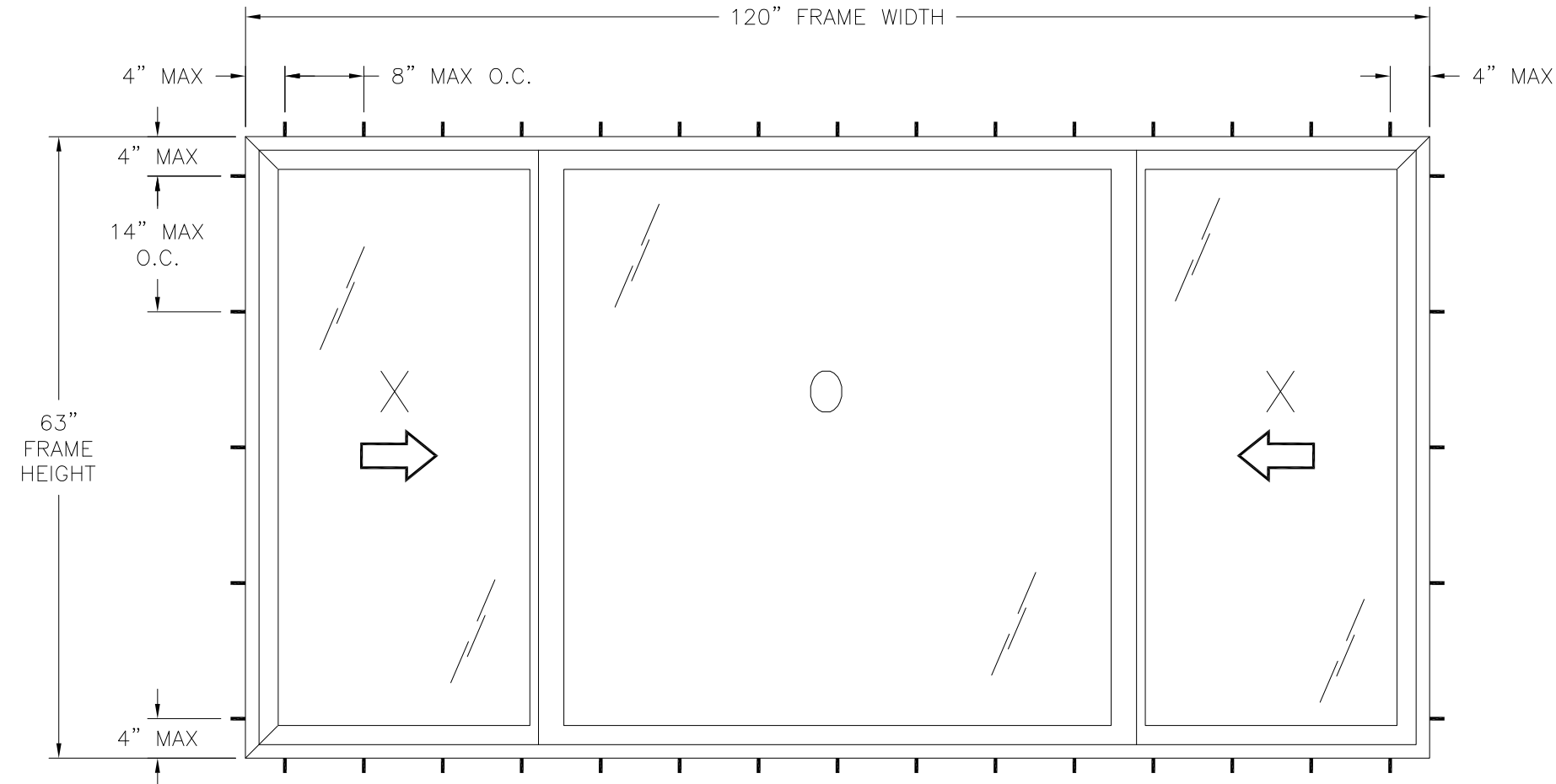
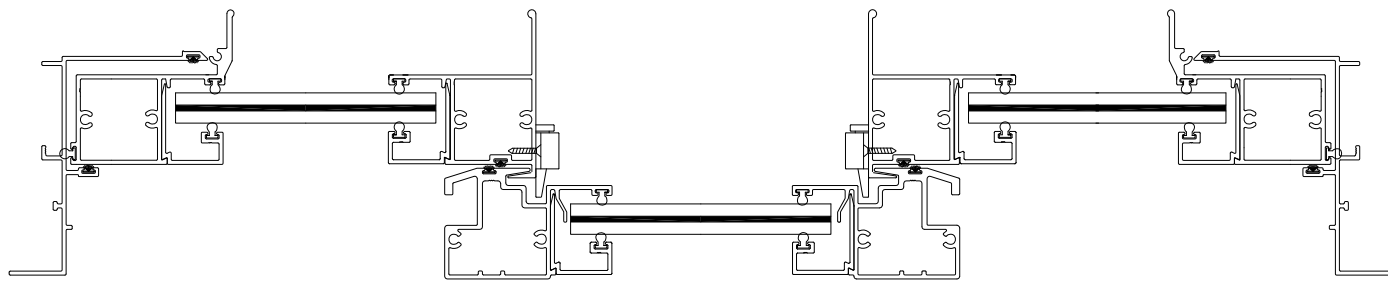
TABLE OF CONTENTS	
SHEET NO.	DESCRIPTION
1	NOTES
2	ELEVATION & GLAZING DETAIL
3 - 7	INSTALLATION DETAILS
8	COMPONENTS

		EASTERN ARCHITECTURAL SYSTEMS A DIVISION OF EASTERN METAL SUPPLY	
10030 BAVARIA ROAD FORT MYERS, FLORIDA 33913 800-432-2204		SERIES FWI 1000 ALUMINUM, IMPACT HORIZONTAL SLIDING WINDOW 120" X 63" NOTES	
DRAWN: V.L.	DWG NO. 08-02680	REV C	
SCALE NTS	DATE 04/13/15	SHEET 1 OF 8	
L. ROBERTO LOMAS P.E. 400 S. PALM AVE, INDIALANTIC, FL 32903 434-688-0609 rllomas@rlomaspe.com			

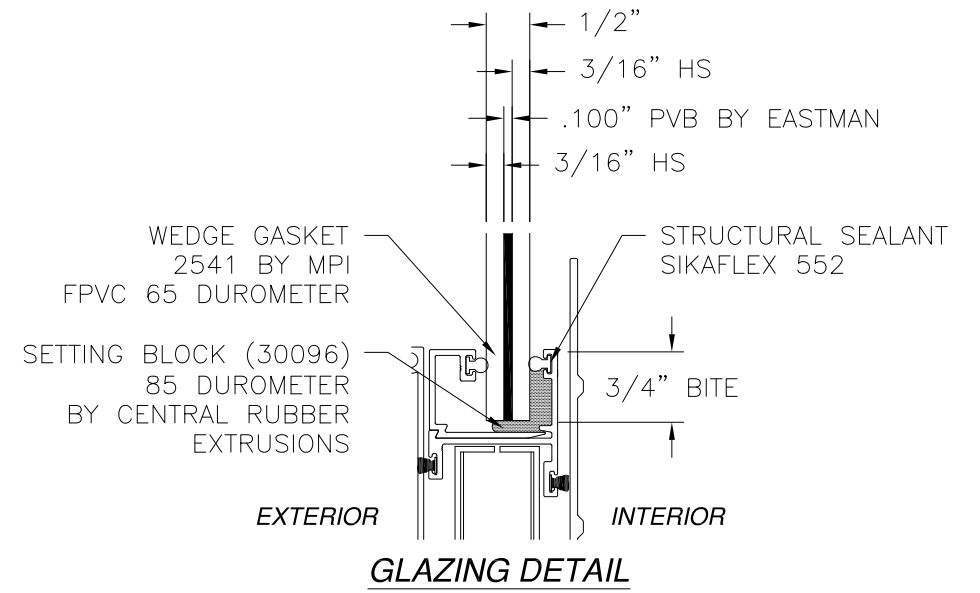


Luis R. Lomas P.E.  
FL No.: 62514

REVISIONS			
REV	DESCRIPTION	DATE	APPROVED
C	REVISED PROFILES	01/15/23	R.L.



**SERIES FWI 1000 ALUMINUM HORIZONTAL SLIDING WINDOW**  
EXTERIOR VIEW FRAME INSTALLATION



- NOTES:
1. SASH SIZE: 30" X 59 1/4"
  2. FIXED D.L.O.: 55" X 56"
  3. ACTIVE SASH D.L.O.: 25 1/4" X 56"
  4. (4) 1 3/8" X 3/16" WEEPHOLES AT SILL 5" FROM EACH END AND 1" FROM MEETING RAIL.
  5. (1) 1 3/4" X 3/16" WEEPHOLE 27 1/2" FROM SASH MEETING RAIL.

DESIGN PRESSURE RATING	IMPACT RATING
+100.0/-120.0PSF	LARGE AND SMALL MISSILE IMPACT

MISSILE LEVEL D, WIND ZONE 4, AND HVHZ

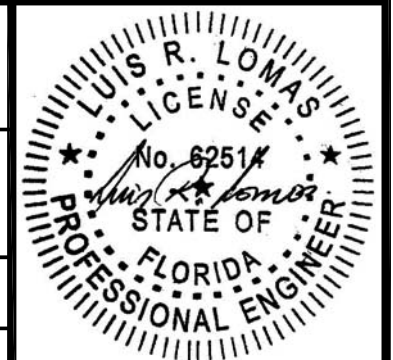
SIGNED: 01/18/2023

**Eastern** ARCHITECTURAL SYSTEMS  
A DIVISION OF EASTERN METAL SUPPLY  
10030 BAVARIA ROAD  
FORT MYERS, FLORIDA 33913  
800-432-2204

SERIES FWI 1000 ALUMINUM, IMPACT HORIZONTAL SLIDING WINDOW 120" X 63" ELEVATION AND GLAZING DETAIL

DRAWN: V.L.	DWG NO. 08-02680	REV C
SCALE NTS	DATE 04/13/15	SHEET 2 OF 8

L. ROBERTO LOMAS P.E.  
400 S. PALM AVE, INDIALANTIC, FL 32903  
434-688-0609 rllomas@rlomaspe.com

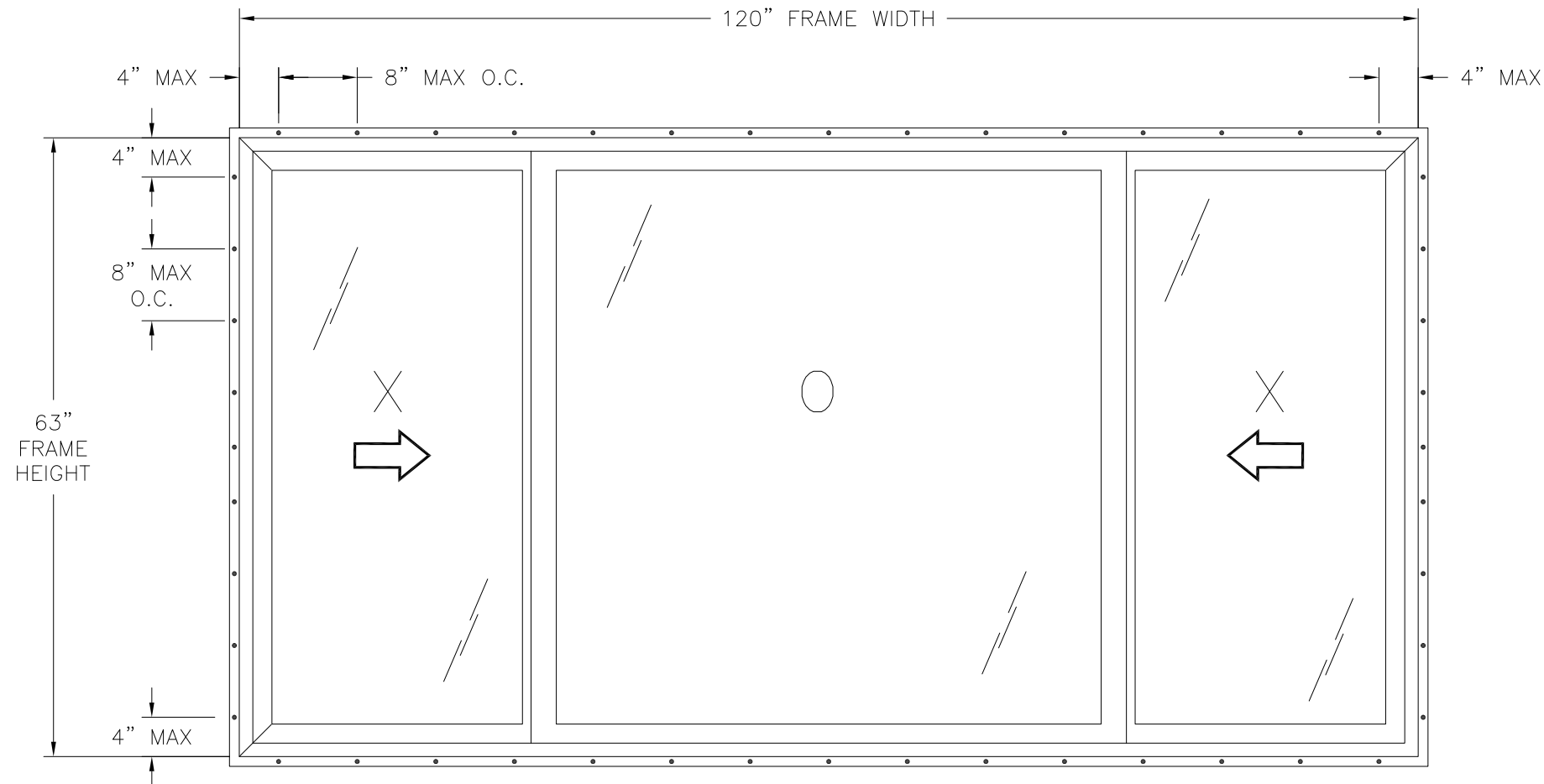


Luis R. Lomas P.E.  
FL No.: 62514

**HARDWARE SCHEDULE**

- |    |                                                                         |
|----|-------------------------------------------------------------------------|
| A. | (4) METALLIC CAM LOCK, 9 1/2" FROM TOP AND BOTTOM RAIL                  |
| B. | (4) METALLIC SASH TOP GUIDE AT TOP AND BOTTOM OF EACH SASH MEETING RAIL |

REVISIONS			
REV	DESCRIPTION	DATE	APPROVED
C	REVISED PROFILES	01/15/23	R.L.



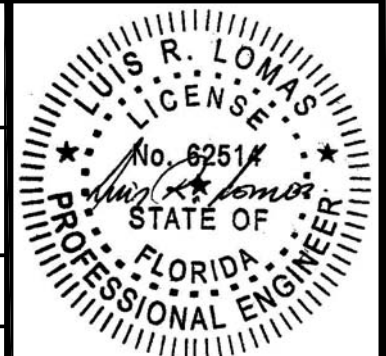
**SERIES FWI 1000 ALUMINUM HORIZONTAL SLIDING WINDOW**  
EXTERIOR VIEW FIN INSTALLATION

DESIGN PRESSURE RATING	IMPACT RATING
+100.0/-120.0PSF	LARGE AND SMALL MISSILE IMPACT

MISSILE LEVEL D, WIND ZONE 4, AND HVHZ

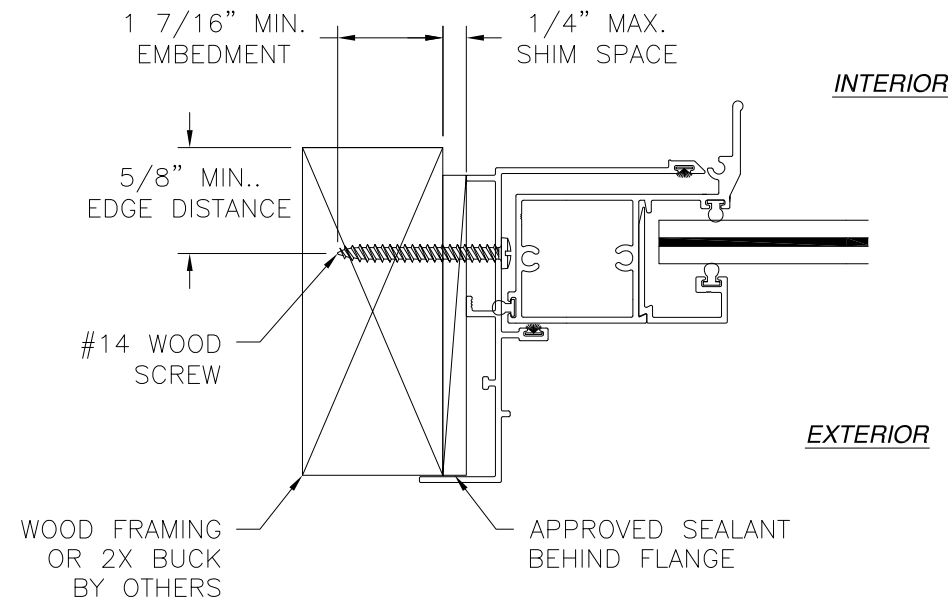
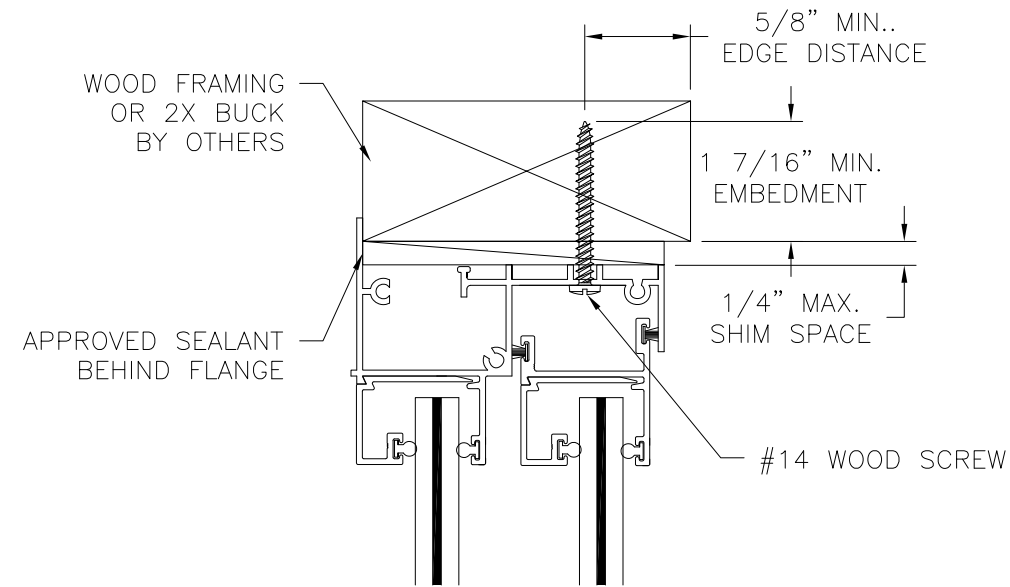
SIGNED: 01/18/2023

		EASTERN ARCHITECTURAL SYSTEMS A DIVISION OF EASTERN METAL SUPPLY 10030 BAVARIA ROAD FORT MYERS, FLORIDA 33913 800-432-2204	
SERIES FWI 1000 ALUMINUM, IMPACT HORIZONTAL SLIDING WINDOW 120" X 63" FIN INSTALLATION ELEVATION			
DRAWN: V.L.	DWG NO. 08-02680	REV C	
SCALE NTS	DATE 04/13/15	SHEET 3 OF 8	
L. ROBERTO LOMAS P.E. 400 S. PALM AVE, INDIALANTIC, FL 32903 434-688-0609 rllomas@rlomaspe.com			

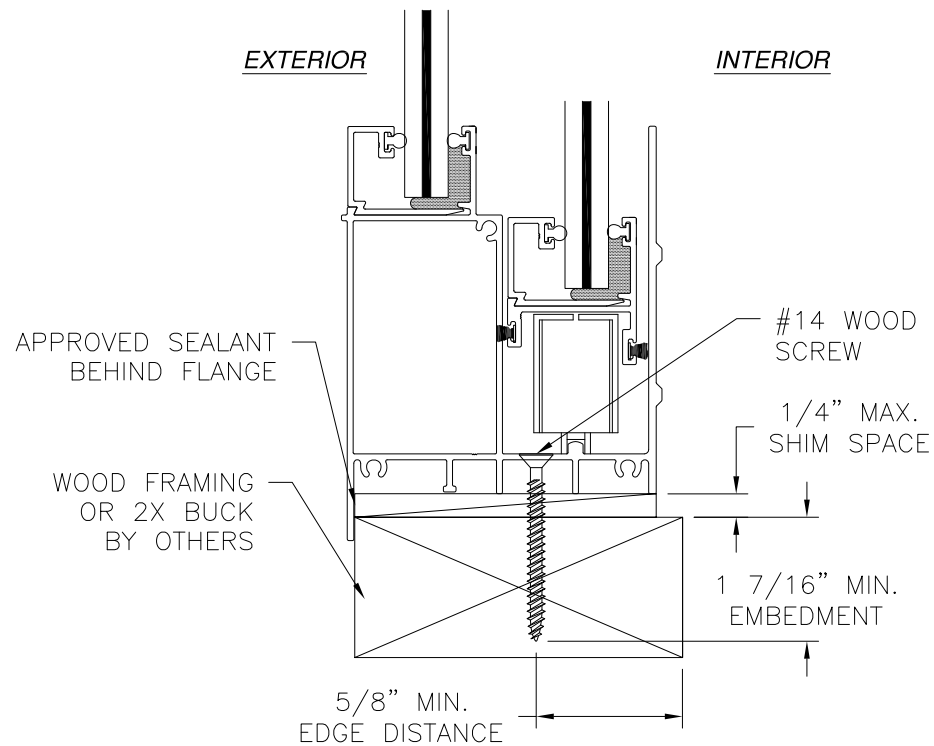


Luis R. Lomas P.E.  
FL No.: 62514

REVISIONS			
REV	DESCRIPTION	DATE	APPROVED
C	REVISED PROFILES	01/15/23	R.L.



**JAMB INSTALLATION DETAIL**  
WOOD FRAMING OR 2X BUCK INSTALLATION

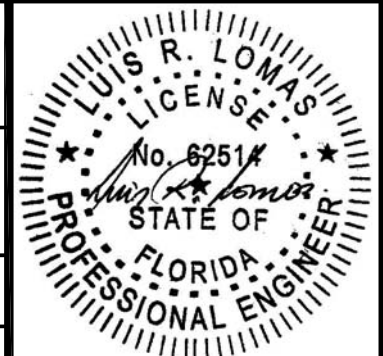


**VERTICAL CROSS SECTION**  
WOOD FRAMING OR 2X BUCK INSTALLATION

**NOTES:**  
1. INTERIOR AND EXTERIOR FINISHES, BY OTHERS, NOT SHOWN FOR CLARITY.  
2. PERIMETER AND JOINT SEALANT BY OTHERS TO BE DESIGNED IN ACCORDANCE WITH ASTM E2112

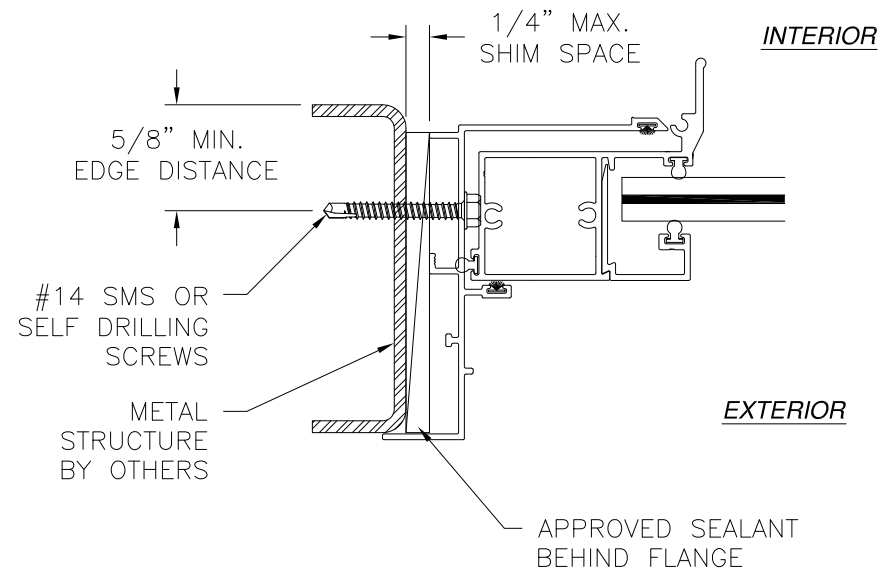
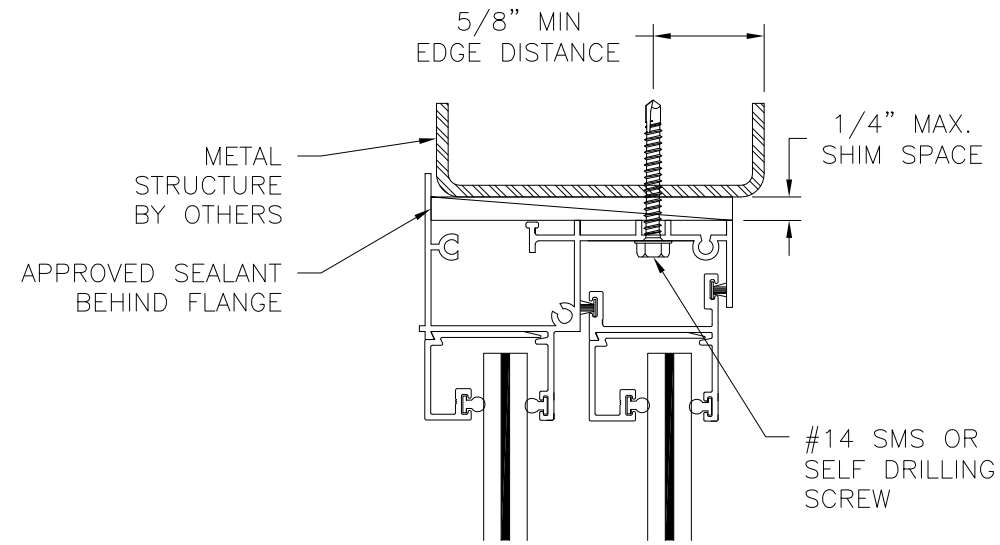
		EASTERN ARCHITECTURAL SYSTEMS A DIVISION OF EASTERN METAL SUPPLY 10030 BAVARIA ROAD FORT MYERS, FLORIDA 33913 800-432-2204	
SERIES FWI 1000 ALUMINUM, IMPACT HORIZONTAL SLIDING WINDOW 120" X 63" INSTALLATION DETAILS			
DRAWN: V.L.	DWG NO. 08-02680	REV C	
SCALE NTS	DATE 04/13/15	SHEET 4 OF 8	
L. ROBERTO LOMAS P.E. 400 S. PALM AVE, INDIALANTIC, FL 32903 434-688-0609 rllomas@rlomaspe.com			

SIGNED: 01/18/2023

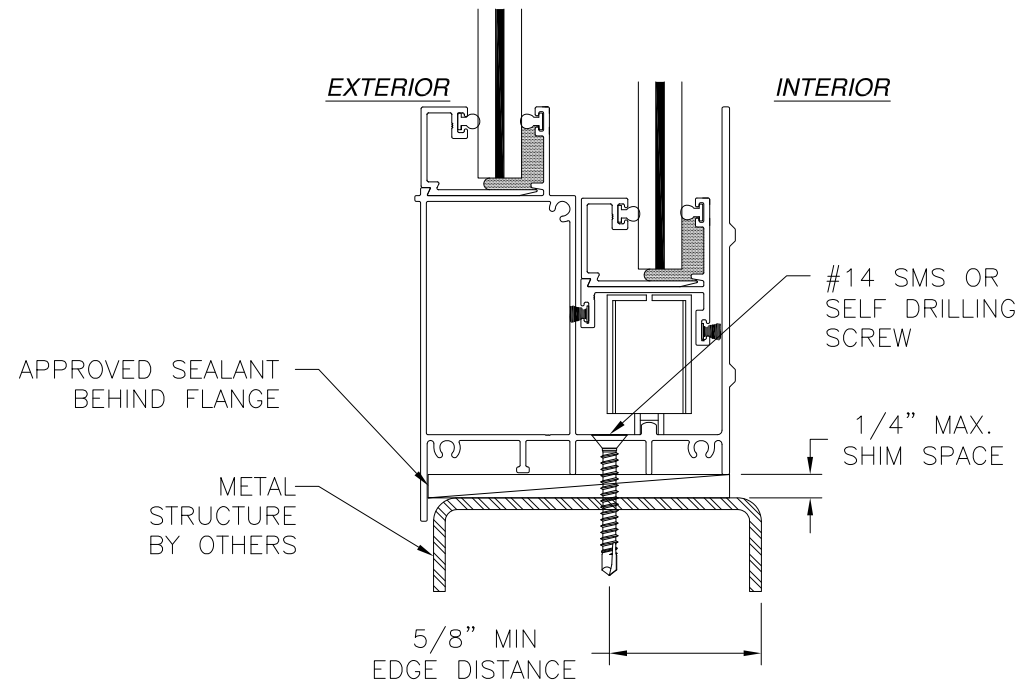


Luis R. Lomas P.E.  
FL No.: 62514

REVISIONS			
REV	DESCRIPTION	DATE	APPROVED
C	REVISED PROFILES	01/15/23	R.L.



**JAMB INSTALLATION DETAIL**  
METAL STRUCTURE INSTALLATION

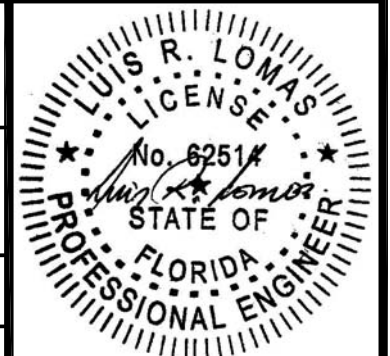


**VERTICAL CROSS SECTION**  
METAL STRUCTURE INSTALLATION

**NOTES:**  
 1. INTERIOR AND EXTERIOR FINISHES, BY OTHERS, NOT SHOWN FOR CLARITY.  
 2. PERIMETER AND JOINT SEALANT BY OTHERS TO BE DESIGNED IN ACCORDANCE WITH ASTM E2112

SIGNED: 01/18/2023

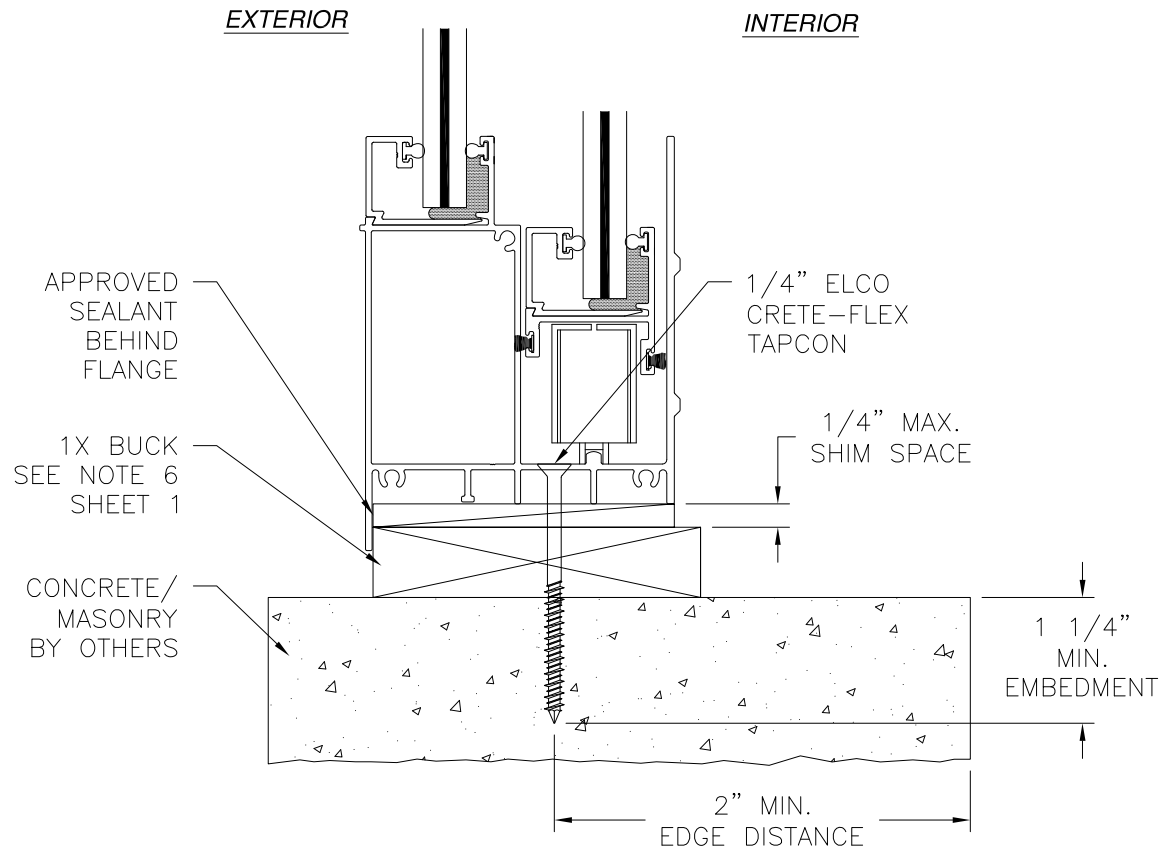
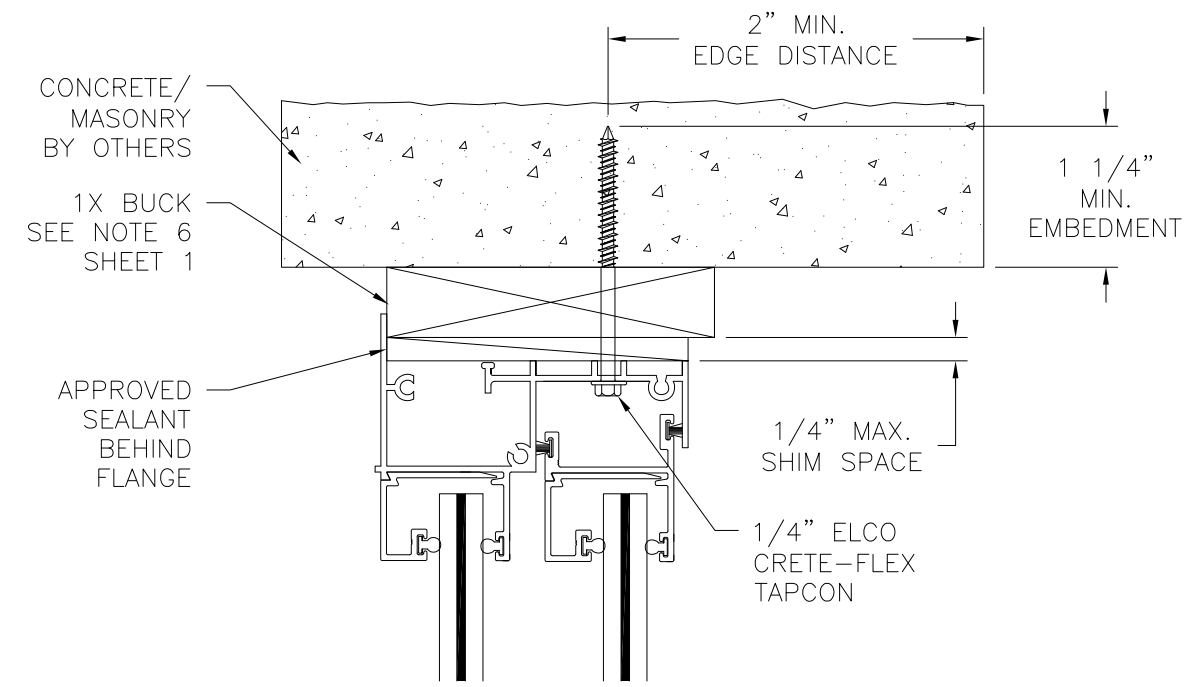
		EASTERN ARCHITECTURAL SYSTEMS A DIVISION OF EASTERN METAL SUPPLY 10030 BAVARIA ROAD FORT MYERS, FLORIDA 33913 800-432-2204	
SERIES FWI 1000 ALUMINUM, IMPACT HORIZONTAL SLIDING WINDOW 120" X 63" INSTALLATION DETAILS			
DRAWN: V.L.	DWG NO. 08-02680	REV C	
SCALE NTS	DATE 04/13/15	SHEET 5 OF 8	
L. ROBERTO LOMAS P.E. 400 S. PALM AVE, INDIALANTIC, FL 32903 434-688-0609 rllomas@rlomaspe.com			



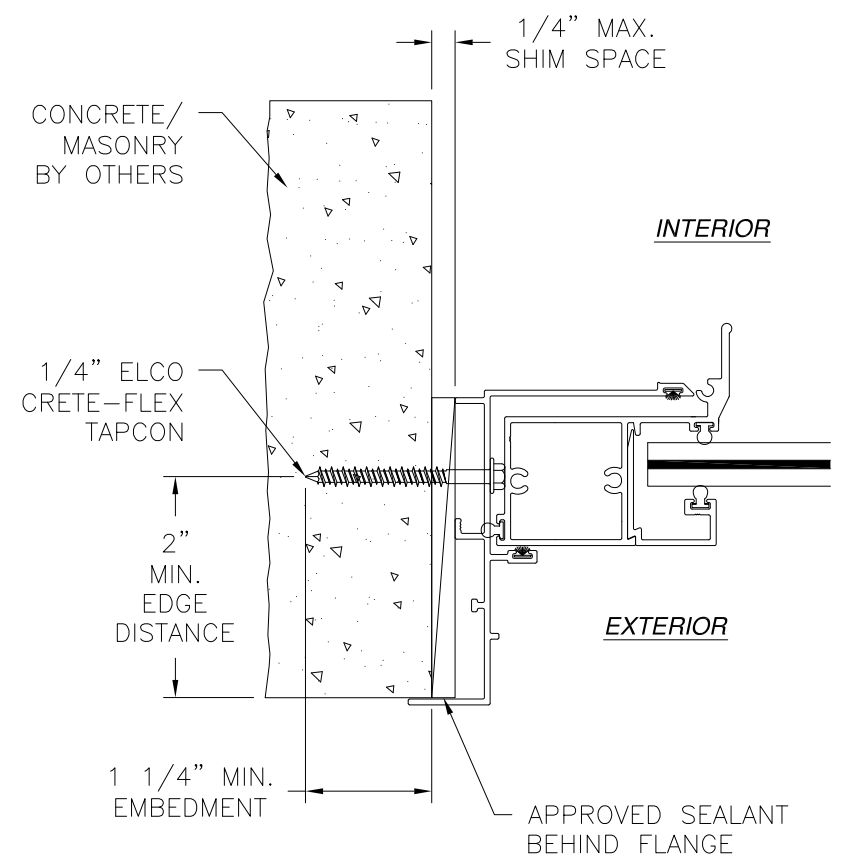
Luis R. Lomas P.E.  
FL No.: 62514



REVISIONS			
REV	DESCRIPTION	DATE	APPROVED
C	REVISED PROFILES	01/15/23	R.L.



**VERTICAL CROSS SECTION**  
**CONCRETE/MASONRY 1X BUCK INSTALLATION**  
 FOR INSTALLATION WITHOUT 1X BUCK REFER TO JAMB INSTALLATION DETAIL

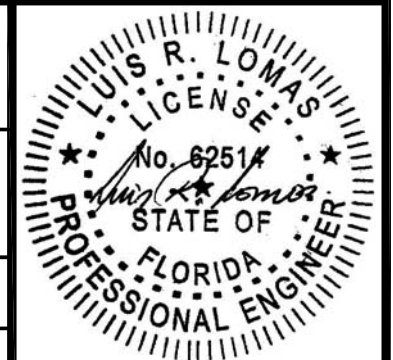


**JAMB INSTALLATION DETAIL**  
**CONCRETE/MASONRY INSTALLATION**  
 FOR 1X BUCK INSTALLATION REFER TO HEAD AND SILL INSTALLATION DETAILS

- NOTES:**
1. INTERIOR AND EXTERIOR FINISHES, BY OTHERS, NOT SHOWN FOR CLARITY.
  2. PERIMETER AND JOINT SEALANT BY OTHERS TO BE DESIGNED IN ACCORDANCE WITH ASTM E2112

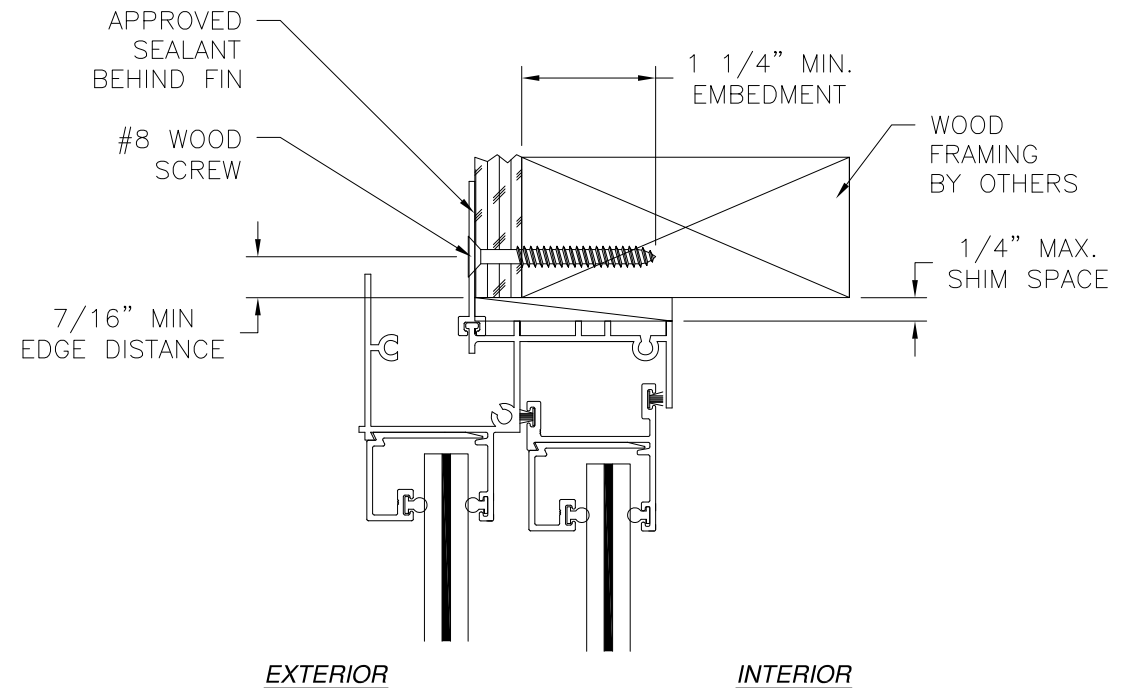
 <b>Eastern</b> ARCHITECTURAL SYSTEMS ALUMINUM AND VINYL IMPACT WINDOWS AND DOORS		EASTERN ARCHITECTURAL SYSTEMS A DIVISION OF EASTERN METAL SUPPLY 10030 BAVARIA ROAD FORT MYERS, FLORIDA 33913 800-432-2204	
<b>SERIES FWI 1000 ALUMINUM, IMPACT          HORIZONTAL SLIDING WINDOW 120" X 63"          INSTALLATION DETAILS</b>			
DRAWN: V.L.	DWG NO. 08-02680	REV C	
SCALE NTS	DATE 04/13/15	SHEET 6 OF 8	
L. ROBERTO LOMAS P.E. 400 S. PALM AVE, INDIALANTIC, FL 32903 434-688-0609 rllomas@rlomaspe.com			

SIGNED: 01/18/2023

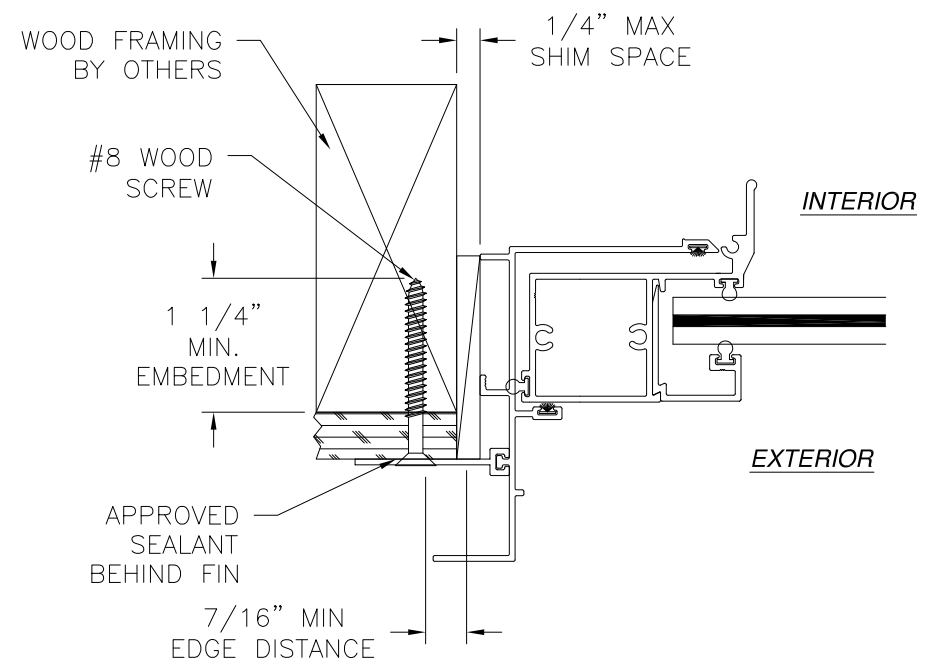


Luis R. Lomas P.E.  
 FL No.: 62514

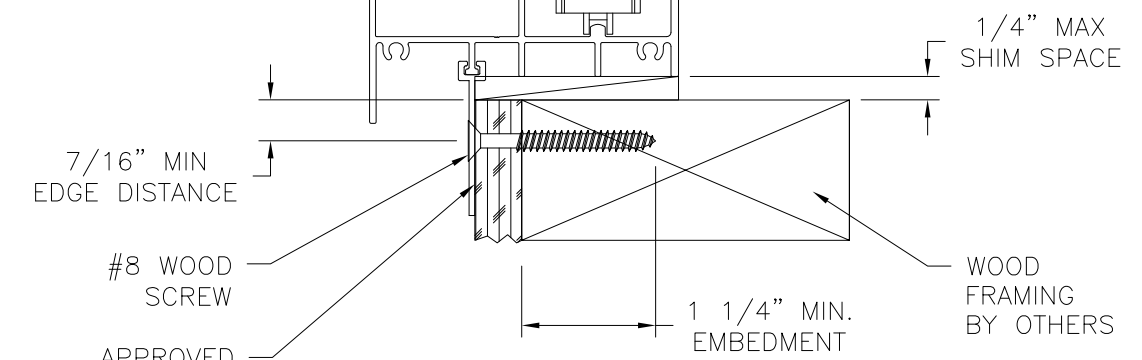
REVISIONS			
REV	DESCRIPTION	DATE	APPROVED
C	REVISED PROFILES	01/15/23	R.L.



EXTERIOR INTERIOR




**JAMB INSTALLATION DETAIL**  
WOOD FRAMING OR 2X BUCK INSTALLATION

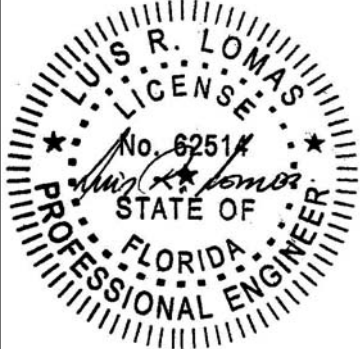


**VERTICAL CROSS SECTION**  
WOOD FRAMING OR 2X BUCK INSTALLATION

- NOTES:**
1. INTERIOR AND EXTERIOR FINISHES, BY OTHERS, NOT SHOWN FOR CLARITY.
  2. PERIMETER AND JOINT SEALANT BY OTHERS TO BE DESIGNED IN ACCORDANCE WITH ASTM E2112

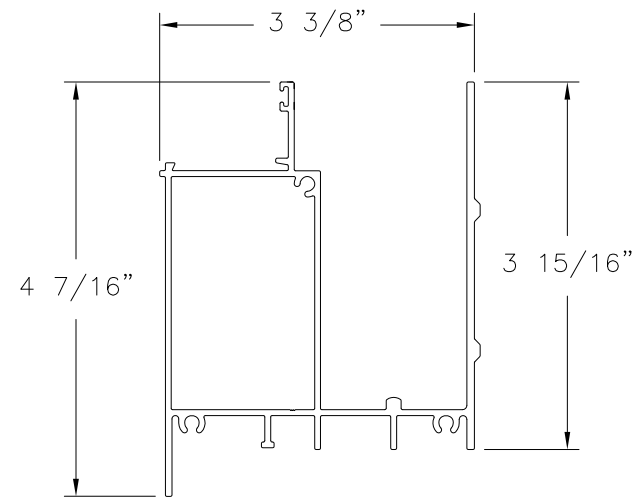
SIGNED: 01/18/2023

		EASTERN ARCHITECTURAL SYSTEMS A DIVISION OF EASTERN METAL SUPPLY 10030 BAVARIA ROAD FORT MYERS, FLORIDA 33913 800-432-2204	
SERIES FWI 1000 ALUMINUM, IMPACT HORIZONTAL SLIDING WINDOW 120" X 63" SLIP-ON FIN INSTALLATION DETAILS			
DRAWN: V.L.	DWG NO. 08-02680	REV C	
SCALE NTS	DATE 04/13/15	SHEET 7 OF 8	
L. ROBERTO LOMAS P.E. 400 S. PALM AVE, INDIALANTIC, FL 32903 434-688-0609 rllomas@rlomaspe.com			

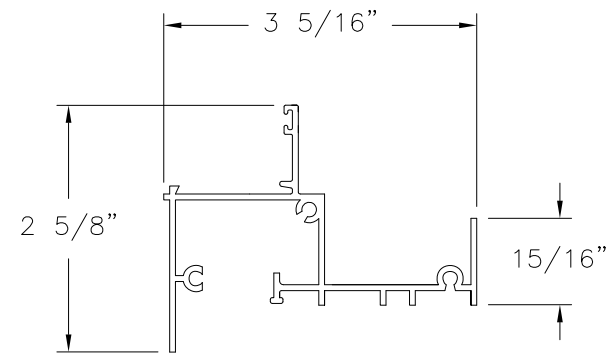


Luis R. Lomas P.E.  
FL No.: 62514

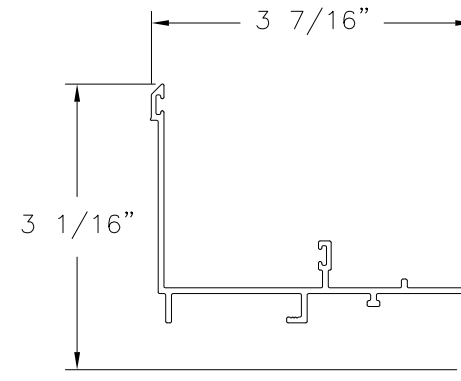
REVISIONS			
REV	DESCRIPTION	DATE	APPROVED
C	REVISED PROFILES	01/15/23	R.L.



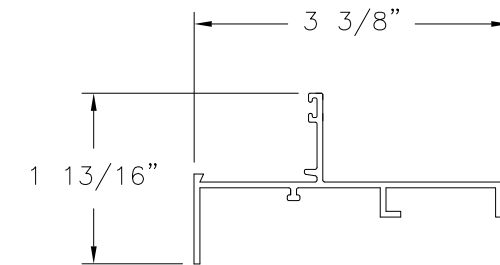
**SILL**  
EXTRUDED ALUMINUM 6063-T6



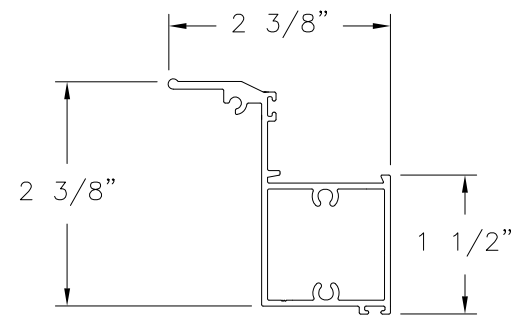
**HEAD**  
EXTRUDED ALUMINUM 6063-T6



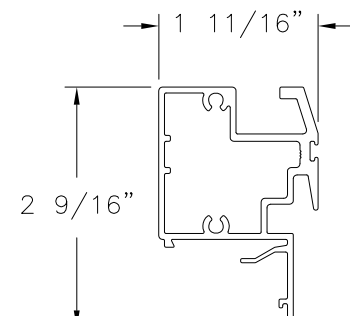
**LOCK JAMB**  
EXTRUDED ALUMINUM 6063-T6



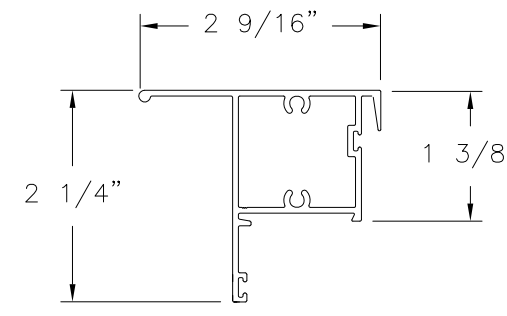
**FIXED JAMB**  
EXTRUDED ALUMINUM 6063-T6



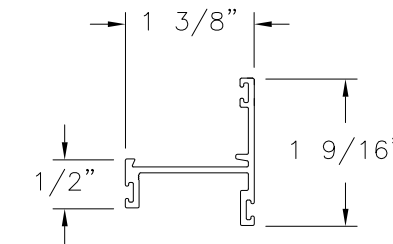
**PULL STILE**  
EXTRUDED ALUMINUM 6063-T6



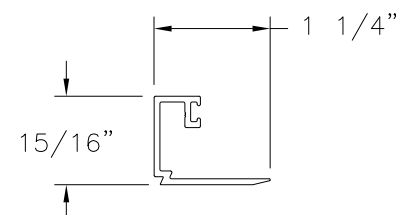
**MEETING RAIL**  
EXTRUDED ALUMINUM 6063-T6



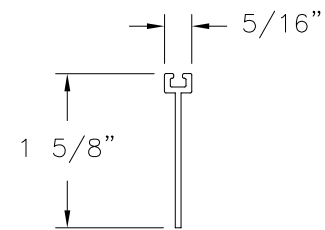
**LOCK STILE**  
EXTRUDED ALUMINUM 6063-T6



**FRAME HEAD COVER**  
EXTRUDED ALUMINUM 6063-T6



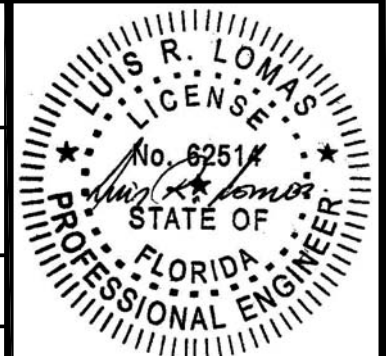
**GLAZING BEAD**  
EXTRUDED ALUMINUM 6063-T6



**SLIP-ON FIN**  
EXTRUDED ALUMINUM 6063-T6

		EASTERN ARCHITECTURAL SYSTEMS A DIVISION OF EASTERN METAL SUPPLY 10030 BAVARIA ROAD FORT MYERS, FLORIDA 33913 800-432-2204	
SERIES FWI 1000 ALUMINUM, IMPACT HORIZONTAL SLIDING WINDOW 120" X 63" COMPONENTS			
DRAWN: V.L.	DWG NO. 08-02680	REV C	
SCALE NTS	DATE 04/13/15	SHEET 8 OF 8	
L. ROBERTO LOMAS P.E. 400 S. PALM AVE, INDIALANTIC, FL 32903 434-688-0609 rllomas@rlomaspe.com			

SIGNED: 01/18/2023



Luis R. Lomas P.E.  
FL No.: 62514