

REVISIONS			
REV	DESCRIPTION	DATE	APPROVED

NOTES:

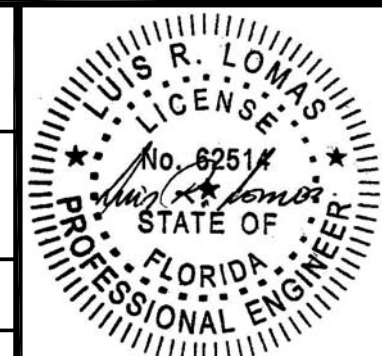
1. THE PRODUCT SHOWN HEREIN IS DESIGNED AND MANUFACTURED TO COMPLY WITH REQUIREMENTS OF THE FLORIDA BUILDING CODE.
2. WOOD FRAMING, METAL STRUCTURE AND MASONRY OPENING TO BE DESIGNED AND ANCHORED TO PROPERLY TRANSFER ALL LOADS TO STRUCTURE. FRAMING AND MASONRY OPENING IS THE RESPONSIBILITY OF THE ARCHITECT OR ENGINEER OF RECORD.
3. WHERE SHIM OR BUCK THICKNESS IS LESS THAN 1-1/2" UNITS MUST BE ANCHORED THROUGH THE FRAME IN ACCORDANCE WITH MANUFACTURER'S PUBLISHED INSTALLATION INSTRUCTIONS. ANCHORS SHALL BE SECURELY FASTENED DIRECTLY INTO MASONRY, CONCRETE OR OTHER STRUCTURAL SUBSTRATE MATERIAL.
4. WHERE WOOD BUCK THICKNESS IS 1-1/2" OR GREATER, BUCK SHALL BE SECURELY FASTENED TO MASONRY, CONCRETE OR OTHER STRUCTURAL SUBSTRATE. UNITS MAY BE ANCHORED THROUGH FRAME TO SECURED WOOD BUCK IN ACCORDANCE WITH MANUFACTURER'S PUBLISHED INSTALLATION INSTRUCTIONS.
5. WHERE 1X BUCK IS NOT USED DISSIMILAR MATERIALS MUST BE SEPARATED WITH APPROVED COATING OR MEMBRANE. SELECTION OF COATING OR MEMBRANE IS THE RESPONSIBILITY OF THE ARCHITECT OR ENGINEER OF RECORD.
6. BUCKS SHALL EXTEND BEYOND UNIT FRAME INTERIOR FACE SO THAT FULL FRAME SUPPORT IS PROVIDED.
7. SHIM AS NEEDED AT EACH ANCHOR LOCATION WITH LOAD BEARING SHIM. SHIM WHERE SPACE OF 1/16" OR GREATER OCCURS. MAXIMUM ALLOWABLE SHIM STACK TO BE 1/4".
8. SHIMS SHALL BE LOCATED, APPLIED AND MADE FROM MATERIALS AND THICKNESS CAPABLE OF SUSTAINING APPLICABLE LOADS.
9. WIND LOAD DURATION FACTOR Cd=1.6 WAS USED FOR WOOD ANCHOR CALCULATIONS.
10. FRAME MATERIAL: EXTRUDED RIGID PVC.
11. UNITS MUST BE GLAZED PER ASTM E1300.
12. APPROVED IMPACT PROTECTIVE SYSTEM IS REQUIRED FOR THIS PRODUCT IN WIND BORNE DEBRIS REGIONS.

13. FOR ANCHORING THROUGH FIN INTO WOOD FRAMING OR 2X BUCK USE #8 WOOD SCREWS WITH SUFFICIENT LENGTH TO ACHIEVE A 3/4" MINIMUM EMBEDMENT INTO SUBSTRATE. LOCATE ANCHORS AS SHOWN IN ELEVATIONS AND INSTALLATION DETAILS.
14. FOR ANCHORING THROUGH FIN INTO METAL STRUCTURE USE #8 SMS OR SELF DRILLING SCREWS WITH SUFFICIENT LENGTH TO ACHIEVE 3 THREADS MINIMUM BEYOND STRUCTURE INTERIOR WALL. LOCATE ANCHORS AS SHOWN IN ELEVATIONS AND INSTALLATION DETAILS.
15. FOR ANCHORING THROUGH FRAME INTO WOOD FRAMING OR 2X BUCK USE #10 WOOD SCREWS WITH SUFFICIENT LENGTH TO ACHIEVE A 1 1/4" MINIMUM EMBEDMENT INTO SUBSTRATE. LOCATE ANCHORS AS SHOWN IN ELEVATIONS AND INSTALLATION DETAILS.
16. FOR ANCHORING THROUGH FRAME INTO MASONRY/CONCRETE USE 3/16" TAPCONS WITH SUFFICIENT LENGTH TO ACHIEVE A 1 1/4" MINIMUM EMBEDMENT INTO SUBSTRATE WITH 2" MINIMUM EDGE DISTANCE. LOCATE ANCHORS AS SHOWN IN ELEVATIONS AND INSTALLATION DETAILS.
17. FOR ANCHORING THROUGH FRAME INTO METAL STRUCTURE USE #10 SMS OR SELF DRILLING SCREWS WITH SUFFICIENT LENGTH TO ACHIEVE 3 THREADS MINIMUM BEYOND STRUCTURE INTERIOR WALL. LOCATE ANCHORS AS SHOWN IN ELEVATIONS AND INSTALLATION DETAILS.
18. ALL FASTENERS TO BE CORROSION RESISTANT.
19. INSTALLATION ANCHORS SHALL BE INSTALLED IN ACCORDANCE WITH ANCHOR MANUFACTURER'S INSTALLATION INSTRUCTIONS AND ANCHORS SHALL NOT BE USED IN SUBSTRATES WITH STRENGTHS LESS THAN THE MINIMUM STRENGTH SPECIFIED BELOW:
  - 19.1. WOOD: MINIMUM SPECIFIC GRAVITY OF G=0.42
  - 19.2. CONCRETE: MINIMUM COMPRESSIVE STRENGTH OF 2,000 PSI.
  - 19.3. MASONRY: HOLLOW/FILLED BLOCK PER ASTM C90 WITH Fm=2,000PSI MINIMUM.
  - 19.4. METAL STRUCTURE: STEEL 18GA (.048") FY=33KSI/FU=52KSI OR ALUMINUM 6063-T5 FU=30KSI 1/8" THICK MINIMUM

SIGNED: 12/21/2023

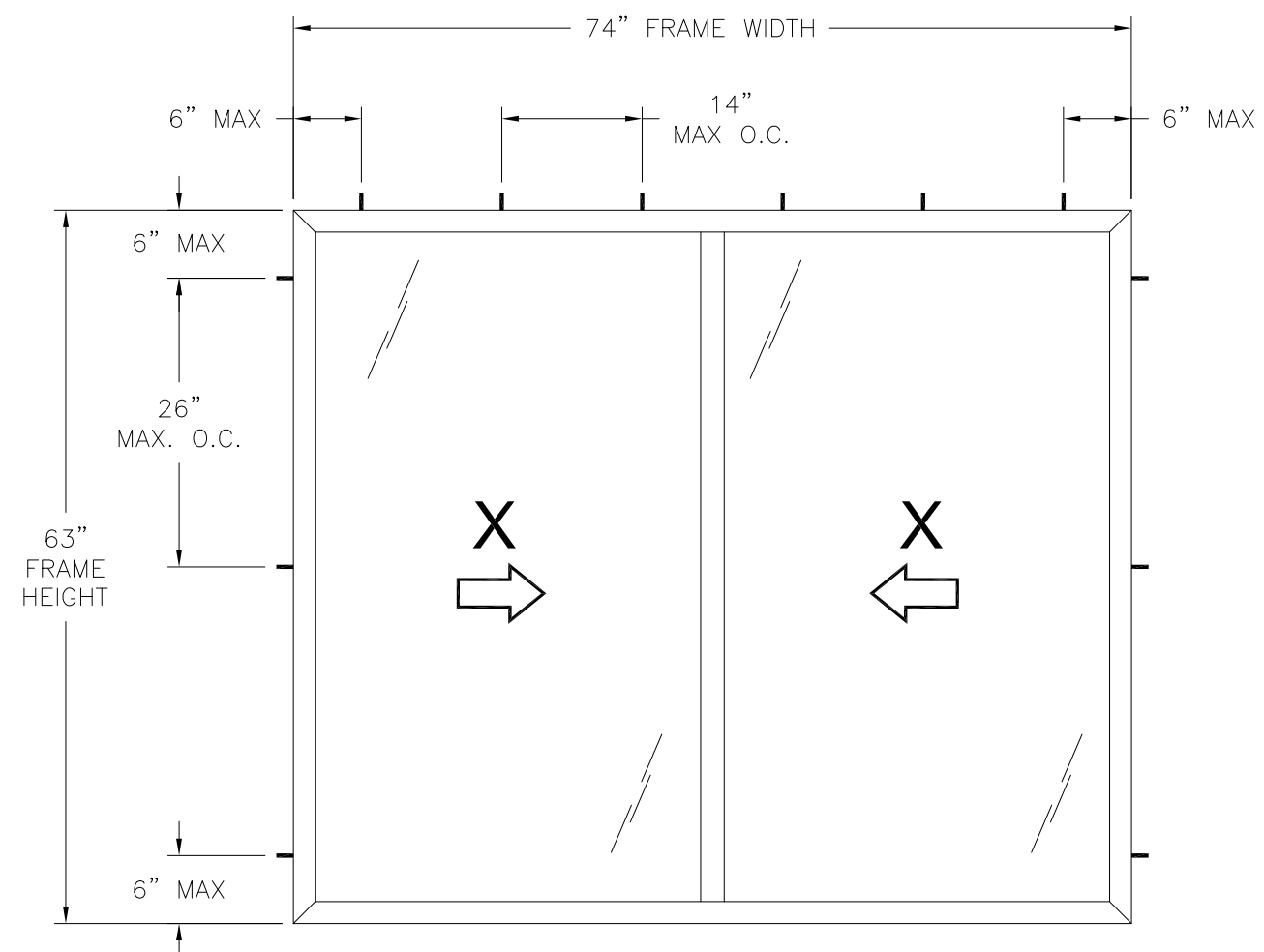
TABLE OF CONTENTS	
SHEET NO.	DESCRIPTION
1	NOTES
2	ELEVATIONS
3	HORIZONTAL CROSS SECTIONS
4 - 11	INSTALLATION DETAILS
12	COMPONENTS

			EASTERN ARCHITECTURAL SYSTEMS A DIVISION OF EASTERN METAL SUPPLY 16341 DOMESTIC AVE FORT MYERS, FL 33912 800-432-2204		
SERIES "279.043" VINYL HORIZONTAL SLIDING WINDOW NON-IMPACT NOTES					
DRAWN:		DWG NO.		REV	
A.R.		08-03988		-	
SCALE NTS		DATE 11/23/2023		SHEET 1 OF 12	
L. ROBERTO LOMAS P.E. 208 7th Ave, INDIALANTIC, FL 32903 434-688-0609 rllomas@rlomaspe.com					

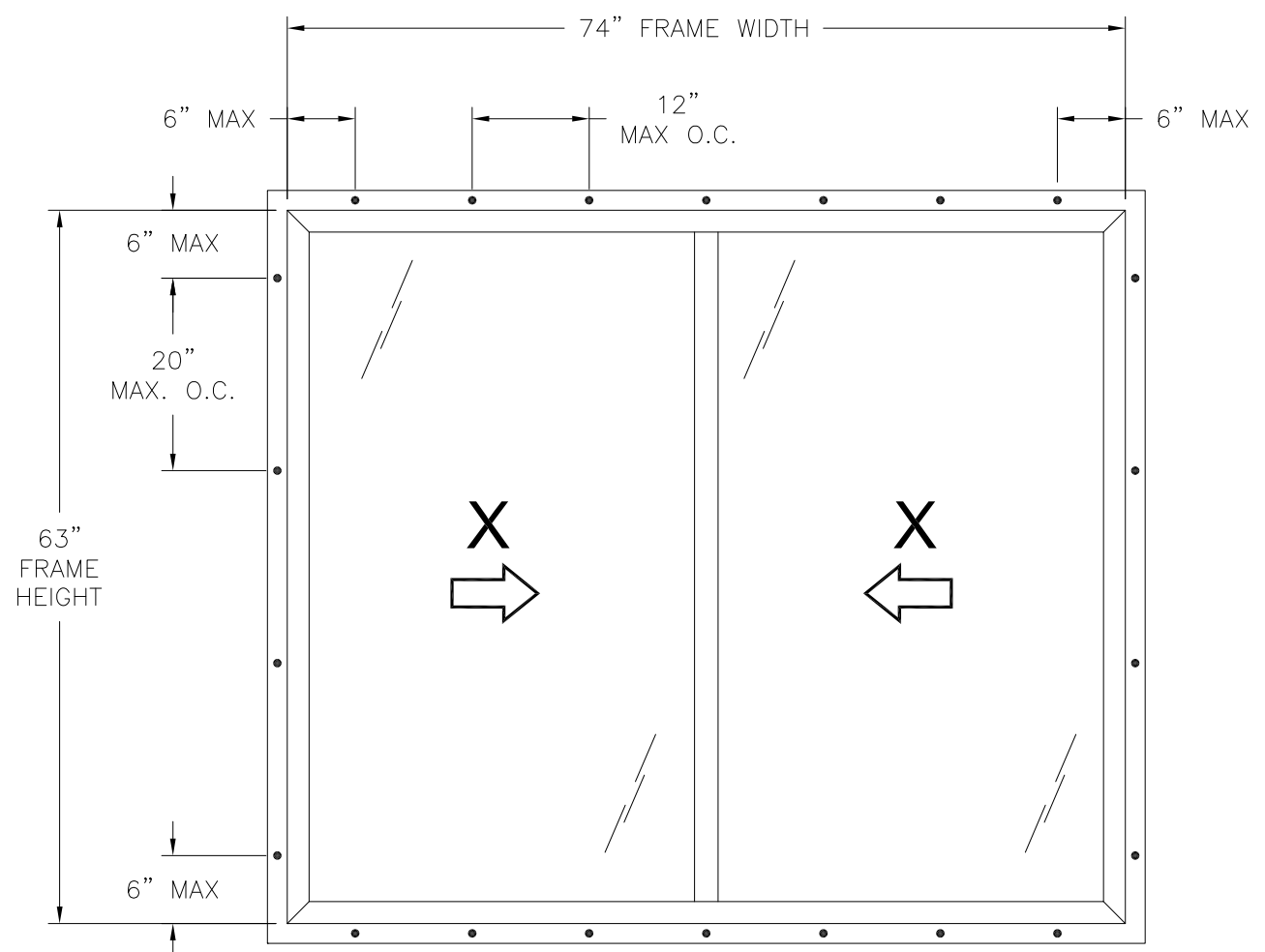


Luis R. Lomas P.E.  
FL No.: 62514

REVISIONS			
REV	DESCRIPTION	DATE	APPROVED



**SERIES "279.043" VINYL HORIZONTAL SLIDING WINDOW**  
EXTERIOR VIEW  
FINLESS INSTALLATION



**SERIES "279.043" VINYL HORIZONTAL SLIDING WINDOW**  
EXTERIOR VIEW  
FIN INSTALLATION

DESIGN PRESSURE RATING	IMPACT RATING
±50.0PSF	NONE

- NOTES:
- SASH SIZE: 35 5/8" X 58 3/8"
  - D.L.O.: 32 1/2" X 52 3/4"

HARDWARE SCHEDULE	
A.	(2) METAL CAM LOCK WITH KEEPER AT LOCK STILE KEEPER ON EXTERIOR MEETING STILE, ONE 8" IN FROM EACH END
B.	(4) DUAL STEEL ROLLER ASSEMBLY AT BOTTOM RAILS, ONE AT EACH END
C.	EXTRUDED ALUMINUM REINFORCEMENT (10300266) AT LOCK STILE, TOP RAILS AND BOTTOM RAILS
D.	EXTRUDED ALUMINUM REINFORCEMENT (10300159) AT PULL STILES AND KEEPER STILE



EASTERN ARCHITECTURAL SYSTEMS  
 A DIVISION OF  
 EASTERN METAL SUPPLY  
 16341 DOMESTIC AVE  
 FORT MYERS, FL 33912  
 800-432-2204

**SERIES "279.043" VINYL HORIZONTAL SLIDING WINDOW NON-IMPACT ELEVATIONS**

DRAWN: A.R.	DWG NO. 08-03988	REV -
SCALE NTS	DATE 11/23/2023	SHEET 2 OF 12

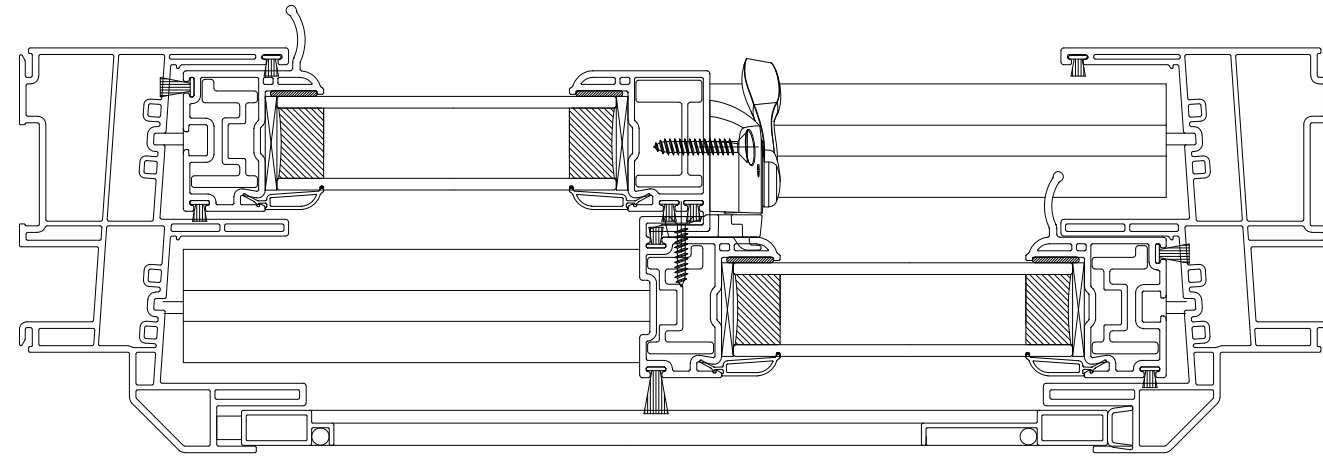
L. ROBERTO LOMAS P.E.  
 208 7th Ave, INDIALANTIC, FL 32903  
 434-688-0609 rllomas@rlomaspe.com

SIGNED: 12/21/2023

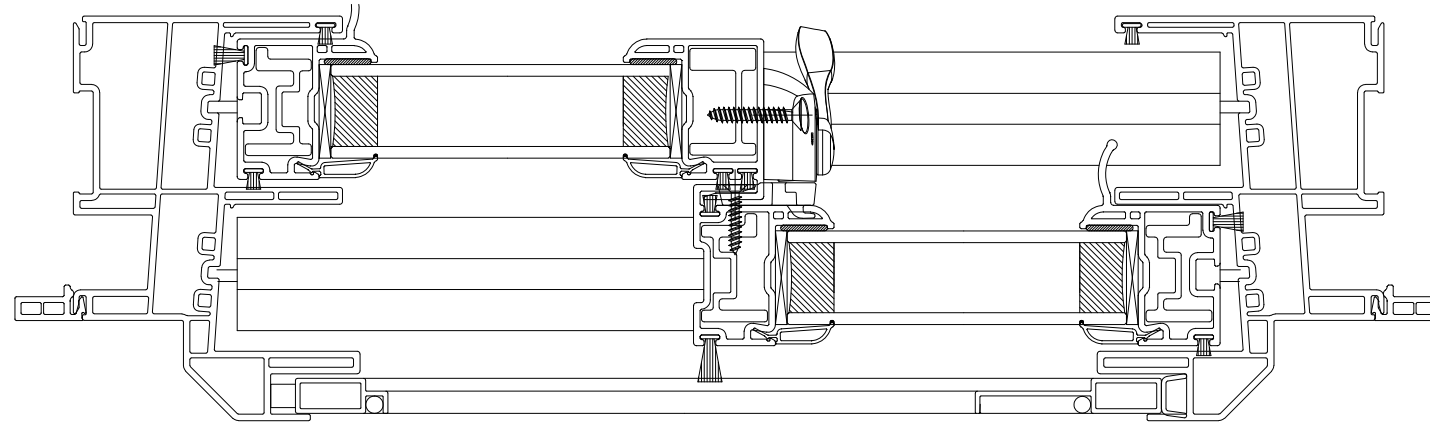


Luis R. Lomas P.E.  
FL No.: 62514

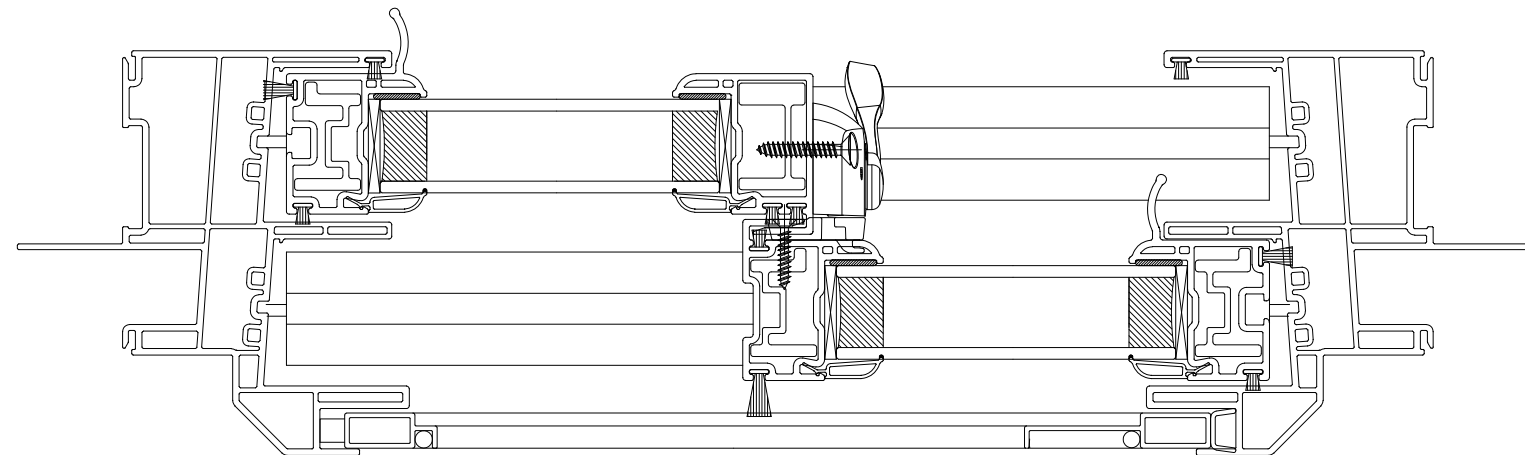
REVISIONS			
REV	DESCRIPTION	DATE	APPROVED



HORIZONTAL CROSS SECTION  
FINLESS INSTALLATION



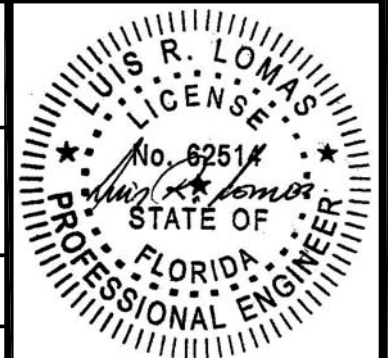
HORIZONTAL CROSS SECTION  
FLANGE INSTALLATION



HORIZONTAL CROSS SECTION  
FIN INSTALLATION

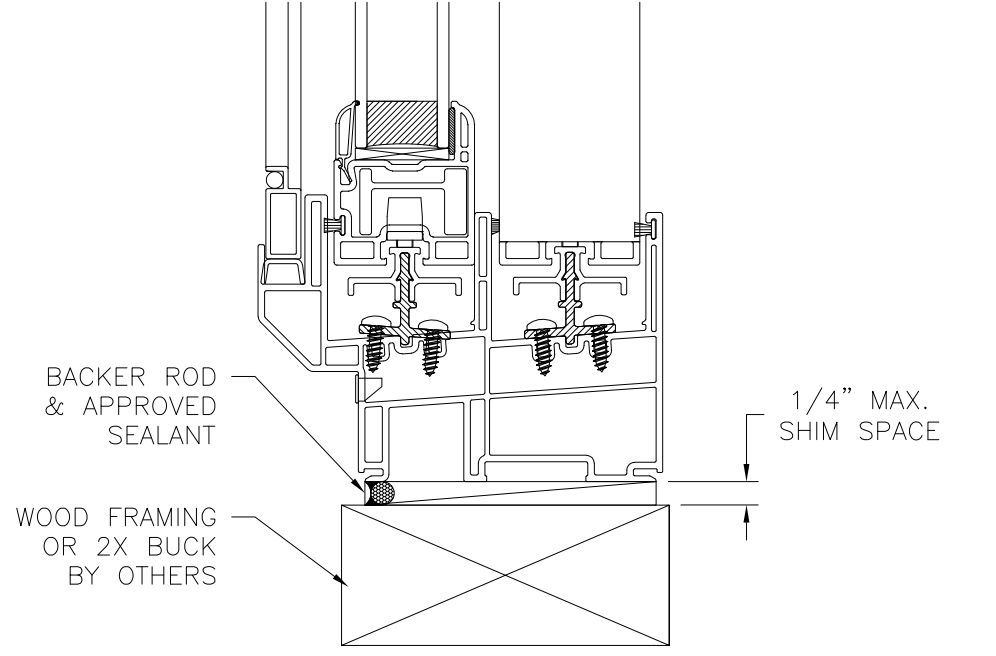
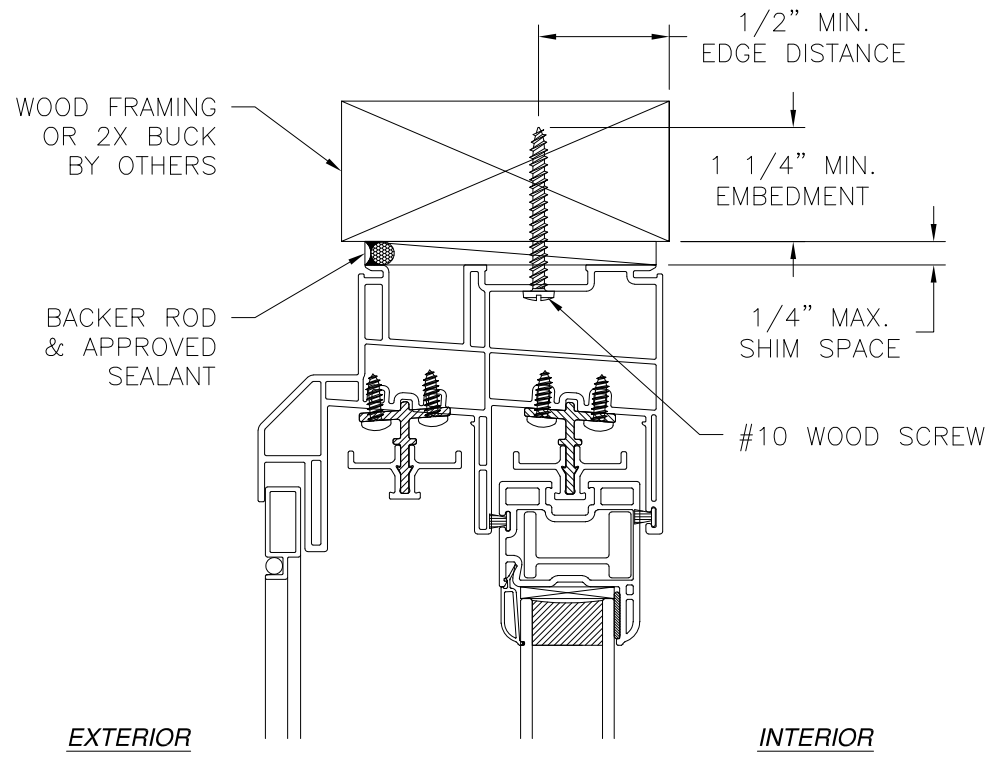
SIGNED: 12/21/2023

		EASTERN ARCHITECTURAL SYSTEMS A DIVISION OF EASTERN METAL SUPPLY 16341 DOMESTIC AVE FORT MYERS, FL 33912 800-432-2204	
SERIES "279.043" VINYL HORIZONTAL SLIDING WINDOW NON-IMPACT HORIZONTAL C.S. & GLAZING DETAIL			
DRAWN: A.R.	DWG NO. 08-03988	REV -	
SCALE NTS	DATE 11/23/2023	SHEET 3 OF 12	
L. ROBERTO LOMAS P.E. 208 7th Ave, INDIALANTIC, FL 32903 434-688-0609 rllomas@lrlomaspe.com			

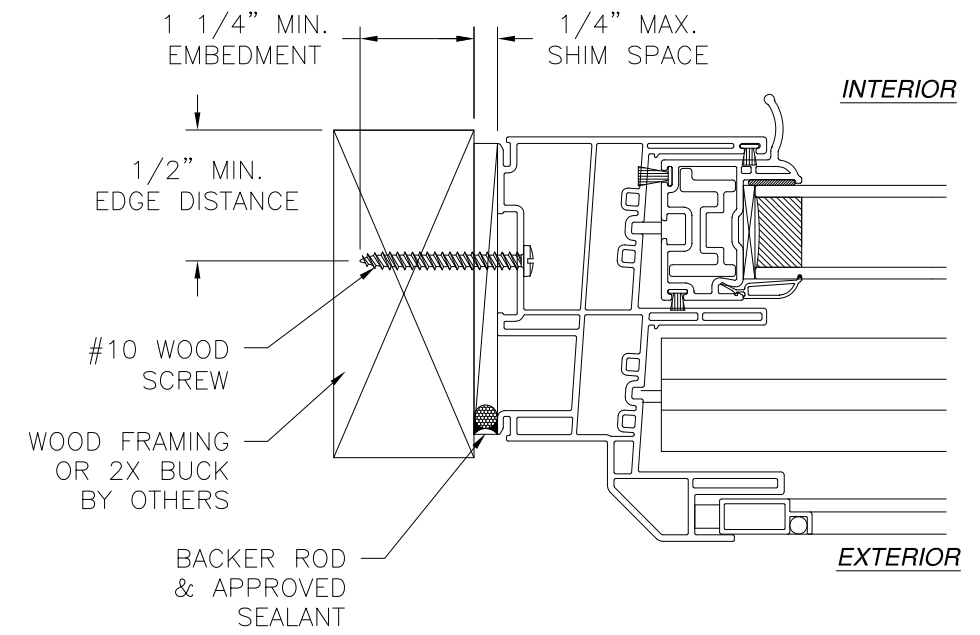


Luis R. Lomas P.E.  
FL No.: 62514

REVISIONS			
REV	DESCRIPTION	DATE	APPROVED



**VERTICAL CROSS SECTION**  
WOOD FRAMING OR 2X BUCK INSTALLATION

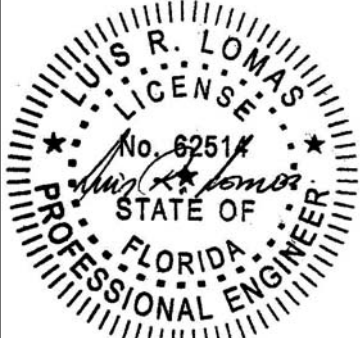


**JAMB INSTALLATION DETAIL**  
WOOD FRAMING OR 2X BUCK INSTALLATION

- NOTES:**
1. INTERIOR AND EXTERIOR FINISHES, BY OTHERS, NOT SHOWN FOR CLARITY.
  2. PERIMETER AND JOINT SEALANT BY OTHERS TO BE DESIGNED IN ACCORDANCE WITH ASTM E2112

SIGNED: 12/21/2023

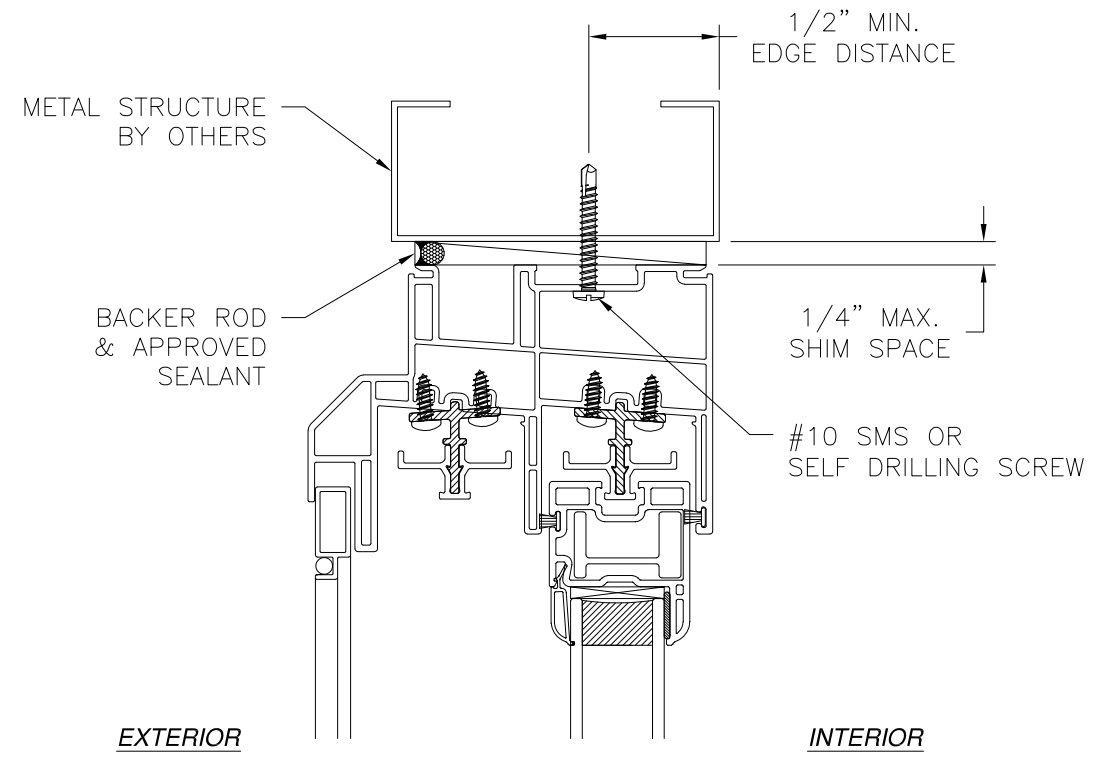
		EASTERN ARCHITECTURAL SYSTEMS A DIVISION OF EASTERN METAL SUPPLY 16341 DOMESTIC AVE FORT MYERS, FL 33912 800-432-2204	
SERIES "279.043" VINYL HORIZONTAL SLIDING WINDOW NON-IMPACT FINLESS INSTALLATION DETAILS			
DRAWN: A.R.	DWG NO. 08-03988	REV -	
SCALE NTS	DATE 11/23/2023	SHEET 4 OF 12	
L. ROBERTO LOMAS P.E. 208 7th Ave, INDIALANTIC, FL 32903 434-688-0609 rllomas@rlomaspe.com			



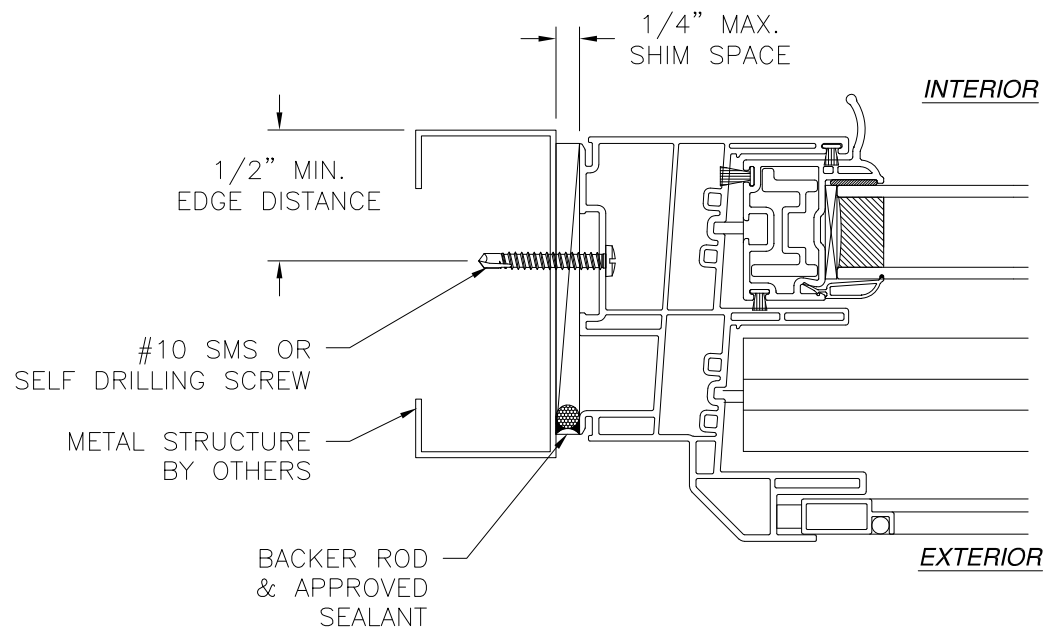
Luis R. Lomas P.E.  
FL No.: 62514



REVISIONS			
REV	DESCRIPTION	DATE	APPROVED



**VERTICAL CROSS SECTION**  
METAL STRUCTURE INSTALLATION

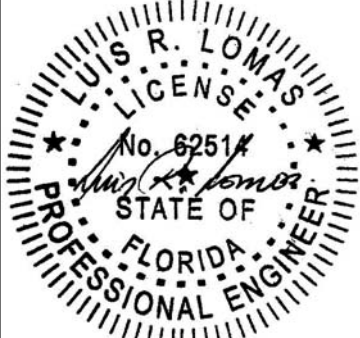


**JAMB INSTALLATION DETAIL**  
METAL STRUCTURE INSTALLATION

- NOTES:**
1. INTERIOR AND EXTERIOR FINISHES, BY OTHERS, NOT SHOWN FOR CLARITY.
  2. PERIMETER AND JOINT SEALANT BY OTHERS TO BE DESIGNED IN ACCORDANCE WITH ASTM E2112

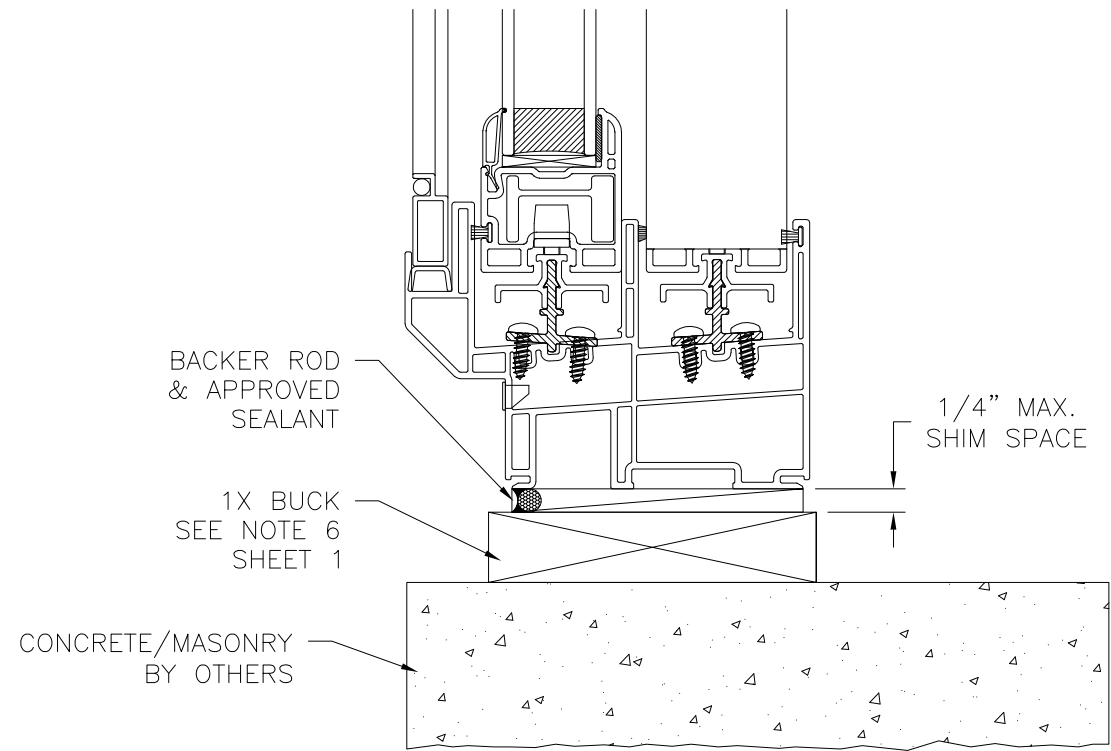
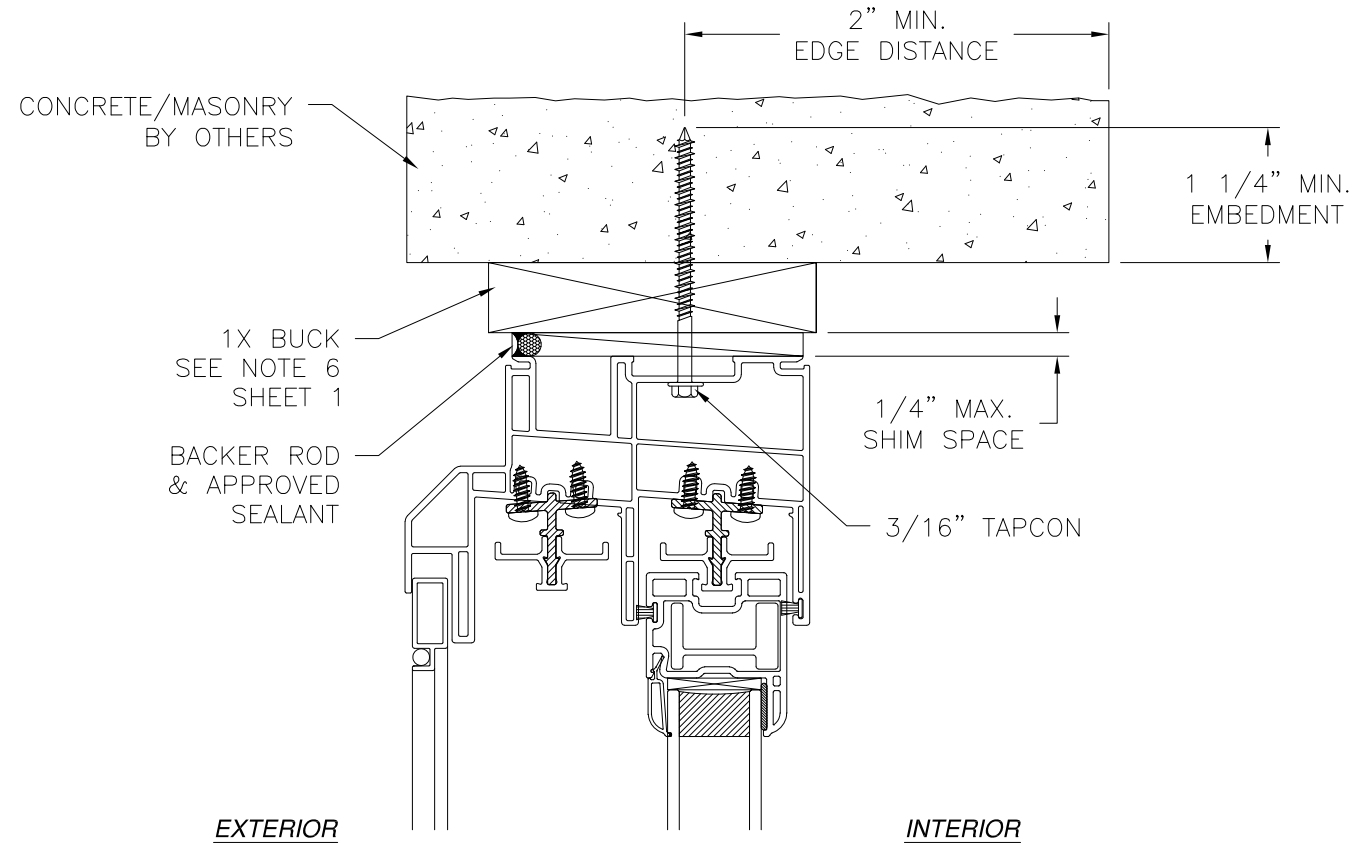
SIGNED: 12/21/2023

		EASTERN ARCHITECTURAL SYSTEMS A DIVISION OF EASTERN METAL SUPPLY 16341 DOMESTIC AVE FORT MYERS, FL 33912 800-432-2204
SERIES "279.043" VINYL HORIZONTAL SLIDING WINDOW NON-IMPACT FINLESS INSTALLATION DETAILS		
DRAWN: A.R.	DWG NO. 08-03988	REV -
SCALE NTS	DATE 11/23/2023	SHEET 5 OF 12
L. ROBERTO LOMAS P.E. 208 7th Ave, INDIALANTIC, FL 32903 434-688-0609 rllomas@rlomaspe.com		

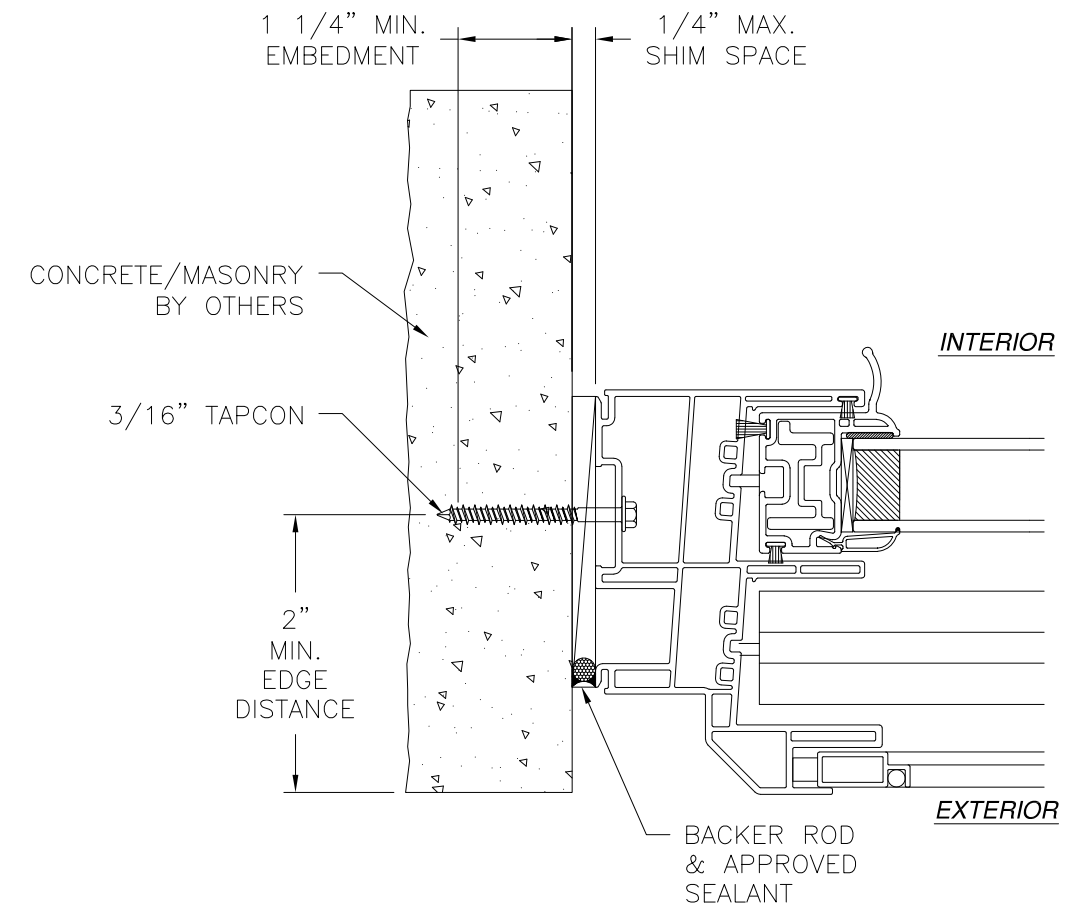


Luis R. Lomas P.E.  
FL No.: 62514

REVISIONS			
REV	DESCRIPTION	DATE	APPROVED



**VERTICAL CROSS SECTION**  
 CONCRETE/MASONRY WITH 1X BUCK INSTALLATION  
 FOR CONCRETE/MASONRY WITHOUT 1X BUCK REFER TO  
 JAMB INSTALLATION DETAIL

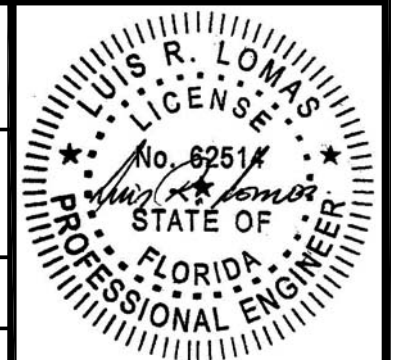


**JAMB INSTALLATION DETAIL**  
 CONCRETE/MASONRY WITHOUT 1X BUCK INSTALLATION  
 FOR CONCRETE/MASONRY WITH 1X BUCK REFER TO  
 HEAD AND SILL INSTALLATION DETAILS

- NOTES:**
- INTERIOR AND EXTERIOR FINISHES, BY OTHERS, NOT SHOWN FOR CLARITY.
  - PERIMETER AND JOINT SEALANT BY OTHERS TO BE DESIGNED IN ACCORDANCE WITH ASTM E2112

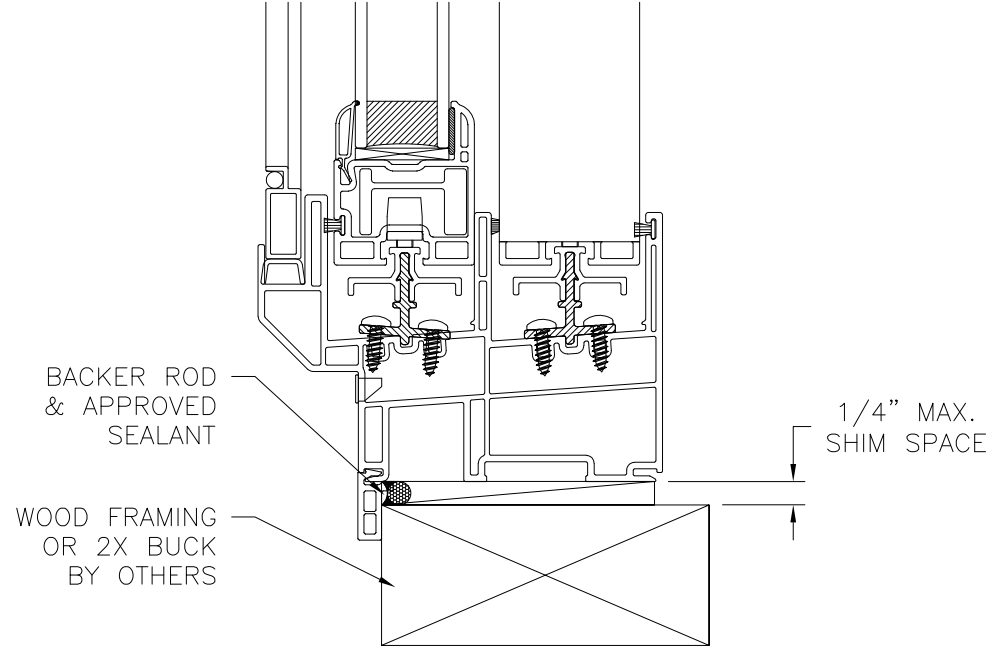
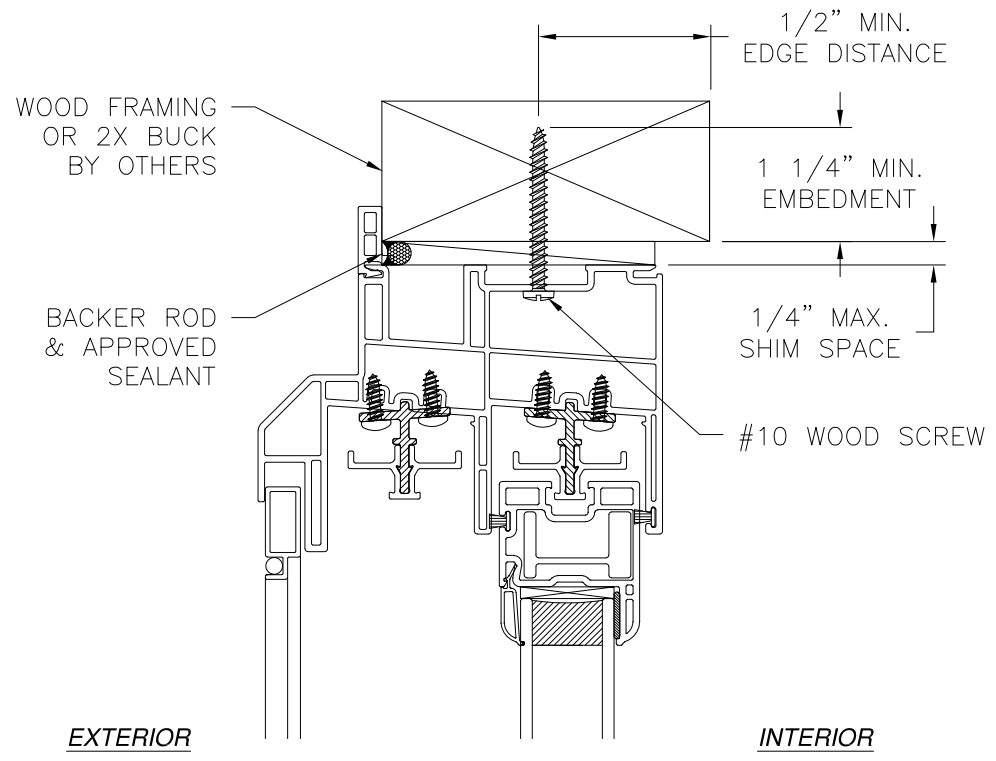
SIGNED: 12/21/2023

			EASTERN ARCHITECTURAL SYSTEMS A DIVISION OF EASTERN METAL SUPPLY 16341 DOMESTIC AVE FORT MYERS, FL 33912 800-432-2204
SERIES "279.043" VINYL HORIZONTAL SLIDING WINDOW NON-IMPACT FINLESS INSTALLATION DETAILS			
DRAWN: A.R.	DWG NO. 08-03988	REV -	
SCALE NTS	DATE 11/23/2023	SHEET 6 OF 12	
L. ROBERTO LOMAS P.E. 208 7th Ave, INDIALANTIC, FL 32903 434-688-0609 rllomas@rlomaspe.com			

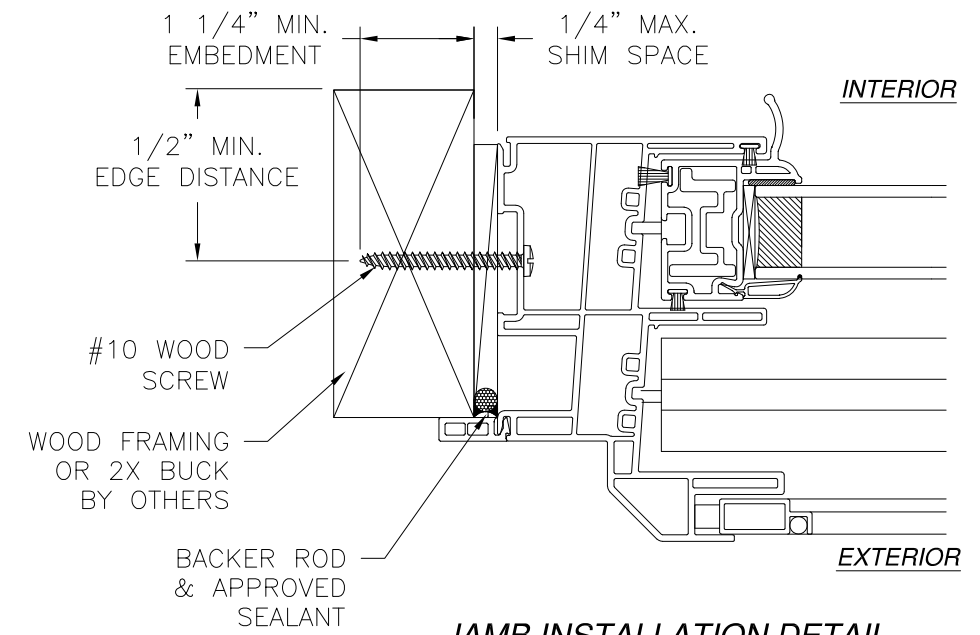


Luis R. Lomas P.E.  
 FL No.: 62514

REVISIONS			
REV	DESCRIPTION	DATE	APPROVED



**VERTICAL CROSS SECTION**  
WOOD FRAMING OR 2X BUCK INSTALLATION

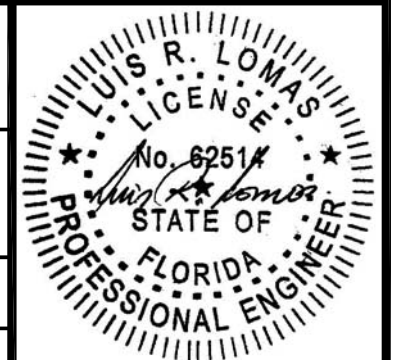


**JAMB INSTALLATION DETAIL**  
WOOD FRAMING OR 2X BUCK INSTALLATION

- NOTES:**
1. INTERIOR AND EXTERIOR FINISHES, BY OTHERS, NOT SHOWN FOR CLARITY.
  2. PERIMETER AND JOINT SEALANT BY OTHERS TO BE DESIGNED IN ACCORDANCE WITH ASTM E2112

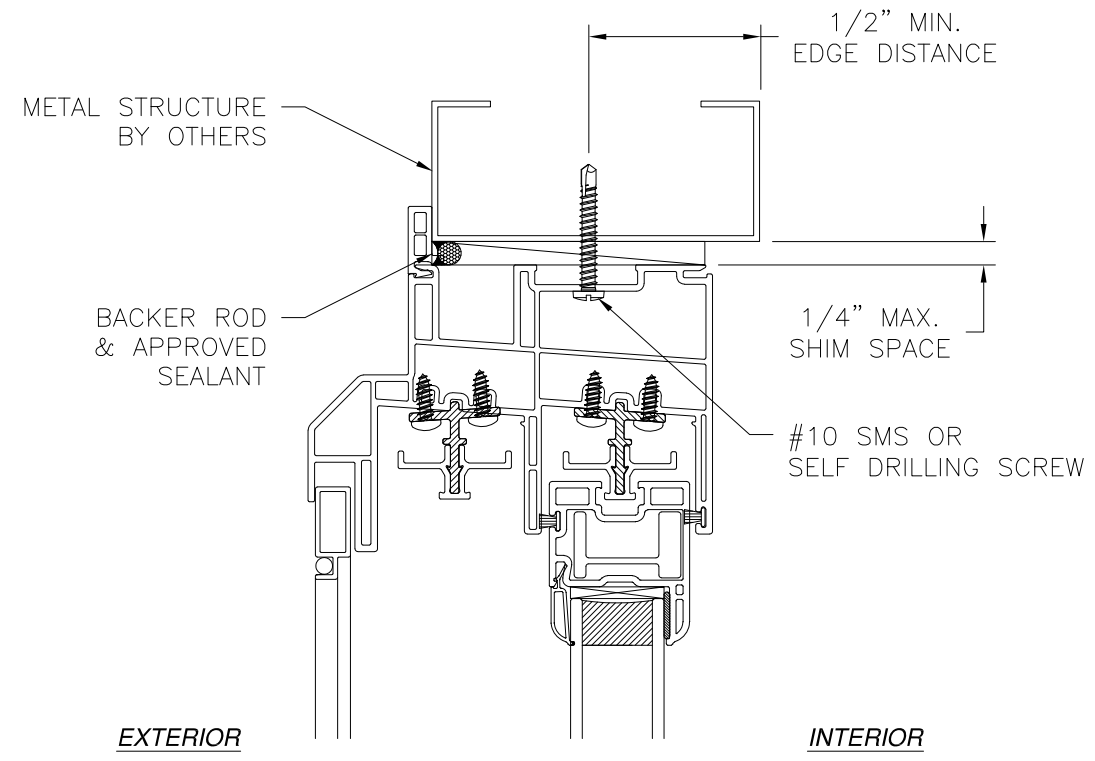
SIGNED: 12/21/2023

		EASTERN ARCHITECTURAL SYSTEMS A DIVISION OF EASTERN METAL SUPPLY 16341 DOMESTIC AVE FORT MYERS, FL 33912 800-432-2204	
SERIES "279.043" VINYL HORIZONTAL SLIDING WINDOW NON-IMPACT FLANGE INSTALLATION DETAILS			
DRAWN: A.R.	DWG NO. 08-03988	REV -	
SCALE NTS	DATE 11/23/2023	SHEET 7 OF 12	
L. ROBERTO LOMAS P.E. 208 7th Ave, INDIALANTIC, FL 32903 434-688-0609 rllomas@rlomaspe.com			

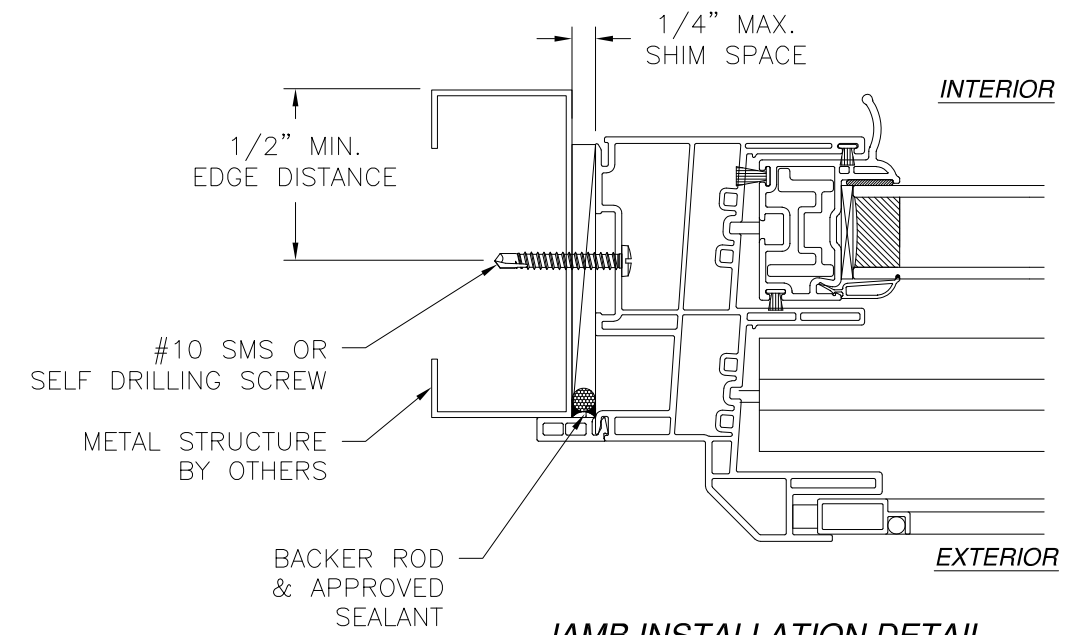


Luis R. Lomas P.E.  
FL No.: 62514

REVISIONS			
REV	DESCRIPTION	DATE	APPROVED



**VERTICAL CROSS SECTION**  
METAL STRUCTURE INSTALLATION

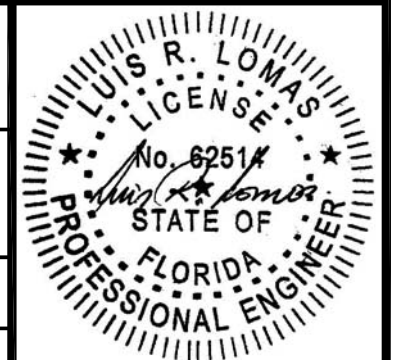


**JAMB INSTALLATION DETAIL**  
METAL STRUCTURE INSTALLATION

- NOTES:**
1. INTERIOR AND EXTERIOR FINISHES, BY OTHERS, NOT SHOWN FOR CLARITY.
  2. PERIMETER AND JOINT SEALANT BY OTHERS TO BE DESIGNED IN ACCORDANCE WITH ASTM E2112

SIGNED: 12/21/2023

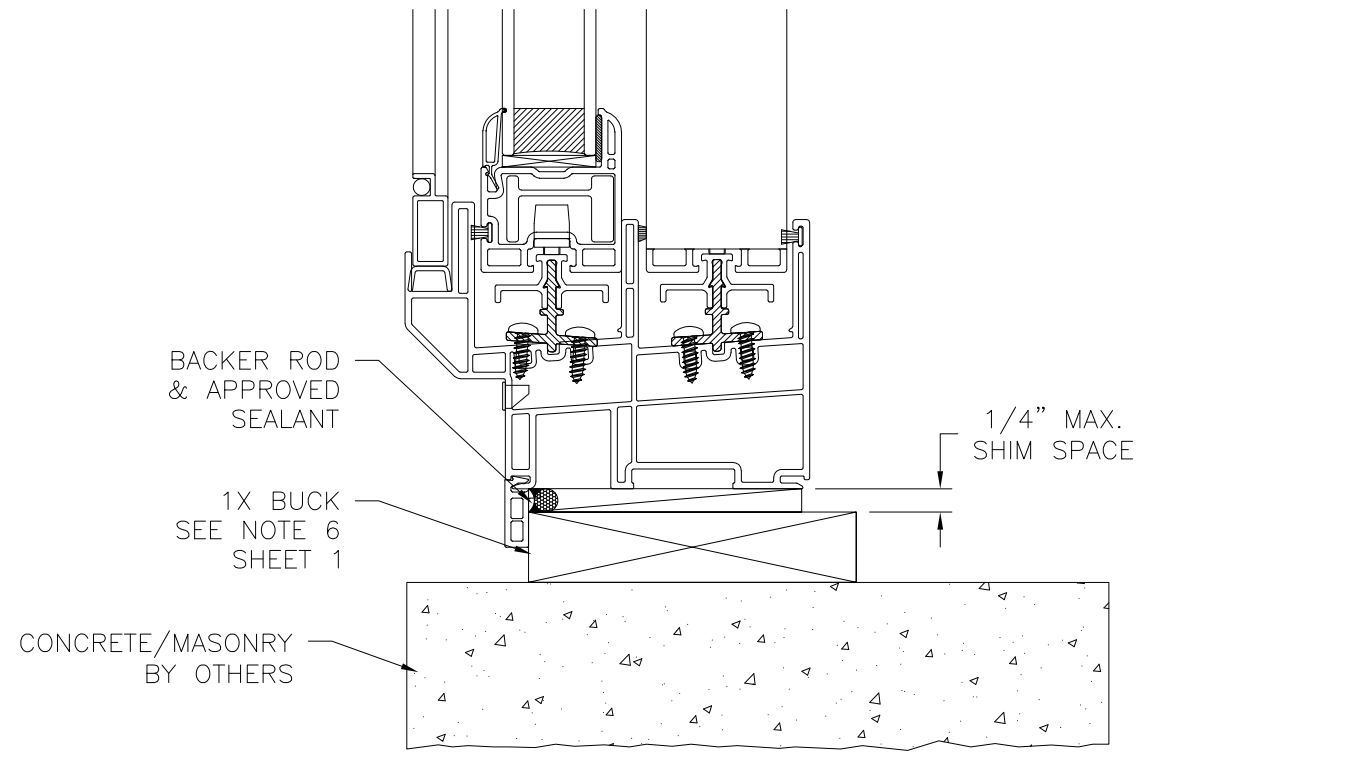
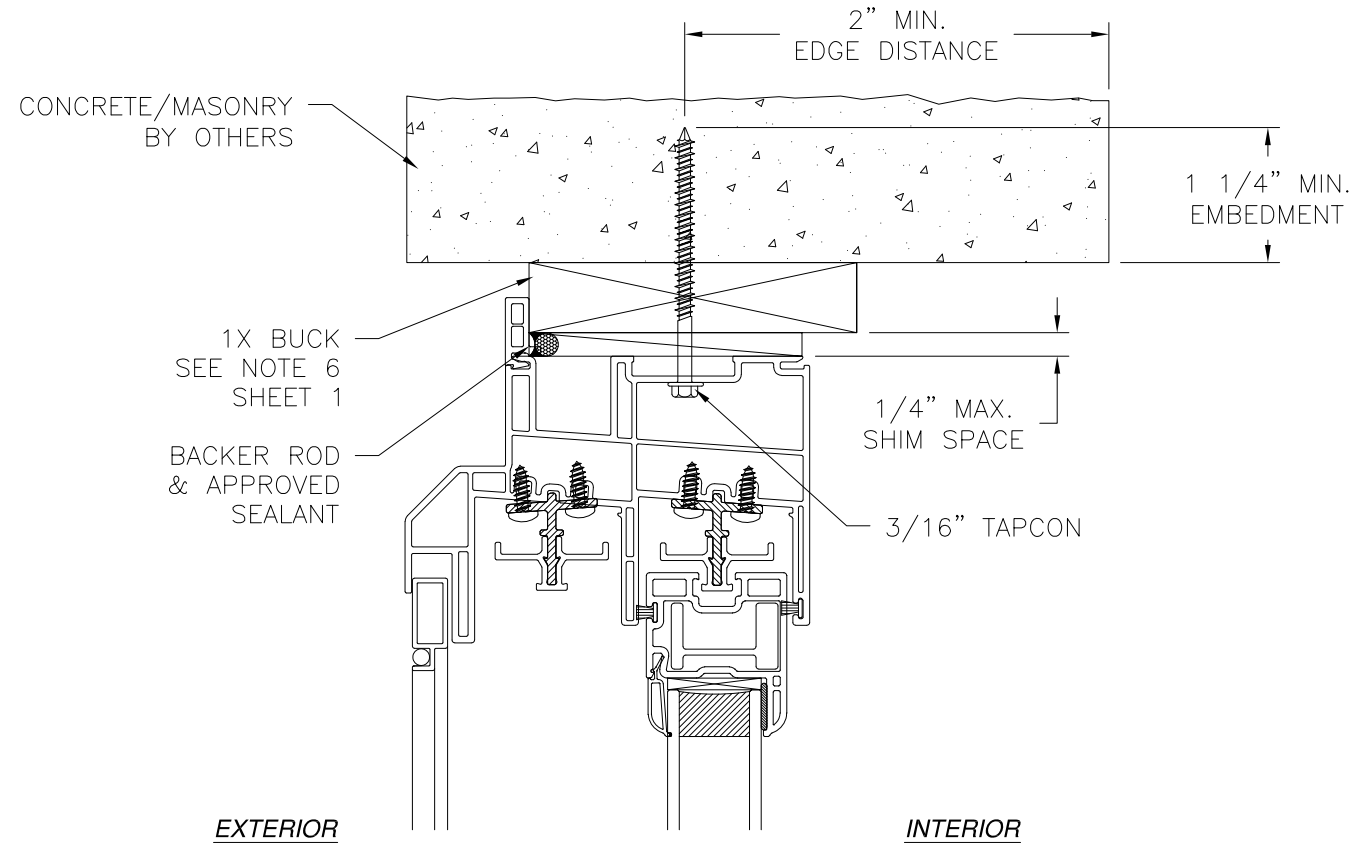
		EASTERN ARCHITECTURAL SYSTEMS A DIVISION OF EASTERN METAL SUPPLY 16341 DOMESTIC AVE FORT MYERS, FL 33912 800-432-2204	
SERIES "279.043" VINYL HORIZONTAL SLIDING WINDOW NON-IMPACT FLANGE INSTALLATION DETAILS			
DRAWN: A.R.	DWG NO. 08-03988	REV -	
SCALE NTS	DATE 11/23/2023	SHEET 8 OF 12	
L. ROBERTO LOMAS P.E. 208 7th Ave, INDIALANTIC, FL 32903 434-688-0609 rllomas@rlomaspe.com			



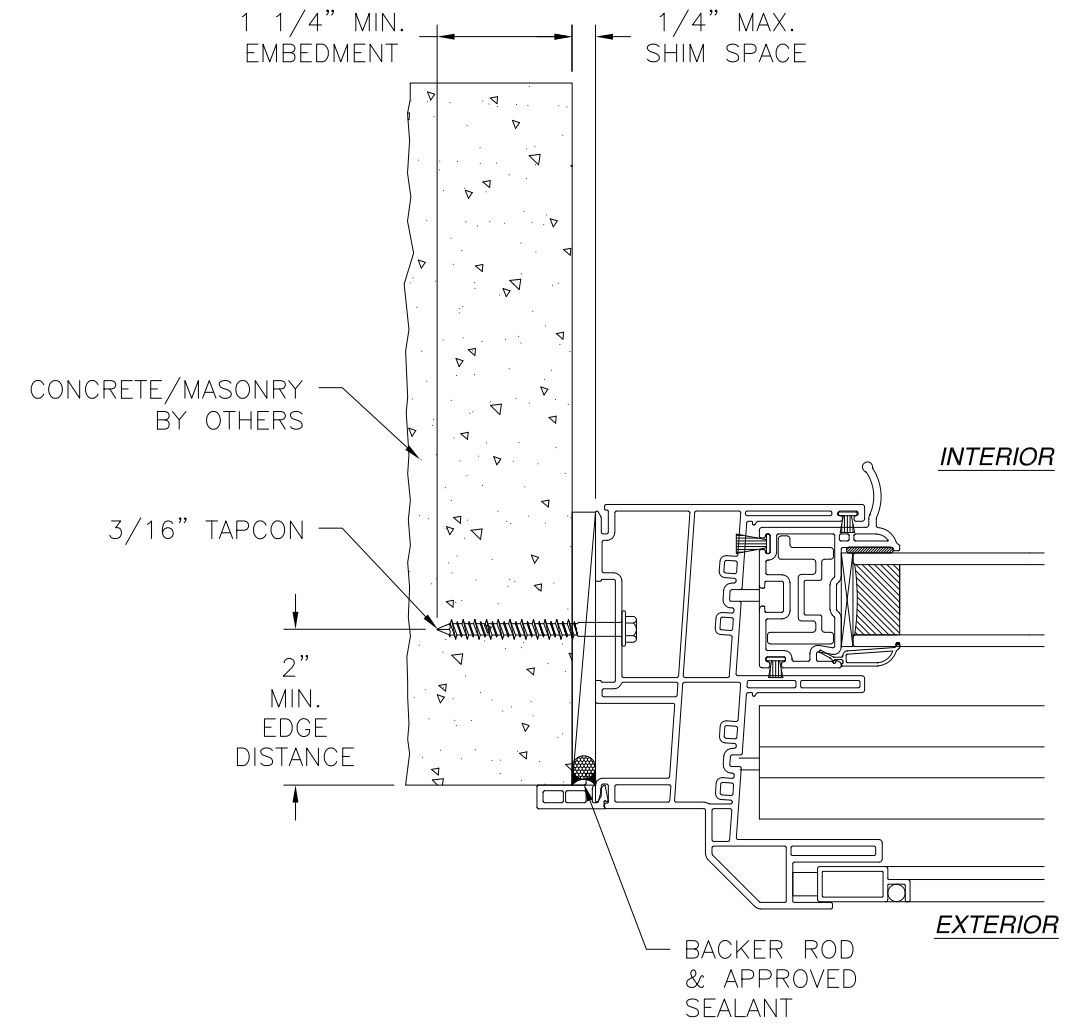
Luis R. Lomas P.E.  
FL No.: 62514



REVISIONS			
REV	DESCRIPTION	DATE	APPROVED



**VERTICAL CROSS SECTION**  
 CONCRETE/MASONRY WITH 1X BUCK INSTALLATION  
 FOR CONCRETE/MASONRY WITHOUT 1X BUCK REFER TO  
 JAMB INSTALLATION DETAIL

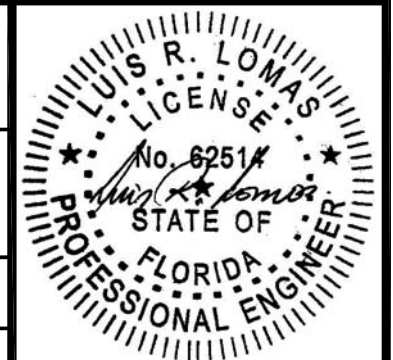


**JAMB INSTALLATION DETAIL**  
 CONCRETE/MASONRY WITHOUT 1X BUCK INSTALLATION  
 FOR CONCRETE/MASONRY INSTALLATION WITH 1X BUCK REFER TO  
 HEAD AND SILL INSTALLATION DETAILS

- NOTES:**
1. INTERIOR AND EXTERIOR FINISHES, BY OTHERS, NOT SHOWN FOR CLARITY.
  2. PERIMETER AND JOINT SEALANT BY OTHERS TO BE DESIGNED IN ACCORDANCE WITH ASTM E2112

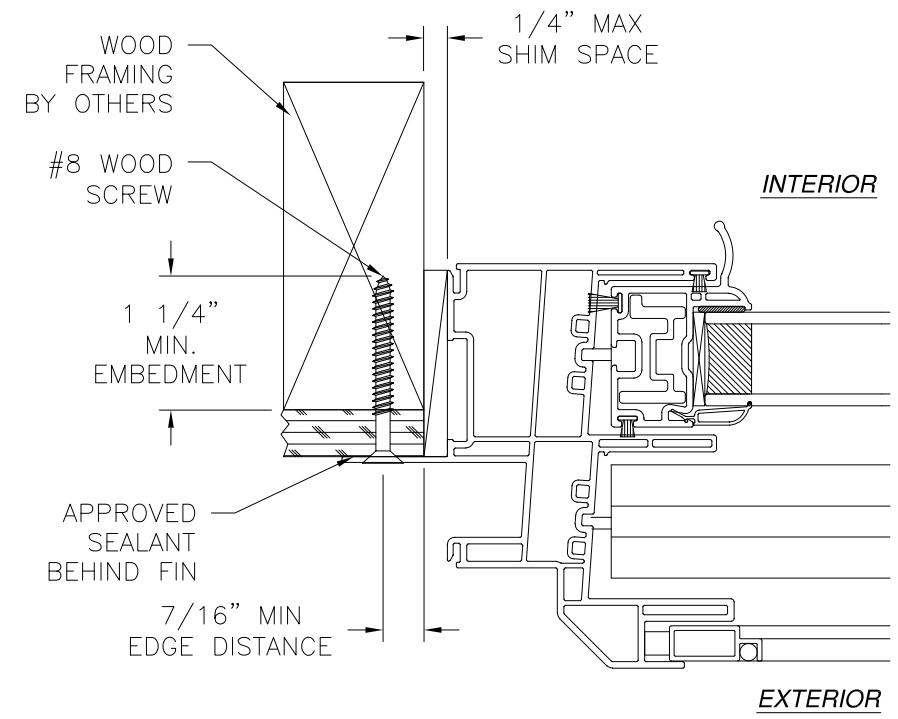
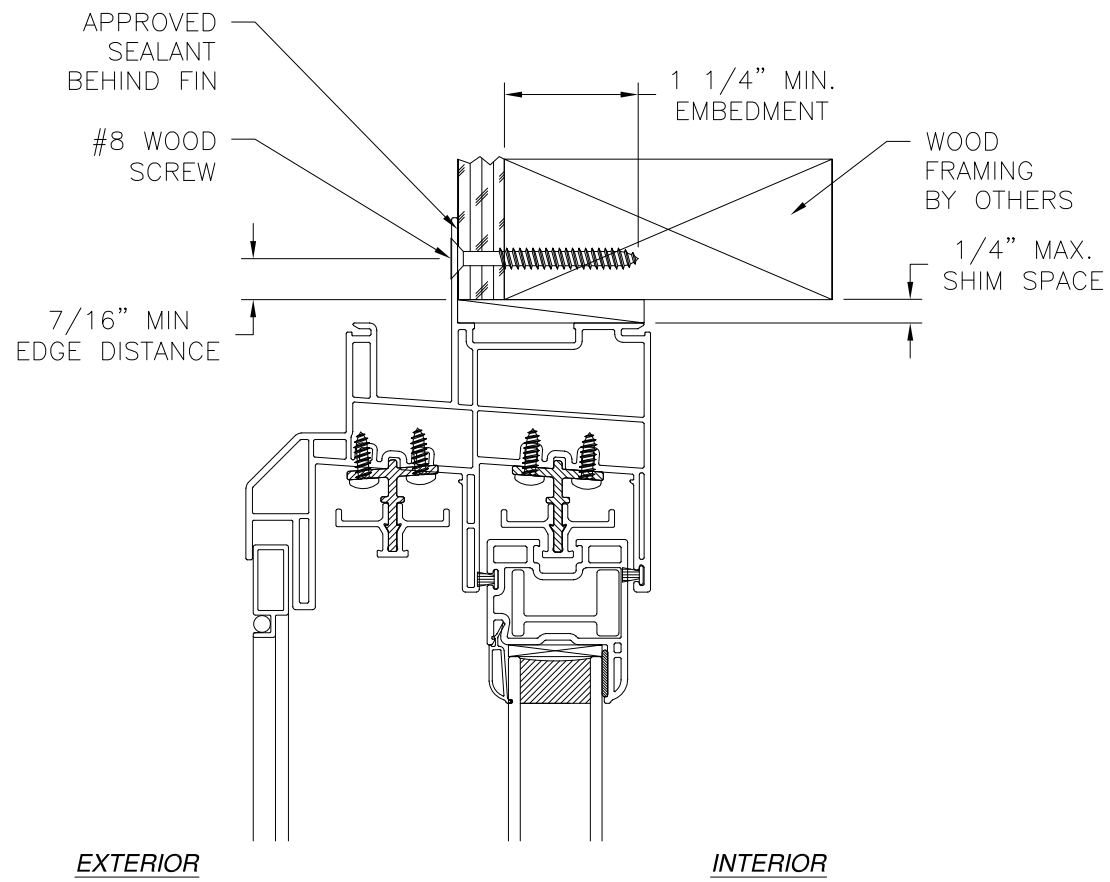
SIGNED: 12/21/2023

		EASTERN ARCHITECTURAL SYSTEMS A DIVISION OF EASTERN METAL SUPPLY 16341 DOMESTIC AVE FORT MYERS, FL 33912 800-432-2204
SERIES "279.043" VINYL HORIZONTAL SLIDING WINDOW NON-IMPACT FLANGE INSTALLATION DETAILS		
DRAWN: A.R.	DWG NO. 08-03988	REV -
SCALE NTS	DATE 11/23/2023	SHEET 9 OF 12
L. ROBERTO LOMAS P.E. 208 7th Ave, INDIALANTIC, FL 32903 434-688-0609 rllomas@rlomaspe.com		



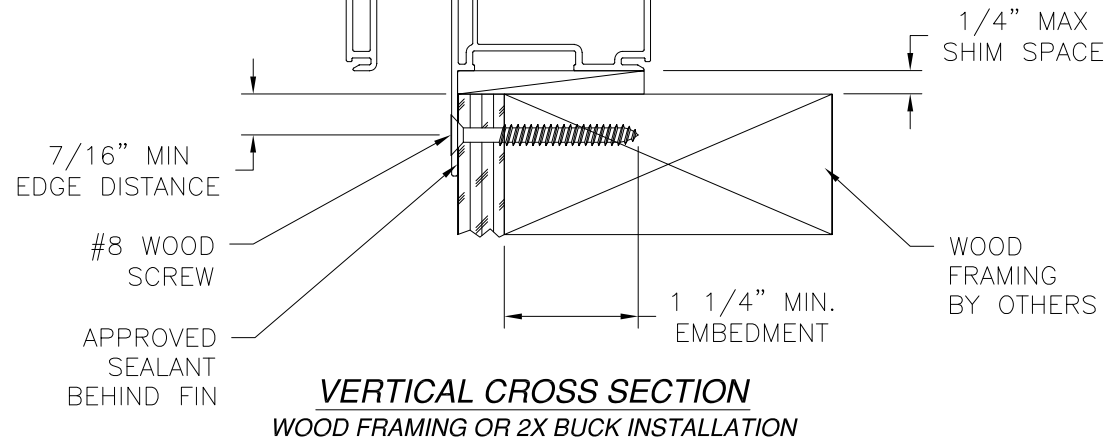
Luis R. Lomas P.E.  
 FL No.: 62514

REVISIONS			
REV	DESCRIPTION	DATE	APPROVED



**JAMB INSTALLATION DETAIL**  
WOOD FRAMING OR 2X BUCK INSTALLATION

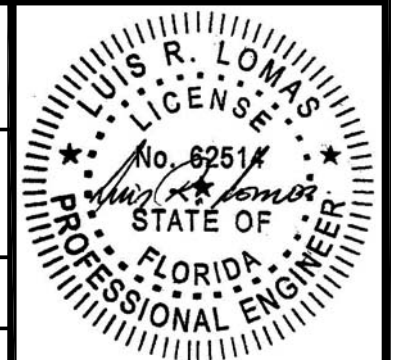
- NOTES:**
1. INTERIOR AND EXTERIOR FINISHES, BY OTHERS, NOT SHOWN FOR CLARITY.
  2. PERIMETER AND JOINT SEALANT BY OTHERS TO BE DESIGNED IN ACCORDANCE WITH ASTM E2112



**VERTICAL CROSS SECTION**  
WOOD FRAMING OR 2X BUCK INSTALLATION

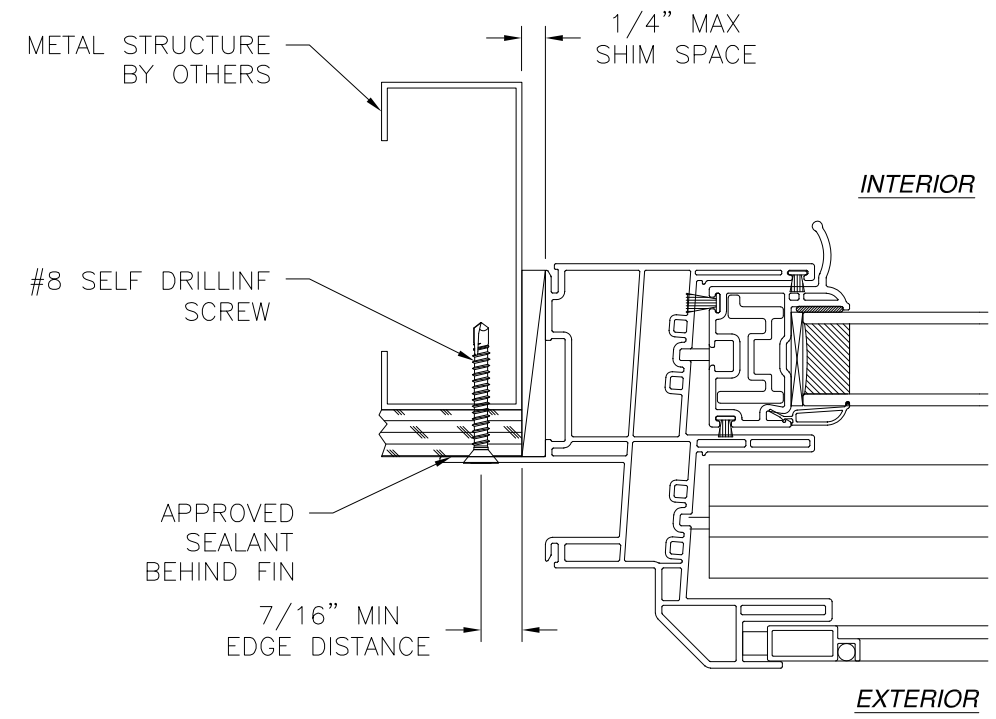
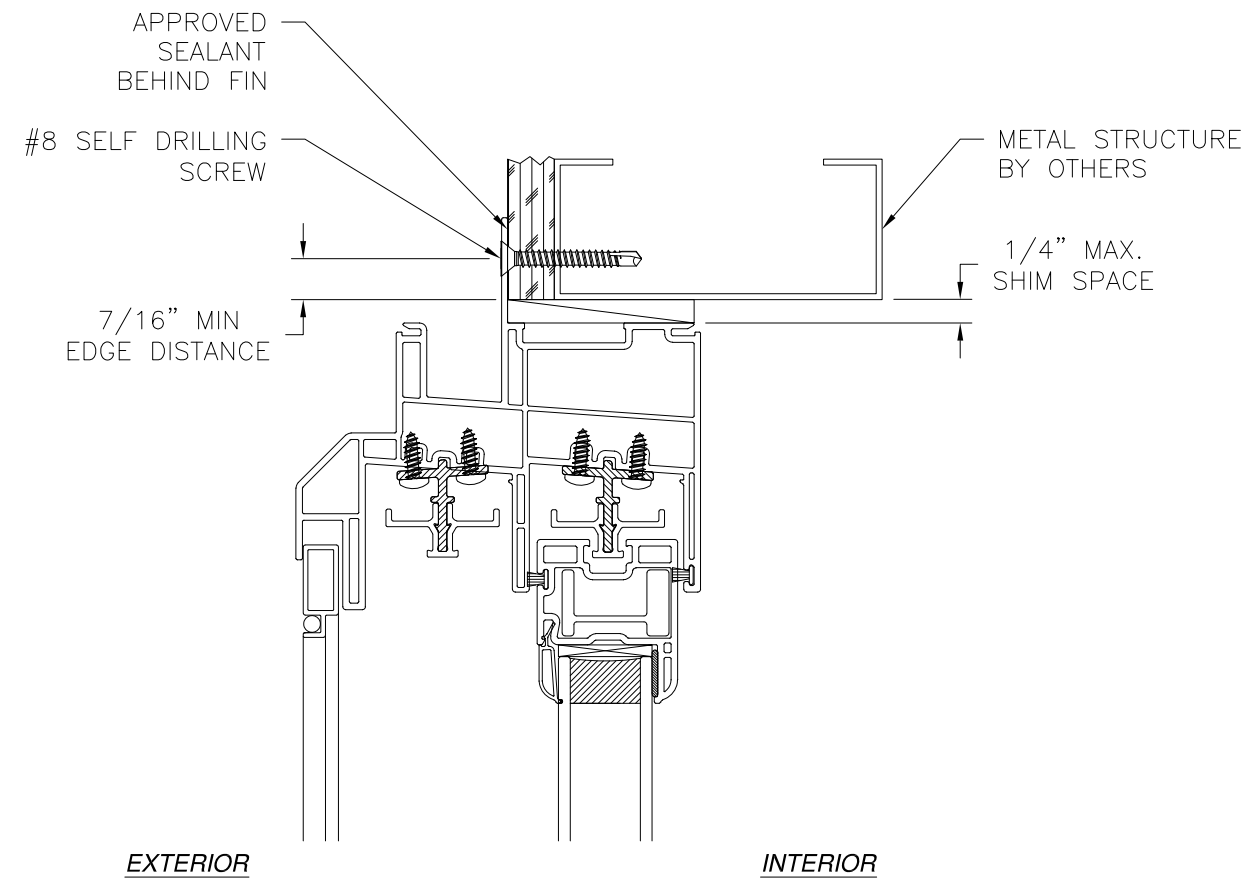
SIGNED: 12/21/2023

		EASTERN ARCHITECTURAL SYSTEMS A DIVISION OF EASTERN METAL SUPPLY 16341 DOMESTIC AVE FORT MYERS, FL 33912 800-432-2204	
SERIES "279.043" VINYL HORIZONTAL SLIDING WINDOW NON-IMPACT FIN INSTALLATION DETAILS			
DRAWN: A.R.	DWG NO. 08-03988	REV -	
SCALE NTS	DATE 11/23/2023	SHEET 10 OF 12	
L. ROBERTO LOMAS P.E. 208 7th Ave, INDIALANTIC, FL 32903 434-688-0609 rllomas@rlomaspe.com			

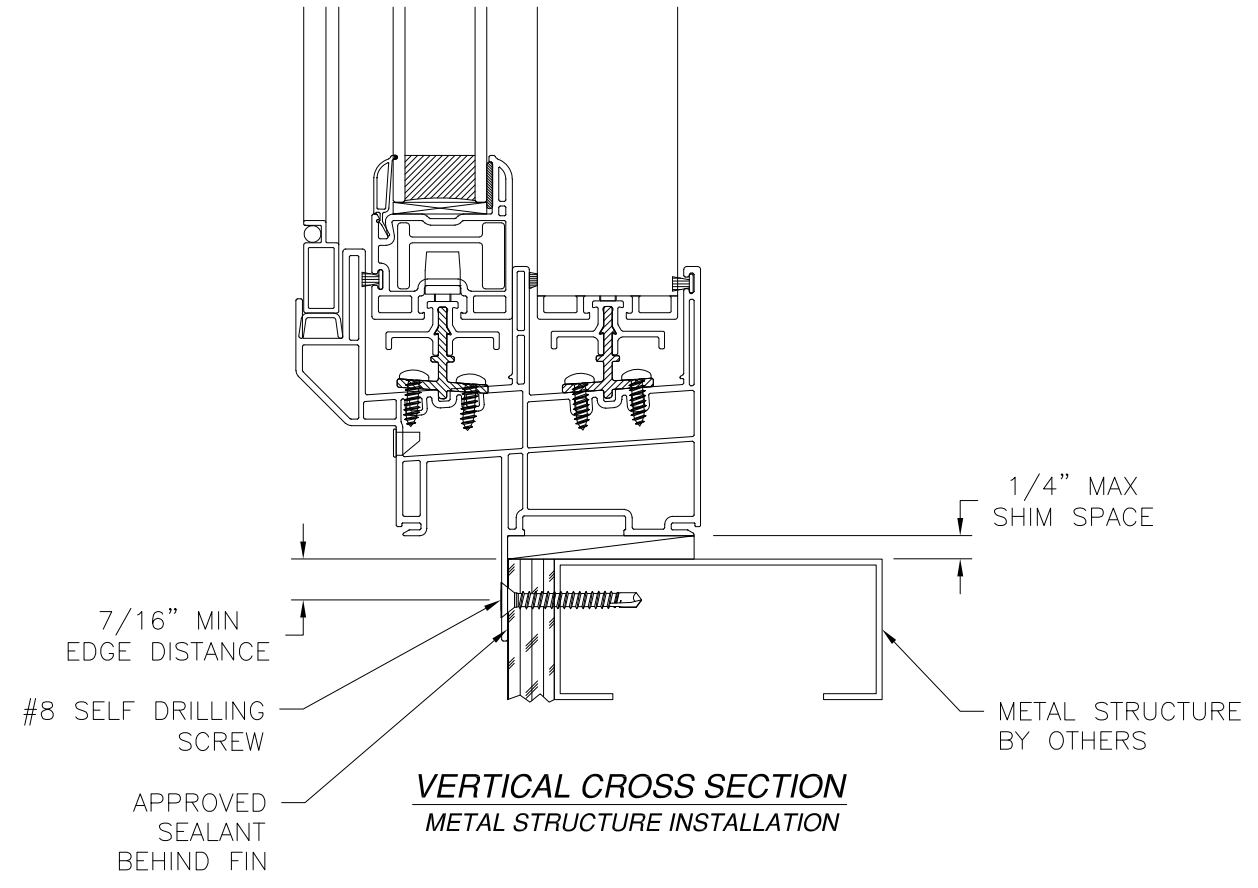


Luis R. Lomas P.E.  
FL No.: 62514

REVISIONS			
REV	DESCRIPTION	DATE	APPROVED



**JAMB INSTALLATION DETAIL**  
METAL STRUCTURE INSTALLATION



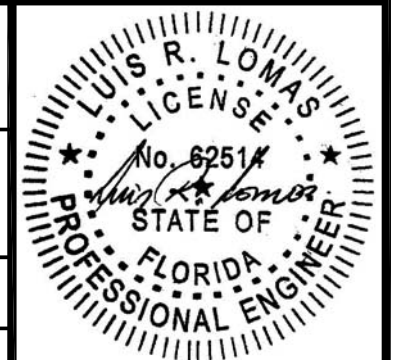
**VERTICAL CROSS SECTION**  
METAL STRUCTURE INSTALLATION

**NOTES:**

1. INTERIOR AND EXTERIOR FINISHES, BY OTHERS, NOT SHOWN FOR CLARITY.
2. PERIMETER AND JOINT SEALANT BY OTHERS TO BE DESIGNED IN ACCORDANCE WITH ASTM E2112

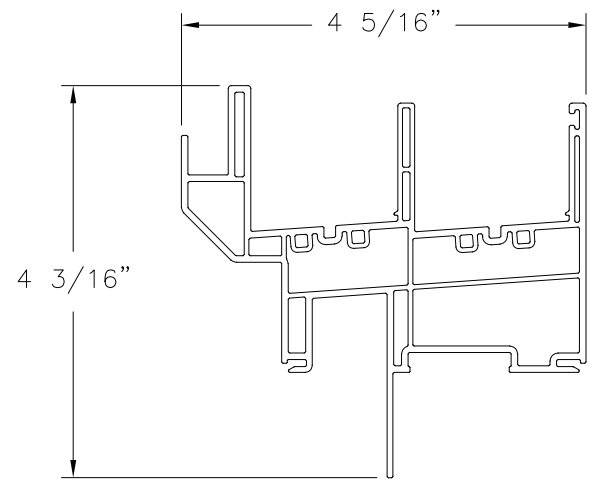
SIGNED: 12/21/2023

		EASTERN ARCHITECTURAL SYSTEMS A DIVISION OF EASTERN METAL SUPPLY 16341 DOMESTIC AVE FORT MYERS, FL 33912 800-432-2204	
SERIES "279.043" VINYL HORIZONTAL SLIDING WINDOW NON-IMPACT FIN INSTALLATION DETAILS			
DRAWN: A.R.	DWG NO. 08-03988	REV -	
SCALE NTS	DATE 11/23/2023	SHEET 11 OF 12	
L. ROBERTO LOMAS P.E. 208 7th Ave, INDIALANTIC, FL 32903 434-688-0609 rllomas@rlomaspe.com			

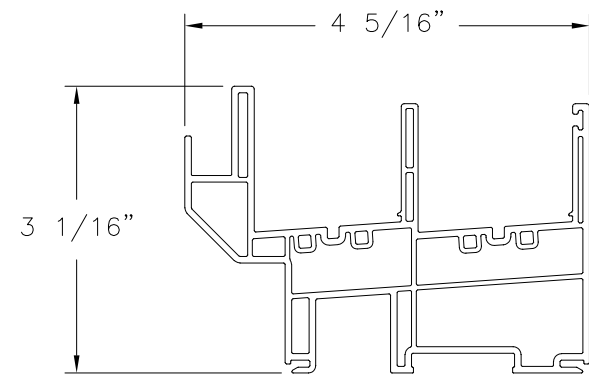


Luis R. Lomas P.E.  
FL No.: 62514

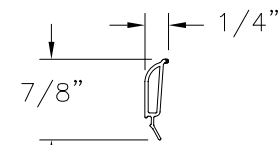
REVISIONS			
REV	DESCRIPTION	DATE	APPROVED



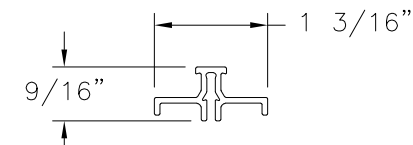
**MAIN FRAME  
FIN INSTALLATION (10005153)**  
EXTRUDED PVC



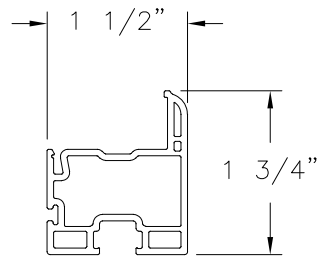
**MAIN FRAME  
FINLESS INSTALLATION (10005153)**  
EXTRUDED PVC



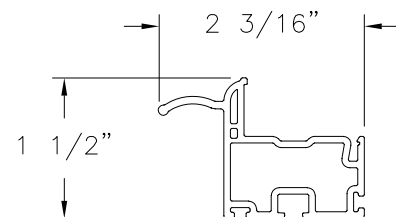
**GLAZING BEAD (10005464)**  
EXTRUDED PVC



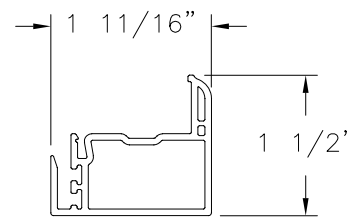
**HEAD/SILL  
TRACK INSERT COVER (10008469)**  
EXTRUDED PVC



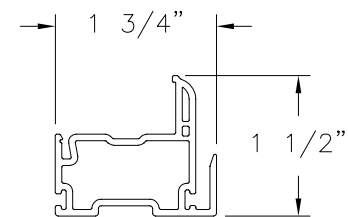
**MAIN SASH (10005539)**  
EXTRUDED PVC



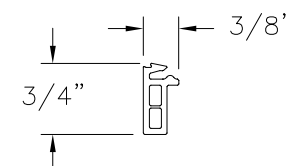
**PULL/LIFT SASH (10005541)**  
EXTRUDED PVC



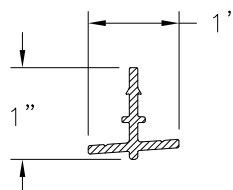
**LOCK RAIL (10005542)**  
EXTRUDED PVC



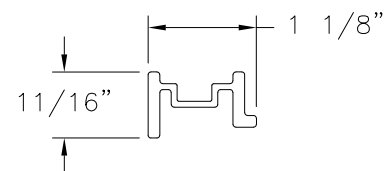
**KEEPER RAIL (10005543)**  
EXTRUDED PVC



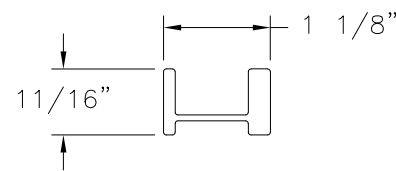
**FLANGE (10004714)**  
EXTRUDED PVC



**SLIDER TRACK INSERT (10300127)**  
6005-T5 ALUMINUM



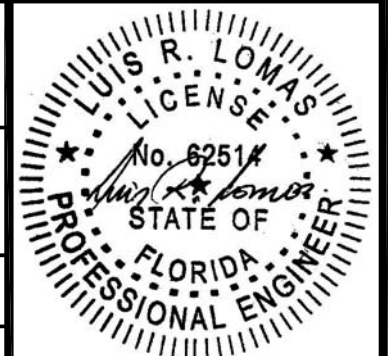
**KEEPER RAIL  
REINFORCEMENT (10300159)**  
6005-T5 ALUMINUM



**LOCK STILE / BOTTOM RAIL  
REINFORCEMENT (10300266)**  
6005-T5 ALUMINUM

			EASTERN ARCHITECTURAL SYSTEMS A DIVISION OF EASTERN METAL SUPPLY 16341 DOMESTIC AVE FORT MYERS, FL 33912 800-432-2204		
SERIES "279.043" VINYL HORIZONTAL SLIDING WINDOW NON-IMPACT COMPONENTS					
DRAWN: A.R.		DWG NO. 08-03988		REV -	
SCALE NTS		DATE 11/23/2023		SHEET 12 OF 12	
L. ROBERTO LOMAS P.E. 208 7th Ave, INDIALANTIC, FL 32903 434-688-0609 rllomas@rlomaspe.com					

SIGNED: 12/21/2023



Luis R. Lomas P.E.  
FL No.: 62514