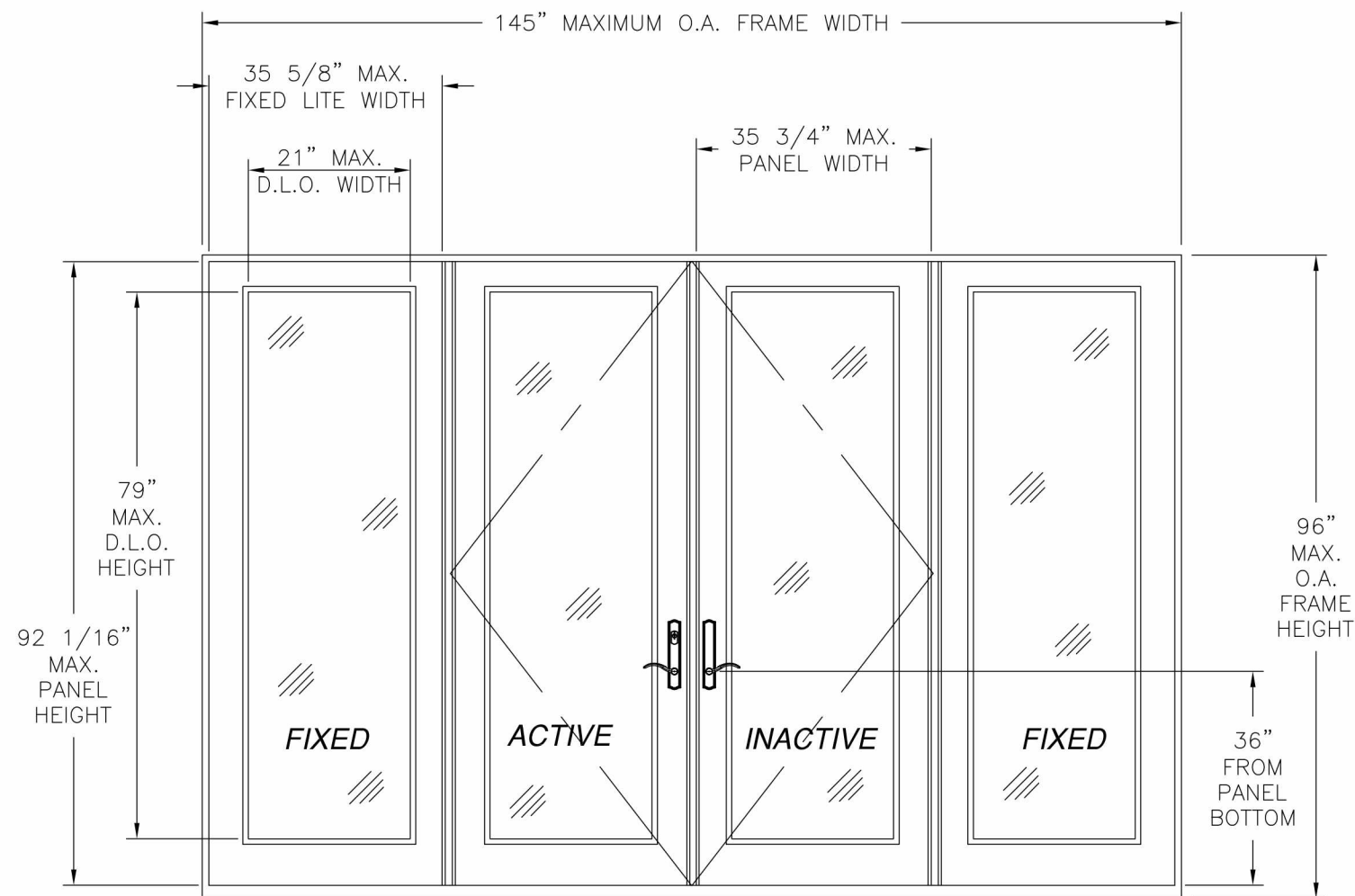


REVISIONS			
REV	DESCRIPTION	DATE	APPROVED
A	REVISED NOTES & GLAZING DETAIL	3/12/12	R.L.
B	ADDED EDGE DISTANCES	11/05/14	R.L.
C	REVISED SIDELITES INSTALLATION DETAILS	06/01/15	R.L.



**SERIES DISTINCTION IN-SWING FIBERGLASS CLAD ENTRY
DOUBLE DOOR W/ SIDELITES
EXTERIOR VIEW**

DESIGN PRESSURE RATING	IMPACT RATING
±30.0PSF	NONE

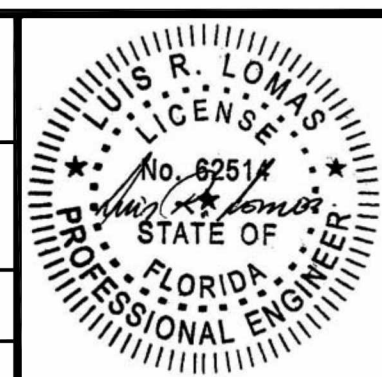
NOTES:

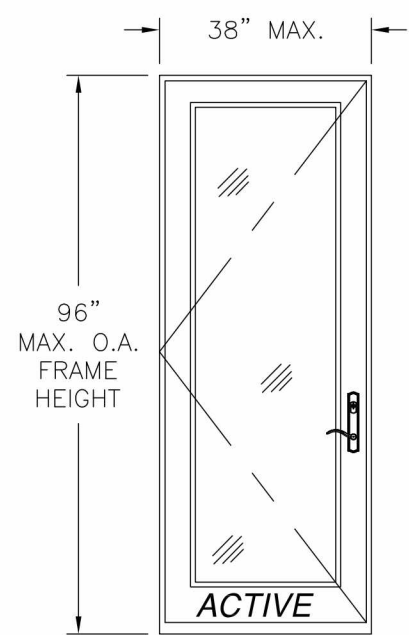
1. THE PRODUCT SHOWN HEREIN IS DESIGNED AND MANUFACTURED TO COMPLY WITH REQUIREMENTS OF THE FLORIDA BUILDING CODE.
2. WOOD FRAMING AND MASONRY OPENING TO BE DESIGNED AND ANCHORED TO PROPERLY TRANSFER ALL LOADS TO STRUCTURE. FRAMING AND MASONRY OPENING IS THE RESPONSIBILITY OF THE ARCHITECT OR ENGINEER OF RECORD.
3. 1X BUCK OVER MASONRY/CONCRETE IS OPTIONAL. WHERE 1X BUCK IS NOT USED DISSIMILAR MATERIALS MUST BE SEPARATED WITH APPROVED COATING OR MEMBRANE. SELECTION OF COATING OR MEMBRANE IS THE RESPONSIBILITY OF THE ARCHITECT OR ENGINEER OF RECORD.
4. UNITS MUST BE GLAZED PER ASTM E1300-04, SEE SHEET 2 FOR GLASS DETAILS.
5. APPROVED IMPACT PROTECTIVE SYSTEM IS REQUIRED FOR THIS PRODUCT IN WIND BORNE DEBRIS REGIONS.
6. SHIM AS REQUIRED AT EACH INSTALLATION ANCHOR WITH LOAD BEARING SHIM. SHIM WHERE SPACE OF 1/16" OR GREATER OCCURS. MAXIMUM ALLOWABLE SHIM STACK TO BE 1/4".
7. FOR ANCHORING INTO WOOD FRAMING OR 2X BUCK USE #10 WOOD SCREWS WITH SUFFICIENT LENGTH TO ACHIEVE A 1 3/8" MINIMUM EMBEDMENT INTO SUBSTRATE. LOCATE ANCHORS AS SHOWN IN ELEVATIONS AND INSTALLATION DETAILS.
8. FOR ANCHORING INTO MASONRY/CONCRETE USE 3/16" TAPCONS WITH SUFFICIENT LENGTH TO ACHIEVE A 1 1/4" MINIMUM EMBEDMENT INTO SUBSTRATE WITH 2 1/2" MINIMUM EDGE DISTANCE. LOCATE ANCHORS AS SHOWN IN ELEVATIONS AND INSTALLATION DETAILS.
9. ALL FASTENERS TO BE CORROSION RESISTANT.
10. INSTALLATION ANCHORS SHALL BE INSTALLED IN ACCORDANCE WITH ANCHOR MANUFACTURER'S INSTALLATION INSTRUCTIONS AND ANCHORS SHALL NOT BE USED IN SUBSTRATES WITH STRENGTHS LESS THAN THE MINIMUM STRENGTH SPECIFIED BELOW:
 - A. WOOD – MINIMUM SPECIFIC GRAVITY OF G=0.42
 - B. CONCRETE – MINIMUM COMPRESSIVE STRENGTH OF 3,192 PSI.
 - C. MASONRY – STRENGTH CONFORMANCE TO ASTM C-90, GRADE N, TYPE 1 (OR GREATER).
11. FRAME JAMB AND HEAD MATERIAL: CO-EXTRUDED PVC FOAM 1 1/2" THICK.
12. FRAME SILL MATERIAL: CO-EXTRUDED PVC FOAM 2" THICK WITH ALUMINUM CLADDING .063" THICK.
13. DOOR PANEL AND SIDELITE MATERIAL: .075" THICK FIBERGLASS SKIN WITH PVC FOAM TOP AND BOTTOM RAILS, AND PVC FOAM VERTICAL STILES WITH PINE REINFORCEMENTS AND POLYURETHANE FOAM CORE.
14. APPROVED CONFIGURATIONS: X, OX, XO, XX, OO, OXO, XXO, OXX, OOO AND OXXO. SEE SHEET 2.
15. HINGE LOCATION: (2) FROM TOP OF PANEL DOWN AT 8" AND 33 1/4" AND (2) FROM BOTTOM OF PANEL UP AT 8 1/2" AND 34".

SIGNED: 02/02/2016

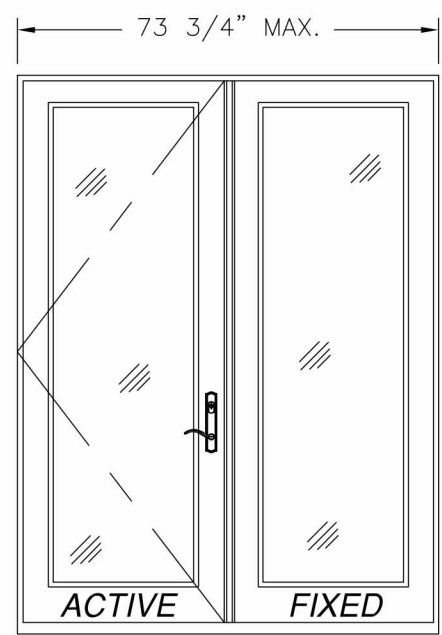
TABLE OF CONTENTS	
SHEET NO.	DESCRIPTION
1	ELEVATION AND NOTES
2	ADDITIONAL CONFIGURATIONS AND HARDWARE
3	ANCHORING LAYOUTS
4 – 7	INSTALLATION DETAILS

NAN YA PLASTICS CORP. USA 8989 NORTH LOOP EAST HOUSTON, TX 77029		
SERIES DISTINCTION IN-SWING FIBERGLASS CLAD ENTRY DOOR W/ & W/O SIDELITES OXXO ELEVATION AND NOTES		
DRAWN: TJH	DWG NO. 08-00768	REV C
SCALE NTS	DATE 07/01/09	SHEET 1 OF 7

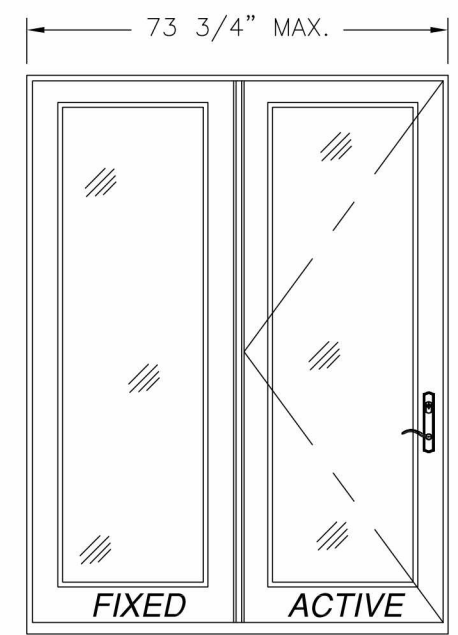




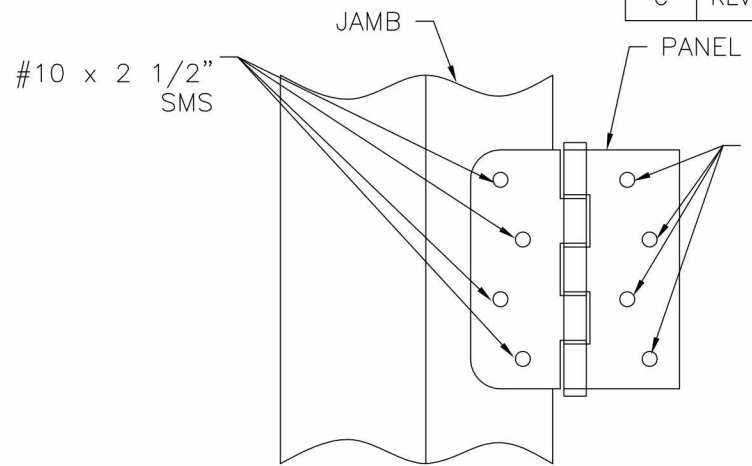
SINGLE
EXTERIOR VIEW



**SINGLE W/SIDELITE OR
DOUBLE FIXED**
EXTERIOR VIEW

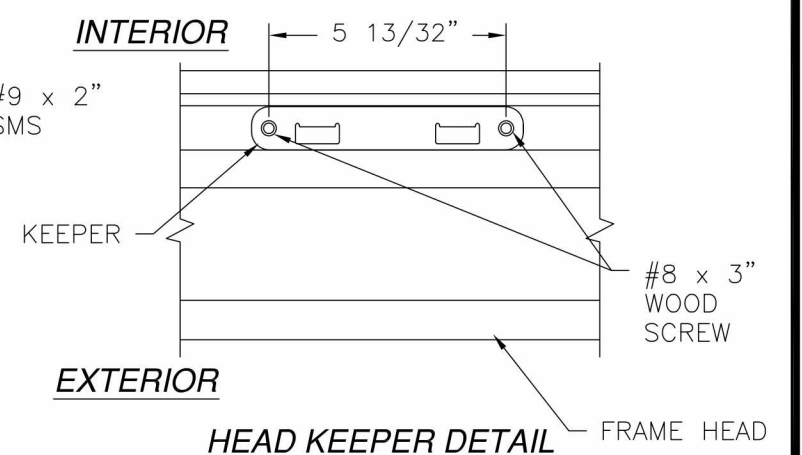


**SINGLE W/SIDELITE OR
DOUBLE FIXED**
EXTERIOR VIEW

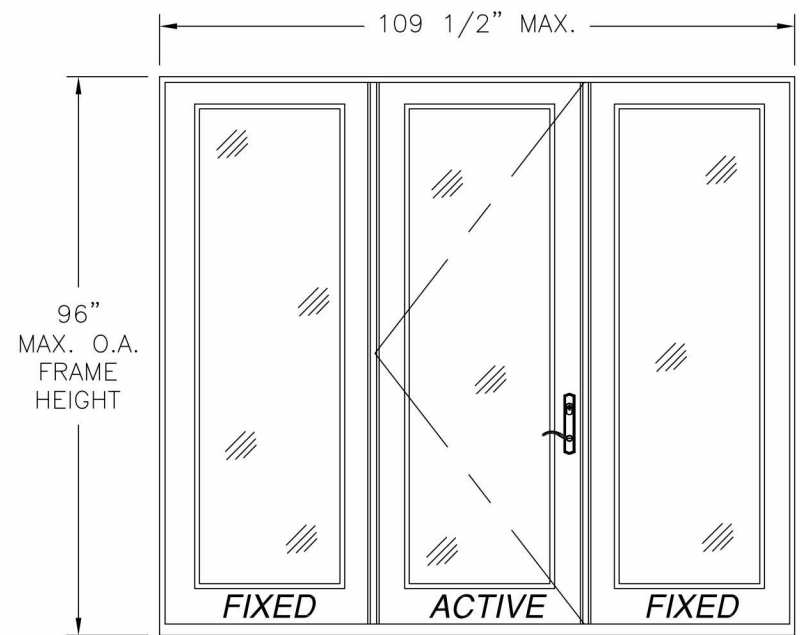


HINGE INSTALLATION DETAIL

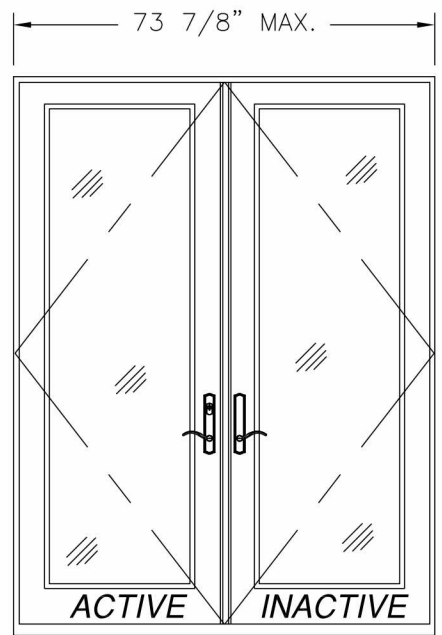
REVISIONS			
REV	DESCRIPTION	DATE	APPROVED
A	REVISED NOTES & GLAZING DETAIL	3/12/12	R.L.
B	ADDED EDGE DISTANCES	11/05/14	R.L.
C	REVISED SIDELITES INSTALLATION DETAILS	06/01/15	R.L.



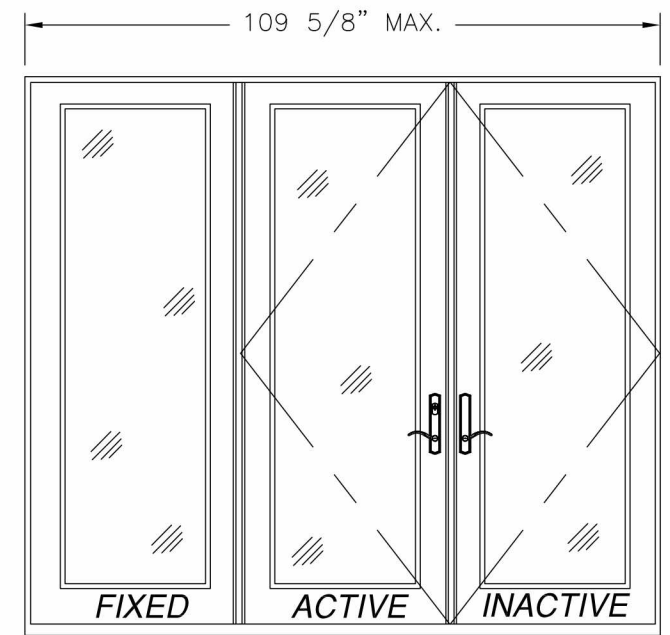
HEAD KEEPER DETAIL



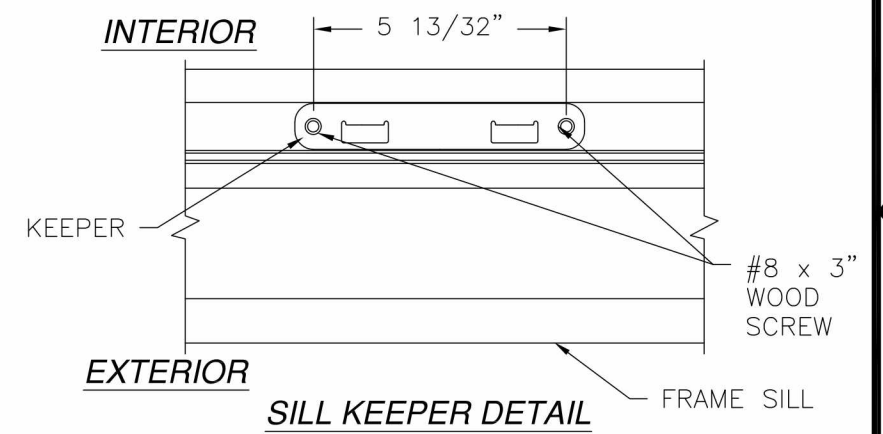
**SINGLE W/SIDELITES OR
TRIPLE FIXED**
EXTERIOR VIEW



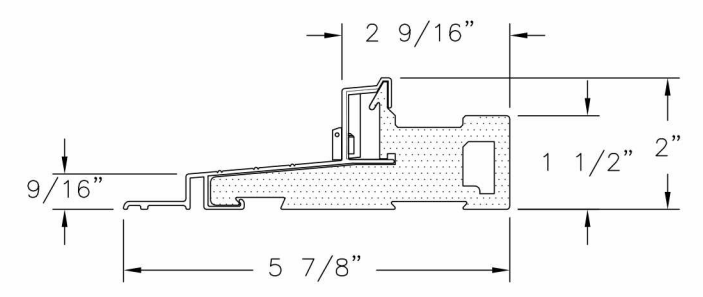
DOUBLE
EXTERIOR VIEW



DOUBLE W/SIDELITES
EXTERIOR VIEW



SILL KEEPER DETAIL

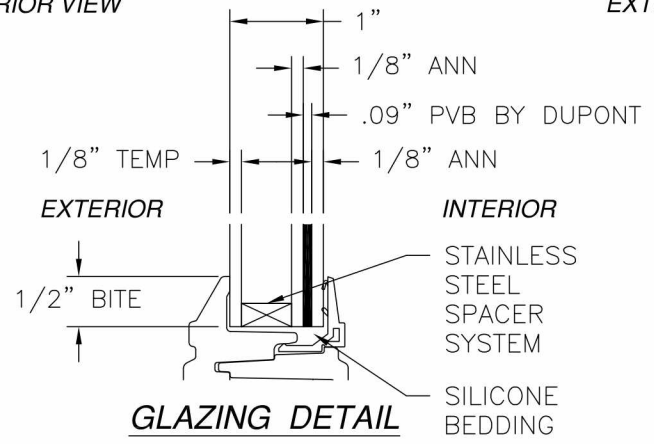


INSWING DOOR SILL DETAIL

SIGNED: 02/02/2016

NOTE:
ALL APPROVED CONFIGURATIONS ARE SHOWN AS LEFT HAND ACTIVE, RIGHT HAND ACTIVE IS ALSO APPROVED.

HARDWARE SCHEDULE	
A.	3-POINT LOCK HANDLE ASSEMBLY NINGBO MICOTA LOCKS
B.	(4) 4" x 4" BUTT HINGES BY WENZHOU LONGTAI HINGES
C.	EXTRUDED ALUMINUM & PVC FOAM ASTRAGAL BY NAN YA PLASTICS
D.	EXTRUDED ALUMINUM & PVC FOAM MULLION BY NAN YA PLASTICS

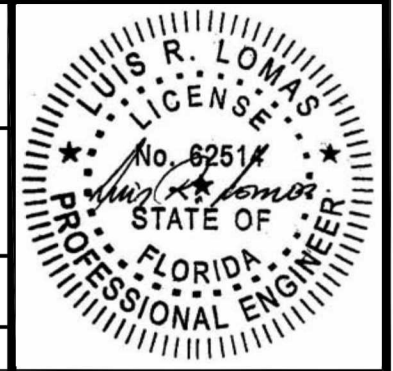


GLAZING DETAIL

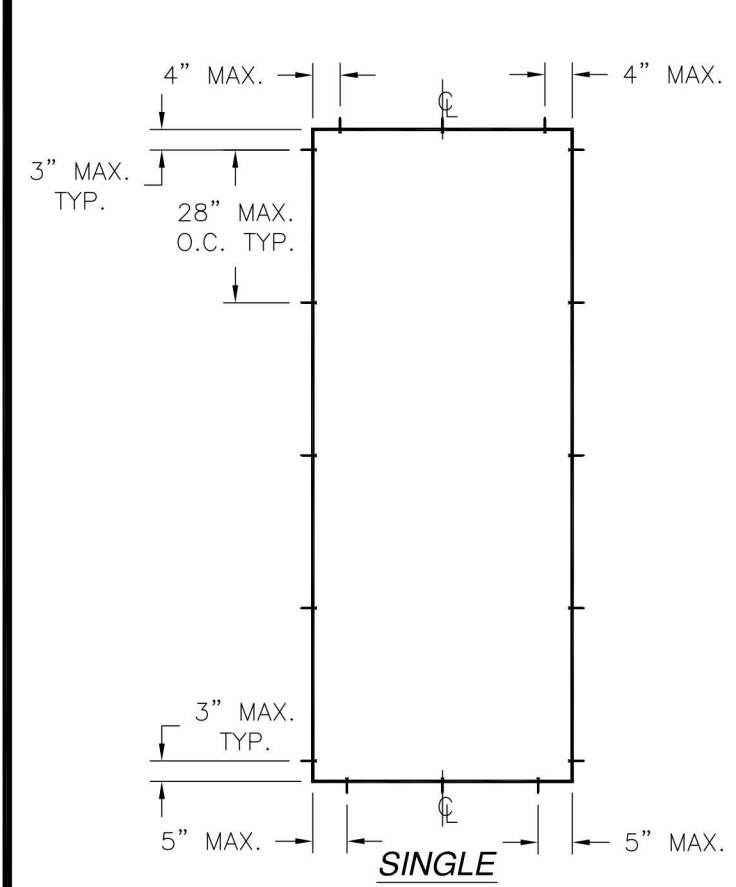
NAN YA PLASTICS CORP. USA
8989 NORTH LOOP EAST
HOUSTON, TX 77029

SERIES DISTINCTION IN-SWING FIBERGLASS CLAD ENTRY DOOR W/ & W/O SIDELITES
ADDITIONAL CONFIGURATIONS AND HARDWARE

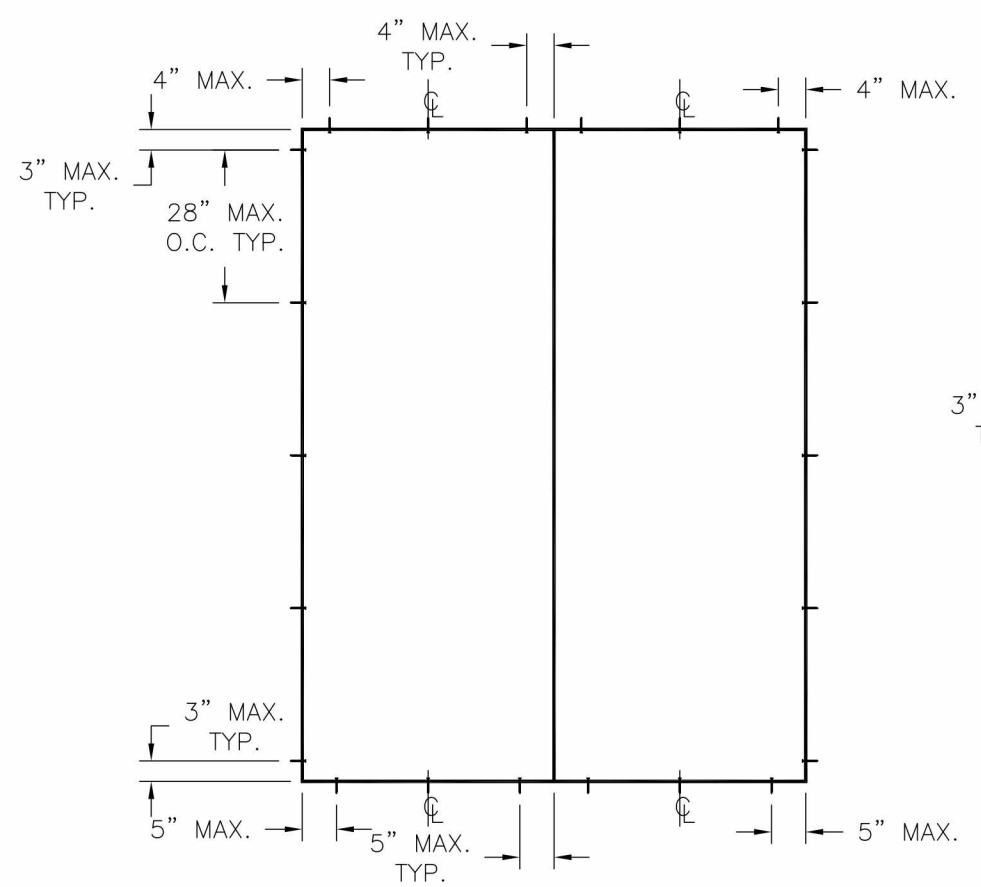
DRAWN: TJH	DWG NO. 08-00768	REV C
SCALE NTS	DATE 07/01/09	SHEET 2 OF 7



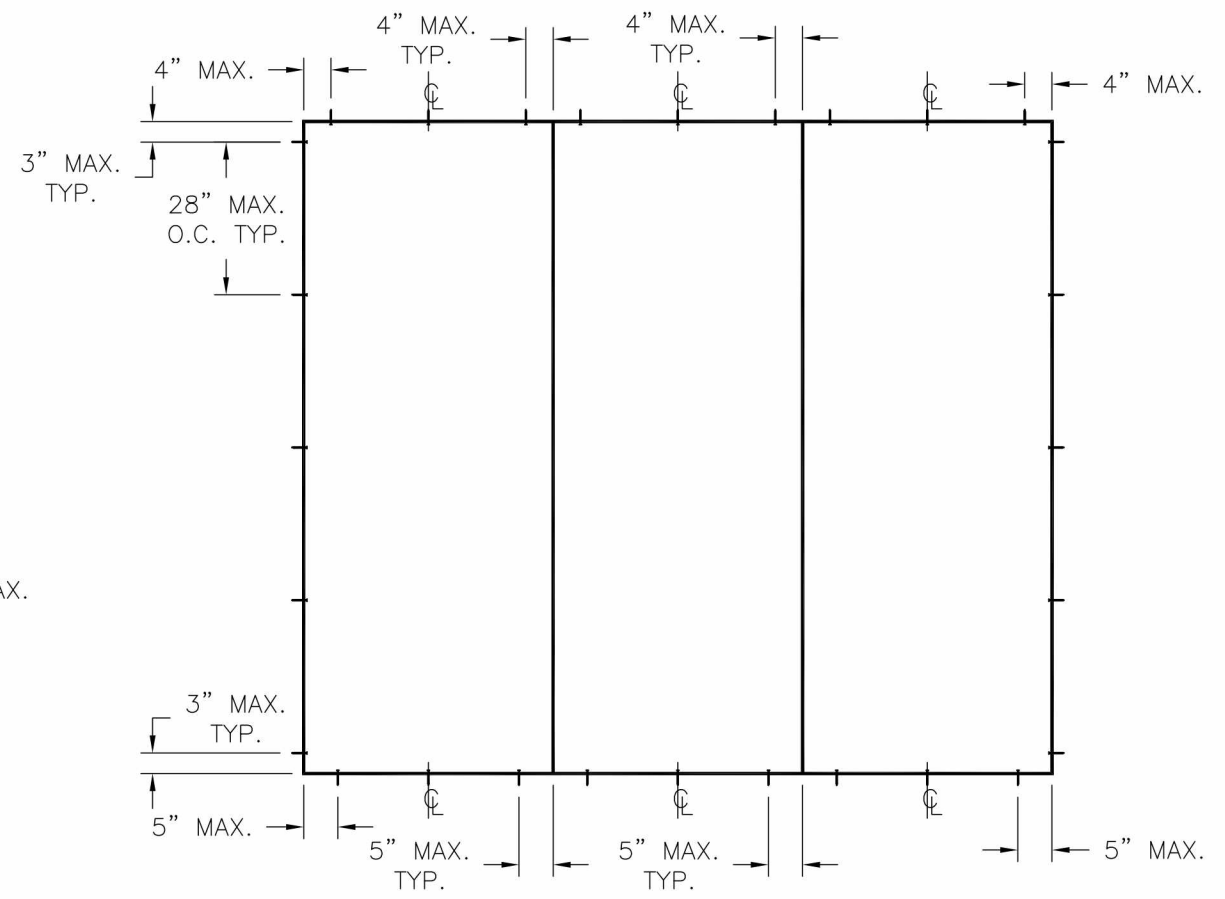
REVISIONS			
REV	DESCRIPTION	DATE	APPROVED
A	REVISED NOTES & GLAZING DETAIL	3/12/12	R.L.
B	ADDED EDGE DISTANCES	11/05/14	R.L.
C	REVISED SIDELITES INSTALLATION DETAILS	06/01/15	R.L.



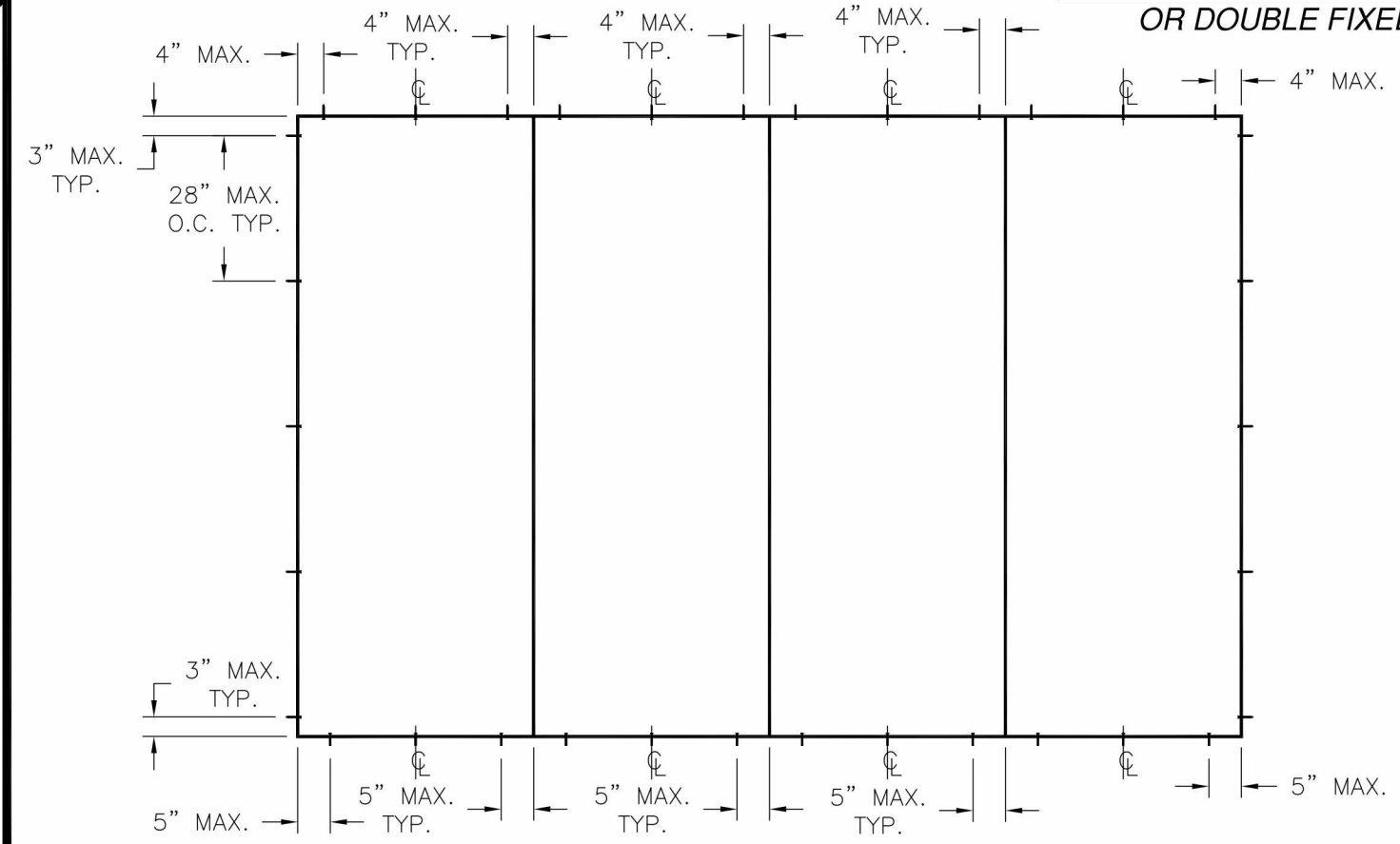
SINGLE



SINGLE W/SIDELITE, DOUBLE OR DOUBLE FIXED



SINGLE W/SIDELITES, DOUBLE W/SIDELITE OR TRIPLE FIXED



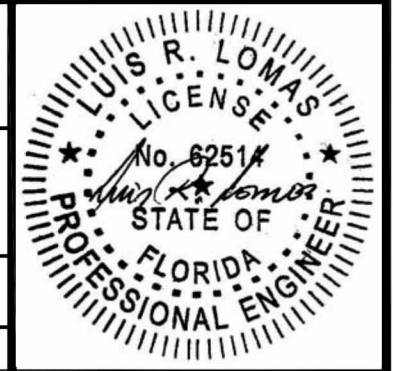
DOUBLE W/SIDELITES

SIGNED: 02/02/2016

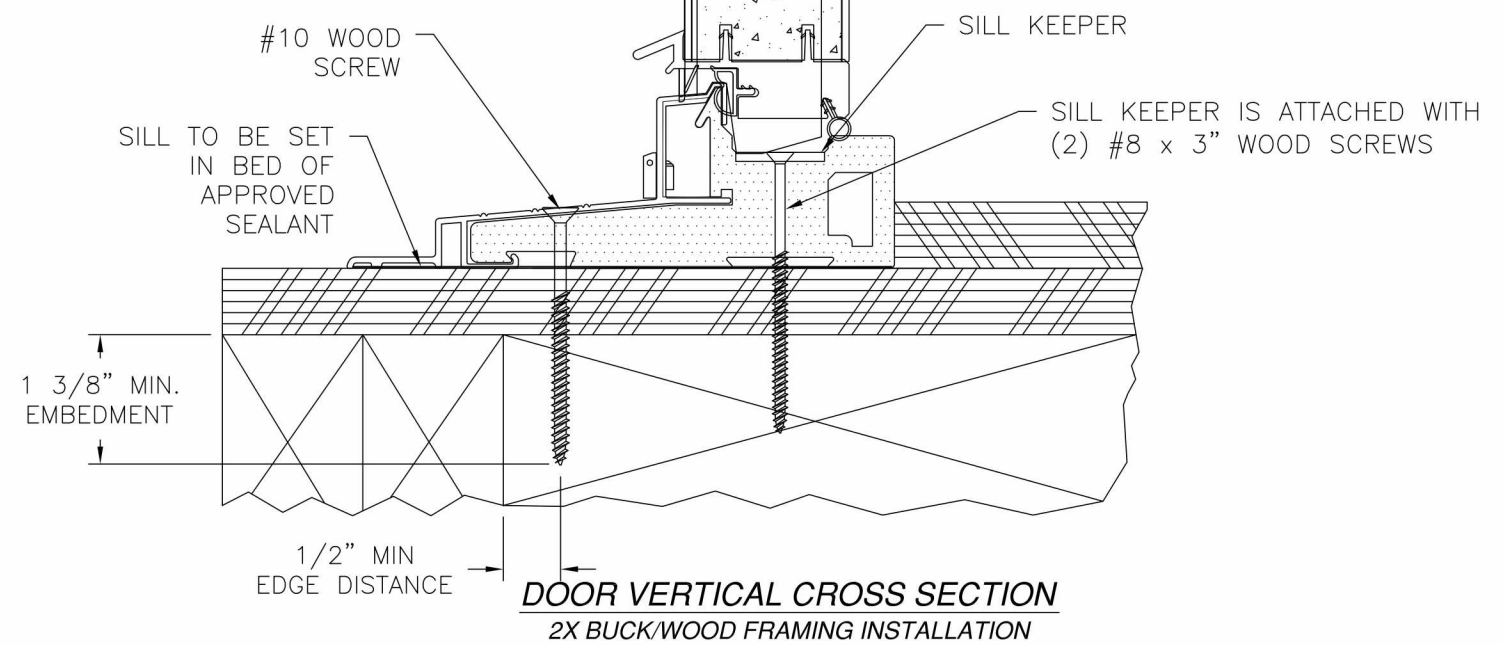
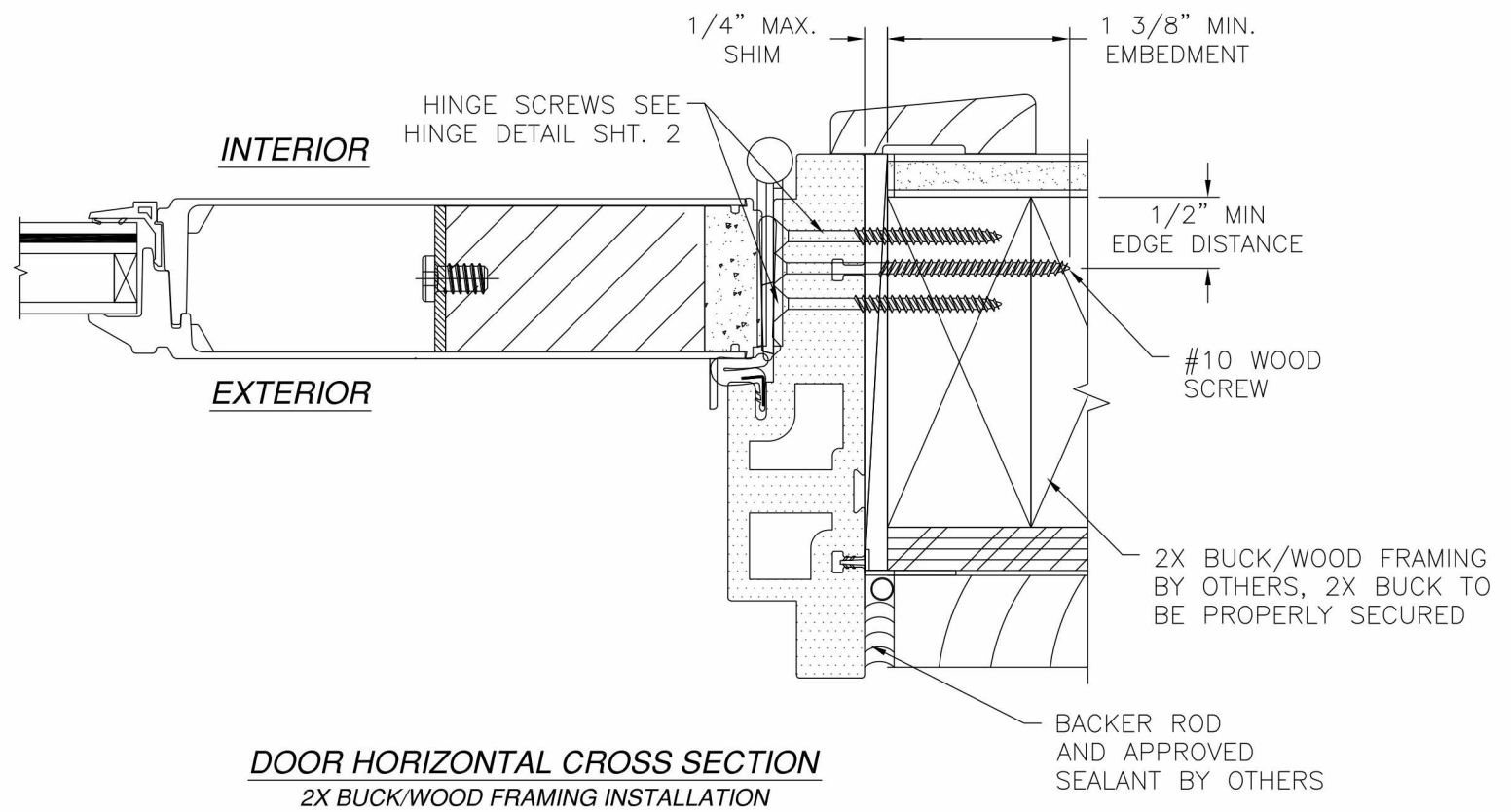
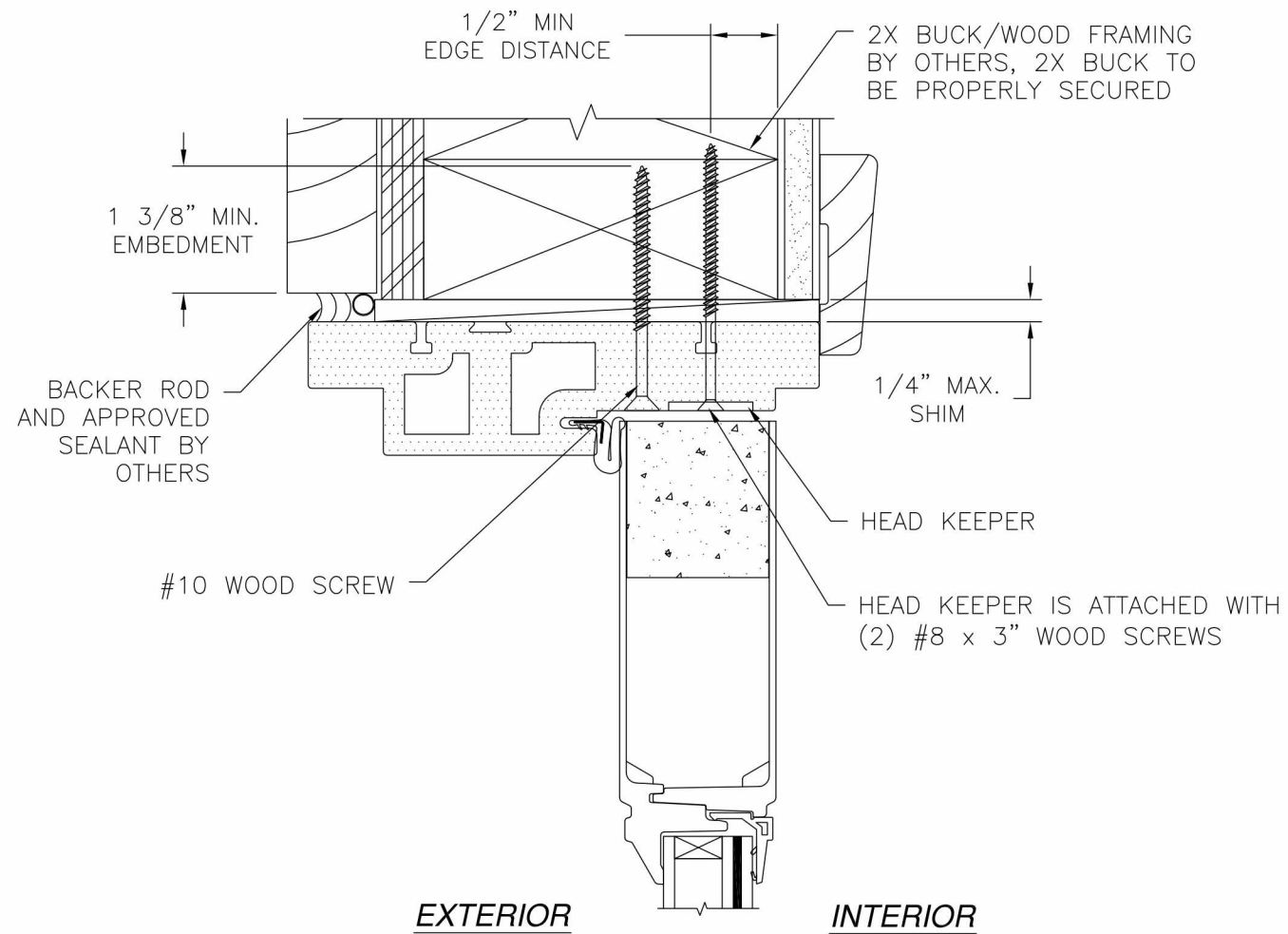
NAN YA PLASTICS CORP. USA
 8989 NORTH LOOP EAST
 HOUSTON, TX 77029

SERIES DISTINCTION IN-SWING FIBERGLASS CLAD
 ENTRY DOOR W/ & W/O SIDELITES
 ANCHORING LAYOUTS

DRAWN: TJH	DWG NO. 08-00768	REV C
SCALE NTS	DATE 07/01/09	SHEET 3 OF 7



REVISIONS			
REV	DESCRIPTION	DATE	APPROVED
A	REVISED NOTES & GLAZING DETAIL	3/12/12	R.L.
B	ADDED EDGE DISTANCES	11/05/14	R.L.
C	REVISED SIDELITES INSTALLATION DETAILS	06/01/15	R.L.



DOOR HORIZONTAL CROSS SECTION
2X BUCK/WOOD FRAMING INSTALLATION

DOOR VERTICAL CROSS SECTION
2X BUCK/WOOD FRAMING INSTALLATION

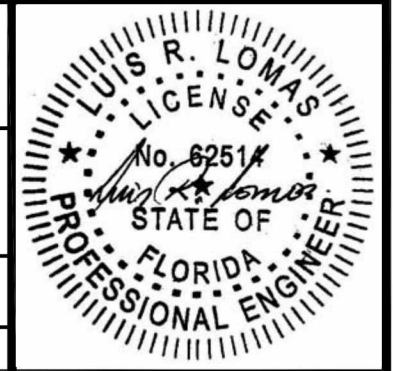
NOTES:
 1. INTERIOR AND EXTERIOR FINISHES, BY OTHERS, NOT SHOWN FOR CLARITY.
 2. PERIMETER AND JOINT SEALANT BY OTHERS TO BE DESIGNED IN ACCORDANCE WITH ASTM E2112

SIGNED: 02/02/2016

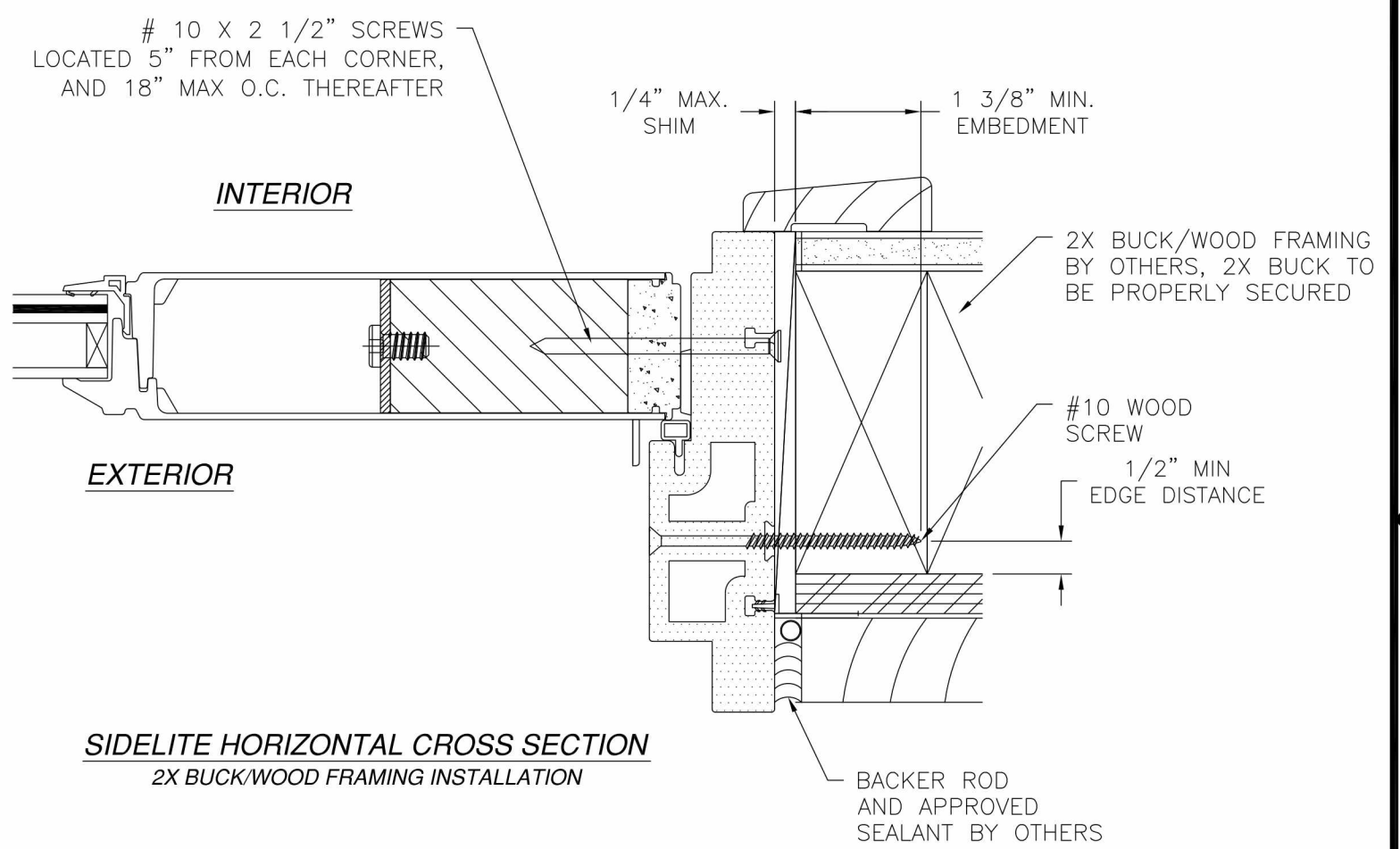
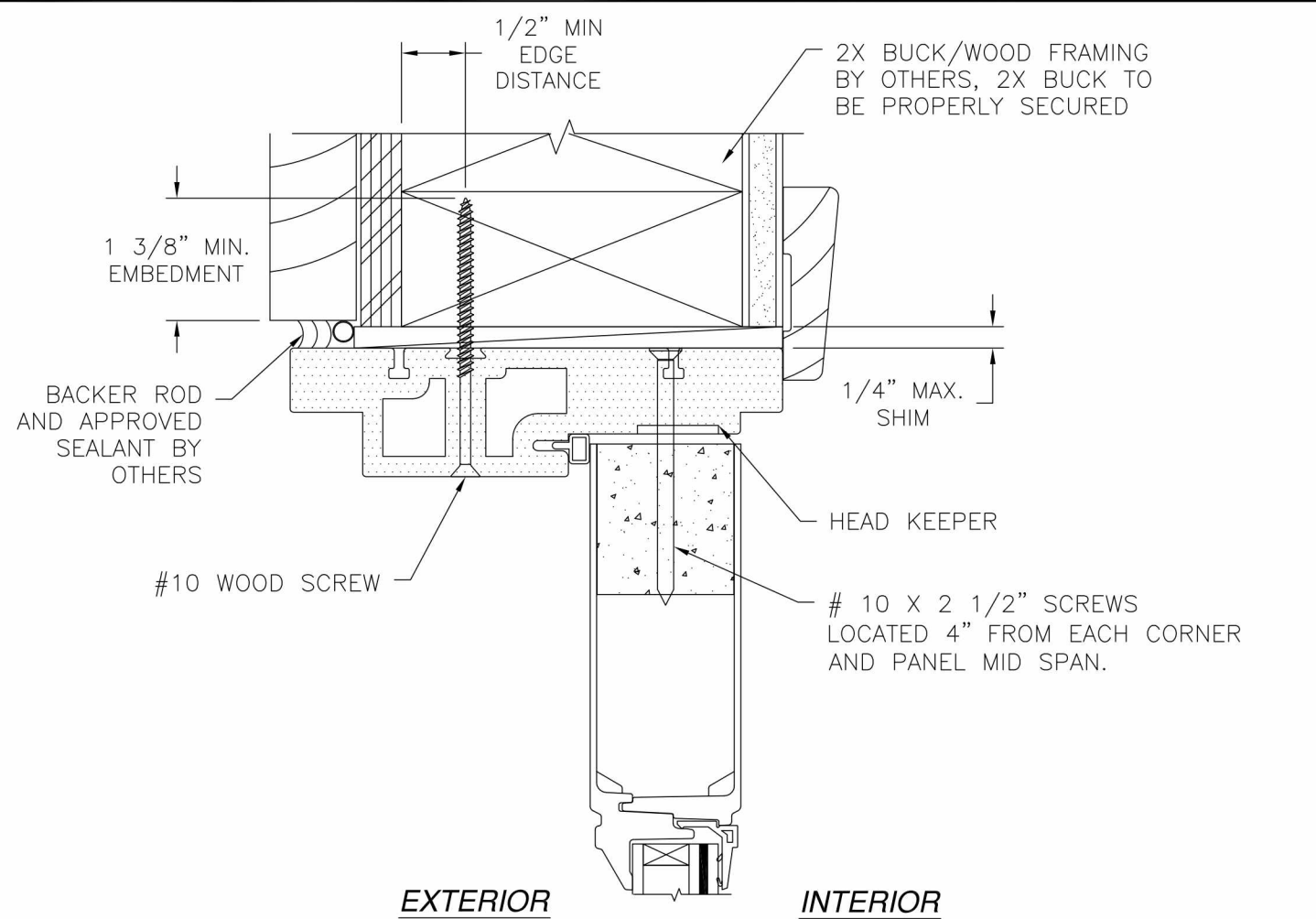
NAN YA PLASTICS CORP. USA
 8989 NORTH LOOP EAST
 HOUSTON, TX 77029

SERIES DISTINCTION IN-SWING FIBERGLASS CLAD ENTRY DOOR W/ & W/O SIDELITES INSTALLATION DETAILS

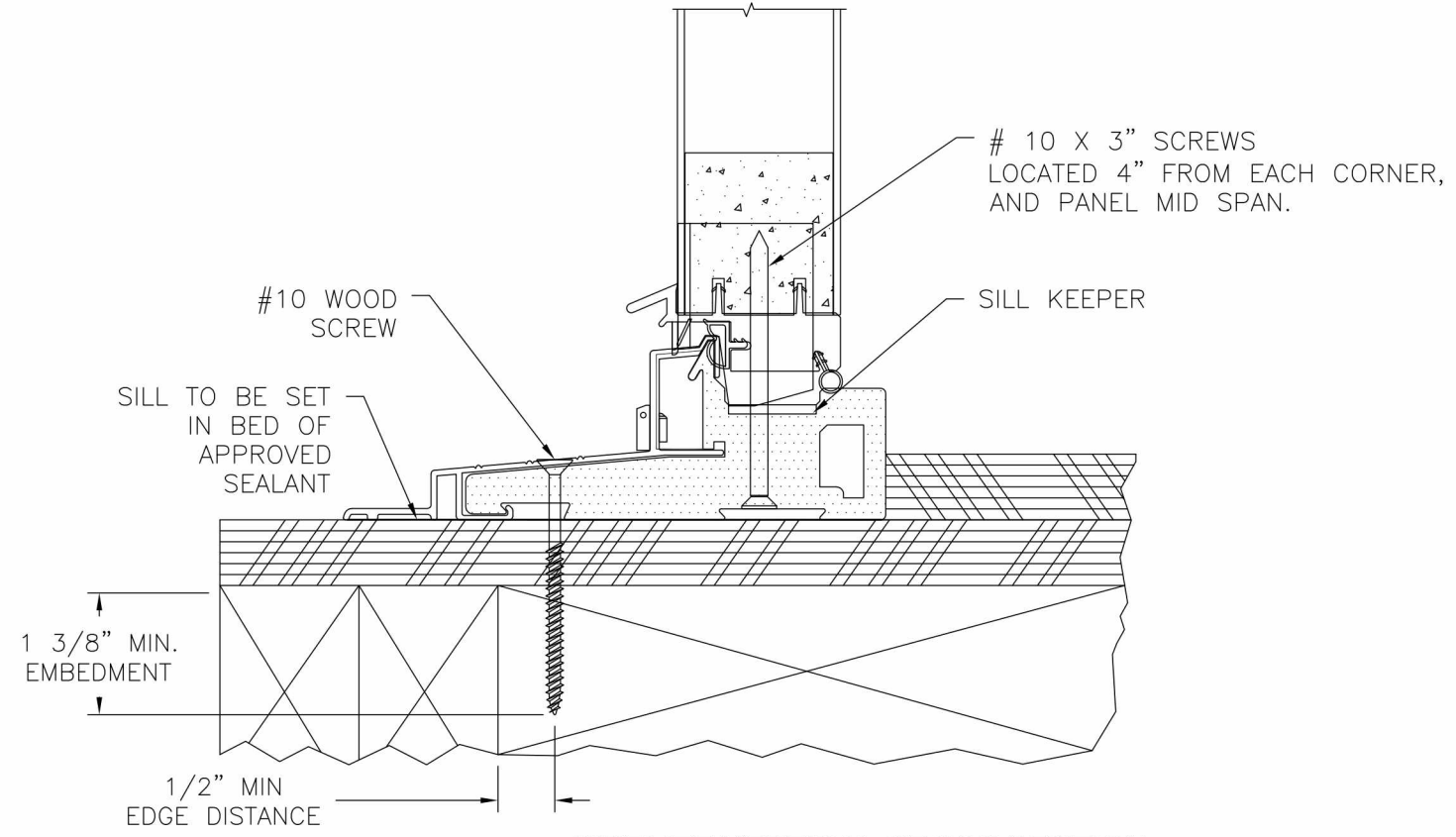
DRAWN: TJH	DWG NO. 08-00768	REV C
SCALE NTS	DATE 07/01/09	SHEET 4 OF 7



REVISIONS			
REV	DESCRIPTION	DATE	APPROVED
A	REVISED NOTES & GLAZING DETAIL	3/12/12	R.L.
B	ADDED EDGE DISTANCES	11/05/14	R.L.
C	REVISED SIDELITES INSTALLATION DETAILS	06/01/15	R.L.



SIDELITE HORIZONTAL CROSS SECTION
2X BUCK/WOOD FRAMING INSTALLATION



SIDELITE VERTICAL CROSS SECTION
2X BUCK/WOOD FRAMING INSTALLATION

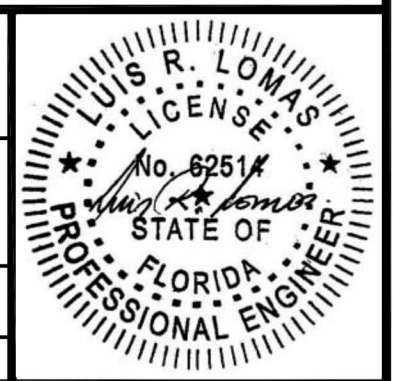
NOTES:
 1. INTERIOR AND EXTERIOR FINISHES, BY OTHERS, NOT SHOWN FOR CLARITY.
 2. PERIMETER AND JOINT SEALANT BY OTHERS TO BE DESIGNED IN ACCORDANCE WITH ASTM E2112

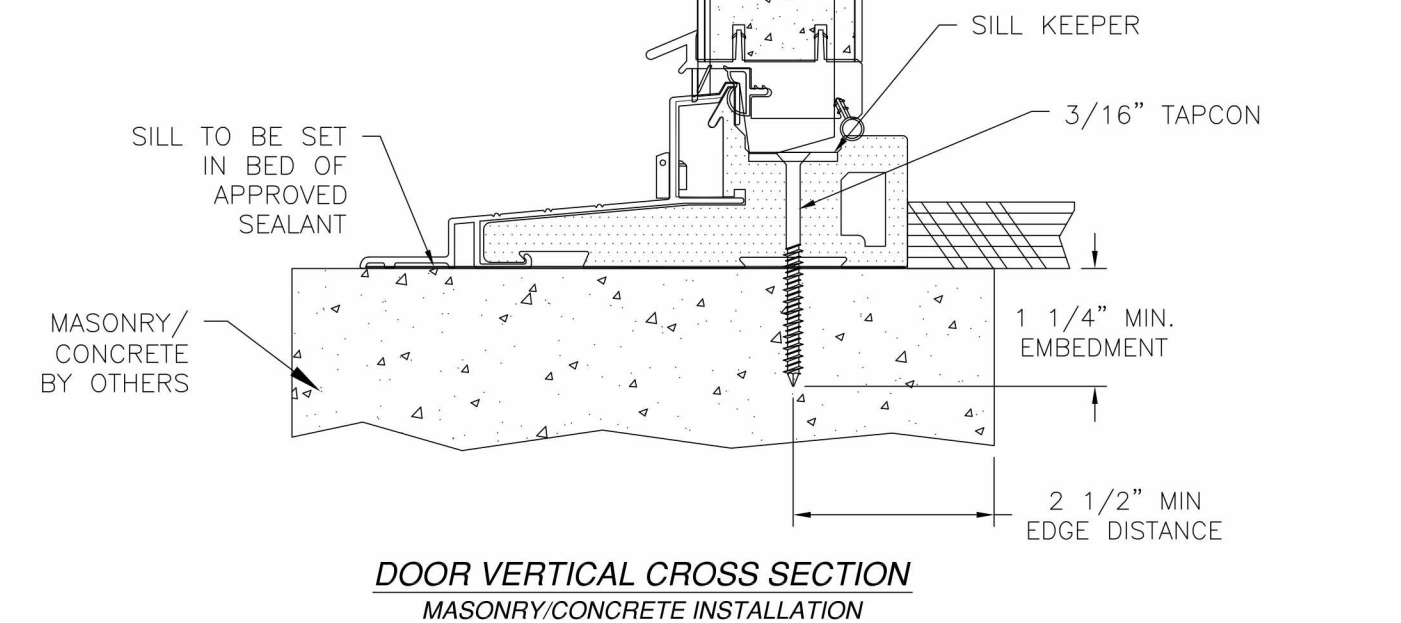
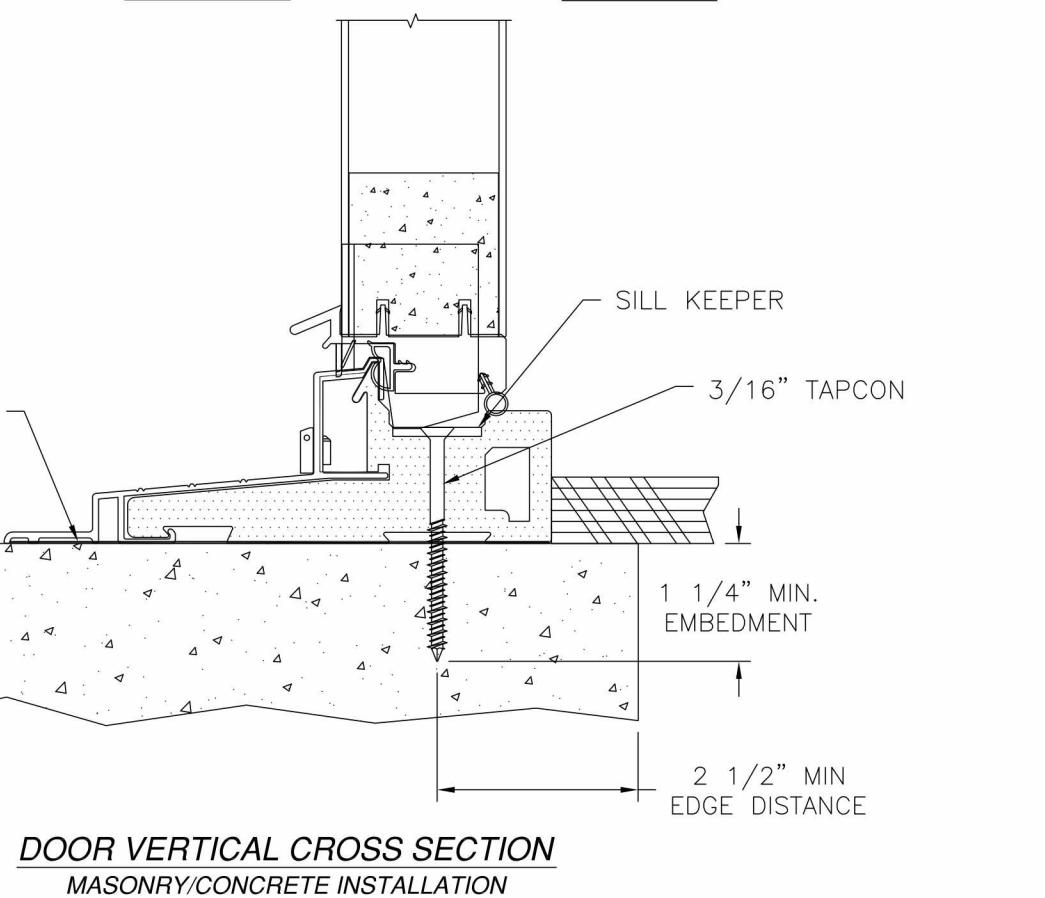
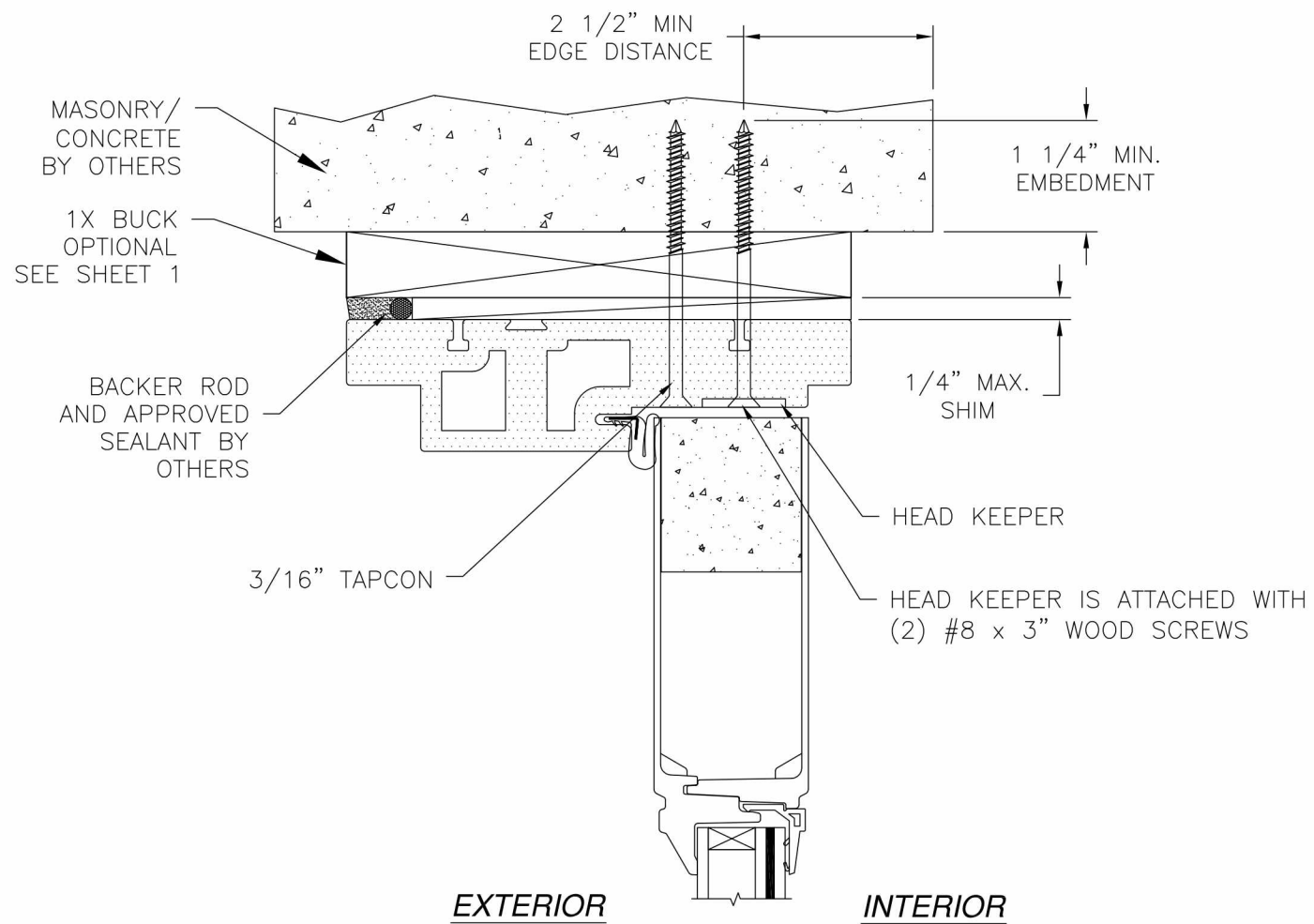
SIGNED: 02/02/2016

NAN YA PLASTICS CORP. USA
 8989 NORTH LOOP EAST
 HOUSTON, TX 77029

SERIES DISTINCTION IN-SWING FIBERGLASS CLAD ENTRY DOOR W/ & W/O SIDELITES INSTALLATION DETAILS

DRAWN: TJH	DWG NO. 08-00768	REV C
SCALE NTS	DATE 07/01/09	SHEET 5 OF 7





REVISIONS			
REV	DESCRIPTION	DATE	APPROVED
A	REVISED NOTES & GLAZING DETAIL	3/12/12	R.L.
B	ADDED EDGE DISTANCES	11/05/14	R.L.
C	REVISED SIDELITES INSTALLATION DETAILS	06/01/15	R.L.

DOOR HORIZONTAL CROSS SECTION
MASONRY/CONCRETE INSTALLATION

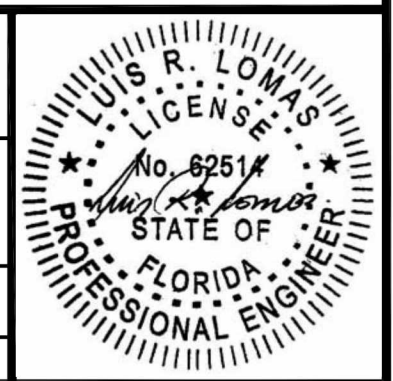
NOTES:
 1. INTERIOR AND EXTERIOR FINISHES, BY OTHERS, NOT SHOWN FOR CLARITY.
 2. PERIMETER AND JOINT SEALANT BY OTHERS TO BE DESIGNED IN ACCORDANCE WITH ASTM E2112

SIGNED: 02/02/2016

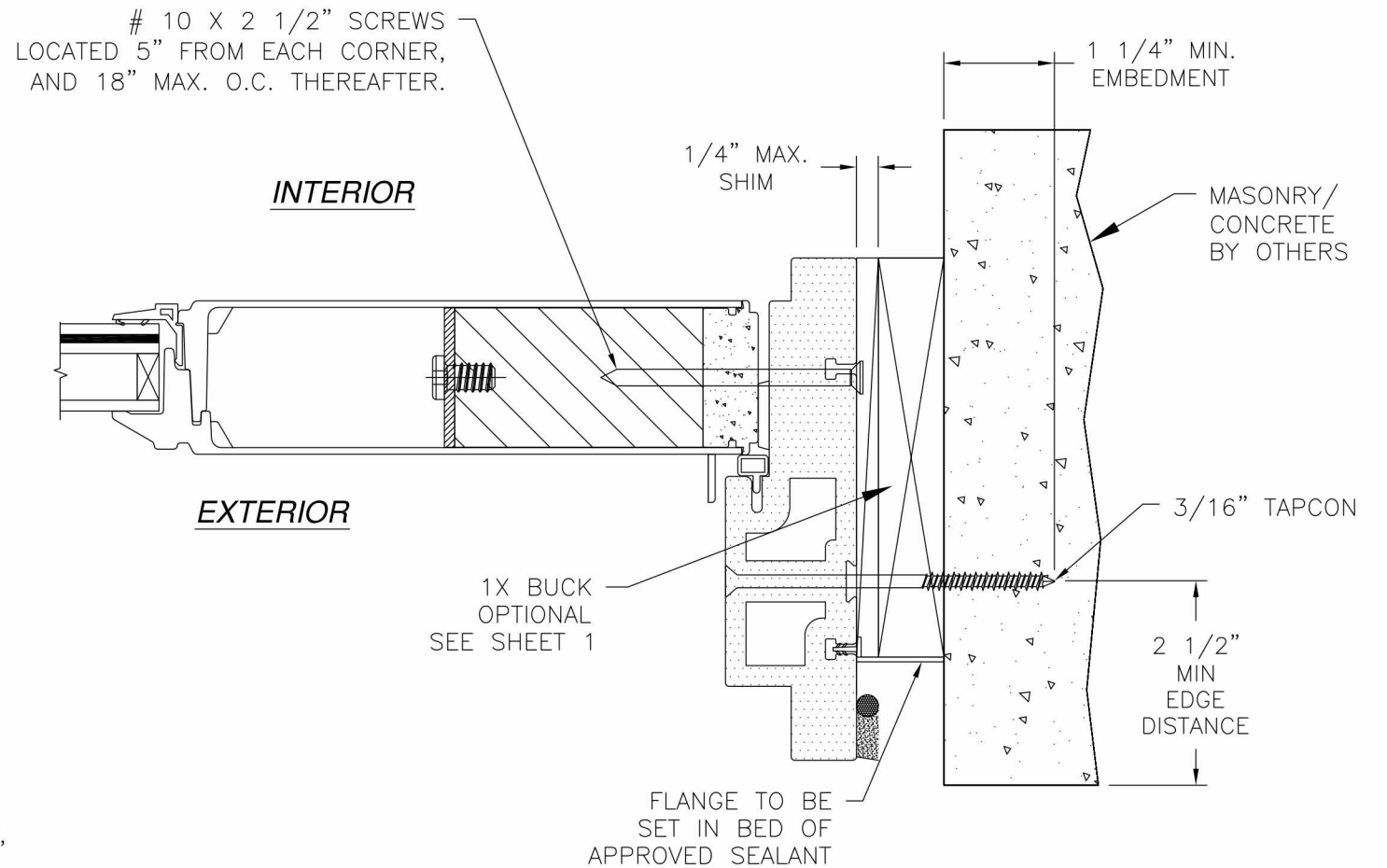
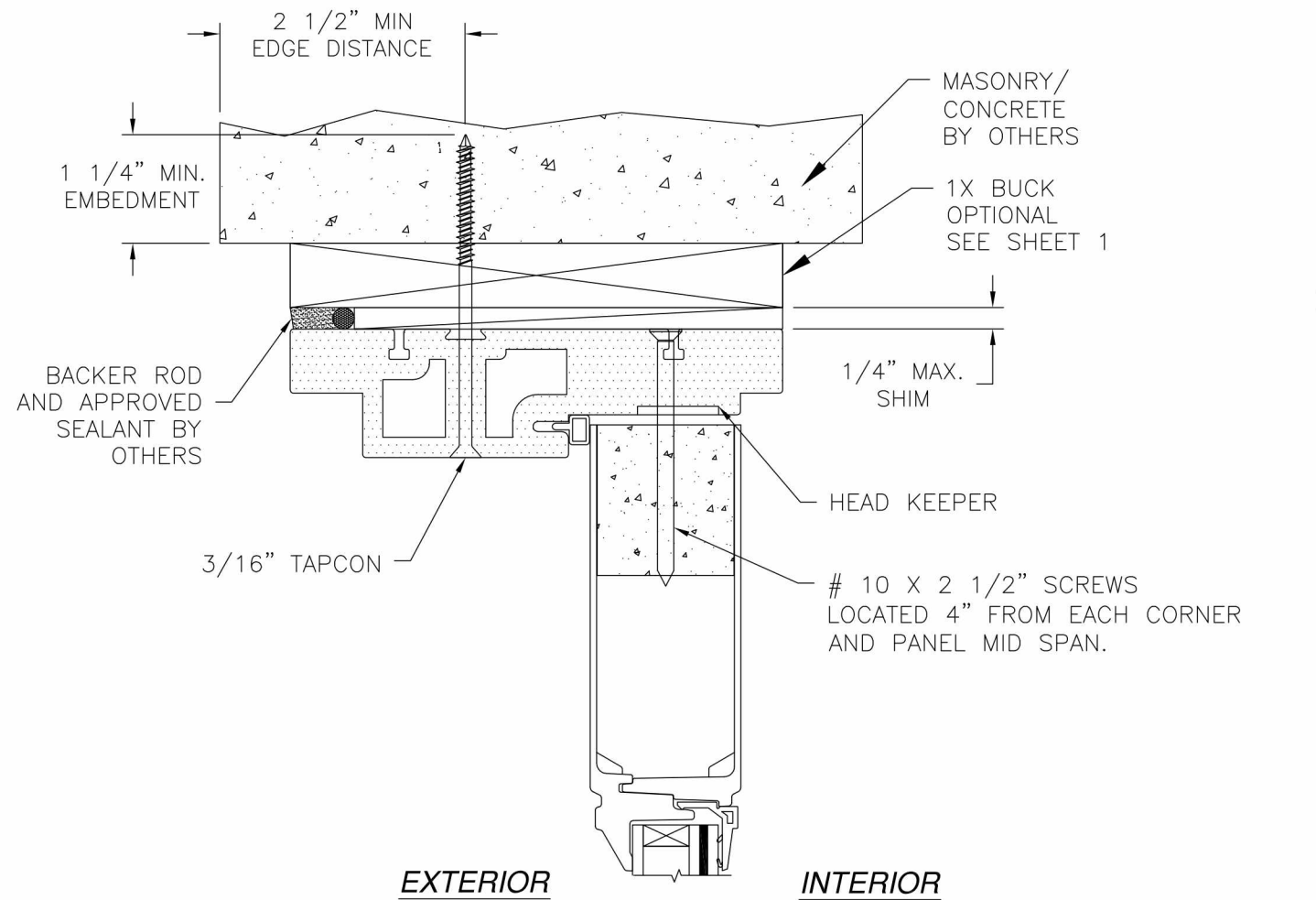
NAN YA PLASTICS CORP. USA
 8989 NORTH LOOP EAST
 HOUSTON, TX 77029

SERIES DISTINCTION IN-SWING FIBERGLASS CLAD ENTRY DOOR W/ & W/O SIDELITES INSTALLATION DETAILS

DRAWN: TJH	DWG NO. 08-00768	REV C
SCALE NTS	DATE 07/01/09	SHEET 6 OF 7



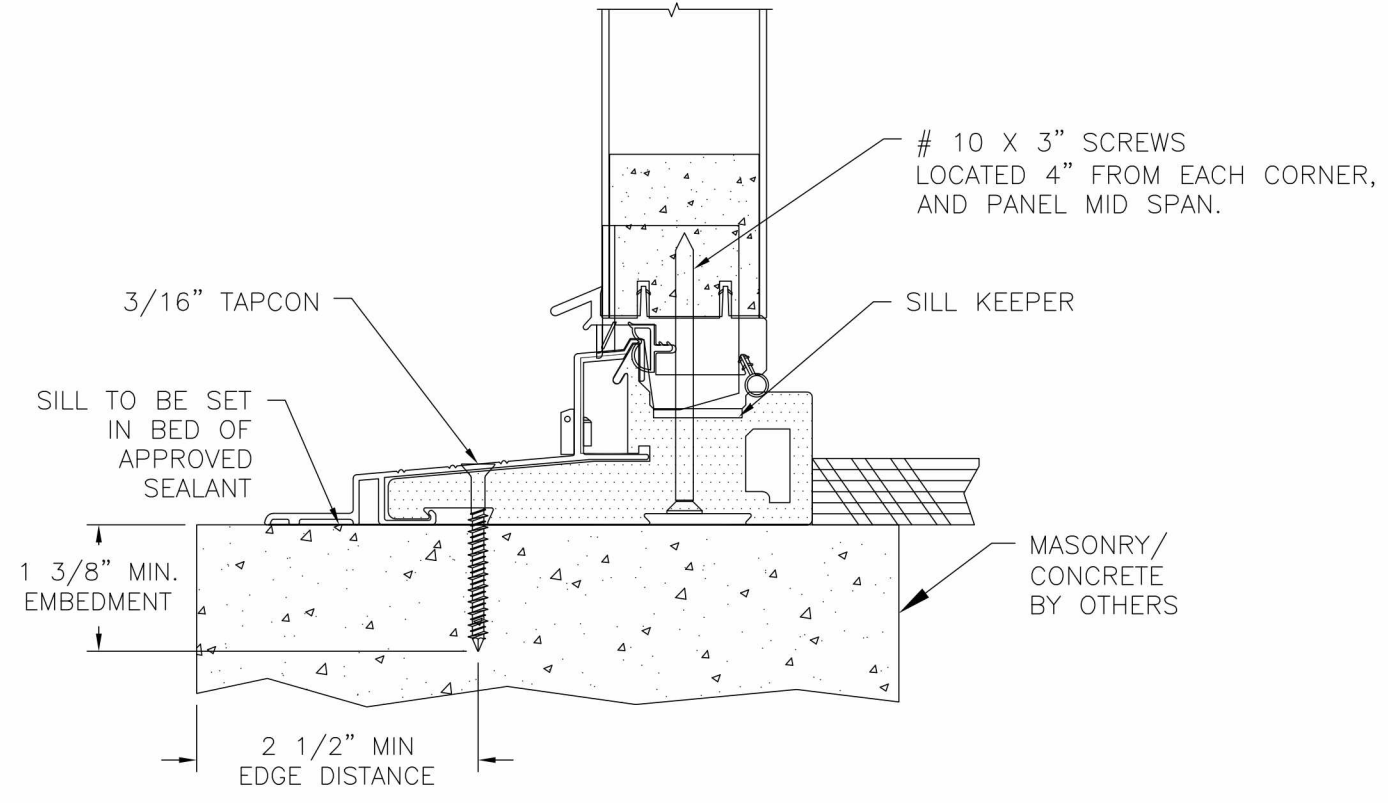
REVISIONS			
REV	DESCRIPTION	DATE	APPROVED
A	REVISED NOTES & GLAZING DETAIL	3/12/12	R.L.
B	ADDED EDGE DISTANCES	11/05/14	R.L.
C	REVISED SIDELITES INSTALLATION DETAILS	06/01/15	R.L.



SDELITE HORIZONTAL CROSS SECTION
MASONRY/CONCRETE INSTALLATION

NOTES:
 1. INTERIOR AND EXTERIOR FINISHES, BY OTHERS, NOT SHOWN FOR CLARITY.
 2. PERIMETER AND JOINT SEALANT BY OTHERS TO BE DESIGNED IN ACCORDANCE WITH ASTM E2112

SIGNED: 02/02/2016



SIDELITE VERTICAL CROSS SECTION
MASONRY/CONCRETE INSTALLATION

NAN YA PLASTICS CORP. USA
 8989 NORTH LOOP EAST
 HOUSTON, TX 77029

SERIES DISTINCTION IN-SWING FIBERGLASS CLAD
 ENTRY DOOR W/ & W/O SIDELITES
 INSTALLATION DETAILS

DRAWN: TJH	DWG NO. 08-00768	REV C
SCALE NTS	DATE 07/01/09	SHEET 7 OF 7

