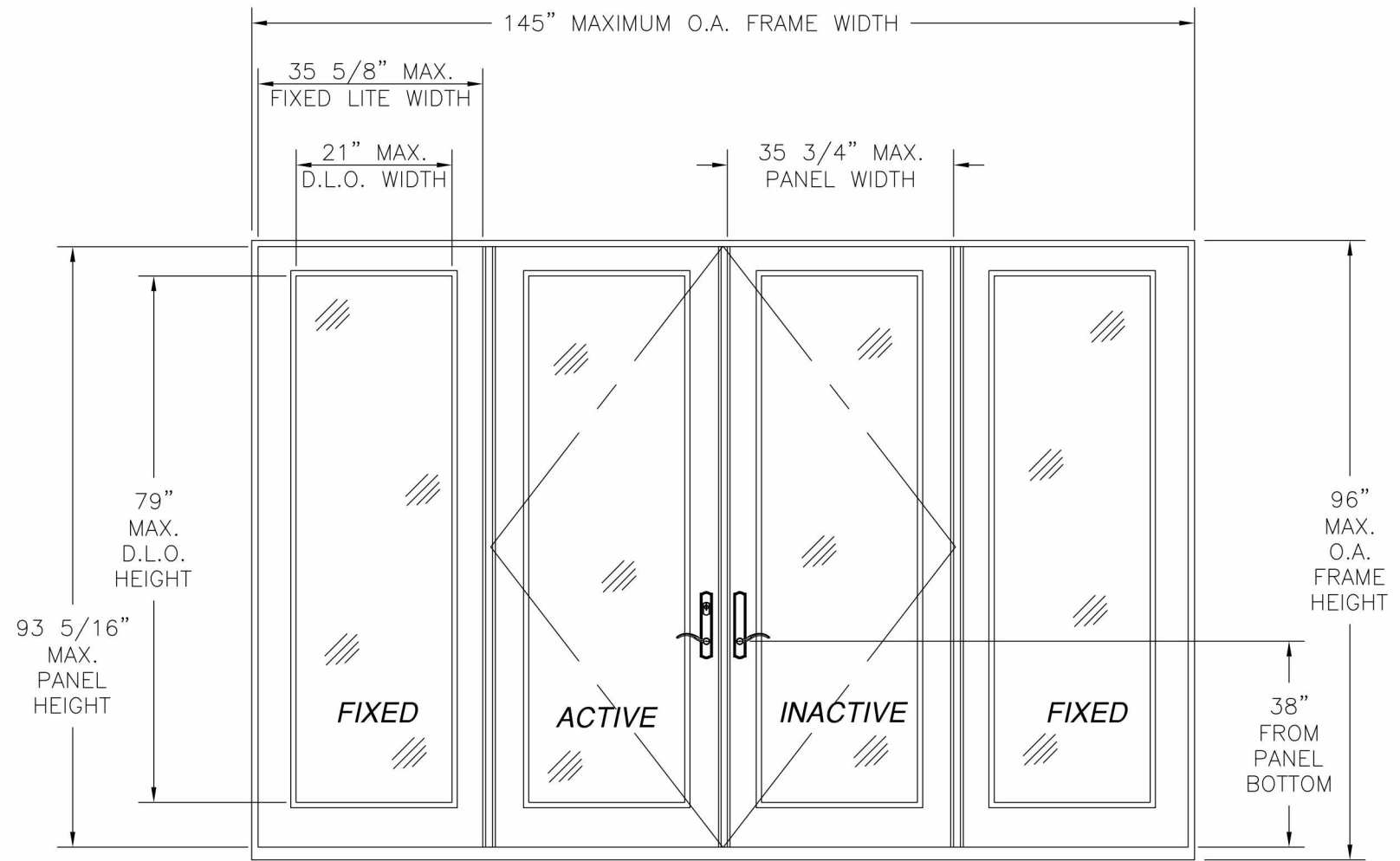


REVISIONS			
REV	DESCRIPTION	DATE	APPROVED
A	REVISED NOTES & GLAZING DETAIL	3/12/12	R.L.
B	REVISED HINGE ANCHORS	05/29/12	R.L.
C	ADDED EDGE DISTANCES	11/05/14	R.L.
D	REVISED SIDELITE INSTALLATION DETAIL	05/13/15	R.L.



**SERIES DISTINCTION OUT-SWING FIBERGLASS CLAD ENTRY  
DOUBLE DOOR W/ SIDELITES  
EXTERIOR VIEW**

DESIGN PRESSURE RATING	IMPACT RATING
±70PSF	NONE

**NOTES:**

- THE PRODUCT SHOWN HEREIN IS DESIGNED AND MANUFACTURED TO COMPLY WITH REQUIREMENTS OF THE FLORIDA BUILDING CODE.
- WOOD FRAMING AND MASONRY OPENING TO BE DESIGNED AND ANCHORED TO PROPERLY TRANSFER ALL LOADS TO STRUCTURE. FRAMING AND MASONRY OPENING IS THE RESPONSIBILITY OF THE ARCHITECT OR ENGINEER OF RECORD.
- 1X BUCK OVER MASONRY/CONCRETE IS OPTIONAL. WHERE 1X BUCK IS NOT USED DISSIMILAR MATERIALS MUST BE SEPARATED WITH APPROVED COATING OR MEMBRANE. SELECTION OF COATING OR MEMBRANE IS THE RESPONSIBILITY OF THE ARCHITECT OR ENGINEER OF RECORD.
- UNITS MUST BE GLAZED PER ASTM E1300-04, SEE SHEET 2 FOR GLASS OPTIONS.
- APPROVED IMPACT PROTECTIVE SYSTEM IS REQUIRED FOR THIS PRODUCT IN WIND BORNE DEBRIS REGIONS.
- SHIM AS REQUIRED AT EACH INSTALLATION ANCHOR WITH LOAD BEARING SHIM. SHIM WHERE SPACE OF 1/16" OR GREATER OCCURS. MAXIMUM ALLOWABLE SHIM STACK TO BE 1/4".
- FOR ANCHORING INTO WOOD FRAMING OR 2X BUCK USE #10 WOOD SCREWS WITH SUFFICIENT LENGTH TO ACHIEVE A 1 3/8" MINIMUM EMBEDMENT INTO SUBSTRATE. LOCATE ANCHORS AS SHOWN IN ELEVATIONS AND INSTALLATION DETAILS.
- FOR ANCHORING INTO MASONRY/CONCRETE USE 3/16" TAPCONS WITH SUFFICIENT LENGTH TO ACHIEVE A 1 1/4" MINIMUM EMBEDMENT INTO SUBSTRATE WITH 2 1/2" MINIMUM EDGE DISTANCE. LOCATE ANCHORS AS SHOWN IN ELEVATIONS AND INSTALLATION DETAILS.
- ALL FASTENERS TO BE CORROSION RESISTANT.
- INSTALLATION ANCHORS SHALL BE INSTALLED IN ACCORDANCE WITH ANCHOR MANUFACTURER'S INSTALLATION INSTRUCTIONS AND ANCHORS SHALL NOT BE USED IN SUBSTRATES WITH STRENGTHS LESS THAN THE MINIMUM STRENGTH SPECIFIED BELOW:
  - WOOD – MINIMUM SPECIFIC GRAVITY OF G=0.42
  - CONCRETE – MINIMUM COMPRESSIVE STRENGTH OF 3,192 PSI.
  - MASONRY – STRENGTH CONFORMANCE TO ASTM C-90, GRADE N, TYPE 1 (OR GREATER).
- FRAME JAMB AND HEAD MATERIAL: CO-EXTRUDED PVC FOAM 1 5/8" THICK.
- FRAME SILL MATERIAL: CO-EXTRUDED PVC FOAM 1 1/2" THICK WITH ALUMINUM CLADDING .063" THICK.
- DOOR PANEL AND SIDELITE MATERIAL: .075" THICK FIBERGLASS SKIN WITH PVC FOAM TOP AND BOTTOM RAILS, AND PVC FOAM VERTICAL STILES WITH PINE REINFORCEMENTS AND POLYURETHANE FOAM CORE.
- APPROVED CONFIGURATIONS: X, OX, XO, XX, OO, OXO, XXO, OXX, OOO AND OXXO. SEE SHEET 2.
- HINGE LOCATION: (2) FROM TOP OF PANEL DOWN AT 8" AND 33 1/4" AND (2) FROM BOTTOM OF PANEL UP AT 8 1/2" AND 34".

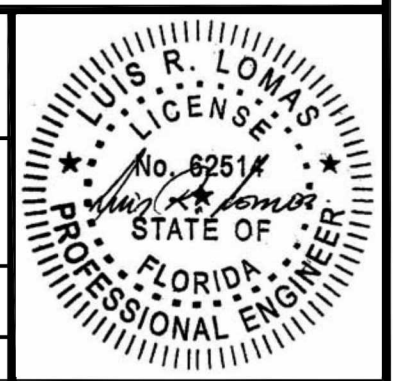
SIGNED: 02/02/2016

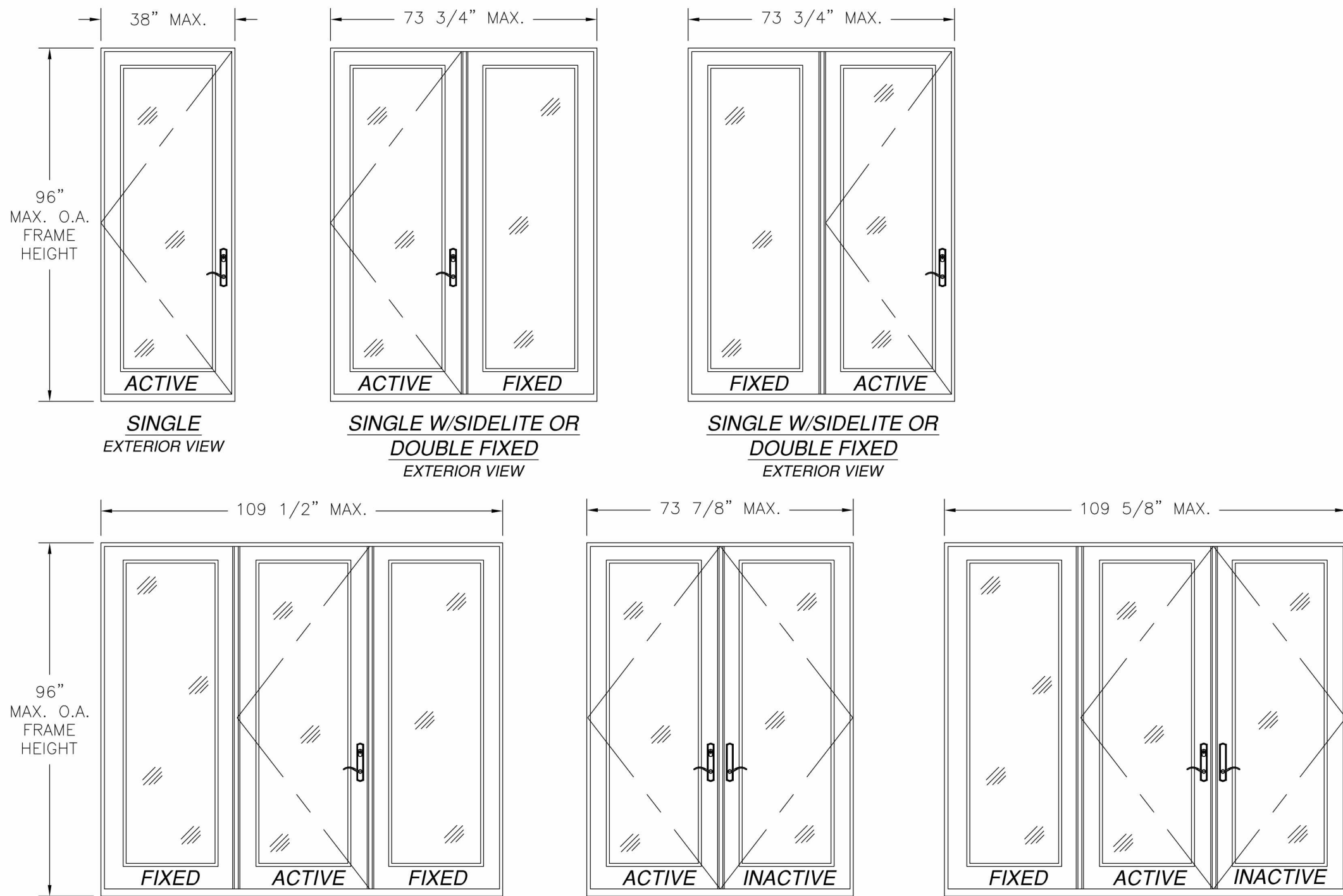
TABLE OF CONTENTS	
SHEET NO.	DESCRIPTION
1	ELEVATION AND NOTES
2	ADDITIONAL CONFIGURATIONS AND HARDWARE
3	ANCHORING LAYOUTS
4	ANCHORING LAYOUT AND INSTALLATION DETAILS
5 – 8	INSTALLATION DETAILS

**NAN YA PLASTICS CORP. USA**  
8989 NORTH LOOP EAST  
HOUSTON, TX 77029

SERIES DISTINCTION OUT-SWING FIBERGLASS CLAD  
ENTRY DOOR W/ & W/O SIDELITES  
OXXO ELEVATION AND NOTES

DRAWN: TJH	DWG NO. 08-00769	REV D
SCALE NTS	DATE 07/01/09	SHEET 1 OF 8





**SINGLE**  
EXTERIOR VIEW

**SINGLE W/SIDELITE OR  
DOUBLE FIXED**  
EXTERIOR VIEW

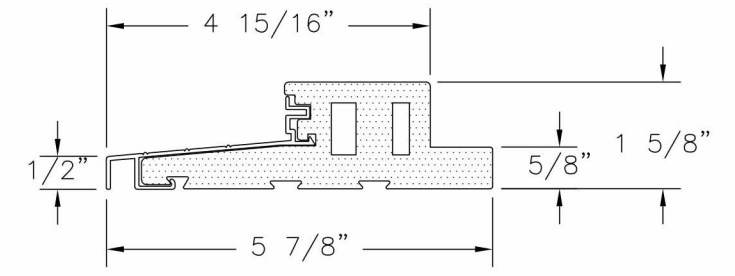
**SINGLE W/SIDELITE OR  
DOUBLE FIXED**  
EXTERIOR VIEW

**SINGLE W/SIDELITES OR  
TRIPLE FIXED**  
EXTERIOR VIEW

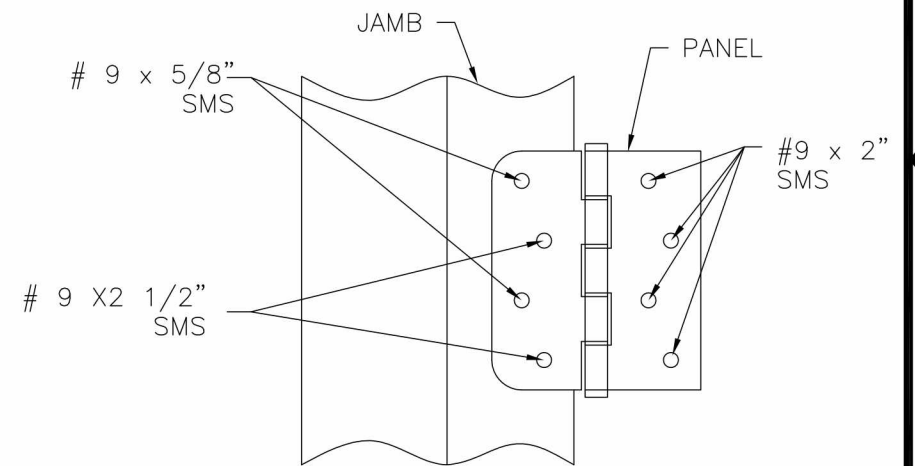
**DOUBLE**  
EXTERIOR VIEW

**DOUBLE W/SIDELITES**  
EXTERIOR VIEW

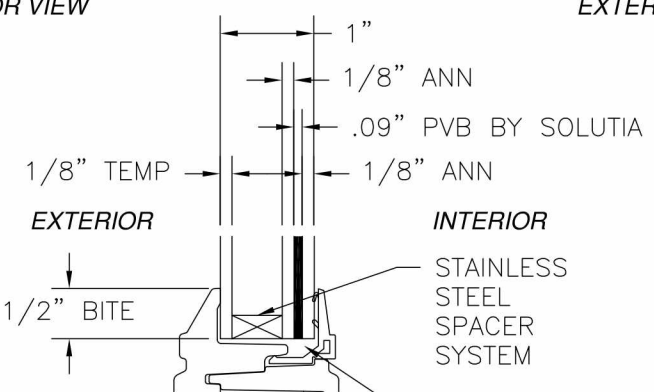
REVISIONS			
REV	DESCRIPTION	DATE	APPROVED
A	REVISED NOTES & GLAZING DETAIL	3/12/12	R.L.
B	REVISED HINGE ANCHORS	05/29/12	R.L.
C	ADDED EDGE DISTANCES	11/05/14	R.L.
D	REVISED SIDELITE INSTALLATION DETAIL	05/13/15	R.L.



**OUTSWING DOOR SILL DETAIL**



**HINGE INSTALLATION DETAIL**



**GLAZING DETAIL**

NOTE:  
ALL APPROVED CONFIGURATIONS ARE SHOWN AS LEFT HAND ACTIVE, RIGHT HAND ACTIVE IS ALSO APPROVED.

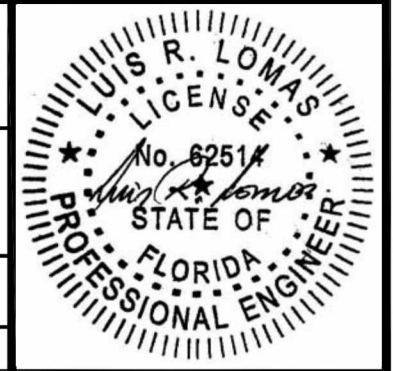
HARDWARE SCHEDULE	
A.	3-POINT LOCK HANDLE ASSEMBLY NINGBO MICOTA LOCKS
B.	(4) 4" x 4" BUTT HINGES BY WENZHOU LONGTAI HINGES
C.	EXTRUDED ALUMINUM & PVC FOAM ASTRAGAL BY NAN YA PLASTICS
D.	EXTRUDED ALUMINUM & PVC FOAM MULLION BY NAN YA PLASTICS

SIGNED: 02/02/2016

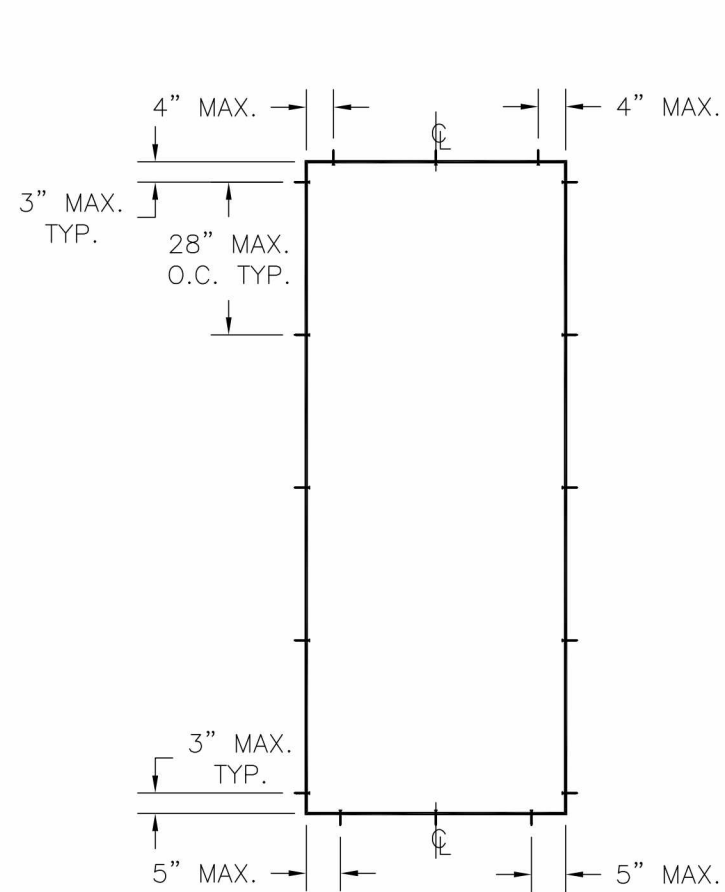
**NAN YA PLASTICS CORP. USA**  
8989 NORTH LOOP EAST  
HOUSTON, TX 77029

SERIES DISTINCTION OUT-SWING FIBERGLASS CLAD ENTRY DOOR W/ & W/O SIDELITES  
ADDITIONAL CONFIGURATIONS AND HARDWARE

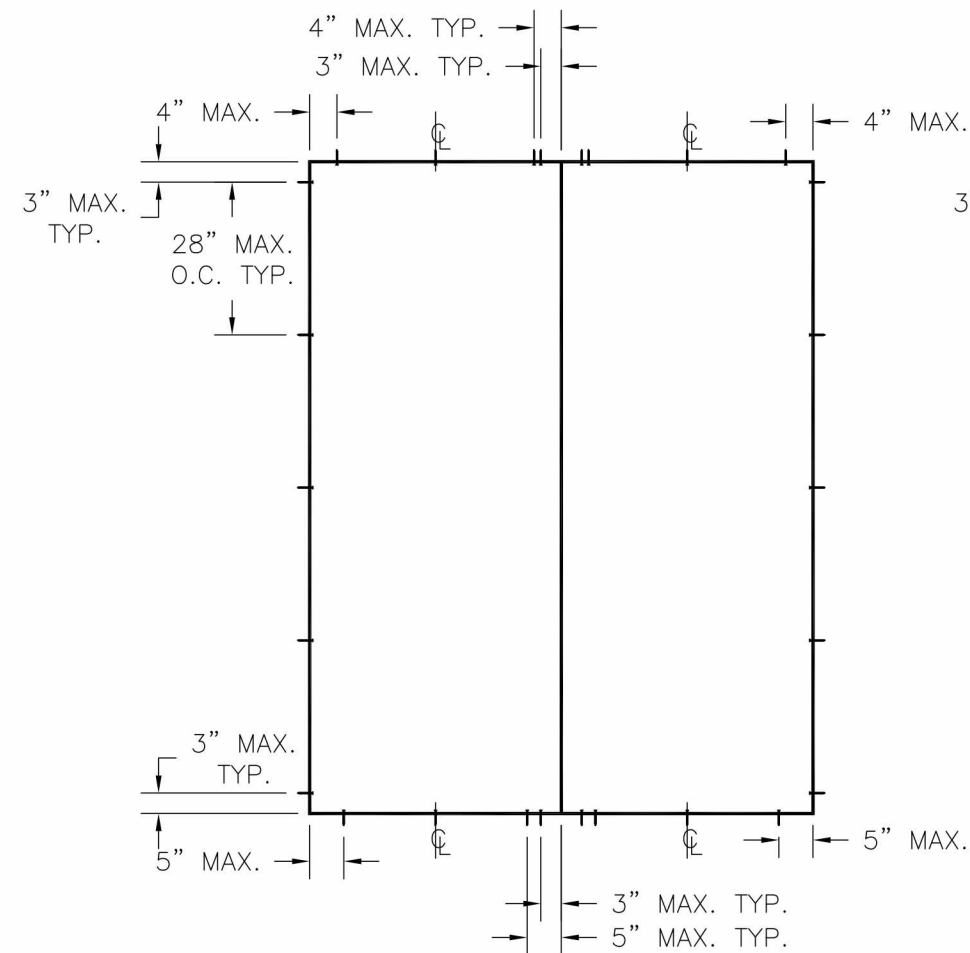
DRAWN: TJH	DWG NO. 08-00769	REV D
SCALE NTS	DATE 07/01/09	SHEET 2 OF 8



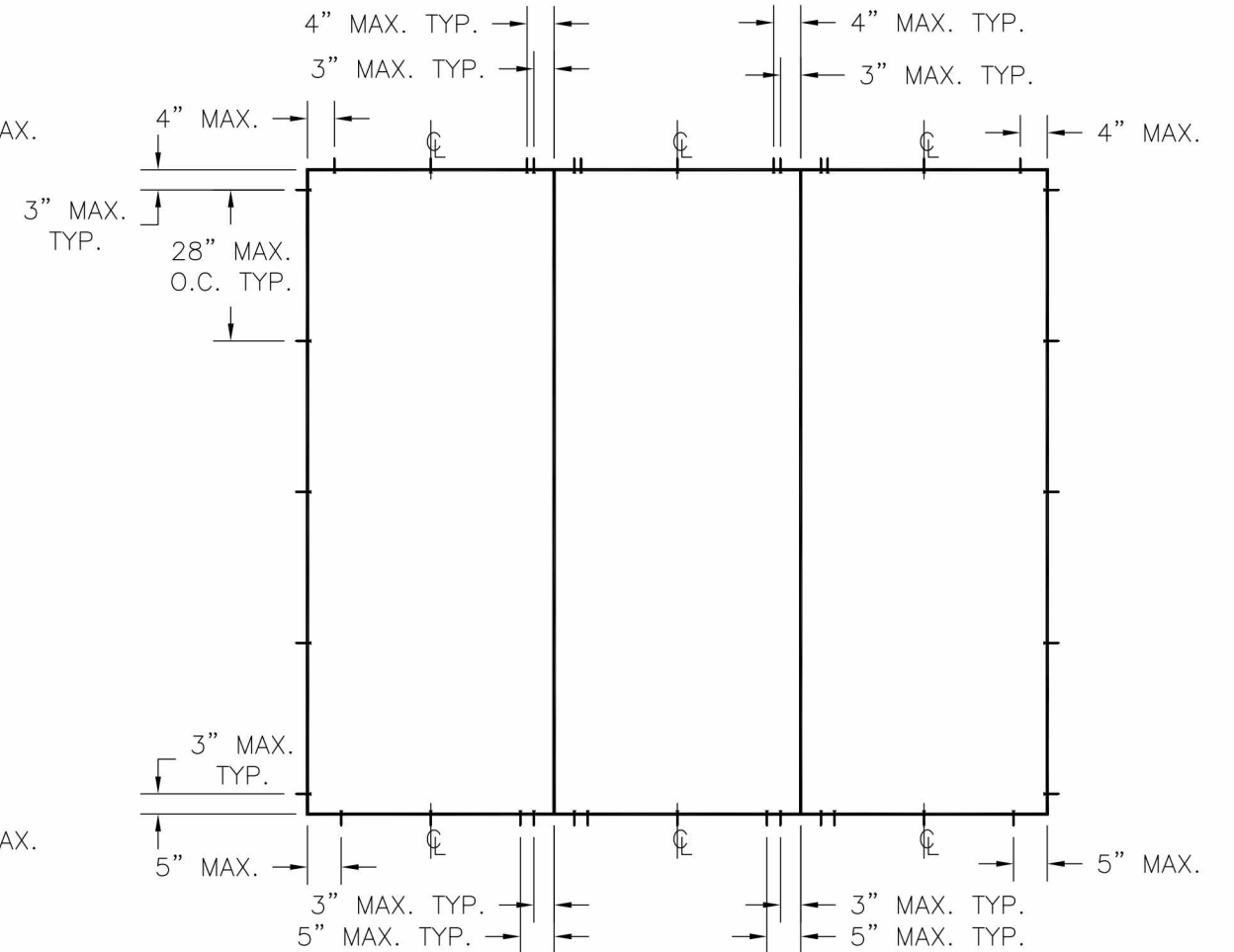
REVISIONS			
REV	DESCRIPTION	DATE	APPROVED
A	REVISED NOTES & GLAZING DETAIL	3/12/12	R.L.
B	REVISED HINGE ANCHORS	05/29/12	R.L.
C	ADDED EDGE DISTANCES	11/05/14	R.L.
D	REVISED SIDELITE INSTALLATION DETAIL	05/13/15	R.L.



SINGLE



SINGLE W/SIDELITE, DOUBLE  
OR DOUBLE FIXED



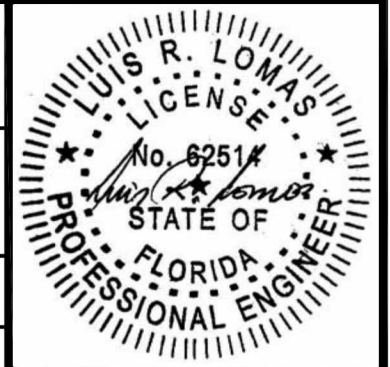
SINGLE W/SIDELITES, DOUBLE W/SIDELITE  
OR TRIPLE FIXED

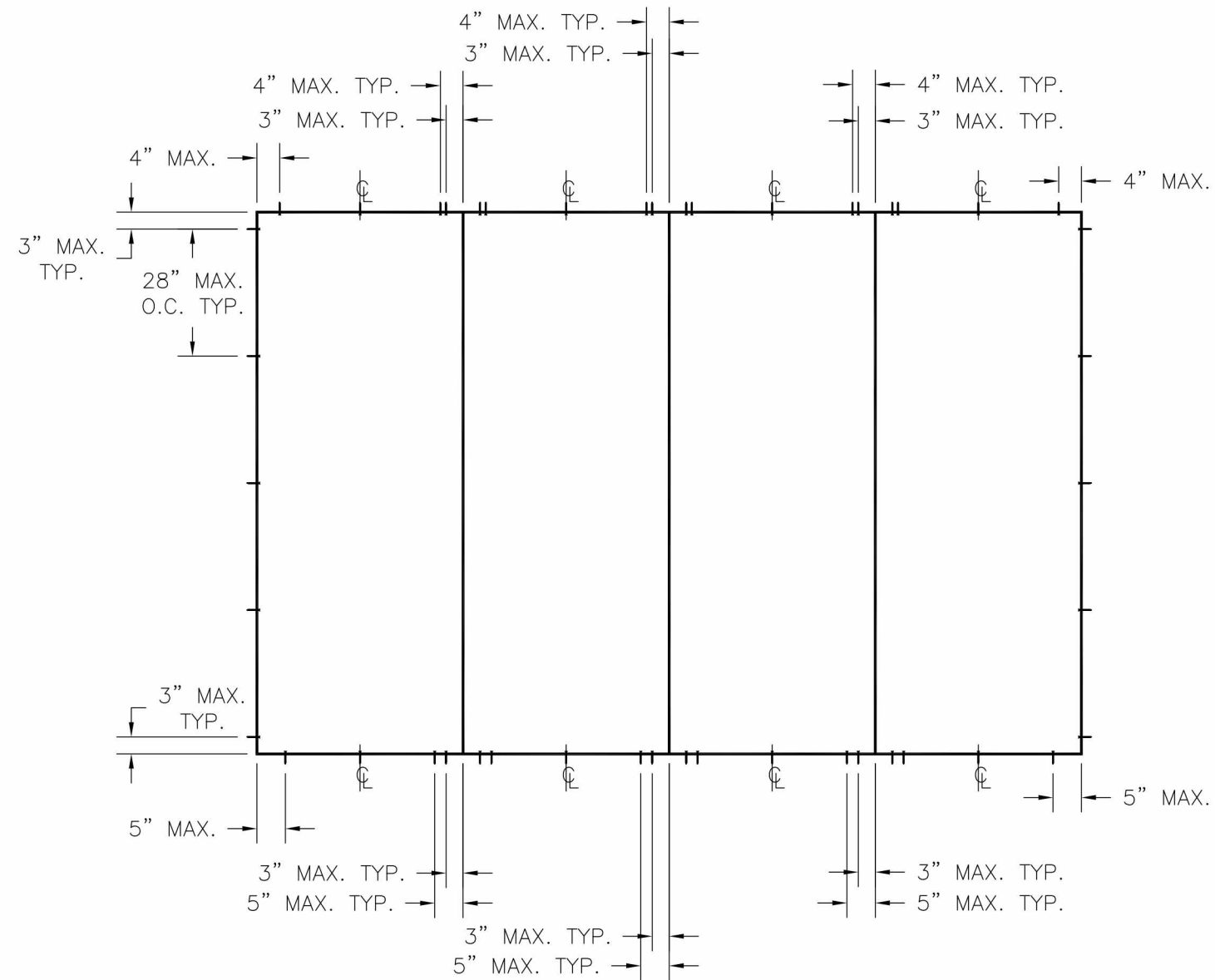
SIGNED: 02/02/2016

NAN YA PLASTICS CORP. USA  
8989 NORTH LOOP EAST  
HOUSTON, TX 77029

SERIES DISTINCTION OUT-SWING FIBERGLASS CLAD  
ENTRY DOOR W/ & W/O SIDELITES  
ANCHORING LAYOUTS

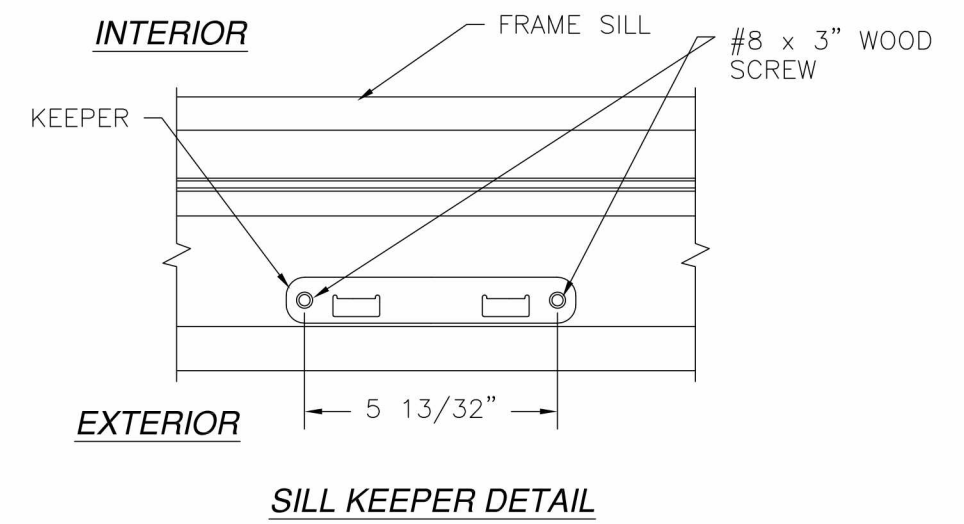
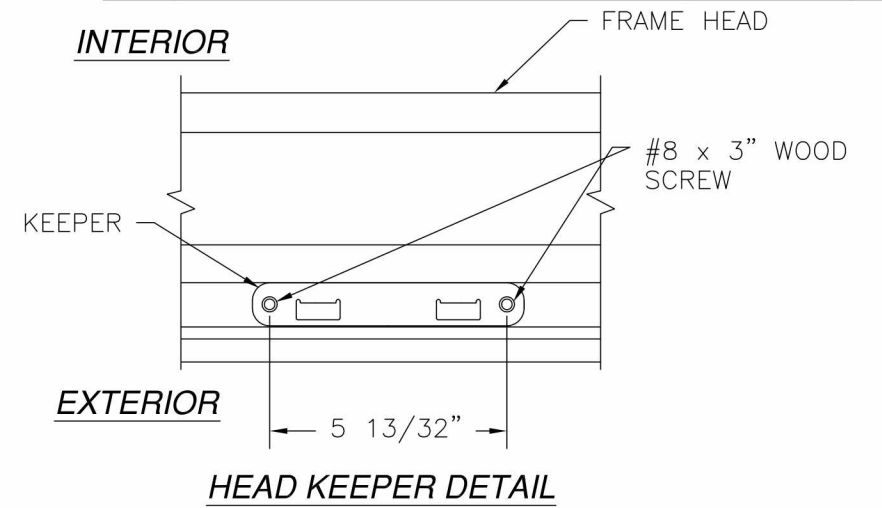
DRAWN: TJH	DWG NO. 08-00769	REV D
SCALE NTS	DATE 07/01/09	SHEET 3 OF 8





DOUBLE W/SIDELITES

REVISIONS			
REV	DESCRIPTION	DATE	APPROVED
A	REVISED NOTES & GLAZING DETAIL	3/12/12	R.L.
B	REVISED HINGE ANCHORS	05/29/12	R.L.
C	ADDED EDGE DISTANCES	11/05/14	R.L.
D	REVISED SIDELITE INSTALLATION DETAIL	05/13/15	R.L.



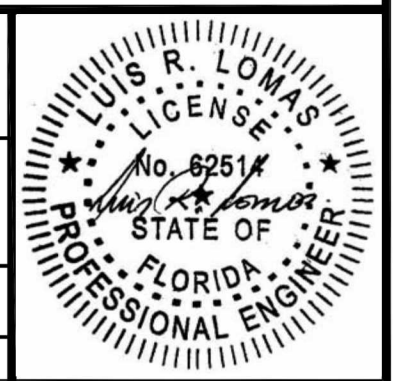
SIGNED: 02/02/2016

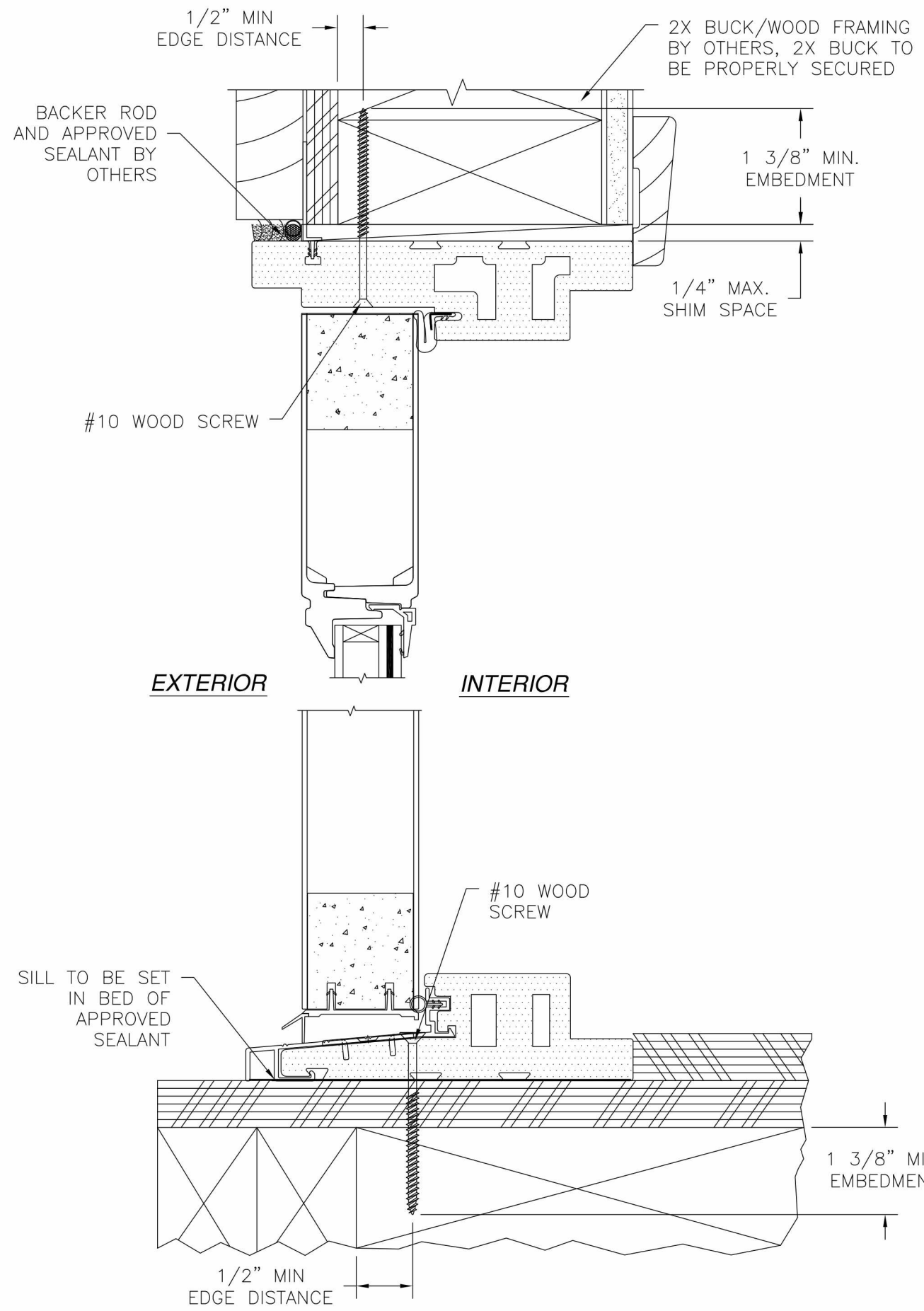
NAN YA PLASTICS CORP. USA  
 8989 NORTH LOOP EAST  
 HOUSTON, TX 77029

SERIES DISTINCTION OUT-SWING FIBERGLASS CLAD  
 ENTRY DOOR W/ & W/O SIDELITES  
 ANCHORING LAYOUT AND INSTALLATION DETAILS

DRAWN: TJH      DWG NO. 08-00769      REV D

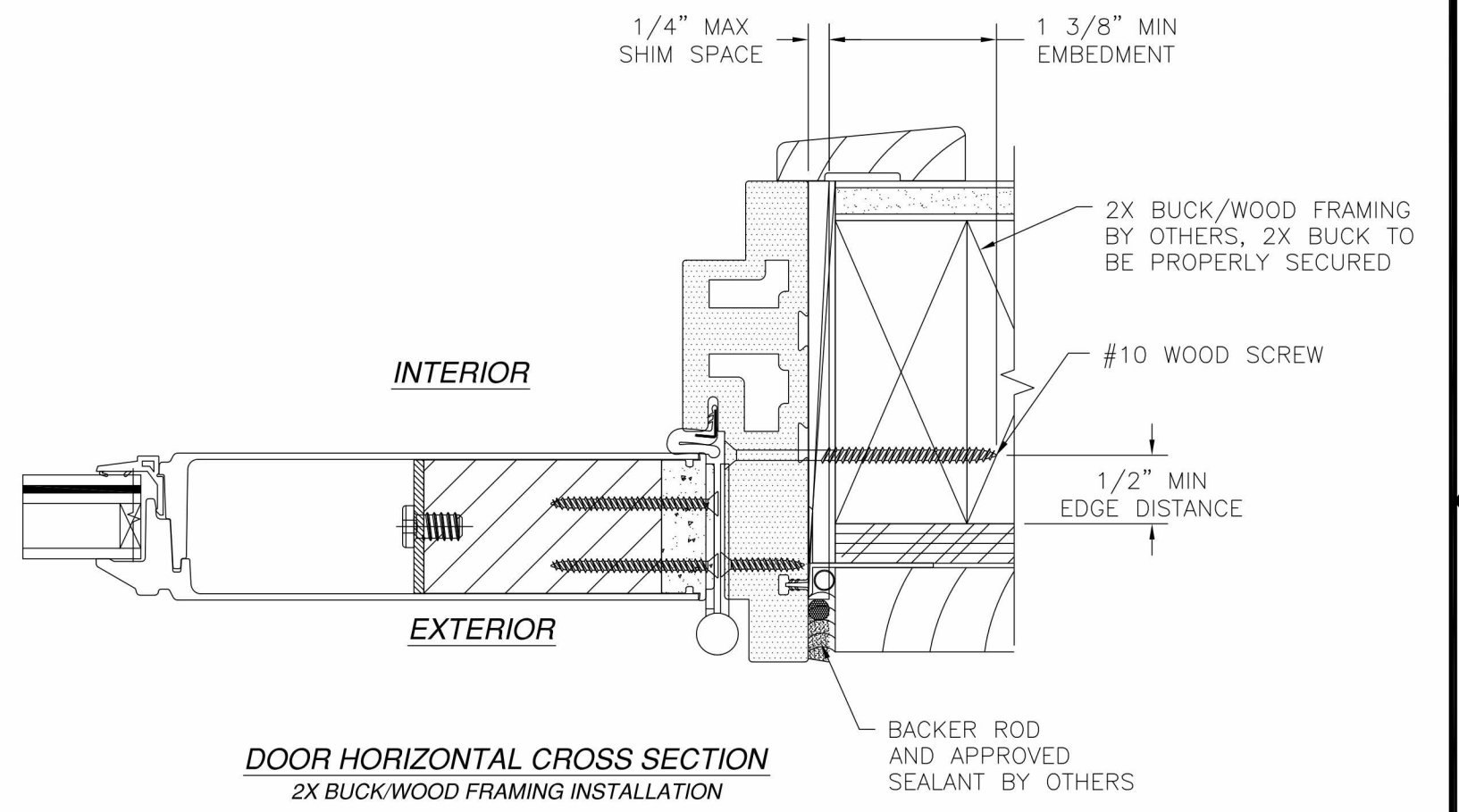
SCALE NTS      DATE 07/01/09      SHEET 4 OF 8





**DOOR VERTICAL CROSS SECTION**  
2X BUCKWOOD FRAMING INSTALLATION

REVISIONS			
REV	DESCRIPTION	DATE	APPROVED
A	REVISED NOTES & GLAZING DETAIL	3/12/12	R.L.
B	REVISED HINGE ANCHORS	05/29/12	R.L.
C	ADDED EDGE DISTANCES	11/05/14	R.L.
D	REVISED SIDELITE INSTALLATION DETAIL	05/13/15	R.L.



**DOOR HORIZONTAL CROSS SECTION**  
2X BUCKWOOD FRAMING INSTALLATION

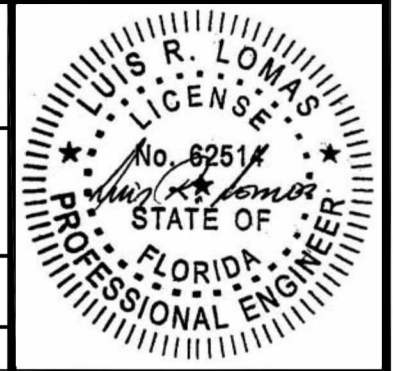
- NOTES:**
1. INTERIOR AND EXTERIOR FINISHES, BY OTHERS, NOT SHOWN FOR CLARITY.
  2. PERIMETER AND JOINT SEALANT BY OTHERS TO BE DESIGNED IN ACCORDANCE WITH ASTM E2112

SIGNED: 02/02/2016

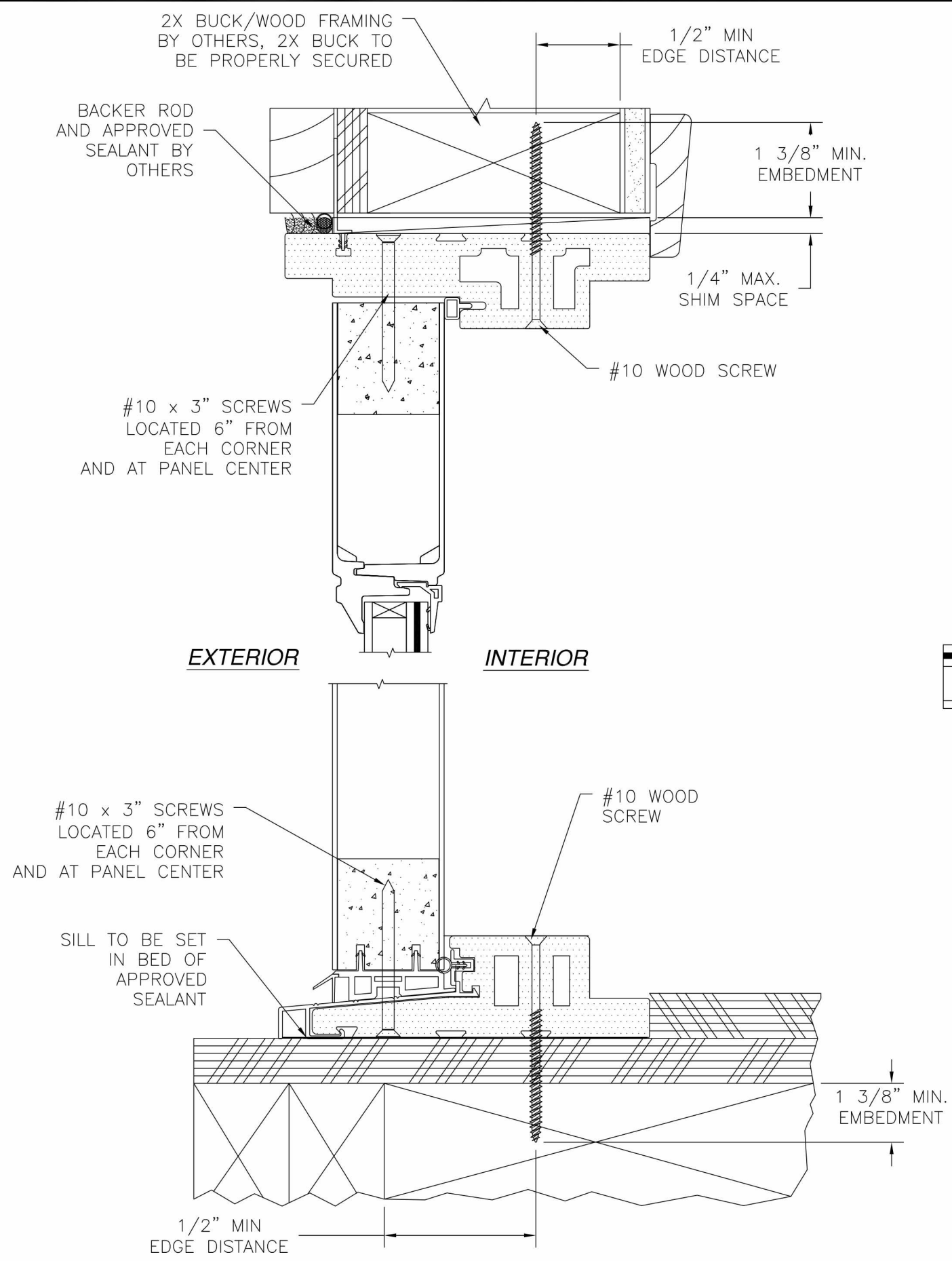
**NAN YA PLASTICS CORP. USA**  
8989 NORTH LOOP EAST  
HOUSTON, TX 77029

SERIES DISTINCTION OUT-SWING FIBERGLASS CLAD  
ENTRY DOOR W/ & W/O SIDELITES  
INSTALLATION DETAILS

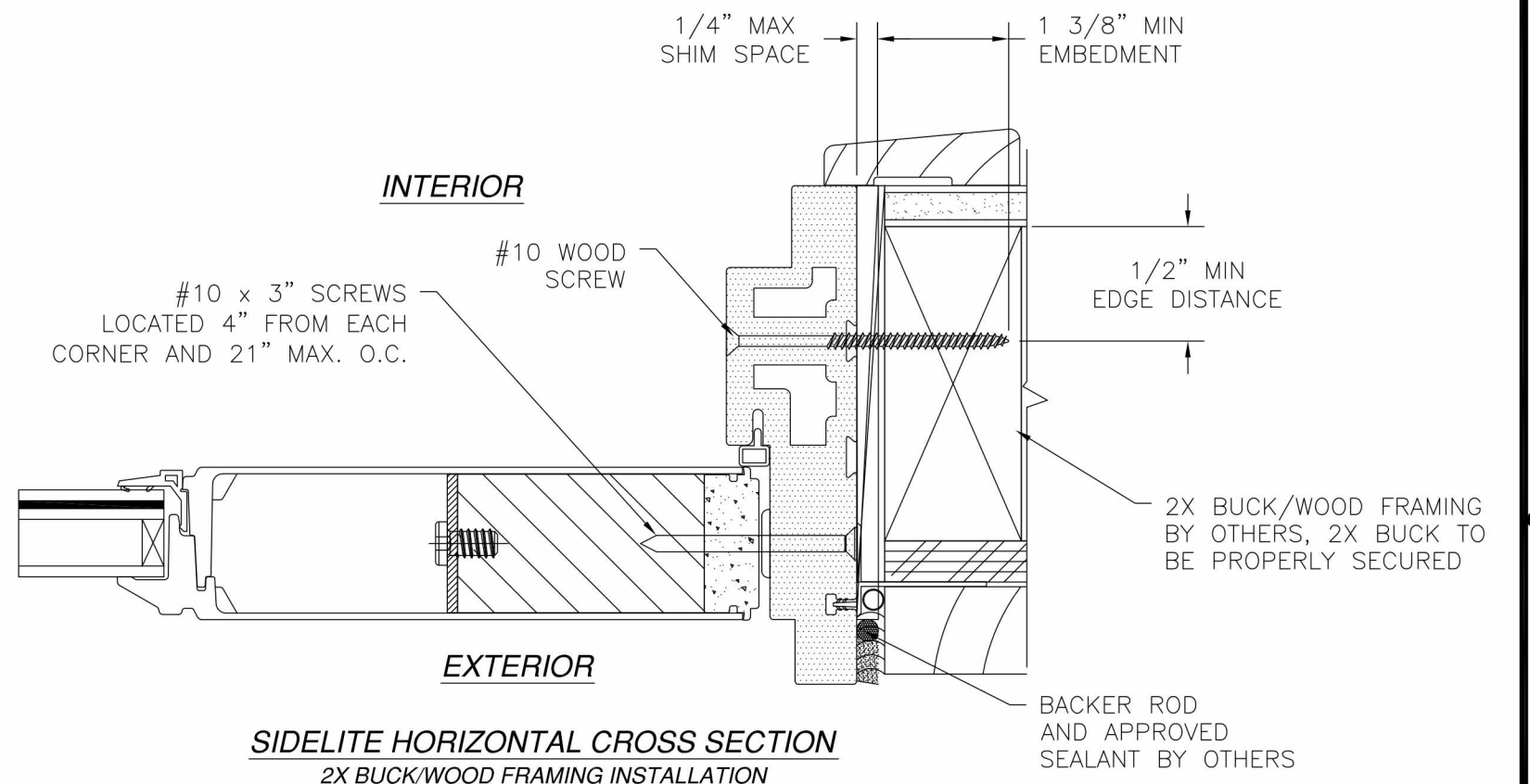
DRAWN: TJH	DWG NO. 08-00769	REV D
SCALE NTS	DATE 07/01/09	SHEET 5 OF 8



REVISIONS			
REV	DESCRIPTION	DATE	APPROVED
A	REVISED NOTES & GLAZING DETAIL	3/12/12	R.L.
B	REVISED HINGE ANCHORS	05/29/12	R.L.
C	ADDED EDGE DISTANCES	11/05/14	R.L.
D	REVISED SIDELITE INSTALLATION DETAIL	05/13/15	R.L.



**SIDELITE VERTICAL CROSS SECTION**  
2X BUCK/WOOD FRAMING INSTALLATION



**SIDELITE HORIZONTAL CROSS SECTION**  
2X BUCK/WOOD FRAMING INSTALLATION

- NOTES:
1. INTERIOR AND EXTERIOR FINISHES, BY OTHERS, NOT SHOWN FOR CLARITY.
  2. PERIMETER AND JOINT SEALANT BY OTHERS TO BE DESIGNED IN ACCORDANCE WITH ASTM E2112

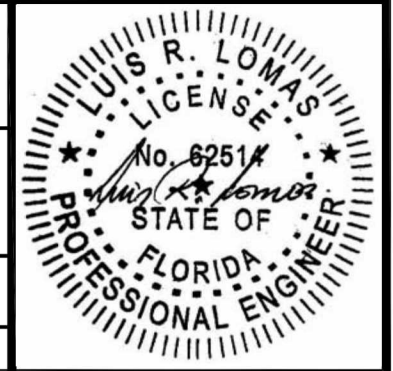
SIGNED: 02/02/2016

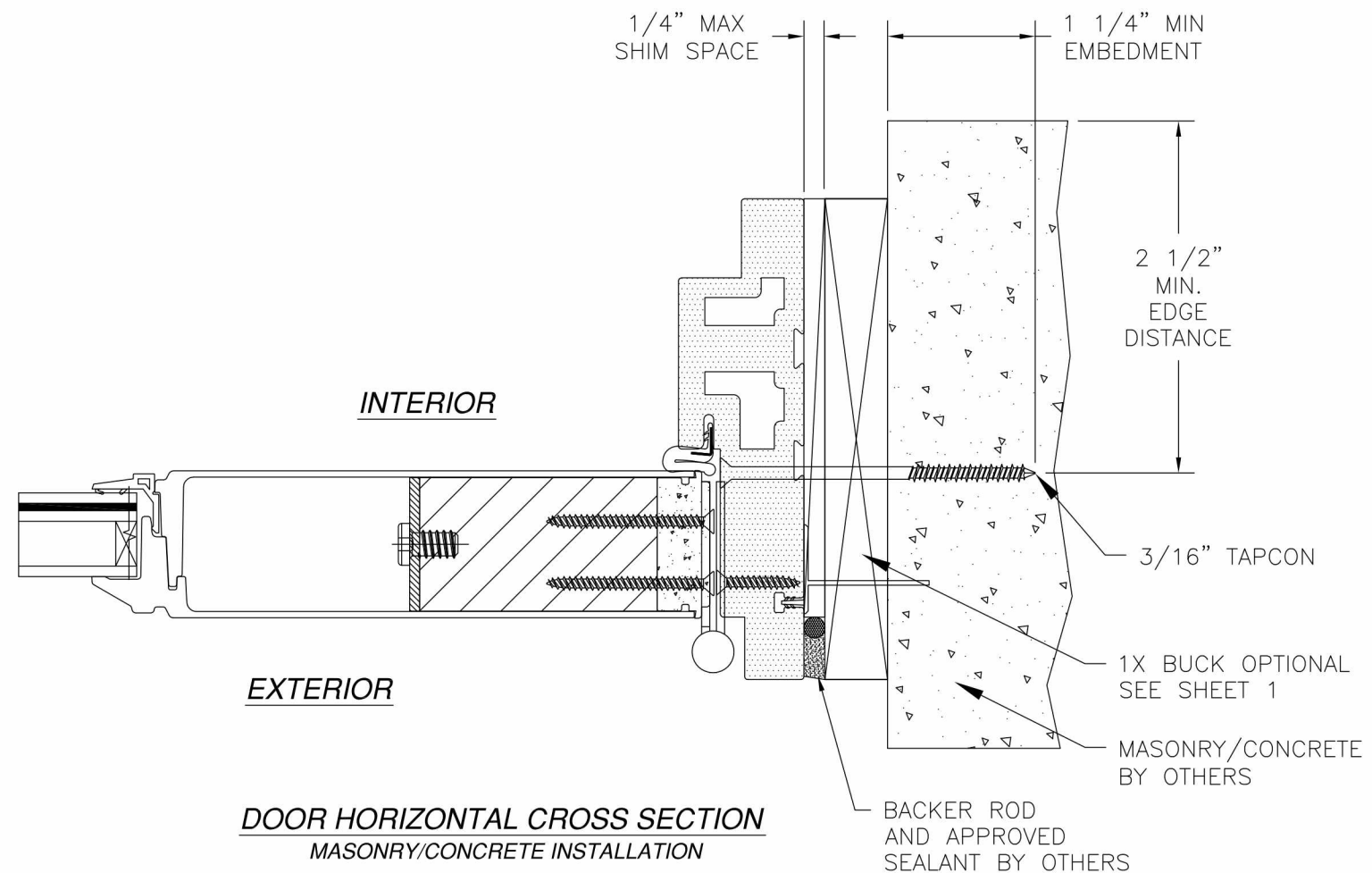
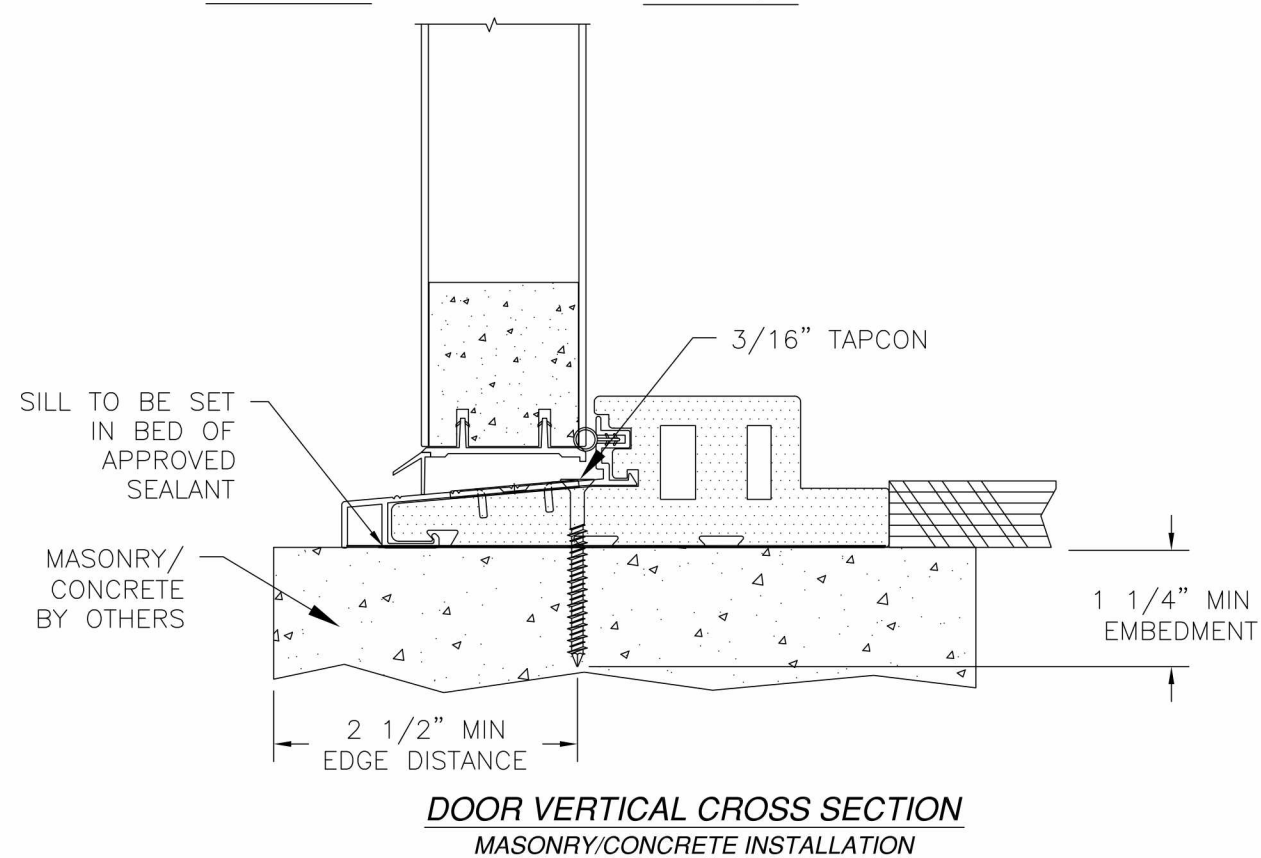
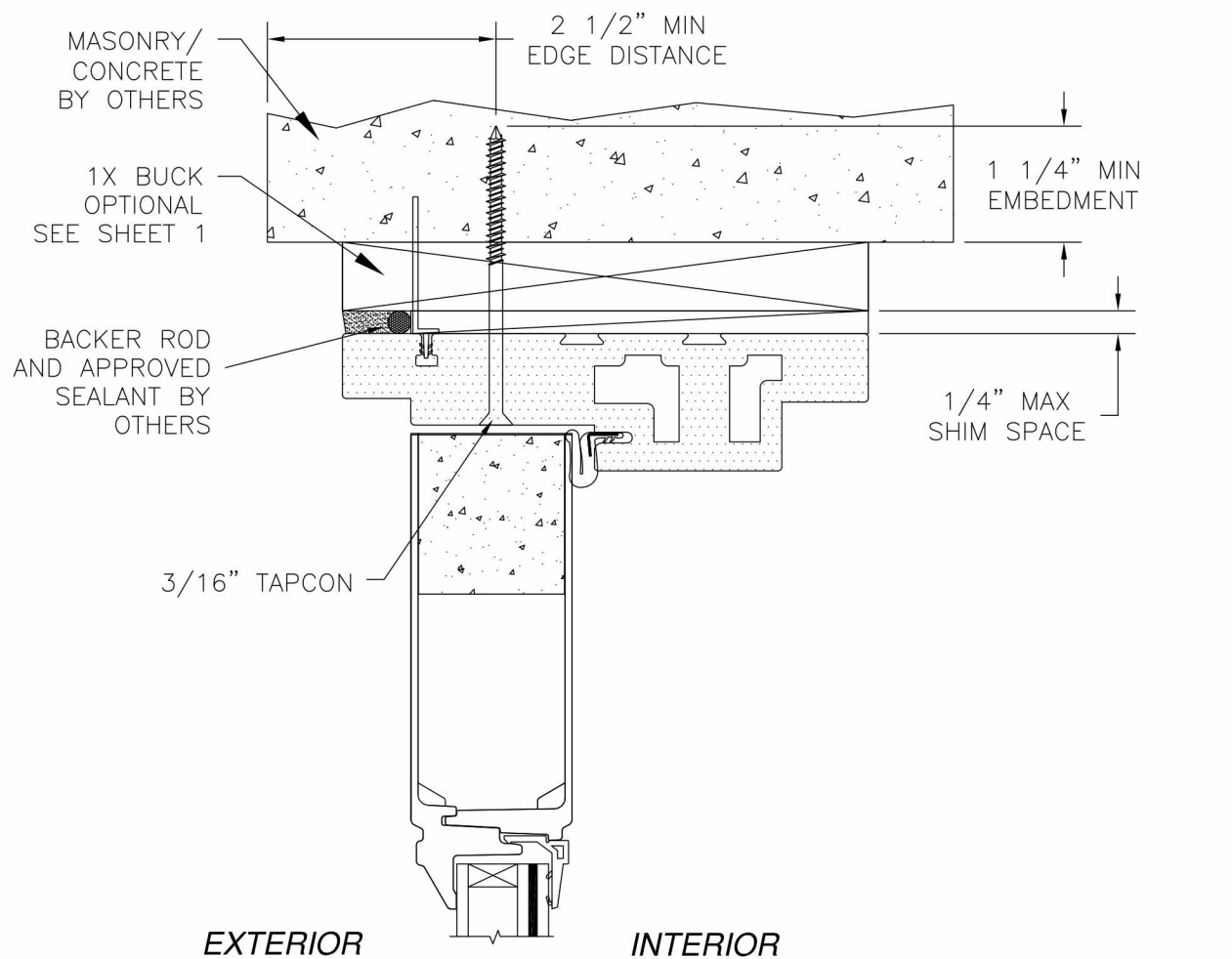
NAN YA PLASTICS CORP. USA  
8989 NORTH LOOP EAST  
HOUSTON, TX 77029

SERIES DISTINCTION OUT-SWING FIBERGLASS CLAD ENTRY DOOR W/ & W/O SIDELITES INSTALLATION DETAILS

DRAWN: TJH      DWG NO. 08-00769      REV D

SCALE NTS      DATE 07/01/09      SHEET 6 OF 8





REVISIONS			
REV	DESCRIPTION	DATE	APPROVED
A	REVISED NOTES & GLAZING DETAIL	3/12/12	R.L.
B	REVISED HINGE ANCHORS	05/29/12	R.L.
C	ADDED EDGE DISTANCES	11/05/14	R.L.
D	REVISED SIDELITE INSTALLATION DETAIL	05/13/15	R.L.

**NOTES:**  
 1. INTERIOR AND EXTERIOR FINISHES, BY OTHERS, NOT SHOWN FOR CLARITY.  
 2. PERIMETER AND JOINT SEALANT BY OTHERS TO BE DESIGNED IN ACCORDANCE WITH ASTM E2112

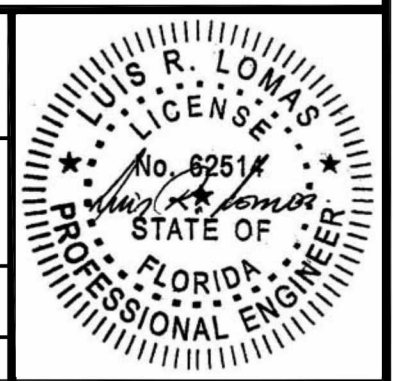
SIGNED: 02/02/2016

**NAN YA PLASTICS CORP. USA**  
 8989 NORTH LOOP EAST  
 HOUSTON, TX 77029

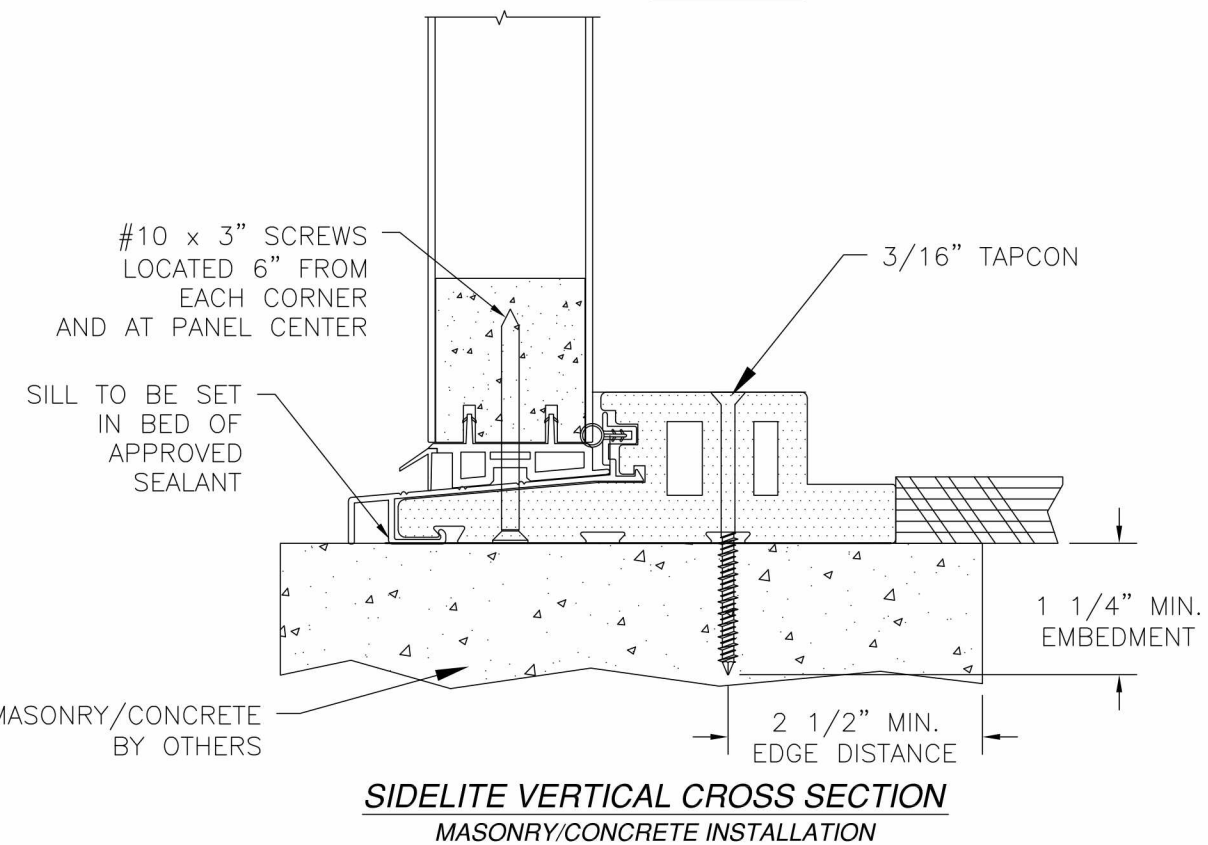
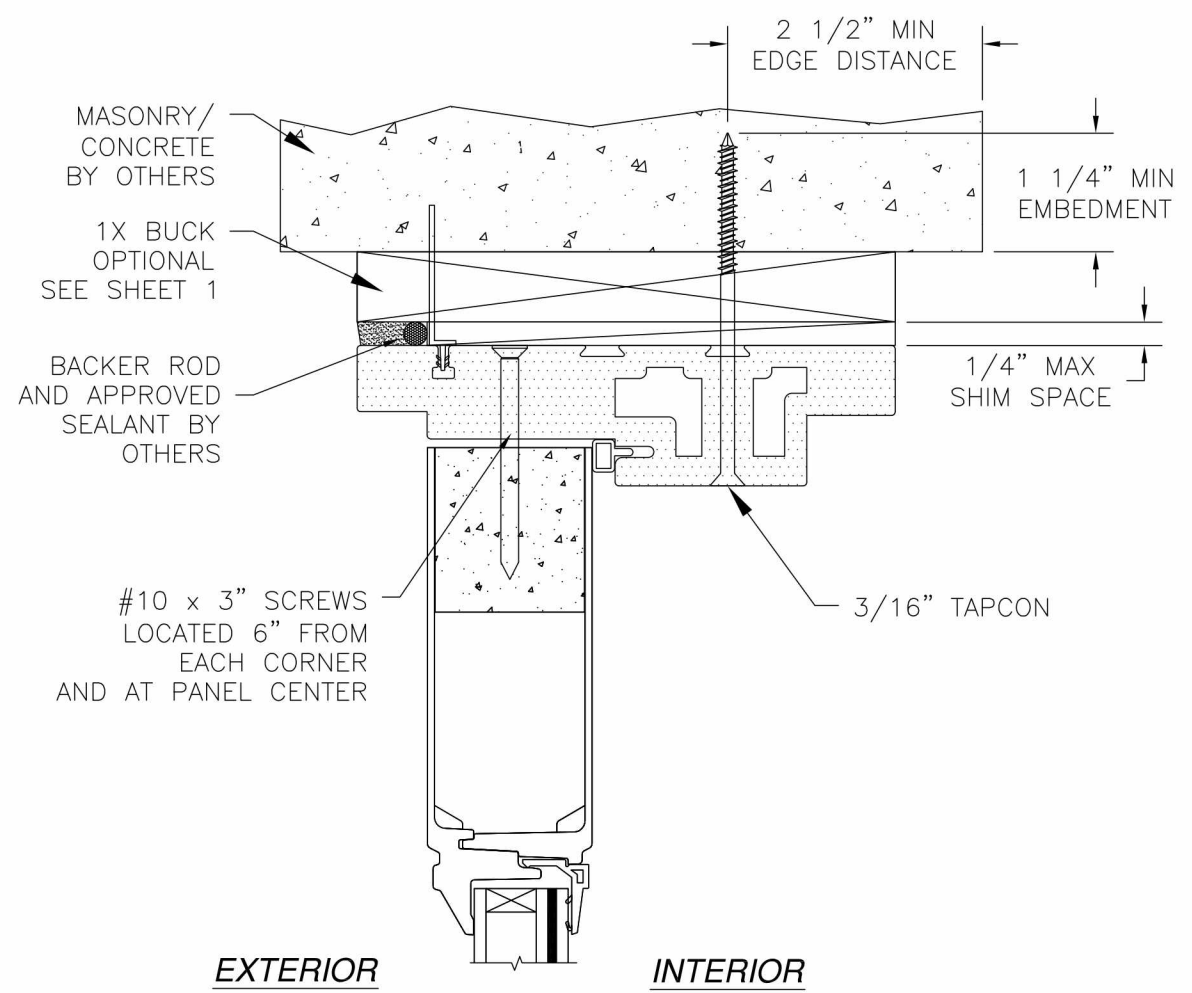
SERIES DISTINCTION OUT-SWING FIBERGLASS CLAD ENTRY DOOR W/ & W/O SIDELITES INSTALLATION DETAILS

DRAWN: TJH      DWG NO. 08-00769      REV D

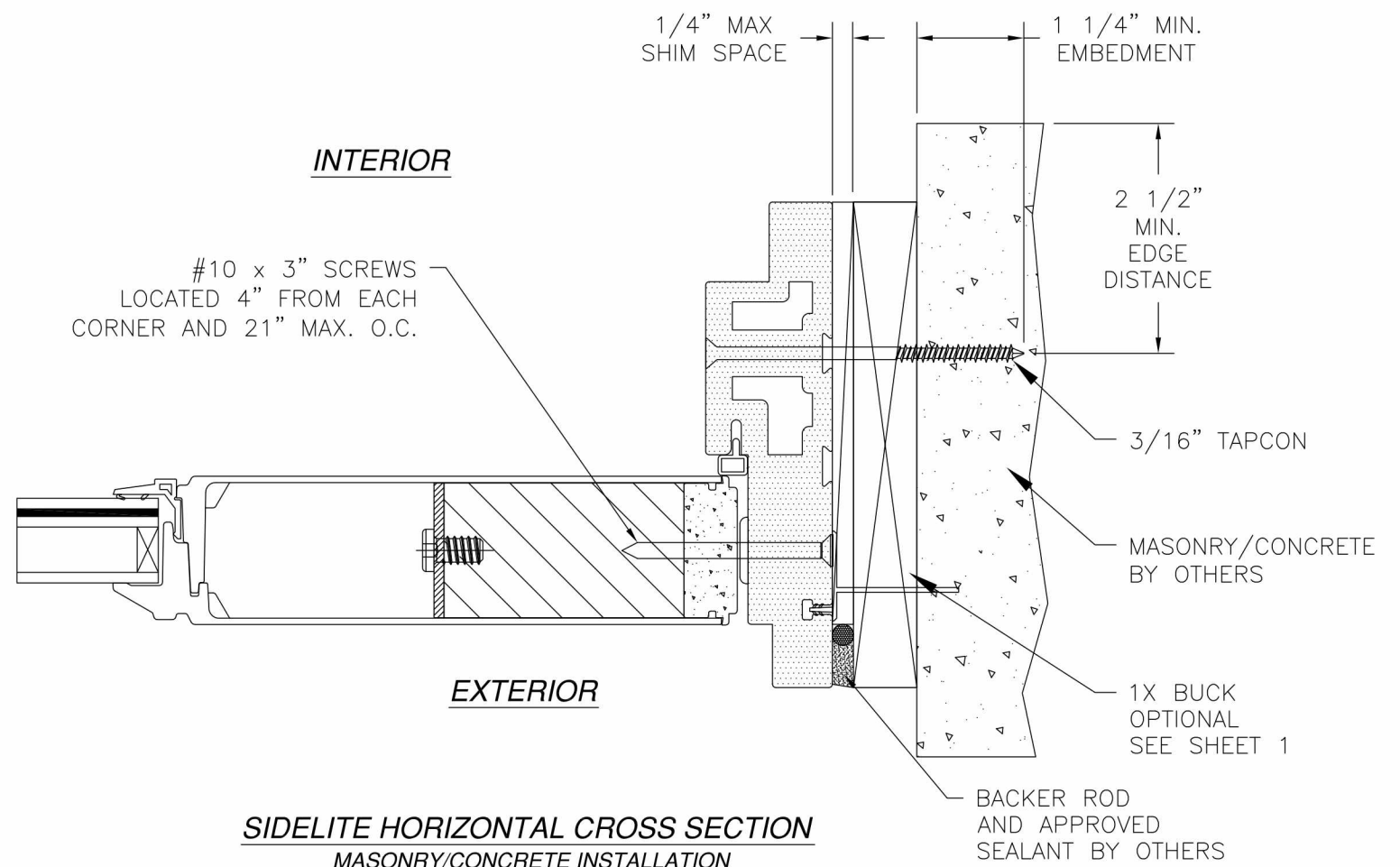
SCALE NTS      DATE 07/01/09      SHEET 7 OF 8



REVISIONS			
REV	DESCRIPTION	DATE	APPROVED
A	REVISED NOTES & GLAZING DETAIL	3/12/12	R.L.
B	REVISED HINGE ANCHORS	05/29/12	R.L.
C	ADDED EDGE DISTANCES	11/05/14	R.L.
D	REVISED SIDELITE INSTALLATION DETAIL	05/13/15	R.L.



**SIDELITE VERTICAL CROSS SECTION**  
MASONRY/CONCRETE INSTALLATION



**SIDELITE HORIZONTAL CROSS SECTION**  
MASONRY/CONCRETE INSTALLATION

- NOTES:**
1. INTERIOR AND EXTERIOR FINISHES, BY OTHERS, NOT SHOWN FOR CLARITY.
  2. PERIMETER AND JOINT SEALANT BY OTHERS TO BE DESIGNED IN ACCORDANCE WITH ASTM E2112

SIGNED: 02/02/2016

**NAN YA PLASTICS CORP. USA**  
8989 NORTH LOOP EAST  
HOUSTON, TX 77029

SERIES DISTINCTION OUT-SWING FIBERGLASS CLAD  
ENTRY DOOR W/ & W/O SIDELITES  
INSTALLATION DETAILS

DRAWN: TJH	DWG NO. 08-00769	REV D
SCALE NTS	DATE 07/01/09	SHEET 8 OF 8

