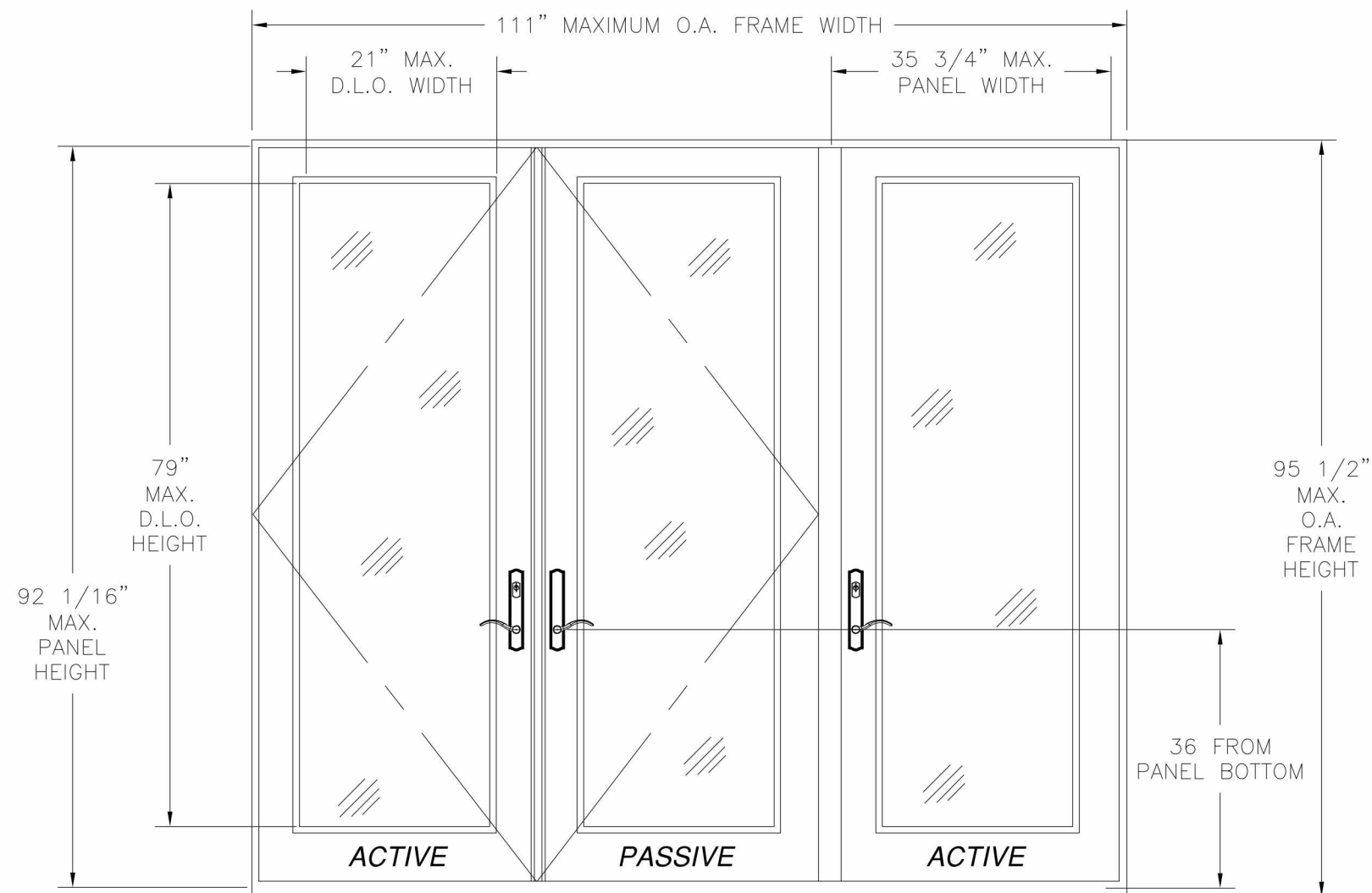


REVISIONS			
REV	DESCRIPTION	DATE	APPROVED
A	ADDED EDGE DISTANCES	11/05/14	R.L.
B	REVISED SIDELITE INSTALLATION DETAILS	06/01/15	R.L.



NOTES:

- 1) THE PRODUCT SHOWN HEREIN IS DESIGNED AND MANUFACTURED TO COMPLY WITH REQUIREMENTS OF FLORIDA BUILDING CODE.
- 2) WOOD FRAMING AND MASONRY OPENING TO BE DESIGNED AND ANCHORED TO PROPERLY TRANSFER ALL LOADS TO STRUCTURE. WOOD FRAMING OPENING IS THE RESPONSIBILITY OF THE ARCHITECT OR ENGINEER OF RECORD.
- 3) 1X BUCK OVER MASONRY/CONCRETE IS OPTIONAL. WHERE 1X BUCK IS NOT USED DISSIMILAR MATERIALS MUST BE SEPARATED WITH APPROVED COATING OR MEMBRANE. SELECTION OF COATING OR MEMBRANE IS THE RESPONSIBILITY OF THE ARCHITECT OR ENGINEER OF RECORD.
- 4) APPROVED IMPACT PROTECTIVE SYSTEM IS NOT REQUIRED FOR THIS PRODUCT IN WIND BORNE DEBRIS REGIONS.
- 5) UNITS MUST BE GLAZED PER ASTM E1300-04. SEE SHEET 2 FOR GLAZING DETAIL.
- 6) ALLOWABLE STRESS INCREASE OF 1/3 WAS NOT USED IN THE DESIGN OF THE PRODUCT SHOWN HEREIN. WIND LOAD DURATION FACTOR Cd=1.6 WAS USED FOR WOOD ANCHOR CALCULATIONS.
- 7) FRAME JAMB AND HEAD MATERIAL: CO-EXTRUDED PVC FOAM 1 1/2" THICK.
- 8) FRAME SILL MATERIAL: CO-EXTRUDED PVC FOAM 2" THICK WITH ALUMINUM CLADDING .063" THICK.
- 9) DOOR PANEL SIDELITE MATERIAL: .075" THICK FIBERGLASS SKIN WITH PVC FOAM TOP AND BOTTOM RAILS, AND PVC FOAM VERTICAL STILES WITH PINE REINFORCEMENTS AND POLYURETHANE FOAM CORE.
- 10) APPROVED CONFIGURATIONS: X, XX, XXX. SEE SHEET 2.
- 11) HINGE LOCATION: FROM TOP OF PANEL DOWN AT 7 3/4", 33 1/4", 58 3/4" AND 84 5/16".

**SERIES 9'0 x 8'0 FIBERGLASS IN-SWING GLAZED DOUBLE DOOR W/ SIDELITE**  
EXTERIOR VIEW

DESIGN PRESSURE RATING	IMPACT RATING
±50PSF	LARGE AND SMALL MISSILE IMPACT

MISSILE LEVEL D WIND ZONE 3  
WHERE WATER RESISTANCE IS NOT REQUIRED

DESIGN PRESSURE RATING	IMPACT RATING
+25.0 PSF -50.0 PSF	LARGE AND SMALL MISSILE IMPACT

MISSILE LEVEL D WIND ZONE 3  
WHERE WATER RESISTANCE IS REQUIRED

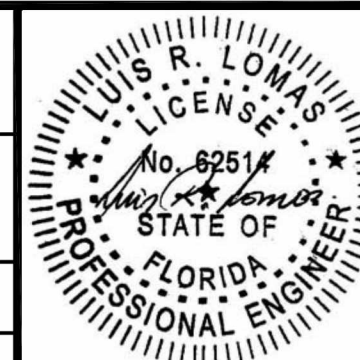
TABLE OF CONTENTS	
SHEET NO.	DESCRIPTION
1	ELEVATION AND NOTES
2	ADDITIONAL CONFIGURATIONS AND HARDWARE
3	ANCHORING LAYOUTS AND NOTES
6 - 9	INSTALLATION DETAILS
5	ASTRAGAL AND MULLION DETAILS

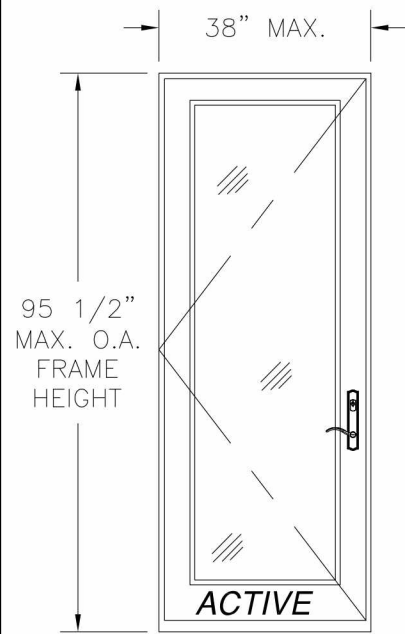
**NAN YA PLASTICS CORP. USA**  
8989 NORTH LOOP EAST  
HOUSTON, TX 77029

SERIES 9'0 x 8'0 FIBERGLASS IN-SWING GLAZED  
DOUBLE DOOR W/ AND W/O SIDELITES  
XXX ELEVATION AND NOTES

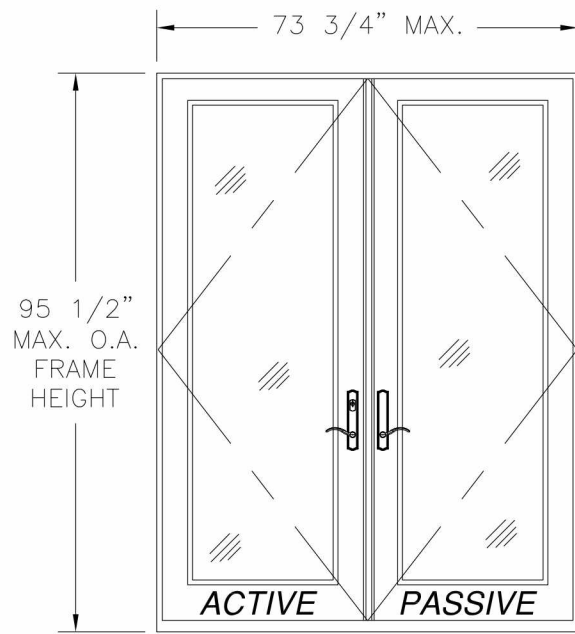
DRAWN: TJH	DWG NO. 08-01165	REV B
SCALE NTS	DATE 11/03/10	SHEET 1 OF 8

SIGNED: 06/03/2015

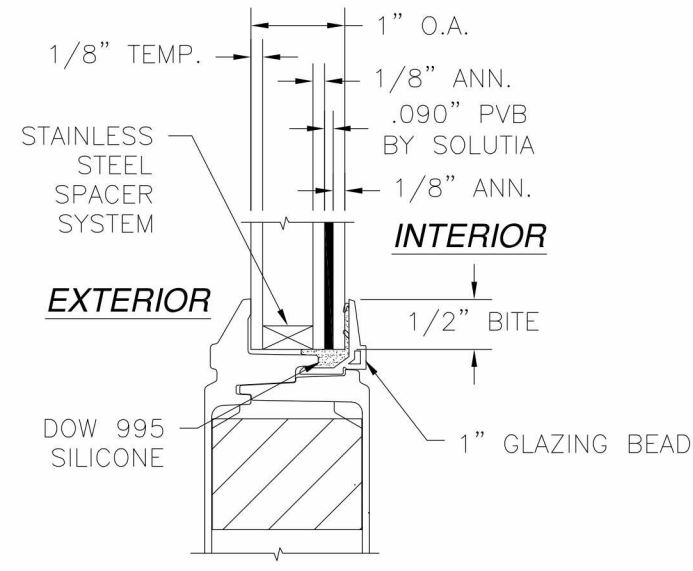




**SINGLE**  
EXTERIOR VIEW



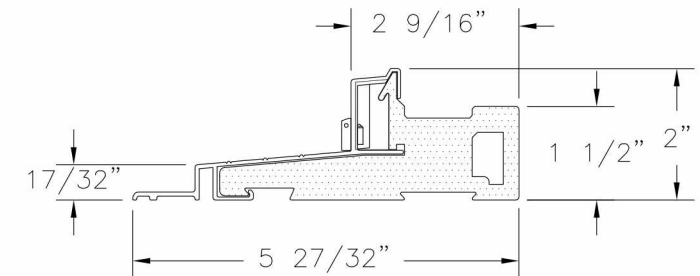
**DOUBLE**  
EXTERIOR VIEW



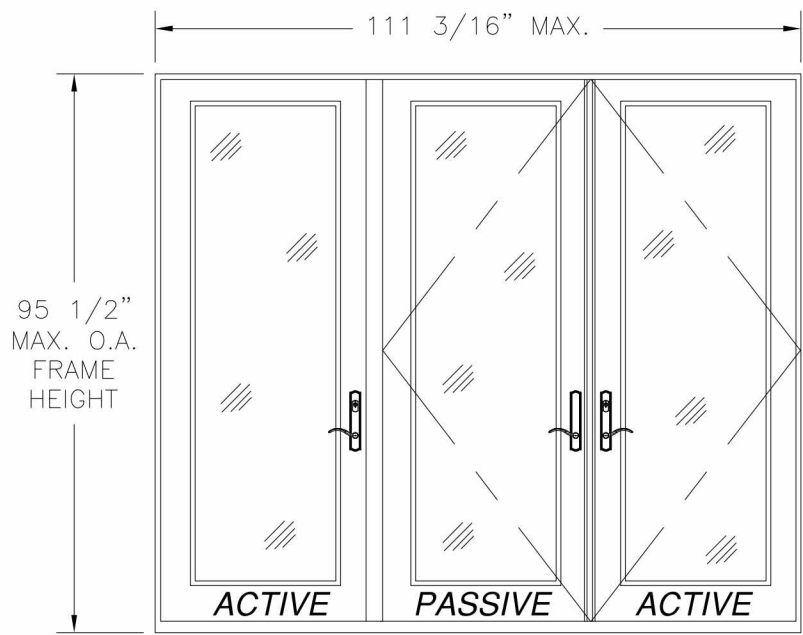
**GLAZING DETAIL**

REVISIONS			
REV	DESCRIPTION	DATE	APPROVED
A	ADDED EDGE DISTANCES	11/05/14	R.L.
B	REVISED SIDELITE INSTALLATION DETAILS	06/01/15	R.L.

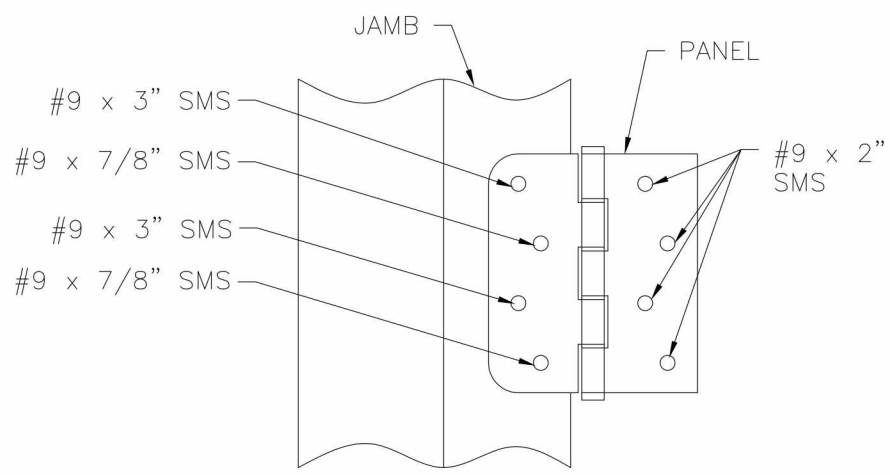
HARDWARE SCHEDULE	
A.	3-POINT LOCK HANDLE ASSEMBLY NINGBO MICOTA LOCKS
B.	(4) 4" x 4" BUTT HINGES BY WENZHOU LONGTAI HINGES
C.	EXTRUDED ALUMINUM & PVC FOAM ASTRAGAL BY NAN YA PLASTICS
D.	ALUMINUM CLAD WHITE PINE MULLION BY NAN YA PLASTICS



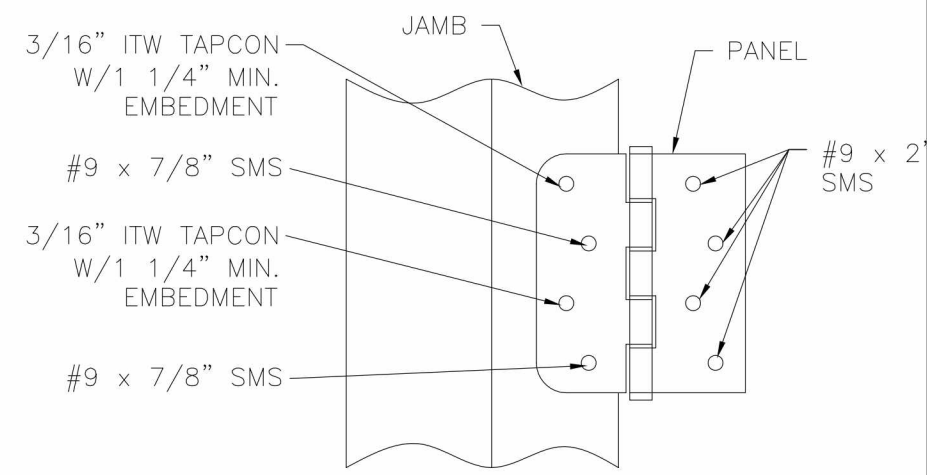
**INSWING DOOR SILL DETAIL**



**TRIPLE**  
EXTERIOR VIEW



**HINGE DETAIL**  
2X BUCK/WOOD FRAMING INSTALLATION



**HINGE DETAIL**  
MASONRY/CONCRETE INSTALLATION

SIGNED: 06/03/2015

NOTE:  
APPROVED CONFIGURATIONS ARE SHOWN AS LEFT HAND ACTIVE, RIGHT HAND ACTIVE ALSO APPROVED.

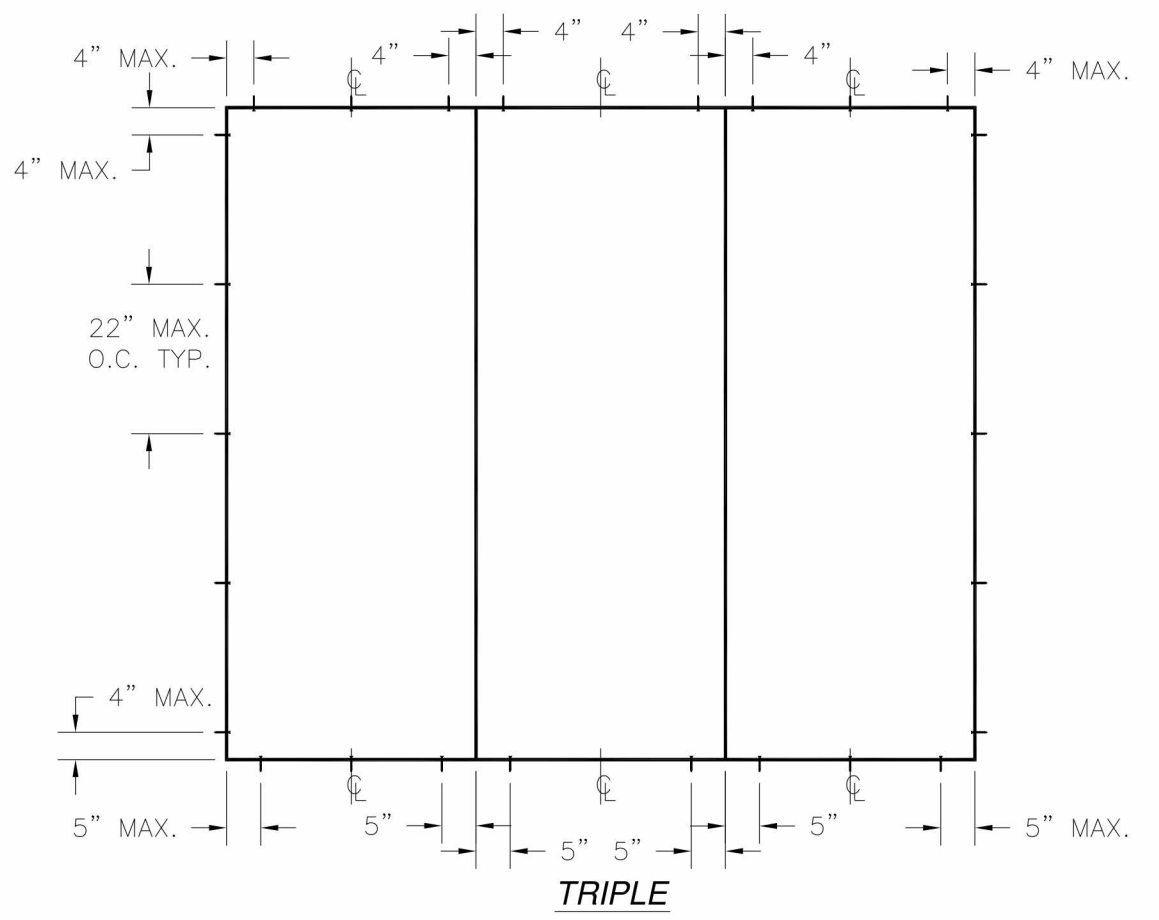
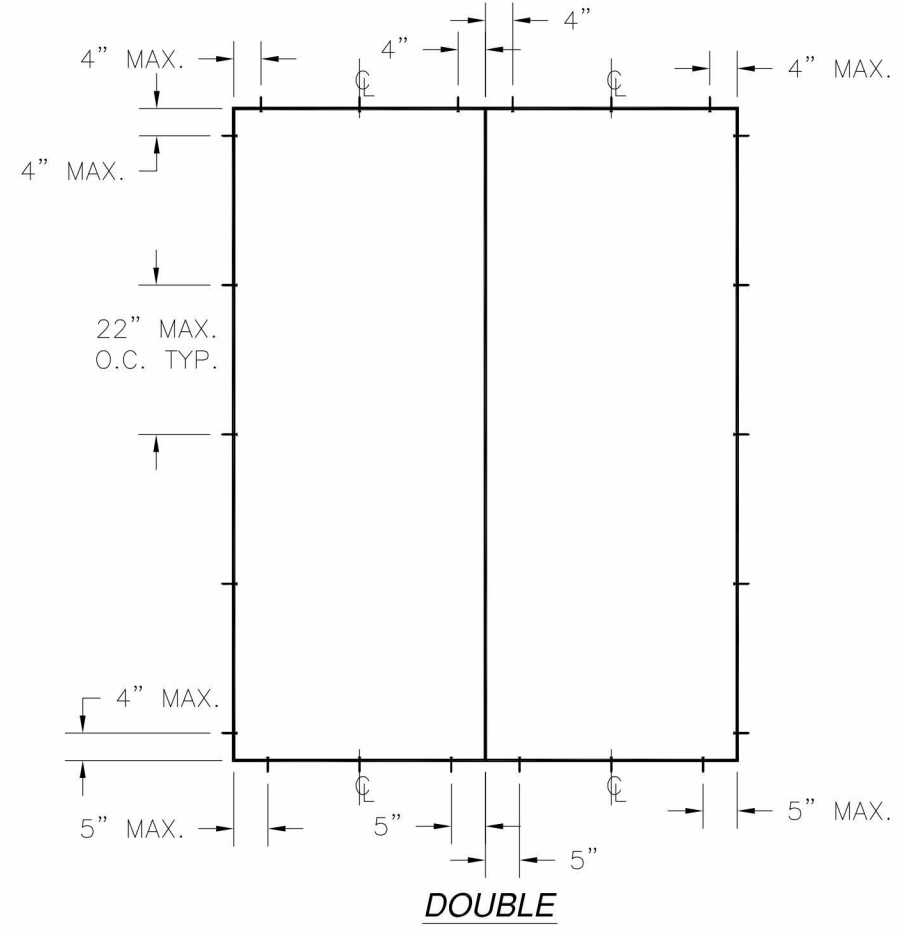
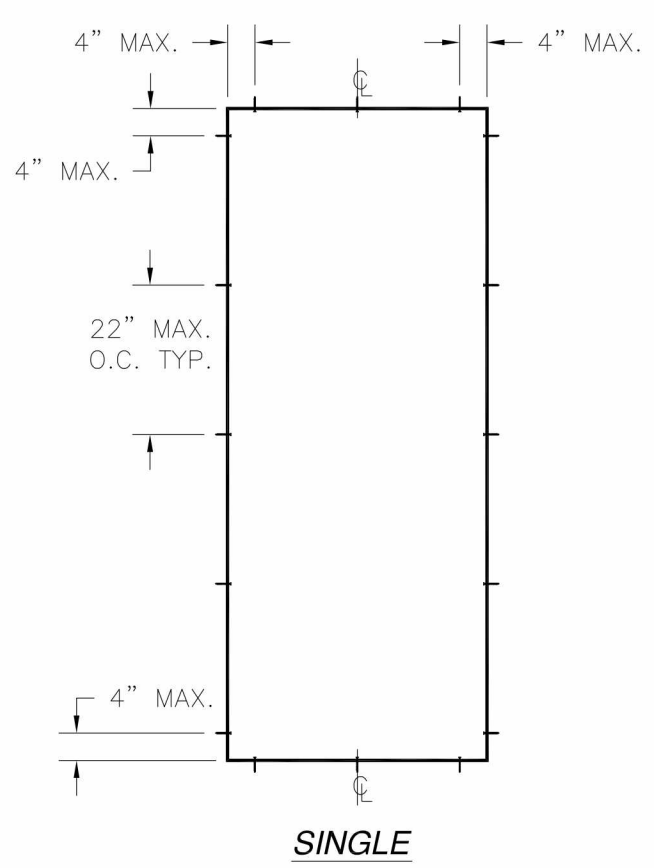
**NAN YA PLASTICS CORP. USA**  
8989 NORTH LOOP EAST  
HOUSTON, TX 77029

SERIES 9'0 x 8'0 FIBERGLASS IN-SWING GLAZED  
DOUBLE DOOR W/ AND W/O SIDELITES  
ADDITIONAL CONFIGURATIONS AND HARDWARE

DRAWN: TJH	DWG NO. 08-01165	REV B
SCALE NTS	DATE 11/03/10	SHEET 2 OF 8



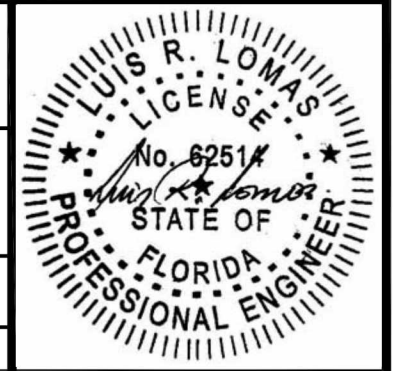
REVISIONS			
REV	DESCRIPTION	DATE	APPROVED
A	ADDED EDGE DISTANCES	11/05/14	R.L.
B	REVISED SIDELITE INSTALLATION DETAILS	06/01/15	R.L.



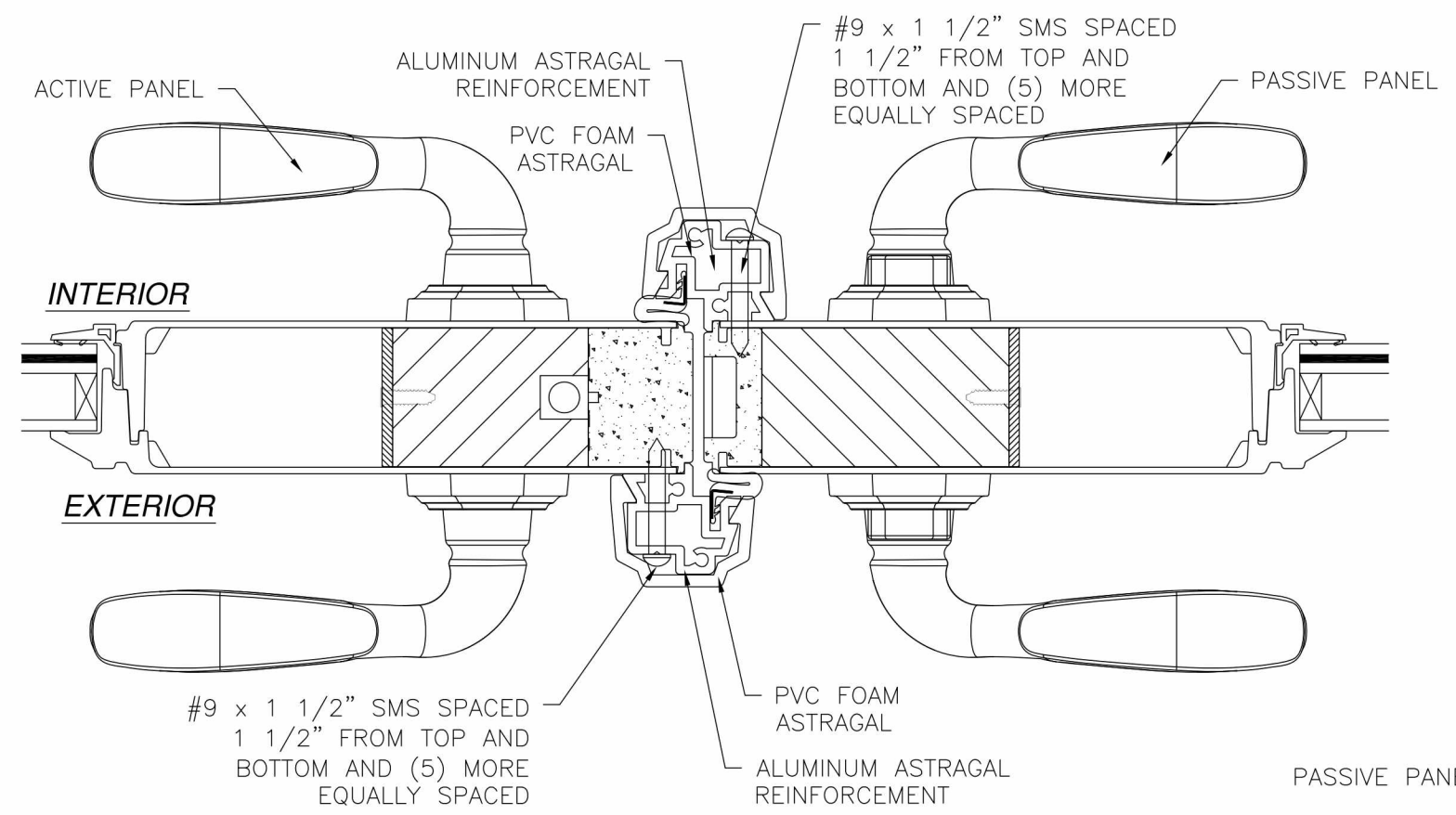
- ANCHORING NOTES:
1. SHIM AS REQUIRED AT EACH INSTALLATION ANCHOR WITH LOAD BEARING SHIM. SHIM WHERE SPACE OF 1/16" OR GREATER OCCURS. MAXIMUM ALLOWABLE SHIM STACK TO BE 1/4".
  2. FOR ANCHORING INTO WOOD FRAMING OR 2X BUCK USE #10 WOOD SCREWS WITH SUFFICIENT LENGTH TO ACHIEVE A 1 3/8" MINIMUM EMBEDMENT INTO SUBSTRATE. LOCATE ANCHORS AS SHOWN IN ELEVATIONS AND INSTALLATION DETAILS.
  3. FOR ANCHORING INTO MASONRY/CONCRETE USE 3/16" TAPCONS WITH SUFFICIENT LENGTH TO ACHIEVE A 1 1/4" MINIMUM EMBEDMENT INTO SUBSTRATE WITH 2 1/2" MINIMUM EDGE DISTANCE. LOCATE ANCHORS AS SHOWN IN ELEVATIONS AND INSTALLATION DETAILS.
  4. ALL FASTENERS TO BE CORROSION RESISTANT.
  5. INSTALLATION ANCHORS SHALL BE INSTALLED IN ACCORDANCE WITH ANCHOR MANUFACTURER'S INSTALLATION INSTRUCTIONS AND ANCHORS SHALL NOT BE USED IN SUBSTRATES WITH STRENGTHS LESS THAN THE MINIMUM STRENGTH SPECIFIED BELOW:
    - A. WOOD - MINIMUM SPECIFIC GRAVITY OF G=0.42
    - B. CONCRETE - MINIMUM COMPRESSIVE STRENGTH OF 3,192 PSI.
    - C. MASONRY - STRENGTH CONFORMANCE TO ASTM C-90, GRADE N, TYPE 1 (OR GREATER).

SIGNED: 06/03/2015

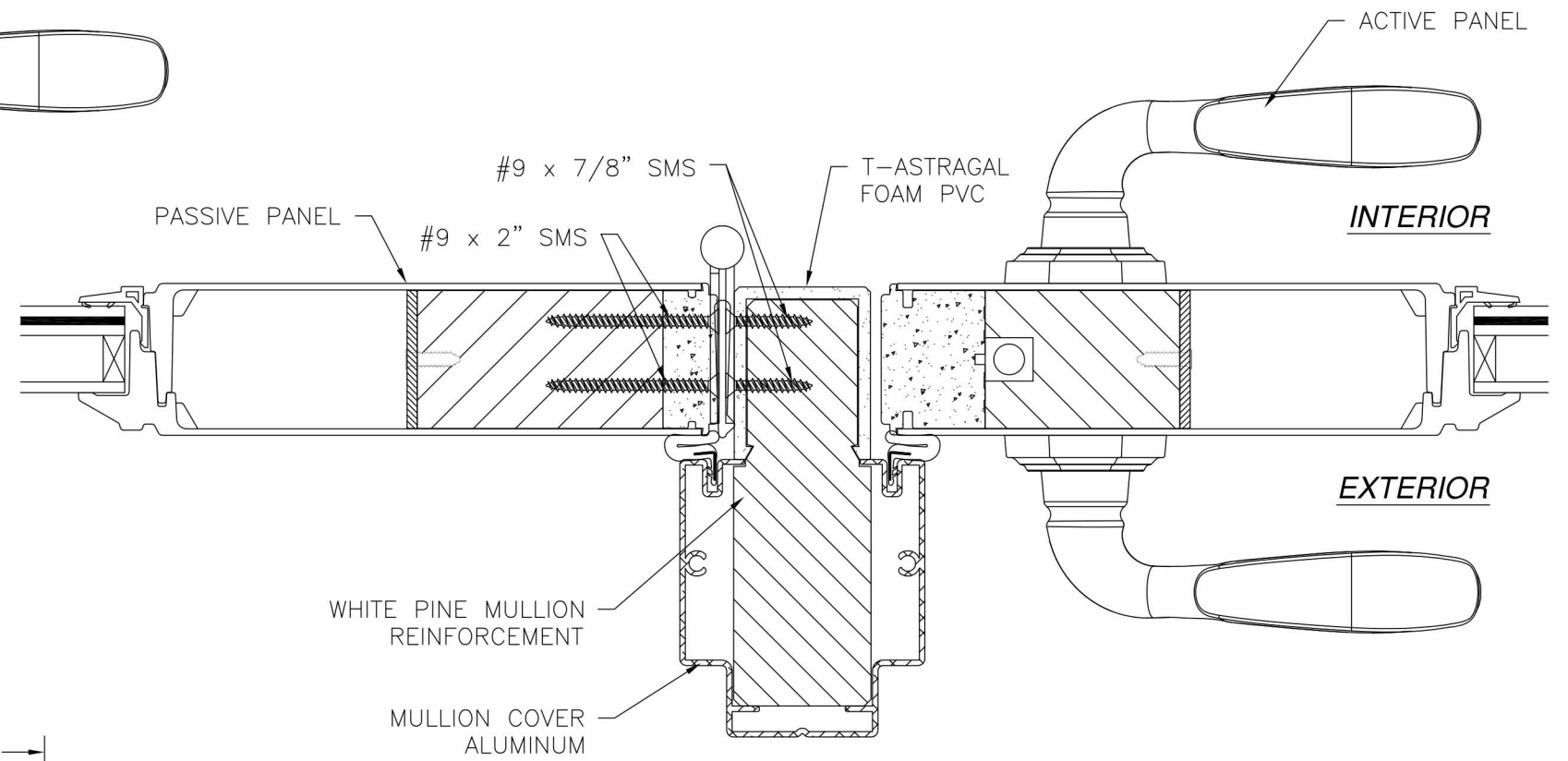
NAN YA PLASTICS CORP. USA 8989 NORTH LOOP EAST HOUSTON, TX 77029		
SERIES 9'0 x 8'0 FIBERGLASS IN-SWING GLAZED DOUBLE DOOR W/ AND W/O SIDELITES ANCHORING LAYOUTS AND NOTES		
DRAWN: TJH	DWG NO. 08-01165	REV A
SCALE NTS	DATE 11/03/10	SHEET 3 OF 8



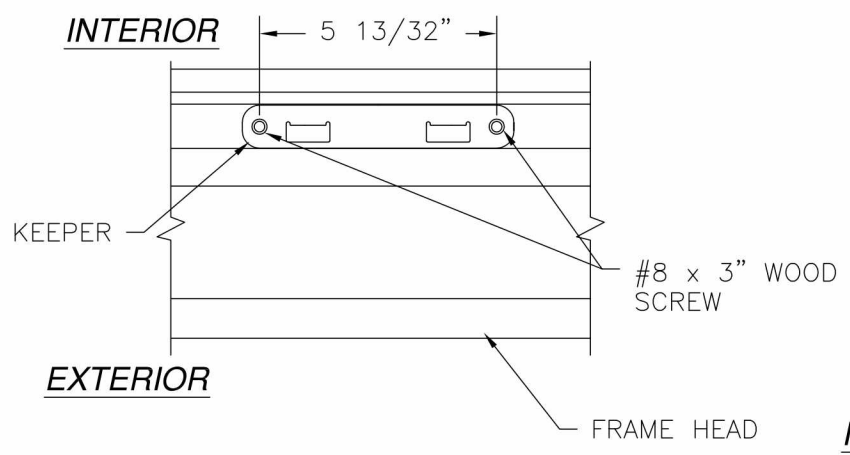
REVISIONS			
REV	DESCRIPTION	DATE	APPROVED
A	ADDED EDGE DISTANCES	11/05/14	R.L.
B	REVISED SIDELITE INSTALLATION DETAILS	06/01/15	R.L.



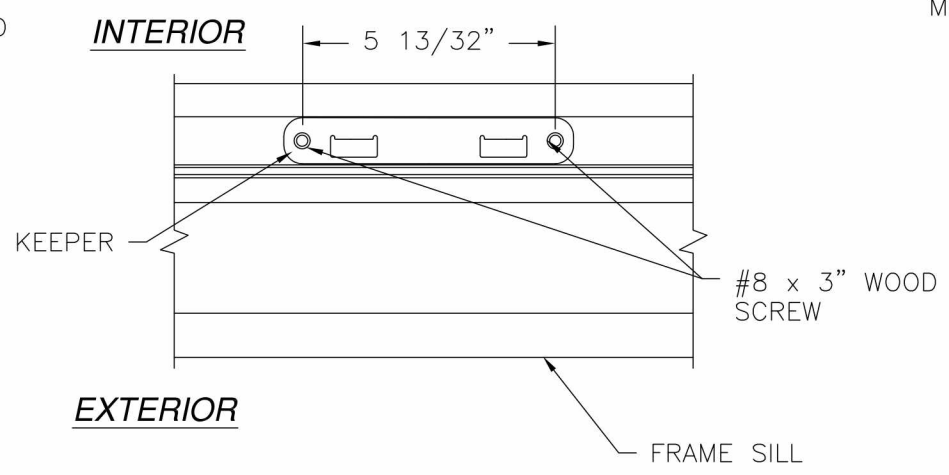
**HORIZONTAL CROSS SECTION  
ASTRAGAL DETAIL**



**HORIZONTAL CROSS SECTION  
MULLION DETAIL**



**HEAD KEEPER DETAIL**



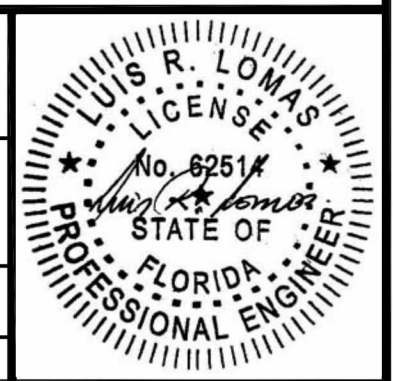
**SILL KEEPER DETAIL**

SIGNED: 06/03/2015

**NAN YA PLASTICS CORP. USA**  
 8989 NORTH LOOP EAST  
 HOUSTON, TX 77029

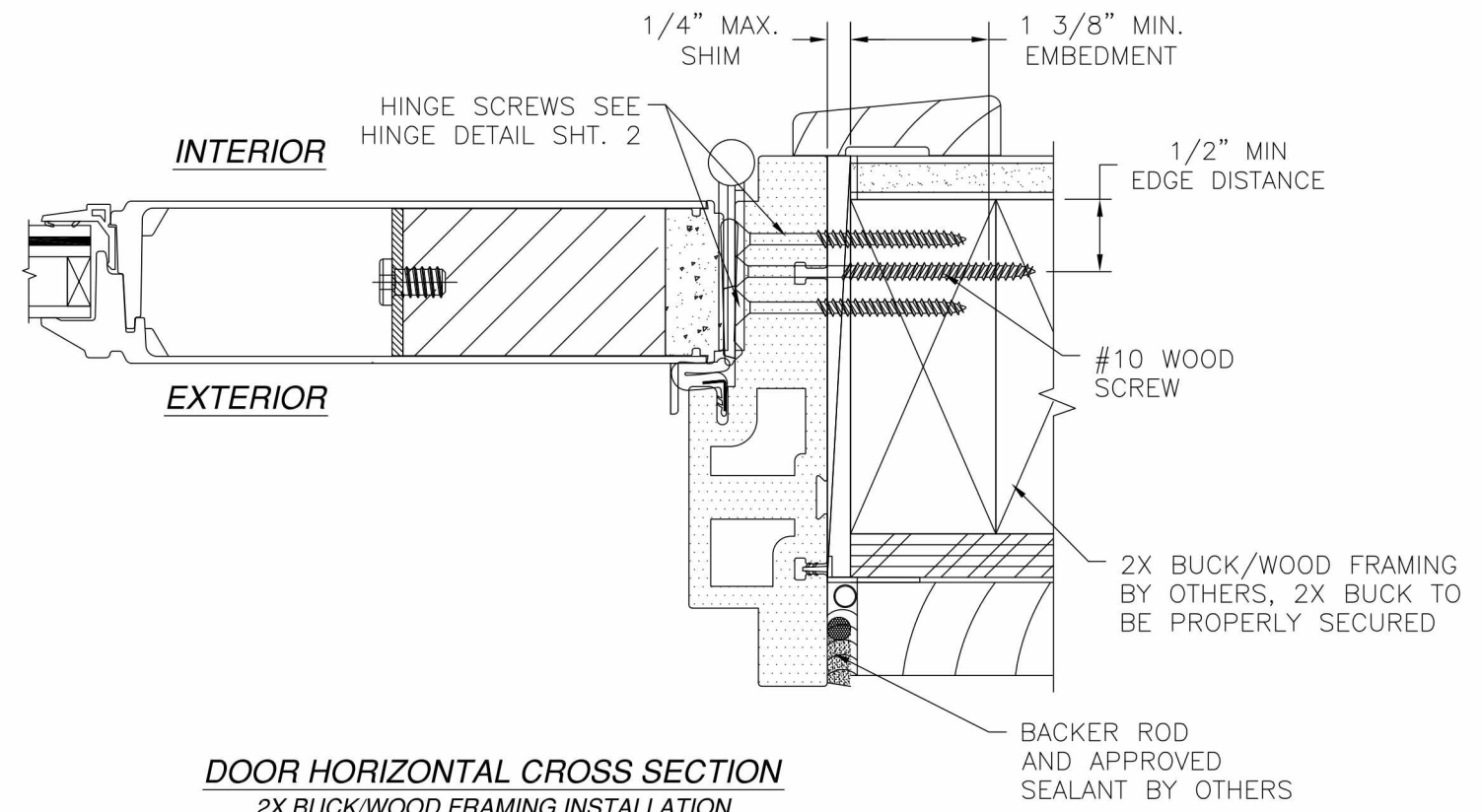
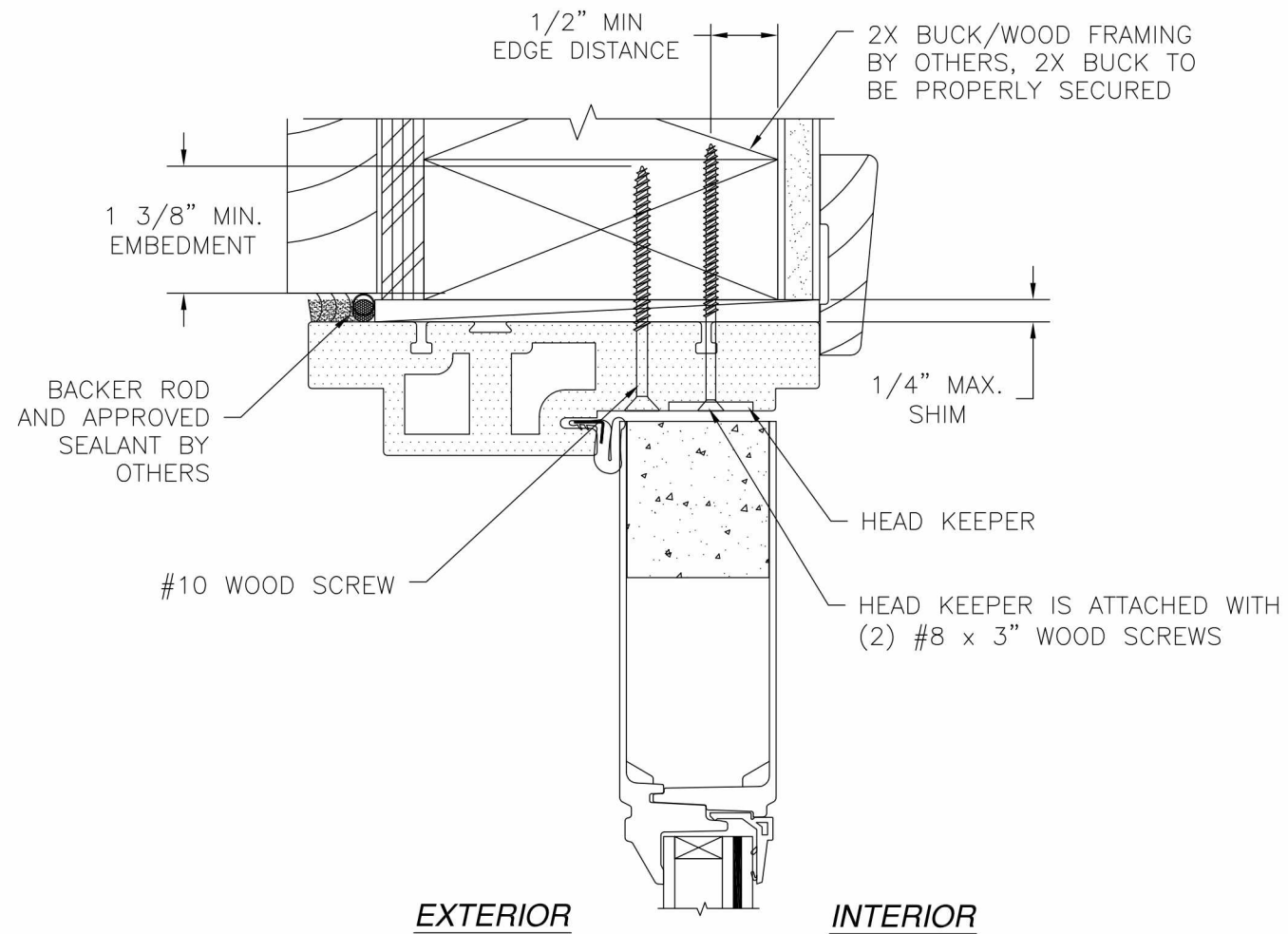
SERIES 9'0 x 8'0 FIBERGLASS IN-SWING GLAZED  
 DOUBLE DOOR W/ AND W/O SIDELITES  
 ASTRAGAL AND MULLION

DRAWN: TJH	DWG NO. 08-01165	REV B
SCALE NTS	DATE 11/03/10	SHEET 4 OF 8

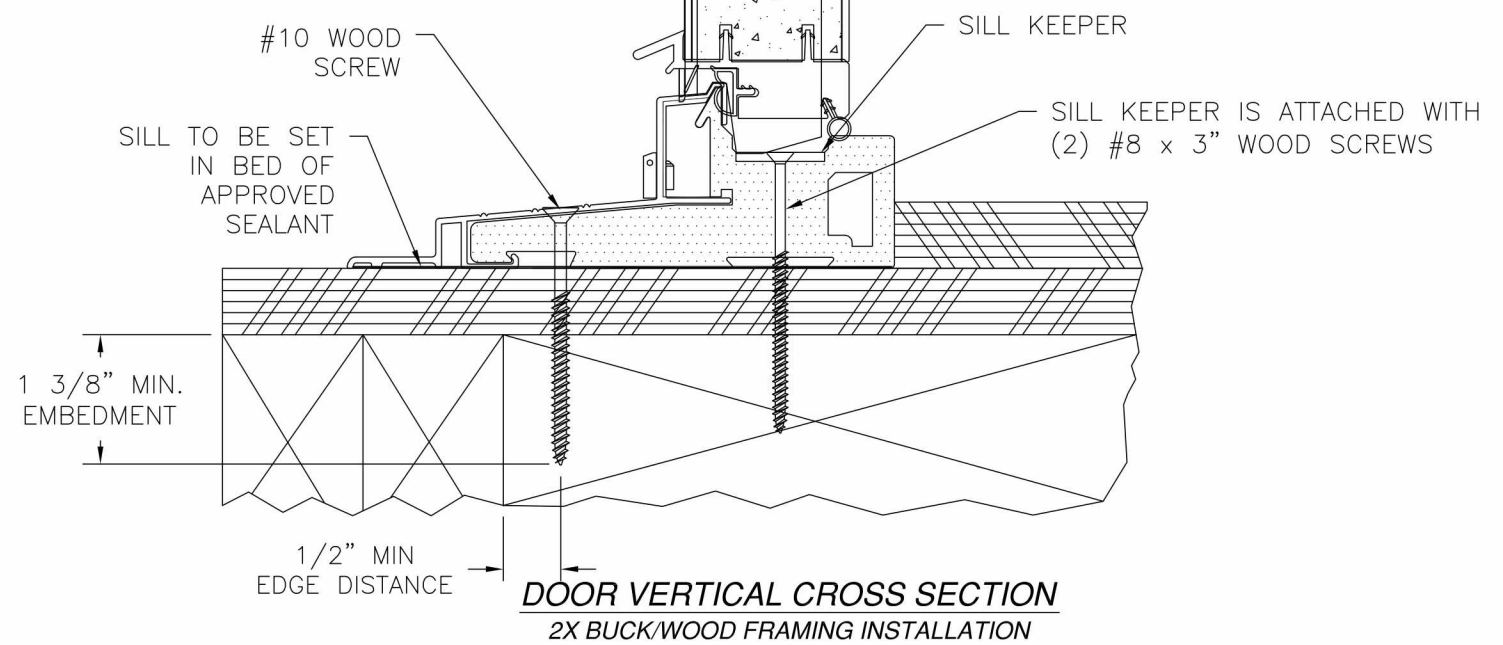




REVISIONS			
REV	DESCRIPTION	DATE	APPROVED
A	ADDED EDGE DISTANCES	11/05/14	R.L.
B	REVISED SIDELITE INSTALLATION DETAILS	06/01/15	R.L.



**DOOR HORIZONTAL CROSS SECTION**  
2X BUCK/WOOD FRAMING INSTALLATION



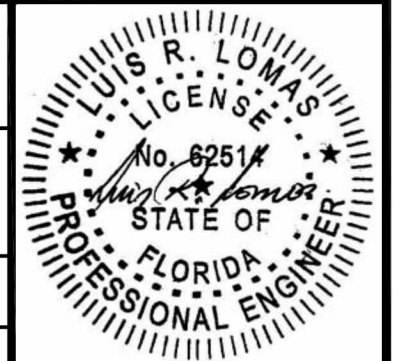
**NOTES:**  
 1. INTERIOR AND EXTERIOR FINISHES, BY OTHERS, NOT SHOWN FOR CLARITY.  
 2. PERIMETER AND JOINT SEALANT BY OTHERS TO BE DESIGNED IN ACCORDANCE WITH ASTM E2112

SIGNED: 06/03/2015

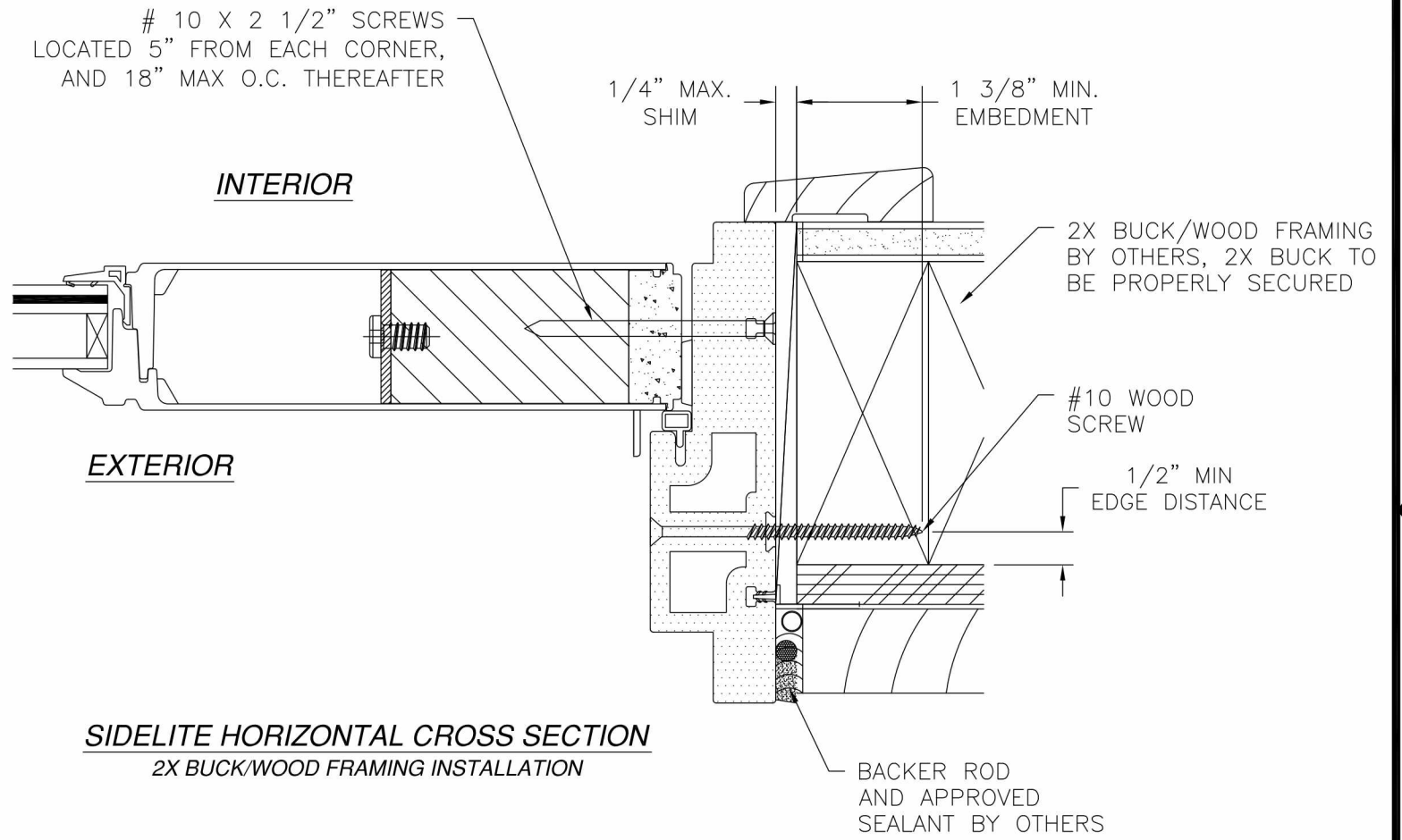
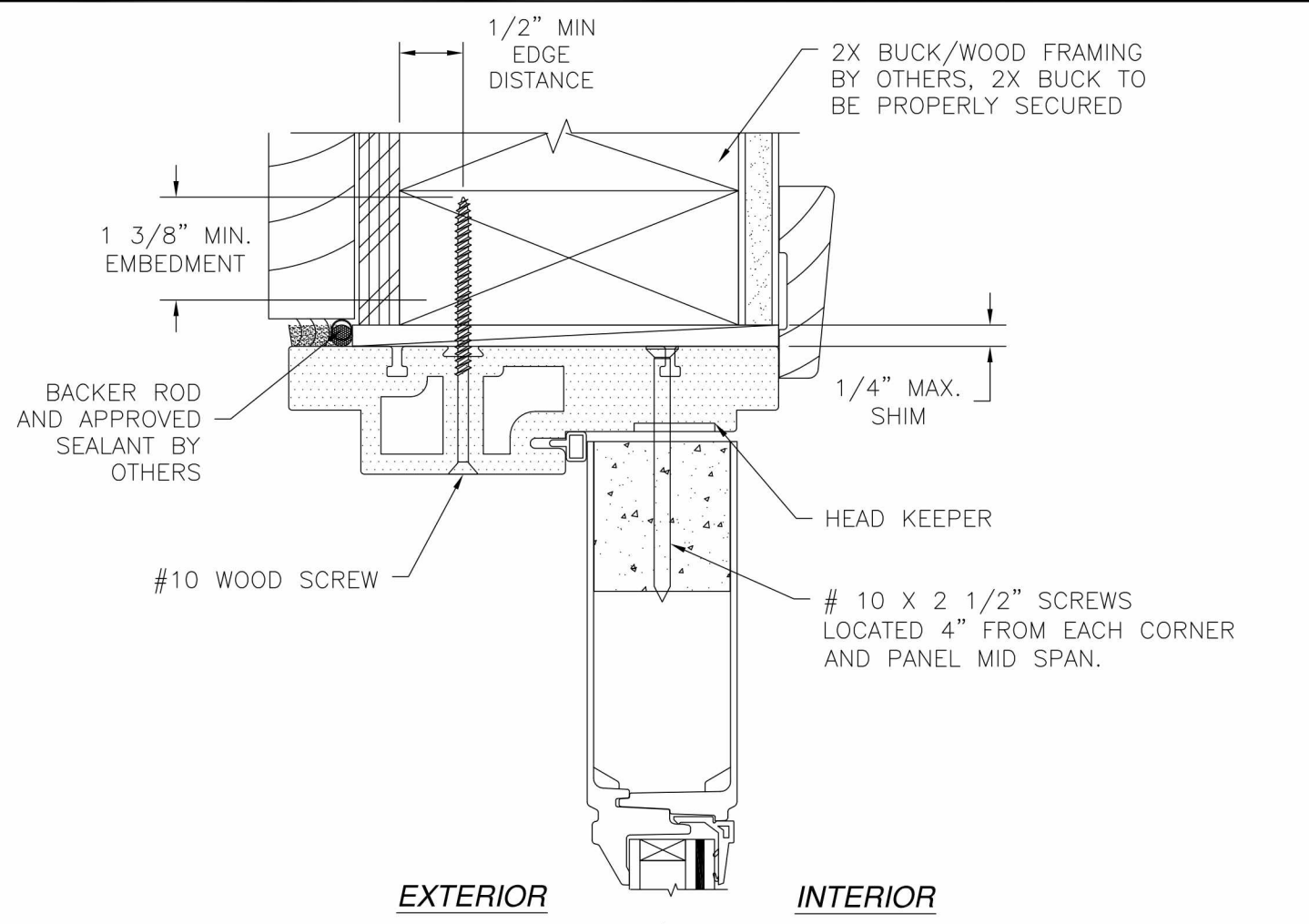
**NAN YA PLASTICS CORP. USA**  
 8989 NORTH LOOP EAST  
 HOUSTON, TX 77029

SERIES 9'0 x 8'0 FIBERGLASS IN-SWING GLAZED  
 DOUBLE DOOR W/ AND W/O SIDELITES  
 INSTALLATION DETAILS

DRAWN: TJH	DWG NO. 08-01165	REV B
SCALE NTS	DATE 11/03/10	SHEET 5 OF 8



REVISIONS			
REV	DESCRIPTION	DATE	APPROVED
A	ADDED EDGE DISTANCES	11/05/14	R.L.
B	REVISED SIDELITE INSTALLATION DETAILS	06/01/15	R.L.



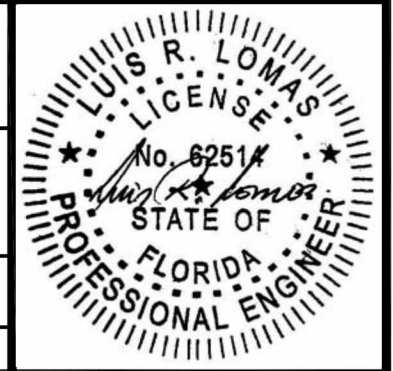
NOTES:  
 1. INTERIOR AND EXTERIOR FINISHES, BY OTHERS, NOT SHOWN FOR CLARITY.  
 2. PERIMETER AND JOINT SEALANT BY OTHERS TO BE DESIGNED IN ACCORDANCE WITH ASTM E2112

SIGNED: 06/03/2015

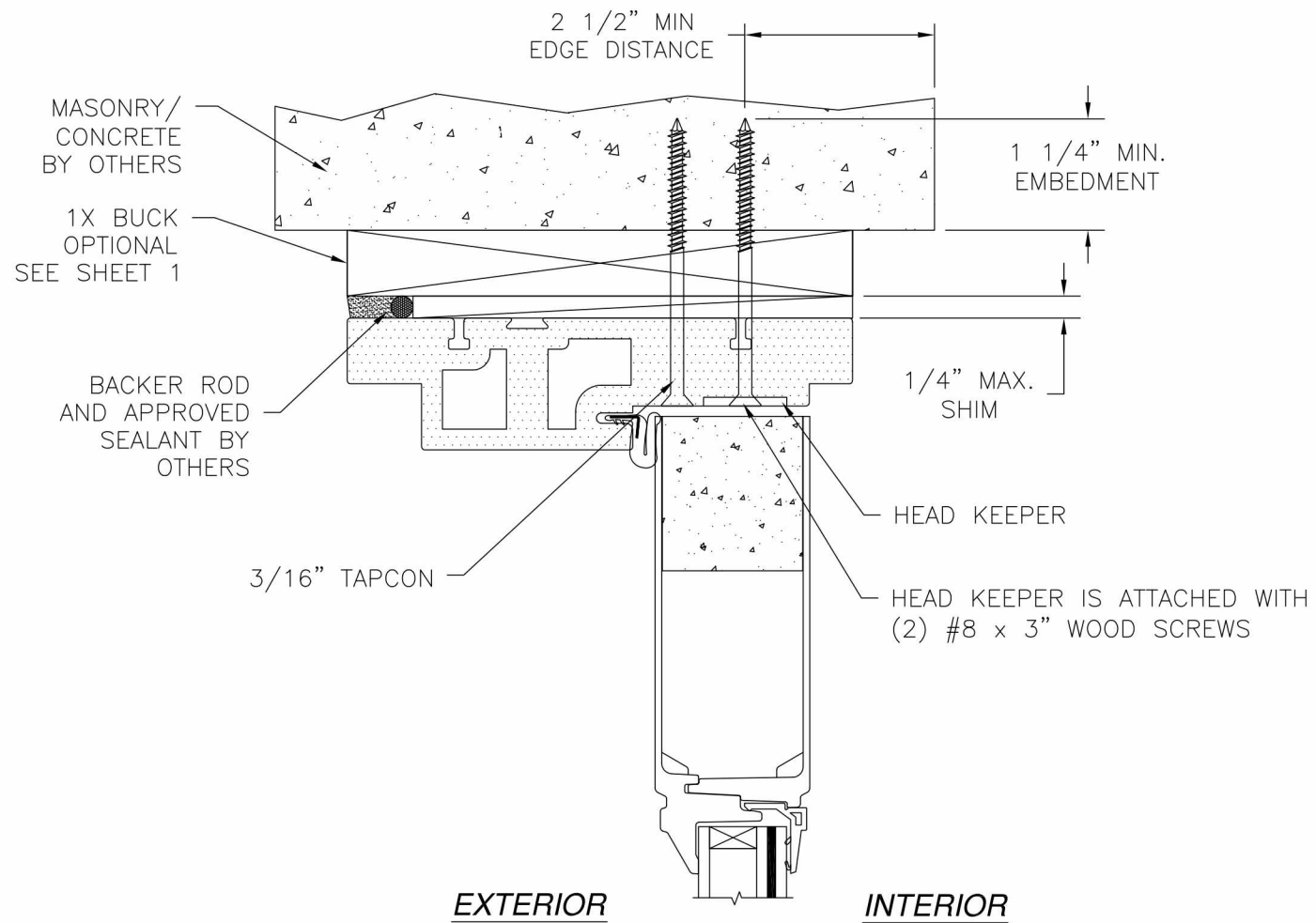
NAN YA PLASTICS CORP. USA  
 8989 NORTH LOOP EAST  
 HOUSTON, TX 77029

SERIES 9'0 x 8'0 FIBERGLASS IN-SWING GLAZED  
 DOUBLE DOOR W/ AND W/O SIDELITES  
 INSTALLATION DETAILS

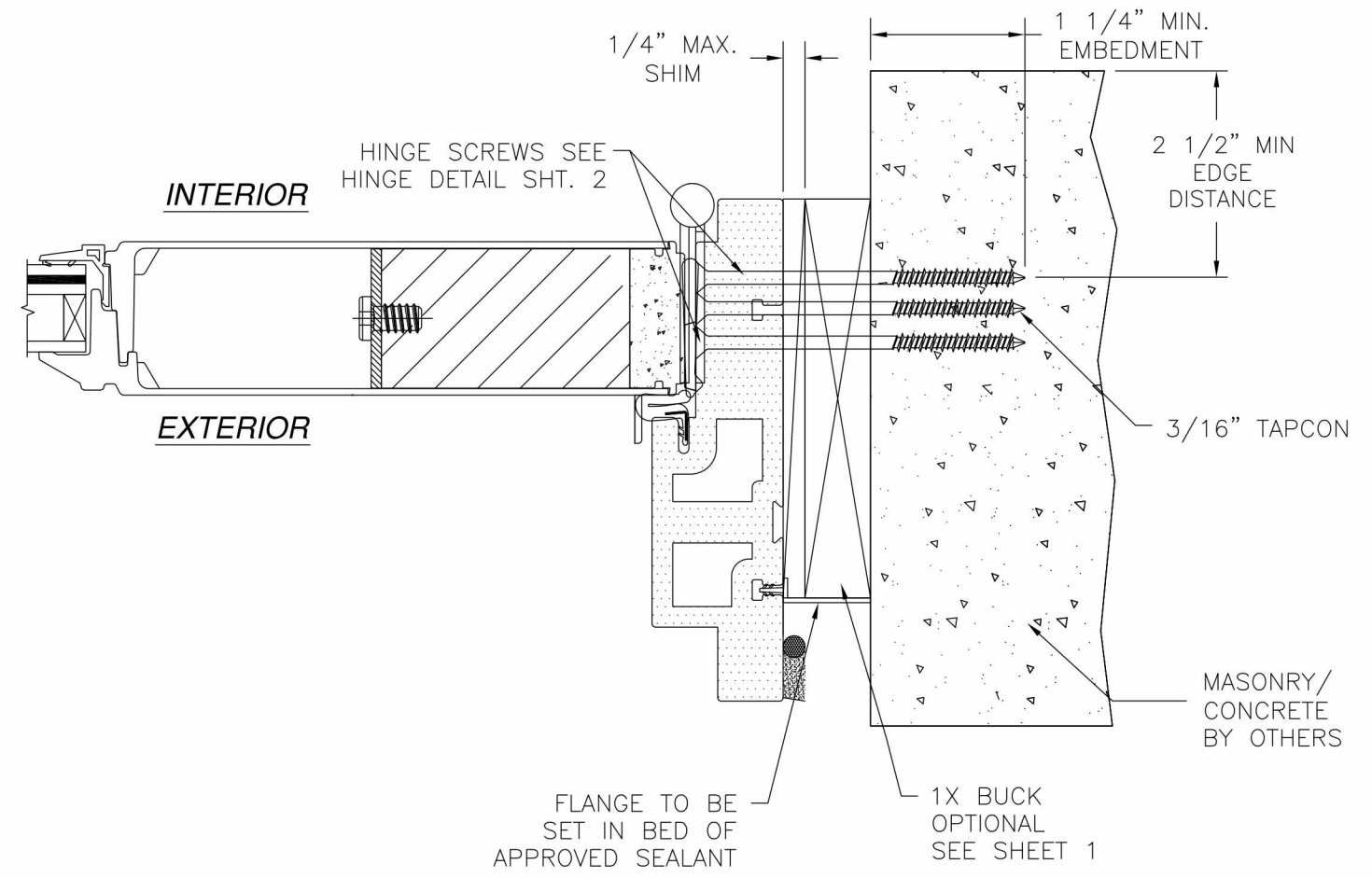
DRAWN: TJH	DWG NO. 08-01165	REV B
SCALE NTS	DATE 11/03/10	SHEET 6 OF 8



**SIDELITE VERTICAL CROSS SECTION**  
2X BUCK/WOOD FRAMING INSTALLATION



**DOOR VERTICAL CROSS SECTION**  
MASONRY/CONCRETE INSTALLATION



**DOOR HORIZONTAL CROSS SECTION**  
MASONRY/CONCRETE INSTALLATION

**NOTES:**  
 1. INTERIOR AND EXTERIOR FINISHES, BY OTHERS, NOT SHOWN FOR CLARITY.  
 2. PERIMETER AND JOINT SEALANT BY OTHERS TO BE DESIGNED IN ACCORDANCE WITH ASTM E2112

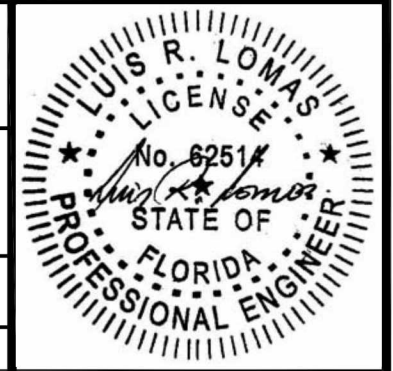
REVISIONS			
REV	DESCRIPTION	DATE	APPROVED
A	ADDED EDGE DISTANCES	11/05/14	R.L.
B	REVISED SIDELITE INSTALLATION DETAILS	06/01/15	R.L.

SIGNED: 06/03/2015

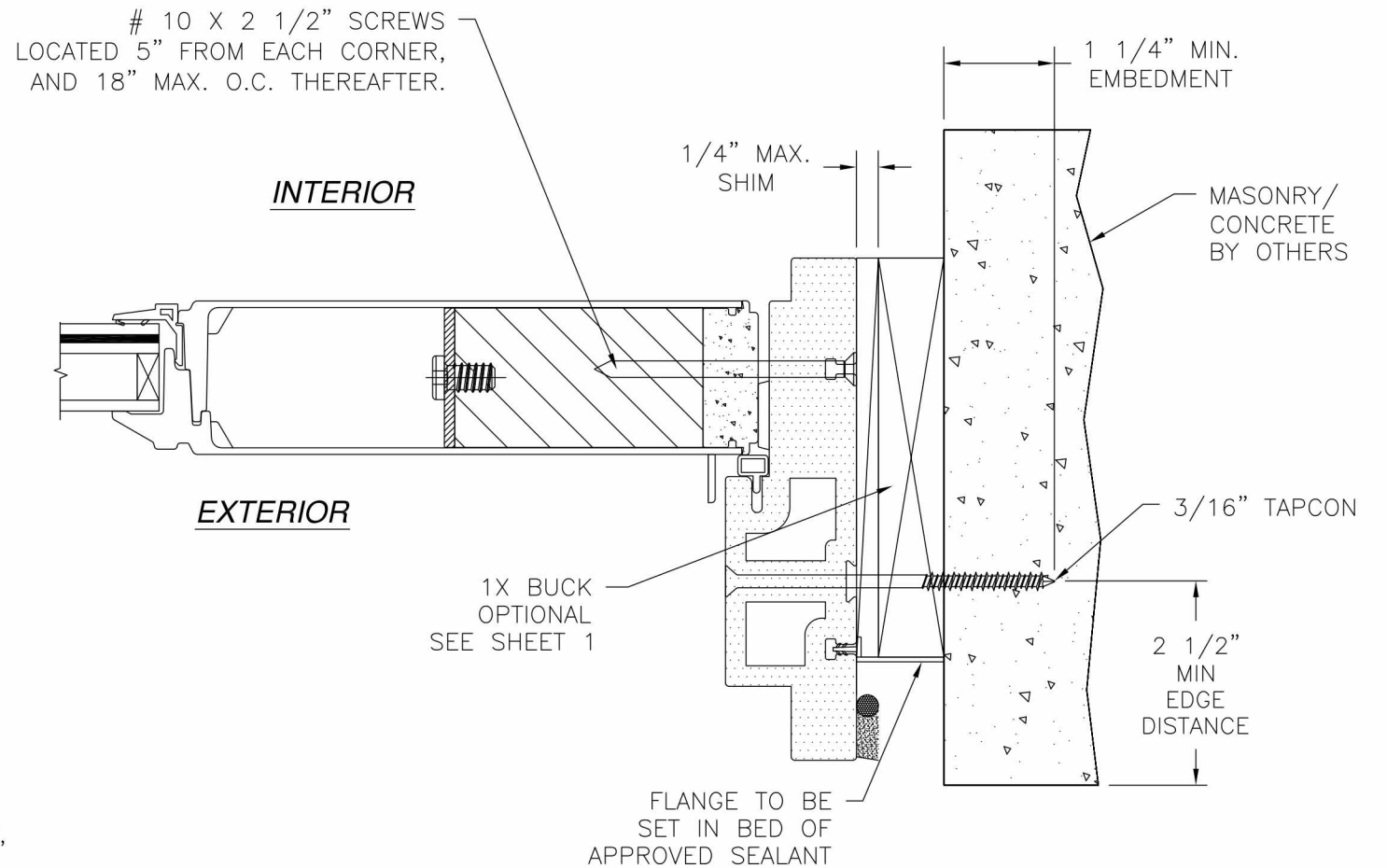
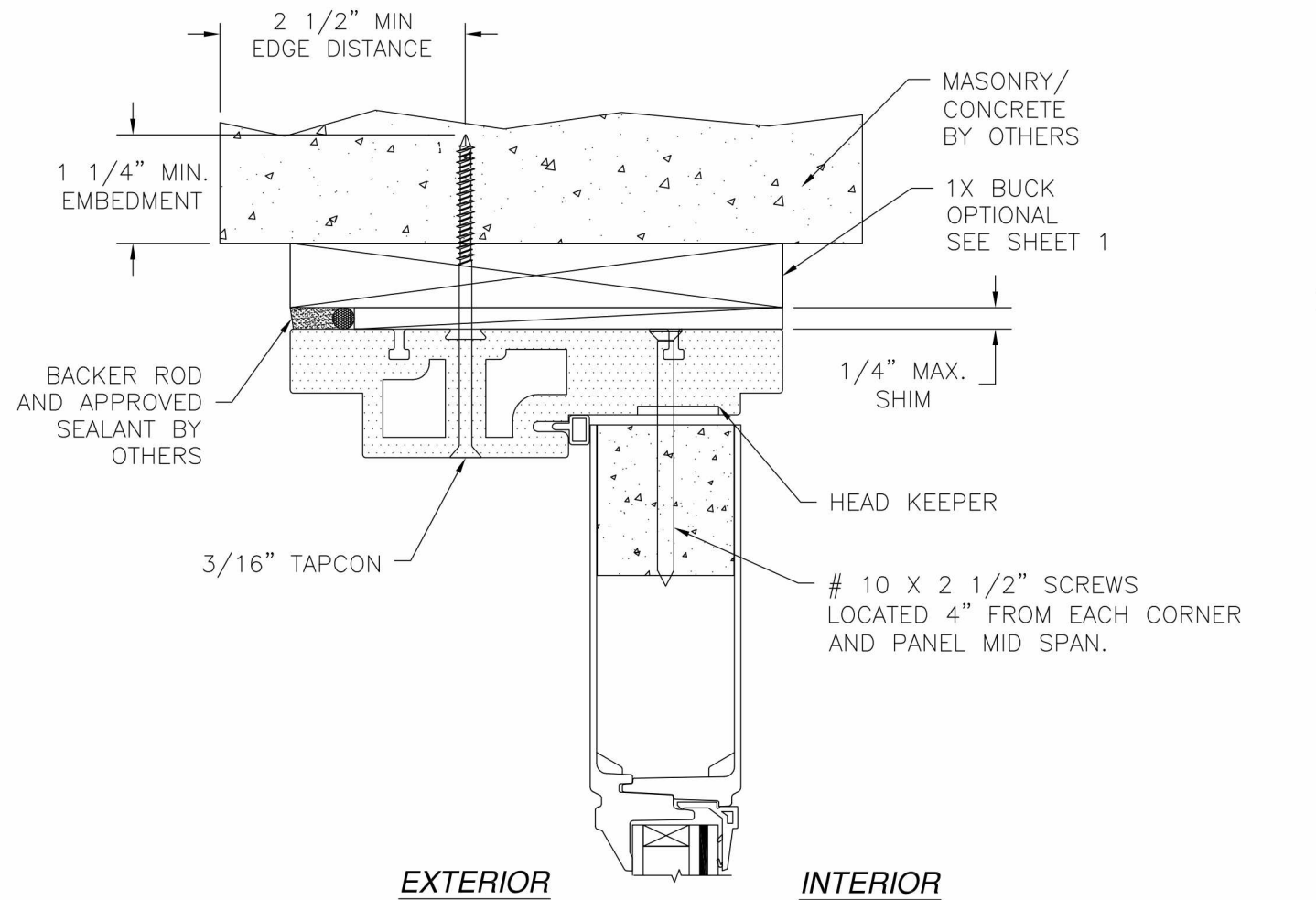
**NAN YA PLASTICS CORP. USA**  
 8989 NORTH LOOP EAST  
 HOUSTON, TX 77029

SERIES 9'0 x 8'0 FIBERGLASS IN-SWING GLAZED  
 DOUBLE DOOR W/ AND W/O SIDELITES  
 INSTALLATION DETAILS

DRAWN: TJH	DWG NO. 08-01165	REV B
SCALE NTS	DATE 11/03/10	SHEET 7 OF 8



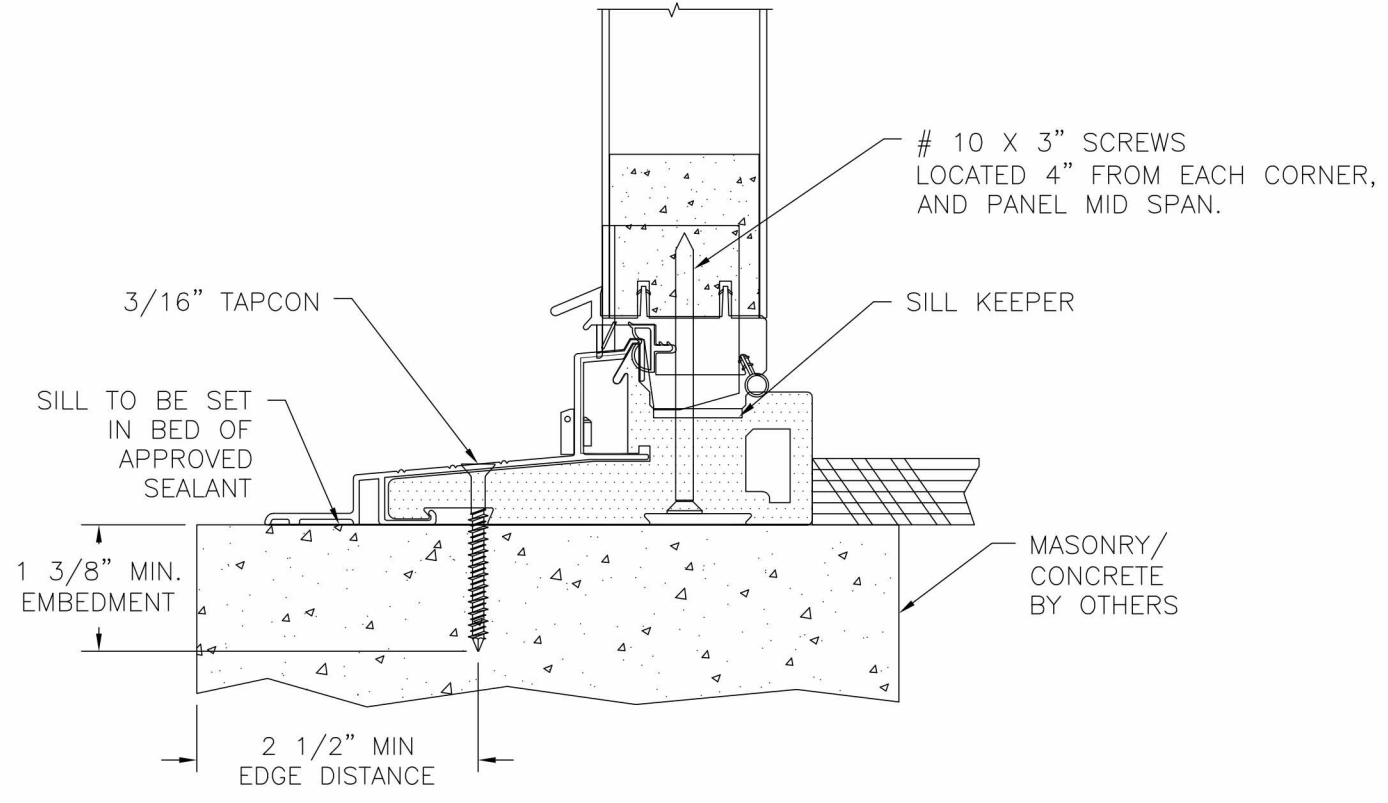
REVISIONS			
REV	DESCRIPTION	DATE	APPROVED
A	ADDED EDGE DISTANCES	11/05/14	R.L.
B	REVISED SIDELITE INSTALLATION DETAILS	06/01/15	R.L.



**SDELITE HORIZONTAL CROSS SECTION**  
MASONRY/CONCRETE INSTALLATION

**NOTES:**  
 1. INTERIOR AND EXTERIOR FINISHES, BY OTHERS, NOT SHOWN FOR CLARITY.  
 2. PERIMETER AND JOINT SEALANT BY OTHERS TO BE DESIGNED IN ACCORDANCE WITH ASTM E2112

SIGNED: 06/03/2015



**SIDELITE VERTICAL CROSS SECTION**  
MASONRY/CONCRETE INSTALLATION

**NAN YA PLASTICS CORP. USA**  
 8989 NORTH LOOP EAST  
 HOUSTON, TX 77029

SERIES 9'0 x 8'0 FIBERGLASS IN-SWING GLAZED  
 DOUBLE DOOR W/ AND W/O SIDELITES  
 INSTALLATION DETAILS

DRAWN: TJH	DWG NO. 08-01165	REV B
SCALE NTS	DATE 11/03/10	SHEET 8 OF 8

