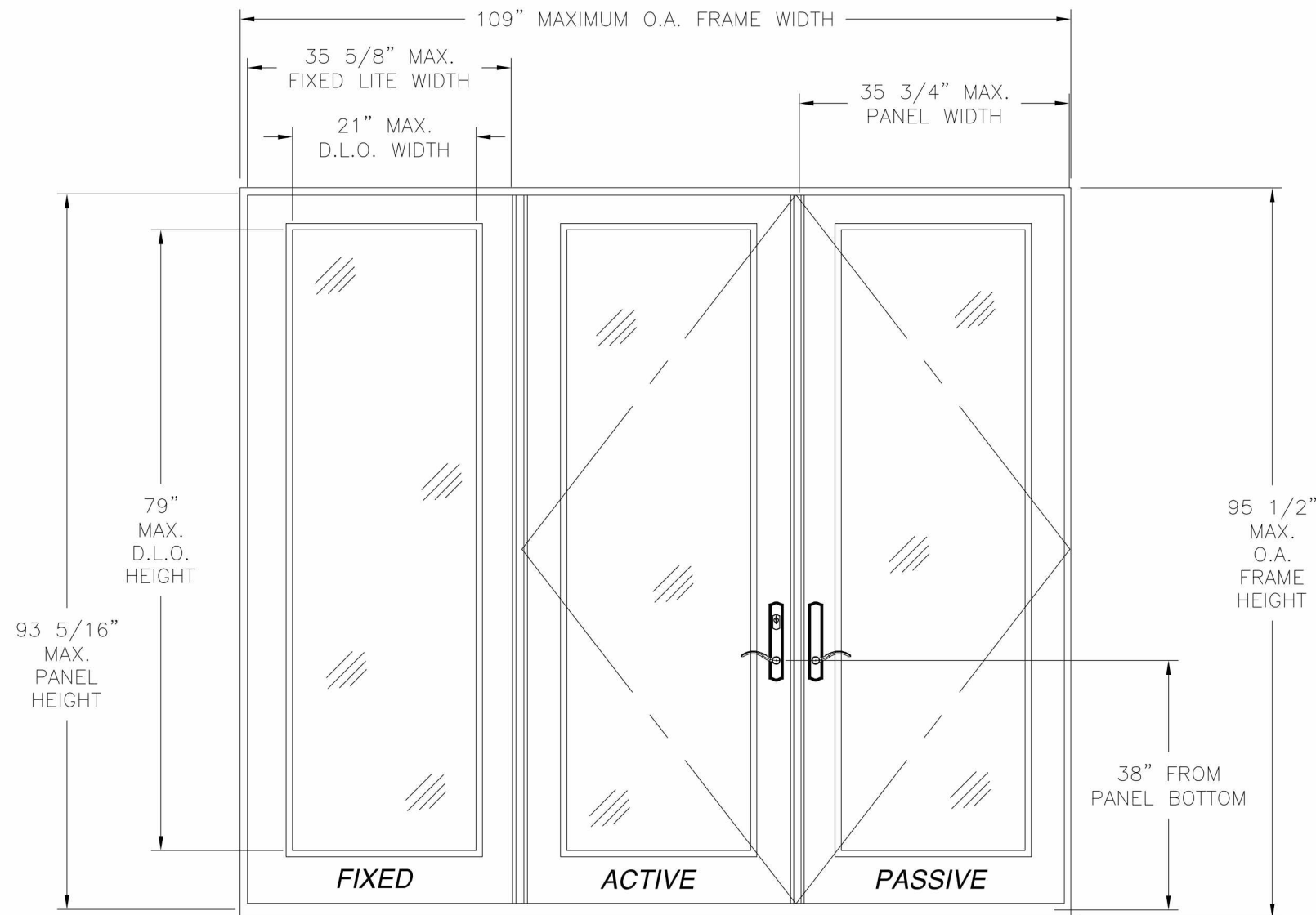


REVISIONS			
REV	DESCRIPTION	DATE	APPROVED
A	ADDED ANCHOR NOTE	05/29/12	R.L.
B	ADDED EDGE DISTANCES	11/05/14	R.L.
C	REVISED SIDELITE INSTALLATION DETAIL	05/13/15	R.L.



SERIES 9'0 x 8'0 FIBERGLASS OUT-SWING DOUBLE DOOR WITH SIDELITE
EXTERIOR VIEW

NOTES:

- 1) THE PRODUCT SHOWN HEREIN IS DESIGNED AND MANUFACTURED TO COMPLY WITH REQUIREMENTS OF FLORIDA BUILDING CODE.
- 2) WOOD FRAMING AND MASONRY OPENING TO BE DESIGNED AND ANCHORED TO PROPERLY TRANSFER ALL LOADS TO STRUCTURE. WOOD FRAMING OPENING IS THE RESPONSIBILITY OF THE ARCHITECT OR ENGINEER OF RECORD.
- 3) 1X BUCK OVER MASONRY/CONCRETE IS OPTIONAL. WHERE 1X BUCK IS NOT USED DISSIMILAR MATERIALS MUST BE SEPARATED WITH APPROVED COATING OR MEMBRANE. SELECTION OF COATING OR MEMBRANE IS THE RESPONSIBILITY OF THE ARCHITECT OR ENGINEER OF RECORD.
- 4) APPROVED IMPACT PROTECTIVE SYSTEM IS NOT REQUIRED FOR THIS PRODUCT IN WIND BORNE DEBRIS REGIONS.
- 5) UNITS MUST BE GLAZED PER ASTM E1300-04. SEE SHEET 2 FOR GLAZING DETAIL.
- 6) ALLOWABLE STRESS INCREASE OF 1/3 WAS NOT USED IN THE DESIGN OF THE PRODUCT SHOWN HEREIN. WIND LOAD DURATION FACTOR Cd=1.6 WAS USED FOR WOOD ANCHOR CALCULATIONS.
- 7) FRAME JAMB AND HEAD MATERIAL: CO-EXTRUDED PVC FOAM 1 1/2" THICK.
- 8) FRAME SILL MATERIAL: CO-EXTRUDED PVC FOAM 2" THICK WITH ALUMINUM CLADDING .063" THICK.
- 9) DOOR PANEL SIDELITE MATERIAL: .075" THICK FIBERGLASS SKIN WITH PVC FOAM TOP AND BOTTOM RAILS, AND PVC FOAM VERTICAL STILES WITH PINE REINFORCEMENTS AND POLYURETHANE FOAM CORE.
- 10) APPROVED CONFIGURATIONS: X, XX, OO, OX, XO, XXO, OXX. SEE SHEET 2.
- 11) HINGE LOCATION: FROM TOP OF PANEL DOWN AT 7 3/4", 33 1/4", 58 3/4" AND 84 5/16".

DESIGN PRESSURE RATING	IMPACT RATING
±50PSF	LARGE AND SMALL MISSILE IMPACT

MISSILE LEVEL D, WIND ZONE 3

SIGNED: 05/14/2015

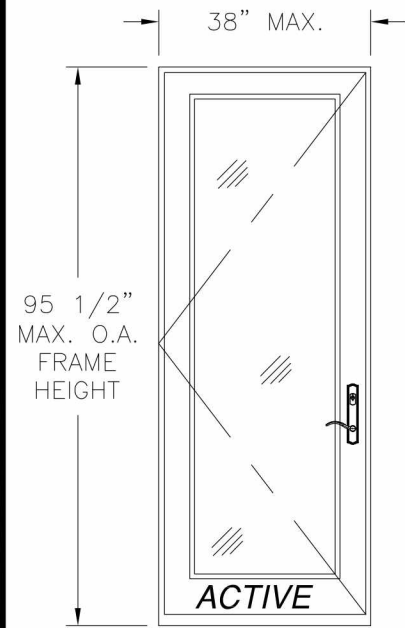
TABLE OF CONTENTS	
SHEET NO.	DESCRIPTION
1	OXX ELEVATION AND NOTES
2	ADDITIONAL CONFIGURATIONS AND HARDWARE
3	ANCHORING LAYOUTS
4 -7	INSTALLATION DETAILS
8	ASTRAGAL AND MULLION DETAILS

NAN YA PLASTICS CORP. USA
8989 NORTH LOOP EAST
HOUSTON, TX 77029

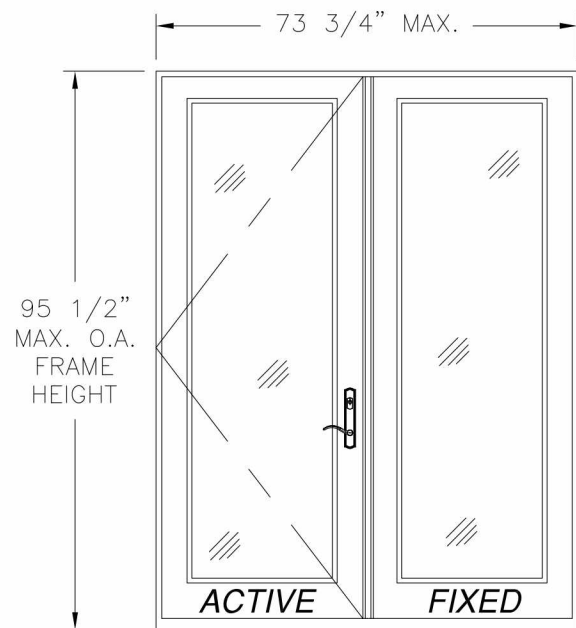
SERIES 9'0 x 8'0 FIBERGLASS OUT-SWING DOUBLE DOOR W/ AND W/O SIDELITES
OXX ELEVATION AND NOTES

DRAWN: TJH	DWG NO. 08-01166	REV C
SCALE NTS	DATE 11/05/10	SHEET 1 OF 8

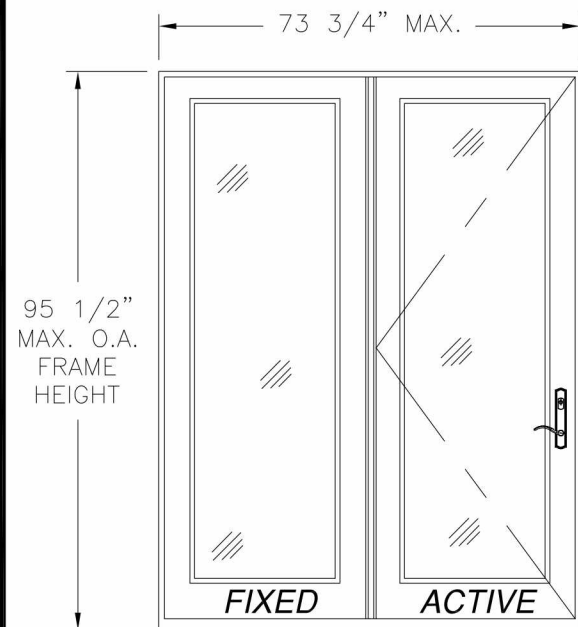




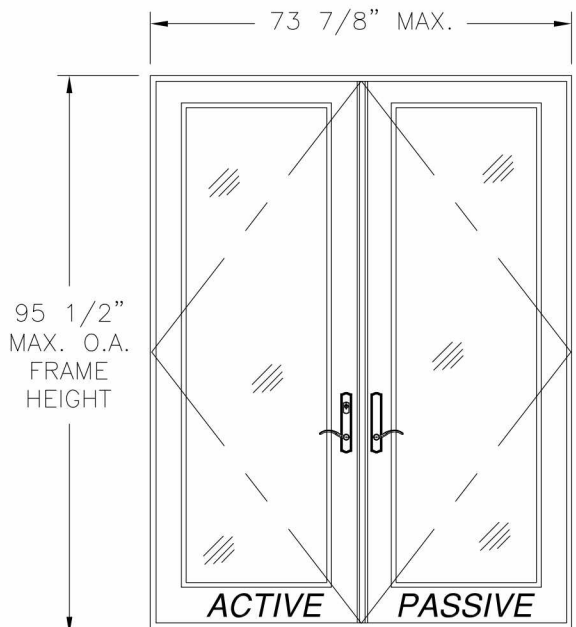
SINGLE
EXTERIOR VIEW



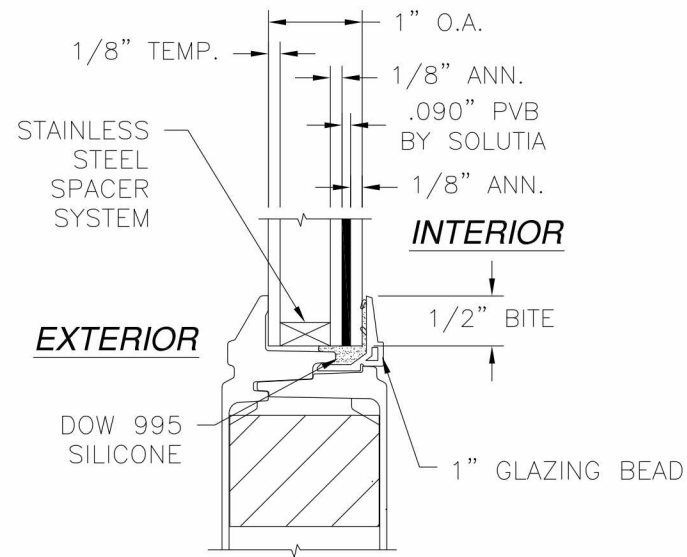
**SINGLE W/SIDELITE OR
DOUBLE FIXED**
EXTERIOR VIEW



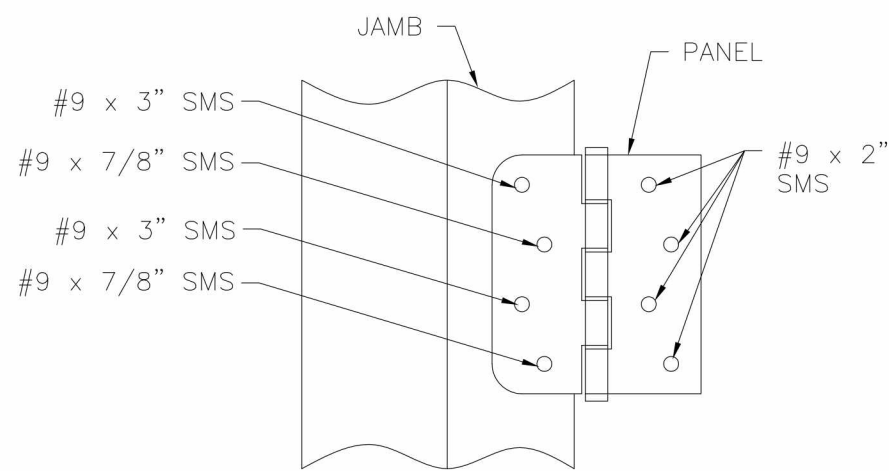
**SINGLE W/SIDELITE OR
DOUBLE FIXED**
EXTERIOR VIEW



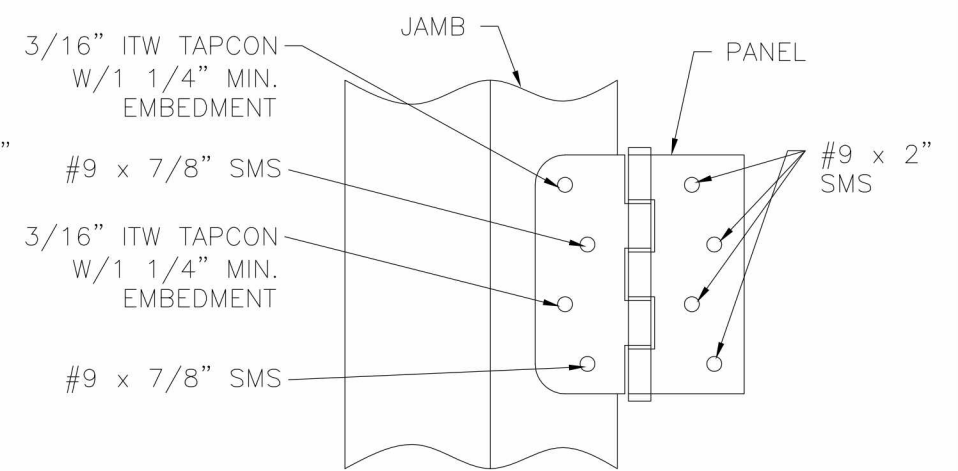
DOUBLE
EXTERIOR VIEW



GLAZING DETAIL



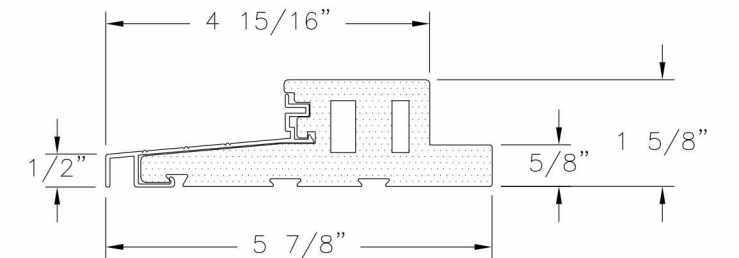
HINGE DETAIL
2X BUCK/WOOD FRAMING INSTALLATION



HINGE DETAIL
MASONRY/CONCRETE INSTALLATION

REVISIONS			
REV	DESCRIPTION	DATE	APPROVED
A	ADDED ANCHOR NOTE	05/29/12	R.L.
B	ADDED EDGE DISTANCES	11/05/14	R.L.
C	REVISED SIDELITE INSTALLATION DETAIL	05/13/15	R.L.

HARDWARE SCHEDULE	
A.	3-POINT LOCK HANDLE ASSEMBLY NINGBO MICOTA LOCKS
B.	(4) 4" x 4" BUTT HINGES BY WENZHOU LONGTAI HINGES
C.	EXTRUDED ALUMINUM & PVC FOAM ASTRAGAL BY NAN YA PLASTICS
D.	EXTRUDED ALUMINUM & PVC FOAM MULLION BY NAN YA PLASTICS



OUTSWING DOOR SILL DETAIL

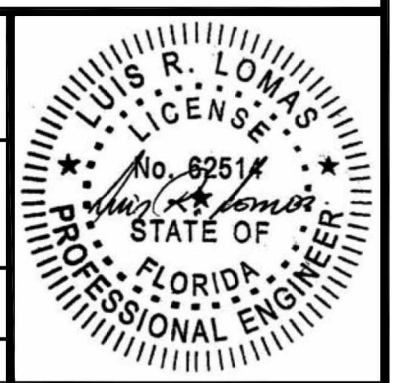
NOTE:
ALL APPROVED CONFIGURATIONS ARE SHOWN AS LEFT HAND ACTIVE, RIGHT HAND ACTIVE IS ALSO APPROVED.

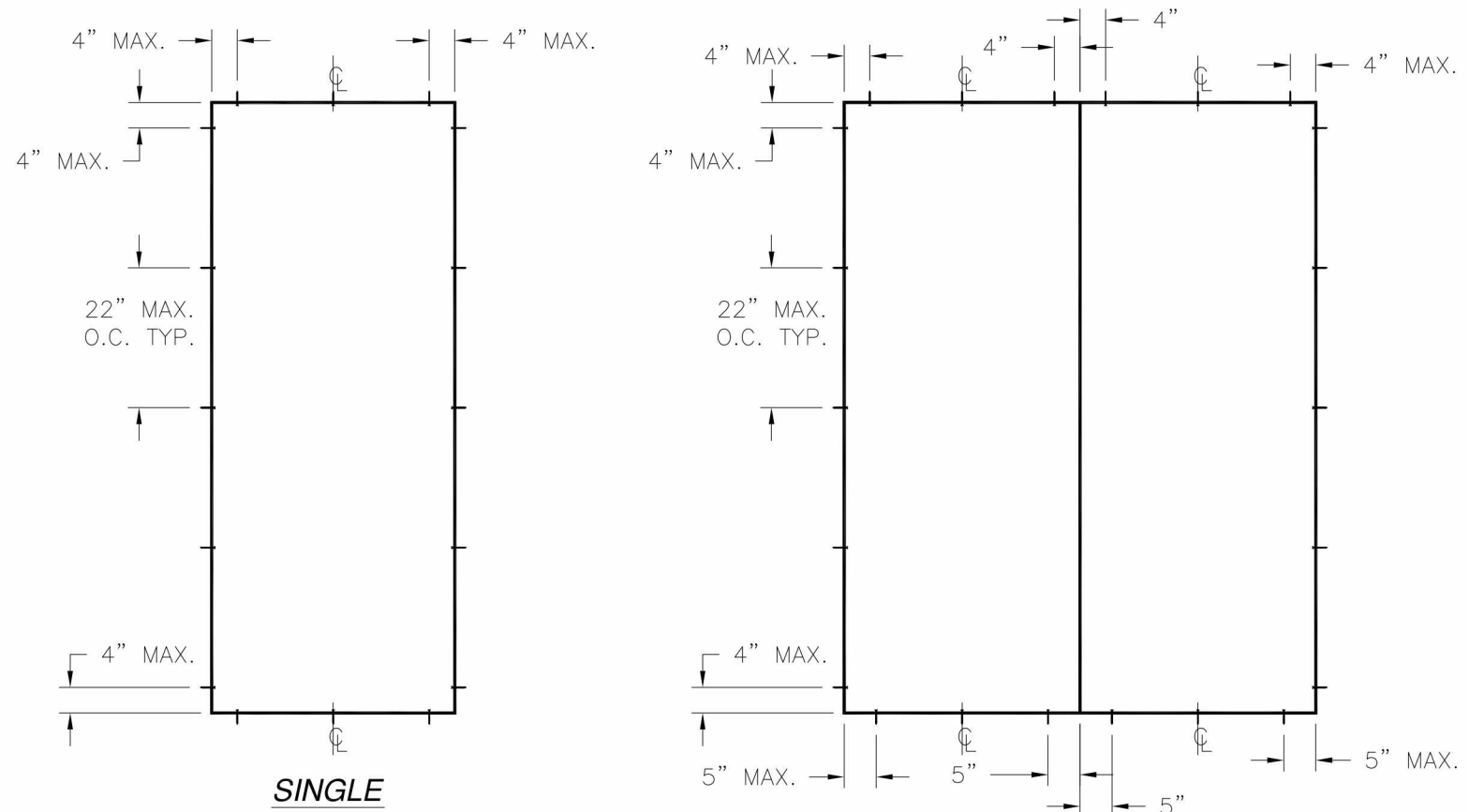
SIGNED: 05/14/2015

NAN YA PLASTICS CORP. USA
8989 NORTH LOOP EAST
HOUSTON, TX 77029

SERIES 9'0 x 8'0 FIBERGLASS OUT-SWING
DOUBLE DOOR W/ AND W/O SIDELITES
ADDITIONAL CONFIGURATIONS AND HARDWARE

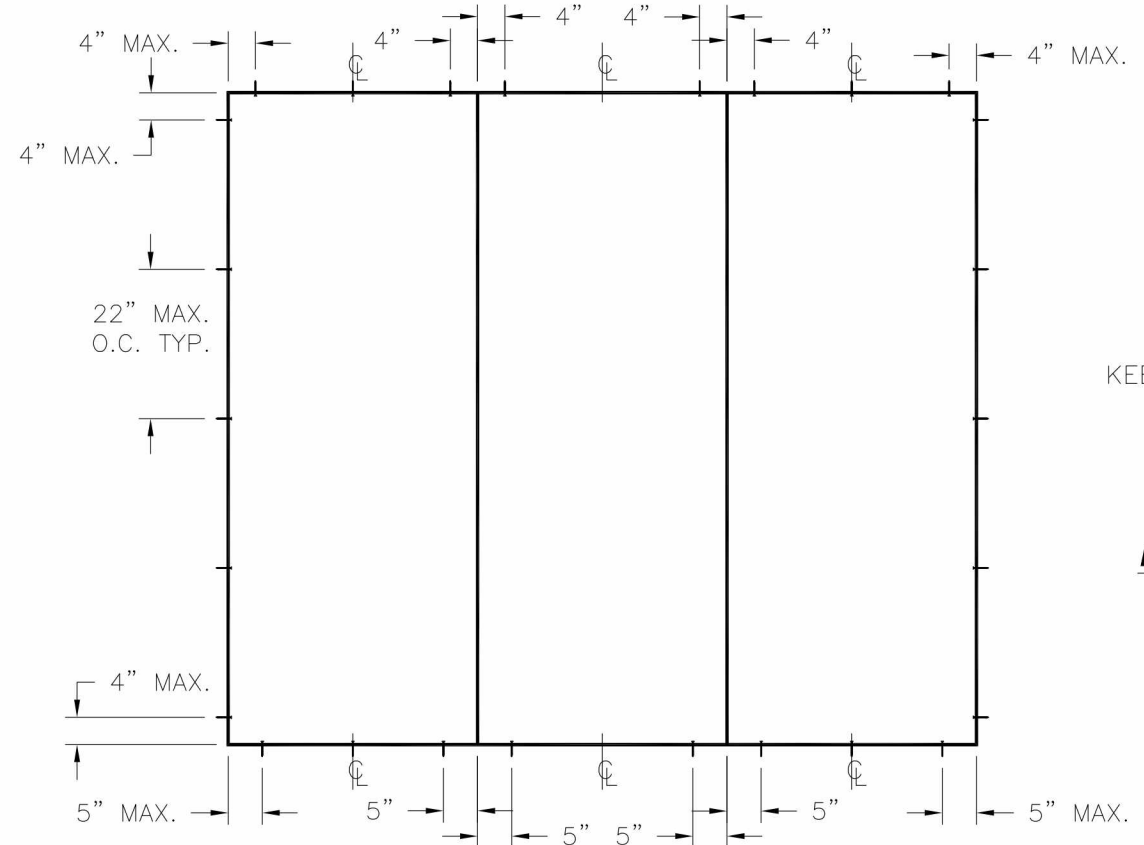
DRAWN: TJH	DWG NO. 08-01166	REV C
SCALE NTS	DATE 11/05/10	SHEET 2 OF 8



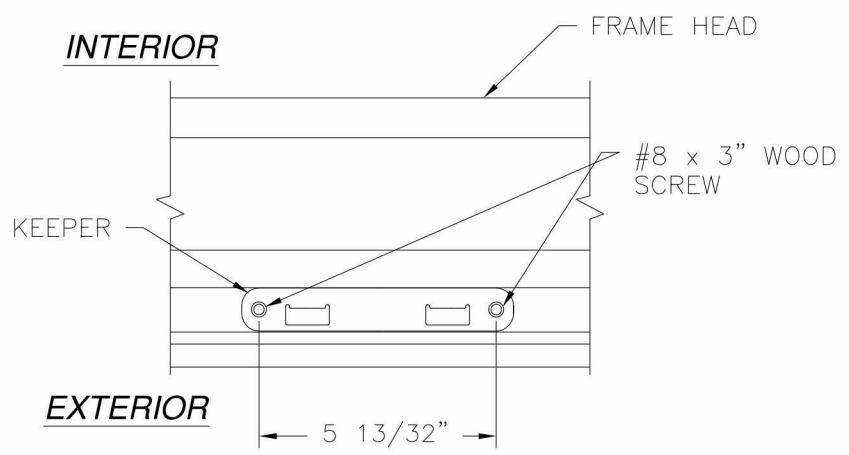


SINGLE

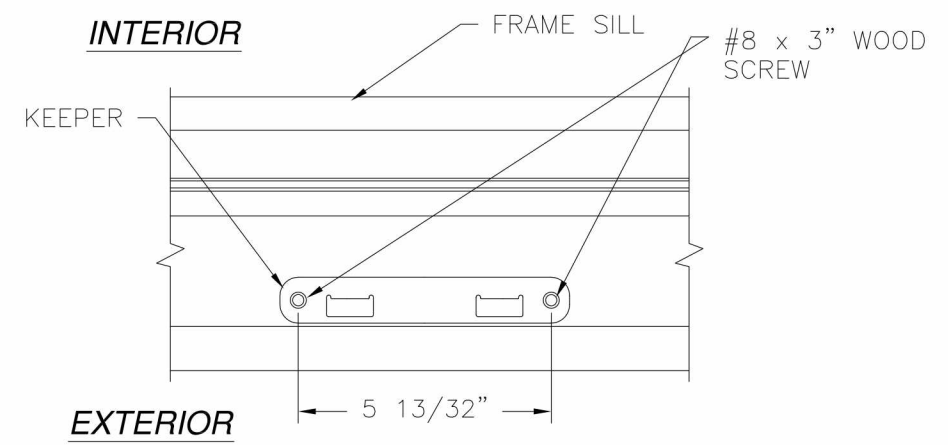
SINGLE W/SIDELITE, DOUBLE OR DOUBLE FIXED



DOUBLE WITH SIDELITE



HEAD KEEPER DETAIL



SILL KEEPER DETAIL

REVISIONS			
REV	DESCRIPTION	DATE	APPROVED
A	ADDED ANCHOR NOTE	05/29/12	R.L.
B	ADDED EDGE DISTANCES	11/05/14	R.L.
C	REVISED SIDELITE INSTALLATION DETAIL	05/13/15	R.L.

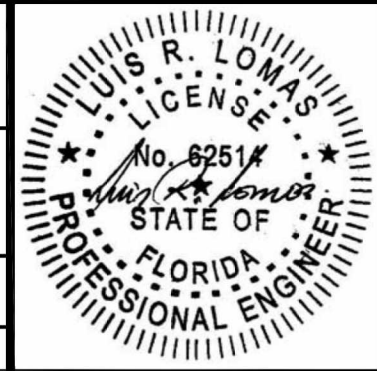
- ANCHORING NOTES:**
- SHIM AS REQUIRED AT EACH INSTALLATION ANCHOR WITH LOAD BEARING SHIM. SHIM WHERE SPACE OF 1/16" OR GREATER OCCURS. MAXIMUM ALLOWABLE SHIM STACK TO BE 1/4".
 - FOR ANCHORING INTO WOOD FRAMING OR 2X BUCK USE #10 WOOD SCREWS WITH SUFFICIENT LENGTH TO ACHIEVE A 1 3/8" MINIMUM EMBEDMENT INTO SUBSTRATE. LOCATE ANCHORS AS SHOWN IN ELEVATIONS AND INSTALLATION DETAILS.
 - FOR ANCHORING INTO MASONRY/CONCRETE USE 3/16" TAPCONS WITH SUFFICIENT LENGTH TO ACHIEVE A 1 1/4" MINIMUM EMBEDMENT INTO SUBSTRATE WITH 2 1/2" MINIMUM EDGE DISTANCE. LOCATE ANCHORS AS SHOWN IN ELEVATIONS AND INSTALLATION DETAILS.
 - ALL FASTENERS TO BE CORROSION RESISTANT.
 - INSTALLATION ANCHORS SHALL BE INSTALLED IN ACCORDANCE WITH ANCHOR MANUFACTURER'S INSTALLATION INSTRUCTIONS AND ANCHORS SHALL NOT BE USED IN SUBSTRATES WITH STRENGTHS LESS THAN THE MINIMUM STRENGTH SPECIFIED BELOW:
 - A. WOOD - MINIMUM SPECIFIC GRAVITY OF G=0.42
 - B. CONCRETE - MINIMUM COMPRESSIVE STRENGTH OF 3,192 PSI.
 - C. MASONRY - STRENGTH CONFORMANCE TO ASTM C-90, GRADE N, TYPE 1 (OR GREATER).

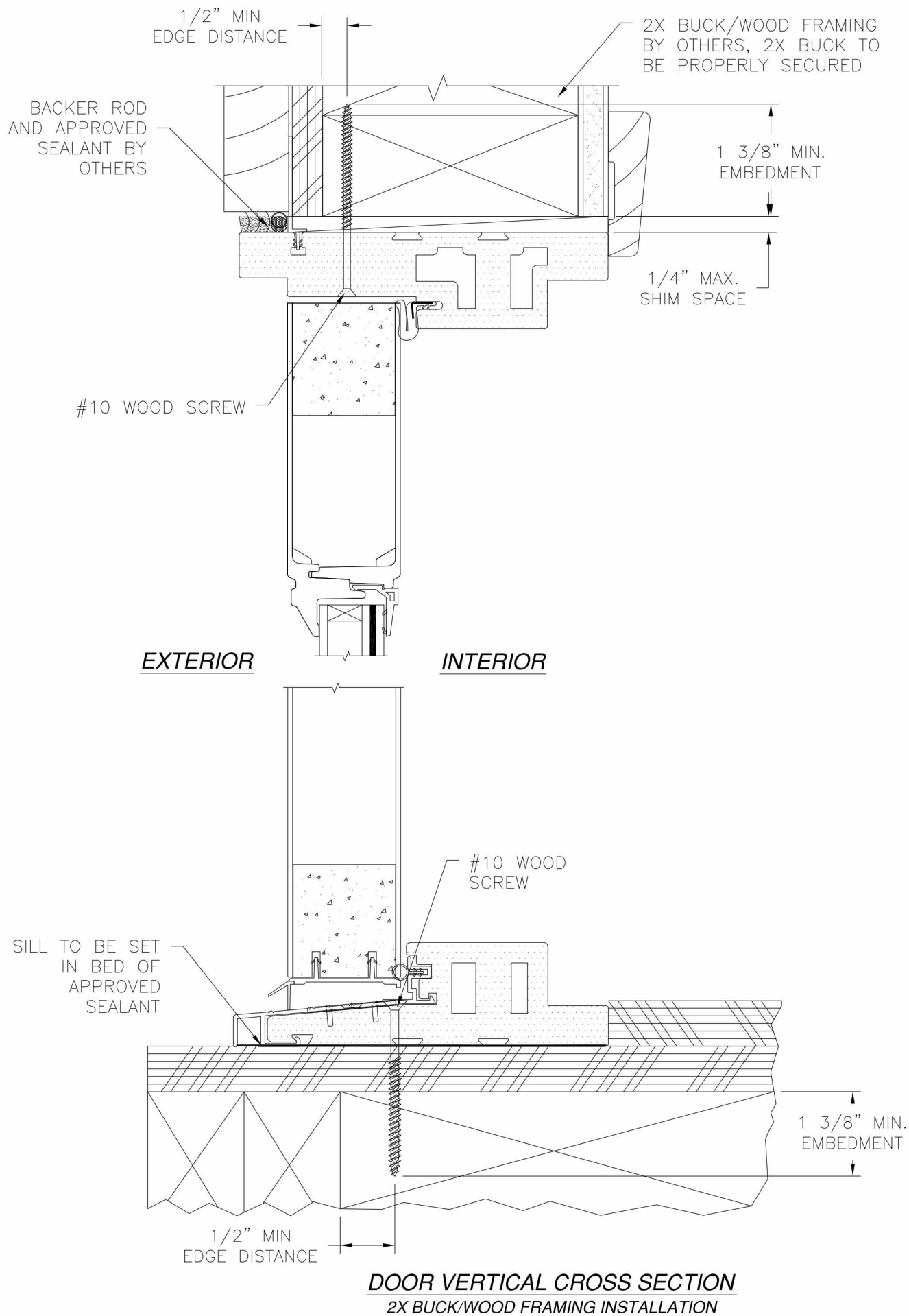
SIGNED: 05/14/2015

NAN YA PLASTICS CORP. USA
 8989 NORTH LOOP EAST
 HOUSTON, TX 77029

SERIES 9'0 x 8'0 FIBERGLASS OUT-SWING
 DOUBLE DOOR W/ AND W/O SIDELITES
 ANCHORING LAYOUTS

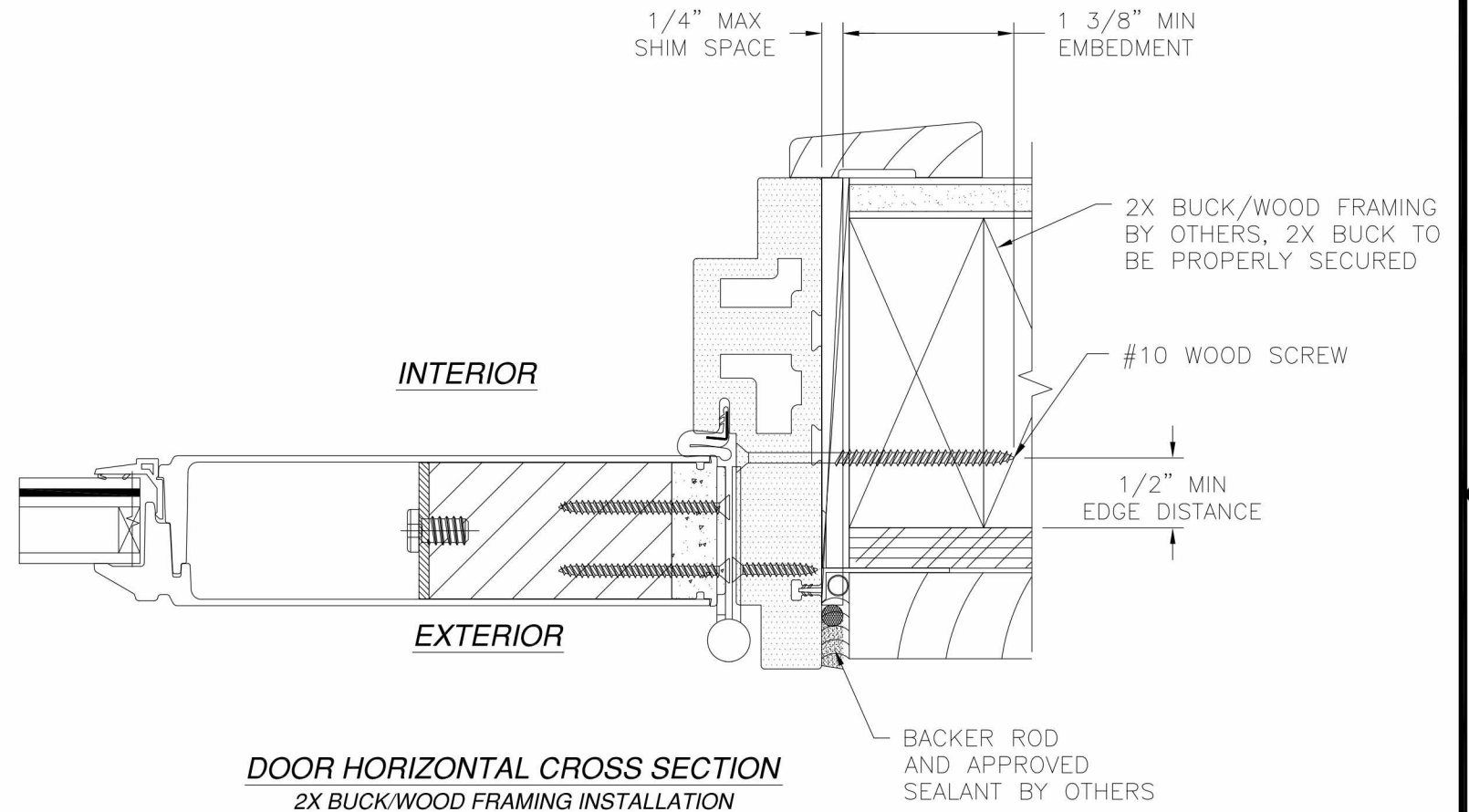
DRAWN: TJH	DWG NO. 08-01166	REV C
SCALE NTS	DATE 11/05/10	SHEET 3 OF 8





DOOR VERTICAL CROSS SECTION
2X BUCK/WOOD FRAMING INSTALLATION

REVISIONS			
REV	DESCRIPTION	DATE	APPROVED
A	ADDED ANCHOR NOTE	05/29/12	R.L.
B	ADDED EDGE DISTANCES	11/05/14	R.L.
C	REVISED SIDELITE INSTALLATION DETAIL	05/13/15	R.L.



DOOR HORIZONTAL CROSS SECTION
2X BUCK/WOOD FRAMING INSTALLATION

- NOTES:**
1. INTERIOR AND EXTERIOR FINISHES, BY OTHERS, NOT SHOWN FOR CLARITY.
 2. PERIMETER AND JOINT SEALANT BY OTHERS TO BE DESIGNED IN ACCORDANCE WITH ASTM E2112

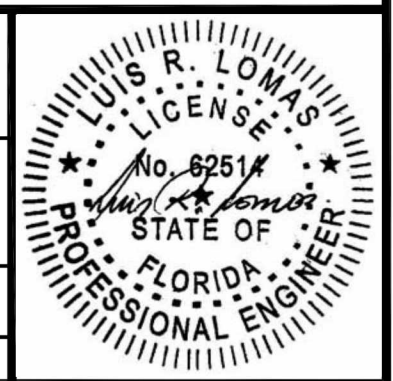
SIGNED: 05/14/2015

NAN YA PLASTICS CORP. USA
8989 NORTH LOOP EAST
HOUSTON, TX 77029

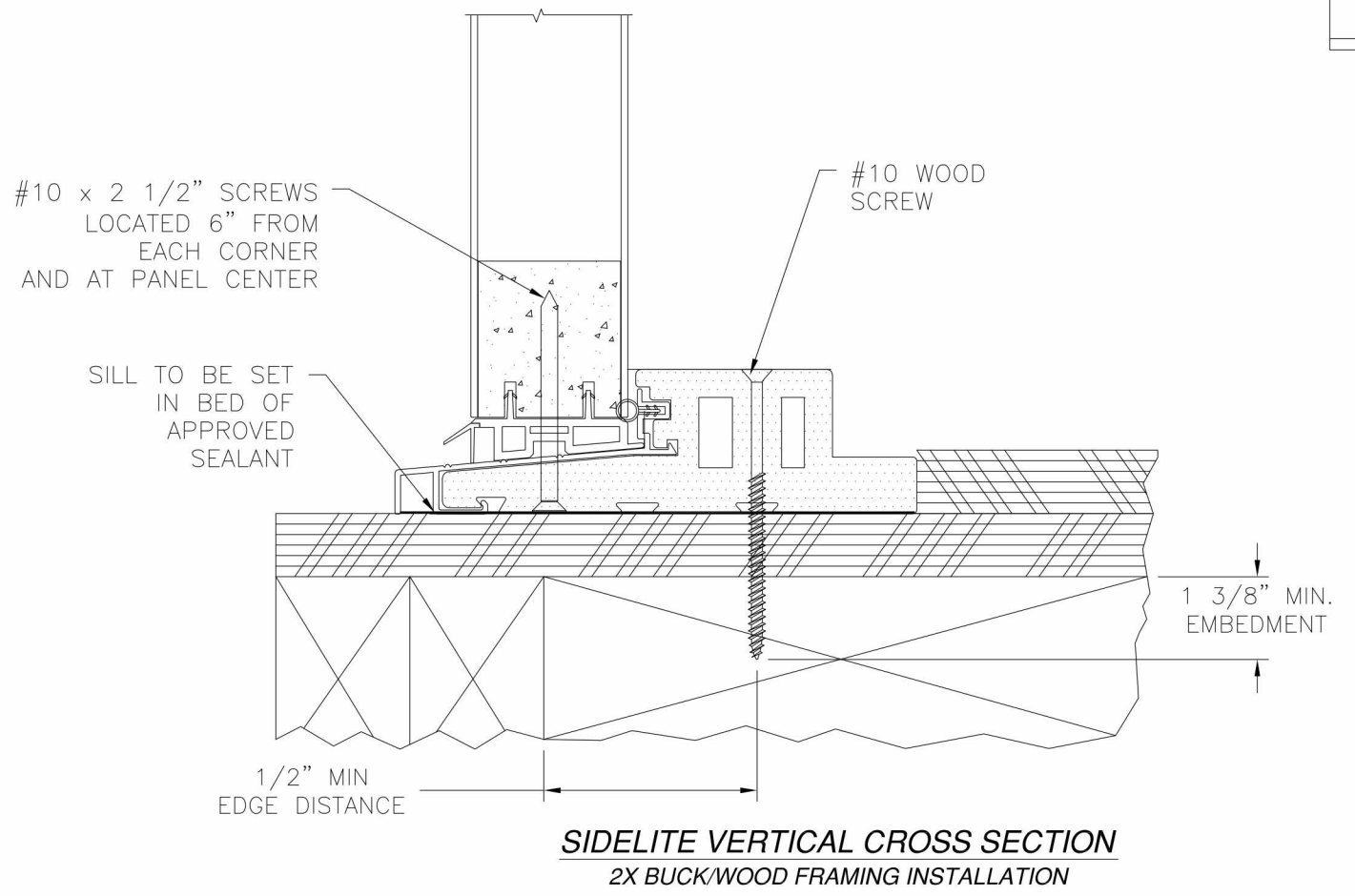
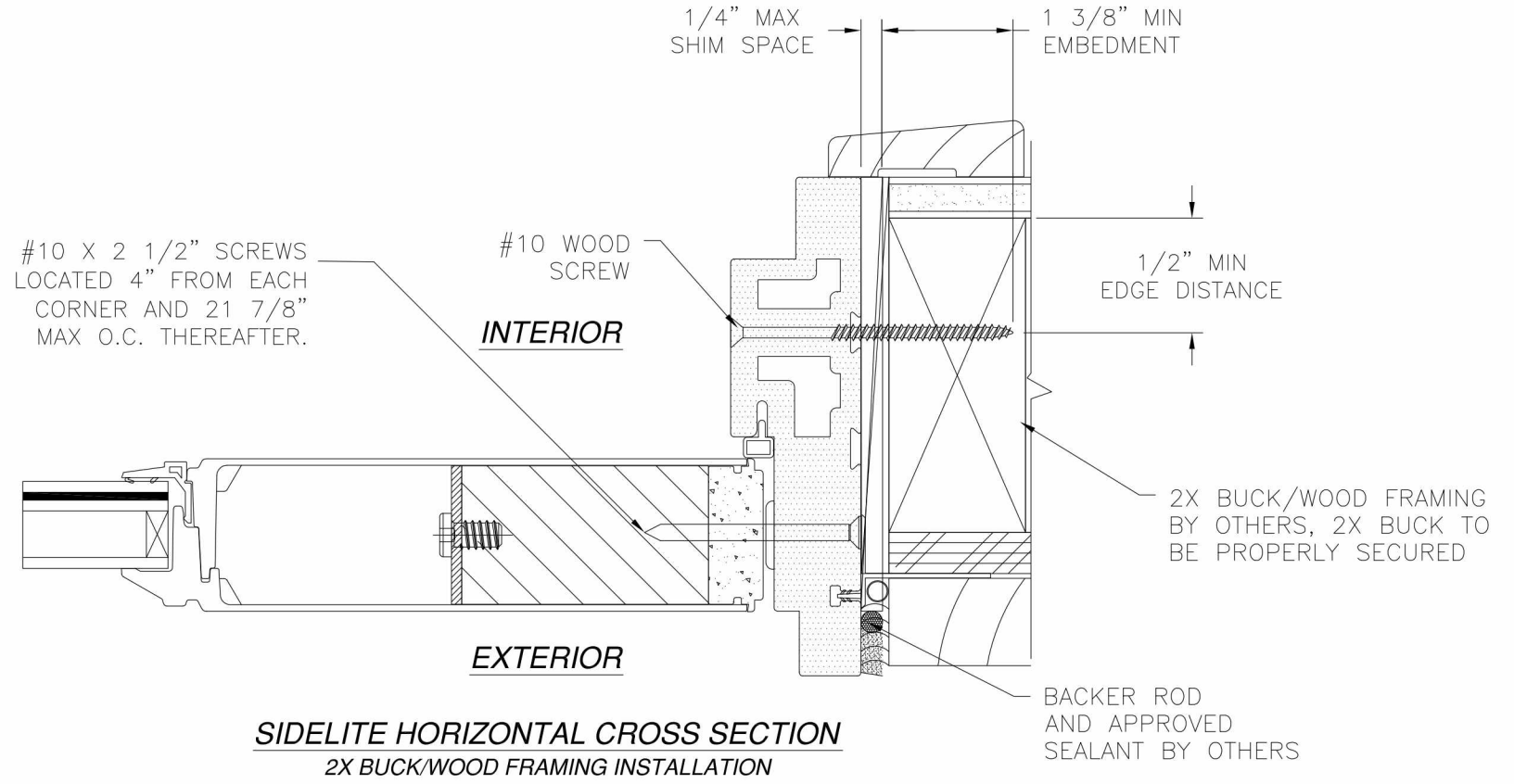
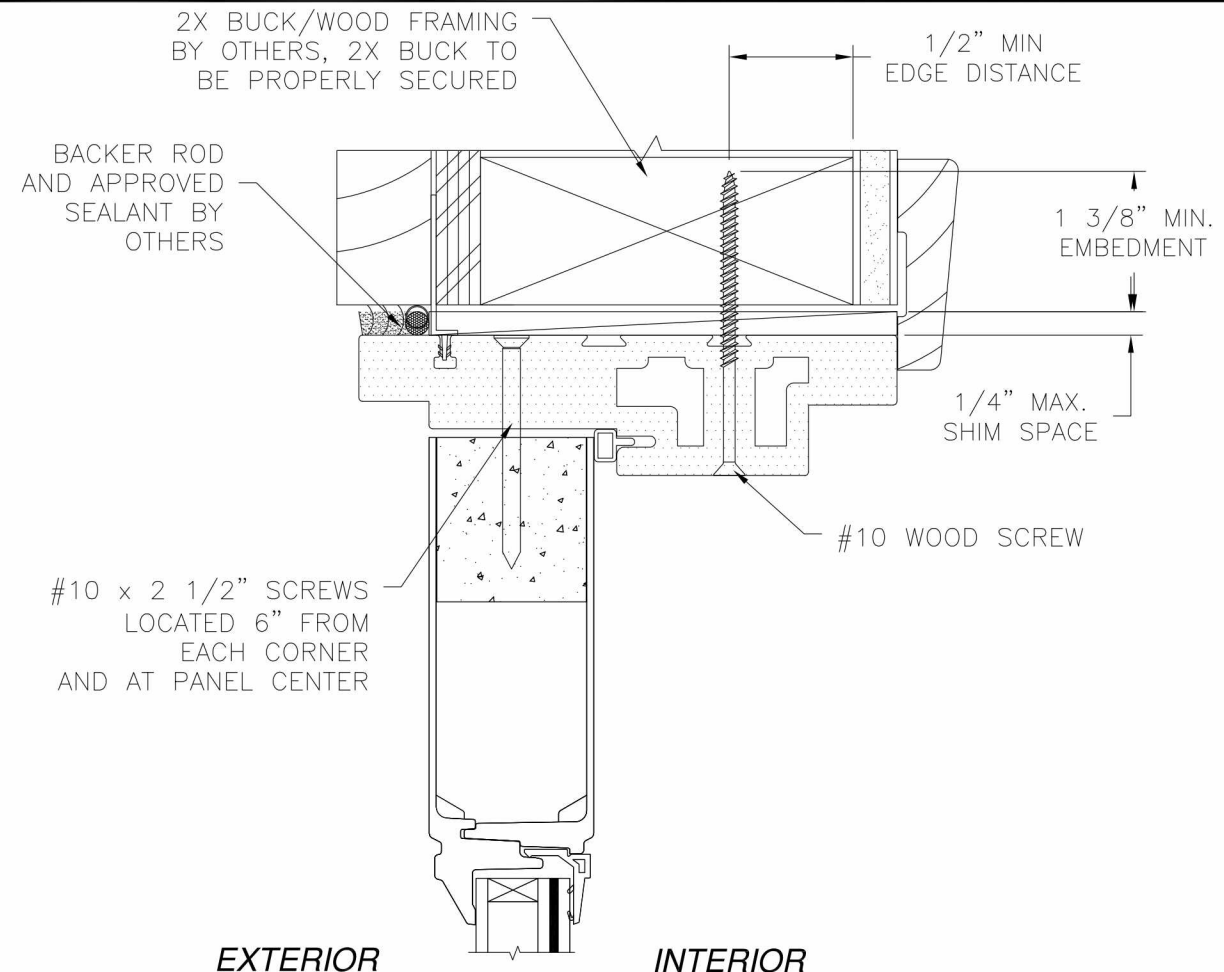
SERIES 9'0 x 8'0 FIBERGLASS OUT-SWING
DOUBLE DOOR W/ AND W/O SIDELITES
INSTALLATION DETAILS

DRAWN: TJH DWG NO. 08-01166 REV C

SCALE NTS DATE 11/05/10 SHEET 4 OF 8



REVISIONS			
REV	DESCRIPTION	DATE	APPROVED
A	ADDED ANCHOR NOTE	05/29/12	R.L.
B	ADDED EDGE DISTANCES	11/05/14	R.L.
C	REVISED SIDELITE INSTALLATION DETAIL	05/13/15	R.L.



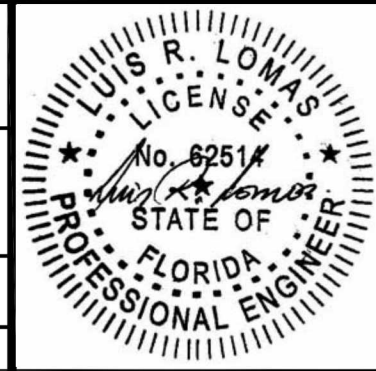
NOTES:
 1. INTERIOR AND EXTERIOR FINISHES, BY OTHERS, NOT SHOWN FOR CLARITY.
 2. PERIMETER AND JOINT SEALANT BY OTHERS TO BE DESIGNED IN ACCORDANCE WITH ASTM E2112

SIGNED: 05/14/2015

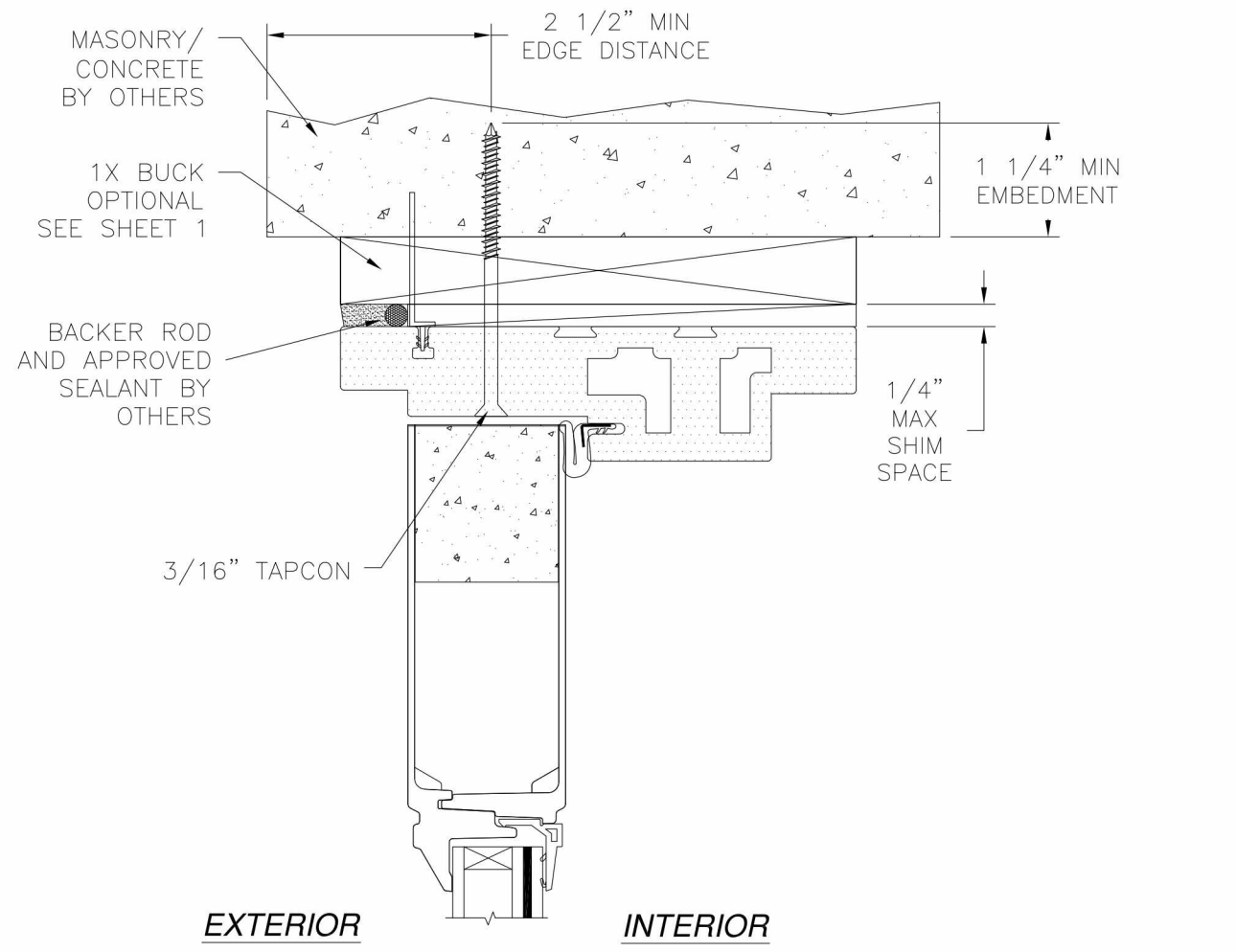
NAN YA PLASTICS CORP. USA
 8989 NORTH LOOP EAST
 HOUSTON, TX 77029

SERIES 9'0 x 8'0 FIBERGLASS OUT-SWING
 DOUBLE DOOR W/ AND W/O SIDELITES
 INSTALLATION DETAILS

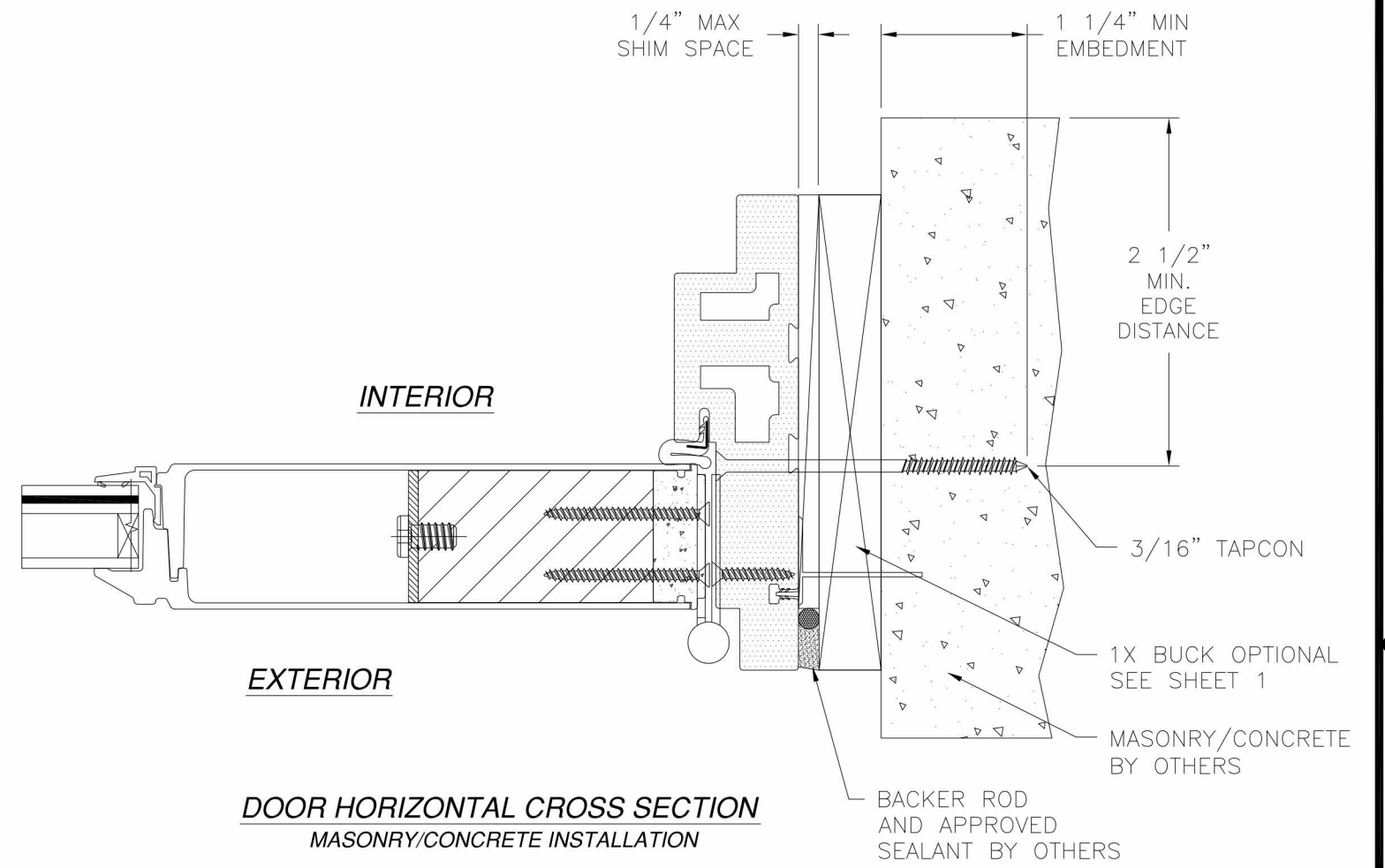
DRAWN: TJH	DWG NO. 08-01166	REV C
SCALE NTS	DATE 11/05/10	SHEET 5 OF 8



REVISIONS			
REV	DESCRIPTION	DATE	APPROVED
A	ADDED ANCHOR NOTE	05/29/12	R.L.
B	ADDED EDGE DISTANCES	11/05/14	R.L.
C	REVISED SIDELITE INSTALLATION DETAIL	05/13/15	R.L.



DOOR VERTICAL CROSS SECTION
MASONRY/CONCRETE INSTALLATION



DOOR HORIZONTAL CROSS SECTION
MASONRY/CONCRETE INSTALLATION

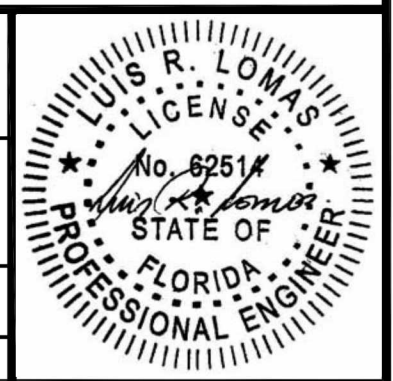
- NOTES:**
1. INTERIOR AND EXTERIOR FINISHES, BY OTHERS, NOT SHOWN FOR CLARITY.
 2. PERIMETER AND JOINT SEALANT BY OTHERS TO BE DESIGNED IN ACCORDANCE WITH ASTM E2112

SIGNED: 05/14/2015

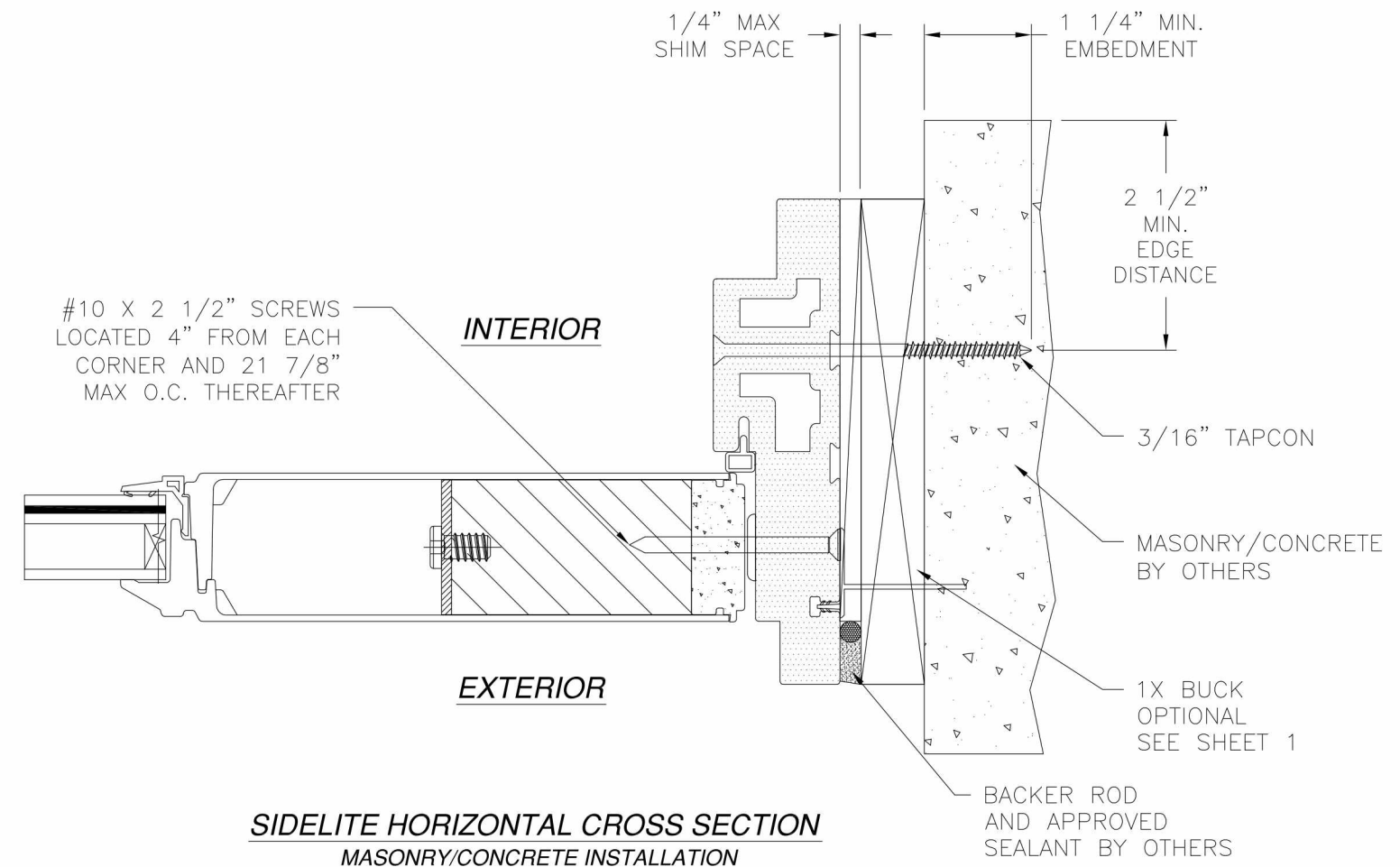
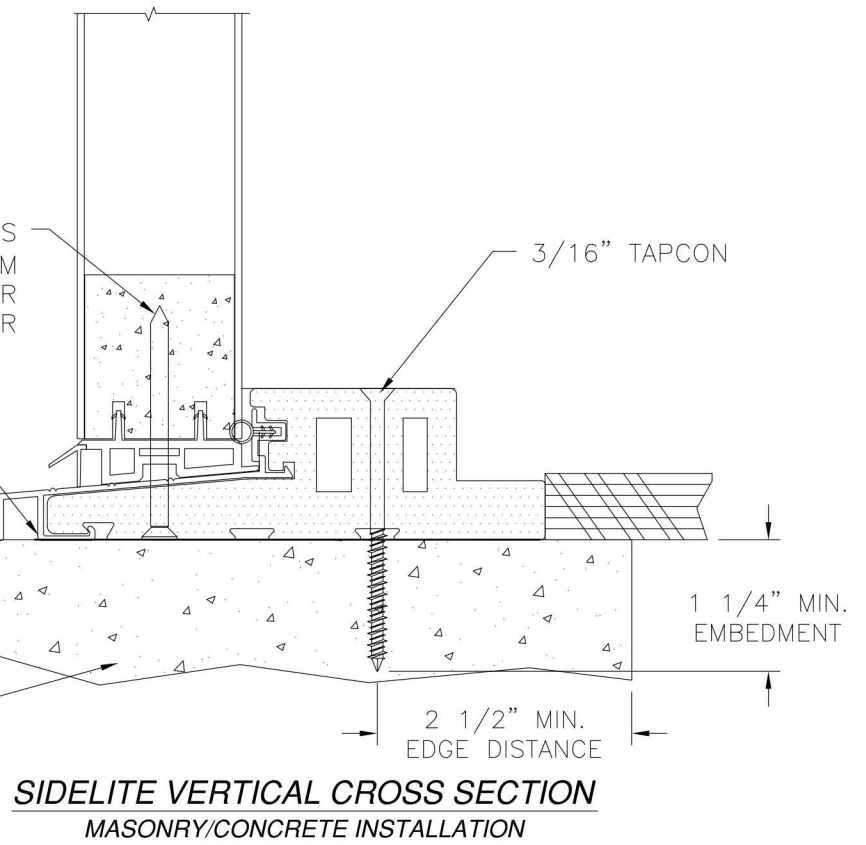
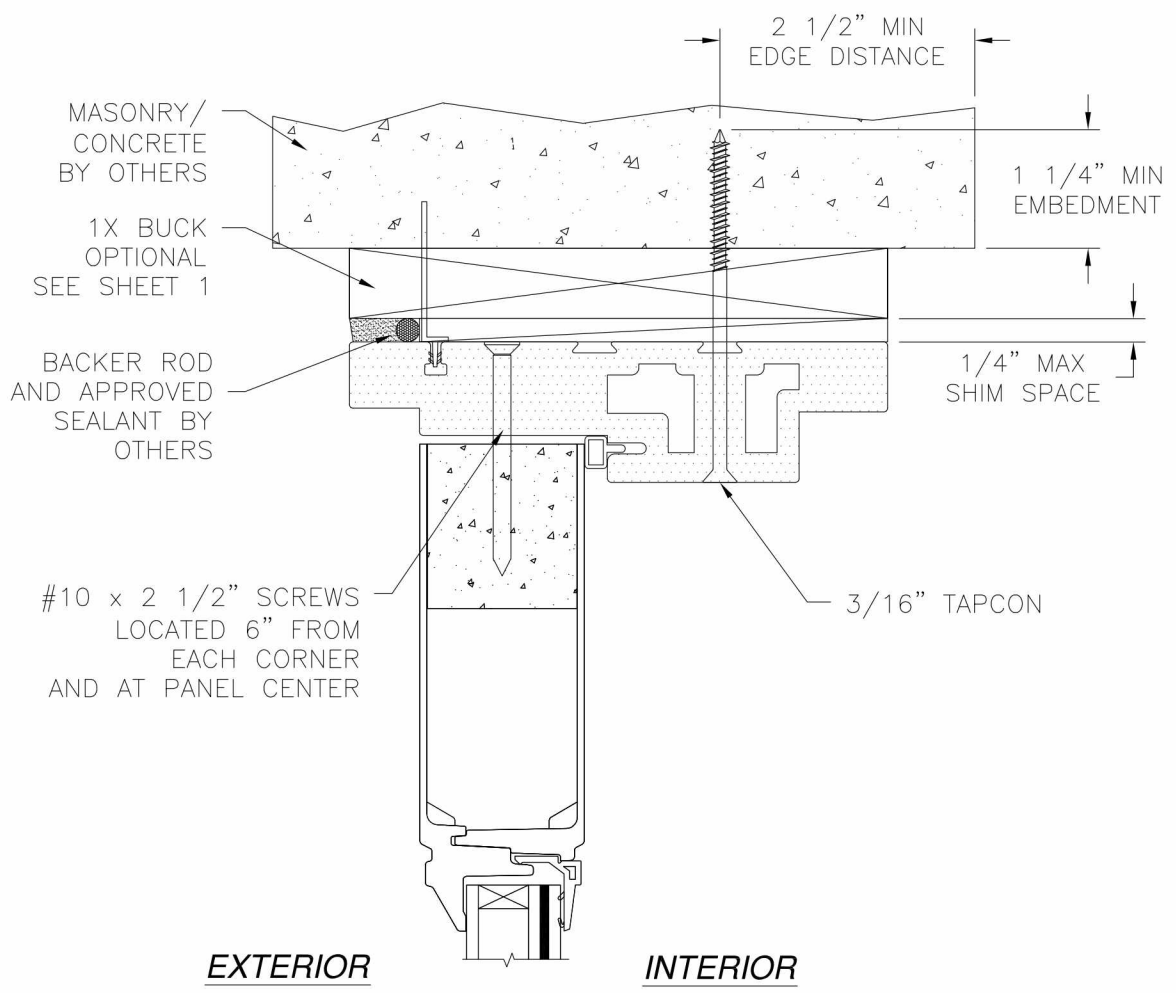
NAN YA PLASTICS CORP. USA
8989 NORTH LOOP EAST
HOUSTON, TX 77029

SERIES 9'0 x 8'0 FIBERGLASS OUT-SWING
DOUBLE DOOR W/ AND W/O SIDELITES
INSTALLATION DETAILS

DRAWN: TJH	DWG NO. 08-01166	REV C
SCALE NTS	DATE 11/05/10	SHEET 6 OF 8



REVISIONS			
REV	DESCRIPTION	DATE	APPROVED
A	ADDED ANCHOR NOTE	05/29/12	R.L.
B	ADDED EDGE DISTANCES	11/05/14	R.L.
C	REVISED SIDELITE INSTALLATION DETAIL	05/13/15	R.L.



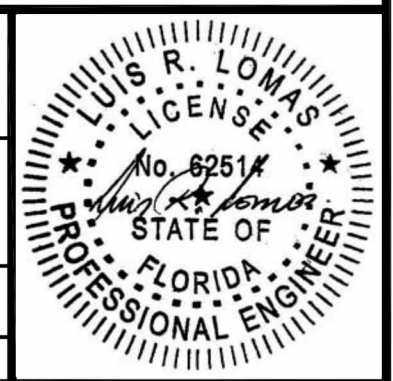
- NOTES:
1. INTERIOR AND EXTERIOR FINISHES, BY OTHERS, NOT SHOWN FOR CLARITY.
 2. PERIMETER AND JOINT SEALANT BY OTHERS TO BE DESIGNED IN ACCORDANCE WITH ASTM E2112

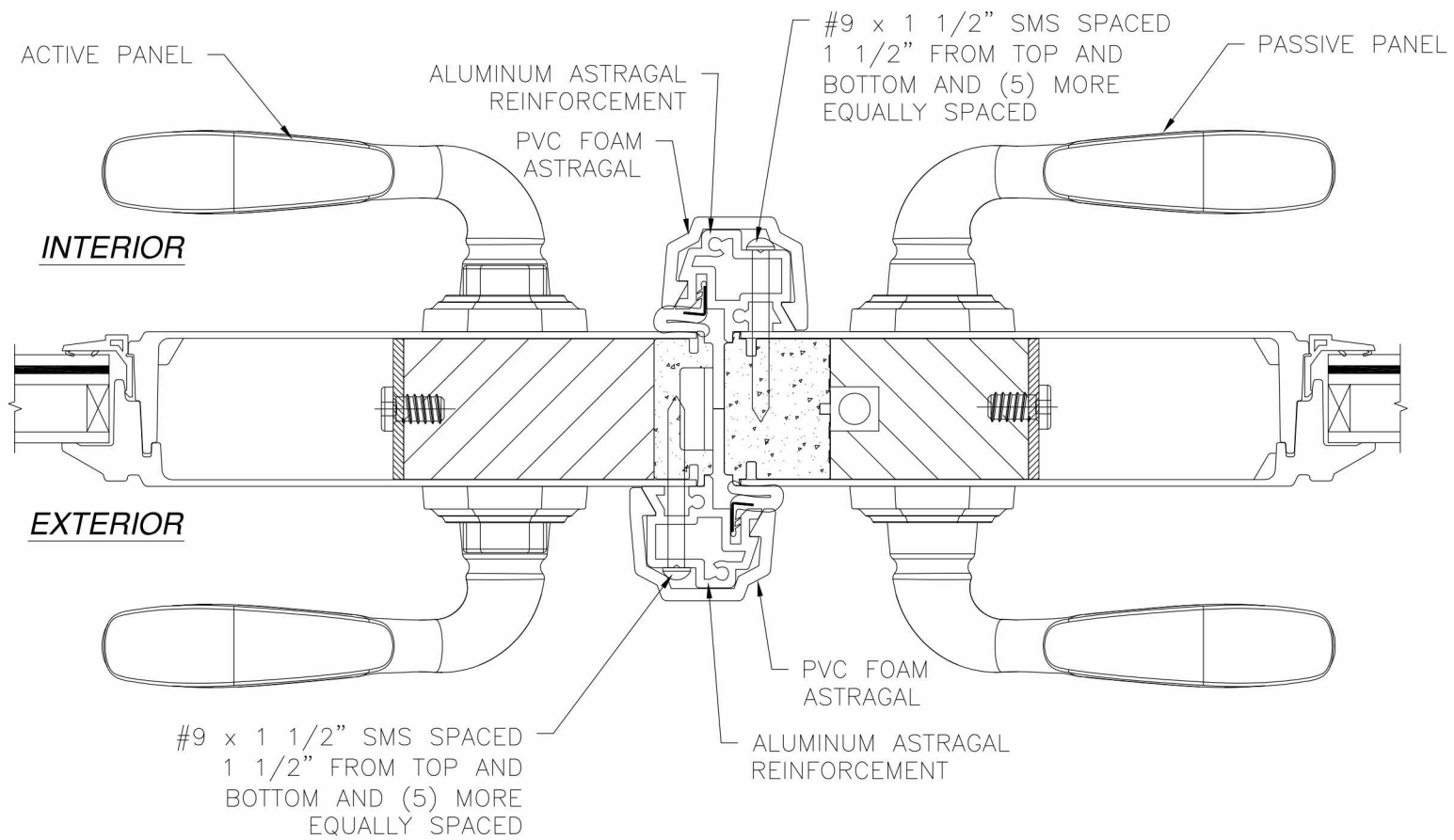
SIGNED: 05/14/2015

NAN YA PLASTICS CORP. USA
8989 NORTH LOOP EAST
HOUSTON, TX 77029

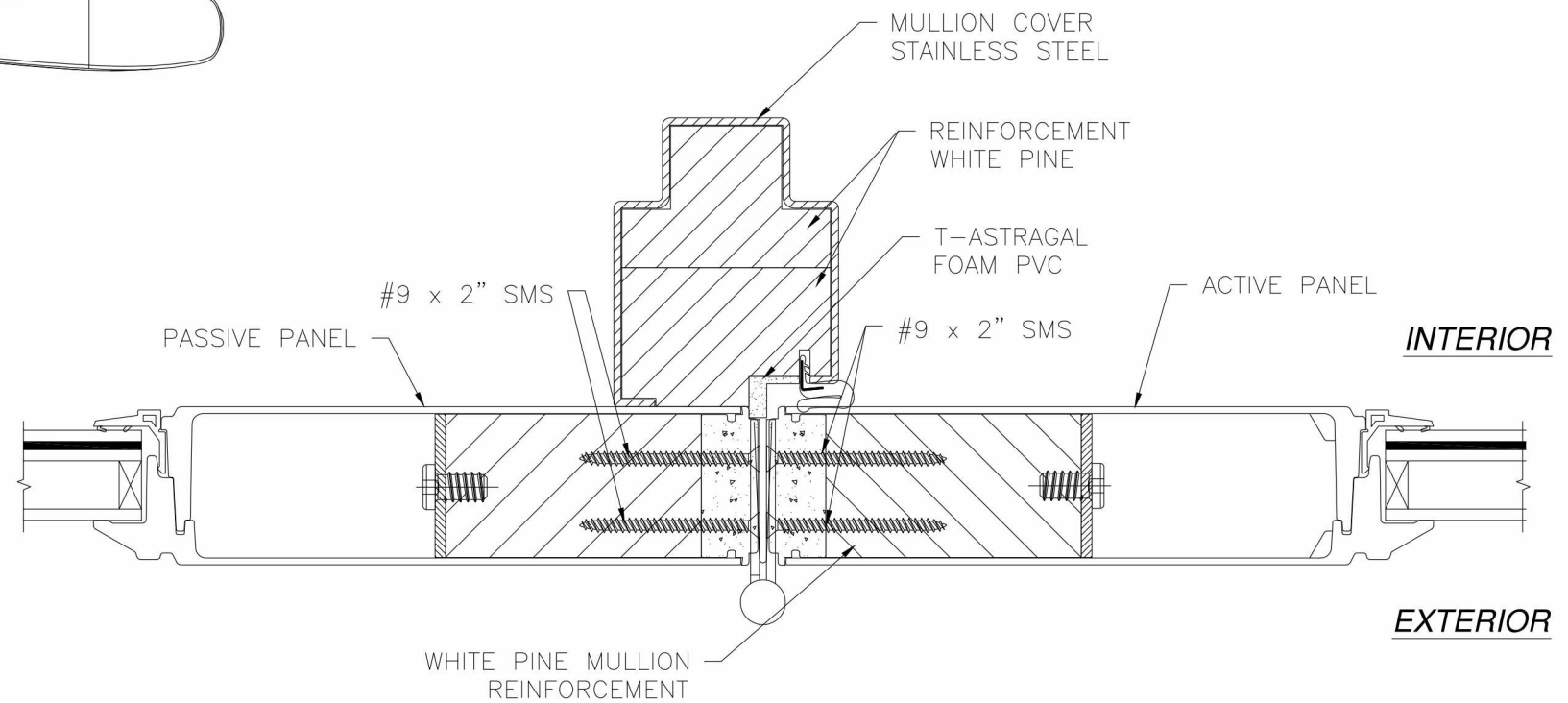
SERIES 9'0 x 8'0 FIBERGLASS OUT-SWING
DOUBLE DOOR W/ AND W/O SIDELITES
INSTALLATION DETAILS

DRAWN: TJH	DWG NO. 08-01166	REV C
SCALE NTS	DATE 11/05/10	SHEET 7 OF 8





**HORIZONTAL CROSS SECTION
ASTRAGAL DETAIL**



**HORIZONTAL CROSS SECTION
MULLION DETAIL**

REVISIONS			
REV	DESCRIPTION	DATE	APPROVED
A	ADDED ANCHOR NOTE	05/29/12	R.L.
B	ADDED EDGE DISTANCES	11/05/14	R.L.
C	REVISED SIDELITE INSTALLATION DETAIL	05/13/15	R.L.

SIGNED: 05/14/2015

NAN YA PLASTICS CORP. USA
8989 NORTH LOOP EAST
HOUSTON, TX 77029

SERIES 9'0 x 8'0 FIBERGLASS OUT-SWING
DOUBLE DOOR W/ AND W/O SIDELITES
ASTRAGAL AND MULLION DETAILS

DRAWN: TJH	DWG NO. 08-01166	REV C
SCALE NTS	DATE 11/05/10	SHEET 8 OF 8

