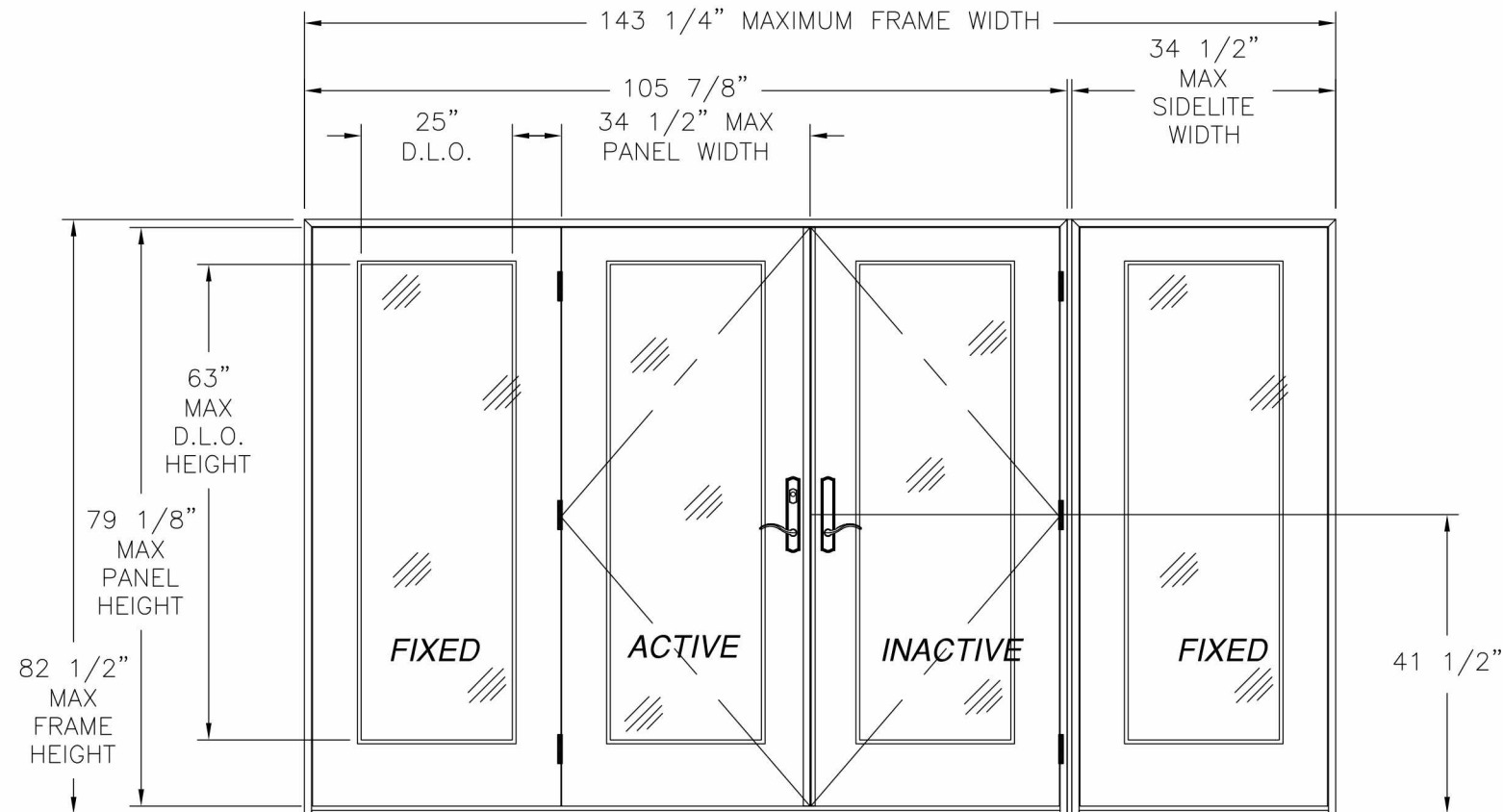


REVISIONS			
REV	DESCRIPTION	DATE	APPROVED
A	ADDED EDGE DISTANCES	11/05/14	R.L
B	REVISED SIDELITE INSTALLATION DETAILS	06/01/15	R.L



**IN-SWING ENTRANCE**  
**DOUBLE DOOR W/ SIDELITES**  
**EXTERIOR VIEW**

**NOTES:**

1. THE PRODUCT SHOWN HEREIN IS DESIGNED AND MANUFACTURED TO COMPLY WITH REQUIREMENTS OF THE FLORIDA BUILDING CODE.
2. WOOD FRAMING AND MASONRY OPENING TO BE DESIGNED AND ANCHORED TO PROPERLY TRANSFER ALL LOADS TO STRUCTURE. FRAMING AND MASONRY OPENING IS THE RESPONSIBILITY OF THE ARCHITECT OR ENGINEER OF RECORD.
3. 1X BUCK OVER MASONRY/CONCRETE IS OPTIONAL. WHERE 1X BUCK IS NOT USED DISSIMILAR MATERIALS MUST BE SEPARATED WITH APPROVED COATING OR MEMBRANE. SELECTION OF COATING OR MEMBRANE IS THE RESPONSIBILITY OF THE ARCHITECT OR ENGINEER OF RECORD.
4. UNITS MUST BE GLAZED PER ASTM E1300-04, SEE SHEET 5 FOR GLASS DETAILS.
5. APPROVED IMPACT PROTECTIVE SYSTEM IS REQUIRED FOR THIS PRODUCT IN WIND BORNE DEBRIS REGIONS.
6. FRAME JAMB AND HEAD MATERIAL: CO-EXTRUDED PVC FOAM 1 1/2" THICK.
7. FRAME SILL MATERIAL: CO-EXTRUDED PVC FOAM 2" THICK WITH ALUMINUM CLADDING .063" THICK.
8. DOOR PANEL AND SIDELITE MATERIAL: .075" THICK FIBERGLASS SKIN WITH PVC FOAM TOP AND BOTTOM RAILS, AND PVC FOAM VERTICAL STILES WITH PINE REINFORCEMENTS AND POLYURETHANE FOAM CORE.
9. APPROVED CONFIGURATIONS: O, X, OX, XO, XX, OXO, XXO, OXX AND OXXO. SEE SHEET 2.
10. HINGES LOCATED AT 8", 39 3/4" AND 71 1/2" FROM BOTTOM OF PANEL

DESIGN PRESSURE RATING		IMPACT RATING
+40.0/-60.0	±60PSF	NONE
WHERE WATER REQUIREMENT IS NEEDED	WHERE WATER REQUIREMENT IS NOT NEEDED	

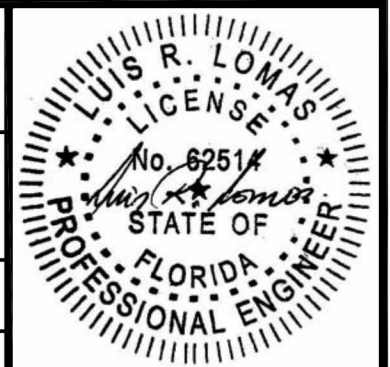
SIGNED: 06/02/2015

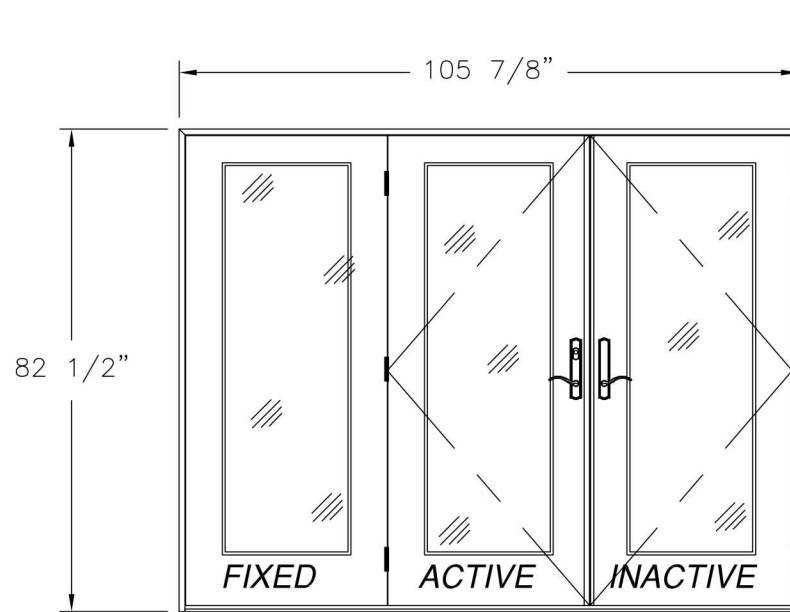
TABLE OF CONTENTS	
SHEET NO.	DESCRIPTION
1	ELEVATION AND NOTES
2	ADDITIONAL CONFIGURATIONS AND HARDWARE
3 - 4	ANCHORING LAYOUTS
5 - 9	INSTALLATION DETAILS

**NAN YA PLASTICS CORP. USA**  
8989 NORTH LOOP EAST  
HOUSTON, TX 77029

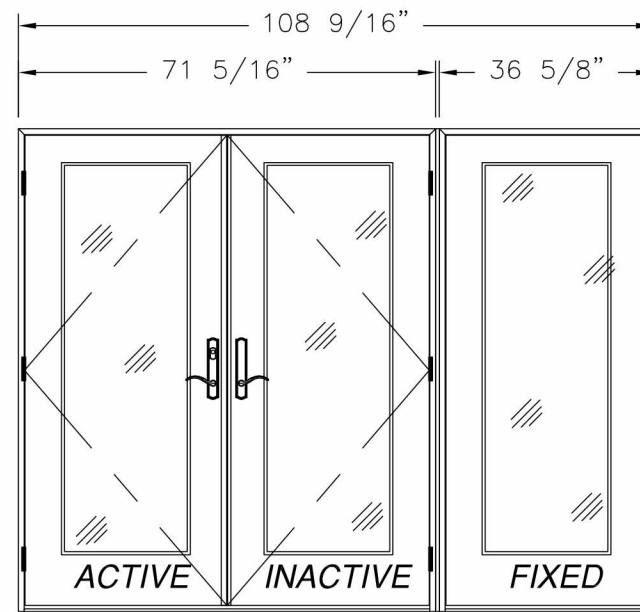
IN-SWING ENTRANCE DOOR  
W/ & W/O SIDELITES  
OXXO ELEVATION AND NOTES

DRAWN: V.L.	DWG NO. 08-01530	REV B
SCALE NTS	DATE 04/02/12	SHEET 1 OF 9

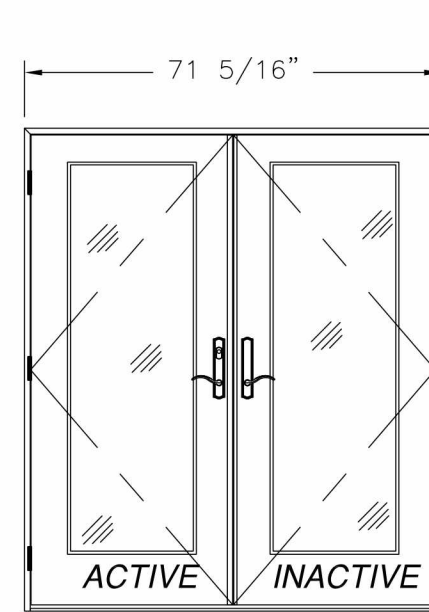




**DOUBLE W/SIDELITE**  
EXTERIOR VIEW

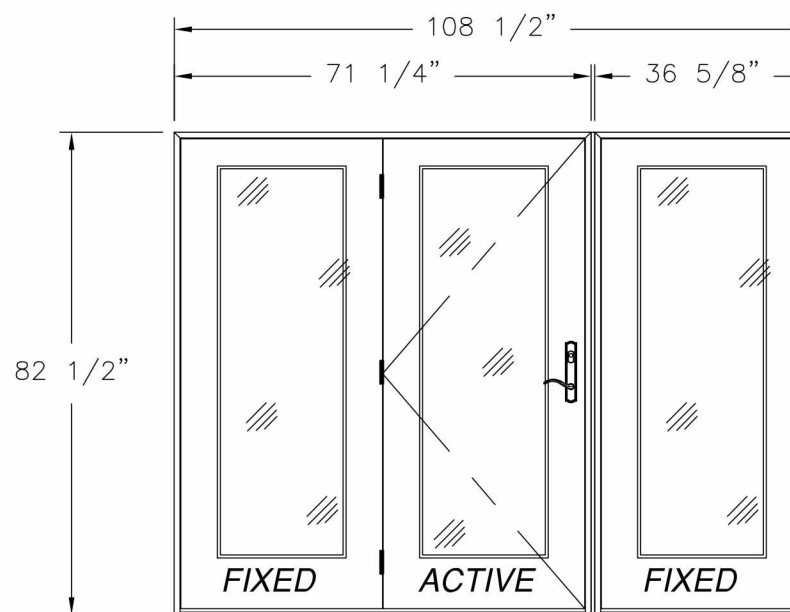


**DOUBLE W/SIDELITE (MULL)**  
EXTERIOR VIEW

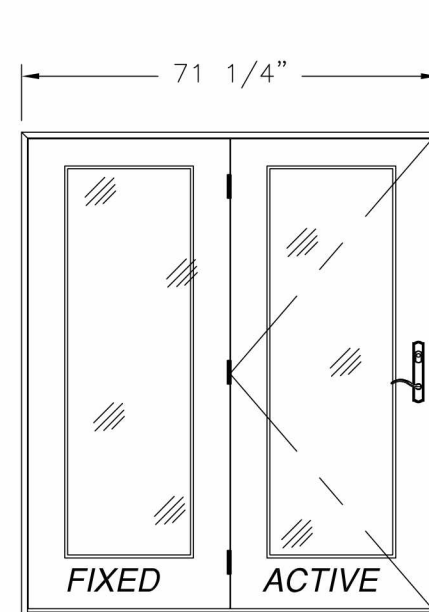


**DOUBLE**  
EXTERIOR VIEW

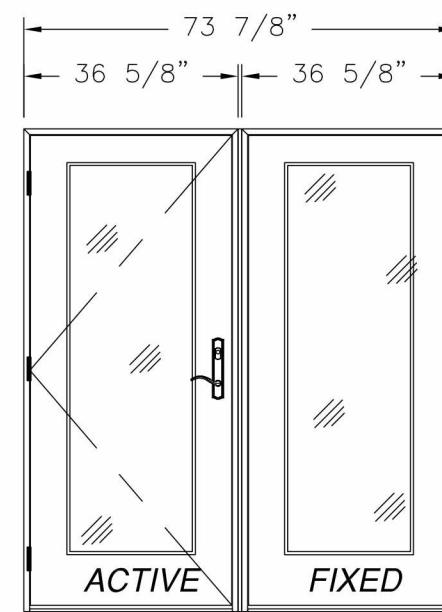
REVISIONS			
REV	DESCRIPTION	DATE	APPROVED
A	ADDED EDGE DISTANCES	11/05/14	R.L
B	REVISED SIDELITE INSTALLATION DETAILS	06/01/15	R.L



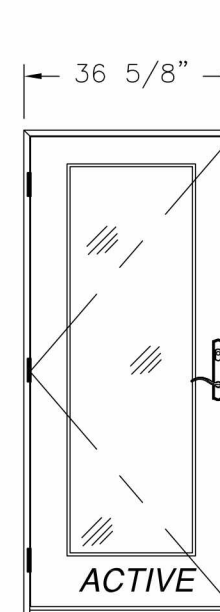
**SINGLE W/SIDELITE (MULL)**  
EXTERIOR VIEW



**SINGLE W/SIDELITE**  
EXTERIOR VIEW



**SINGLE W/SIDELITE (MULL)**  
EXTERIOR VIEW



**SINGLE**  
EXTERIOR VIEW

SIGNED: 06/02/2015

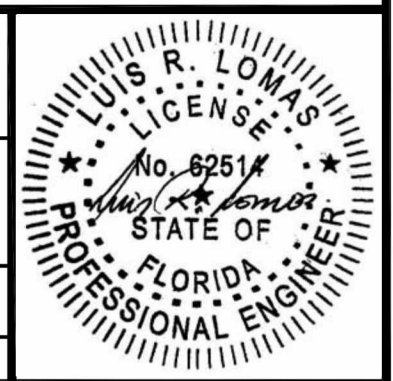
NOTE:  
ALL APPROVED CONFIGURATIONS ARE SHOWN AS LEFT HAND ACTIVE, RIGHT HAND ACTIVE IS ALSO APPROVED.

HARDWARE SCHEDULE	
A.	2 POINT LOCK BY NINGBO MICOTA (ACTIVE PANEL)
B.	(3) 4"x4" BUTT HINGES BY WENZHOU LONGTAI (PER PANEL)
C.	ALUMINUM & PVC FOAM ASTRAGAL BY NAN YA PLASTICS
D.	ALUMINUM & PVC FOAM MULLION BY NAN YA PLASTICS

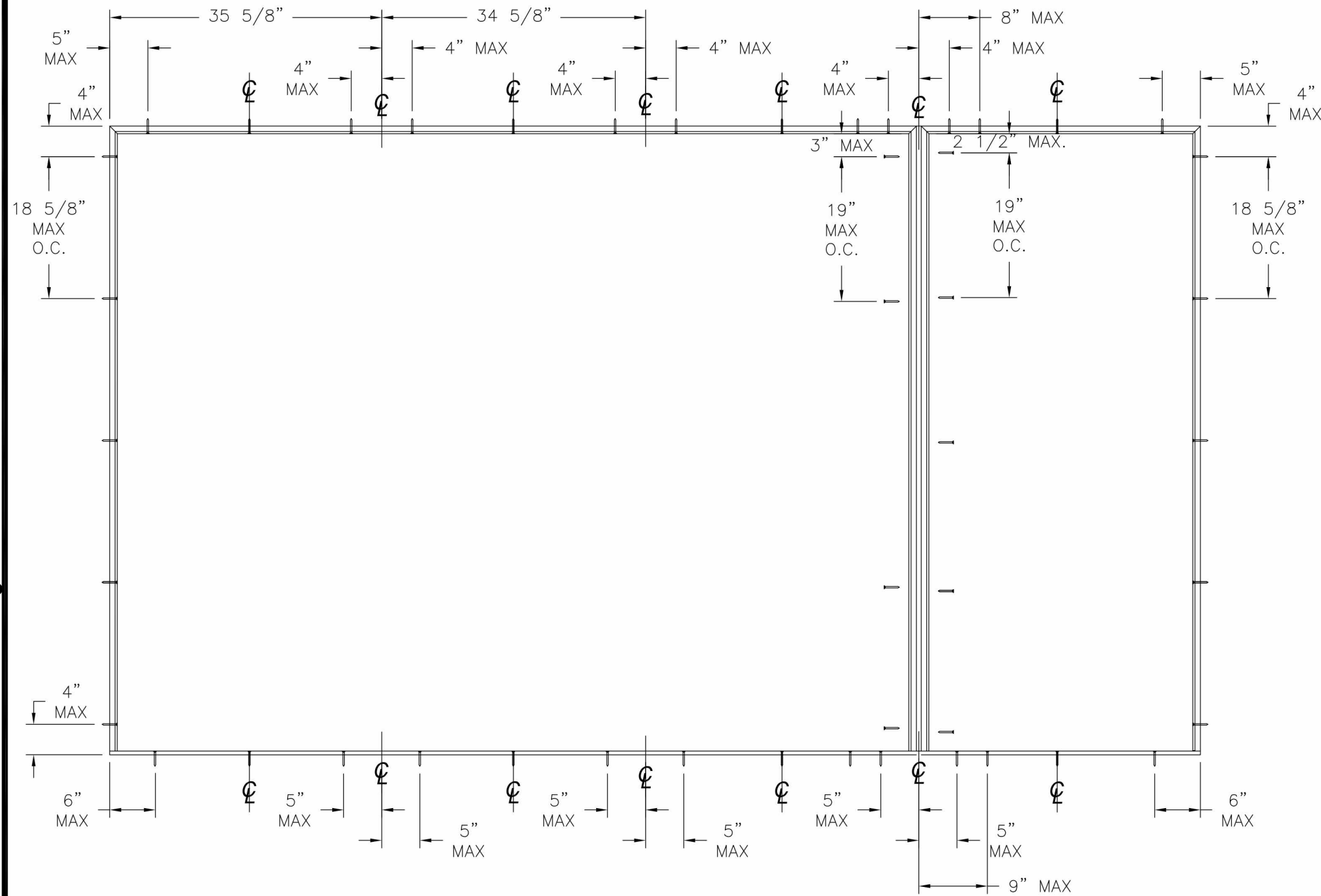
**NAN YA PLASTICS CORP. USA**  
8989 NORTH LOOP EAST  
HOUSTON, TX 77029

IN-SWING ENTRANCE DOOR  
W/ & W/O SIDELITES  
ADDITIONAL CONFIGURATIONS AND HARDWARE

DRAWN: V.L.	DWG NO. 08-01530	REV B
SCALE NTS	DATE 04/02/12	SHEET 2 OF 9



REVISIONS			
REV	DESCRIPTION	DATE	APPROVED
A	ADDED EDGE DISTANCES	11/05/14	R.L
B	REVISED SIDELITE INSTALLATION DETAILS	06/01/15	R.L



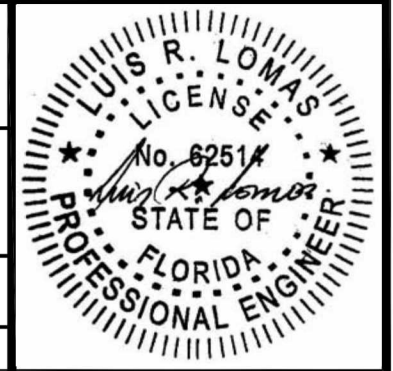
ANCHORING LAYOUT

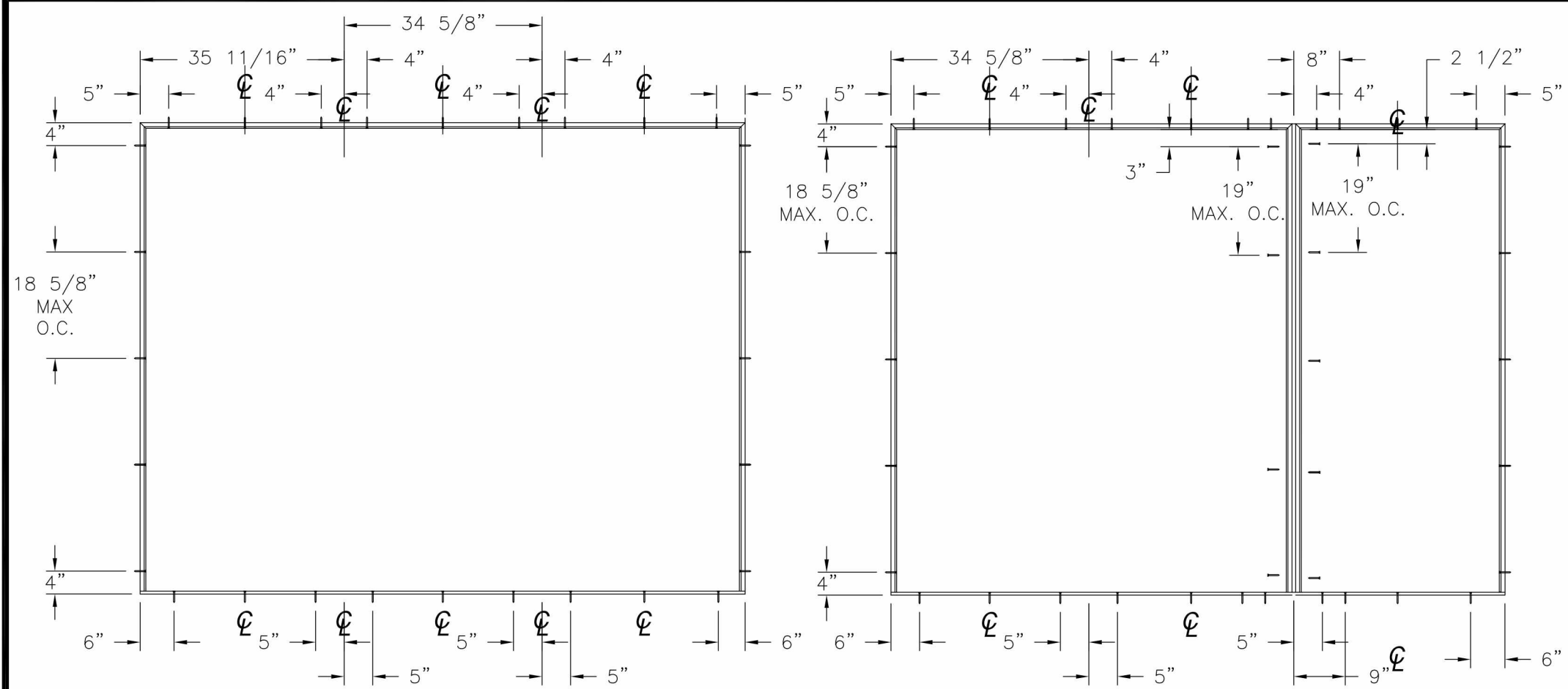
ANCHORING NOTES:

- 1) SHIM AS REQUIRED AT EACH INSTALLATION ANCHOR WITH LOAD BEARING SHIM. SHIM WHERE SPACE OF 1/16" OR GREATER OCCURS. MAXIMUM ALLOWABLE SHIM STACK TO BE 1/4".
- 2) FOR ANCHORING INTO MASONRY/CONCRETE USE 3/16" TAPCON OF SUFFICIENT LENGTH TO ACHIEVE A 1 1/4" MINIMUM EMBEDMENT INTO SUBSTRATE. LOCATE ANCHORS AS SHOWN IN ANCHORING LAYOUT AND INSTALLATION DETAILS.
- 3) FOR ANCHORING INTO 2X BUCK OR WOOD FRAMING USE #10 WOOD SCREW OF SUFFICIENT LENGTH TO ACHIEVE A 1 3/8" MINIMUM EMBEDMENT INTO SUBSTRATE. LOCATE ANCHORS AS SHOWN IN ANCHORING LAYOUT AND INSTALLATION DETAILS.
- 4) ALL FASTENERS TO BE CORROSION RESISTANT.
- 5) INSTALLATION ANCHORS SHALL BE INSTALLED IN ACCORDANCE WITH ANCHOR MANUFACTURER'S INSTALLATION INSTRUCTIONS, AND ANCHORS SHALL NOT BE USED IN SUBSTRATES WITH STRENGTHS LESS THAN THE MINIMUM STRENGTH SPECIFIED BELOW:
  - A. WOOD – MINIMUM SPECIFIC GRAVITY OF G=0.42
  - B. CONCRETE – MINIMUM COMPRESSIVE STRENGTH OF 3,200 PSI.
  - C. MASONRY – STRENGTH CONFORMANCE TO ASTM C-90, GRADE N, TYPE 1 (OR GREATER).

SIGNED: 06/02/2015

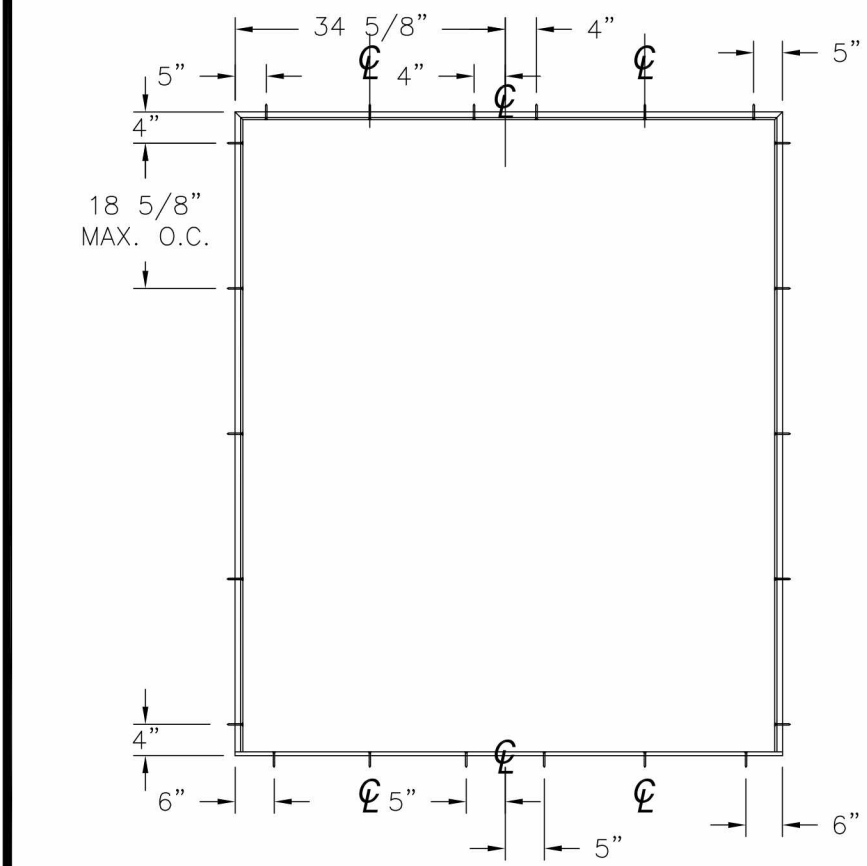
NAN YA PLASTICS CORP. USA 8989 NORTH LOOP EAST HOUSTON, TX 77029		
IN-SWING ENTRANCE DOOR W/ & W/O SIDELITES ANCHORING LAYOUTS		
DRAWN: V.L.	DWG NO. 08-01530	REV B
SCALE NTS	DATE 04/02/12	SHEET 3 OF 9



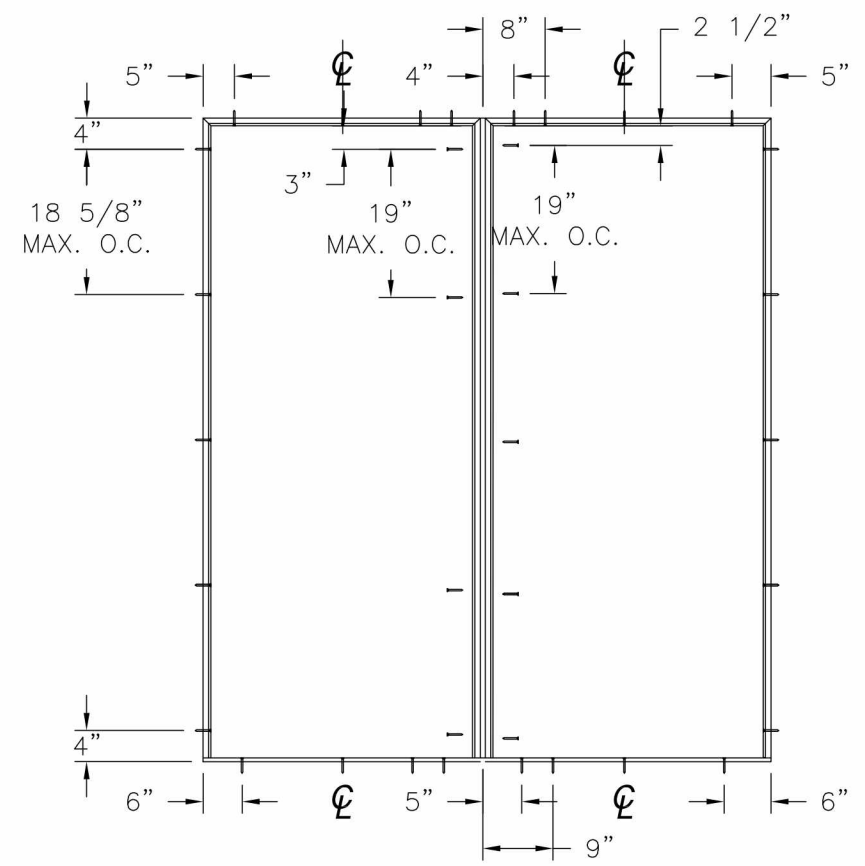


ANCHORING LAYOUT FOR OXO, XXO AND OXX

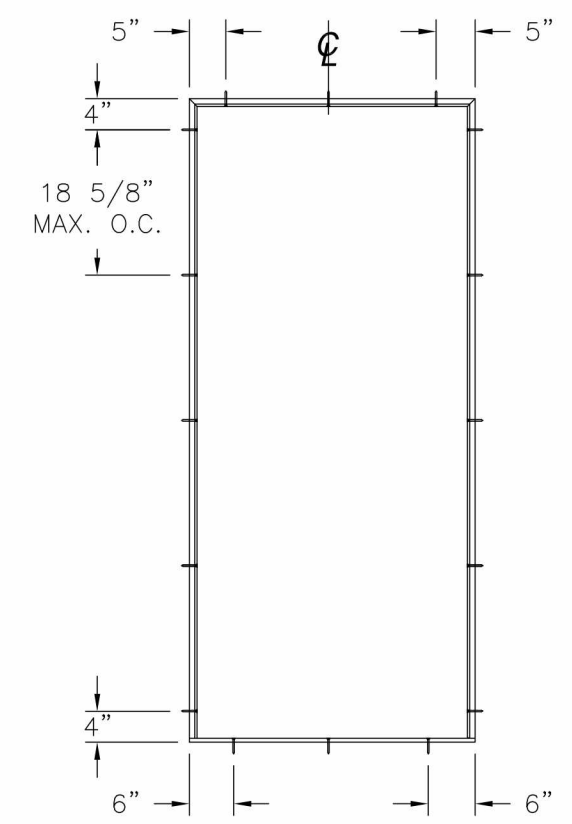
ANCHORING LAYOUT FOR OXO, XXO AND OXX (MULL)



ANCHORING LAYOUT FOR XX, OX AND XO



ANCHORING LAYOUT FOR OX AND XO (MULL)



ANCHORING LAYOUT FOR X

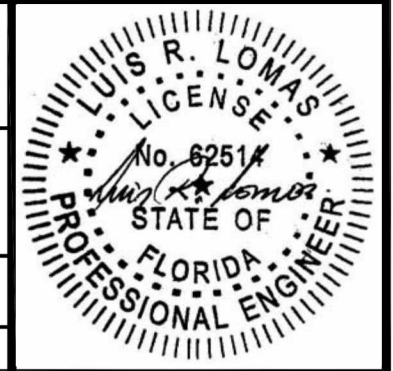
REVISIONS			
REV	DESCRIPTION	DATE	APPROVED
A	ADDED EDGE DISTANCES	11/05/14	R.L
B	REVISED SIDELITE INSTALLATION DETAILS	06/01/15	R.L

NAN YA PLASTICS CORP. USA  
 8989 NORTH LOOP EAST  
 HOUSTON, TX 77029

IN-SWING ENTRANCE DOOR  
 W/ & W/O SIDELITES  
 ANCHORING LAYOUTS

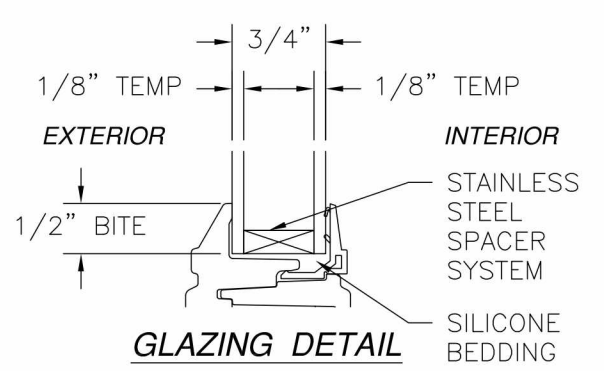
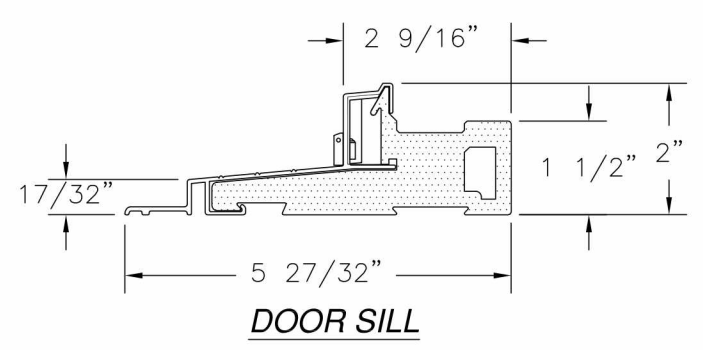
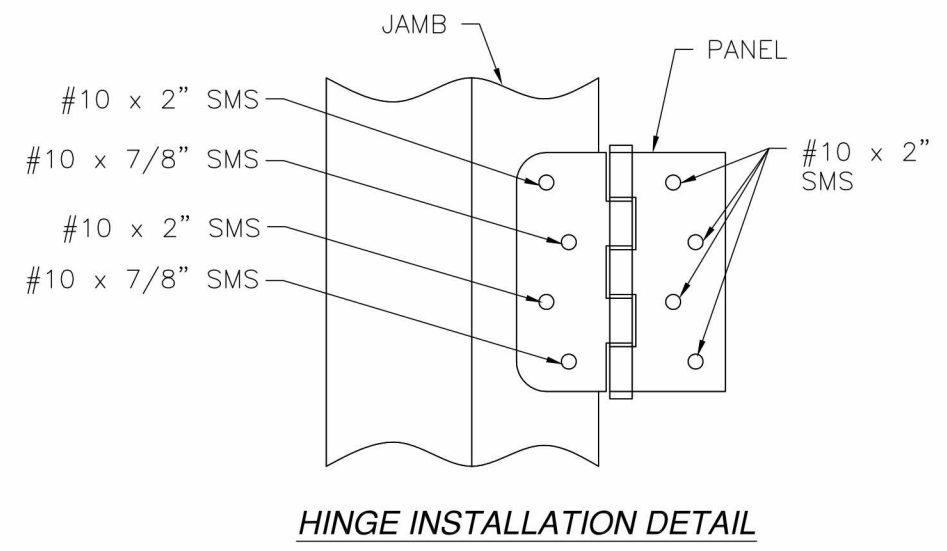
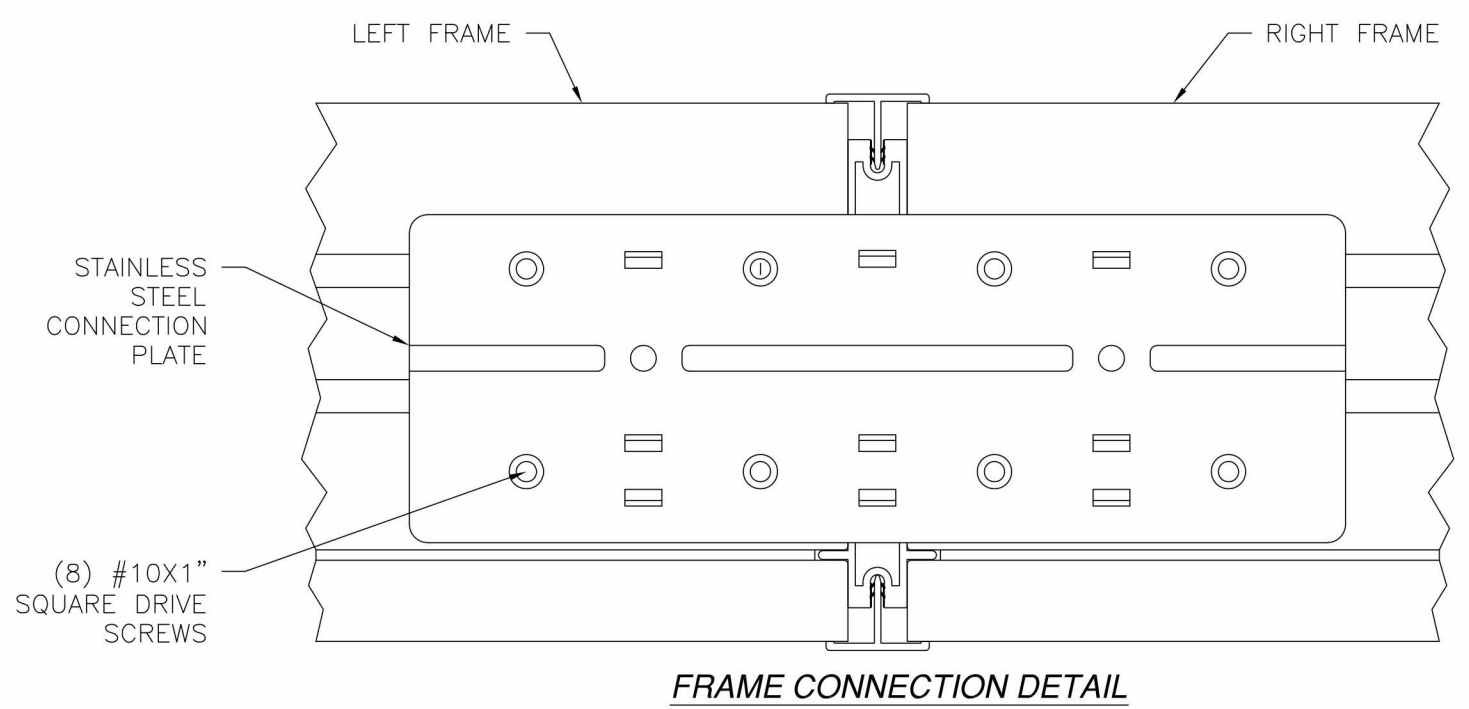
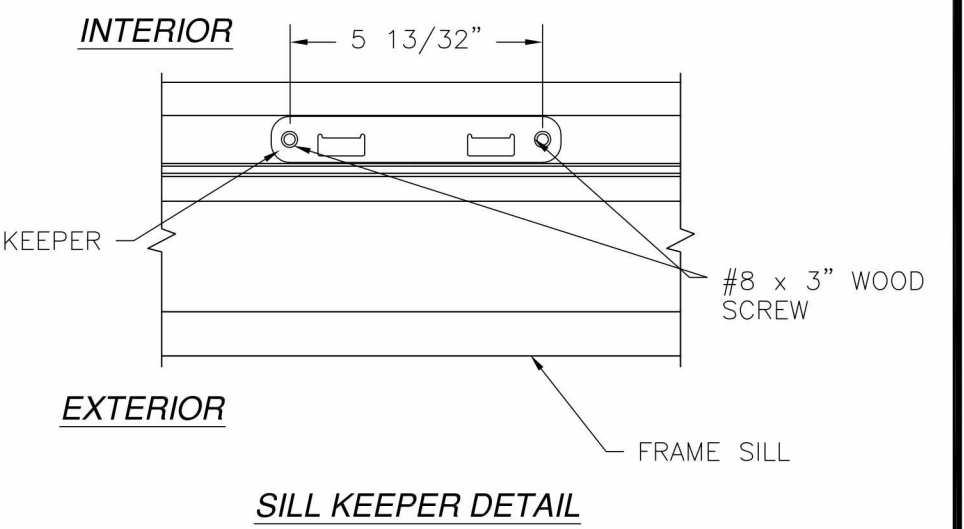
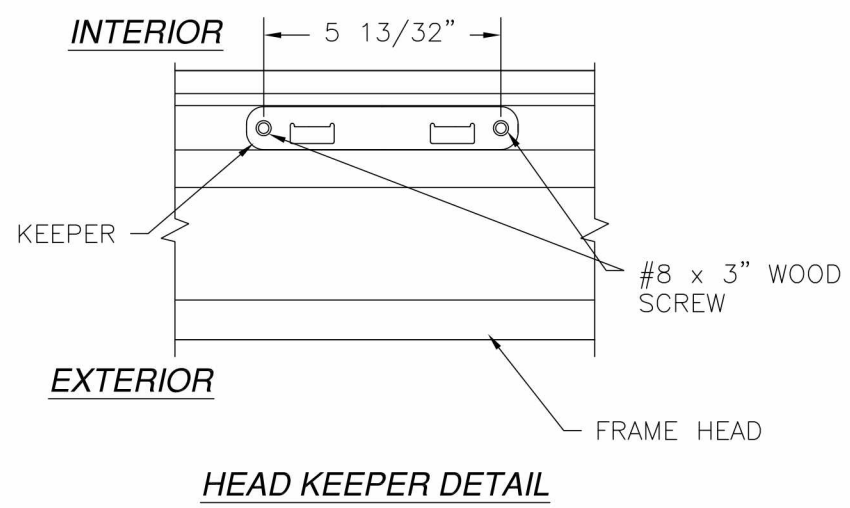
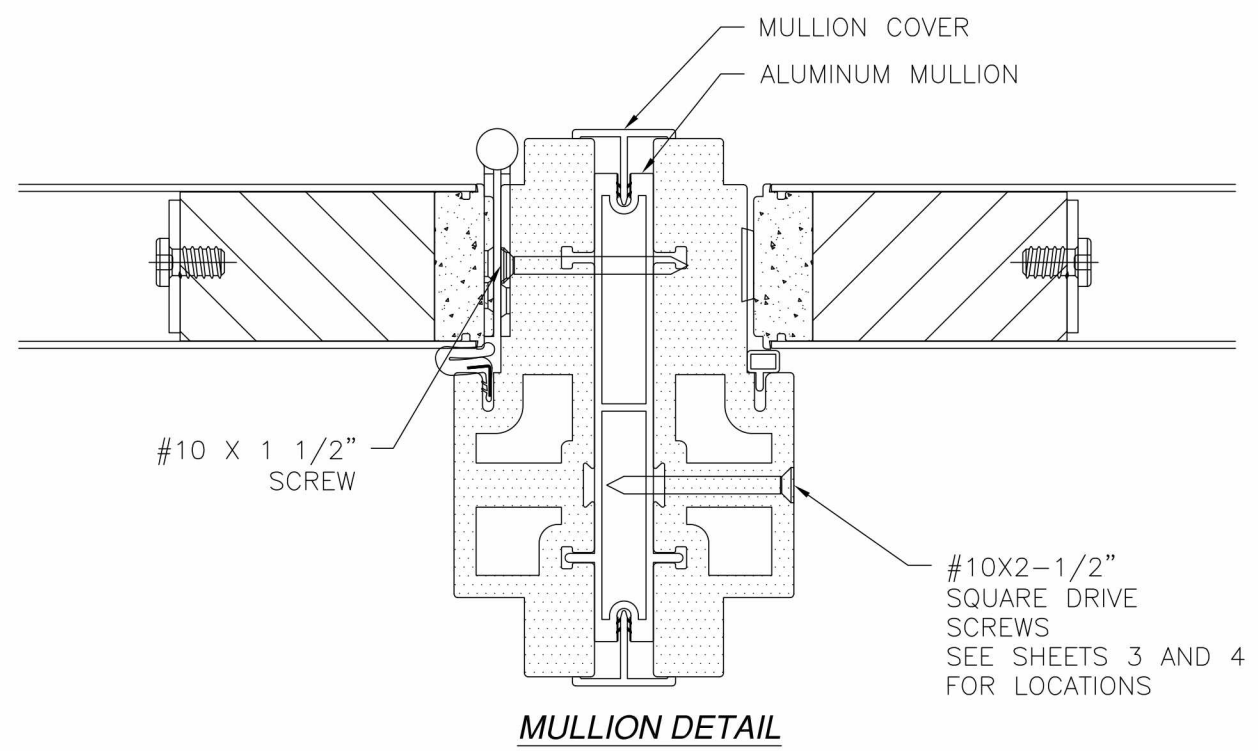
DRAWN: V.L. DWG NO. 08-01530 REV B  
 SCALE NTS DATE 04/02/12 SHEET 4 OF 9

SIGNED: 06/02/2015





REVISIONS			
REV	DESCRIPTION	DATE	APPROVED
A	ADDED EDGE DISTANCES	11/05/14	R.L
B	REVISED SIDELITE INSTALLATION DETAILS	06/01/15	R.L



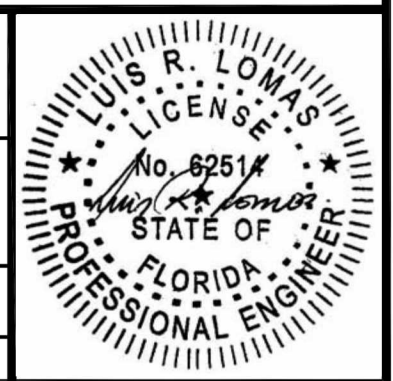
SIGNED: 06/02/2015

**NAN YA PLASTICS CORP. USA**  
8989 NORTH LOOP EAST  
HOUSTON, TX 77029

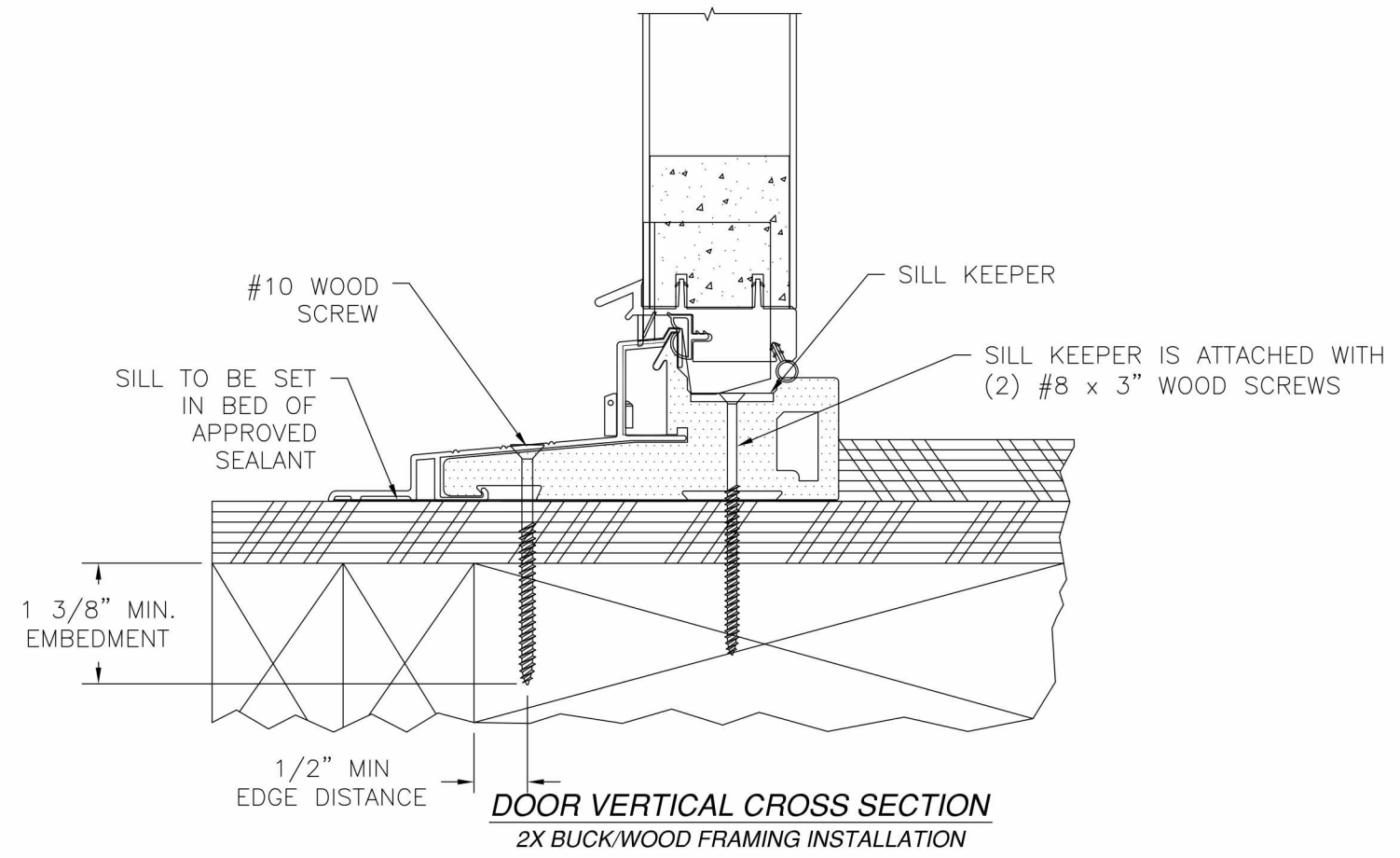
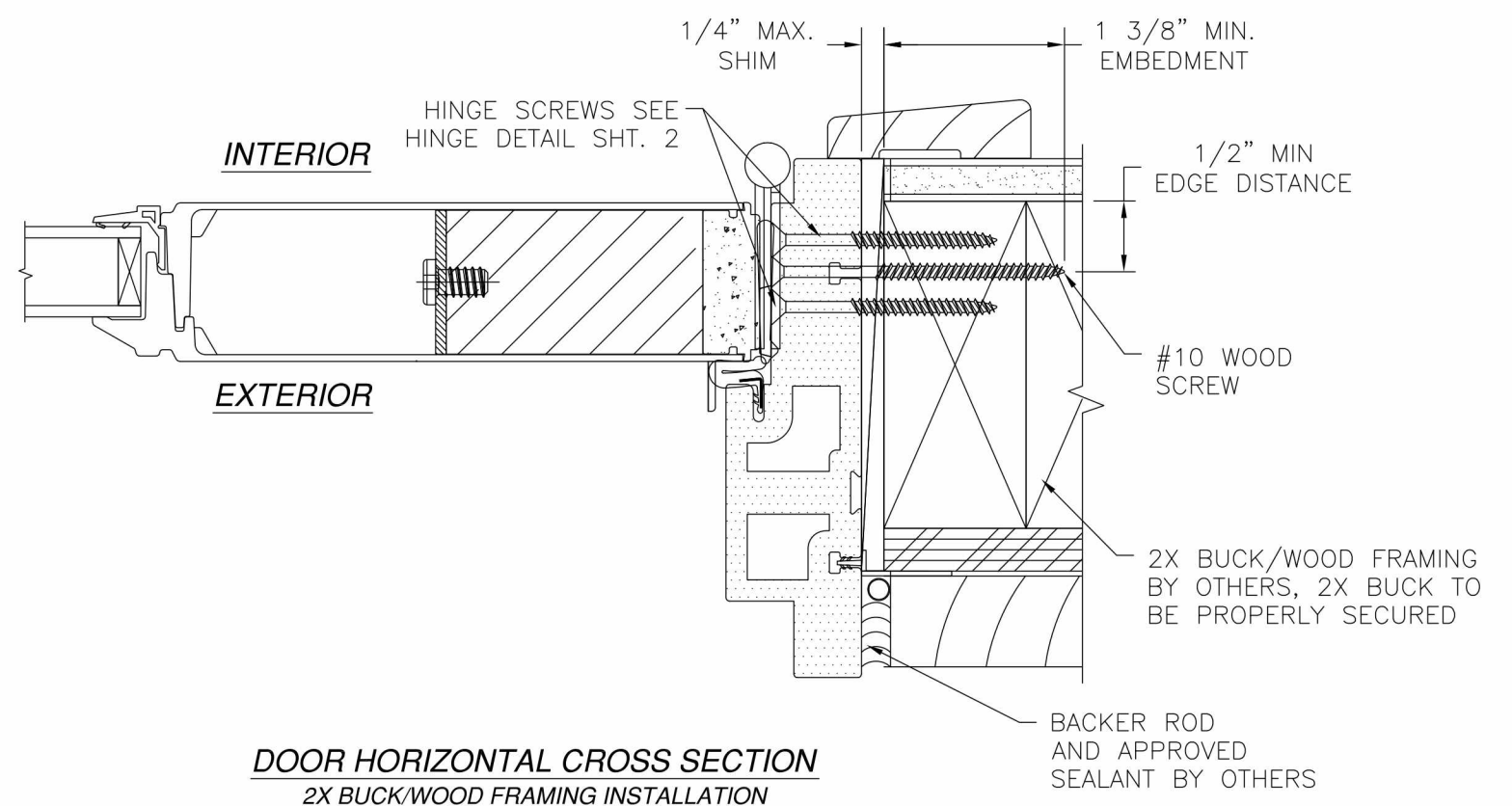
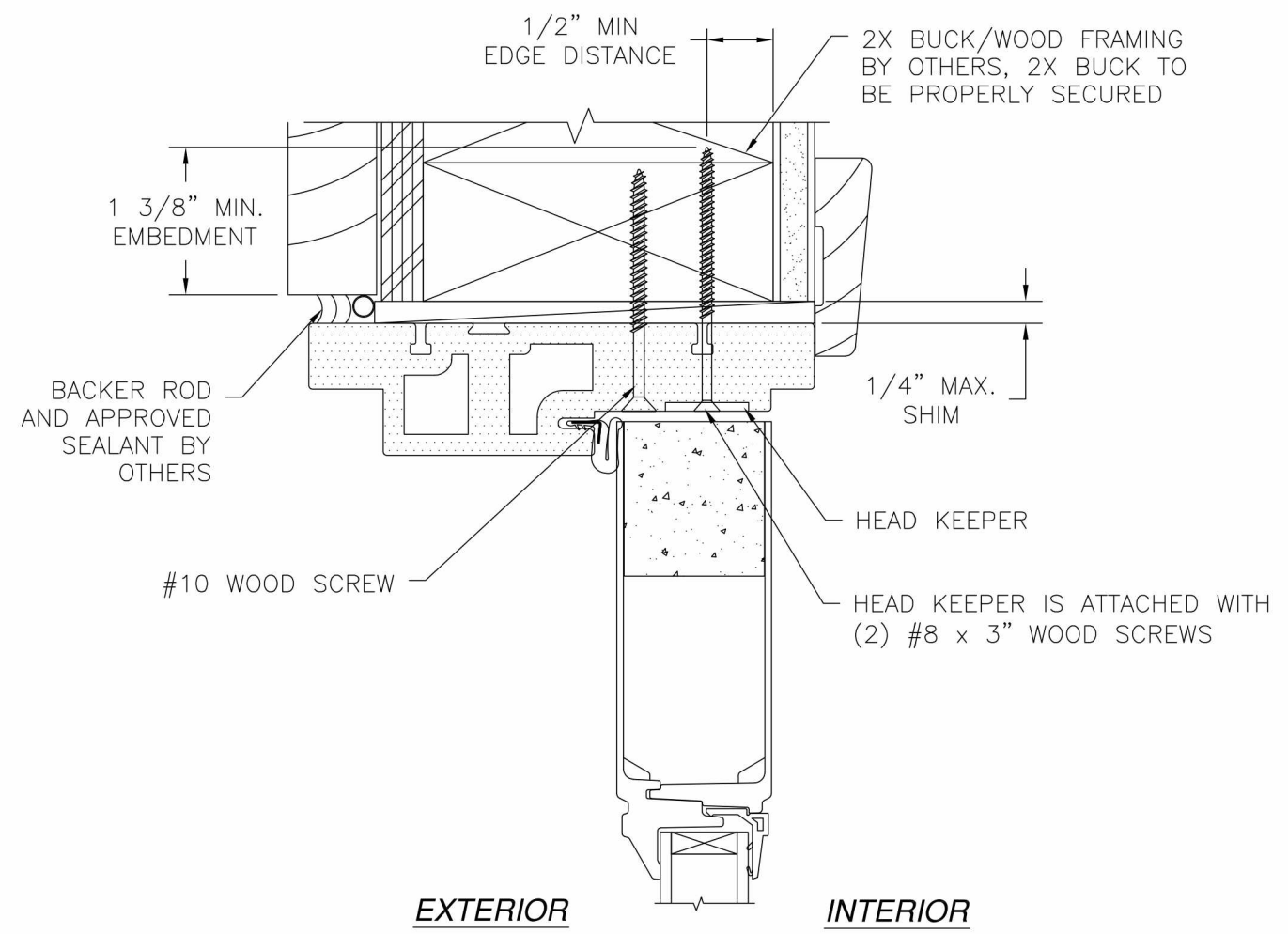
IN-SWING ENTRANCE DOOR  
W/ & W/O SIDELITES  
INSTALLATION DETAILS

DRAWN: V.L.      DWG NO. 08-01530      REV B

SCALE NTS      DATE 04/02/12      SHEET 5 OF 9



REVISIONS			
REV	DESCRIPTION	DATE	APPROVED
A	ADDED EDGE DISTANCES	11/05/14	R.L
B	REVISED SIDELITE INSTALLATION DETAILS	06/01/15	R.L



NOTES:  
 1. INTERIOR AND EXTERIOR FINISHES, BY OTHERS, NOT SHOWN FOR CLARITY.  
 2. PERIMETER AND JOINT SEALANT BY OTHERS TO BE DESIGNED IN ACCORDANCE WITH ASTM E2112

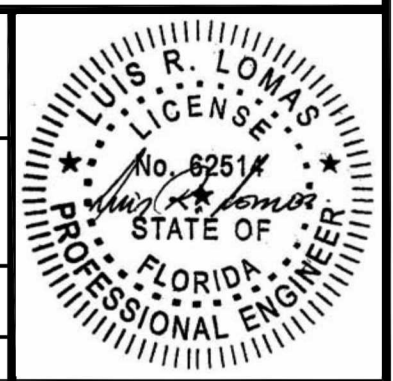
SIGNED: 06/02/2015

NAN YA PLASTICS CORP. USA  
 8989 NORTH LOOP EAST  
 HOUSTON, TX 77029

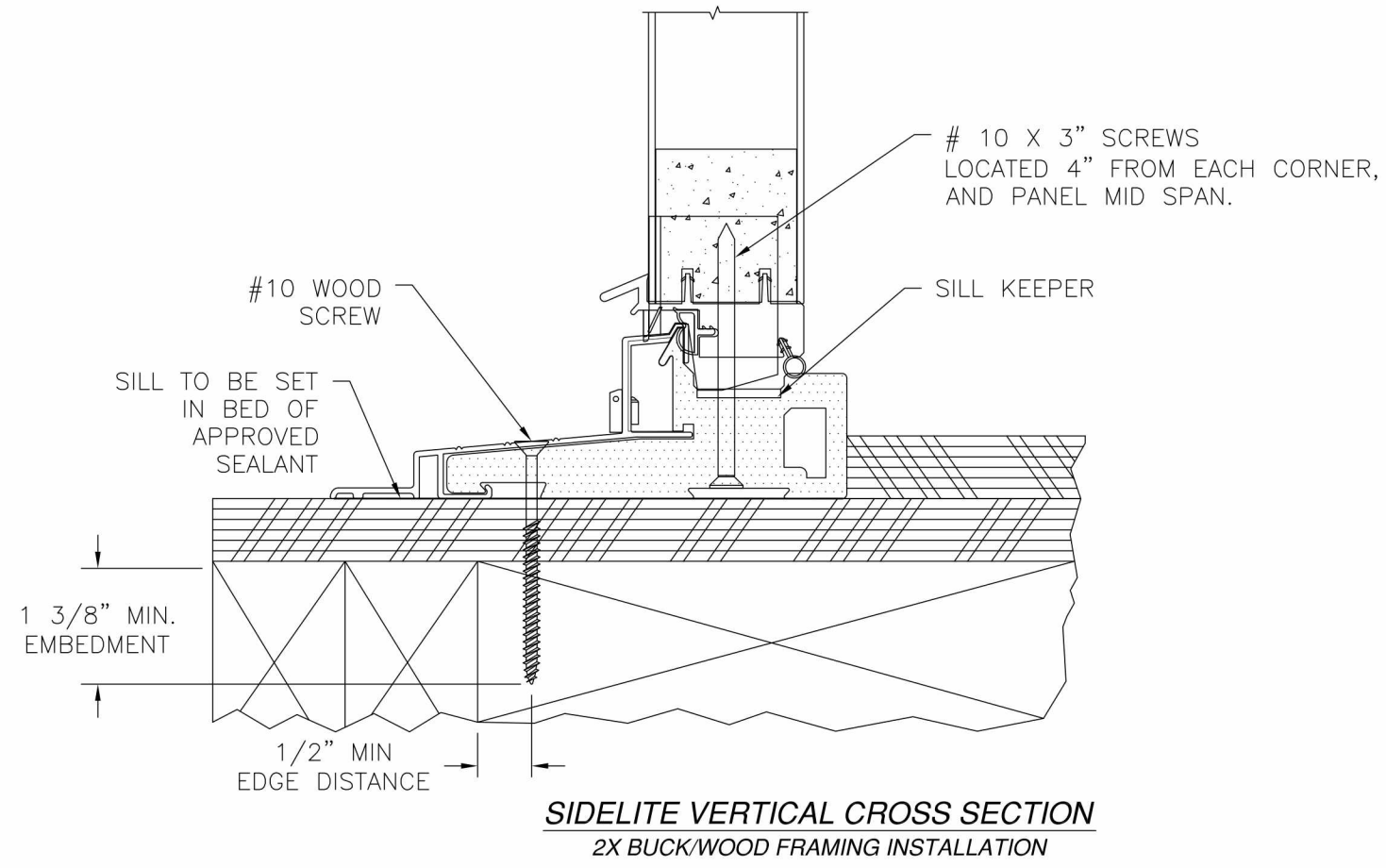
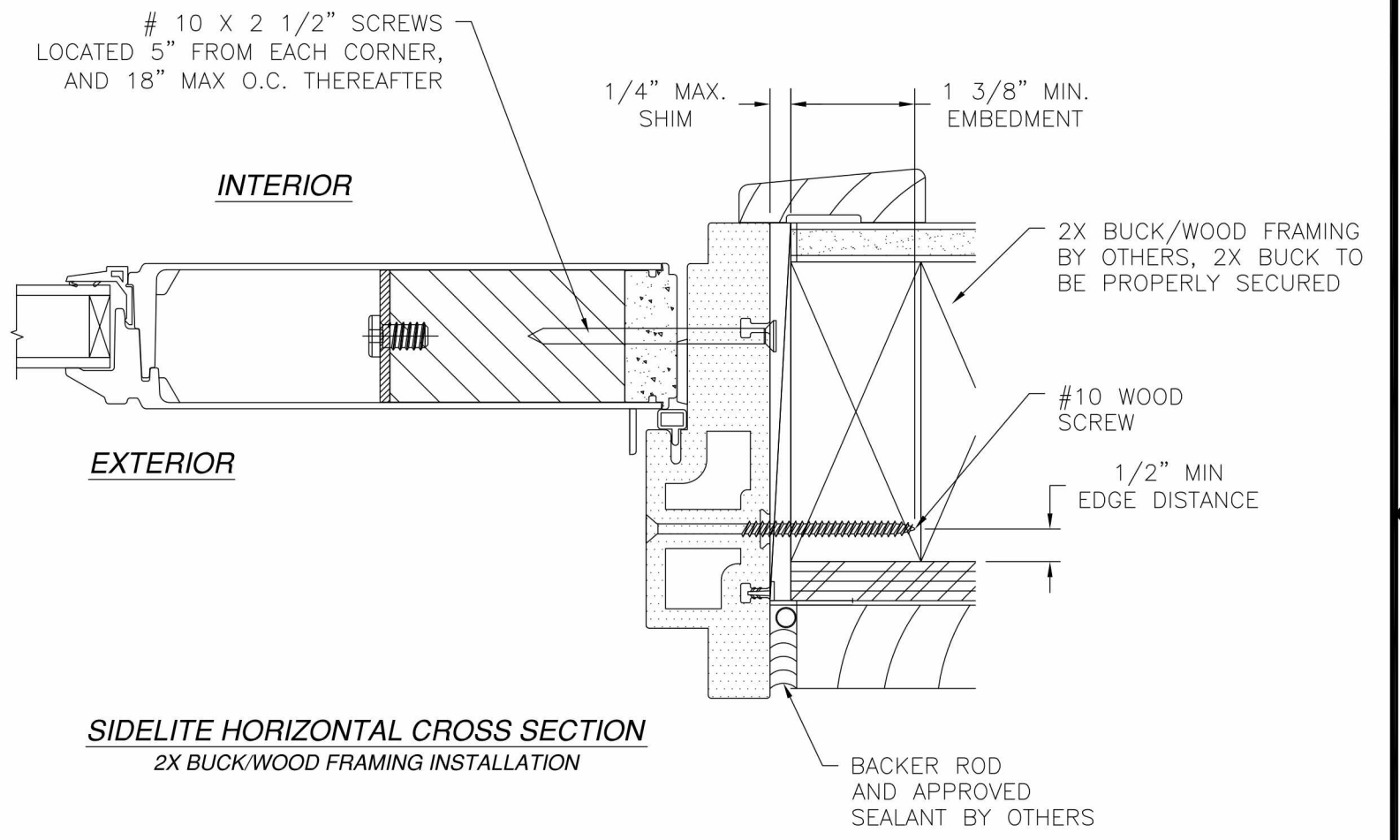
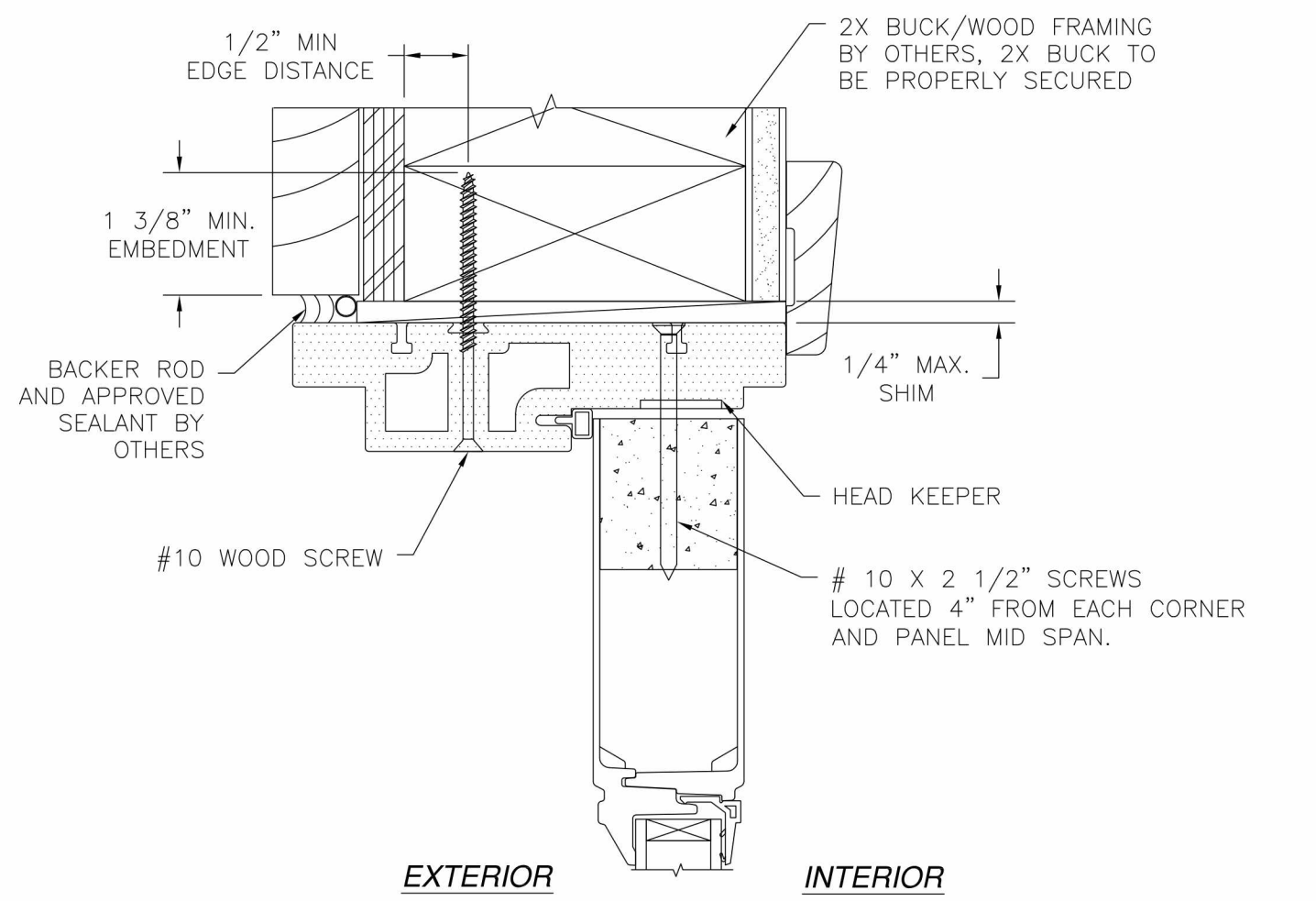
IN-SWING ENTRANCE DOOR  
 W/ & W/O SIDELITES  
 INSTALLATION DETAILS

DRAWN: V.L.      DWG NO. 08-01530      REV B

SCALE NTS      DATE 04/02/12      SHEET 6 OF 9



REVISIONS			
REV	DESCRIPTION	DATE	APPROVED
A	ADDED EDGE DISTANCES	11/05/14	R.L
B	REVISED SIDELITE INSTALLATION DETAILS	06/01/15	R.L



**SIDELITE HORIZONTAL CROSS SECTION**  
2X BUCK/WOOD FRAMING INSTALLATION

**SIDELITE VERTICAL CROSS SECTION**  
2X BUCK/WOOD FRAMING INSTALLATION

**NOTES:**  
 1. INTERIOR AND EXTERIOR FINISHES, BY OTHERS, NOT SHOWN FOR CLARITY.  
 2. PERIMETER AND JOINT SEALANT BY OTHERS TO BE DESIGNED IN ACCORDANCE WITH ASTM E2112

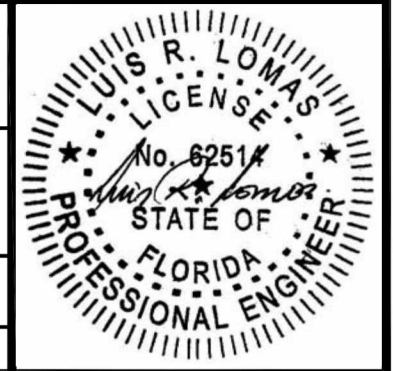
SIGNED: 06/02/2015

NAN YA PLASTICS CORP. USA  
 8989 NORTH LOOP EAST  
 HOUSTON, TX 77029

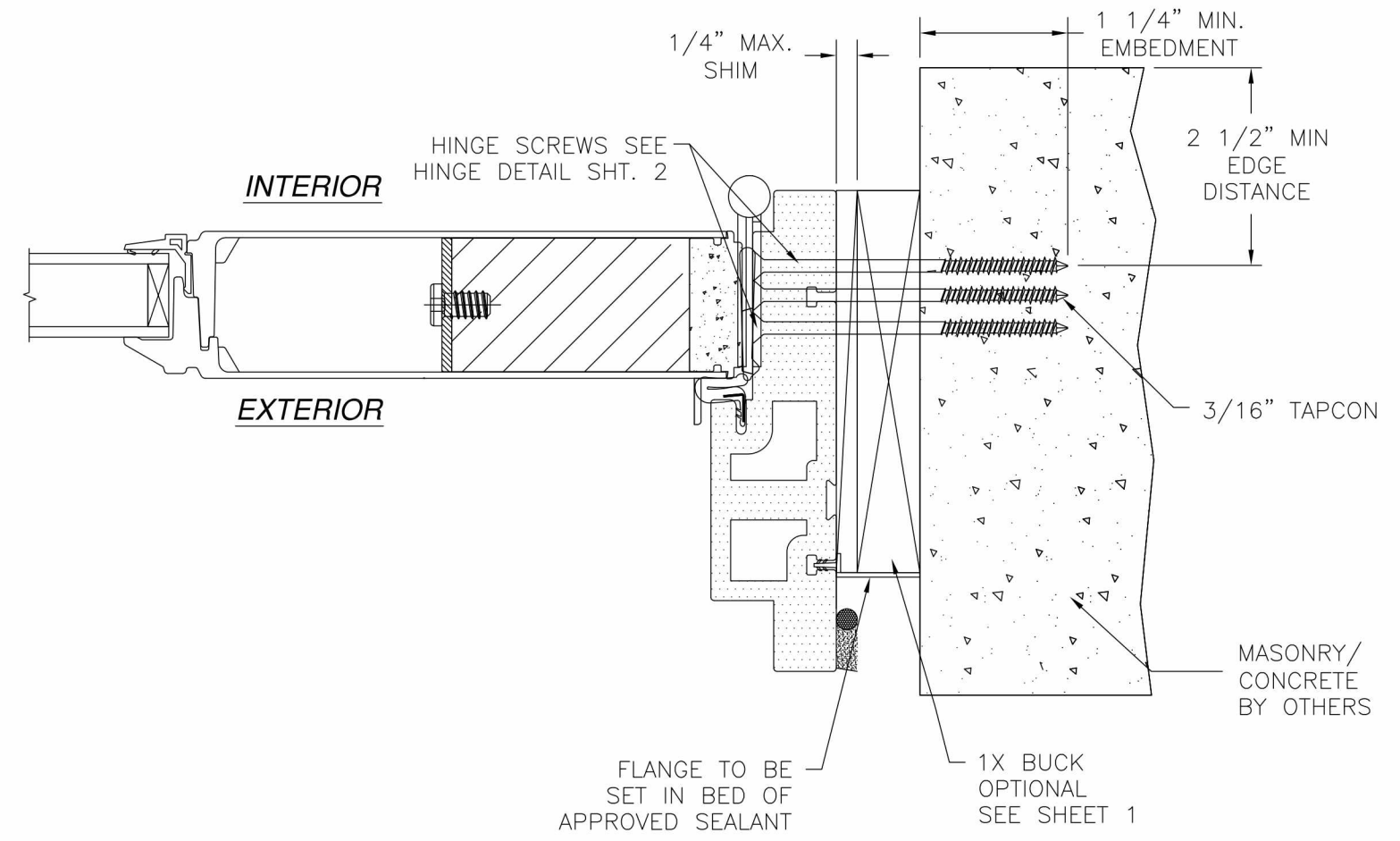
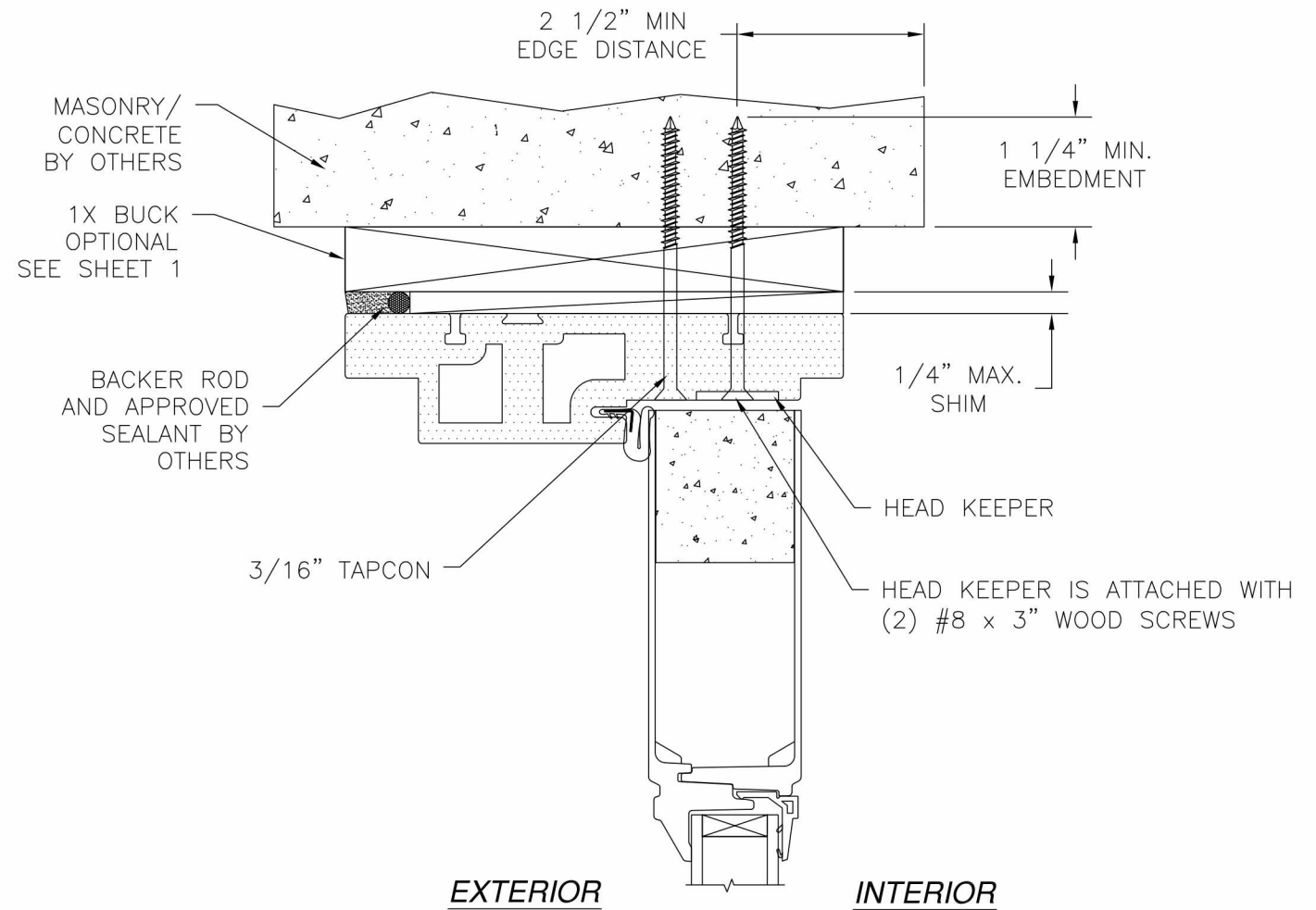
IN-SWING ENTRANCE DOOR  
 W/ & W/O SIDELITES  
 INSTALLATION DETAILS

DRAWN: V.L.      DWG NO. 08-01530      REV B

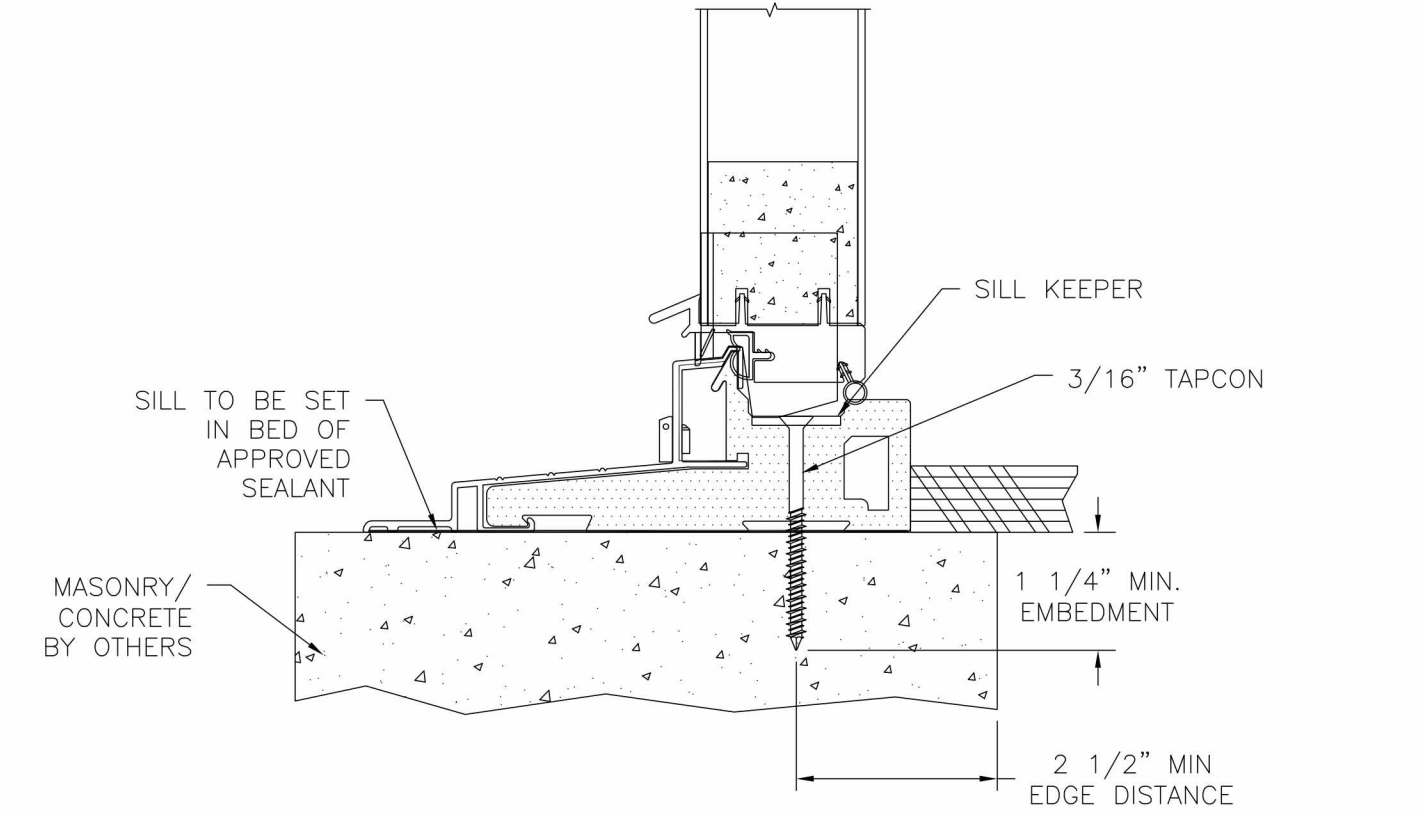
SCALE NTS      DATE 04/02/12      SHEET 7 OF 9



REVISIONS			
REV	DESCRIPTION	DATE	APPROVED
A	ADDED EDGE DISTANCES	11/05/14	R.L
B	REVISED SIDELITE INSTALLATION DETAILS	06/01/15	R.L



**DOOR HORIZONTAL CROSS SECTION**  
MASONRY/CONCRETE INSTALLATION

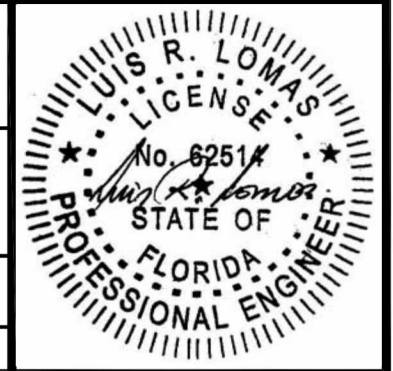


**DOOR VERTICAL CROSS SECTION**  
MASONRY/CONCRETE INSTALLATION

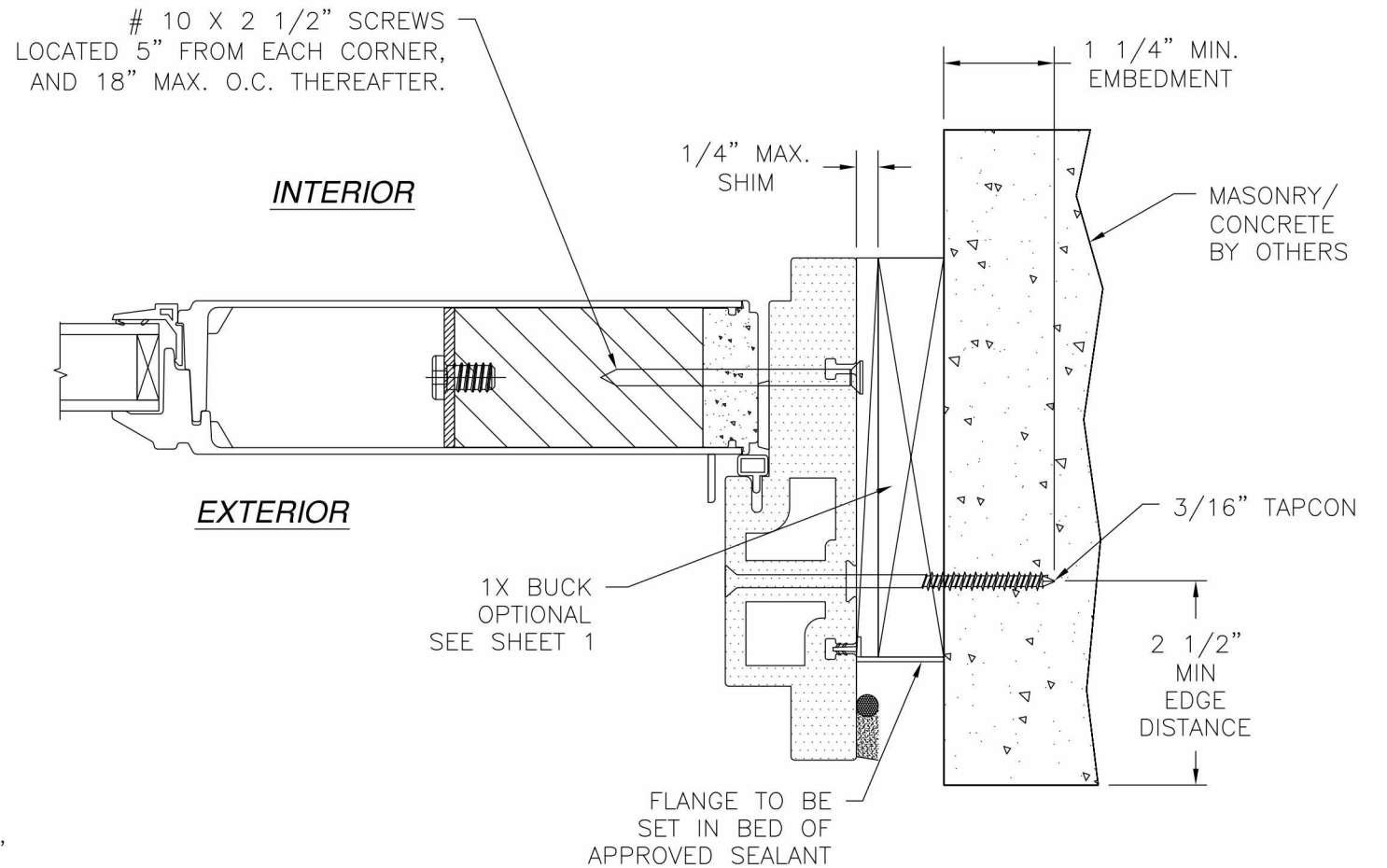
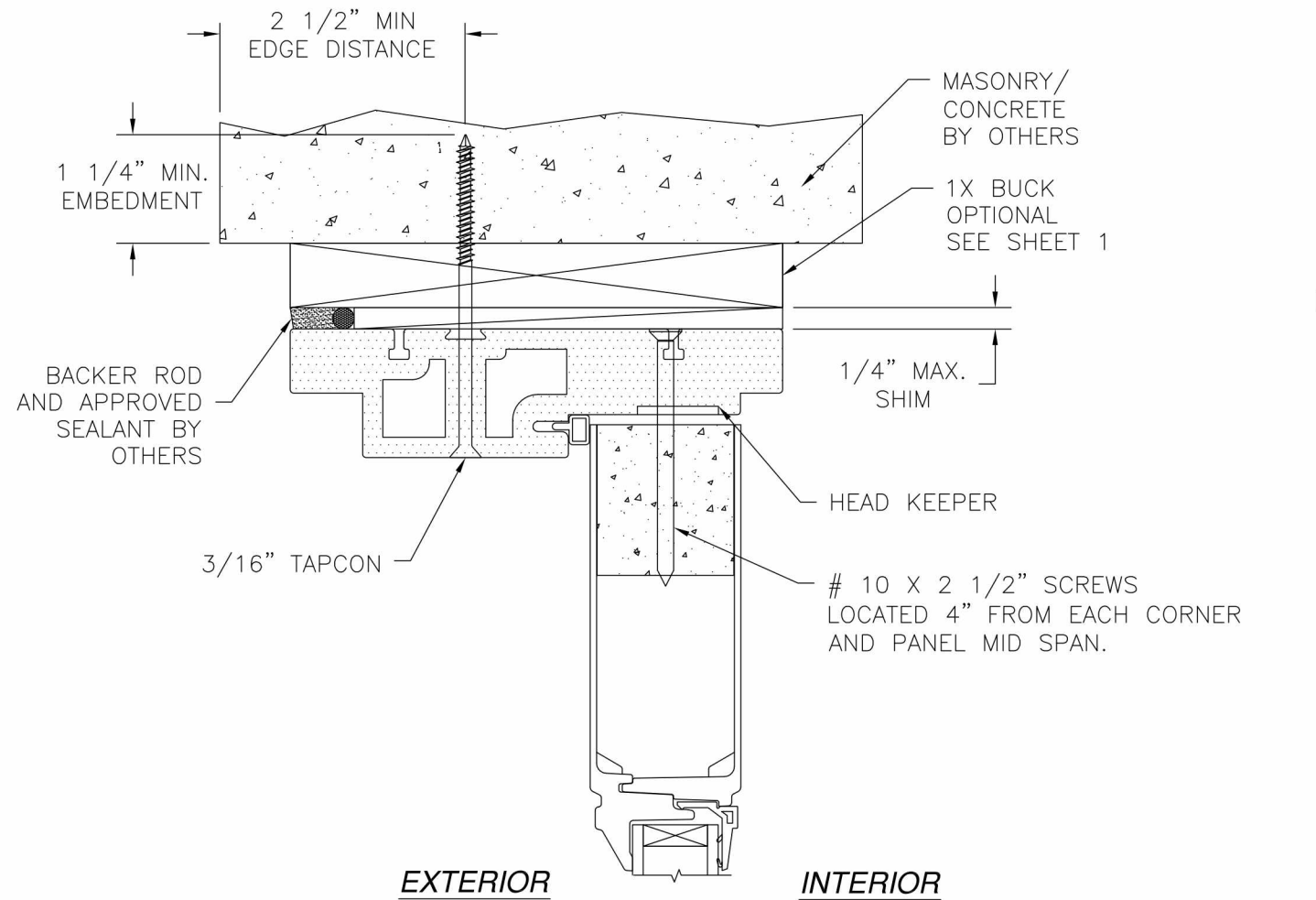
- NOTES:**
1. INTERIOR AND EXTERIOR FINISHES, BY OTHERS, NOT SHOWN FOR CLARITY.
  2. PERIMETER AND JOINT SEALANT BY OTHERS TO BE DESIGNED IN ACCORDANCE WITH ASTM E2112

SIGNED: 06/02/2015

<p><b>NAN YA PLASTICS CORP. USA</b> 8989 NORTH LOOP EAST HOUSTON, TX 77029</p>		
<p>IN-SWING ENTRANCE DOOR W/ &amp; W/O SIDELITES INSTALLATION DETAILS</p>		
<p>DRAWN: V.L.</p>	<p>DWG NO. 08-01530</p>	<p>REV B</p>
<p>SCALE NTS</p>	<p>DATE 04/02/12</p>	<p>SHEET 8 OF 9</p>



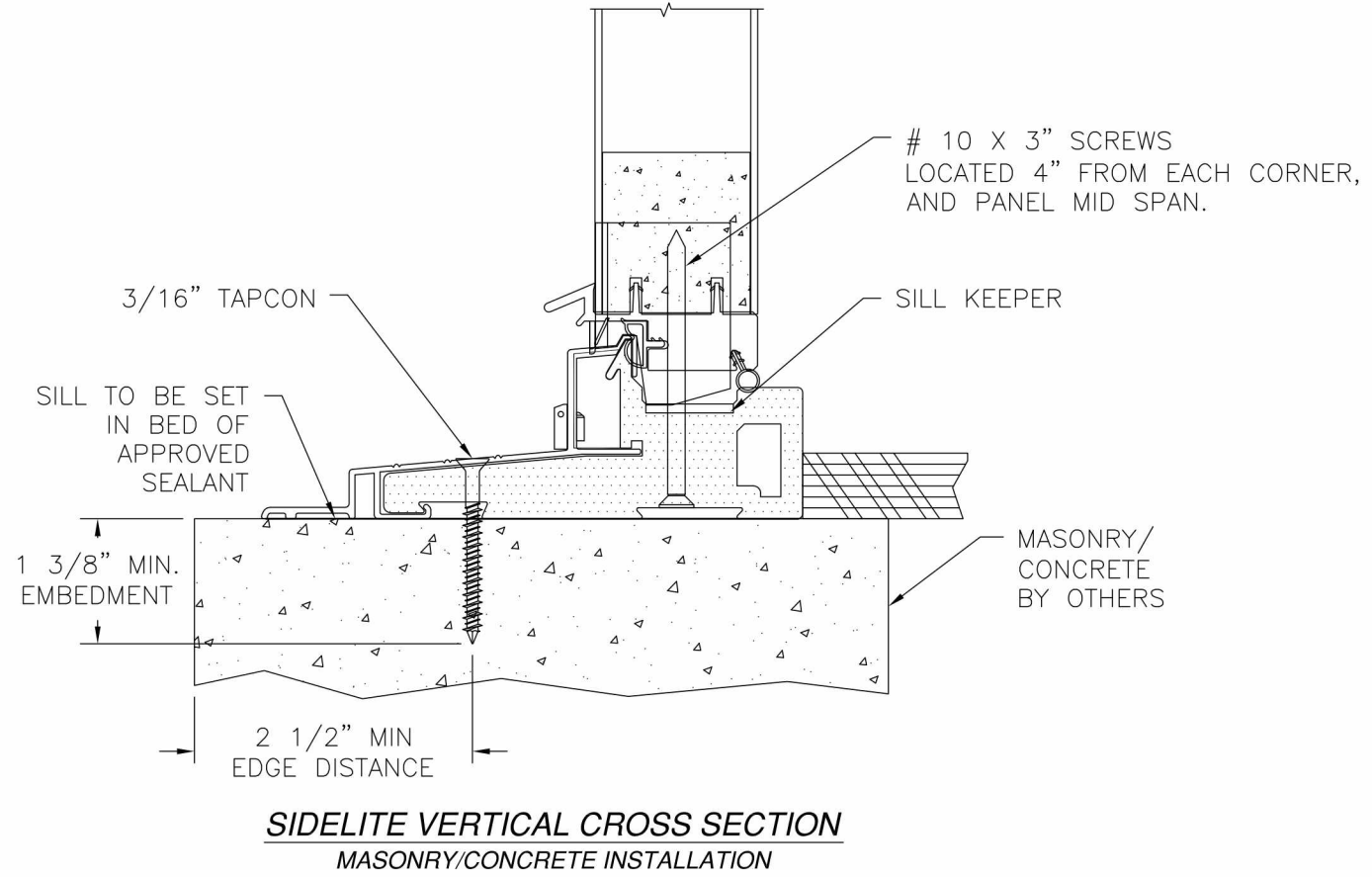
REVISIONS			
REV	DESCRIPTION	DATE	APPROVED
A	ADDED EDGE DISTANCES	11/05/14	R.L
B	REVISED SIDELITE INSTALLATION DETAILS	06/01/15	R.L



**SDELITE HORIZONTAL CROSS SECTION**  
MASONRY/CONCRETE INSTALLATION

NOTES:  
 1. INTERIOR AND EXTERIOR FINISHES, BY OTHERS, NOT SHOWN FOR CLARITY.  
 2. PERIMETER AND JOINT SEALANT BY OTHERS TO BE DESIGNED IN ACCORDANCE WITH ASTM E2112

SIGNED: 06/02/2015



**SIDELITE VERTICAL CROSS SECTION**  
MASONRY/CONCRETE INSTALLATION

NAN YA PLASTICS CORP. USA  
 8989 NORTH LOOP EAST  
 HOUSTON, TX 77029

IN-SWING ENTRANCE DOOR  
 W/ & W/O SIDELITES  
 INSTALLATION DETAILS

DRAWN: V.L.	DWG NO. 08-01530	REV B
SCALE NTS	DATE 04/02/12	SHEET 9 OF 9

