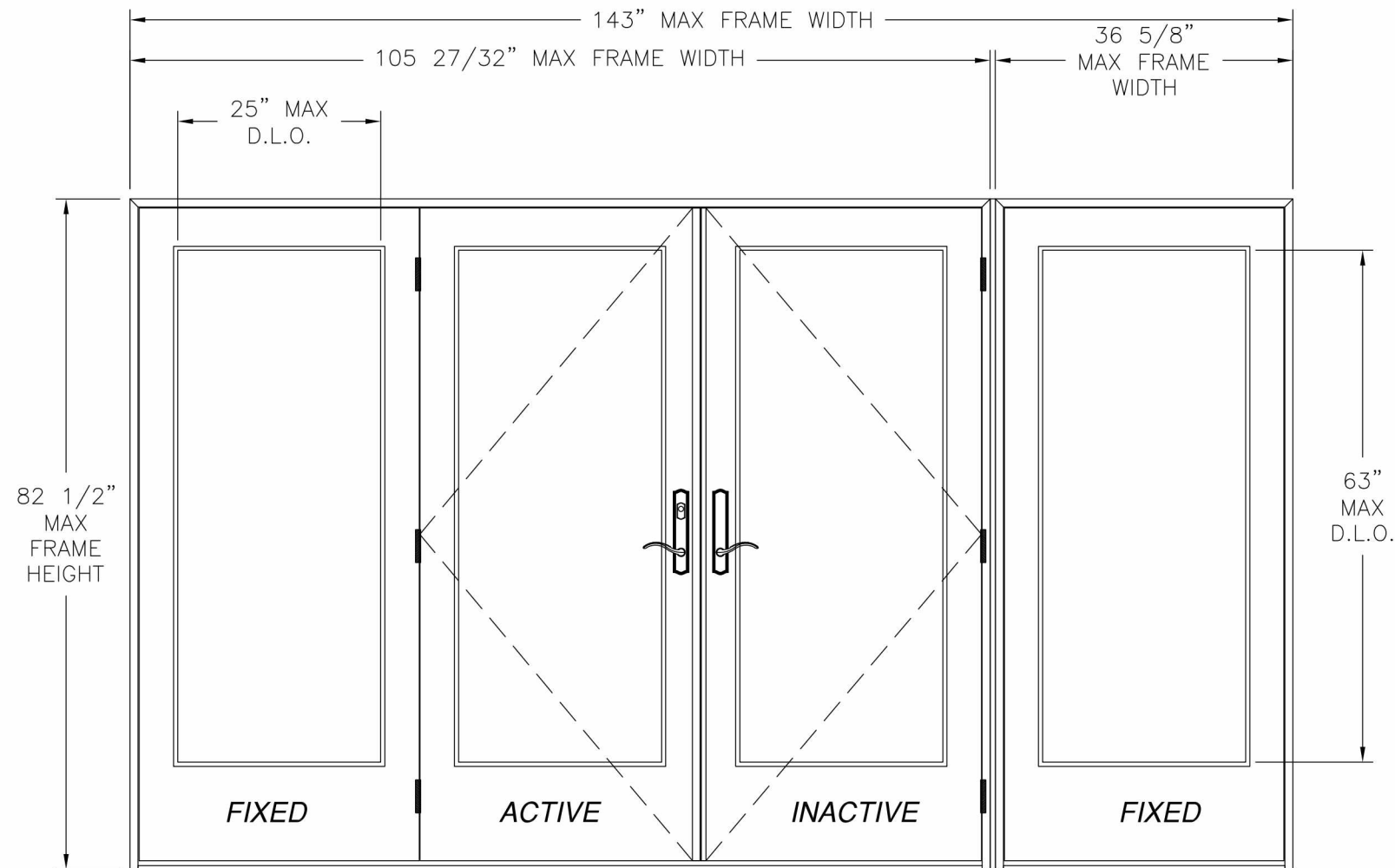


REVISIONS			
REV	DESCRIPTION	DATE	APPROVED
A	REVISED PER NEW TESTING	11/21/12	R.L.
B	ADDED EDGE DISTANCES	11/05/14	R.L.
C	REVISED SIDELITE INSTALLATION DETAILS	05/14/15	R.L.



OUT-SWING ENTRANCE DOUBLE DOOR W/ SIDELITES
FIBERGLASS CLAD
 EXTERIOR VIEW

DESIGN PRESSURE RATING	IMPACT RATING
±70.0PSF	NONE

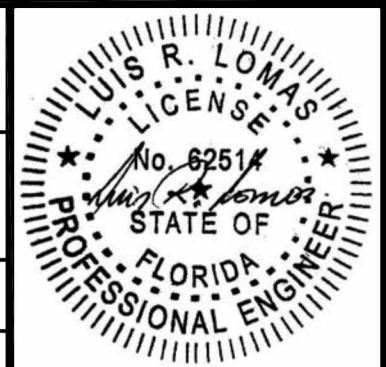
NOTES:

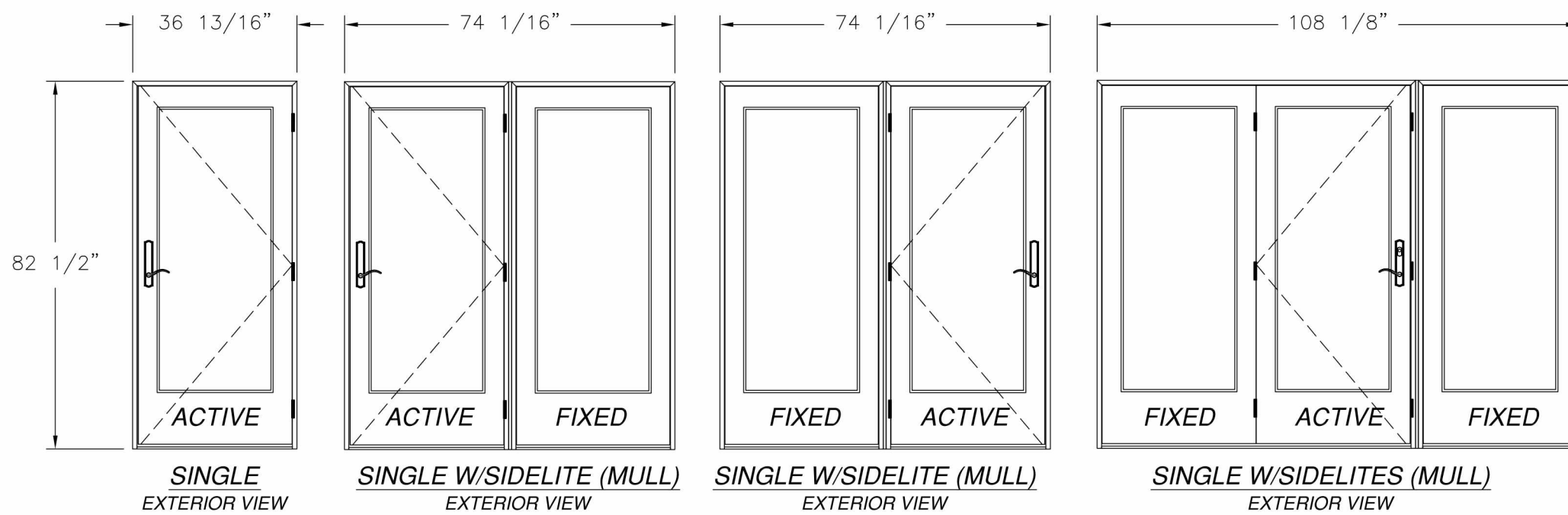
- 1) THE PRODUCT SHOWN HEREIN IS DESIGNED AND MANUFACTURED TO COMPLY WITH REQUIREMENTS OF FLORIDA BUILDING CODE.
- 2) WOOD FRAMING AND MASONRY OPENING TO BE DESIGNED AND ANCHORED TO PROPERLY TRANSFER ALL LOADS TO STRUCTURE. WOOD FRAMING OPENING IS THE RESPONSIBILITY OF THE ARCHITECT OR ENGINEER OF RECORD.
- 3) 1X BUCK OVER MASONRY/CONCRETE IS OPTIONAL. WHERE 1X BUCK IS NOT USED DISSIMILAR MATERIALS MUST BE SEPARATED WITH APPROVED COATING OR MEMBRANE. SELECTION OF COATING OR MEMBRANE IS THE RESPONSIBILITY OF THE ARCHITECT OR ENGINEER OF RECORD.
- 4) APPROVED IMPACT PROTECTIVE SYSTEM IS REQUIRED FOR THIS PRODUCT IN WIND BORNE DEBRIS REGIONS.
- 5) UNITS MUST BE GLAZED PER ASTM E1300-04. SEE SHEET 5 FOR GLAZING DETAIL.
- 6) ALLOWABLE STRESS INCREASE OF 1/3 WAS NOT USED IN THE DESIGN OF THE PRODUCT SHOWN HEREIN. WIND LOAD DURATION FACTOR Cd=1.6 WAS USED FOR WOOD ANCHOR CALCULATIONS.
- 7) FRAME JAMB AND HEAD MATERIAL: CO-EXTRUDED PVC FOAM.
- 8) FRAME SILL MATERIAL: CO-EXTRUDED PVC FOAM WITH ALUMINUM CLADDING.
- 9) DOOR PANEL SIDELITE MATERIAL: FIBERGLASS SKIN WITH PVC FOAM TOP AND BOTTOM RAILS, AND PVC FOAM VERTICAL STILES WITH PINE REINFORCEMENTS AND POLYURETHANE FOAM CORE.
- 10) HINGE LOCATION: 9", 40 7/8" AND 72 1/2" FROM BOTTOM.
- 11) MAX PANEL SIZE: 35 1/4" X 80 5/16"

SIGNED: 02/02/2016

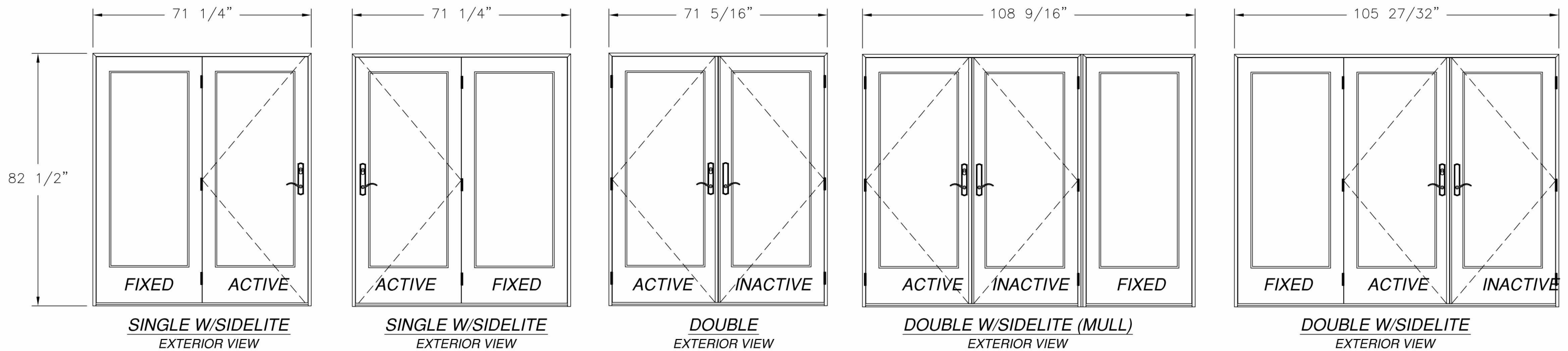
TABLE OF CONTENTS	
SHEET NO.	DESCRIPTION
1, 2	ELEVATION AND NOTES
3, 4	ANCHORING LAYOUTS
5 - 9	INSTALLATION DETAILS

NAN YA PLASTICS CORP. USA 8989 NORTH LOOP EAST HOUSTON, TX 77029		
OUT-SWING ENTRANCE DOOR W/ & W/O SIDELITES FIBERGLASS CLAD ELEVATION AND NOTES		
DRAWN: L. M. P.	DWG NO. 08-01532	REV C
SCALE NTS	DATE 04/09/2012	SHEET 1 OF 9





REVISIONS			
REV	DESCRIPTION	DATE	APPROVED
A	REVISED PER NEW TESTING	11/21/12	R.L.
B	ADDED EDGE DISTANCES	11/05/14	R.L.
C	REVISED SIDELITE INSTALLATION DETAILS	05/14/15	R.L.

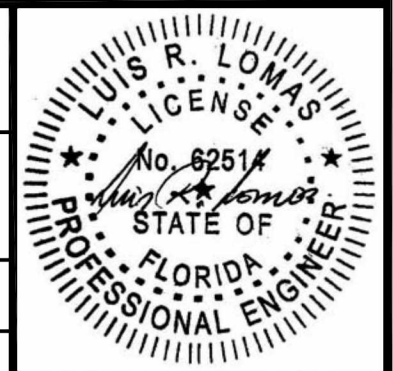


SIGNED: 02/02/2016

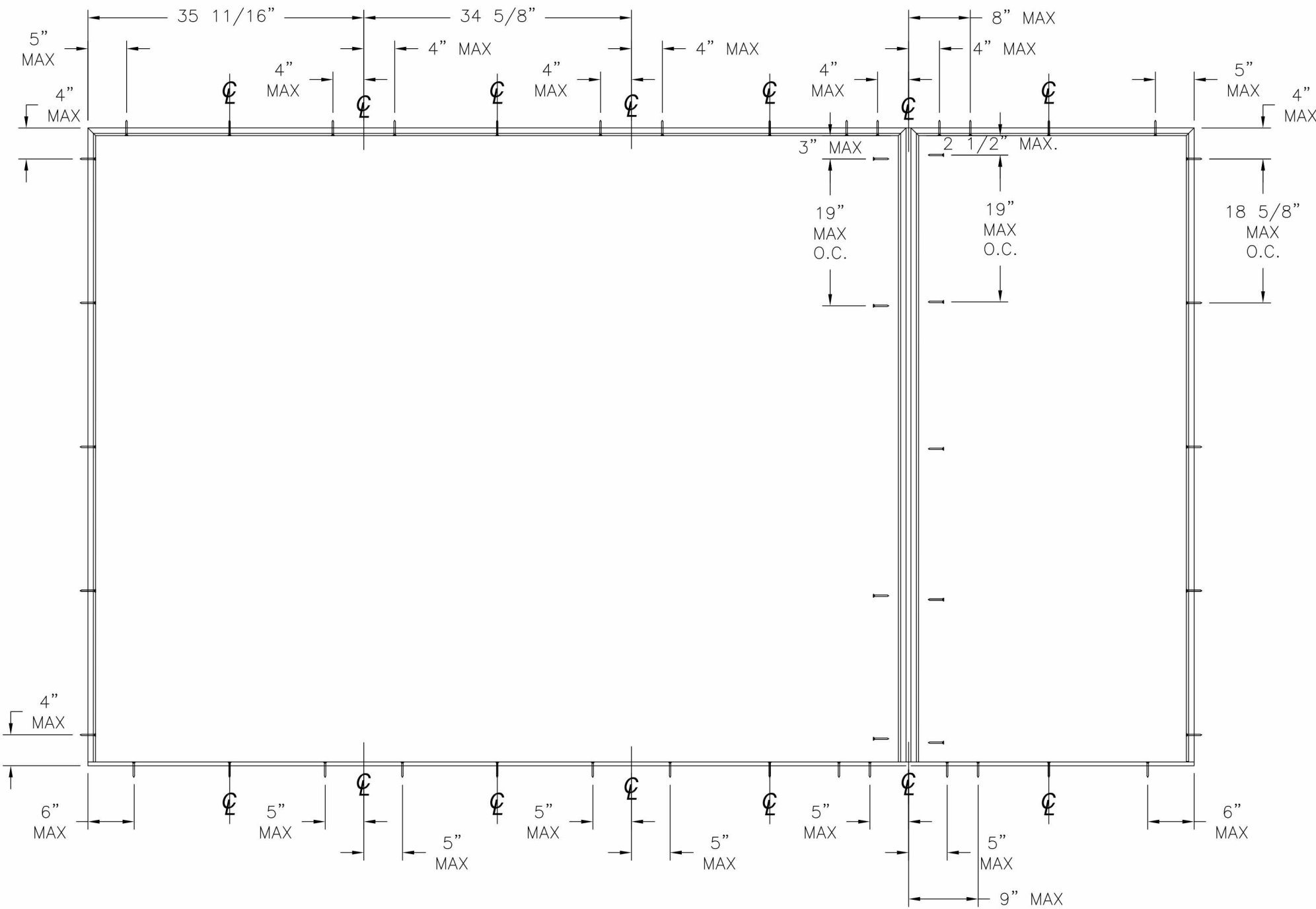
NAN YA PLASTICS CORP. USA
 8989 NORTH LOOP EAST
 HOUSTON, TX 77029

OUT-SWING ENTRANCE DOOR W/ & W/O SIDELITES
 FIBERGLASS CLAD
 APPROVED ELEVATIONS

DRAWN: L. M. P.	DWG NO. 08-01532	REV C
SCALE NTS	DATE 04/09/2012	SHEET 2 OF 9



REVISIONS			
REV	DESCRIPTION	DATE	APPROVED
A	REVISED PER NEW TESTING	11/21/12	R.L.
B	ADDED EDGE DISTANCES	11/05/14	R.L.
C	REVISED SIDELITE INSTALLATION DETAILS	05/14/15	R.L.



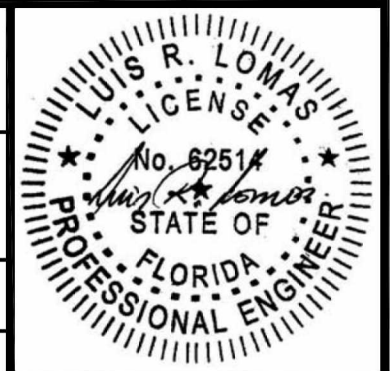
ANCHORING LAYOUT

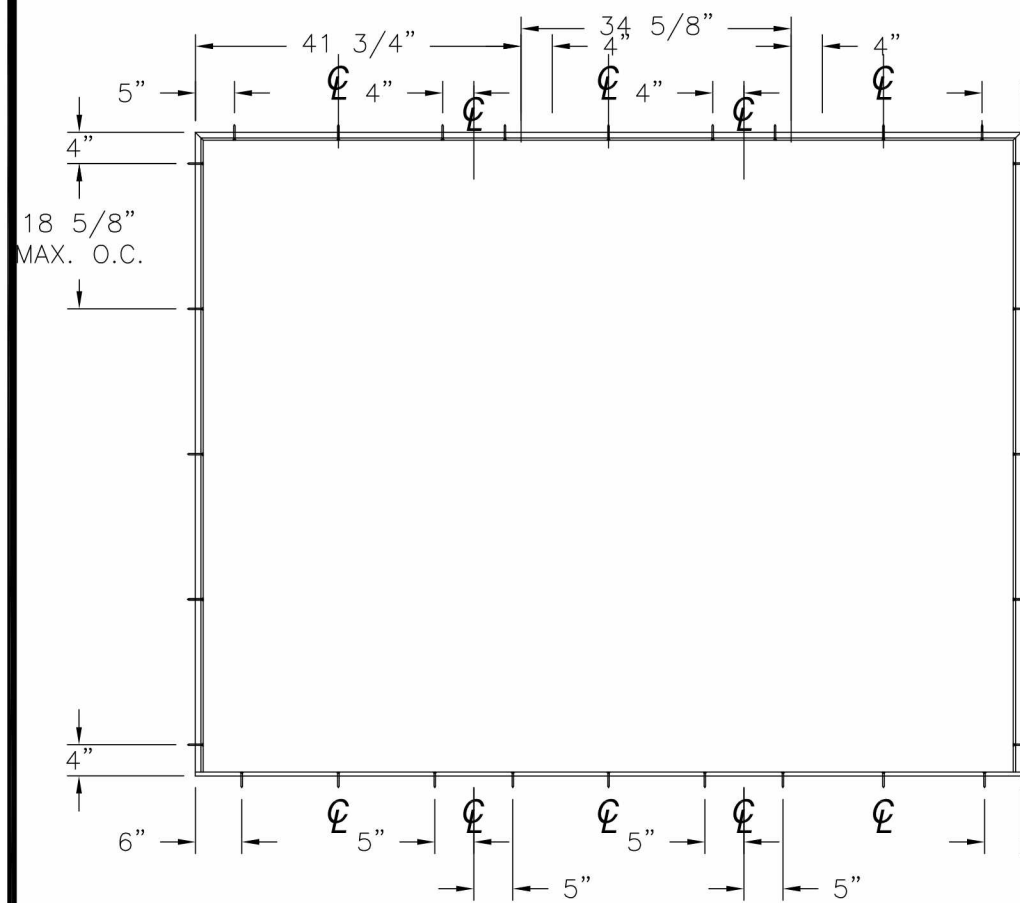
ANCHORING NOTES:

- 1) SHIM AS REQUIRED AT EACH INSTALLATION ANCHOR WITH LOAD BEARING SHIM. SHIM WHERE SPACE OF 1/16" OR GREATER OCCURS. MAXIMUM ALLOWABLE SHIM STACK TO BE 1/4".
- 2) FOR ANCHORING INTO MASONRY/CONCRETE USE 3/16" TAPCON OF SUFFICIENT LENGTH TO ACHIEVE A 1 1/4" MINIMUM EMBEDMENT INTO SUBSTRATE. LOCATE ANCHORS AS SHOWN IN ANCHORING LAYOUT AND INSTALLATION DETAILS.
- 3) FOR ANCHORING INTO 2X BUCK OR WOOD FRAMING USE #10 WOOD SCREW OF SUFFICIENT LENGTH TO ACHIEVE A 1 3/8" MINIMUM EMBEDMENT INTO SUBSTRATE. LOCATE ANCHORS AS SHOWN IN ANCHORING LAYOUT AND INSTALLATION DETAILS.
- 4) ALL FASTENERS TO BE CORROSION RESISTANT.
- 5) INSTALLATION ANCHORS SHALL BE INSTALLED IN ACCORDANCE WITH ANCHOR MANUFACTURER'S INSTALLATION INSTRUCTIONS, AND ANCHORS SHALL NOT BE USED IN SUBSTRATES WITH STRENGTHS LESS THAN THE MINIMUM STRENGTH SPECIFIED BELOW:
 A. WOOD – MINIMUM SPECIFIC GRAVITY OF G=0.42
 B. CONCRETE – MINIMUM COMPRESSIVE STRENGTH OF 3,200 PSI.
 C. MASONRY – STRENGTH CONFORMANCE TO ASTM C-90, GRADE N, TYPE 1 (OR GREATER).

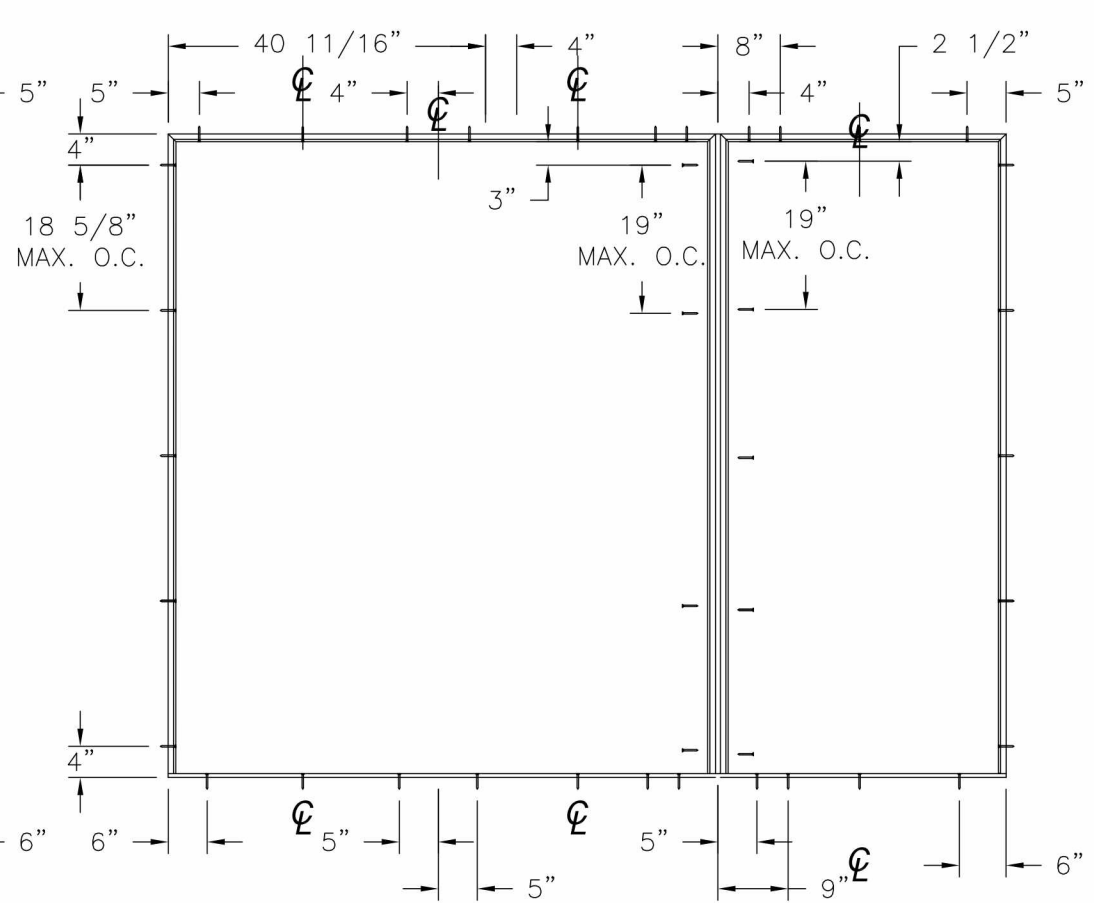
SIGNED: 02/02/2016

NAN YA PLASTICS CORP. USA 8989 NORTH LOOP EAST HOUSTON, TX 77029		
OUT-SWING ENTRANCE DOOR W/ & W/O SIDELITES FIBERGLASS CLAD ANCHORING LAYOUT		
DRAWN: L. M. P.	DWG NO. 08-01532	REV C
SCALE NTS	DATE 04/09/2012	SHEET 3 OF 9



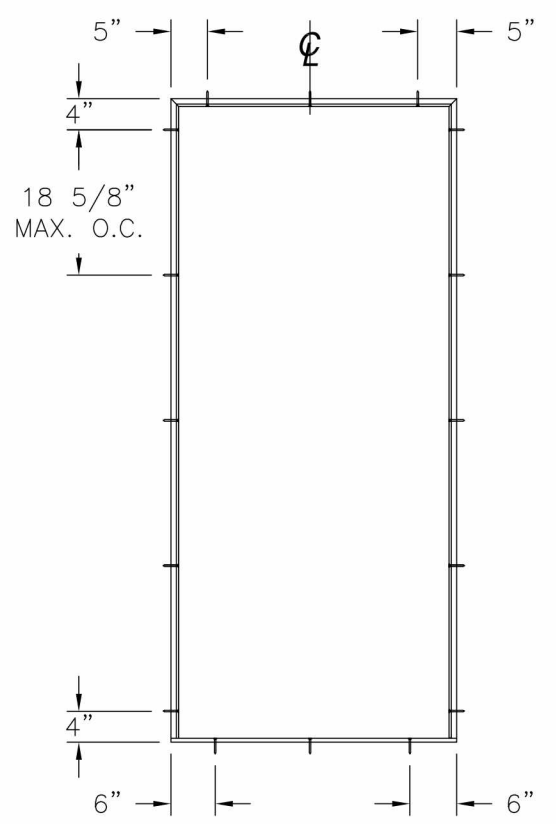


ANCHORING LAYOUT FOR OXO, XXO AND OXX

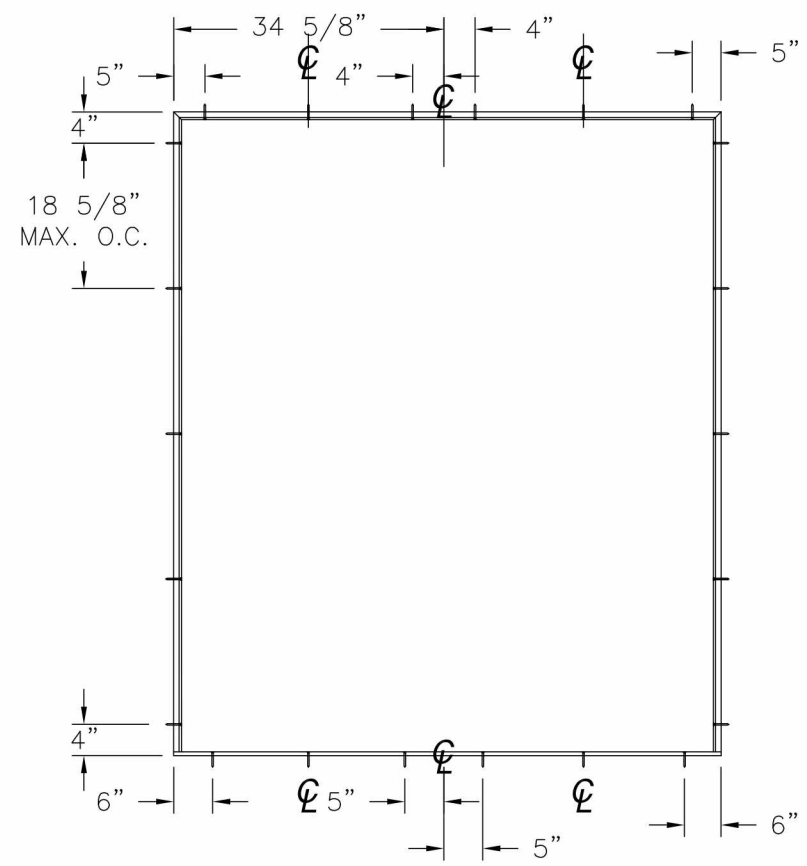


ANCHORING LAYOUT FOR OXO, XXO AND OXX (MULL)

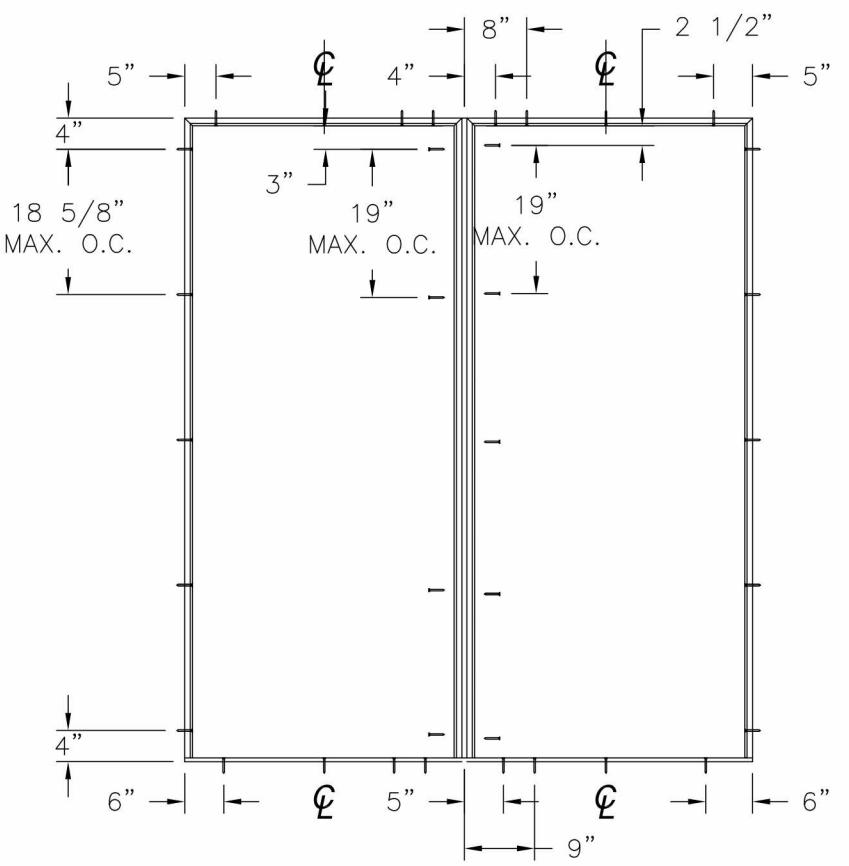
REVISIONS			
REV	DESCRIPTION	DATE	APPROVED
A	REVISED PER NEW TESTING	11/21/12	R.L.
B	ADDED EDGE DISTANCES	11/05/14	R.L.
C	REVISED SIDELITE INSTALLATION DETAILS	05/14/15	R.L.



ANCHORING LAYOUT FOR X



ANCHORING LAYOUT FOR XX, OX AND XO



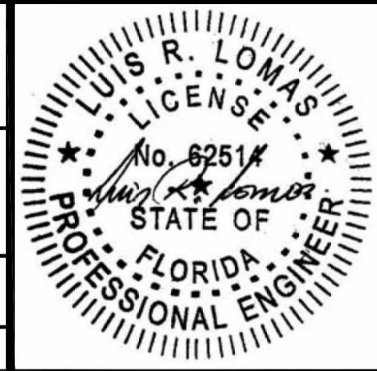
ANCHORING LAYOUT FOR OX AND XO (MULL)

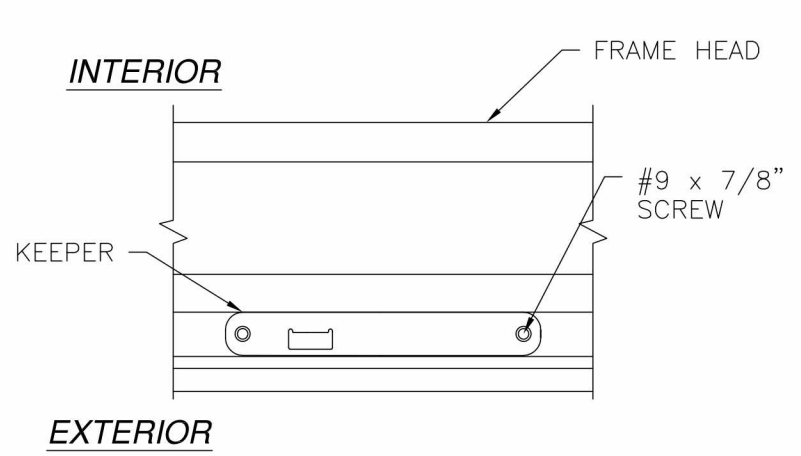
SIGNED: 02/02/2016

NAN YA PLASTICS CORP. USA
 8989 NORTH LOOP EAST
 HOUSTON, TX 77029

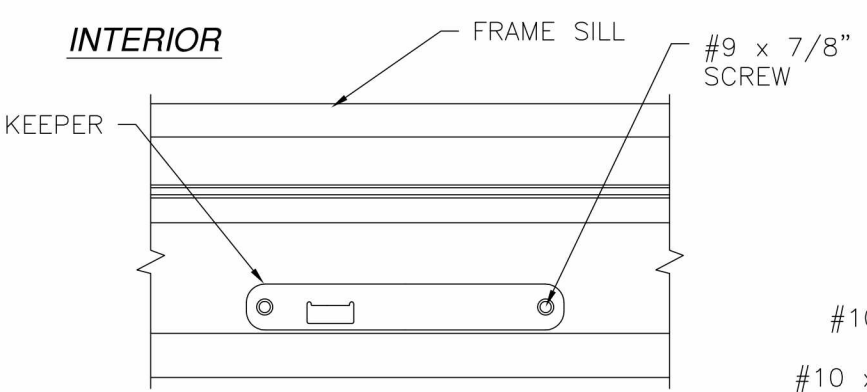
OUT-SWING ENTRANCE DOOR W/ & W/O SIDELITES
 FIBERGLASS CLAD
 ANCHORING LAYOUTS

DRAWN: L. M. P. DWG NO. 08-01532 REV C
 SCALE NTS DATE 04/09/2012 SHEET 4 OF 9

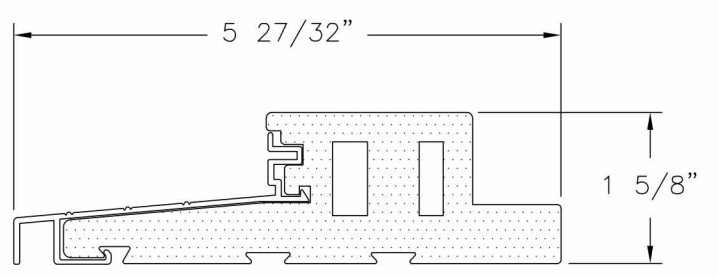




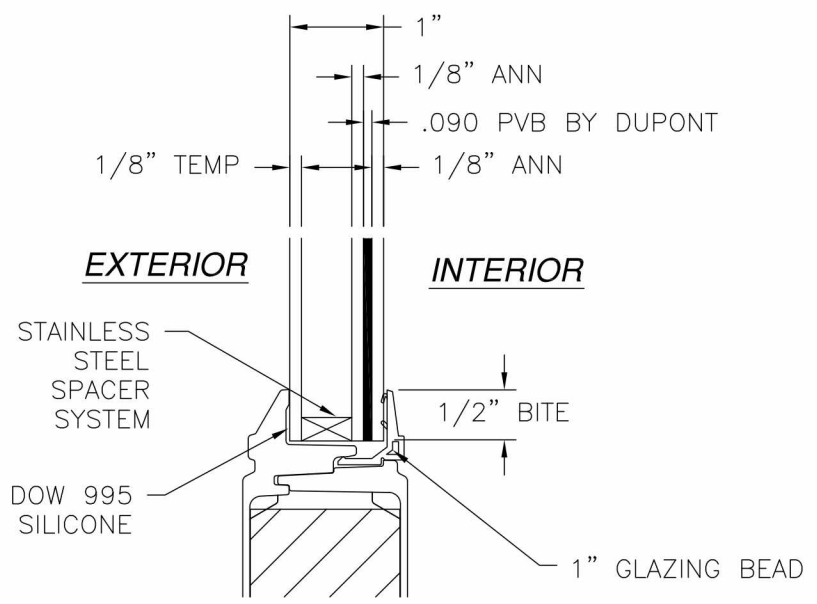
HEAD KEEPER DETAIL



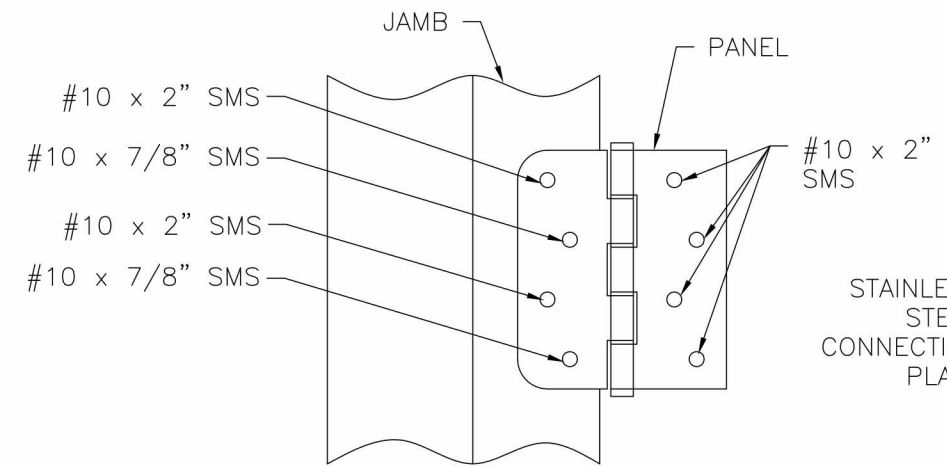
SILL KEEPER DETAIL



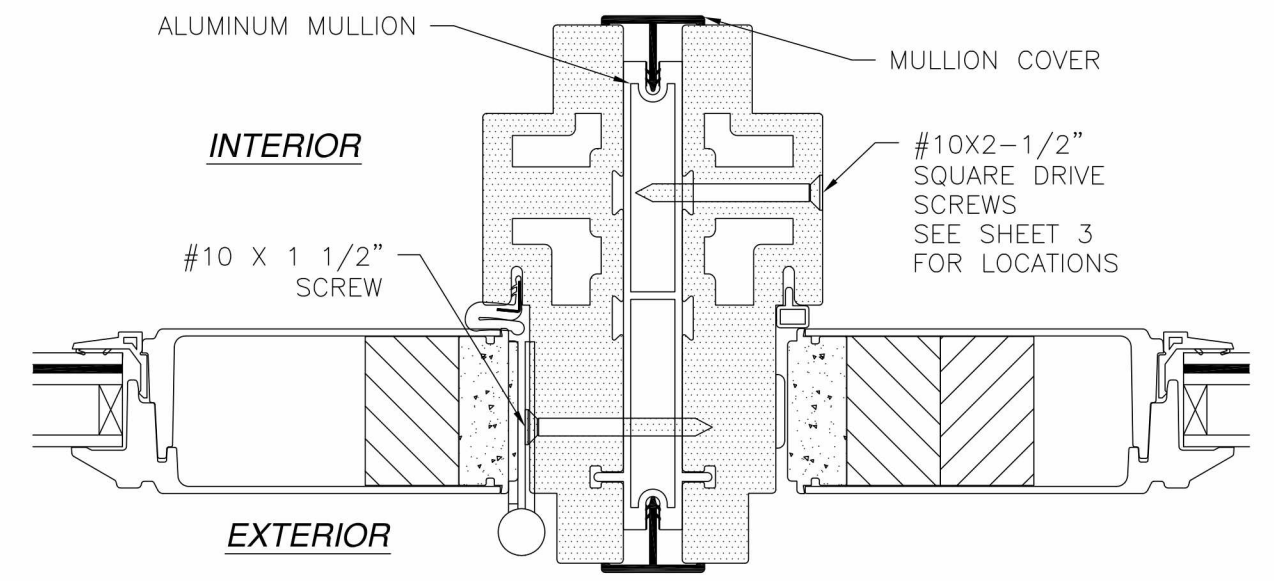
OUTSWING DOOR SILL DETAIL



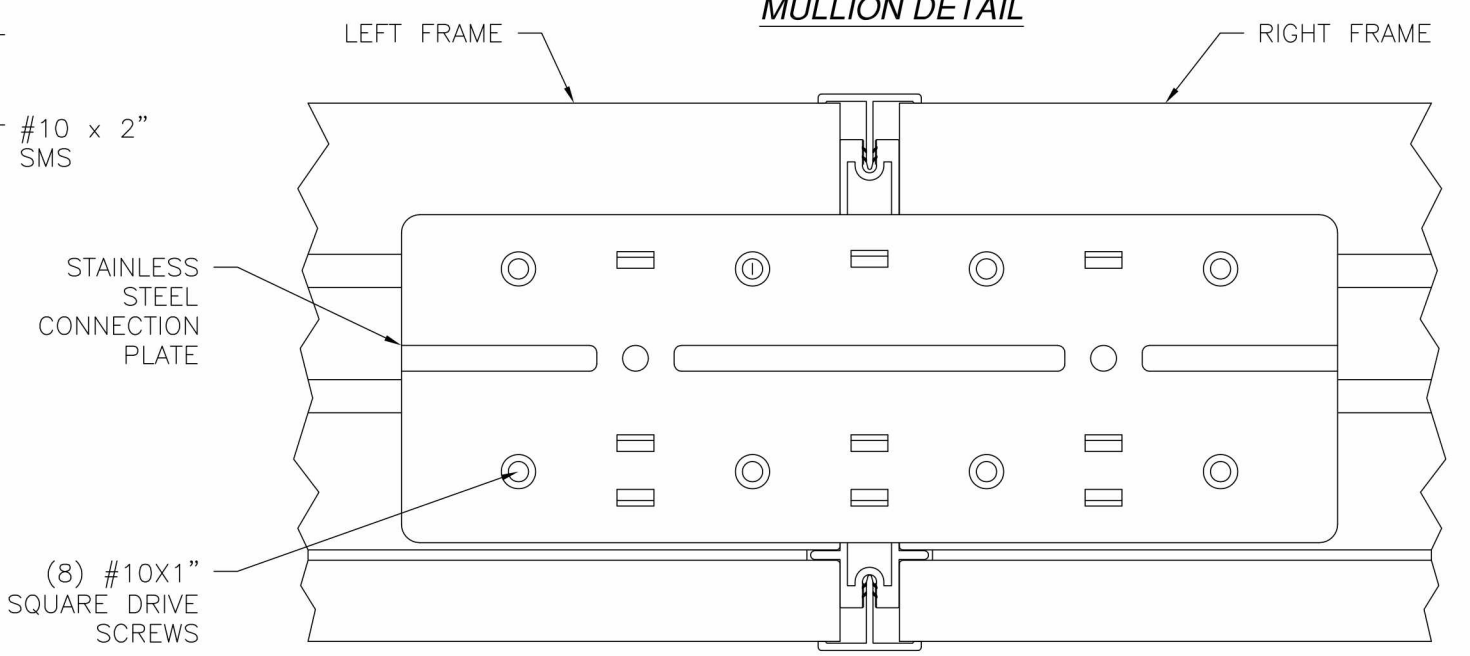
GLAZING DETAIL



HINGE INSTALLATION DETAIL



MULLION DETAIL



FRAME CONNECTION DETAIL

REVISIONS			
REV	DESCRIPTION	DATE	APPROVED
A	REVISED PER NEW TESTING	11/21/12	R.L.
B	ADDED EDGE DISTANCES	11/05/14	R.L.
C	REVISED SIDELITE INSTALLATION DETAILS	05/14/15	R.L.

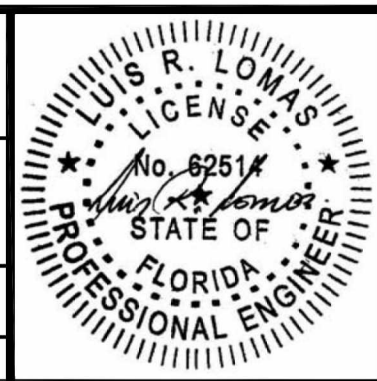
HARDWARE SCHEDULE	
A.	2 POINT LOCK BY NINGBO MICOTA (INACTIVE PANEL)
B.	4 POINT LOCK BY NINGBO MICOTA (ACTIVE PANEL)
C.	(4) 4"x4" BUTT HINGES BY WENZHOU LONGTAI (PER PANEL)
D.	ALUMINUM & PVC FOAM ASTRAGAL BY NAN YA PLASTICS
E.	ALUMINUM & PVC FOAM MULLION BY NAN YA PLASTICS

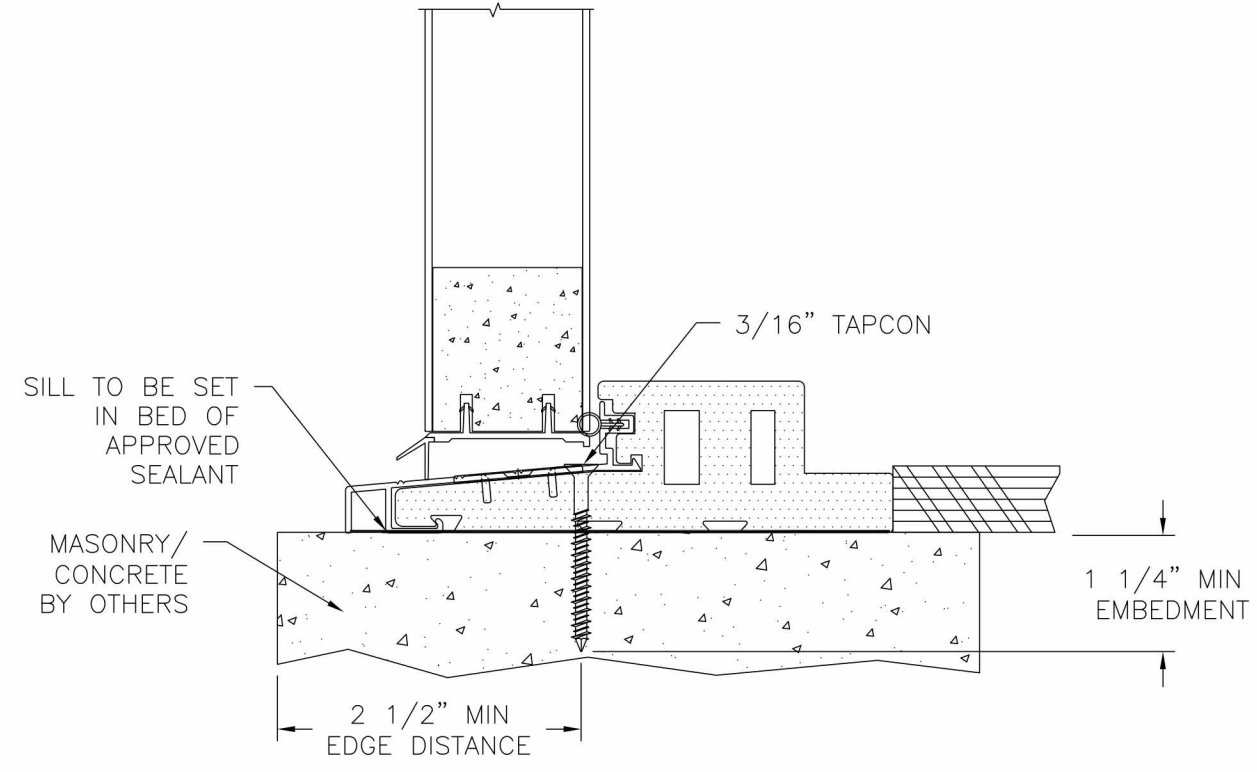
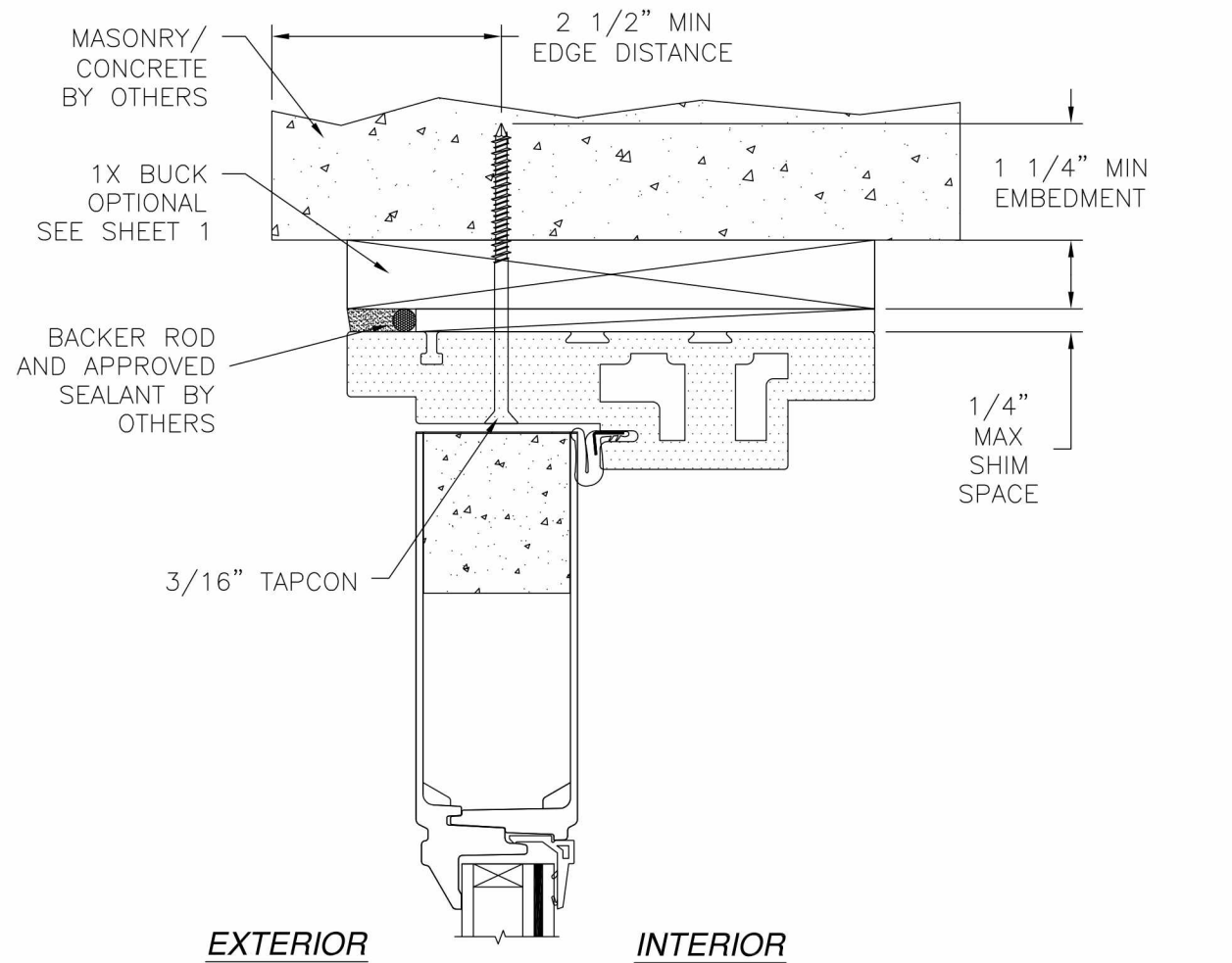
NAN YA PLASTICS CORP. USA
 8989 NORTH LOOP EAST
 HOUSTON, TX 77029

OUT-SWING ENTRANCE DOOR W/ & W/O SIDELITES
 FIBERGLASS CLAD
 INSTALLATION DETAILS

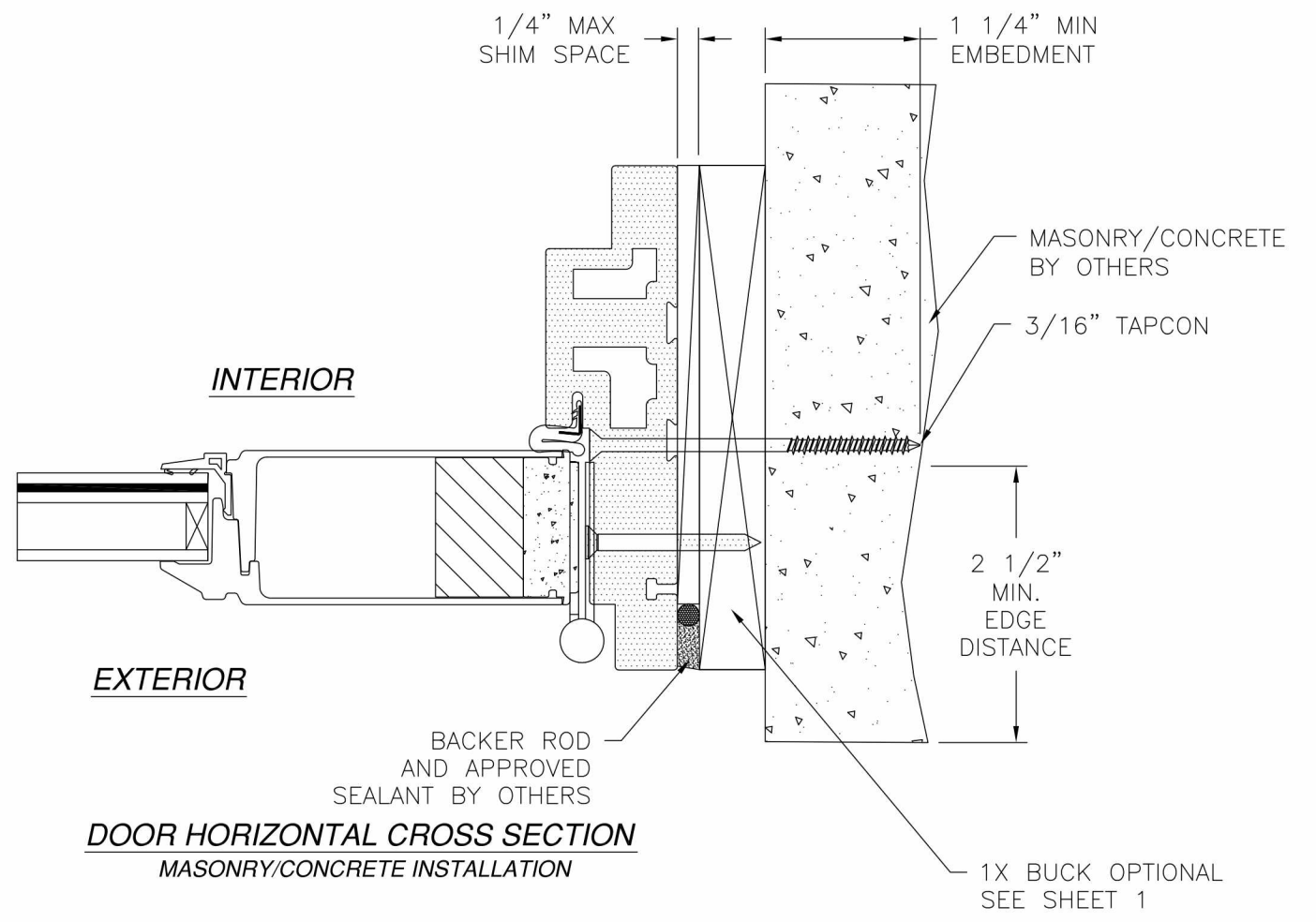
DRAWN: L.M. P.	DWG NO. 08-01532	REV C
SCALE NTS	DATE 04/09/2012	SHEET 5 OF 9

SIGNED: 02/02/2016





DOOR VERTICAL CROSS SECTION
MASONRY/CONCRETE INSTALLATION



DOOR HORIZONTAL CROSS SECTION
MASONRY/CONCRETE INSTALLATION

REVISIONS			
REV	DESCRIPTION	DATE	APPROVED
A	REVISED PER NEW TESTING	11/21/12	R.L.
B	ADDED EDGE DISTANCES	11/05/14	R.L.
C	REVISED SIDELITE INSTALLATION DETAILS	05/14/15	R.L.

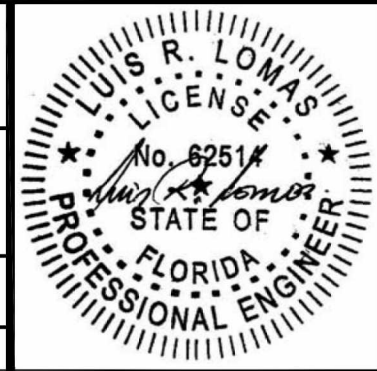
- NOTES:**
1. INTERIOR AND EXTERIOR FINISHES, BY OTHERS, NOT SHOWN FOR CLARITY.
 2. PERIMETER AND JOINT SEALANT BY OTHERS TO BE DESIGNED IN ACCORDANCE WITH ASTM E2112

SIGNED: 02/02/2016

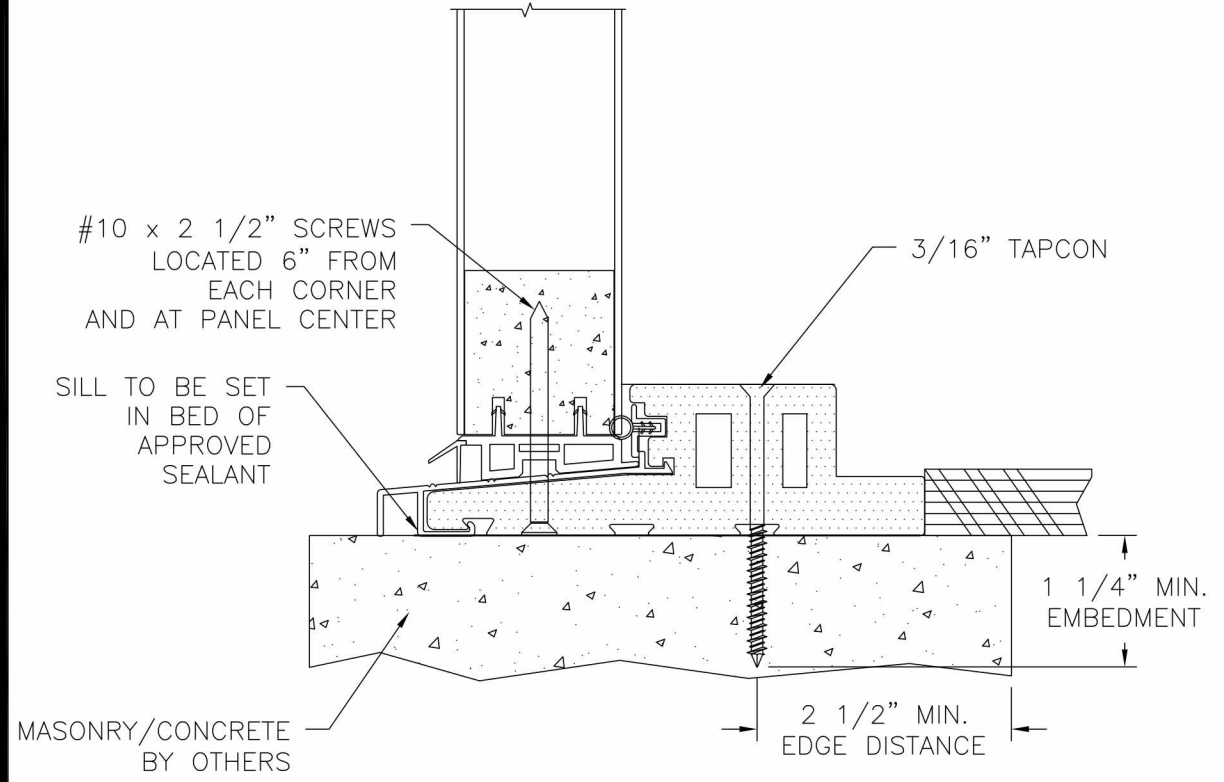
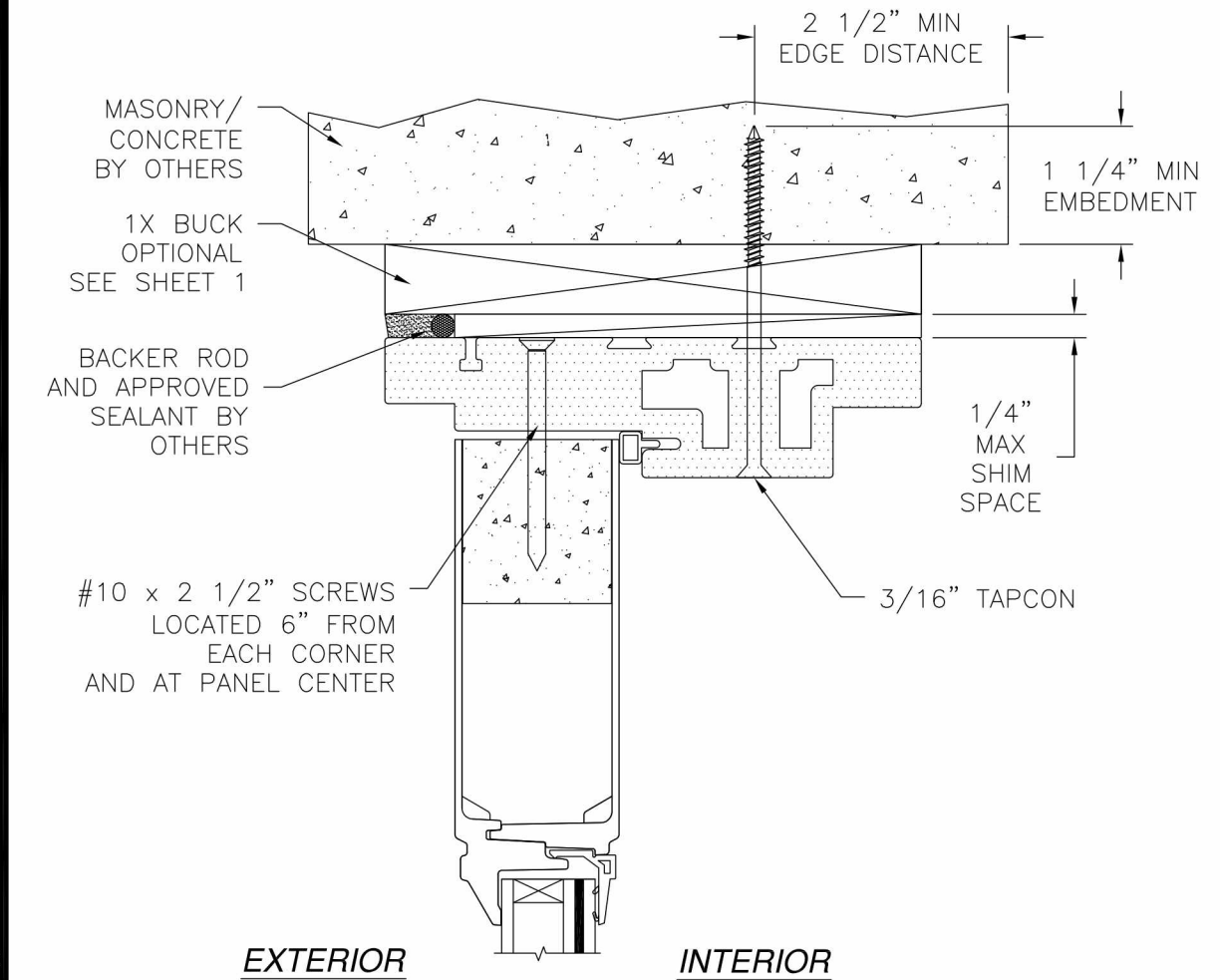
NAN YA PLASTICS CORP. USA
8989 NORTH LOOP EAST
HOUSTON, TX 77029

OUT-SWING ENTRANCE DOOR W/ & W/O SIDELITES
FIBERGLASS CLAD
INSTALLATION DETAILS

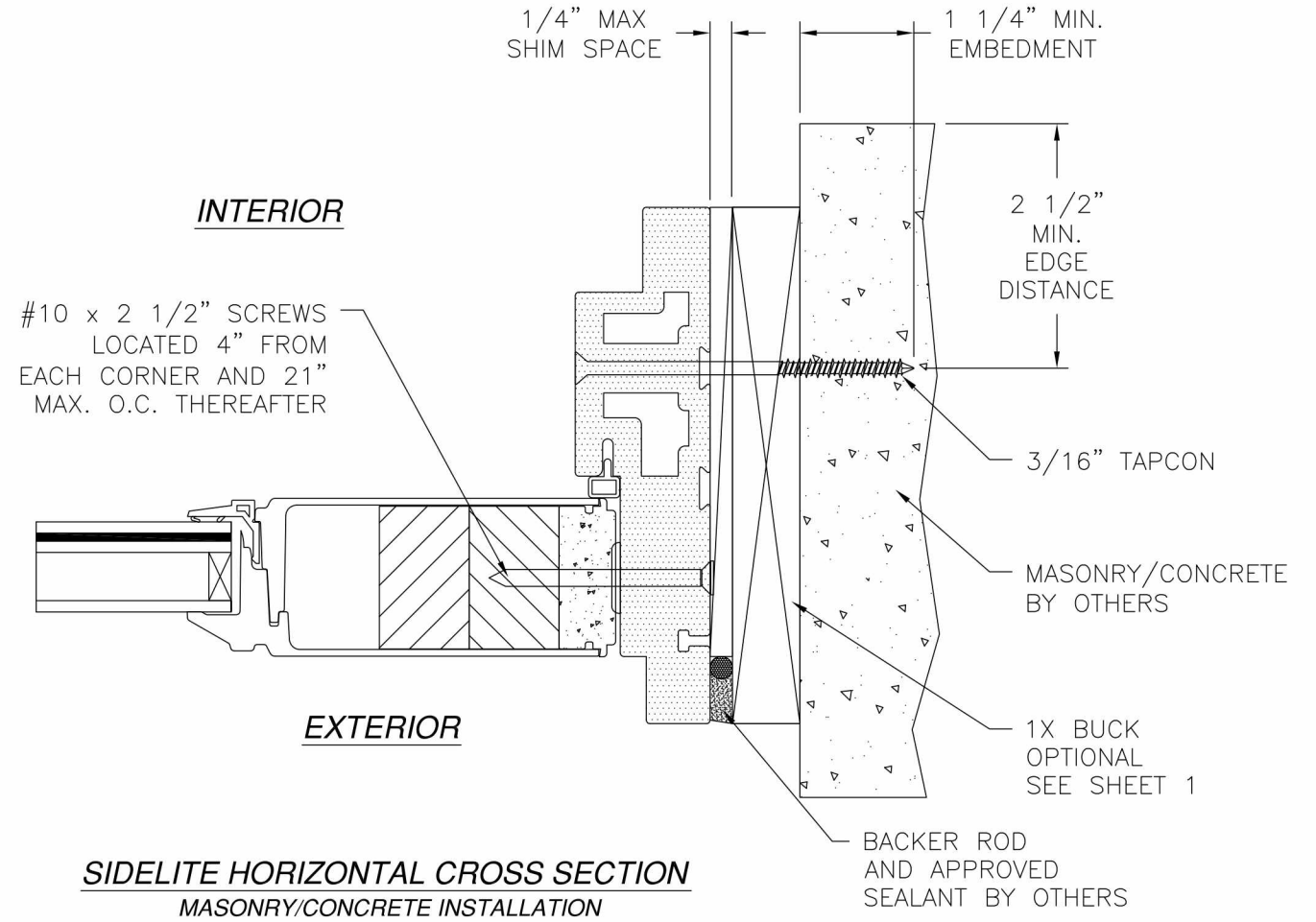
DRAWN: L. M. P.	DWG. NO. 08-01532	REV C
SCALE NTS	DATE 04/09/2012	SHEET 6 OF 9



REVISIONS			
REV	DESCRIPTION	DATE	APPROVED
A	REVISED PER NEW TESTING	11/21/12	R.L.
B	ADDED EDGE DISTANCES	11/05/14	R.L.
C	REVISED SIDELITE INSTALLATION DETAILS	05/14/15	R.L.



SIDELITE VERTICAL CROSS SECTION
MASONRY/CONCRETE INSTALLATION



SIDELITE HORIZONTAL CROSS SECTION
MASONRY/CONCRETE INSTALLATION

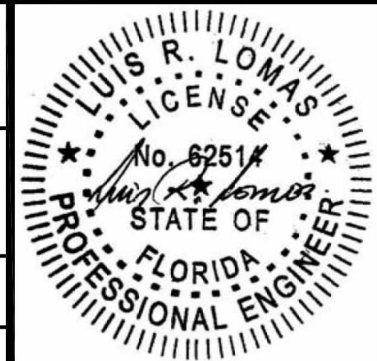
- NOTES:**
1. INTERIOR AND EXTERIOR FINISHES, BY OTHERS, NOT SHOWN FOR CLARITY.
 2. PERIMETER AND JOINT SEALANT BY OTHERS TO BE DESIGNED IN ACCORDANCE WITH ASTM E2112

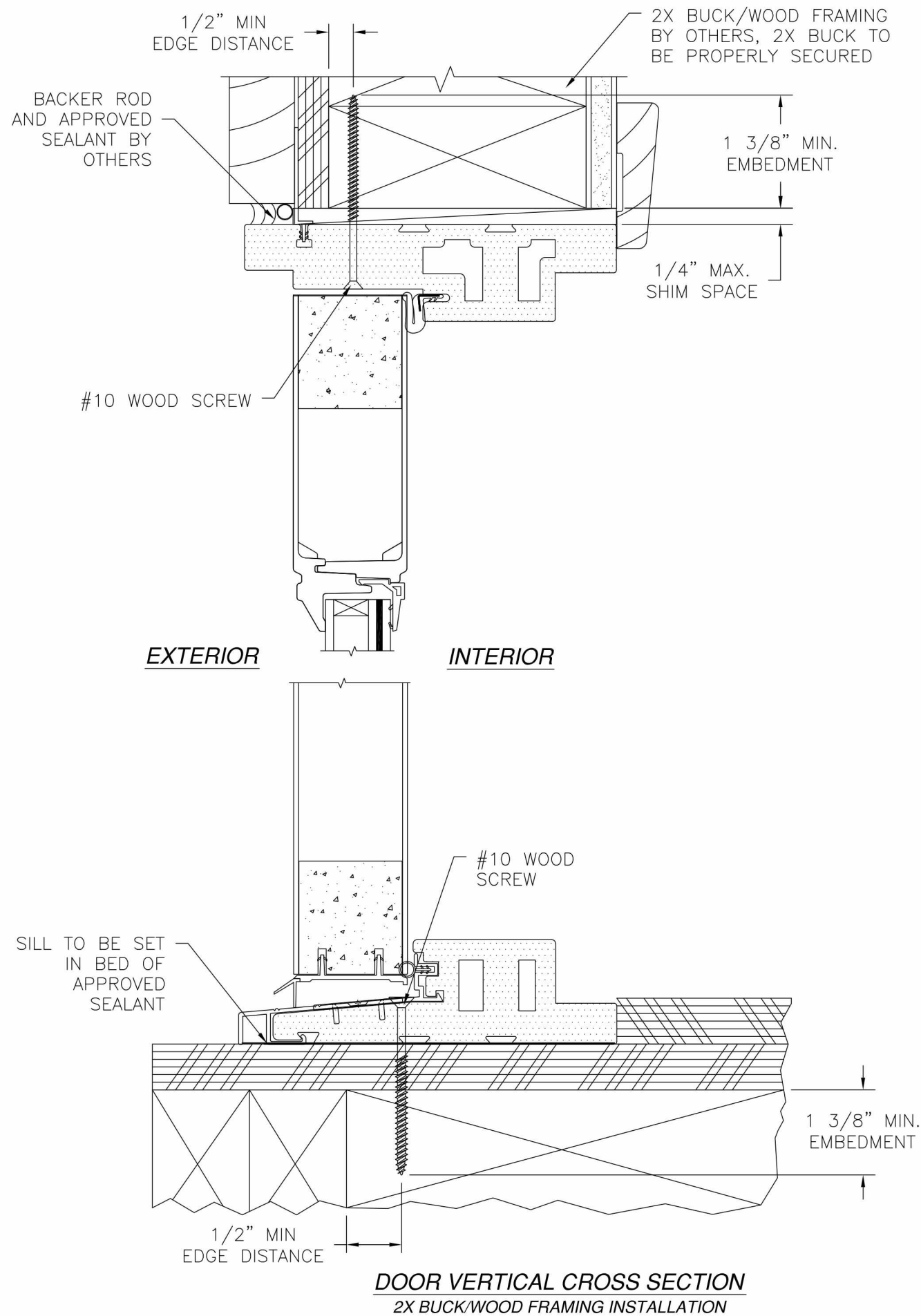
SIGNED: 02/02/2016

NAN YA PLASTICS CORP. USA
8989 NORTH LOOP EAST
HOUSTON, TX 77029

OUT-SWING ENTRANCE DOOR W/ & W/O SIDELITES
FIBERGLASS CLAD
INSTALLATION DETAILS

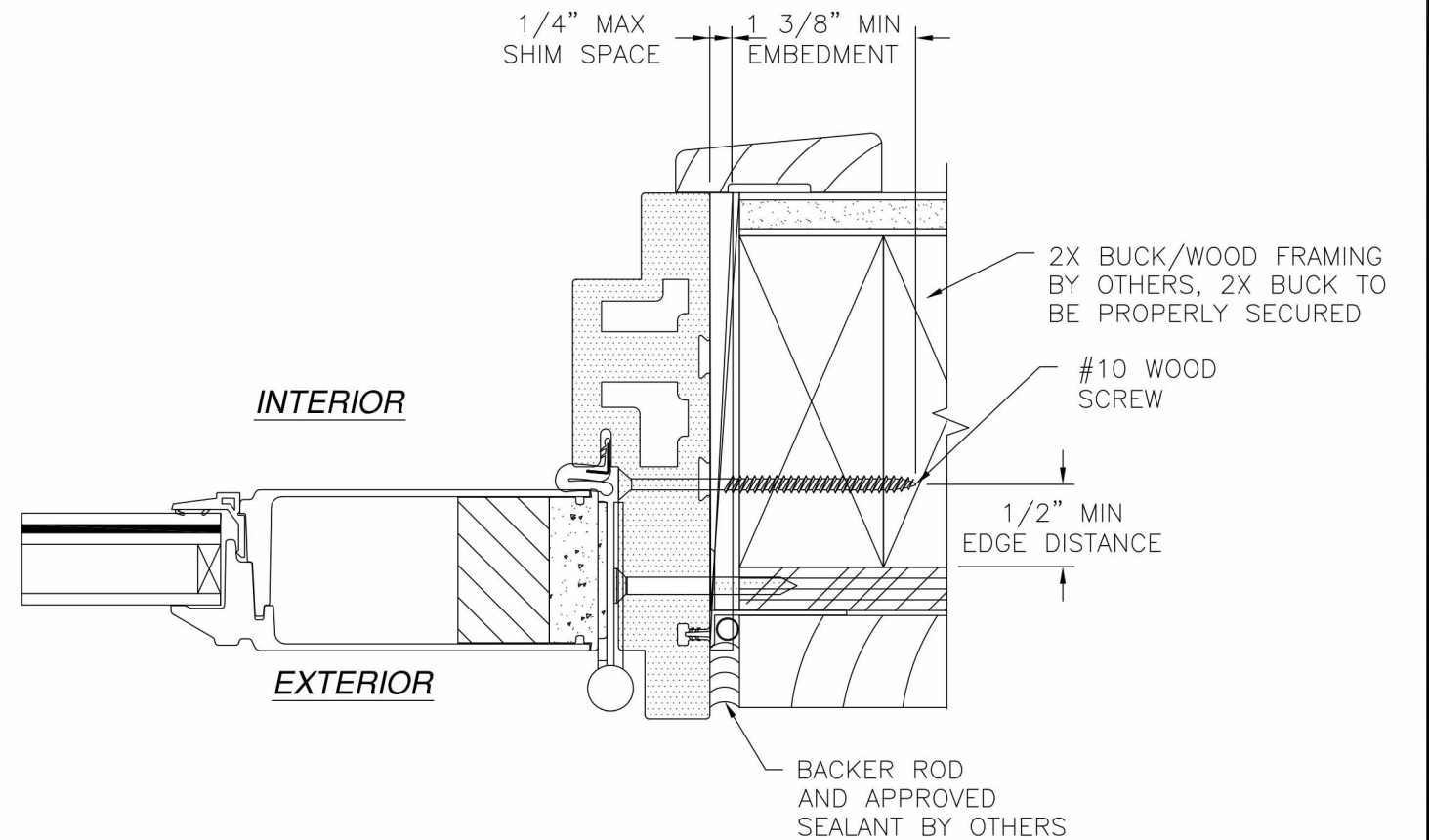
DRAWN: L. M. P.	DWG NO. 08-01532	REV C
SCALE NTS	DATE 04/09/2012	SHEET 7 OF 9





DOOR VERTICAL CROSS SECTION
2X BUCK/WOOD FRAMING INSTALLATION

REVISIONS			
REV	DESCRIPTION	DATE	APPROVED
A	REVISED PER NEW TESTING	11/21/12	R.L.
B	ADDED EDGE DISTANCES	11/05/14	R.L.
C	REVISED SIDELITE INSTALLATION DETAILS	05/14/15	R.L.

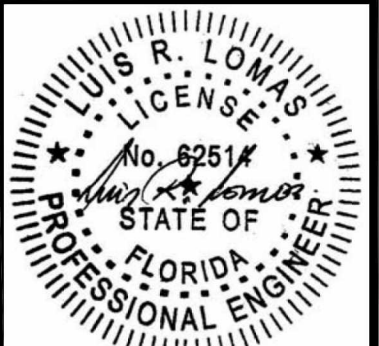


DOOR HORIZONTAL CROSS SECTION
2X BUCK/WOOD FRAMING INSTALLATION

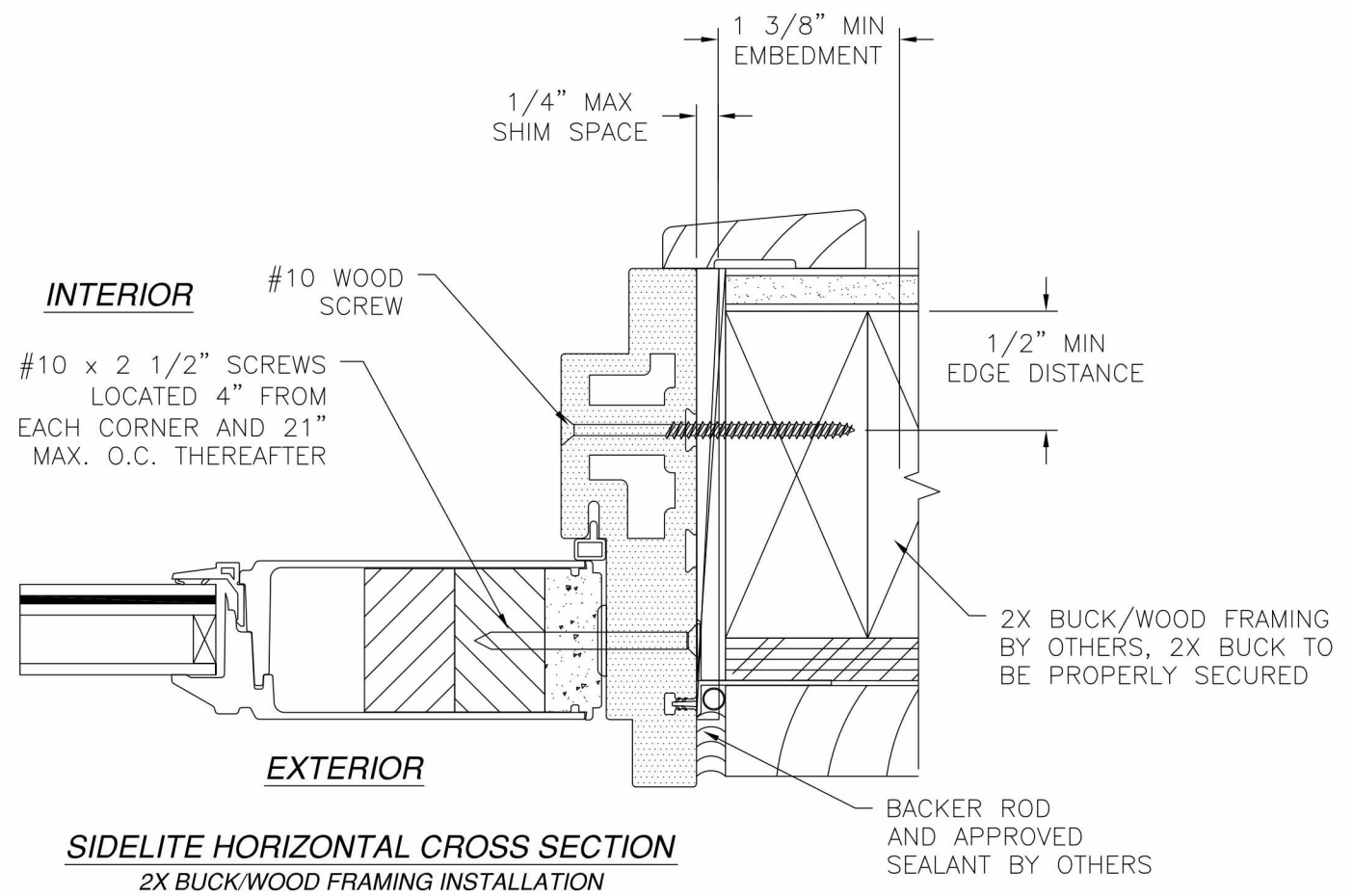
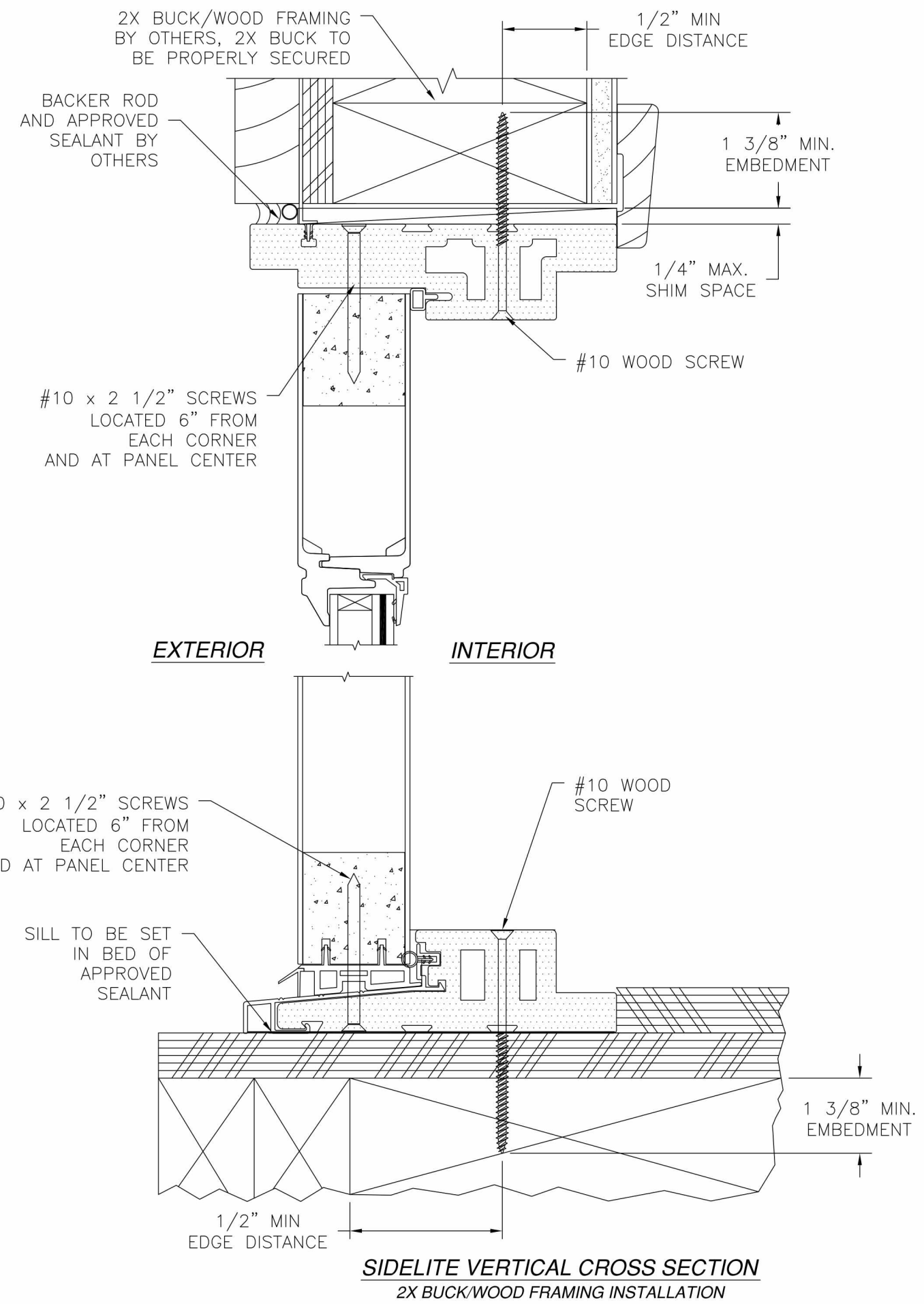
- NOTES:**
1. INTERIOR AND EXTERIOR FINISHES, BY OTHERS, NOT SHOWN FOR CLARITY.
 2. PERIMETER AND JOINT SEALANT BY OTHERS TO BE DESIGNED IN ACCORDANCE WITH ASTM E2112

SIGNED: 02/02/2016

NAN YA PLASTICS CORP. USA 8989 NORTH LOOP EAST HOUSTON, TX 77029		
OUT-SWING ENTRANCE DOOR W/ & W/O SIDELITES FIBERGLASS CLAD INSTALLATION DETAILS		
DRAWN: L. M. P.	DWG NO. 08-01532	REV C
SCALE NTS	DATE 04/09/2012	SHEET 8 OF 9



REVISIONS			
REV	DESCRIPTION	DATE	APPROVED
A	REVISED PER NEW TESTING	11/21/12	R.L.
B	ADDED EDGE DISTANCES	11/05/14	R.L.
C	REVISED SIDELITE INSTALLATION DETAILS	05/14/15	R.L.



NOTES:
 1. INTERIOR AND EXTERIOR FINISHES, BY OTHERS, NOT SHOWN FOR CLARITY.
 2. PERIMETER AND JOINT SEALANT BY OTHERS TO BE DESIGNED IN ACCORDANCE WITH ASTM E2112

SIGNED: 02/02/2016

NAN YA PLASTICS CORP. USA
 8989 NORTH LOOP EAST
 HOUSTON, TX 77029

OUT-SWING ENTRANCE DOOR W/ & W/O SIDELITES
 FIBERGLASS CLAD
 INSTALLATION DETAILS

DRAWN: L.M. P.	DWG NO. 08-01532	REV C
SCALE NTS	DATE 04/09/2012	SHEET 9 OF 9

